

# ARGO STORAGE BED

ASSEMBLY INSTRUCTION

12350-Q



Seller and Manufacturer disclaim all and any liability for property damage, personal injury, or loss, direct, indirect, or incidental, resulting from the incorrect assembly, inadequate maintenance, improper use, or neglect of this product.

## ! NOTICE

- Keep these assembly instructions for future reference.
- Do not use this product if there are missing parts, damaged, or broken until repairs are made and/or factory replacement parts are installed.
- Check all packing material carefully for small hardware that may have become loose inside the carton during shipment.
- Identify and count all hardware and parts to compare with parts and hardware list.
- Follow assembly instructions closely. Improper assembly can result in personal or property damage.
- Secure all bolts and screws before use.
- Every 90 days check all bolts and screws are secured.
- Some parts may have sharp corner or edges and may be heavy.
- Do not use or store this product near open flames or around flammable chemicals.
- When placing contents on non-carpeted flooring, it's recommended to use floor protection such as an area rug or furniture pads. These are not included with the purchase.

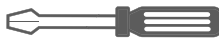
## REPLACEMENT PART OR HARDWARE REQUEST:

- Request a replacement by logging into the marketplace account in which the purchase was made and sending a message to the seller. To assist in expediting the request attach applicable images relevant to the request and/or part number and quantity.

## TOOLS REQUIRED:



ALLEN WRENCH  
(PROVIDED)



PHILLIPS SCREWDRIVER  
(NOT PROVIDED)



HAMMER/MALLET  
(NOT PROVIDED)

# HARDWARE

1



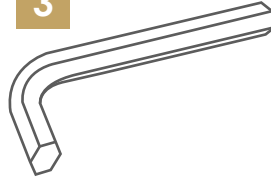
M6 x 40  
3 PCS

2



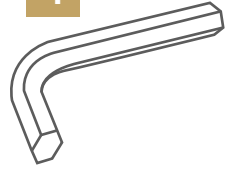
M6 x 50  
9 PCS

3



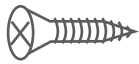
ALLEN KEY 100MM  
1 PC

4



ALLEN KEY 70MM  
1 PC

5



SCREW  
16MM  
64 PCS

6



SCREW  
25MM  
8 PCS

7



SCREW  
32MM  
46 PCS

8



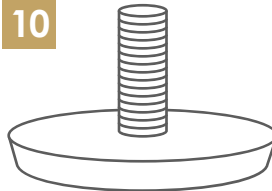
SCREW  
50MM  
32 PCS

9



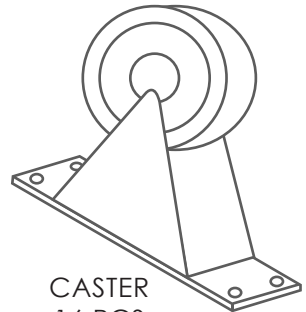
SPRING WASHER  
6 PCS

10



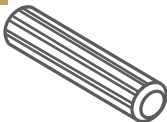
SUPPORT LEG ADJUSTER  
3 PCS

13



CASTER  
16 PCS

11



WOOD DOWEL  
8 PCS

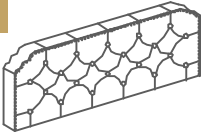
12



DRAWER STOPPER  
8 PCS

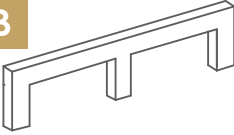
# ARGO STORAGE BED PARTS

**A**



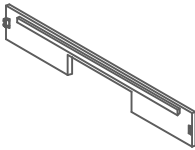
HEADBOARD 1 PC

**B**



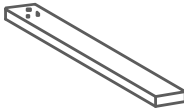
FOOTBOARD 1 PC

**C**



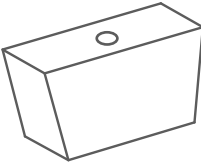
SIDE RAIL 2 PCS

**D**



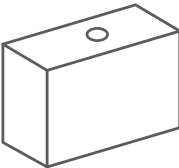
HEADBOARD LEG 2 PCS

**E**



FOOTBOARD  
SIDE LEG 2 PCS

**F**



FOOTBOARD  
CENTER LEG 1 PC

**G**



SLAT 3 PCS

**H**



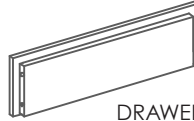
SUPPORT LEG 3 PCS

**I**



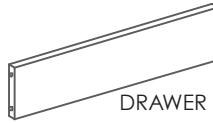
SIDE RAIL SUPPORT LEG 4 PCS

**J**



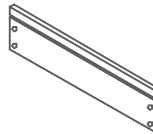
DRAWER FRONT PANEL 4 PCS

**K**



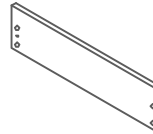
DRAWER BACK PANEL 4 PCS

**L**



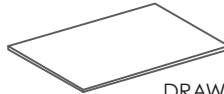
DRAWER LEFT SIDE  
PANEL 4 PCS

**M**



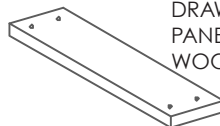
DRAWER RIGHT SIDE  
PANEL 4 PCS

**N**



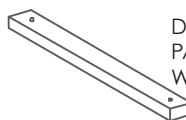
DRAWER BOTTOM  
PANEL 4 PCS

**O**



DRAWER BOTTOM  
PANEL BIG SUPPORT  
WOOD 8 PCS

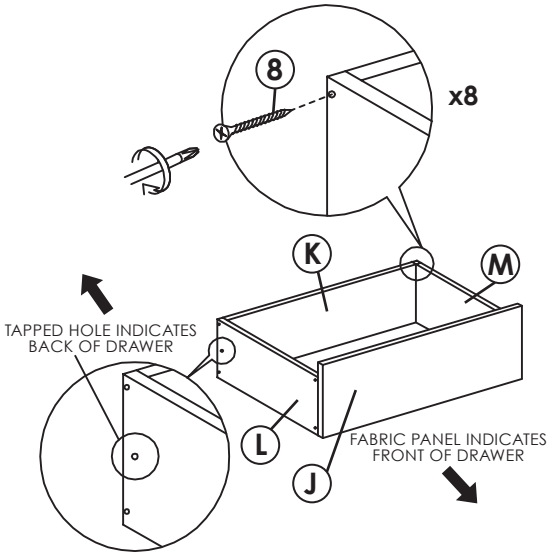
**P**



DRAWER BOTTOM  
PANEL SMALL SUPPORT  
WOOD 4 PCS

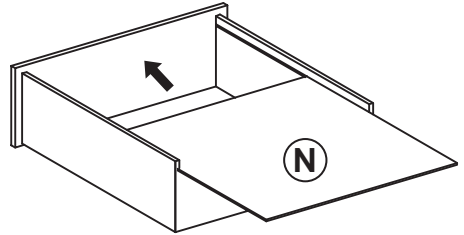
# ASSEMBLY INSTRUCTION

## STEP 1



## STEP 2

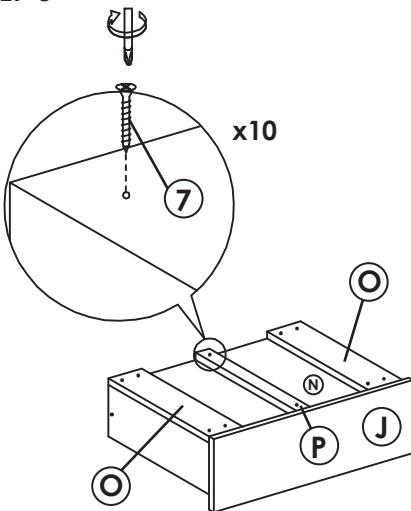
BOTTOM DRAWER VIEW



SLIDE PART N TOWARDS THE FRONT DRAWER

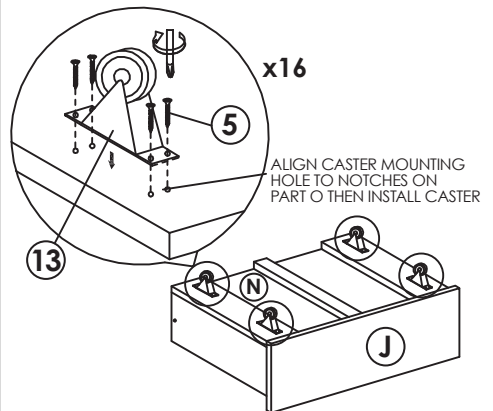
## STEP 3

BOTTOM DRAWER VIEW

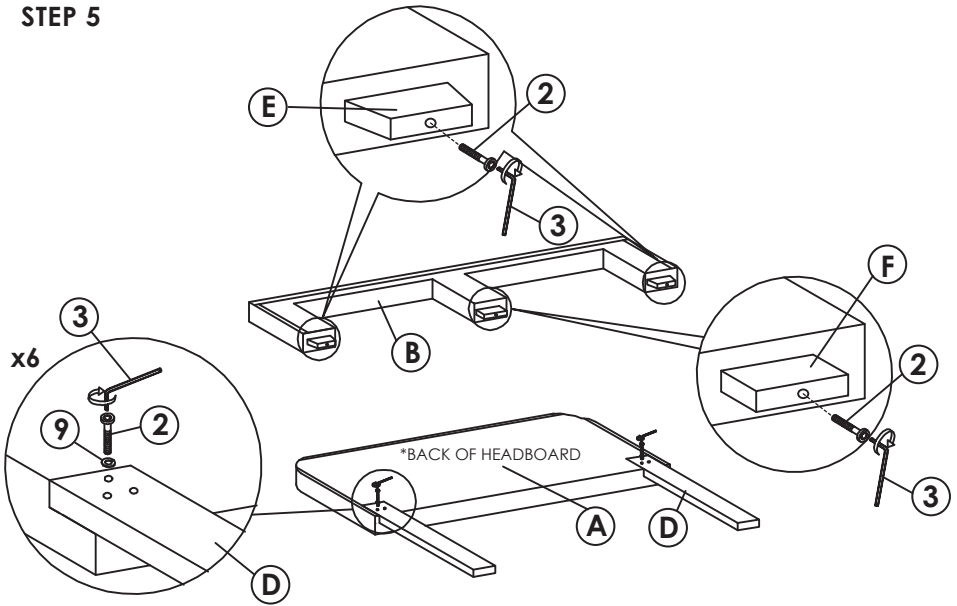


## STEP 4

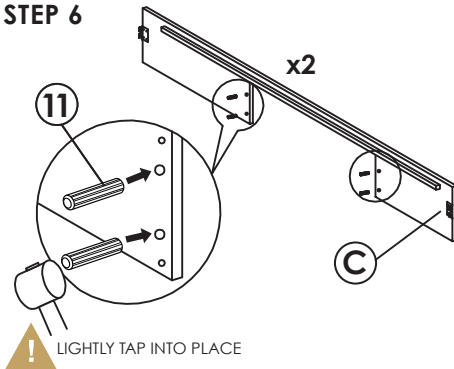
BOTTOM DRAWER VIEW



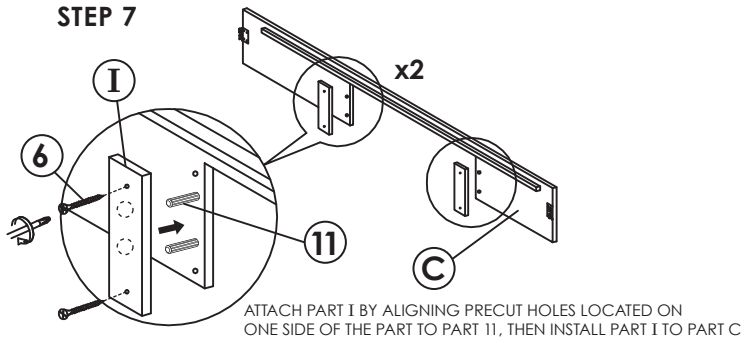
## STEP 5



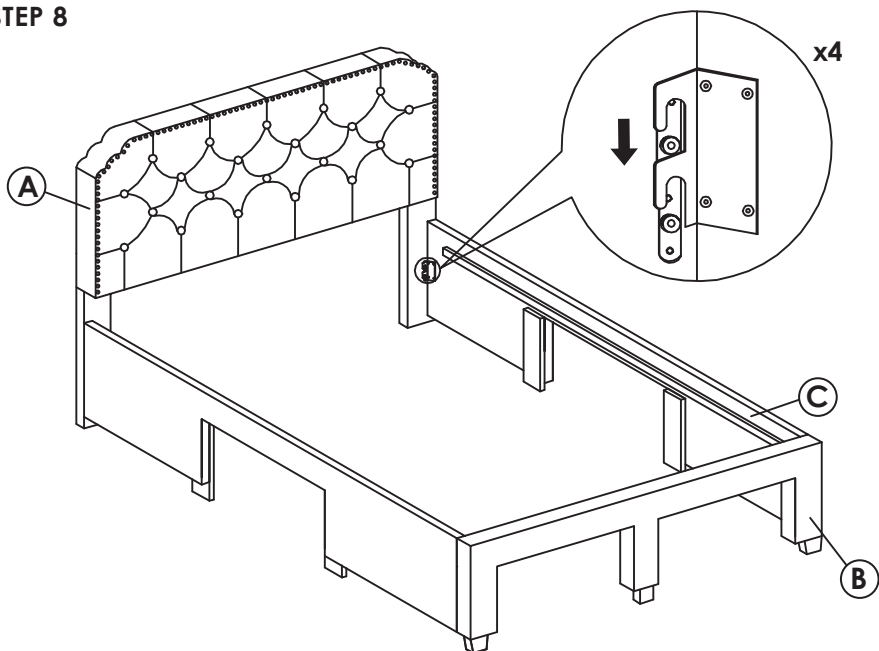
## STEP 6



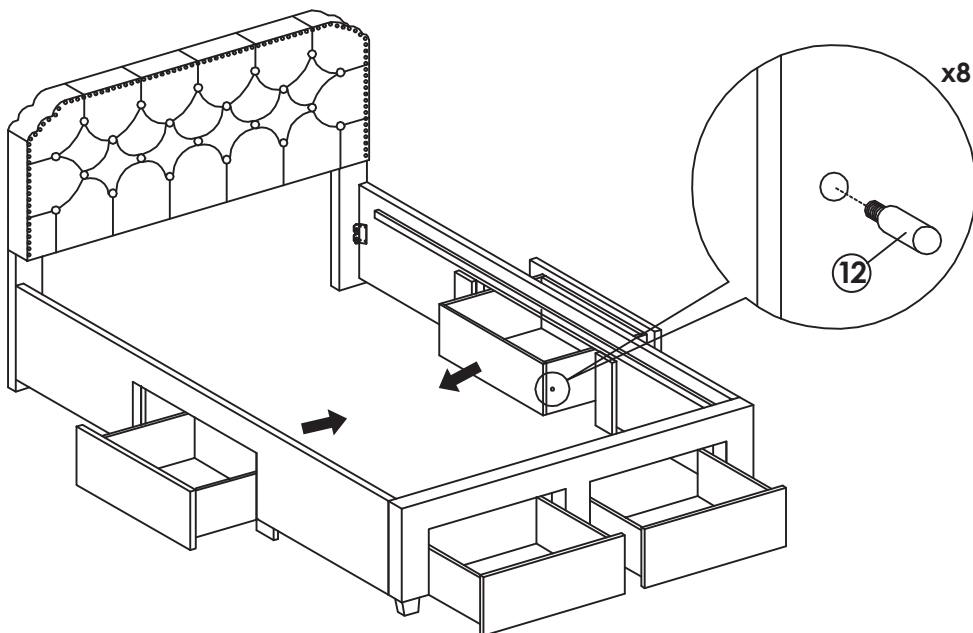
## STEP 7



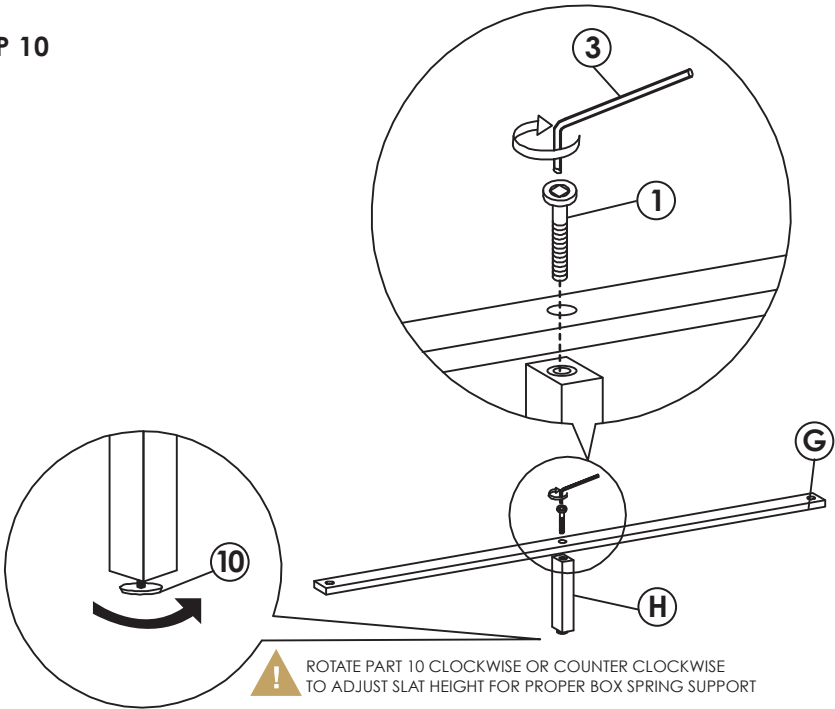
## STEP 8



## STEP 9



# STEP 10



# STEP 11

