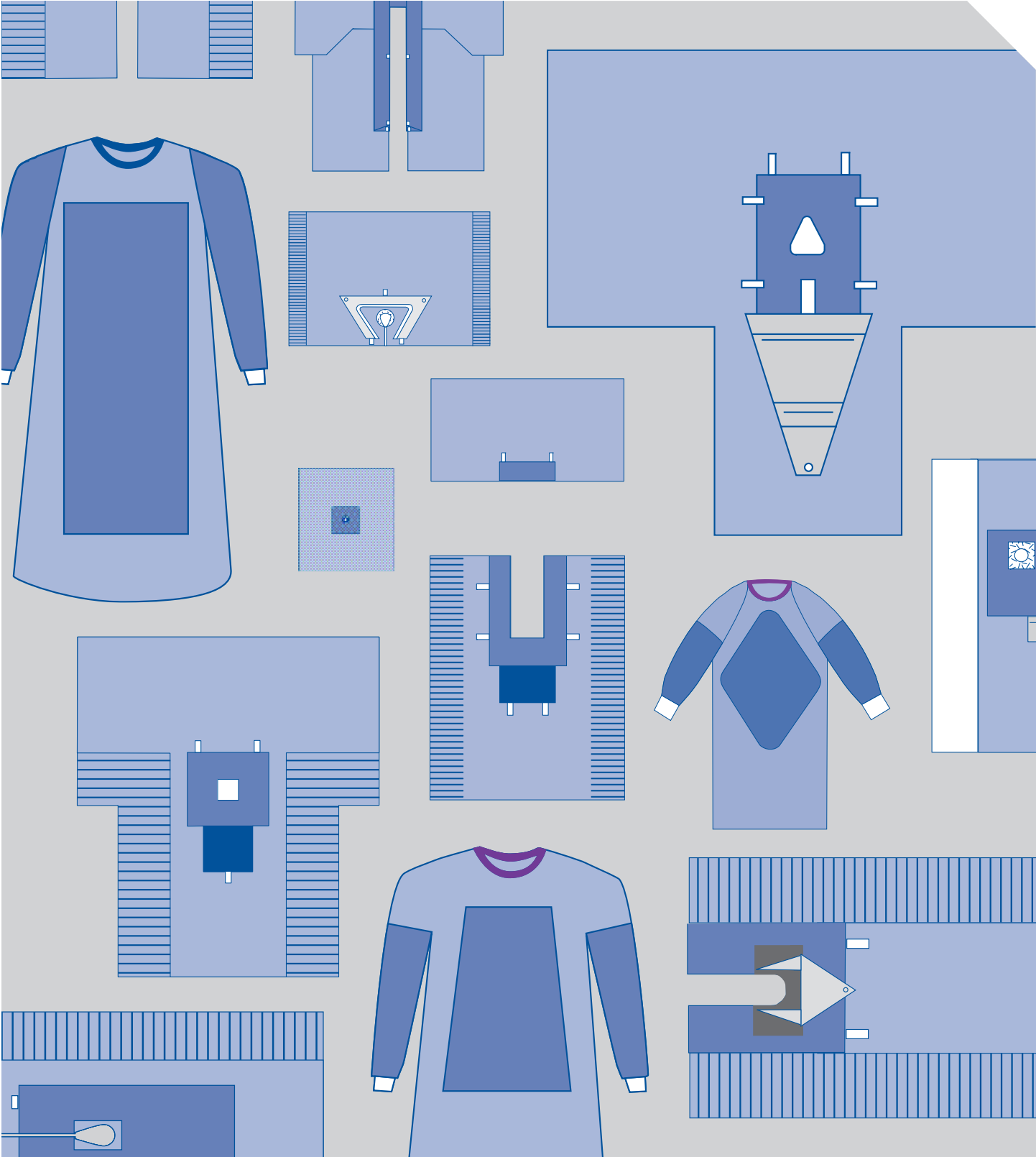


# Surgical Gowns, Drapes and Packs

Designed to optimize OR performance.



# Outfit your OR to perform with precision.

To meet the intense demands of the OR, you need protective gear you can count on. Our single-use surgical gowns and drapes are designed with a focus on safety, efficiency and comfort. So you can operate with confidence.



**Boost efficiency**  
with versatile  
options for every  
procedure.



**Promote safety**  
with high-tech  
materials that  
help protect  
against infection.



**Work comfortably**  
with stay-cool  
gowns that wick  
away heat and  
moisture.

## Contents

**Surgical Gowns**

**Surgical Drapes**

**Surgical Packs**

**Invisishield Drapes**

# Surgical Gowns

## Suit up for safety and comfort.

You perform at your peak with every procedure, and so should your surgical gowns. Engineered for high-performance, our surgical gowns undergo rigorous testing to meet and exceed AAMI industry standards.

- **Generously sized** for easier donning, greater comfort and freedom of movement.
- **Adjustable hook-and-loop neck closures** ensure an adjustable, gap-free fit.
- **High-tech, breathable fabrics** keep you cool and dry, especially during long procedures.
- **Wide range of sizes and lengths** offer versatile fit options for every shape.
- **Adhere to AAMI guidelines** as industry leading safety standards.

### Surgical Gowns

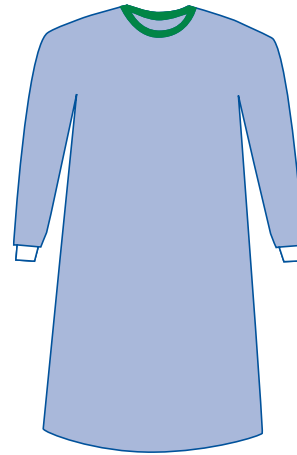
Eclipse® Surgical Gowns . . . . .	4-5
Sirus® Surgical Gowns . . . . .	6-7
Aurora® Surgical Gowns . . . . .	8-9
Prevention™ Plus Surgical Gowns . . . . .	10
Specialty Gowns . . . . .	10
Pink Surgical Gowns . . . . .	11

# Eclipse Surgical Gowns

Offers the most breathability for enhanced comfort during procedures.

## AAMI Level 2, Non-Reinforced

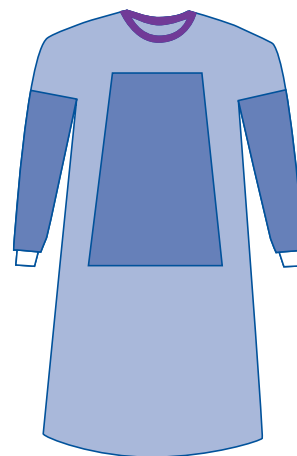
Item No.	Size	Non-Sterile Component	Pkg.
<b>Set-in Sleeve</b>			
DYNJP2005	Small (41", 104 cm)	SPT-2005E	30/cs
DYNJP2001	Large (43", 109 cm)	SPT-2001E	30/cs
DYNJP2002	X-Large (47", 119 cm)	SPT-2002E	30/cs
DYNJP2003	2X-Large (49", 124 cm)	SPT-2003E	18/cs
DYNJP2004	3X-Large (50", 127 cm)	SPT-2004E	18/cs
DYNJP2009	4X-Large (49", 124 cm)	SPT-2009E	18/cs



AAMI Level 2,  
Non-Reinforced,  
Set-in Sleeve

## AAMI Level 3, Fabric-Reinforced

Item No.	Size	Non-Sterile Component	Pkg.
<b>Set-in Sleeve</b>			
DYNJP2101	Large (43", 109 cm)	SPT-2101E	30/cs
DYNJP2102	X-Large (47", 119 cm)	SPT-2102E	30/cs
DYNJP2103	2X-Large (49", 124 cm)	SPT-2103E	18/cs



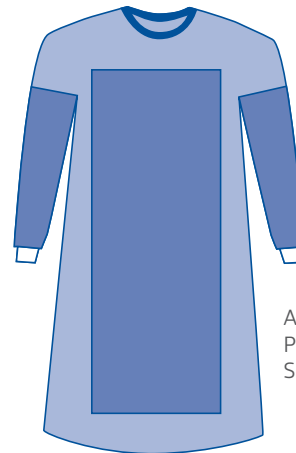
AAMI Level 3,  
Fabric-Reinforced,  
Set-in Sleeve

Surgical gowns are color-coded by fabric and reinforcement. ■ Fabric ■ Reinforcement

# Eclipse Surgical Gowns

## AAMI Level 4, Poly-Reinforced

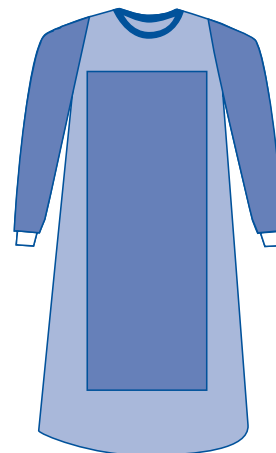
Item No.	Size	Non-Sterile Component	Pkg.
<b>Set-in Sleeve</b>			
DYNJP2201	Large (43", 109 cm)	SPT-2201E	30/cs
DYNJP2202	X-Large (47", 119 cm)	SPT-2202E	30/cs
DYNJP2203	2X-Large (49", 124 cm)	SPT-2203E	18/cs
<b>Set-in Sleeve, Extra-Long</b>			
DYNJP2204	Large (52", 132 cm)	SPT-2204E	28/cs
DYNJP2205	X-Large (56", 142 cm)	SPT-2205E	28/cs
DYNJP2206	2X-Large (56", 142 cm)	SPT-2206E	18/cs



AAMI Level 4, Poly-Reinforced, Set-in Sleeve

## AAMI Level 4, Poly-Reinforced, Breathable Film Sleeves

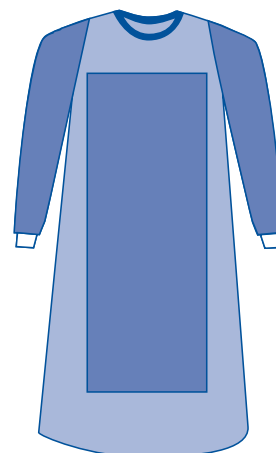
Item No.	Size	Non-Sterile Component	Pkg.
<b>Set-in Sleeve</b>			
DYNJP2207	Large (43", 109 cm)	SPT-2207E	30/cs
DYNJP2208	X-Large (47", 119 cm)	SPT-2208E	30/cs
DYNJP2209	2X-Large (49", 124 cm)	SPT-2209E	18/cs
DYNJP2212	3X-Large (50", 127 cm)	SPT-2212E	18/cs



AAMI Level 4, Poly-Reinforced, Set-in Sleeve

## Poly-Reinforced, Prevention-Plus™ Sleeves

Item No.	Size	Non-Sterile Component	Pkg.
<b>Set-in Sleeve</b>			
DYNJP2207P	Large (43", 109 cm)	SPT-2207PCZ	30/cs
DYNJP2208P	X-Large (47", 119 cm)	SPT-2208PCZ	30/cs
DYNJP2209P	2X-Large (49", 124 cm)	SPT-2209PCZ	18/cs
DYNJP2212P	3X-Large (50", 127 cm)	SPT-2212PCZ	18/cs
<b>Set-in Sleeve, Extra-Long</b>			
DYNJP2227P	Large (52", 132 cm)	SPT-2227PCZ	20/cs
DYNJP2228P	X-Large (56", 142 cm)	SPT-2228PCZ	20/cs
DYNJP2229P	2X-Large (56", 142 cm)	SPT-2229PCZ	18/cs
DYNJP2212PL	3X-Large (56", 142 cm)	SPT-2212PLCZ	18/cs



Poly-Reinforced, Set-in Sleeve

Surgical gowns are color-coded by fabric and reinforcement. ■ Fabric ■ Reinforcement

# Sirus Surgical Gowns

High-tech SMS fabric offers dependable barrier protection against fluid transmission.

## AAMI Level 3, Non-Reinforced

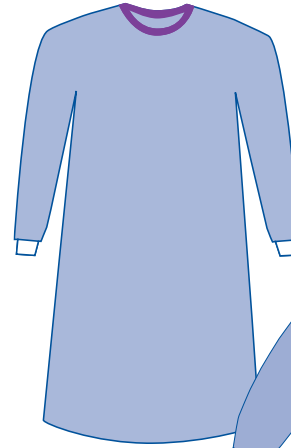
Item No.	Size	Non-Sterile Component	Pkg.
<b>Set-in Sleeve</b>			
DYNJP2005S	Small (41", 104 cm)	SPT-2005SMS	30/cs
DYNJP2001S	Large (43", 109 cm)	SPT-2001SMS	20/cs
DYNJP2002S	X-Large (47", 119 cm)	SPT-2002SMS	20/cs
DYNJP2003S	2X-Large (49", 124 cm)	SPT-2003SMS	18/cs
DYNJP2004S	3X-Large (49", 124 cm)	SPT-2004SMS	18/cs
DYNJP2009S	4X-Large (49", 124 cm)	SPT-2009SMS	18/cs

### Set-in Sleeve, Extra-Long

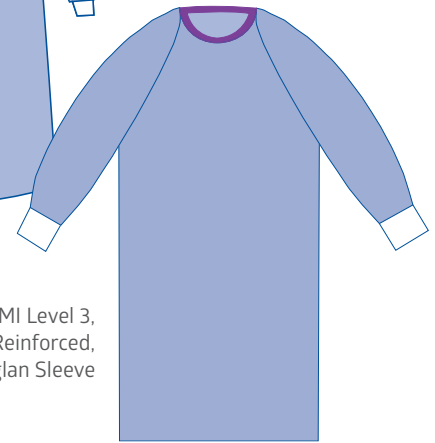
DYNJP2002SL	X-Large (56", 142 cm)	SPT-2002SL	20/cs
DYNJP2003SL	2X-Large (56", 142 cm)	SPT-2003SL	18/cs

### Raglan Sleeve

DYNJP2401	Large (45", 114 cm)	SPT-2401SMS	32/cs
DYNJP2402	X-Large (48", 122 cm)	SPT-2402SMS	30/cs
DYNJP2403	2X-Large (50", 127 cm)	SPT-2403SMS	28/cs



AAMI Level 3,  
Non-Reinforced,  
Set-in Sleeve



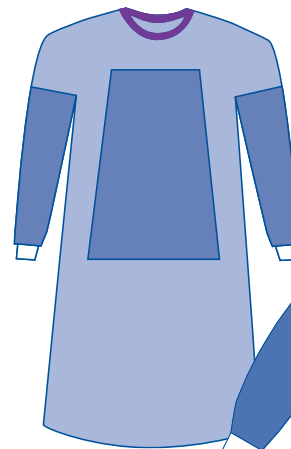
AAMI Level 3,  
Non-Reinforced,  
Raglan Sleeve

## AAMI Level 3, Fabric-Reinforced

Item No.	Size	Non-Sterile Component	Pkg.
<b>Set-in Sleeve</b>			
DYNJP2101S	Large (43", 109 cm)	SPT-2101SMS	20/cs
DYNJP2102S	X-Large (47", 119 cm)	SPT-2102SMS	20/cs
DYNJP2103S	2X-Large (49", 124 cm)	SPT-2103SMS	18/cs

### Raglan Sleeve

DYNJP2501	Large (45", 114 cm)	SPT-2501SMS	30/cs
DYNJP2502	X-Large (48", 122 cm)	SPT-2502SMS	28/cs
DYNJP2503	2X-Large (50", 127 cm)	SPT-2503SMS	28/cs



AAMI Level 3,  
Fabric-Reinforced,  
Set-in Sleeve



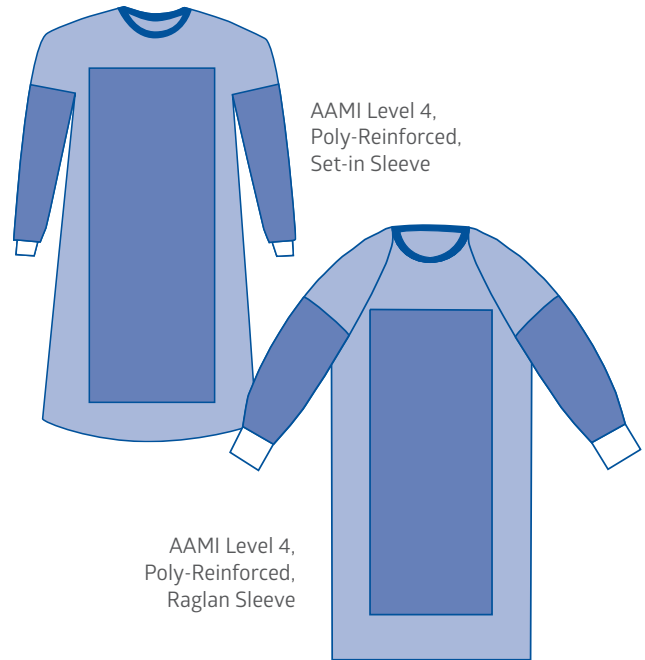
AAMI Level 3,  
Fabric-Reinforced,  
Raglan Sleeve

Surgical gowns are color-coded by fabric and reinforcement. ■ Fabric ■ Reinforcement

# Sirus Surgical Gowns

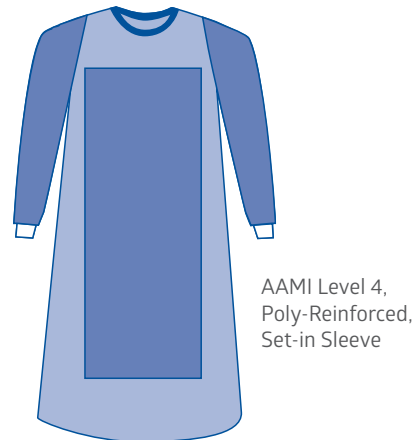
## AAMI Level 4, Poly-Reinforced

Item No.	Size	Non-Sterile Component	Pkg.
<b>Set-in Sleeve</b>			
DYNJP2201S	Large (43", 109 cm)	SPT-2201SMS	20/cs
DYNJP2202S	X-Large (47", 119 cm)	SPT-2202SMS	20/cs
DYNJP2203S	2X-Large (49", 124 cm)	SPT-2203SMS	18/cs
<b>Set-in Sleeve, Extra-Long</b>			
DYNJP2204S	Large (52", 132 cm)	SPT-2204SMS	20/cs
DYNJP2205S	X-Large (56", 142 cm)	SPT-2205SMS	20/cs
DYNJP2206S	2X-Large (56", 142 cm)	SPT-2206SMS	18/cs
DYNJP2219SL	3X-Large (56", 142 cm)	SPT-2219SL	18/cs
<b>Raglan Sleeve</b>			
DYNJP2601	Large (43", 109 cm)	SPT-2601SMS	32/cs
DYNJP2602	X-Large (48", 122 cm)	SPT-2602SMS	30/cs
DYNJP2603	2X-Large (50", 127 cm)	SPT-2603SMS	28/cs



## AAMI Level 4, Poly-Reinforced, Breathable Film Sleeves

Item No.	Size	Non-Sterile Component	Pkg.
<b>Set-in Sleeve</b>			
DYNJP2207S	Large (43", 109 cm)	SPT-2207SMS	30/cs
DYNJP2208S	X-Large (47", 119 cm)	SPT-2208SMS	30/cs
DYNJP2209S	2X-Large (49", 124 cm)	SPT-2209SMS	18/cs
<b>Set-in Sleeve, Extra-Long</b>			
DYNJP2227S	Large, (52", 132 cm)	SPT-2227SMS	20/cs
DYNJP2228S	X-Large, (56", 142 cm)	SPT-2228SMS	20/cs
DYNJP2229S	2X-Large, (56", 142 cm)	SPT-2229SMS	18/cs
DYNJP2212SL	3X-Large, (56", 142 cm)	SPT-2212SL	18/cs



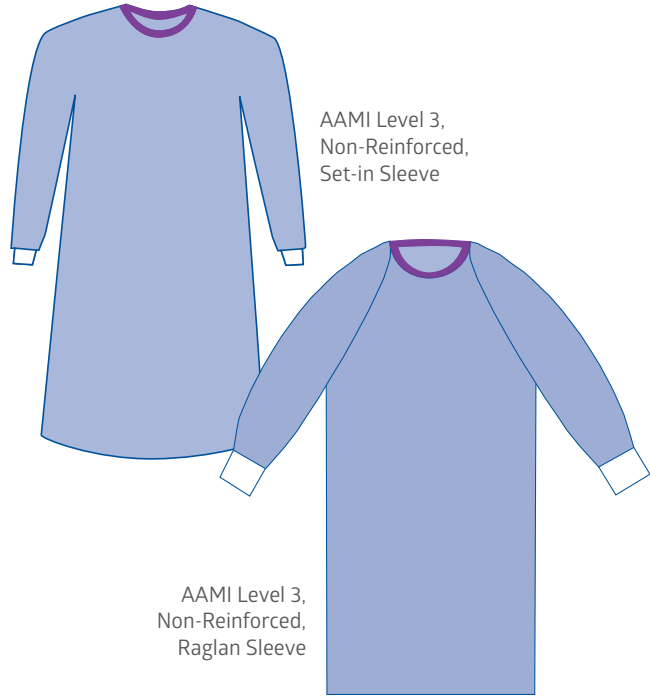
Surgical gowns are color-coded by fabric and reinforcement. ■ Fabric ■ Reinforcement

# Aurora Surgical Gowns

Premium fabric ensures cool comfort and reliable protection with maximum breathability.

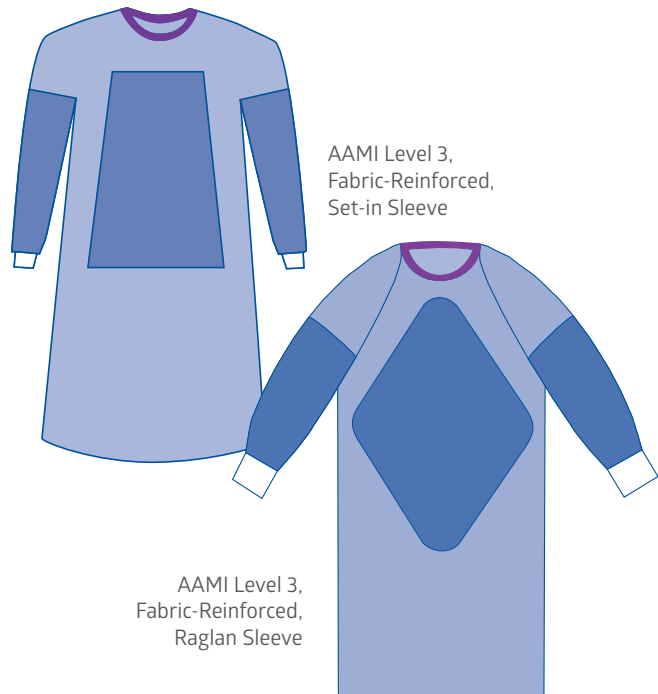
## AAMI Level 3, Non-Reinforced

Item No.	Size	Non-Sterile Component	Pkg.
<b>Set-in Sleeve</b>			
DYNJP2715	Small (41", 104 cm)	SPT-2715K	30/cs
DYNJP2701	Large (43", 109 cm)	SPT-2701K	30/cs
DYNJP2702	X-Large (47", 119 cm)	SPT-2702K	30/cs
DYNJP2703	2X-Large (49", 124 cm)	SPT-2703K	18/cs
<b>Raglan Sleeve</b>			
DYNJP2801	Large (45", 114 cm)	SPT-2801K	32/cs
DYNJP2802	X-Large (48", 122 cm)	SPT-2802K	30/cs
DYNJP2803	2X-Large (50", 127 cm)	SPT-2803K	28/cs



## AAMI Level 3, Fabric-Reinforced

Item No.	Size	Non-Sterile Component	Pkg.
<b>Set-in Sleeve</b>			
DYNJP2704	Large (43", 109 cm)	SPT-2704K	30/cs
DYNJP2705	X-Large (47", 119 cm)	SPT-2705K	30/cs
DYNJP2706	2X-Large (49", 124 cm)	SPT-2706K	18/cs
<b>Raglan Sleeve</b>			
DYNJP2804	Large (45", 114 cm)	SPT-2804K	30/cs
DYNJP2805	X-Large (48", 122 cm)	SPT-2805K	28/cs
DYNJP2806	2X-Large (50", 127 cm)	SPT-2806K	28/cs



Surgical gowns are color-coded by fabric and reinforcement. ■ Fabric ■ Reinforcement



# Aurora Surgical Gowns

## AAMI Level 4, Poly-Reinforced

Item No.	Size	Non-Sterile Component	Pkg.
<b>Set-in Sleeve</b>			
DYNJP2707	Large (43", 109 cm)	SPT-2707K	30/cs
DYNJP2708	X-Large (47", 119 cm)	SPT-2708K	30/cs
DYNJP2709	2X-Large (49", 124 cm)	SPT-2709K	18/cs
<b>Set-in Sleeve, Extra-Long</b>			
DYNJP2724	Large (52", 132 cm)	SPT-2724K	28/cs
DYNJP2725	X-Large (56", 142 cm)	SPT-2725K	28/cs
DYNJP2726	2X-Large (56", 142 cm)	SPT-2726K	18/cs
<b>Raglan Sleeve</b>			
DYNJP2807	Large (45", 114 cm)	SPT-2807K	32/cs
DYNJP2808	X-Large (48", 122 cm)	SPT-2808K	30/cs
DYNJP2809	2X-Large (50", 127 cm)	SPT-2809K	28/cs

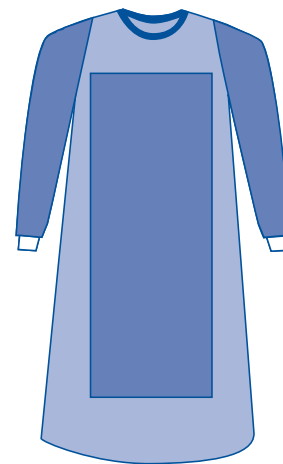


AAMI Level 4,  
Poly-Reinforced,  
Set-in Sleeve

AAMI Level 4,  
Poly-Reinforced,  
Raglan Sleeve

## AAMI Level 4, Poly-Reinforced, Breathable Film Sleeves

Item No.	Size	Non-Sterile Component	Pkg.
<b>Set-in Sleeve</b>			
DYNJP2727	Large (43", 109 cm)	SPT-2727K	30/cs
DYNJP2728	X-Large (47", 119 cm)	SPT-2728K	30/cs
DYNJP2729	2X-Large (49", 124 cm)	SPT-2729K	18/cs
DYNJP2712	3X-Large (49", 124 cm)	SPT-2712K	18/cs



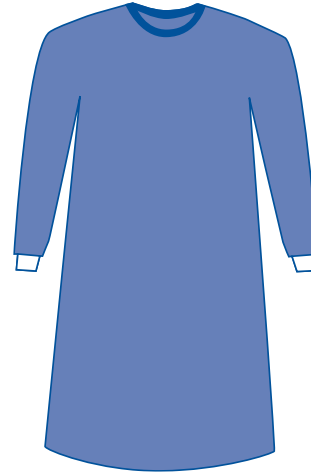
AAMI Level 4,  
Poly-Reinforced,  
Set-in Sleeve

Surgical gowns are color-coded by fabric and reinforcement. ■ Fabric ■ Reinforcement

# Prevention™ Plus Surgical Gowns

Prevention Plus material technology allows heat and moisture to escape and can help to reduce the risk of contaminants passing through the material.

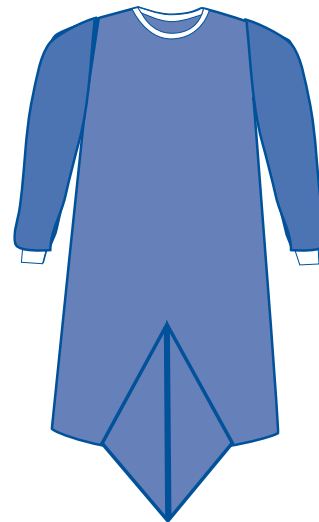
Item No.	Size	Non-Sterile Component	Pkg.
<b>Set-in Sleeve</b>			
DYNJP2306P	Large (43", 109 cm)	SPT-2306PTM	24/cs
DYNJP2307P	X-Large (47", 119 cm)	SPT-2307PTM	24/cs
DYNJP2308P	2X-Large (49", 124 cm)	SPT-2308PTM	22/cs
DYNJP2309P	4X-Large (49", 124 cm)	SPT-2309PTM	20/cs
<b>Set-in Sleeve, Extra-Long</b>			
DYNJP2301P	Large (45", 109 cm)	19310PTM	24/cs
DYNJP2302P	X-Large (56", 142 cm)	21394PTM	24/cs
DYNJP2303P	2X-Large (56", 142 cm)	SPT-2303PTM	22/cs



Set-in Sleeve

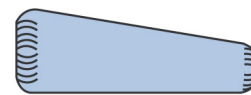
## Specialty Gowns

Item No.	Size	Non-Sterile Component	Pkg.
<b>Breathable Film Gown with Pleat</b>			
DYNJP2304	X-Large (52.5", 133 cm)	SPT-2304	30/cs



Breathable Film Gown with Pleat

Item No.	Size	Non-Sterile Component	Pkg.
<b>Eclipse Gown Sleeve</b>			
DYNJP2000	23" (58 cm)	66600	60/cs



Eclipse Gown Sleeve

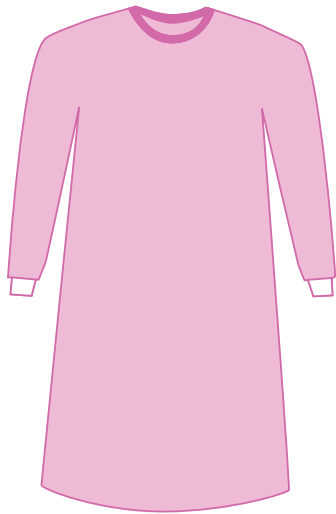
Surgical gowns are color-coded by fabric and reinforcement. ■ Fabric ■ Reinforcement

# Pink Surgical Gowns

## Show you care.

**One in eight women will be diagnosed with breast cancer in her lifetime.<sup>1</sup>** It's a disease that touches our community of family, friends and caregivers. We're committed to increasing awareness and promoting early detection of breast cancer among healthcare professionals and our employees to help increase chances of survival.

So we're taking action with our Community Impact Grant Program for Breast Cancer Awareness. When you wear our pink surgical gowns, you help support our mission by honoring the strength and courage of patients, survivors and caregivers facing cancer. Find more information at <https://www.medline.com/pages/community-impact-grant/>.



Themed pass cards. Collect all 5 and display them for staff and patients.

### AAMI Level 3, Non-Reinforced

Item No.	Size	Non-Sterile Component	Pkg.
PINK2001S	Large (43", 109 cm)	N/A	20/cs
PINK2002S	X-Large (47", 119 cm)	N/A	20/cs
PINK2003S	2X-Large (49", 124 cm)	N/A	18/cs

Reference: 1. Centers for Disease Control. Available at: [http://www.breastcancer.org/symptoms/understand\\_bc/statistics](http://www.breastcancer.org/symptoms/understand_bc/statistics).

# Surgical Drapes and Packs

## Easy prep with every pack for a safe standard of care—facility wide.

Simplify your setup with surgical packs that help streamline inventory, control costs and consolidate the ordering process. Find everything you need for a procedure in one place.

- **Hook-and-loop line holders** secure the drape and are easy to remove—even with gloves
- **Wide anesthesia screens** accommodate larger patients comfortably
- **Hand-applied premium tape and incise film** offer precise coverage to help prevent pooling
- **Convenient, non-slip** pads help keep instruments in place
- **Reinforced zones meet AAMI and ASTM standards** for absorption and safety
- **Not made** with natural rubber latex

### Surgical Drapes and Packs\*

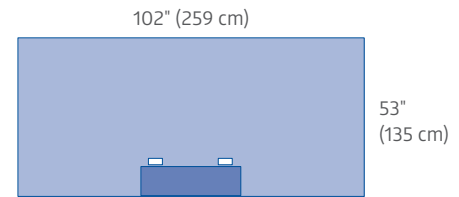
Basic and Universal .....	13–30	Arthroscopy Procedures .....	86–90
Laparotomy Procedures .....	31–43	Hip Procedures .....	91–93
Cardiovascular Procedures .....	44–55	General Orthopedic Procedures .....	94–98
Cystoscopy Procedures .....	56–61	Shoulder Procedures .....	99–106
Obstetrics Procedures .....	62–72	Lithotomy/Laparoscopy Procedures .....	107–118
EENT/Ophthalmology Procedures .....	73–78	OrthoMax/CVMax Procedures .....	119–125
Extremity Procedures .....	79–85	UltraGard Procedures .....	126–130

# Basic and Universal Drapes

## Top Drape

- Absorbent reinforcement, 29" x 10" (74 x 25 cm)
- Hook-and-loop line holders
- Adhesive along reinforced edge

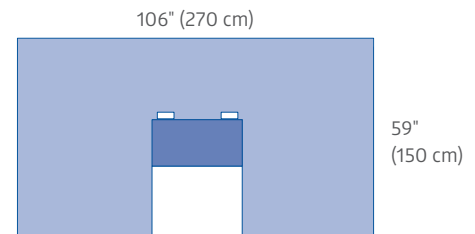
Item No.	Size	Non-Sterile Component	Pkg.
DYNJP4002	102" x 53" (259 x 135 cm)	SPT-4205A	14/cs



## Top Drape with Armboard Covers

- Absorbent reinforcement, 24" x 16" (61 x 41 cm)
- Split, 24" x 19" (61 x 48 cm); with 2" (5 cm) wide adhesive,
- Hook-and-loop line holders

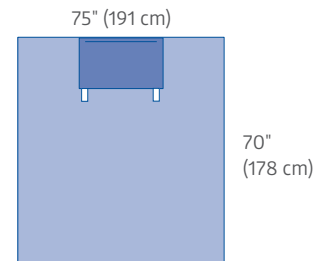
Item No.	Size	Non-Sterile Component	Pkg.
DYNJP4215	106" x 59" (270 x 150 cm)	SPT-4215A	20/cs



## Bottom Drape

- Absorbent reinforcement, 29" x 16" (74 x 41 cm)
- Adhesive along reinforced edge
- Hook-and-loop line holders

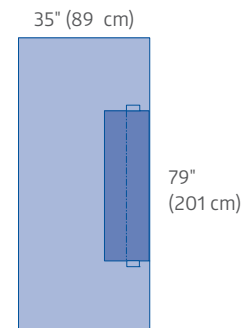
Item No.	Size	Non-Sterile Component	Pkg.
N/A	75" x 70" (191 x 178 cm)	SPT-4206A	N/A



## Side Drape

- Absorbent reinforcement, 8" x 40" (20 x 102 cm)
- Adhesive along reinforced edge
- Fabric trough, 4" x 40" (10 x 102 cm)
- Clipping tabs

Item No.	Size	Non-Sterile Component	Pkg.
N/A	35" x 79" (89 x 201 cm)	SPT-4207A	N/A



Drapes and gowns are not made with natural rubber latex or sterile unless indicated in the description.

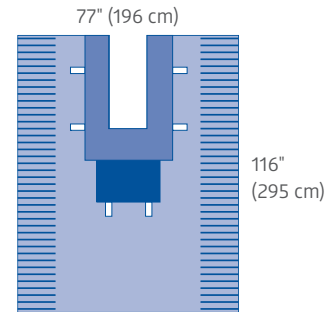
Clear
  Foam
  Plastic
  Reinforcement
  Fabric
  Side Plastic
  Incise
  Pouches
  Mesh

# Basic and Universal Drapes

## Universal Split Drapes

- Absorbent reinforcement, 23" x 40" (58 x 102 cm)
- Instrument pad
- Hook-and-loop line holders

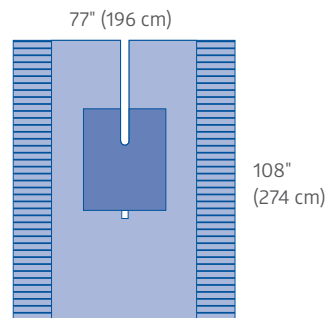
Item No.	Size	Non-Sterile Component	Pkg.
N/A	Drape, 77" x 116" (196 x 295 cm); Split with Adhesive, 12" x 30" (30 x 76 cm)	SPT-2453A	N/A
N/A	Drape, 77" x 116" (196 x 295 cm); Split with Adhesive, 9" x 30" (23 x 76 cm)	SPT-2453S	N/A



## Split Drape with Adhesive

- Absorbent reinforcement, 36" x 29" (91 x 74 cm)
- Split with adhesive, 2.5" x 37" (6 x 94 cm)
- Hook-and-loop line holder

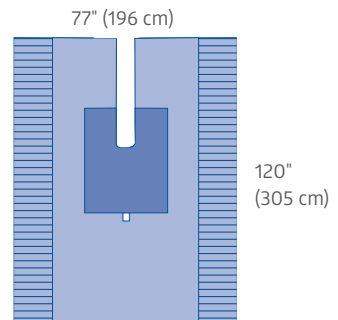
Item No.	Size	Non-Sterile Component	Pkg.
DYNJP2498	77" x 108" (196 x 274 cm)	SPT-2450A	10/cs



## Split Drape with Adhesive

- Absorbent reinforcement, 24" x 48" (61 x 122 cm)
- Split with adhesive, 4" x 40" (10 x 102 cm)
- Anti-slip foam backing strips
- Hook-and-loop line holder

Item No.	Size	Non-Sterile Component	Pkg.
DYNJP8304A	77" x 120" (196 x 305 cm)	SPT-2458A	10/cs



## Medi-Slush Surgical Drape

- Made from polyurethane polymer to provide maximum flexibility and conformability

Item No.	Size	Non-Sterile Component	Pkg.
DYNJP2497	44" x 44" (112 x 112 cm)	N/A	40/cs
DYNJP2497XL	44" x 66" (112 x 168 cm)	N/A	40/cs

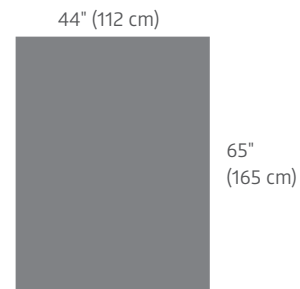
Drapes and gowns are not made with natural rubber latex or sterile unless indicated in the description.

Clear
  Foam
  Plastic
  Reinforcement
  Fabric
  Side Plastic
  Incise
  Pouches
  Mesh

# Basic and Universal Drapes

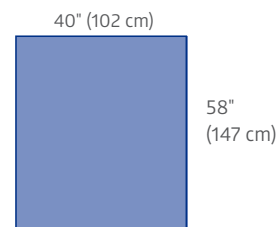
## Film Drape Sheet

Item No.	Size	Non-Sterile Component	Pkg.
DYNJP2418	44" x 65" (112 x 165 cm)	SPT-2491	20/cs



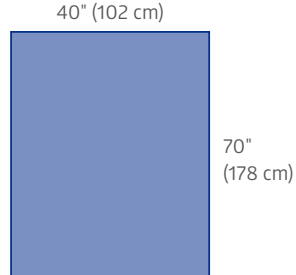
## Half Drape Sheets

Item No.	Size	Non-Sterile Component	Pkg.
DYNJP2410	Standard, 40" x 58" (102 x 147 cm)	14185A	20/cs
DYNJP2411	Economy, Wetlaid, 40" x 58" (102 x 147 cm)	08902	20/cs



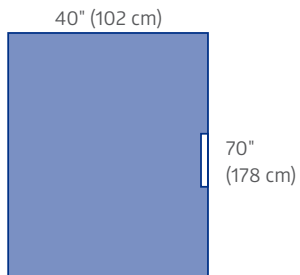
## Medium Drape Sheets

Item No.	Size	Non-Sterile Component	Pkg.
DYNJP2412	Standard, 40" x 70" (102 x 178 cm)	09440A	20/cs



## Medium Drape Sheet with Tape

Item No.	Size	Non-Sterile Component	Pkg.
DYNJP2412T	40" x 70" (102 x 178 cm)	SPT-2412TA	50/cs



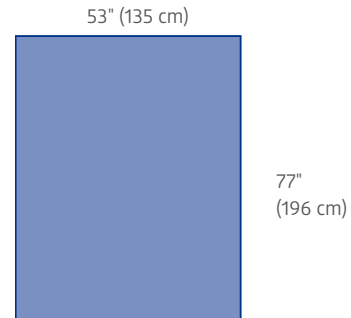
Drapes and gowns are not made with natural rubber latex or sterile unless indicated in the description.

Clear
  Foam
  Plastic
  Reinforcement
  Fabric
  Side Plastic
  Incise
  Pouches
  Mesh

# Basic and Universal Drapes

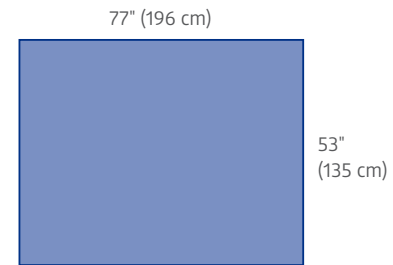
## Three-Quarter Drape Sheets

Item No.	Size	Non-Sterile Component	Pkg.
DYNJP2414	Standard, 53" x 77" (135 x 196 cm)	14184A	20/cs
DYNJP2415	Economy, Wetlaid, 53" x 77" (135 x 196 cm)	15648	20/cs



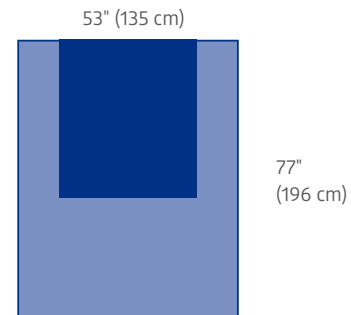
## Three-Quarter Drape Sheet with Reverse Fold

Item No.	Size	Non-Sterile Component	Pkg.
DYNJP2414R	77" x 53" (196 x 135 cm)	14184RA	20/cs



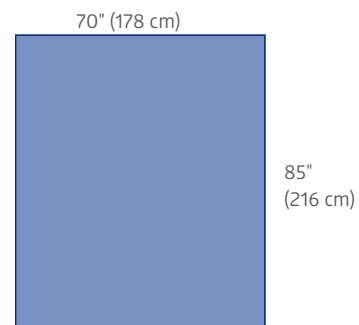
## Reinforced Three-Quarter Drape Sheet

Item No.	Size	Non-Sterile Component	Pkg.
DYNJP2416	Drape, 53" x 77" (135 x 77 cm); Absorbent Reinforcement, 23" x 44" (58 x 112 cm)	07164A	20/cs



## Large Drape Sheet

Item No.	Size	Non-Sterile Component	Pkg.
DYNJP2417	70" x 85" (178 x 216 cm)	SPT-DRAPLGA	20/cs



Drapes and gowns are not made with natural rubber latex or sterile unless indicated in the description.

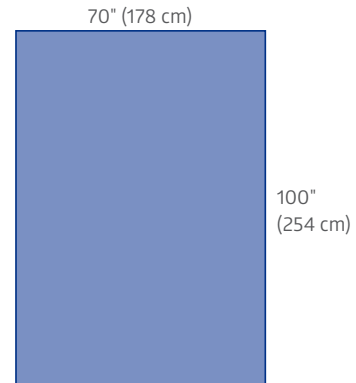
Clear
  Foam
  Plastic
  Reinforcement
  Fabric
  Side Plastic
  Incise
  Pouches
  Mesh



# Basic and Universal Drapes

## Full Drape Sheet

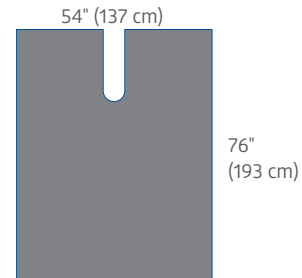
Item No.	Size	Non-Sterile Component	Pkg.
DYNJP2419	70" x 100" (178 x 254 cm)	SPT-DRAPXLA	12/cs



## Film U-Drape

- Split with adhesive, 6" x 24" (15 x 61 cm)

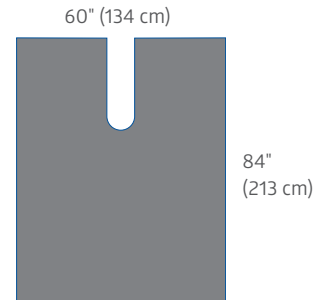
Item No.	Size	Non-Sterile Component	Pkg.
DYNJP2499	54 x 76" (137 x 193 cm)	12139	24/cs



## Large Film U-Drape

- Split with adhesive, 8" x 30" (20 x 76 cm)

Item No.	Size	Non-Sterile Component	Pkg.
DYNJP2430	60 x 84" (134 x 213 cm)	80320	22/cs



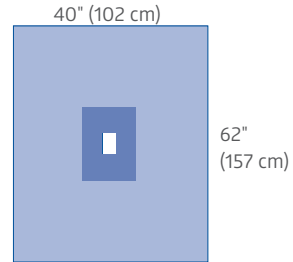
Drapes and gowns are not made with natural rubber latex or sterile unless indicated in the description.

Clear
  Foam
  Plastic
  Reinforcement
  Fabric
  Side Plastic
  Incise
  Pouches
  Mesh

# Basic and Universal Drapes

## Fenestrated Drape Sheet

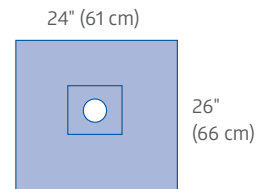
Item No.	Size	Non-Sterile Component	Pkg.
DYNJP2420	Absorbent Reinforcement, 12" x 13" (30 x 33 cm); Fenestration, 4" x 6" (10 x 15 cm)	SPT-2420A	20/cs



## Minor Procedure Drape

- Fenestration, 2.5" (6 cm) with adhesive area, 4.5" x 5" (11 x 12 cm)

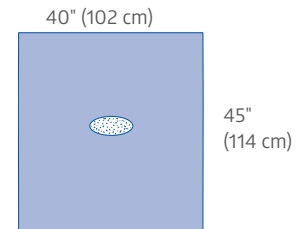
Item No.	Size	Non-Sterile Component	Pkg.
DYNJSD1092	24" x 26" (61 x 66 cm)	13928	25/bx



## Adherent Window Drape

- Oval incise, 3.5" x 7.5" (9 x 19 cm)

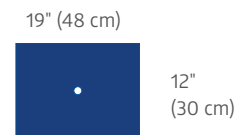
Item No.	Size	Non-Sterile Component	Pkg.
DYNJP2493	40" x 45" (102 x 114 cm)	SPT-3190A	34/cs



## Circumcision Drape

- Foam

Item No.	Size	Non-Sterile Component	Pkg.
DYNJP6003	19" x 12" (48 x 30 cm), Circular Fenestration, 0.625" (2 cm)	10301	40/cs



Drapes and gowns are not made with natural rubber latex or sterile unless indicated in the description.

Clear
  Foam
  Plastic
  Reinforcement
  Fabric
  Side Plastic
  Incise
  Pouches
  Mesh

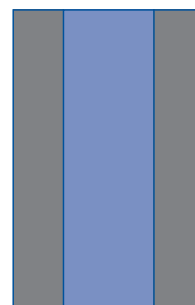
# Basic and Universal Drapes

## OR Accessories

Item No.	Description	Size	Non-Sterile Component	Pkg.
DYNJP2210	Absorbent Towels, Bulk, Non-Sterile	13" x 26" (33 x 66 cm)	N/A	200/cs
DYNJP2220	Absorbent Towels, Sterile	13" x 26" (33 x 66 cm)	N/A	2/pk, 100 pk/cs
DYNJP2494	Drape Tape Strips	3.7" x 24" (10 x 60 cm)	29673	4/pk, 25 pk/cs
DYNJP2216	Hook-and-Loop Tabs	—	41914	2/pk, 50 pk/cs
DYNJP2215	Prepping Pad, Non-Sterile	24" x 41" (61 x 104 cm)	05136	100/cs
DYNJP2405	Utility Drapes with Tape	15" x 26" (38 x 66 cm)	12496A	2/pk, 100 pk/cs
DYNJP2406	Utility Drapes with Tape	15" x 26" (38 x 66 cm)	12496A	4/pk, 50 pk/cs
DYNJP2408	Utility Drapes with Tape, X-Large	20" x 30" (51 x 76 cm)	29522A	4/pk, 50 pk/cs
DYNJP2500	Mayo Stand Cover	24" x 53" (61 x 135 cm)	11348A	30/cs
DYNJP2520	Mayo Stand Cover, Deluxe	24" x 53" (61 x 135 cm)	SPT-2520	30/cs
DYNJP2510	Mayo Stand Cover, X-Large	30" x 57" (76 x 145 cm)	SPT-2505A	22/cs

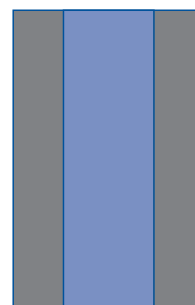
## Reinforced Table Covers

Item No.	Size	Non-Sterile Component	Pkg.
DYNJP2309	Cover, 44" x 76" (112 x 193 cm); SMS Reinforcement, 24" x 76" (61 x 193 cm)	05528A/61026A	22/cs
DYNJP2311	Cover, 44" x 90" (112 x 229 cm); SMS Reinforcement, 24" x 90" (61 x 229 cm)	05897A/61025A	22/cs
DYNJP2316	Cover, 50" x 90" (127 x 229 cm); SMS Reinforcement, 24" x 90" (61 x 229 cm)	05166A/61024A	24/cs
DYNJP2320	Cover, 60" x 90" (152 x 229 cm); SMS Reinforcement, 30" x 90" (76 x 229 cm)	31405A/SPT-2320A	22/cs
DYNJP2312	Cover, 77" x 90" (196 x 229 cm); SMS Reinforcement, 40" x 90" (102 x 229 cm)	31357A/SPT-2312A	22/cs



## Heavy-Duty Table Covers

Item No.	Size	Non-Sterile Component	Pkg.
DYNJP2319	Cover, 50" x 90" (127 x 229 cm); Absorbent Reinforcement, 24" x 90" (61 x 229 cm)	31362/SPT-2319	12/cs
DYNJP2314	Cover, 60" x 90" (152 x 229 cm); Wetlaid Reinforcement, 30" x 90" (76 x 229 cm)	37466	12/cs
DYNJP2318	Cover, 77" x 90" (16 x 229 cm); Absorbent Reinforcement, 40" x 90" (102 x 229 cm)	31361/SPT-2318	12/cs
N/A	Cover, 79" x 100" (201 x 254 cm); Absorbent Reinforcement, 40" x 100" (102 x 254 cm)	31406/SPT-2321	N/A
DYNJP2317	Cover, 79" x 110" (201 x 279 cm); Absorbent Reinforcement, 40" x 110" (102 x 279 cm)	31360/SPT-2317	12/cs



Drapes and gowns are not made with natural rubber latex or sterile unless indicated in the description.

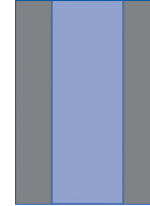
Clear 
  Foam 
  Plastic 
  Reinforcement 
  Fabric 
  Side Plastic 
  Incise 
  Pouches 
  Mesh

# Basic and Universal Drapes

## Specialized Table Covers

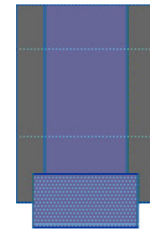
### Super Heavy-Duty Table Cover

Item No.	Size	Non-Sterile Component	Pkg.
DYNJP2314HD	Cover, 60" x 90" (152 x 229 cm); Absorbent reinforcement, 30" x 90" (76 x 229 cm)	31359/SPT-2314	12/cs



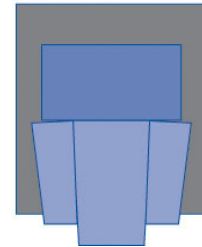
### Heavy-Duty Table Cover with Extension

Item No.	Size	Non-Sterile Component	Pkg.
DYNJP2313	Cover, 77" x 96" (196 x 244 cm); Absorbent reinforcement, 40" x 96" (196 x 244 cm); Extension 56" x 49" (142 x 124 cm)	31359/SPT-2314	12/cs



### Overhead Table Cover with Extension

Item No.	Size	Non-Sterile Component	Pkg.
DYNJP2322	Cover, 80" x 84" (203 x 213 cm); Absorbent reinforcement, 47" x 36" (119 x 91 cm); Extension 56" x 49" (142 x 124 cm)	SPT-2322A	12/cs



### Two Tier Back Table Cover

Item No.	Size	Non-Sterile Component	Pkg.
DYNJP2TBTC	Cover, 98.5" x 43" (250x109 cm); Absorbent HDA reinforcement, 98.5" x 29" (250x 74 cm); Top shelf, HDA reinforcement 80" x 21" (203x53 cm)	2TBTCHD	12/cs



DYNJP2TBTC

Drapes and gowns are not made with natural rubber latex or sterile unless indicated in the description.

Clear 
  Foam 
  Plastic 
  Reinforcement 
  Fabric 
  Side Plastic 
  Incise 
  Pouches 
  Mesh

# Basic Surgical Packs

## Basic Packs 1

<b>DYNJP1000</b>	Pkg.
	10/cs

### Contents:

Qty.	Item Description	Size	Item No.
1	Reinforced Table Cover	50" x 90" (127 x 229 cm)	DYNJP2316
1	Mayo Stand Cover	24" x 53" (61 x 165 cm)	DYNJP2500
1	Half Drape Sheet	40" x 58" (102 x 147 cm)	DYNJP2410
1	Three-Quarter Drape Sheet	53" x 77" (135 x 196 cm)	DYNJP2414
4	Utility Drapes with Tape	15" x 26" (38 x 66 cm)	DYNJP2405
2	Hand Towels	13" x 26" (33 x 66 cm)	DYNJP2220
1	Paper Suture Bag		N/A

<b>DYNJP1000S</b>	Pkg.
	10/cs

### Contents:

Qty.	Item Description	Size	Item No.
1	Reinforced Table Cover	50" x 90" (127 x 229 cm)	DYNJP2316
1	Mayo Stand Cover	24" x 53" (61 x 165 cm)	DYNJP2500
1	Half Drape Sheet	40" x 58" (102 x 147 cm)	DYNJP2410
1	Three-Quarter Drape Sheet	53" x 77" (135 x 196 cm)	DYNJP2414
1	Paper Suture Bag		N/A



DYNJP1000

## Basic Pack 2

<b>DYNJP1005</b>	Pkg.
	10/cs

### Contents:

Qty.	Item Description	Size	Item No.
1	Reinforced Table Cover	50" x 90" (127 x 229 cm)	DYNJP2316
1	Mayo Stand Cover	24" x 53" (61 x 165 cm)	DYNJP2500
1	Three-Quarter Drape Sheet	53" x 77" (135 x 196 cm)	DYNJP2414
1	Paper Suture Bag		N/A

## Basic Pack 3

<b>DYNJP1010</b>	Pkg.
	10/cs

### Contents:

Qty.	Item Description	Size	Item No.
1	Reinforced Table Cover	50" x 90" (127 x 229 cm)	DYNJP2316
1	Mayo Stand Cover	24" x 53" (61 x 165 cm)	DYNJP2500
1	Three-Quarter Drape Sheet	53" x 77" (135 x 196 cm)	DYNJP2414
4	Utility Drapes with Tape	15" x 26" (38 x 66 cm)	DYNJP2405
1	Paper Suture Bag		N/A

<b>DYNJP1010S</b>	Pkg.
	10/cs

### Contents:

Qty.	Item Description	Size	Item No.
1	Reinforced Table Cover	50" x 90" (127 x 229 cm)	DYNJP2316
1	Mayo Stand Cover	24" x 53" (61 x 165 cm)	DYNJP2500
1	Three-Quarter Drape Sheet	53" x 77" (135 x 196 cm)	DYNJP2414
1	Paper Suture Bag		N/A



DYNJP1010

# Basic Surgical Packs

## Basic Packs 4

<b>DYNJP1015</b>	<b>Pkg.</b>
	8/cs

**Contents:**

Qty.	Item Description	Size	Item No.
1	Reinforced Table Cover	50" x 90" (127 x 229 cm)	DYNJP2316
1	Mayo Stand Cover	24" x 53" (61 x 165 cm)	DYNJP2500
1	Eclipse Non-Reinforced Gown, with Towel in Outer Wrap	Large	DYNJP2001
1	Eclipse Non-Reinforced Gown	X-Large	DYNJP2002
1	Half Drape Sheet	40" x 58" (102 x 147 cm)	DYNJP2410
1	Three-Quarter Drape Sheet	53" x 77" (135 x 196 cm)	DYNJP2414
4	Utility Drapes with Tape	15" x 26" (38 x 66 cm)	DYNJP2405
3	Hand Towels	13" x 26" (33 x 66 cm)	DYNJP2220
1	Paper Suture Bag		N/A



DYNJP1015

<b>DYNJP1015S</b>	<b>Pkg.</b>
	8/cs

**Contents:**

Qty.	Item Description	Size	Item No.
1	Reinforced Table Cover	50" x 90" (127 x 229 cm)	DYNJP2316
1	Mayo Stand Cover	24" x 53" (61 x 165 cm)	DYNJP2500
1	Sirus Non-Reinforced Gown, with Towel in Outer Wrap	Large	DYNJP2001S
1	Sirus Non-Reinforced Gown	X-Large	DYNJP2002S
1	Half Drape Sheet	40" x 58" (102 x 147 cm)	DYNJP2410
1	Three-Quarter Drape Sheet	53" x 77" (135 x 196 cm)	DYNJP2414
1	Hand Towel	13" x 26" (33 x 66 cm)	DYNJP2220
1	Paper Suture Bag		N/A



DYNJP1015S

<b>DYNJP1015A</b>	<b>Pkg.</b>
	8/cs

**Contents:**

Qty.	Item Description	Size	Item No.
1	Reinforced Table Cover	50" x 90" (127 x 229 cm)	DYNJP2316
1	Mayo Stand Cover	24" x 53" (61 x 165 cm)	DYNJP2500
1	Aurora Non-Reinforced Raglan Sleeve Gown, with Towel in Outer Wrap	Large	DYNJP2801
2	Aurora Non-Reinforced Raglan Sleeve Gowns	X-Large	DYNJP2802
1	Half Drape Sheet	40" x 58" (102 x 147 cm)	DYNJP2410
1	Three-Quarter Drape Sheet	53" x 77" (135 x 196 cm)	DYNJP2414
4	Utility Drapes with Tape	15" x 26" (38 x 66 cm)	DYNJP2405
3	Hand Towels	13" x 26" (33 x 66 cm)	DYNJP2220
1	Paper Suture Bag		N/A



DYNJP1015A



# Basic Surgical Packs

## Basic Packs 5

<b>DYNJP1020</b>	<b>Pkg.</b>
	5/cs

**Contents:**

Qty.	Item Description	Size	Item No.
1	Reinforced Table Cover	50" x 90" (127 x 229 cm)	DYNJP2316
1	Mayo Stand Cover	24" x 53" (61 x 165 cm)	DYNJP2500
1	Eclipse Non-Reinforced Gown, with Towel in Outer Wrap	Large	DYNJP2001
1	Eclipse Non-Reinforced Gown	Large	DYNJP2001
4	Utility Drapes with Tape	15" x 26" (38 x 66 cm)	DYNJP2405
1	Paper Suture Bag		N/A



<b>DYNJP1020S</b>	<b>Pkg.</b>
	5/cs

**Contents:**

Qty.	Item Description	Size	Item No.
1	Reinforced Table Cover	50" x 90" (127 x 229 cm)	DYNJP2316
1	Mayo Stand Cover	24" x 53" (61 x 165 cm)	DYNJP2500
1	Sirus Non-Reinforced Gown, with Towel in Outer Wrap	Large	DYNJP2001S
1	Sirus Non-Reinforced Gown	Large	DYNJP2001S
1	Paper Suture Bag		N/A



# Basic Surgical Packs

## Basic Packs 6

<b>DYNJP1025</b>			<b>Pkg.</b>
			5/cs
<b>Contents:</b>			
Qty.	Item Description	Size	Item No.
1	Reinforced Table Cover	50" x 90" (127 x 229 cm)	DYNJP2316
1	Mayo Stand Cover	24" x 53" (61 x 165 cm)	DYNJP2500
1	Eclipse Non-Reinforced Gown, with Towel in Outer Wrap	Large	DYNJP2001
1	Eclipse Non-Reinforced Gown	X-Large	DYNJP2002
1	Three-Quarter Drape Sheet	53" x 77" (135 x 196 cm)	DYNJP2414
4	Utility Drapes with Tape	15" x 26" (38 x 66 cm)	DYNJP2405
3	Hand Towels	13" x 26" (33 x 66 cm)	DYNJP2220
1	Paper Suture Bag		N/A



DYNJP1025

<b>DYNJP1025S</b>			<b>Pkg.</b>
			5/cs
<b>Contents:</b>			
Qty.	Item Description	Size	Item No.
1	Reinforced Table Cover	50" x 90" (127 x 229 cm)	DYNJP2316
1	Mayo Stand Cover	24" x 53" (61 x 165 cm)	DYNJP2500
1	Sirus Non-Reinforced Gown, with Towel in Outer Wrap	Large	DYNJP2001S
1	Sirus Non-Reinforced Gown	X-Large	DYNJP2002S
1	Three-Quarter Drape Sheet	53" x 77" (135 x 196 cm)	DYNJP2414
1	Hand Towels	13" x 26" (33 x 66 cm)	DYNJP2220
1	Paper Suture Bag		N/A



DYNJP1025S

<b>DYNJP1025A</b>			<b>Pkg.</b>
			8/cs
<b>Contents:</b>			
Qty.	Item Description	Size	Item No.
1	Reinforced Table Cover	50" x 90" (127 x 229 cm)	DYNJP2316
1	Mayo Stand Cover	24" x 53" (61 x 165 cm)	DYNJP2500
1	Aurora Non-Reinforced Raglan Sleeve Gown, with Towel in Outer Wrap	Large	DYNJP2801
1	Aurora Non-Reinforced Raglan Sleeve Gown	X-Large	DYNJP2802
1	Three-Quarter Drape Sheet	53" x 77" (135 x 196 cm)	DYNJP2414
4	Utility Drapes with Tape	15" x 26" (38 x 66 cm)	DYNJP2405
3	Hand Towels	13" x 26" (33 x 66 cm)	DYNJP2220
1	Paper Suture Bag		N/A



DYNJP1025A



# Basic Surgical Packs

## Basic Packs 7

<b>DYNJP1030</b>			<b>Pkg.</b>
			5/cs
<b>Contents:</b>			
Qty.	Item Description	Size	Item No.
1	Reinforced Table Cover	50" x 90" (127 x 229 cm)	DYNJP2316
1	Mayo Stand Cover	24" x 53" (61 x 165 cm)	DYNJP2500
1	Eclipse Poly-Reinforced Gown, with Towel in Outer Wrap	Large	DYNJP2201
1	Eclipse Poly-Reinforced Gown	X-Large	DYNJP2202
1	Three-Quarter Drape Sheet	53" x 77" (135 x 196 cm)	DYNJP2414
4	Utility Drapes with Tape	15" x 26" (38 x 66 cm)	DYNJP2405
3	Hand Towels	13" x 26" (33 x 66 cm)	DYNJP2220
1	Paper Suture Bag		N/A



DYNJP1030

## Basic Pack 9

<b>DYNJP1036</b>			<b>Pkg.</b>
			8/cs
<b>Contents:</b>			
Qty.	Item Description	Size	Item No.
1	Reinforced Table Cover	50" x 90" (127 x 229 cm)	DYNJP2316
1	Mayo Stand Cover	24" x 53" (61 x 165 cm)	DYNJP2500
1	Eclipse Fabric Reinforced Raglan Gown with Towel in Outer Wrap	Large	DYNJP2101
1	Eclipse Fabric Reinforced Gown	X-Large	DYNJP2102
1	Half Drape Sheet	40" x 58" (102 x 147 cm)	DYNJP2410
1	Three-Quarter Drape Sheet	53" x 77" (135 x 196 cm)	DYNJP2414
4	Utility Drapes with Tape	15" x 26" (38 x 66 cm)	DYNJP2405
3	Hand Towels	13" x 26" (33 x 66 cm)	DYNJP2220
1	Paper Suture Bag		N/A



DYNJP1036

# Basic Surgical Set Up Packs

## Set Up Pack 1

<b>DYNJP1040</b>	<b>Pkg.</b>
	12/cs

### Contents:

Qty.	Item Description	Size	Item No.
1	Reinforced Table Cover	50" x 90" (127 x 229 cm)	DYNJP2316
1	Mayo Stand Cover	24" x 53" (61 x 165 cm)	DYNJP2500
1	Paper Suture Bag		N/A

## Set Up Pack 2

<b>DYNJP1045</b>	<b>Pkg.</b>
	13/cs

### Contents:

Qty.	Item Description	Size	Item No.
1	Reinforced Table Cover	50" x 90" (127 x 229 cm)	DYNJP2316
1	Mayo Stand Cover	24" x 53" (61 x 165 cm)	DYNJP2500
4	Utility Drapes with Tape	15" x 26" (38 x 66 cm)	DYNJP2405
1	Paper Suture Bag		N/A

## Set Up Pack 3

<b>DYNJP1047</b>	<b>Pkg.</b>
	5/cs

### Contents:

Qty.	Item Description	Size	Item No.
1	Heavy Duty Table Cover	50" x 90" (127 x 229 cm)	DYNJP2319
1	Mayo Stand Cover	24" x 53" (61 x 165 cm)	DYNJP2500
1	Aurora Non-Reinforced Gown	Large	DYNJP2701
1	Aurora Non-Reinforced Gown	X-Large	DYNJP2702
10	Blue OR Towels		N/A

# Universal Packs

## Universal Pack 1

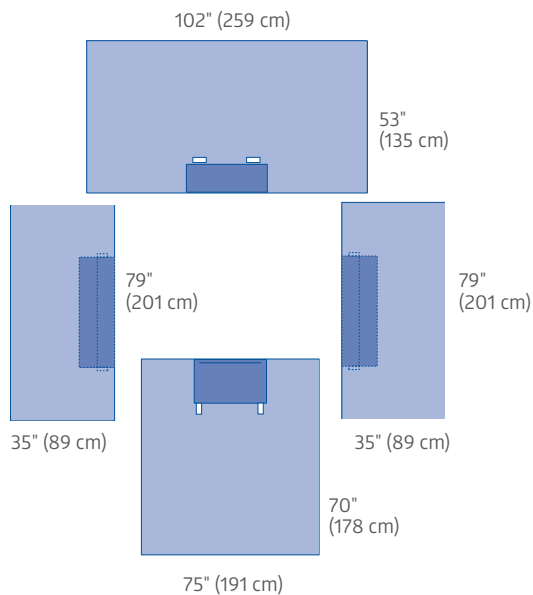
<b>DYNJP1050</b>	<b>Pkg.</b>
	5/cs

### Contents:

Qty.	Item Description	Size	Item No.
1	Top Drape with Adhesive	102" x 53" (259 x 135 cm)	DYNJP4002
2	Side Drape with Adhesive	35" x 79" (89 x 201 cm)	N/A
1	Bottom Drape with Adhesive	70" x 75" (178 x 191 cm)	N/A
1	Reinforced Table Cover	50" x 90" (127 x 229 cm)	DYNJP2316
1	Mayo Stand Cover	24" x 53" (61 x 165 cm)	DYNJP2500
1	Paper Suture Bag		N/A

### Universal Pack

- Absorbent reinforcement:  
Top drape, 29" x 10" (74 x 25 cm)  
Bottom drape, 29" x 16" (74 x 41 cm)  
Side drape, 8" x 40" (20 x 102 cm)
- Adhesive along reinforced edge
- Hook-and-loop line holders on top and bottom drapes
- Side drapes have fabric troughs, 4" x 40" (10 x 102 cm)
- Included in packs DYNJP1050, DYNJP1055, DYNJP1055S and DYNJP1055A



## Universal Packs 2

<b>DYNJP1055</b>	<b>Pkg.</b>
	7/cs

### Contents:

Qty.	Item Description	Size	Item No.
1	Top Drape with Adhesive	102" x 53" (259 x 135 cm)	DYNJP4002
2	Side Drape with Adhesive	35" x 79" (89 x 201 cm)	N/A
1	Bottom Drape with Adhesive	70" x 75" (178 x 191 cm)	N/A
1	Reinforced Table Cover	50" x 90" (127 x 229 cm)	DYNJP2316
1	Mayo Stand Cover	24" x 53" (61 x 165 cm)	DYNJP2500
1	Eclipse Non-Reinforced Gown, with Towel in Outer Wrap	Large	DYNJP2001
1	Eclipse Poly-Reinforced Gown	Large	DYNJP2201
1	Paper Suture Bag		N/A

<b>DYNJP1055S</b>	<b>Pkg.</b>
	7/cs

### Contents:

Qty.	Item Description	Size	Item No.
1	Top Drape with Adhesive	102" x 53" (259 x 135 cm)	DYNJP4002
2	Side Drape with Adhesive	35" x 79" (89 x 201 cm)	N/A
1	Bottom Drape with Adhesive	70" x 75" (178 x 191 cm)	N/A
1	Reinforced Table Cover	50" x 90" (127 x 229 cm)	DYNJP2316
1	Mayo Stand Cover	24" x 53" (61 x 165 cm)	DYNJP2500
1	Sirus Non-Reinforced Gown, with Towel in Outer Wrap	Large	DYNJP2001S
1	Sirus Poly-Reinforced Gown	Large	DYNJP2201S
1	Paper Suture Bag		N/A

<b>DYNJP1055A</b>	<b>Pkg.</b>
	7/cs

### Contents:

Qty.	Item Description	Size	Item No.
1	Top Drape with Adhesive	102" x 53" (259 x 135 cm)	DYNJP4002
2	Side Drape with Adhesive	35" x 79" (89 x 201 cm)	N/A
1	Bottom Drape with Adhesive	70" x 75" (178 x 191 cm)	N/A
1	Reinforced Table Cover	50" x 90" (127 x 229 cm)	DYNJP2316
1	Mayo Stand Cover	24" x 53" (61 x 165 cm)	DYNJP2500
1	Aurora Non-Reinforced Raglan Sleeve Gown, with Towel in Outer Wrap	Large	DYNJP2801
1	Aurora Poly-Reinforced Raglan Sleeve Gown	X-Large	DYNJP2808
1	Paper Suture Bag		N/A

Drapes and gowns are not made with natural rubber latex or sterile unless indicated in the description.

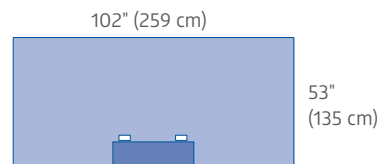
Clear
  Foam
  Plastic
  Reinforcement
  Fabric
  Side Plastic
  Incise
  Pouches
  Mesh

# Universal Packs with Split Drapes

<b>DYNJP1060</b>	<b>Pkg.</b>
	4/cs

**Contents:**

Qty.	Item Description	Size	Item No.
1	Top Drape with Adhesive	102" x 53" (259 x 135 cm)	DYNJP4002
1	Split Drape with Adhesive	77" x 108" (196 x 274 cm); Split 2.5" x 37" (6 x 96 cm)	DYNJP2498
1	Reinforced Table Cover	50" x 90" (127 x 229 cm)	DYNJP2316
1	Mayo Stand Cover	24" x 53" (61 x 165 cm)	DYNJP2500
4	Utility Drapes with Tape	15" x 26" (38 x 66 cm)	DYNJP2405
1	Paper Suture Bag		N/A



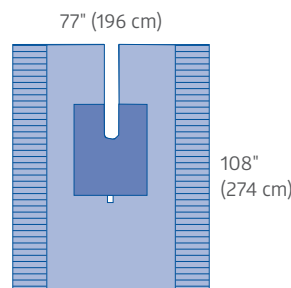
**Top Drape**

- Absorbent reinforcement, 29 x 10" (74 x 25 cm)
- Adhesive along reinforced edge
- Hook-and-loop line holders
- Available sterile: DYNJP4002
- Included in packs DYNJP1060 and DYNJP1060A

<b>DYNJP1060A</b>	<b>Pkg.</b>
	4/cs

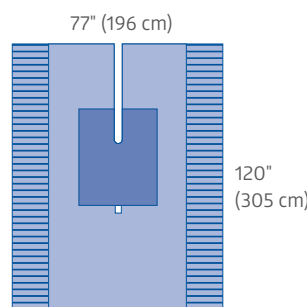
**Contents:**

Qty.	Item Description	Size	Item No.
1	Top Drape with Adhesive	102" x 53" (259 x 135 cm)	DYNJP4002
1	Split Drape with Adhesive	77" x 120" (196 x 305 cm); Split 4" x 40" (10 x 102 cm)	DYNJP8304A
1	Reinforced Table Cover	50" x 90" (127 x 229 cm)	DYNJP2316
1	Mayo Stand Cover	24" x 53" (61 x 165 cm)	DYNJP2500
4	Utility Drapes with Tape	15" x 26" (38 x 66 cm)	DYNJP2405
1	Paper Suture Bag		N/A



**Split Drape**

- Absorbent reinforcement 36 x 29" (91 x 74 cm)
- Split with adhesive, 2½ x 37" (6 x 94 cm)
- Hook-and-loop line holders
- Available sterile: DYNJP2498
- Included in pack DYNJP1060



**Split Drape**

- Absorbent reinforcement, 24 x 48" (61 x 122 cm)
- Split with adhesive, 4 x 40" (10 x 102 cm)
- Hook and loop line holders
- Available sterile: DYNJP8304A
- Included in pack DYNJP1060A

Drapes and gowns are not made with natural rubber latex or sterile unless indicated in the description.

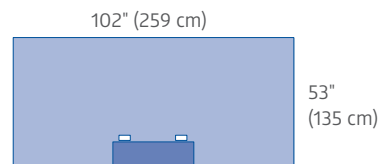
Clear
  Foam
  Plastic
  Reinforcement
  Fabric
  Side Plastic
  Incise
  Pouches
  Mesh

# Universal Packs with Split Drapes

<b>DYNJP1065</b>	<b>Pkg.</b>
	7/cs

**Contents:**

Qty.	Item Description	Size	Item No.
1	Top Drape with Adhesive	102" x 53" (259 x 135 cm)	DYNJP4002
1	Universal Split Drape	77" x 116" (196 x 295 cm); Split 9" x 30" (23 x 76 cm)	N/A
1	Reinforced Table Cover	50" x 90" (127 x 229 cm)	DYNJP2316
1	Mayo Stand Cover	24" x 53" (61 x 165 cm)	DYNJP2500
1	Paper Suture Bag		N/A



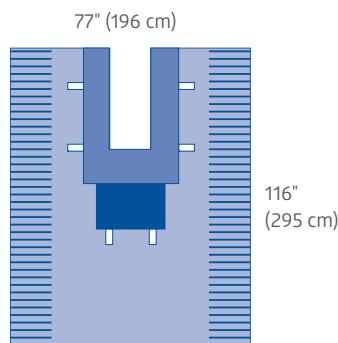
**Top Drape**

- Absorbent reinforcement, 29 x 10" (74 x 25 cm)
- Adhesive along reinforced edge
- Hook-and-loop line holders
- Available sterile: DYNJP4002
- Included in packs DYNJP1065 and DYNJP1065A

<b>DYNJP1065A</b>	<b>Pkg.</b>
	7/cs

**Contents:**

Qty.	Item Description	Size	Item No.
1	Top Drape with Adhesive	102" x 53" (259 x 135 cm)	DYNJP4002
1	Universal Split Drape	77" x 116" (196 x 295 cm); Split 12" x 30" (30 x 76 cm)	N/A
1	Reinforced Table Cover	50" x 90" (127 x 229 cm)	DYNJP2316
1	Mayo Stand Cover	24" x 53" (61 x 165 cm)	DYNJP2500
1	Paper Suture Bag		N/A



**Universal Split Drape**

- Absorbent reinforcement, 23 x 40" (58 x 102 cm)
- Instrument pad
- Hook-and-loop line holders
- Not available single-sterile
- Included in pack DYNJP1065 only, split with adhesive 9" x 30"
- Included in pack DYNJP1065A only, split with adhesive 12" x 30"

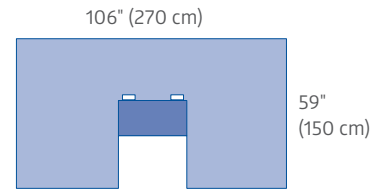
Drapes and gowns are not made with natural rubber latex or sterile unless indicated in the description.

Clear
  Foam
  Plastic
  Reinforcement
  Fabric
  Side Plastic
  Incise
  Pouches
  Mesh

# Universal Packs with Split Drapes and Gowns

<b>DYNJP1070</b>	<b>Pkg.</b>
	4/cs

Contents:			
Qty.	Item Description	Size	Item No.
1	Top Drape with Armboard Covers	106" x 59" (270 x 150 cm)	DYNJP4215
1	Universal Split Drape	77" x 116" (196 x 295 cm); Split 9" x 30" (23 x 76 cm)	N/A
1	Reinforced Table Cover	50" x 90" (127 x 229 cm)	DYNJP2316
1	Mayo Stand Cover	24" x 53" (61 x 165 cm)	DYNJP2500
1	Eclipse Non-Reinforced Gown, with Towel in Outer Wrap	X-Large	DYNJP2002
2	Eclipse Fabric-Reinforced Gowns	X-Large	DYNJP2102
2	Hand Towels	13" x 26" (33 x 66 cm)	DYNJP2220
1	Paper Suture Bag		N/A

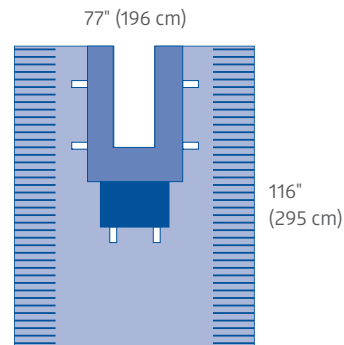


### Top Drape with Armboard Cover

- Absorbent reinforcement, 24 x 16" (61 x 41 cm)
- Split, 24 x 19" (61 x 78 cm); with wide adhesive, 2" (5 cm)
- Hook-and-loop line holders
- Available sterile: DYNJP4215
- Included in packs DYNJP1070 and DYNJP1070A

<b>DYNJP1070A</b>	<b>Pkg.</b>
	4/cs

Contents:			
Qty.	Item Description	Size	Item No.
1	Top Drape with Armboard Covers	106" x 59" (270 x 150 cm)	DYNJP4215
1	Universal Split Drape	77" x 116" (196 x 295 cm); Split 12" x 30" (30 x 76 cm)	N/A
1	Reinforced Table Cover	50" x 90" (127 x 229 cm)	DYNJP2316
1	Mayo Stand Cover	24" x 53" (61 x 165 cm)	DYNJP2500
1	Aurora Non-Reinforced Raglan Sleeve Gown, with Towel in Outer Wrap	Large	DYNJP2801
2	Aurora Fabric-Reinforced Raglan Sleeve Gowns	X-Large	DYNJP2805
2	Hand Towels	13" x 26" (33 x 66 cm)	DYNJP2220
1	Paper Suture Bag		N/A



### Universal Split Drape

- Absorbent reinforcement, 23 x 40" (58 x 102 cm)
- Instrument pad
- Hook-and-loop line holders
- Not available single-sterile
- Included in pack DYNJP1070 and DYNJP1075, split with adhesive 9" x 30"
- Included in pack DYNJP1070A only, split with adhesive 12" x 30"

<b>DYNJP1075</b>	<b>Pkg.</b>
	10/cs

Contents:			
Qty.	Item Description	Size	Item No.
1	Top Drape with Adhesive	102" x 53" (259 x 135 cm)	DYNJP4002
1	Universal Split Drape	77" x 116" (196 x 295 cm); Split 9" x 30" (23 x 76 cm)	N/A

Drapes and gowns are not made with natural rubber latex or sterile unless indicated in the description.

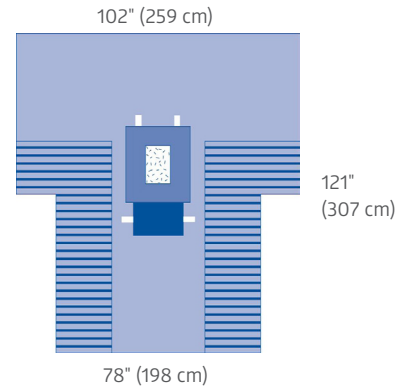
Clear 
  Foam 
  Plastic 
  Reinforcement 
  Fabric 
  Side Plastic 
  Incise 
  Pouches 
  Mesh

# Laparotomy Drapes

## Laparotomy T-Drape with Incise and Instrument Pad

- Absorbent reinforcement, 28" x 23" (71 x 58 cm)
- Fenestration with incise, 9" x 14" (23 x 36 cm)
- Instrument pad
- Contoured armboard covers
- Hook-and-loop line holders

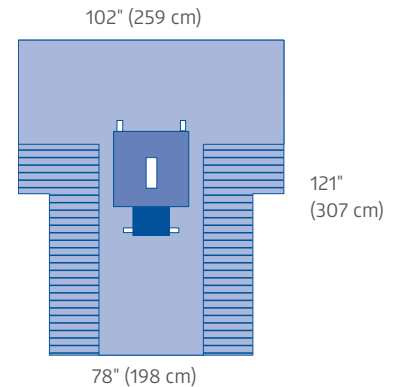
Item No.	Size	Non-Sterile Component	Pkg.
DYNJP3002	102" x 121" x 78" (259 x 307 x 198 cm)	SPT-2535A	14/cs



## Laparotomy T-Drape with Instrument Pad

- Absorbent reinforcement, 29" x 29" (74 x 74 cm)
- Fenestration with adhesive, 4" x 12" (10 x 30 cm)
- Instrument pad
- Contoured armboard covers
- Hook-and-loop line holders

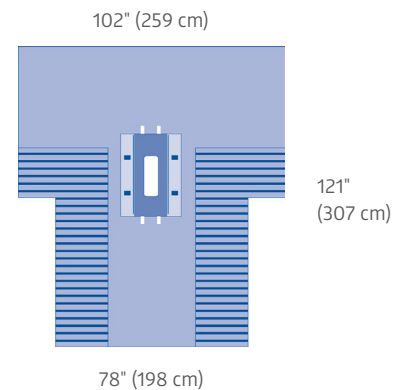
Item No.	Size	Non-Sterile Component	Pkg.
DYNJP3003	102" x 121" x 78" (259 x 307 x 198 cm)	SPT-3110A	12/cs



## Laparotomy T-Drape with Pouches

- Absorbent reinforcement, 14" x 38" (36 x 97 cm)
- Fenestration with adhesive, 4" x 12" (10 x 30 cm)
- Fluid collection pouches, 38" x 7.5" (97 x 19 cm)
- Contoured armboard covers
- Hook-and-loop line holders

Item No.	Size	Non-Sterile Component	Pkg.
DYNJP3008	102" x 121" x 78" (259 x 307 x 198 cm)	SPT-3130A	12/cs



Drapes and gowns are not made with natural rubber latex or sterile unless indicated in the description.

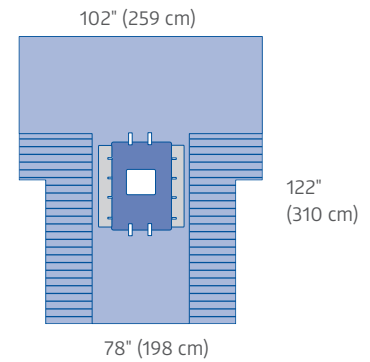
Clear
  Foam
  Plastic
  Reinforcement
  Fabric
  Side Plastic
  Incise
  Pouches
  Mesh

# Laparotomy Drapes

## Major Abdominal Drape with Pouches

- Absorbent reinforcement, 16" x 38" (41 x 97 cm)
- Fenestration with adhesive, 10" x 11" (25 x 28 cm)
- Fluid-collection pouches with hook-and-loop closures, two 10.5" x 30" (23 x 76 cm)
- Contoured armboard covers
- Hook-and-loop line holders

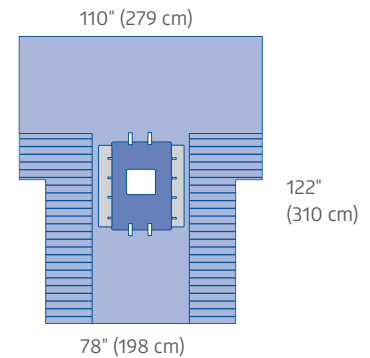
Item No.	Size	Non-Sterile Component	Pkg.
DYNJP3103	102" x 122" x 78" (259 x 307 x 198 cm)	SPT-3830A	8/cs



## Major Abdominal Drape with Pouch/Trough

- Absorbent reinforcement, 16" x 38" (41 x 97 cm)
- Fenestration with adhesive, 12" x 14" (30 x 36 cm)
- Fluid-collection pouch/trough, 10.5" x 30" (23 x 76 cm)
- Contoured armboard covers
- Hook-and-loop line holders

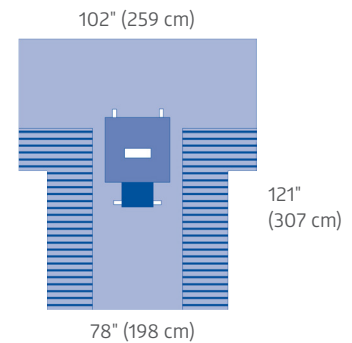
Item No.	Size	Non-Sterile Component	Pkg.
DYNJP3109	110" x 122" x 78" (279 x 307 x 198 cm)	SPT-3109A	8/cs



## Transverse Laparotomy T-Drape

- Absorbent reinforcement, 29" x 29" (74 x 74 cm)
- Fenestration with adhesive, 14" x 4" (36 x 10 cm)
- Contoured armboard covers
- Instrument pad
- Hook-and-loop line holders

Item No.	Size	Non-Sterile Component	Pkg.
DYNJP3005	102 x 121" x 78" (259 x 307 x 198 cm)	SPT-3140	12/cs



Drapes and gowns are not made with natural rubber latex or sterile unless indicated in the description.

Clear
  Foam
  Plastic
  Reinforcement
  Fabric
  Side Plastic
  Incise
  Pouches
  Mesh

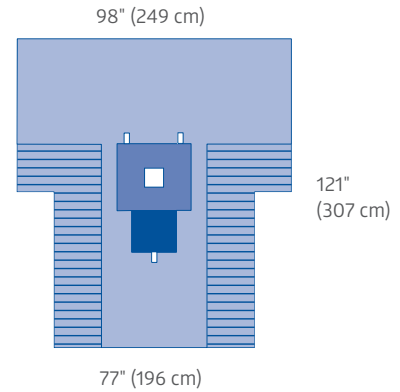


# Laparotomy Drapes

## Minor Procedure T-Drape

- Absorbent reinforcement, 20" x 18" (51 x 46 cm)
- Fenestration with adhesive, 6" x 6" (15 x 15 cm)
- Contoured armboard covers
- Instrument pad
- Hook-and-loop line holders

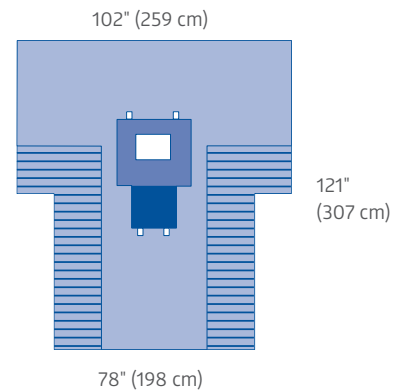
Item No.	Size	Non-Sterile Component	Pkg.
DYNJP2492	98" x 121" x 77" (249 x 307 x 196 cm)	SPT-2545A	10/cs



## Chest/Breast Drape

- Absorbent reinforcement, 28" x 28" (71 x 71 cm)
- Fenestration with adhesive, 15" x 10" (38 x 25 cm)
- Contoured armboard covers
- Instrument pad
- Hook-and-loop line holders

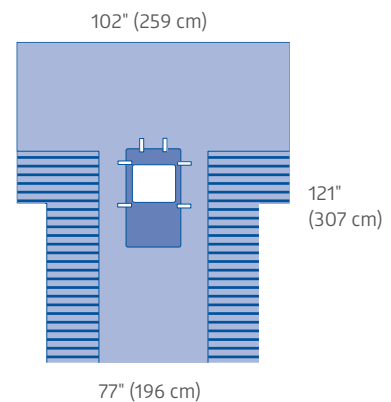
Item No.	Size	Non-Sterile Component	Pkg.
DYNJP2491	102" x 121" x 78" (259 x 307 x 198 cm)	SPT-2540A	12/cs



## Laparoscopic Abdominal T-Drape

- Absorbent reinforcement, 20" x 36" (51 x 91 cm)
- Fenestration with adhesive, 12" x 13" (30 x 33 cm)
- Contoured armboard covers
- Hook-and-loop line holders

Item No.	Size	Non-Sterile Component	Pkg.
DYNJP3101	102" x 121" x 77" (259 x 307 x 196 cm)	SPT-3815A	12/cs



Drapes and gowns are not made with natural rubber latex or sterile unless indicated in the description.

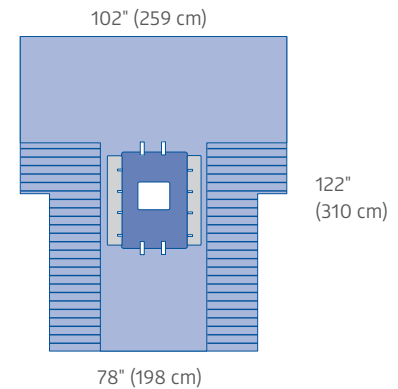
Clear
  Foam
  Plastic
  Reinforcement
  Fabric
  Side Plastic
  Incise
  Pouches
  Mesh

# Laparotomy Drapes

## Laparoscopic Cholecystectomy Drape with Troughs

- Absorbent reinforcement, 16" x 38" (41 x 97 cm)
- Two open-ended, poly troughs, 11" x 30" (28 x 76 cm)
- Contoured armboard covers
- Hook-and-loop line holders

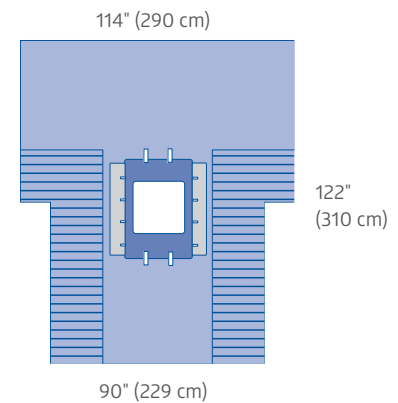
Item No.	Size	Non-Sterile Component	Pkg.
DYNJP3102	Drape, 102" x 122" x 78" (259 x 310 x 198 cm); Fenestration with adhesive, 10" x 11" (25 x 28 cm)	N/A	8/cs
DYNJP3102A	Drape, 102" x 122" x 78" (259 x 310 x 198 cm); Fenestration with adhesive, 12" x 12" (30 x 30 cm)	SPT-3820A	8/cs



## Bariatric Drape with Pouches

- Absorbent reinforcement, 40" x 40" (102 x 102 cm)
- Fenestration with adhesive, 18" x 18" (46 x 46 cm)
- Fluid collection pouches, 30" x 10.5" (76 x 27 cm)
- Contoured armboard covers
- Hook-and-loop line holders

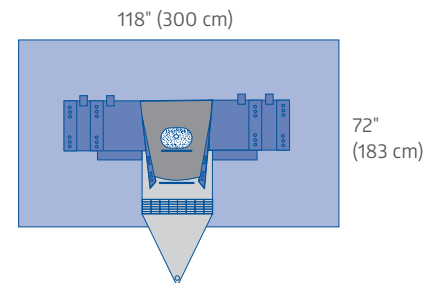
Item No.	Size	Non-Sterile Component	Pkg.
DYNJP3105	114" x 122" x 90" (290 x 310 x 229 cm)	SPT-3840A	8/cs



## Nephroscopy Drape

- Absorbent reinforcement with built-in tubing system, 20" x 68" (51 x 73 cm)
- Oval incise area with 2" (5 cm) fenestration, 8" x 12" (20 x 30 cm)
- Fluid collection pouch with port and screen, 23" x 43" (58 x 109 cm)

Item No.	Size	Non-Sterile Component	Pkg.
DYNJP3106	118" x 72" (300 x 183 cm)	SPT-3850A	8/cs



Drapes and gowns are not made with natural rubber latex or sterile unless indicated in the description.

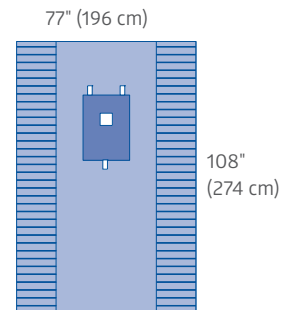
Clear
  Foam
  Plastic
  Reinforcement
  Fabric
  Side Plastic
  Incise
  Pouches
  Mesh

# Laparotomy Drapes

## Pediatric Laparotomy Drape

- Absorbent reinforcement, 29" x 20" (74 x 51 cm)
- Fenestration with adhesive, 6" x 6" (15 x 15 cm)
- Hook-and-loop line holders

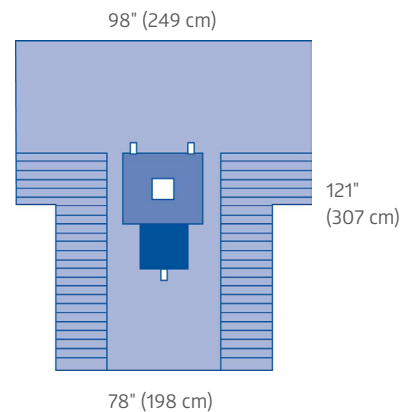
Item No.	Size	Non-Sterile Component	Pkg.
DYNJP3007	77" x 108" (196 x 274 cm)	SPT-3160A	10/cs



## Pediatric Laparotomy T-Drape

- Absorbent reinforcement, 20" x 18" (51 x 46 cm)
- Fenestration with adhesive, 6" x 6" (15 x 15 cm)
- Contoured armboard covers
- Instrument pad
- Hook-and-loop line holders

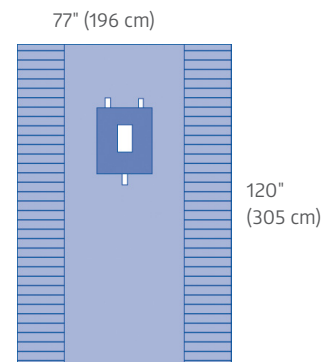
Item No.	Size	Non-Sterile Component	Pkg.
DYNJP3009	98" x 121" x 78" (249 x 307 x 198 cm)	N/A	10/cs



## Adolescent Laparotomy Drape

- Absorbent reinforcement, 20" x 25" (51 x 64 cm)
- Fenestration with adhesive, 3" x 6" (8 x 15 cm)
- Hook-and-loop line holders

Item No.	Size	Non-Sterile Component	Pkg.
DYNJP3004	77" x 120" (196 x 305 cm)	SPT-3004A	10/cs



Drapes and gowns are not made with natural rubber latex or sterile unless indicated in the description.

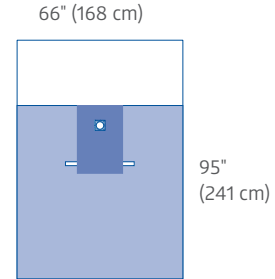
Clear
  Foam
  Plastic
  Reinforcement
  Fabric
  Side Plastic
  Incise
  Pouches
  Mesh

# Laparotomy Drapes

## Neonatal Drape

- Absorbent reinforcement, 18" x 27" (46 x 69 cm)
- Circular elastic fenestration, 3" (8 cm)
- Clear anesthesia screen with tape strips
- Hook-and-loop line holders

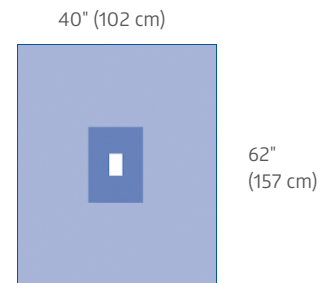
Item No.	Size	Non-Sterile Component	Pkg.
DYNJP3104	66" x 95" (168 x 241 cm)	SPT-3165A	15/cs



## Fenestrated Drape Sheet

- Absorbent reinforcement, 12" x 13" (30 x 33 cm)
- Fenestration, 4" x 6" (10 x 15 cm)

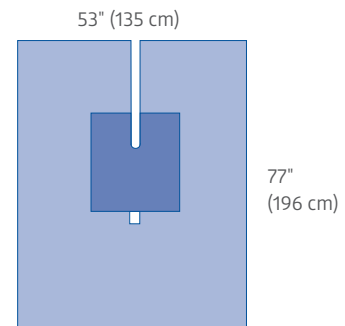
Item No.	Size	Non-Sterile Component	Pkg.
DYNJP2420	40" x 62" (102 x 157 cm)	SPT-2420A	20/cs



## Small Split Drape with Adhesive

- Absorbent reinforcement, 18" x 20" (46 x 51 cm)
- Split with adhesive, 2.5" x 30" (6 x 76 cm)
- Hook-and-loop line holders

Item No.	Size	Non-Sterile Component	Pkg.
DYNJP2432	53 x 77" (135 x 196 cm)	SPT-2432A	18/cs



Drapes and gowns are not made with natural rubber latex or sterile unless indicated in the description.

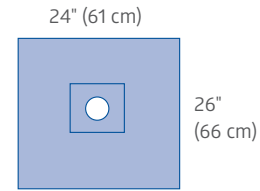
Clear
  Foam
  Plastic
  Reinforcement
  Fabric
  Side Plastic
  Incise
  Pouches
  Mesh

# Laparotomy Drapes

## Minor Procedure Drape

- Fenestration, 2.5" (6 cm) with adhesive area, 4.5" x 5" (11 x 12 cm)

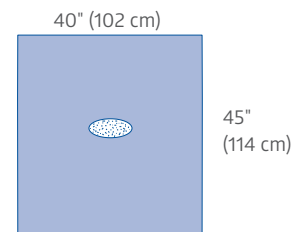
Item No.	Size	Non-Sterile Component	Pkg.
DYNJSD1092	24" x 26" (61 x 66 cm)	13928	25/bx



## Adherent Window Drape

- Oval incise, 3.5" x 7.5" (9 x 19 cm)

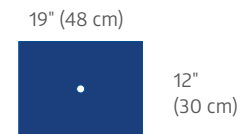
Item No.	Size	Non-Sterile Component	Pkg.
DYNJP2493	40" x 45" (102 x 114 cm)	SPT-3190A	34/cs



## Circumcision Drape

- Foam

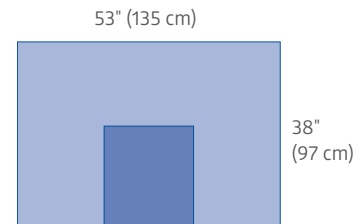
Item No.	Size	Non-Sterile Component	Pkg.
DYNJP6003	19" x 12" (48 x 30 cm), Circular Fenestration, 0.625" (2 cm)	10301	40/cs



## Abdominal Drape

- Absorbent reinforcement, 21 x 18" (53 x 46 cm)
- Adhesive

Item No.	Size	Non-Sterile Component	Pkg.
N/A	53" x 38" (135 x 97 cm)	SPT-2600A	N/A



Drapes and gowns are not made with natural rubber latex or sterile unless indicated in the description.

Clear
  Foam
  Plastic
  Reinforcement
  Fabric
  Side Plastic
  Incise
  Pouches
  Mesh

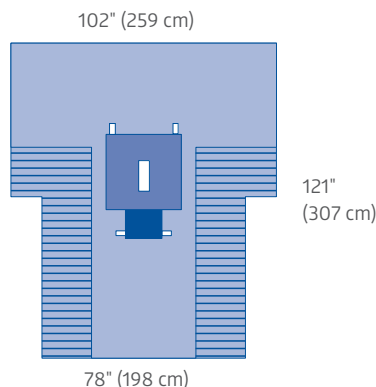
# Laparotomy Packs

## Laparotomy Pack 1

<b>DYNJP3000</b>	<b>Pkg.</b>
	10/cs

### Contents:

Qty.	Item Description	Size	Item No.
1	Laparotomy T-Drape	102" x 121" x 78" (259 x 307 x 198 cm)	DYNJP3003
1	Reinforced Table Cover	50" x 90" (127 x 229 cm)	DYNJP2316
1	Mayo Stand Cover	24" x 53" (61 x 165 cm)	DYNJP2500
4	Utility Drapes with Tape	15" x 26" (38 x 66 cm)	DYNJP2405
2	Hand Towels	13" x 26" (33 x 66 cm)	DYNJP2220
1	Paper Suture Bag		N/A



### Laparotomy T-Drape with Instrument Pad

- Absorbent reinforcement, 29" x 29" (74 x 74 cm)
- Fenestration with adhesive, 4" x 12" (10 x 30 cm)
- Instrument pad
- Contoured armboard covers
- Hook-and-loop line holders
- Available sterile: DYNJP3003
- Included in packs DYNJP3000, DYNJP3010, DYNJP3020, DYNJP3030, DYNJP3030S, DYNJP3030A, DYNJP3040, DYNJP3040S and DYNJP3050

## Laparotomy Pack 2

<b>DYNJP3010</b>	<b>Pkg.</b>
	5/cs

### Contents:

Qty.	Item Description	Size	Item No.
1	Laparotomy T-Drape	102" x 121" x 78" (259 x 307 x 198 cm)	DYNJP3003
1	Reinforced Table Cover	50" x 90" (127 x 229 cm)	DYNJP2316
1	Mayo Stand Cover	24" x 53" (61 x 165 cm)	DYNJP2500
2	Half Drape Sheet	40" x 58" (102 x 147 cm)	DYNJP2410
4	Utility Drapes with Tape	15" x 26" (38 x 66 cm)	DYNJP2405
2	Hand Towels	13" x 26" (33 x 66 cm)	DYNJP2220
1	Paper Suture Bag		N/A

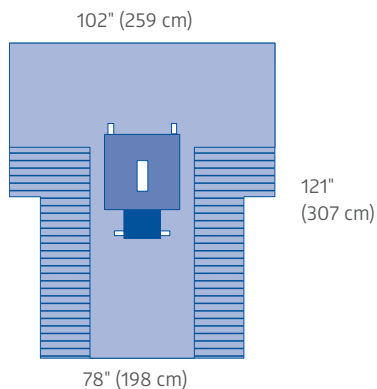
# Laparotomy Packs

## Laparotomy Pack 3

<b>DYNJP3020</b>	<b>Pkg.</b>
	6/cs

### Contents:

Qty.	Item Description	Size	Item No.
1	Laparotomy T-Drape	102" x 121" x 78" (259 x 307 x 198 cm)	DYNJP3003
1	Reinforced Table Cover	50" x 90" (127 x 229 cm)	DYNJP2316
1	Mayo Stand Cover	24" x 53" (61 x 165 cm)	DYNJP2500
2	Eclipse Fabric-Reinforced Gowns	Large	DYNJP2101
2	Half Drape Sheet	40" x 58" (102 x 147 cm)	DYNJP2410
4	Utility Drapes with Tape	15" x 26" (38 x 66 cm)	DYNJP2405
4	Hand Towels	13" x 26" (33 x 66 cm)	DYNJP2220
1	Paper Suture Bag		N/A



### Laparotomy T-Drape with Instrument Pad

- Absorbent reinforcement, 29" x 29" (74 x 74 cm)
- Fenestration with adhesive, 4" x 12" (10 x 30 cm)
- Instrument pad
- Contoured armboard covers
- Hook-and-loop line holders
- Available sterile: DYNJP3003
- Included in packs DYNJP3000, DYNJP3010, DYNJP3020, DYNJP3030, DYNJP3030S, DYNJP3030A, DYNJP3040, DYNJP3040S and DYNJP3050

## Laparotomy Pack 4

<b>DYNJP3030</b>	<b>Pkg.</b>
	4/cs

### Contents:

Qty.	Item Description	Size	Item No.
1	Laparotomy T-Drape	102" x 121" x 78" (259 x 307 x 198 cm)	DYNJP3003
1	Reinforced Table Cover	50" x 90" (127 x 229 cm)	DYNJP2316
1	Mayo Stand Cover	24" x 53" (61 x 165 cm)	DYNJP2500
1	Eclipse Non-Reinforced Gown, with Towel in Outer Wrap	Large	DYNJP2001
1	Eclipse Non-Reinforced Gown	Large	DYNJP2001
1	Hand Towel	13" x 26" (33 x 66 cm)	DYNJP2220
1	Paper Suture Bag		N/A

<b>DYNJP3030S</b>	<b>Pkg.</b>
	4/cs

### Contents:

Qty.	Item Description	Size	Item No.
1	Laparotomy T-Drape	102" x 121" x 78" (259 x 307 x 198 cm)	DYNJP3003
1	Reinforced Table Cover	50" x 90" (127 x 229 cm)	DYNJP2316
1	Mayo Stand Cover	24" x 53" (61 x 165 cm)	DYNJP2500
1	Sirus Non-Reinforced Gown, with Towel in Outer Wrap	Large	DYNJP2001S
1	Sirus Non-Reinforced Gown	Large	DYNJP2001S
1	Hand Towel	13" x 26" (33 x 66 cm)	DYNJP2220
1	Paper Suture Bag		N/A

<b>DYNJP3030A</b>	<b>Pkg.</b>
	4/cs

### Contents:

Qty.	Item Description	Size	Item No.
1	Laparotomy T-Drape	102" x 121" x 78" (259 x 307 x 198 cm)	DYNJP3003
1	Reinforced Table Cover	50" x 90" (127 x 229 cm)	DYNJP2316
1	Mayo Stand Cover	24" x 53" (61 x 165 cm)	DYNJP2500
1	Aurora Non-Reinforced Raglan Sleeve Gown, with Towel in Outer Wrap	Large	DYNJP2801
1	Aurora Non-Reinforced Raglan Sleeve Gown	X-Large	DYNJP2802
4	Utility Drapes with Tape	15" x 26" (38 x 66 cm)	DYNJP2405
1	Hand Towel	13" x 26" (33 x 66 cm)	DYNJP2220
1	Paper Suture Bag		N/A

# Laparotomy Packs

## Laparotomy Pack 5

<b>DYNJP3040</b>	<b>Pkg.</b>
	6/cs

### Contents:

Qty.	Item Description	Size	Item No.
1	Laparotomy T-Drape	102" x 121" x 78" (259 x 307 x 198 cm)	DYNJP3003
1	Reinforced Table Cover	50" x 90" (127 x 229 cm)	DYNJP2316
1	Mayo Stand Cover	24" x 53" (61 x 165 cm)	DYNJP2500
2	Eclipse Fabric-Reinforced Gowns	Large	DYNJP2101
4	Utility Drapes with Tape	15" x 26" (38 x 66 cm)	DYNJP2405
4	Hand Towels	13" x 26" (33 x 66 cm)	DYNJP2220
1	Paper Suture Bag		N/A

<b>DYNJP3040S</b>	<b>Pkg.</b>
	6/cs

### Contents:

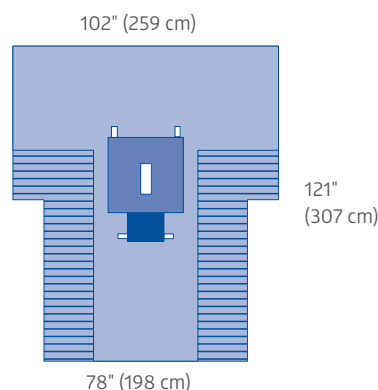
Qty.	Item Description	Size	Item No.
1	Laparotomy T-Drape	102" x 121" x 78" (259 x 307 x 198 cm)	DYNJP3003
1	Reinforced Table Cover	50" x 90" (127 x 229 cm)	DYNJP2316
1	Mayo Stand Cover	24" x 53" (61 x 165 cm)	DYNJP2500
2	Sirus Fabric-Reinforced Gown	Large	DYNJP2101S
2	Hand Towels	13" x 26" (33 x 66 cm)	DYNJP2220
1	Paper Suture Bag		N/A

## Laparotomy Pack 6

<b>DYNJP3050</b>	<b>Pkg.</b>
	4/cs

### Contents:

Qty.	Item Description	Size	Item No.
1	Laparotomy T-Drape	102" x 121" x 78" (259 x 307 x 198 cm)	DYNJP3003
1	Reinforced Table Cover	50" x 90" (127 x 229 cm)	DYNJP2316
1	Mayo Stand Cover	24" x 53" (61 x 165 cm)	DYNJP2500
1	Eclipse Poly-Reinforced Gown, with Towel in Outer Wrap	Large	DYNJP2201
1	Eclipse Poly-Reinforced Gown	Large	DYNJP2201
4	Utility Drapes with Tape	15" x 26" (38 x 66 cm)	DYNJP2405
1	Hand Towel	13" x 26" (33 x 66 cm)	DYNJP2220
1	Paper Suture Bag		N/A



### Laparotomy T-Drape with Instrument Pad

- Absorbent reinforcement, 29" x 29" (74 x 74 cm)
- Fenestration with adhesive, 4" x 12" (10 x 30 cm)
- Instrument pad
- Contoured armboard covers
- Hook-and-loop line holders
- Available sterile: DYNJP3003
- Included in packs DYNJP3000, DYNJP3010, DYNJP3020, DYNJP3030, DYNJP3030S, DYNJP3030A, DYNJP3040, DYNJP3040S and DYNJP3050



# Laparotomy Packs

## Laparotomy Pack 7

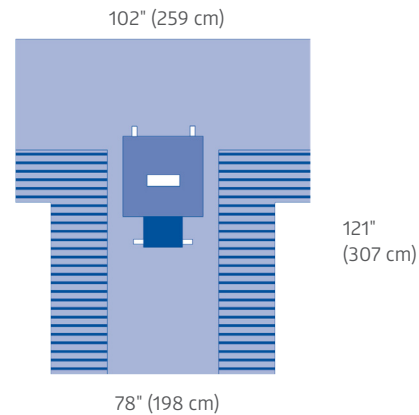
**DYNJP3070S**

**Pkg.**

4/cs

**Contents:**

Qty.	Item Description	Size	Item No.
1	Transverse Laparotomy T-Drape	102" x 121" x 78" (259 x 307 x 198 cm)	DYNJP3005
1	Reinforced Table Cover	50" x 90" (127 x 229 cm)	DYNJP2316
1	Mayo Stand Cover	24" x 53" (61 x 165 cm)	DYNJP2500
1	Sirus Non-Reinforced Gown, with Towel in Outer Wrap	Large	DYNJP2001S
1	Sirus Non-Reinforced Gown	Large	DYNJP2001S
1	Hand Towel	13" x 26" (33 x 66 cm)	DYNJP2220
1	Paper Suture Bag		N/A



**Transverse Laparotomy T-Drape**

- Absorbent reinforcement, 29" x 29" (74 x 74 cm)
- Fenestration with adhesive, 14" x 4" (36 x 10 cm)
- Contoured armboard covers
- Instrument pad
- Hook-and-loop line holders
- Available sterile: DYNJP3005
- Included in pack DYNJP3070S

## Pediatric Laparotomy Packs

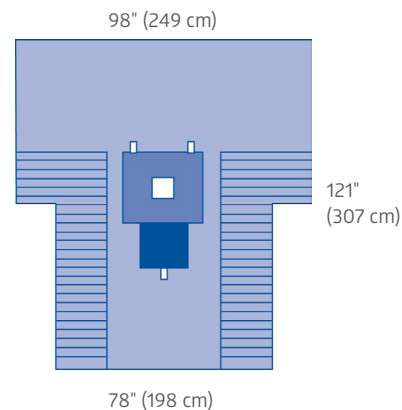
**DYNJP3080S**

**Pkg.**

8/cs

**Contents:**

Qty.	Item Description	Size	Item No.
1	Pediatric Laparotomy T-Drape	98" x 78" x 121" (259 x 198 x 307 cm)	DYNJP3009
1	Reinforced Table Cover	50" x 90" (127 x 229 cm)	DYNJP2316
1	Mayo Stand Cover	24" x 53" (61 x 165 cm)	DYNJP2500
2	Sirus Non-Reinforced Gowns	X-Large	DYNJP2002S
2	Hand Towels	13" x 26" (33 x 66 cm)	DYNJP2220
1	Paper Suture Bag		N/A



**Pediatric Laparotomy T-Drape**

- Absorbent reinforcement, 20" x 18" (51 x 46 cm)
- Fenestration with adhesive, 6" x 6" (15 x 15 cm)
- Contoured armboard covers
- Instrument pad
- Hook-and-loop line holders
- Available sterile: DYNJP3009
- Included in pack DYNJP3080S

# Laparotomy Packs

## Laparoscopic Abdominal Packs

<b>DYNJP3100</b>	<b>Pkg.</b>
	6/cs

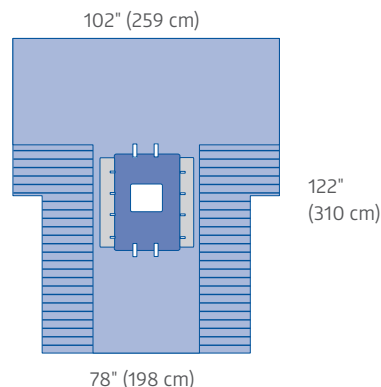
### Contents:

Qty.	Item Description	Size	Item No.
1	Laparoscopic Cholecystectomy Drape	102" x 122" x 78" (259 x 310 x 198 cm)	DYNJP3102
1	Reinforced Table Cover	50" x 90" (127 x 229 cm)	DYNJP2316
1	Mayo Stand Cover	24" x 53" (61 x 165 cm)	DYNJP2500
1	Eclipse Non-Reinforced Gown, with Towel in Outer Wrap	Large	DYNJP2001
2	Eclipse Non-Reinforced Gowns	Large	DYNJP2001
4	Utility Drapes with Tape	15" x 26" (38 x 66 cm)	DYNJP2405
2	Hand Towels	13" x 26" (33 x 66cm)	DYNJP2220
1	Paper Suture Bag		N/A

<b>DYNJP3100S</b>	<b>Pkg.</b>
	6/cs

### Contents:

Qty.	Item Description	Size	Item No.
1	Laparoscopic Cholecystectomy Drape	102" x 122" x 78" (259 x 310 x 198 cm)	DYNJP3102A
1	Reinforced Table Cover	50" x 90" (127 x 229 cm)	DYNJP2316
1	Mayo Stand Cover	24" x 53" (61 x 165 cm)	DYNJP2500
1	Sirus Non-Reinforced Gown, with Towel in Outer Wrap	Large	DYNJP2001S
1	Sirus Non-Reinforced Gown	Large	DYNJP2001S
1	Hand towel	13" x 26" (33 x 66 cm)	DYNJP2220
1	Paper Suture Bag		N/A



### Laparoscopic Cholecystectomy Drape with Troughs

- Absorbent reinforcement, 16" x 38" (41 x 97 cm)
- Two open-ended, poly troughs, 11" x 30" (28 x 76 cm)
- Contoured armboard covers
- Hook-and-loop line holders
- Available sterile: DYNJP3102 [Drape, 102" x 122" x 78" (259 x 310 x 198 cm); Fenestration with adhesive, 10" x 11" (25 x 28 cm)]; and DYNJP3102A [Drape, 102" x 122" x 78" (259 x 310 x 198 cm); Fenestration with adhesive, 12" x 12" (30 x 30 cm)]
- DYNJP3102 included in pack DYNJP3100 and DYNJP3102A included in pack DYNJP3100S

Drapes and gowns are not made with natural rubber latex or sterile unless indicated in the description.

Clear
  Foam
  Plastic
  Reinforcement
  Fabric
  Side Plastic
  Incise
  Pouches
  Mesh

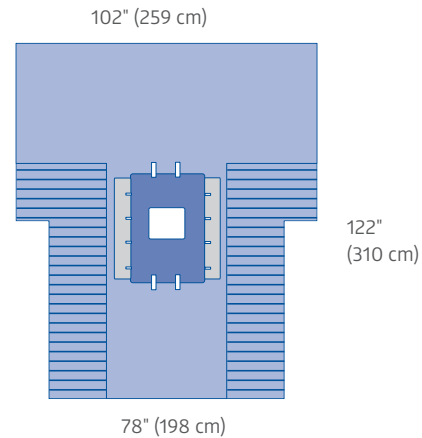
# Laparotomy Packs

## Major Abdominal Pack

<b>DYNJP3110</b>	<b>Pkg.</b>
	6/cs

### Contents:

Qty.	Item Description	Size	Item No.
1	Major Abdominal Drape with Pouches	102" x 78" x 122" (259 x 198 x 310 cm)	DYNJP3103
1	Reinforced Table Cover	50" x 90" (127 x 229 cm)	DYNJP2316
1	Mayo Stand Cover	24" x 53" (61 x 165 cm)	DYNJP2500
4	Utility Drapes with Tape	15" x 26" (38 x 66 cm)	DYNJP2405
2	Hand towels	13" x 26" (33 x 66 cm)	DYNJP2220
1	Paper Suture Bag		N/A



### Major Abdominal Drape with Pouches

- Absorbent reinforcement, 16" x 38" (41 x 97 cm)
- Fenestration with adhesive, 10" x 11" (25 x 28 cm)
- Fluid-collection pouches with hook-and-loop closures, two 10.5" x 30" (23 x 76 cm)
- Contoured armboard covers
- Hook-and-loop line holders
- Available sterile: DYNJP3103
- Included in pack DYNJP3110

Drapes and gowns are not made with natural rubber latex or sterile unless indicated in the description.

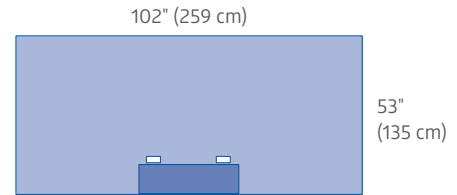
Clear 
  Foam 
  Plastic 
  Reinforcement 
  Fabric 
  Side Plastic 
  Incise 
  Pouches 
  Mesh

# Cardiovascular Drapes

## Top Drape

- Absorbent reinforcement, 29" x 10" (74 x 25 cm)
- Hook-and-loop line holders
- Adhesive along reinforced edge

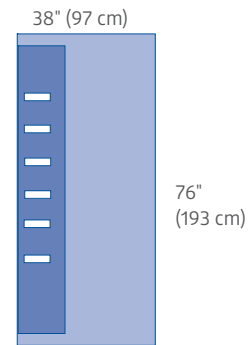
Item No.	Size	Non-Sterile Component	Pkg.
DYNJP4002	102" x 53" (259 x 135 cm)	SPT-4205A	14/cs



## CV-Side Drape

- Absorbent reinforcement, 13.5" x 72" (34 x 183 cm)
- Adhesive along reinforced edge
- Hook-and-loop line holders

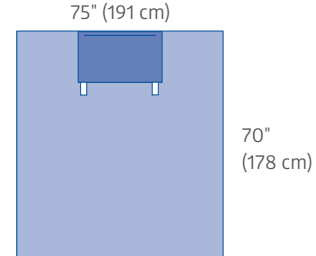
Item No.	Size	Non-Sterile Component	Pkg.
N/A	38" x 76" (97 x 193 cm)	SPT-4209A	N/A



## Bottom Drape

- Absorbent reinforcement, 29" x 16" (74 x 41 cm)
- Adhesive along reinforced edge
- Hook-and-loop line holders

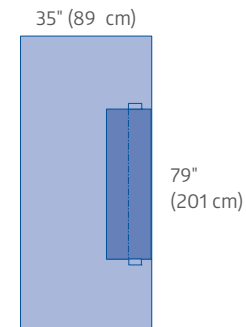
Item No.	Size	Non-Sterile Component	Pkg.
N/A	75" x 70" (191 x 178 cm)	SPT-4206A	N/A



## Side Drape

- Absorbent reinforcement, 8" x 40" (20 x 102 cm)
- Adhesive along reinforced edge
- Fabric trough, 4" x 40" (10 x 102 cm)
- Clipping tabs

Item No.	Size	Non-Sterile Component	Pkg.
N/A	35" x 79" (89 x 201 cm)	SPT-4207A	N/A



Drapes and gowns are not made with natural rubber latex or sterile unless indicated in the description.

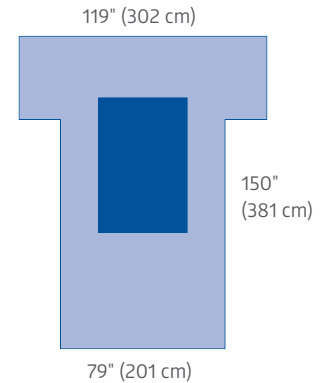
Clear
  Foam
  Plastic
  Reinforcement
  Fabric
  Side Plastic
  Incise
  Pouches
  Mesh

# Cardiovascular Drapes

## CV Drape

- Foam reinforcement, 40" x 66" (102 x 168 cm)
- Non-fenestrated
- Contoured armboard covers

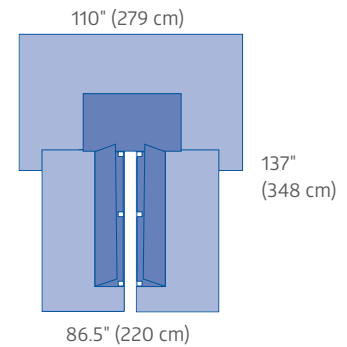
Item No.	Size	Non-Sterile Component	Pkg.
DYNJP4001	119" x 150" x 79" (302 x 381 x 201 cm)	SPT-4200A	10/cs



## CV-Split Drape

- Top-absorbent reinforcement, 29" x 45.5" (74 x 116 cm)
- Split reinforcement, 70" x 20" (178 x 51 cm)
- Split with adhesive, 6.5" x 90" (17 x 229 cm)
- Contoured armboard covers
- Clipping tabs with hook-and-loop closures

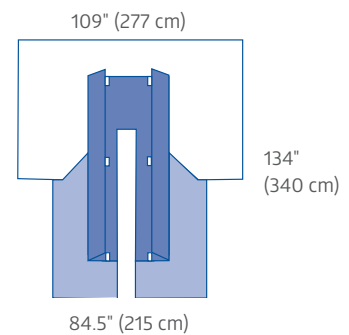
Item No.	Size	Non-Sterile Component	Pkg.
DYNJP4003	110" x 137" x 86.5" (279 x 348 x 220 cm)	SPT-4202A	8/cs



## CV-Split Drape with Clear Anesthesia Screen

- Top-absorbent reinforcement, 32" x 40" (81 x 102 cm)
- Split reinforcement, 84" x 25" (213 x 64 cm)
- Split with adhesive, 6" x 84" (15 x 213 cm)
- Clear anesthesia screen, 109" x 72" (277 x 183 cm)
- Contoured armboard covers
- Clipping tabs with hook-and-loop closures

Item No.	Size	Non-Sterile Component	Pkg.
DYNJP4006	109" x 134" x 84.5" (277 x 340 x 215 cm)	SPT-4201A	8/cs



Drapes and gowns are not made with natural rubber latex or sterile unless indicated in the description.

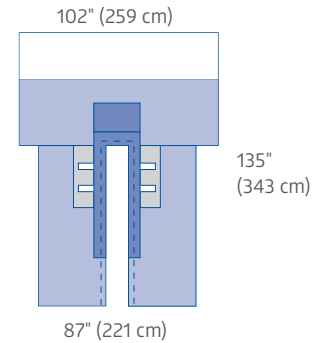
Clear
  Foam
  Plastic
  Reinforcement
  Fabric
  Side Plastic
  Incise
  Pouches
  Mesh

# Cardiovascular Drapes

## CV-Split Drape with Clear Anesthesia Screen and Pouches

- Top reinforcement with flap, 14" x 20" (36 x 51 cm)
- Split reinforcement, 9" x 57" (23 x 145 cm)
- Split with adhesive, 7" x 80" (18 x 203 cm)
- Clear anesthesia screen, 102" x 27" (259 x 69 cm)
- Clear pouches with hook and loop closures, 8" x 40" (20 x 102 cm)
- Contoured armboard covers

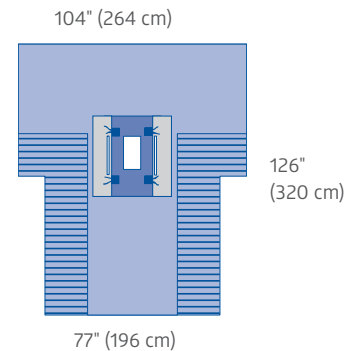
Item No.	Size	Non-Sterile Component	Pkg.
DYNJP4008	102 x 135" x 87" (259 x 343 x 221 cm)	SPT-4214A	12/cs



## Cardiovascular Drape with Pouches and Ties

- Absorbent reinforcement, 15" x 40" (38 x 102 cm)
- Fenestration with adhesive, 7" x 14" (18 x 36 cm)
- Clear fluid collection pouches with tubing ties, 8.75" x 40" (22 x 102 cm)
- Contoured armboard covers

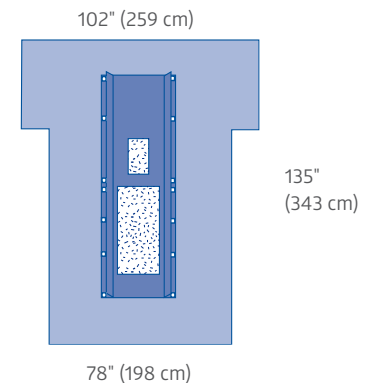
Item No.	Size	Non-Sterile Component	Pkg.
DYNJP4016	104 x 126" x 77" (264 x 320 x 196 cm)	SPT-4216A	8/cs



## Cardiovascular Incise Drape

- Film reinforcement, 108" x 46" (274 x 117 cm)
- Separate troughs for chest and legs with hook-and-loop closures: chest 6" x 49" (15 x 124 cm); legs 6" x 54" (15 x 137 cm)
- Chest incise, 14" x 18" (36 x 46 cm)
- Leg incise, 24" x 42" (61 x 107 cm)
- Armboard covers

Item No.	Size	Non-Sterile Component	Pkg.
DYNJP4004	102" x 135" x 78" (259 x 343 x 198 cm)	SPT-4203A	8/cs



Drapes and gowns are not made with natural rubber latex or sterile unless indicated in the description.

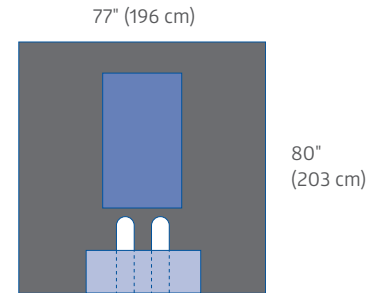
Clear
  Foam
  Plastic
  Reinforcement
  Fabric
  Side Plastic
  Incise
  Pouches
  Mesh

# Cardiovascular Drapes

## Bilateral Split Drape

- Absorbent reinforcement, 24" x 47" (61 x 119 cm)
- Two splits with tape, 6" (15 cm)
- Groin towel with adhesive

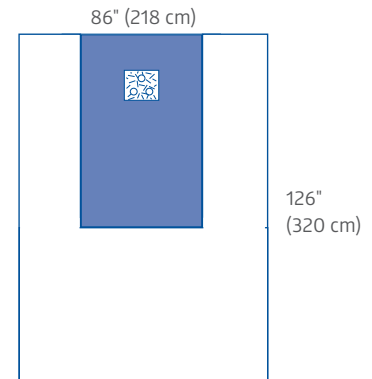
Item No.	Size	Non-Sterile Component	Pkg.
DYNJP4007	77" x 80" (196 x 203 cm)	SPT-4204A	20/cs



## Pediatric Femoral Angiography Drape

- Absorbent reinforcement, 32" x 66" (81 x 168 cm)
- Circular fenestration with incise, 1.25" (3.2 cm)

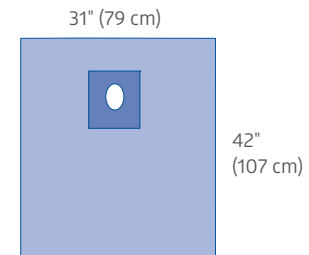
Item No.	Size	Non-Sterile Component	Pkg.
DYNJP4108	86" x 126" (218 x 320 cm)	39759	20/cs



## Special Procedure Drape

- Oval fenestration with adhesive, 3.25" x 4.25" (8 x 10 cm)

Item No.	Size	Non-Sterile Component	Pkg.
DYNJP4105	31" x 42" (79 x 107 cm)	96387	18/cs



Drapes and gowns are not made with natural rubber latex or sterile unless indicated in the description.

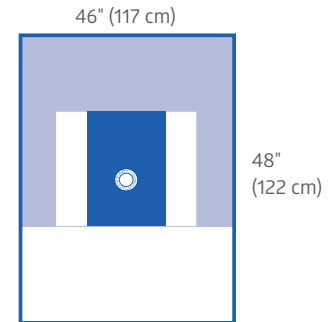
Clear
  Foam
  Plastic
  Reinforcement
  Fabric
  Side Plastic
  Incise
  Pouches
  Mesh

# Cardiovascular Drapes

## Radial Drape

- Absorbent reinforcement
- Two fluid-collection pouches
- Clear window
- 2" tape

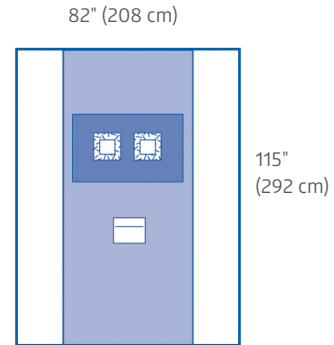
Item No.	Size	Non-Sterile Component	Pkg.
DYNJP4123	46" x 48" (117 x 122 cm)	90411	20/cs
DYNJP4123HDA	46" x 48" (117 x 122 cm)	90411HDA	20/cs



## Pacemaker Drape

- Absorbent reinforcement, 32" x 36" (81 x 91 cm)
- Dual rectangular fenestrations, 6" x 7" (15 x 18 cm) with incise
- Catheter pouch with form, 8" x 12" (20 x 30 cm)

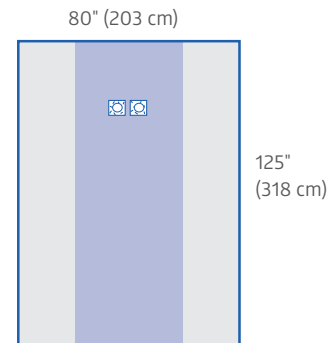
Item No.	Size	Non-Sterile Component	Pkg.
DYNJP4107	82" x 115" (208 x 292 cm)	SPT-4107A	20/cs



## Femoral Angiography Drape

- Absorbent reinforcement, full length
- Dual 6" circular fenestrations with incise, 3.5" apertures
- Clear side panels

Item No.	Size	Non-Sterile Component	Pkg.
DYNJP4102	80" x 125" (203 x 318 cm)	48544	18/cs
DYNJP4104	80" x 135" (203 x 343 cm)	48545	20/cs
DYNJP4104HDA	80" x 135" (203 x 343 cm)	48545HDA	20/cs



Drapes and gowns are not made with natural rubber latex or sterile unless indicated in the description.

Clear
  Foam
  Plastic
  Reinforcement
  Fabric
  Side Plastic
  Incise
  Pouches
  Mesh

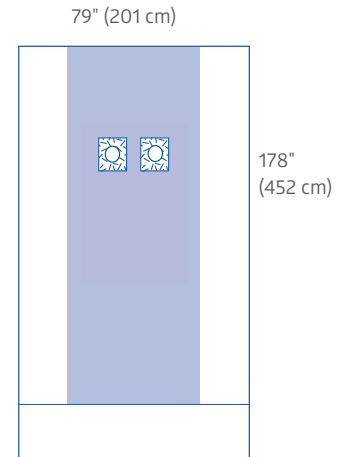


# Cardiovascular Drapes

## Pediatric Femoral Angiography Drape, with Fenestrations

- Absorbent reinforcement, 32x52" (81x132cm)
- Dual adjustable fenestrations
- Scored incise can be torn off to expose a 3" diameter fenestration instead of a 2" fenestration

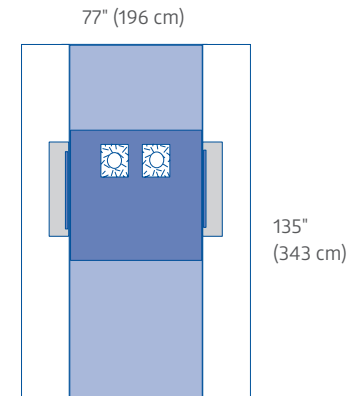
Item No.	Size	Non-Sterile Component	Pkg.
DYNJP4109	79" x 178" (201 x 452 cm)	92996	10/cs



## Femoral Angiography Drape, with Pouches

- Absorbent reinforcement, 32" x 50" (81 x 127 cm)
- Dual 5.5" fenestrations with incise, 3.5" apertures
- Clear side panels
- Clear poly fluid-collection pouches 6" x 47"

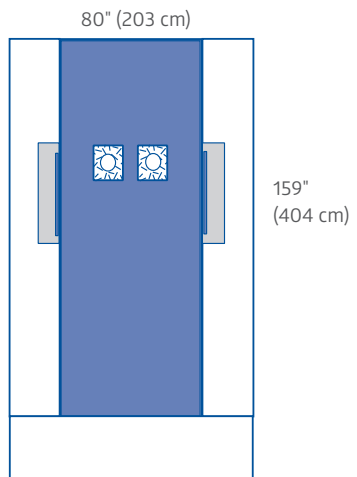
Item No.	Size	Non-Sterile Component	Pkg.
DYNJP4114	77" x 135" (196 x 343 cm)	SPT-4114A	10/cs



## Femoral Angiography Drape, with Pouches, Extra Long

- Absorbent reinforcement, 29" x 134" (74 x 340 cm)
- Dual 5.5" fenestrations with incise, 3.5" apertures
- Dual fluid-collection pouches, 9" x 30" (23 x 76 cm)
- Dual clear side panels

Item No.	Size	Non-Sterile Component	Pkg.
DYNJP4119	80" x 159" (203 x 404 cm)	SPT-4119S	8/cs
DYNJP4119HDA	80" x 159" (203 x 404 cm)	SPT-4119HDA	8/cs



Drapes and gowns are not made with natural rubber latex or sterile unless indicated in the description.

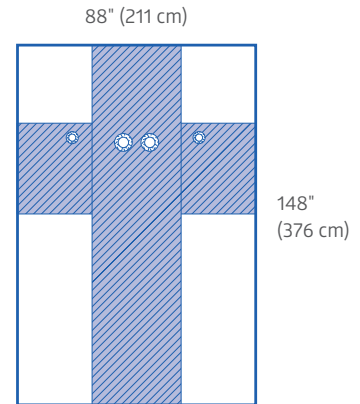
Clear
  Foam
  Plastic
  Reinforcement
  Fabric
  Side Plastic
  Incise
  Pouches
  Mesh

# Cardiovascular Drapes

## Femoral Angiography Drape, with Radial Fenestrations

- 2 femoral access fenestrations
- 2 radial access fenestrations

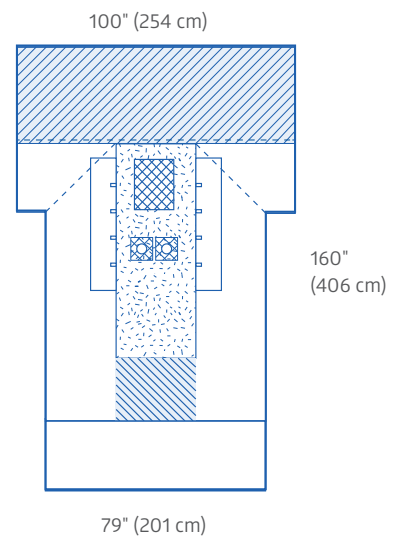
Item No.	Size	Non-Sterile Component	Pkg.
DYNJP4124	88" x 148" (211 x 376 cm)	SPT-4124	5/cs
DYNJP4124HDA	88" x 148" (211 x 376 cm)	SPT-4124HDA	5/cs



## Hybrid OR Incise Drapes, Chest/Femoral

- Two 3.5" Femoral fenestrations
- 118" x 18" (300 x 46 cm) chest incise

Item No.	Size	Non-Sterile Component	Pkg.
DYNJP4142	100" x 160" x 79" (254 x 406 x 201 cm)	97692	10/cs



Drapes and gowns are not made with natural rubber latex or sterile unless indicated in the description.

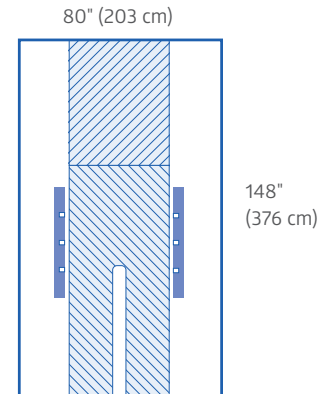
Clear
  Foam
  Plastic
  Reinforcement
  Fabric
  Side Plastic
  Incise
  Pouches
  Mesh

# Cardiovascular Drapes

## Hybrid OR Split Drapes, Chest/Femoral

- 8" x 48" (20 x 122 cm) split with adhesive
- Femoral/chest access
- 26" x 40" pouches
- Pair with top drape/bar drape for full body coverage

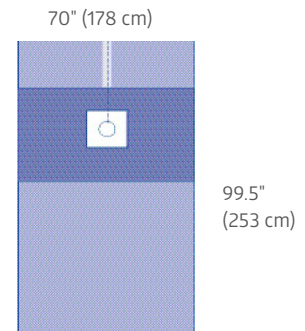
Item No.	Size	Non-Sterile Component	Pkg.
DYNJP4141	80" x 148" (203 x 376 cm)	SPT-4141	10/cs



## Central Line Drape

- 4.5" (11 cm) circular fenestrations
- 18" x 18" (46 x 46 cm) clear window around fenestration
- Central line insertion access

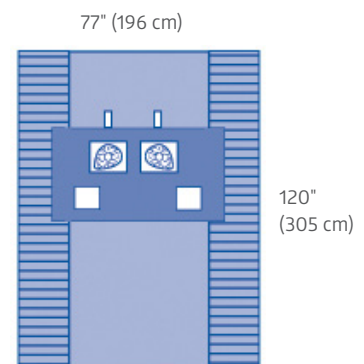
Item No.	Size	Non-Sterile Component	Pkg.
DYNJP4121	70" x 99.5" (178 x 253 cm)	48995	24/cs



## Central Line Drape Multi-Purpose

- Absorbent reinforcement, 50" x 32" (127 x 81 cm)
- 2 oval fenestrations with incise and 3.5" aperatures
- 2 square fenestrations 6" x 6" with tape
- Hook-and-loop line holders

Item No.	Size	Non-Sterile Component	Pkg.
DYNJP4117	77" x 120" (196 x 305 cm)	SPT-4117A	10/cs



Drapes and gowns are not made with natural rubber latex or sterile unless indicated in the description.

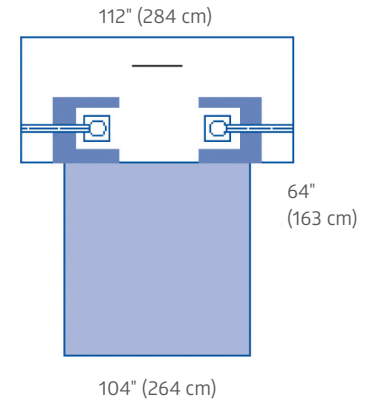
Clear
  Foam
  Plastic
  Reinforcement
  Fabric
  Side Plastic
  Incise
  Pouches
  Mesh

# Cardiovascular Drapes

## PICC Line Drape Dual Fenestration

- Two circular, PICC access points
- 112" x 41" (284 x 104 cm) clear window panel

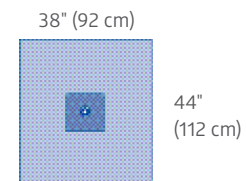
Item No.	Size	Non-Sterile Component	Pkg.
DYNJP4122	112" x 64" x 104" (284 x 163 x 264 cm)	85139	12/cs



## Brachial Angiography Drape

- 12" x 13" (30 x 33 cm) absorbent reinforcement
- 2.75" (7 cm) circular fenestration with incise

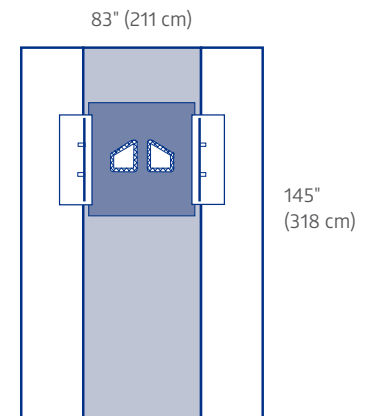
Item No.	Size	Non-Sterile Component	Pkg.
DYNJP4106	38" x 44" (92 x 112 cm)	SPT-4106A	40/cs



## Port Insertion Drape/Pacemaker Drape

- Two left and right fenestrations
- Clear side pouches

Item No.	Size	Non-Sterile Component	Pkg.
DYNJP4131	83" x 145" (211 x 318 cm)	93512	12/cs



Drapes and gowns are not made with natural rubber latex or sterile unless indicated in the description.

Clear
  Foam
  Plastic
  Reinforcement
  Fabric
  Side Plastic
  Incise
  Pouches
  Mesh

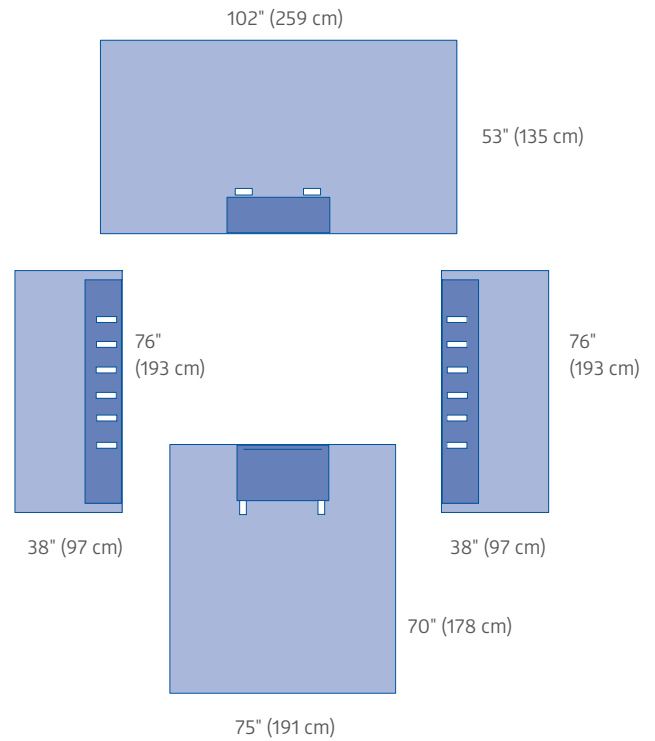
# Cardiovascular Packs

## Cardiovascular Surgical Pack 2

<b>DYNJP4010</b>	<b>Pkg.</b>
	3/cs

### Contents:

Qty.	Item Description	Size	Item No.
1	Bottom Drape with Adhesive	70 x 75" (178 x 191 cm)	N/A
2	CV-Side Drapes	38 x 76" (97 x 193 cm)	N/A
1	Top Drape with Adhesive	102 x 53" (259 x 135 cm)	DYNJP4002
1	Reinforced Table Cover	50" x 90" (127 x 229 cm)	DYNJP2316
1	Mayo Stand Cover	24" x 53" (61 x 165 cm)	DYNJP2500
1	Eclipse Poly-Reinforced Gown, with Towel in Outer Wrap	Large	DYNJP2201
2	Eclipse Poly-Reinforced Gown	X-Large	DYNJP2202
8	Utility Drapes with Tape	15" x 26" (38 x 66 cm)	DYNJP2405
6	Hand Towels	13" x 26" (33 x 66cm)	DYNJP2220
1	Paper Suture Bag		N/A



### CV-Side Drapes, Top Drape and Bottom Drape

- Absorbent reinforcement:
  - Top drape, 29 x 10" (74 x 25 cm)
  - Bottom drape, 29 x 16" (74 x 41 cm)
  - CV-Side drapes, 13.5" x 72" (34 x 183 cm)
- Adhesive along reinforced edge
- Hook-and-loop line holders on top and bottom drapes
- Side drapes have clipping tabs and fabric troughs, 4 x 40" (10 x 102 cm)
- Top drape available sterile: DYNJP4002
- Bottom drape and CV-side drapes not available sterile
- Included in pack DYNJP4010

Drapes and gowns are not made with natural rubber latex or sterile unless indicated in the description.

Clear 
  Foam 
  Plastic 
  Reinforcement 
  Fabric 
  Side Plastic 
  Incise 
  Pouches 
  Mesh

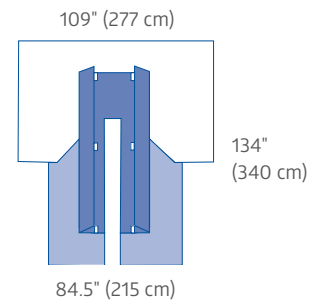
# Cardiovascular Packs

## Cardiovascular Surgical Pack 3

<b>DYNJP4020</b>	<b>Pkg.</b>
	3/cs

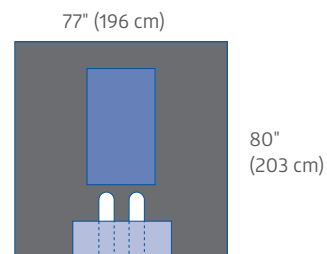
### Contents:

Qty.	Item Description	Size	Item No.
1	CV-Split Drape with Clear Anesthesia Screen	109" x 134" x 84" (277 x 340 x 213 cm)	DYNJP4006
1	Bilateral Split Drape	77" x 80" (196 x 203 cm)	DYNJP4007
1	Heavy Duty Reinforced Table Cover	79" x 110" (201 x 279 cm)	DYNJP2317
1	Mayo Stand Cover	24" x 53" (61 x 165 cm)	DYNJP2500
1	Eclipse Poly-Reinforced Gown, with Towel in Outer Wrap	Large	DYNJP2201
2	Eclipse Poly-Reinforced Gown	Large	DYNJP2201
1	Three-Quarter Drape	53" x 77" (135 x 196 cm)	DYNJP2414
8	XL Utility Drapes with Tape	20" x 30" (51 x 76 cm)	DYNJP2408
2	Hand Towels	13" x 26" (33 x 66cm)	DYNJP2220
1	Paper Suture Bag		N/A



### CV-Split Drape with Clear Anesthesia Screen

- Top-absorbent reinforcement, 32" x 40" (81 x 102 cm)
- Split reinforcement, 84" x 25" (213 x 64 cm)
- Split with adhesive, 6" x 84" (15 x 213 cm)
- Clear anesthesia screen, 109" x 72" (277 x 183 cm)
- Contoured armboard covers
- Clipping tabs with hook-and-loop closures
- Available sterile: DYNJP4006
- Included in pack DYNJP4020



### Bilateral Split Drape

- Absorbent reinforcement, 24" x 47" (61 x 119 cm)
- Two splits with tape, 6" (15 cm)
- Groin towel with adhesive
- Available sterile: DYNJP4007
- Included in pack DYNJP4020

Drapes and gowns are not made with natural rubber latex or sterile unless indicated in the description.

Clear
  Foam
  Plastic
  Reinforcement
  Fabric
  Side Plastic
  Incise
  Pouches
  Mesh

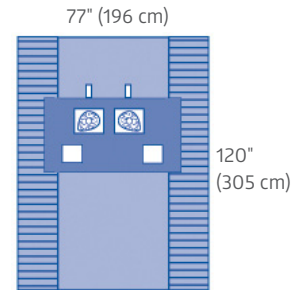
# Cardiovascular Packs

## Barrier Precautions Central Line Pack

<b>DYNJP4120</b>	<b>Pkg.</b>
	6/cs

**Contents:**

Qty.	Item Description	Size	Item No.
1	Central Line Drape	77 x 120" (196 x 305 cm)	DYNJP4117
1	Aurora Non-Reinforced Gown	X-Large	DYNJP2702
1	Bouffant Cap		N/A
1	Mask with Face Shield and Ear Loops		N/A
1	SMS Wrap	36" x 36" (91 x 91 cm)	N/A



**Central Line Drape**

- Absorbent reinforcement, 50" x 32" (127 x 81 cm)
- 2 oval fenestrations with incise and 3.5" apertures
- 2 square fenestrations 6" x 6" with tape
- Hook-and-loop line holders
- Available sterile: DYNJP4117
- Included in pack DYNJP4120

Drapes and gowns are not made with natural rubber latex or sterile unless indicated in the description.

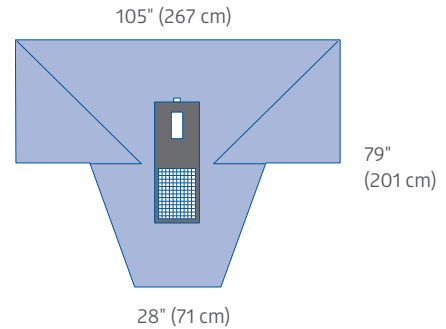
Clear
  Foam
  Plastic
  Reinforcement
  Fabric
  Side Plastic
  Incise
  Pouches
  Mesh

# Cystoscopy Drapes

## Cystoscopy Drape with Attached Leggings

- Film reinforcement, 13" x 36" (33 x 91 cm)
- Fenestration, 3" x 7" (8 x 18 cm)
- Mesh screen, 10" x 10" (25 x 25 cm)
- Hook-and-loop line holders

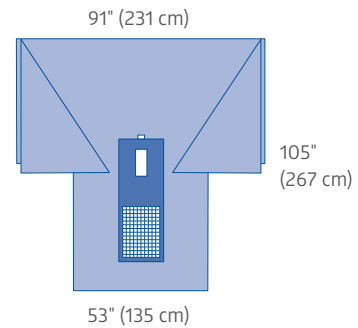
Item No.	Size	Non-Sterile Component	Pkg.
N/A	105" x 79" x 28" (267 x 201 x 71 cm)	SPT-5091S	N/A



## Cystoscopy Drape with Attached Leggings

- Absorbent reinforcement, 18" x 41.5" (46 x 105 cm)
- Fenestration, 2.5" x 6" (6 x 15 cm)
- Mesh screen, 10" x 10" (25 x 25 cm)
- Hook-and-loop line holders

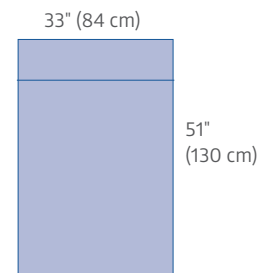
Item No.	Size	Non-Sterile Component	Pkg.
N/A	91" x 105" x 53" (231 x 267 x 135 cm)	SPT-5091A	N/A



## Leggings

- 6" (15 cm) cuff

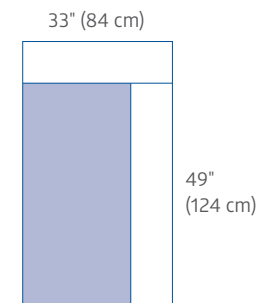
Item No.	Size	Non-Sterile Component	Pkg.
DYNJP2460	29" x 43" (74 x 109 cm)	12147	2/pkg, 20pk/cs
DYNJP2460A	31" x 48" (79 x 122 cm)	12147A	2/pkg, 20pk/cs
DYNJP2461	33" x 51" (84 x 130 cm), X-Large	27478	2/pkg, 20pk/cs



## Clear Leggings

- 6" (15 cm) cuff

Item No.	Size	Non-Sterile Component	Pkg.
DYNJP2462	33" x 49" (84 x 124 cm)	SPT-2462R/ SPT-2462L	2/pkg, 20pk/cs



Drapes and gowns are not made with natural rubber latex or sterile unless indicated in the description.

Clear
  Foam
  Plastic
  Reinforcement
  Fabric
  Side Plastic
  Incise
  Pouches
  Mesh

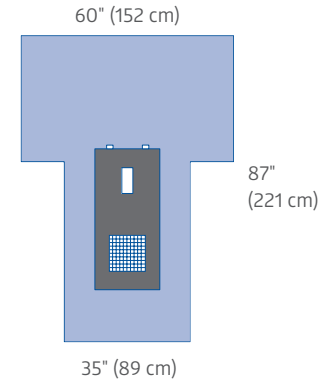


# Cystoscopy Drapes

## Cystoscopy T-Drape

- Film reinforcement, 18" x 39" (46 x 99 cm)
- Fenestration, 3" x 7" (8 x 18 cm)
- Mesh screen, 10" x 10" (25 x 25 cm)
- Hook-and-loop line holders

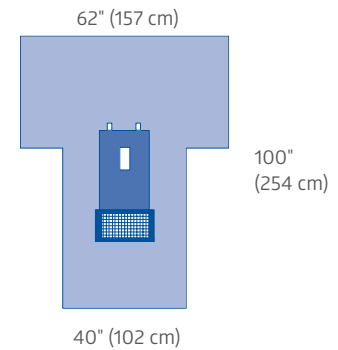
Item No.	Size	Non-Sterile Component	Pkg.
DYNJP5001	60" x 87" x 35" (152 x 221 x 89 cm)	SPT-5090A	16/cs



## Large Cystoscopy T-Drape

- Absorbent reinforcement, 16" x 23" (41 x 58 cm)
- Fenestration, 3" x 7" (8 x 18 cm)
- Mesh screen, 10" x 16" (25 x 41 cm)
- Hook-and-loop line holders

Item No.	Size	Non-Sterile Component	Pkg.
DYNJP5002	62" x 100" x 40" (157 x 254 x 102 cm)	SPT-5092A	N/A



Drapes and gowns are not made with natural rubber latex or sterile unless indicated in the description.

Clear
  Foam
  Plastic
  Reinforcement
  Fabric
  Side Plastic
  Incise
  Pouches
  Mesh

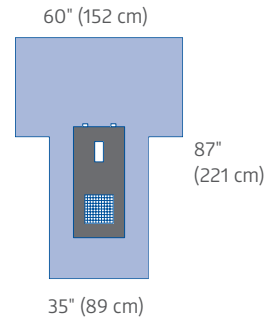
# Cystoscopy Packs

## Cystoscopy Surgical Pack 1

<b>DYNJP5000A</b>	<b>Pkg.</b>
	14/cs

### Contents:

Qty.	Item Description	Size	Item No.
1	Cystoscopy T-Drape	60" x 87" x 35" (152 x 221 x 89 cm)	DYNJP5001
2	Leggings	31" x 48" (79 x 122 cm)	DYNJP2460A
1	Reinforced Table Cover	44" x 76" (112 x 193 cm)	DYNJP2309
1	Hand Towels	13" x 26" (33 x 66cm)	DYNJP2220



### Central Line Drape

- Film reinforcement, 18" x 39" (46 x 99 cm)
- Fenestration, 3" x 7" (8 x 18 cm)
- Mesh screen, 10" x 10" (25 x 25 cm)
- Hook-and-loop line holders
- Available sterile: DYNJP5001
- Included in packs DYNJP5000A, DYNJP5020, DYNJP5020A, DYNJP5040 and DYNJP5070

Drapes and gowns are not made with natural rubber latex or sterile unless indicated in the description.

Clear 
  Foam 
  Plastic 
  Reinforcement 
  Fabric 
  Side Plastic 
  Incise 
  Pouches 
  Mesh

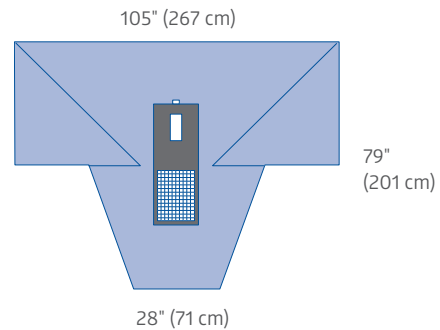
# Cystoscopy Packs

## Cystoscopy Surgical Pack 2

<b>DYNJP5010</b>	<b>Pkg.</b>
	10/cs

**Contents:**

Qty.	Item Description	Size	Item No.
1	Cystoscopy Drape with Attached Leggings	105" x 79" x 28" (267 x 201 x 71 cm)	N/A
1	Reinforced Table Cover	44" x 76" (112 x 193 cm)	DYNJP2309
1	Hand Towels	13" x 26" (33 x 66cm)	DYNJP2220



**Cystoscopy Drape with Attached Leggings**

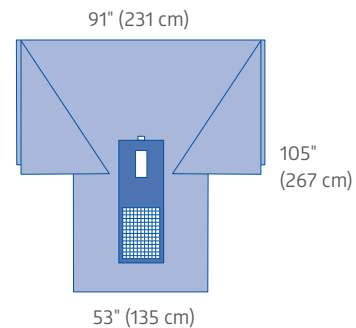
- Film reinforcement, 13" x 36" (33 x 91 cm)
- Fenestration, 3" x 7" (8 x 18 cm)
- Mesh screen, 10" x 10" (25 x 25 cm)
- Hook-and-loop line holders
- Not available sterile
- Included in pack DYNJP5010

## Cystoscopy Surgical Pack 2

<b>DYNJP5010A</b>	<b>Pkg.</b>
	10/cs

**Contents:**

Qty.	Item Description	Size	Item No.
1	Cystoscopy Drape with Attached Leggings	91" x 105" x 53" (231 x 267 x 135 cm)	N/A
1	Reinforced Table Cover	44" x 76" (112 x 193 cm)	DYNJP2309
1	Hand Towels	13" x 26" (33 x 66cm)	DYNJP2220



**Cystoscopy Drape with Attached Leggings**

- Absorbent reinforcement, 18" x 41.5" (46 x 105 cm)
- Fenestration, 2.5" x 6" (6 x 15 cm)
- Mesh screen, 10" x 10" (25 x 25 cm)
- Hook-and-loop line holders
- Not available sterile
- Included in pack DYNJP5010

Drapes and gowns are not made with natural rubber latex or sterile unless indicated in the description.

Clear 
  Foam 
  Plastic 
  Reinforcement 
  Fabric 
  Side Plastic 
  Incise 
  Pouches 
  Mesh

# Cystoscopy Packs

## Cystoscopy Surgical Pack 3

<b>DYNJP5020</b>	<b>Pkg.</b>
	8/cs

### Contents:

Qty.	Item Description	Size	Item No.
1	Cystoscopy T-Drape	60" x 87" x 35" (152 x 221 x 89 cm)	DYNJP5001
2	Leggings	29" x 43" (74 x 109 cm)	DYNJP2460
1	Reinforced Table Cover	44" x 76" (112 x 193 cm)	DYNJP2309
1	Eclipse Poly-Reinforced Gown	X-Large, X-Long	DYNJP2205
2	Hand Towels	13" x 26" (33 x 66cm)	DYNJP2220

<b>DYNJP5020A</b>	<b>Pkg.</b>
	8/cs

### Contents:

Qty.	Item Description	Size	Item No.
1	Cystoscopy T-Drape	60" x 87" x 35" (152 x 221 x 89 cm)	DYNJP5001
2	Leggings	31" x 48" (79 x 122 cm)	DYNJP2460A
1	Reinforced Table Cover	44" x 76" (112 x 193 cm)	DYNJP2309
1	Aurora Poly-Reinforced Gown	X-Large, X-Long	DYNJP2725
2	Hand Towels	13" x 26" (33 x 66cm)	DYNJP2220

<b>DYNJP5020SI</b>	<b>Pkg.</b>
	8/cs

### Contents:

Qty.	Item Description	Size	Item No.
1	Cystoscopy T-Drape	60" x 87" x 35" (152 x 221 x 89 cm)	DYNJP5001
2	Leggings	29" x 43" (74 x 109 cm)	DYNJP2460
1	Reinforced Table Cover	44" x 76" (112 x 193 cm)	DYNJP2309
1	Sirus Poly-Reinforced Gown	X-Large, X-Long	DYNJP2205S
2	Hand Towels	13" x 26" (33 x 66cm)	DYNJP2220

## Cystoscopy Surgical Pack 5

<b>DYNJP5040</b>	<b>Pkg.</b>
	14/cs

### Contents:

Qty.	Item Description	Size	Item No.
1	Cystoscopy T-Drape	60" x 87" x 35" (152 x 221 x 89 cm)	DYNJP5001
2	X-Large Leggings	33" x 51" (84 x 130 cm)	DYNJP2461
1	Reinforced Table Cover	44" x 76" (112 x 193 cm)	DYNJP2309
2	Hand Towels	13" x 26" (33 x 66cm)	DYNJP2220

## Cystoscopy Surgical Pack 8

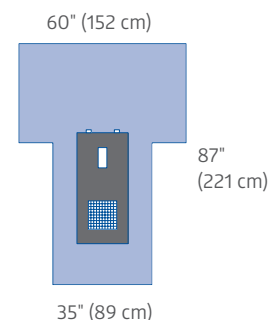
<b>DYNJP5070</b>	<b>Pkg.</b>
	10/cs

### Contents:

Qty.	Item Description	Size	Item No.
1	Cystoscopy T-Drape	60" x 87" x 35" (152 x 221 x 89 cm)	DYNJP5001
2	X-Large Leggings	33" x 51" (84 x 130 cm)	DYNJP2461
1	Reinforced Table Cover	44" x 76" (112 x 193 cm)	DYNJP2309
1	Specialty Gown with Pleat	X-Large	DYNJP2304
2	Hand Towels	13" x 26" (33 x 66cm)	DYNJP2220

### Central Line Drape

- Film reinforcement, 18" x 39" (46 x 99 cm)
- Fenestration, 3" x 7" (8 x 18 cm)
- Mesh screen, 10" x 10" (25 x 25 cm)
- Hook-and-loop line holders
- Available sterile: DYNJP5001
- Included in packs DYNJP5000A, DYNJP5020, DYNJP5020A, DYNJP5040 and DYNJP5070



Drapes and gowns are not made with natural rubber latex or sterile unless indicated in the description.

Clear 
  Foam 
  Plastic 
  Reinforcement 
  Fabric 
  Side Plastic 
  Incise 
  Pouches 
  Mesh

# Cystoscopy Packs

## Cystoscopy Surgical Pack 6

<b>DYNJP5050</b>	<b>Pkg.</b>
	14/cs

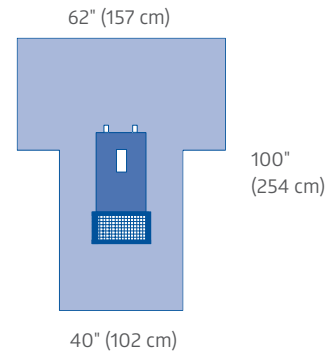
**Contents:**

Qty.	Item Description	Size	Item No.
1	Cystoscopy T-Drape	62" x 100" x 40" (157 x 254 x 102 cm)	N/A
2	X-Large Leggings	33" x 51" (84 x 130 cm)	DYNJP2461
1	Reinforced Table Cover	44" x 76" (112 x 193 cm)	DYNJP2309
1	Hand Towel	13" x 26" (33 x 66cm)	DYNJP2220

<b>DYNJP5050A</b>	<b>Pkg.</b>
	14/cs

**Contents:**

Qty.	Item Description	Size	Item No.
1	Cystoscopy T-Drape	62" x 100" x 40" (157 x 254 x 102 cm)	N/A
2	Leggings	31" x 48" (79 x 122 cm)	DYNJP2460A
1	Reinforced Table Cover	44" x 76" (112 x 193 cm)	DYNJP2309
1	Hand Towel	13" x 26" (33 x 66cm)	DYNJP2220



**Large Cystoscopy T-Drape**

- Absorbent reinforcement, 16" x 23" (41 x 58 cm)
- Fenestration, 3" x 7" (8 x 18 cm)
- Mesh screen, 10" x 16" (25 x 41 cm)
- Hook-and-loop line holders
- Not available sterile
- Included in pack DYNJP5050 and DYNJP5050A

Drapes and gowns are not made with natural rubber latex or sterile unless indicated in the description.

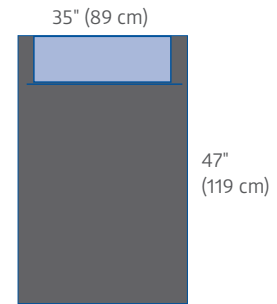
Clear 
  Foam 
  Plastic 
  Reinforcement 
  Fabric 
  Side Plastic 
  Incise 
  Pouches 
  Mesh

# Obstetrics Drapes

## Underbuttocks Drape with Cuff

- Cuff, 7" (18 cm)

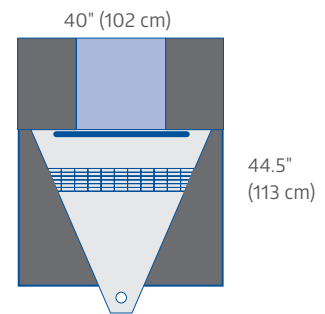
Item No.	Size	Non-Sterile Component	Pkg.
DYNJP6001	35" x 47" (89 x 119 cm)	SPT-2490	40/cs



## Underbuttocks Drape with Pouch and Backing

- Fluid control pouch with screen and port backing for splash protection, 29" x 32" (74 x 81 cm)

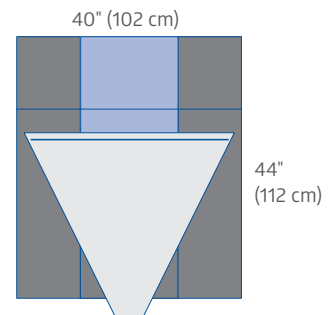
Item No.	Size	Non-Sterile Component	Pkg.
DYNJP6004	40" x 44.5" (102 x 113 cm)	SPT-6004	20/cs



## Underbuttocks Drape with Backing, Pouch and No Port

- Fluid collection pouch, 45" x 25" (114 x 64 cm)

Item No.	Size	Non-Sterile Component	Pkg.
N/A	40" x 44" (102 x 112 cm)	SPT-2493	N/A



Drapes and gowns are not made with natural rubber latex or sterile unless indicated in the description.

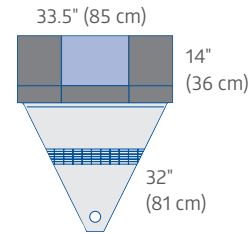
Clear
  Foam
  Plastic
  Reinforcement
  Fabric
  Side Plastic
  Incise
  Pouches
  Mesh

# Obstetrics Drapes

## Underbuttocks Drape with Pouch and Port

- Fluid control pouch with screen and port, 33.5" x 32" (85 x 81 cm)

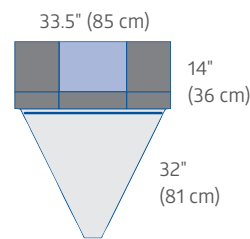
Item No.	Size	Non-Sterile Component	Pkg.
DYNJP6002	33.5" x 46" (85 x 117 cm)	08454	20/cs



## Underbuttocks Drape with Pouch and No Port

- Fluid collection pouch, 33.5" x 32" (85 x 81 cm)

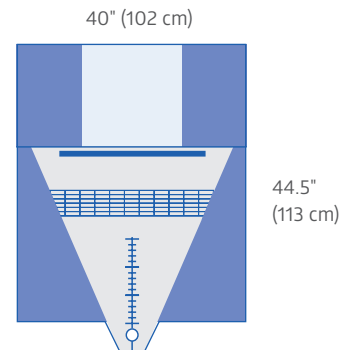
Item No.	Size	Non-Sterile Component	Pkg.
N/A	33.5" x 46" (85 x 117 cm)	SPT-2495	N/A



## Underbuttocks Drape with Black Graduation Marks and Port

- Graduated fluid control pouch with screen and port, 29" x 32" (74 x 81 cm)
- Backing for splash protection

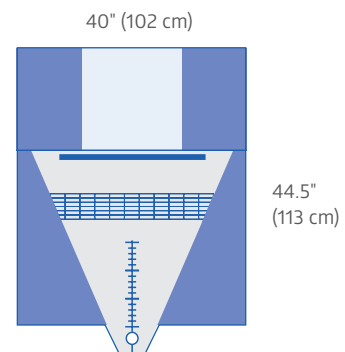
Item No.	Size	Non-Sterile Component	Pkg.
DYNJP6006	40 x 44.5" (102 x 113 cm)	81684	20/cs



## Underbuttocks Drape with White Graduation Marks and Cap/Port

- Fluid control pouch with white graduation marks, screen and cap/port, 29" x 32" (74 x 81 cm)
- Backing for splash protection

Item No.	Size	Non-Sterile Component	Pkg.
DYNJP6006W	40 x 44.5" (102 x 113 cm)	81684W	20/cs



Drapes and gowns are not made with natural rubber latex or sterile unless indicated in the description.

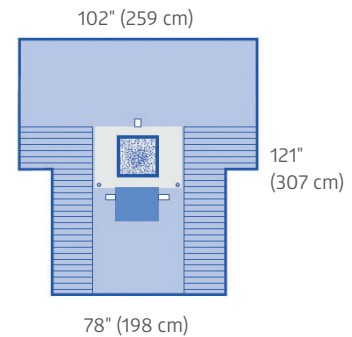
Clear
  Foam
  Plastic
  Reinforcement
  Fabric
  Side Plastic
  Incise
  Pouches
  Mesh

# Obstetrics Drapes

## C-Section Drape with Pouch and Full Incise

- Absorbent reinforcement, 20" x 15" (51 x 38 cm)
- Block incise, 15" x 13" (38 x 33 cm)
- 360° fluid control pouch with formers, 38" x 28" (97 x 71 cm)
- Contoured armboard covers
- Hook-and-loop line holders

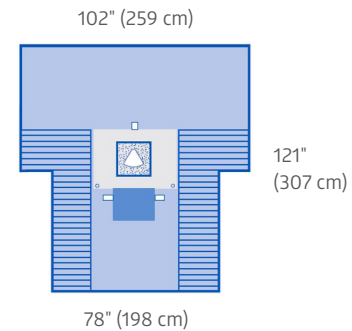
Item No.	Size	Non-Sterile Component	Pkg.
DYNJP6101	102" x 121" x 78" (259 x 307 x 198 cm)	SPT-2630A	7/cs



## C-Section Drape with Pouch and Pre-cut Fenestration and Incise

- Absorbent reinforcement, 20" x 15" (51 x 38 cm)
- 15" x 13" (38 x 33 cm) incise area with pear-shaped fenestration, 7" x 7" (18 x 18 cm)
- 360° fluid control pouch with formers, 38" x 28" (97 x 71 cm)
- Contoured armboard covers
- Hook-and-loop line holders

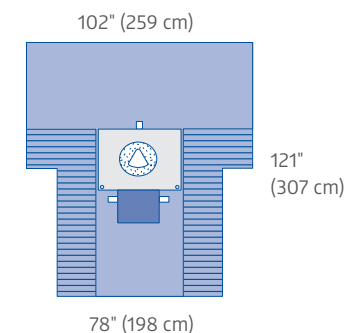
Item No.	Size	Non-Sterile Component	Pkg.
DYNJP6102	102" x 121" x 78" (259 x 307 x 198 cm)	SPT-2640A	7/cs



## C-Section Drape with Pouch and Pre-cut Fenestration and Incise

- Absorbent reinforcement, 20" x 15" (51 x 38 cm)
- 15" x 13" (38 x 33 cm) incise area with pear-shaped fenestration, 7" x 7" (18 x 18 cm)
- 360° fluid control pouch with formers, 38" x 28" (97 x 17 cm)
- Foam surrounding pouch edge
- Contoured armboard covers
- Hook-and-loop line holders

Item No.	Size	Non-Sterile Component	Pkg.
DYNJP6103	102" x 121" x 78" (259 x 307 x 198 cm)	SPT-2660A	7/cs



Drapes and gowns are not made with natural rubber latex or sterile unless indicated in the description.

Clear
  Foam
  Plastic
  Reinforcement
  Fabric
  Side Plastic
  Incise
  Pouches
  Mesh

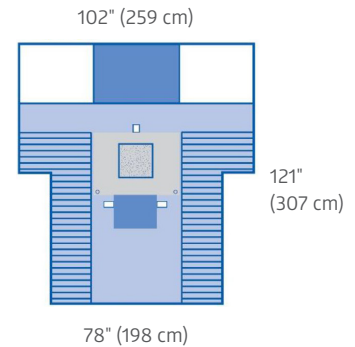


# Obstetrics Drapes

## Family-Friendly See-Section® Drape with Pouch

- Absorbent reinforcement, 20" x 15" (51 x 38 cm)
- Block incise, 15" x 13" (38 x 33 cm)
- 360° fluid control pouch with formers, 38" x 28" (97 x 17 cm)
- Optional clear-viewing screen that detaches and attaches easily
- Contoured armboard covers
- Hook-and-loop line holders

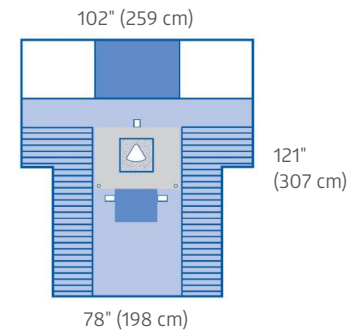
Item No.	Size	Non-Sterile Component	Pkg.
DYNJP6106	102" x 121" x 78" (259 x 307 x 198 cm)	SPT-6106	7/cs



## Family-Friendly See-Section® Drape with Fenestration and Pouch

- Absorbent reinforcement, 20" x 15" (51 x 38 cm)
- 15" x 13" (38" x 33 cm) incise area with pear-shaped fenestration, 7" x 7" (18" x 18 cm)
- 360° fluid control pouch with formers, 38" x 28" (97 x 17 cm)
- Optional clear-viewing screen that detaches and attaches easily
- Contoured armboard covers
- Hook-and-loop line holders

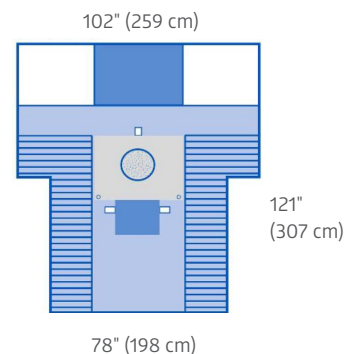
Item No.	Size	Non-Sterile Component	Pkg.
DYNJP6108	102 x 121" x 78" (259 x 307 x 198 cm)	SPT-6108	7/cs



## Family-Friendly See-Section® Drape with Foam Ring

- Absorbent reinforcement, 20" x 15" (51 x 38 cm)
  - Block incise, 15" x 13" (38 x 33 cm)
  - 360° fluid control pouch with foam ring, 38" x 28" (97 x 17 cm)
- Optional clear-viewing screen that detaches and attaches easily
- Contoured armboard covers
- Hook-and-loop line holders

Item No.	Size	Non-Sterile Component	Pkg.
DYNJP6107	102" x 121" x 78" (259 x 307 x 198 cm)	SPT-6107	7/cs



Drapes and gowns are not made with natural rubber latex or sterile unless indicated in the description.

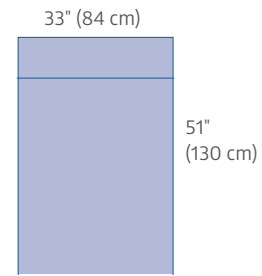
Clear
  Foam
  Plastic
  Reinforcement
  Fabric
  Side Plastic
  Incise
  Pouches
  Mesh

# Obstetrics Drapes

## Leggings

- 6" (15 cm) cuff

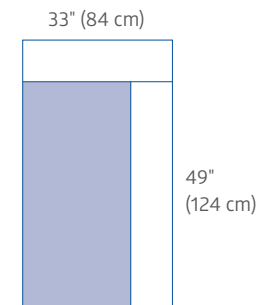
Item No.	Size	Non-Sterile Component	Pkg.
DYNJP2460	29" x 43" (74 x 109 cm)	12147	2/pkg, 20pk/cs
DYNJP2460A	31" x 48" (79 x 122 cm)	12147A	2/pkg, 20pk/cs
DYNJP2461	33" x 51" (84 x 130 cm), X-Large	27478	2/pkg, 20pk/cs



## Clear Leggings

- 6" (15 cm) cuff

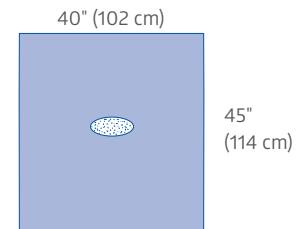
Item No.	Size	Non-Sterile Component	Pkg.
DYNJP2462	33" x 49" (84 x 124 cm)	SPT-2462R/ SPT-2462L	2/pkg, 20pk/cs



## Adherent Window Drape

- Oval incise, 3.5" x 7.5" (9 x 19 cm)

Item No.	Size	Non-Sterile Component	Pkg.
DYNJP2493	40" x 45" (102 x 114 cm)	SPT-3190A	34/cs



Drapes and gowns are not made with natural rubber latex or sterile unless indicated in the description.

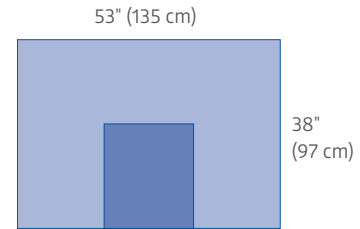
Clear 
  Foam 
  Plastic 
  Reinforcement 
  Fabric 
  Side Plastic 
  Incise 
  Pouches 
  Mesh

# Obstetrics Drapes

## Abdominal Drape

- Absorbent reinforcement, 21" x 18" (53 x 46 cm)
- Adhesive

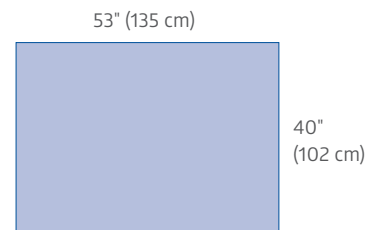
Item No.	Size	Non-Sterile Component	Pkg.
N/A	53" x 38" (135 x 97 cm)	SPT-2600A	N/A



## Economy Abdominal Drape

- Adhesive

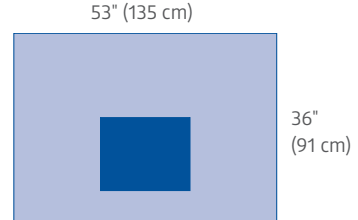
Item No.	Size	Non-Sterile Component	Pkg.
N/A	53" x 40" (135 x 102 cm)	07479	N/A



## Economy Abdominal Drape with Foam

- Foam reinforcement, 19 x 11" (48 x 28 cm)
- Adhesive

Item No.	Size	Non-Sterile Component	Pkg.
N/A	53" x 36" (135 x 91 cm)	05902	N/A



Drapes and gowns are not made with natural rubber latex or sterile unless indicated in the description.

Clear
  Foam
  Plastic
  Reinforcement
  Fabric
  Side Plastic
  Incise
  Pouches
  Mesh

# Obstetrics Packs

## Obstetrics Surgical Pack 1

<b>DYNJP6000</b>	<b>Pkg.</b>
	6/cs

### Contents:

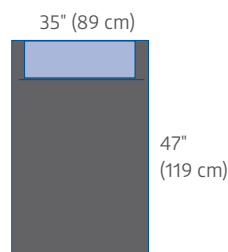
Qty.	Item Description	Size	Item No.
1	Abdominal Drape with Adhesive	38" x 53" (97 x 135 cm)	N/A
1	Underbuttocks Drape with Cuff	35" x 47" (89 x 119 cm)	DYNJP6001
2	Leggings	29" x 43" (74 x 109 cm)	DYNJP2460
1	Reinforced Table Cover	44" x 76" (112 x 193 cm)	DYNJP2309
1	Medium Setup Cover	40" x 70" (102 x 178 cm)	N/A
10	Gauze Sponges, X-Ray Detectable	4" x 4" (10 x 10 cm), 16 ply	N/A
2	Hand Towels	13" x 26" (33 x 66cm)	DYNJP2220
2	OB Pads	11" (28 cm)	N/A
1	Placenta Basin		N/A
1	Umbilical Cord Clamp		N/A
1	Vaginal Packing Sponge, X-Ray Detectable	4" x 36" (10 x 91 cm)	N/A

## Obstetrics/Gynecology Surgical Pack 2

<b>DYNJP6010</b>	<b>Pkg.</b>
	6/cs

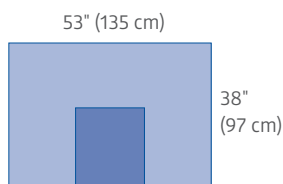
### Contents:

Qty.	Item Description	Size	Item No.
1	Abdominal Drape with Adhesive	38" x 53" (97 x 135 cm)	N/A
1	Underbuttocks Drape with Cuff	35" x 47" (89 x 119 cm)	DYNJP6001
2	Leggings	29" x 43" (74 x 109 cm)	DYNJP2460
1	Reinforced Table Cover	44" x 76" (112 x 193 cm)	DYNJP2309
1	Medium Setup Cover	40" x 70" (102 x 178 cm)	N/A
1	Eclipse Poly-Reinforced Gown	Large	DYNJP2201
1	Baby Blanket	30" x 34" (76 x 86 cm)	N/A
1	Ear/Ulcer Syringe	2 oz	N/A
10	Gauze Sponges, X-Ray Detectable	4" x 4" (10 x 10 cm), 16 ply	N/A
3	Hand Towels	13" x 26" (33 x 66cm)	DYNJP2220
2	OB Pads	11" (28 cm)	N/A
1	Placenta Basin		N/A
1	Umbilical Cord Clamp		N/A
1	Vaginal Packing Sponge, X-Ray Detectable	4" x 36" (10 x 91 cm)	N/A



### Underbuttocks Drape with Cuff

- Cuff, 7" (18 cm)
- Available sterile DYNJP6001
- Included in packs DYNJP6000 and DYNJP6010



### Abdominal Drape

- Absorbent reinforcement, 21" x 18" (53 x 46 cm)
- Adhesive
- Not available sterile
- Included in packs DYNJP6000, DYNJP6010, DYNJP6020, DYNJP6020S, DYNJP6020A and DYNJP6060S

Drapes and gowns are not made with natural rubber latex or sterile unless indicated in the description.

Clear
  Foam
  Plastic
  Reinforcement
  Side Plastic
  Incise
  Pouches
  Mesh

# Obstetrics Packs

## Obstetrics/Gynecology Surgical Pack 3

<b>DYNJP6020</b>	<b>Pkg.</b>
	6/cs

### Contents:

Qty.	Item Description	Size	Item No.
1	Abdominal Drape with Adhesive	38" x 53" (97 x 135 cm)	N/A
1	Underbuttocks Drape with Pouch and Port	33.5" x 46" (85 x 117 cm)	DYNJP6002
2	Leggings	29" x 43" (74 x 109 cm)	DYNJP2460
1	Reinforced Table Cover	44" x 76" (112 x 193 cm)	DYNJP2309
1	Medium Setup Cover	40" x 70" (102 x 178 cm)	N/A
1	Eclipse Poly-Reinforced Gown	Large	DYNJP2201
1	Baby Blanket	30" x 34" (76 x 86 cm)	N/A
1	Ear/Ulcer Syringe	2 oz	N/A
1	Ear/Ulcer Syringe	3 oz	N/A
10	Gauze Sponges, X-Ray Detectable	4" x 4" (10 x 10 cm), 16 ply	N/A
3	Hand Towels	13" x 26" (33 x 66cm)	DYNJP2220
2	OB Pads	11" (28 cm)	N/A
1	Placenta Basin		N/A
1	Umbilical Cord Clamp		N/A
1	Vaginal Packing Sponge, X-Ray Detectable	4" x 36" (10 x 91 cm)	N/A

<b>DYNJP6020S</b>	<b>Pkg.</b>
	6/cs

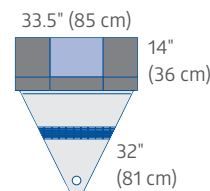
### Contents:

Qty.	Item Description	Size	Item No.
1	Abdominal Drape with Adhesive	38" x 53" (97 x 135 cm)	N/A
1	Underbuttocks Drape with Pouch and Port	33.5" x 46" (85 x 117 cm)	DYNJP6002
2	Leggings	29" x 43" (74 x 109 cm)	DYNJP2460
1	Reinforced Table Cover	44" x 76" (112 x 193 cm)	DYNJP2309
1	Medium Setup Cover	40" x 70" (102 x 178 cm)	N/A
1	Sirus Poly-Reinforced Gown	Large	DYNJP2201S
1	Baby Blanket	30" x 34" (76 x 86 cm)	N/A
1	Ear/Ulcer Syringe	2 oz	N/A
1	Ear/Ulcer Syringe	3 oz	N/A
10	Gauze Sponges, X-Ray Detectable	4" x 4" (10 x 10 cm), 16 ply	N/A
1	Hand Towel	13" x 26" (33 x 66cm)	DYNJP2220
2	OB Pads	11" (28 cm)	N/A
1	Placenta Basin		N/A
1	Umbilical Cord Clamp		N/A
1	Vaginal Packing Sponge, X-Ray Detectable	4" x 36" (10 x 91 cm)	N/A

<b>DYNJP6020A</b>	<b>Pkg.</b>
	6/cs

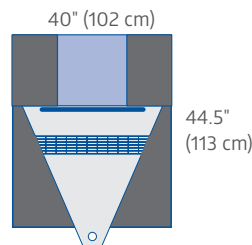
### Contents:

Qty.	Item Description	Size	Item No.
1	Abdominal Drape with Adhesive	38" x 53" (97 x 135 cm)	N/A
1	Underbuttocks Drape with Fluid Collection Pouch	33.5" x 46" (85 x 117 cm)	DYNJP6004
2	Leggings	31" x 48" (79 x 122 cm)	DYNJP2460A
1	Reinforced Table Cover	44" x 76" (112 x 193 cm)	DYNJP2309
1	Medium Setup Cover	40" x 70" (102 x 178 cm)	N/A
1	Aurora Poly-Reinforced Raglan Sleeve Gown	Large	DYNJP2807
1	Baby Blanket	30" x 34" (76 x 86 cm)	N/A
1	Ear/Ulcer Syringe	2 oz	N/A
1	Ear/Ulcer Syringe	3 oz	N/A
10	Gauze Sponges, X-Ray Detectable	4" x 4" (10 x 10 cm), 16 ply	N/A
3	Hand Towels	13" x 26" (33 x 66cm)	DYNJP2220
2	OB Pads	11" (28 cm)	N/A
1	Placenta Basin		N/A
1	Placenta Basin Lid		N/A
1	Umbilical Cord Clamp		N/A
1	Vaginal Packing Sponge, X-Ray Detectable	4" x 36" (10 x 91 cm)	N/A



### Underbuttocks Drape with Pouch and Port

- Fluid control pouch with screen and port, 33.5" x 32" (85 x 81 cm)
- Available sterile DYNJP6002
- Included in packs DYNJP6020 and DYNJP6020S



### Underbuttocks Drape with Pouch and Backing

- Fluid control pouch with screen and port backing for splash protection, 29" x 32" (74 x 81 cm)
- Available sterile DYNJP6004
- Included in pack DYNJP6020A

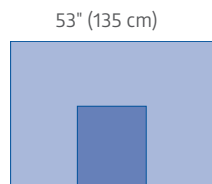
# Obstetrics Packs

## Obstetrics/Gynecology Surgical Pack 3

<b>DYNJP6060S</b>	<b>Pkg.</b>
	6/cs

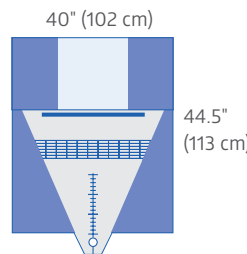
### Contents:

Qty.	Item Description	Size	Item No.
1	Abdominal Drape with Adhesive	38" x 53" (97 x 135 cm)	N/A
1	Underbuttocks Drape with Black Graduation Marks and Port	40" x 44.5" (102 x 113 cm)	DYNJP6006
2	Leggings	29" x 43" (74 x 109 cm)	DYNJP2460
1	Reinforced Table Cover	44" x 76" (112 x 193 cm)	DYNJP2309
1	Medium Setup Cover	40" x 70" (102 x 178 cm)	N/A
1	Sirus Poly-Reinforced Gown	Large	DYNJP22015
1	Baby Blanket	30" x 34" (76 x 86 cm)	N/A
1	Ear/Ulcer Syringe	2 oz	N/A
1	Ear/Ulcer Syringe	3 oz	N/A
10	Gauze Sponges, X-Ray Detectable	4" x 4" (10 x 10 cm), 16 ply	N/A
1	Hand Towel	13" x 26" (33 x 66cm)	DYNJP2220
2	OB Pads	11" (28 cm)	N/A
1	Placenta Basin		N/A
1	Placenta Basin Lid		N/A
1	Umbilical Cord Clamp		N/A
1	Vaginal Packing Sponge, X-Ray Detectable	4" x 36" (10 x 91 cm)	N/A



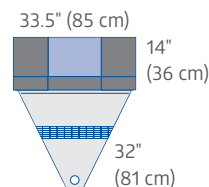
### Abdominal Drape

- Absorbent reinforcement, 21" x 18" (53 x 46 cm)
- Adhesive
- Not available sterile
- Included in packs DYNJP6000, DYNJP6010, DYNJP6020, DYNJP6020S, DYNJP6020A and DYNJP6060S



### Underbuttocks Drape with Black Graduation Marks and Port

- Graduated fluid control pouch with screen and port, 29" x 32" (74 x 81 cm)
- Backing for splash protection
- Available sterile DYNJP6006
- Included in pack DYNJP6060S



### Underbuttocks Drape with Pouch and Port

- Fluid control pouch with screen and port, 33.5" x 32" (85 x 81 cm)
- Available sterile DYNJP6002
- Included in packs DYNJP6020 and DYNJP6020S

Drapes and gowns are not made with natural rubber latex or sterile unless indicated in the description.

Clear 
  Foam 
  Plastic 
  Reinforcement 
  Fabric 
  Side Plastic 
  Incise 
  Pouches 
  Mesh

# Obstetrics Packs

## Cesarean Section Surgical Pack 2

<b>DYNJP6110</b>	<b>Pkg.</b>
	4/cs

### Contents:

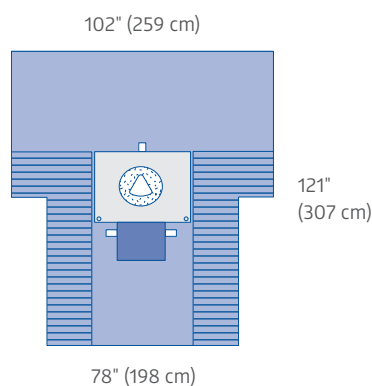
Qty.	Item Description	Size	Item No.
1	C-Section Drape with Pouch and Pre-Cut Fenestration and Incise	102" x 121" x 78" (259 x 307 x 198 cm)	DYNJP6102
1	Reinforced Table Cover	50" x 90" (127 x 229 cm)	DYNJP2316
1	Mayo Stand Cover	24" x 53" (61 x 165 cm)	DYNJP2500
1	Eclipse Poly-Reinforced Gown, with Towel in Outer Wrap	Large	DYNJP2201
2	Eclipse Poly-Reinforced Gown	Large	DYNJP2201
1	Baby Blanket	30" x 34" (76 x 86 cm)	N/A
1	Ear/Ulcer Syringe	2 oz	N/A
4	Hand Towels	13" x 26" (33 x 66cm)	DYNJP2220
2	OB Pads	11" (28 cm)	N/A
1	Placenta Basin		N/A
1	Umbilical Cord Clamp		N/A
1	Paper Suture Bag		N/A

## Cesarean Section Surgical Pack 3

<b>DYNJP6130</b>	<b>Pkg.</b>
	4/cs

### Contents:

Qty.	Item Description	Size	Item No.
1	C-Section Drape with Pouch and Pre-Cut Fenestration and Incise	102" x 121" x 78" (259 x 307 x 198 cm)	DYNJP6102
1	Reinforced Table Cover	50" x 90" (127 x 229 cm)	DYNJP2316
1	Mayo Stand Cover	24" x 53" (61 x 165 cm)	DYNJP2500
1	Baby Blanket	30" x 34" (76 x 86 cm)	N/A
1	Ear/Ulcer Syringe	2 oz	N/A
1	OB Pad	11" (28 cm)	N/A
1	Placenta Basin		N/A
1	Umbilical Cord Clamp		N/A
1	Paper Suture Bag		N/A



### C-Section Drape with Pouch and Pre-cut Fenestration and Incise

- Absorbent reinforcement, 20" x 15" (51 x 38 cm)
- 15" x 13" (38 x 33 cm); incise area with pear-shaped fenestration, 7" x 7" (18 x 18 cm)
- 360° fluid control pouch with formers, 38" x 28" (97 x 71 cm)
- Contoured armboard covers
- Hook-and-loop line holders
- Available sterile DYNJP6102
- Included in packs DYNJP6110, DYNJP6130 and DYNJP6120

# Obstetrics Packs

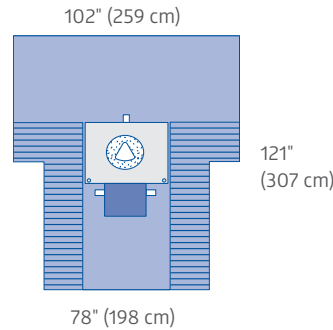
## Cesarean Section Plus Surgical Pack

**DYNJP6120** Pkg.

2/cs

### Contents:

Qty.	Item Description	Size	Item No.
1	C-Section Drape with Pouch and Pre-Cut Fenestration and Incise	102" x 121" x 78" (259 x 307 x 198 cm)	DYNJP6102
1	Heavy Duty Table Cover	60" x 90" (152 x 229 cm)	DYNJP2314
1	Mayo Stand Cover	24" x 53" (61 x 165 cm)	DYNJP2500
1	Eclipse Poly-Reinforced Gown, with Towel in Outer Wrap	Large	DYNJP2201
2	Eclipse Poly-Reinforced Gown	Large	DYNJP2201
1	Baby Blanket	30" x 34" (76 x 86 cm)	N/A
1	Ear/Ulcer Syringe	2 oz	N/A
4	Hand Towels	13" x 26" (33 x 66cm)	DYNJP2220
2	OB Pads	11" (28 cm)	N/A
1	Placenta Basin		N/A
1	Umbilical Cord Clamp		N/A
2	Blades, No. 10		N/A
1	Blades, No. 20		N/A
1	Blood Collection Tube, Red Top		N/A
1	Blood Collection Tube, Purple Top		N/A
1	Graduated Bowl	32 oz	N/A
20	Washed Lap Sponges	18" x 18" (46 x 46 cm)	N/A
1	Medicine Cup	2 oz	N/A
1	Needle Counter	30 Count	N/A
5	OR Towels		N/A
2	Ring Basins		N/A
2	CSR Wraps	54 x 54" (137 x 137 cm)	N/A
1	Suction Tube	144 x .25" (366 x .64 cm)	N/A
1	Yankauer Bulb Tip without Vent		N/A
1	Paper Suture Bag		N/A



### C-Section Drape with Pouch and Pre-cut Fenestration and Incise

- Absorbent reinforcement, 20" x 15" (51 x 38 cm)
- 15" x 13" (38 x 33 cm); incise area with pear-shaped fenestration, 7" x 7" (18 x 18 cm)
- 360° fluid control pouch with formers, 38" x 28" (97 x 71 cm)
- Contoured armboard covers
- Hook-and-loop line holders
- Available sterile DYNJP6102
- Included in packs DYNJP6110, DYNJP6130 and DYNJP6120

Drapes and gowns are not made with natural rubber latex or sterile unless indicated in the description.

Clear
  Foam
  Plastic
  Reinforcement
  Fabric
  Side Plastic
  Incise
  Pouches
  Mesh

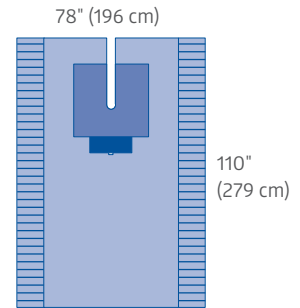


# EENT/Ophthalmology Drapes

## EENT Split Drape

- Absorbent reinforcement, 22" x 23" (56 x 58 cm)
- Split with adhesive, 3.5" x 24" (9 x 61 cm)
- Instrument pad
- Hook-and-loop line holder

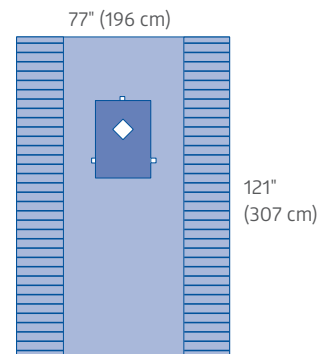
Item No.	Size	Non-Sterile Component	Pkg.
DYNJP7001	78" x 110" (196 x 279 cm)	SPT-5590A	8/cs



## Thyroid Drape

- Absorbent reinforcement, 20" x 28" (51 x 71 cm)
- Diamond fenestration with adhesive, 5" x 5" (13 x 13 cm)
- Hook-and-loop line holders

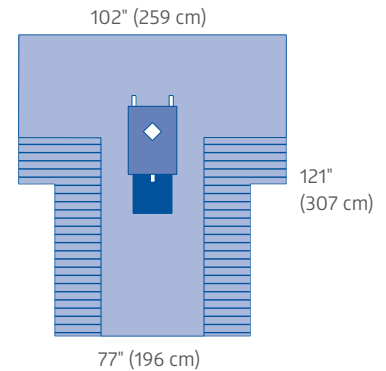
Item No.	Size	Non-Sterile Component	Pkg.
DYNJP7002	77" x 121" (196 x 307 cm)	SPT-2510A	10/cs



## Thyroid T-Drape

- Absorbent reinforcement, 26" x 27.5" (66 x 70 cm)
- Diamond fenestration with adhesive, 5" x 5" (13 x 13 cm)
- Instrument pad
- Contoured armboard covers
- Hook-and-loop line holders

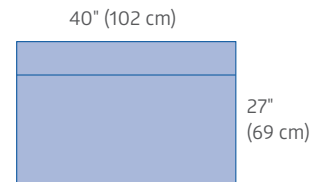
Item No.	Size	Non-Sterile Component	Pkg.
DYNJP7003	102" x 121" x 77" (259 x 307 x 196 cm)	SPT-2520A	12/cs



## Head Bar Drape

- Adhesive

Item No.	Size	Non-Sterile Component	Pkg.
DYNJP7008	40" x 27" (102 x 69 cm)	SPT-5610A	20/cs



Drapes and gowns are not made with natural rubber latex or sterile unless indicated in the description.

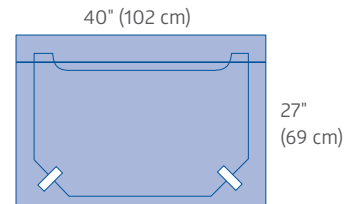
Clear
  Foam
  Plastic
  Reinforcement
  Fabric
  Side Plastic
  Incise
  Pouches
  Mesh

# EENT/Ophthalmology Drapes

## Head Turban Drape

- Adhesive
- Turban

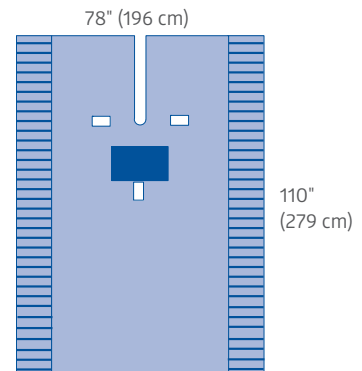
Item No.	Size	Non-Sterile Component	Pkg.
DYNJP7009	40" x 27" (102 x 69 cm)	SPT-5600A	20/cs



## Non-Reinforced EENT Split Drape

- Split with adhesive, 3.5" x 24" (9 x 61 cm)
- Instrument pad
- Hook-and-loop line holders

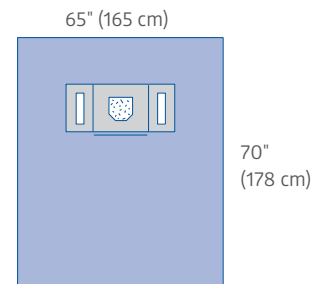
Item No.	Size	Non-Sterile Component	Pkg.
N/A	78" x 110" (196 x 279 cm)	SPT-5591A	N/A



## Eye Drape with Incise and Pouch

- Incise: 4.5" x 5" (11 x 13 cm)
- Fluid collection pouches, 8.25" x 12.75" (21 x 32 cm)
- Malleable breather bar

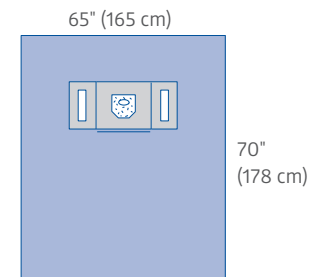
Item No.	Size	Non-Sterile Component	Pkg.
DYNJP7004	65" x 70" (165 x 178 cm)	29676	10/cs



## Eye Drape with Fenestrated Incise and Pouch

- Oval fenestration: 1.5" x 2.5" (4 x 6 cm)
- Incise: 4.5" x 5" (11 x 13 cm)
- Fluid collection pouches, 8.25" x 12.75" (21 x 32 cm)
- Malleable breather bar

Item No.	Size	Non-Sterile Component	Pkg.
DYNJP7005	65 x 70" (165 x 178 cm)	29677	10/cs



Drapes and gowns are not made with natural rubber latex or sterile unless indicated in the description.

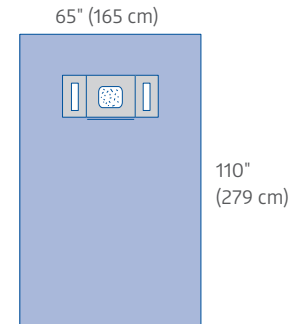
Clear
  Foam
  Plastic
  Reinforcement
  Fabric
  Side Plastic
  Incise
  Pouches
  Mesh

# EENT/Ophthalmology Drapes

## Full-Body Eye Drape with Incise and Pouch

- Incise: 4" x 4" (10 x 10 cm)
- Two fluid collection pouches, 8.5" x 12.75" (22 x 32 cm)
- Malleable breather bar

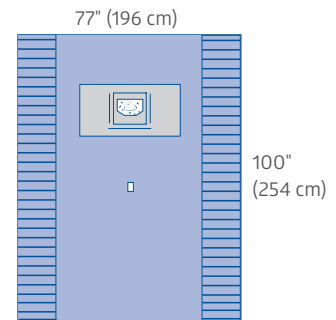
Item No.	Size	Non-Sterile Component	Pkg.
DYNJP7006	65" x 110" (165 x 279 cm)	30023	10/cs



## Ophthalmic Drape with Separate Incise

- Apertured incise: 1.5" x 2.5" (4 x 6 cm)
- Fluid-collection pouches, 18.5" x 10.5" (47 x 27 cm)
- Separate incise sheet, 5" x 6.5" (13 x 17 cm)
- Malleable breather bar
- Hook-and-loop line holder

Item No.	Size	Non-Sterile Component	Pkg.
DYNJP7011	77" x 100" (196 x 254 cm)	SPT-7011A	20/cs



Drapes and gowns are not made with natural rubber latex or sterile unless indicated in the description.

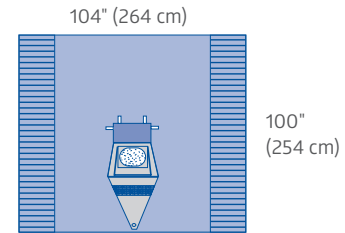
Clear
  Foam
  Plastic
  Reinforcement
  Fabric
  Side Plastic
  Incise
  Pouches
  Mesh

# EENT/Ophthalmology Drapes

## Craniotomy Drape with Pouch

- Absorbent reinforcement, 18" x 28" (46 x 71 cm)
- Rounded block incise, 11" x 8" (28 x 20 cm)
- Attached fluid control pouch with screen and port, 27.5" x 29" (70 x 74 cm)
- Hook-and-loop line holders

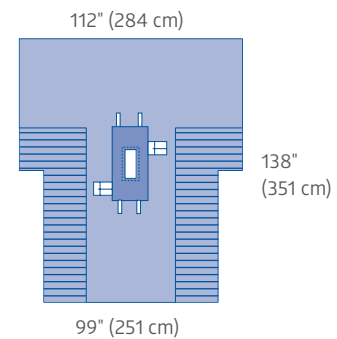
Item No.	Size	Non-Sterile Component	Pkg.
DYNJP10001	104 x 100" (264 x 254 cm)	SPT-10001A	8/cs



## Universal Spine Drape

- Absorbent reinforcement, 18" x 38" (46 x 97 cm)
- Fenestration with adhesive, 4" x 12" (10 x 30 cm)
- Instrument pouches, 12" x 7" (30 x 18 cm)
- Hook-and-loop line holders

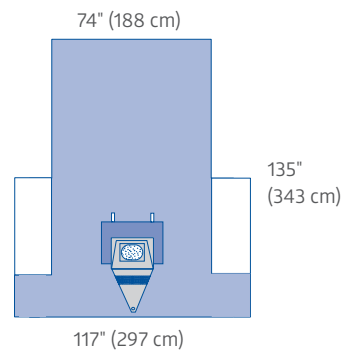
Item No.	Size	Non-Sterile Component	Pkg.
DYNJP10010	112" x 138" (284 x 351 cm)	SPT-10010A	7/cs



## Craniotomy T-Drape with Pouch

- Absorbent reinforcement, 20" x 24" (51 x 61 cm)
- Rounded block incise, 12" x 8" (30 x 20 cm)
- Attached fluid-control pouch with screen and port, 24" x 36" (61 x 91 cm)
- Clear armboard covers
- Hook-and-loop line holders

Item No.	Size	Non-Sterile Component	Pkg.
DYNJP10040	74" x 135" (188 x 343 cm)	SPT-10040A	9/cs



Drapes and gowns are not made with natural rubber latex or sterile unless indicated in the description.

Clear
  Foam
  Plastic
  Reinforcement
  Fabric
  Side Plastic
  Incise
  Pouches
  Mesh

# EENT/Ophthalmology Packs

## EENT Surgical Pack 1

<b>DYNJP7000</b>	<b>Pkg.</b>
	8/cs

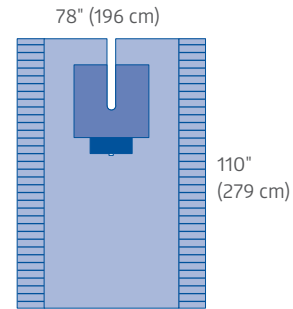
### Contents:

Qty.	Item Description	Size	Item No.
1	EENT Split Drape	78" x 110" (196 x 279 cm)	DYNJP7001
1	Head Bar Drape	40" x 27" (102 x 69 cm)	DYNJP7008
1	Reinforced Table Cover	50" x 90" (127 x 229 cm)	DYNJP2316
1	Mayo Stand Cover	24" x 53" (61 x 165 cm)	DYNJP2500
1	Eclipse Non-Reinforced Gown, with Towel in Outer Wrap	Large	DYNJP2001
2	Hand Towel	13" x 26" (33 x 66 cm)	DYNJP2220
1	Paper Suture Bag		N/A

<b>DYNJP7000S</b>	<b>Pkg.</b>
	8/cs

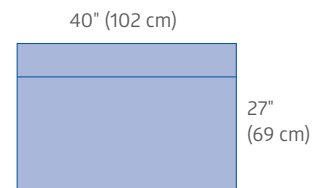
### Contents:

Qty.	Item Description	Size	Item No.
1	EENT Split Drape	78" x 110" (196 x 279 cm)	DYNJP7001
1	Head Bar Drape	40" x 27" (102 x 69 cm)	DYNJP7008
1	Reinforced Table Cover	50" x 90" (127 x 229 cm)	DYNJP2316
1	Mayo Stand Cover	24" x 53" (61 x 165 cm)	DYNJP2500
1	Sirius Non-Reinforced Gown, with Towel in Outer Wrap	Large	DYNJP2001S
1	Paper Suture Bag		N/A



### EENT Split Drape

- Absorbent reinforcement, 22" x 23" (56 x 58 cm)
- Split with adhesive, 3.5" x 24" (9 x 61 cm)
- Instrument pad
- Hook-and-loop line holder
- Available sterile DYNJP7001
- Included in packs DYNJP7000, DYNJP7000S, DYNJP7010, DYNJP7010S and DYNJP7030



### Head Bar Drape

- Adhesive
- Available sterile DYNJP7008
- Included in packs DYNJP7000, DYNJP7000S and DYNJP7030

Drapes and gowns are not made with natural rubber latex or sterile unless indicated in the description.

Clear 
  Foam 
  Plastic 
  Reinforcement 
  Fabric 
  Side Plastic 
  Incise 
  Pouches 
  Mesh

# EENT/Ophthalmology Packs

## EENT Surgical Pack 2

<b>DYNJP7010</b>	<b>Pkg.</b>
	6/cs

**Contents:**

Qty.	Item Description	Size	Item No.
1	EENT Split Drape	78" x 110" (196 x 279 cm)	DYNJP7001
1	Head Turban Drape	40" x 27" (102 x 69 cm)	DYNJP7009
1	Reinforced Table Cover	50" x 90" (127 x 229 cm)	DYNJP2316
1	Mayo Stand Cover	24" x 53" (61 x 165 cm)	DYNJP2500
2	Utility Drapes with Tape	15" x 26" (38 x 66 cm)	DYNJP2405
1	Eclipse Non-Reinforced Gown, with Towel in Outer Wrap	Large	DYNJP2001
1	Eclipse Non-Reinforced Gown	Large	DYNJP2001
1	Hand Towel	13" x 26" (33 x 66 cm)	DYNJP2220
1	Paper Suture Bag		N/A

<b>DYNJP7010S</b>	<b>Pkg.</b>
	6/cs

**Contents:**

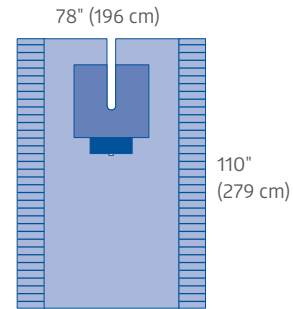
Qty.	Item Description	Size	Item No.
1	EENT Split Drape	78" x 110" (196 x 279 cm)	DYNJP7001
1	Head Turban Drape	40" x 27" (102 x 69 cm)	DYNJP7009
1	Reinforced Table Cover	50" x 90" (127 x 229 cm)	DYNJP2316
1	Mayo Stand Cover	24" x 53" (61 x 165 cm)	DYNJP2500
1	Sirus Non-Reinforced Gown, with Towel in Outer Wrap	Large	DYNJP2001S
1	Sirus Non-Reinforced Gown	Large	DYNJP2001S
1	Hand Towel	13" x 26" (33 x 66 cm)	DYNJP2220
1	Paper Suture Bag		N/A

## EENT Surgical Pack 4

<b>DYNJP7030</b>	<b>Pkg.</b>
	11/cs

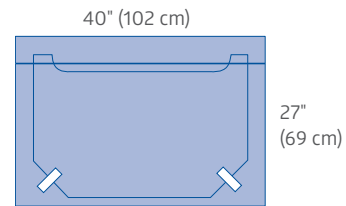
**Contents:**

Qty.	Item Description	Size	Item No.
1	EENT Split Drape	78" x 110" (196 x 279 cm)	DYNJP7001
1	Head Bar Drape	40" x 27" (102 x 69 cm)	DYNJP7008
1	Reinforced Table Cover	50" x 90" (127 x 229 cm)	DYNJP2316
1	Mayo Stand Cover	24" x 53" (61 x 165 cm)	DYNJP2500
1	Paper Suture Bag		N/A



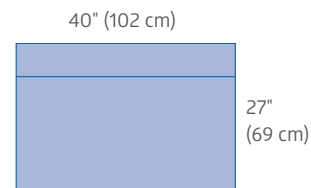
**EENT Split Drape**

- Absorbent reinforcement, 22" x 23" (56 x 58 cm)
- Split with adhesive, 3.5" x 24" (9 x 61 cm)
- Instrument pad
- Hook-and-loop line holder
- Available sterile DYNJP7001
- Included in packs DYNJP7000, DYNJP7000S, DYNJP7010, DYNJP7010S and DYNJP7030



**Head Turban Drape**

- Adhesive
- Turban
- Available sterile DYNJP7009
- Included in pack DYNJP7010S



**Head Bar Drape**

- Adhesive
- Available sterile DYNJP7008
- Included in packs DYNJP7000, DYNJP7000S and DYNJP7030

Drapes and gowns are not made with natural rubber latex or sterile unless indicated in the description.

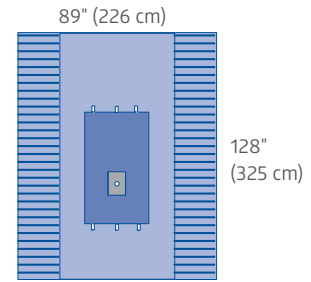
Clear 
  Foam 
  Plastic 
  Reinforcement 
  Fabric 
  Side Plastic 
  Incise 
  Pouches 
  Mesh

# Extremity Drapes

## Extremity Drape

- Absorbent reinforcement, 23" x 55" (58 x 140 cm)
- Circular elastic fenestration, 2.5" (6 cm)
- Fenestration position from longer end, 77" (196 cm)
- Hook-and-loop line holders

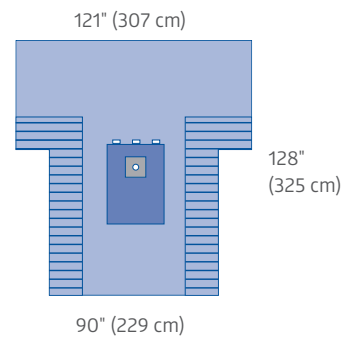
Item No.	Size	Non-Sterile Component	Pkg.
DYNJP8002	89" x 128" (226 x 325 cm)	SPT-2550A	12/cs



## Extremity T-Drape

- Absorbent reinforcement, 29" x 44" (74 x 112 cm)
- Circular elastic fenestration, 2.5" (6 cm)
- Contoured armboard covers
- Hook-and-loop line holders

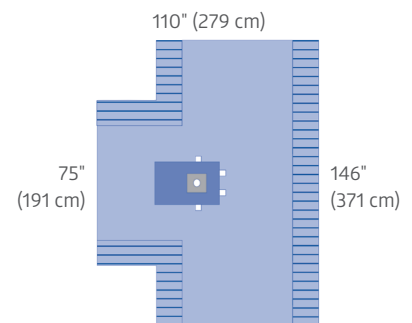
Item No.	Size	Non-Sterile Component	Pkg.
DYNJP8003	121" x 128" x 90" (307 x 325 x 229 cm)	SPT-2555A	6/cs



## Hand Drape

- Absorbent reinforcement, 42" x 18" (107 cm x 46 cm)
- Circular elastic fenestration, 1.5" (3 cm)
- Contoured hand table extension
- Hook-and-loop line holders

Item No.	Size	Non-Sterile Component	Pkg.
DYNJP8005	110" x 146" x 75" (279 x 146 x 191 cm)	SPT-8610A	18/cs



Drapes and gowns are not made with natural rubber latex or sterile unless indicated in the description.

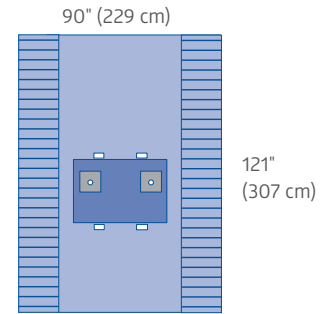
Clear 
  Foam 
  Plastic 
  Reinforcement 
  Fabric 
  Side Plastic 
  Incise 
  Pouches 
  Mesh

# Extremity Drapes

## Bilateral Limb Drape

- Absorbent reinforcement, 36" x 33" (91 x 84 cm)
- Dual elastic fenestrations, 2.5" (6 cm)
- Hook-and-loop line holders

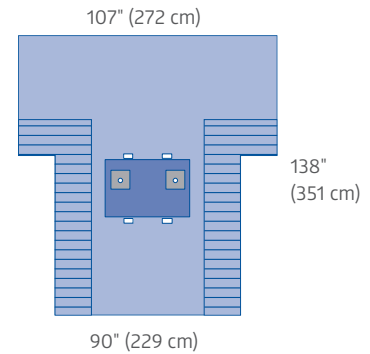
Item No.	Size	Non-Sterile Component	Pkg.
DYNJP8004	90" x 121" (229 x 307 cm)	SPT-8620A	12/cs



## Bilateral Limb T-Drape

- Absorbent reinforcement, 40" x 55" (102 x 140 cm)
- Dual elastic fenestration, 2.5" (6 cm)
- Contoured armboard covers
- Hook-and-loop line holders

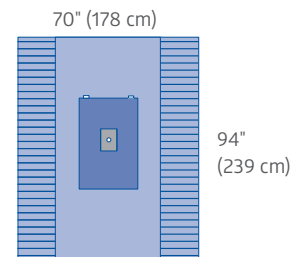
Item No.	Size	Non-Sterile Component	Pkg.
DYNJP8006	107" x 138" x 90" (272 x 351 x 229 cm)	SPT-8630A	8/cs



## Minor Extremity Drape

- Absorbent reinforcement, 40" x 20" (102 x 51 cm)
- Circular elastic fenestration, 2.25" (6 cm)
- Hook-and-loop line holders

Item No.	Size	Non-Sterile Component	Pkg.
N/A	70" x 94" (178 x 239 cm)	SPT-2570A	N/A



Drapes and gowns are not made with natural rubber latex or sterile unless indicated in the description.

Clear
  Foam
  Plastic
  Reinforcement
  Fabric
  Side Plastic
  Incise
  Pouches
  Mesh

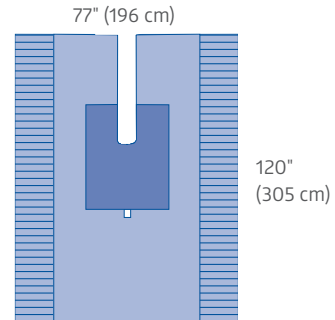


# Extremity Drapes

## Split Drape with Adhesive

- Absorbent reinforcement, 24" x 48" (61 x 122 cm)
- Split with adhesive, 4" x 40" (10 x 102 cm)
- Anti-slip foam backing strips
- Hook-and-loop line holder

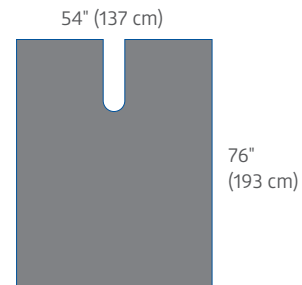
Item No.	Size	Non-Sterile Component	Pkg.
DYNJP8304A	77" x 120" (196 x 305 cm)	SPT-2458A	10/cs



## Film U-Drape

- Split with adhesive, 6" x 24" (15 x 61 cm)

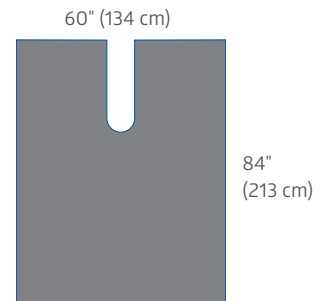
Item No.	Size	Non-Sterile Component	Pkg.
DYNJP2499	54" x 76" (137 x 193 cm)	12139	24/cs



## Large Film U-Drape

- Split with adhesive, 8" x 30" (20 x 76 cm)

Item No.	Size	Non-Sterile Component	Pkg.
DYNJP2430	60" x 84" (134 x 213 cm)	80320	22/cs



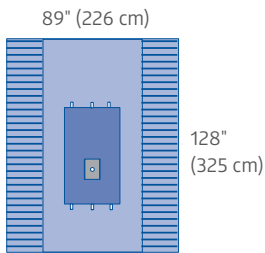
Drapes and gowns are not made with natural rubber latex or sterile unless indicated in the description.

Clear
  Foam
  Plastic
  Reinforcement
  Fabric
  Side Plastic
  Incise
  Pouches
  Mesh

# Extremity Packs

## Extremity Surgical Pack 1

DYNJP8000			Pkg.
			5/cs
Contents:			
Qty.	Item Description	Size	Item No.
1	Extremity Drape	89" x 128" (226 x 325 cm)	DYNJP8002
1	Film Drape Sheet	44" x 65" (112 x 165 cm)	DYNJP2418
1	Reinforced Table Cover	50" x 90" (127 x 229 cm)	DYNJP2316
1	Mayo Stand Cover	24" x 53" (61 x 165 cm)	DYNJP2500
4	Utility Drapes with Tape	15" x 26" (38 x 66 cm)	DYNJP2405
1	Paper Suture Bag		N/A

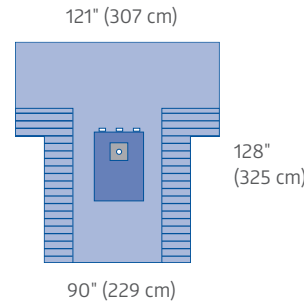


### Extremity Drape

- Absorbent reinforcement, 23" x 55" (58 x 140 cm)
- Circular elastic fenestration, 2.5" (6 cm)
- Fenestration position from longer end, 77" (196 cm)
- Hook-and-loop line holders
- Available sterile DYNJP8002
- Included in packs DYNJP8000, DYNJP8010 and DYNJP8010S

## Extremity Surgical Pack 3

DYNJP8030			Pkg.
			8/cs
Contents:			
Qty.	Item Description	Size	Item No.
1	Extremity T-Drape	121" x 128" x 90" (307 x 325 x 229 cm)	DYNJP8003
1	Film U-Drape	54 x 76" (137 x 193 cm)	DYNJP2499
1	Reinforced Table Cover	50" x 90" (127 x 229 cm)	DYNJP2316
1	Mayo Stand Cover	24" x 53" (61 x 165 cm)	DYNJP2500
1	Paper Suture Bag		N/A



### Extremity T-Drape

- Absorbent reinforcement, 29" x 44" (74 x 112 cm)
- Circular elastic fenestration, 2.5" (6 cm)
- Contoured armboard covers
- Hook-and-loop line holders
- Available sterile DYNJP8003
- Included in pack DYNJP8030

Drapes and gowns are not made with natural rubber latex or sterile unless indicated in the description.

Clear
  Foam
  Plastic
  Reinforcement
  Fabric
  Side Plastic
  Incise
  Pouches
  Mesh

# Extremity Packs

## Extremity Surgical Pack 2

<b>DYNJP8010</b>	<b>Pkg.</b>
	5/cs

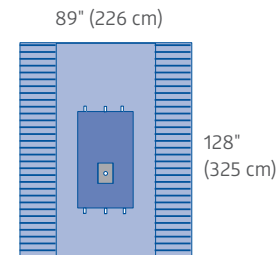
**Contents:**

Qty.	Item Description	Size	Item No.
1	Extremity Drape	89" x 128" (226 x 325 cm)	DYNJP8002
1	Film U-Drape	54 x 76" (137 x 193 cm)	DYNJP2499
1	Reinforced Table Cover	50" x 90" (127 x 229 cm)	DYNJP2316
1	Mayo Stand Cover	24" x 53" (61 x 165 cm)	DYNJP2500
1	Eclipse Non-Reinforced Gown, with Towel in Outer Wrap	Large	DYNJP2001
1	Three-Quarter Drape Sheet	53" x 77" (135 x 196 cm)	DYNJP2414
2	Utility Drapes with Tape	15" x 26" (38 x 66 cm)	DYNJP2405
1	Paper Suture Bag		N/A

<b>DYNJP8010S</b>	<b>Pkg.</b>
	5/cs

**Contents:**

Qty.	Item Description	Size	Item No.
1	Extremity Drape	89" x 128" (226 x 325 cm)	DYNJP8002
1	Film U-Drape	54 x 76" (137 x 193 cm)	DYNJP2499
1	Reinforced Table Cover	50" x 90" (127 x 229 cm)	DYNJP2316
1	Mayo Stand Cover	24" x 53" (61 x 165 cm)	DYNJP2500
1	Sirus Non-Reinforced Gown, with Towel in Outer Wrap	Large	DYNJP2001S
1	Three-Quarter Drape Sheet	53" x 77" (135 x 196 cm)	DYNJP2414
1	Paper Suture Bag		N/A



**Extremity Drape**

- Absorbent reinforcement, 23" x 55" (58 x 140 cm)
- Circular elastic fenestration, 2.5" (6 cm)
- Fenestration position from longer end, 77" (196 cm)
- Hook-and-loop line holders
- Available sterile DYNJP8002
- Included in packs DYNJP8000, DYNJP8010 and DYNJP8010S

Drapes and gowns are not made with natural rubber latex or sterile unless indicated in the description.

Clear 
  Foam 
  Plastic 
  Reinforcement 
  Fabric 
  Side Plastic 
  Incise 
  Pouches 
  Mesh

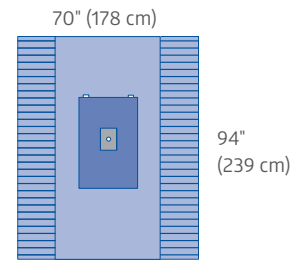
# Extremity Packs

## Minor Extremity Surgical Packs

<b>DYNJP8020S</b>	<b>Pkg.</b>
	6/cs

**Contents:**

Qty.	Item Description	Size	Item No.
1	Minor Extremity Drape	70" x 94" (178 x 239 cm)	N/A
1	Film Drape Sheet	44" x 65" (112 x 165 cm)	DYNJP2418
1	Reinforced Table Cover	50" x 90" (127 x 229 cm)	DYNJP2316
1	Mayo Stand Cover	24" x 53" (61 x 165 cm)	DYNJP2500
1	Sirus Non-Reinforced Gown, with Towel in Outer Wrap	Large	DYNJP2001S
1	Sirus Non-Reinforced Gown	Large	DYNJP2001S
1	Three-Quarter Drape Sheet	53" x 77" (135 x 196 cm)	DYNJP2414
1	Hand Towel	13" x 26" (33 x 66 cm)	DYNJP2220
1	Paper Suture Bag		N/A



**Minor Extremity Drape**

- Absorbent reinforcement, 40" x 20" (102 x 51 cm)
- Circular elastic fenestration, 2.25" (6 cm)
- Hook-and-loop line holders
- Not available sterile
- Included in pack DYNJP8020S

Drapes and gowns are not made with natural rubber latex or sterile unless indicated in the description.

Clear 
  Foam 
  Plastic 
  Reinforcement 
  Fabric 
  Side Plastic 
  Incise 
  Pouches 
  Mesh

# Extremity Packs

## Upper Extremity Surgical Packs

<b>DYNJP8040</b>	<b>Pkg.</b>
	6/cs

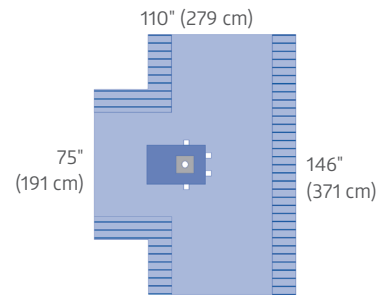
**Contents:**

Qty.	Item Description	Size	Item No.
1	Hand Drape	110" x 146" x 75" (279 x 146 x 191 cm)	DYNJP8005
1	Film Drape Sheet	44" x 65" (112 x 165 cm)	DYNJP2418
1	Reinforced Table Cover	50" x 90" (127 x 229 cm)	DYNJP2316
1	Mayo Stand Cover	24" x 53" (61 x 165 cm)	DYNJP2500
2	Eclipse Non-Reinforced Gown	X-Large	DYNJP2002
2	Hand Towels	13" x 26" (33 x 66 cm)	DYNJP2220
1	Paper Suture Bag		N/A

<b>DYNJP8040S</b>	<b>Pkg.</b>
	6/cs

**Contents:**

Qty.	Item Description	Size	Item No.
1	Hand Drape	110" x 146" x 75" (279 x 146 x 191 cm)	DYNJP8005
1	Film Drape Sheet	44" x 65" (112 x 165 cm)	DYNJP2418
1	Reinforced Table Cover	50" x 90" (127 x 229 cm)	DYNJP2316
1	Mayo Stand Cover	24" x 53" (61 x 165 cm)	DYNJP2500
2	Sirus Non-Reinforced Gown	X-Large	DYNJP2002S
2	Hand Towels	13" x 26" (33 x 66 cm)	DYNJP2220
1	Paper Suture Bag		N/A



**Hand Drape**

- Absorbent reinforcement, 42" x 18" (107 cm x 46 cm)
- Circular elastic fenestration, 1.5" (3 cm)
- Contoured hand table extension
- Hook-and-loop line holders
- Available sterile DYNJP8005
- Included in packs DYNJP8040 and DYNJP8040S

Drapes and gowns are not made with natural rubber latex or sterile unless indicated in the description.

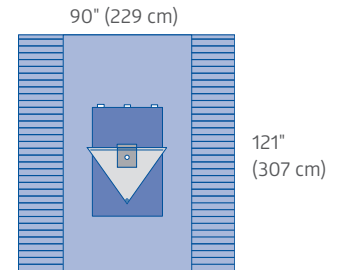
Clear 
  Foam 
  Plastic 
  Reinforcement 
  Fabric 
  Side Plastic 
  Incise 
  Pouches 
  Mesh

# Arthroscopy Drapes

## Arthroscopy Drape with Fluid-Control Pouch

- Poly-backed absorbent reinforcement, 29" x 37" (74 x 94 cm)
- Dual circular elastic fenestrations 2.5" (6 cm)
- Attached fluid-control pouch with port, 39" x 26" (99 x 66 cm)
- Malleable wire former
- Hook-and-loop line holders

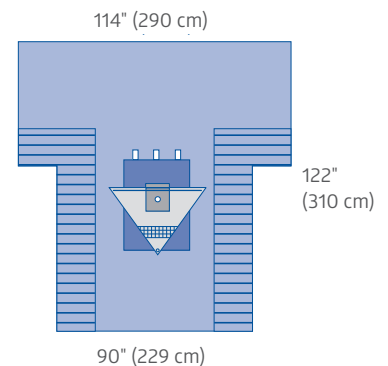
Item No.	Size	Non-Sterile Component	Pkg.
DYNJP8101	90" x 121" (229 x 121 cm)	SPT-2560A	12/cs



## Arthroscopy T-Drape with Fluid-Control Pouch

- Poly-backed absorbent reinforcement, 29" x 36" (74 x 91 cm)
- Dual circular elastic fenestrations, 2.5" (6 cm)
- Attached fluid-control pouch with filter and port, 38" x 32" (97 x 81 cm)
- Malleable wire former
- Hook-and-loop line holders

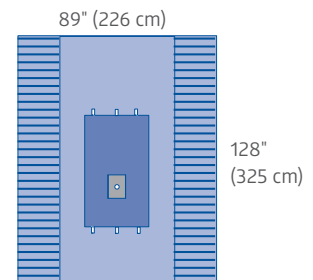
Item No.	Size	Non-Sterile Component	Pkg.
DYNJP8102	114 x 122" x 90" (290 x 310 x 229 cm)	SPT-2565A	6/cs



## Extremity Drape

- Absorbent reinforcement, 23" x 55" (58 x 140 cm)
- Circular elastic fenestration, 2.5" (6 cm)
- Fenestration position from longer end, 77" (196 cm)
- Hook-and-loop line holders

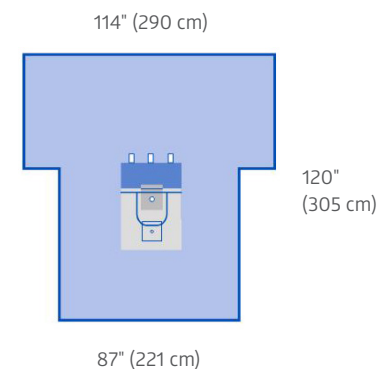
Item No.	Size	Non-Sterile Component	Pkg.
DYNJP8002	89" x 128" (226 x 325 cm)	SPT-2550A	12/cs



## Arthroscopy T-Drape with Fluid-Control Pouch

- Absorbent reinforcement, 35" x 30" (89 x 76 cm)
- Dual circular elastic fenestration, 3" (8 cm)
- Attached fluid-control pouch

Item No.	Size	Non-Sterile Component	Pkg.
DYNJP8103	114" x 120" x 87" (290 x 305 x 221 cm)	SPT-2560A	8/cs



Please confirm I got handwritten edits correct

Drapes and gowns are not made with natural rubber latex or sterile unless indicated in the description.

Clear
  Foam
  Plastic
  Reinforcement
  Fabric
  Side Plastic
  Incise
  Pouches
  Mesh

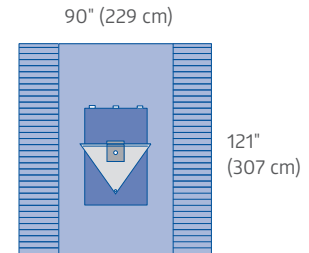
# Arthroscopy Packs

## Arthroscopy Packs 1

<b>DYNJP8100</b>	<b>Pkg.</b>
	6/cs

**Contents:**

Qty.	Item Description	Size	Item No.
1	Arthroscopy Drape with Fluid-Control Pouch	90" x 121" (229 x 121 cm)	DYNJP8101
1	Film U-Drape	54 x 76" (137 x 193 cm)	DYNJP2499
1	Reinforced Table Cover	50" x 90" (127 x 229 cm)	DYNJP2316
1	Mayo Stand Cover	24" x 53" (61 x 165 cm)	DYNJP2500
1	Eclipse Non-Reinforced Gown, with Towel in Outer Wrap	Large	DYNJP2001
1	Eclipse Poly-Reinforced Gown	2X-Large	DYNJP2203
1	Prep U-Drape	47" x 51" (119 x 300 cm)	N/A
1	Film Stockinette	12" x 48" (30 x 122 cm)	N/A
4	Drape Tape Strips	3.7" x 24" (10 x 60 cm)	DYNJP2494
1	Hand Towel	13" x 26" (33 x 66 cm)	DYNJP2220
1	Paper Suture Bag		N/A



**Arthroscopy Drape with Fluid-Control Pouch**

- Poly-backed absorbent reinforcement, 29" x 37" (74 x 94 cm)
- Circular elastic fenestrations 2.5" (6 cm)
- Attached fluid-control pouch with port, 39" x 26" (99 x 66 cm)
- Malleable wire former
- Hook-and-loop line holders
- Available sterile DYNJP8101
- Included in packs DYNJP8100, DYNJP8100S, DYNJP8120 and DYNJP8140

<b>DYNJP8100S</b>	<b>Pkg.</b>
	6/cs

**Contents:**

Qty.	Item Description	Size	Item No.
1	Arthroscopy Drape with Fluid-Control Pouch	90" x 121" (229 x 121 cm)	DYNJP8101
1	Film U-Drape	54 x 76" (137 x 193 cm)	DYNJP2499
1	Reinforced Table Cover	50" x 90" (127 x 229 cm)	DYNJP2316
1	Mayo Stand Cover	24" x 53" (61 x 165 cm)	DYNJP2500
1	Sirus Non-Reinforced Gown, with Towel in Outer Wrap	Large	DYNJP2001S
1	Sirus Poly-Reinforced Gown	X-Large	DYNJP2202S
1	Prep U-Drape	47" x 51" (119 x 300 cm)	N/A
1	Film Stockinette	12" x 48" (30 x 122 cm)	N/A
1	Hand Towel	13" x 26" (33 x 66 cm)	DYNJP2220
1	Paper Suture Bag		N/A

Drapes and gowns are not made with natural rubber latex or sterile unless indicated in the description.

Clear 
  Foam 
  Plastic 
  Reinforcement 
  Fabric 
  Side Plastic 
  Incise 
  Pouches 
  Mesh

# Arthroscopy Packs

## Arthroscopy Packs 2

<b>DYNJP8110</b>	<b>Pkg.</b>
	6/cs

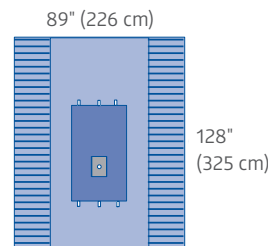
**Contents:**

Qty.	Item Description	Size	Item No.
1	Extremity Drape	89" x 128" (226 x 325 cm)	DYNJP8002
1	Film U-Drape	54 x 76" (137 x 193 cm)	DYNJP2499
1	Reinforced Table Cover	50" x 90" (127 x 229 cm)	DYNJP2316
1	Mayo Stand Cover	24" x 53" (61 x 165 cm)	DYNJP2500
1	Eclipse Poly-Reinforced Gown	2X-Large	DYNJP2203
1	Film Stockinette	12" x 48" (30 x 122 cm)	N/A
4	Drape Tape Strips	3.7" x 24" (10 x 60 cm)	DYNJP2494
1	Hand Towel	13" x 26" (33 x 66 cm)	DYNJP2220
1	Paper Suture Bag		N/A

<b>DYNJP8110S</b>	<b>Pkg.</b>
	6/cs

**Contents:**

Qty.	Item Description	Size	Item No.
1	Extremity Drape	89" x 128" (226 x 325 cm)	DYNJP8002
1	Film U-Drape	54 x 76" (137 x 193 cm)	DYNJP2499
1	Reinforced Table Cover	50" x 90" (127 x 229 cm)	DYNJP2316
1	Mayo Stand Cover	24" x 53" (61 x 165 cm)	DYNJP2500
1	Sirus Poly-Reinforced Gown	X-Large	DYNJP2202S
1	Film Stockinette	12" x 48" (30 x 122 cm)	N/A
1	Hand Towel	13" x 26" (33 x 66 cm)	DYNJP2220
1	Paper Suture Bag		N/A



**Extremity Drape**

- Absorbent reinforcement, 23" x 55" (58 x 140 cm)
- Circular elastic fenestration, 2.5" (6 cm)
- Fenestration position from longer end, 77" (196 cm)
- Hook-and-loop line holders
- Available sterile DYNJP8002
- Included in packs DYNJP8110, DYNJP8110S and DYNJP8130

## Arthroscopy Packs 3

<b>DYNJP8130</b>	<b>Pkg.</b>
	8/cs

**Contents:**

Qty.	Item Description	Size	Item No.
1	Extremity Drape	89" x 128" (226 x 325 cm)	DYNJP8002
1	Film U-Drape	54 x 76" (137 x 193 cm)	DYNJP2499
1	Reinforced Table Cover	50" x 90" (127 x 229 cm)	DYNJP2316
1	Mayo Stand Cover	24" x 53" (61 x 165 cm)	DYNJP2500
1	Film Stockinette	12" x 48" (30 x 122 cm)	N/A
3	Drape Tape Strips	3.7" x 24" (10 x 60 cm)	DYNJP2494
1	Prep U-Drape	47" x 51" (119 x 300 cm)	N/A
1	Paper Suture Bag		N/A

Drapes and gowns are not made with natural rubber latex or sterile unless indicated in the description.

Clear 
  Foam 
  Plastic 
  Reinforcement 
  Fabric 
  Side Plastic 
  Incise 
  Pouches 
  Mesh



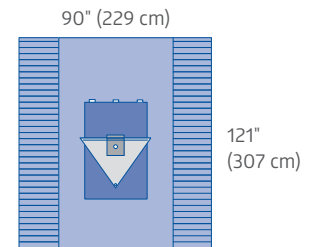
# Arthroscopy Packs

## Arthroscopy Plus Pack

<b>DYNJP8120</b>	<b>Pkg.</b>
	3/cs

### Contents:

Qty.	Item Description	Size	Item No.
1	Arthroscopy Drape with Fluid-Control Pouch	90" x 121" (229 x 121 cm)	DYNJP8101
1	Film U-Drape	54 x 76" (137 x 193 cm)	DYNJP2499
1	Reinforced Table Cover	60" x 90" (152 x 229 cm)	DYNJP2320
1	Mayo Stand Cover	24" x 53" (61 x 165 cm)	DYNJP2500
1	Eclipse Non-Reinforced Gown, with Towel in Outer Wrap	Large	DYNJP2001
2	Prevention Plus Gowns	X-Long, X-Large	DYNJP2302P
1	Blade, No. 11		N/A
1	Graduated Bowl	32 oz.	N/A
1	Elastic Bandage	6" (15 cm)	N/A
1	Mayo Tray		N/A
1	Suction Tube	144" x .25" (366 x 0.64 cm)	N/A
4	Drape Tape Strips	3.7" x 24" (10 x 60 cm)	DYNJP2494
1	Film Stockinette	9" x 48" (23 x 122 cm)	N/A
7	OR Towels		N/A
3	Hand Towels	13" x 26" (33 x 66 cm)	DYNJP2220



### Arthroscopy Drape with Fluid-Control Pouch

- Poly-backed absorbent reinforcement, 29" x 37" (74 x 94 cm)
- Circular elastic fenestrations 2.5" (6 cm)
- Attached fluid-control pouch with port, 39" x 26" (99 x 66 cm)
- Malleable wire former
- Hook-and-loop line holders
- Available sterile DYNJP8101
- Included in packs DYNJP8100, DYNJP8100S, DYNJP8120 and DYNJP8140

## Arthroscopy Packs 4

<b>DYNJP8140</b>	<b>Pkg.</b>
	8/cs

### Contents:

Qty.	Item Description	Size	Item No.
1	Arthroscopy Drape with Fluid-Control Pouch	90" x 121" (229 x 121 cm)	DYNJP8101
1	Film U-Drape	54 x 76" (137 x 193 cm)	DYNJP2499
1	Reinforced Table Cover	50" x 90" (127 x 229 cm)	DYNJP2316
1	Mayo Stand Cover	24" x 53" (61 x 165 cm)	DYNJP2500
1	Prep U-Drape	47" x 51" (119 x 300 cm)	N/A
1	Film Stockinette	12" x 48" (30 x 122 cm)	N/A
3	Drape Tape Strips	3.7" x 24" (10 x 60 cm)	DYNJP2494
1	Paper Suture Bag		N/A

Drapes and gowns are not made with natural rubber latex or sterile unless indicated in the description.

Clear 
  Foam 
  Plastic 
  Reinforcement 
  Fabric 
  Side Plastic 
  Incise 
  Pouches 
  Mesh

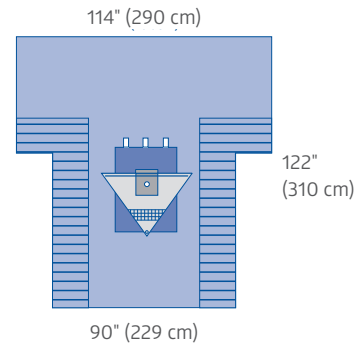
# Arthroscopy Packs

## Arthroscopy Pack 5 HD

<b>DYNJP8150HD</b>	<b>Pkg.</b>
	6/cs

**Contents:**

Qty.	Item Description	Size	Item No.
1	Arthroscopy T-Drape with Fluid-Control Pouch	114" x 122" x 90" (290 x 310 x 229 cm)	DYNJP8102
1	Film U-Drape	54 x 76" (137 x 193 cm)	DYNJP2499
1	Super Heavy Duty Table Cover	60" x 90" (152 X 229 cm)	DYNJP2314HD
1	Mayo Stand Cover	24" x 53" (61 x 165 cm)	DYNJP2500
1	Aurora Non-Reinforced Raglan Sleeve Gown, with Towel in Outer Wrap	X-Large	DYNJP2702
2	Prevention Plus Gowns	X-Long, X-Large	DYNJP2302P
1	Film Stockinette	12" x 48" (30 x 122 cm)	N/A
1	Paper Suture Bag		N/A



**Arthroscopy T-Drape with Fluid-Control Pouch**

- Poly-backed absorbent reinforcement, 29" x 36" (74 x 91 cm)
- Circular elastic fenestrations, 2.5" (6 cm)
- Attached fluid-control pouch with filter and port, 38" x 32" (97 x 81 cm)
- Malleable wire former
- Hook-and-loop line holders
- Available sterile DYNJP8102
- Included in pack DYNJP8150HD

Drapes and gowns are not made with natural rubber latex or sterile unless indicated in the description.

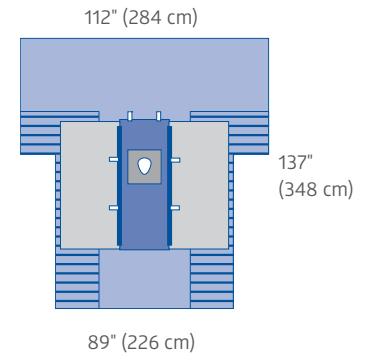
Clear 
  Foam 
  Plastic 
  Reinforcement 
  Fabric 
  Side Plastic 
  Incise 
  Pouches 
  Mesh

# Hip Drapes

## Hip Drape with Pouches

- Absorbent reinforcement, 22.5" x 56" (57 x 142 cm)
- Elastic fenestration with adhesive strip, 6.5" x 8" (17 x 20 cm)
- Contoured armboard covers
- Fluid-control pouches, 32" x 58" (81 x 147 cm)
- Hook-and-loop line holders

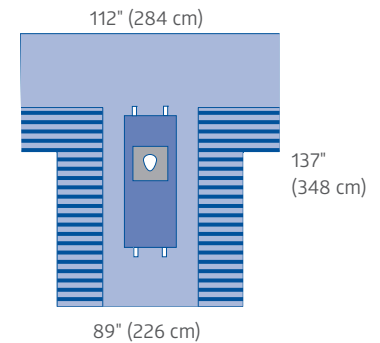
Item No.	Size	Non-Sterile Component	Pkg.
DYNJP8201	112" x 137" x 89" (284 x 348 x 226 cm)	SPT-8290A	5/cs



## Hip T-Drape

- Absorbent reinforcement, 22.5" x 56" (57 x 142 cm)
- Elastic fenestration with adhesive strip, 6.5" x 8" (17 x 20 cm)
- Contoured armboard covers
- Hook-and-loop line holders

Item No.	Size	Non-Sterile Component	Pkg.
DYNJP8203	112 x 137" x 89" (284 x 348 x 226" cm)	SPT-8260A	12/cs



Drapes and gowns are not made with natural rubber latex or sterile unless indicated in the description.

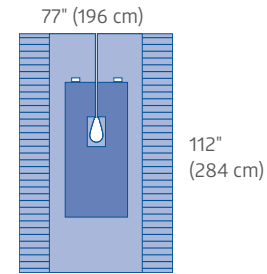
Clear
  Foam
  Plastic
  Reinforcement
  Fabric
  Side Plastic
  Incise
  Pouches
  Mesh

# Hip Drapes

## Hip Split Drape

- Absorbent reinforcement, 63" x 29" (160 x 74 cm)
- Split with adhesive, 52" (132 cm)
- Hook-and-loop line holders

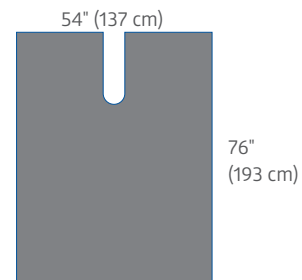
Item No.	Size	Non-Sterile Component	Pkg.
N/A	77" x 112" (196 x 284 cm)	SPT-8270A	N/A



## Film U-Drape

- Split with adhesive, 6" x 24" (15 x 61 cm)

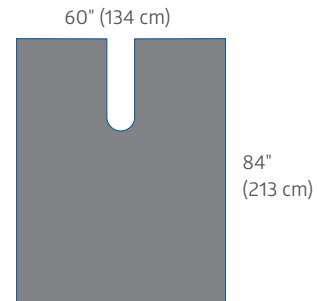
Item No.	Size	Non-Sterile Component	Pkg.
DYNJP2499	54" x 76" (137 x 193 cm)	12139	24/cs



## Large Film U-Drape

- Split with adhesive, 8" x 30" (20 x 76 cm)

Item No.	Size	Non-Sterile Component	Pkg.
DYNJP2430	60" x 84" (134 x 213 cm)	80320	22/cs



Drapes and gowns are not made with natural rubber latex or sterile unless indicated in the description.

Clear
  Foam
  Plastic
  Reinforcement
  Fabric
  Side Plastic
  Incise
  Pouches
  Mesh

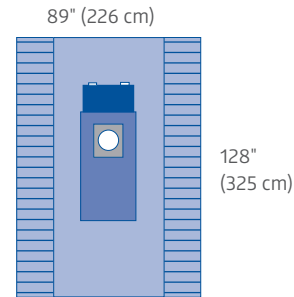
# Hip Packs

## Hip Surgical Pack 1

<b>DYNJP8200</b>	<b>Pkg.</b>
	6/cs

**Contents:**

Qty.	Item Description	Size	Item No.
1	Hip Drape	89" x 128" (226 x 325 cm)	N/A
1	Film U-Drape	54 x 76" (137 x 193 cm)	DYNJP2499
1	Reinforced Table Cover	50" x 90" (127 x 229 cm)	DYNJP2316
1	Mayo Stand Cover	24" x 53" (61 x 165 cm)	DYNJP2500
1	Eclipse Poly-Reinforced Gown	X-Large	DYNJP2202
4	Utility Drapes with Tape	15" x 26" (38 x 66 cm)	DYNJP2405
1	Film Stockinette	12" x 48" (30 x 122 cm)	N/A
1	Paper Suture Bag		N/A



**Hip Drape**

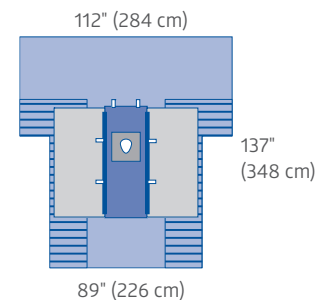
- Absorbent reinforcement, 27" x 53" (69 x 135 cm)
- Elastic fenestration with adhesive strip, 9" (23 cm)
- Instrument pad
- Hook-and-loop line holders
- Included in pack DYNJP8200

## Hip Surgical Packs 5

<b>DYNJP8240</b>	<b>Pkg.</b>
	3/cs

**Contents:**

Qty.	Item Description	Size	Item No.
1	Hip Drape with Pouches	112" x 137" x 89" (284 x 348 x 226 cm)	DYNJP8201
1	Film U-Drape	54 x 76" (137 x 193 cm)	DYNJP2499
1	Reinforced Table Cover	50" x 90" (127 x 229 cm)	DYNJP2316
1	Mayo Stand Cover	24" x 53" (61 x 165 cm)	DYNJP2500
1	Eclipse Poly-Reinforced Gown, with Towel in Outer Wrap	Large	DYNJP2201
2	Eclipse Poly-Reinforced Gown	X-Large	DYNJP2202
1	Film Stockinette	12" x 48" (30 x 122 cm)	N/A
2	Hand Towels	13" x 26" (33 x 66 cm)	DYNJP2220
1	Paper Suture Bag		N/A



**Hip Drape with Pouches**

- Absorbent reinforcement, 22.5" x 56" (57 x 142 cm)
- Elastic fenestration with adhesive strip, 6.5" x 8" (17 x 20 cm)
- Contoured armboard covers
- Fluid-control pouches, 32" x 58" (81 x 147 cm)
- Hook-and-loop line holders
- Available sterile DYNJP8201
- Included in pack DYNJP8240

Drapes and gowns are not made with natural rubber latex or sterile unless indicated in the description.

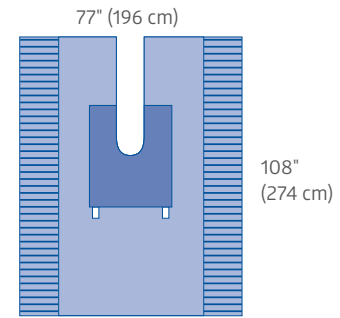
Clear
  Foam
  Plastic
  Reinforcement
  Fabric
  Side Plastic
  Incise
  Pouches
  Mesh

# General Orthopedic Drapes

## Orthopedic Split Drape

- Absorbent reinforcement, 39" x 23" (99 x 58 cm)
- Split with adhesive, 6" x 40" (15 x 102 cm)
- Hook-and-loop line holders

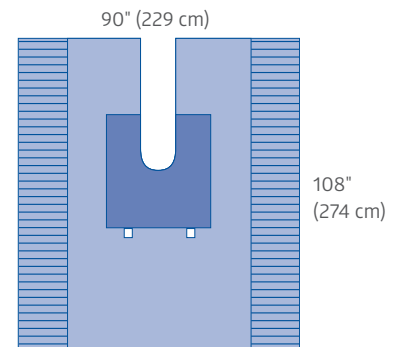
Item No.	Size	Non-Sterile Component	Pkg.
DYNJP8301	77" x 108" (196 x 274 cm)	SPT-2451A	10/cs



## X-Large Orthopedic Split Drape

- Absorbent reinforcement, 39" x 29" (99 cm x 74 cm)
- Split with adhesive, 6" x 40" (15 cm x 102 cm)
- Hook-and-loop line holders

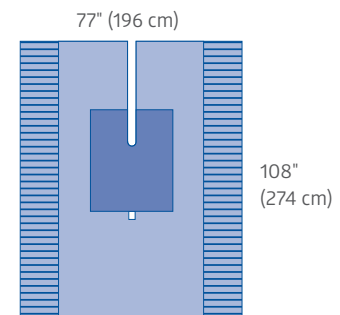
Item No.	Size	Non-Sterile Component	Pkg.
N/A	90" x 108" (229 x 274 cm)	SPT-2455A	N/A



## Split Drape with Adhesive

- Absorbent reinforcement, 36" x 29" (91 x 74 cm)
- Split with adhesive, 2.5" x 37" (6 x 94 cm)
- Hook-and-loop line holder

Item No.	Size	Non-Sterile Component	Pkg.
DYNJP2498	77" x 108" (196 x 274 cm)	SPT-2450A	10/cs



Drapes and gowns are not made with natural rubber latex or sterile unless indicated in the description.

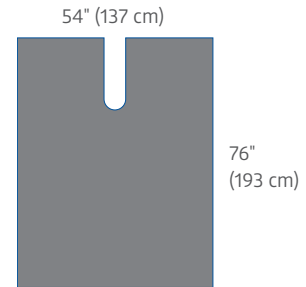
Clear
  Foam
  Plastic
  Reinforcement
  Fabric
  Side Plastic
  Incise
  Pouches
  Mesh

# General Orthopedic Drapes

## Film U-Drape

- Split with adhesive, 6" x 24" (15 x 61 cm)

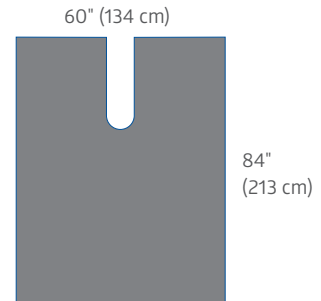
Item No.	Size	Non-Sterile Component	Pkg.
DYNJP2499	54" x 76" (137 x 193 cm)	12139	24/cs



## Large Film U-Drape

- Split with adhesive, 8" x 30" (20 x 76 cm)

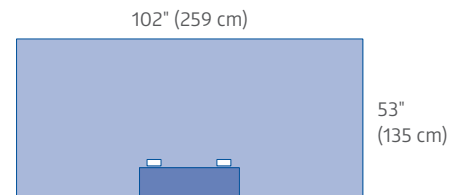
Item No.	Size	Non-Sterile Component	Pkg.
DYNJP2430	60" x 84" (134 x 213 cm)	80320	22/cs



## Top Drape

- Absorbent reinforcement, 29" x 10" (74 x 25 cm)
- Hook-and-loop line holders
- Adhesive along reinforced edge

Item No.	Size	Non-Sterile Component	Pkg.
DYNJP4002	102" x 53" (259 x 135 cm)	SPT-4205A	14/cs



Drapes and gowns are not made with natural rubber latex or sterile unless indicated in the description.

Clear 
  Foam 
  Plastic 
  Reinforcement 
  Fabric 
  Side Plastic 
  Incise 
  Pouches 
  Mesh

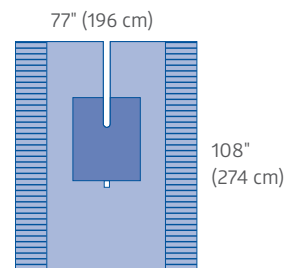
# General Orthopedic Packs

## Orthopedic Surgical Pack 1

<b>DYNJP8300</b>	<b>Pkg.</b>
	5/cs

**Contents:**

Qty.	Item Description	Size	Item No.
1	Split Drape with Adhesive	77" x 108" (196 x 274 cm)	DYNJP2498
1	Film U-Drape	54 x 76" (137 x 193 cm)	DYNJP2499
1	Reinforced Table Cover	50" x 90" (127 x 229 cm)	DYNJP2316
1	Mayo Stand Cover	24" x 53" (61 x 165 cm)	DYNJP2500
1	Three-Quarter Drape Sheet	53" x 77" (135 x 196 cm)	DYNJP2414
4	Utility Drapes with Tape	15" x 26" (38 x 66 cm)	DYNJP2405
2	Hand Towels	13" x 26" (33 x 66 cm)	DYNJP2220
1	Paper Suture Bag		N/A



**Split Drape with Adhesive**

- Absorbent reinforcement, 36" x 29" (91 x 74 cm)
- Split with adhesive, 2.5" x 37" (6 x 94 cm)
- Hook-and-loop line holder
- Available sterile DYNJP2498
- Included in pack DYNJP8300

Drapes and gowns are not made with natural rubber latex or sterile unless indicated in the description.

Clear 
  Foam 
  Plastic 
  Reinforcement 
  Fabric 
  Side Plastic 
  Incise 
  Pouches 
  Mesh



# General Orthopedic Packs

## Orthopedic Surgical Pack 3

<b>DYNJP8320</b>	<b>Pkg.</b>
	4/cs

### Contents:

Qty.	Item Description	Size	Item No.
1	Orthopedic Split Drape	77" x 108" (196 x 274 cm)	DYNJP8301
1	Film U-Drape	54 x 76" (137 x 193 cm)	DYNJP2499
1	Top Drape	102" x 53" (259 x 135 cm)	DYNJP4002
1	Reinforced Table Cover	50" x 90" (127 x 229 cm)	DYNJP2316
1	Mayo Stand Cover	24" x 53" (61 x 165 cm)	DYNJP2500
1	Eclipse Poly-Reinforced Gown, with Towel in Outer Wrap	Large	DYNJP2201
1	Eclipse Poly-Reinforced Gown	X-Large	DYNJP2202
1	Film Stockinette	12" x 48" (30 x 122 cm)	N/A
4	Utility Drapes with Tape	15" x 26" (38 x 66 cm)	DYNJP2405
1	Hand Towel	13" x 26" (33 x 66 cm)	DYNJP2220
1	Paper Suture Bag		N/A

<b>DYNJP8320S</b>	<b>Pkg.</b>
	4/cs

### Contents:

Qty.	Item Description	Size	Item No.
1	Orthopedic Split Drape	77" x 108" (196 x 274 cm)	DYNJP8301
1	Film U-Drape	54 x 76" (137 x 193 cm)	DYNJP2499
1	Top Drape	102" x 53" (259 x 135 cm)	DYNJP4002
1	Reinforced Table Cover	50" x 90" (127 x 229 cm)	DYNJP2316
1	Mayo Stand Cover	24" x 53" (61 x 165 cm)	DYNJP2500
1	Sirus Poly-Reinforced Gown, with Towel in Outer Wrap	Large	DYNJP2201S
1	Sirus Poly-Reinforced Gown	X-Large	DYNJP2202S
1	Film Stockinette	12" x 48" (30 x 122 cm)	N/A
1	Hand Towel	13" x 26" (33 x 66 cm)	DYNJP2220
1	Paper Suture Bag		N/A

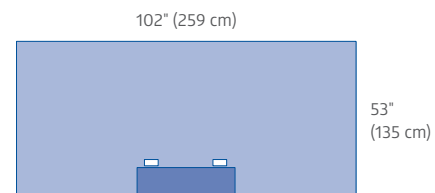
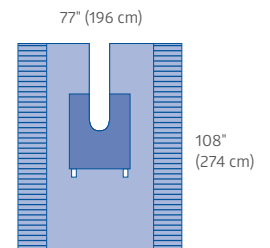
<b>DYNJP8320A</b>	<b>Pkg.</b>
	4/cs

### Contents:

Qty.	Item Description	Size	Item No.
1	Orthopedic Split Drape	77" x 108" (196 x 274 cm)	DYNJP8301
1	Film U-Drape	54 x 76" (137 x 193 cm)	DYNJP2499
1	Top Drape	102" x 53" (259 x 135 cm)	DYNJP4002
1	Reinforced Table Cover	50" x 90" (127 x 229 cm)	DYNJP2316
1	Mayo Stand Cover	24" x 53" (61 x 165 cm)	DYNJP2500
1	Aurora Poly-Reinforced Raglan Sleeve Gown with Towel in Outer Wrap	Large	DYNJP2807
1	Aurora Poly-Reinforced Raglan Sleeve Gown	X-Large	DYNJP2808
1	Film Stockinette	12" x 48" (30 x 122 cm)	N/A
4	Utility Drapes with Tape	15" x 26" (38 x 66 cm)	DYNJP2405
1	Paper Suture Bag		N/A

### Orthopedic Split Drape

- Absorbent reinforcement, 39" x 23" (99 x 58 cm)
- Split with adhesive, 6" x 40" (15 x 102 cm)
- Hook-and-loop line holders
- Available sterile DYNJP8301
- Included in packs DYNJP8320, DYNJP8320S, DYNJP8320A and DYNJP8330



### Top Drape

- Absorbent reinforcement, 29" x 10" (74 x 25 cm)
- Hook-and-loop line holders
- Adhesive along reinforced edge
- Available sterile DYNJP4002
- Included in packs DYNJP8320, DYNJP8320S, DYNJP8320A and DYNJP8330

Drapes and gowns are not made with natural rubber latex or sterile unless indicated in the description.

Clear
  Foam
  Plastic
  Reinforcement
  Fabric
  Side Plastic
  Incise
  Pouches
  Mesh

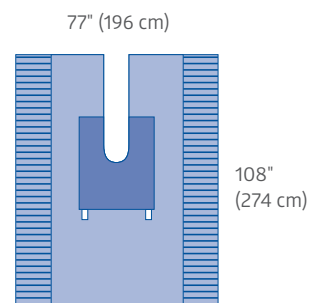
# General Orthopedic Packs

## Orthopedic Surgical Pack 4

<b>DYNJP8330</b>	<b>Pkg.</b>
	5/cs

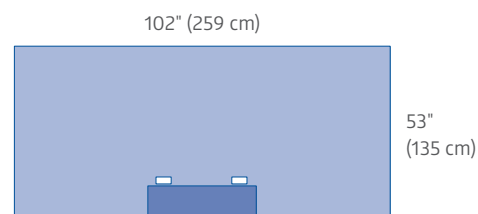
### Contents:

Qty.	Item Description	Size	Item No.
1	Orthopedic Split Drape	77" x 108" (196 x 274 cm)	DYNJP8301
1	Film U-Drape	54 x 76" (137 x 193 cm)	DYNJP2499
1	Top Drape	102" x 53" (259 x 135 cm)	DYNJP4002
1	Reinforced Table Cover	50" x 90" (127 x 229 cm)	DYNJP2316
1	Mayo Stand Cover	24" x 53" (61 x 165 cm)	DYNJP2500
1	Film Stockinette	12" x 48" (30 x 122 cm)	N/A
1	Paper Suture Bag		N/A



### Orthopedic Split Drape

- Absorbent reinforcement, 39" x 23" (99 x 58 cm)
- Split with adhesive, 6" x 40" (15 x 102 cm)
- Hook-and-loop line holders
- Available sterile DYNJP8301
- Included in packs DYNJP8320, DYNJP8320S, DYNJP8320A and DYNJP8330



### Top Drape

- Absorbent reinforcement, 29" x 10" (74 x 25 cm)
- Hook-and-loop line holders
- Adhesive along reinforced edge
- Available sterile DYNJP4002
- Included in packs DYNJP8320, DYNJP8320S, DYNJP8320A and DYNJP8330

Drapes and gowns are not made with natural rubber latex or sterile unless indicated in the description.

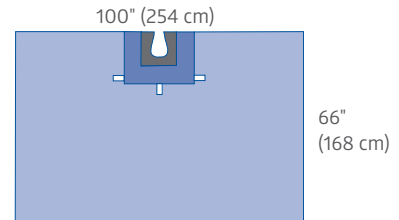
Clear
  Foam
  Plastic
  Reinforcement
  Fabric
  Side Plastic
  Incise
  Pouches
  Mesh

# Shoulder Drapes

## Shoulder Split Drape

- Absorbent reinforcement, 18" x 28" (46 x 71 cm)
- Contoured shoulder split, 3" x 8" (8 x 20 cm) pear shaped, with adhesive
- Hook-and-loop line holders

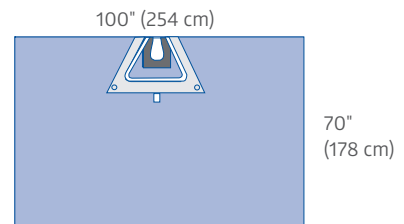
Item No.	Size	Non-Sterile Component	Pkg.
DYNJP8403	100" x 66" (254 x 168 cm)	SPT-8403A	8/cs



## Shoulder Split Drape with Pouch

- Contoured shoulder split, pear shaped, with adhesive, 3" x 8" (8 x 20 cm)
- Fluid-collection pouch with drainage ports, 4.5" x 21.5" (114 x 55 cm)
- Hook-and-loop line holder

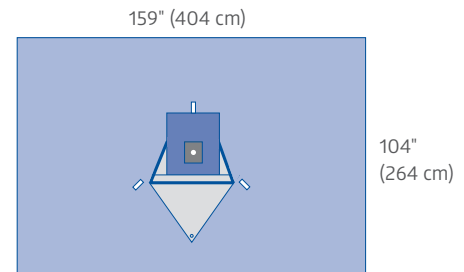
Item No.	Size	Non-Sterile Component	Pkg.
DYNJP8405	100" x 70" (254 x 178 cm)	SPT-8405A	8/cs



## Beach Chair Shoulder Drape

- Absorbent reinforcement, 18" x 28" (46 x 71 cm)
- Circular elastic fenestration with adhesive, 3.5" (9 cm)
- Attached fluid-collection pouch, 30" x 19" (76 x 48 cm) with port
- Malleable wire former
- Hook-and-loop line holders

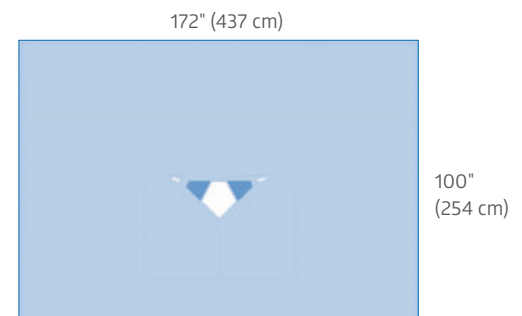
Item No.	Size	Non-Sterile Component	Pkg.
DYNJP8412	159" x 104" (404 x 264 cm)	SPT-8404A	5/cs



## Beach Chair Shoulder Drape

- Absorbent reinforcement, 18" x 28" (46 x 71 cm)
- Contoured shoulder split 28"
- Removable fluid-collection pouch, 30" x 19" (76 x 48 cm) with capped port
- Malleable wire former
- Hook-and-loop line holders

Item No.	Size	Non-Sterile Component	Pkg.
DYNJP8414	100" x 172" (254 x 437 cm)	SPT-8408A	5/cs



Drapes and gowns are not made with natural rubber latex or sterile unless indicated in the description.

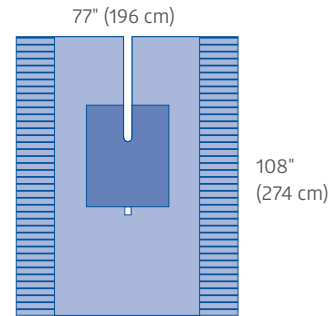
Clear
  Foam
  Plastic
  Reinforcement
  Fabric
  Side Plastic
  Incise
  Pouches
  Mesh

# Shoulder Drapes

## Split Drape with Adhesive

- Absorbent reinforcement, 36" x 29" (91 x 74 cm)
- Split with adhesive, 2.5" x 37" (6 x 94 cm)
- Hook-and-loop line holder

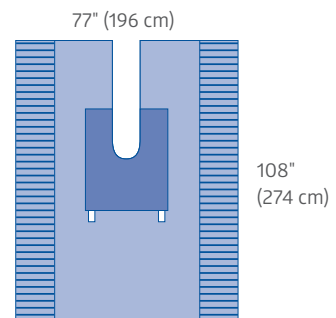
Item No.	Size	Non-Sterile Component	Pkg.
DYNJP2498	77" x 108" (196 x 274 cm)	SPT-2450A	10/cs



## Orthopedic Split Drape

- Absorbent reinforcement, 39" x 23" (99 x 58 cm)
- Split with adhesive, 6" x 40" (15 x 102 cm)
- Hook-and-loop line holders

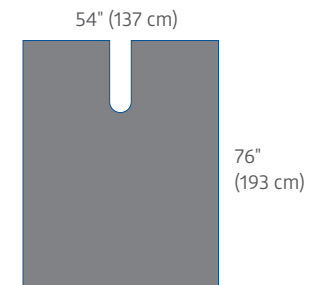
Item No.	Size	Non-Sterile Component	Pkg.
DYNJP8301	77" x 108" (196 x 274 cm)	SPT-2451A	10/cs



## Film U-Drape

- Split with adhesive, 6" x 24" (15 x 61 cm)

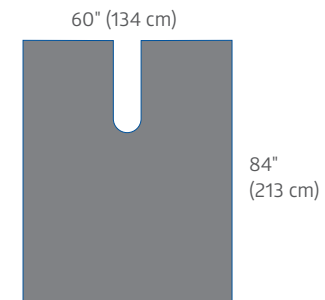
Item No.	Size	Non-Sterile Component	Pkg.
DYNJP2499	54" x 76" (137 x 193 cm)	12139	24/cs



## Large Film U-Drape

- Split with adhesive, 8" x 30" (20 x 76 cm)

Item No.	Size	Non-Sterile Component	Pkg.
DYNJP2430	60" x 84" (134 x 213 cm)	80320	22/cs



Drapes and gowns are not made with natural rubber latex or sterile unless indicated in the description.

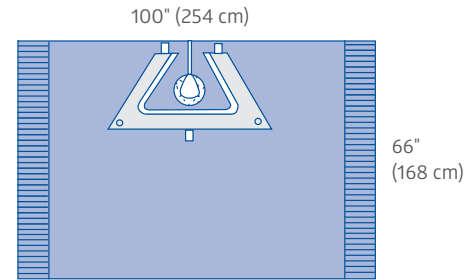
Clear 
  Foam 
  Plastic 
  Reinforcement 
  Fabric 
  Side Plastic 
  Incise 
  Pouches 
  Mesh

# Shoulder Drapes

## Shoulder Drape with Incise and Fluid Collection Pouch

- Contoured shoulder split, 7" x 11" (18 x 28 cm) pear shaped, with incise
- Fluid-collection pouch with drainage ports, 45 x 21.5" (114 x 55 cm)
- Hook-and-loop line holders

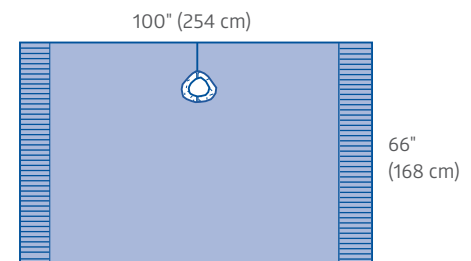
Item No.	Size	Non-Sterile Component	Pkg.
N/A	100" x 66" (254 x 168 cm)	SPT-8401A	N/A



## Shoulder Split Drape with Incise

- Contoured shoulder split, pear shaped, with incise, 7" x 11" (18 x 28 cm)

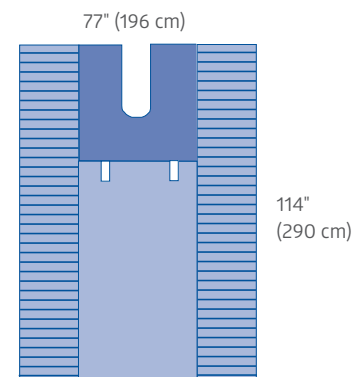
Item No.	Size	Non-Sterile Component	Pkg.
N/A	100" x 66" (254 x 168 cm)	SPT-8402A	N/A



## Body Split Drape for Shoulders

- Absorbent reinforcement, 39" x 40" (99 x 102 cm)
- Split with adhesive, 10" x 25" (25 x 64 cm)
- Hook-and-loop line holders

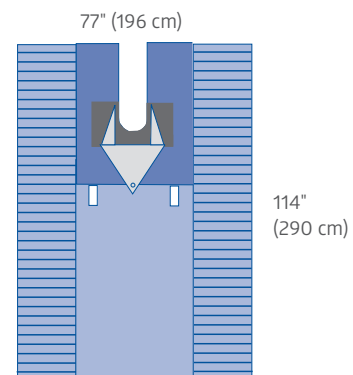
Item No.	Size	Non-Sterile Component	Pkg.
N/A	77" x 114" (196 x 290 cm)	SPT-2452A	N/A



## Body Split Drape for Shoulders with Pouch

- Absorbent reinforcement, 39" x 40" (99 x 102 cm)
- Split with adhesive, 10" x 25" (25 x 64 cm)
- Fluid-control pouch with side channels and port, 30" x 19" (76 x 48 cm)
- Hook-and-loop line holders

Item No.	Size	Non-Sterile Component	Pkg.
N/A	77" x 114" (196 x 290 cm)	SPT-2454A	N/A



Drapes and gowns are not made with natural rubber latex or sterile unless indicated in the description.

Clear
  Foam
  Plastic
  Reinforcement
  Fabric
  Side Plastic
  Incise
  Pouches
  Mesh

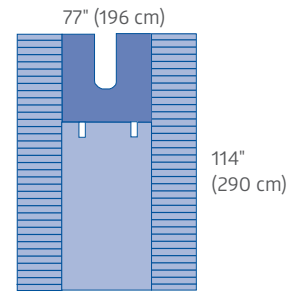
# Shoulder Packs

## Shoulder Surgical Pack 1

DYNJP8400			Pkg.
			3/cs
Contents:			
Qty.	Item Description	Size	Item No.
1	Body Split Drape for Shoulders	77" x 114" (196 x 290 cm)	N/A
1	Shoulder Drape with Incise and Fluid Collection Pouch	100" x 66" (254 x 168 cm)	N/A
1	Reinforced Table Cover	50" x 90" (127 x 229 cm)	DYNJP2316
1	Mayo Stand Cover	24" x 53" (61 x 165 cm)	DYNJP2500
1	Eclipse Poly-Reinforced Gown, with Towel in Outer Wrap	Large	DYNJP2201
1	Eclipse Poly-Reinforced Gown	2X-Large	DYNJP2203
2	Drape Tape Strips	3.7" x 24" (10 x 60 cm)	DYNJP2494
1	Hand Towel	13" x 26" (33 x 66 cm)	DYNJP2220
1	Paper Suture Bag		N/A

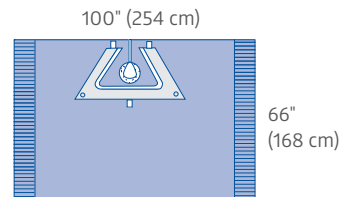
## Shoulder Surgical Drape Pack with Pouch

DYNJP8401			Pkg.
			10/cs
Contents:			
Qty.	Item Description	Size	Item No.
1	Body Split Drape for Shoulders	77" x 114" (196 x 290 cm)	N/A
1	Shoulder Drape with Incise and Fluid Collection Pouch	100" x 66" (254 x 168 cm)	N/A



### Body Split Drape for Shoulders

- Absorbent reinforcement, 39" x 40" (99 x 102 cm)
- Split with adhesive, 10" x 25" (25 x 64 cm)
- Hook-and-loop line holders
- Not available sterile
- Included in packs DYNJP8400, DYNJP8401, DYNJP8410, DYNJP8410SI, DYNJP8411, DYNJP8420 and DYNJP8421



### Shoulder Drape with Incise and Fluid Collection Pouch

- Contoured shoulder split, 7" x 11" (18 x 28 cm) pear shaped, with incise
- Fluid-collection pouch with drainage ports, 45" x 21.5" (114 x 55 cm)
- Hook-and-loop line holders
- Not available sterile
- Included in packs DYNJP8400 and DYNJP8401

# Shoulder Packs

## Shoulder Surgical Pack 2

<b>DYNJP8410</b>	<b>Pkg.</b>
	3/cs

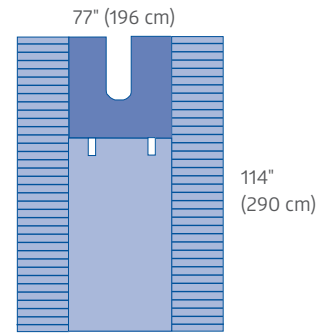
**Contents:**

Qty.	Item Description	Size	Item No.
1	Body Split Drape for Shoulders	77" x 114" (196 x 290 cm)	N/A
1	Shoulder Split Drape with Incise	100" x 66" (254 x 168 cm)	N/A
1	Film U-Drape	54 x 76" (137 x 193 cm)	DYNJP2499
1	Reinforced Table Cover	50" x 90" (127 x 229 cm)	DYNJP2316
1	Mayo Stand Cover	24" x 53" (61 x 165 cm)	DYNJP2500
1	Eclipse Non-Reinforced Gown, with Towel in Outer Wrap	Large	DYNJP2001
1	Eclipse Poly-Reinforced Gown	2X-Large	DYNJP2203
4	Utility Drapes with Tape	15" x 26" (38 x 66 cm)	DYNJP2405
3	Hand Towels	13" x 26" (33 x 66 cm)	DYNJP2220
1	Paper Suture Bag		N/A

<b>DYNJP8410SI</b>	<b>Pkg.</b>
	3/cs

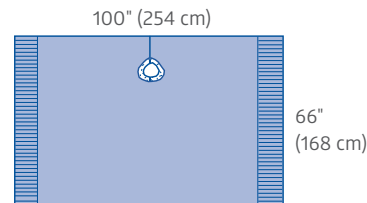
**Contents:**

Qty.	Item Description	Size	Item No.
1	Body Split Drape for Shoulders	77" x 114" (196 x 290 cm)	N/A
1	Shoulder Drape with Incise and Fluid Collection Pouch	100" x 66" (254 x 168 cm)	N/A
1	Film U-Drape	54 x 76" (137 x 193 cm)	DYNJP2499
1	Reinforced Table Cover	50" x 90" (127 x 229 cm)	DYNJP2316
1	Mayo Stand Cover	24" x 53" (61 x 165 cm)	DYNJP2500
1	Sirus Non-Reinforced Gown, with Towel in Outer Wrap	Large	DYNJP2001S
1	Sirus Poly-Reinforced Gown	X-Large	DYNJP2202S
1	Paper Suture Bag		N/A



**Body Split Drape for Shoulders**

- Absorbent reinforcement, 39" x 40" (99 x 102 cm)
- Split with adhesive, 10" x 25" (25 x 64 cm)
- Hook-and-loop line holders
- Not available sterile
- Included in packs DYNJP8400, DYNJP8401, DYNJP8410, DYNJP8410SI, DYNJP8411, DYNJP8420 and DYNJP8421



**Shoulder Split Drape with Incise**

- Contoured shoulder split, pear shaped, with incise, 7" x 11" (18 x 28 cm)
- Not available sterile
- Included in packs DYNJP8410, DYNJP8410SI and DYNJP8411

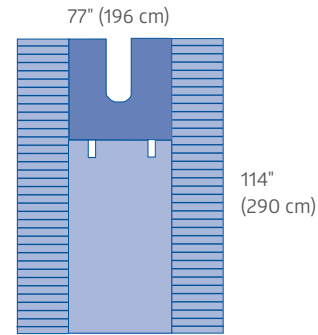
Drapes and gowns are not made with natural rubber latex or sterile unless indicated in the description.

Clear 
  Foam 
  Plastic 
  Reinforcement 
  Fabric 
  Side Plastic 
  Incise 
  Pouches 
  Mesh

# Shoulder Packs

## Shoulder Surgical Drape Pack

<b>DYNJP8411</b>			<b>Pkg.</b>
			8/cs
<b>Contents:</b>			
Qty.	Item Description	Size	Item No.
1	Body Split Drape for Shoulders	77" x 114" (196 x 290 cm)	N/A
1	Shoulder Split Drape with Incise	100" x 66" (254 x 168 cm)	N/A



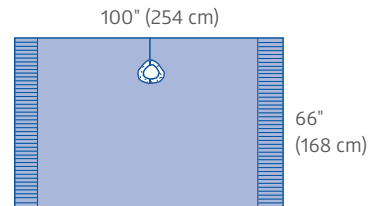
### Body Split Drape for Shoulders

- Absorbent reinforcement, 39" x 40" (99 x 102 cm)
- Split with adhesive, 10" x 25" (25 x 64 cm)
- Hook-and-loop line holders
- Not available sterile
- Included in packs DYNJP8400, DYNJP8401, DYNJP8410, DYNJP8410SI, DYNJP8411, DYNJP8420 and DYNJP8421

## Shoulder Surgical Pack 3

<b>DYNJP8420</b>			<b>Pkg.</b>
			5/cs

<b>Contents:</b>			
Qty.	Item Description	Size	Item No.
1	Body Split Drape for Shoulders	77" x 114" (196 x 290 cm)	N/A
1	Shoulder Split Drape	100" x 66" (254 x 168 cm)	DYNJP8403
1	Film U-Drape	54 x 76" (137 x 193 cm)	DYNJP2499
1	Reinforced Table Cover	50" x 90" (127 x 229 cm)	DYNJP2316
1	Mayo Stand Cover	24" x 53" (61 x 165 cm)	DYNJP2500
2	Drape Tape Strips	3.7" x 24" (10 x 60 cm)	DYNJP2494
1	Paper Suture Bag		N/A

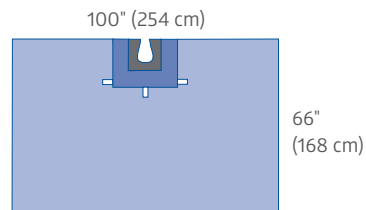


### Shoulder Split Drape with Incise

- Contoured shoulder split, pear shaped, with incise, 7" x 11" (18 x 28 cm)
- Not available sterile
- Included in packs DYNJP8410, DYNJP8410SI and DYNJP8411

<b>DYNJP8421</b>			<b>Pkg.</b>
			8/cs

<b>Contents:</b>			
Qty.	Item Description	Size	Item No.
1	Body Split Drape for Shoulders	77" x 114" (196 x 290 cm)	N/A
1	Shoulder Split Drape	100" x 66" (254 x 168 cm)	DYNJP8403



### Shoulder Split Drape

- Absorbent reinforcement, 18" x 28" (46 x 71 cm)
- Contoured shoulder split, 3" x 8" (8 x 20 cm) pear shaped, with adhesive
- Hook-and-loop line holders
- Available sterile DYNJP8403
- Included in packs DYNJP8420, DYNJP8421 and DYNJP8441

Drapes and gowns are not made with natural rubber latex or sterile unless indicated in the description.

Clear 
  Foam 
  Plastic 
  Reinforcement 
  Fabric 
  Side Plastic 
  Incise 
  Pouches 
  Mesh



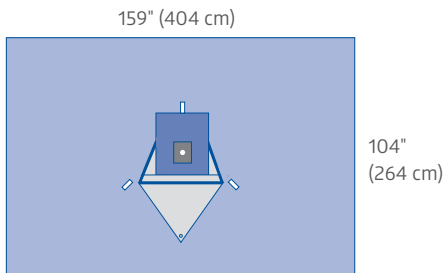
# Shoulder Packs

## Beach Chair Shoulder Surgical Pack

<b>DYNJP8430</b>	<b>Pkg.</b>
	3/cs

**Contents:**

Qty.	Item Description	Size	Item No.
1	Beach Chair Shoulder Drape	159" x 104" (404 x 264 cm)	DYNJP8412
1	Film U-Drape	54 x 76" (137 x 193 cm)	DYNJP2499
1	Reinforced Table Cover	50" x 90" (127 x 229 cm)	DYNJP2316
1	Mayo Stand Cover	24" x 53" (61 x 165 cm)	DYNJP2500
1	Eclipse Poly-Reinforced Gown, with Towel in Outer Wrap	Large	DYNJP2201
1	Eclipse Poly-Reinforced Gown	X-Large	DYNJP2202
1	Hand Towel	13" x 26" (33 x 66 cm)	DYNJP2220
1	Paper Suture Bag		N/A



**Beach Chair Shoulder Drape**

- Absorbent reinforcement, 18" x 28" (46 x 71 cm)
- Circular elastic fenestration with adhesive, 3.5" (9 cm)
- Attached fluid-collection pouch, 30" x 19" (76 x 48 cm) with port
- Malleable wire former
- Hook-and-loop line holders
- Available sterile DYNJP8412
- Included in pack DYNJP8430

Drapes and gowns are not made with natural rubber latex or sterile unless indicated in the description.

Clear
  Foam
  Plastic
  Reinforcement
  Fabric
  Side Plastic
  Incise
  Pouches
  Mesh

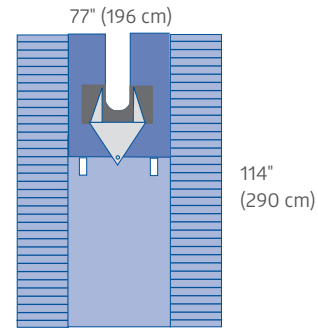
# Shoulder Packs

## Shoulder Surgical Pack 4

<b>DYNJP8441</b>	<b>Pkg.</b>
	10/cs

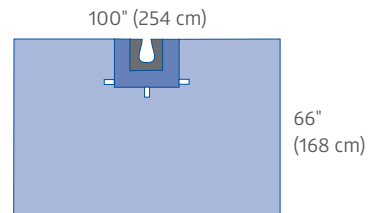
**Contents:**

Qty.	Item Description	Size	Item No.
1	Body Split Drape for Shoulders with Pouch	77 x 114" (196 x 290 cm)	N/A
1	Shoulder Split Drape	100" x 66" (254 x 168 cm)	DYNJP8403



**Body Split Drape for Shoulders with Pouch**

- Absorbent reinforcement, 39" x 40" (99 x 102 cm)
- Split with adhesive, 10" x 25" (25 x 64 cm)
- Fluid-control pouch with side channels and port, 30" x 19" (76 x 48 cm)
- Hook-and-loop line holders
- Not available sterile
- Included in pack DYNJP8441



**Shoulder Split Drape**

- Absorbent reinforcement, 18" x 28" (46 x 71 cm)
- Contoured shoulder split, 3" x 8" (8 x 20 cm) pear shaped, with adhesive
- Hook-and-loop line holders
- Available sterile DYNJP8403
- Included in packs DYNJP8420, DYNJP8421 and DYNJP8441

Drapes and gowns are not made with natural rubber latex or sterile unless indicated in the description.

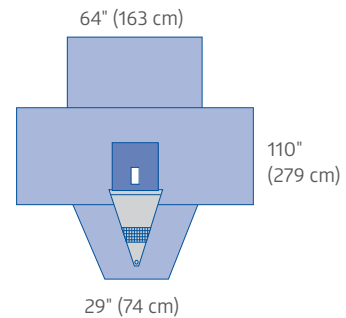
Clear
  Foam
  Plastic
  Reinforcement
  Fabric
  Side Plastic
  Incise
  Pouches
  Mesh

# Lithotomy/Laparoscopy Drapes

## Lithotomy Drape with Attached Leggings and Fluid-Control Pouch

- Absorbent reinforcement, 19" x 18" (48 x 46 cm)
- Perineal fenestration with adhesive, 3" x 6" (8 x 15 cm)
- Clear fluid-collection pouch with port, 27" x 30" (69 x 76 cm)
- Anesthesia screen, 64" x 39" (163 x 99 cm)

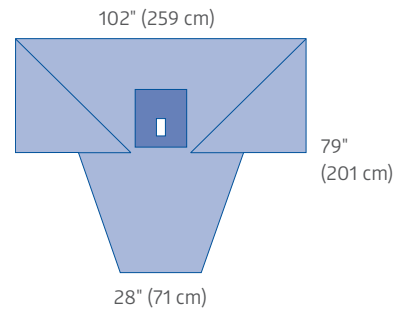
Item No.	Size	Non-Sterile Component	Pkg.
DYNJP9001	64" x 110" x 29" (163 x 279 x 74 cm)	SPT-3580A	8/cs



## Lithotomy Drape with Attached Leggings

- Absorbent reinforcement, 20" x 18" (51 x 46 cm)
- Fenestration with adhesive, 3" x 6" (8 x 15 cm)

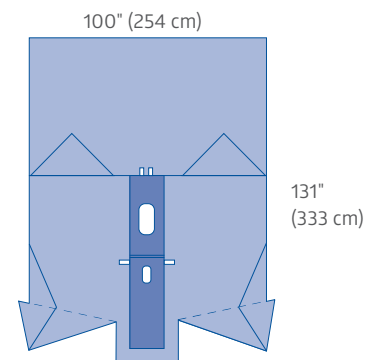
Item No.	Size	Non-Sterile Component	Pkg.
DYNJP9002	102" x 79" x 28" (259 x 201 x 71 cm)	SPT-3575A	10/cs



## Abdominal Lithotomy Drape

- Absorbent reinforcement, 14" x 72" (36 x 183 cm)
- Abdominal fenestration with adhesive, 6" x 12" (15 x 30 cm)
- Perineal fenestration with privacy flap, 3" x 6" (8 x 15 cm)
- Attached leggings
- Four hook-and-loop line holders

Item No.	Size	Non-Sterile Component	Pkg.
DYNJP9004	100" x 131" (254 x 333 cm)	SPT-3585A	8/cs



Drapes and gowns are not made with natural rubber latex or sterile unless indicated in the description.

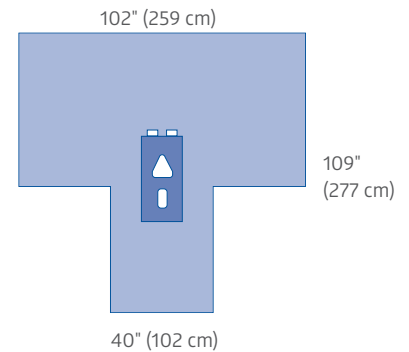
Clear
  Foam
  Plastic
  Reinforcement
  Fabric
  Side Plastic
  Incise
  Pouches
  Mesh

# Lithotomy/Laparoscopy Drapes

## Laparoscopy Drape

- Absorbent reinforcement, 29" x 14" (74 x 36 cm)
- Triangular abdominal fenestration with adhesive, 7.5" x 8" x 8" (19 x 20 x 20 cm)
- Rectangular fenestration with privacy flap, 3" x 6" (8 x 15 cm)
- Hook-and-loop line holders

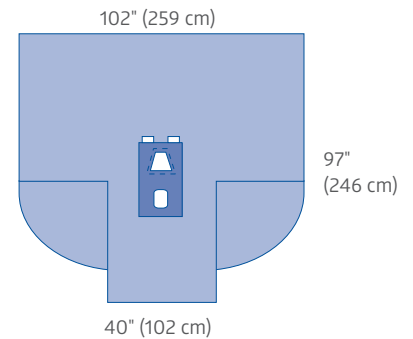
Item No.	Size	Non-Sterile Component	Pkg.
DYNJP9101	102" x 109" x 40" (259 x 277 x 102 cm)	SPT-3711A	8/cs



## Laparoscopy Drape with Gussets

- Absorbent reinforcement, 14" x 27.5" (36 x 70 cm)
- Trapezoidal abdominal fenestration with adhesive, 7" x 7" x 9" (18 x 18 x 23 cm)
- Perineal fenestration with privacy flap, 3" x 6" (8 x 15 cm)
- Hook-and-loop line holders

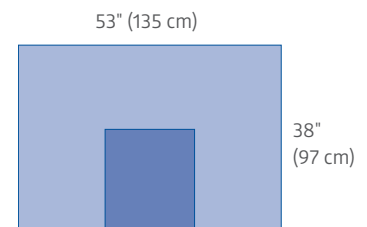
Item No.	Size	Non-Sterile Component	Pkg.
DYNJP9104	102" x 97" x 40" (259 x 246 x 102 cm)	SPT-3712A	10/cs



## Abdominal Drape

- Absorbent reinforcement, 21" x 18" (53 x 46 cm)
- Adhesive

Item No.	Size	Non-Sterile Component	Pkg.
N/A	53" x 38" (135 x 97 cm)	SPT-2600A	N/A



Drapes and gowns are not made with natural rubber latex or sterile unless indicated in the description.

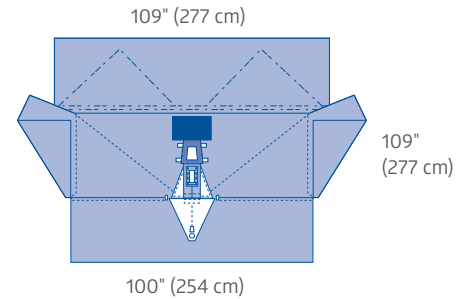
Clear
  Foam
  Plastic
  Reinforcement
  Fabric
  Side Plastic
  Incise
  Pouches
  Mesh

# Lithotomy/Laparoscopy Drapes

## LAVH Drape

- Absorbent reinforcement around abdominal fenestration, 12" x 16" (30 x 41 cm); around perineal fenestration, 12" x 13" (30 x 33 cm)
- Abdominal fenestration, 6.75" x 9" x 9" (18 x 23 x 23 cm)
- Perineal fenestration, 3" x 6" (8 x 15 cm)
- Fluid collection pouch with port and screen, 22" x 33.5" (56 x 85 cm)
- Instrument pad, 10" x 18" (25 x 46 cm)
- Attached leggings
- Four hook-and-loop line holders on drape plus two additional for custom placement

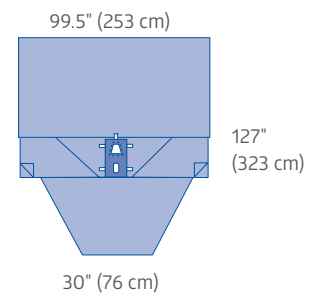
Item No.	Size	Non-Sterile Component	Pkg.
DYNJP9103	109" x 109" x 100" (277 x 277 x 254 cm)	SPT-3595A	8/cs



## Laparoscopy/Pelviscopy Drape

- Absorbent reinforcement, 15" x 30" (38 x 76 cm)
- Abdominal fenestration with adhesive, 7" x 7" x 9" (18 x 18 x 23 cm)
- Perineal fenestration with privacy flap, 3" x 8" (8 x 20 cm)
- Attached leggings
- Hook-and-loop line holders

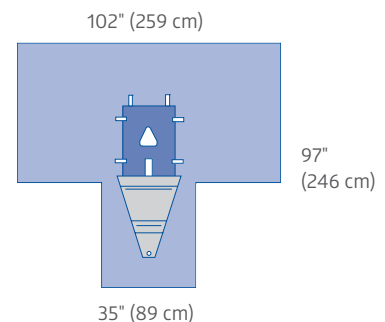
Item No.	Size	Non-Sterile Component	Pkg.
DYNJP9105A	99.5 x 127" x 30" (253 x 127 x 76 cm)	SPT-3714A	10/cs



## Laparoscopic Perineal Drape with Pouch

- Absorbent reinforcement, 29" x 20" (74 x 51 cm)
- Triangular abdominal fenestration with adhesive, 8" x 8.75" x 8.75" (20 x 22 x 22 cm)
- Perineal fenestration, 3" x 7" (8 x 18 cm) with adhesive and privacy flap
- Fluid-control pouch, 29" x 24" (74 x 61 cm), with screen and port
- Hook-and-loop line holders

Item No.	Size	Non-Sterile Component	Pkg.
N/A	102" x 97" x 35" (259 x 246 x 89 cm)	SPT-3751A	N/A



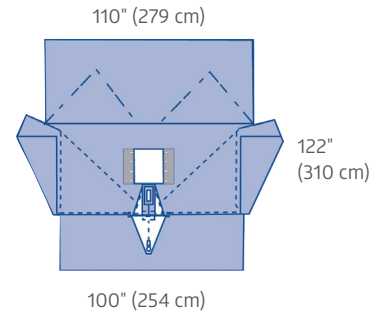
Drapes and gowns are not made with natural rubber latex or sterile unless indicated in the description.

Clear
  Foam
  Plastic
  Reinforcement
  Fabric
  Side Plastic
  Incise
  Pouches
  Mesh

# Lithotomy/Laparoscopy Drapes

## Robotics Drapes

- Absorbent reinforcement around the abdominal fenestration, 20" x 25" (51 x 64 cm)
- Absorbent reinforcement around the perineal fenestration, 17" x 12" (43 x 30 cm)
- Abdominal fenestration, 15" x 13" (38 cm x 33 cm); perineal fenestration, 5" x 6" (13 x 15 cm)
- Two 9" x 25" (28 x 64 cm) troughs (DYNJP9106)
- Fluid collection pouch, 22" x 33.5" (56 x 85 cm) (DYNJP9108)

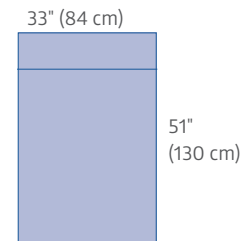


Item No.	Size	Non-Sterile Component	Pkg.
DYNJP9106	With Leggings, 110" x 122" x 100" (279 x 310 x 254 cm)	SPT-3596A	5/cs
DYNJP9108	With Leggings, 110" x 122" x 100" (279 x 310 x 254 cm)	92480	5/cs

## Leggings

- 6" (15 cm) cuff

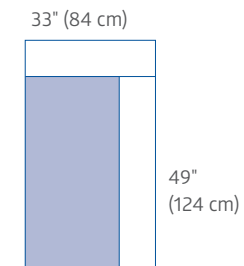
Item No.	Size	Non-Sterile Component	Pkg.
DYNJP2460	29" x 43" (74 x 109 cm)	12147	2/pk, 20pk/cs
DYNJP2460A	31" x 48" (79 x 122 cm)	12147A	2/pk, 20pk/cs
DYNJP2461	33" x 51" (84 x 130 cm), X-Large	27478	2/pk, 20pk/cs



## Clear Leggings

- 6" (15 cm) cuff

Item No.	Size	Non-Sterile Component	Pkg.
DYNJP2462	33" x 49" (84 x 124 cm)	SPT-2462R/ SPT-2462L	2/pk, 20pk/cs



Drapes and gowns are not made with natural rubber latex or sterile unless indicated in the description.

Clear
  Foam
  Plastic
  Reinforcement
  Fabric
  Side Plastic
  Incise
  Pouches
  Mesh

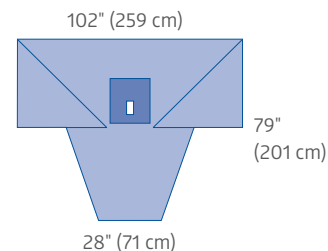
# Lithotomy/Laparoscopy Packs

## Lithotomy Surgical Pack 1

<b>DYNJP9000</b>	<b>Pkg.</b>
	10/cs

### Contents:

Qty.	Item Description	Size	Item No.
1	Lithotomy Drape with Attached Leggings	102" x 79" (259 x 201 cm)	DYNJP9002
1	Underbuttocks Drape with Cuff	35" x 47" (89 x 119 cm)	DYNJP6001
1	Reinforced Table Cover	50" x 90" (127 x 229 cm)	DYNJP2316
1	Hand Towel	13" x 26" (33 x 66 cm)	DYNJP2220



### Lithotomy Drape with Attached Leggings

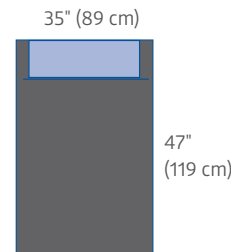
- Absorbent reinforcement, 20" x 18" (51 x 46 cm)
- Fenestration with adhesive, 3" x 6" (8 x 15 cm)
- Available sterile DYNJP9002
- Included in pack DYNJP9000

## Lithotomy Surgical Pack 2

<b>DYNJP9010</b>	<b>Pkg.</b>
	12/cs

### Contents:

Qty.	Item Description	Size	Item No.
1	Abdominal Drape	53" x 38" (135 x 97 cm)	N/A
1	Underbuttocks Drape with Cuff	35" x 47" (89 x 119 cm)	DYNJP6001
1	Reinforced Table Cover	50" x 90" (127 x 229 cm)	DYNJP2316
2	Leggings	29" x 43" (74 x 109 cm)	DYNJP2460
1	Utility Drape with Tape	15" x 26" (38 x 66 cm)	DYNJP2405
2	Hand Towels	13" x 26" (33 x 66 cm)	DYNJP2220



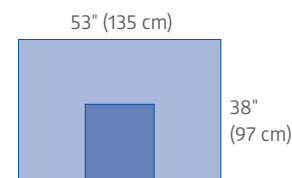
### Underbuttocks Drape with Cuff

- Cuff, 7" (18 cm)
- Available sterile DYNJP6001
- Included in packs DYNJP9000, DYNJP9010 and DYNJP9010S

<b>DYNJP9010S</b>	<b>Pkg.</b>
	12/cs

### Contents:

Qty.	Item Description	Size	Item No.
1	Underbuttocks Drape with Cuff	35" x 47" (89 x 119 cm)	DYNJP6001
1	Reinforced Table Cover	50" x 90" (127 x 229 cm)	DYNJP2316
2	Leggings	29" x 43" (74 x 109 cm)	DYNJP2460
1	Utility Drape with Tape	15" x 26" (38 x 66 cm)	DYNJP2405
1	Medium Drape Sheet with Tape	40" x 70" (102 x 178 cm)	DYNJP2412T



### Abdominal Drape

- Absorbent reinforcement, 21" x 18" (53 x 46 cm)
- Adhesive
- Not available sterile
- Included in packs DYNJP9010, DYNJP9020 and DYNJP9020A

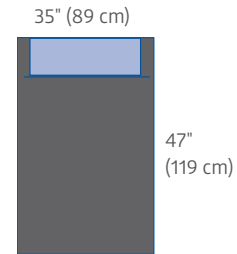
# Lithotomy/Laparoscopy Packs

## Lithotomy Surgical Pack 3

<b>DYNJP9020</b>	<b>Pkg.</b>
	10/cs

**Contents:**

Qty.	Item Description	Size	Item No.
1	Abdominal Drape	53" x 38" (135 x 97 cm)	N/A
1	Underbuttocks Drape with Cuff	35" x 47" (89 x 119 cm)	DYNJP6001
1	Reinforced Table Cover	50" x 90" (127 x 229 cm)	DYNJP2316
1	Eclipse Non-Reinforced Gown	Large	DYNJP2001
2	Leggings	29" x 43" (74 x 109 cm)	DYNJP2460
1	Utility Drape with Tape	15" x 26" (38 x 66 cm)	DYNJP2405
3	Hand Towels	13" x 26" (33 x 66 cm)	DYNJP2220



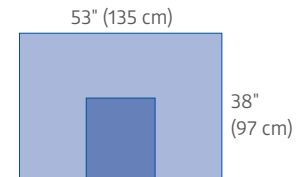
**Underbuttocks Drape with Cuff**

- Cuff, 7" (18 cm)
- Available sterile DYNJP6001
- Included in packs DYNJP9020, DYNJP9020S and DYNJP9020A

<b>DYNJP9020S</b>	<b>Pkg.</b>
	10/cs

**Contents:**

Qty.	Item Description	Size	Item No.
1	Underbuttocks Drape with Cuff	35" x 47" (89 x 119 cm)	DYNJP6001
1	Reinforced Table Cover	50" x 90" (127 x 229 cm)	DYNJP2316
1	Sirus Non-Reinforced Gown	Large	DYNJP2001S
2	Leggings	29" x 43" (74 x 109 cm)	DYNJP2460
1	Utility Drape with Tape	15" x 26" (38 x 66 cm)	DYNJP2405
1	Medium Drape Sheet with Tape	40" x 70" (102 x 178 cm)	DYNJP2412T
1	Hand Towel	13" x 26" (33 x 66 cm)	DYNJP2220



**Abdominal Drape**

- Absorbent reinforcement, 21" x 18" (53 x 46 cm)
- Adhesive
- Not available sterile
- Included in packs DYNJP9010, DYNJP9020 and DYNJP9020A

<b>DYNJP9020A</b>	<b>Pkg.</b>
	10/cs

**Contents:**

Qty.	Item Description	Size	Item No.
1	Abdominal Drape	53" x 38" (135 x 97 cm)	N/A
1	Underbuttocks Drape with Cuff	35" x 47" (89 x 119 cm)	DYNJP6001
1	Reinforced Table Cover	50" x 90" (127 x 229 cm)	DYNJP2316
1	Aurora Non-Reinforced Raglan Sleeve Gown	Large	DYNJP2801
2	Leggings	31" x 48" (79 x 122 cm)	DYNJP2460A
1	Utility Drape with Tape	15" x 26" (38 x 66 cm)	DYNJP2405
3	Hand Towels	13" x 26" (33 x 66 cm)	DYNJP2220

Drapes and gowns are not made with natural rubber latex or sterile unless indicated in the description.

Clear
  Foam
  Plastic
  Reinforcement
  Fabric
  Side Plastic
  Incise
  Pouches
  Mesh



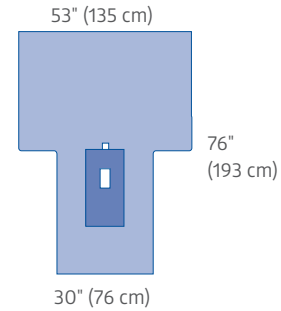
# Lithotomy/Laparoscopy Packs

## Lithotomy Surgical Pack 4

<b>DYNJP9030A</b>	<b>Pkg.</b>
	10/cs

**Contents:**

Qty.	Item Description	Size	Item No.
1	Lithotomy T-Drape	53" x 76" x 30" (135 x 193 x 76 cm)	N/A
1	Reinforced Table Cover	50" x 90" (127 x 229 cm)	DYNJP2316
2	Leggings	31" x 48" (79 x 122 cm)	DYNJP2460A
1	Utility Drape with Tape	15" x 26" (38 x 66 cm)	DYNJP2405
2	Hand Towels	13" x 26" (33 x 66 cm)	DYNJP2220



**Lithotomy T-Drape**

- Absorbent reinforcement, 12" x 23" (30 x 58 cm)
- Fenestration with adhesive, 3" x 6" (8 x 15 cm)
- Hook-and-loop line holder
- Included in pack DYNJP9030A

Drapes and gowns are not made with natural rubber latex or sterile unless indicated in the description.

Clear
  Foam
  Plastic
  Reinforcement
  Fabric
  Side Plastic
  Incise
  Pouches
  Mesh

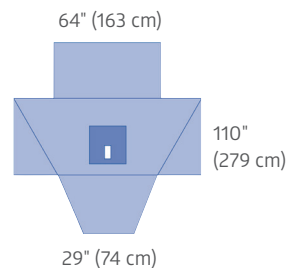
# Lithotomy/Laparoscopy Packs

## Lithotomy Surgical Pack 5

<b>DYNJP9070</b>	<b>Pkg.</b>
	10/cs

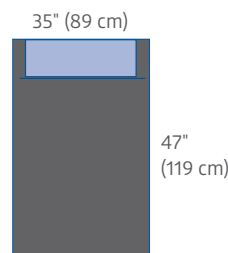
**Contents:**

Qty.	Item Description	Size	Item No.
1	Lithotomy Drape with Attached Leggings and Anesthesia Screen	64" x 110" (163 x 110 cm)	N/A
1	Underbuttocks Drape with Cuff	35" x 47" (89 x 119 cm)	DYNJP6001
1	Reinforced Table Cover	50" x 90" (127 x 229 cm)	DYNJP2316
1	Utility Drape with Tape	15" x 26" (38 x 66 cm)	DYNJP2405
1	Hand Towel	13" x 26" (33 x 66 cm)	DYNJP2220



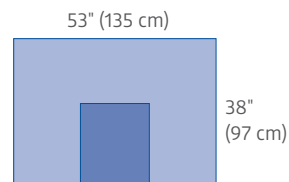
**Lithotomy Drape with Attached Leggings and Anesthesia Screen**

- Absorbent reinforcement, 19" x 18" (48 x 46 cm)
- Perineal fenestration with adhesive, 3" x 6" (8 x 15 cm)
- Anesthesia screen, 64" x 39" (163 x 99 cm)
- Included in pack DYNJP9070



**Underbuttocks Drape with Cuff**

- Cuff, 7" (18 cm)
- Available sterile DYNJP6001
- Included in pack DYNJP9070



**Abdominal Drape**

- Absorbent reinforcement, 21" x 18" (53 x 46 cm)
- Adhesive
- Not available sterile
- Included in packs DYNJP9010, DYNJP9020 and DYNJP9020A

Drapes and gowns are not made with natural rubber latex or sterile unless indicated in the description.

Clear
  Foam
  Plastic
  Reinforcement
  Side Plastic
  Incise
  Pouches
  Mesh

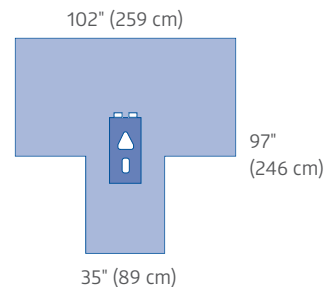
# Lithotomy/Laparoscopy Packs

## Laparoscopy Surgical Pack 1

<b>DYNJP9100</b>	<b>Pkg.</b>
	10/cs

### Contents:

Qty.	Item Description	Size	Item No.
1	Laparoscopy Drape	102" x 97" x 35" (259 x 246 x 89 cm)	DYNJP9101
1	Reinforced Table Cover	50" x 90" (127 x 229 cm)	DYNJP2316
2	Leggings	29" x 43" (74 x 109 cm)	DYNJP2460
1	Utility Drape with Tape	15" x 26" (38 x 66 cm)	DYNJP2405
1	Hand Towel	13" x 26" (33 x 66 cm)	DYNJP2220
1	Paper Suture Bag		N/A



### Laparoscopy Drape

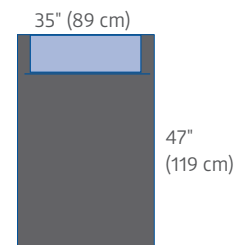
- Absorbent reinforcement, 29" x 14" (74 x 36 cm)
- Triangular abdominal fenestration with adhesive, 7.5" x 8" x 8" (19 x 20 x 20 cm)
- Rectangular fenestration with privacy flap, 3" x 6" (8 x 15 cm)
- Hook-and-loop line holders
- Available sterile DYNJP9101
- Included in packs DYNJP9100 and DYNJP9110S

## Laparoscopy Surgical Pack 2

<b>DYNJP9110S</b>	<b>Pkg.</b>
	8/cs

### Contents:

Qty.	Item Description	Size	Item No.
1	Laparoscopy Drape	102" x 97" x 35" (259 x 246 x 89 cm)	DYNJP9101
1	Underbuttocks Drape with Cuff	35" x 47" (89 x 119 cm)	DYNJP6001
1	Reinforced Table Cover	50" x 90" (127 x 229 cm)	DYNJP2316
1	Mayo Stand Cover	24" x 53" (61 x 165 cm)	DYNJP2500
1	Sirus Non-Reinforced Gown, with Towel in Outer Wrap	Large	DYNJP2001S
1	Sirus Non-Reinforced Gown	Large	DYNJP2001S
2	Leggings	29" x 43" (74 x 109 cm)	DYNJP2460
1	Utility Drape with Tape	15" x 26" (38 x 66 cm)	DYNJP2405
1	Hand Towel	13" x 26" (33 x 66 cm)	DYNJP2220



### Underbuttocks Drape with Cuff

- Cuff, 7" (18 cm)
- Available sterile DYNJP6001
- Included in pack DYNJP9110S

Drapes and gowns are not made with natural rubber latex or sterile unless indicated in the description.

Clear 
  Foam 
  Plastic 
  Reinforcement 
  Fabric 
  Side Plastic 
  Incise 
  Pouches 
  Mesh

# Lithotomy/Laparoscopy Packs

## LAVH Surgical Pack

<b>DYNJP9120</b>	<b>Pkg.</b>
	4/cs

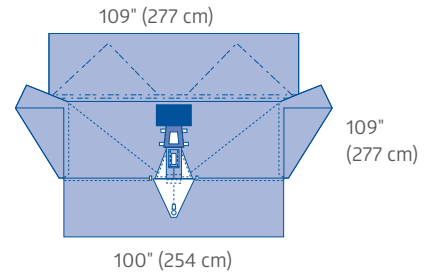
### Contents:

Qty.	Item Description	Size	Item No.
1	LAVH Drape	109" x 109" x 100" (277 x 277 x 254 cm)	DYNJP9103
1	Underbuttocks Drape with Cuff	35" x 47" (89 x 119 cm)	DYNJP6001
1	Reinforced Table Cover	50" x 90" (127 x 229 cm)	DYNJP2316
1	Mayo Stand Cover	24" x 53" (61 x 165 cm)	DYNJP2500
1	Eclipse Poly-Reinforced Gown, with Towel in Outer Wrap	Large	DYNJP2201
2	Eclipse Poly-Reinforced Gown	X-Large	DYNJP2202
2	Hand Towels	13" x 26" (33 x 66 cm)	DYNJP2220
1	Paper Suture Bag		N/A

<b>DYNJP9120A</b>	<b>Pkg.</b>
	4/cs

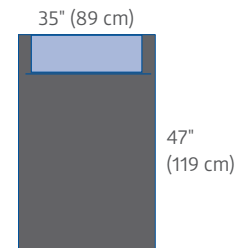
### Contents:

Qty.	Item Description	Size	Item No.
1	LAVH Drape	109" x 109" x 100" (277 x 277 x 254 cm)	DYNJP9103
1	Underbuttocks Drape with Cuff	35" x 47" (89 x 119 cm)	DYNJP6001
1	Reinforced Table Cover	50" x 90" (127 x 229 cm)	DYNJP2316
1	Mayo Stand Cover	24" x 53" (61 x 165 cm)	DYNJP2500
1	Aurora Poly-Reinforced Raglan Sleeve Gown with Towel in Outer Wrap	Large	DYNJP2807
2	Aurora Poly-Reinforced Raglan Sleeve Gown	X-Large	DYNJP2808
2	Hand Towels	13" x 26" (33 x 66 cm)	DYNJP2220
1	Paper Suture Bag		N/A



### LAVH Drape

- Absorbent reinforcement around abdominal fenestration, 12" x 16" (30 x 41 cm); around perineal fenestration, 12" x 13" (30 x 33 cm)
- Abdominal fenestration, 6.75" x 9" x 9" (18 x 23 x 23 cm)
- Perineal fenestration, 3" x 6" (8 x 15 cm)
- Fluid collection pouch with port and screen, 22" x 33.5" (56 x 85 cm)
- Instrument pad, 10" x 18" (25 x 46 cm)
- Attached leggings
- Four hook-and-loop line holders on drape plus two additional for custom placement
- Available sterile DYNJP9103
- Included in packs DYNJP9120 and DYNJP9120A



### Underbuttocks Drape with Cuff

- Cuff, 7" (18 cm)
- Available sterile DYNJP6001
- Included in packs DYNJP9120 and DYNJP9120A

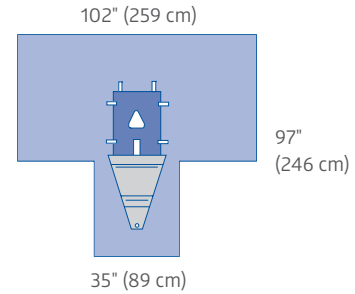
# Lithotomy/Laparoscopy Packs

## Laparoscopic Perineal Surgical Pack

<b>DYNJP9130</b>	<b>Pkg.</b>
	10/cs

### Contents:

Qty.	Item Description	Size	Item No.
1	Laparoscopic Perineal Drape with Pouch	102" x 97" x 35" (259 x 246 x 89 cm)	N/A
1	SMS Wrap	36" x 36" (91 x 91 cm)	N/A
2	Leggings	29" x 43" (74 x 109 cm)	DYNJP2460



### Laparoscopic Perineal Drape with Pouch

- Absorbent reinforcement, 29" x 20" (74 x 51 cm)
- Triangular abdominal fenestration with adhesive, 8" x 8.75" x 8.75" (20 x 22 x 22 cm)
- Perineal fenestration, 3" x 7" (8 x 18 cm) with adhesive and privacy flap
- Fluid-control pouch, 29" x 24" (74 x 61 cm), with screen and port
- Hook-and-loop line holders
- Not available sterile
- Included in pack DYNJP9130

Drapes and gowns are not made with natural rubber latex or sterile unless indicated in the description.

Clear
  Foam
  Plastic
  Reinforcement
  Fabric
  Side Plastic
  Incise
  Pouches
  Mesh

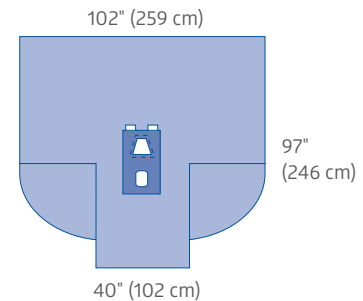
# Lithotomy/Laparoscopy Packs

## Laparoscopy/Pelviscopy Surgical Pack

<b>DYNJP9150A</b>	<b>Pkg.</b>
	6/cs

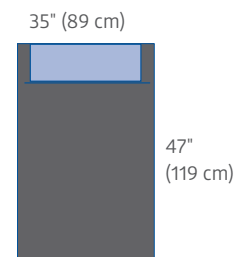
### Contents:

Qty.	Item Description	Size	Item No.
1	Laparoscopy Drape with Gussets	102" x 97" x 40" (259 x 246 x 102 cm)	DYNJP9104
1	Underbuttocks Drape with Cuff	35" x 47" (89 x 119 cm)	DYNJP6001
1	Reinforced Table Cover	50" x 90" (127 x 229 cm)	DYNJP2316
1	Mayo Stand Cover	24" x 53" (61 x 165 cm)	DYNJP2500
2	Utility Drapes with Tape	15" x 26" (38 x 66 cm)	DYNJP2405
2	Leggings	31" x 48" (79 x 122 cm)	DYNJP2460A
1	Paper Suture Bag		N/A



### Laparoscopy Drape with Gussets

- Absorbent reinforcement, 14" x 27.5" (36 x 70 cm)
- Trapezoidal abdominal fenestration with adhesive, 7" x 7" x 9" (18 x 18 x 23 cm)
- Perineal fenestration with privacy flap, 3" x 6" (8 x 15 cm)
- Hook-and-loop line holders
- Available sterile DYNJP9104
- Included in pack DYNJP9150A



### Underbuttocks Drape with Cuff

- Cuff, 7" (18 cm)
- Available sterile DYNJP6001
- Included in pack DYNJP9150A

Drapes and gowns are not made with natural rubber latex or sterile unless indicated in the description.

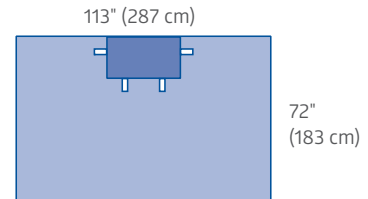
Clear
  Foam
  Plastic
  Reinforcement
  Fabric
  Side Plastic
  Incise
  Pouches
  Mesh

# OrthoMax/CVMax Drapes

## OrthoMax Bar Drape

- Absorbent reinforcement, 24" x 29" (61 x 74 cm)
- Anti-slip foam backing strips
- Hook-and-loop line holders

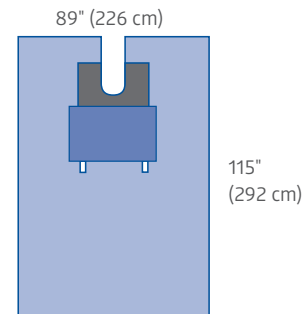
Item No.	Size	Non-Sterile Component	Pkg.
DYNJP4015	113" x 72" (287 x 183 cm)	SPT-4225K	6/cs



## OrthoMax Body Split Drape

- Absorbent reinforcement, 24" x 28" (61 x 71 cm)
- Plastic reinforcement, 21" x 13" (53 x 33 cm)
- Split with adhesive, 5" x 27" (13 x 69 cm)
- Anti-slip foam backing strips
- Hook-and-loop line holders

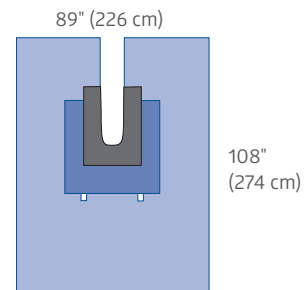
Item No.	Size	Non-Sterile Component	Pkg.
DYNJP8302	89" x 115" (226 x 292 cm)	SPT-2456K	6/cs



## OrthoMax U-Drape

- Absorbent reinforcement, 35" x 47" (89 x 119 cm)
- Plastic reinforcement, 12" x 20" (30 x 51 cm)
- Split with adhesive, 4" x 40" (10 x 102 cm)
- Anti-slip foam backing strips
- Hook-and-loop line holders

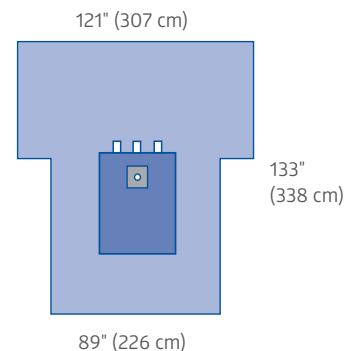
Item No.	Size	Non-Sterile Component	Pkg.
DYNJP8303	89" x 108" (226 x 108 cm)	SPT-2457K	6/cs



## OrthoMax Extremity Drape

- Absorbent reinforcement, 29" x 54" (74 x 137 cm)
- Circular elastic fenestration, 2.5" (6 cm)
- Anti-slip foam backing strips
- Hook-and-loop line holders

Item No.	Size	Non-Sterile Component	Pkg.
DYNJP8013	121" x 133" x 89" (307 x 338 x 226 cm)	SPT-2575K	6/cs



Drapes and gowns are not made with natural rubber latex or sterile unless indicated in the description.

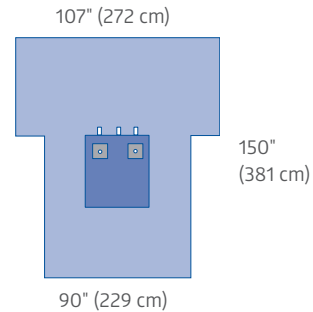
Clear
  Foam
  Plastic
  Reinforcement
  Fabric
  Side Plastic
  Incise
  Pouches
  Mesh

# OrthoMax/CVMax Drapes

## OrthoMax Bilateral Extremity T-Drape

- Absorbent reinforcement, 40" x 55" (102 x 140 cm)
- Dual elastic fenestrations, 2.5" (6 cm)
- Anti-slip foam backing strip
- Hook-and-loop line holders

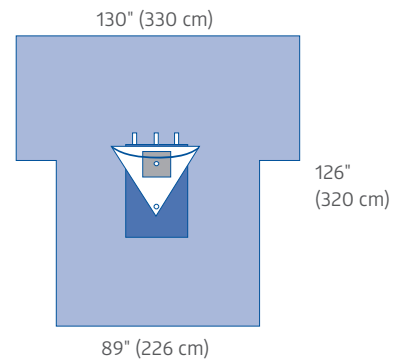
Item No.	Size	Non-Sterile Component	Pkg.
DYNJP8016	107" x 150" x 90" (272 x 381 x 229 cm)	SPT-8640K	8/cs



## OrthoMax Arthroscopy T-Drape with Pouch

- Poly-backed absorbent reinforcement, 35" x 47" (89 x 119 cm)
- Dual circular elastic fenestrations, 2.5" (6 cm)
- Attached fluid-control pouch with port, 39" x 30" (99 x 76 cm)
- Malleable wire former
- Anti-slip foam backing strips
- Hook-and-loop line holders

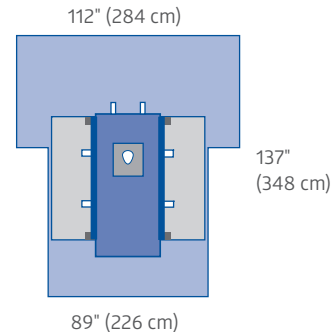
Item No.	Size	Non-Sterile Component	Pkg.
DYNJP8104	130" x 126" x 89" (330 x 320 x 226 cm)	SPT-2567K	10/cs



## OrthoMax Hip Drape with Pouches

- Absorbent reinforcement, 23" x 64" (58 x 163 cm)
- Pear-shaped elastic fenestration with adhesive strip, 6.5" x 8" (17 x 20 cm)
- Fluid-control pouches with patented elastic corners and hook-and-loop closures, 31" x 56" (79 x 142 cm) (U.S. Patent No. 7,343,919)
- Anti-slip foam backing strips
- Hook-and-loop line holders

Item No.	Size	Non-Sterile Component	Pkg.
DYNJP8211	112" x 137" x 89" (284 x 348 x 226 cm)	SPT-8295K	6/cs



Drapes and gowns are not made with natural rubber latex or sterile unless indicated in the description.

Clear
  Foam
  Plastic
  Reinforcement
  Fabric
  Side Plastic
  Incise
  Pouches
  Mesh

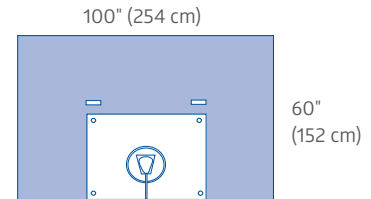


# OrthoMax/CVMax Drapes

## OrthoMax Shoulder Split Drape with Pouch

- Attached fluid collection pouch, 38" x 46" (97 x 117 cm)
- Pear shaped fenestration, 6" x 8.5" (15 x 22 cm) with adhesive and 12" split (30 cm)
- Anti-slip foam backing strip
- Hook-and-loop line holders

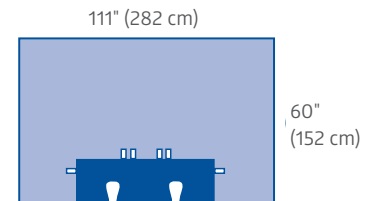
Item No.	Size	Non-Sterile Component	Pkg.
DYNJP8406	100 x 60" (254 x 152 cm)	SPT-8406K	5/cs



## OrthoMax Dual Split Shoulder Drape

- Absorbent reinforcement, 18" x 48" (46 x 122 cm)
- Dual splits with adhesive, 6" x 7.5" (15 x 19 cm)
- Hook-and-loop line holders

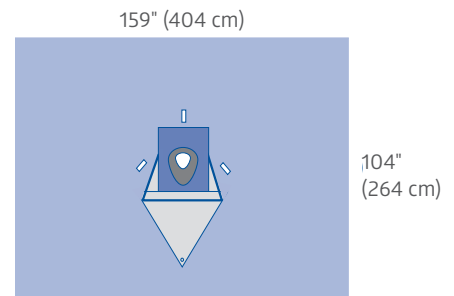
Item No.	Size	Non-Sterile Component	Pkg.
DYNJP8407	111" x 60" (282 x 152 cm)	SPT-8407K	8/cs



## OrthoMax Beach Chair Shoulder Drape

- Absorbent reinforcement, 18" x 28" (46 x 71 cm)
- Pear shaped elastic fenestration with adhesive, 5.5" (14 cm)
- Fluid collection pouch and malleable wire former with drain port, 35.5" x 37" (90 x 94 cm)
- Hook-and-loop line holders

Item No.	Size	Non-Sterile Component	Pkg.
DYNJP8422	159" x 104" (404 x 264 cm)	SPT-8422K	5/cs



Drapes and gowns are not made with natural rubber latex or sterile unless indicated in the description.

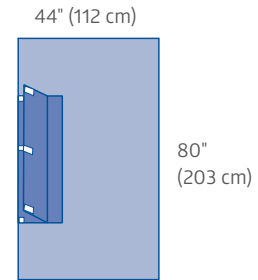
Clear
  Foam
  Plastic
  Reinforcement
  Fabric
  Side Plastic
  Incise
  Pouches
  Mesh

# OrthoMax/CVMax Drapes

## CVMax Side Drape

- Absorbent reinforcement, 13" x 62" (33 x 157 cm)
- Trough with hook-and-loop line closures, 8" x 62" (20 x 155 cm)
- Adhesive along reinforced edge

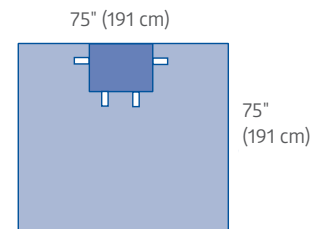
Item No.	Size	Non-Sterile Component	Pkg.
N/A	44" x 80" (112 x 203 cm)	SPT-4227K	N/A



## CVMax Bottom Drape

- Absorbent reinforcement, 25" x 29" (64 x 74 cm)
- Adhesive along reinforced edge
- Anti-slip foam backing strips
- Hook-and-loop line holders

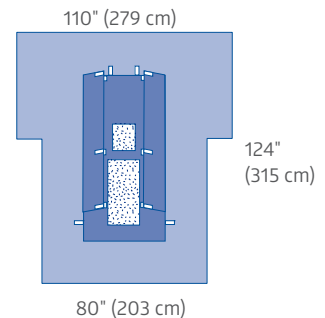
Item No.	Size	Non-Sterile Component	Pkg.
N/A	75" x 75" (191 x 191 cm)	SPT-4226K	N/A



## CVMax Cardiovascular Incise Drape

- Absorbent reinforcement, 40" x 83" (102 x 211 cm)
- Chest incise, 12" x 15" (30 x 38 cm)
- Leg incise, 22" x 37" (56 x 94 cm)
- Troughs with hook-and-loop closure, 8" x 62" (20 x 157 cm)
- Contoured armboard covers
- Anti-slip foam backing strips
- Hook-and-loop line holders

Item No.	Size	Non-Sterile Component	Pkg.
DYNJP4012	110" x 124" x 80" (279 x 315 x 203 cm)	SPT-4012K	6/cs



Drapes and gowns are not made with natural rubber latex or sterile unless indicated in the description.

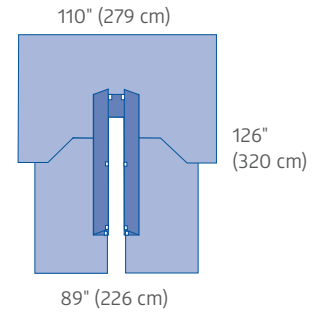
Clear
  Foam
  Plastic
  Reinforcement
  Fabric
  Side Plastic
  Incise
  Pouches
  Mesh

# OrthoMax/CVMax Drapes

## CVMax Split Drape

- Absorbent reinforcement with 8" wide troughs with hook-and-loop closures, 23" x 82" (58 x 208 cm)
- Split with adhesive, 6.5" x 86" (17 x 218 cm)
- Contoured armboard covers
- Anti-slip foam backing strips

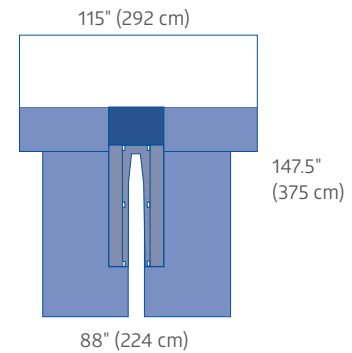
Item No.	Size	Non-Sterile Component	Pkg.
DYNJP4014	110" x 126" x 89" (279 x 320 x 226 cm)	SPT-4014K	6/cs



## CVMax Split Drape with Clear Anesthesia Screen

- Absorbent reinforcement with pockets and hook-and-loop closure, 10" x 66" (25 x 168 cm)
- Split with adhesive, 8" x 96" (20 x 244 cm)
- Clear anesthesia screen, 37.5" x 115" (95 x 292 cm)
- Foam instrument pad, 24" x 35" (61 x 89 cm)
- Contoured armboard covers
- Anti-slip foam backing strips

Item No.	Size	Non-Sterile Component	Pkg.
DYNJP4013	115" x 147.5" x 88" (292 x 375 x 224 cm)	SPT-4013K	6/cs



Drapes and gowns are not made with natural rubber latex or sterile unless indicated in the description.

Clear
  Foam
  Plastic
  Reinforcement
  Fabric
  Side Plastic
  Incise
  Pouches
  Mesh

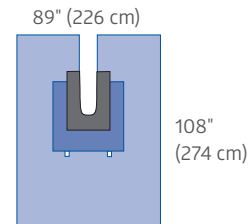
# OrthoMax/CVMax Packs

## OrthoMax Orthopedic Surgical Pack

<b>DYNJP8340</b>	<b>Pkg.</b>
	5/cs

### Contents:

Qty.	Item Description	Size	Item No.
1	OrthoMax U-Drape	89" x 108" (226 x 108 cm)	DYNJP8303
1	OrthoMax Bar Drape	113" x 72" (287 x 183 cm)	DYNJP4015
1	Film U-Drape with Adhesive	54" x 76" (137 x 193 cm)	DYNJP2499
1	Super Heavy Duty Table Cover	60" x 90" (152 X 229 cm)	DYNJP2314HD
1	Mayo Stand Cover	24" x 53" (61 x 165 cm)	DYNJP2500
1	Film Stockinette	12" x 48" (30 x 122 cm)	N/A
1	Paper Suture Bag		N/A



### OrthoMax U-Drape

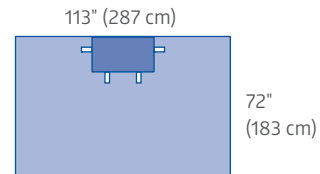
- Absorbent reinforcement, 35" x 47" (89 x 119 cm)
- Plastic reinforcement, 12" x 20" (30 x 51 cm)
- Split with adhesive, 4" x 40" (10 x 102 cm)
- Anti-slip foam backing strips
- Hook-and-loop line holders
- Available sterile DYNJP8303
- Included in pack DYNJP8340

## OrthoMax Extremity Surgical Pack

<b>DYNJP8060</b>	<b>Pkg.</b>
	5/cs

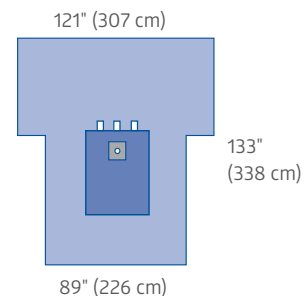
### Contents:

Qty.	Item Description	Size	Item No.
1	OrthoMax Extremity Drape	121" x 133" x 89" (307 x 338 x 226 cm)	DYNJP8013
1	Film U-Drape with Adhesive	54" x 76" (137 x 193 cm)	DYNJP2499
1	Super Heavy Duty Table Cover	60" x 90" (152 X 229 cm)	DYNJP2314HD
1	Mayo Stand Cover	24" x 53" (61 x 165 cm)	DYNJP2500
1	Prevention Plus Gowns	X-Long, X-Large	DYNJP2302P
1	Aurora Non-Reinforced Raglan Sleeve Gown, with Towel in Outer Wrap	X-Large	DYNJP2802
1	Prepping Pad, Non-Sterile	24" x 41" (61 x 104 cm)	DYNJP2215
1	Film Stockinette	12" x 48" (30 x 122 cm)	N/A
1	Paper Suture Bag		N/A



### OrthoMax Bar Drape

- Absorbent reinforcement, 24" x 29" (61 x 74 cm)
- Anti-slip foam backing strips
- Hook-and-loop line holders
- Available sterile DYNJP4015
- Included in pack DYNJP8340



### OrthoMax Extremity Drape

- Absorbent reinforcement, 29" x 54" (74 x 137 cm)
- Circular elastic fenestration, 2.5" (6 cm)
- Anti-slip foam backing strips
- Hook-and-loop line holders
- Available sterile DYNJP8013
- Included in pack DYNJP8060

Drapes and gowns are not made with natural rubber latex or sterile unless indicated in the description.

Clear 
  Foam 
  Plastic 
  Reinforcement 
  Fabric 
  Side Plastic 
  Incise 
  Pouches 
  Mesh

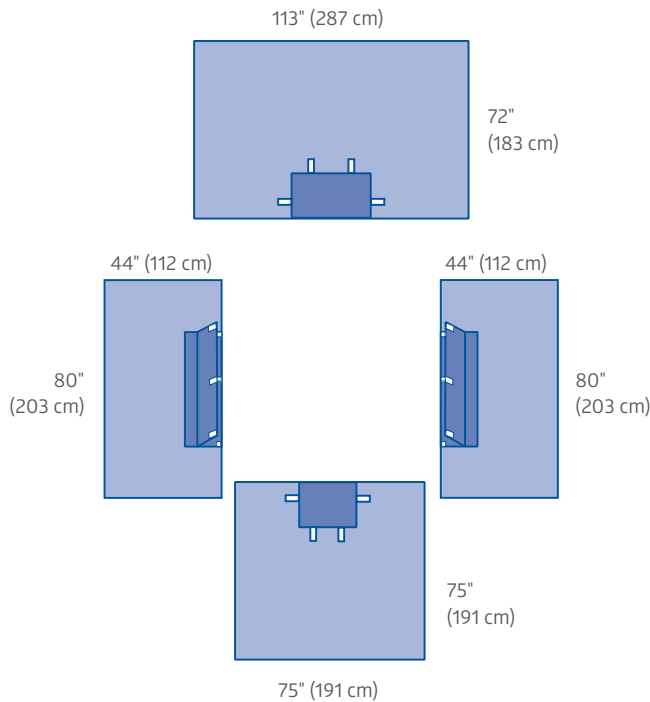
# OrthoMax/CVMax Packs

## Cardiovascular Max Surgical Universal Pack

<b>DYNJP4220</b>	<b>Pkg.</b>
	5/cs

### Contents:

Qty.	Item Description	Size	Item No.
1	OrthoMax Bar Drape	113" x 72" (287 x 183 cm)	DYNJP4015
2	CVMax Side Drape	44" x 80" (112 x 203 cm)	N/A
1	CVMax Bottom Drape	75" x 75" (191 x 191 cm)	N/A
1	SMS Wrap	40 x 40" (102 x 102 cm)	N/A



### Bar, Side and Bottom Drapes

- Absorbent reinforcement:
  - Bar drape, 24" x 29" (61 x 74 cm)
  - Bottom drape, 25" x 29" (64 x 74 cm)
  - Side drape, 13" x 62" (33 x 157 cm)
- Bar and bottom drapes feature anti-slip foam backing strips and hook-and-loop line holders
- Side drape features trough with hook-and-loop closures, 8" x 62" (20 x 155 cm)
- Adhesive along reinforced edge
- Bar drape available sterile DYNJP4015
- Sterile side and bottom drapes not available
- Included in pack DYNJP4220

Drapes and gowns are not made with natural rubber latex or sterile unless indicated in the description.

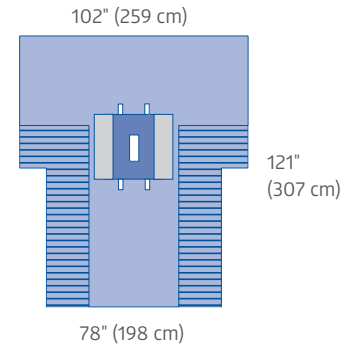
Clear
  Foam
  Plastic
  Reinforcement
  Fabric
  Side Plastic
  Incise
  Pouches
  Mesh

# UltraGard Drapes

## UltraGard Laparotomy T-Drape with Pouches

- Absorbent reinforcement, 14" x 38" (36 x 97 cm)
- Fenestration with adhesive, 4" x 12" (10 x 30 cm)
- Fluid collection pouches, 38" x 7.5" (97 x 19 cm)
- Contoured armboard covers
- Hook-and-loop line holders

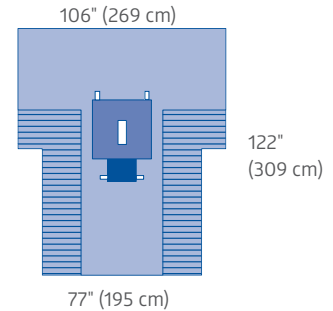
Item No.	Size	Non-Sterile Component	Pkg.
DYNJP3008UG	102" x 121" x 78" (259 x 307 x 198 cm)	SPT-3130UG	12/cs



## UltraGard Laparotomy T-Drape with Pad

- Absorbent reinforcement, 29" x 29" (74 x 74 cm)
- Fenestration with adhesive, 4" x 12" (10 x 30 cm)
- Instrument pad
- Contoured armboard covers
- Hook-and-loop line holders

Item No.	Size	Non-Sterile Component	Pkg.
DYNJP3003UG	106" x 122" x 77" (269 x 309 x 195 cm)	SPT-3110UG	12/cs



Drapes and gowns are not made with natural rubber latex or sterile unless indicated in the description.

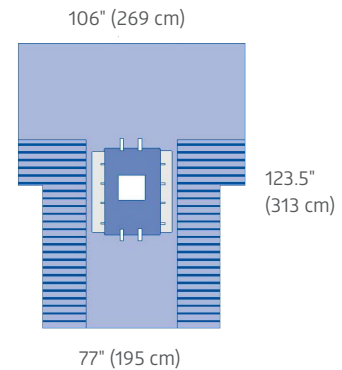
Clear
  Foam
  Plastic
  Reinforcement
  Fabric
  Side Plastic
  Incise
  Pouches
  Mesh

# UltraGard Drapes

## UltraGard Laparoscopic Cholecystectomy Drape with Troughs

- Open-ended poly-troughs, two 11" x 30" (28 x 76 cm)
- Fenestration with adhesive, 10" x 11" (25 x 28 cm)
- Absorbent reinforcement, 16" x 38" (41 x 97 cm)
- Contoured armboard covers
- Four hook-and-loop line holders

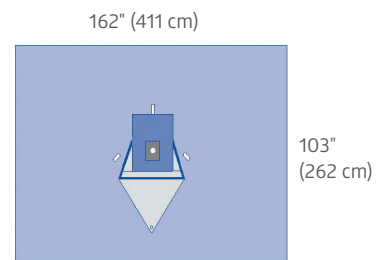
Item No.	Size	Non-Sterile Component	Pkg.
DYNJP3102UG	106" x 123.5" x 77" (269 x 312 x 195 cm)	SPT-3820UG	12/cs



## UltraGard Beach Chair Shoulder Drape

- Absorbent reinforcement, 18" x 28" (46 x 71 cm)
- Circular elastic fenestration with adhesive, 3.5" (9 cm)
- Attached fluid-collection pouch with port, 30" x 19" (76 x 48 cm)
- Malleable wire former
- Hook-and-loop line holders

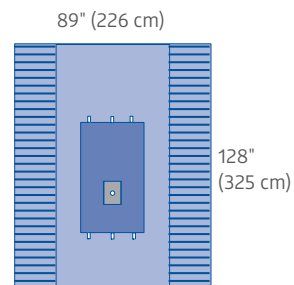
Item No.	Size	Non-Sterile Component	Pkg.
DYNJP8412UG	162" x 103" (411 x 262 cm)	SPT-8404UG	5/cs



## UltraGard Standard Extremity Drape

- Absorbent reinforcement, 23" x 55" (58 x 140 cm)
- Circular elastic fenestration, 2.5" (6 cm)
- Fenestration is positioned from longer end, 77" (196 cm)
- Hook-and-loop line holders

Item No.	Size	Non-Sterile Component	Pkg.
DYNJP8002UG	89" x 128" (226 x 325 cm)	SPT-2550UG	12/cs



Drapes and gowns are not made with natural rubber latex or sterile unless indicated in the description.

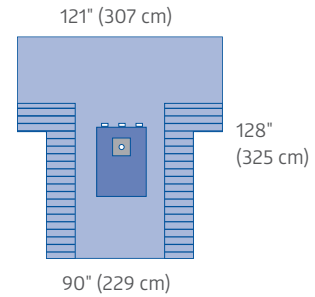
Clear
  Foam
  Plastic
  Reinforcement
  Fabric
  Side Plastic
  Incise
  Pouches
  Mesh

# UltraGard Drapes

## UltraGard Extremity T-Drape

- Absorbent reinforcement, 29" x 44" (74 x 112 cm)
- Circular elastic fenestration, 2.5" (6 cm)
- Contoured armboard covers
- Hook-and-loop line holders

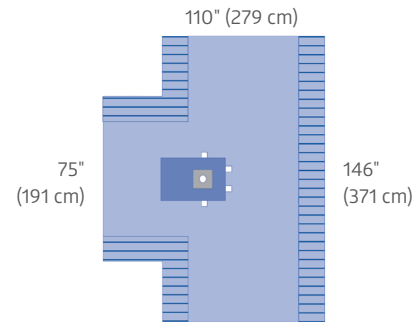
Item No.	Size	Non-Sterile Component	Pkg.
DYNJP8003UG	121" x 128" x 90" (307 x 325 x 229 cm)	SPT-2555UG	6/cs



## UltraGard Hand Drape

- Absorbent reinforcement, 42" x 18" (107 x 46 cm)
- Circular elastic fenestration, 1.5" (3 cm)
- Contoured hand table extension
- Hook-and-loop line holders

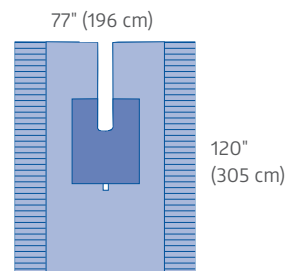
Item No.	Size	Non-Sterile Component	Pkg.
DYNJP8005UG	110 x 146" x 75" (279 x 371 x 191 cm)	SPT-8610UG	18/cs



## UltraGard Split Drape with Adhesive

- Absorbent reinforcement, 30" x 41" (76 x 104 cm)
- Split with adhesive, 6.5" x 46" (16 x 116 cm)
- Hook-and-loop line holder

Item No.	Size	Non-Sterile Component	Pkg.
DYNJP8304UG	77" x 120" (196 x 305 cm)	SPT-2458UG	10/cs



Drapes and gowns are not made with natural rubber latex or sterile unless indicated in the description.

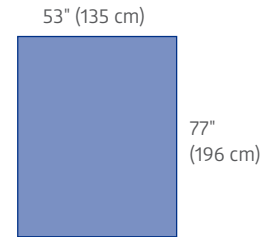
Clear
  Foam
  Plastic
  Reinforcement
  Fabric
  Side Plastic
  Incise
  Pouches
  Mesh



# UltraGard Drapes

## UltraGard Three-Quarter Sheet

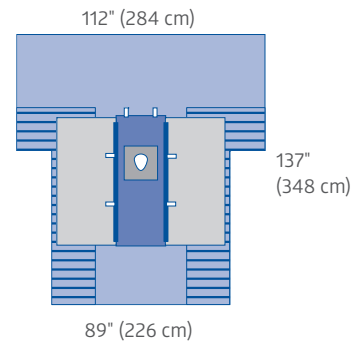
Item No.	Size	Non-Sterile Component	Pkg.
DYNJP2414UG	53" x 77" (135 x 196 cm)	14184UG	20/cs



## UltraGard Hip Drape with Pouches

- Absorbent reinforcement, 22.5" x 56" (57 x 142 cm)
- Elastic fenestration with adhesive strip, 6.5" x 8" (17 x 20 cm)
- Contoured armboard covers
- Fluid-control pouches, 32" x 56" (81 x 142 cm)
- Hook-and-loop line holders

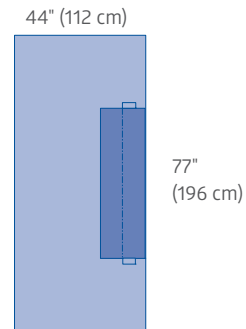
Item No.	Size	Non-Sterile Component	Pkg.
DYNJP8201UG	112" x 137" x 89" (284 x 137 x 226 cm)	SPT-8290UG	5/cs



## UltraGard Side Drape

- Absorbent reinforcement, 15" x 40" (38 x 102 cm)
- Adhesive along reinforced edge

Item No.	Size	Non-Sterile Component	Pkg.
N/A	44" x 77" (112 x 196 cm)	SPT-4207UG	N/A



Drapes and gowns are not made with natural rubber latex or sterile unless indicated in the description.

Clear
  Foam
  Plastic
  Reinforcement
  Fabric
  Side Plastic
  Incise
  Pouches
  Mesh

# UltraGard Packs

## UltraGard Universal Pack I

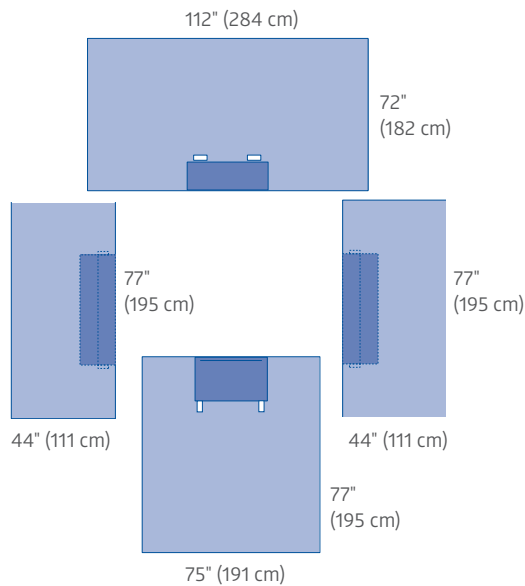
**DYNJP1050UG**

**Pkg.**

5/cs

**Contents:**

Qty.	Item Description	Size	Item No.
1	Top Drape with Adhesive	112" x 72" (284 x 182 cm)	N/A
2	Side Drape with Adhesive	44" x 77" (111 x 195 cm)	N/A
1	Bottom Drape with Adhesive	77" x 75" (195x 191 cm)	N/A
1	Reinforced Table Cover	44" x 90" (111 x 229 cm)	DYNJP2311
1	Mayo Stand Cover	24" x 53" (61 x 165 cm)	DYNJP2500
1	Paper Suture Bag		N/A



**Universal Pack**

- Absorbent reinforcement:  
 Top drape, 23" x 19" (58 x 48 cm)  
 Bottom drape, 24" x 20" (61 x 51 cm)  
 Side drape, 40" x 15" (102 x 38 cm)
- Adhesive along reinforced edge
- Hook-and-loop line holders on top and bottom drapes
- Side drapes have fabric troughs, 4" x 40" (10 x 102 cm)
- Included in pack DYNJP1050UG

Drapes and gowns are not made with natural rubber latex or sterile unless indicated in the description.

Clear
  Foam
  Plastic
  Reinforcement
  Fabric
  Side Plastic
  Incise
  Pouches
  Mesh

# Invisishield® Drapes

Our complete selection of patient and equipment drapes offers configurations for all major procedures and applications with features to help your team perform its best.

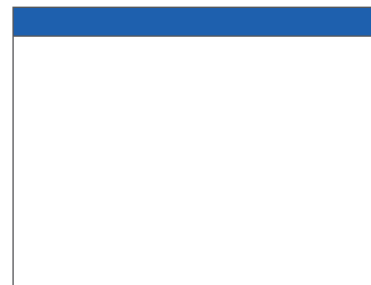
- **Transparent**—Easily view the area around incision sites.
- **Impervious**—Made of tear-resistant polyethylene and polyurethane to provide superb fluid protection.
- **Drapeable**—Fabricated for the right amount of malleability and softness for outstanding drapeability.
- **Quality construction**—Manufacturing process uses both machine construction for consistency and efficiency, and hand construction for precision.
- **Innovative features**—Examples include: fluid pouches with convenient tabs for easy removal easy; and capped, closeable ports that improve fluid control and reduce setup times.

<b>InvisiShield Drapes</b>	
General Accessories . . . . .	132–134
Ortho Drapes . . . . .	135–136
Ophthalmic Drapes . . . . .	137–139
Other Drapes . . . . .	140
Incise Drapes . . . . .	141
C-Arm Drapes . . . . .	142–143
Equipment Drapes . . . . .	144–145
Band Bags . . . . .	146

# General Accessories

## Invisishield Towel Drapes

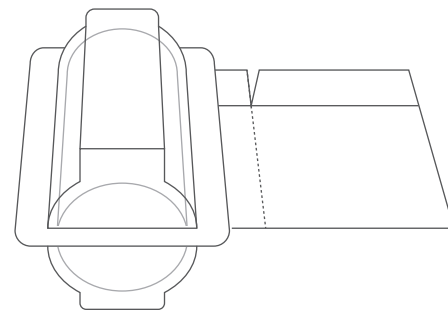
- Clear, impervious and drapeable—helping to provide easy viewing of patients and equipment
- Strong adhesive with no residue
- Nonlinting, tear-resistant poly-release liner is easy to peel off
- Strong, drapeable, low-glare matte finish
- Reinforced adhesive section reduces the chance of wrinkling



Item No.	Size	Pkg.
DYNJSD1000	Small 12" x 18"	40/cs
DYNJSD1010	Large 18" x 24"	40/cs

## Invisishield Towel Drapes on a Roll

- Clear, impervious and drapeable—helping to provide easy viewing of patients and equipment
- Nonlinting, tear-resistant poly-release liner is easy to peel
- Strong, drapeable, low-glare matte finish
- Reinforced adhesive section reduces the chance of wrinkling
- Used for prepping, tourniquet and instrument cover, squaring off, isolating sterile from non-sterile areas, and fluid barrier



Item No.	Size	Pkg.
DYNJSD1000RL	Small 12" x 18"	4/cs
DYNJSD1010RL	Large 18" x 24"	4/cs

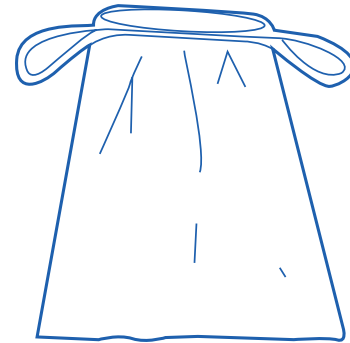
Poly Film 
  Matte Film 
  Adhesive

# General Accessories

## Invisishield Isolation Bags

- Bags have a soft, strong, clear film with seamless bottom
- Cotton draw strings for ease of closure
- Cuffed opening to improve sterile delivery
- Use to isolate foot, hands, bowel and organs

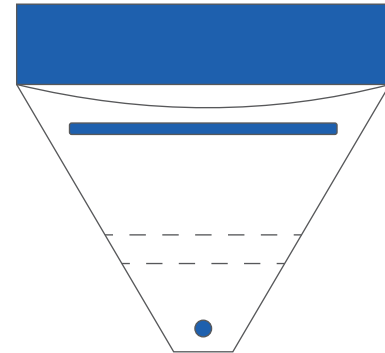
Item No.	Size	Pkg.
DYNJSD1003	20" x 20"	10/bx



## Invisishield Fluid Surgical Pouches with Drainage Ports

- Pouches feature wide adhesive area and strong adhesive with no residue
- Nonlinting, tear-resistant, waxy paper release liner
- Moldable strip enhances pouch performance
- Micro screen provides improved filtering system, and suction port with cap offers improved fluid control
- Use for CV, orthopedic, neurologic, urologic and general procedures

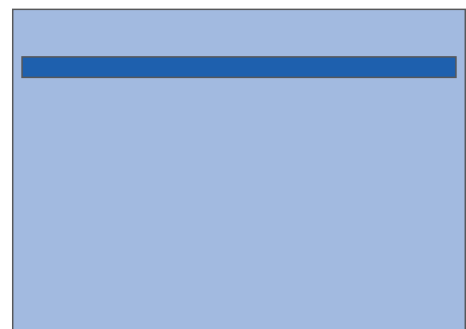
Item No.	Size	Pkg.
DYNJSD1016	20" x 20" Adhesive area: 20" x 6"	40/cs



## Surgical Instrument/Equipment Drape

- Invisishield instrument drape has a strong adhesive with no residue
- Non-linting, tear-resistant, waxy paper release liner
- Soft, strong, clear film for visibility
- Use as keyboard cover, monitor cover, instrument cover, and general

Item No.	Size	Pkg.
DYNJSD2158	24" x 18"	10/bx



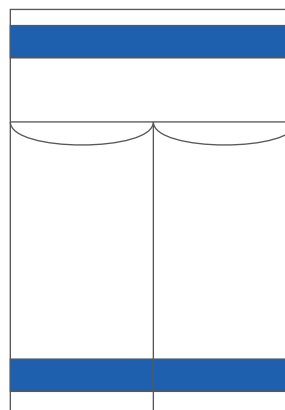
Poly Film  Matte Film  Adhesive

# General Accessories

## Surgical Instrument Pouches

- Heavy, low-glare, matte-finish film instrument pouches with 2 compartments for cauteries or catheters.
- New, high-tack, aggressive adhesive for better adhesion to linen or nonwoven materials
- Use for CV, orthopedic and neurologic procedures

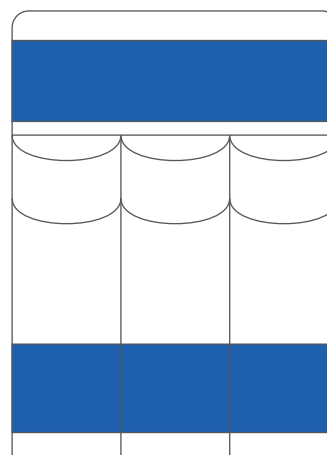
Item No.	Size	Pkg.
DYNJSD1018	6.75" x 11.5" Two adhesive areas: 6.75" x 1.5" each	40/cs



## Long Instrument Pouches

- Invisishield long instrument pouches feature three long compartments for cauteries or catheters
- New high-tack, aggressive adhesive for better adhesion to linen or nonwoven materials
- Heavy, low-glare matte-finish film
- Use for CV, orthopedic and neurologic procedures

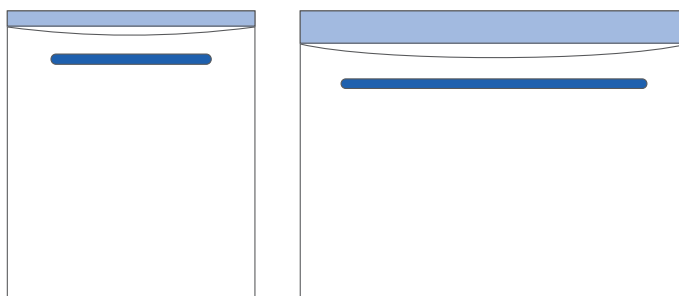
Item No.	Size	Pkg.
DYNJSD1018L	10" x 18" Two adhesive areas: 10" x 2" each	40/cs



## Invisishield Irrigation Pouch

- Invisishield fluid pouch has strong adhesive with no residue.
- Non-linting, tear-resistant, waxy paper release liner.
- Moldable strip to enhance pouch performance.
- Use for EENT and general procedures.

Item No.	Size	Pkg.
DYNJSD2021	8.5" x 11" Adhesive area: 8.5" x 1"	10/bx
DYNJSD2114	12" x 11" Adhesive area: 12" x 1"	10/bx

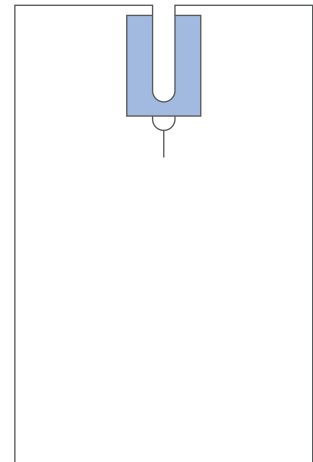
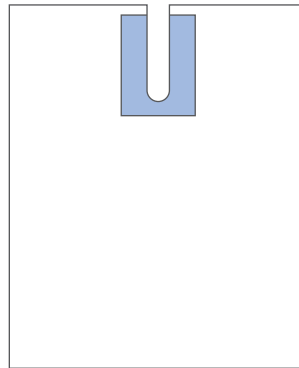


Poly Film 
  Matte Film 
  Adhesive

# Orthopedic Drapes

## Invisishield PolySurgical U-Drape

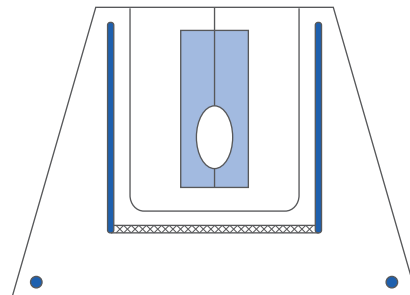
- Invisishield Poly U Drapes have a "U" fenestration with wide adhesive area
- Advanced adhesive provides excellent adhesion with no residue
- Strong, drapeable, low-glare matte-finish film
- Split, waxy paper liner for ease of application
- Use for prepping, and procedures: arthroscopies, hip, knee, shoulder, back, cranial, isolation and applications



Item No.	Size	Pkg.
DYNJSD1015	48" x 52"	40/cs
DYNJSD1019	48" x 71"	10/bx

## Invisishield Shoulder Surgical Pouch

- Invisishield shoulder pouch features an oval aperture with slit and adhesive areas
- 2 moldable strips and 1 foam strip enhance pouch performance
- Also includes strong adhesive that does not leave a residue; heavy, low-glare matte-finish film for additional strength; and 2 suction ports with caps for improved fluid control
- Ideal for shoulder arthroscopy and implant applications



Item No.	Size	Pkg.
DYNJSD1067	36" x 29" Adhesive: 10" x 19" Aperture: 7.5" x 10"	24/cs

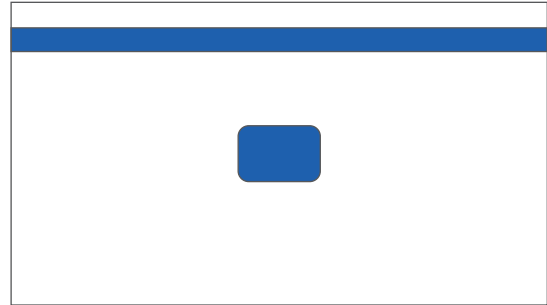
Poly Film 
  Matte Film 
  Adhesive

# Orthopedic Drapes

## Invisishield Isolation Incise Surgical Drape

- Has a less aggressive adhesive strip for easy removal
- Aggressive incise adhesive with no residue
- Clear, strong poly film
- Use for hip pinning

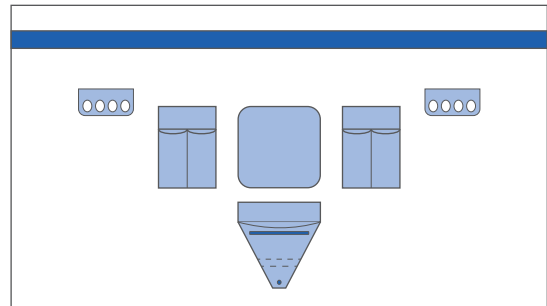
Item No.	Size	Pkg.
DYNJSD1014	125" x 84" Adhesive area: 19" x 10" Adhesive strip: 125" x 0.5"	5/bx



## Invisishield Patient Isolation Surgical Drapes with Pouches

- Strong incise adhesive leaves no residue
- Clear, strong poly film
- Two cord holders and instrument pouches for better organization
- Large pouch with micro screen, suction port and cap for improved fluid control
- Use for hip pinning, nephroscopies and biliaries

Item No.	Size	Pkg.
DYNJSD1017	Incise: 125" x 84" Adhesive area: 19" x 10" Adhesive strip: 125" x 0.5" Pouch: 20" x 20"	15/cs
DYNJSD1017W	Wide: 125" x 100" Adhesive area: 33.5" x 11" Adhesive strip: 125" x 0.5" Pouch: 27.5" x 37"	15/cs



Poly Film 
  Matte Film 
  Adhesive

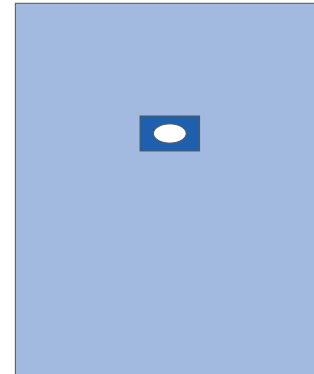
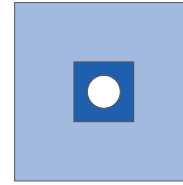


# Ophthalmic Drapes

## Invisishield Aperture Surgical Drape

- Circular aperture with adhesive area
- Nonlinting, tear-resistant, waxy paper release liner
- Thin, soft, drapeable, low-glare matte-finish film
- Easy-peel liner means less force is needed to separate it from the adhesive section
- Use for cataract, corneal, refractive, lid/plastic and minor procedures

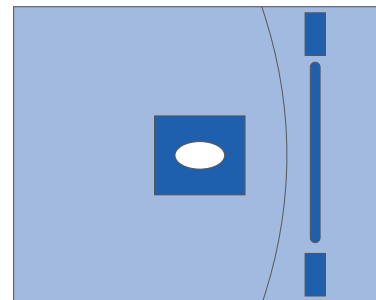
Item No.	Size	Pkg.
DYNJSD1020	16" x 16" Hole: 2.5"	40/cs
DYNJSD1030	33" x 51" Hole: 3.2" x 2"	40/cs



## Invisishield Aperture Surgical Drape with Pouch

- Invisishield aperture drape with pouch has an oval aperture with adhesive optimized for skin
- Non-linting, tear-resistant, waxy paper release liner
- Two adhesive tabs for additional support
- Moldable strip for additional fluid control
- Soft, drapeable, low-glare matte-finish film
- Use for cataract, vitreoretinal and corneal procedures

Item No.	Size	Pkg.
DYNJSD1024	19" x 16" Aperture: 2.4" x 1.4" Adhesive: 5" x 4" Adhesive tabs: 2" x 2"	40/cs



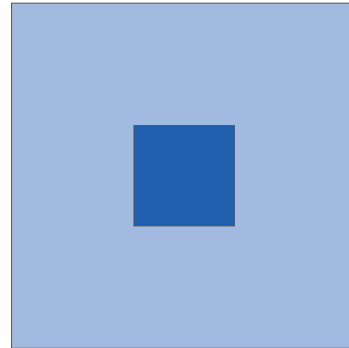
Poly Film 
  Matte Film 
  Adhesive

# Ophthalmic Drapes

## Invisishield Incise Surgical Drape with Adhesive

- Invisishield incise drape with adhesive has a thin, conformable, low-glare matte-finish film
- Strong adhesive with no residue
- Use for cataract, vitreoretinal, corneal, lid/plastic and minor procedures

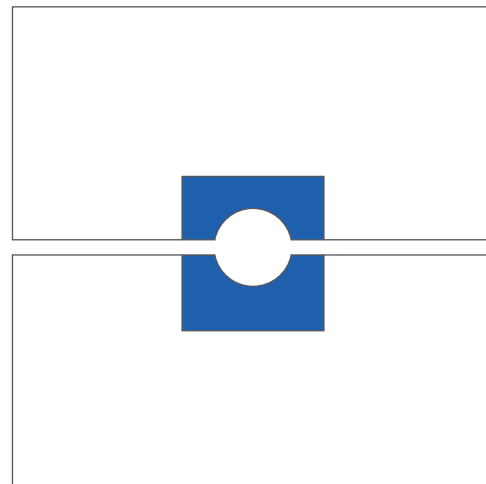
Item No.	Size	Pkg.
DYNJSD1021	6.5" x 7.5" Adhesive: 4" x 7.5"	40/cs



## Invisishield Refractive Surgical Drape

- Invisishield™ Refractive Drapes have a splittable aperture for easier retraction of eye lid and lashes
- Non-linting, tear-resistant, waxy paper release liner
- Thin, soft, drapeable, low-glare matte-finish film
- Use for lasik, refractive, corneal, lid/plastic procedures

Item No.	Size	Pkg.
DYNJSD1022	16" x 11" Aperture: 1.5" x 1.75" Adhesive: 3" x 4"	10/bx



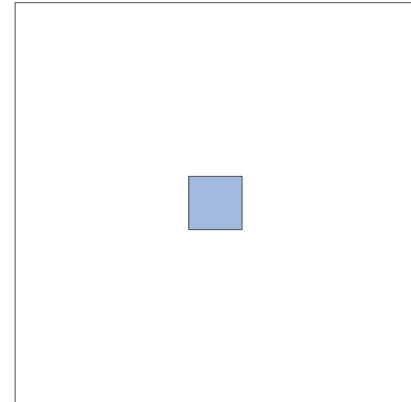
Poly Film 
  Matte Film 
  Adhesive

# Ophthalmic Drapes

## Invisishield Ophthalmic Incise Surgical Drape

- Has an incise adhesive area
- Non-linting, tear-resistant, waxy paper release liner
- Thin, comfortable, low-glare matte-finish film
- Use for cataract, vitreoretinal and corneal procedures

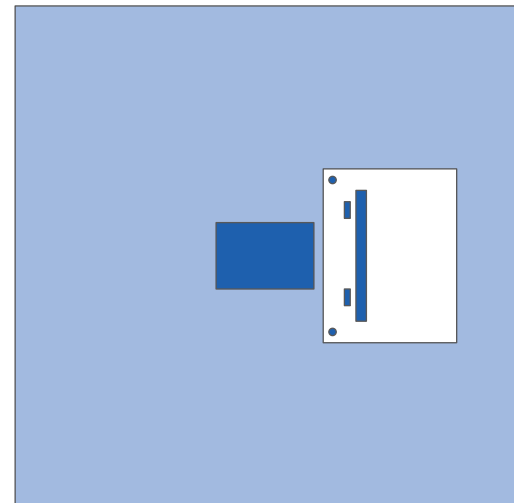
Item No.	Size	Pkg.
DYNJSD1060	48" x 51" Adhesive: 5" x 4.5"	40/cs



## Invisishield Ophthalmic Incise Drapes with Fluid Pouch

- Adhesive incise area with waxy paper liners that resist tearing and do not produce lint
- Matte finish film for low glare
- Soft and drapeable

Item No.	Size	Pkg.
DYNJSD1061	48" x 51" Pouch: 12" x 11" Adhesive: 5" x 4.5"	10/bx



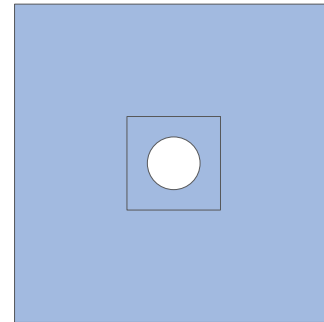
Poly Film 
  Matte Film 
  Adhesive

# Other Drapes

## Minor Procedure Surgical Drape with Circular Aperture

- Nonwoven bilaminate drape with 2.5" circular aperture and adhesive around the fenestration

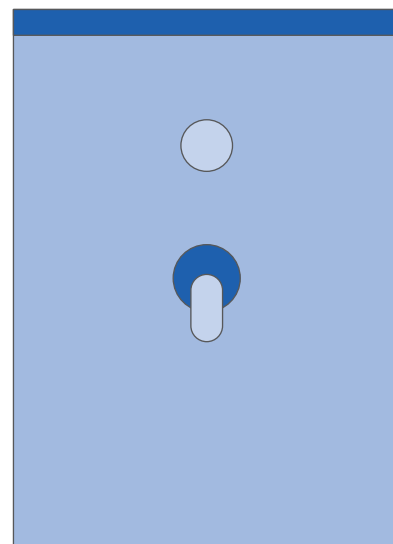
Item No.	Size	Pkg.
DYNJSD1092	24" x 26"	25/bx



## Invisishield Urological Surgical Drape

- Has a strong adhesive with no residue
- Non-latex finger cot
- Strong, low-glare matte-finish film
- Non-linting, tear-resistant, waxy paper release liner
- Use for TUR, urologic and gynecologic procedures

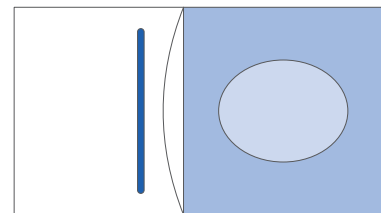
Item No.	Size	Pkg.
DYNJSD1071	24" x 36" Adhesive: 24" x 2" Finger cot adhesive: 4" outside dimension, 1.25" outside dimension	10/cs



## Invisishield Aperture Surgical Pouches

- Have an oval aperture with large adhesive area
- Strong adhesive with no residue
- Moldable strip for additional fluid control
- Heavy, low-glare matte-finish film
- Use for vaginal and ophthalmic procedures

Item No.	Size	Pkg.
DYNJSD1072	18" x 9" Adhesive: 12" x 9" Aperture: 4.5" x 3.75"	10/bx



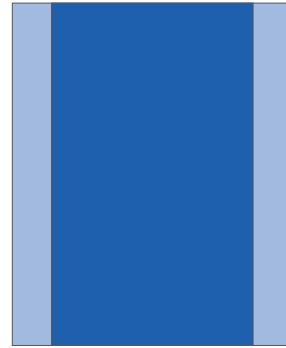
Poly Film 
  Matte Film 
  Adhesive

# Incise Drapes

## Invisishield Incise Surgical Drape with Adhesive

- Has a thin, conformable, low-glare matte-finish film
- Strong adhesive with no residue
- Use for cataract, vitreoretinal, corneal, lid/plastic and minor procedures

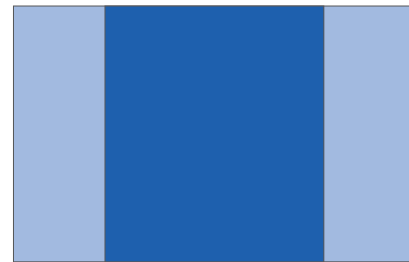
Item No.	Size	Pkg.
DYNJSD1035	6.5" x 7.5" Adhesive: 4" x 7.5"	40/cs



## Invisishield Neurologic/Orthopedic Incise Surgical Drape

- Has a thin, conformable, low-glare matte-finish film
- Strong adhesive with no residue
- Use for neurologic, orthopedic, back, CV and general procedures

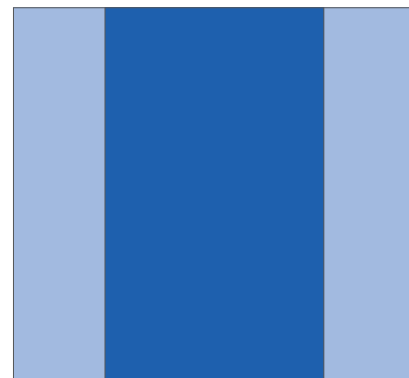
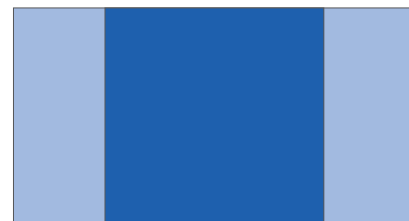
Item No.	Size	Pkg.
DYNJSD1040	24" x 14" Adhesive: 14" x 14"	40/cs



## Invisishield Incise Surgical Drapes

- Incise drape features thin, conformable, low-glare matte-finish film for neurologic, orthopedic, back, CV and general procedures
- Strong adhesive with no residue

Item No.	Size	Pkg.
DYNJSD1050	36" x 17.5" Adhesive: 23.5" x 17.5"	40/cs
DYNJSD1051	36" x 33" Adhesive: 23.5" x 33"	40/cs



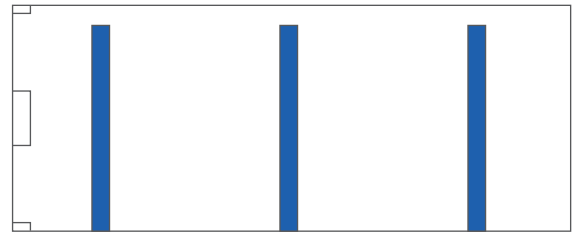
Poly Film
  Matte Film
  Adhesive

# C-Arm Drapes

## Full-Size C-Arm Surgical Drapes

- Drapes have adhesive poly straps for securement
- Clear, drapeable poly film

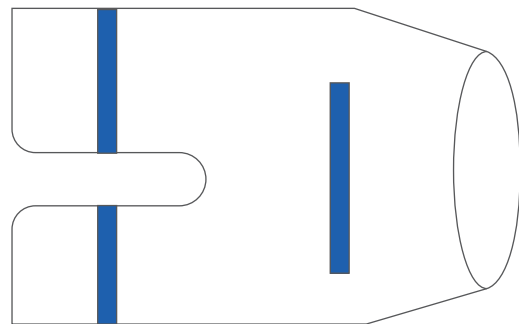
Item No.	Size	Pkg.
DYNJE4400XLR	41" x 120" (Two straps)	20/cs
DYNJE4400R	41" x 74" (Two straps)	20/cs
DYNJE4400	41" x 74" (Three straps)	20/cs



## Invisishield Mini C-Arm Surgical Drapes

- Drapes are held in place with an elastic band on the back
- Three adhesive poly straps for additional securement
- Clear, drapeable poly film
- Fits Fluoroscanner and OEC6600/6800 mini C-arm models

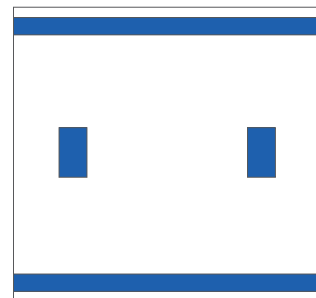
Item No.	Size	Pkg.
DYNJE4420	54" x 85"	20/cs
DYNJE4410	54" x 63"	20/cs



## Fluoroscope Surgical Equipment Drapes

- Two adhesive strips for attachment and two adhesive tabs for proper fit
- Clear, drapable poly film

Item No.	Size	Pkg.
DYNJSD1012	36" x 44"	10/cs



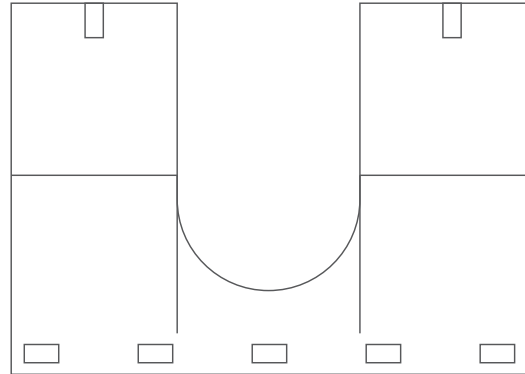
Poly Film 
  Matte Film 
  Adhesive

# C-Arm Drapes

## Invisishield 1-Piece Contoured C-Arm Drapes

- Drape is designed to completely cover a non-sterile c-arm in a sterile field during surgical procedures
- Clear, drapeable poly film
- Four adhesive poly straps secure the drape in place
- Large, single piece construction

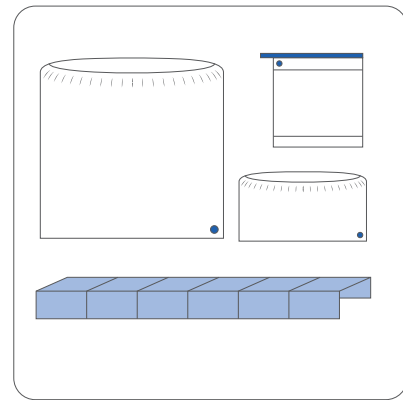
Item No.	Size	Pkg.
DYNJE4430	60" x 105"	20/cs



## Full Size C-Arm Surgical Kit

- Kit has a clear, drapeable poly film
- Non-latex bands

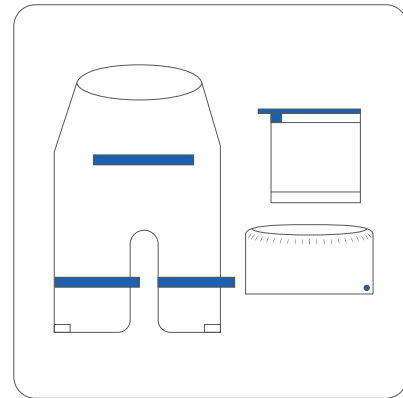
Item No.	Size	Pkg.
DYNJE4500	Intensifier drape: 36" x 36" C-Arm drape: 16" x 86" Footswitch drape: 18" x 16" Band bag: 28" x 12"	20/cs



## Invisishield Mini C-Arm Kits

- Elastic band securement on the back-side
- Three adhesive poly straps for additional securement
- Clear, drapeable poly film
- Fits Fluoroscanner and OEC6600/6800 mini C-arm models

Item No.	Size	Pkg.
DYNJE4510	Mini C-Arm Drape: 54" x 63" Footswitch drape: 18" x 16" Band bag: 28" x 12"	20/cs
DYNJE4520	Mini C-Arm Drape: 54" x 85" Footswitch drape: 18" x 16" Band bag: 28" x 12"	20/cs



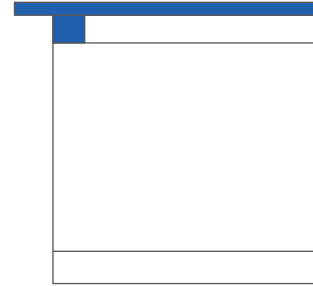
Poly Film
  Matte Film
  Adhesive

# Equipment Drapes

## Non-Sterile Foot Switch Surgical Equipment Drape

- Drapes feature a clear, drapeable poly film
- One adhesive strip for closure
- Non-sterile

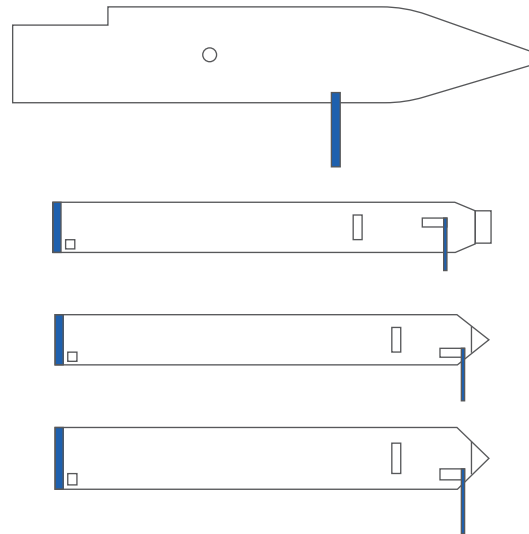
Item No.	Size	Pkg.
DYNJE5700	14" x 30"	50/cs



## Sterile Robotic Arm Drapes

- Invisishield camera and arm drape has an adhesive poly strap that holds it in place
- Adhesive strip at base for additional securement
- Clear, drapeable poly film

Item No.	Size	Pkg.
DYNJE4350	Robotic Arm Drape, 15" x 70"	25/cs
DYNJE4200	Robotic Laser Arm Drape, 7" x 96"	25/cs
DYNJE4250	Robotic Video Camera Drape, 5" x 96"	25/cs
DYNJE4300	Robotic Laser Arm Drape, 9" x 96"	25/cs



## Surgical Equipment Probe Covers

- Ultrasound gel for transducer
- 2 elastic bands for securement
- High-quality polyurethane film is soft and drapable to conform against the transducer
- Smooth finish for easy application and glide
- Slight matte sheen helps prevent glare

Item No.	Size	Pkg.
DYNJE5900	4" x 48"	20/cs
DYNJE5910	6" x 24"	20/cs
DYNJE5920	6" x 48"	20/cs
DYNJE5930	6" x 96"	20/cs
DYNJE5940	5" x 48"	20/cs



□ Poly Film ■ Matte Film ■ Adhesive

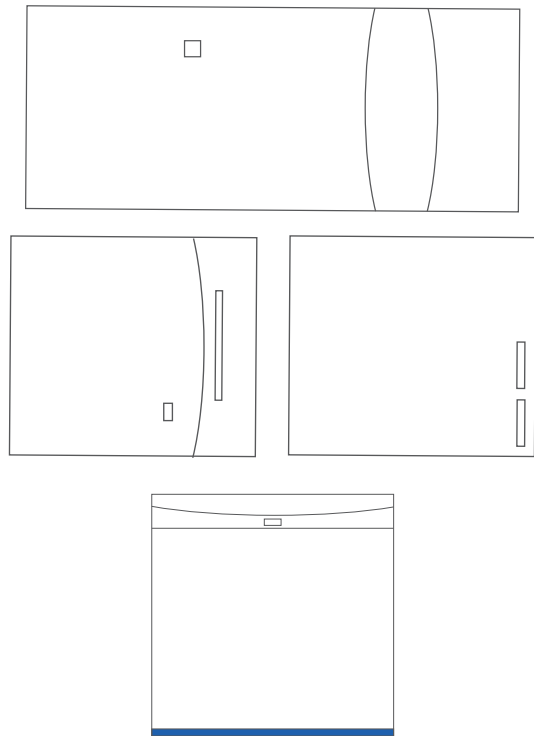


# Equipment Drapes

## Sterile X-Ray Cassette Covers

- Clear, drapeable poly film
- Single-use to reduce cross-contamination

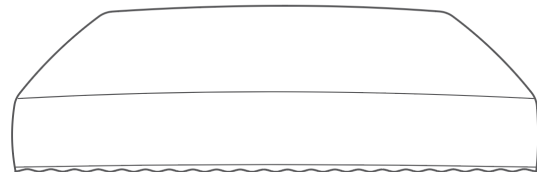
Item No.	Size	Pkg.
DYNJE4000	Cover, 24" x 40"	50/cs
DYNJE4010	Cover with Release Liner, 24" x 25"	48/cs
DYNJE4050	Cover with Adhesive Strip for Closure, 24" x 25"	50/cs



## Non-sterile Biohazard Containment Table Covers

- Transport contaminated instruments to sterile processing department
- Help identify biohazardous material in transportation

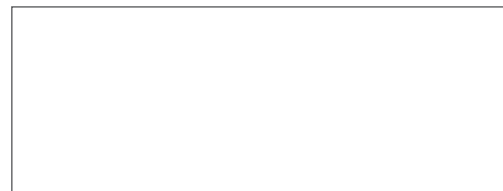
Item No.	Size	Pkg.
DYND5540	Up to 4'	20/cs
DYND5540XL	Up to 8'	20/cs



## Set-up Surgical Equipment Drapes

- Sterile covering for the back tables in the OR
- Soft, strong, clear film

Item No.	Size	Pkg.
DYNJE5600	54" x 90"	20/cs



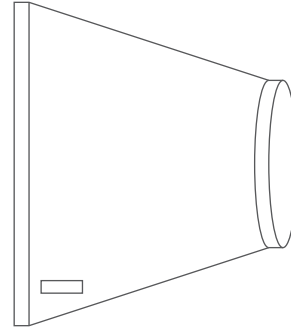
Poly Film 
  Matte Film 
  Adhesive

# Band Bags

## Rectangular Bags with Elastic Bands

- Clear, drapable poly film bag with elastic band to help provide a snug fit
- Versatile design is ideal for covering intensifiers and other equipment

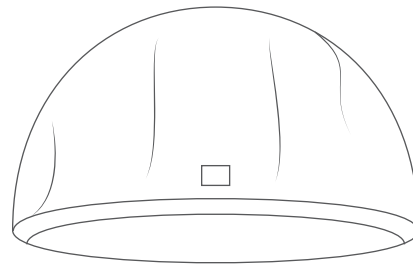
Item No.	Size	Pkg.
DYNJE64848S	48" x 48"	25/cs
DYNJE63654S	36" x 54"	25/cs
DYNJE63636R	36" x 36"	25/cs
DYNJE63628R	36" x 28"	25/cs
DYNJE63036RT	30" x 36", Includes tape	25/cs
DYNJE63036R	30" x 36"	25/cs



## Circular Bags with Elastic Bands

- Clear, drapable poly film bag has an elastic band to help provide a snug fit
- Versatile design is ideal for covering intensifiers and other equipment

Item No.	Size	Pkg.
DYNJE60050S	50" x 25"	25/cs
DYNJE60026S	26" x 13"	25/cs
DYNJE60040S	40" x 20"	25/cs
DYNJE60020S	20" x 9"	25/cs



Poly Film  Matte Film  Adhesive







**Medline Industries, Inc.** Three Lakes Drive, Northfield, IL 60093

Medline United States  
1-800-MEDLINE (633-5463)  
medline.com | info@medline.com

Medline Canada  
1-800-396-6996  
medline.ca | canada@medline.com

Medline México  
01-800-831-0898  
medlinemexico.com | mexico@medline.com

FOLLOW US    

Some products may not be available for sale in Mexico or Canada. We reserve the right to correct any errors that may occur within this brochure.

© 2020 Medline Industries, Inc. All rights reserved. Medline is a registered trademark of Medline Industries, Inc. MKT19W656510 / e17195 / 23