

electroair
ELECTRONIC IGNITION SYSTEMS

***EA-15000
Installation Manual
Ignition/Starter Switch Panel
For Two Magnetos***

***Electroair Acquisition Corp.
5097 Williams Lake Road
Waterford, MI 48329 U.S.A.
Phone: 248-674-3433 Fax: 248-674-4231
Email: sales@electroair.net***

Table of Contents

REVISION LOG 2

OVERVIEW OF IGNITION/STARTER SWITCH PANEL INSTALLATION..... 3

EA-15000 KIT DESCRIPTION & REQUIREMENTS..... 4

EA-15000 KIT CONTENTS..... 4

RECEIVING AND ACCEPTANCE CHECKING OF EA-15000 KIT 4

PRECAUTIONARY STATEMENTS:..... 5

INSTALLATION OF EA-15000:..... 6

GLOSSARY AND ABBREVIATIONS:..... 10

Table of Figures

Figure 1: Configuration A Overall Dimensions 6



Figure 2: Configuration B Overall Dimensions.....6

Figure 3: Configuration A Cutout Dimensions 7

Figure 4: Configuration B Cutout Dimensions 8

Figure 5: Configuration A and B Back Surfaces.....9

Revision Log

Revision	Pages Affected	Date of Revision	Description of Revision	Approved by	Date of FAA Approval
00		09/15/2017	Initial Release		02/06/2018
01	1,2,4,5,7,8,9	02/04/2020	ECO 1019-0079		

Overview of Ignition/Starter Switch Panel Installation

Thank you for purchasing an Electroair EA-15000 Ignition/Starter Switch Panel. The next pages will provide a step-by-step process of installing the Ignition/Starter Switch Panel on the aircraft. Electroair hopes you will enjoy the experience and that this manual will provide clear direction and guidance through this process. This manual will cover the following general installation steps:

1. General overview and recommendations
2. Removal of old ignition components
3. Set-up & installation of p/n: EA-15000 Ignition/Starter Switch Panel
4. Final installation steps

Electroair strongly recommends reading through this entire installation procedure before installing the Electroair Ignition/Starter Switch Panel to your aircraft. Make sure that any questions are answered before the actual installation. Also, make sure any extra components needed, e.g. cable ties, switch terminations, etc., are available. Removal of old components and installation of new components shall be completed in compliance with CFR Title 14 Part 43, as applicable, and any Airframe or Engine Manufacturer Maintenance Procedures, as applicable. Above all else, use good common sense and professional judgment. An ignition/starter switch panel is an electrical device. If an ignition/starter switch panel is improperly installed, severe damage could be caused to the ignition/starter switch panel, aircraft, or installer including bodily injury or death.

Please contact Electroair with any questions during this installation process. Good luck and happy flying!!

Electroair

EA-15000 Kit Description & Requirements

EA-15000 System Description & Requirements:

1. This kit replaces the rotary key switch on aircraft with an two magnetos.
2. 12V or 24V electrical system capable of 0.75A.

Other items needed:

1. Basic tools and standard aircraft hardware required for mounting EA-15000 Ignition/Starter Switch Panel.
2. Electrical tools for cutting, stripping, and terminating various wiring. Also recommended is a good selection of cable ties for harness routing and tie-off, and a selection of shrink tubing for covering exposed electrical connections.

EA-15000 Kit Contents

EA-15000 Kit Contents:

1. ___ EA-15000 Panel with Switches
2. ___ Baggie with connectors and connecting hardware
3. ___ USB Drive Containing System Documents (Installation Manual, STC, ICA)
4. ___ Warranty registration**

****USE THIS TO OBTAIN THE STC AUTHORIZATION LETTER****

Receiving and Acceptance Checking of EA-15000 Kit

1. Inspect the packaging for damage before acceptance from the freight carrier. If damaged, refuse the package.
2. Open the package.
3. Inventory the contents of the package to the content listing of the package.
4. Are all of the materials there? If yes, proceed to step 5. If no, proceed to step 9.
5. Inspect the switches for broken plastic.
6. Inspect the panel for bends
7. Are all materials acceptable?
8. If yes, proceed with installation.
9. If no, contact the factory. Have the serial number of the kit available when contacting. (factory 248-674-3433 or sales@electroair.net)

If possible, store parts in original packaging when not in use. If not possible, wrap parts in cushioning material and place in one location. Review above prior to reinstallation.

For latest copies of documentation, refer to www.electroair.net.

- Approved Model Listing (AML)
- Approved Flight Manual Supplement (AFMS)
- Instructions for Continued Airworthiness (ICA)
- Installation Manual (IM)
- Supplemental Type Certificate (STC)
- Trouble Shooting Instructions (TSI)

Precautionary Statements:



- ALWAYS STAY OUT OF THE PROPELLER ARC!
- CAUTION: Disconnect the battery before starting this procedure.
- CAUTION: Prior to any drilling or cutting, verify that there is proper clearance.
- CAUTION: Do not cut or alter any structural tubing, aluminum panels, or skin.
- CAUTION: Follow these instructions very carefully to insure a correct hook-up of the Ignition/Starter Switch Panel. Skipping ahead or taking short cuts increases the risk of an incorrect installation and either a poor performing EIS or the possibility of damaging equipment. Prior to turning on bus power, verify the wiring. Please call Electroair with any questions (sales@electroair.net or 248-674-3433).
- CAUTION: Do not secure any radio communication, navigation, transponders or intercom wiring to any ignition related wires, boxes, or sensors. Doing so will cause poor to noisy transmission or reception of com and intercom and/or poor or no navigation function. Keep at least 3 inches between these wires.



- **CAUTION: If using a non-impulse coupled magneto aka direct drive magneto aka non-starting magneto, update pilot checklist/ POH to have MAG switch in OFF position during starting.**
- Consult with appropriate licensed mechanic.
- Consult applicable service manuals for the aircraft.

Installation of EA-15000:

1. General Overview and Recommendations:

- Determine the proper location for the panel.
- Determine the most appropriate mounting method.
- Overall dimensions are provided in Figure 1 and Figure 2. Cutout dimensions are provided in Figure 3 and Figure 4. All dimensions are in inches.

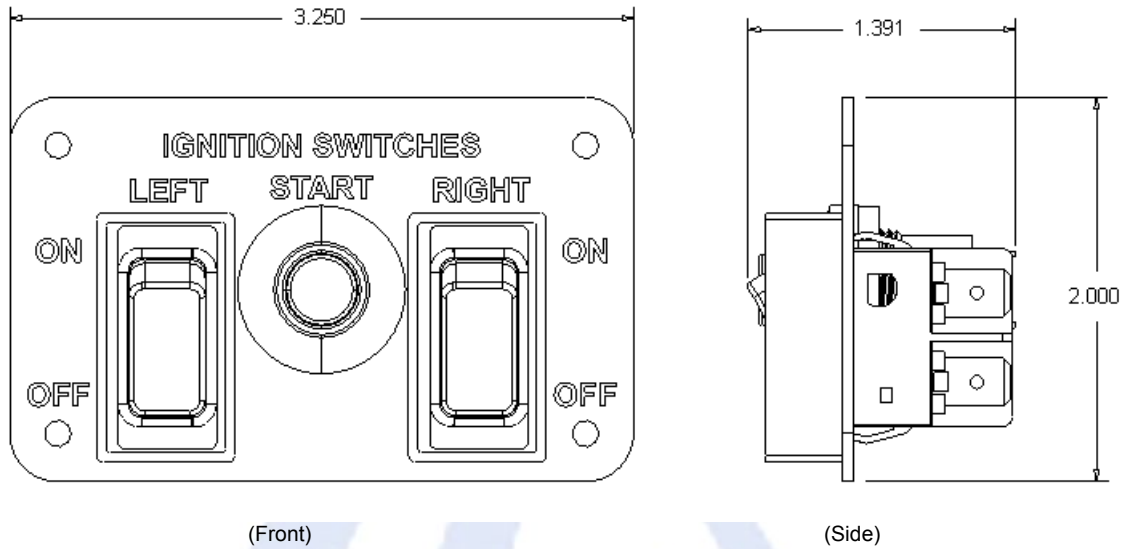


Figure 1: Configuration A Overall Dimensions

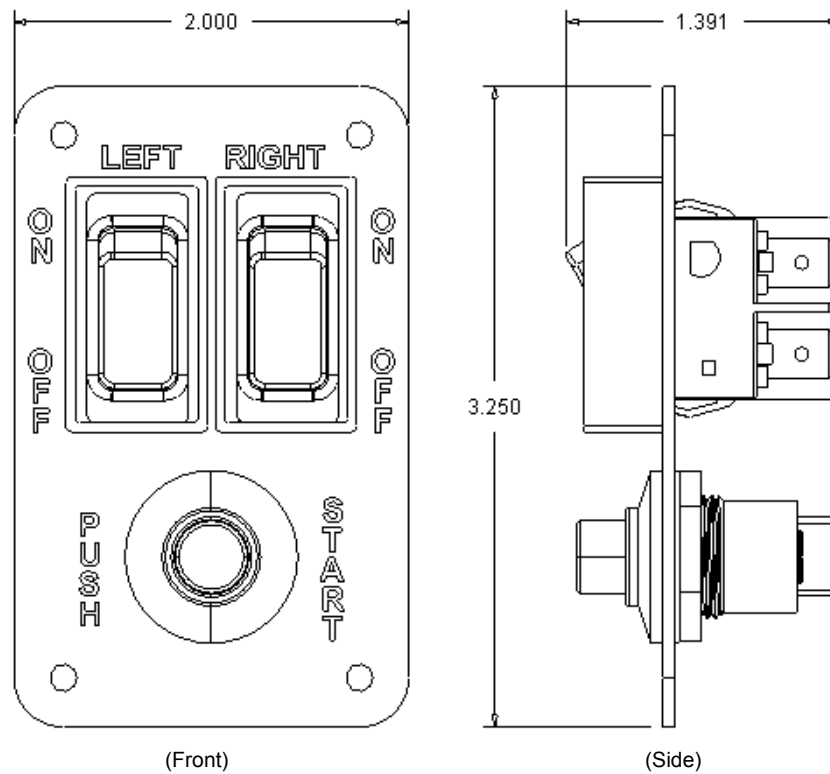


Figure 2: Configuration B Overall Dimensions

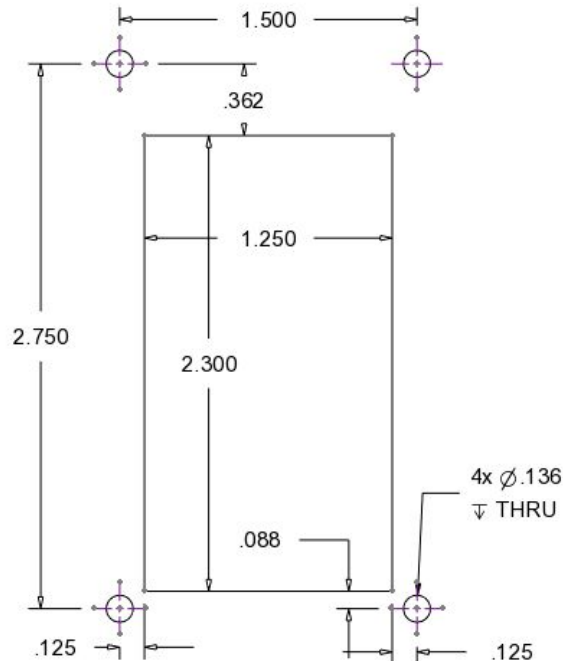


Figure 4: Configuration B Cutout Dimensions



- CAUTION: Before cutting or drilling verify space is clear behind the instrument panel.
- CAUTION: Use extreme care as to not damage any wiring, instruments, structural, and fuel lines.
- CAUTION: The connectors and connecting hardware for the starter switch are small. Take extreme care not to lose them.
- CAUTION: Ensure electrical connectors are tight on switch connections. Ensure wires will not pull out of any electrical connections.
- Left Mag Switch
 - Connect ground to GND.
 - Connect the P-Lead from the Left Magneto to P-LEAD.
- Right Mag Switch
 - Connect ground to GND.
 - Connect the P-Lead from the Right Magneto to P-LEAD.
- Starter Switch
 - Use this switch as the Start Switch.
 - Connect lead from starter terminal of ignition switch to terminal 1.
 - Connect B+ to terminal 2.
- Insulate any exposed electrical connections in accordance with 43.13-1B Change 1 section 11-159.
- Insert ignition/starter switch panel into instrument panel and screw down using standard hardware.

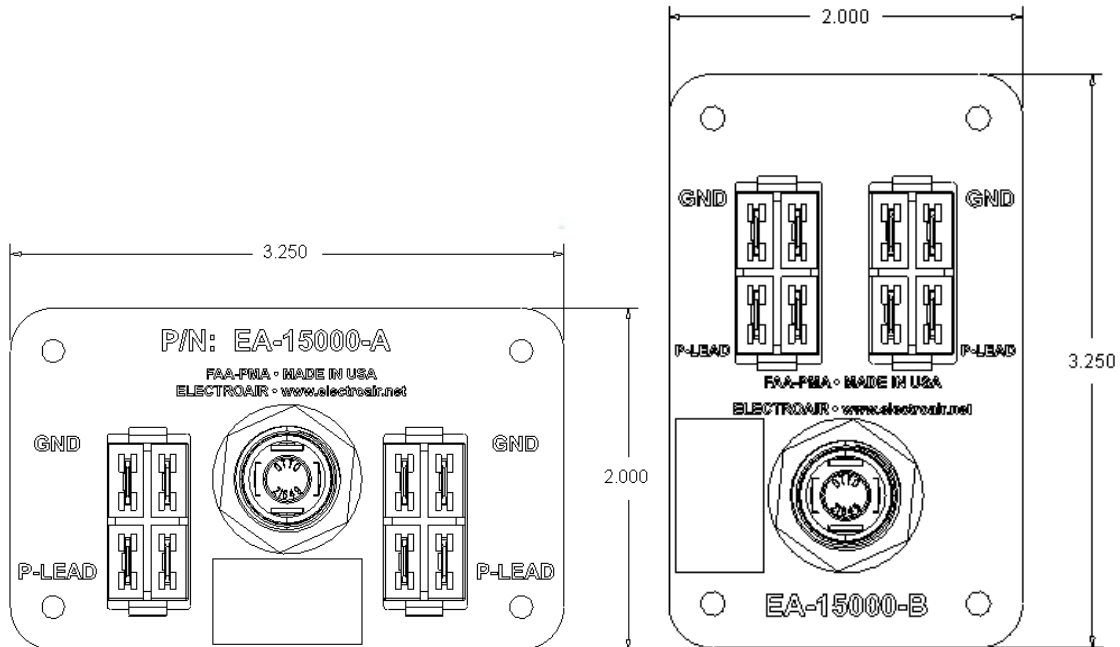


Figure 5: Configuration A and B Back Surfaces

4. Final Installation Steps:



- **CAUTION:** If using a non-impulse coupled magneto aka direct drive magneto aka non-starting magneto, update pilot checklist/ POH to have MAG switch in OFF position during starting.
- Start the aircraft per the AFMS and perform a ground run-up.
 - Check for proper starter function.
 - Check for proper RPM drop on Left Magneto.
 - Check for proper RPM drop on Right Magneto.
- If the aircraft passes, then return to service.
- If the aircraft fails, then verify that all of the connections are correct and competent and that no other wires were damaged during the install. Repeat the start-up process.
- If the aircraft fails a second time, contact the factory for support. (248-674-3433 or sales@electroair.net)

Glossary and Abbreviations:

AD(s) – Airworthiness Directive(s)

AFM – Aircraft Flight Manual

AFMS – Aircraft Flight Manual Supplement

ALS – Aircraft Limitations Section

AML – Approved Model List

APU – Auxiliary Power Unit

BTDC – Before Top Dead Center

CFR – Code of Federal Regulations

CSTW – Crank Shaft Trigger Wheel

EIS – Electronic Ignition System

FAA – Federal Aviation Administration

Ignition Timing – is the process of setting the angle relative to piston position and crankshaft angular velocity that a spark will occur in the combustion chamber near the end of the compression stroke.

IAW – In Accordance With

ISSP – Ignition/Starter Switch Panel

MAG – magneto

MAP – Manifold Absolute Pressure

May/Should – an optional requirement

MTH – Mag Timing Housing

Must/Shall – a mandatory requirement

RPM – Revolutions per Minute

POH – Pilot's Operating Handbook

STC – Supplemental Type Certificate

TDC – Top Dead Center