

How to Apply Product

- For best results, follow the Scotts® Annual Lawn Care Program™, and for seeding projects use Scotts® Pure Premium® Grass Seed.

1 Set Rate

- Find the rate setting for "Scotts Drop Spreader" found on the back of the Scotts product package.
- Turn the micrometer until that number appears in the micrometer window.

2 Fill Hopper

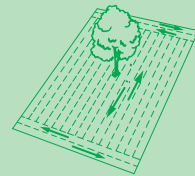
- With the spreader hopper closed (trigger control away from handle), fill the spreader over a patch of bare ground or driveway/sidewalk.
- DO NOT fill spreader on the lawn. Sweep up any spilled product.

3 Apply

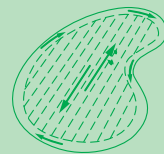
- Start walking, then squeeze and hold trigger to release product.

Application Tips

- **For rectangular lawns**, apply two header strips at each end of the lawn and then go back and forth.

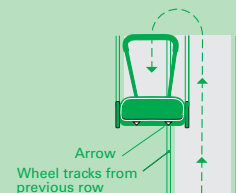


- **For irregular-shaped lawns**, apply one header strip around the entire lawn, and then go back and forth.



- To avoid streaks or misses, slightly overlap each strip over the edge of the previous strip. Line up the arrow on the hopper with the wheel track from the previous row.

Do not use wheel for alignment.



Spreader Maintenance

- Never leave product in spreader. Pour leftover material back into the package and seal package tightly.
- Wash spreader after each use.
- Lubricate axle bearings with light oil.
- Store in a dry place.

Questions, Comments, Information

Call the toll-free Scotts Consumer Helpline: 1.800.543.TURF or visit www.scotts.com

Scotts No-Quibble Guarantee®

If for any reason you, the consumer, are not satisfied after using this product, you are entitled to get your money back. Simply send us proof of purchase and we will mail you a refund check promptly.



The Scotts Company
14111 Scottslawn Rd.
Marysville, Ohio 43041

Dedicated To A Beautiful World™

Trusted by generations of homeowners, Scotts is dedicated to helping you enhance and protect the natural beauty of your home environment.

Scotts®

© 2003, Licensed by The Scotts Company. World rights reserved.

03-AG1000 Printed in USA
P/N: 735307-001



AccuGreen® 1000™

DROP SPREADER

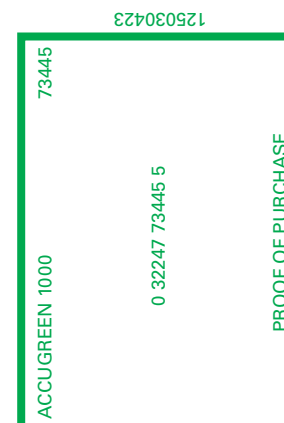
Instructions for Assembly and Use

Thank you for purchasing a Scotts® AccuGreen® 1000™

Drop Spreader! The Scotts Company was first to market a spreader for home lawns, back in 1946. Today, Scotts continues to improve its entire line of spreaders, to make them more accurate, easy to use, more durable and longer lasting.

The Scotts Difference®

- U-shaped handle with handle mounted on/off control
- 18-inch (46cm) spread width, for fast, easy coverage
- Holds 5,000 sq. ft. (470 sq. meters) of Scotts fertilizer
- Durable, rustproof plastic parts
- 12-inch (30cm) wheels provide stability and maneuverability
- Folds for easy storage
- Backed by Scotts No-Quibble Guarantee®
- Made in the U.S.A.

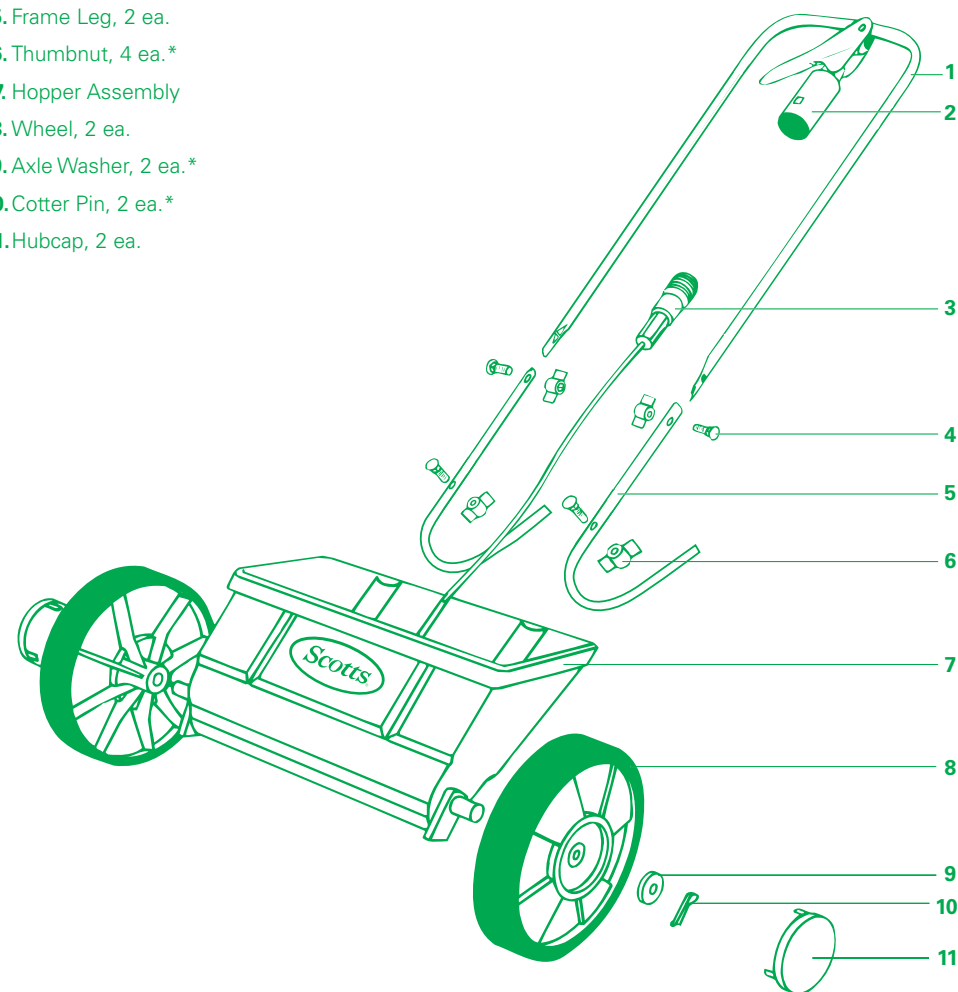


How to Assemble Your AccuGreen® 1000™

- Check to see if you have all parts shown below.
- Do not completely tighten nuts until the spreader assembly is complete.

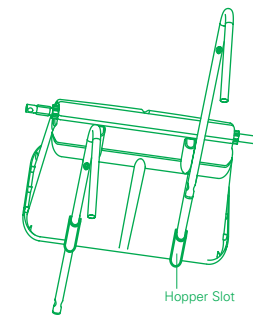
Parts List *Furnished in Hardware Kit

1. Handle Assembly
2. Micrometer Housing
3. Micrometer Barrel
4. Bolt, 4 ea.*
5. Frame Leg, 2 ea.
6. Thumbnut, 4 ea.*
7. Hopper Assembly
8. Wheel, 2 ea.
9. Axle Washer, 2 ea.*
10. Cotter Pin, 2 ea.*
11. Hubcap, 2 ea.



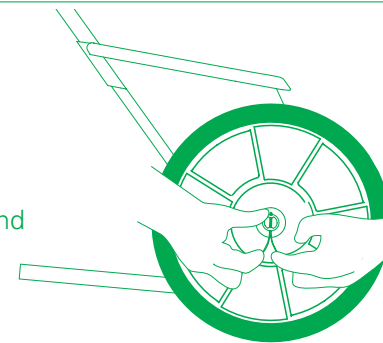
1 Frame Legs

- Insert **frame legs (5)** into the **hopper assembly (7)** slots.
- Attach legs to hopper, inserting **bolts (4)** through hopper then leg. Fasten legs in place with **thumbnuts (6)** on outside of hopper.



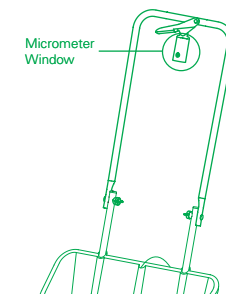
2 Wheels

- Slide **wheels (8)** onto axle with the hub facing out.
- Slide **axle washers (9)** onto axle.
- Slip **cotter pins (10)** through axle holes and bend the ends around the axle.
- Align **hubcaps (11)** and snap into place.



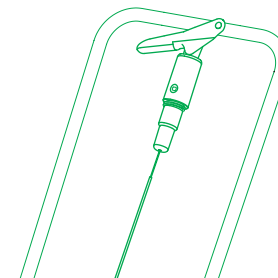
3 Handle

- Attach **handle assembly (1)** using bolts and thumbnuts. *Micrometer window must face the front of the spreader, thumbnuts face inside.*



4 Micrometer Wire

- Screw **micrometer barrel (3)** into the **micrometer housing (2)**.
- Tighten handle assembly and all other nuts.

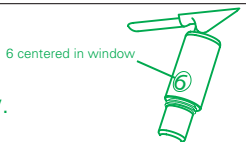


How to Calibrate the Spreader

- **IT IS NECESSARY TO CALIBRATE YOUR SPREADER AFTER ASSEMBLING IT OR IT MAY SPREAD THE INCORRECT AMOUNT OF PRODUCT.**

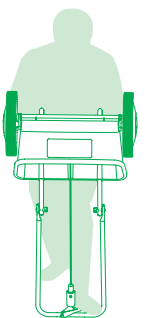
1 Set Micrometer

- Turn micrometer until 6 is centered in window.



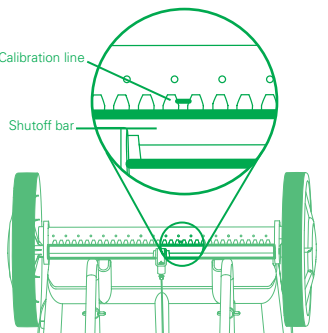
2 Position Spreader

- Stand the spreader on its handle with the Scotts logo facing away from you.
- Press gently with your foot on the control lever and observe the position of the shutoff bar.



3 Check Shutoff Bar

- With your foot on the control lever, the front edge of the shutoff bar at bottom of hopper should line up with the calibration line engraved into the bottom of the hopper. *You may need to pull the shutoff bar towards you to see the calibration line.*



4 Adjust Calibration Screw

- *If the shutoff bar covers the calibration line, turn the adjustment screw counter-clockwise.*
- *If the bar is below the line, turn the adjustment screw clockwise.*

