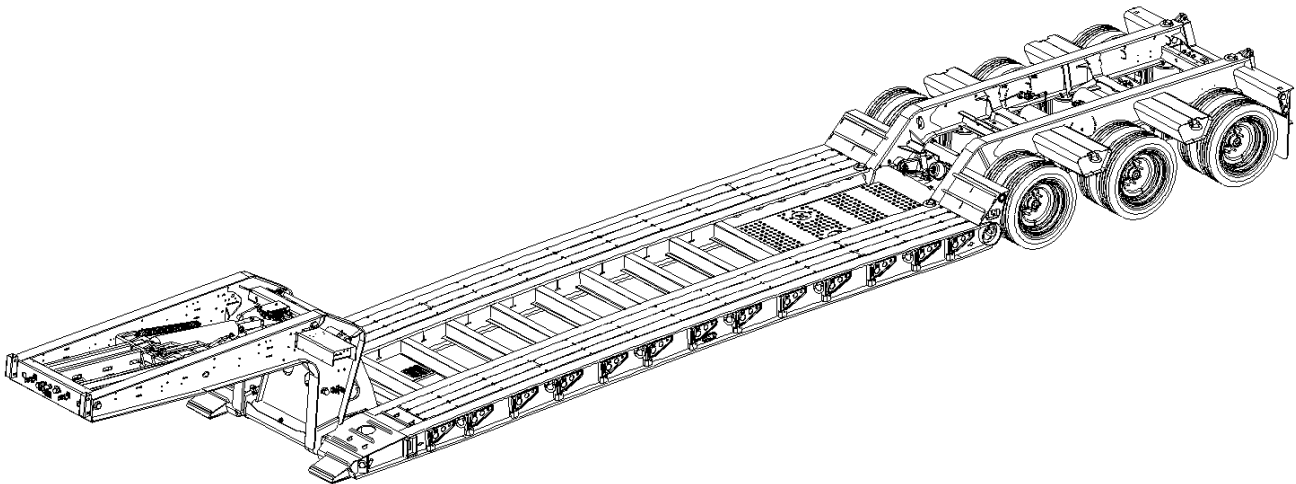




Model 855C/855 HD Series Detachable Semitrailer Parts Manual



LANDOLL CORPORATION

1900 North Street
Marysville, Kansas 66508
(785) 562-5381

800-428-5655 ~ WWW.LANDOLL.COM

Table of Contents

1 Instructions for Ordering Parts

2 Illustrated Parts List

GENERAL ASSEMBLY	2-1
DECAL PLACEMENT	2-5
GOOSENECK GENERAL ASSEMBLY (855C)	2-7
GOOSENECK ELECTRICAL SYSTEM (855C)	2-9
GOOSENECK AIR SYSTEM (855C)	2-11
GOOSENECK HYDRAULIC SYSTEM (855C)	2-14
GOOSENECK GENERAL ASSEMBLY (855 HD)	2-18
GOOSENECK ELECTRICAL SYSTEM (855 HD)	2-21
GOOSENECK AIR SYSTEM (855 HD)	2-25
GOOSENECK HYDRAULIC SYSTEM (855 HD)	2-29
THREE SPOOL VALVE	2-31
CYLINDER, HYDRAULIC 7 X 34 (CARLSON)	2-32
CYLINDER, HYDRAULIC 7 X 34 (PRINCE)	2-33
CYLINDER, HYDRAULIC 8 X 36 (PRINCE)	2-34
FRONT GOOSENECK FLIP ASSEMBLY, 36"	2-35
FRONT G/N HYDRAULIC FLIP EXTENSION INSTALLATION (855 HD)	2-37
FRAME GENERAL ASSEMBLY (855C)	2-39
FRAME ELECTRICAL SYSTEM (855C)	2-41
FRAME ASSEMBLY - AIR BRAKE SYSTEM (855C)	2-44
BRAKE KIT, ABS (ROCKWELL)	2-47
FRAME GREASE ASSEMBLY (855C)	2-49
FRAME ASSEMBLY - AIR RIDE SUSPENSION (855C)	2-51
FRAME GENERAL ASSEMBLY (855 HD)	2-53
FRAME ELECTRICAL SYSTEM (855 HD)	2-55
AIR BRAKE SYSTEM (855 HD)	2-58
FRAME GREASE SYSTEM (855 HD)	2-61
FRAME ASSEMBLY - AIR RIDE SUSPENSION (855 HD)	2-63
AIR CONTROL KIT	2-65

SUSPENSION HANGER RLU 250 FMT (FRONT)	2-67
SUSPENSION HANGER RLU 250-9-4	2-69
SUSPENSION HANGER RLU-228	2-71
AXLE AND BRAKE ITEMS (DEXTER) (16-1/2" x 7")	2-73
DISC BRAKE & AXLE ITEMS	2-75
DISC BRAKE & AXLE ITEMS - FRONT MOUNT	2-77
OUTBOARD PILOT MOUNT HUB AND DRUM ASSEMBLY	2-79
MODIFIED TRAILER ASSEMBLY FOR HYDRAULIC FLIP	2-83
STANDARD FLIP ASSEMBLY - GENERAL	2-85
FLIP ASSEMBLY W/ AIR LIFT AXLE - BASIC	2-87
FLIP ASSEMBLY W/ AIR LIFT AXLE - GENERAL	2-89
STANDARD FLIP ASSEMBLY - AIR RIDE SUSPENSION	2-91
FLIP ASSEMBLY W/ AIR LIFT AXLE - AIR RIDE SUSPENSION	2-93
FLIP ASSEMBLY - ELECTRICAL SYSTEM	2-95
FLIP ASSEMBLY - AIR BRAKE SYSTEM	2-97
FLIP ASSEMBLY - GREASE SYSTEM	2-99
FLIP ASSEMBLY - TIRE INFLATION SYSTEM	2-101
CYLINDER, HYDRAULIC 4 X 20	2-103
SWING OUT INSTALLATION	2-105
SPREADER ASSEMBLY (855 HD)	2-107
STINGER ASSEMBLY (855 HD)	2-109
SUPPORT BOOM ASSEMBLY (855 HD)	2-111
GOOSENECK MUD FLAP INSTALLATION	2-113
GOOSENECK FENDER INSTALLATION	2-115
GOOSENECK MUD FLAPS (855C) (OPTION)	2-116
GOOSENECK COVER ASSEMBLY (855C) (OPTION)	2-117
GOOSENECK COVER ASSEMBLY (855 HD) (OPTION)	2-118
COVER BOOM TROUGH ASSEMBLY (OPTION)	2-119
COVER BOOM TROUGH ASSEMBLY, FLIP (OPTION)	2-120
RACK AND TRAY INSTALLATION (855C) (OPTION)	2-121
ENGINE INSTALLATION FRONT MOUNT (OPTION)	2-123
FRONT MOUNT ENGINE COVER INSTALLATION (OPTION)	2-125
42-11 HP HONDA ENGINE DRIVE INSTALLATION (OPTION)	2-128
ENGINE DRIVE SUPPORT (OPTION)	2-131
DIESEL ENGINE INSTALLATION (OPTION)	2-133
17.5 DIESEL ENGINE INSTALLATION (OPTION)	2-138
30 GALLON HYDRAULIC WET KIT (OPTION)	2-141
PULLOUT EXTENSION MOUNTED LIGHT PACKAGE (OPTION)	2-143
WEB MOUNTED FOUR CORNER LIGHT PACKAGE (OPTION)	2-145
BATTERY BACKUP BUMPER STROBE LIGHT (OPTION)	2-147

BACKUP ALARM/LIGHT INSTALLATION (OPTION)	2-149
BACKUP ALARM INSTALLATION (OPTION)	2-151
BATTERY BACKUP BUMPER STROBE LIGHT (OPTION)	2-152
BUMPER STROBE LIGHT (OPTION)	2-153
FLIP AXLE BUMPER STROBE LIGHT (OPTION)	2-154
AUXILIARY MID ELECTRICAL OUTLET (OPTION)	2-155
S/T/T LIGHT INSTALLATION (OPTION)	2-157
TIRE INFLATION SYSTEM, THREE AXLE (OPTION)	2-159
MISCELLANEOUS OPTIONS	2-161
6-1/2' FRONT RAMP ASSEMBLY (855 HD)	2-163
1-1/2 X 8 HYDRAULIC CYLINDER	2-165
AIR WEIGH SCALE INSTALLATION (OPTION)	2-166
AIR WEIGH SCALE INSTALLATION (AFTER 03/01/2013) (OPTION)	2-167
AXLE LIFT CONTROL ASSEMBLY (855C)	2-169
LIFT AXLE (FLIP) CONTROL ASSEMBLY (OPTION)	2-171
REAR SUSPENSION AIR LIFT ASSEMBLY (OPTION)	2-172
BOLT-ON D-RING ASSEMBLY (OPTION)	2-173
COVER INSTALLATION, TRUNNION (OPTION)	2-174
LID ASSEMBLY, STORAGE AREA CENTER (OPTION)	2-175
WHEEL COVER ASSEMBLY (OPTION)	2-176
WHEEL COVER ASSEMBLY (OPTION)	2-177
BLACK POLY FENDER INSTALLATION, 3 AXLE (OPTION)	2-178
CHROME POLY FENDER INSTALLATION, 3 AXLE (OPTION)	2-179
BLACK POLY FENDER INSTALLATION, FLIP AXLE (OPTION)	2-180
CHROME POLY FENDER INSTALLATION, FLIP AXLE (OPTION)	2-181
PRESSURE GAUGE INSTALLATION (OPTION)	2-182
24/12V ELECTRICAL CONVERSION BOX INSTALLATION (OPTION)	2-183
LOAD BANNER ASSEMBLY (OPTION)	2-184

3 Numerical Index

Instructions for Ordering Parts

ORDER PARTS FROM LANDOLL PARTS DISTRIBUTION CENTER

**** Repair parts must be ordered through an Authorized Dealer ****

PHONE NO.: 1-800-423-4320 OR 1-800-428-5655 OR 1-785-562-5381

FAX NO.: 888-527-3909

ORDER ONLINE: companystore.landoll.com

IDENTIFICATION PLATE

The identification plate, which lists the model number and serial number, is located on the front of the frame (See Figure 1-1.)

SERIAL NUMBER NOMENCLATURE

The serial number for the 855C/855 HD detachable semitrailer is located on the identification plate.

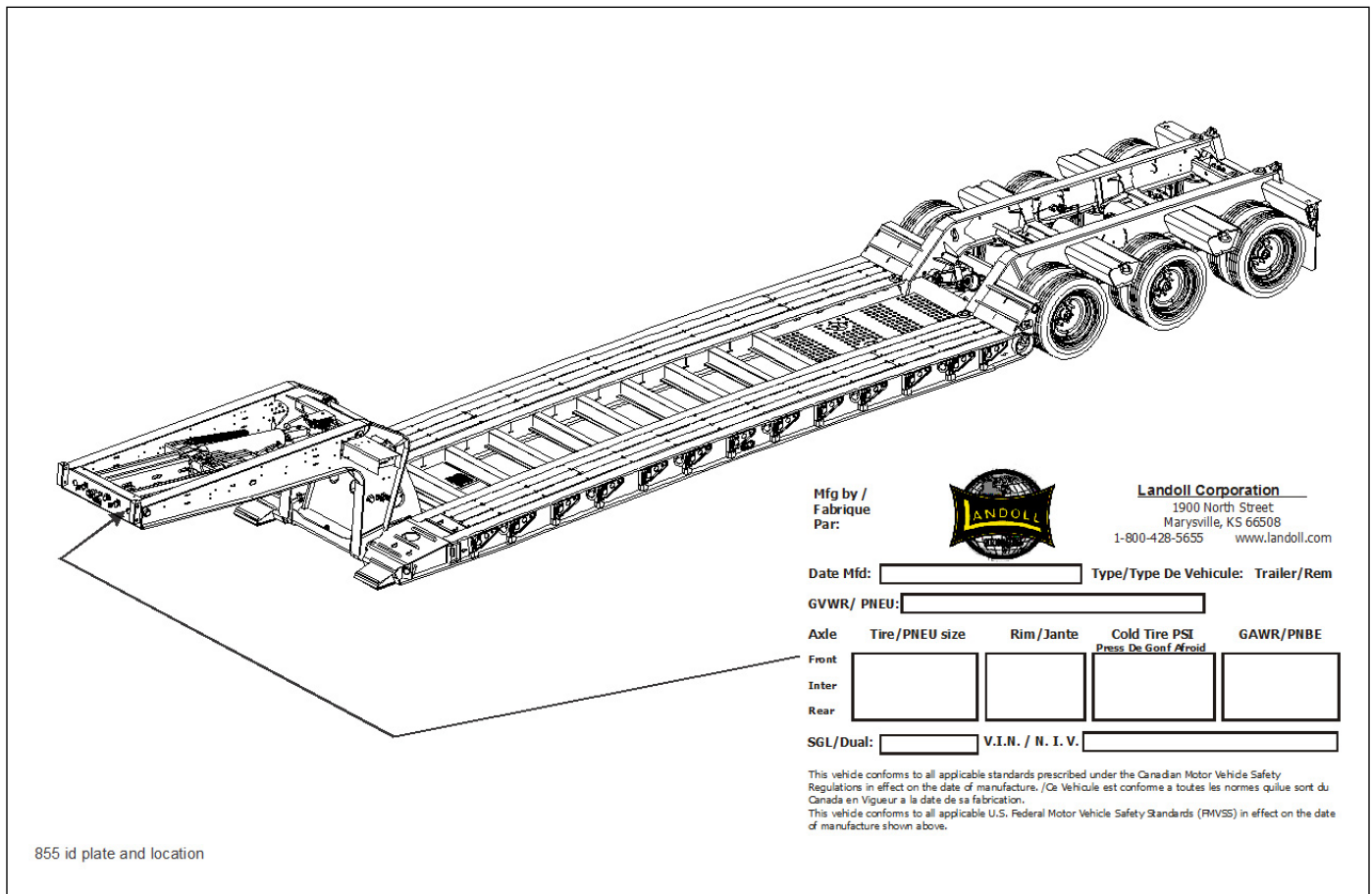


Figure 1-1: Identification Plate and Location

Page Intentionally Blank

Illustrated Parts List

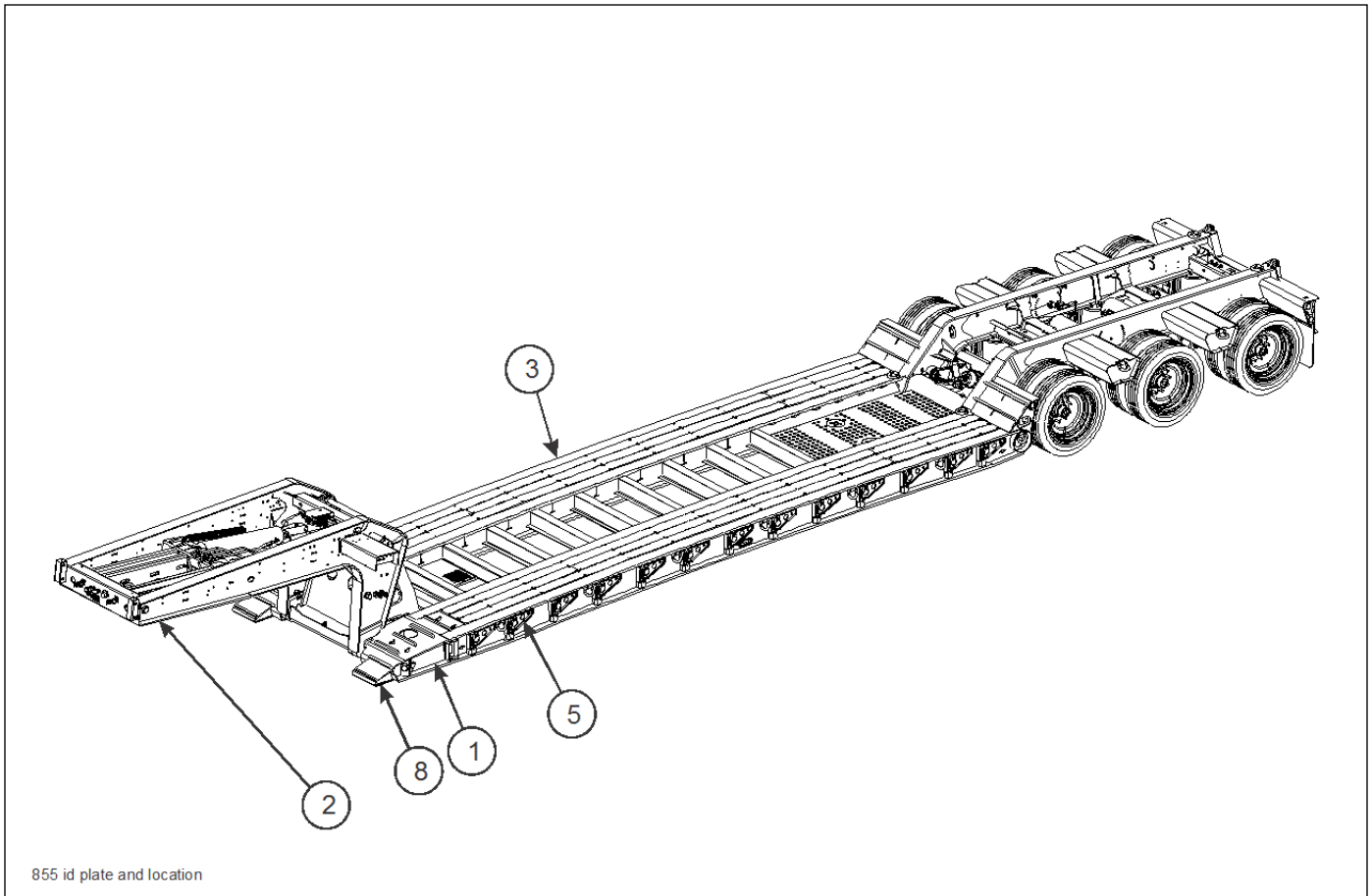


Figure 2-1: General Assembly

GENERAL ASSEMBLY

ITEM	PAGE NO.	DESCRIPTION	QTY.
1	2-2 - 2-5	DECAL INSTALLATION	
2	2-6 - 2-37	GOOSENECK ASSEMBLIES - GENERAL, ELECTRICAL, AIR, HYDRAULIC, & GREASE	
3	2-38 - 2-79	FRAME ASSEMBLIES - GENERAL, ELECTRICAL, AIR BRAKE, AIR, & GREASE	
4	2-80 - 2-103	FLIP ASSEMBLIES - STANDARD AND AIR LIFT AXLE (NOT SHOWN) - GENERAL, ELECTRICAL, AIR BRAKE, AIR RIDE SUSPENSION, GREASE, TIRE INFLATION	
5	2-104 - 2-121	SWING OUT/SPREADER/STINGER/MISC. COVER INSTALLATIONS	
6	2-122 - 2-138	ENGINE ASSEMBLIES (NOT SHOWN)	
7	2-140 - 2-141	HYDRAULIC WET KIT ASSEMBLIES (NOT SHOWN)	
8	2-142 - 2-183	MISCELLANEOUS OPTIONS	



ILLUSTRATED PARTS LIST

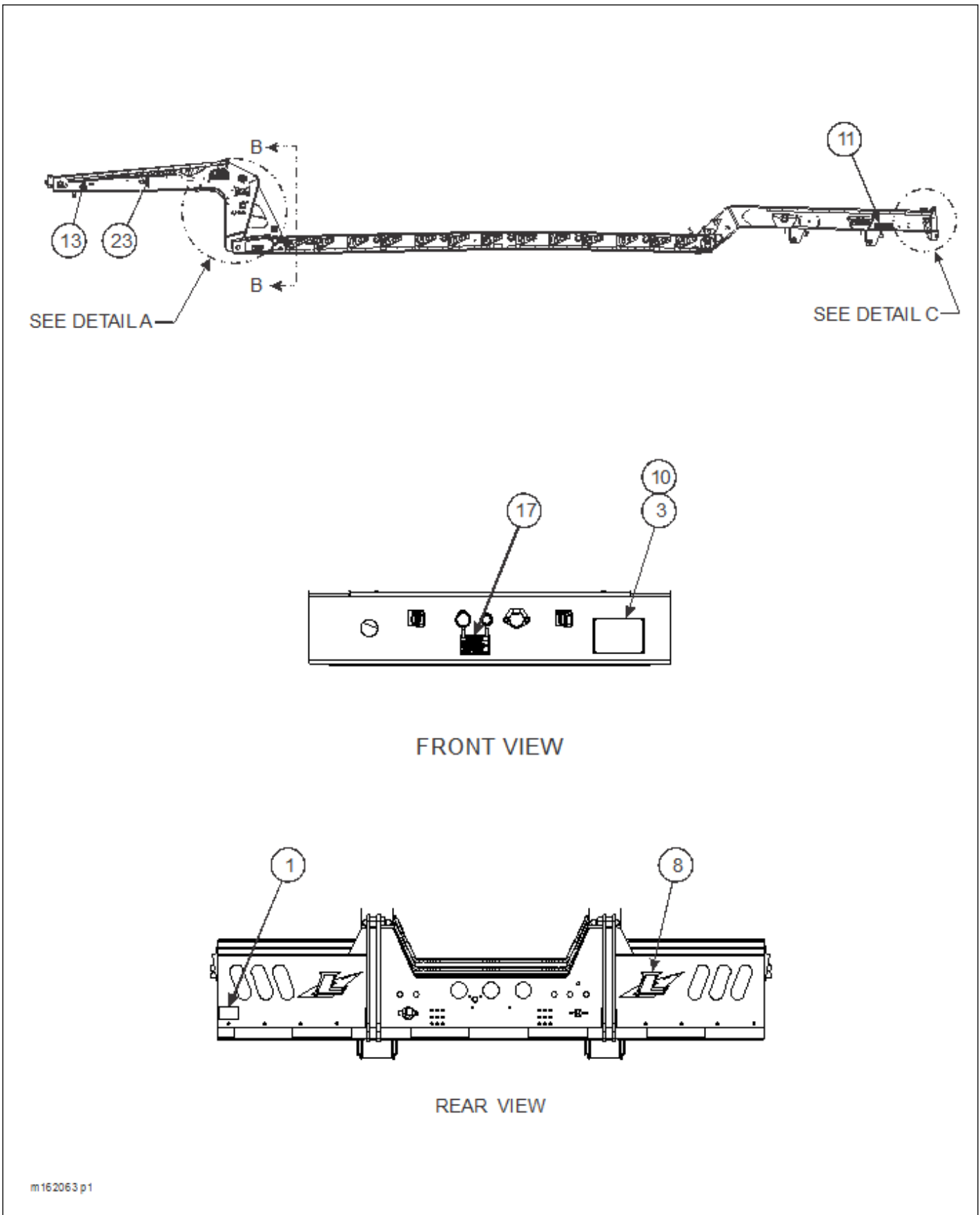
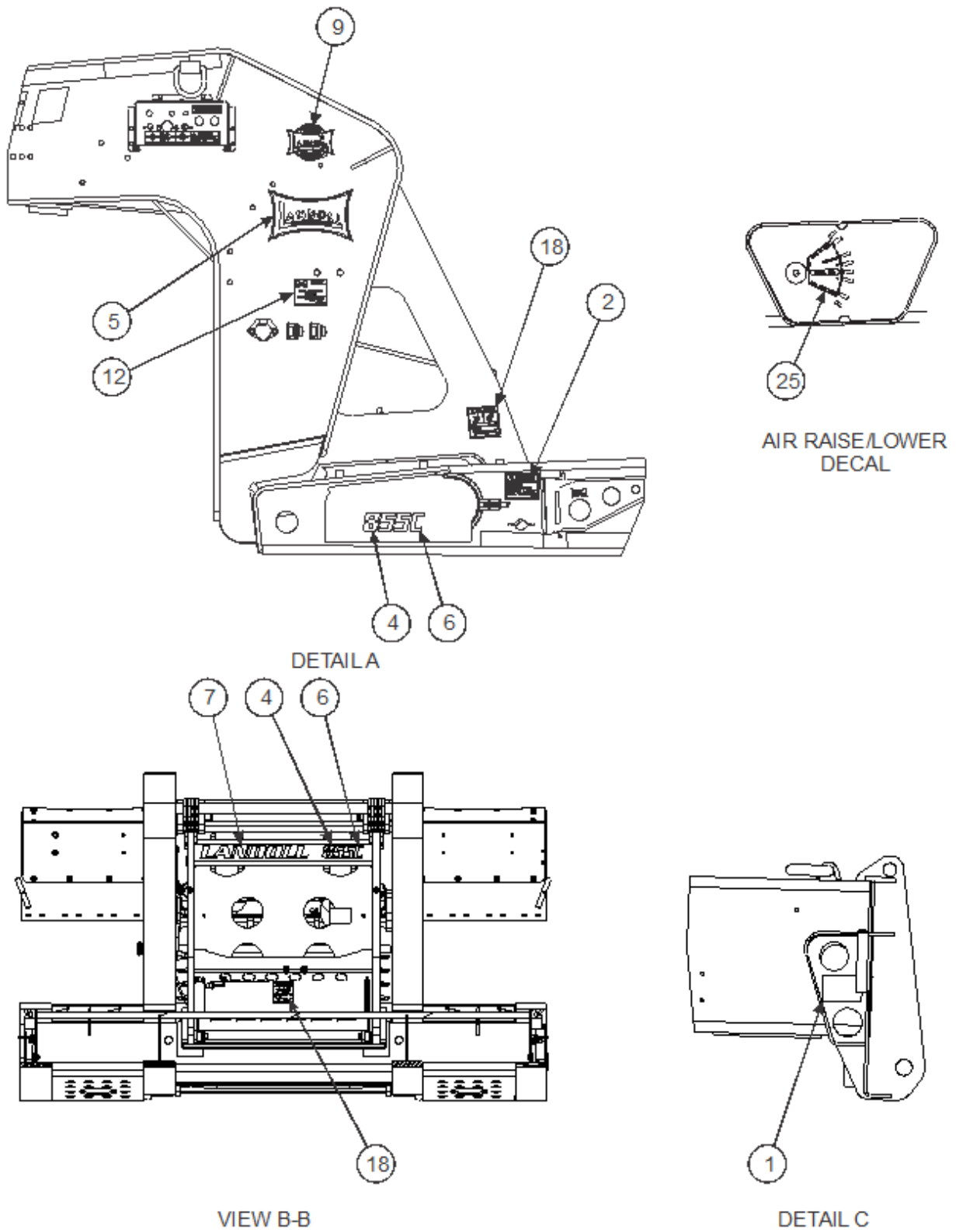


Figure 2-2: Decal Placement (1 of 2)



m162063 p2

Figure 2-3: Decal Placement (2 of 2)

ILLUSTRATED PARTS LIST

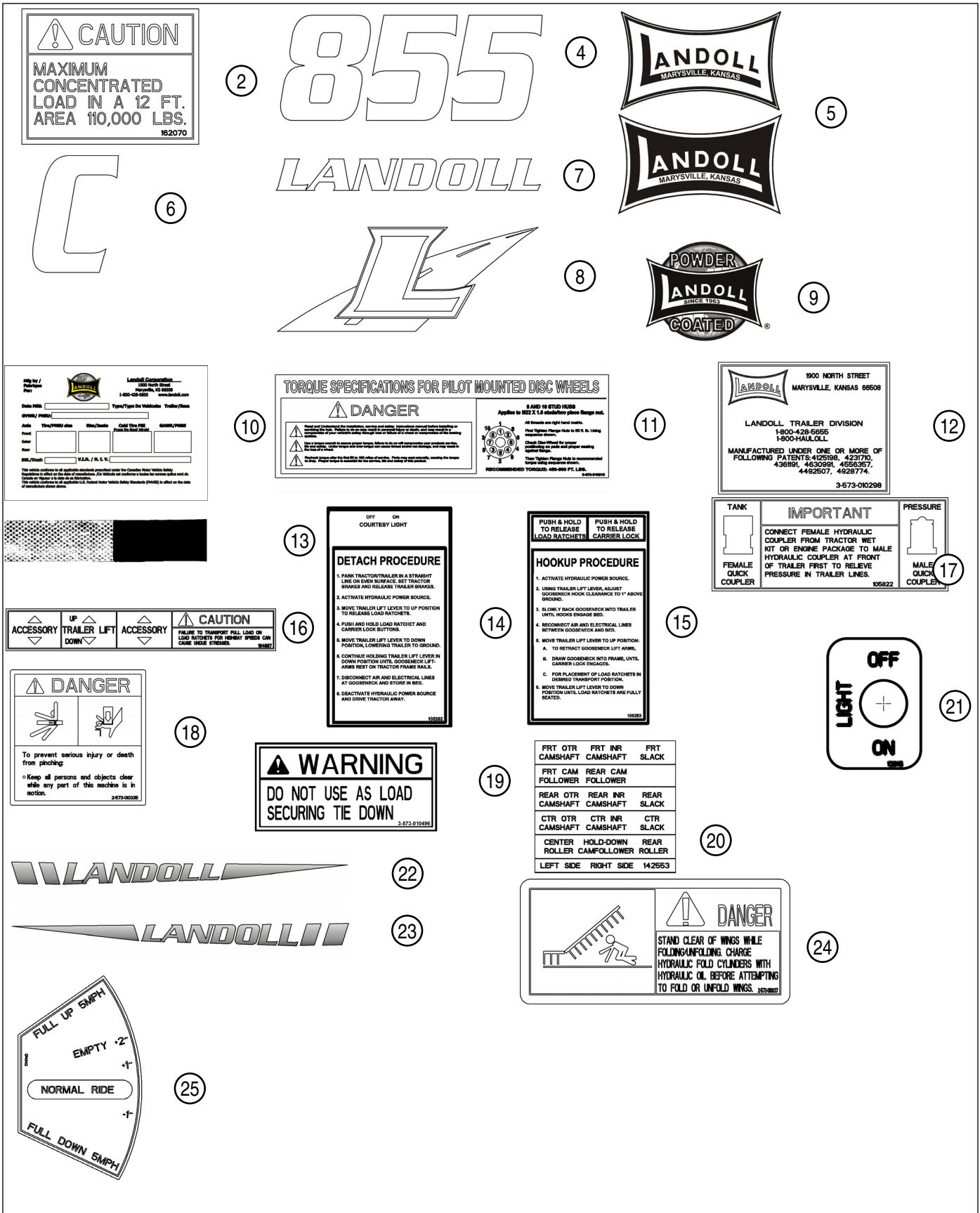


Figure 2-4: Decals

DECAL PLACEMENT

ITEM	PART NO.	DESCRIPTION	QTY.
	162063	DECAL PLACEMENT 855	REF
1	101855	WARNING LAMP LABEL, ABS	
2	162070	DECAL, CAUTION 110K/12 FT CONC.	
3	12420301-017	RIVET, BLIND .156 X 1/4	
4	162062	DECAL, 855 REFLECTIVE	
5	153754	DECAL, BOW TIE (WHITE/DK) REFLECTIVE	
	153755	DECAL, BOW TIE (BLACK/LT) REFLECTIVE	
6	153792	DECAL, "C" 2-1/2" REFLECTIVE	
7	153795	DECAL, LANDOLL 2-1/2" REFLECTIVE	
8	153797	DECAL, HIGHWAY L 5" REFLECTIVE	
9	153798	DECAL, POWDER COATED REFLECTIVE	
10	155780	TRAILER VIN PLATE	
11	3-573-010210	DECAL, TORQUE SPEC 8-10 STUD HUB	
12	3-573-010298	DECAL, PATENT	
13	3-573-010377	DECAL, 2" REFLEXITE TAPE RED/WHITE	
14	105282	DECAL, 825 DETACH PROCEDURE (SEE PAGE 2-7 FOR LOCATION)	
15	105283	DECAL, 825 HOOKUP PROCEDURE (SEE PAGE 2-7 FOR LOCATION)	
16	164897	DECAL, 855 CONTROLS (SEE PAGE 2-7 FOR LOCATION)	
17	105822	DECAL, HYDRAULIC COUPLER	
18	2-573-010335	DECAL, DANGER PINCHING	
19	3-573-010496	DECAL, WARNING TIE DOWN (SEE PAGE 2-35 FOR LOCATION)	
20	142553	DECAL, GREASE TRAILER U/C (SEE PAGE 2-61 FOR LOCATION)	
21	130116	DECAL, ON/OFF LIGHT (SEE PAGE 2-157 FOR LOCATION)	
22	153748	DECAL, TAPERED STRIPE RH REFL (NOT SHOWN)	
23	153749	DECAL, TAPERED STRIPE LH REFL	
24	2-573-010037	DECAL, DANGER WING (SEE PAGE 2-83 FOR LOCATION)	
25	174042	DECAL, RIDE RAISE/LOWER	

ILLUSTRATED PARTS LIST

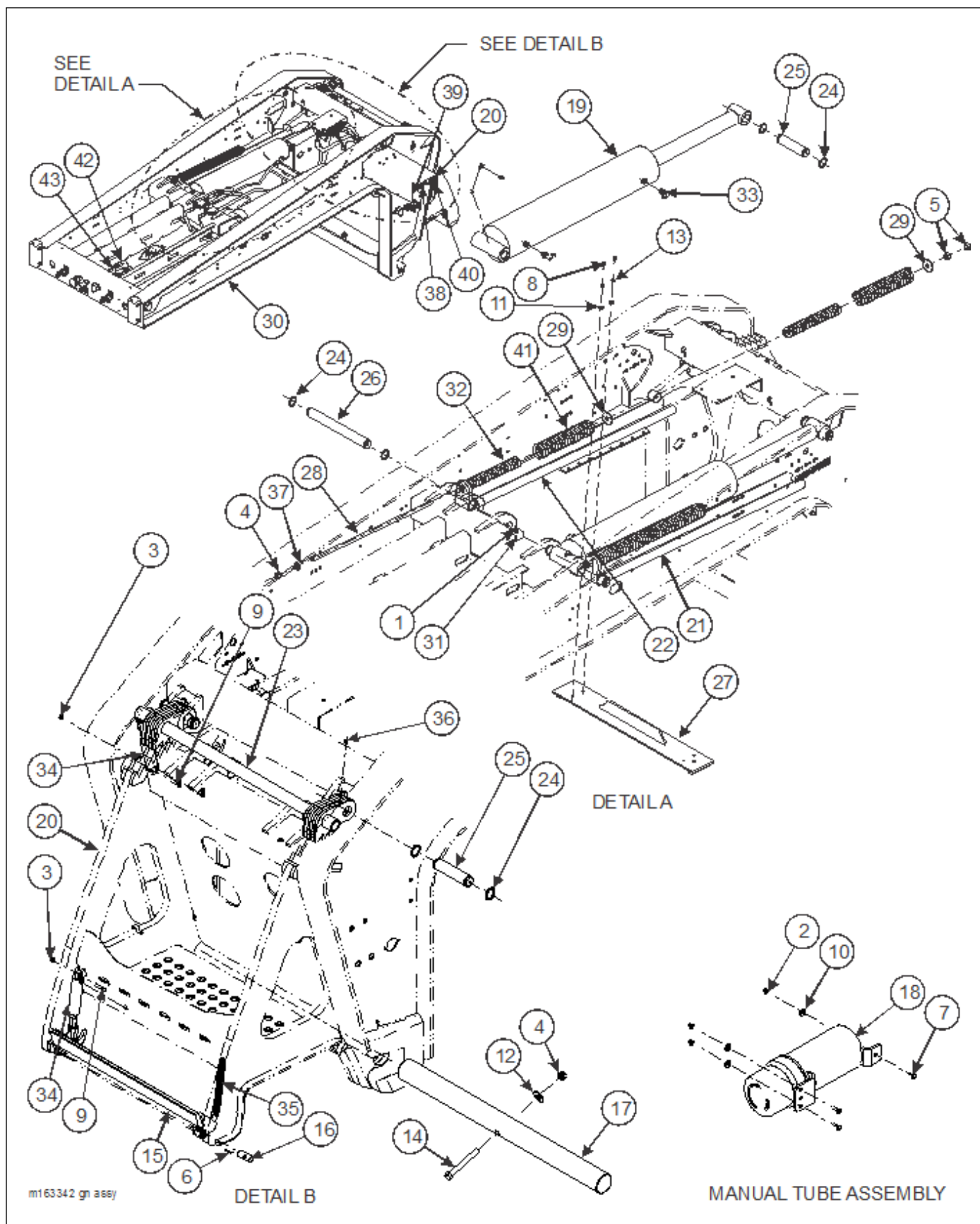


Figure 2-5: Gooseneck General Assembly (855C)

GOOSENECK GENERAL ASSEMBLY (855C)

ITEM	PART NO.	DESCRIPTION	QTY.
	171679	GOOSENECK ASSEMBLY, 12'-5" (855C)	
	171685	GOOSENECK ASSEMBLY, 10'-9" (855C)	
1	1-510-010001	NUT, FLANGE HEAD SERRATED 3/8-16	AR
2	1-512-010005-01	NUT, HEX LOCK 1/4-20 GRB	2
3	1-512-010005-05	NUT, HEX LOCK 3/8-16 GRB	3
4	1-512-010005-15	NUT, HEX LOCK 3/4-10 GRB	3
5	1-512-010007-12	NUT, HEX 3/4-10 GRB	4
6	1-647-010004221	ROLL PIN, SLOTTED 1/4 X 2	2
7	1-654-010047-05	SCREW, HEX HEAD CAP 1/4-20 X 7/8 GR5	3
8	1-654-010051-05	SCREW, HEX HEAD CAP 3/8-16 X 1 GR5	5
9	1-654-010051-08	SCREW, HEX HEAD CAP 3/8-16 X 1-3/4 GR5	2
10	1-861-010032-07	WASHER, FLAT 1/4W	5
11	1-861-010032-11	WASHER, FLAT 3/8W	5
12	1-861-010032-21	WASHER, FLAT 3/4W	1
13	1-861-010034-11	WASHER, SPLIT LOCK 3/8	4
14	100855	SCREW, HEX HEAD CAP 3/4-10 X 6-1/2 GR5	1
15	105237	LATCH, WELDMENT G/N LOWER	1
16	105243	PIN, LOWER G/N LATCH	2
17	105245	PIN, G/N TO CARRIER	1
18	150076	MANUAL HOLDER	1
19	160366	CYLINDER, HYDRAULIC 7 X 34 (SEE PAGE 2-32 OR 2-33)	2
20	160396	CARRIER WELDMENT	1
21	161165	LIFT G/N WELDMENT, LH CHANNEL	1
22	161168	LIFT G/N WELDMENT, RH CHANNEL	1
23	161172	UPPER LATCH WELDMENT	1
24	162037	RETAINING RING, 1-3/4	12
25	162038	PIN, 1-3/4 X 7-1/2	4
26	162039	PIN, 1-3/4 X 16-1/2	2
27	162056	BAR WELDMENT, LIFT ARM	1
28	162788	SPRING ROD, G/N LIFT ARM	2
29	106945	WASHER, G/N LIFT	4
30	171680	GOOSENECK WELDMENT 12'-5"	1
	171686	GOOSENECK WELDMENT 10'-9"	1
31	2-181-010001	HOSE CLAMP	AR
32	2-720-010007	INNER SPRING	4
33	2062-10-8S	ADAPTER, 90	4
34	3-238-010007	CYLINDER, AIR 1-3/4	REF
35	3-720-010075	SPRING EXTENSION 7/8 X 6	1
36	5210	FITTING, GREASE 1/4-28 X 45	4
37	622-3511-008	WASHER, FLAT 3/4 MIL-CARB	2
38	164897	DECAL, 855 CONTROLS	1
39	105282	DECAL, 825 DETACH PROCEDURE	1
40	105283	DECAL, 825 HOOKUP PROCEDURE	1
41	2-720-010006	OUTER SPRING	4
42	169372	KINGPIN WELDMENT, DROP-IN 2"	1
43	516-22PTL	RETAINING PIN, MUD FLAP	2

ILLUSTRATED PARTS LIST

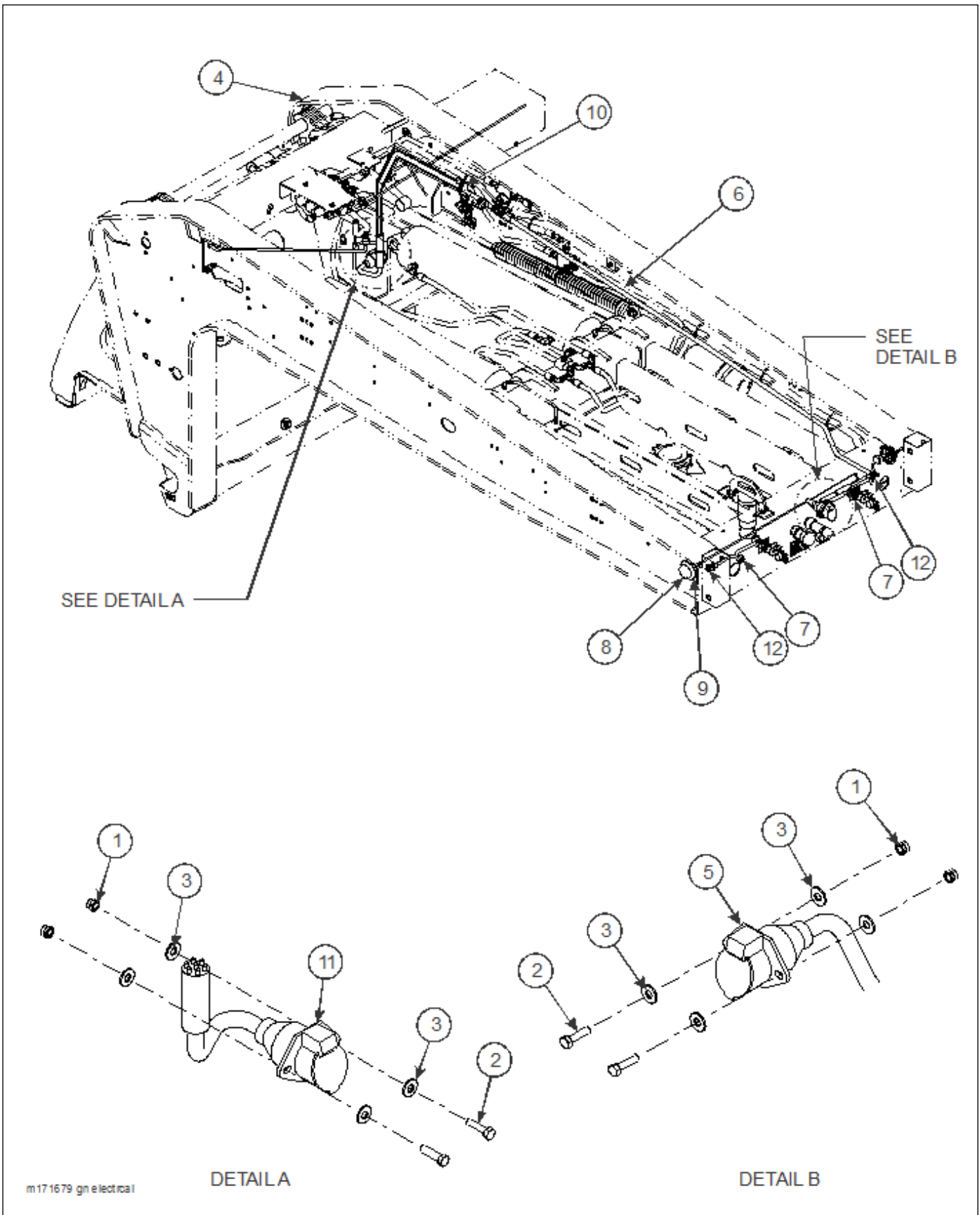


Figure 2-6: Gooseneck Electrical System (855C)

GOOSENECK ELECTRICAL SYSTEM (855C)

ITEM	PART NO.	DESCRIPTION	QTY.
	171679	GOOSENECK ASSEMBLY, 12'-5" (855C)	
	171685	GOOSENECK ASSEMBLY, 10'-9" (855C)	
1	1-512-010005-03	NUT, HEX LOCK 5/16-18 GRB	4
2	1-654-010049-06	SCREW, HEX HEAD CAP 5/16-18 X 1-1/4 GR5	4
3	1-861-010032-09	WASHER, FLAT 5/16W	4
4	-----	GOOSENECK WELDMENT	REF
5	143100	HARNESS, 7 WAY RECEPTACLE	1
6	143101	HARNESS, FRONT MAIN	1
7	143105	HARNESS, MARKER FRONT CORNER	2
8	143109	LIGHT, YELLOW LED 2.5 CL/MARKER	4
9	143110	GROMMET, 2.5 SURFACE MOUNT	4
10	143121	DUMMY PLUG MALE/FEM BULLET	REF
11	146897	HARNESS, 7 WAY RECP REAR GROTE	1
12	168524	DUMMY PLUG MARKER HARNESS	2

ILLUSTRATED PARTS LIST

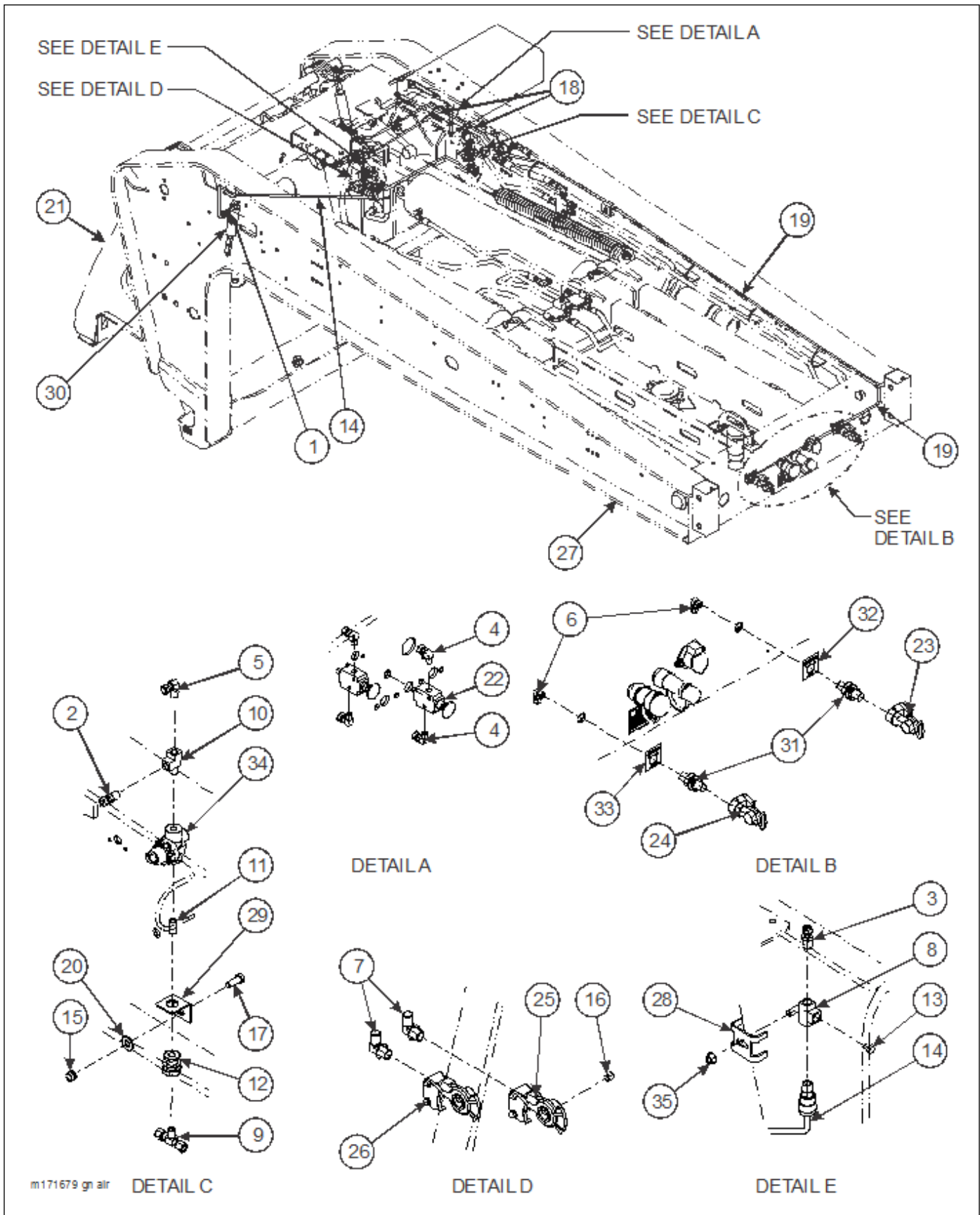


Figure 2-7: Gooseneck Air System (855C)

GOOSENECK AIR SYSTEM (855C)

ITEM	PART NO.	DESCRIPTION	QTY.
	171679	GOOSENECK ASSEMBLY, 12'-5" (855C)	
	171685	GOOSENECK ASSEMBLY, 10'-9" (855C)	
1	1-297-010004-04	FITTING, BRASS PIPE ADAPTER	1
2	1-297-010007-05	FITTING, AIR	1
3	1-297-010007-06	FITTING, AIR	1
4	1-297-010008-05	FITTING, AIR 90	4
5	1-297-010008-07	FITTING, AIR 90	2
6	1-297-010008-18	FITTING, AIR 90	1
7	1-297-010008-20	FITTING, AIR 90	2
8	1-297-010009-03	FITTING, AIR PIPE TEE	1
9	1-297-010015-06	FITTING, AIR, BRASS TEE	1
10	1-297-010018-02	FITTING, BRASS PIPE ST TEE	1
11	1-297-010020-02	FITTING, AIR ANCHOR CL NIP	1
12	1-297-010022-02	FITTING, AIR ANCHOR COUPLING	1
13	1-297-010033-03	FITTING, BRASS PLUG HEX	1
14	1-384-010038060	HOSE, AIR 3/8 X 60	1
15	1-512-010005-05	NUT, HEX LOCK 3/8-16 GRB	1
16	1-560-010002-02	PLUG, PIPE 1/4	1
17	1-654-010051-05	SCREW, HEX HEAD CAP 3/8-16 X 1 GR5	1
18	1-833-010001	TUBING, NYLON 1/4	AR
19	1-833-010002	TUBING, NYLON 3/8	AR
20	1-861-010032-11	WASHER, FLAT 3/8W	1
21	160396	CARRIER WELDMENT	REF
22	107887	VALVE, AIR PUSH BUTTON	2
23	108801	GLAD HAND, RED AIR	1
24	108802	GLAD HAND, BLUE AIR	1
25	117838	GLAD HAND W/ SHUTOFF EMERGENCY	1
26	117839	GLAD HAND W/ SHUTOFF SERVICE	1
27	-----	GOOSENECK WELDMENT	REF
28	138814	HOSE CLAMP, NOTCHED	1
29	3-120-010445	BRACKET, PRESSURE REGULATOR	1
30	3-238-010007	CYLINDER, AIR 1-3/4 BORE	2
31	55B61	FRAME UNION	2
32	55B61-6	TAG EMERGENCY LINE	1
33	55B61-7	TAG SERVICE LINE	1
34	905-54-107	BRAKE PROTECTION VALVE	1
35	1-510-010001	NUT, FLANGE HEAD SERRATED 3/8-16	1

ILLUSTRATED PARTS LIST

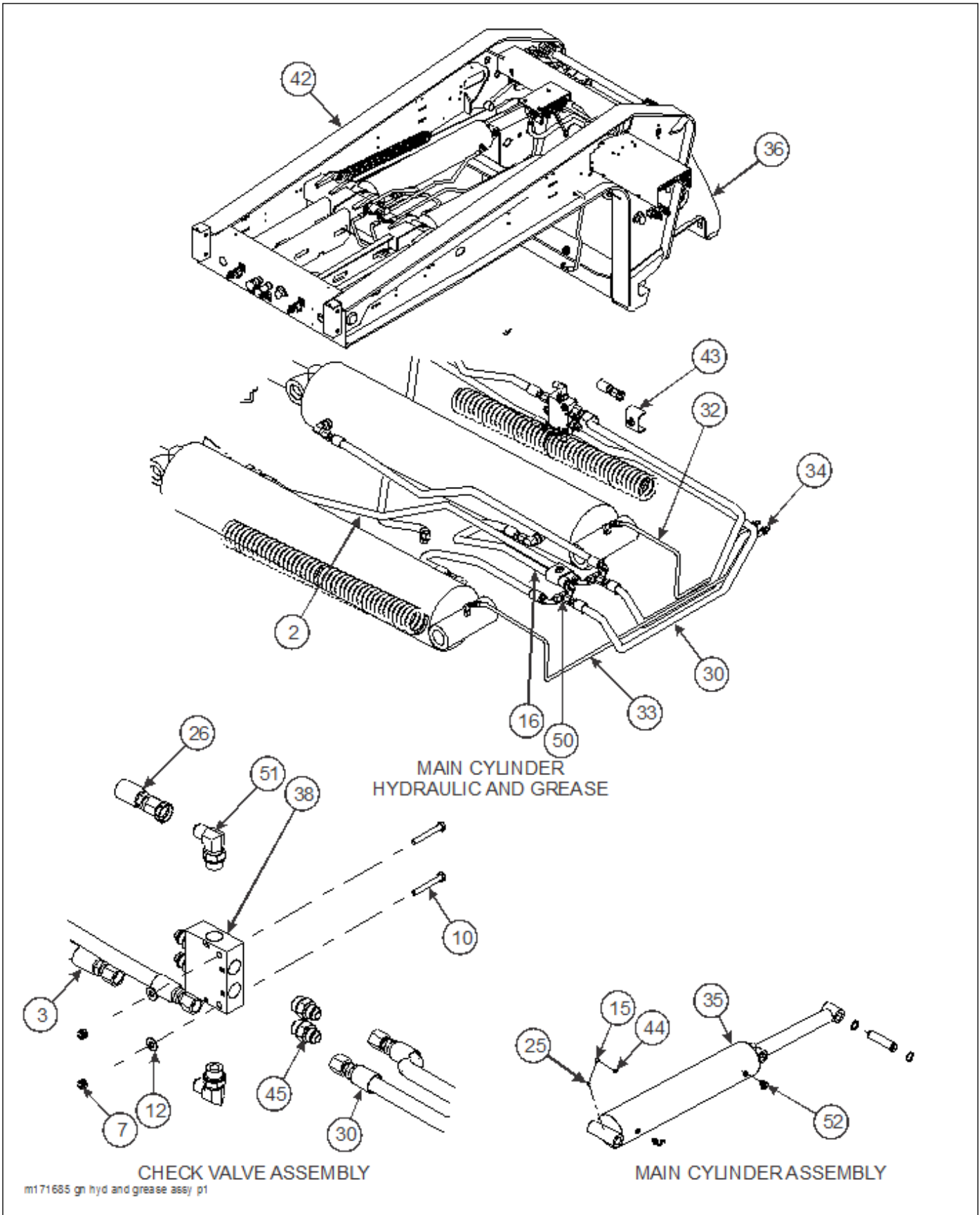
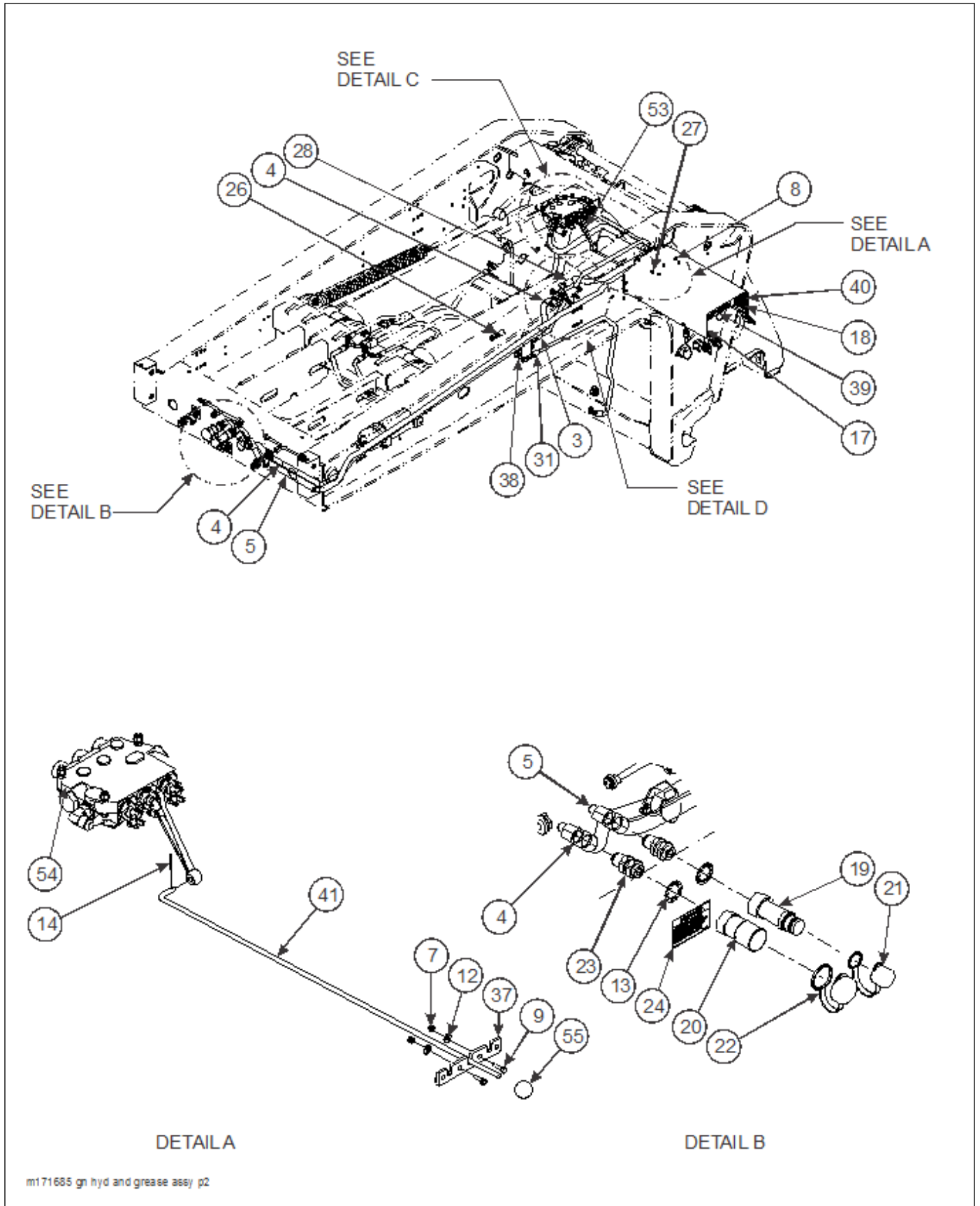


Figure 2-8: Gooseneck Hydraulic System (855C) (1 of 3)



m171685 gn hyd and grease assy p2

Figure 2-9: Gooseneck Hydraulic System (855C) (2 of 3)

ILLUSTRATED PARTS LIST

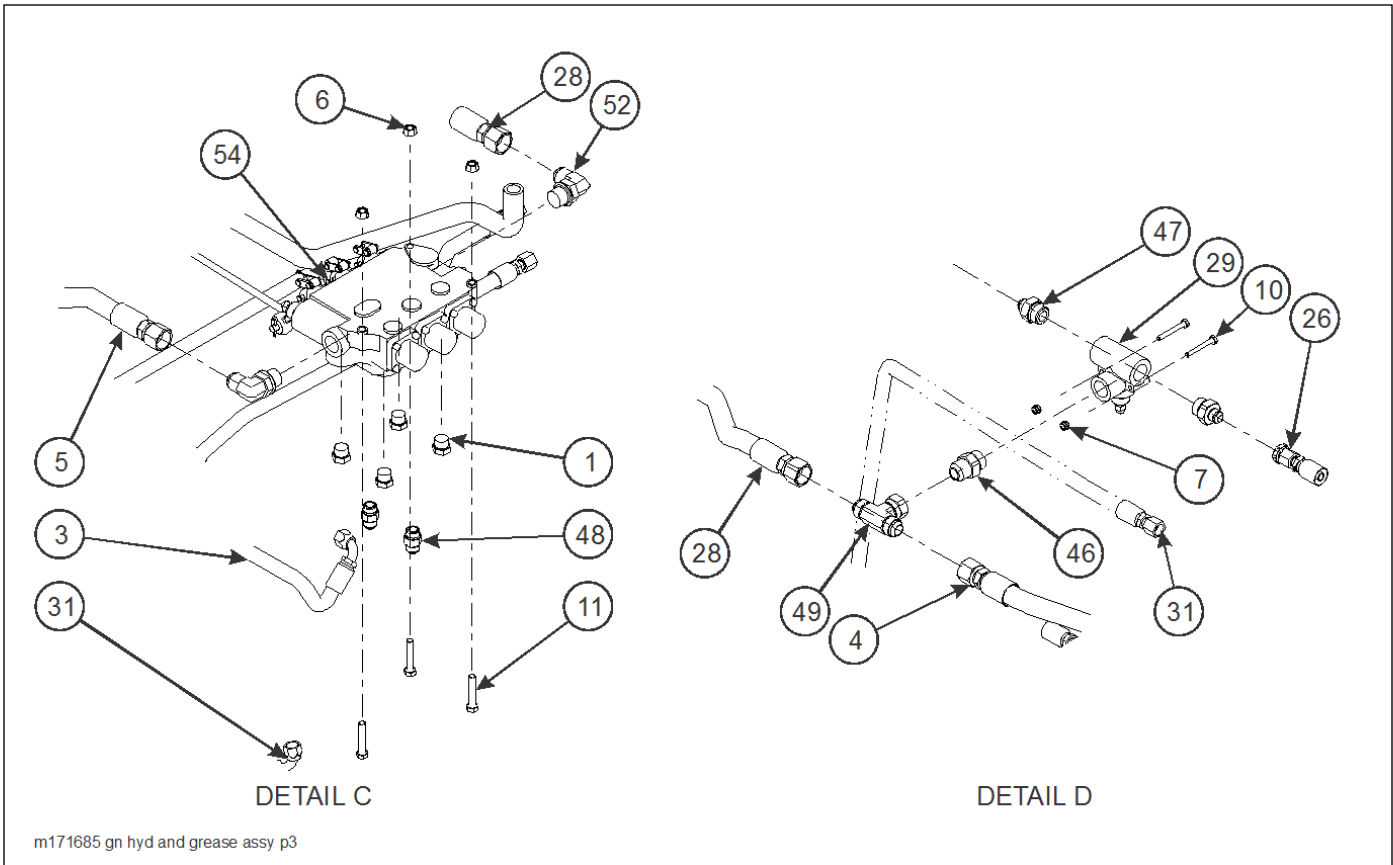


Figure 2-10: Gooseneck Hydraulic System (855C) (3 of 3)

GOSENECK HYDRAULIC SYSTEM (855C)

ITEM	PART NO.	DESCRIPTION	QTY.
	171679	GOSENECK ASSEMBLY, 12'-5" (855C)	
	171685	GOSENECK ASSEMBLY, 10'-9" (855C)	
1	1-007-010025	PLUG, O-RING 3/4-16	4
2	1-397-010302050	HOSE ASSEMBLY 1/2 X 50	2
3	1-397-010302068	HOSE ASSEMBLY, 1/2 X 68	1
4	116536	HOSE ASSEMBLY 3/4 X 120 (171679)	1
	1-397-010305102	HOSE ASSEMBLY 3/4 X 102 (171685)	1
5	163796	HOSE ASSEMBLY 3/4 X 160 (171679)	1
	1-397-010305145	HOSE ASSEMBLY 3/4 X 145 (171685)	1
6	1-510-010001	NUT, FLANGE HEAD SERRATED 3/8-16	3
7	1-512-010005-01	NUT, HEX LOCK 1/4-20 GRB	2
8	1-654-010047-03	SCREW, HEX HEAD CAP 1/4-20 X 5/8 GR5	2
9	1-654-010047-06	SCREW, HEX HEAD CAP 1/4-20 X 1 GR5	2
10	1-654-010047-10	SCREW, HEX HEAD CAP 1/4-20 X 2 GR5	4
11	1-654-010051-09	SCREW, HEX HEAD CAP 3/8-16 X 2 GR5	3
12	1-861-010032-07	WASHER, FLAT 1/4W	2
13	1-861-010059-21	WASHER, LOCKING INT TOOTH 1-1/8	2
14	101386	PIN, COTTER 1/8 X 1	1
15	101528	ELBOW, BRASS PIPE STREET	2
16	105274	HOSE ASSEMBLY 1/2 X 34	2
17	105282	DECAL, DETACH PROCEDURE	1
18	105283	DECAL, HOOKUP PROCEDURE	1

GOOSENECK HYDRAULIC SYSTEM (855C)

ITEM	PART NO.	DESCRIPTION	QTY.
19	105479	COUPLER, FLAT FACE MALE NOSE	1
20	105480	COUPLER, FLAT FACE FEMALE BODY	1
21	105481	COUPLER, DUST CAP MALE	1
22	105482	COUPLER, DUST CAP FEMALE	1
23	105483	ADAPTER, BULKHEAD	2
24	105822	DECAL, HYD COUPLER	1
25	121355	ELBOW, 90	2
26	123968	HOSE ASSEMBLY 1/2 X 14	1
27	125894	CLAMP, CABLE 5/8 SST	5
28	134901	HOSE ASSEMBLY 3/4 X 83	1
29	138712	VALVE, HYDRAULIC PRESSURE RELIEF 1500	1
30	1406044	HOSE ASSEMBLY, 1/2 X 60	2
31	1413916	HOSE ASSEMBLY 1/2 X 54	1
32	142441	HOSE ASSEMBLY, GREASE 1/4 X 45	1
33	142465	HOSE ASSEMBLY, GREASE 1/4 X 67	1
34	142545	NUT, HEX JAM 1/4-28	2
35	160366	CYLINDER, HYDRAULIC 7" X 34" (SEE PAGE 2-32 OR 2-33)	2
36	160396	CARRIER WELDMENT	1
37	163351	GUIDE ROD	1
38	164435	VALVE, COUNTERBALANCE	1
39	168517	PLATE, BASE CONTROL BOX	1
40	168519	PLATE, TOP CONTROL BOX	1
41	171678	HANDLE EXTENSION	1
42	171680	GOOSENECK WELDMENT 12'-5"	REF
	171686	GOOSENECK WELDMENT 10'-9"	REF
43	2-181-010001	HOSE CLAMP	3
44	2024-2-4S	ADAPTER, ELBOW	2
45	202702-10-8S	ADAPTER	2
46	202702-12-12S	ADAPTER, STR	1
47	202702-12-8S	ADAPTER, STR	1
48	202702-8-8S	ADAPTER, STR	1
49	203101-12-12S	ADAPTER TEE SWIVEL	1
50	2033-8-8S	ADAPTER TEE	2
51	2062-10-8S	ADAPTER, 90	4
52	2062-12-12S	ADAPTER, 90	2
53	3-360-010008	VALVE, HANDLE MODIFICATION	1
54	3-846-010159	VALVE, 3 SPOOL 2500 PSI (SEE PAGE 2-31)	1
55	95	KNOB	1

*SET AT 500 PSI TO PREVENT LIFT ARM FROM OVERLOADING REAR SUPPORT X-MEMBER OR TRACTOR

ILLUSTRATED PARTS LIST

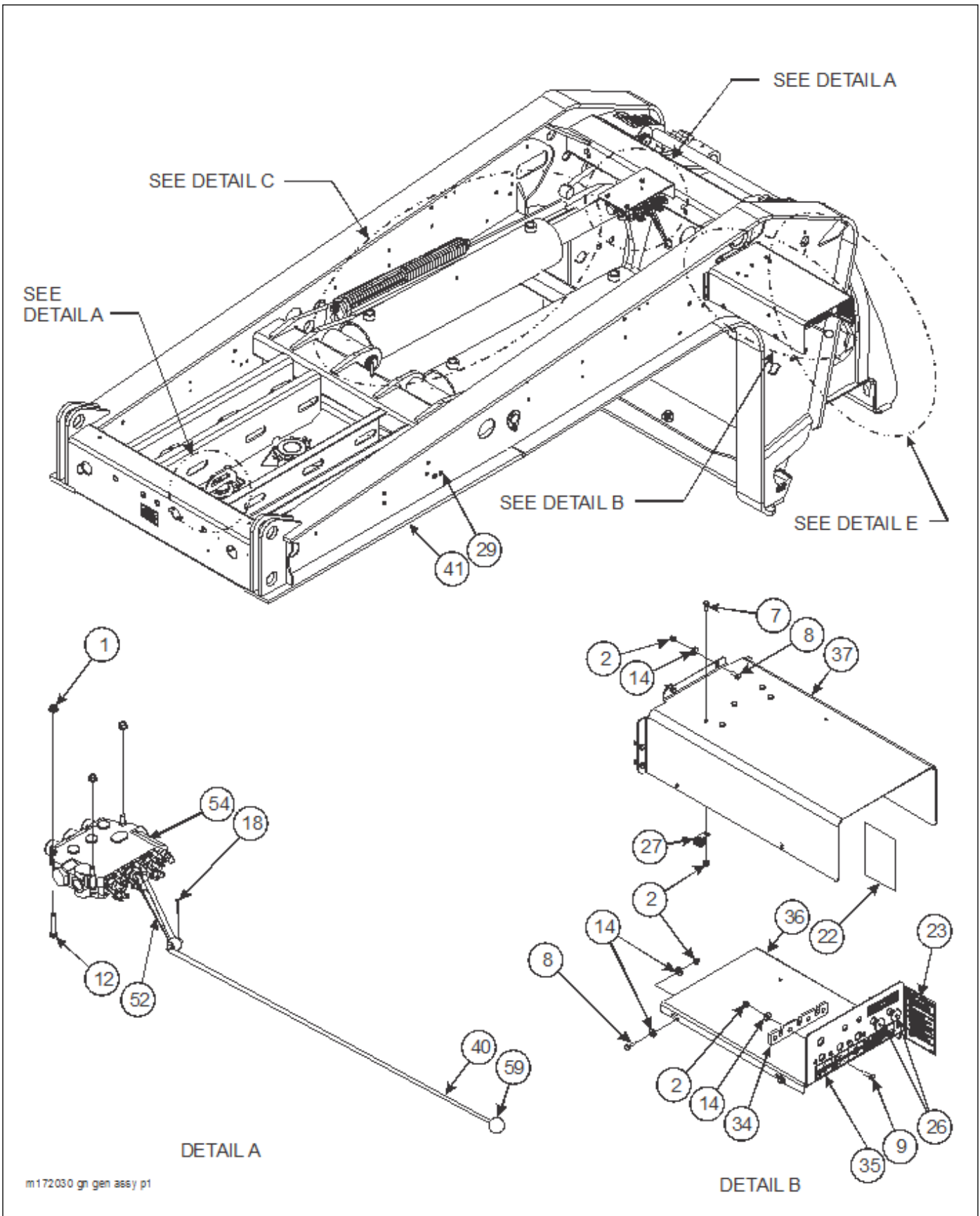


Figure 2-11: Gooseneck General Assembly (855 HD) (1 of 2)

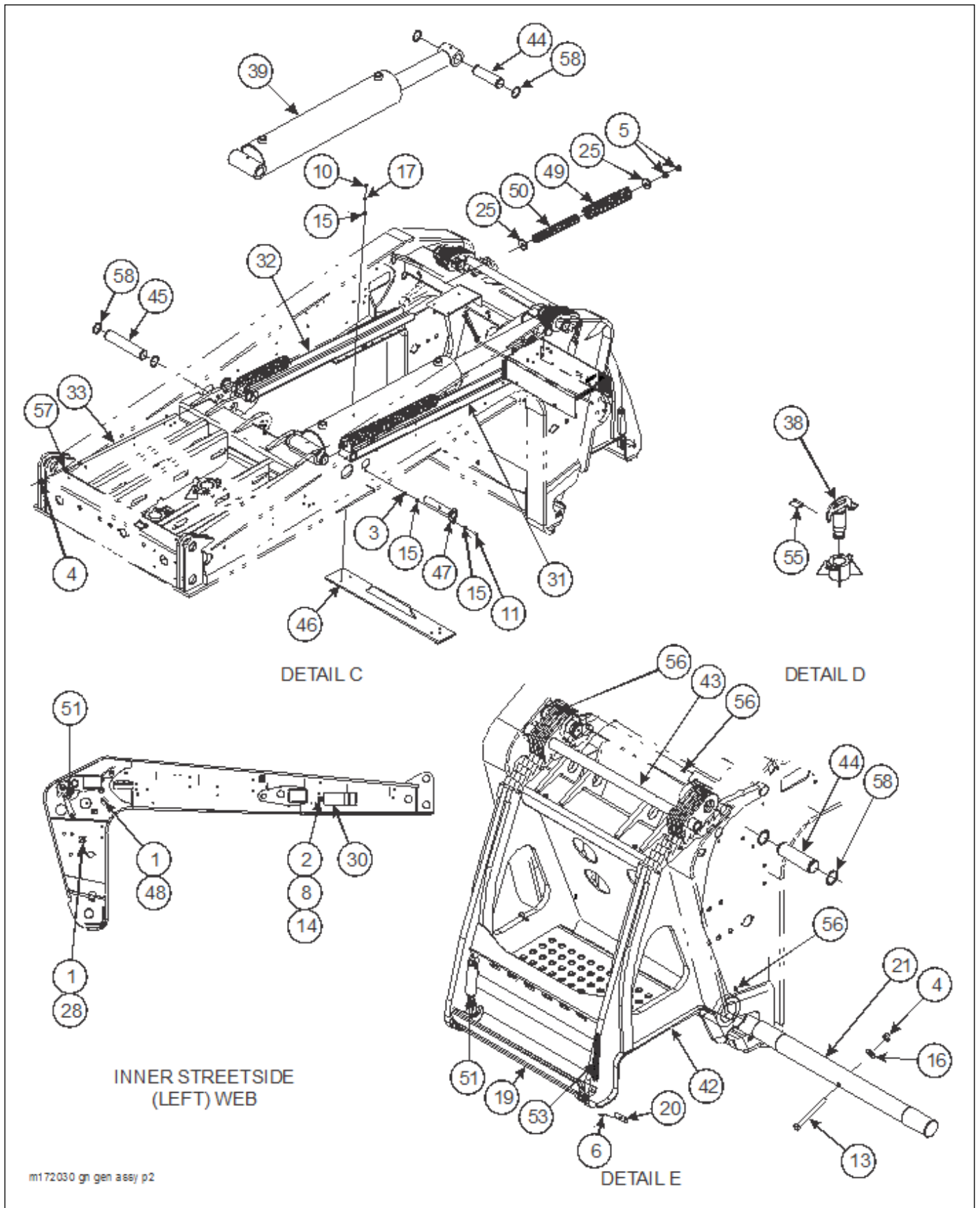


Figure 2-12: Gooseneck General Assembly (855 HD) (2 of 2)

ILLUSTRATED PARTS LIST

GOOSENECK GENERAL ASSEMBLY (855 HD)

ITEM	PART NO.	DESCRIPTION	QTY.
	172030	GOOSENECK ASSEMBLY (855 HD)	
1	1-510-010001	NUT, FLANGE HEAD SERRATED 3/8-16	AR
2	1-512-010005-01	NUT, HEX LOCK 1/4-20 GRB	2
3	1-512-010005-05	NUT, HEX LOCK 3/8-16 GRB	3
4	1-512-010005-15	NUT, HEX LOCK 3/4-10 GRB	3
5	1-512-010007-12	NUT, HEX 3/4-10 GRB	4
6	1-647-010004221	ROLL PIN, SLOTTED 1/4 X 2	2
7	1-654-010047-03	SCREW, HEX HEAD CAP 1/4-20 X 5/8 GR5	3
8	1-654-010047-05	SCREW, HEX HEAD CAP 1/4-20 X 7/8 GR5	3
9	1-654-010047-06	SCREW, HEX HEAD CAP 1/4-20 X 1 GR5	3
10	1-654-010051-05	SCREW, HEX HEAD CAP 3/8-16 X 1 GR5	5
11	1-654-010051-06	SCREW, HEX HEAD CAP 3/8-16 X 1-1/4 GR5	5
12	1-654-010051-09	SCREW, HEX HEAD CAP 3/8-16 X 2 GR5	5
13	1-654-010061-20	SCREW, HEX HEAD CAP 3/4-10 X 7-1/2 GR5	1
14	1-861-010032-07	WASHER, FLAT 1/4W	5
15	1-861-010032-11	WASHER, FLAT 3/8W	5
16	1-861-010032-21	WASHER, FLAT 3/4W	1
17	1-861-010034-11	WASHER, SPLIT LOCK 3/8	4
18	101386	PIN, COTTER 1/8 X 1	1
19	105237	LATCH, WELDMENT G/N LOWER	1
20	105243	PIN, LOWER G/N LATCH	2
21	105245	PIN, G/N TO CARRIER	1
22	105282	DECAL, 825 DETACH PROCEDURE	1
23	105283	DECAL, 825 HOOKUP PROCEDURE	1
24	105822	DECAL, HYD COUPLER	1
25	106945	WASHER, G/N LIFT	4
26	107887	VALVE, AIR PUSH BUTTON	2
27	125894	CLAMP, CABLE 5/8 SST	5
28	138814	HOSE CLAMP, NOTCHED	1
29	142545	NUT, HEX JAM 1/4-28	2
30	150076	MANUAL HOLDER	1
31	161165	LIFT G/N WELDMENT, LH CHANNEL	1
32	161168	LIFT G/N WELDMENT, RH CHANNEL	1
33	162788	SPRING ROD, G/N LIFT ARM	2
34	163351	GUIDE ROD	1
35	164897	DECAL, 855 CONTROLS	1
36	168517	PLATE, BASE CONTROL BOX	1
37	168519	PLATE, TOP CONTROL BOX	1
38	169372	KINGPIN WELDMENT, DROP-IN 2"	1
39	170421	CYLINDER, HYDRAULIC 8 X 36 (SEE PAGE 2-34)	2
40	171678	HANDLE EXTENSION	1
41	172031	GOOSENECK WELDMENT	1
42	172354	CARRIER WELDMENT	1
43	172362	LATCH WELDMENT, G/N UPPER	1
44	172365	PIN, 2-1/2 SHORT	4
45	172366	PIN, 2-1/2 LONG	2
46	172374	BAR WELDMENT, LIFT ARM	1
47	172389	PIN WELDMENT, G/N SUPPORT	2
48	2-181-010001	HOSE CLAMP	AR

GOOSENECK GENERAL ASSEMBLY (855 HD)

ITEM	PART NO.	DESCRIPTION	QTY.
49	2-720-010006	OUTER SPRING	4
50	2-720-010007	INNER SPRING	4
51	3-238-010007	CYLINDER, AIR 1-3/4	REF
52	3-360-010008	VALVE, HANDLE MODIFICATION	1
53	3-720-010075	SPRING EXTENSION 7/8 X 6	1
54	3-846-010159	VALVE, 3 SPOOL 2500 PSI (SEE PAGE 2-31)	1
55	516-22PTL	RETAINING PIN, MUD FLAP	2
56	5210	FITTING, GREASE 1/4-28 X 45	4
57	622-3511-008	WASHER, FLAT 3/4 MIL-CARB	2
58	9-630-010009	RING, RETAINING EXTERNAL	12
59	95	KNOB	1

ILLUSTRATED PARTS LIST

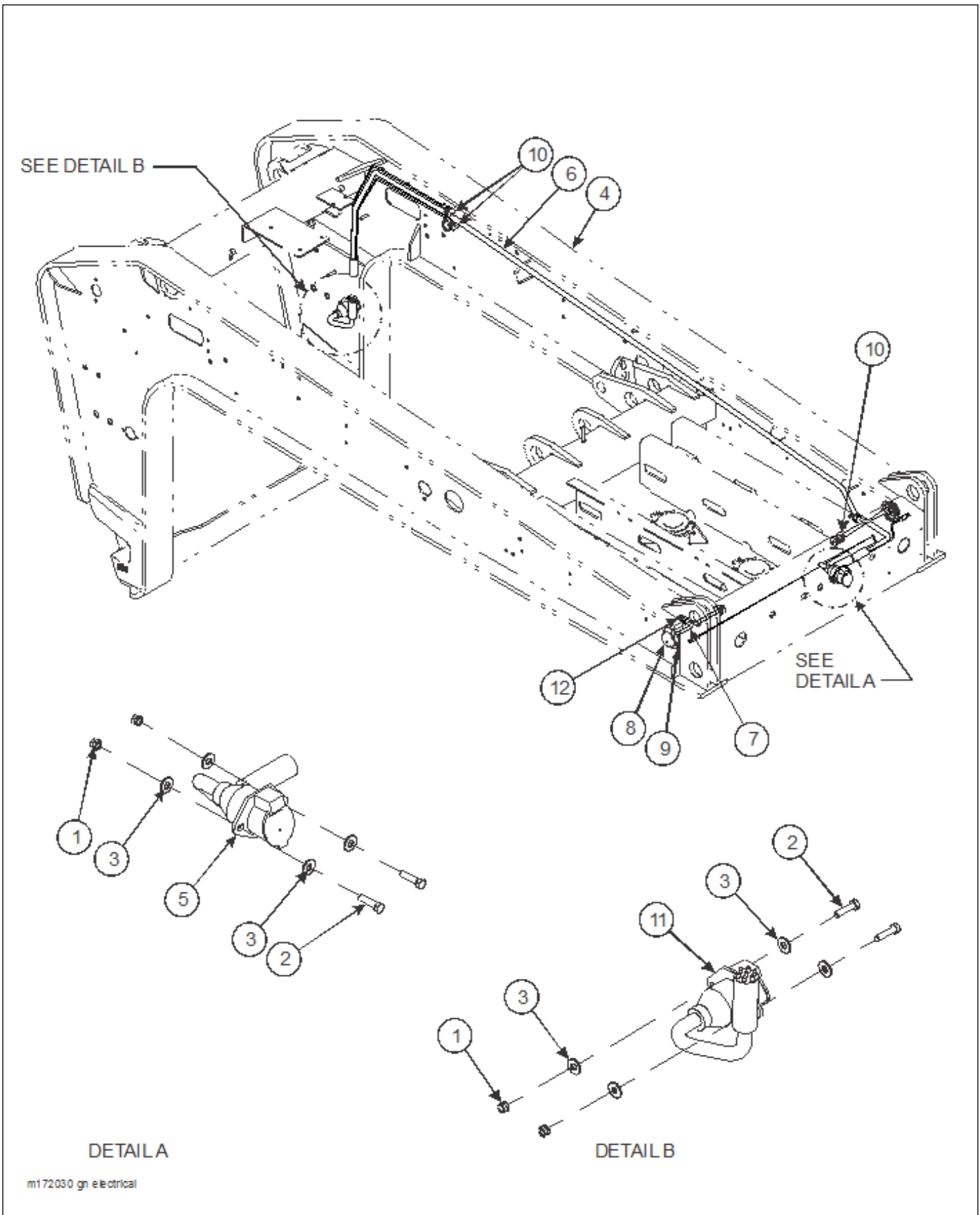
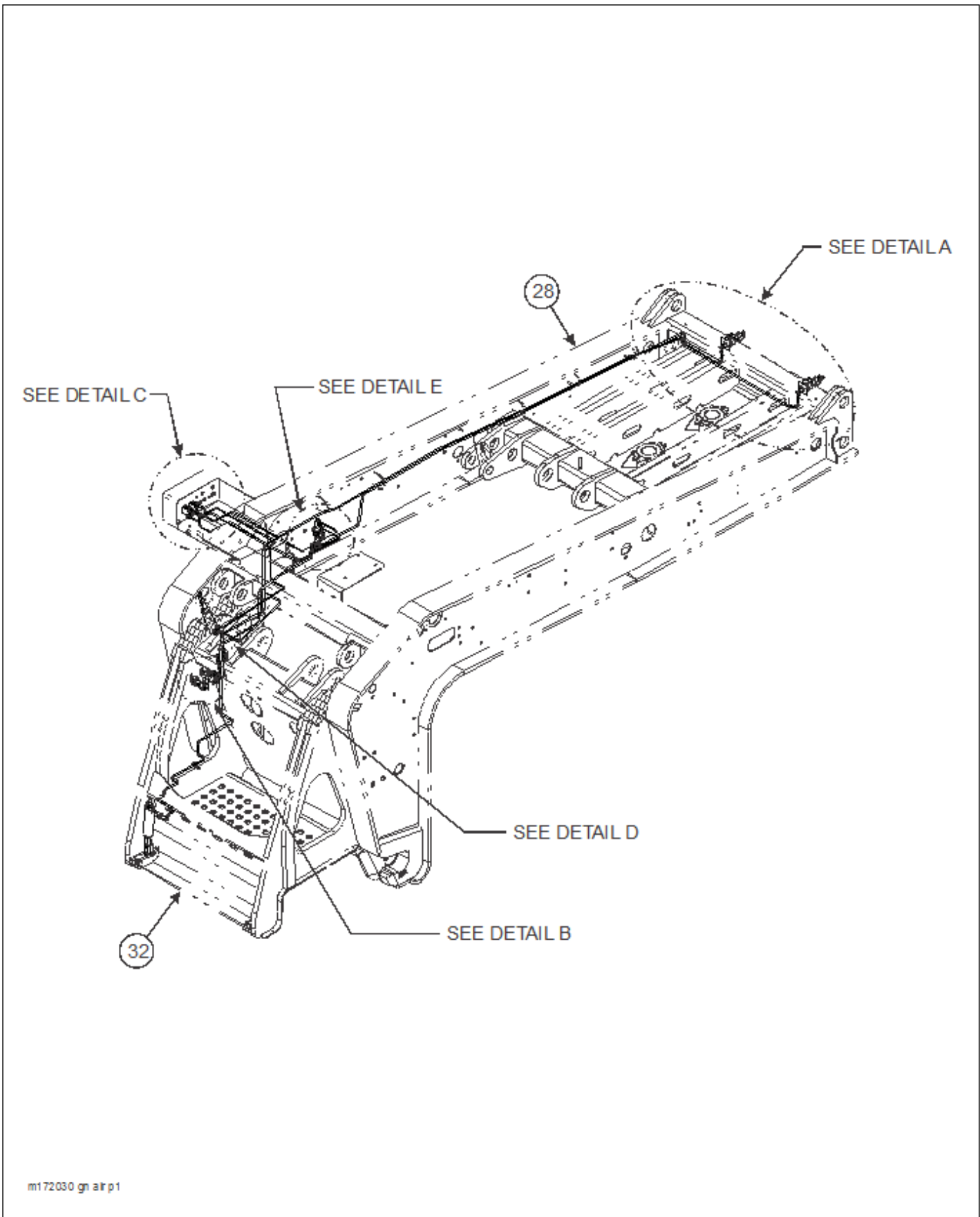


Figure 2-13: Gooseneck Electrical System (855 HD)

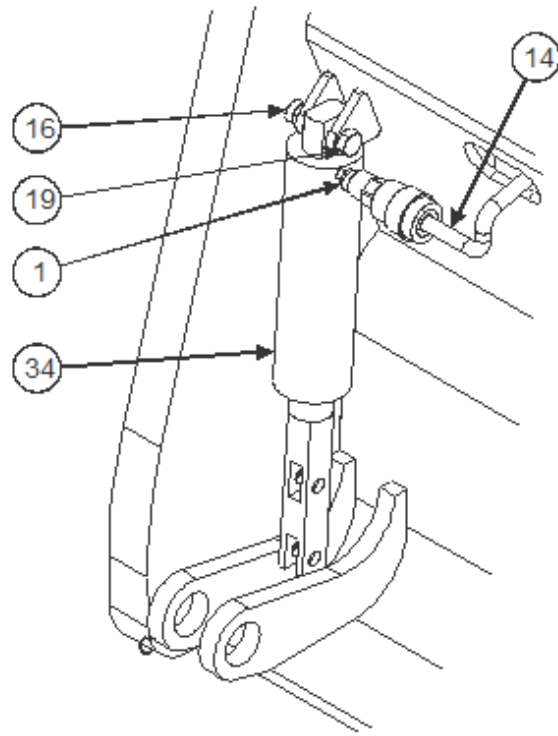
GOOSENECK ELECTRICAL SYSTEM (855 HD)

ITEM	PART NO.	DESCRIPTION	QTY.
	172030	GOOSENECK ASSEMBLY (855 HD)	
1	1-512-010005-03	NUT, HEX LOCK 5/16-18 GRB	4
2	1-654-010049-06	SCREW, HEX HEAD CAP 5/16-18 X 1-1/4 GR5	4
3	1-861-010032-09	WASHER, FLAT 5/16W	4
4	-----	GOOSENECK WELDMENT	REF
5	143100	HARNESS, 7 WAY RECEPTACLE	1
6	143101	HARNESS, FRONT MAIN	1
7	143105	HARNESS, MARKER FRONT CORNER	2
8	143109	LIGHT, YELLOW LED 2.5 CL/MARKER	4
9	143110	GROMMET, 2.5 SURFACE MOUNT	4
10	143121	DUMMY PLUG MALE/FEM BULLET	REF
11	146897	HARNESS, 7 WAY RECP REAR GROTE	1
12	168524	DUMMY PLUG MARKER HARNESS	2

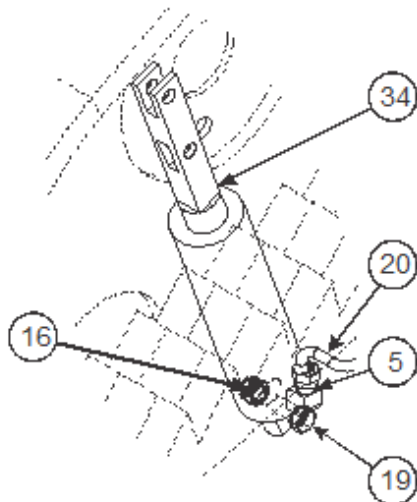


m172050 gn air p1

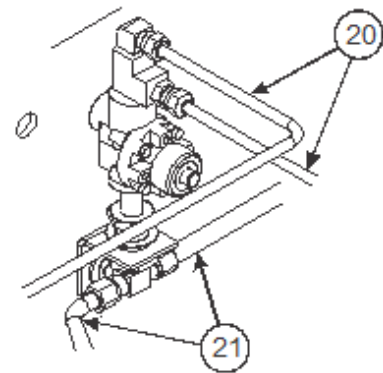
Figure 2-14: Gooseneck Air System (855 HD) (1 of 3)



CARRIER LOCK CYLINDER ASSEMBLY



LOAD RATCHET CYLINDER ASSEMBLY



BRAKE PROTECTION VALVE ASSEMBLY

m172030 gn air p2

Figure 2-15: Gooseneck Air System (855 HD) (2 of 3)

ILLUSTRATED PARTS LIST

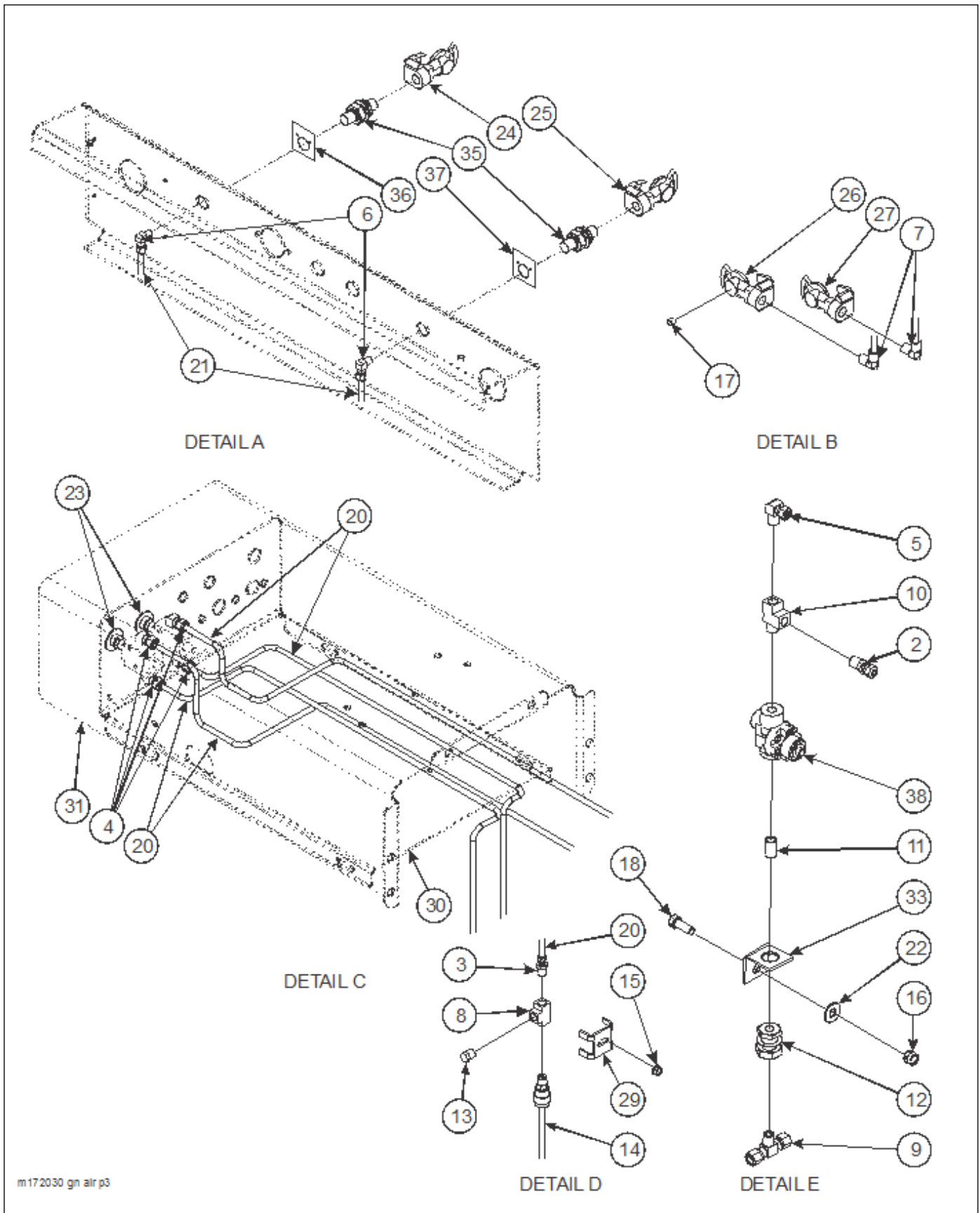


Figure 2-16: Gooseneck Air System (855 HD) (3 of 3)

GOOSENECK AIR SYSTEM (855 HD)

ITEM	PART NO.	DESCRIPTION	QTY.
	172030	GOOSENECK ASSEMBLY (855 HD)	
1	1-297-010004-04	FITTING, BRASS PIPE ADAPTER	1
2	1-297-010007-05	FITTING, AIR	1
3	1-297-010007-06	FITTING, AIR	1
4	1-297-010008-05	FITTING, AIR 90	4
5	1-297-010008-07	FITTING, AIR 90	2
6	1-297-010008-18	FITTING, AIR 90	1
7	1-297-010008-20	FITTING, AIR 90	2
8	1-297-010009-03	FITTING, AIR PIPE TEE	1
9	1-297-010015-06	FITTING, AIR, BRASS TEE	1
10	1-297-010018-02	FITTING, BRASS PIPE ST TEE	1
11	1-297-010020-02	FITTING, AIR ANCHOR CL NIP	1
12	1-297-010022-02	FITTING, AIR ANCHOR COUPLING	1
13	1-297-010033-03	FITTING, BRASS PLUG HEX	1
14	1-384-010038060	HOSE, AIR 3/8 X 60	1
15	1-510-010001	NUT, FLANGE HEAD SERRATED 3/8-16	AR
16	1-512-010005-05	NUT, HEX LOCK 3/8-16 GRB	1
17	1-560-010002-02	PLUG, PIPE 1/4	1
18	1-654-010051-05	SCREW, HEX HEAD CAP 3/8-16 X 1 GR5	1
19	1-654-010051-08	SCREW, HEX HEAD CAP 3/8-16 X 1-3/4 GR5	12
20	1-833-010001	TUBING, NYLON 1/4	AR
21	1-833-010002	TUBING, NYLON 3/8	AR
22	1-861-010032-11	WASHER, FLAT 3/8W	1
23	107887	VALVE, AIR PUSH BUTTON	2
24	108801	GLAD HAND, RED AIR	1
25	108802	GLAD HAND, BLUE AIR	1
26	117838	GLAD HAND W/ SHUTOFF EMERGENCY	1
27	117839	GLAD HAND W/ SHUTOFF SERVICE	1
28	-----	GOOSENECK WELDMENT	REF
29	138814	HOSE CLAMP, NOTCHED	1
30	168517	PLATE, BASE CONTROL BOX	1
31	168519	PLATE, TOP CONTROL BOX	1
32	172354	CARRIER WELDMENT	REF
33	3-120-010445	BRACKET, PRESSURE REGULATOR	1
34	3-238-010007	CYLINDER, AIR 1-3/4 BORE	2
35	55B61	FRAME UNION	2
36	55B61-6	TAG EMERGENCY LINE	1
37	55B61-7	TAG SERVICE LINE	1
38	905-54-107	BRAKE PROTECTION VALVE	1

ILLUSTRATED PARTS LIST

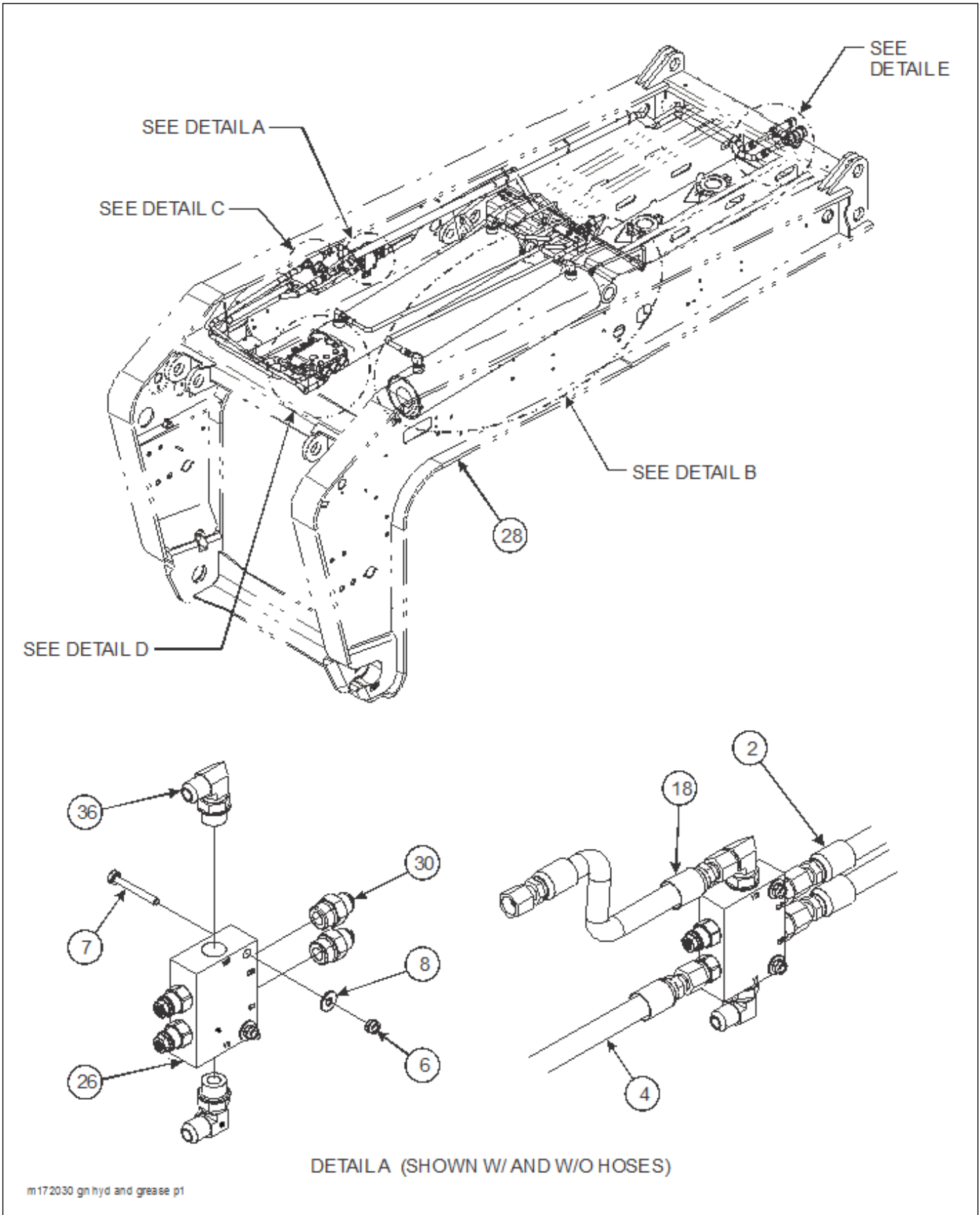
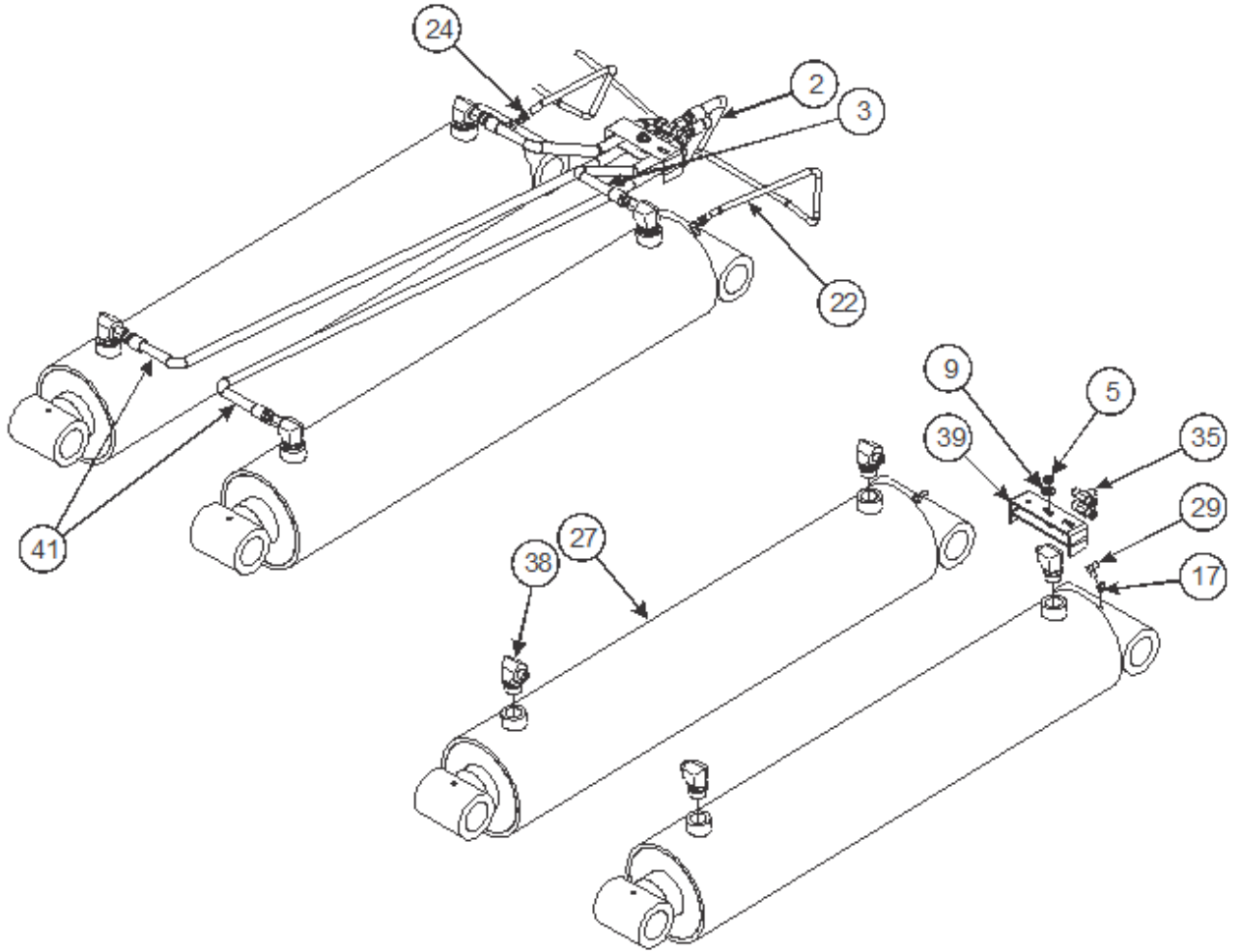
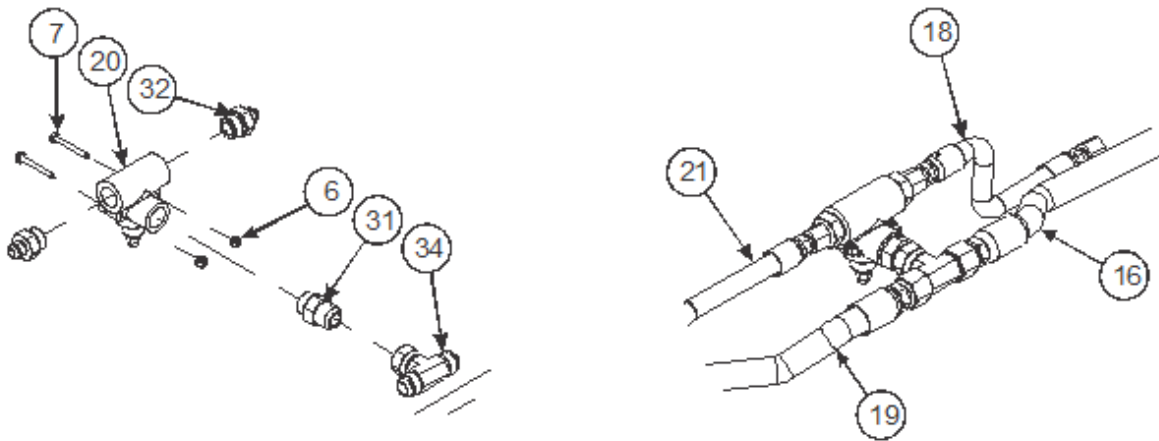


Figure 2-17: Gooseneck Hydraulic System (855 HD) (1 of 3)



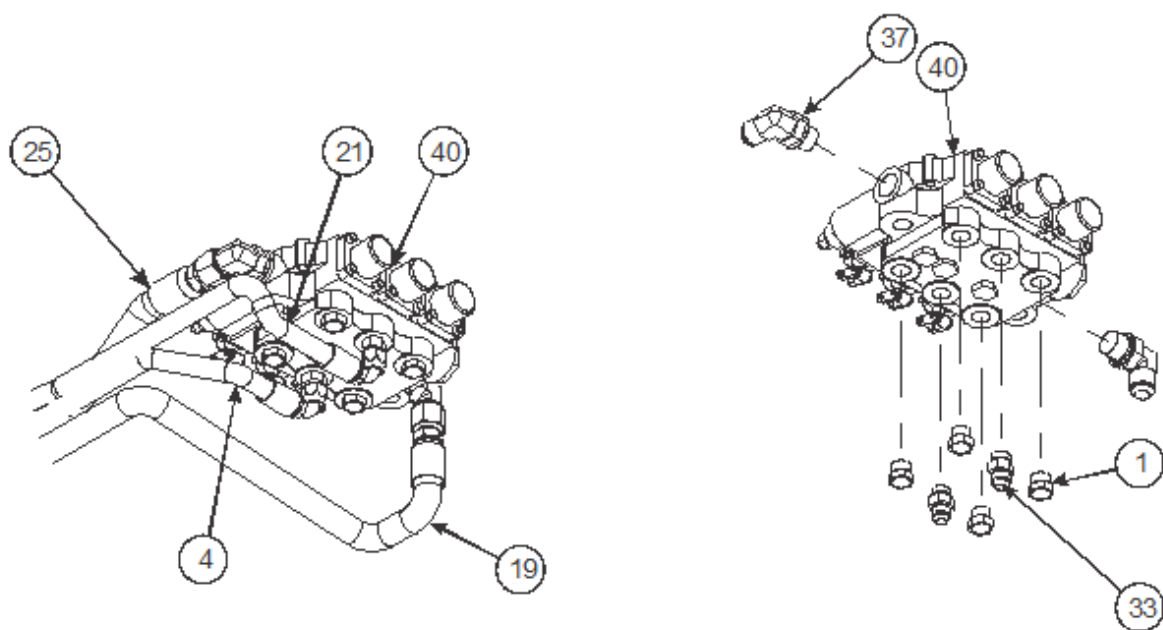
DETAIL B (SHOWN W/ AND W/O HOSES)



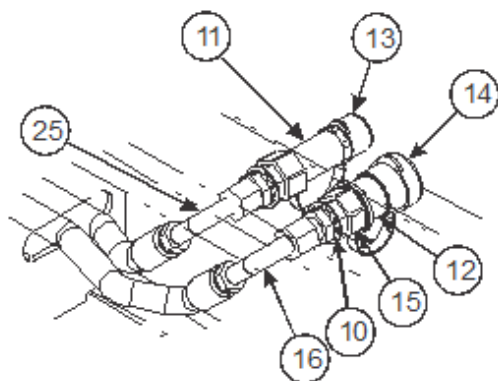
DETAIL C (SHOWN W/ AND W/O HOSES)

m172030 gn hyd and grease p2

Figure 2-18: Gooseneck Hydraulic System (855 HD) (2 of 3)



DETAIL D (SHOWN W/ AND W/O HOSES)



DETAIL E

m172030 gn hyd and grease p3

Figure 2-19: Gooseneck Hydraulic System (855 HD) (3 of 3)

GOOSENECK HYDRAULIC SYSTEM (855 HD)

ITEM	PART NO.	DESCRIPTION	QTY.
	172030	GOOSENECK ASSEMBLY (855 HD)	
1	1-007-010025	PLUG, O-RING 3/4-16	4
2	1-397-010301074	HOSE ASSEMBLY, 1/2 X 74	2
3	1-397-010302022	HOSE ASSEMBLY, 1/2 X 22	2
4	1-397-010302068	HOSE ASSEMBLY, 1/2 X 68	1
5	1-510-010001	NUT, FLANGE HEAD SERRATED 3/8-16	3
6	1-512-010005-01	NUT, HEX LOCK 1/4-20	2
7	1-654-010047-10	SCREW, HEX HEAD CAP 1/4-20 X 2 GR5	4
8	1-861-010032-07	WASHER, FLAT 1/4W	2
9	1-861-010032-11	WASHER, FLAT 3/8W	24
10	1-861-010059-21	WASHER, LOCKING INT TOOTH 1-1/8	2
11	105479	COUPLER, FLAT FACE MALE NOSE	1
12	105480	COUPLER, FLAT FACE FEMALE BODY	1
13	105481	COUPLER, DUST CAP MALE	1
14	105482	COUPLER, DUST CAP FEMALE	1
15	105483	ADAPTER, BULKHEAD	2
16	116536	HOSE ASSEMBLY 3/4 X 120	1
17	121355	ELBOW, 90	2
18	123968	HOSE ASSEMBLY 1/2 X 14	1
19	134901	HOSE ASSEMBLY 3/4 X 83	1
20	138712	VALVE, HYDRAULIC PRESSURE RELIEF 1500	1
21	1413916	HOSE ASSEMBLY 1/2 X 54	1
22	142442	HOSE ASSEMBLY, GREASE 1/4 X 60	1
23	142545	NUT, HEX JAM 1/4-28 (NOT SHOWN)	2
24	146924	HOSE ASSEMBLY, GREASE 1/4 X 36	6
25	163796	HOSE ASSEMBLY 3/4 X 160	1
26	164435	VALVE, COUNTERBALANCE	1
27	170421	CYLINDER, HYDRAULIC 8 X 36 (SEE PAGE 2-34)	2
28	172031	GOOSENECK WELDMENT	1
29	2024-2-4S	ADAPTER, ELBOW	2
30	202702-10-8S	ADAPTER	2
31	202702-12-12S	ADAPTER, STR	1
32	202702-12-8S	ADAPTER, STR	1
33	202702-8-8S	ADAPTER, STR	1
34	203101-12-12S	ADAPTER TEE SWIVEL	1
35	2033-8-8S	ADAPTER TEE	2
36	2062-10-8S	ADAPTER, 90	2
37	2062-12-12S	ADAPTER, 90	2
38	2062-16-8S	ADAPTER, 90	4
39	2-181-010001	HOSE CLAMP	3
40	3-846-010159	VALVE, 3 SPOOL 2500 PSI (SEE PAGE 2-31)	1
41	50976-32	HOSE ASSEMBLY #8 X 58	2

*SET AT 500 PSI TO PREVENT LIFT ARM FROM OVERLOADING REAR SUPPORT X-MEMBER OR TRACTOR

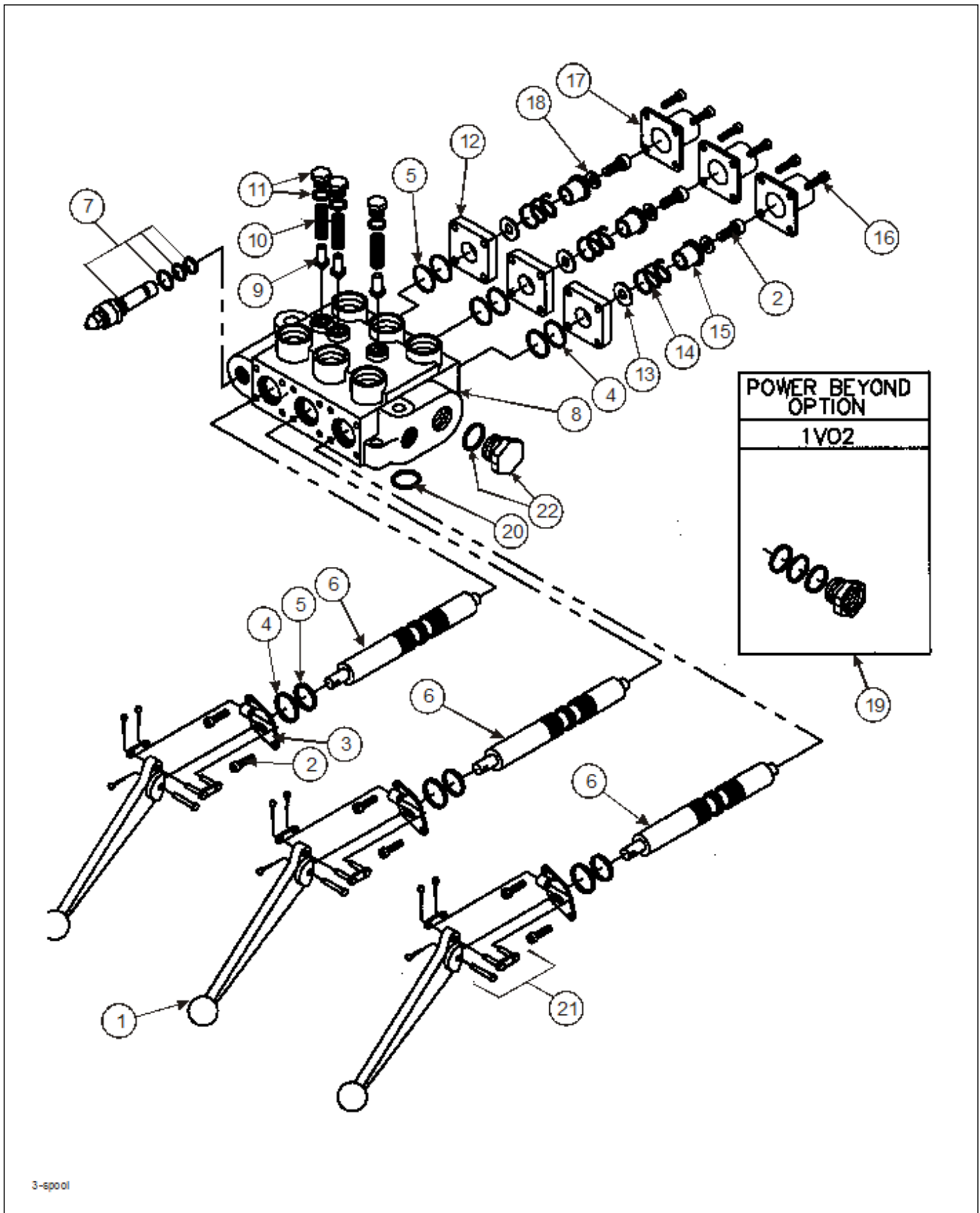


Figure 2-20: Three Spool Valve

THREE SPOOL VALVE

ITEM	PART NO.	DESCRIPTION	QTY.
	3-846-010159	VALVE ASSEMBLY, COMPLETE THREE SPOOL	
1	3-360-010008	VALVE HANDLE MODIFICATION	3
2	2A0079-404	CAP SCREW (TIGHTEN TO 7 - 11 FT.-LBS.)	9
3	4Z4306	BRACKET, HANDLE	3
4	1A0711	WASHER, O-RING SPOOL	6
5	2A0283-7214	SEAL, SPOOL	6
6*	-----	SPOOL, 4-WAY	**2
6A*	-----	MOTOR SPOOL, 4-WAY	**1
7	1R0017	RELIEF ASSEMBLY (1500 - 3000 PSI)(PRESET @ 2500 PSI)	1
8*	-----	HOUSING, VALVE	1
9	1V0081	POPPET, LOAD CHECK	3
10	1A0757	SPRING, LOAD CHECK	3
11	1V1725	PLUG, LOAD CHECK	3
12	1A0709	SPACER, END	3
13	1A0291	WASHER, STOP	3
14	1A0744	SPRING, CENTERING	3
15	1A0292	COLLAR, STOP	3
16	2A0079-406	CAP SCREW (TIGHTEN TO 7 -11 FT.-LBS.)	12
17	1A0294	CAP, END	3
18	1A0290	WASHER, CENTERING SPRING	3
19	1V0208	ADAPTER ASSEMBLY, REMOTE POWER BEYOND (CONTAINS ALL NECESSARY O-RINGS)	1
20	-----	GROMMET, RUBBER (BOTTOM OUTLET)	1
21	1V1701	PIN KIT	3
22	-----	PLUG, CONVERSION	1
	2V0010	SEAL KIT	

*NOT SOLD SEPARATELY.

** COMPONENT IS 3-SPOOL VALVE WITH 1ST STAGE MOTOR SPOOL USED IN PLANETARY WINCH APPLICATIONS.

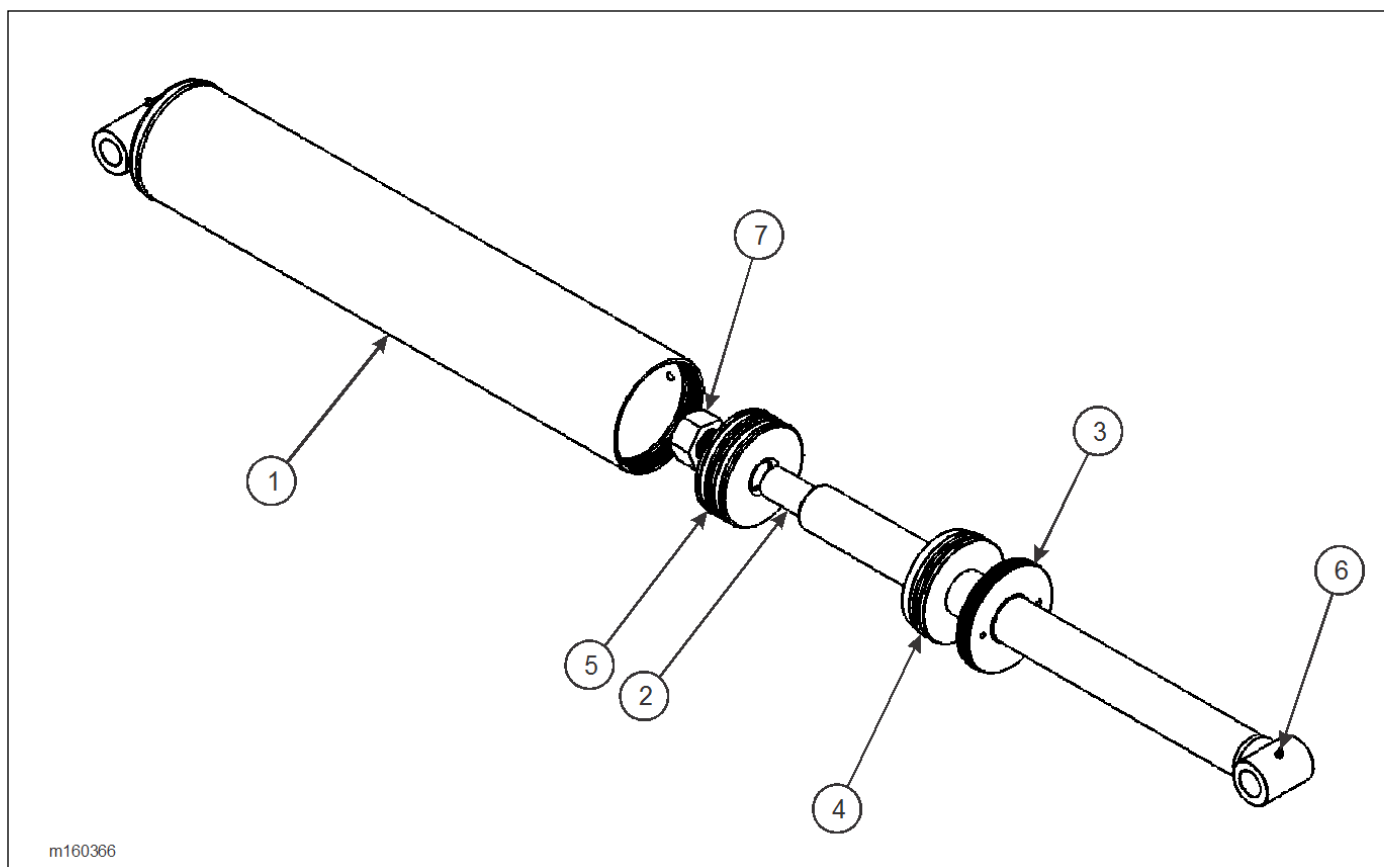


Figure 2-21: Cylinder, Hydraulic 7 x 34 (Carlson)

CYLINDER, HYDRAULIC 7 X 34 (CARLSON)

ITEM	PART NO.	DESCRIPTION	QTY.
	160366	CYLINDER HYDRAULIC 7 X 34	
1	163474	7" BARREL ASSEMBLY	1
2	163475	3" ROD ASSEMBLY	1
3	163476	7" X 3" RETAINER	1
4	163477	7" X 3" POLY-U BEARING	1
5	163478	7" 2WR/TFE PISTON	1
6	163479	1/4-20 STRAIGHT ZERK	2
7	163480	2" NYLOCK NUT	1
	163481	SEAL KIT	1

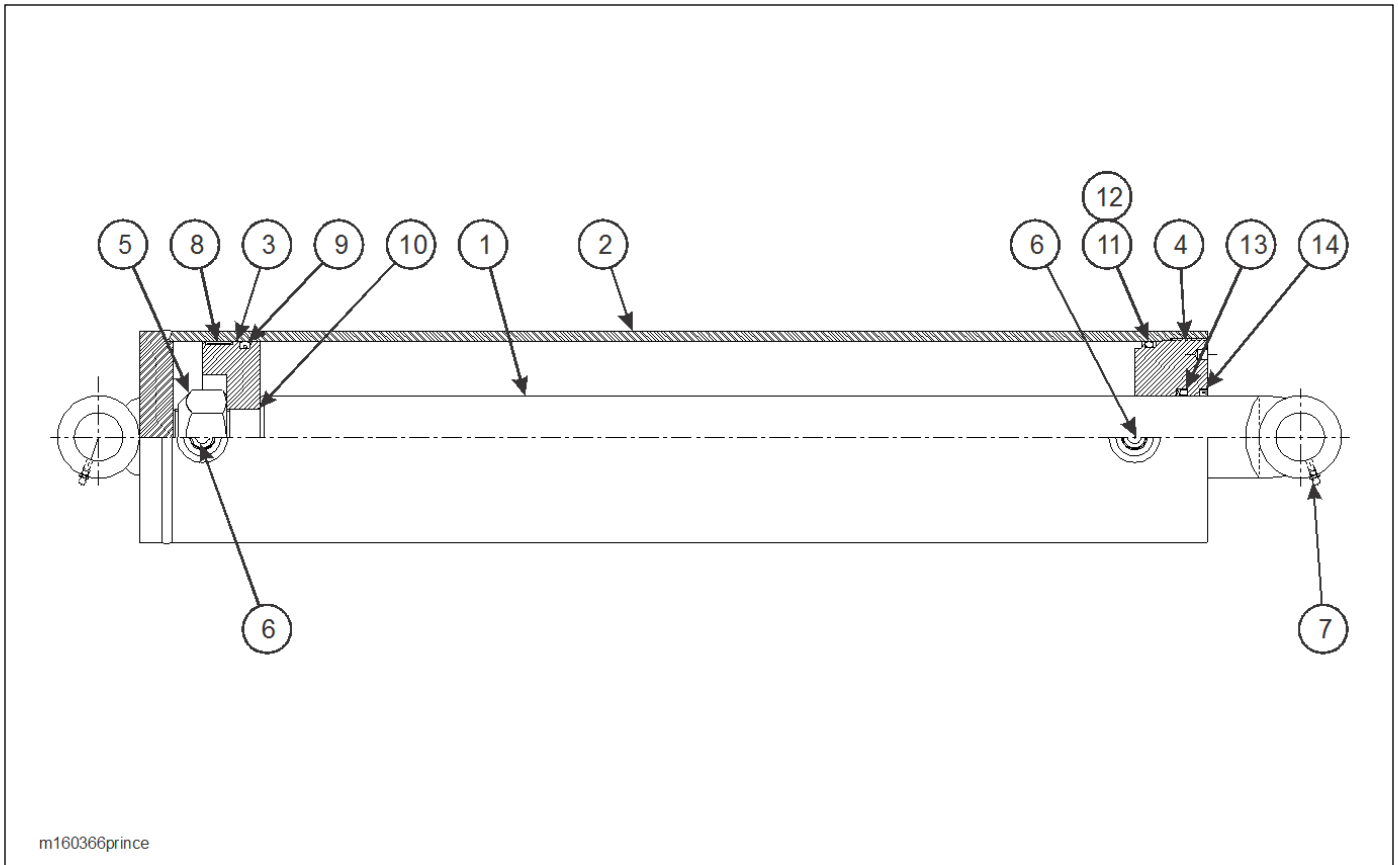


Figure 2-22: Cylinder, Hydraulic 7 x 34 (Prince)

CYLINDER, HYDRAULIC 7 X 34 (PRINCE)

ITEM	PART NO.	DESCRIPTION	QTY.
	160366	CYLINDER HYDRAULIC 7 X 34	
1	167199	PISTON ROD ASSEMBLY	1
2	----	BUTT AND TUBE ASSEMBLY	1
3	----	PISTON	1
4	167200	GLAND	1
5	----	LOCKNUT	1
6	----	PORT PLUG	2
7	----	GREASE ZERK	2
8	----	BEARING RING	1
9*	----	CROWN SEAL	1
10*	----	O-RING	1
11*	----	O-RING	1
12*	----	BU-WASHER	1
13*	----	U-CUP	1
14*	----	WIPER	1
	167201	PACKING KIT (INCLUDES 9-14)	

* INCLUDED W/ REPLACEMENT PACKING KIT ONLY

ILLUSTRATED PARTS LIST

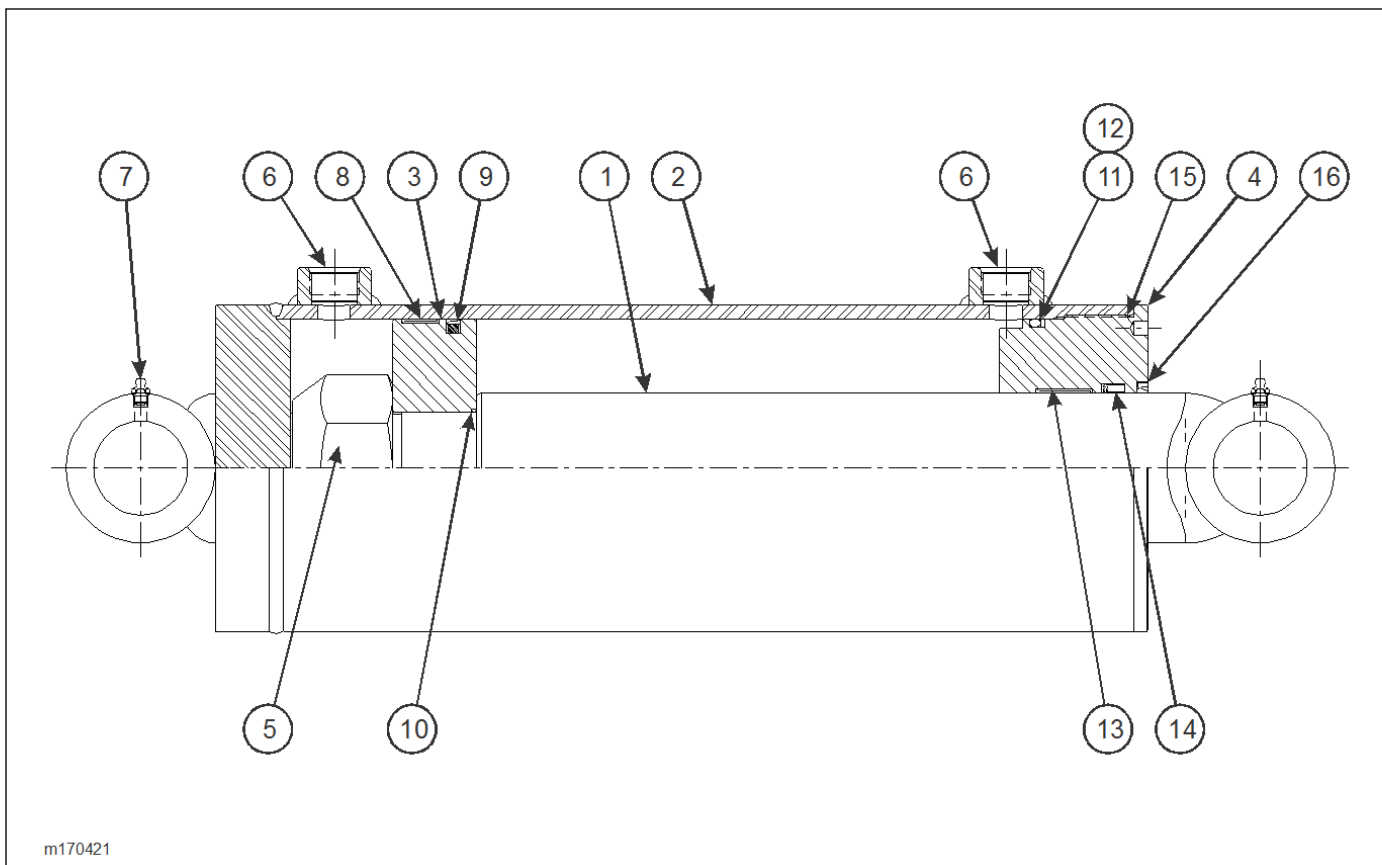


Figure 2-23: Cylinder, Hydraulic 8 x 36 (Prince)

CYLINDER, HYDRAULIC 8 X 36 (PRINCE)

ITEM	PART NO.	DESCRIPTION	QTY.
	170421	CYLINDER HYDRAULIC 8 X 36	
1	174152	PISTON ROD ASSEMBLY	1
2	----	BUTT AND TUBE ASSEMBLY	1
3	----	PISTON	1
4	174153	GLAND	1
5	----	LOCKNUT	1
6	----	PORT PLUG	2
7	----	GREASE ZERK	2
8*	----	BEARING RING, PISTON	1
9*	----	CROWN SEAL	1
10*	----	O-RING	1
11*	----	O-RING	1
12*	----	BU-WASHER	1
13*	----	BEARING RING, GLAND	1
14*	----	U-CUP	1
15*	----	O-RING	1
16*	----	WIPER	1
	174154	PACKING KIT (INCLUDES 8-16)	

* INCLUDED W/ REPLACEMENT PACKING KIT ONLY

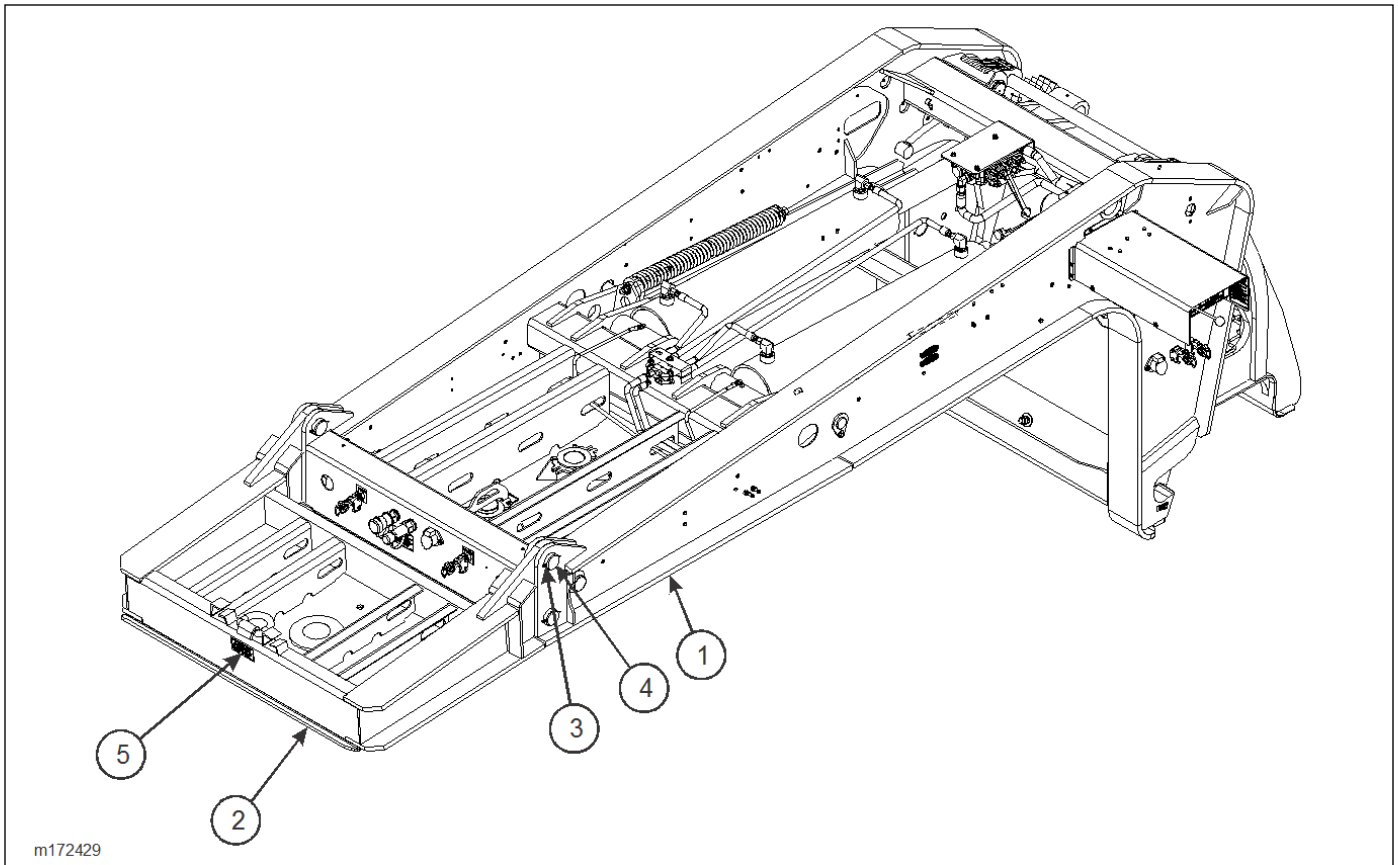
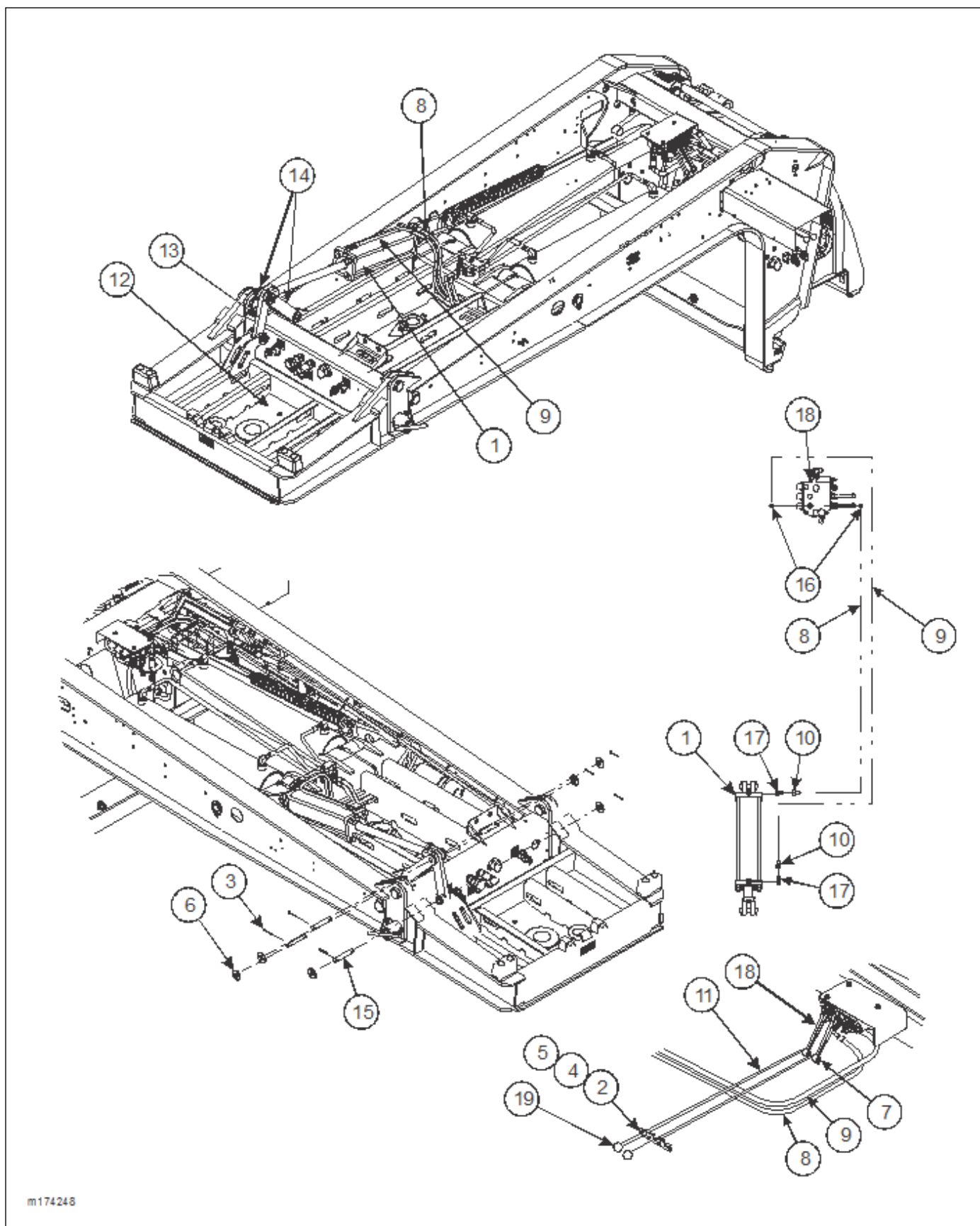


Figure 2-24: Front Gooseneck Flip Assembly, 36"

FRONT GOOSENECK FLIP ASSEMBLY, 36"

ITEM	PART NO.	DESCRIPTION	QTY.
	172429	FRONT G/N FLIP ASSEMBLY, 36"	
1	172030	GOOSENECK WELDMENT 855HD	REF
2	172378	FLIP WELDMENT, G/N 36"	1
3	1/4X3	COTTER PIN 1/4 X 3	8
4	3-557-010273	PIN, G/N FLIP	4
5	3-573-010496	DECAL, WARNING TIE DOWN	1



m174248

Figure 2-25: Front G/N Hydraulic Flip Extension Installation (855 HD)

FRONT G/N HYDRAULIC FLIP EXTENSION INSTALLATION (855 HD)

ITEM	PART NO.	DESCRIPTION	QTY.
	174248	FRONT G/N HYDRAULIC FLIP EXTENSION INSTALLATION	
1	1-242-010180-3	CYLINDER, HYDRAULIC 4 X 20 (SEE PAGE 2-103)	1
2	1-512-010005-01	NUT, HEX LOCK 1/4-20 GRB	1
3	1-557-010362-63	PIN, COTTER 1/4 X 2	6
4	1-654-010047-06	SCREW, HEX HEAD CAP 1/4-20 X 1 GR5	1
5	1-861-010032-07	WASHER, FLAT 1/4W	1
6	1-861-010032-25	WASHER, FLAT 1W	6
7	101386	PIN, COTTER 1/8 X 1	1
8	123812	HOSE ASSEMBLY 3/8 X 160	1
9	123873	HOSE ASSEMBLY 3/8 X 190	1
10	127806	WASHER, FLAT 1-1/4N	2
11	171678	HANDLE EXTENSION	1
12	172429	FRONT G/N FLIP ASSEMBLY 36"	REF
13	174249	LINK, FRONT HYD FLIP G/N	1
14	174250	LINK, REAR HYD FLIP G/N	2
15	2-557-010054	PIN, EXTENDED CYLINDER	3
16	202702-8-8S	ADAPTER	6
17	2062-8-8S	ADAPTER, 90	2
18	3-360-010008	VALVE, HANDLE MODIFICATION	1
19	95	KNOB	1

ILLUSTRATED PARTS LIST

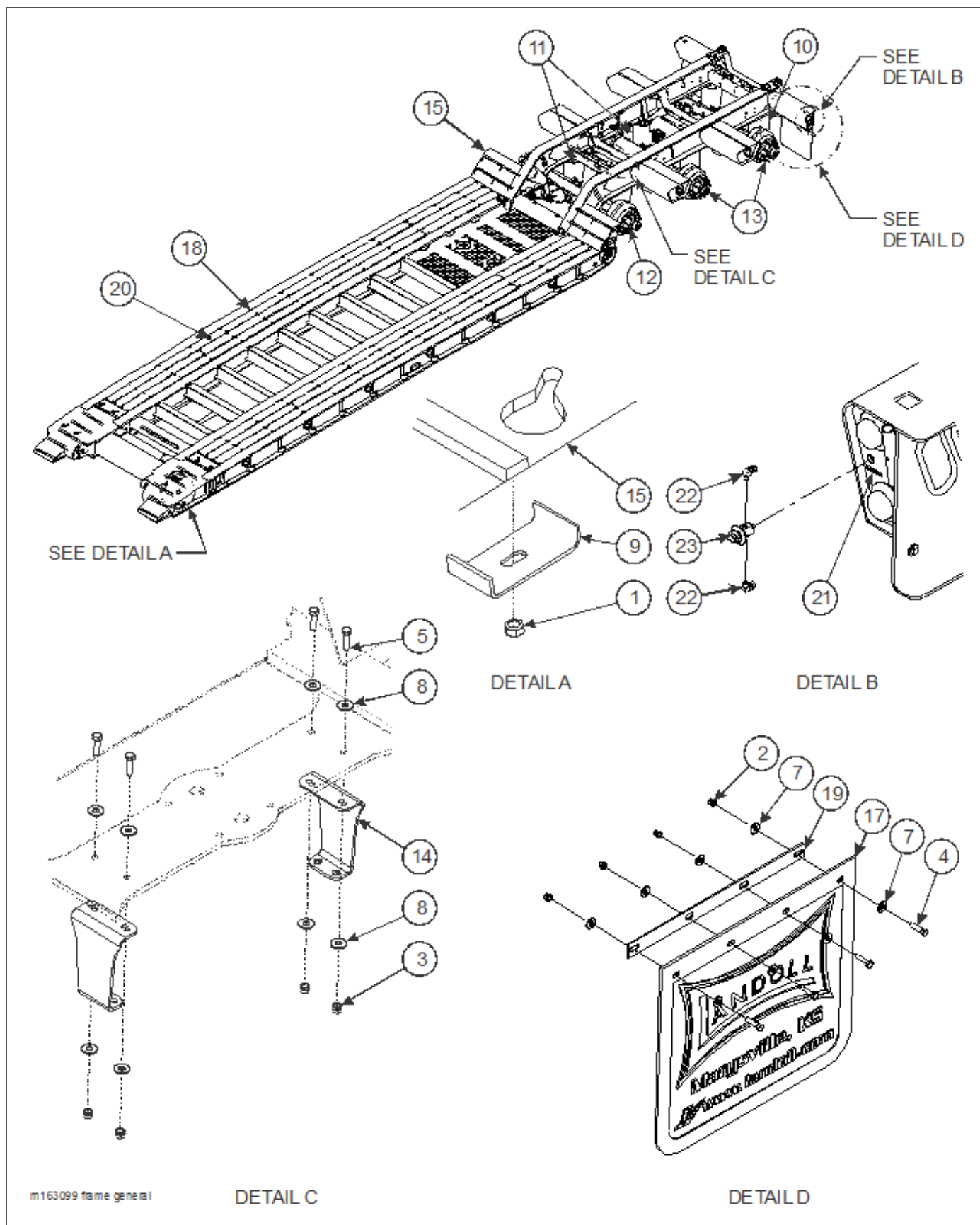


Figure 2-26: Frame General Assembly (855C)

FRAME GENERAL ASSEMBLY (855C)

ITEM	PART NO.	DESCRIPTION	QTY.
	163515	FRAME ASSEMBLY 855-23-1/2	
	163099	FRAME ASSEMBLY 855-26	
	163557	FRAME ASSEMBLY 855-26 HYD FLIP	
	165464	FRAME ASSEMBLY 855-27-1/2	
	168635	FRAME ASSEMBLY 855-25	
	168940	FRAME ASSEMBLY 855-25 HYD FLIP	
1	1-510-010001	NUT, FLANGE LOCK 3/8-16	1
2	1-512-010005-05	NUT, HEX LOCK 3/8-16 GRB	8
3	1-512-010005-09	NUT, HEX LOCK 1/2-13 GRB	4
4	1-654-010051-07	SCREW, HEX HEAD CAP 3/8-16 X 1-1/2 GR5	8
5	1-654-010055-04	SCREW, HEX HEAD CAP 1/2-13 X 1-3/4 GR5	4
6	1-796-010001	TIE WIRE, PLASTIC 22 (NOT SHOWN)	5
7	1-861-010032-11	WASHER, FLAT 3/8W	16
8	1-861-010032-15	WASHER, FLAT 1/2W	8
9	103817	CLAMP, HOSE	1
10	110618	SUSPENSION FASTENER, RLU 250-9-4 (SEE PAGE 2-69)	REF
11	110622	SUSPENSION FASTENER, RLU 250 FMT (SEE PAGE 2-67)	REF
12	115752	AXLE WELDMENT 2516 SPG 79 FRT (SEE PAGE 2-73)	REF
13	115756	AXLE WELDMENT 2516 SPG 79 CTR (SEE PAGE 2-73)	REF
14	163092	BRACKET, AIR TANK	2
15	-----	FRAME WELDMENT 855	1
16	3-201-010002	CONDUIT, PLASTIC FLEX 3/8 (NOT SHOWN)	8
17	3-485-010001	MUD FLAP 21"	2
18	3-654-010129-2	SCREW, TORQUE 5/16 X 3	AR
19	3-762-010017	CLAMP, MUD FLAP	2
20	RWD39062	APITONG, 2 X 5-7/8	AR
21	168973	DECAL, FLIP AXLE AIR BAG	1
22	1-297-010008-05	FITTING, AIR 90	2
23	900-54-088	VALVE, AIR RIDE CONTROL	1

ILLUSTRATED PARTS LIST

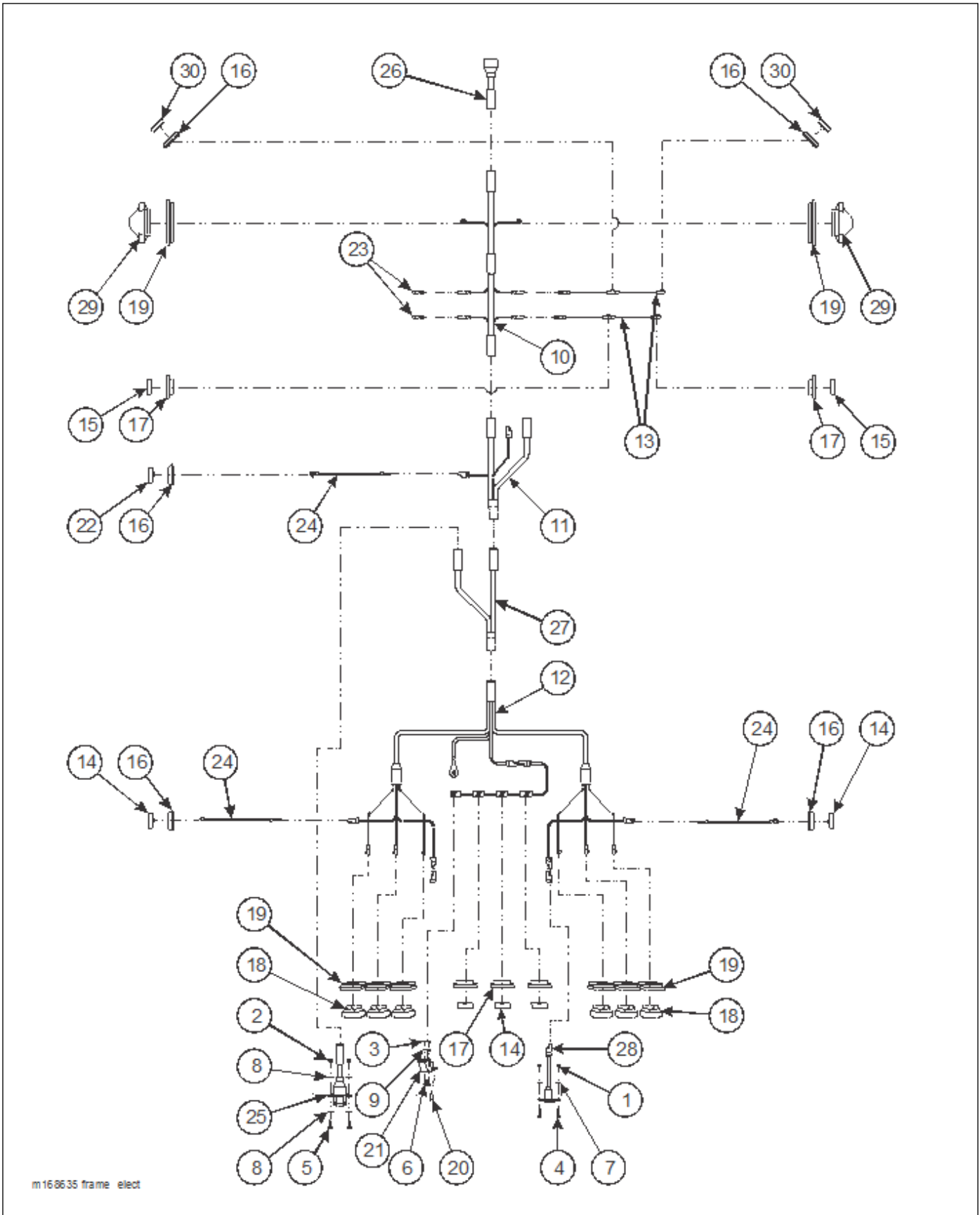


Figure 2-27: Frame Electrical System (855C)

FRAME ELECTRICAL SYSTEM (855C)

ITEM	PART NO.	DESCRIPTION	QTY.
	163515	FRAME ASSEMBLY 855-23-1/2	
	163099	FRAME ASSEMBLY 855-26	
	163557	FRAME ASSEMBLY 855-26 HYD FLIP	
	165464	FRAME ASSEMBLY 855-27-1/2	
	168635	FRAME ASSEMBLY 855-25	
	168940	FRAME ASSEMBLY 855-25 HYD FLIP	
1	1-512-010005-01	NUT, HEX LOCK 1/4-20 GRB	2
2	1-512-010005-03	NUT, HEX LOCK 5/16-18 GRB	8
3	1-512-010007-03	NUT, HEX 10-24 GRB	2
4	1-654-010047-06	SCREW, HEX HEAD CAP 1/4-20 X 1 GR5	2
5	1-654-010049-06	SCREW, HEX HEAD CAP 5/16-18 X 1-1/4 GR5	4
6	1-656-010003051	SCREW, RD HEAD MACH 10-24 X 3/4	2
7	1-861-010032-07	WASHER, FLAT 1/4W	2
8	1-861-010032-09	WASHER, FLAT 5/16W	4
9	1-861-010034-07	WASHER, SPLIT LOCK #10	2
10	143102	HARNESS, BED MAIN	1
11	143103	HARNESS, E-CHAIN	1
12	143104	HARNESS, BUMPER	1
13	143106	HARNESS, MARKER FRONT BED	2
14	143108	LIGHT, RED LED 2.5 CL/MARKER	5
	171303	LIGHT, RED CLEAR LENS, 2.5 GRT (ANNIVERSERY EDITION)	2
15	143109	LIGHT, YELLOW LED 2.5 CL/MARKER	4
	171302	LIGHT, YELLOW CLEAR LENS, 2.5 GRT (ANNIVERSERY EDITION)	4
16	143110	GROMMET, 2.5 SURFACE MOUNT	5
17	143111	GROMMET, 2.5 RECESSED MOUNT	5
18	143113	LIGHT, RED LED OVAL S/T/T	6
	179902	LIGHT, S/T/T RED CLEAR LENS GRT (ANNIVERSERY EDITION)	4
	171925	LIGHT, RED CLEAR LENS MICRO CL (ANNIVERSERY EDITION)	3
19	143114	GROMMET, OVAL	8
20	143117	LIGHT, CLEAR LED LICENSE	1
21	143118	BRACKET, LIGHT LICENSE	1
22	143119	LIGHT, YELLOW LED ABS	1
23	143121	DUMMY PLUG MALE/FEM BULLET	REF
24	144609	MARKER LAMP PIGTAIL HARNESS	3
25	146897	HARNESS, 7 WAY RECP MAIN	1
26	146898	HARNESS, 7 WAY PLUG G/N	1
27	146929	HARNESS, Y SPLITTER	1
28	150116	HARNESS/PLUG ASSEMBLY	1
29	169410	LIGHT, YELLOW MID TURN	2
	171305	LIGHT, S/T/T YELLOW CLEAR LENS GRT (ANNIVERSERY EDITION)	2
30	171294	LIGHT, YELLOW LED 2.5 CL/MARKER GROTE	2

ILLUSTRATED PARTS LIST

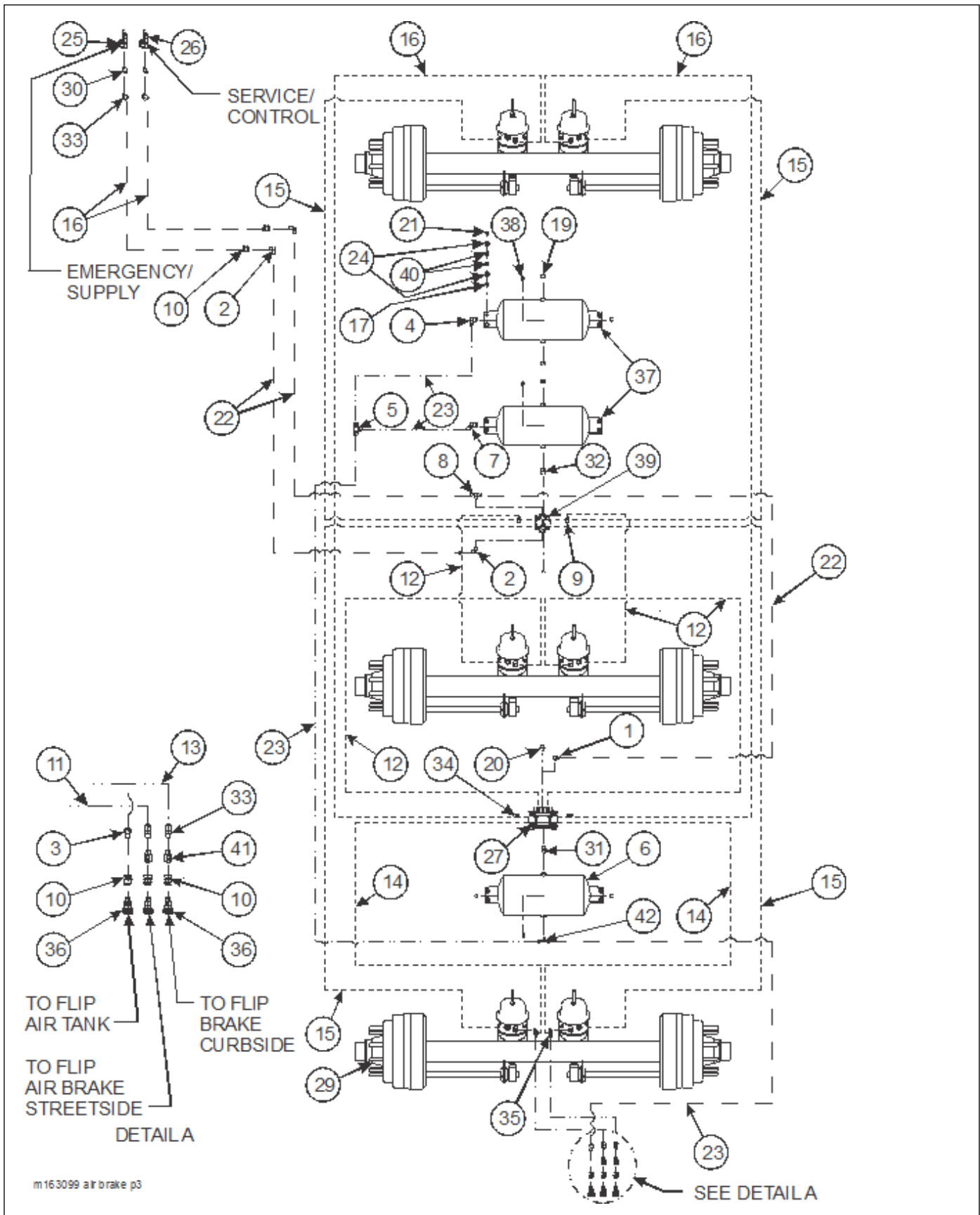


Figure 2-28: Frame Assembly - Air Brake System
(855C-23-1/2, -26, -26 Hydraulic Flip, & -27-1/2)

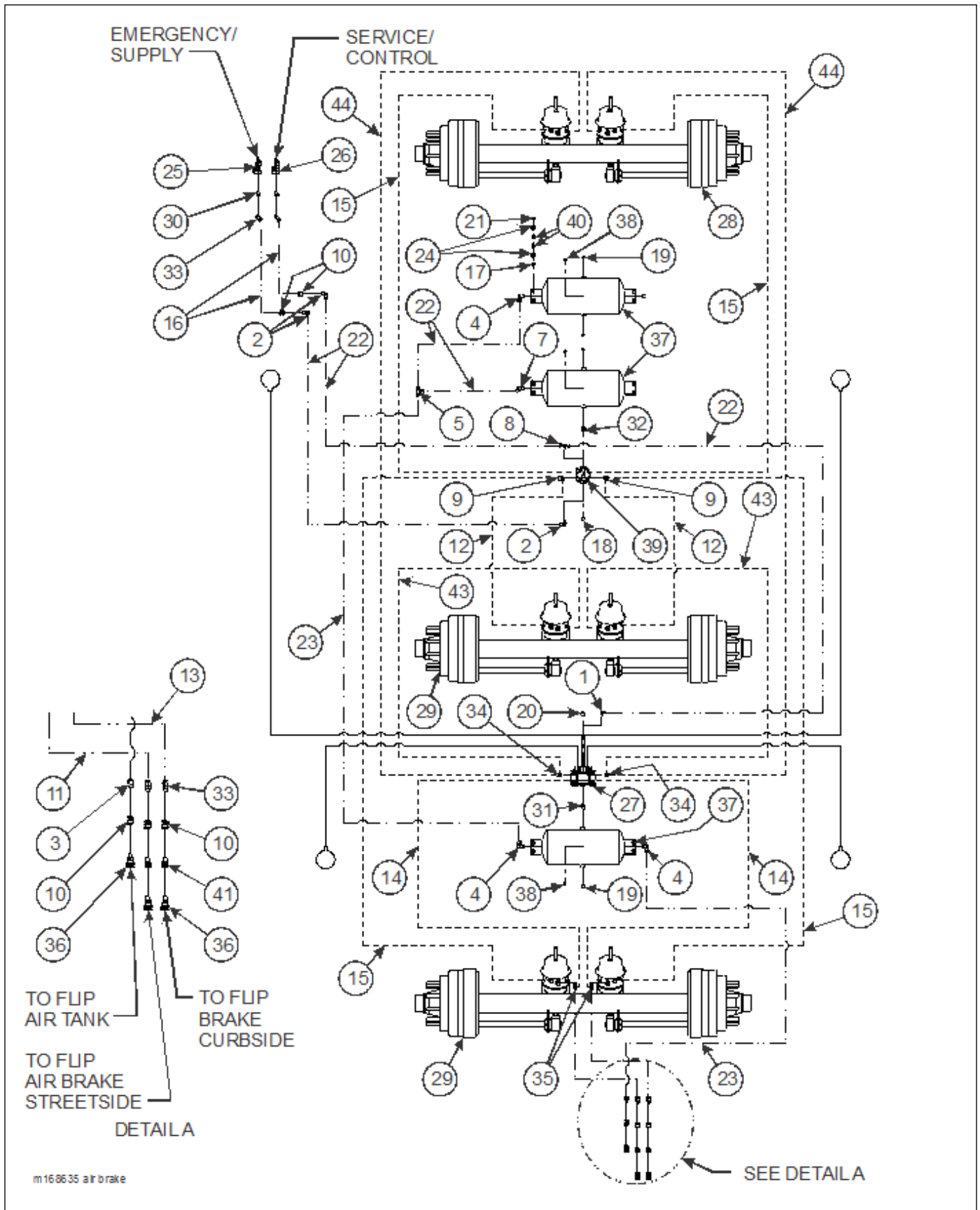


Figure 2-29: Frame Assembly - Air Brake System (855C-25 & -25 Hydraulic Flip)

ILLUSTRATED PARTS LIST

FRAME ASSEMBLY - AIR BRAKE SYSTEM (855C)

ITEM	PART NO.	DESCRIPTION	QTY.
	163515	FRAME ASSEMBLY 855-23-1/2	
	163099	FRAME ASSEMBLY 855-26	
	163557	FRAME ASSEMBLY 855-26 HYD FLIP	
	165464	FRAME ASSEMBLY 855-27-1/2	
	168635	FRAME ASSEMBLY 855-25	
	168940	FRAME ASSEMBLY 855-25 HYD FLIP	
1	1-297-010008-18	FITTING, AIR 90	1
2	1-297-010008-20	FITTING, AIR 90	3
3	1-297-010008-23	FITTING, AIR 90	1
4	1-297-010008-24	FITTING, AIR 90	1
5	1-297-010010-06	FITTING, AIR UNION TEE	1
6	171664	AIR TANK W/ MODIFY BRACKET	*1, 0
7	1-297-010013-16	FITTING, AIR 45	1
8	1-297-010015-07	FITTING, AIR BR TEE 3/8	1
9	1-297-010018-03	FITTING, BRS PIPE ST TEE 3/8	2
10	1-297-010022-03	FITTING, AIR ANCHOR COUPLING	5
11	1-384-010038-2	HOSE, AIR 3/8 X 66	1
12	1-384-010038024	HOSE, AIR 3/8 X 24	4
13	1-384-010038054	HOSE, AIR 3/8 X 54	1
14	1-384-010038060	HOSE, AIR 3/8 X 60	2
15	1-384-010038072	HOSE, AIR 3/8 X 72	4
16	1-384-010038084	HOSE, AIR 3/8 X 84	4
17	1-512-010005-05	NUT, HEX LOCK 3/8-16 GRB	12
18	1-560-010002-03	PLUG, PIPE 3/8	1
19	1-560-010002-04	PLUG, PIPE 1/2	*6, 5
20	1-560-010002-05	PLUG, PIPE 3/4	1
21	1-654-010051-08	SCREW, HEX HEAD CAP 3/8-16 X 1-3/4 GR5	12
22	1-833-010002	TUBING, NYLON 3/8	AR
23	1-833-010003	TUBING, NYLON 1/2	AR
24	1-861-010032-11	WASHER, FLAT 3/8W	24
25	108801	GLAD HAND - RED - AIR	1
26	108802	GLAD HAND - BLUE - AIR	1
27	114586	ABS KIT 4S/2M TRI/SPREAD (SEE PAGE 2-47)	1
28	115752	AXLE WELDMENT 2516 SPG 79 32 FRT	REF
29	115756	AXLE WELDMENT RLU250 D2516 SER 79	REF
30	2081-8-6S	REDUCER	2
31	2083-12-8S	NIPPLE, HEX	1
32	2083-8-8S	NIPPLE, HEX	1
33	2088-6-6S	ADAPTER 45	4
34	2089-6-6S	ADAPTER, 90	2
35	2092-6-6S	TEE	2
36	3-220-010004	COUPLER, AIR FEMALE	4
37	3-780-010002	AIR TANK	*2, 3
38	56D4	COCK, DRAIN AIR TANK	3
39	758-181	VALVE, TASK 4 PORT	1
40	805-2	BUSHING, STEP	24
41	163578	VALVE, MINI BALL AIR	2
42	1-297-010015-11	FITTING, AIR BR TEE 1/2	*0, 1
43	1-384-010038030	HOSE, AIR 3/8 X 30	*0, 2

FRAME ASSEMBLY - AIR BRAKE SYSTEM (855C)

ITEM	PART NO.	DESCRIPTION	QTY.
44	1-384-010038090	HOSE, AIR 3/8 X 90	*0, 2

* FIRST QUANTITY USED ON P/N'S 163515, 163099, 163557, AND 165464; SECOND QUANTITY USED ON P/N'S 168635 AND 168940

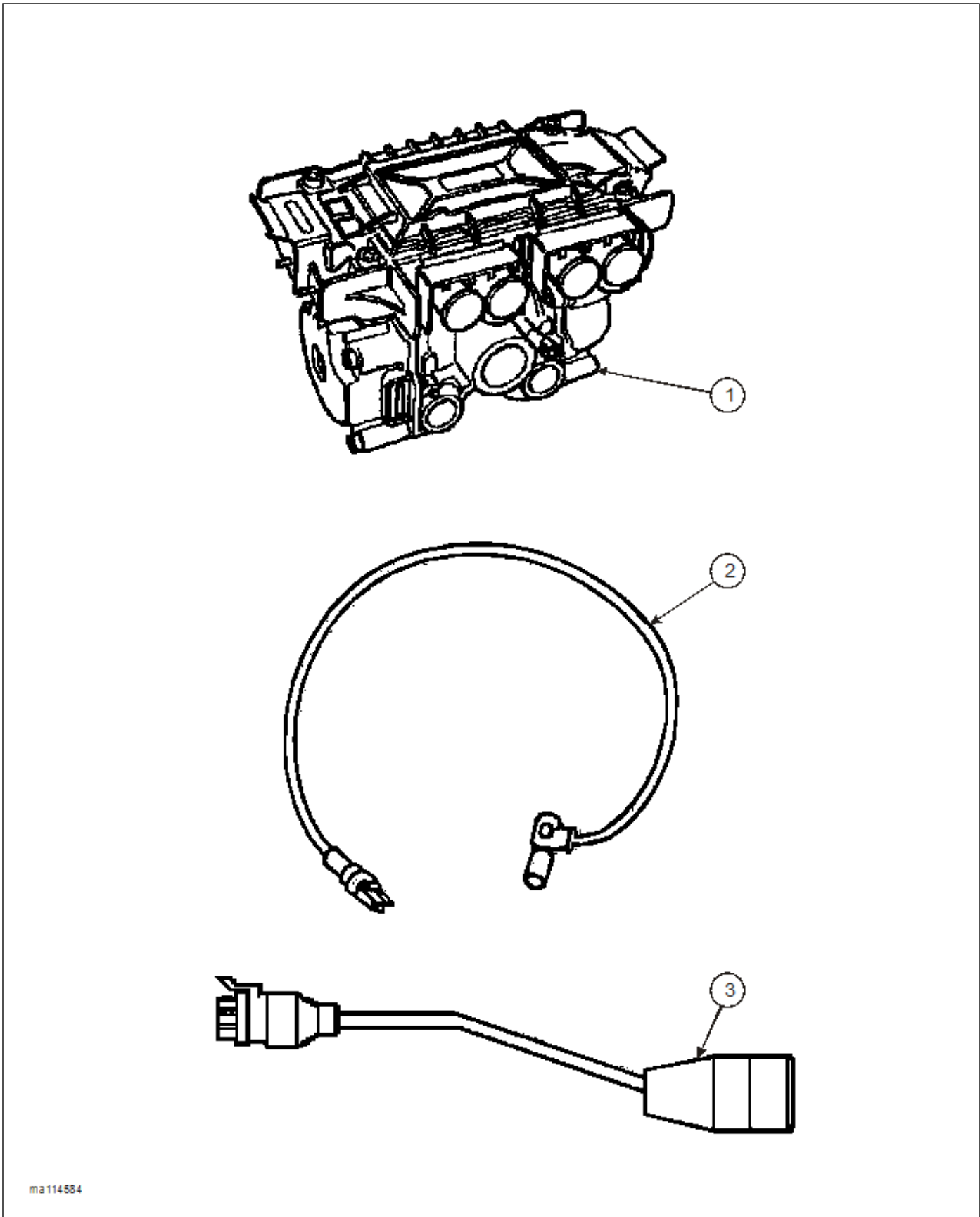


Figure 2-30: Brake Kit, ABS (Rockwell)

BRAKE KIT, ABS (ROCKWELL)

ITEM	PART NO.	DESCRIPTION	QTY.
	114586	BRAKE KIT, ROCKWELL ABS, 4S/2M TRI/SPD	
1	114588	ECU/VALVE ASSEMBLY	1
2	103861	SENSOR EXTENSION CABLE 3M (10 FT)	1
3	147464	POWER/DIAGNOSTIC CABLE	1

ILLUSTRATED PARTS LIST

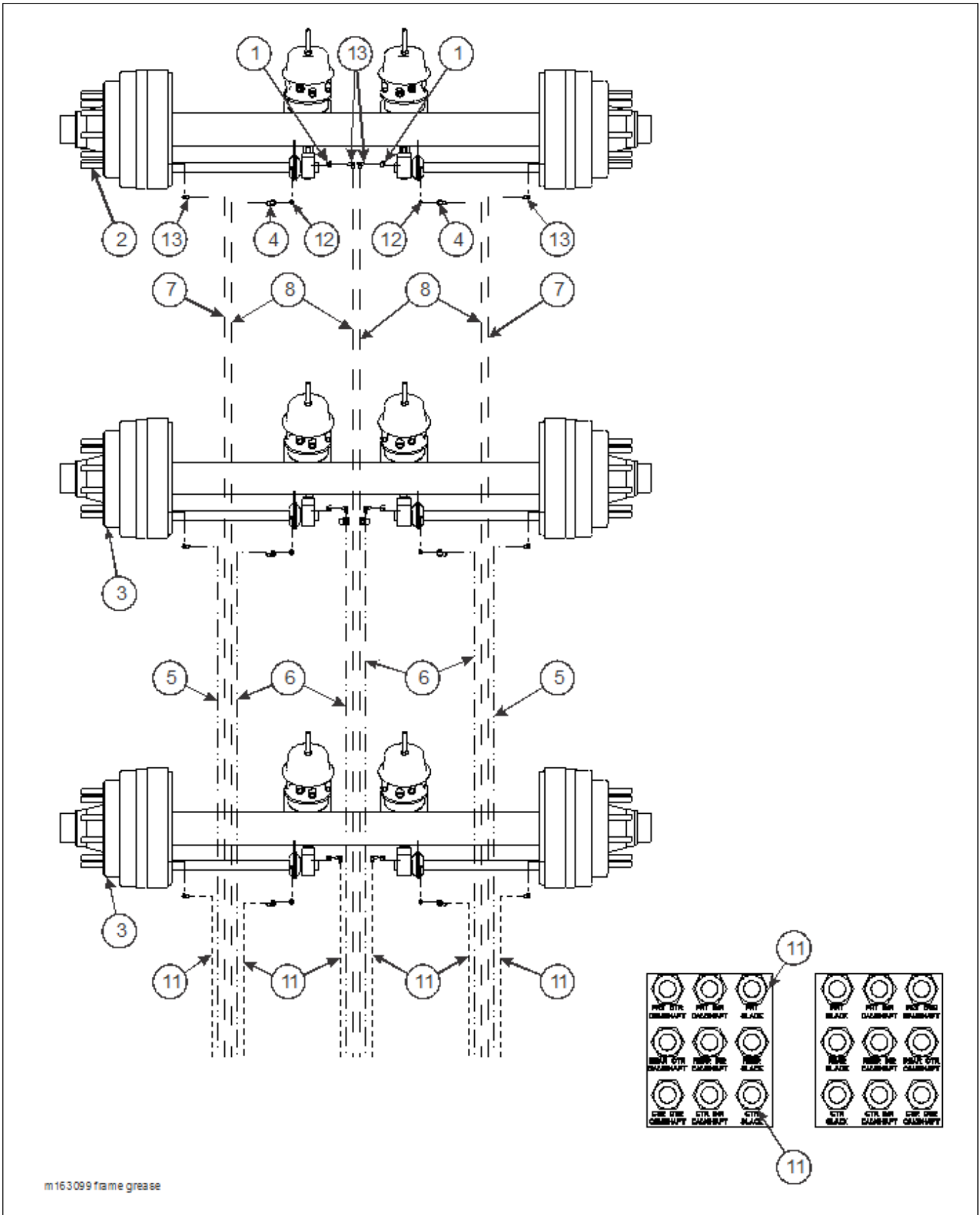


Figure 2-31: Frame Grease Assembly (855C)

FRAME GREASE ASSEMBLY (855C)

ITEM	PART NO.	DESCRIPTION	QTY.
	163515	FRAME ASSEMBLY 855-23-1/2	
	163099	FRAME ASSEMBLY 855-26	
	163557	FRAME ASSEMBLY 855-26 HYD FLIP	
	165464	FRAME ASSEMBLY 855-27-1/2	
	168635	FRAME ASSEMBLY 855-25	
	168940	FRAME ASSEMBLY 855-25 HYD FLIP	
1	101528	ELBOW, BR PIPE STR	6
2	115752	AXLE WELDMENT 2516 SPG 79 FRT	REF
3	115756	AXLE WELDMENT 2516 SPG 79 CTR	REF
4	138155	ADAPTER, 90	6
5	142445	HOSE ASSEMBLY, GREASE 1/4 X 102 (163515, 163099, 163557, & 165464)	2
	142446	HOSE ASSEMBLY, GREASE 1/4 X 118 (168635 & 168940)	2
6	142446	HOSE ASSEMBLY, GREASE 1/4 X 118	4
7	142451	HOSE ASSEMBLY, GREASE 1/4 X 156 (163515, 163099, 163557, & 165464)	2
	142453	HOSE ASSEMBLY, GREASE 1/4 X 180 (168635 & 168940)	2
8	142452	HOSE ASSEMBLY, GREASE 1/4 X 162 (163515, 163099, 163557, & 165464)	4
	142453	HOSE ASSEMBLY, GREASE 1/4 X 180 (168635 & 168940)	4
9	142545	NUT, HEX JAM 7/16-20	18
10	142553	DECAL, GREASE TRAILER	2
11	146924	HOSE ASSEMBLY, GREASE 1/4 X 36	6
12	161797	ADAPTER, STRAIGHT 5/16-18	6
13	2024-2-4S	ADAPTER, ELBOW	12

ILLUSTRATED PARTS LIST

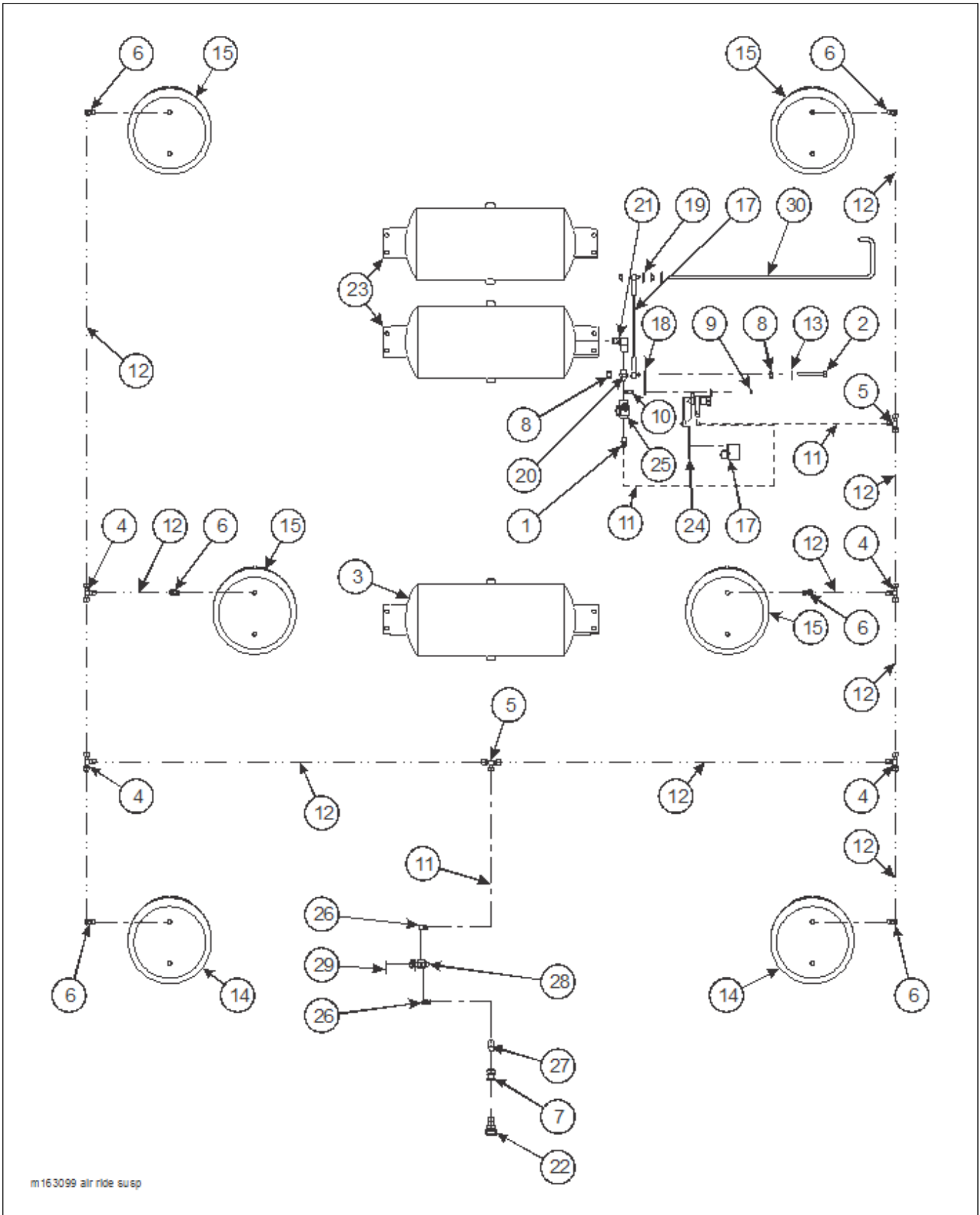


Figure 2-32: Frame Assembly - Air Ride Suspension (855C)

FRAME ASSEMBLY - AIR RIDE SUSPENSION (855C)

ITEM	PART NO.	DESCRIPTION	QTY.
	163515	FRAME ASSEMBLY 855-23-1/2	
	163099	FRAME ASSEMBLY 855-26	
	163557	FRAME ASSEMBLY 855-26 HYD FLIP	
	165464	FRAME ASSEMBLY 855-27-1/2	
	168635	FRAME ASSEMBLY 855-25	
	168940	FRAME ASSEMBLY 855-25 HYD FLIP	
1	1-297-010007-05	FITTING, AIR	1
2	1-654-010055-11	SCREW, HEX HEAD CAP 1/2-13 X 3-1/2 GR5	1
3	171664	AIR TANK W/ MODIFY BRACKET	REF
4	1-297-010010-03	FITTING, AIR UNION TEE	4
5	1-297-010010-04	FITTING, AIR UNION TEE	2
6	1-297-010013-11	FITTING, AIR 45 EL	6
7	1-297-010022-03	FITTING, AIR	1
8	1-510-010003-09	NUT, FLANGE HEAD SERRATED 1/2-13	4
9	1-512-010005-01	NUT, HEX LOCK 1/4-20 GRB	4
10	1-654-010047-04	SCREW, HEX HEAD CAP 1/4-20 X 3/4 GR5	2
11	1-833-010001	TUBING, NYLON 1/4	AR
12	1-833-010002	TUBING, NYLON 3/8	AR
13	1-861-010032-15	WASHER, FLAT 1/2W	1
14	110618	SUSPENSION FASTENER, RLU 250-9-4 (SEE PAGE 2-69)	REF
15	110622	SUSPENSION FASTENER, RLU 250 FMT (SEE PAGE 2-67)	REF
16	102732	AIR CONTROL KIT (INCL ITEMS 17, 24-25) SEE PAGE 2-65)	REF
17	111021	SRK - 167 KIT (ADJUSTABLE LINK ASSEMBLY)	REF
18	167846	LINK, VALVE HEIGHT CONTROL	1
19	167848	LINK, ROD HEIGHT CONTROL	1
20	2083-8-4S	NIPPLE	1
21	2089-8-8S	ADAPTER, 90	1
22	3-220-010004	COUPLER, AIR FEMALE	1
23	3-780-010002	TANK, AIR 9.5 X 22.5	REF
24	900 54 007	HEIGHT CONTROL VALVE	REF
25	905-54-107	BRAKE PROTECTOR VALVE	REF
26	1-297-010008-05	FITTING, AIR 90	2
27	1-297-010008-09	FITTING, AIR 90	1
28	900-54-088	VALVE, AIR RIDE CONTROL	1
29	168973	DECAL, FLIP AXLE AIR BAG	1
30	167849	ROD, HEIGHT CONTROL	1

ILLUSTRATED PARTS LIST

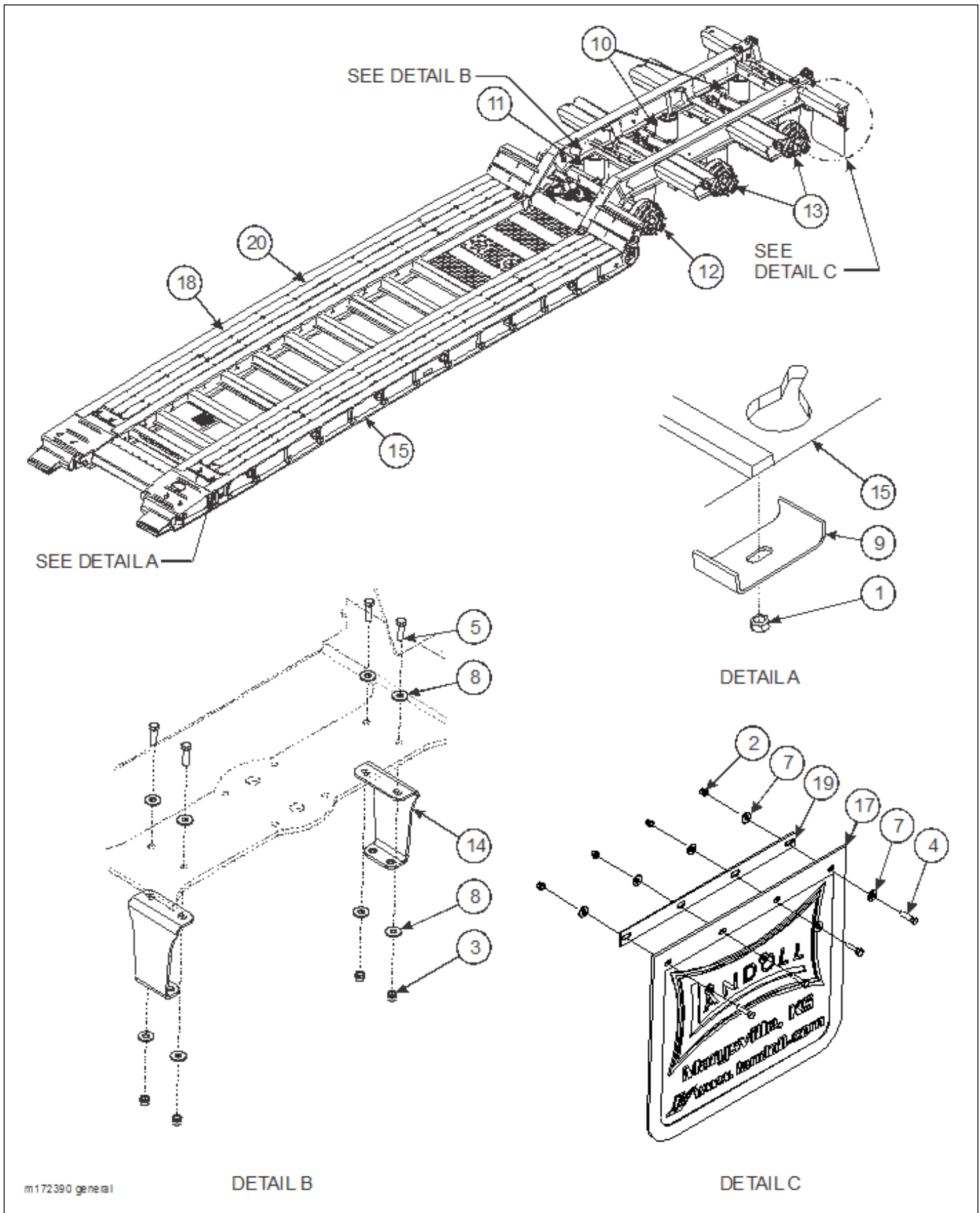
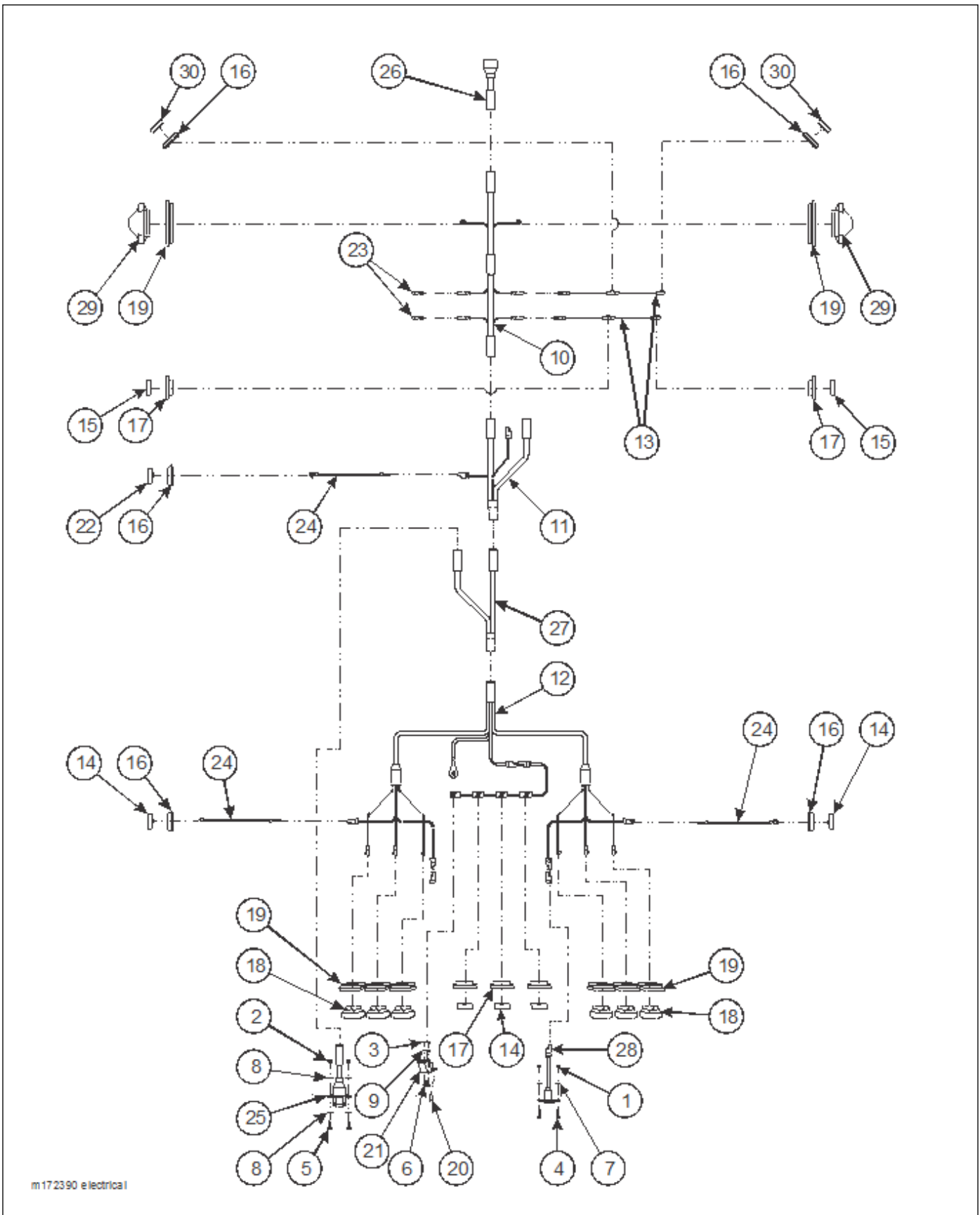


Figure 2-33: Frame General Assembly (855 HD)

FRAME GENERAL ASSEMBLY (855 HD)

ITEM	PART NO.	DESCRIPTION	QTY.
	172390	FRAME ASSEMBLY (855 HD-26)	
	174247	FRAME ASSEMBLY, EXTRA X-MEMBERS (855 HD-26)	
	174666	FRAME ASSEMBLY, EXTRA X-MEMBERS HYD FLIP (855 HD-26)	
	173614	FRAME ASSEMBLY (855 HD-25-1/2-60)	
1	1-510-010001	NUT, FLANGE LOCK 3/8-16	16
2	1-512-010005-05	NUT, HEX LOCK 3/8-16 GRB	25
3	1-512-010005-09	NUT, HEX LOCK 1/2-13 GRB	8
4	1-654-010051-07	SCREW, HEX HEAD CAP 3/8-16 X 1-1/2 GR5	4
5	1-654-010055-04	SCREW, HEX HEAD CAP 1/2-13 X 1-3/4 GR5	5
6	1-796-010001	TIE WIRE, PLASTIC 22 (NOT SHOWN)	5
7	1-861-010032-11	WASHER, FLAT 3/8W	50
8	1-861-010032-15	WASHER, FLAT 1/2W	9
9	103817	CLAMP, HOSE	1
10	110618	SUSPENSION FASTENER, RLU 250-9-4 (SEE PAGE 2-69)	REF
11	110622	SUSPENSION FASTENER, RLU 250 FMT (SEE PAGE 2-67)	REF
12	115752	AXLE WELDMENT 2516 SPG 79 FRT (SEE PAGE 2-73)	REF
13	115756	AXLE WELDMENT 2516 SPG 79 CTR (SEE PAGE 2-73)	REF
14	163092	BRACKET, AIR TANK	1
15	----	FRAME WELDMENT	1
16	3-201-010002	CONDUIT, PLASTIC FLEX 3/8 (NOT SHOWN)	8
17	3-485-010001	MUD FLAP 21"	2
18	3-654-010129-2	SCREW, TORQUE 5/16 X 3	180
19	3-762-010017	CLAMP, MUD FLAP	2
20	RWD39062	APITONG, 2 X 5-7/8	AR
21	135181	BUSHING, NYLATRON TOOLBOX (173614)	6
22	172905	PIN, ROUND WIRE LOCK 3/8 X 2 (173614)	3
23	117997	ALARM, dB ADJUSTING SMART BACKUP (173614)	REF

ILLUSTRATED PARTS LIST



m172390 electrical

Figure 2-34: Frame Electrical System (855 HD)

FRAME ELECTRICAL SYSTEM (855 HD)

ITEM	PART NO.	DESCRIPTION	QTY.
	172390	FRAME ASSEMBLY (855 HD-26)	
	174247	FRAME ASSEMBLY, EXTRA X-MEMBERS (855 HD-26)	
	174666	FRAME ASSEMBLY, EXTRA X-MEMBERS HYD FLIP (855 HD-26)	
	173614	FRAME ASSEMBLY (855 HD-25-1/2-60)	
1	1-512-010005-01	NUT, HEX LOCK 1/4-20 GRB	2
2	1-512-010005-03	NUT, HEX LOCK 5/16-18 GRB	8
3	1-512-010007-03	NUT, HEX 10-24 GRB	2
4	1-654-010047-06	SCREW, HEX HEAD CAP 1/4-20 X 1 GR5	2
5	1-654-010049-06	SCREW, HEX HEAD CAP 5/16-18 X 1-1/4 GR5	4
6	1-656-010003051	SCREW, RD HEAD MACH 10-24 X 3/4	2
7	1-861-010032-07	WASHER, FLAT 1/4W	2
8	1-861-010032-09	WASHER, FLAT 5/16W	4
9	1-861-010034-07	WASHER, SPLIT LOCK #10	2
10	143102	HARNESS, BED MAIN	1
11	143103	HARNESS, E-CHAIN	1
12	143104	HARNESS, BUMPER	1
13	143106	HARNESS, MARKER FRONT BED	2
14	143108	LIGHT, RED LED 2.5 CL/MARKER	5
	171303	LIGHT, RED CLEAR LENS, 2.5 GRT (ANNIVERSERY EDITION)	2
15	143109	LIGHT, YELLOW LED 2.5 CL/MARKER	4
	171302	LIGHT, YELLOW CLEAR LENS, 2.5 GRT (ANNIVERSERY EDITION)	4
16	143110	GROMMET, 2.5 SURFACE MOUNT	5
17	143111	GROMMET, 2.5 RECESSED MOUNT	5
18	143113	LIGHT, RED LED OVAL S/T/T	6
	179902	LIGHT, S/T/T RED CLEAR LENS GRT (ANNIVERSERY EDITION)	4
	171925	LIGHT, RED CLEAR LENS MICRO CL (ANNIVERSERY EDITION)	3
19	143114	GROMMET, OVAL	8
20	143117	LIGHT, CLEAR LED LICENSE	1
21	143118	BRACKET, LIGHT LICENSE	1
22	143119	LIGHT, YELLOW LED ABS	1
23	143121	DUMMY PLUG MALE/FEM BULLET	REF
24	144609	MARKER LAMP PIGTAIL HARNESS	3
25	146897	HARNESS, 7 WAY RECP MAIN	1
26	146898	HARNESS, 7 WAY PLUG G/N	1
27	146929	HARNESS, Y SPLITTER	1
28	150116	HARNESS/PLUG ASSEMBLY	1
29	169410	LIGHT, YELLOW MID TURN	2
	171305	LIGHT, S/T/T YELLOW CLEAR LENS GRT (ANNIVERSERY EDITION)	2
30	171924	LIGHT, YELLOW LED 2.5 CL/MARKER GROTE	2

ILLUSTRATED PARTS LIST

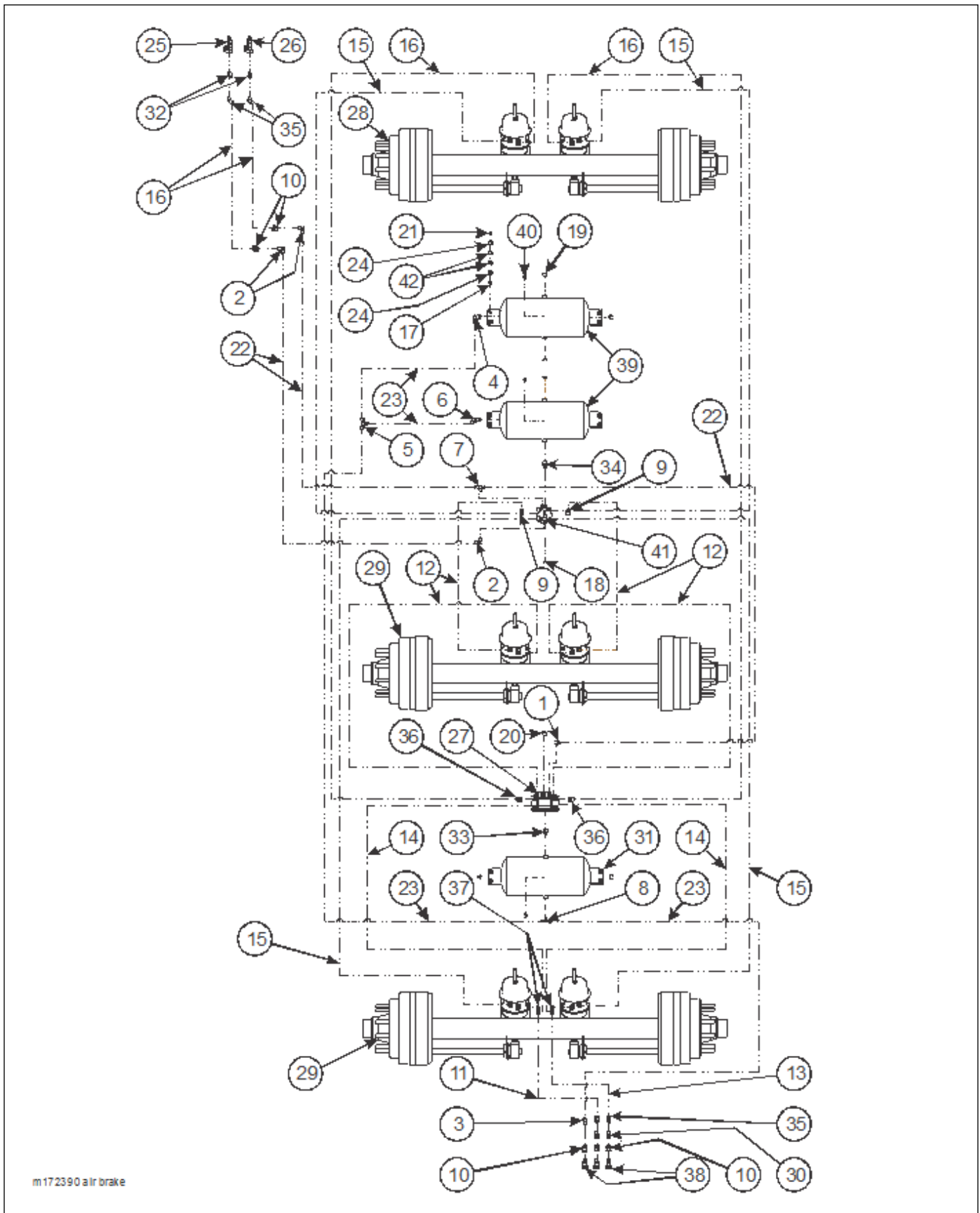


Figure 2-35: Air Brake System (855HD-26)

ILLUSTRATED PARTS LIST

AIR BRAKE SYSTEM (855 HD)

ITEM	PART NO.	DESCRIPTION	QTY.
	172390	FRAME ASSEMBLY (855 HD-26)	
	174247	FRAME ASSEMBLY, EXTRA X-MEMBERS (855 HD-26)	
	174666	FRAME ASSEMBLY, EXTRA X-MEMBERS HYD FLIP (855 HD-26)	
	173614	FRAME ASSEMBLY (855 HD-25-1/2-60)	
1	1-297-010008-18	FITTING, AIR 90	1
2	1-297-010008-20	FITTING, AIR 90	3
3	1-297-010008-23	FITTING, AIR 90	1
4	1-297-010008-24	FITTING, AIR 90	1
5	1-297-010010-06	FITTING, AIR UNION TEE	1
6	1-297-010013-16	FITTING, AIR 45	1
7	1-297-010015-07	FITTING, AIR BR TEE 3/8	1
8	1-297-010015-11	FITTING, AIR BR TEE 1/2	1
9	1-297-010018-03	FITTING, BRS PIPE ST TEE 3/8	2
10	1-297-010022-03	FITTING, AIR ANCHOR COUPLING	5
11	1-384-010038-2	HOSE, AIR 3/8 X 66	1
12	1-384-010038024	HOSE, AIR 3/8 X 24	*4,2
13	1-384-010038054	HOSE, AIR 3/8 X 54	1
14	1-384-010038060	HOSE, AIR 3/8 X 60	2
15	1-384-010038072	HOSE, AIR 3/8 X 72	4
16	1-384-010038084	HOSE, AIR 3/8 X 84	*4,2
17	1-512-010005-05	NUT, HEX LOCK 3/8-16 GRB	12
18	1-560-010002-03	PLUG, PIPE 3/8	1
19	1-560-010002-04	PLUG, PIPE 1/2	*6,7
20	1-560-010002-05	PLUG, PIPE 3/4	1
21	1-654-010051-08	SCREW, HEX HEAD CAP 3/8-16 X 1-3/4 GR5	12
22	1-833-010002	TUBING, NYLON 3/8	AR
23	1-833-010003	TUBING, NYLON 1/2	AR
24	1-861-010032-11	WASHER, FLAT 3/8W	24
25	108801	GLAD HAND - RED - AIR	1
26	108802	GLAD HAND - BLUE - AIR	1
27	114586	ABS KIT 4S/2M TRI/SPREAD (SEE PAGE 2-47)	1
28	115752	AXLE WELDMENT 2516 SPG 79 FRT (SEE PAGE 2-73)	REF
29	115756	AXLE WELDMENT 2516 SPG 79 CTR (SEE PAGE 2-73)	REF
30	163578	VALVE, MINI BALL AIR 3/8	2
31	171664	AIR TANK MODIFY BRACKET	1
32	2081-8-6S	REDUCER	2
33	2083-12-8S	NIPPLE, HEX	1
34	2083-8-8S	NIPPLE, HEX	1
35	2088-6-6S	ADAPTER 45	4
36	2089-8-8S	ADAPTER, 90	2
37	2092-6-6S	TEE	2
38	3-220-010004	COUPLER, AIR FEMALE	3
39	3-780-010002	AIR TANK	2
40	56D4	COCK, DRAIN AIR TANK	3
41	758-181	VALVE, TASK 4 PORT	1
42	805-2	BUSHING, STEP	24
43	1-297-010007-16	FITTING, AIR	*--,1
44	1-297-010009-04	FITTING, AIR TEE	*--,1
45	1-384-010038030	HOSE, AIR 3/8 X 30	*--,2

AIR BRAKE SYSTEM (855 HD)

ITEM	PART NO.	DESCRIPTION	QTY.
46	1-384-010038090	HOSE, AIR 3/8 X 90	*--,2
47	2089-6-6S	ADAPTER, 90	*--,2

* FIRST QUANTITY USED ON P/N'S 172390, 174247, AND 174666; SECOND QUANTITY USED ON P/N'S 173614

ILLUSTRATED PARTS LIST

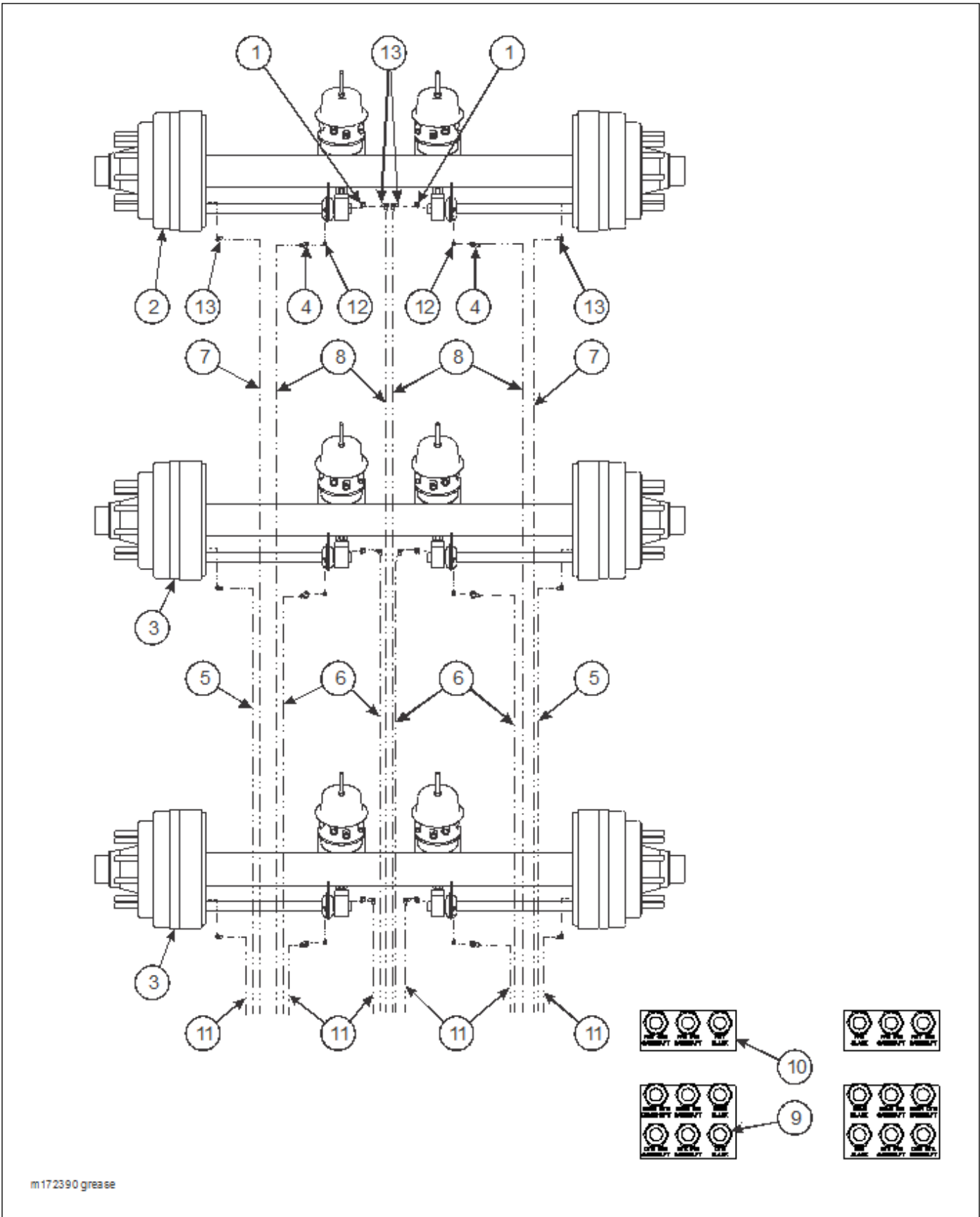


Figure 2-37: Frame Grease System (855 HD)

FRAME GREASE SYSTEM (855 HD)

ITEM	PART NO.	DESCRIPTION	QTY.
	172390	FRAME ASSEMBLY (855 HD-26)	
	174247	FRAME ASSEMBLY, EXTRA X-MEMBERS (855 HD-26)	
	174666	FRAME ASSEMBLY, EXTRA X-MEMBERS HYD FLIP (855 HD-26)	
	173614	FRAME ASSEMBLY (855 HD-25-1/2-60)	
1	101528	ELBOW, BR PIPE STR	6
2	115752	AXLE WELDMENT 2516 SPG 79 FRT	REF
3	115756	AXLE WELDMENT 2516 SPG 79 CTR	REF
4	138155	ADAPTER, 90	6
5	142445	HOSE ASSEMBLY, GREASE 1/4 X 102	2
6	142446	HOSE ASSEMBLY, GREASE 1/4 X 118	4
7	142451	HOSE ASSEMBLY, GREASE 1/4 X 156	2
8	142452	HOSE ASSEMBLY, GREASE 1/4 X 162	4
9	142545	NUT, HEX JAM 7/16-20	18
10	142553	DECAL, GREASE TRAILER	2
11	146924	HOSE ASSEMBLY, GREASE 1/4 X 36	6
12	161797	ADAPTER, STRAIGHT 5/16-18	6
13	2024-2-4S	ADAPTER, ELBOW	12

ILLUSTRATED PARTS LIST

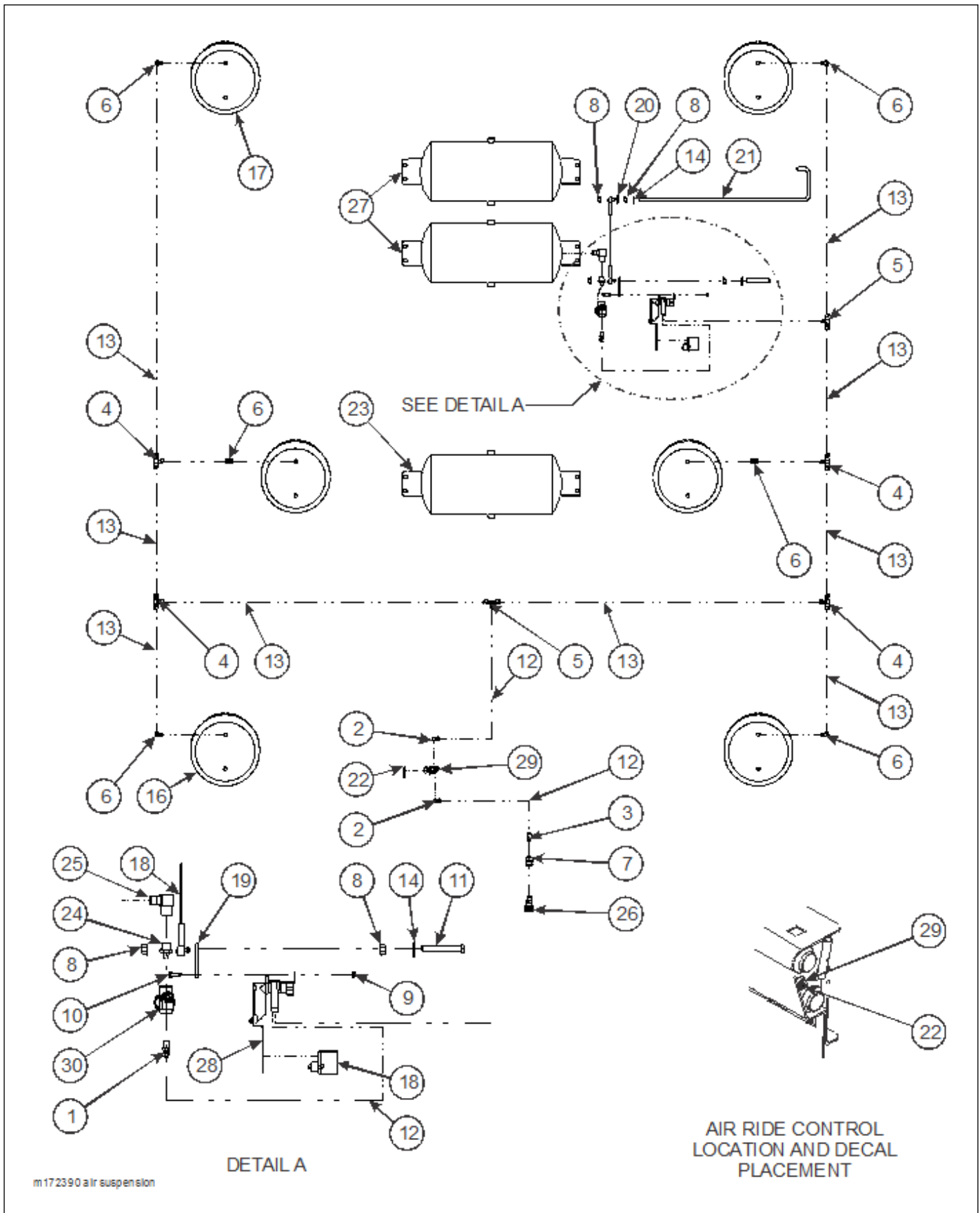
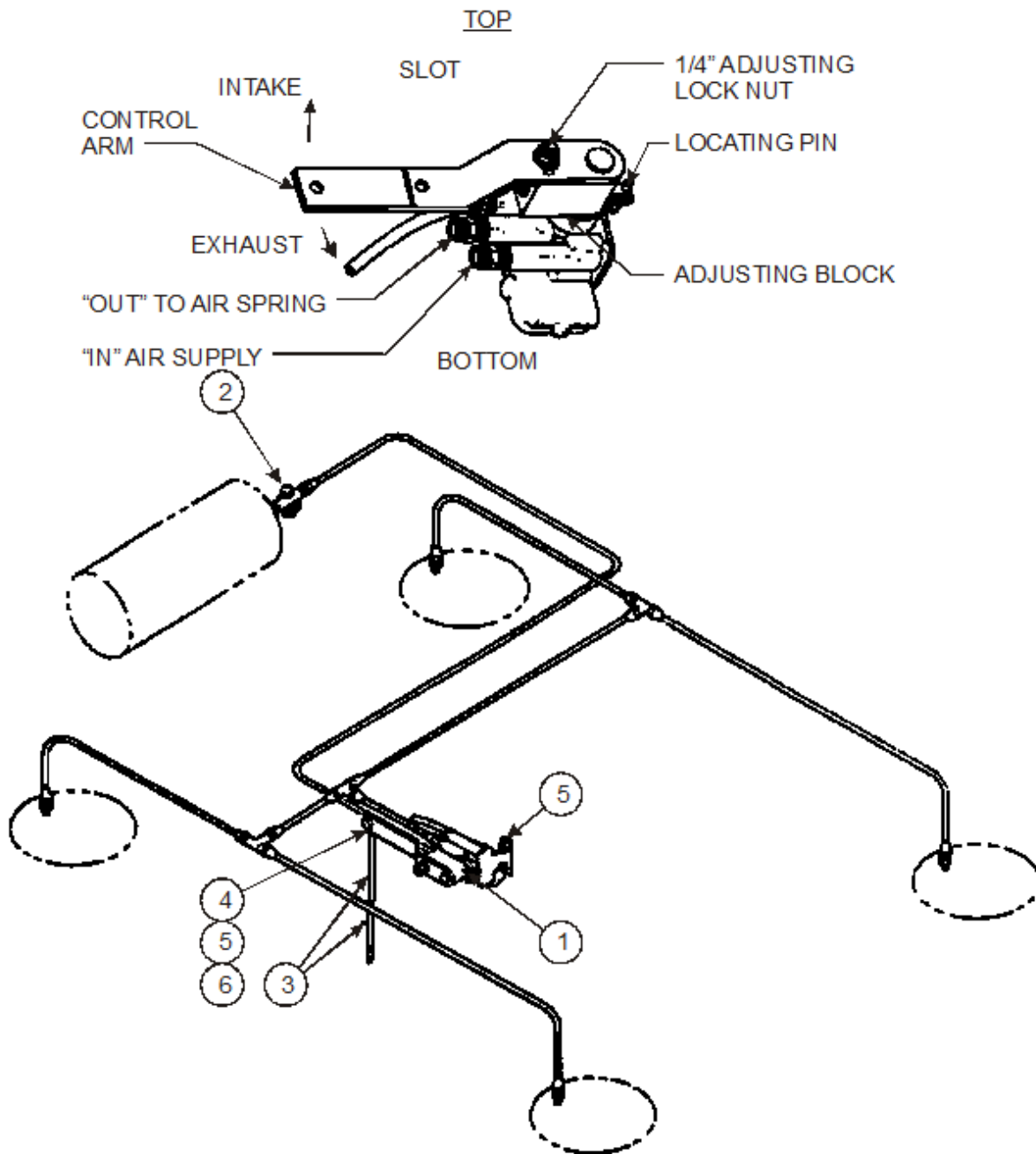


Figure 2-38: Frame Assembly - Air Ride Suspension (855 HD)

FRAME ASSEMBLY - AIR RIDE SUSPENSION (855 HD)

ITEM	PART NO.	DESCRIPTION	QTY.
	172390	FRAME ASSEMBLY (855 HD-26)	
	174247	FRAME ASSEMBLY, EXTRA X-MEMBERS (855 HD-26)	
	174666	FRAME ASSEMBLY, EXTRA X-MEMBERS HYD FLIP (855 HD-26)	
	173614	FRAME ASSEMBLY (855 HD-25-1/2-60)	
1	1-297-010007-05	FITTING, AIR	1
2	1-297-010008-05	FITTING, AIR 90	2
3	1-297-010008-09	FITTING, AIR 90	1
4	1-297-010010-03	FITTING, AIR UNION TEE	5
5	1-297-010010-04	FITTING, AIR UNION TEE	1
6	1-297-010013-11	FITTING, AIR 45 ELBOW	6
7	1-297-010022-03	FITTING, AIR	6
8	1-510-010003-09	NUT, FLANGE HEAD SERRATED 1/2-13	2
9	1-512-010005-01	NUT, HEX LOCK 1/4-20 GRB	4
10	1-654-010047-04	SCREW, HEX HEAD CAP 1/4-20 X 3/4 GR5	2
11	1-654-010055-11	SCREW, HEX HEAD CAP 1/2-13 X 3-1/2 GR5	1
12	1-833-010001	TUBING, NYLON 1/4	AR
13	1-833-010002	TUBING, NYLON 3/8	AR
14	1-861-010032-15	WASHER, FLAT 1/2W	1
15	102732	AIR CONTROL KIT (INCL ITEMS 18, 28, & 30) (SEE PAGE 2-65)	1
16	110618	SUSPENSION FASTENER, RLU 250-9-4 (SEE PAGE 2-69)	1
17	110622	SUSPENSION FASTENER, RLU 250 FMT (SEE PAGE 2-67)	1
18	111021	SRK - 167 KIT (ADJUSTABLE LINK ASSEMBLY)	REF
19	167846	LINK, VALVE HEIGHT CONTROL	1
20	167848	LINK, ROD HEIGHT CONTROL	1
21	167849	ROD, HEIGHT CONTROL	1
22	168973	DECAL, FLIP AXLE AIR BAGS	1
23	171664	AIR TANK W/ MODIFY BRACKET	REF
24	2083-4-4S	NIPPLE	1
25	2089-8-8S	ADAPTER, 90	1
26	3-220-010004	COUPLER, AIR FEMALE	1
27	3-780-010002	TANK, AIR 9.5 X 22.5	REF
28	900 54 007	HEIGHT CONTROL VALVE	REF
29	900-54-088	VALVE, AIR RIDE CONTROL	1
30	905-54-107	BRAKE PROTECTOR VALVE	REF

ILLUSTRATED PARTS LIST

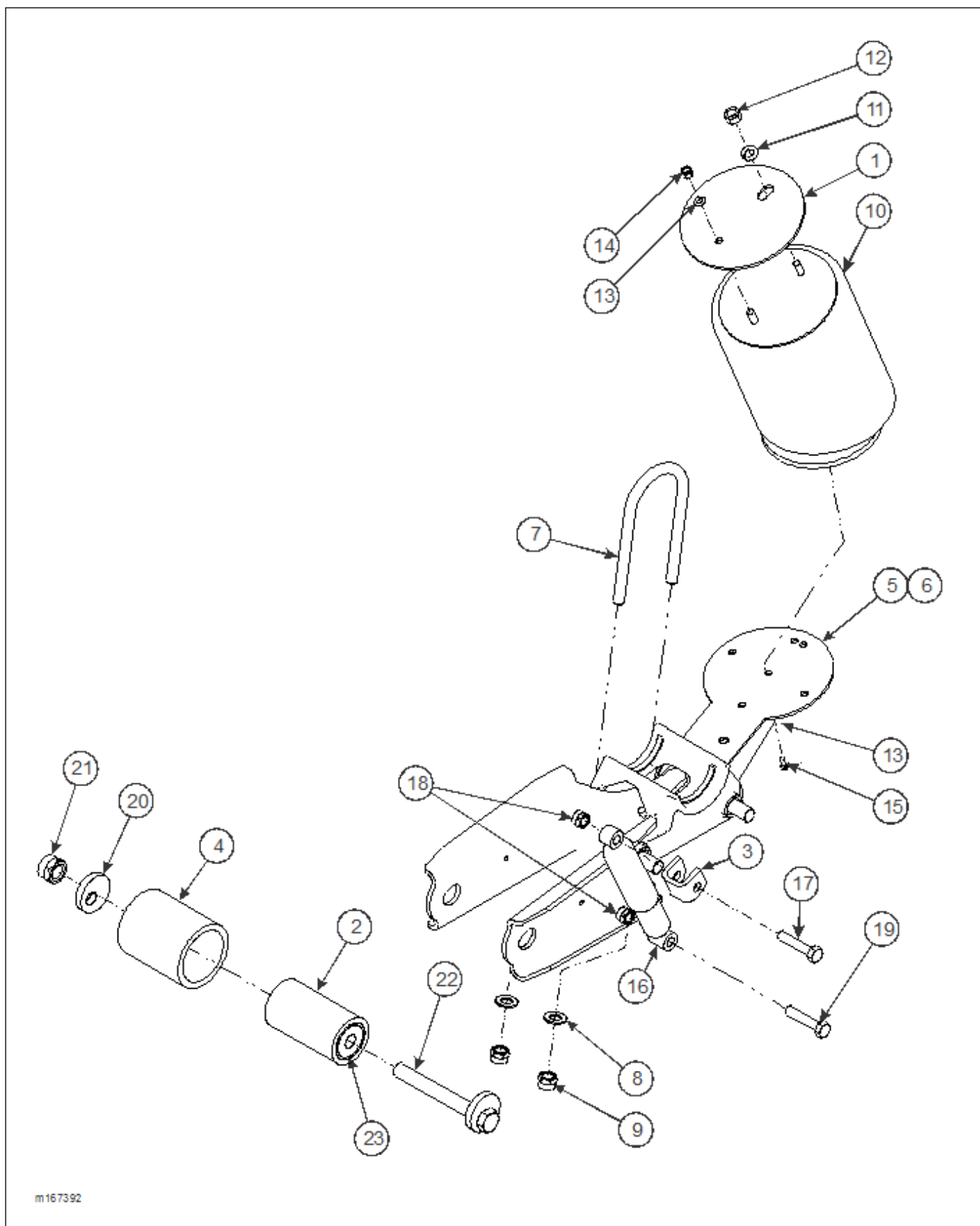


m102732

Figure 2-39: Air Control Kit

AIR CONTROL KIT

ITEM	PART NO.	DESCRIPTION	QTY.
	102732	AIR CONTROL KIT NEWAY	
1	900 54 007	HEIGHT CONTROL VALVE	1
2	905-54-107	AIR PRESSURE PROTECTION VALVE & FILTER	1
3	111021	SRK - 167 KIT (ADJUSTABLE LINK ASSEMBLY)	1
4	1-654-010047-04	SCREW, HEX HEAD CAP 1/4-20 X 3/4 GR5	2
5	1-512-010005-01	NUT, HEX LOCK 1/4-20 GRB	2
6	-----	DECAL (OPERATING)	1



m167392

Figure 2-40: Suspension, Fastener RLU 250 FMT

SUSPENSION HANGER RLU 250 FMT (FRONT)

ITEM	PART NO.	REFERENCE NO.	DESCRIPTION	QTY.
	128433		SUSPENSION RLU 250 FMT (MODEL 825 FRONT)	REF
	167392		SUSPENSION RLU 250 FMT LP (MODEL 835 FRONT)	REF
	110621		SUSPENSION BRACKET (ITEMS 1-4)	
	167391		SUSPENSION, BEAM RLU 250 FMT (ITEMS 5-9)	
	110622		SUSPENSION, FASTENER RLU 250 FMT (ITEMS 10-23)	
1	110615	90003785	AIR SPRING MOUNTING PLATE	2
2	111029	90538019	BUSHING YOKE	2
3	111027	90018159	BRACKET, SHOCK UPPER	2
4	111028	900 38 393	BUSHING SLEEVE 5.5	2
5	191588	90517226	BEAM EQUALIZING ASSY RH W/ ADAPTERS	1
6	191589	90517225	BEAM EQUALIZING ASSY LH W/ ADAPTERS	1
7	111033	900 41 170	U-BOLT .875-9 X 11 GR8	2
8	936 00 162	936 00 162	WASHER, FLAT .78	4
9	934 00 498	934 00 498	NUT, HEX LOCK .875-9 GRC	4
10	111036	905 57 235	AIR SPRING	2
11	1-512-010005-15	936 00 077	3/4 WASHER	2
12	934 00 149	934 00 149	3/4-16 HEX NUT (TOP OF AIR SPRING)	2
13	12486400-520	936 00 072	WASHER, 1/2	2
14	1-654-010051-05	930 02 571	SCREW, HEX HEAD CAP 3/8-16 X 1 GR5	2
15	12486400-521	934 00 136	1/2-13 HEX NUT	2
16	900-44-162	900 44 162	SHOCK ABSORBER	2
17	12486400-526	930 03 597	SCREW, HEX HEAD CAP 3/4-10 X 3-1/2 (UPPER SHOCK)	2
18	934-00-492	934-00-492	LOCK NUT 3/4-10 (UPPER SHOCK)	4
19	129004	930 03 609	SCREW, HEX HEAD CAP 3/4-10 X 4 GR5 (LOWER SHOCK)	2
20	129006	900 08 238	ALIGN BLOCK NON-WELD	2
21	111008	934 00 506	1-1/8" LOCK NUT	6
22	111038	905 08 016	ALIGNMENT BLOCK ASSEMBLY (PIVOT)	2
23	111037	936 00 530	WEAR WASHER 1.125	4
24	134144		ALIGNMENT, BLOCK ASSY (ITEMS 20-23)	1
	128433		SUSPENSION RLU 250 FMT (MODEL 825 FRONT)	REF
	167392		SUSPENSION RLU 250 FMT LP (MODEL 835 FRONT)	REF
	110621		SUSPENSION BRACKET (ITEMS 1-4)	

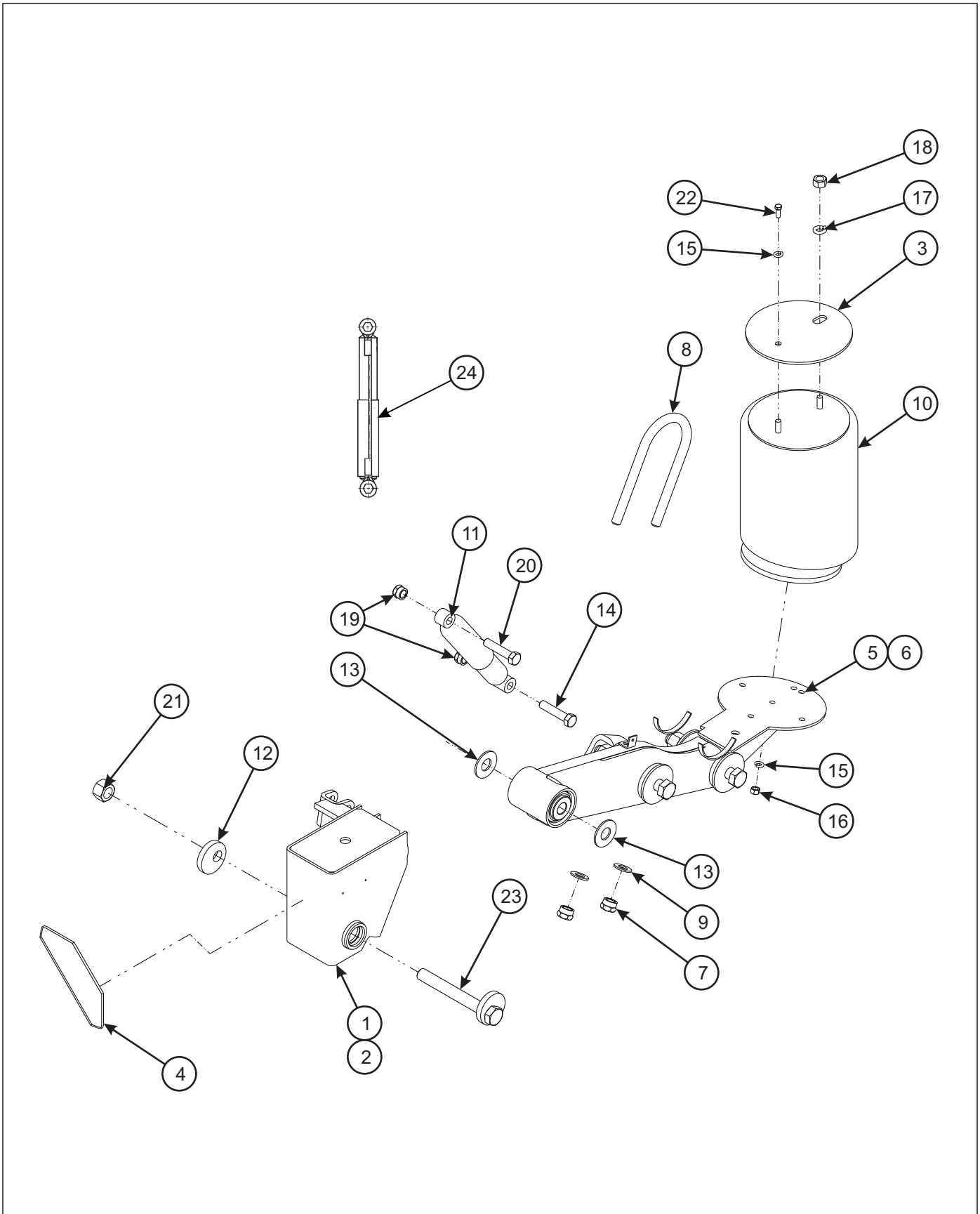
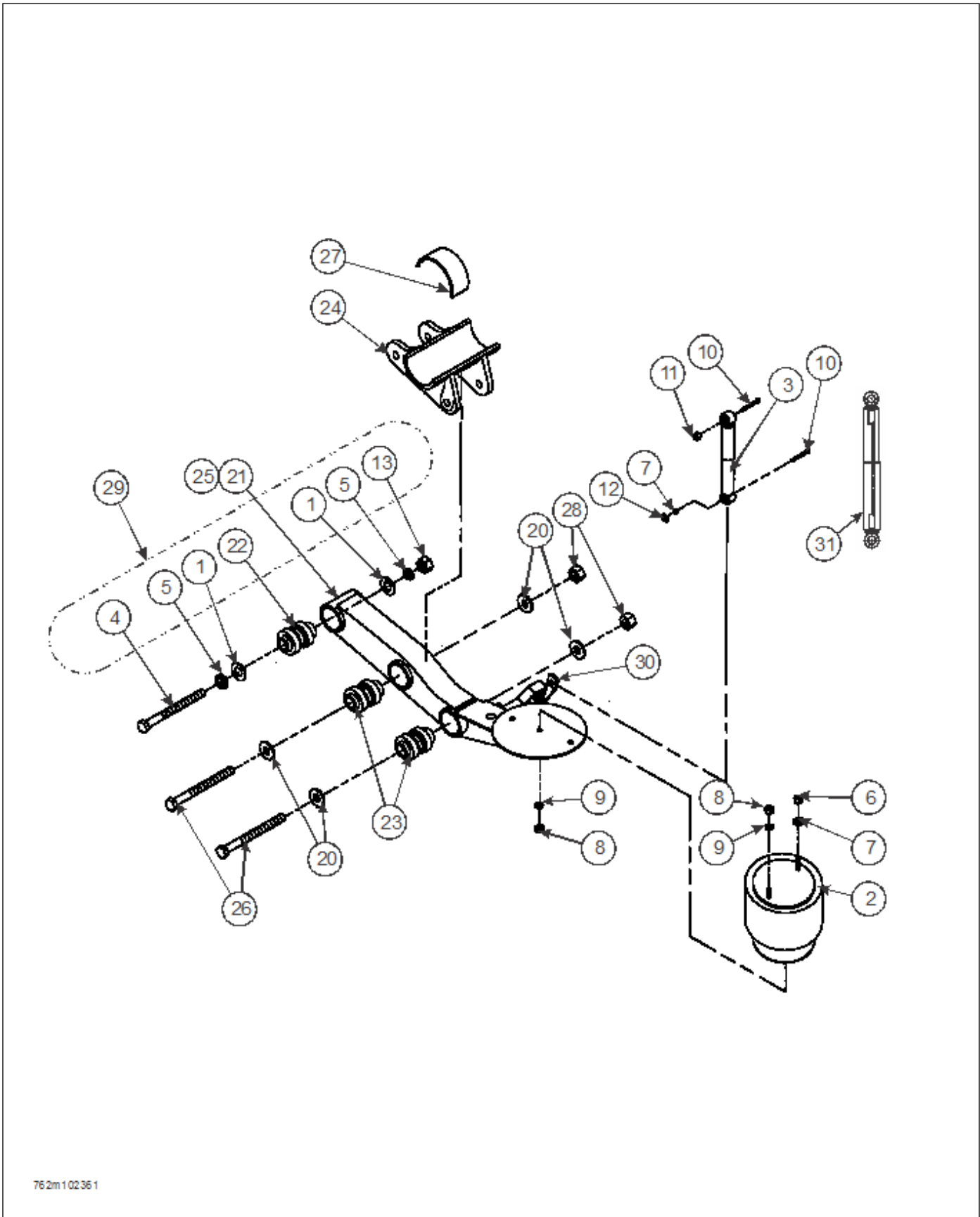


Figure 2-41: Suspension, Fastener RLU-250-9-4 (Center and Rear)

SUSPENSION HANGER RLU 250-9-4

ITEM	PART NO.	REFERENCE NO.	DESCRIPTION	QTY.
	128434		SUSPENSION RLU-250-9-4 (CENTER AND REAR)	REF
	110617		SUSPENSION BRACKET (ITEMS 1-4)	
1	111026	905 21 298	FRAME BRACKET (CURBSIDE EZ-ALIGN)	1
2	111025	905 21 297	FRAME BRACKET (ROADSIDE EZ-ALIGN)	1
3	110615	90033785	PLATE, AIR BAG MOUNT	2
4	900 23 002	900 23 002	ANGLE BRACE	2
	110616		SUSPENSION, BEAM RLU 250-9-4 (ITEMS 5-9)	
5	111031	905 46 795	EQUALIZING BEAM W/ ADAPTERS (ROADSIDE)	1
6	111030	905 46 796	EQUALIZING BEAM W/ ADAPTERS (CURBSIDE)	1
7	934 00 498	934 00 498	NUT, HEX LOCK .875-9 GRC	4
8	111033	900 41 170	U-BOLT .875-9 X 11 GR8	2
9	936 00 162	936 00 162	WASHER, FLAT .78	4
	110618		SUSPENSION, FASTENER RLU 250-9-4 (ITEMS 10-23)	
10	111036	905 57 235	AIR SPRING	2
11	900-44-162	900 44 162	SHOCK ABSORBER	2
12	129006	900 08 238	ALIGN BLOCK NON-WELD	2
13	900-36-177	900 36 177	1-1/8" SPACER WASHER	4
14	129004	930 03 609	SCREW, HEX HEAD CAP 3/4-10 X 4 GR5 (LOWER SHOCK BOLT)	2
15	12486400-520	936 00 072	WASHER, 1/2	2
16	1-654-010051-05	930 02 571	SCREW, HEX HEAD CAP 3/8-16 X 1 GR5	2
17	936 00 077	936 00 077	3/4 WASHER	2
18	934 00 149	934 00 149	3/4-16 HEX NUT (TOP OF AIR SPRING)	2
19	934 00 492	934 00 492	NUT, HEX 3/4-10 (UPPER SHOCK LOCK NUT)	4
20	12486400-526	930 03 597	SCREW, HEX HEAD CAP 3/4-10 X 3-1/2 (UPPER SHOCK)	2
21	111008	934 00 506	1-1/8" LOCK NUT	2
22	12486400-521	934 00 136	1/2-13 HEX NUT	2
23	129005	905 08 019	1-1/8-7 X 9.5" PIVOT BOLT ALIGNMENT BLOCK ASSEMBLY (EZ-ALIGN)	2
24	170115	----	WIRE ROPE STRAP KIT RLU 250-9-4	2

NOTE: QUANTITIES LISTED ARE PER AXLE.



762m102361

Figure 2-42: Suspension Hanger RLU-228

SUSPENSION HANGER RLU-228

ITEM	PART NO.	REFERENCE NO.	DESCRIPTION	QTY.
	102363		SUSPENSION, ADJ. RLU-228-3.5 (INCL ITEMS 1-19)	
	102364		SUSPENSION, ADJ. RLU-228-5.5 (INCL ITEMS 1-19)	
	102361		SUSPENSION, BEAM. RLU-228 (INCL ITEMS 20-28)	
1	111010	900 36 177	FLAT WASHER	2
2	905-57-129	905 57 129	AIR SPRING ASSEMBLY (102363)	2
	111016	905 57 159	AIR SPRING ASSEMBLY (102364)	2
3	900 45 040	900 45 040	SHOCK (102363)	2
	111017	900 44 642	SHOCK (102364)	2
4	90508009	905 08 009	ALIGN BUSH ASSEMBLY	2
5	111007	900 08 186	ALIGN BLOCK (900 08 186)	2
6	934 00 149	934 00 149	3/4-16 HEX NUT GRB	2
7	936 00 077	936 00 077	LOCK WASHER, 3/4"	4
8	1-512-010007-09	934 00 136	HEX NUT, 1/2-13	4
9	1-861-010034-13	936 00 072	LOCK WASHER, 1/2"	4
10	105408	930 03 597	HEX HEAD CAP SCREW 3/4-10 X 3-1/2	4
11	934 00 492	934 00 492	LOCK NUT, 3/4-10	2
12	111022	934 00 367	3/4-10 SQUARE NUT	2
13	111008	934 00 506	LOCK NUT 1-1/8-7	2
14	111018	900 54 038	ANCHOR, RIDE HEIGHT CONTROL VALVE (NOT SHOWN)	1
15	-----	941 00 787	LITERATURE INSTRUCTIONS (NOT SHOWN)	1
16	-----	941 00 685	LITERATURE SPEC (NOT SHOWN)	1
17	-----	941 00 648	LITERATURE FORM 864 (NOT SHOWN)	1
18	-----	941 00 590	LITERATURE LABEL (NOT SHOWN)	1
19	-----	941 00 790	LITERATURE LABEL (NOT SHOWN)	1
	111019	110 05 053	FASTENER KIT (INCL. 1, 4-11, 13, 15)	1
20	111010	900 36 177	FLAT WASHER	8
21	111013	905 16 600	EQUALIZING BEAM ASSEMBLY LH	1
22	900-08-139	900 08 139	RUBBER BUSHING (FRONT PIVOT)	2
23	111011	900 08 149	RUBBER BUSHING (AXLE CONNECTION)	4
24	111012	900 01 200	AXLE ADAPTER ASSEMBLY	2
25	111014	905 16 601	EQUALIZING BEAM ASSEMBLY RH	1
26	111023	932 01 051	HEX HEAD CAP SCREW 1-1/8-7 X 8-1/2	4
27	900-25-288	900 25 288	SAFETY STRAP	2
28	934-00-506	934 00 506	LOCK NUT 1-1/8-7	4
29	109533	481 00 294	ALIGNMENT BLOCK KIT	1
30	126900	905 20 543	BRACKET BOTTOM SHOCK (RLU-228)	1
31	141708		WIRE ROPE STRAP KIT RLU228-3.5	1
	127708		WIRE ROPE STRAP KIT RLU228-5.5	1

NOTE: QUANTITIES LISTED ARE PER AXLE

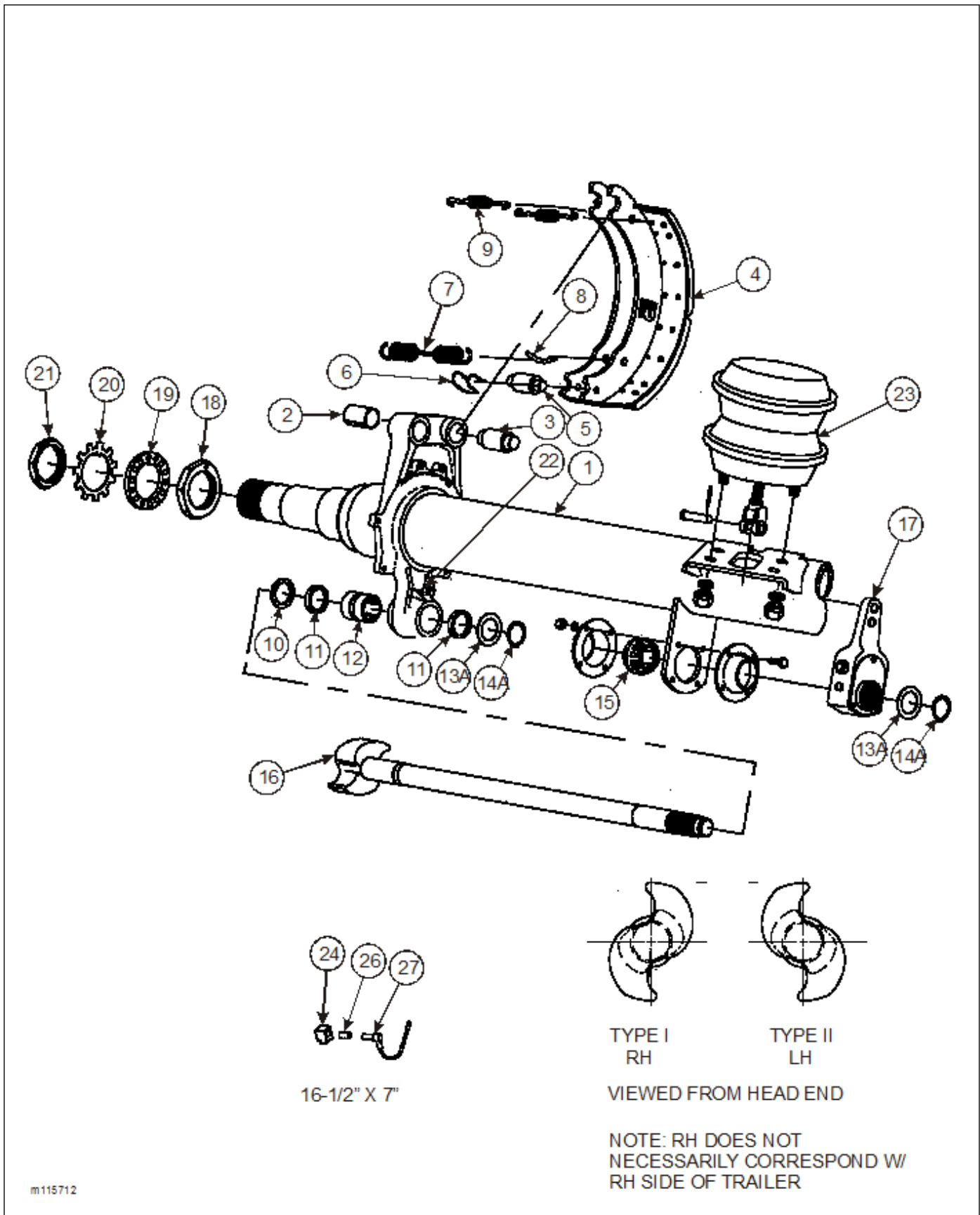


Figure 2-43: Axle and Brake Assembly

AXLE AND BRAKE ITEMS (DEXTER) (16-1/2" x 7")

ITEM	PART NO.	REFERENCE NO.	DESCRIPTION	QTY.
	115717		AXLE 79" TRK, 16.5 X 7 SPG BRK 25K	
	115722		AXLE 79" TRK, 16.5 X 7 SER BRK 25K	
	138956		AXLE 79" TRK, 16.5 X 7 SPG BRK 25K TIS	
	138960		AXLE 79" TRK, 16.5 X 7 SER BRK 25K TIS	
1A*	-----	D-2H16	BEAM W/ BRACKETS	1
	**K71-136-00	**K71-136-00	BRAKE SHOE HARDWARE KIT (ITEMS 2, 3, 5, 6, 7, 8, & 9)	
2**	-----	014-068-00	BUSHING, SPIDER ANCHOR PIN	4
3**	-----	056-017-00	PIN, ANCHOR	4
4	040-180-00	040-180-00	SHOE AND LINING ASSEMBLY	4
4A	-----	041-058-01	LINING - BRAKE BLOCK CAM	2
4B	-----	041-059-01	LINING - BRAKE BLOCK ANCHOR	4
	-----	K71-138-00	BRAKE BLOCK KIT	4
5**	014-065-00	014-065-00	ROLLER	4
6**	071-122-00	071-122-00	RETAINER, ROLLER	4
7**	046-096-00	046-096-00	SPRING, SHOE RETRACTOR	2
8**	056-018-00	056-018-00	RETAINER PIN RETRACTOR SPRING	4
9**	046-097-00	046-097-00	KEEPER SPRING	4
	138090	***K71-135-00	CAMSHAFT REPAIR KIT (ITEMS 10-15, & 22)	
10***	005-096-00	005-096-00	WASHER CAMSHAFT	2
11***	010-052-00	010-052-00	SEAL GREASE	4
12***	-----	014-056-00	BUSHING CAMSHAFT SPIDER	2
13A***	-----	005-134-00	WASHER CAMSHAFT END	2
14A***	069-078-00	069-078-00	RETAINER, CAMSHAFT END	2
15***	-----	014-058-00	BUSHING CAMSHAFT SUPPORT	2
16	137461	034-192-08	CAMSHAFT, 25" LH	1
	137485	034-193-08	CAMSHAFT, 25" RH	1
17	139383	055-040-98	SLACK ADJUSTER, AUTOMATIC	2
18	006-114-00	006-114-00	NUT, INNER SPINDLE	2
19	005-098-00	005-098-00	WASHER, SPINDLE LOCK	2
20	005-099-00	005-099-00	WASHER, TABBED SPINDLE LOCK	2
21	006-115-00	006-115-00	NUT, OUTER SPINDLE	2
22***	-----	061-006-00	FITTING, GREASE 45°	2
23	034-058-01	034-058-01	AIR CHAMBER, SPRING BRAKE	4
	034-057-01	034-057-01	AIR CHAMBER, SERVICE BRAKE	2
24	103805	024-100-00	SENSOR BLOCK	2
26	144979	097-002-00	RETAINER CLIP	2
27	128550	097-003-00	ABS SENSOR, 90	2

* WHEN ORDERING THE BEAM WITH SPINDLE, SPIDER, AND BRACKETS ATTACHED, YOU WILL NEED THE BEAM NUMBER, TRACK LENGTH, BRAKE SIZE, AND CAMSHAFT LENGTH.

** THESE PARTS ARE AVAILABLE AS PART OF THE BRAKE SHOE REPAIR KIT LISTED

*** THESE PARTS ARE AVAILABLE AS PART OF THE CAMSHAFT REPAIR KIT LISTED

NOTE: FOR HUB AND DRUM INFORMATION, SEE PAGE 2-79

DISC BRAKE & AXLE ITEMS

ITEM	PART NO.	REFERENCE NO.	DESCRIPTION	QTY.
	180768		AXLE 79", 16-1/2 DISC, 25K, TIS	
1		01011009400Z	NUT, AXLE PRO-TORQ	2
2	179570	04247301201Z	NUT, WHEEL, M22 X 1.5	2
3	201639	93400506	NUT, HEX, 1.125-7 GRC	2
4	-----	04343107588Z	BOLT, HEX, M8 X 1.25 X 40	2
5	-----	04343207800Z	BOLT, HUB CAP, .31-18 X .75 GR5	12
6	-----	04375100610	BOLT, FLANGE CALIPER, M18 X 1.5 X 55	6
7	-----	04375100810	BOLT, SHOULDER CALIPER, M18 X 1.5 X 55	2
8	-----	04375101210Z	BOLT, ROTOR ATTACHMENT	20
9	201636	93201070	BOLT, 1.12-7 X 8 GRB	2
10	201637	93600553	WASHER, 1.14 ID X 3.5 OD, GR8	4
11	201638	90008247	BUSHING, CAST BEEM	2
12	-----	04029107200	BUSHING, CLAMPING	2
13	-----	2073290000110	HUB, W/ BEARING CUPS	2
14	-----	2073190000100	HUB UNIT, W/ BEARING CUPS, LONG STUDS	2
15	192003	01231000900Z	BEARING CUP	4
16	192004	04200102300Z	BEARING, OUTER CONE	2
17	192063	04454115760	BRAKE CHAMBER	2
18	179579	04247405280Z	BRAKE CHAMBER NUT, .63-11 GRC	4
19	179581	03080005901Z	BRAKE CALIPER, RH 22.5"	1
	179580	03080006001Z	BRAKE CALIPER, LH 22.5"	1
20	-----	01093002300Z	GASKET, HUB CAP	2
21	-----	2024100000180	GROMMET	2
22	192005	201922222210	ROTOR, W/ ABS TONE RING, 22.5"	2
23	192006	01092003100Z	SEAL, HUB	2
24	-----	04194202301Z	CLAMP, DUST SHIELD	2
25	-----	2072100000030	WHEEL STUD, M22 X 1.5 X 112, LONG	20
26	179583	03057008500Z	BRAKE LINING	2
27	179582	03434381600Z	ADJUSTER CAP	2
28	-----	2047100000070	HUB CAP	2
29	-----	2032100000100	DUST SHIELD	2
30	-----	04029107100z	ABS SENSOR	2
31	-----	1022300000020	ABS SENSOR KIT	2
32	189323**	1022300000040	DUST SHIELD KIT	2
33	192007	2074200000210	HUB CAP KIT	2

NOTE: DUST SHIELD KIT (189323**) CONTAINS PARTS FOR ONLY 1 AXLE

ILLUSTRATED PARTS LIST

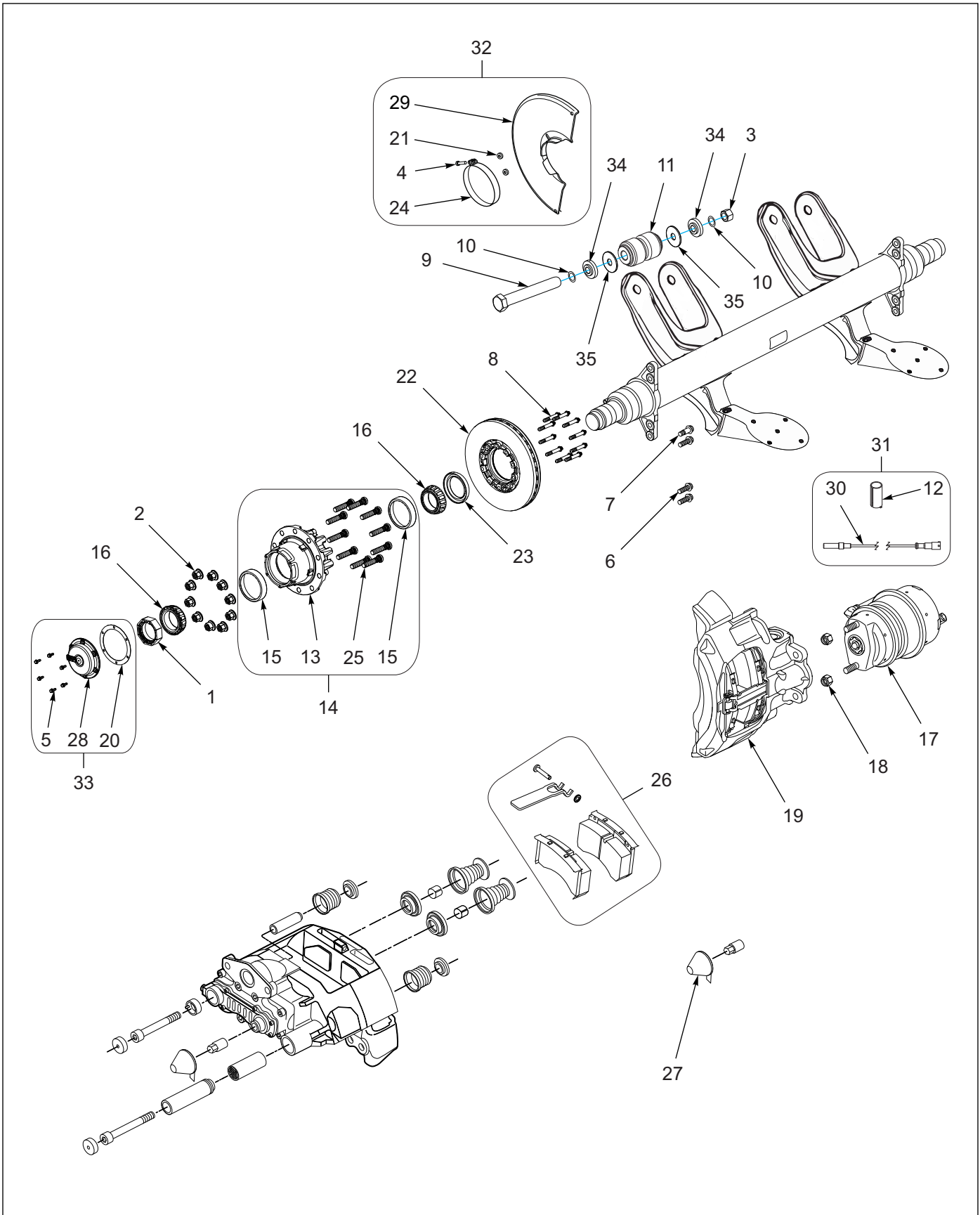


Figure 2-45: Disc Brake & Axle Items - Front Mount

DISC BRAKE & AXLE ITEMS - FRONT MOUNT

ITEM	PART NO.	DESCRIPTION	QTY.
	180757	AXLE 79", 16-1/2 DISC, 25K, TIS FMT	
1	----	NUT, AXLE PRO-TORQ	2
2	----	NUT, WHEEL, M22 X 1.5	2
3	-----*	NUT, HEX, 1.125-7 GRC	1
4	----	BOLT, HEX, M8 X 1.25 X 40	2
5	----	BOLT, HUB CAP, .31-18 X .75 GR5	12
6	----	BOLT, FLANGE CALIPER, M18 X 1.5 X 55	6
7	----	BOLT, SHOULDER CALIPER, M18 X 1.5 X 55	2
8	----	BOLT, ROTOR ATTACHMENT	20
9	-----*	BOLT, HEX, 1.13 X 7 X 11 GRB	1
10	-----*	WASHER, FLAT NARROW, 1.12	2
11	-----*	BUSHING, YOKE MOUNT PIVOT	1
12	----	BUSHING, CLAMPING	2
13	----	HUB, W/ BEARING CUPS	2
14	----	HUB UNIT, W/ BEARING CUPS, LONG STUDS	2
15	192003	BEARING CUP	4
16	192004	BEARING, OUTER CONE	2
17	192063	BRAKE CHAMBER	2
18	179579	BRAKE CHAMBER NUT, .63-11 GRC	4
19	179581	BRAKE CALIPER, RH 22.5"	1
	179580	BRAKE CALIPER, LH 22.5"	1
20	----	GASKET, HUB CAP	2
21	----	GROMMET	2
22	192005	ROTOR, W/ ABS TONE RING, 22.5"	2
23	192006	SEAL, HUB	2
24	----	CLAMP, DUST SHIELD	2
25	----	WHEEL STUD, M22 X 1.5 X 112, LONG	20
26	179583	BRAKE LINING	2
27	179582	ADJUSTER CAP	2
28	----	HUB CAP	2
29	----	DUST SHIELD	2
30	----	ABS SENSOR	2
31	----	ABS SENSOR KIT	2
32	189323**	DUST SHIELD KIT	2
33	192007	HUB CAP KIT	2
34	-----*	ALIGNMENT PUCK	2
35	-----*	WASHER, WEAR, 1.13	4

NOTES: 189323** DUST SHIELD KIT (CONTAINS PARTS FOR ONLY 1 AXLE)

201634* PIVOT KIT (CONTAINS ITEMS 3, 9-11, 34, & 35)

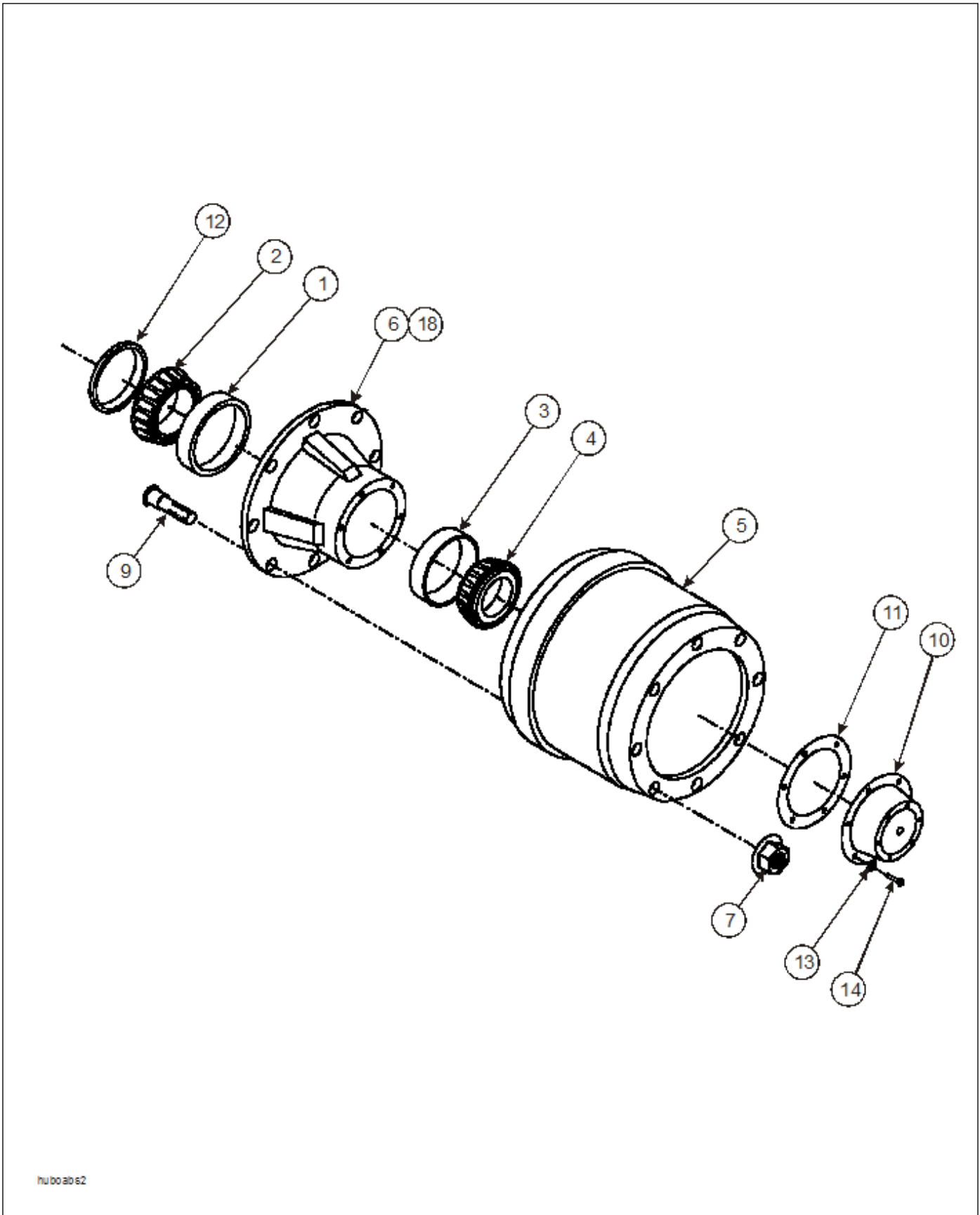


Figure 2-46: Outboard Pilot Mount Hub and Drum

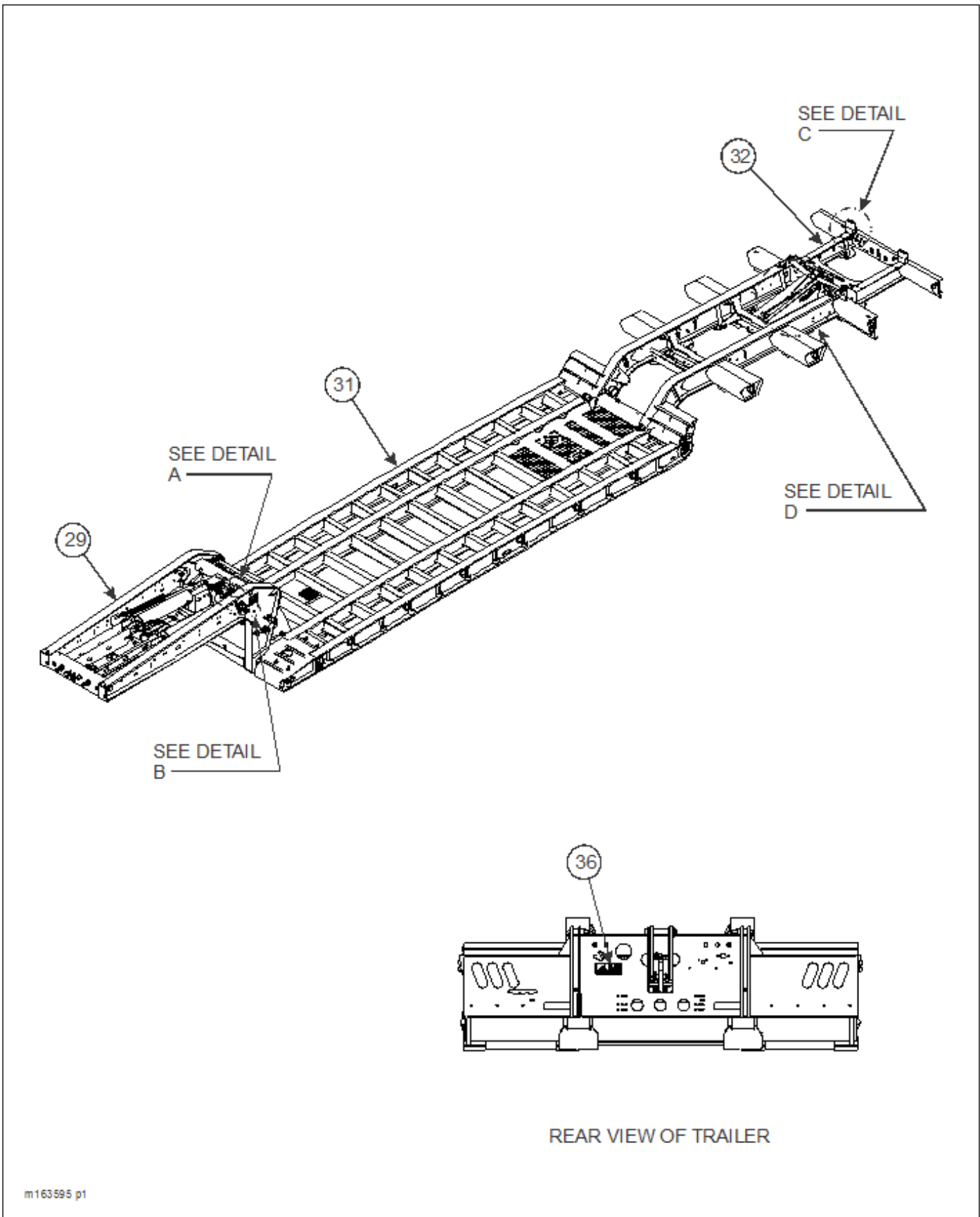
OUTBOARD PILOT MOUNT HUB AND DRUM ASSEMBLY

ITEM	PART NO.	DESCRIPTION	QTY.
1	HM218210	INNER BEARING CUP	1
2	HM218248	INNER BEARING CONE	1
3	HM212011	OUTER BEARING CUP	1
4	HM212049	OUTER BEARING CONE	1
5	110976	OUTBOARD MOUNTED BRAKE DRUM	1
6	110975	HUB W/ STUDS	1
7	179933	NUT FLANGE MM22X1.5	10
9	113536	STUD R.H. 22MM 3.5 STANDOUT	10
10	4009	CAP, HUB	1
11	3067	GASKET, OIL CAP	1
12	3-659-010012	SEAL	1
13	1-861-010034-10	WASHER, SPLIT LOCK 5/16	6
14	1-654-010049-03	SCREW, HEX HEAD CAP 5/16-18 GR5	6
15	3-870-010106	WHEEL, POLISHED ALUM PILOT MNT 22.5 X 7.50 (10 BOLT)	1
	111652	WHEEL, PILOT MNT 22.5 X 8.25, PP (10 BOLT) (ALUM COLOR.)	1
	3-870-010116	WHEEL, MACHINED ALUM PILOT MNT 22.5 X 7.50(10 BOLT)	1
	3-870-010110	WHEEL, DISC PILOT MNT 22.5 X 8.25 (10 BOLT)(STD. STEEL)	1
	111416	WHEEL, ALUM PILOT 22.5 X 8.25 POL (10 BOLT)	1
	111417	WHEEL, ALUM PILOT 22.5 X 8.25 MACH (10 BOLT)	1
	134757	WHEEL, ALUM PILOT 22.5 X 8.25 POL (10 BOLT)	1
	139600	WHEEL, ALUM DURABRITE 255/70R GY (10 BOLT)	1
	3-870-010104	WHEEL, DISC PILOT MOUNT 22.5 X 7.5	1
	150346	WHEEL, ALUM DURA BRT POL 22.5 X 8.25 (NOT SHOWN)	1
16	TR573	VALVE STEM (NOT SHOWN)	1
	TR545D	VALVE STEM (ALUM.) (NOT SHOWN)	1
18	*	ABS TONE RING	1
19	**120055	WHEEL GUARD 10 HOLE TANDEM (NOT SHOWN)	AR
	**120056	WHEEL GUARD 10 HOLE TRIPLE (NOT SHOWN)	AR
	**164881	WHEEL GUARD 10 HOLE 4 AX (NOT SHOWN)	AR
	**120054	WHEEL GUARD 10 HOLE 1 AX FLIP (NOT SHOWN)	AR
20	137108	HUBODOMETER 255/70R22.5 TIRE (NOT SHOWN)	1
21	144724	LUG NUT COVERS (NOT SHOWN)	AR

*THIS PART SHOULD BE REPLACED IN CONJUNCTION WITH HUB ONLY. IT SHOULD NEVER BE SOLD SEPARATELY.

**USE BETWEEN STEEL DRUM OR WHEEL AND ALUMINUM WHEEL.

ILLUSTRATED PARTS LIST



m163595 p1

Figure 2-47: Modified Trailer Assembly for Hydraulic Flip

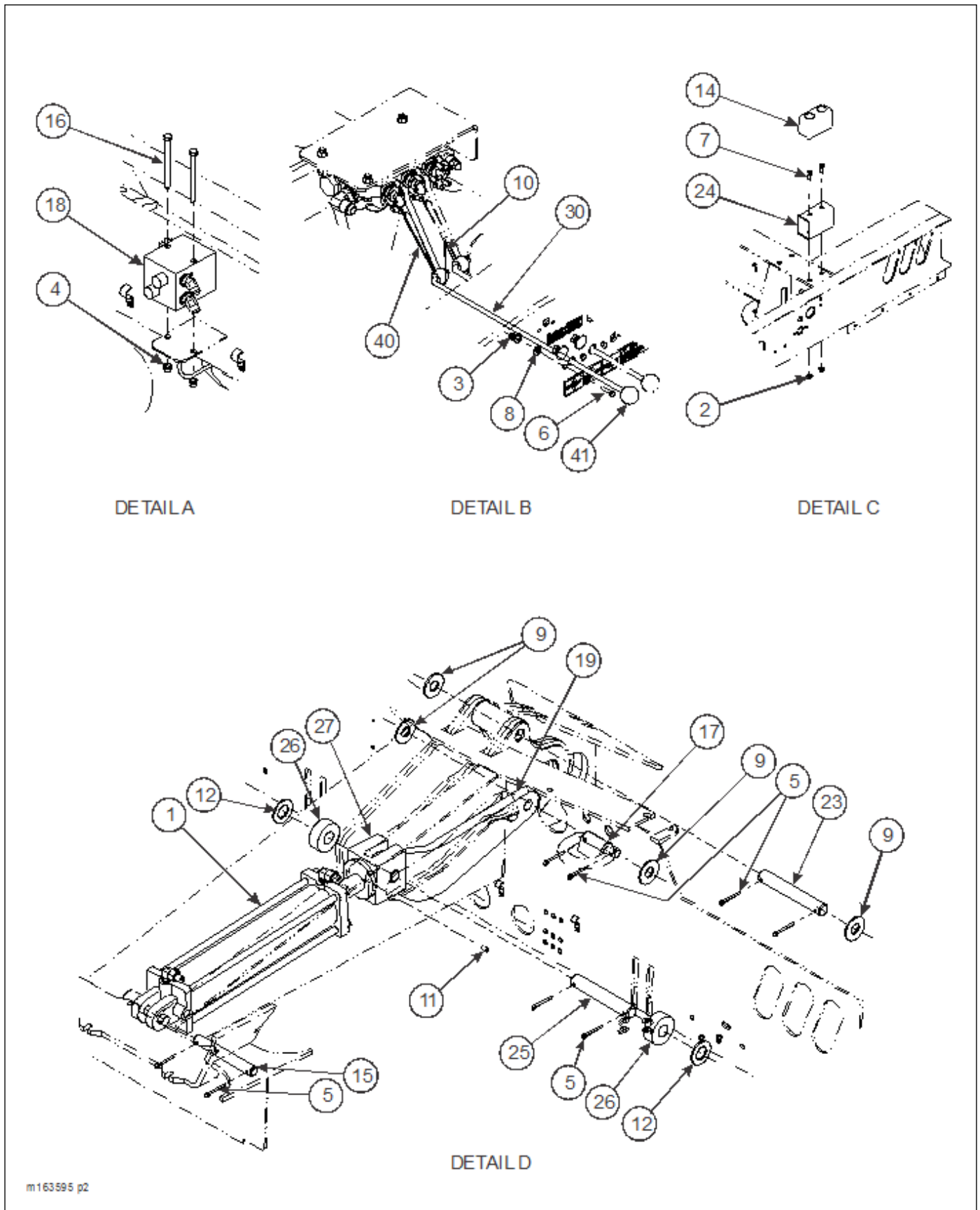
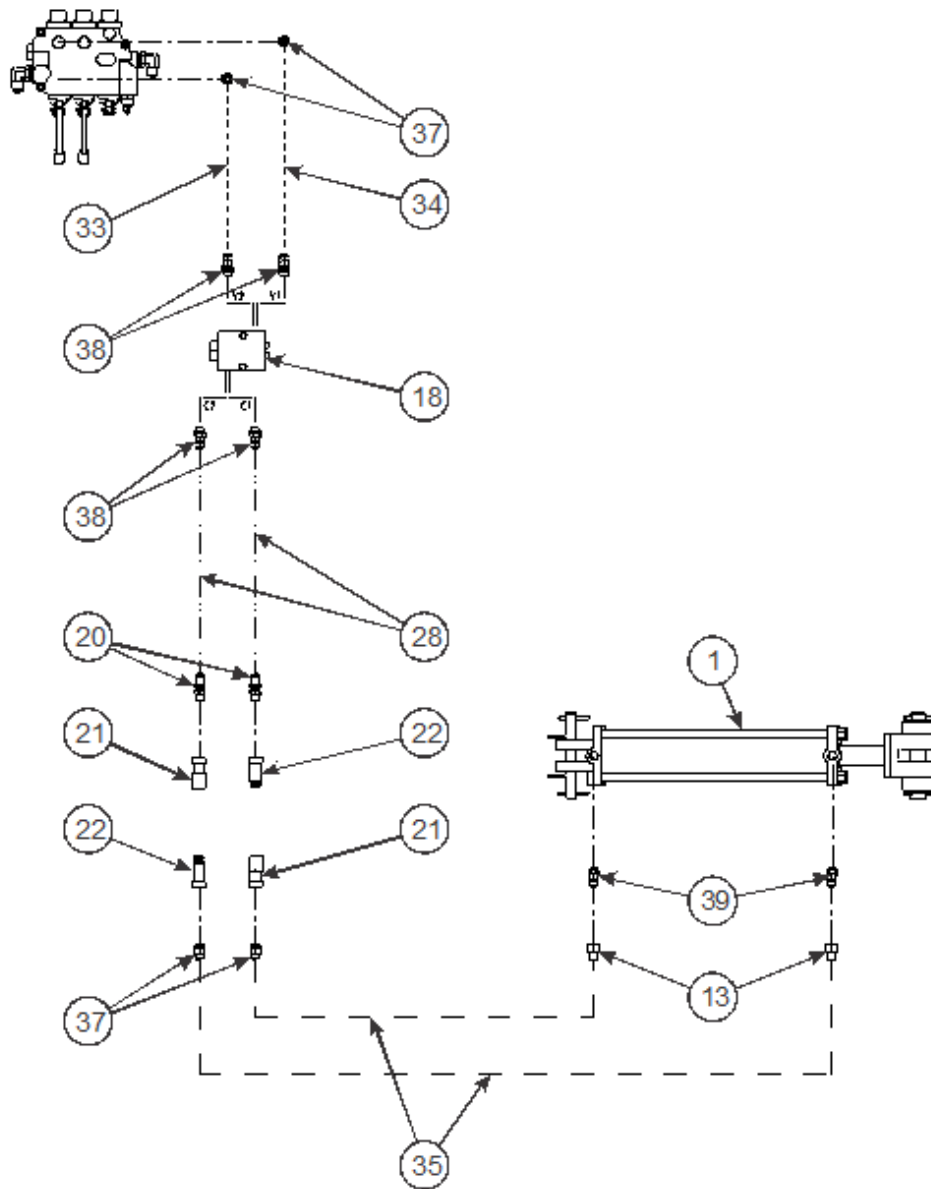


Figure 2-48: Modified Trailer Assembly for Hydraulic Flip



m163595 p3

Figure 2-49: Modified Trailer Assembly for Hydraulic Flip

MODIFIED TRAILER ASSEMBLY FOR HYDRAULIC FLIP

ITEM	PART NO.	DESCRIPTION	QTY.
	163595	MODIFIED TRAILER ASSEMBLY FOR HYDRAULIC FLIP	
1	1-242-010180-3	CYLINDER, HYDRAULIC 4 X 20 (SEE PAGE 2-103)	1
2	1-510-010003-09	NUT, FLANGE HEAD SERRATED 1/2-13	4
3	1-512-010005-01	NUT, HEX LOCK 1/4-20 GRB	2
4	1-512-010005-05	NUT, HEX LOCK 3/8-16 GRB	8
5	1-557-010362-63	PIN, COTTER 1/4 X 2	2
6	1-654-010047-06	SCREW, HEX HEAD CAP 1/4-20 X 1 GR5	2
7	1-654-010055-02	SCREW, HEX HEAD CAP 1/2-13 X 1-1/4 GR5	4
8	1-861-010032-07	WASHER, FLAT 1/4W	2
9	1-861-010032-25	WASHER, FLAT 1W	1
10	101386	PIN, COTTER 1/8 X 1	1
11	114987	SET SCREW, HEX SOCKET CUP POINT 3/8-16 X 3/4	1
12	116100	WASHER, FLAT 1-1/4N	1
13	127806	WASHER, FLAT 1-1/4N	2
14	128874	BUMPER, RUBBER 6 X 3 X 3-1/2	2
15	129146	HINGE PIN, BUMPER PIVOT	1
16	129698	SCREW, HEX HEAD CAP 3/8-16 X 4-1/2 GR5	2
17	133458	PIN, CYLINDER ROD END	1
18	145377	VALVE, 6 GPM FLOW CONTROL 2 PORT	1
19	148028	LINK, HYD FLIP AXLE	1
20	148043	ADAPTER, BULKHEAD	2
21	148044	COUPLER, FLAT FACE FEMALE	2
22	148045	COUPLER, FLAT FACE MALE	2
23	148783	PIN, HINGE HYD FLIP	1
24	148811	MOUNT, RUBBER BUMPER (ONLY USED IF NO BED)	2
25	150057	HINGE PIN, HYD FLIP	1
26	150058	ROLLER, HYD FLIP AXLE	2
27	150059	CLEVIS, CYLINDER FLIP AXLE	1
28	163051	HOSE ASSEMBLY 3/8 X 40	2
29	-----	GOOSENECK ASSEMBLY	REF
30	163346	HANDLE EXTENSION	1
31	----	FRAME WELDMENT	REF
32	-----	FLIP WELDMENT	REF
33	163780	HOSE ASSEMBLY 3/8 X 13	1
34	163781	HOSE ASSEMBLY 3/8 X 17	1
35	163784	HOSE ASSEMBLY 3/8 X 585	2
36	2-573-010037	DECAL, DANGER WING	1
37	202702-8-8S	ADAPTER	6
38	2061-8-8S	ADAPTER, 45	2
39	2062-8-8S	ADAPTER, 90	2
40	3-360-010008	VALVE, HANDLE MODIFICATION	1
41	95	KNOB	1

ILLUSTRATED PARTS LIST

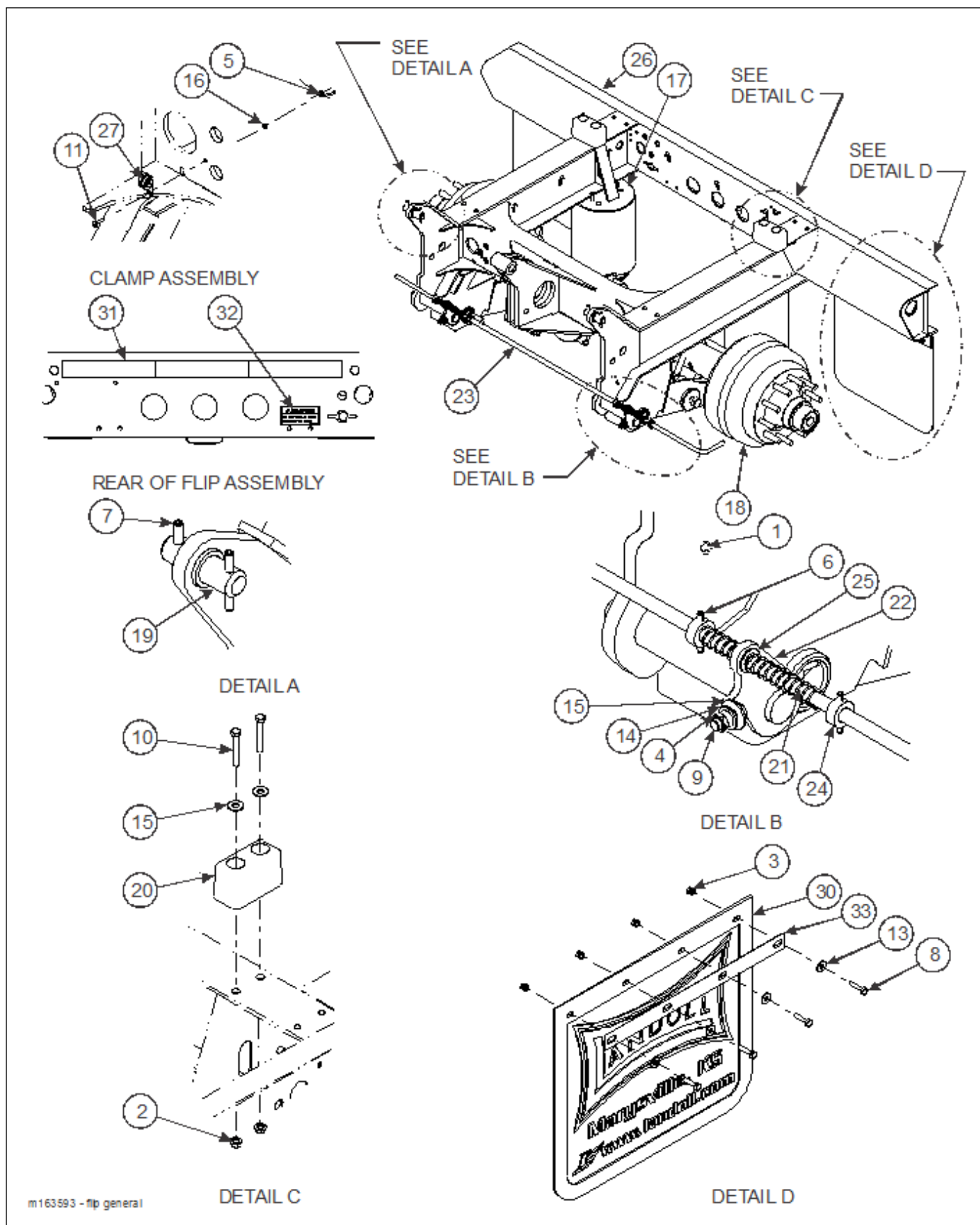
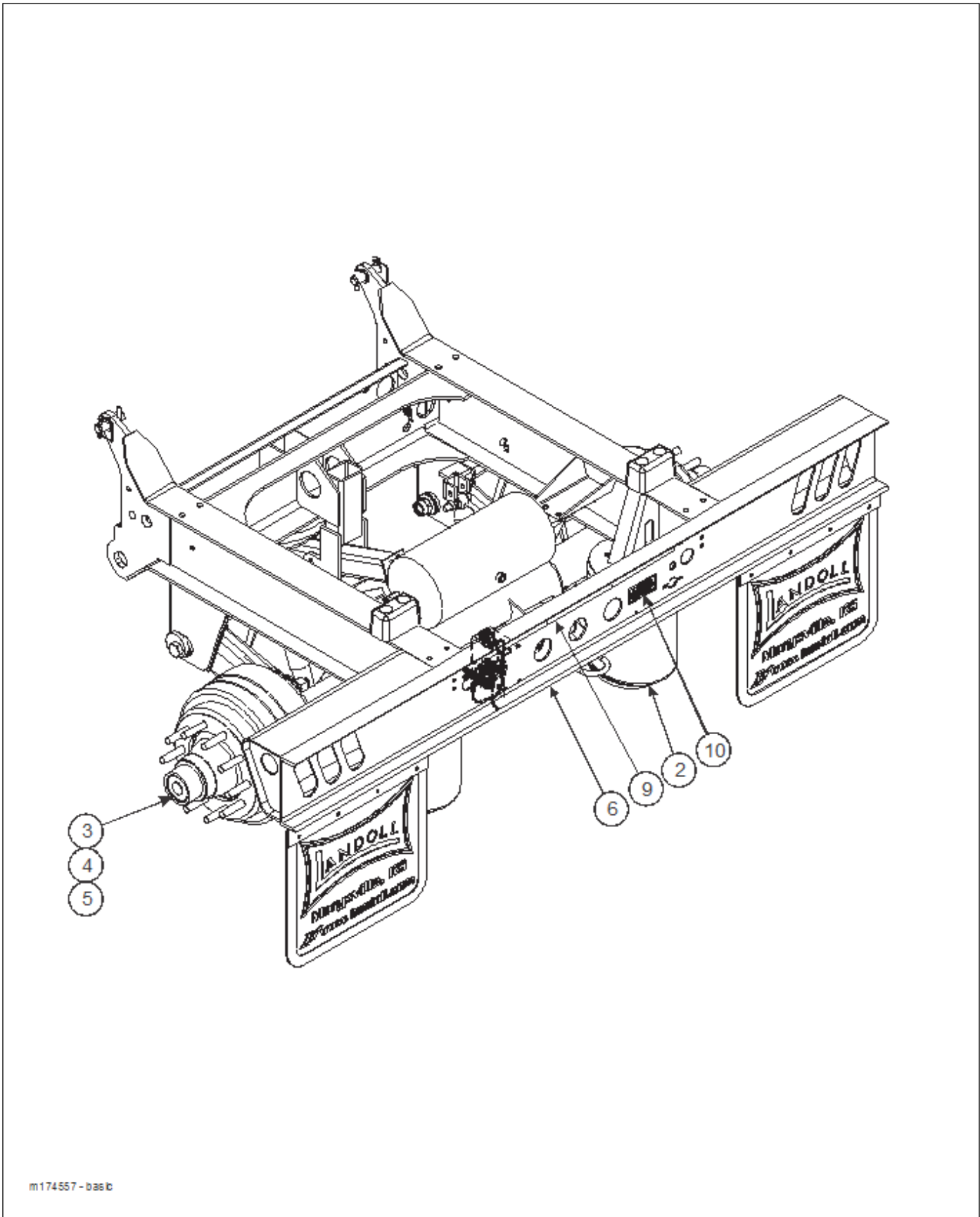


Figure 2-50: Standard Flip Assembly - General

STANDARD FLIP ASSEMBLY - GENERAL

ITEM	PART NO.	DESCRIPTION	QTY.
	163593	FLIP ASSEMBLY - 800-54 LED	
	163594	FLIP ASSEMBLY - 800-54 LED TIS	
	168970	FLIP ASSEMBLY - 800-60 LED	
	168971	FLIP ASSEMBLY - 800-60 LED TIS	
	165175	FLIP ASSEMBLY - 800-54 W/ SPRING PIN	
	165176	FLIP ASSEMBLY - 800-54 W/ SPRING PIN TIS	
1	1-298-010001-1	FITTING, GREASE 1/4-28	2
2	1-510-010003-09	NUT, FLANGE HEAD SERRATED 1/2-13	4
3	1-512-010005-05	NUT, HEX LOCK 3/8-16 GRB	8
4	1-512-010005-09	NUT, HEX LOCK 1/2-13 GRB	2
5	1-512-010007-03	NUT, HEX 10-24 GRB	1
6	1-647-010004221	ROLL PIN, SLOTTED 1/4 X 2	4
7	1-647-010004259	ROLL PIN, SLOTTED 3/8 X 3	4
8	1-654-010051-07	SCREW, HEX HEAD CAP 3/8-16 X 1-1/2 GR5	8
9	1-654-010055-02	SCREW, HEX HEAD CAP 1/2-13 X 1-1/4 GR5	2
10	1-654-010055-10	SCREW, HEX HEAD CAP 1/2-13 X 3-1/4 GR5	4
11	1-656-010003051	SCREW, RD HEAD MACH 10-24 X 3/4	1
12	1-796-010003-01	TIE STRAP, PLASTIC (NOT SHOWN)	AR
13	1-861-010032-11	WASHER, FLAT 3/8W	8
14	1-861-010032-14	WASHER, FLAT 1/2N	2
15	1-861-010032-15	WASHER FLAT 1/2W	6
16	1-861-010034-07	WASHER SPLIT LOCK #10	1
17	110618	SUSPENSION FASTENER RLU250-9-4 (SEE PAGE 2-69)	1
18	115757	AXLE WELDMENT RLU 250 D2516-SER-79	1
	138963	AXLE WELDMENT 2516 SER 79 TIS (FOR AXLE BREAKDOWNS, SEE PAGE 2-73)	1
19	128873	PIN, FLIP W/ BUSHING	2
20	128874	BUMPER, RUBBER 6 X 3 X 3-1/2	2
21	163567	SPRING, COMP	4
22	163572	PIN WELDMENT, FLIP AXLE LOWER	2
23	163573	PIN, CONTROL FLIP RELEASE	1
24	163574	BUSHING, STOP PIN	4
25	163575	WASHER, SPRING RELEASE PIN	4
26	163592	FLIP WELDMENT, HYDRAULIC (163593 & 163594)	1
	168968	FLIP WELDMENT, HYDRAULIC (168970 & 168971)	1
	163549	FLIP WELDMENT (165175 & 165176)	1
27	239-9076-006	CLAMP, HOSE LOOM 3/4	1
28	3-201-010002	CONDUIT, FLEX PLASTIC 3/8 (NOT SHOWN)	1
29	3-395-010001	HOSE, CF FIRE (NOT SHOWN)	1
30	3-485-010001	MUD FLAP 21"	2
31	3-573-010377	DECAL, 2" REFLEXITE TAPE RED/WHITE	AR
32	3-573-010496	DECAL, WARNING TIE DOWN (FLIP WELDMENT)	1
33	3-762-010017	CLAMP, MUD FLAP	2
34	-----	STD FLIP ASSEMBLY - AIR RIDE SUSPENSION (SEE PAGE 2-91)	REF
35	-----	FLIP ASSEMBLY - ELECTRICAL SYSTEM (SEE PAGE 2-95)	REF
36	-----	FLIP ASSEMBLY - AIR BRAKE SYSTEM (SEE PAGE 2-97)	REF
37	-----	FLIP ASSEMBLY - GREASE SYSTEM (SEE PAGE 2-99)	REF
38	-----	FLIP ASSEMBLY - TIRE INFLATION SYSTEM (SEE PAGE 2-101)	REF



m174557 - basic

Figure 2-51: Flip Assembly w/ Air Lift Axle - Basic

FLIP ASSEMBLY W/ AIR LIFT AXLE - BASIC

ITEM	PART NO.	DESCRIPTION	QTY.
	174067	FLIP ASSEMBLY W/ AIR LIFT AXLE - 800-60 LED	
	174068	FLIP ASSEMBLY W/ AIR LIFT AXLE - 800-60 LED TIS	
1	1-796-010003-01	TIE STRAP, PLASTIC (NOT SHOWN)	AR
2	110618	SUSPENSION FASTENER RLU250-9-4 (SEE PAGE 2-69)	1
3	115757	AXLE WELDMENT RLU 250 D2516-SER-79 (174067)	1
4	138963	AXLE WELDMENT 2516 SER 79 TIS (174068) (FOR AXLE BREAKDOWNS, SEE PAGE 2-73)	1
5	140450	REAR SUSPENSION AIR LIFT ASSEMBLY	.5
6	174066	FLIP WELDMENT W/ AIR LIFT AXLE	1
7	3-201-010002	CONDUIT, FLEX PLASTIC 3/8 (NOT SHOWN)	1
8	3-395-010001	HOSE, CF FIRE (NOT SHOWN)	1
9	3-573-010377	DECAL, 2" REFLEXITE TAPE RED/WHITE	AR
10	3-573-010496	DECAL, WARNING TIE DOWN (FLIP WELDMENT)	1
11	-----	FLIP ASSEMBLY W/ AIR LIFT AXLE - GENERAL (SEE PAGE 2-89)	REF
12	-----	FLIP ASSEMBLY W/ AIR LIFT AXLE - AIR RIDE SUSPESION (SEE PAGE 2-93)	REF
13	-----	FLIP ASSEMBLY - ELECTRICAL SYSTEM (SEE PAGE 2-95)	REF
14	-----	FLIP ASSEMBLY - AIR BRAKE SYSTEM (SEE PAGE 2-97)	REF
15	-----	FLIP ASSEMBLY - GREASE SYSTEM (SEE PAGE 2-99)	REF
16	-----	FLIP ASSEMBLY - TIRE INFLATION SYSTEM (SEE PAGE 2-101)	REF

ILLUSTRATED PARTS LIST

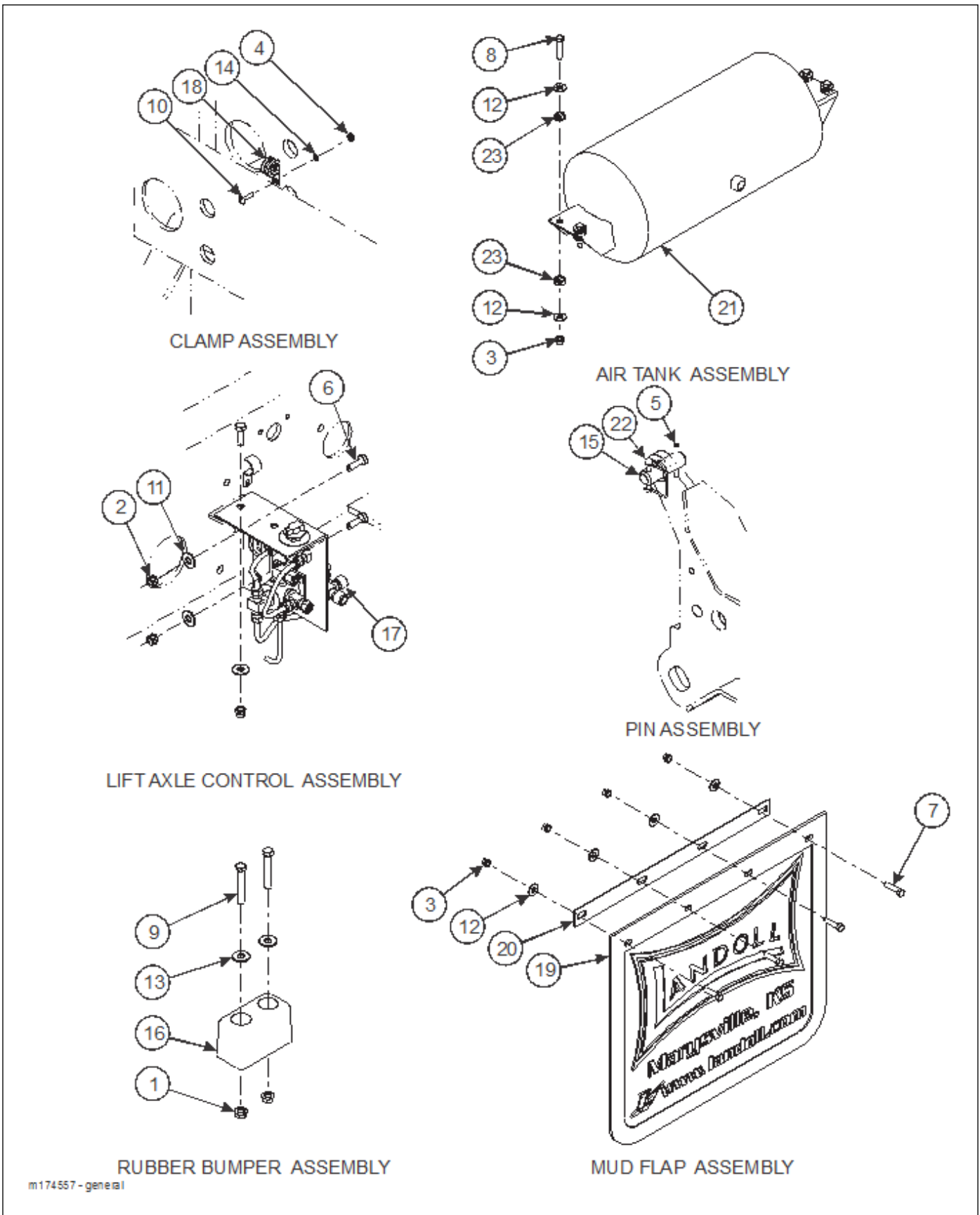
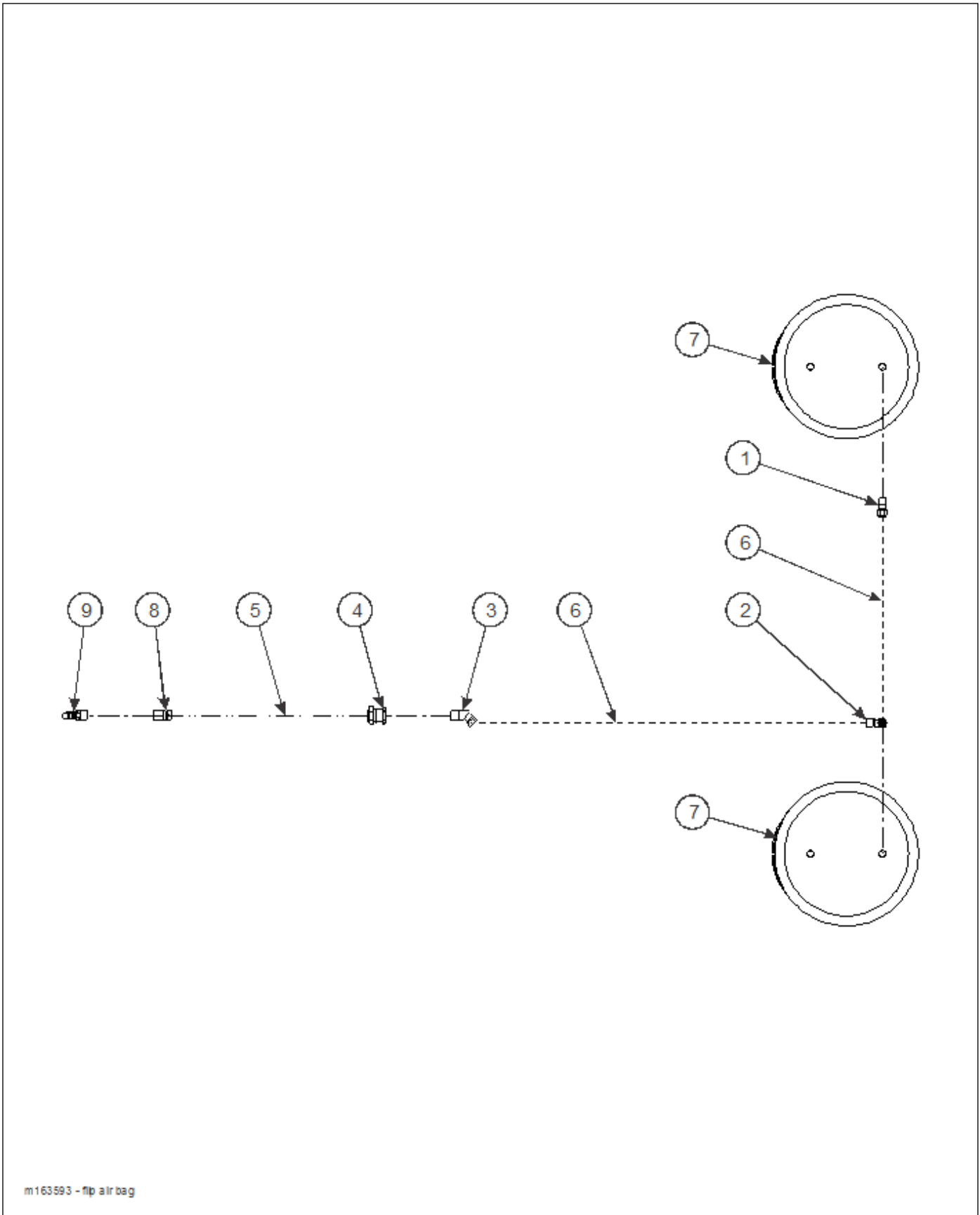


Figure 2-52: Flip Assembly w/ Air Lift Axle - General

FLIP ASSEMBLY W/ AIR LIFT AXLE - GENERAL

ITEM	PART NO.	DESCRIPTION	QTY.
	174067	FLIP ASSEMBLY W/ AIR LIFT AXLE - 800-60 LED	
	174068	FLIP ASSEMBLY W/ AIR LIFT AXLE - 800-60 LED TIS	
1	1-510-010003-09	NUT, FLANGE HEAD SERRATED 1/2-13	4
2	1-512-010005-03	NUT, HEX LOCK 5/16-18 GRB	15
3	1-512-010005-05	NUT, HEX LOCK 3/8-16 GRB	8
4	1-512-010007-03	NUT, HEX 10-24 GRB	1
5	1-647-010004259	ROLL PIN, SLOTTED 3/8 X 3	4
6	1-654-010049-05	SCREW, HEX HEAD CAP 5/16-18 X 1 GR5	3
7	1-654-010051-07	SCREW, HEX HEAD CAP 3/8-16 X 1-1/2 GR5	8
8	1-654-010051-08	SCREW, HEX HEAD CAP 3/8-16 X 1-3/4 GR5	4
9	1-654-010055-10	SCREW, HEX HEAD CAP 1/2-13 X 3-1/4 GR5	4
10	1-656-010003051	SCREW, RD HEAD MACH 10-24 X 3/4	1
11	1-861-010032-09	WASHER, FLAT 5/16W	15
12	1-861-010032-11	WASHER, FLAT 3/8W	8
13	1-861-010032-15	WASHER FLAT 1/2W	6
14	1-861-010034-07	WASHER SPLIT LOCK #10	1
15	128873	PIN, FLIP W/ BUSHING	2
16	128874	BUMPER, RUBBER 6 X 3 X 3-1/2	2
17	140369	CONTROL ASSEMBLY, LIFT AXLE (FLIP) (SEE PAGE 2-171)	1
18	239-9076-006	CLAMP, HOSE LOOM 3/4	1
19	3-485-010001	MUD FLAP 21"	2
20	3-762-010017	CLAMP, MUD FLAP	2
21	3-780-010002	AIR TANK	1
22	516-22PTL	PIN, MUD FLAP	4
23	805-2	BUSHING, STEP	8



m163593 - flip air bag

Figure 2-53: Standard Flip Assembly - Air Ride Suspension

STANDARD FLIP ASSEMBLY - AIR RIDE SUSPENSION

ITEM	PART NO.	DESCRIPTION	QTY.
	163593	FLIP ASSEMBLY - 800-54 LED	
	163594	FLIP ASSEMBLY - 800-54 LED TIS	
	168970	FLIP ASSEMBLY - 800-60 LED	
	168971	FLIP ASSEMBLY - 800-60 LED TIS	
	165175	FLIP ASSEMBLY - 800-54 W/ SPRING PIN	
	165176	FLIP ASSEMBLY - 800-54 W/ SPRING PIN TIS	
1	1-297-010008-18	FITTING, AIR 90	1
2	1-297-010011-04	FITTING AIR M/RUN TEE	1
3	1-297-010013-12	FITTING, AIR 45	1
4	1-297-010022-03	FITTING, AIR ANCHOR COUPLING	1
5	1-384-010038030	HOSE, AIR 3/8 X 30 (163593, 163594, 168970, & 168971)	1
	1-384-010038038	HOSE, AIR 3/8 X 38 (165175 & 165176)	1
6	1-833-010002	TUBING, NYLON 3/8	AR
7	110618	SUSPENSION FASTENER RLU250-9-4 (SEE PAGE 2-69)	REF
8	2046-6-6S	CONNECTOR, HYDRAULIC	1
9	3-220-010005	COUPLER, AIR MALE	1

ILLUSTRATED PARTS LIST

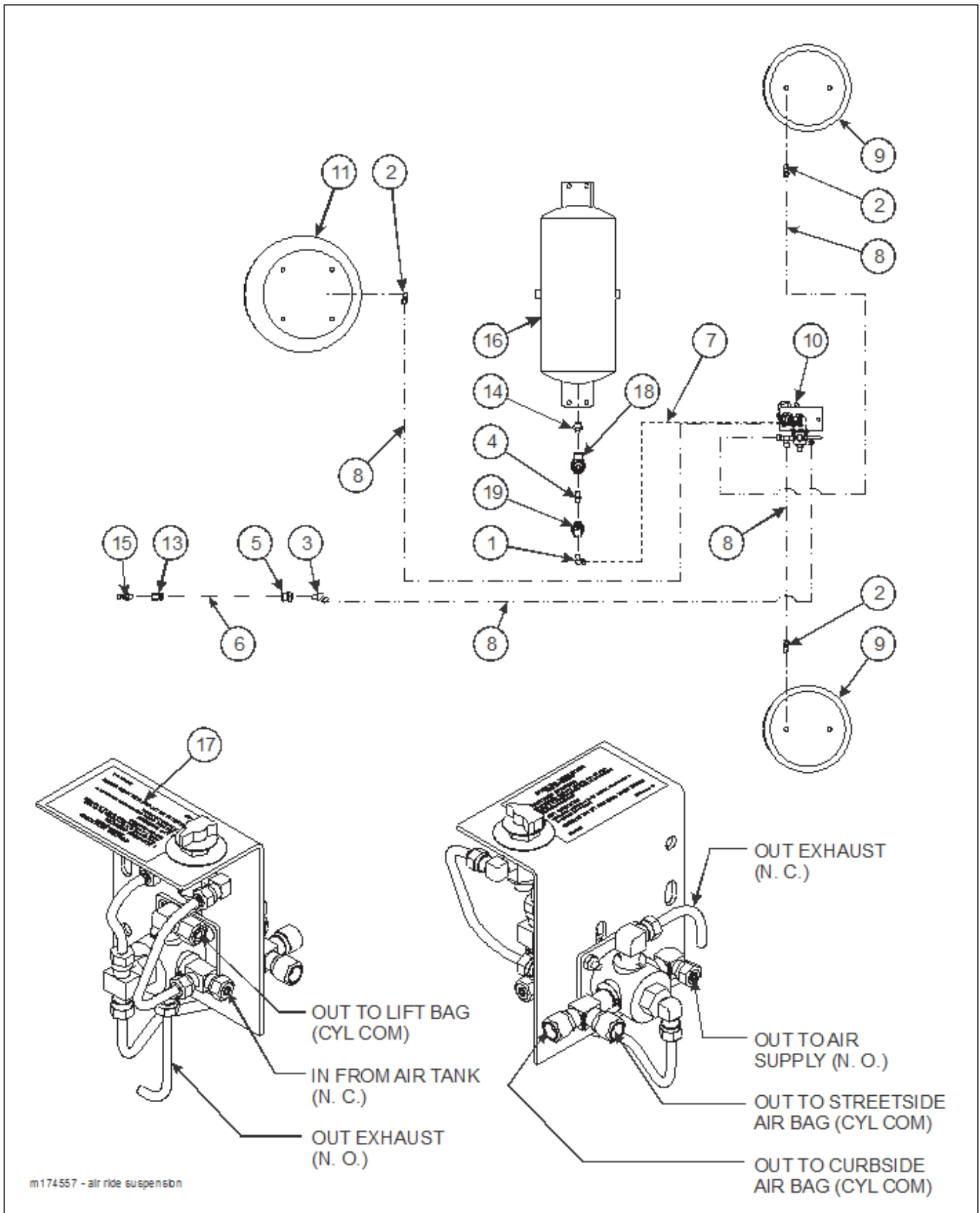
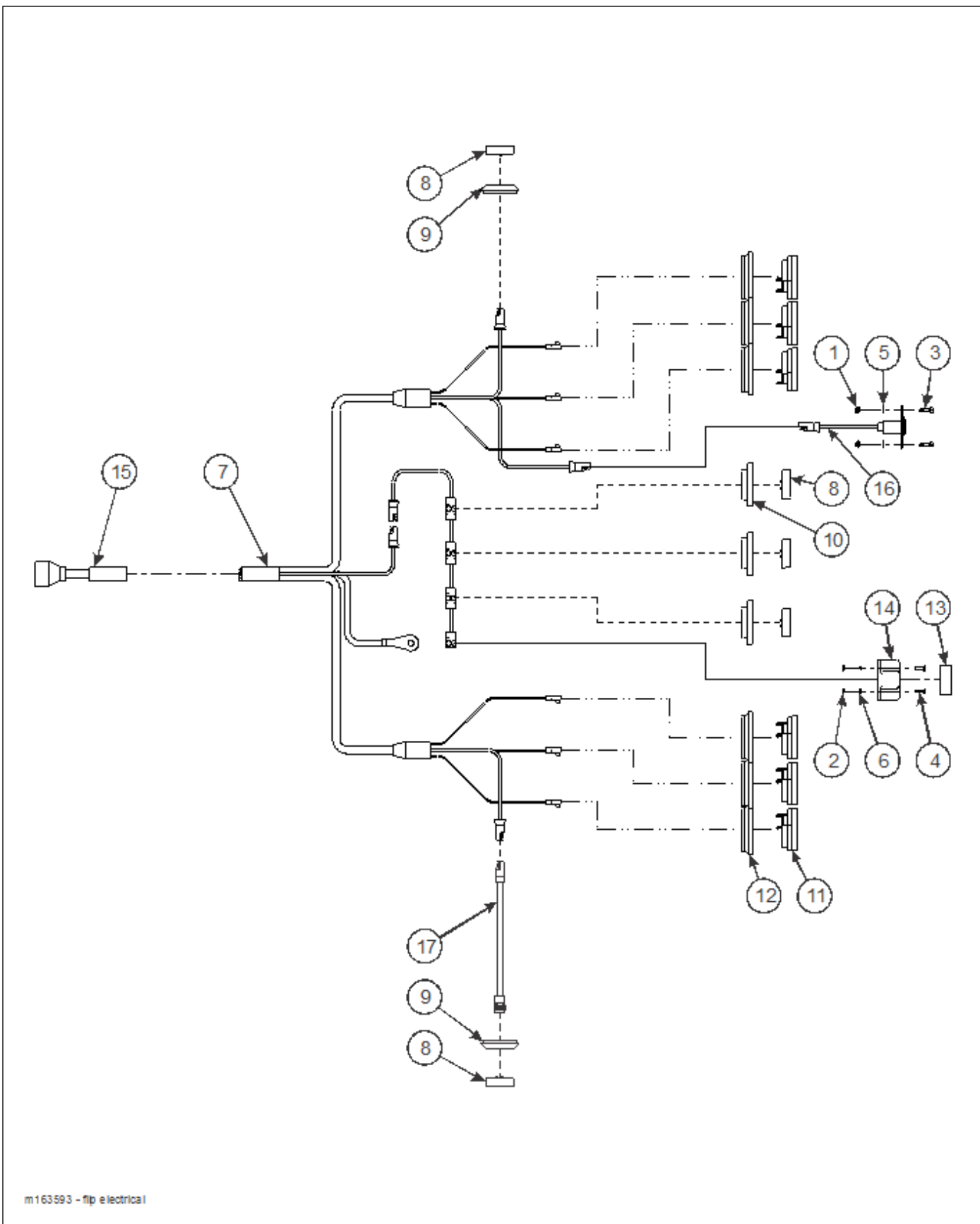


Figure 2-54: Flip Assembly w/ Air Lift Axle - Air Ride Suspension

FLIP ASSEMBLY W/ AIR LIFT AXLE - AIR RIDE SUSPENSION

ITEM	PART NO.	DESCRIPTION	QTY.
	174067	FLIP ASSEMBLY W/ AIR LIFT AXLE - 800-60 LED	
	174068	FLIP ASSEMBLY W/ AIR LIFT AXLE - 800-60 LED TIS	
1	1-297-010008-07	FITTING, AIR 90	2
2	1-297-010008-18	FITTING, AIR 90	1
3	1-297-010013-12	FITTING, AIR 45	1
4	1-297-010019-03	FITTING, BRASS HEX 1/4 X 1/4	1
5	1-297-010022-03	FITTING, AIR ANCHOR COUPLING	1
6	1-384-010038030	HOSE, AIR 3/8 X 30 (163593, 163594, 168970, & 168971)	1
7	1-833-010001	TUBING, NYLON 3/8	AR
8	1-833-010002	TUBING, NYLON 3/8	AR
9	110618	SUSPENSION FASTENER RLU250-9-4 (SEE PAGE 2-69)	REF
10	140369	CONTROL ASSEMBLY, LIFT AXLE (FLIP) (SEE PAGE 2-171)	REF
11	140450	REAR SUSPENSION AIR LIFT ASSEMBLY	REF
12	174066	FLIP WELDMENT W/ AIR LIFT AXLE (NOT SHOWN)	REF
13	2046-6-6S	CONNECTOR, HYDRAULIC	1
14	2083-8-4S	NIPPLE	1
15	3-220-010005	COUPLER, AIR MALE	1
16	3-780-010002	AIR TANK	REF
17	900-44-233	DECAL, OPERATION AXLE LIFT	REF
18	905-54-107	BRAKE PROTECTION VALVE	1
19	905-54-676	VALVE, REGULATING	REF

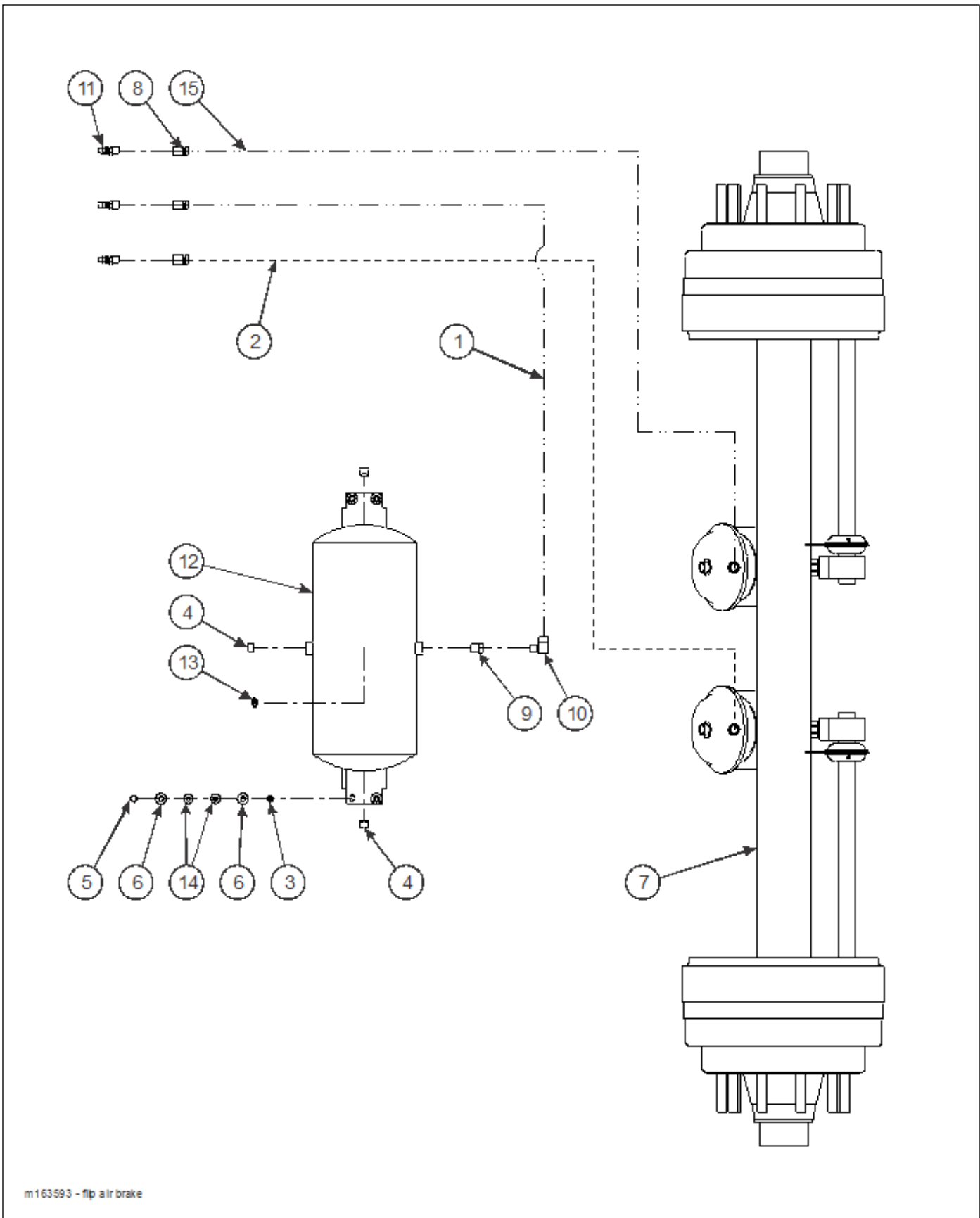


m163593 - flip electrical

Figure 2-55: Flip Assembly - Electrical System

FLIP ASSEMBLY - ELECTRICAL SYSTEM

ITEM	PART NO.	DESCRIPTION	QTY.
	163593	FLIP ASSEMBLY - 800-54 LED	
	163594	FLIP ASSEMBLY - 800-54 LED TIS	
	168970	FLIP ASSEMBLY - 800-60 LED	
	168971	FLIP ASSEMBLY - 800-60 LED TIS	
	165175	FLIP ASSEMBLY - 800-54 W/ SPRING PIN	
	165176	FLIP ASSEMBLY - 800-54 W/ SPRING PIN TIS	
	174067	FLIP ASSEMBLY W/ AIR LIFT AXLE - 800-60 LED	
	174068	FLIP ASSEMBLY W/ AIR LIFT AXLE - 800-60 LED TIS	
1	1-512-010005-01	NUT, HEX LOCK 1/4-20 GRB	2
2	1-512-010007-03	NUT, HEX 10-24 GRB	2
3	1-654-010047-06	SCREW, HEX HEAD CAP 1/4-20 X 1 GR5	2
4	1-656-010003051	SCREW, RD HEAD MACH 10-24 X 3/4	2
5	1-861-010032-07	WASHER, FLAT 1/4W	2
6	1-861-010034-07	WASHER SPLIT LOCK #10	2
7	143104	HARNESS, BUMPER	1
8	143108	LIGHT, RED LED 2.5 CL/MARKER	5
9	143110	GROMMET, 2.5 SURFACE MOUNT	2
10	143111	GROMMET, 2.5 RECESSED MOUNT	3
11	143113	LIGHT, RED LED OVAL STT	6
12	143114	GROMMET, OVAL	6
13	143117	LIGHT, CLEAR LED LICENSE	1
14	143118	BRACKET, LIGHT LICENSE	1
15	146898	HARNESS, 7 WAY PLUG G/N	1
16	150116	HARNESS/PLUG ASSEMBLY	1
17	144609	MARKER, LAMP PIGTAIL HARNESS	1



m163593 - flip air brake

Figure 2-56: Flip Assembly - Air Brake System

FLIP ASSEMBLY - AIR BRAKE SYSTEM

ITEM	PART NO.	DESCRIPTION	QTY.
	163593	FLIP ASSEMBLY - 800-54 LED	
	163594	FLIP ASSEMBLY - 800-54 LED TIS	
	168970	FLIP ASSEMBLY - 800-60 LED	
	168971	FLIP ASSEMBLY - 800-60 LED TIS	
	165175	FLIP ASSEMBLY - 800-54 W/ SPRING PIN	
	165176	FLIP ASSEMBLY - 800-54 W/ SPRING PIN TIS	
	174067	FLIP ASSEMBLY W/ AIR LIFT AXLE - 800-60 LED	
	174068	FLIP ASSEMBLY W/ AIR LIFT AXLE - 800-60 LED TIS	
1	1-384-010038056	HOSE, AIR 3/8 X 56 (163593, 163594, 168970, 168971, 174067, & 174068)	1
	1-384-010038-2	HOSE, AIR 3/8 X 66 (165175 & 165176)	1
2	1-384-010038072	HOSE, AIR 3/8 X 72 (163593 & 163594)	1
	1-384-010038076	HOSE, AIR 3/8 X 76 (168970, 168971, 165175, 165176, 174067, & 174068)	1
3	1-512-010005-05	NUT, HEX LOCK 3/8-16 GRB	4
4	1-560-010002-04	PLUG, PIPE 1/2	3
5	1-654-010051-08	SCREW, HEX HEAD CAP 3/8-16 X 1-3/4 GR5	4
6	1-861-010032-11	WASHER, FLAT 3/8W	8
7	115757	AXLE WELDMENT RLU 250 D2516-SER-79	REF
	138963	AXLE WELDMENT 2516 SER 79 TIS (FOR AXLE BREAKDOWNS, SEE PAGE 2-73)	REF
8	2046-6-6S	CONNECTOR, HYDRAULIC	3
9	2081-8-6S	REDUCER	1
10	2089-6-6S	ADAPTER, 90	1
11	3-220-010005	COUPLER, AIR MALE	3
12	3-780-010002	AIR TANK	1
13	56D4	COCK, DRAIN AIR TANK	1
14	805-2	BUSHING, STEP	8
15	1-384-010038056	HOSE, AIR 3/8 X 56 (163593 & 163594)	1
	1-384-010038060	HOE, AIR 3/8 X 60 (168970, 168971, 174067, & 174068)	1
	1-384-010038-2	HOSE, AIR 3/8 X 66 (165175 & 165176)	1

ILLUSTRATED PARTS LIST

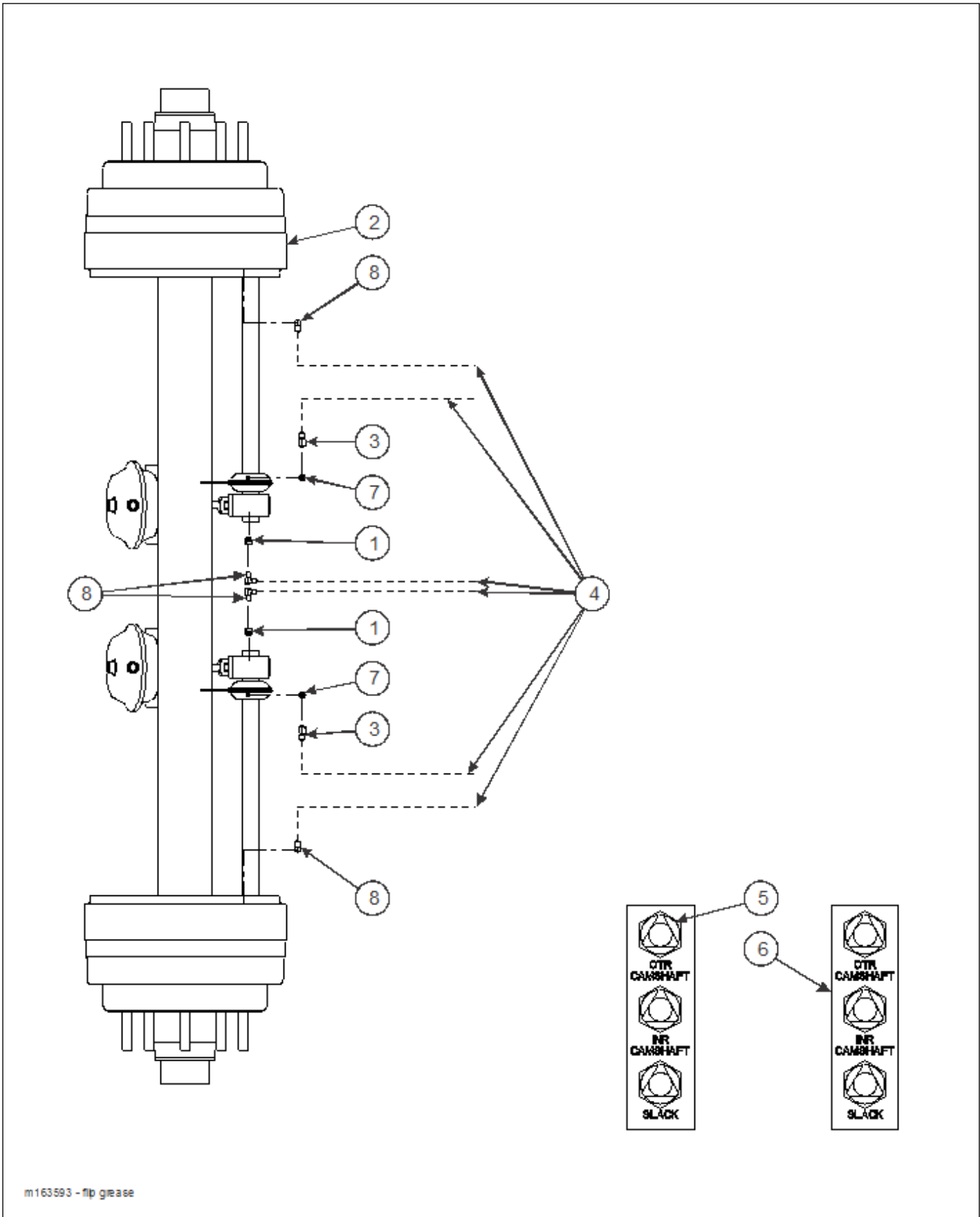
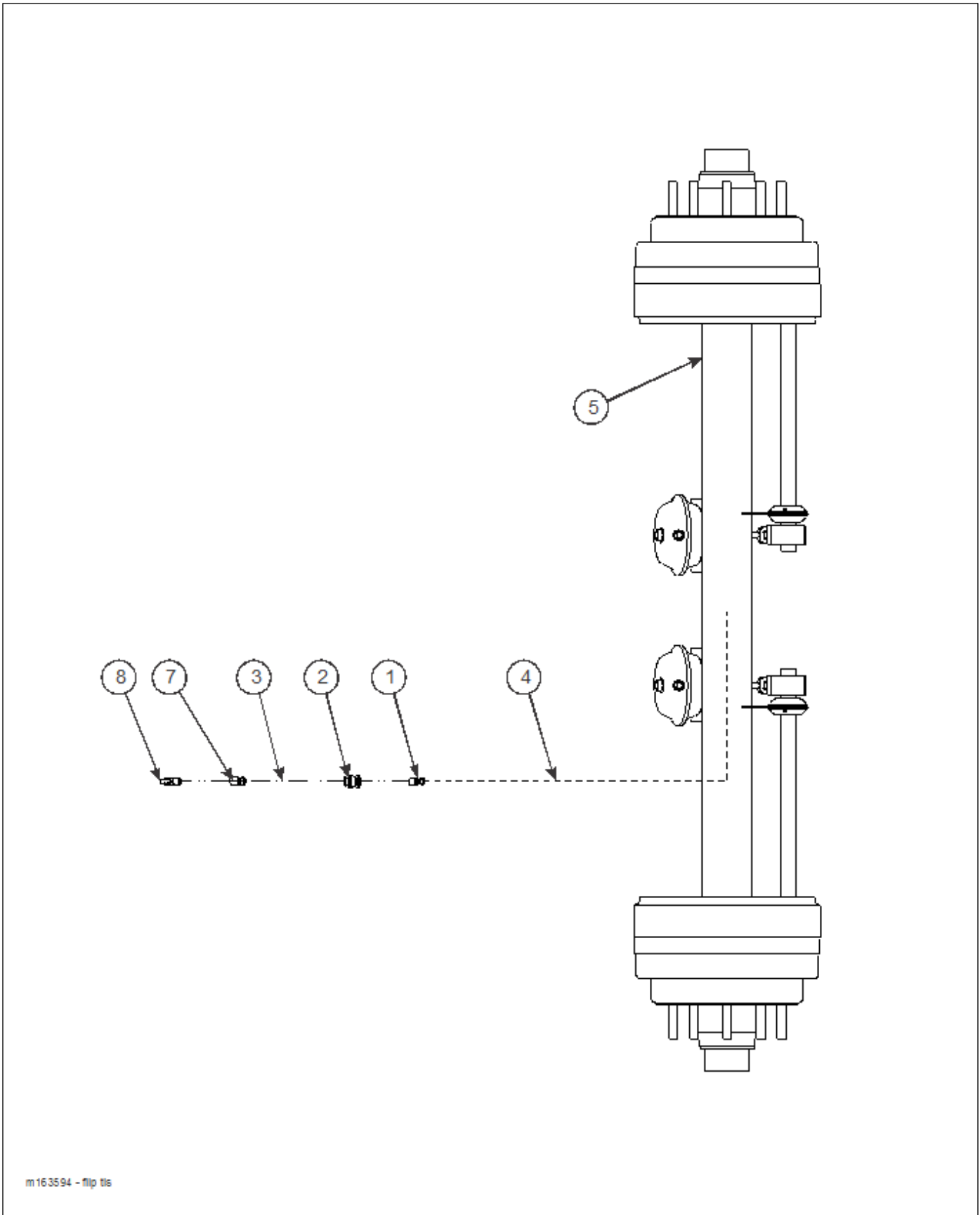


Figure 2-57: Flip Assembly - Grease System

FLIP ASSEMBLY - GREASE SYSTEM

ITEM	PART NO.	DESCRIPTION	QTY.
	163593	FLIP ASSEMBLY - 800-54 LED	
	163594	FLIP ASSEMBLY - 800-54 LED TIS	
	168970	FLIP ASSEMBLY - 800-60 LED	
	168971	FLIP ASSEMBLY - 800-60 LED TIS	
	165175	FLIP ASSEMBLY - 800-54 W/ SPRING PIN	
	165176	FLIP ASSEMBLY - 800-54 W/ SPRING PIN TIS	
	174067	FLIP ASSEMBLY W/ AIR LIFT AXLE - 800-60 LED	
	174068	FLIP ASSEMBLY W/ AIR LIFT AXLE - 800-60 LED TIS	
1	101528	ELBOW, BRASS PIPE STR	2
2	115757	AXLE WELDMENT, RLU 250 D2516-79 SER	REF
	138963	AXLE WELDMENT 2516 SER 79 TIS (FOR AXLE WELDMENT BREAKDOWNS, SEE PAGE 2-73)	REF
3	138155	ADAPTER, 90	2
4	142441	HOSE ASSEMBLY, GREASE 1/4 X 45	6
5	142545	NUT, HEX JAM 7/16-20 GRB	6
6	142553	DECAL, GREASE TRL U/C	2
7	161797	ADAPTER, STRAIGHT 5/16-18	2
8	2024-2-4S	ADAPTER, ELBOW	4

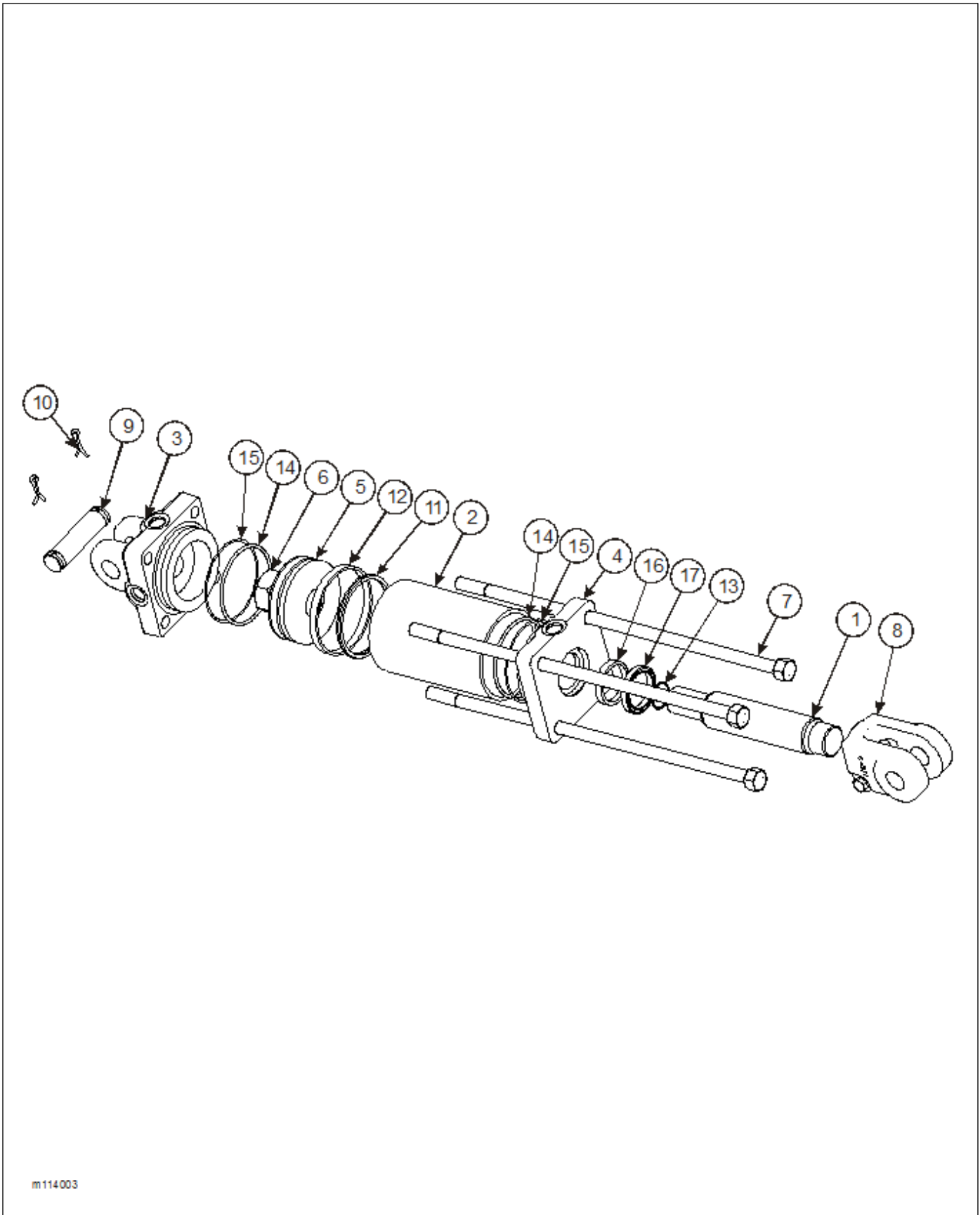


m163594 - flip tis

Figure 2-58: Flip Assembly - Tire Inflation System

FLIP ASSEMBLY - TIRE INFLATION SYSTEM

ITEM	PART NO.	DESCRIPTION	QTY.
	163594	FLIP ASSEMBLY - 800-54 LED TIS	
	168971	FLIP ASSEMBLY - 800-60 LED TIS	
	165176	FLIP ASSEMBLY - 800-54 W/ SPRING PIN TIS	
	174068	FLIP ASSEMBLY W/ AIR LIFT AXLE - 800-60 LED TIS	
1	1-297-010007-06	FITTING, AIR	1
2	1-297-010022-03	FITTING, AIR COUPLING	1
3	1-384-010038030	HOSE, AIR 3/8 X 30 (163594, 168971, & 174068)	1
	1-384-010038038	HOSE, AIR 3/8 X 38 (165176)	1
4	1-833-010001	TUBING, NYLON 3/8	AR
5	138963	AXLE WELDMENT 2516 SER 79 TIS	REF
6	157700	TIRE INFLATION SYSTEM FLIP AXLE (NOT SHOWN) (SEE PAGE 2-159)	1
7	2046-6-6S	CONNECTOR, HYDRAULIC	1
8	3-220-010005	COUPLER, AIR MALE	1



m114003

Figure 2-59: Cylinder, Hydraulic 4 X 20

CYLINDER, HYDRAULIC 4 X 20

ITEM	PART NO.	DESCRIPTION	QTY.
	1-242-010180-3	CYLINDER, 4 X 20 HYDRAULIC	
1	147372	PISTON ROD	
2	-----	TUBE	
3	-----	BUTT	
4	163045	GLAND	
5	-----	PISTON	
6	-----	LOCKNUT	
7	-----	TIEROD ASSEMBLY	
8	-----	CLEVIS ASSEMBLY	
9	-----	CLEVIS PIN	
10	-----	COTTER PIN	
*11	-----	CROWN SEAL	
*12	-----	BEARING RING	
*13	-----	O-RING	
*14	-----	O-RING	
*15	-----	BU-WASHER	
*16	-----	U-CUP	
*17	-----	WIPER	
	147377	PACKING KIT (*INCL ITEMS 11 - 17)	

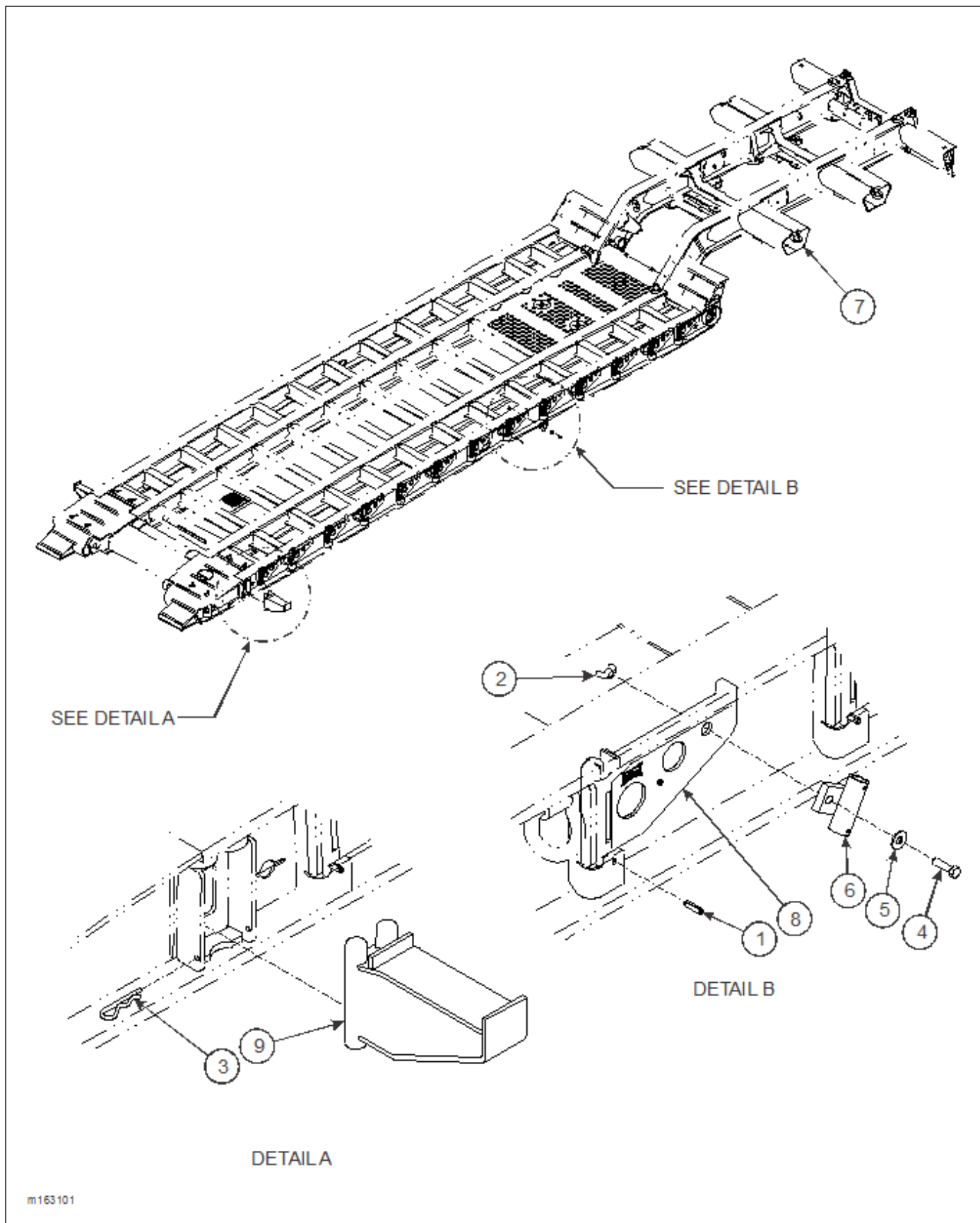


Figure 2-60: Swing Out Installation

SWING OUT INSTALLATION

ITEM	PART NO.	DESCRIPTION	QTY.		
	163101	SWING-OUT INSTALLATION (855-26)	*		
	163102	SWING-OUT INSTALLATION (855-23-1/2)		*	
	168963	SWING-OUT INSTALLATION (855-25)			*
1	0600-375-01500	PIN, ROLL 3/8 X 1-1/2	26	22	24
2	1-533-010001	NUT, WING 1/2-13	2	2	2
3	1-557-010014	PIN, HAIR 1/4	2	2	2
4	1-654-010055-04	SCREW, HEX HEAD CAP 1/2-13 X 1-3/4 GR5	2	2	2
5	1-861-010032-15	WASHER FLAT 1/2W	2	2	2
6	114741	HOLDER, FLAG WELDMENT	2	2	2
7	-----	FRAME WELDMENT	REF	REF	REF
8	167-0022	OUTRIGGER FOR 10 CHANNEL	26	22	24
9	3-311-015001	FRONT OUTRIGGER WELDMENT	2	2	2

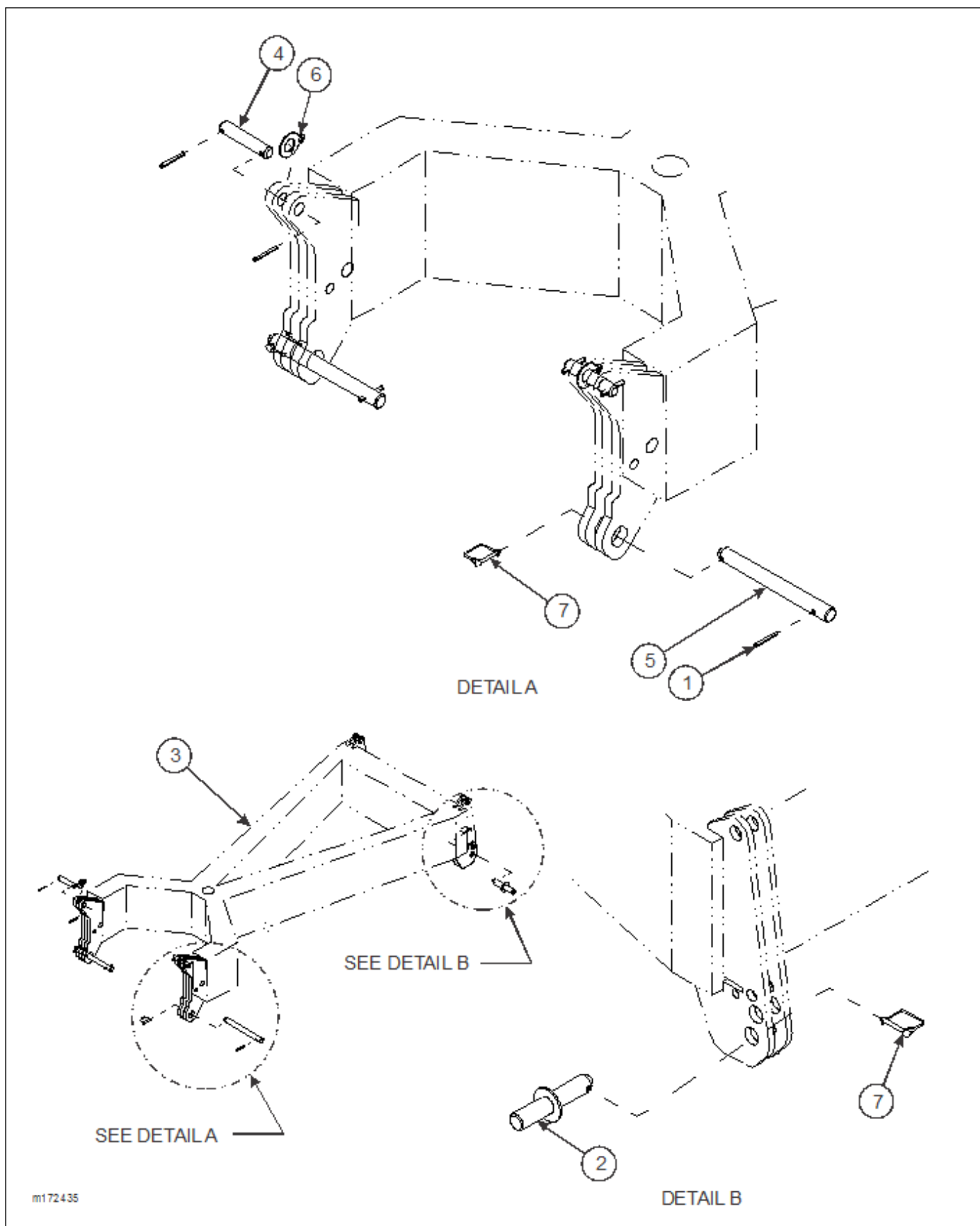


Figure 2-61: Spreader Assembly

SPREADER ASSEMBLY (855 HD)

ITEM	PART NO.	DESCRIPTION	QTY.
	172435	SPREADER ASSEMBLY	
1	1-647-010004259	ROLL PIN, SLOTTED 3/8 X 3	6
2	114712	PIN WELDMENT, FLIP LOWER	2
3	172425	SPREADER NITRO FOR FLIP	1
4	172426	PIN, UPPER SPREADER NITRO	2
5	172427	PIN, LOWER SPREADER NITRO	2
6	172436	WASHER, BOOSTER	2
7	516-22PTL	PIN, MUD FLAP	4

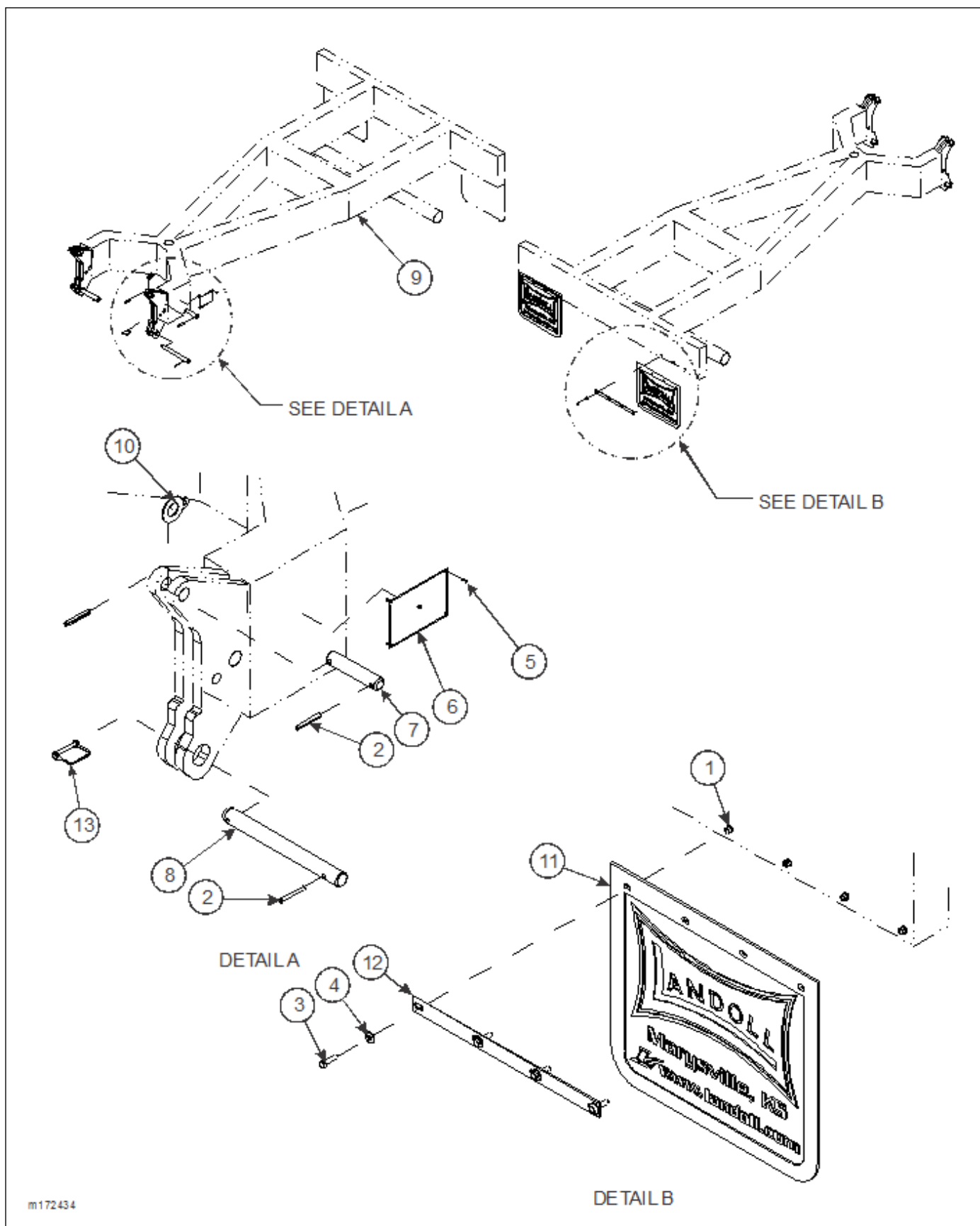
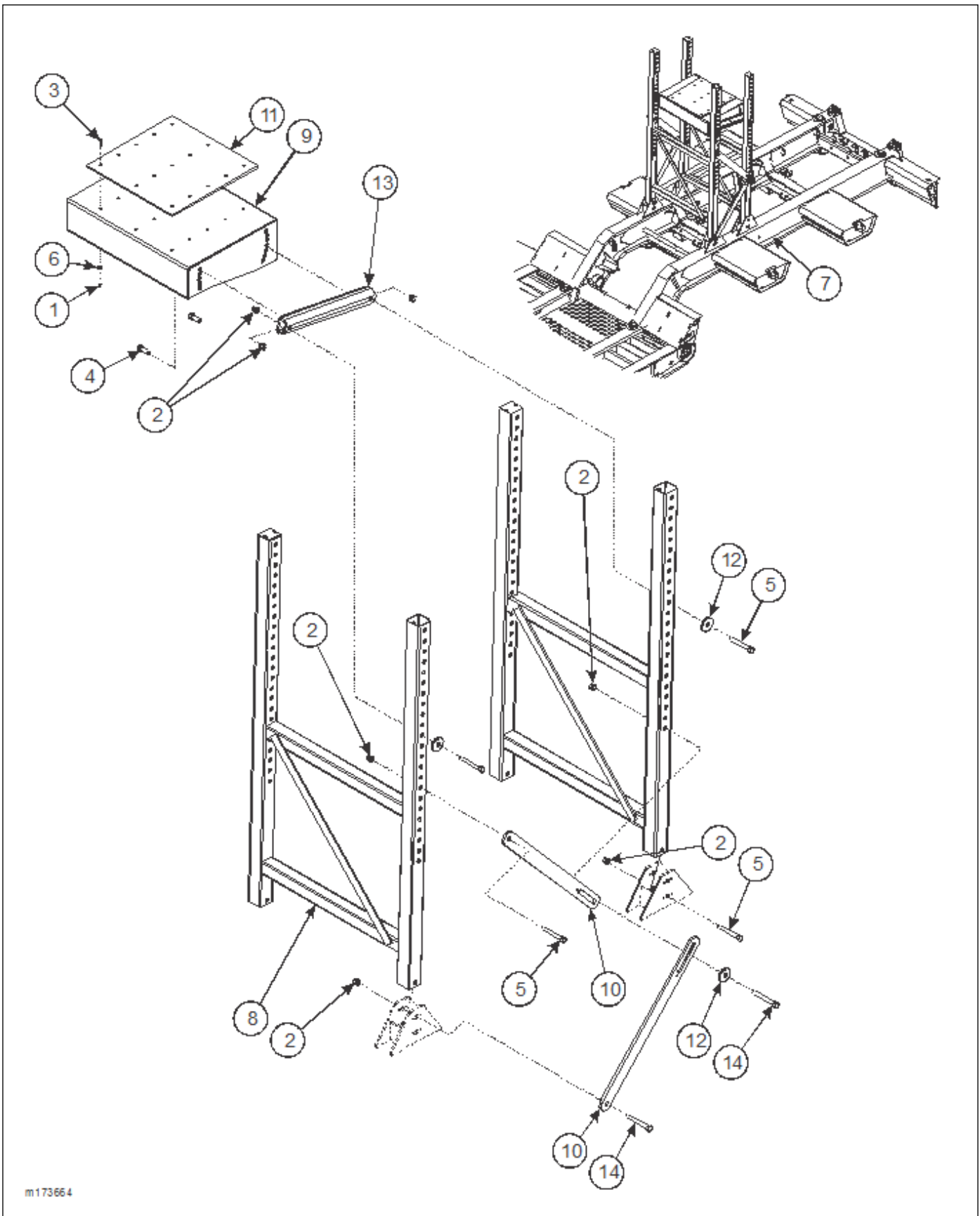


Figure 2-62: Stinger Assembly

STINGER ASSEMBLY (855 HD)

ITEM	PART NO.	DESCRIPTION	QTY.
	172434	STINGER ASSEMBLY	
1	1-512-010005-05	NUT, HEX LOCK 3/8-16 GRB	8
2	1-647-010004259	ROLL PIN, SLOTTED 3/8 X 3	6
3	1-654-010051-07	SCREW, HEX HEAD CAP 3/8-16 X 1-1/2 GR5	8
4	1-861-010032-11	WASHER, FLAT 3/8W	8
5	12420301-017	RIVET, BLIND .156 X 1/4 GRIP	4
6	155780	INFORMATION FOR TRL VIN	1
7	172426	PIN, UPPER SPREADER NITRO	2
8	172427	PIN, LOWER SPREADER NITRO	2
9	172428	STINGER NITRO W/ AXLE	1
10	172436	WASHER, BOOSTER	2
11	3-485-010001	MUD FLAP, 21"	2
12	3-762-010017	CLAMP, MUD FLAP	2
13	516-22PTL	PIN, MUD FLAP	2

ILLUSTRATED PARTS LIST

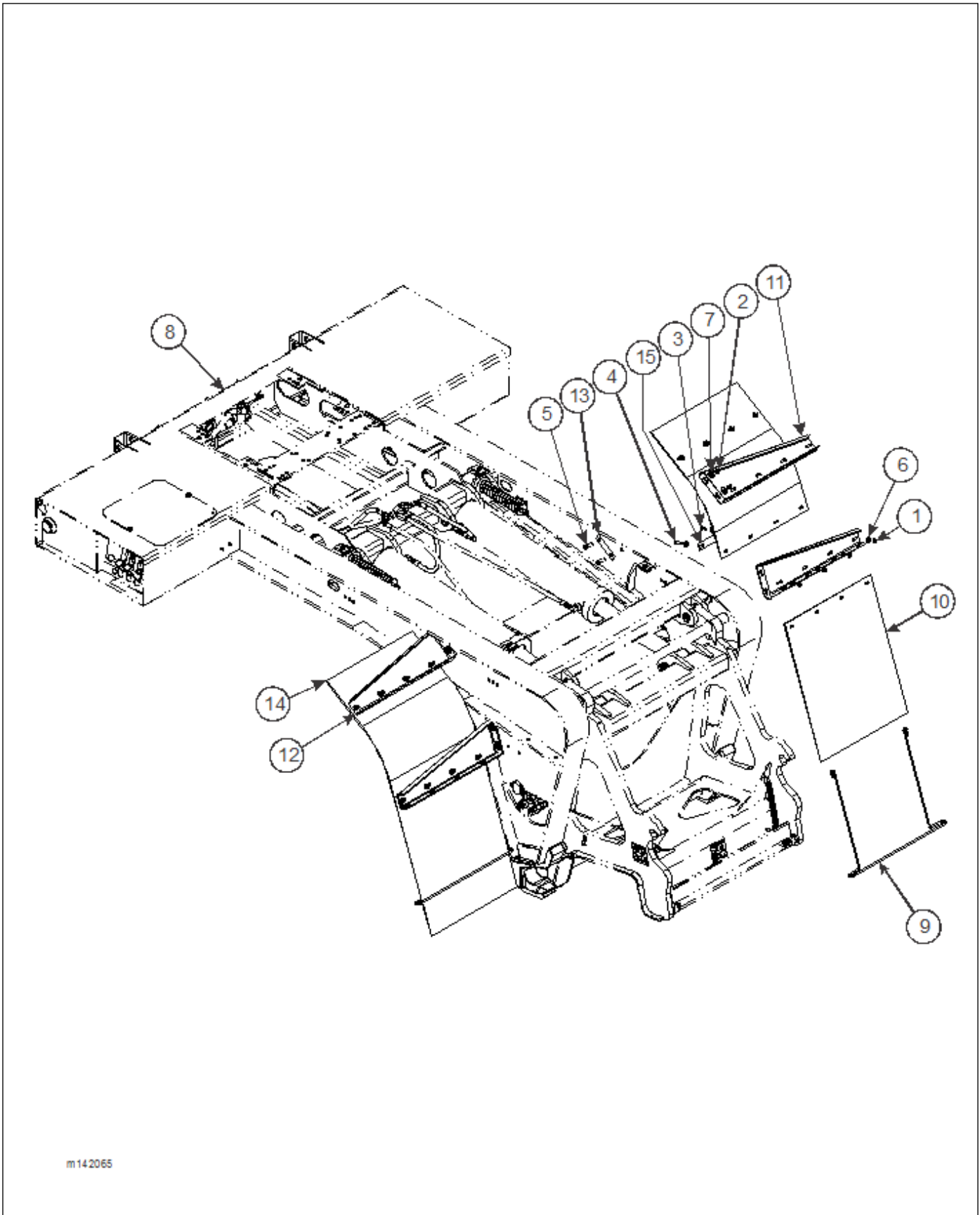


m173664

Figure 2-63: Support Boom Assembly

SUPPORT BOOM ASSEMBLY (855 HD)

ITEM	PART NO.	DESCRIPTION	QTY.
	173664	SUPPORT BOOM ASSEMBLY	
1	1-512-010005-03	NUT, HEX LOCK 5/16-18 GRB	15
2	1-512-010005-15	NUT, HEX LOCK 3/4-10 GRB	16
3	1-654-010034-06	SCREW, HEX SOCKET CTSK 5/16-18 X 1-1/4	15
4	1-654-010061-05	SCREW, HEX HEAD CAP 3/4-10 X 2 GR5	4
5	1-654-010061-16	SCREW, HEX HEAD CAP 3/4-10 X 5-1/2 GR5	8
6	1-861-010032-09	WASHER, FLAT 5/16W	15
7	173658	BOOM SUPPORT WELDMENT	1
8	173662	TUBE UPRIGHT BOOM WELDMENT	2
9	173666	SUPPORT PLATFORM BOOM WELDMENT	1
10	173669	BRACE PLATFORM	4
11	173670	PAD RUBBER PLATFORM	1
12	173672	WASHER, PLATFORM 3/4	6
13	174645	SUPPORT PLATFORM WELDMENT	2
14	W908409-4	SCREW, HEX HEAD CAP 3/4-10 X 6 GR5	4



m142065

Figure 2-64: Gooseneck Mud Flap Installation

GOOSENECK MUD FLAP INSTALLATION

ITEM	PART NO.	DESCRIPTION	QTY.
	142065	MUD FLAP INSTALLATION, GOOSENECK	
1	1-510-010001	NUT, FLANGE LOCK 3/8-16	16
2	1-512-010005-09	NUT, HEX LOCK 1/2-13 GRB	8
3	1-654-010051-06	SCREW, HEX HEAD CAP 3/8-16 X 1-1/4 GR5	12
4	1-654-010051-08	SCREW, HEX HEAD CAP 3/8-16 X 1-3/4 GR5	4
5	1-654-010055-03	SCREW, HEX HEAD CAP 1/2-13 X 1-1/2 GR5	8
6	1-861-010032-11	WASHER, FLAT 3/8W	32
7	1-861-010032-15	WASHER, FLAT 1/2W	8
8	-----	GOOSENECK ASSEMBLY	REF
9	128886	BRACKET, ANTI-SAIL MUD FLAP	2
10	131195	MUD FLAP, BLACK POLYMER 24 X 30	2
11	136870	MOUNT, FENDER/ MUD FLAP RH	2
12	136871	MOUNT, FENDER/ MUD FLAP LH	2
13	136908	DOUBLER FENDER MOUNTING	4
14	142064	MUD FLAP, POLYMER MOD 24 X 30	2
15	3-762-010017	CLAMP, MUD FLAP	4

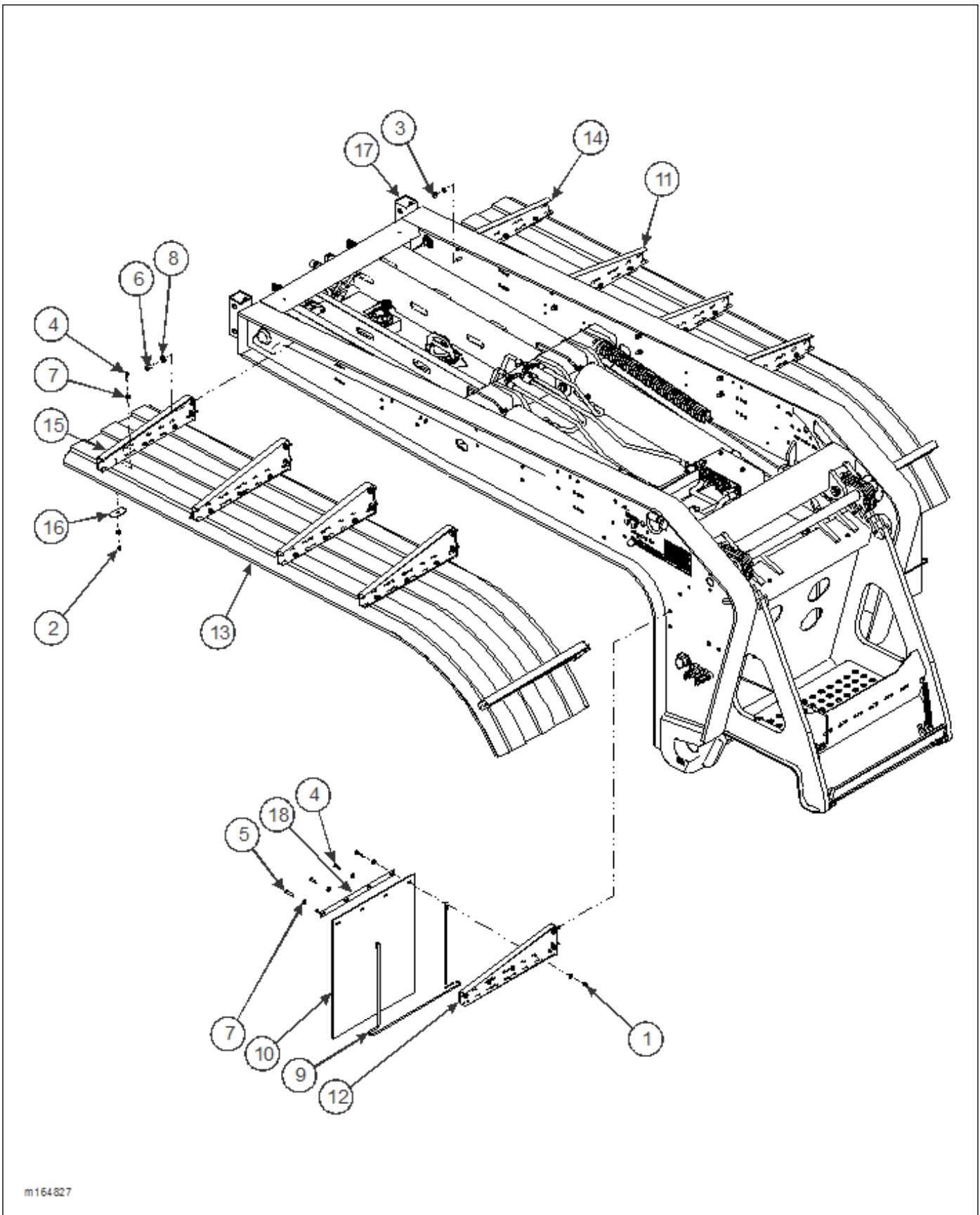


Figure 2-65: Gooseneck Fender Installation

GOOSENECK FENDER INSTALLATION

ITEM	PART NO.	DESCRIPTION	QTY.
	164827	GOOSENECK FENDER INSTALLATION	
1	1-510-010001	NUT, FLANGE LOCK 3/8-16	8
2	1-512-010005-05	NUT, HEX LOCK 3/8-16 GRB	30
3	1-512-010005-09	NUT, HEX LOCK 1/2-13 GRB	24
4	1-654-010051-06	SCREW, HEX HEAD CAP 3/8-16 X 1-1/4 GR5	34
5	1-654-010051-08	SCREW, HEX HEAD CAP 3/8-16 X 1-3/4 GR5	4
6	1-654-010055-03	SCREW, HEX HEAD CAP 1/2-13 X 1-1/2 GR5	24
7	1-861-010032-11	WASHER, FLAT 3/8W	100
8	1-861-010032-15	WASHER, FLAT 1/2W	24
9	128886	BRACKET, ANTI-SAIL MUD FLAP	2
10	131195	MUD FLAP, BLACK POLYMER 24 X 30	2
11	136870	MOUNT, FENDER/ MUD FLAP RH	5
12	136871	MOUNT, FENDER/ MUD FLAP LH	5
13	143669	FENDER, PLASTIC 26-3/8 X 129	2
14	143670	MOUNT, FENDER/ MUD FLAP RH	1
15	143671	MOUNT, FENDER/ MUD FLAP LH	1
16	147312	WASHER, BACK-UP FENDER MOUNT	30
17	-----	GOOSENECK ASSEMBLY	REF
18	3-762-010017	CLAMP, MUD FLAP	2

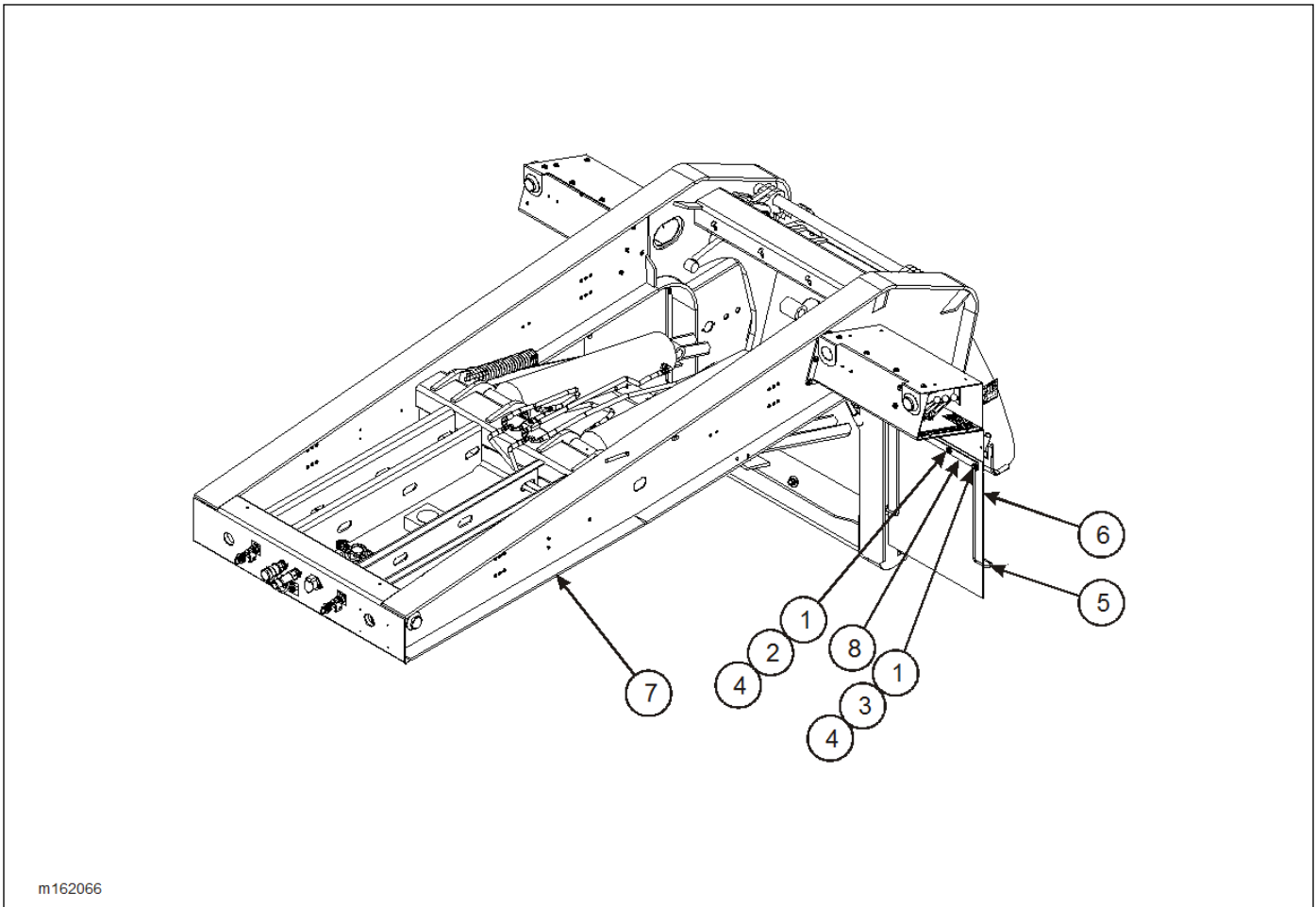


Figure 2-66: Gooseneck Mud Flaps (Option)

GOOSENECK MUD FLAPS (855C) (OPTION)

ITEM	PART NO.	DESCRIPTION	QTY.
	162066	GOOSENECK MUD FLAPS	
1	1-510-010001	NUT, FLANGE HEAD SERRATED 3/8-16	8
2	1-654-010051-06	SCREW, HEX HEAD CAP 3/8-16 X 1-1/4 GR5	4
3	1-654-010051-07	SCREW, HEX HEAD CAP 3/8-16 X 1-1/2 GR5	4
4	1-861-010032-11	WASHER, FLAT 3/8W	16
5	128886	BRACKET, ANTI-SAIL MUD FLAP	2
6	131195	MUD FLAP, BLACK POLYMER 24 X 30	2
7	160367	GOOSENECK ASSEMBLY, 13'	REF
8	3-762-010017	CLAMP, MUD FLAP	2

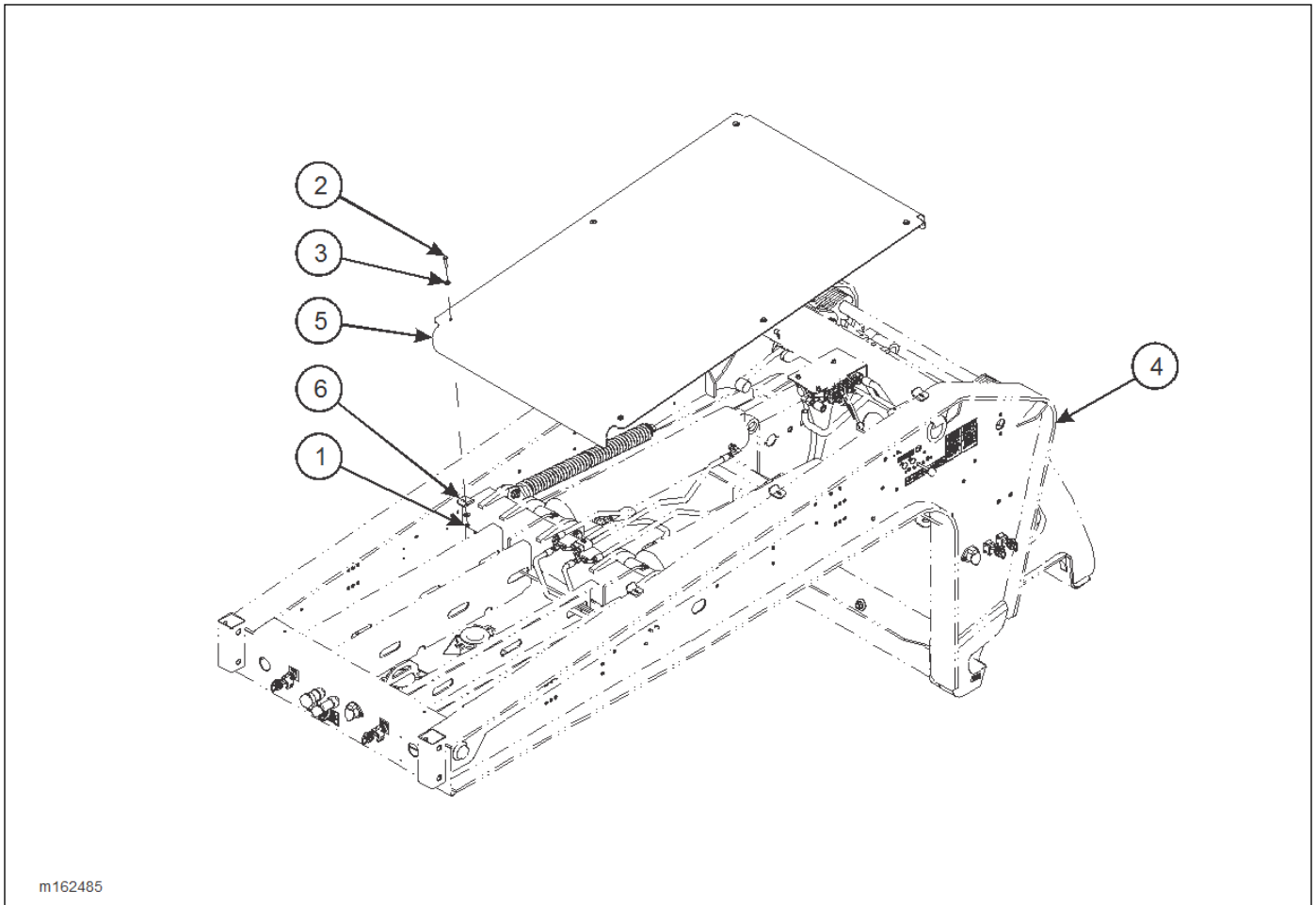


Figure 2-67: Gooseneck Cover Assembly (855C) (Option)

GOOSENECK COVER ASSEMBLY (855C) (OPTION)

ITEM	PART NO.	DESCRIPTION	QTY.
	162485	GOOSENECK COVER ASSEMBLY	
1	1-512-010005-05	NUT, HEX LOCK 3/8-16 GRB	6
2	1-654-010051-09	SCREW, HEX HEAD CAP 3/8-16 X 2 GR5	6
3	1-861-010032-11	WASHER, FLAT 3/8W	12
4	-----	GOOSENECK ASSEMBLY, 13FT	REF
5	162483	COVER, GOOSENECK TOP ALUMINUM	1
6	162484	CLAMP, GOOSENECK COVER	4

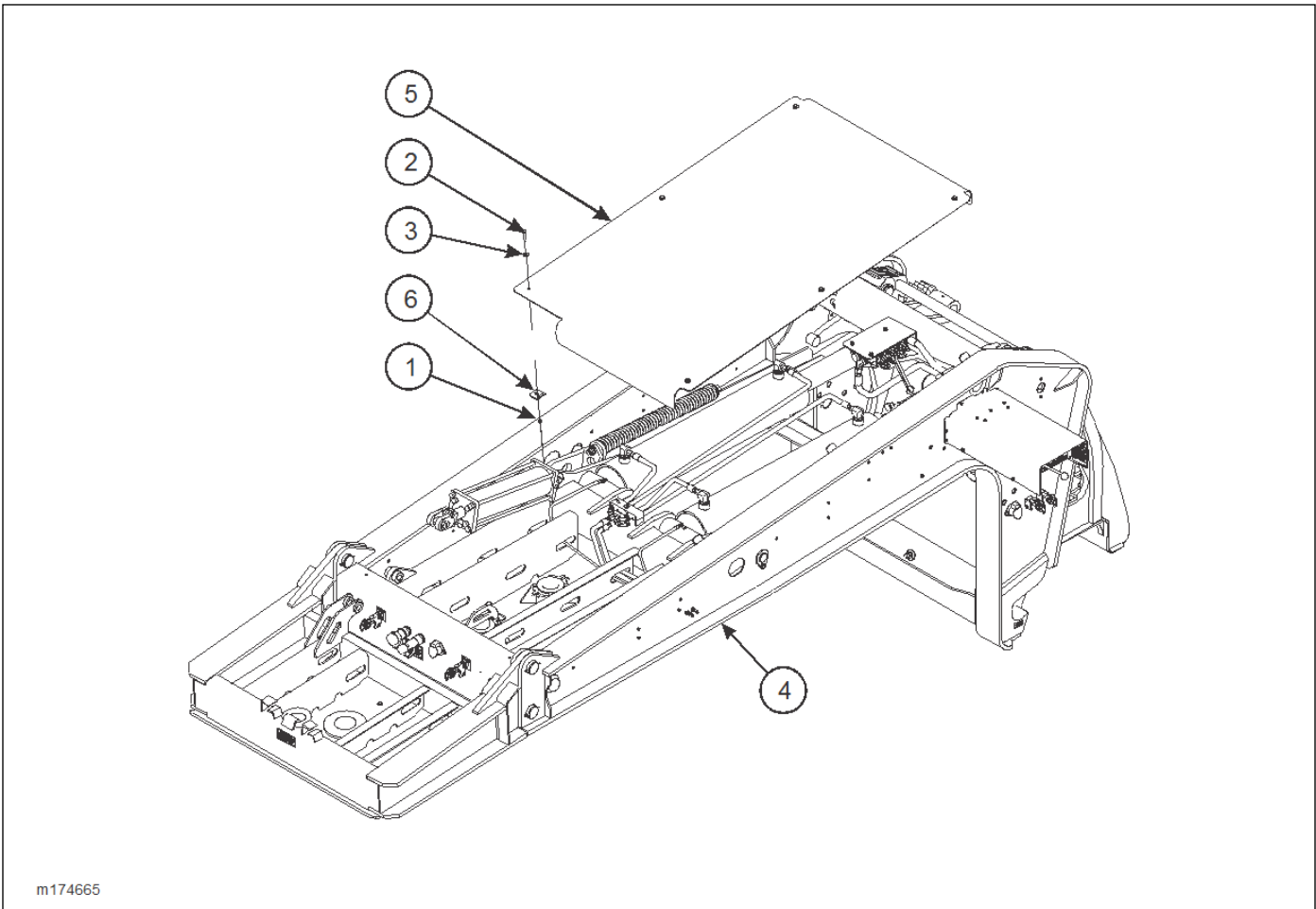


Figure 2-68: Gooseneck Cover Assembly (855 HD) (Option)

GOOSENECK COVER ASSEMBLY (855 HD) (OPTION)

ITEM	PART NO.	DESCRIPTION	QTY.
	174665	GOOSENECK COVER ASSEMBLY	
1	1-512-010005-05	NUT, HEX LOCK 3/8-16 GRB	6
2	1-654-010051-09	SCREW, HEX HEAD CAP 3/8-16 X 2 GR5	6
3	1-861-010032-11	WASHER, FLAT 3/8W	12
4	-----	GOOSENECK ASSEMBLY	REF
5	174664	COVER, GOOSENECK TOP HYD FLIP EXT	1
6	162484	CLAMP, GOOSENECK COVER	6

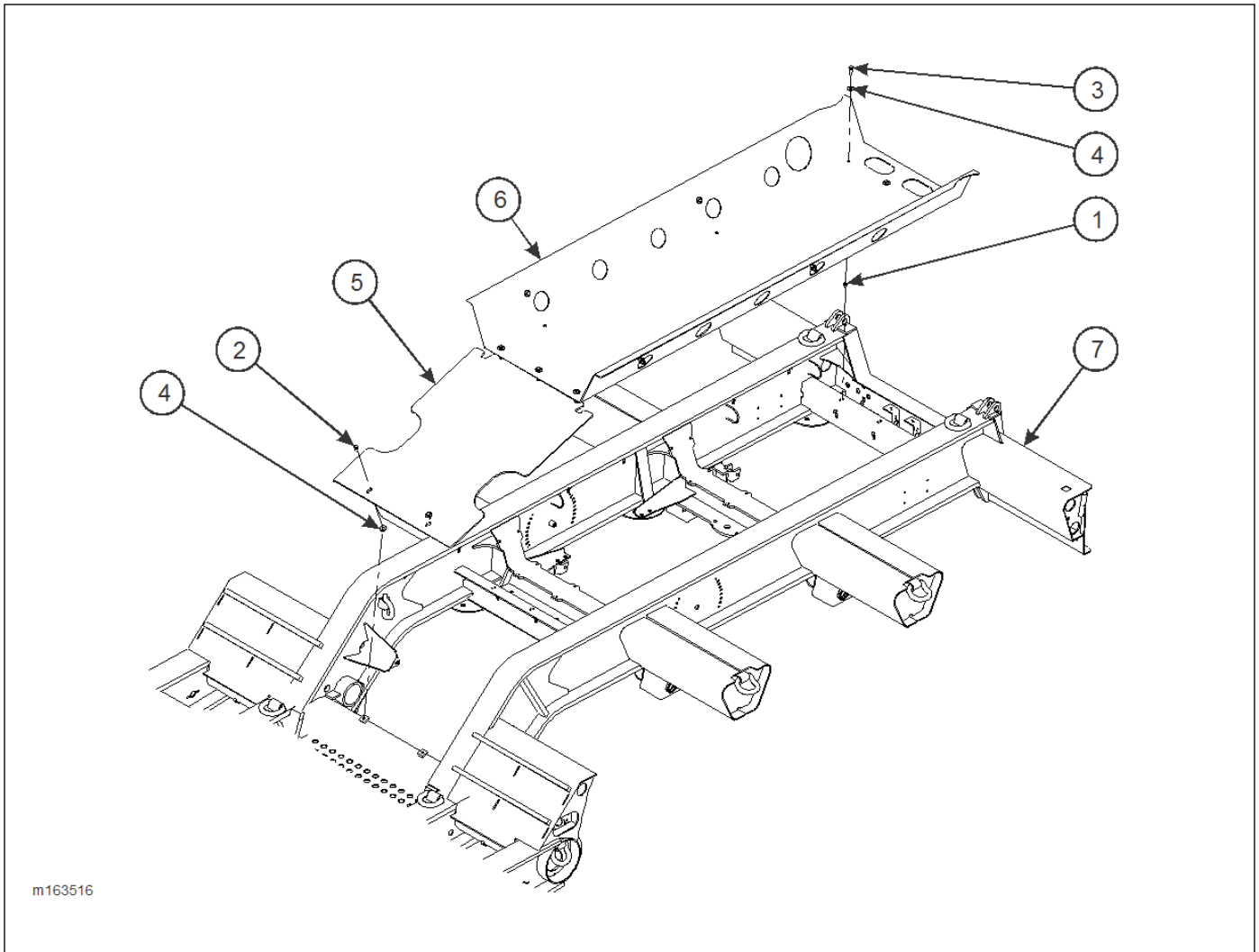


Figure 2-69: Cover Boom Trough Assembly (Option)

COVER BOOM TROUGH ASSEMBLY (OPTION)

ITEM	PART NO.	DESCRIPTION	QTY.
	163516	COVER BOOM TROUGH ASSEMBLY (855-50)	
	162787	COVER BOOM TROUGH ASSEMBLY (855-54)	
	169644	COVER BOOM TROUGH ASSEMBLY (855-60)	
1	1-512-010005-09	NUT, HEX LOCK 1/2-13 GRB	10
2	1-654-010055-01	SCREW, HEX HEAD CAP 1/2-13 X 1 GR5	2
3	1-654-010055-04	SCREW, HEX HEAD CAP 1/2-13 X 1-3/4 GR5	10
4	1-861-010032-15	WASHER, FLAT 1/2W	22
5	162046	COVER, FRONT TROUGH	1
6	163100	COVER, BOOM TROUGH (163516)	1
	162045	COVER, BOOM TROUGH (162787)	1
	169645	COVER, BOOM TROUGH (169644)	1
7	----	FRAME WELDMENT	REF

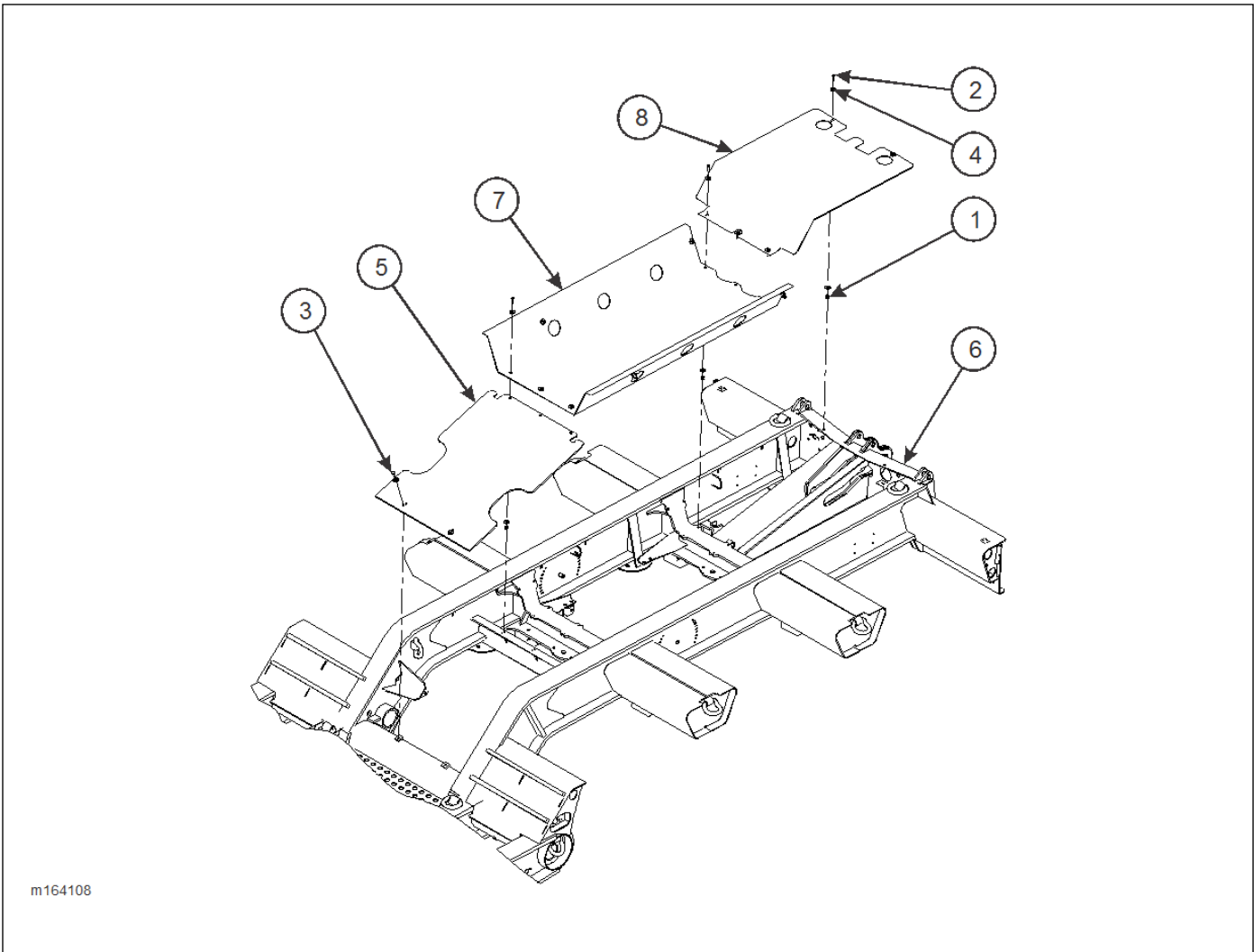
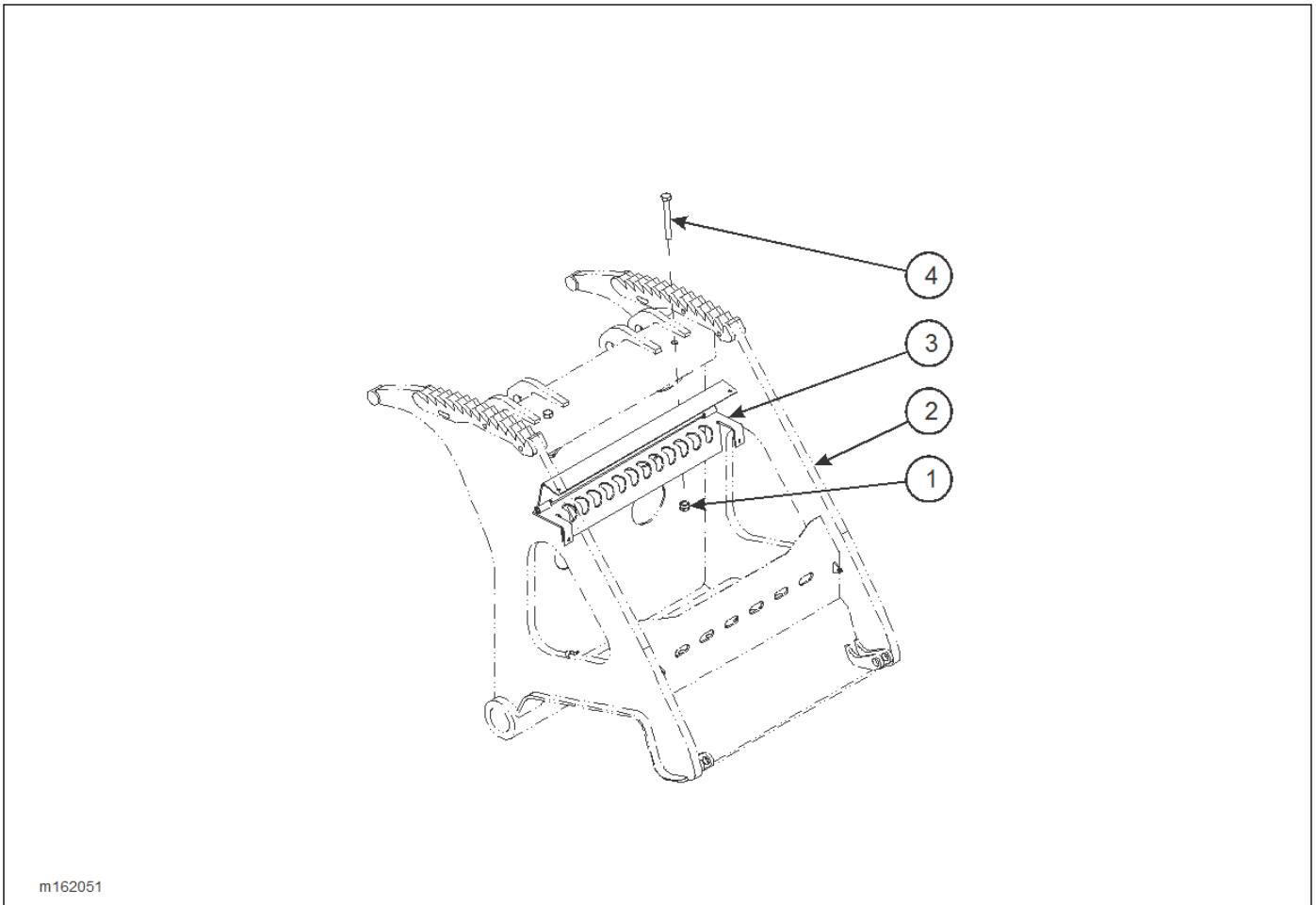


Figure 2-70: Cover Boom Trough Assembly (Option)

COVER BOOM TROUGH ASSEMBLY, FLIP (OPTION)

ITEM	PART NO.	DESCRIPTION	QTY.
	164108	COVER BOOM TROUGH ASSEMBLY, FLIP (855-54)	
	168962	COVER BOOM TROUGH ASSEMBLY, FLIP (855-60)	
1	1-512-010005-09	NUT, HEX LOCK 1/2-13 GRB	12
2	1-654-010055-04	SCREW, HEX HEAD CAP 1/2-13 X 1-3/4 GR5	2
3	1-654-010055-01	SCREW, HEX HEAD CAP 1/2-13 X 1 GR5	2
4	1-861-010032-15	WASHER, FLAT 1/2W	22
5	162046	COVER, FRONT TROUGH	1
6	----	FRAME WELDMENT	REF
7	164109	COVER, BOOM TROUGH MID (164108)	1
	168961	COVER, BOOM TROUGH MID (168962)	1
8	164110	COVER, BOOM TROUGH REAR	1



m162051

Figure 2-71: Rack and Tray Installation (855C) (Option)

RACK AND TRAY INSTALLATION (855C) (OPTION)

ITEM	PART NO.	DESCRIPTION	QTY.
	162051	RACK AND TRAY INSTALLATION (855C) (OPTION)	
1	1-512-010005-15	NUT, HEX LOCK 3/4-10 GRB	2
2	160396	CARRIER WELDMENT	REF
3	162049	RACK WELDMENT CHAIN/BINDER	1
4	W908409-4	SCREW, HEX HEAD CAP 3/4-10 X 6 GR5	2

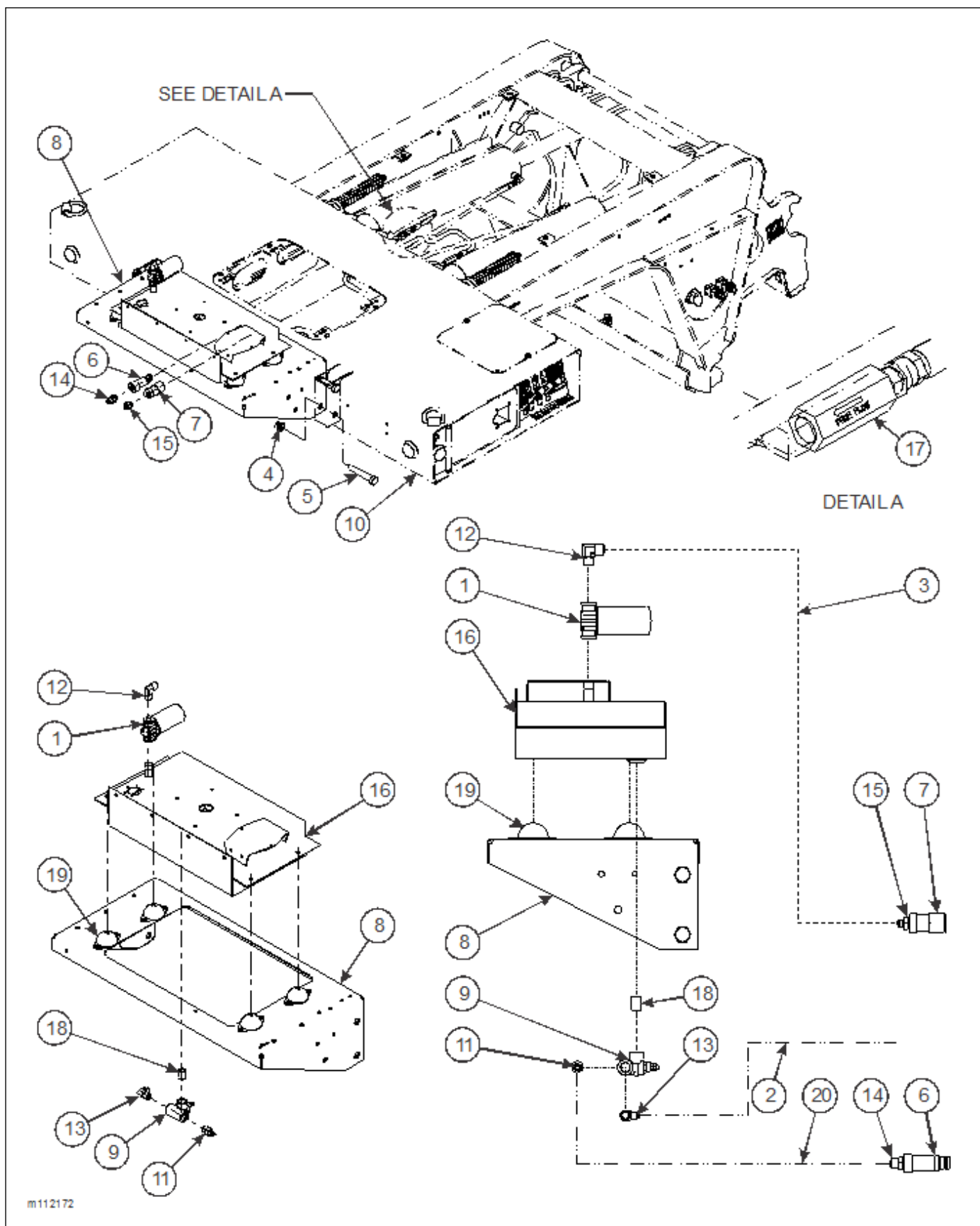


Figure 2-72: Engine Installation, Front Mount (Option)

ENGINE INSTALLATION FRONT MOUNT (OPTION)

ITEM	PART NO.	DESCRIPTION	QTY.
	112172	ENGINE INSTALLATION FRONT MOUNT	
1	1-295-010001	RETURN LINE FILTER	REF
2	1-397-010301024	HOSE ASSEMBLY 1/2 X24	2
3	1-397-010305060	HOSE ASSEMBLY 3/4 X 60	1
4	1-512-010005-19	NUT, HEX LOCK 1-8 GRB	4
5	1-654-010065-17	SCREW, HEX HEAD CAP 1-8 X 6 GR5	4
6	105479	COUPLER FLAT FACE MALE NOSE	1
7	105480	COUPLER FLAT FACE FEMALE BODY	1
8	112184	MOUNT WELDMENT 11 HP FRONT ENGINE	1
9	125130	VALVE, HYDR PRESSURE RELIEF LW	1
10	----	GOOSENECK ASSEMBLY	REF
11	2021-12-8S	ADAPTER STRAIGHT	1
12	2024-12-12S	ELBOW 90	REF
13	2024-12-8S	ELBOW 90	1
14	202702-12-12S	ADAPTER	1
15	202702-12-8S	ADAPTER	1
16	3-786-010033	TANK WELDMENT 5.5 GAL W/ ENG MOUNT	REF
17	3-846-010155	VALVE, RESTRICTOR	2
18	3/4NIPPLE	NIPPLE, ALL THREAD 3/4	1
19	CA-1595	MACHINE MOUNT 40 DUROMETER	REF
20	1-397-010302060	HOSE ASSEMBLY 1/2 X 60	1

ILLUSTRATED PARTS LIST

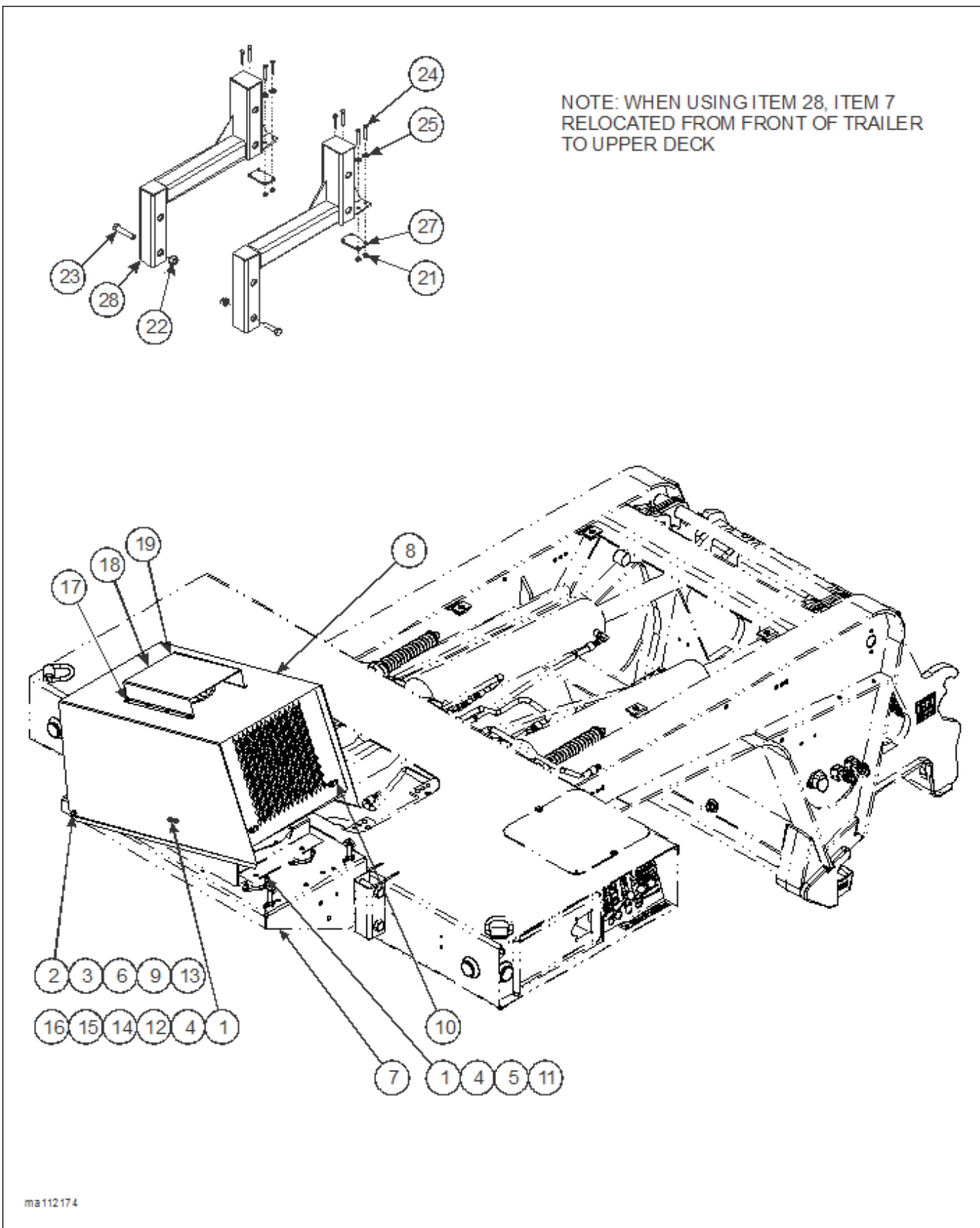
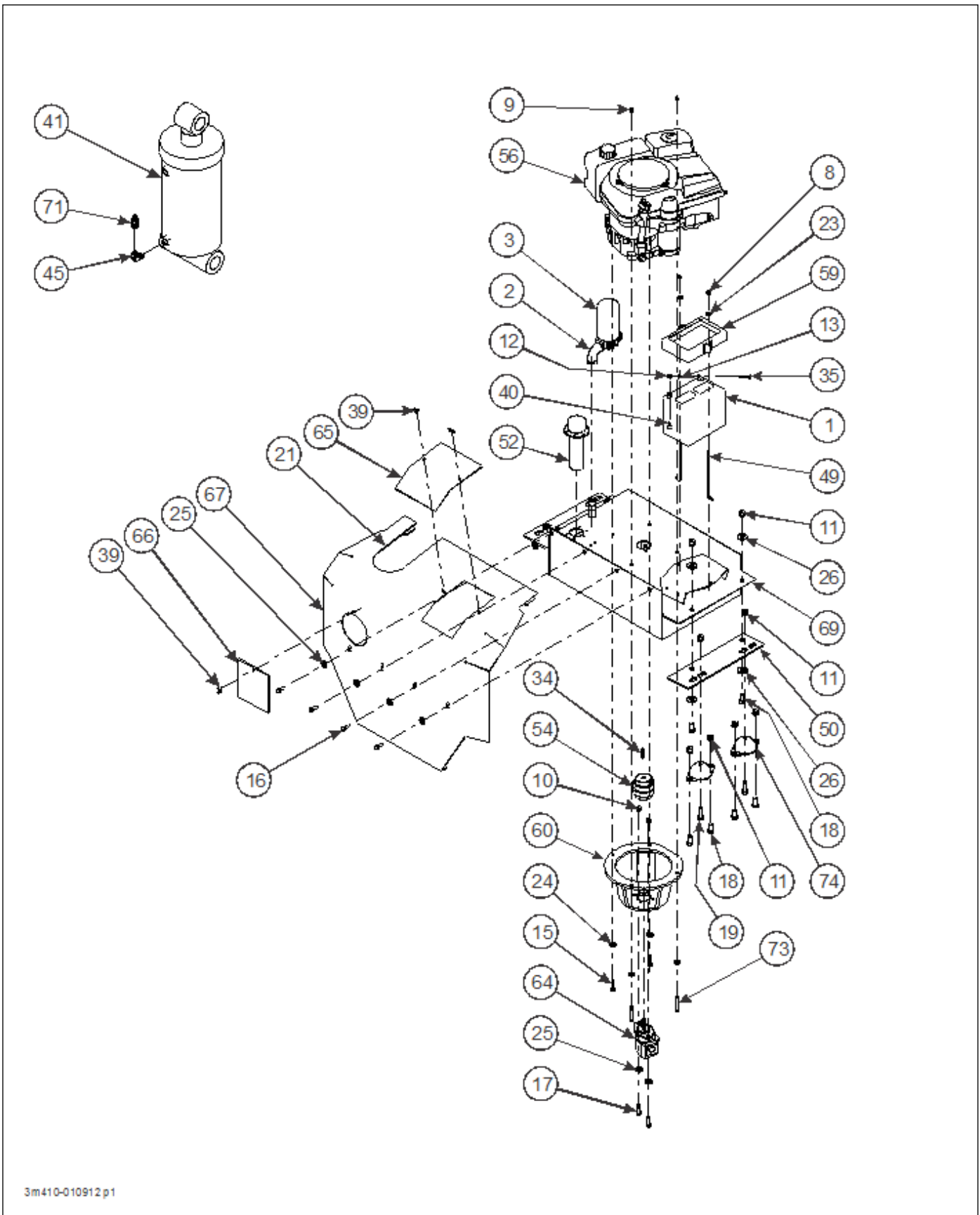


Figure 2-73: Front Mount Engine Cover Installation (Option)

FRONT MOUNT ENGINE COVER INSTALLATION (OPTION)

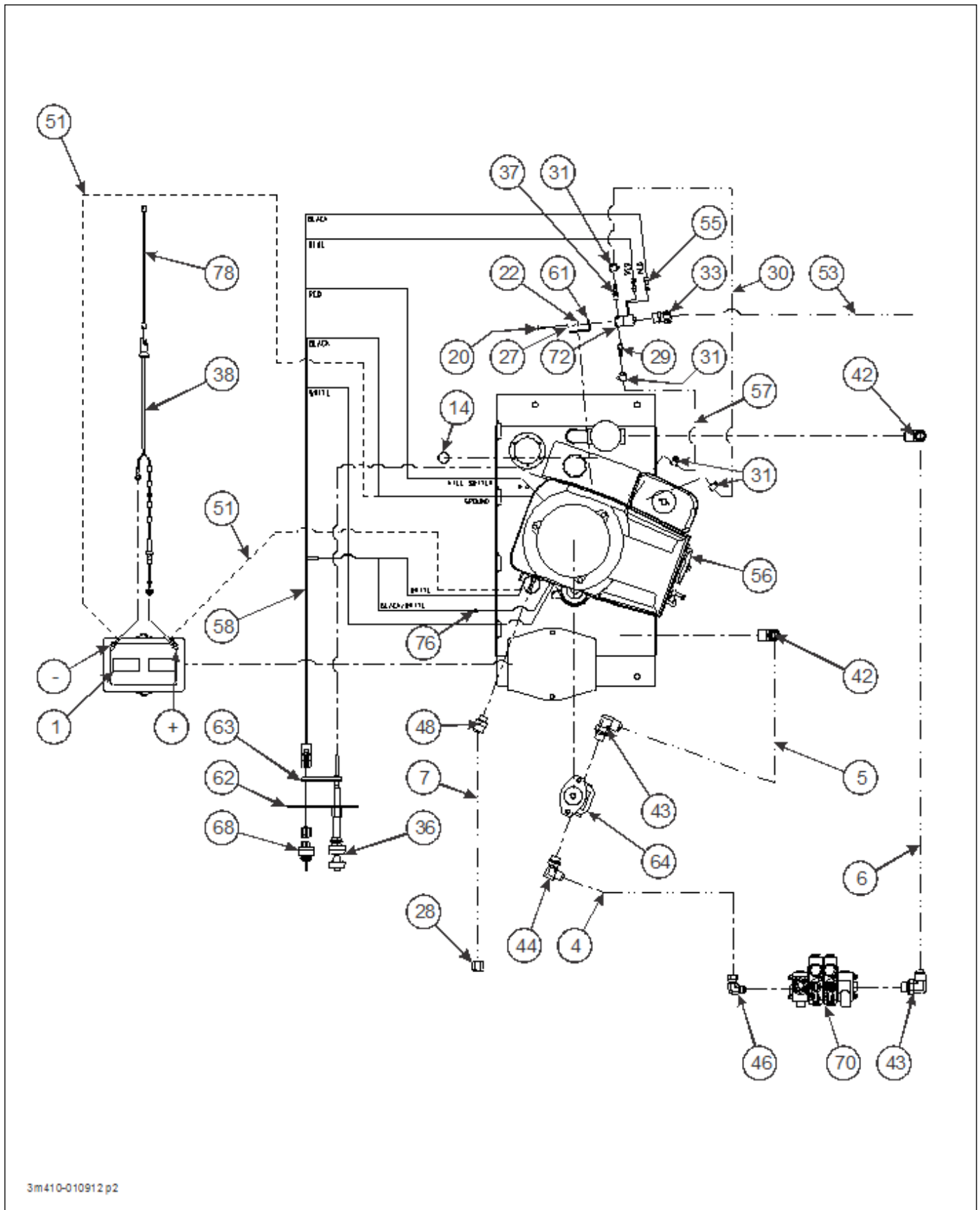
ITEM	PART NO.	DESCRIPTION	QTY.
	112174	COVER, INSTALLATION 11 HP FRONT MOUNT	
1	1-512-010004-03	NUT, HEX LOCK 10-24 GRA	10
2	1-512-010005-05	NUT, HEX LOCK 3/8-16 GRB	2
3	1-654-010051-05	SCREW, HEX HEAD CAP 3/8-16 X 1 GR5	2
4	1-656-010003051	SCREW, RD HEAD MACH #10-24 X 3/4	10
5	1-861-010032-03	WASHER, FLAT #10	10
6	1-861-010032-10	WASHER, FLAT 3/8N	2
7	112172	ENGINE INSTALLATION FRONT MOUNT (SEE PAGE 2-123)	REF
8	112175	COVER WELDMENT 11HP	1
9	112248	NYLON SHOULDER WASHER	4
10	231-4310	BRACKET, LATCHING	2
11	239-4899	LATCH, BATTERY COVER	2
12	1-343-010001	RUBBER GROMMET	1
13	10030	SEAL, BAR STOCK NEOPRENE SPNG	1
14	3-120-010463	BRACKET, HOOD STRAP	1
15	3-153-010024040	CABLE, VINYL COATED 1/8 X 40	1
16	3-182-010034	CLAMP, 1/8 WIRE ROPE	4
17	118-7429	SCREW, SELF TAP HEX HEAD #10 X 1/2	8
18	114815	SEAL, SPONGE RUBBER TRIM	1
19	171441	SHIELD, ENGINE COVER TOP	1
	118005	MOUNT KIT, ENG PACKAGE 825 DECK	1
20	1-397-010302042	HOSE ASSEMBLY, 1/2 X 42 (NOT SHOWN) (REPLACES ITEM 68 PAGE 2-128)	1
21	1-512-010005-03	NUT, HEX LOCK 5/16-18 GRB	8
22	1-512-010005-19	NUT, HEX LOCK 1-8 GRB	2
23	1-654-010065-17	SCREW, HEX HEAD CAP 1-8 X 6 GR5	2
24	1-654-010121-06	SCREW, HEX SOCKET CTSK 5/16-18 X 1-1/4	8
25	1-861-010032-09	WASHER, FLAT 5/16W	8
26	105276	HOSE ASSEMBLY, 3/4 X 52 (NOT SHOWN) (REPLACES ITEM 6 PAGE 2-128)	1
27	110996	PAD, SWING REST BOTTOM	2
28	118006	MOUNT WELDMENT ENG PKG 825 DECK	2

ILLUSTRATED PARTS LIST



3m410-010912 p1

Figure 2-74: 42-11 HP Honda Engine Drive Installation (Option) (1 of 2)



3m410-010912 p2

Figure 2-75: 42-11 HP Honda Engine Drive Installation (Option) (2 of 2)

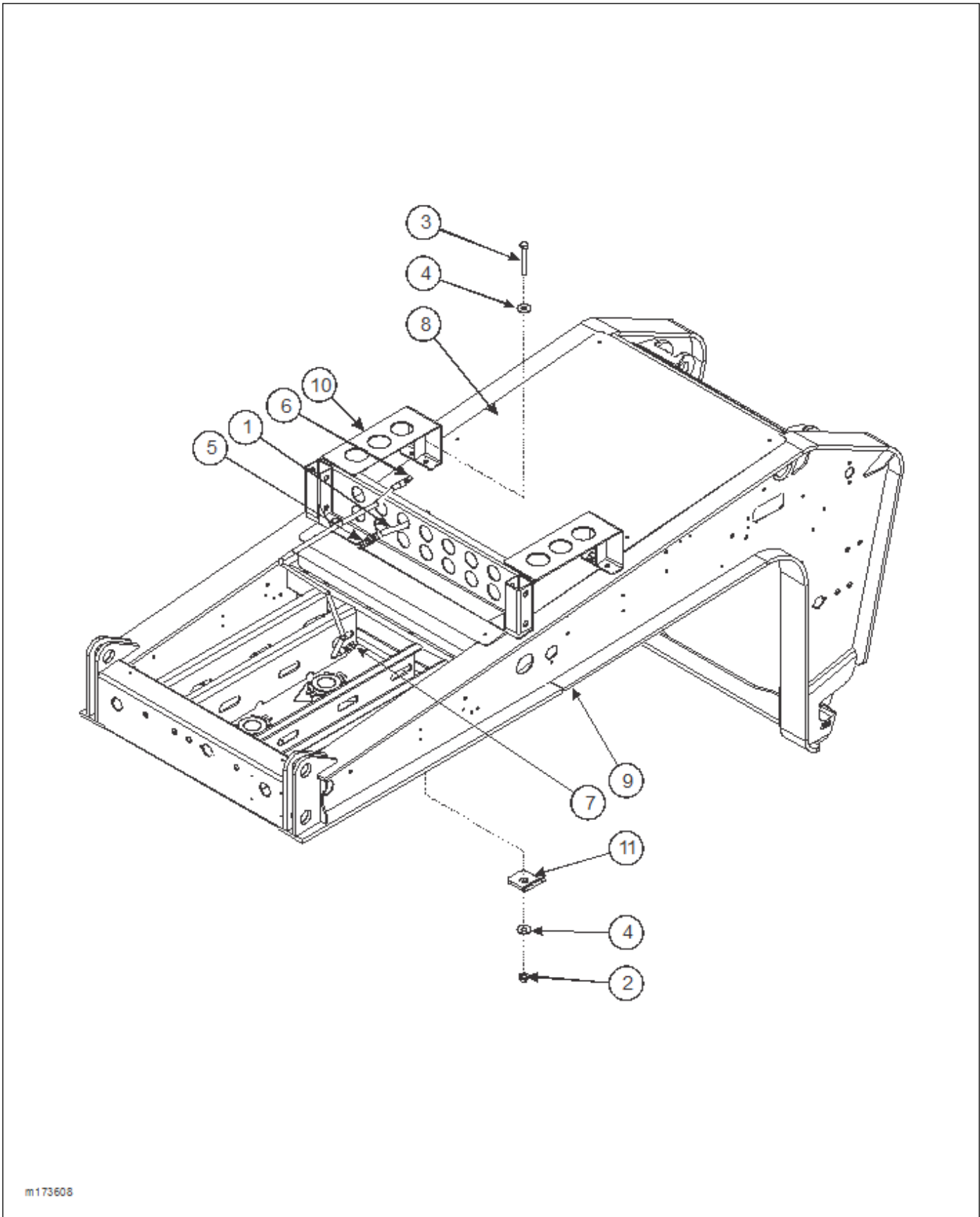
ILLUSTRATED PARTS LIST

42-11 HP HONDA ENGINE DRIVE INSTALLATION (OPTION)

ITEM	PART NO.	DESCRIPTION	QTY.
	3-410-010912	42-11 HP HONDA ENGINE DRIVE INSTALLATION	REF
1	1-060-010004	BATTERY	1
2	1-271-010005-05	ELBOW, STR 3/4	1
3	1-295-010001	RETURN LINE FILTER	1
4	1-397-010302060	HOSE ASSEMBLY 60"	1
5	1-397-010304016	HOSE ASSEMBLY 16"	1
6	1-397-010305060	HOSE ASSEMBLY 60"	1
7	1-397-010318018	HOSE ASSEMBLY 1/2	1
8	1-512-010005-01	NUT, HEX LOCK 1/4-20 GRB	2
9	1-512-010005-03	NUT, HEX LOCK 5/16-18	2
10	1-512-010005-05	NUT, HEX LOCK 3/8-16 GRB	8
11	1-512-010005-09	NUT, HEX LOCK 1/2-13 GRB	16
12	1-512-010007-05	NUT, HEX 1/4-20	1
13	1-512-010007-06	NUT, HEX 5/16-18	1
14	1-560-010002-05	PLUG, PIPE 3/4-14	1
15	1-654-010050-07	SCREW, HEX HEAD CAP 5/16 -24 X 1-1/2 GR5	2
16	1-654-010051-05	SCREW, HEX HEAD CAP 3/8-16 X 1 GR5	4
17	1-654-010051-06	SCREW, HEX HEAD CAP 3/8-16 X 1-1/4 GR5	4
18	1-654-010055-01	SCREW, HEX HEAD CAP 1/2-13 X 1 GR5	12
19	1-654-010055-03	SCREW, HEX HEAD CAP 1/2-13 X 1-1/2 GR5	4
20	1-654-010100015	SCREW, MACH SLOT TRUSS HEAD #8-32 X 5/8	2
21	1-822-010002	TRIM-LOK 3/16 X 23	1
22	1-861-010032-03	WASHER, FLAT #10	2
23	1-861-010032-07	WASHER, FLAT 1/4	2
24	1-861-010032-09	WASHER, FLAT 5/16	4
25	1-861-010032-11	WASHER, FLAT 3/8W	8
26	1-861-010032-15	WASHER, FLAT 1/2W	8
27	1-861-010034-07	WASHER SPLIT LOCK #10	2
28	102-0323	CAP NUT	1
29	102-0511	HOSE BARB	2
30	104-0505	HOSE FUEL LINE	2
31	105-0105	CLAMP, HOSE	4
33	106-0078	STRAIN RELIEF CONN 1/2	1
34	110-4337	KEY, STEEL	1
35	111-1267	SCREW, RD HEAD SQ NECK 5/16-18 X 1-1/4 GR5	1
36	139140	THROTTLE CABLE	1
37	144736	HOSE BARB	1
38	153032	HARNESS, TRICKLE CHARGE BATTERY	1
39	1/4-20WN	WING NUT, 1/4-20	3
40	1/4-20X1-1/4 CB	SCREW, RD HEAD SQ NECK 1/4-20 X 1-1/4	1
41	2-242-010084	CYLINDER, HYDRAULIC 8 X 8	REF
42	2024-12-12S	ADAPTER, 90	2
43	2062-10-12S	ADAPTER 90	1
44	2062-10-8S	ADAPTER 90	1
45	2062-8-8S	ADAPTER, 90	REF
46	2071-8-8S	ADAPTER 90	1
48	3-007-010042	ADAPTER	1
49	3-014-010023	ANCHOR BOLT BATTERY	2
50	3-054-010066	BAR, 4 HOLE MOUNT	2

42-11 HP HONDA ENGINE DRIVE INSTALLATION (OPTION)

ITEM	PART NO.	DESCRIPTION	QTY.
51	3-156-010042	CABLE ASSEMBLY	2
52	3-162-010001	FILLER BREATHER STRAINER ASSEMBLY	1
53	3-201-010002	CONDUIT, FLEX PLASTIC 3/8	1
54	3-220-010010	COUPLING ASSEMBLY	1
55	3-272-010021	ELECT. BUTT SPLICE	2
56	3-273-010014	ENGINE, 11HP HONDA	1
57	3-316-010008	FUEL HOSE 3/16	1
58	3-368-010068	HARNESS, WIRING	1
59	3-380-010006	HOLD DOWN BATTERY	1
60	3-482-010051	PUMP MOUNT WELDMENT	1
61	3-482-010137	MOUNT FUEL SOLENOID	1
62	3-565-010172	PLATE MOUNTING ENGINE CONTROLS	1
63	3-565-010173	PLATE, CLAMP	1
64	3-591-010010	PUMP, HYDRAULIC	1
65	3-681-010056	COVER, ENG ACCESS	1
66	3-681-010057	COVER, HYD ACCESS	1
67	3-681-010069	SHIELD WELDMENT	1
68	3-765-010015	SWITCH ASSEMBLY, STARTER	1
69	3-786-010037	TANK WELDMENT	1
70	3-846-010041	VALVE, 2 SPOOL	REF
71	3-846-010156	VALVE, RESTRICTOR ONE WAY	2
72	3-850-010002	FUEL SOLENOID 12V DC	1
73	5/16-18X2 HHCS	SCREW, HEX HEAD CAP 5/16-18 X 2 GR5	2
74	CA-1595	MACHINE MOUNT 40 DUROMETER	4
76	STP-164	CONNECTOR, FEMALE 1/4 SPADE INSULATED	1
78	3-368-010252	HARNESS ASSEMBLY, BULKHEAD LIGHT	1

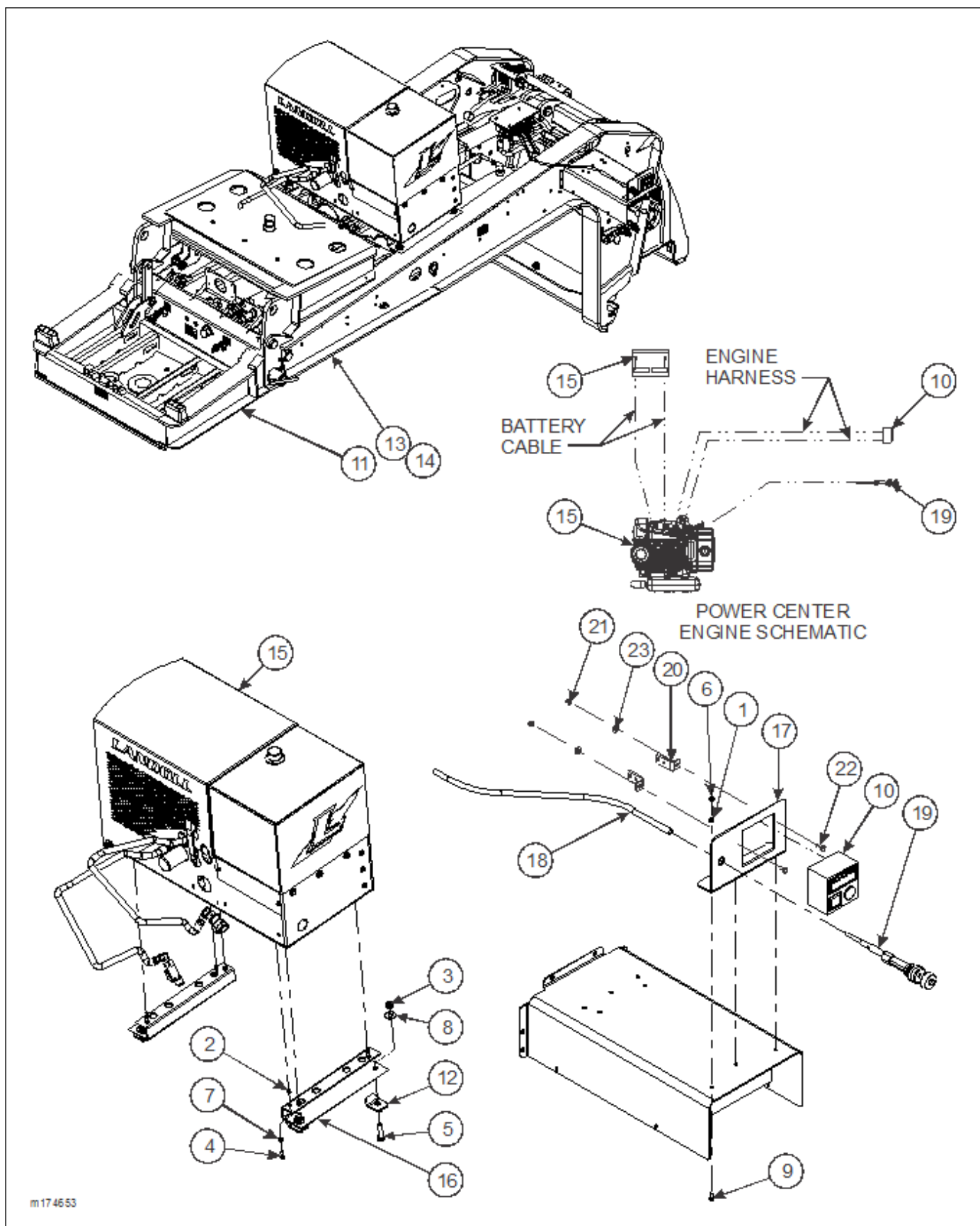


m173608

Figure 2-76: Engine Drive Support (Option)

ENGINE DRIVE SUPPORT (OPTION)

ITEM	PART NO.	DESCRIPTION	QTY.
	173608	ENGINE DRIVE SUPPORT	
1	1-397-010304060	HOSE ASSEMBLY 3/4 X 60	1
2	1-512-010005-15	NUT, HEX LOCK 3/4-10 GRB	4
3	1-654-010061-09	SCREW, HEX HEAD CAP 3/4-10 X 3 GR5	4
4	1-861-010032-21	WASHER, FLAT 3/4W	8
5	130157	FITTING, UNION 37 FLARE	1
6	1406044	HOSE ASSEMBLY 1/2 X 60	1
7	148338	FITTING, UNION 37 FLARE	1
8	162483	COVER, G/N TOP ALUM	REF
9	-----	GOOSENECK WLDMT	REF
10	173605	SUPPORT, ENG DRIVE WELDMENT	1
11	173607	CLAMP, ENG DRIVE	4



m174653

Figure 2-77: Diesel Engine Installation (Option)

DIESEL ENGINE INSTALLATION (OPTION)

ITEM	PART NO.	DESCRIPTION	QTY.
	174653	DIESEL ENGINE INSTALLATION	
1	1-512-010003-06	NUT, HEX LOCK #10-24	4
2	1-512-010005-05	NUT, HEX LOCK 3/8-16 GRB	4
3	1-512-010005-15	NUT, HEX LOCK 3/4-10 GRB	3
4	1-654-010051-06	SCREW, HEX HEAD CAP 3/8-16 X 1-1/4 GR5	4
5	1-654-010061-09	SCREW, HEX HEAD CAP 3/4-10 X 3 GR5	4
6	1-861-010032-03	WASHER, FLAT #10	10
7	1-861-010032-11	WASHER, FLAT 3/8W	8
8	1-861-010032-21	WASHER, FLAT 3/4W	8
9	107-1001	SCREW, HEX HEAD CAP #10-24 X 5/8	3
10	164026	DIESEL ENGINE CONTROL	REF
11	-----	FLIP WELDMENT, G/N	REF
12	173607	CLAMP, ENGINE DRIVE	4
13	174248	FRONT G/N HYDRAULIC FLIP EXTENSION INSTALLATION (SEE PAGE 2-37)	REF
14	174650	MODIFY G/N 855	REF
15	174651	ENGINE, 25 HP KOHLER DIESEL (SEE PAGE 2-138)	1
16	174654	BRACKET, MOUNTING ENG PACKAGE	2
17	174655	BRACKET, ENGINE CONTROLS	1
18	239-9008-3	CONDUIT, PLASTIC 1/2	1
19	3-155-010012	CABLE, THROTTLE	1
20	175932	BRACKET, ENGINE CONTROL SUPPORT	2
21	1-512-010005-01	NUT, HEX LOCK 1/4-20 GRB	2
22	1-654-010047-03	SCREW, HEX HEAD CAP 1/4-20 X 5/8 GR5	2
23	1-861-010032-07	WASHER, FLAT 1/4W	2

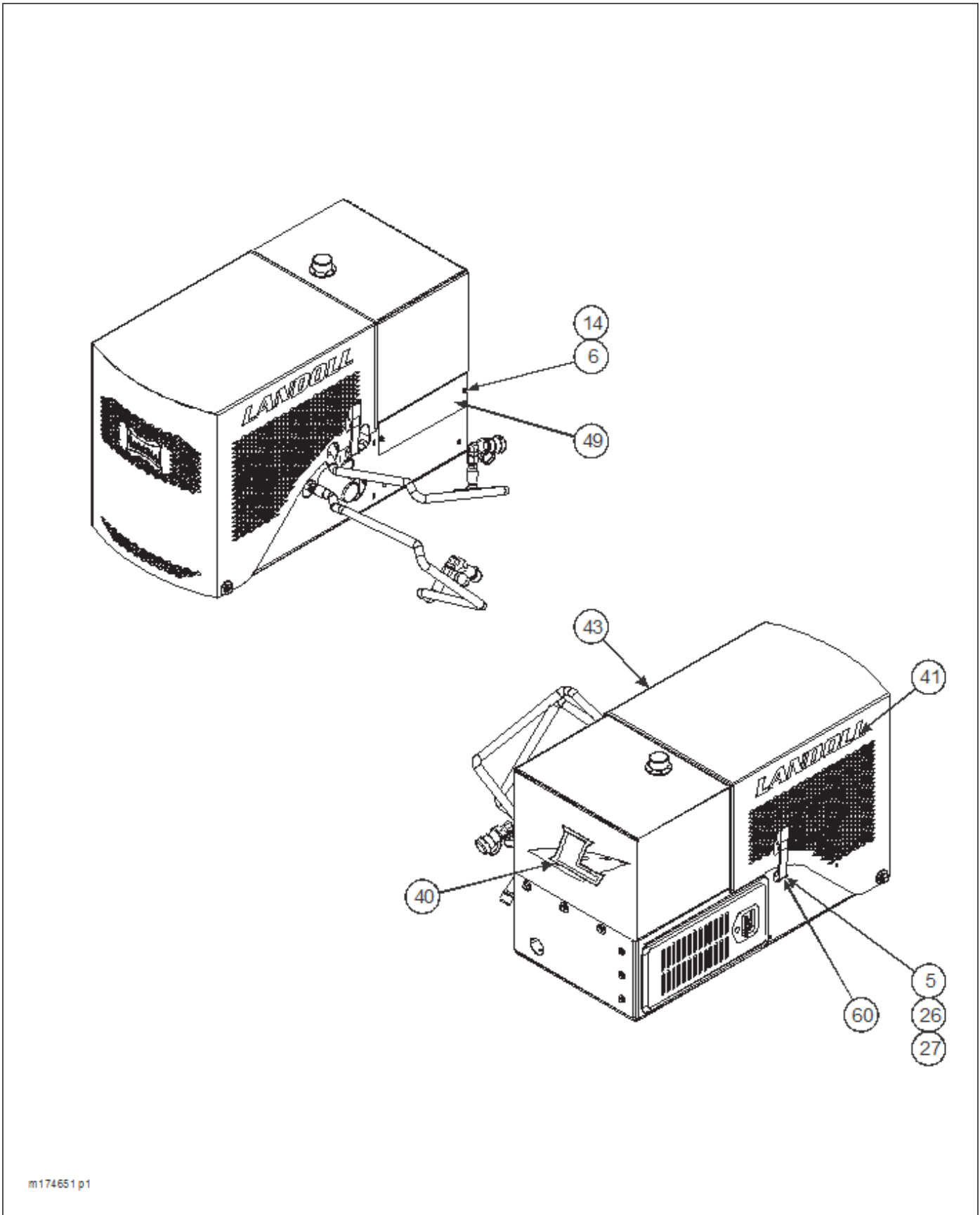
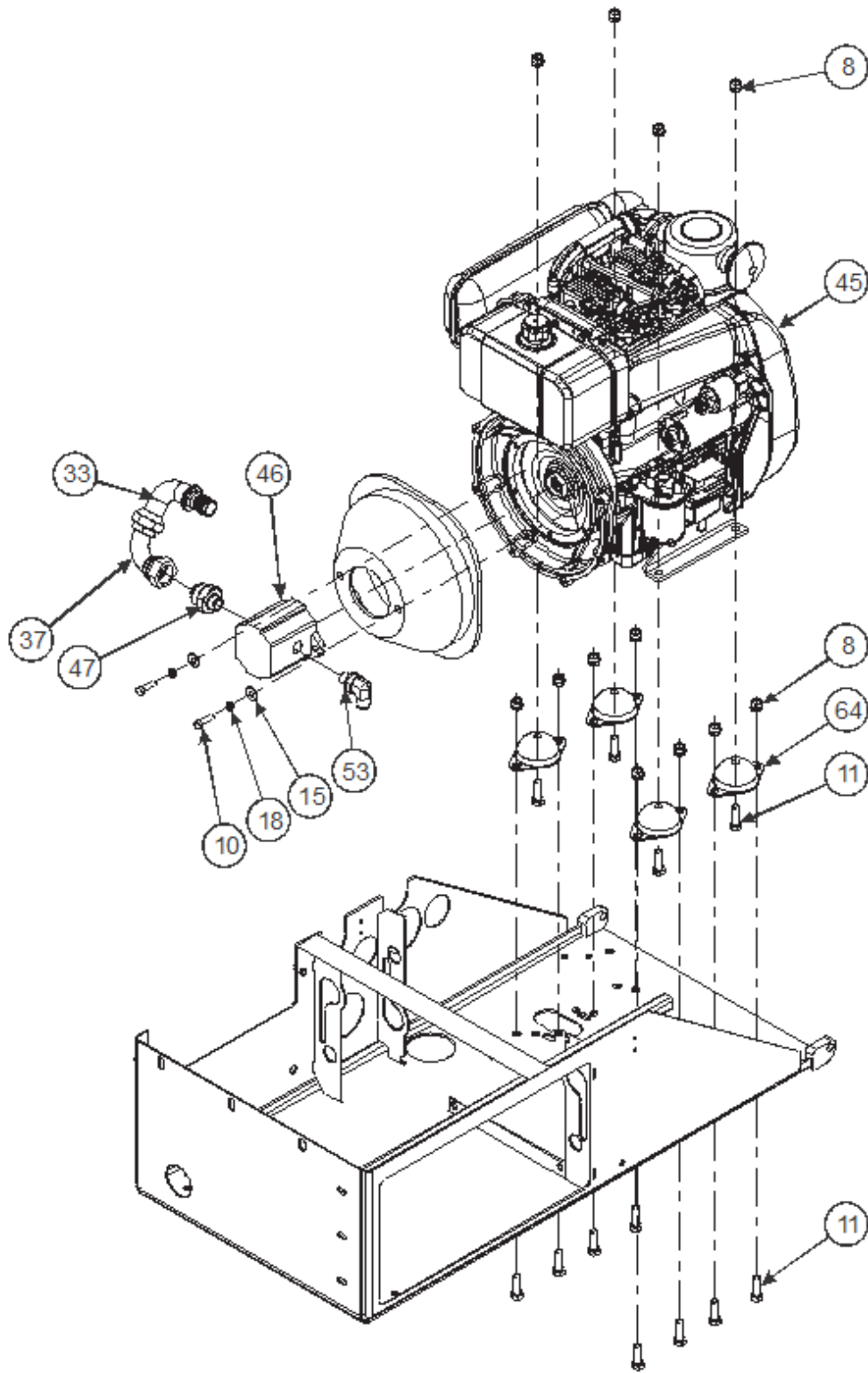


Figure 2-78: 17.5 Diesel Engine Installation (Option) (1 of 4)



m174651 p2

ENGINE ASSEMBLY

Figure 2-79: 17.5 Diesel Engine Installation (Option) (2 of 4)

ILLUSTRATED PARTS LIST

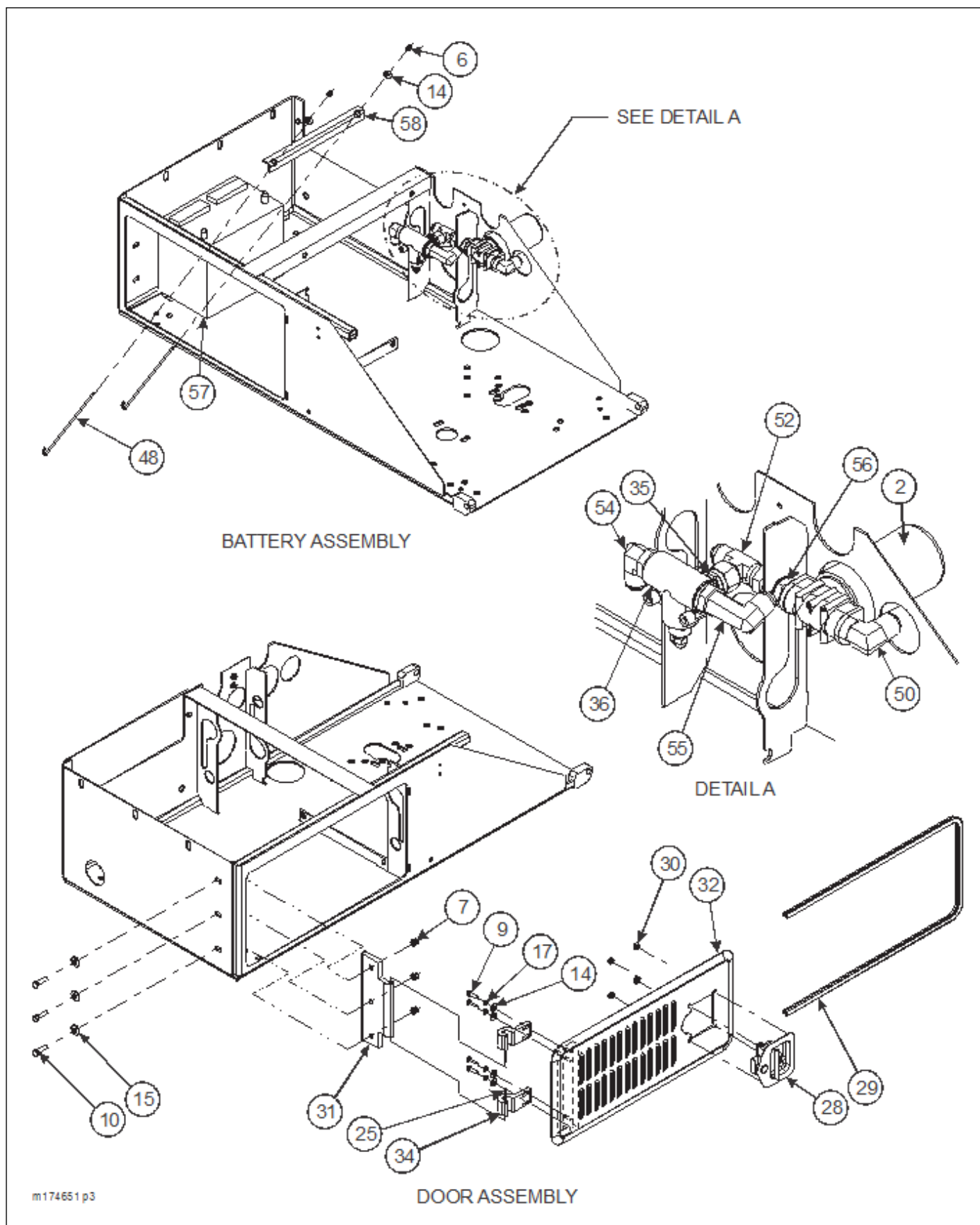


Figure 2-80: 17.5 Diesel Engine Installation (Option) (3 of 4)

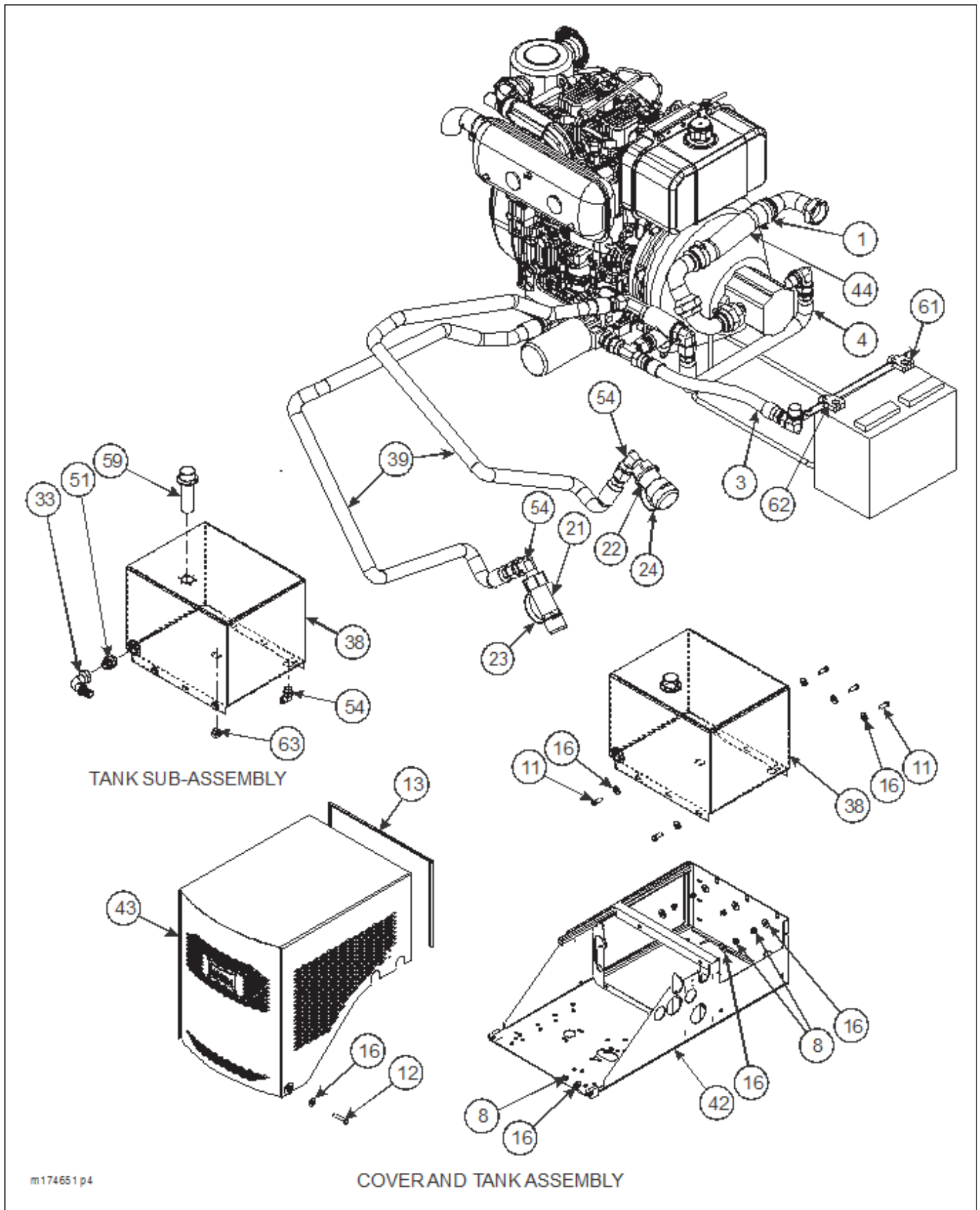


Figure 2-81: 17.5 Diesel Engine Installation (Option) (4 of 4)

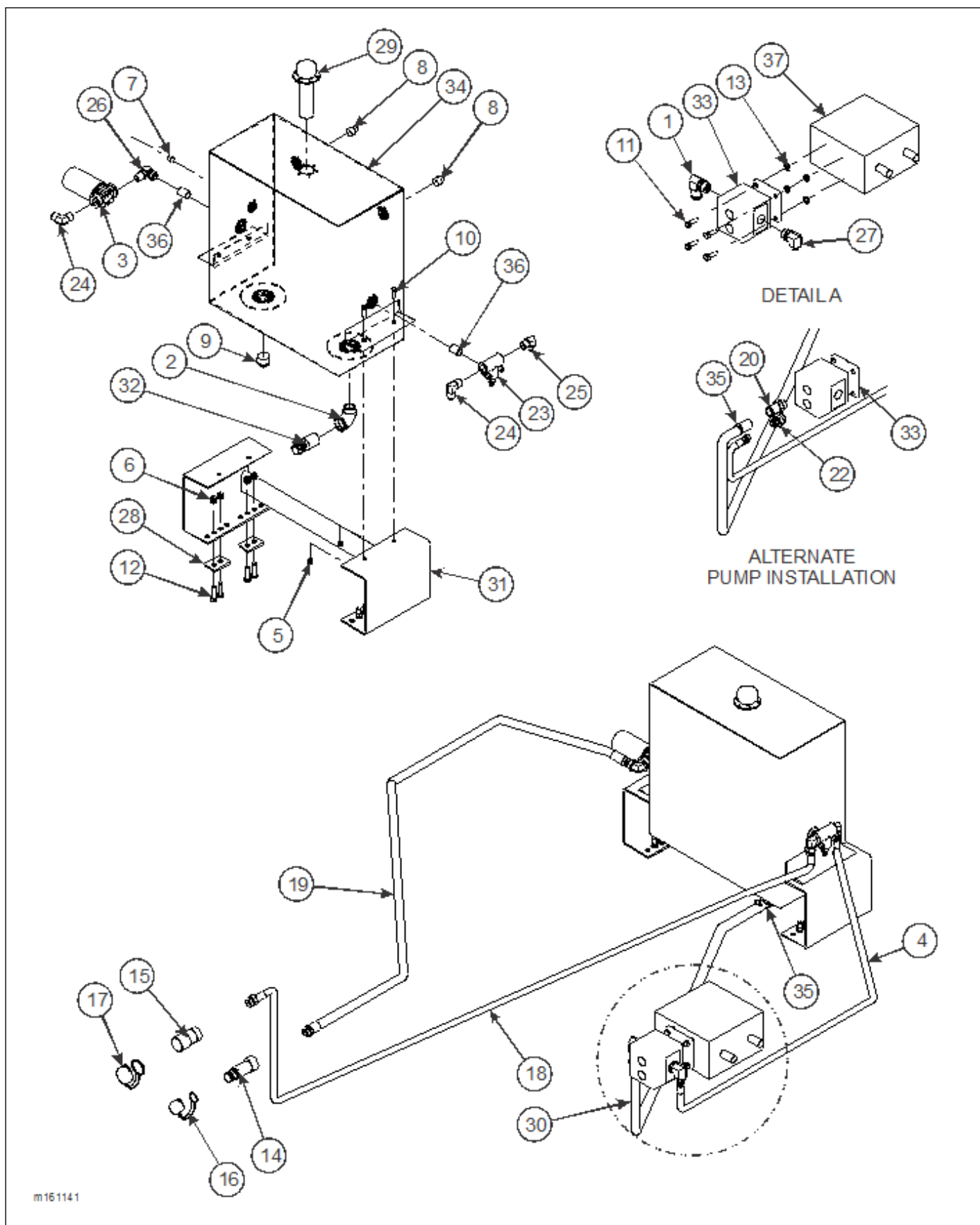
17.5 DIESEL ENGINE INSTALLATION (OPTION)

ITEM	PART NO.	DESCRIPTION	QTY.
	174651	17.5 DIESEL ENGINE INSTALLATION	REF
1	1-181-010046-7	CLAMP, HOSE 1-1/16 TO 2	2
2	1-295-010001	RETURN LINE FILTER	1
3	1-397-010304018	HOSE ASSEMBLY 3/4 X 18	1
4	1-397-010304025	HOSE ASSEMBLY 3/4 X 25	1
5	1-512-010004-03	NUT, HEX LOCK 10-24 GRA	10
6	1-512-010005-01	NUT, HEX LOCK 1/4-20 GRB	2
7	1-512-010005-05	NUT, HEX LOCK 3/8-16 GRB	2
8	1-512-010005-09	NUT, HEX LOCK 1/2-13 GRB	16
9	1-654-010047-06	SCREW, HEX HEAD CAP 1/4-20 X 1 GR5	8
10	1-654-010051-06	SCREW, HEX HEAD CAP 3/8-16 X 1-1/4 GR5	4
11	1-654-010055-03	SCREW, HEX HEAD CAP 1/2-13 X 1-1/2 GR5	17
12	1-654-010055-07	SCREW, HEX HEAD CAP 1/2-13 X 2-1/2 GR5	2
13	1-822-010002	TRIM-LOK 3/16 X 23	1
14	1-861-010032-07	WASHER, FLAT 1/4W	4
15	1-861-010032-11	WASHER, FLAT 3/8W	8
16	1-861-010032-15	WASHER, FLAT 1/2W	8
17	1-861-010034-09	WASHER SPLIT LOCK 1/4	4
18	1-861-010034-11	WASHER SPLIT LOCK 3/8	2
21	105479	COUPLER, FLAT FACE MALE NOSE	1
22	105480	COUPLER, FLAT FACE FEMALE BODY	1
23	105481	COUPLER, DUST CAP MALE	1
24	105482	COUPLER, DUST CAP FEMALE	1
25	108601	PIN, DOOR HINGE	2
26	110-0116	SCREW, RD HEAD CAP 10-24 X 3/4	8
27	110-0253	WASHER, FLAT 3/16	8
28	114814	LATCH, FOLDING T LOCKABLE	1
29	114815	SEAL, SPONGE RUBBER TRIM	5
30	115877	NUT, HEAVY HEX 1/4-20 GR5	4
31	116326	HINGE, BASE MOUNT	1
32	116328	MOUNT, DOOR WELDMENT	1
33	116330	FITTING, 90	1
34	119206	HINGE, DOOR	2
35	120660	ADAPTER	1
36	120661	VALVE, HYDRAULIC PRESSURE RELIEF	1
37	12412300-08	ADAPTER, 37 FLARE	1
38	129264	HYDRAULIC TANK WELDMENT	1
39	134901	HOSE ASSEMBLY 3/4 X 83	1
40	153751	DECAL, HWY L 7" REFLECTIVE	1
41	153795	DECAL, LANDOLL 2-1/2" REFLECTIVE	1
42	157257	MOUNT WELDMENT, DIESEL ENG PKG	1
43	157263	HOOD WELDMENT, ENG DRIVE UPPER DECK	1
44	159261	HOSE, SUCTION 1-1/4 X 8-1/2	1
45	164026	ENGINE, DIESEL 17.2 HP	1
46	164042	PUMP, HYDRAULIC	1
47	164046	ADAPTER	1
48	1709AS669-01	J-BOLT, BATTERY HOLD-DOWN 1/4-20 X 12	2
49	171204	PLATE, ACCESS	1
50	2024-12-12S	ELBOW, 90	1

17.5 DIESEL ENGINE INSTALLATION (OPTION)

ITEM	PART NO.	DESCRIPTION	QTY.
51	202702-20-20S	ADAPTER	1
52	203102-12-12S	ADAPTER, TEE	1
53	2062-10-12S	ADAPTER 90	1
54	2062-12-12S	ADAPTER, 90	4
55	206209-12-12S	ADAPTER, 90	1
56	2240-12-12S	ADAPTER, BULKHEAD	1
57	2481X	BATTERY 12V	1
58	3-120-010124	BATTERY CLAMP BRACKET	1
59	3-162-010001	FILLER-BREATHER-STRAINER ASSEMBLY	1
60	3-443-010018	LATCH, FLEXIBLE DRAW, LEVER ASSIST	2
61	514-9045-26	CABLE ASSEMBLY, BATTERY POSITIVE	1
62	514-9073-18	CABLE ASSEMBLY, BATTERY NEGATIVE	1
63	900598-12S	PLUG, O-RING	1
64	CA-1595	MACHINE MOUNT 40 DUROMETER	4

ILLUSTRATED PARTS LIST



m161141

Figure 2-82: Hydraulic Wet Kit (Option)

30 GALLON HYDRAULIC WET KIT (OPTION)

ITEM	PART NO.	DESCRIPTION	QTY.
	107498	HYDRAULIC WET KIT W/ PTO INSTALLED	
	107499	HYDRAULIC WET KIT W/ PTO NOT INSTALLED	
1	1-007-010006	ELBOW 90, 1-5/16 O-RING 1-1/4 HOSE	1
2	1-1/4ST ELL	BLACK PIPE ELBOW 90 ST	1
3	1-295-010001	FILTER, RETURN	1
	1-295-010002	FILTER ELEMENT	1
4	1-397-010301100	HOSE ASSEMBLY 1/2 X 100	1
5	1-512-010005-05	NUT, HEX LOCK 3/8-16 GRB	4
6	1-512-010005-09	NUT, HEX LOCK 1/2-13 GRB	8
7	1-560-010002-04	PIPE PLUG 1/2	1
8	1-560-010002-05	PIPE PLUG 3/4	2
9	1-560-010002-07	PLUG, BLACK PIPE 1-1/4 SQ HEAD	1
10	1-654-010051-06	SCREW, HEX HEAD CAP 3/8-16 X 1-1/4 GR5	4
11	1-654-010055-03	SCREW, HEX HEAD CAP 1/2-13 X 1-1/2 GR5	4
12	1-654-010055-04	SCREW, HEX HEAD CAP 1/2-13 X 1-3/4 GR5	8
13	1-861-010034-13	WASHER, SPLIT LOCK 1/2	4
14	105479	COUPLER, FLAT FACE MALE NOSE	1
15	105480	COUPLER, FLAT FACE FEMALE BODY	1
16	105481	COUPLER, DUST CAP MALE	1
17	105482	COUPLER, DUST CAP FEMALE	1
18	106759	HOSE ASSEMBLY 1/2 X 164	1
19	106760	HOSE ASSEMBLY 3/4 X 164	1
20	107513	ADAPTER	1
22	12-16 070120	ADAPTER	1
23	125130	RD12D HYD BY PASS SRDD	1
24	2024-12-12S	ADAPTER 90	2
25	2024-12-8S	ADAPTER, 90	1
26	2047-12-12S	ELBOW, 90 SWIVEL	1
27	2062-16-8S	ADAPTER, 90	1
28	3-120-010461	BRACKET, HYD TANK MOUNT SUPPORT	4
29	3-162-010001	FILLER-BREATHER-STRAINER ASSEMBLY	1
30	3-399-010001	HOSE, 1-1/4 SUCTION	8'
31	3-482-010503	TANK MOUNT	1
32	3-561-010001	HOSE BARB 1-1/4	1
33	3-591-010001	HYDRAULIC GEAR PUMP	1
34	3-786-010043	TANK, HYDRAULIC	1
35	6828	IDEAL HOSE CLAMP	2
36	C3069X12	NIPPLE, HEX	2
37	PTO	POWER TAKE OFF	*1,0

* FIRST QUANTITY LISTED IS FOR P/N'S 107498 AND 107499 HYDRAULIC WET KIT W/ PTO; SECOND QUANTITY LISTED IS FOR P/N 107500 HYDRAULIC WET KIT W/O PTO.

NOTES:

QUICK COUPLERS	3/4"
MAXIMUM OPERATING PRESSURE	2500 PSI
OPERATING FLOW	17 GPM
RESERVOIR REQUIREMENT	15 GAL.

ILLUSTRATED PARTS LIST

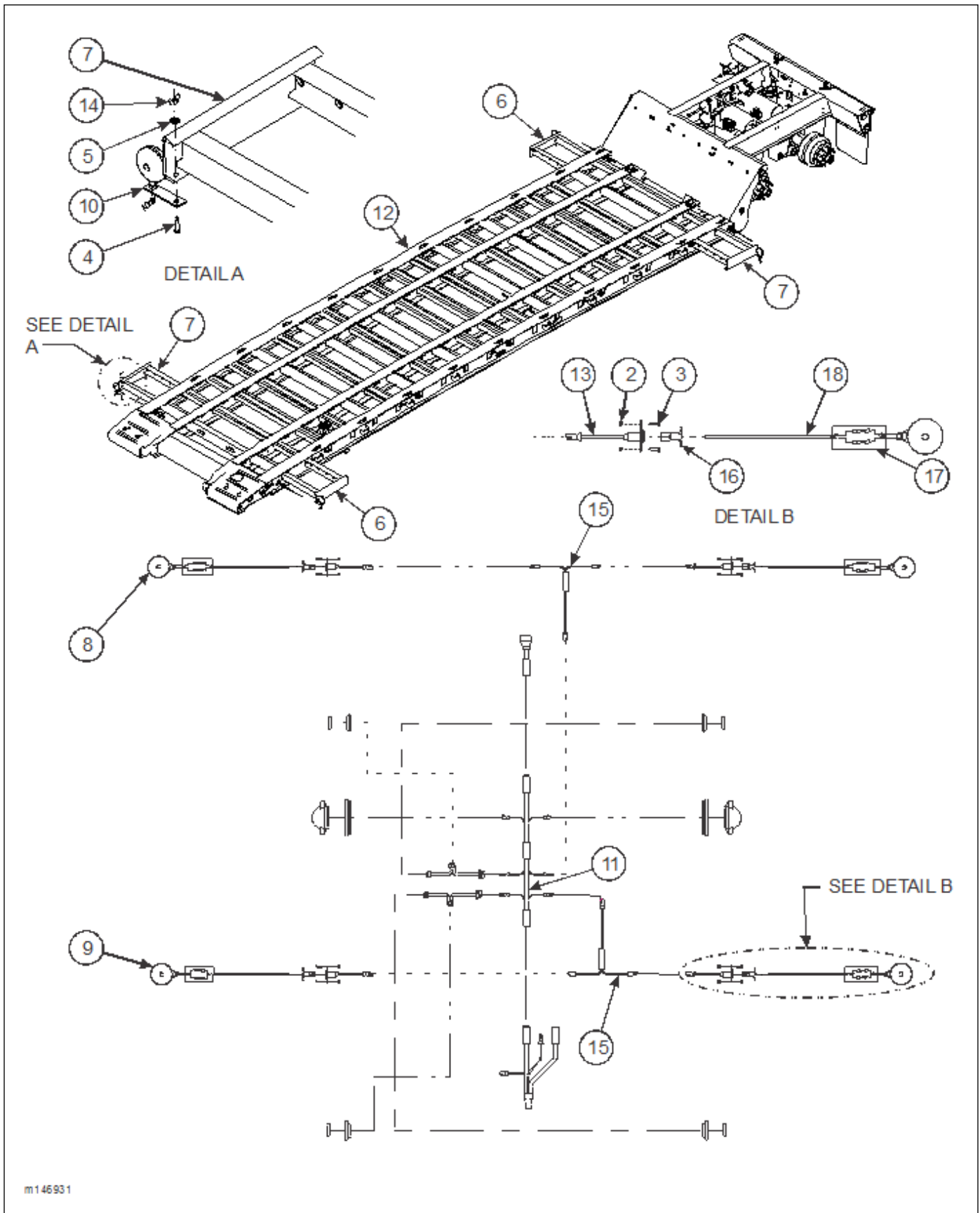


Figure 2-83: Pullout Extension Mounted Light Package (Option)

PULLOUT EXTENSION MOUNTED LIGHT PACKAGE (OPTION)

ITEM	PART NO.	DESCRIPTION	QTY.
	146931	PULLOUT EXTENSION MNTD LIGHT PACKAGE (OPTION)	
1	0013007	TUBING, HEAT SHRINK	AR
2	1-512-010005-01	NUT, HEX LOCK 1/4-20 GRB	8
3	1-654-010047-06	SCREW, HEX HEAD CAP 1/4-20 X 1 GR5	8
4	1-654-010051-07	SCREW, HEX HEAD CAP 3/8-16 X 1-1/2 GR5	4
5	1-861-010032-11	WASHER, FLAT 3/8W	8
6	-----	PULL-OUT ASSEMBLY, RH	REF
7	-----	PULL-OUT ASSEMBLY, LH	REF
8	129893	LAMP, YELLOW TURN SIGNAL STUD MOUNT	2
9	129894	LAMP, RED TURN SIGNAL STUD MOUNT	2
10	129895	BRACKET, LAMP MOUNTING PULLOUT EXT	4
11	143102	HARNESS, MAIN	2
12	-----	FRAME WELDMENT	REF
13	150116	PIGTAIL MAKER	4
14	155628	NUT, WING 3/8-16	4
15	167965	HARNESS, JUMPER T-POWER	2
16	3-272-010010	CONNECTOR ELECT 4 POLE MALE	4
17	3-272-010021	ELECT BUTT SPLICE 16/14 W/ SEAL	8
18	W214S-1	CABLE, 2 WIRE 14AWG PVC JACKET	AR

ILLUSTRATED PARTS LIST

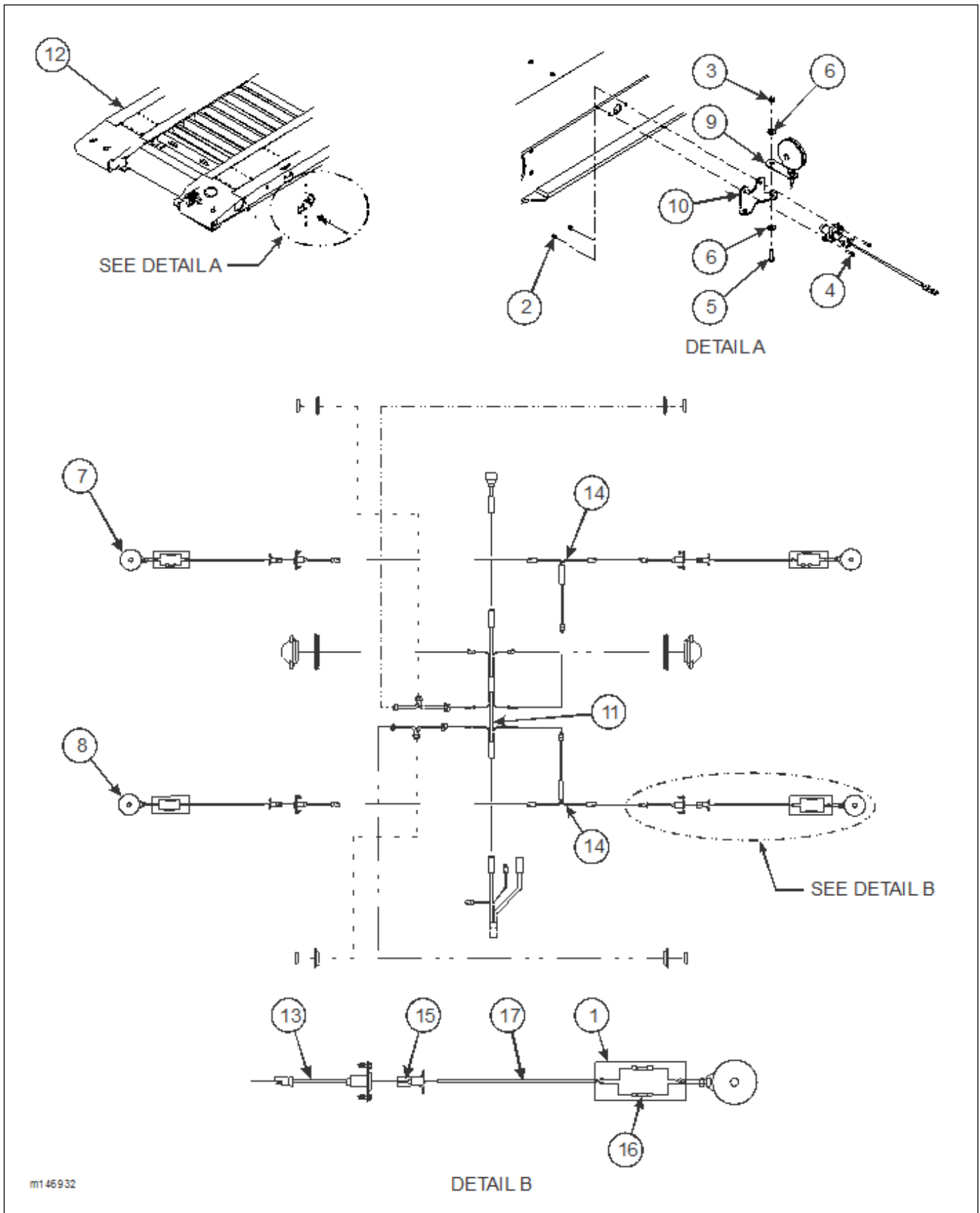
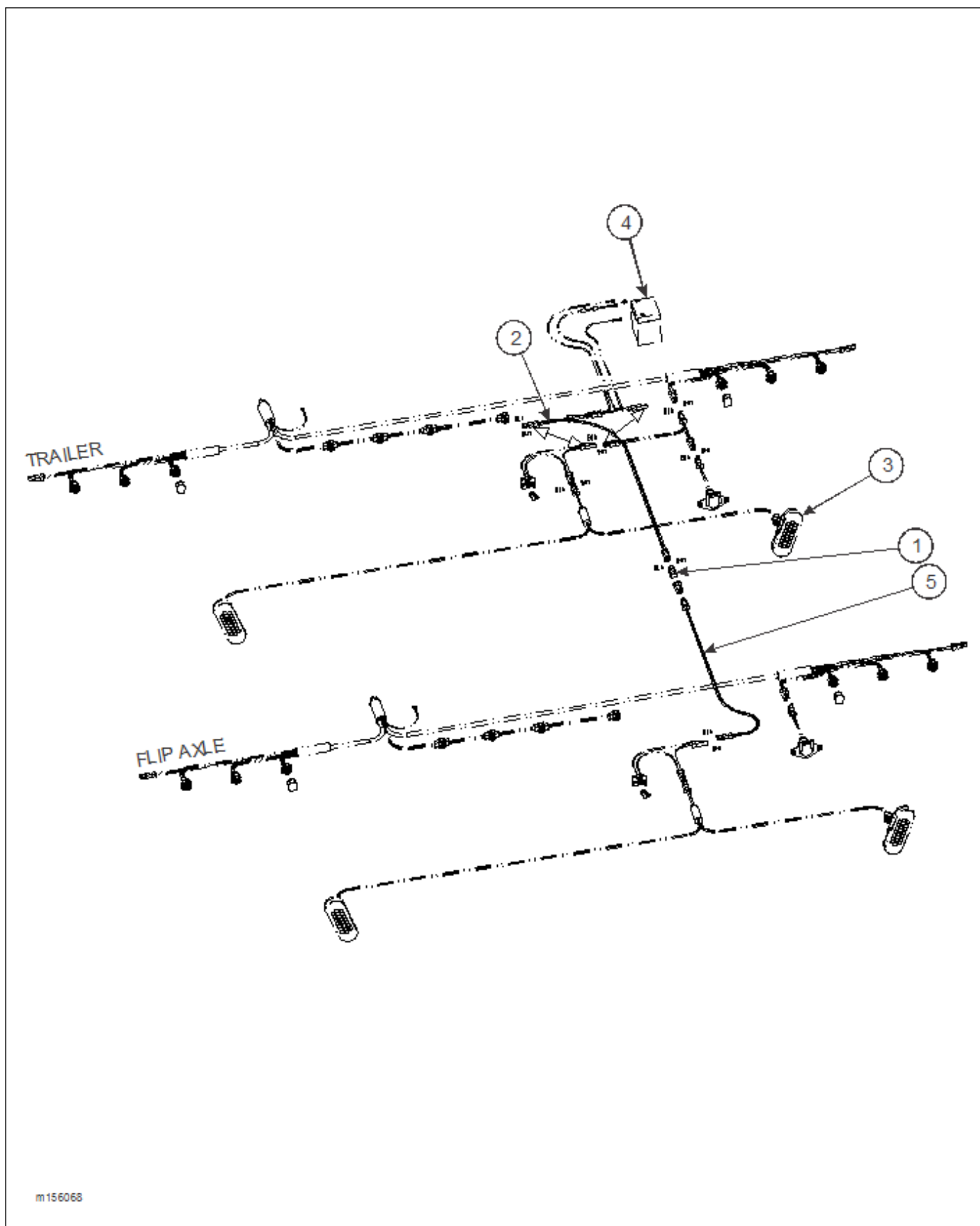


Figure 2-84: Web Mounted Four Corner Light Package (Option)

WEB MOUNTED FOUR CORNER LIGHT PACKAGE (OPTION)

ITEM	PART NO.	DESCRIPTION	QTY.
	146932	WEB MOUNTED FOUR CORNER LIGHT PACKAGE (OPTION)	
1	0013007	TUBING, HEAT SHRINK	1
2	1-512-010005-01	NUT, HEX LOCK 1/4-20 GRB	8
3	1-512-010005-05	NUT, HEX LOCK 3/8-16 GRB	4
4	1-654-010047-06	SCREW, HEX HEAD CAP 1/4-20 X 1 GR5	8
5	1-654-010051-07	SCREW, HEX HEAD CAP 3/8-16 X 1-1/2 GR5	4
6	1-861-010032-11	WASHER, FLAT 3/8W	8
7	129893	LAMP, YELLOW TURN SIGNAL STUD MOUNT	2
8	129894	LAMP, RED TURN SIGNAL STUD MOUNT	2
9	139132	BRACKET, LAMP MOUNTING SWING	4
10	139133	BRACKET, LAMP MOUNTING STATIONARY	4
11	143102	HARNESS, MAIN	REF
12	-----	FRAME WELDMENT	REF
13	150116	PIGTAIL MARKER	4
14	167965	HARNESS, JUMPER T-POWER	2
15	3-272-010010	CONNECTOR, ELECT 4 POLE MALE	4
16	3-272-010021	ELECT BUTT SPLICE 16/14 W/ SEAL	8
17	W214S-1	CABLE, 2 WIRE 14AWG PVC JACKET	AR



m156068

Figure 2-85: Battery Backup Bumper Strobe Light (Option)

BATTERY BACKUP BUMPER STROBE LIGHT (OPTION)

ITEM	PART NO.	DESCRIPTION	QTY.
	156068	BATTERY BACKUP BUMPER STROBE LIGHT (OPTION)	
1	143121	DUMMY PLUG, MALE/FEM BULLET	2
2	150118	HARNESS, JUMPER BRANCH	REF
3	155107	STROBE, BUMPER	REF
4	156067	BATTERY BACKUP BUMPER STROBE LIGHT	REF
5	3-368-010252	HARNESS, JUMPER BRANCH	1

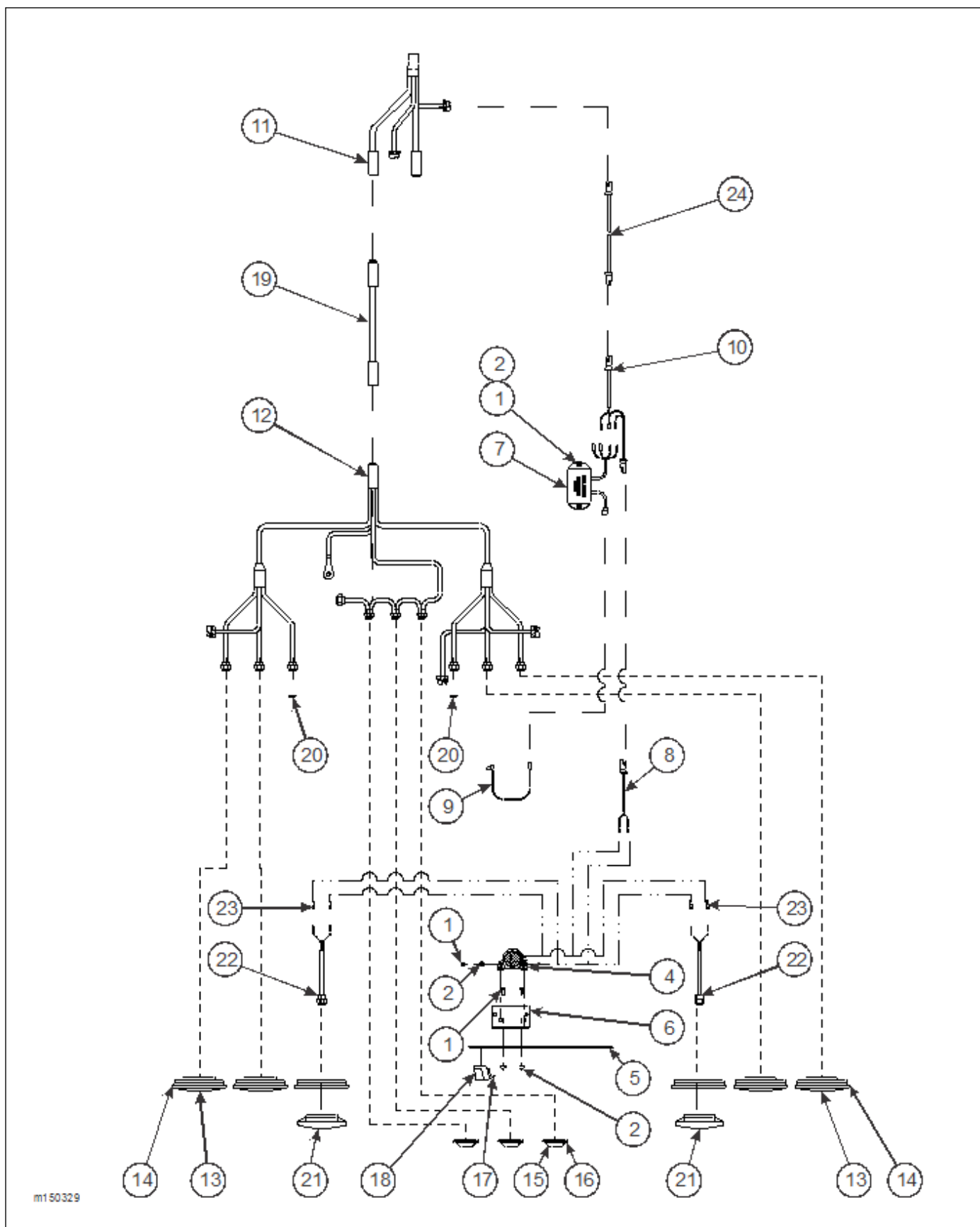
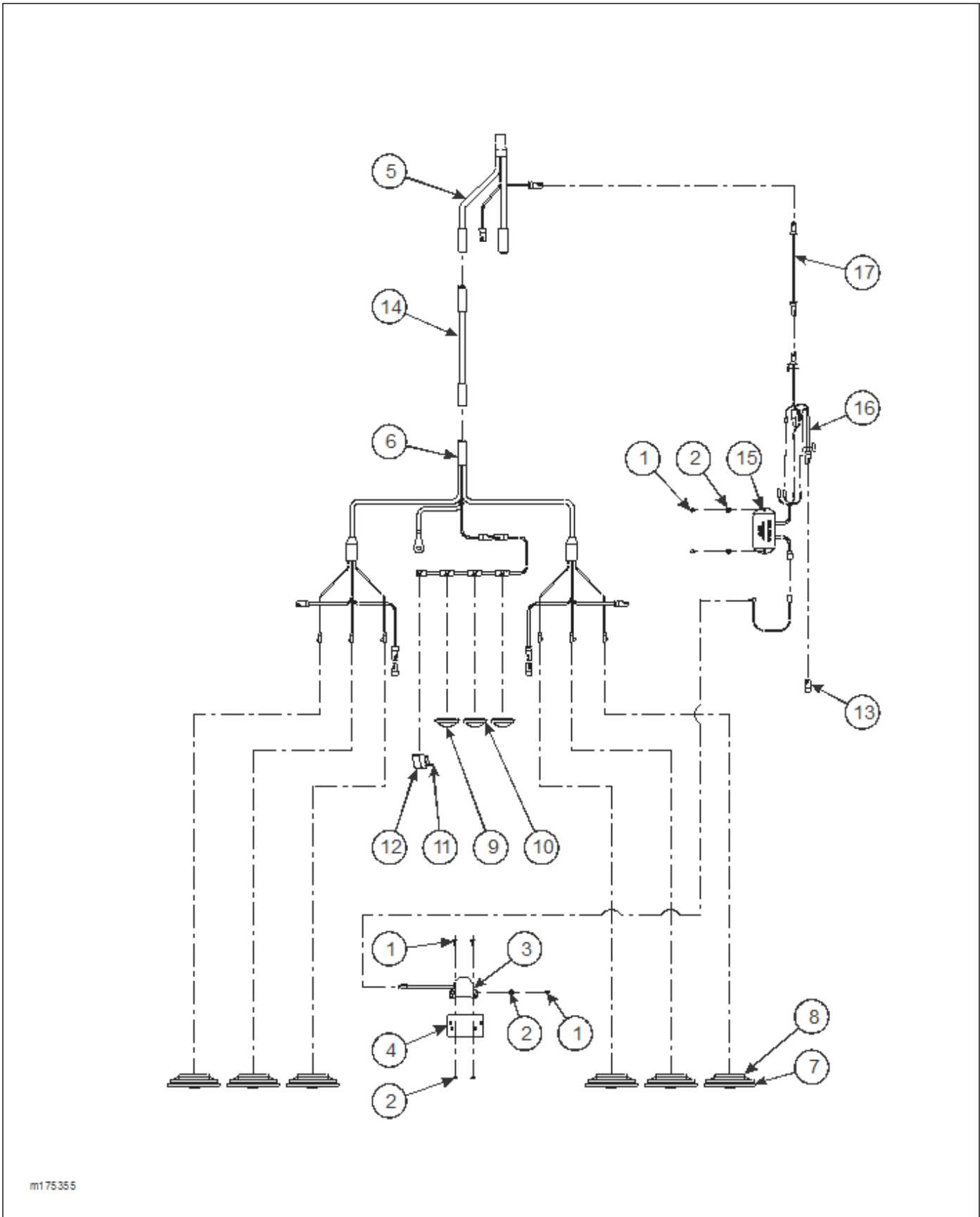


Figure 2-86: Backup Alarm/Light Installation (Option)

BACKUP ALARM/LIGHT INSTALLATION (OPTION)

ITEM	PART NO.	DESCRIPTION	QTY.
	150329	BACKUP ALARM/LIGHT INSTALLATION	
1	1-654-010047-04	SCREW, HEX HEAD CAP 1/4-20 X 3/4 GR5	6
2	108417	NUT, HEX FLANGE SPIRALOCK 1/4-20	6
4	117997	ALARM, dB ADJUSTING SMART BACKUP	1
5	119531	PLATE, TAG MOUNT	REF
6	127991	BRACKET, BACKUP ALARM MOUNT	1
7	150072	REVERSE DETN MODULE AND SENSOR	1
8	150073	HARNESS, MODULE ALARM	1
9	150072	SENSOR, DIRECTIONAL CABLE BACKUP	1
10	150074	HARNESS, MODULE/ALARM	1
11	143103	HARNESS, E-CHAIN	REF
12	143104	HARNESS, BUMPER	REF
13	143113	LIGHT, RED LED OVAL STT	REF
14	143114	GROMMET, OVAL	REF
15	143115	LIGHT, RED LED RECTANGLE CLEARANCE	REF
16	143116	GROMMET, RECTANGLE	REF
17	143117	LIGHT, CLEAR LED LICENSE	REF
18	143118	BRACKET, LIGHT LICENSE	REF
19	143166	HARNESS, EXT 48"	REF
20	144608	DUMMY PLUG FOR FEMALE PLUG	2
21	150330	GROTE LED BACKUP CLEAR	2
22	150331	GROTE HARNESS	2
23	239-3646-3	TERMINAL	4
24	3-368-010252	HARNESS ASSEMBLY, BULKHEAD EXT	1



m175355

Figure 2-87: Backup Alarm/Light Installation (Option)

BACKUP ALARM INSTALLATION (OPTION)

ITEM	PART NO.	DESCRIPTION	QTY.
	175355	BACKUP ALARM INSTALLATION	
1	1-654-010047-04	SCREW, HEX HEAD CAP 1/4-20 X 3/4 GR5	6
2	108417	NUT, HEX FLANGE SPIRALOCK 1/4-20	6
3	117997	ALARM, dB ADJUSTING SMART BACKUP	1
4	127991	BRACKET, BACKUP ALARM MOUNT	1
5	143103	HARNESS, E-CHAIN	REF
6	143104	HARNESS, BUMPER	REF
7	143113	LIGHT, RED LED OVAL STT	REF
8	143114	GROMMET, OVAL	REF
9	143115	LIGHT, RED LED RECTANGLE CLEARANCE	REF
10	143116	GROMMET, RECTANGLE	REF
11	143117	LIGHT, CLEAR LED LICENSE	REF
12	143118	BRACKET, LIGHT LICENSE	REF
13	143121	DUMMY PLUG MALE/FEM BULLET	1
14	143166	HARNESS, EXT 48"	REF
15	150072	SENSOR, DIRECTIONAL CABLE BACKUP	1
16	150074	HARNESS, MODULE/ALARM	1
17	3-368-010252	HARNESS ASSEMBLY, BULKHEAD EXT	1

ILLUSTRATED PARTS LIST

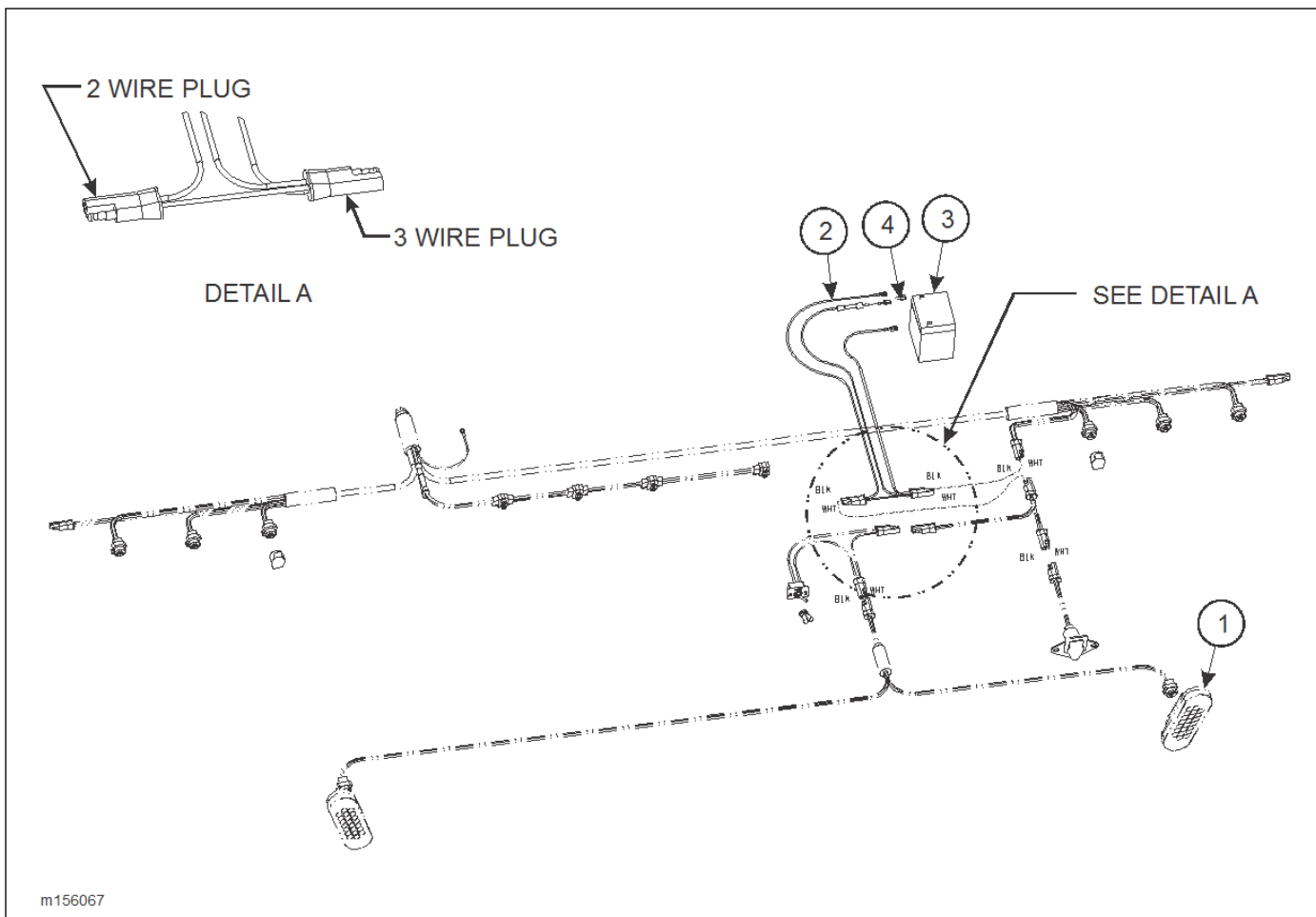


Figure 2-88: Battery Backup Bumper Strobe Light (Option)

BATTERY BACKUP BUMPER STROBE LIGHT (OPTION)

ITEM	PART NO.	DESCRIPTION	QTY.
	156067	BATTERY BACKUP BUMPER STROBE LIGHT (OPTION)	
1	155107	BUMPER STROBE LIGHT (SEE PAGE 2-153)	REF
2	156069	HARNESS ASSEMBLY, JUMPER TRIC CHG	1
3	3-128-010032	BATTERY BRAKE-AWAY	1
4	3-272-010157	ELECT ADAPTER CHAIR 1/4 PUSH ON	1
5	239-9961	INSULATION, OUTER (NOT SHOWN)	AR

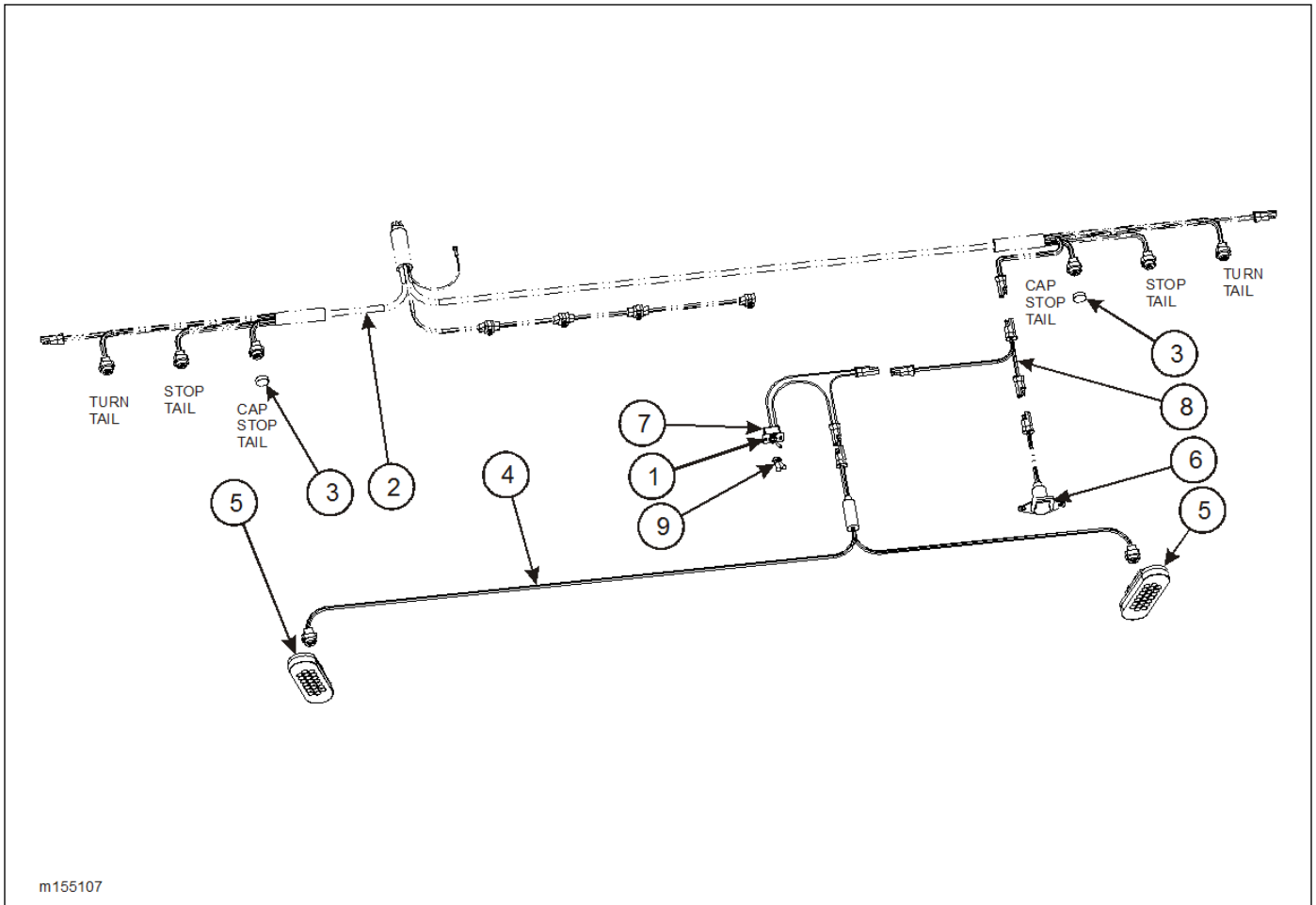


Figure 2-89: Bumper Strobe Light (Option)

BUMPER STROBE LIGHT (OPTION)

ITEM	PART NO.	DESCRIPTION	QTY.
	155107	BUMPER STROBE LIGHT	
1	130116	DECAL, ON/OFF LIGHT	1
2	143104	HARNESS, REAR LED	REF
3	144608	DUMMY PLUG FOR FEMALE PLUG	2
4	150114	HARNESS, BUMPER STROBE	1
5	150115	LIGHT, YELLOW STROBE OVAL	2
6	150116	HARNESS/RECEPTACLE ASSEMBLY	REF
7	150117	TOGGLE SWITCH SEALED SPST	1
8	150118	HARNESS, JUMPER BRANCH	1
9	81264	RUBBER BOOT FOR ELECT SWITCH	1

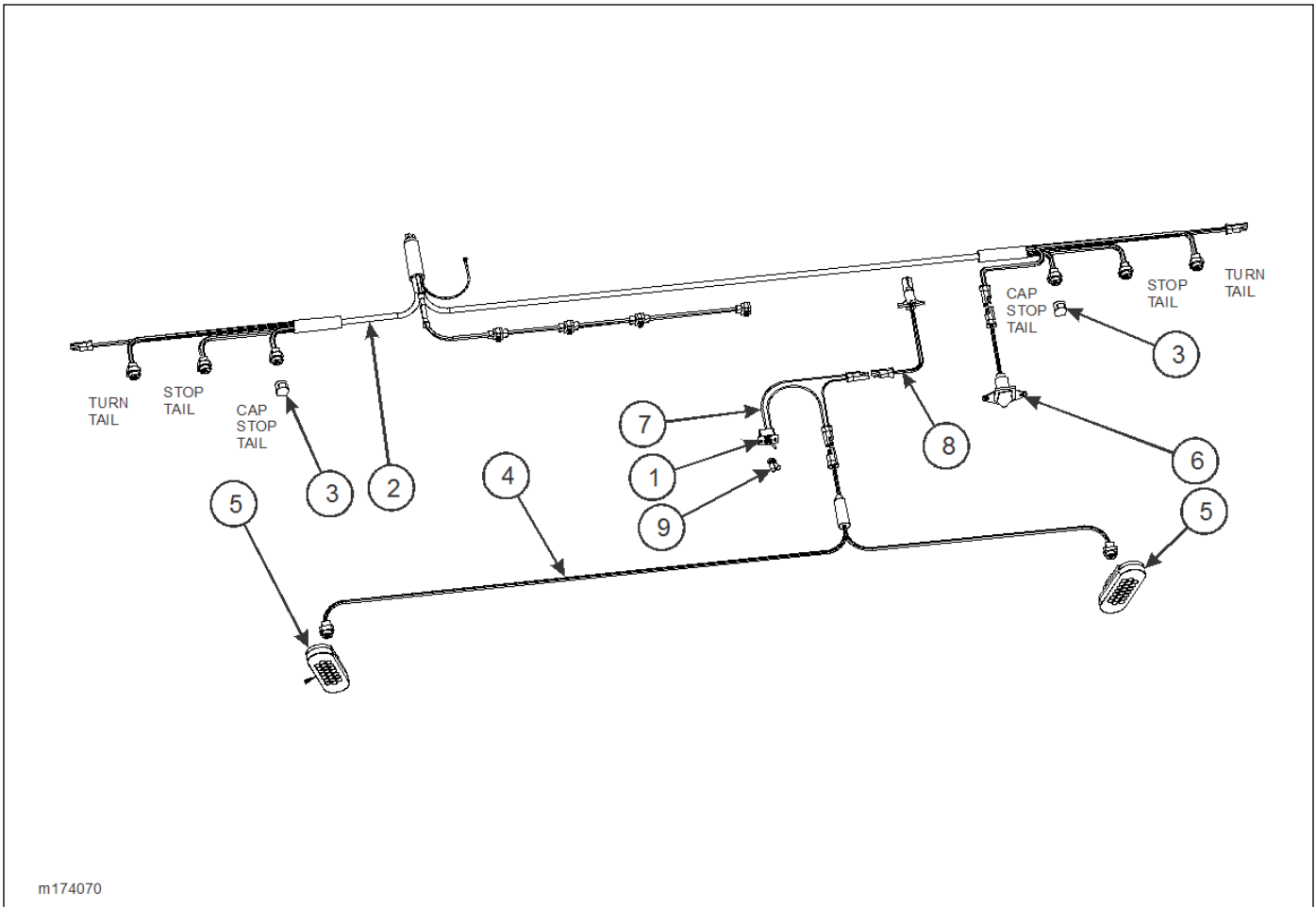
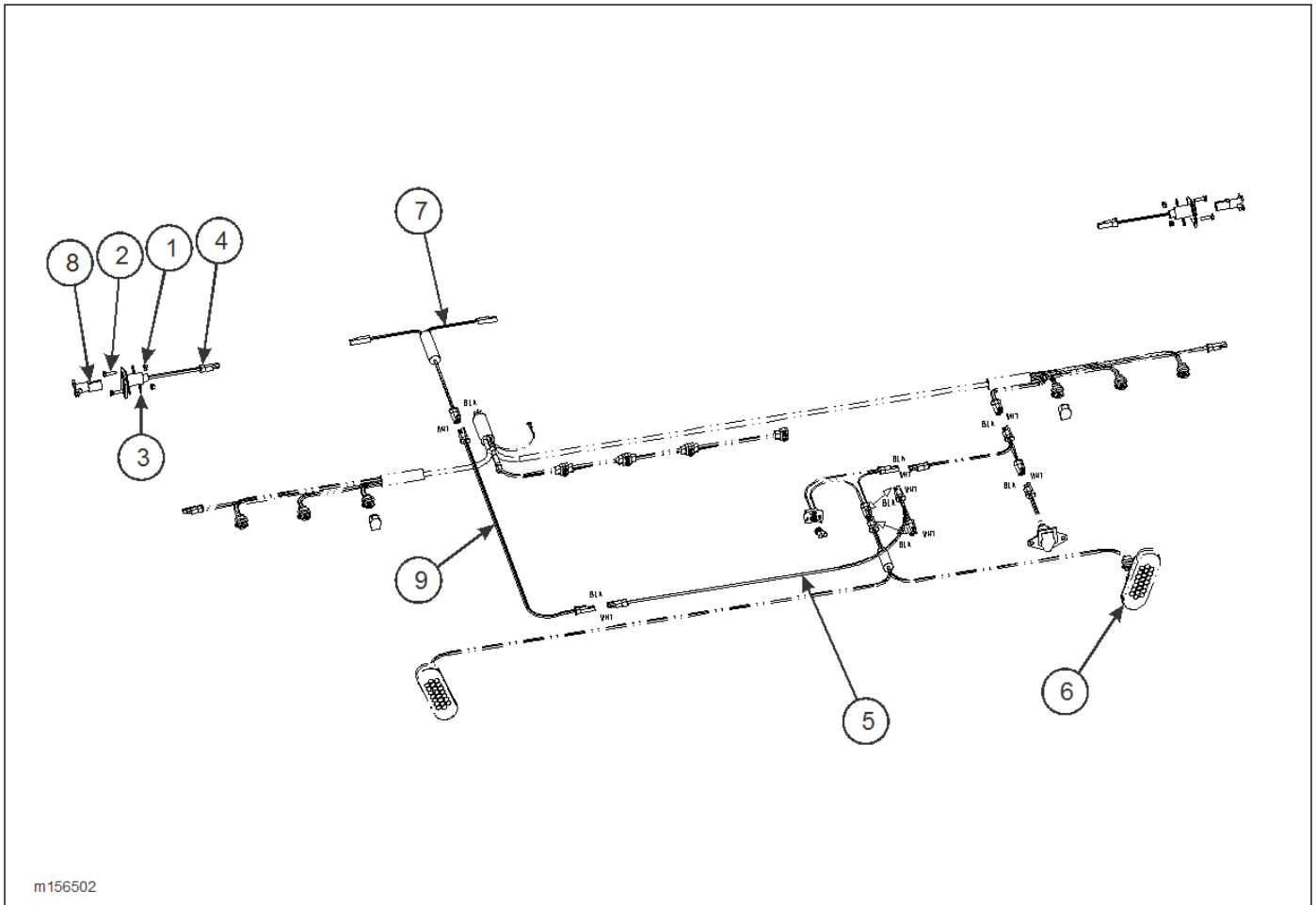


Figure 2-90: Flip Axle Bumper Strobe Light (Option)

FLIP AXLE BUMPER STROBE LIGHT (OPTION)

ITEM	PART NO.	DESCRIPTION	QTY.
	174070	BUMPER STROBE LIGHT	
1	130116	DECAL, ON/OFF LIGHT	1
2	143104	HARNESS, REAR LED	REF
3	144608	DUMMY PLUG FOR FEMALE PLUG	2
4	150114	HARNESS, BUMPER STROBE	1
5	150115	LIGHT, YELLOW STROBE OVAL	2
6	150116	HARNESS/RECEPTACLE ASSEMBLY	REF
7	150117	TOGGLE SWITCH SEALED SPST	1
8	174071	HARNESS, POWER FLIP STROBE	1
9	81264	RUBBER BOOT FOR ELECT SWITCH	1



m156502

Figure 2-91: Auxiliary Mid Electrical Outlet (Option)

AUXILIARY MID ELECTRICAL OUTLET (OPTION)

ITEM	PART NO.	DESCRIPTION	QTY.
	156502	AUXILIARY MID ELECTRICAL OUTLET	
1	1-512-010005-01	NUT, HEX LOCK 1/4-20	4
2	1-654-010047-06	SCREW, HEX HEAD CAP 1/4-20 X 1 GR5	4
3	1-861-010032-07	WASHER, FLAT 1/4W	4
4	150116	HARNESS/RECEPTACLE ASSEMBLY	2
5	150118	HARNESS, JUMPER BRANCH	1
6	----	STROBE, BUMPER	REF
7	167965	HARNESS, JUMPER T-POWER	1
8	3-272-010010	CONNECTOR ELECT 4 POLE MALE	2
9	3-368-010252	HARNESS ASSEMBLY, BULKHEAD LIGHT	1

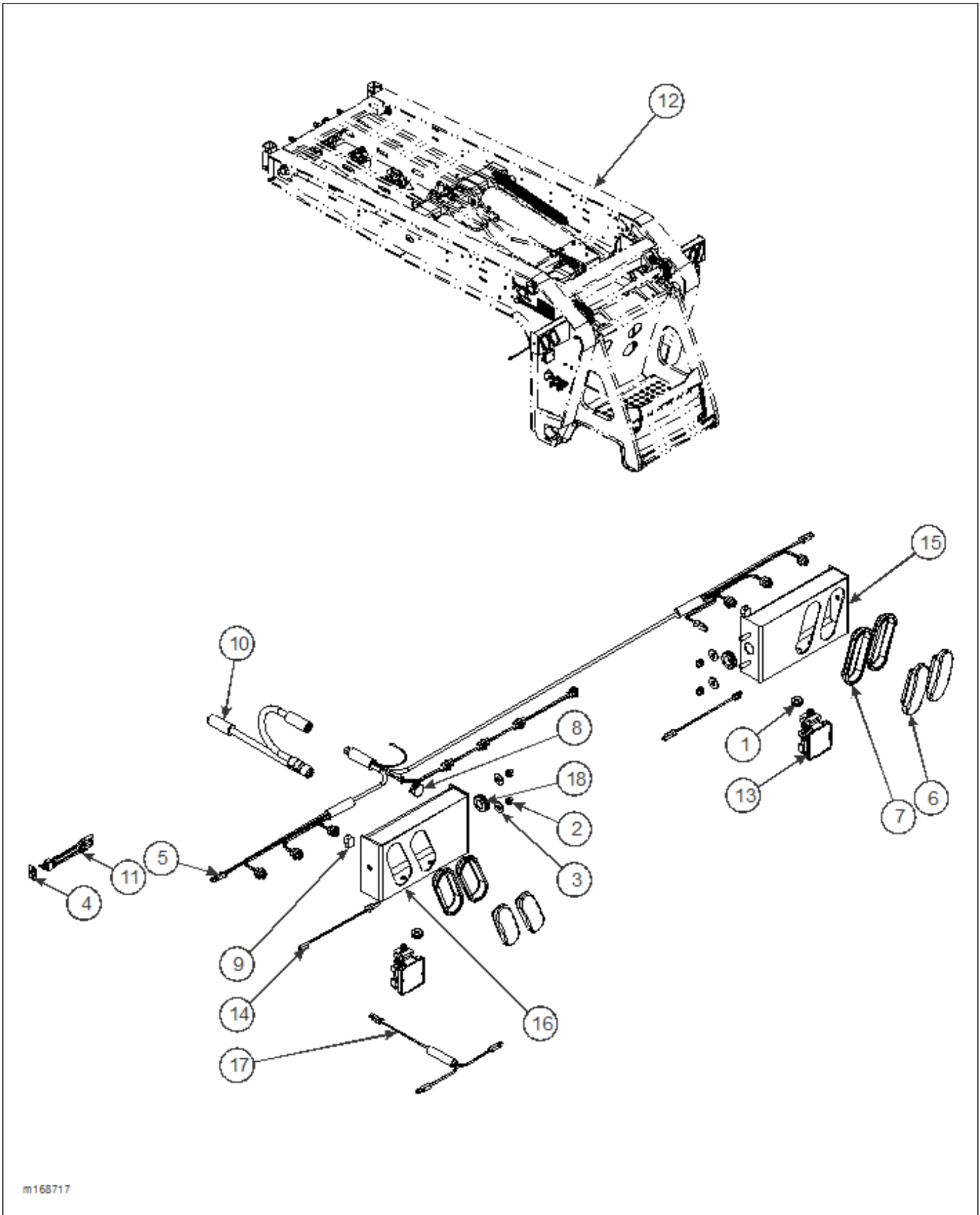


Figure 2-92: S/T/T Light Installation (Option)

S/T/T LIGHT INSTALLATION (OPTION)

ITEM	PART NO.	DESCRIPTION	QTY.
	168717	LIGHT ASSEMBLY, S/T/T	
1	1-343-010001	GROMMET, 1/2 X 1-1/8 X 3/4	2
2	1-512-010005-09	NUT, HEX LOCK 1/2-13 GRB	4
3	1-861-010032-15	WASHER, FLAT 1/2W	4
4	130116	DECAL, ON/OFF LIGHT	1
5	143104	HARNESS, REAR LED	1
6	143113	LIGHT, RED LED OVAL S/T/T	4
7	143114	GROMMET, OVAL	4
8	143121	DUMMY PLUG MALE/FEM BULLET	1
9	144608	DUMMY PLUG FOR FEMALE PLUG	2
10	146929	HARNESS, Y SPLITTER	1
11	150117	TOGGLE SWITCH SEALED SPST	1
12	-----	GOOSENECK ASSEMBLY	REF
13	163996	LIGHT, LED WHITE FLOOD LAMP	2
14	164052	HARNESS, BRANCH WORK LIGHT 60"	2
15	168712	MOUNT WELDMENT, RH S/T/T	1
16	168713	MOUNT WELDMENT, LH S/T/T	1
17	169853	HARNESS, JUMPER T-POWER	1
18	237-2308-012	GROMMET, 1-1/8 X 1/4 X 1-3/8	2

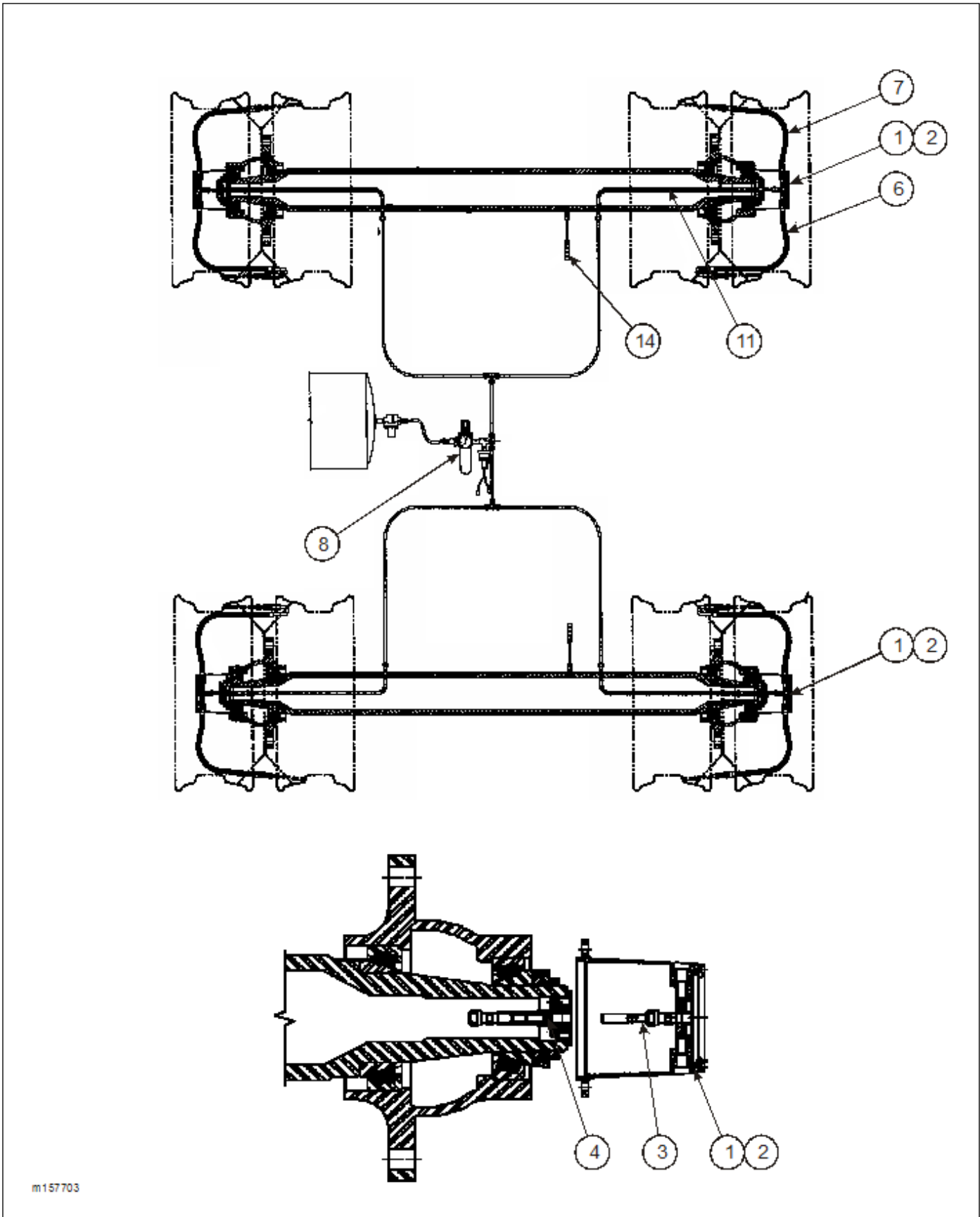


Figure 2-93: Tire Inflation System, Three Axle (Option)

TIRE INFLATION SYSTEM, THREE AXLE (OPTION)

ITEM	PART NO.	DESCRIPTION	QTY.
	157703	TIRE INFLATION SYSTEM 3AX	
	157700	TIRE INFLATION SYSTEM FLIP AXLE	
1	139529	HUB CAP ASSEMBLY, LOW PROFILE 5.5" OIL	*6, 2
2	157704	GASKET, HUB CAP	*6, 2
3	157705	ROTATING SHAFT, UNIVERSAL	*6, 2
4	157706	SPINDLE PLUG, 1.75"	*6, 2
5	157707	AIR CYLINDER ASSEMBLY (NOT SHOWN)	*6, 2
6	159338	HOSE ASSEMBLY, OUTER TIRE	*6, 2
7	159337	HOSE ASSEMBLY, INNER TIRE	*6, 2
8	178749	REGULATOR ASSEMBLY W/ BALL VALVE	1
9	-----	WARNING LIGHT WIRE (NOT SHOWN)	1
10	-----	NYLON AIR TUBE (NOT SHOWN)	1
11	-----	CHAFE GUARD	1
12	-----	LARGE WIRE TIES (NOT SHOWN)	3
13	148417	TRIPLE AXLE HARDWARE KIT (NOT SHOWN)	1
	148413	DUAL AXLE HARDWARE KIT (NOT SHOWN)	1
14	-----	AXLE VENT	1
15	145677	LIGHT PRESSURE GUARD (NOT SHOWN)	1
16	154653	PRESSURE SWITCH (NOT SHOWN)	1

* FIRST QUANTITY LISTED IS FOR P/N 157703; SECOND QUANTITY LISTED IS FOR P/N 157700

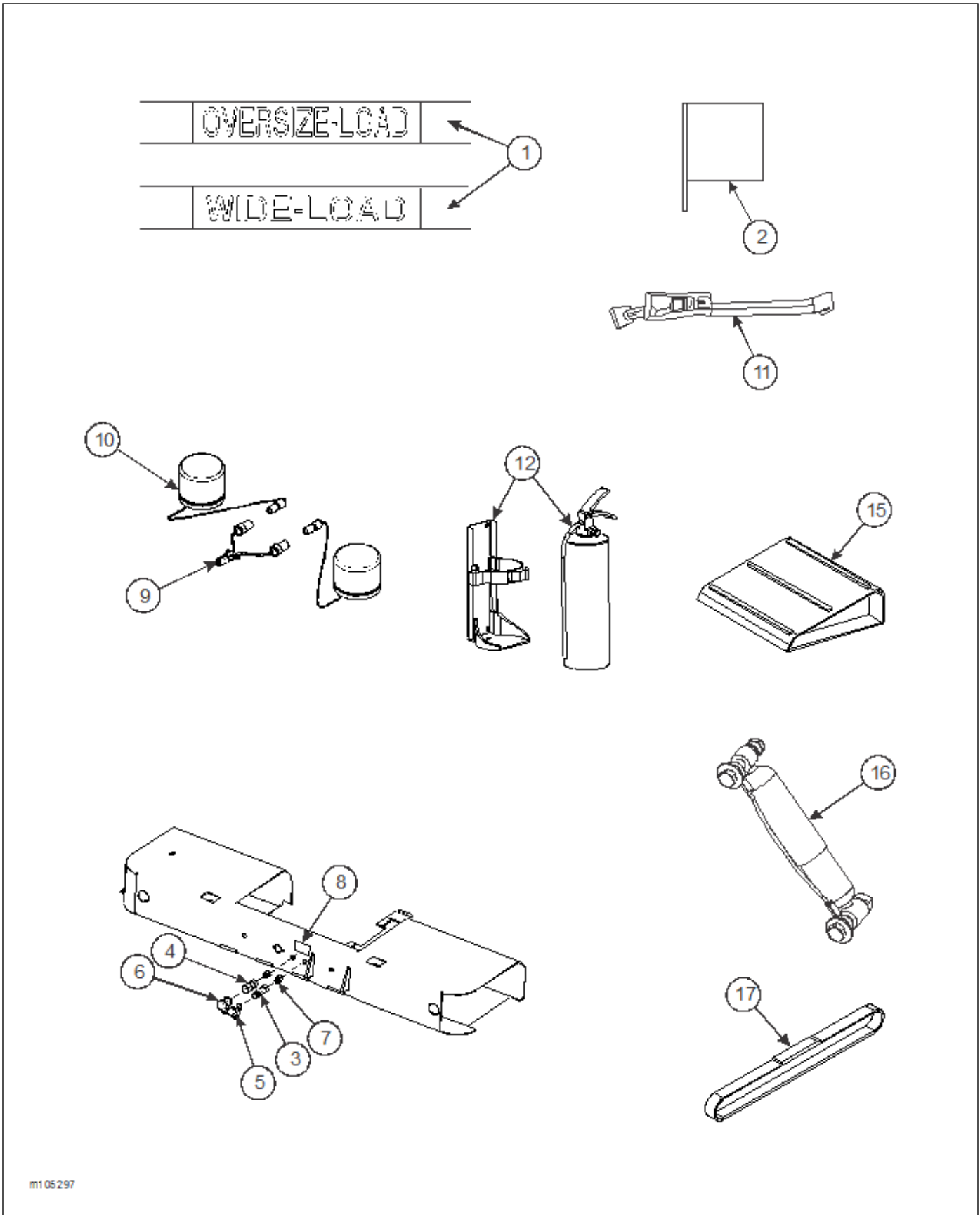


Figure 2-94: Miscellaneous Options

MISCELLANEOUS OPTIONS

ITEM	PART NO.	DESCRIPTION	QTY.
	105297	BANNER/FLAG KIT WIDE/OVS LS	
1	106655	BANNER WIDE/OVERSIZE LOAD	1
2	106654	FLAG, OVERWIDTH	6
	105902	HYDRAULIC CONVERSION KIT, BALL TO FLAT	
3	105479	COUPLER, FLAT FACE MALE NOSE	1
4	105480	COUPLER, FLAT FACE FEMALE NOSE	1
5	105481	COUPLER, DUST CAP MALE	1
6	105482	COUPLER, DUST CAP FEMALE	1
7	2216-12-12S	INTERNAL PIPE, O-RING BOSS	2
8	105822	DECAL, HYD COUPLER	1
	105296	LIGHT PACKAGE TWO MAG. STROBES	
9	105288	ELECTRICAL, DC-Y ADAPTER	1
10	106684	STROBE, LIGHT - MAGNETIC BASE	2
	127754	REPLACEMENT FLASH TUBE	1
11	100696	STRAP, RATCHET ASSEMBLY (NO PARTS BREAKDOWN)	2
12	172439	FIRE EXTINGUISHER, 5 LB ABC	1
	137108	HUBODOMETER INSTALLATION (NOT SHOWN)	
13	112529	BRACKET, HUBODOMETER	1
14	113109	HUBODOMETER, 572 RPM	1
15	172022	RAMP WELDMENT, CENTER FRONT	1
16	170115	STRAP, SHOCK UNIT RLU250-9-4	2
17	173651	NYLON SLING, SHOCK STRAP 250-9	2

ILLUSTRATED PARTS LIST

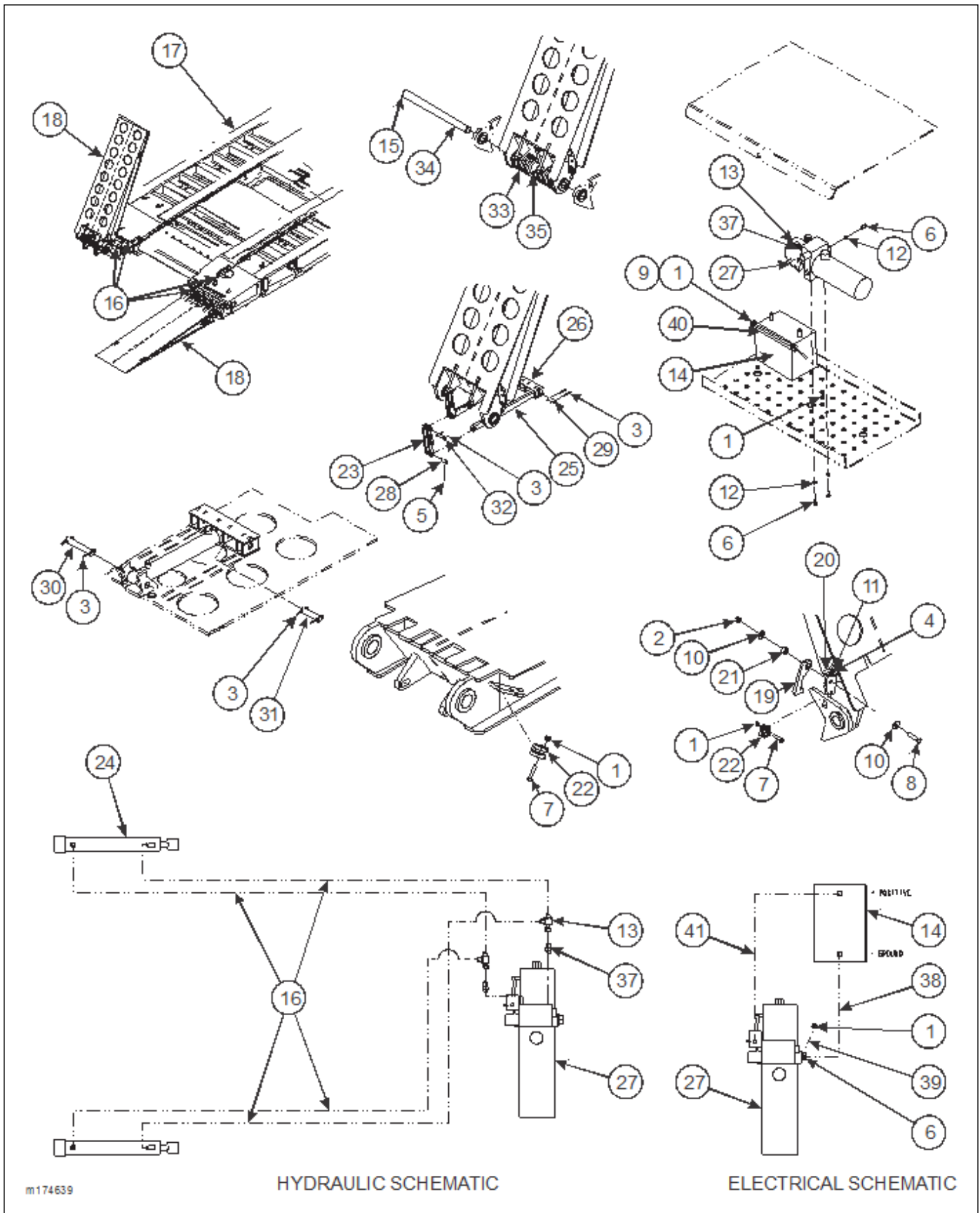
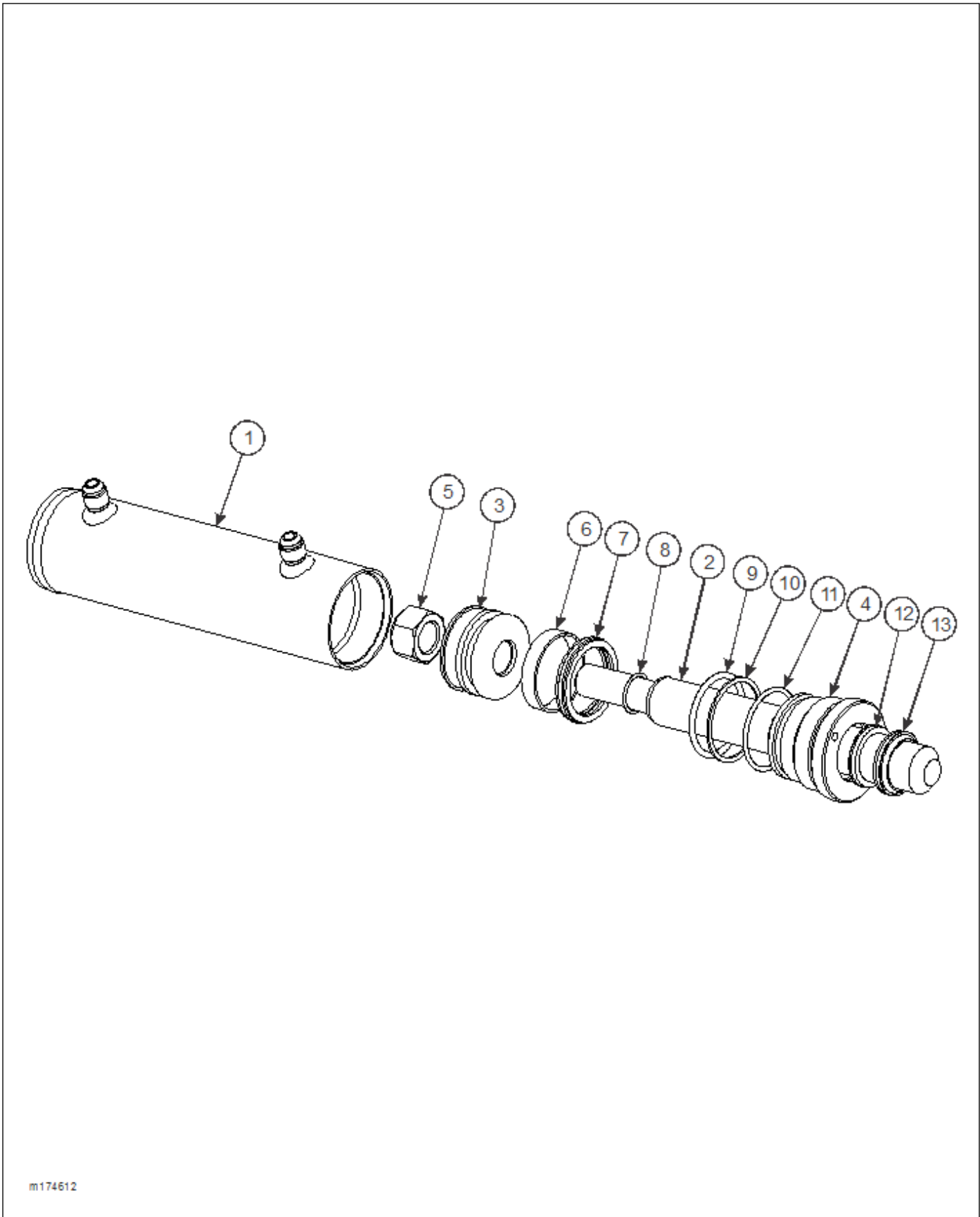


Figure 2-95: 6-1/2' Front Ramp Assembly (855 HD)

6-1/2' FRONT RAMP ASSEMBLY (855 HD)

ITEM	PART NO.	DESCRIPTION	QTY.
	174639	6-1/2' FRONT RAMP ASSEMBLY	
1	1-512-010005-05	NUT, HEX LOCK 3/8-16 GRB	7
2	1-512-010005-09	NUT, HEX LOCK 1/2-13 GRB	2
3	1-557-010362-51	PIN, COTTER 3/16 X 1-1/2	24
4	1-647-010004117	ROLL PIN, SLOTTED 1/8 X 1	2
5	1-647-010004217	ROLL PIN, SLOTTED 1/4 X 1-1/2	4
6	1-654-010051-03	SCREW, HEX HEAD CAP 3/8-16 X3/4 GR5	3
7	1-654-010051-08	SCREW, HEX HEAD CAP 3/8-16 X 1-3/4 GR5	4
8	1-654-010055-05	SCREW, HEX HEAD CAP 1/2-13 x 2 GR5	2
9	1-861-010032-11	WASHER, FLAT 3/8W	2
10	1-861-010032-15	WASHER, FLAT 1/2W	4
11	1-861-010032-16	WASHER, FLAT 9/16N	2
12	1-861-010034-11	WASHER, SPLIT LOCK 3/8	3
13	102-1158	ADAPTER, TEE	2
14	108196	BATTERY, 12 VOLT DEEP CYCLE	1
15	118650	ROLL PIN, SLOTTED 1/4 X 2-1/2	4
16	130642	HOSE ASSEMBLY 3/8 X 158	4
17	-----	FRAME WELDMENT	REF
18	173637	RAMP WELDMENT, 6 DEGREE	2
19	173650	LATCH, RAMP	2
20	173652	STOP, LATCH	2
21	173653	BUSHING, RAMP LATCH	2
22	173654	STOP RAMP WELDMENT	4
23	174611	PUSH BAR WELDMENT, FLIP	4
24	174612	CYLINDER, HYDRAULIC 1-1/2 X 8 (SEE PAGE 2-165)	2
25	174616	BASE PUSH BAR	4
26	174618	XBAR CONNECTOR WELDMENT	2
27	174628	HYDRAULIC UNIT	1
28	174632	PIN, PUSH BAR	4
29	174633	PIN, RAMP BAR	4
30	174634	PIN, RAMP CYL BASE	2
31	174635	PIN, RAMP CYL ROD	2
32	174636	PIN, RAMP/PUSH ROD	4
33	174638	SPRING, MODIFIED	4
34	174640	PIN, HINGE RAMP	2
35	174642	TUBE WELDMENT, SPRING SUPPORT	2
36	174648	HARNESS, HYDRAULIC UNIT CHARGE (NOT SHOWN)	1
37	202702-6-6S	ADAPTER, STRAIGHT	2
38	239-8113-18	CABLE, BATTERY NEGATIVE	1
39	239-8115-12	CABLE, BATTERY POSITIVE	1
40	3-120-010124	BATTERY CLAMP BRACKET	1
41	514-9045-30	CABLE, BATTERY POSITIVE	1



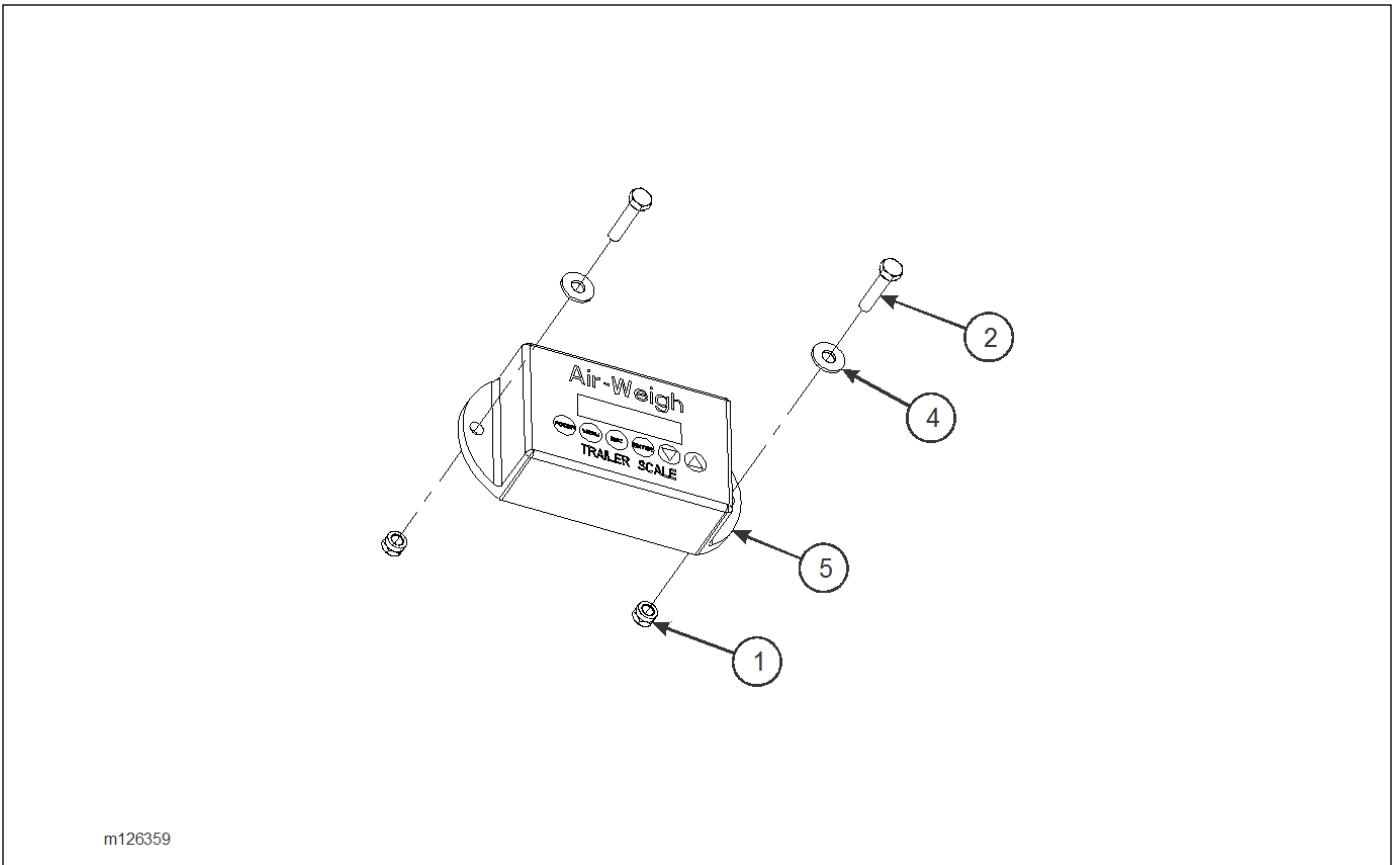
m174612

Figure 2-96: 1-1/2 x 8 Hydraulic Cylinder (855 HD)

1-1/2 X 8 HYDRAULIC CYLINDER

ITEM	PART NO.	DESCRIPTION	QTY.
	174612	CYLINDER, HYDRAULIC 1-1/2 X 8	2
1	-----	BUTT AND TUBE ASSEMBLY	1
2	175572	PISTON ROD ASSEMBLY	1
3	-----	PISTON	1
4	130064	GLAND	1
5	-----	LOCKNUT	1
6*	-----	BEARING RING	1
7*	-----	CROWN SEAL	1
8*	-----	O-RING	1
9*	-----	O-RING	1
10*	-----	BU-WASHER	1
11*	-----	O-RING	1
12*	-----	U-CUP	1
13*	-----	WIPER	1
	130068	PACKING KIT (INCLUDES 6 - 13)	

* INCLUDED W/ REPLACEMENT PACKING KIT ONLY



m126359

Figure 2-97: Air Weigh Scale Installation (Option)

AIR WEIGH SCALE INSTALLATION (OPTION)

ITEM	PART NO.	DESCRIPTION	QTY.
	126359	SCALE INSTALLATION, AIR WEIGH	
1	1-512-010005-01	NUT, HEX LOCK 1/4-20	2
2	1-654-010047-07	SCREW, HEX HEAD CAP 1/4-20 X 1-1/4 GR5	2
3	1-796-010003-01	TIE STRAP, PLASTIC (NOT SHOWN)	2
4	1-861-010032-07	WASHER, FLAT 1/4W	2
5	128436	SCALE, AIR DIGITAL	1
6	3-395-010001	HOSE, CF FIRE (NOT SHOWN)	AR

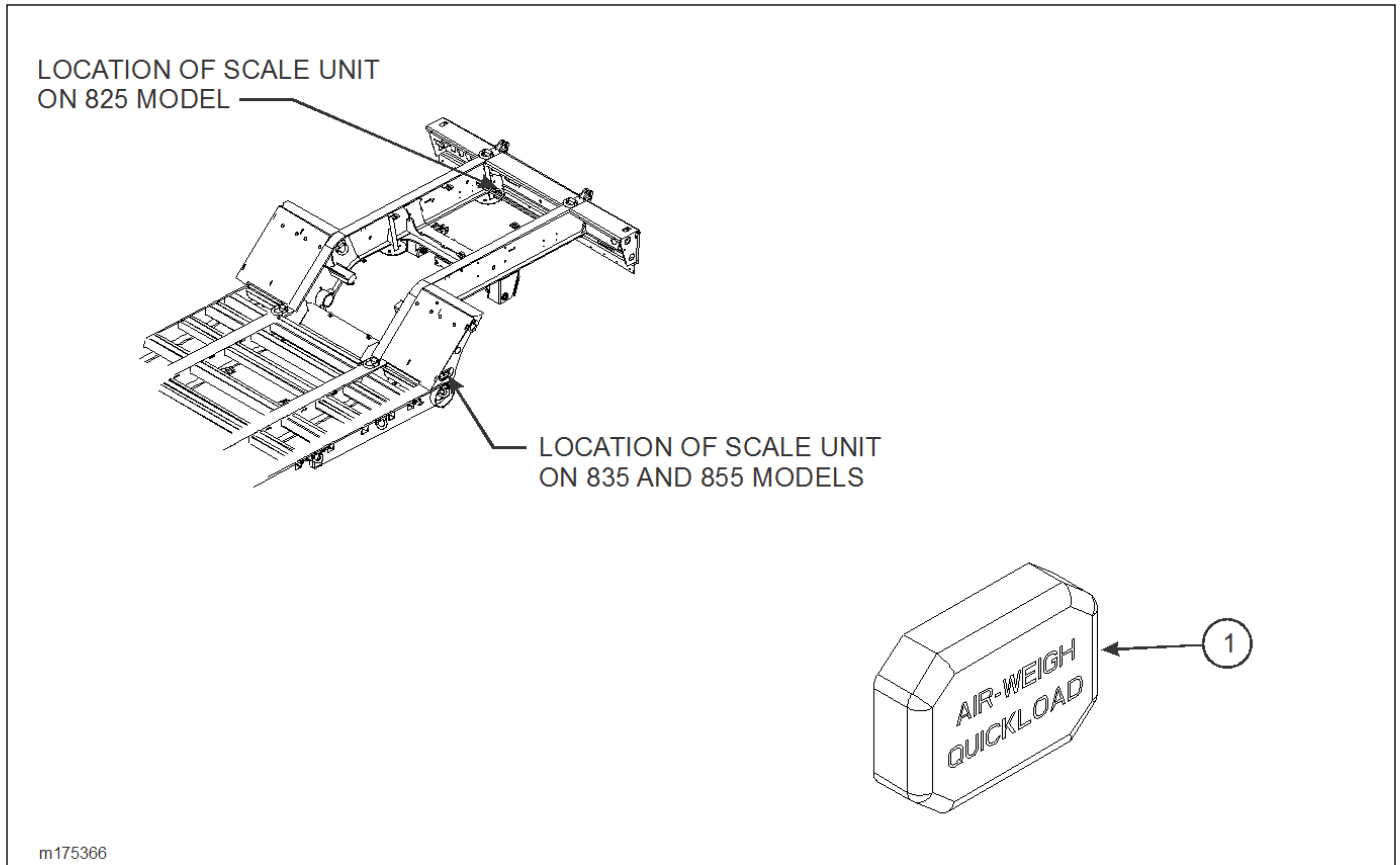


Figure 2-98: Air Weigh Scale Installation (After 03/01/2013) (Option)

AIR WEIGH SCALE INSTALLATION (AFTER 03/01/2013) (OPTION)

ITEM	PART NO.	DESCRIPTION	QTY.
	175366	SCALE INSTALLATION, QUICKLOAD (RIGID)	
1	175357	SCALE KIT, AIR QUICKLOAD	1
2	175361	CABLE, TRAILER POWER ABS T-BREAKOUT 15'	1
3	175362	TRAILER SCALE, QUICKLOAD	1
4	166924	DECAL, AW5800 TRAILER SIDE - M	1
5	175363	SPRING HOSE CLAMP 1/4OD	2
6	175365	AIR LIN 1/4OD	10'
7	3-395-010001	HOSE, CF FIRE (NOT SHOWN)	AR

ILLUSTRATED PARTS LIST

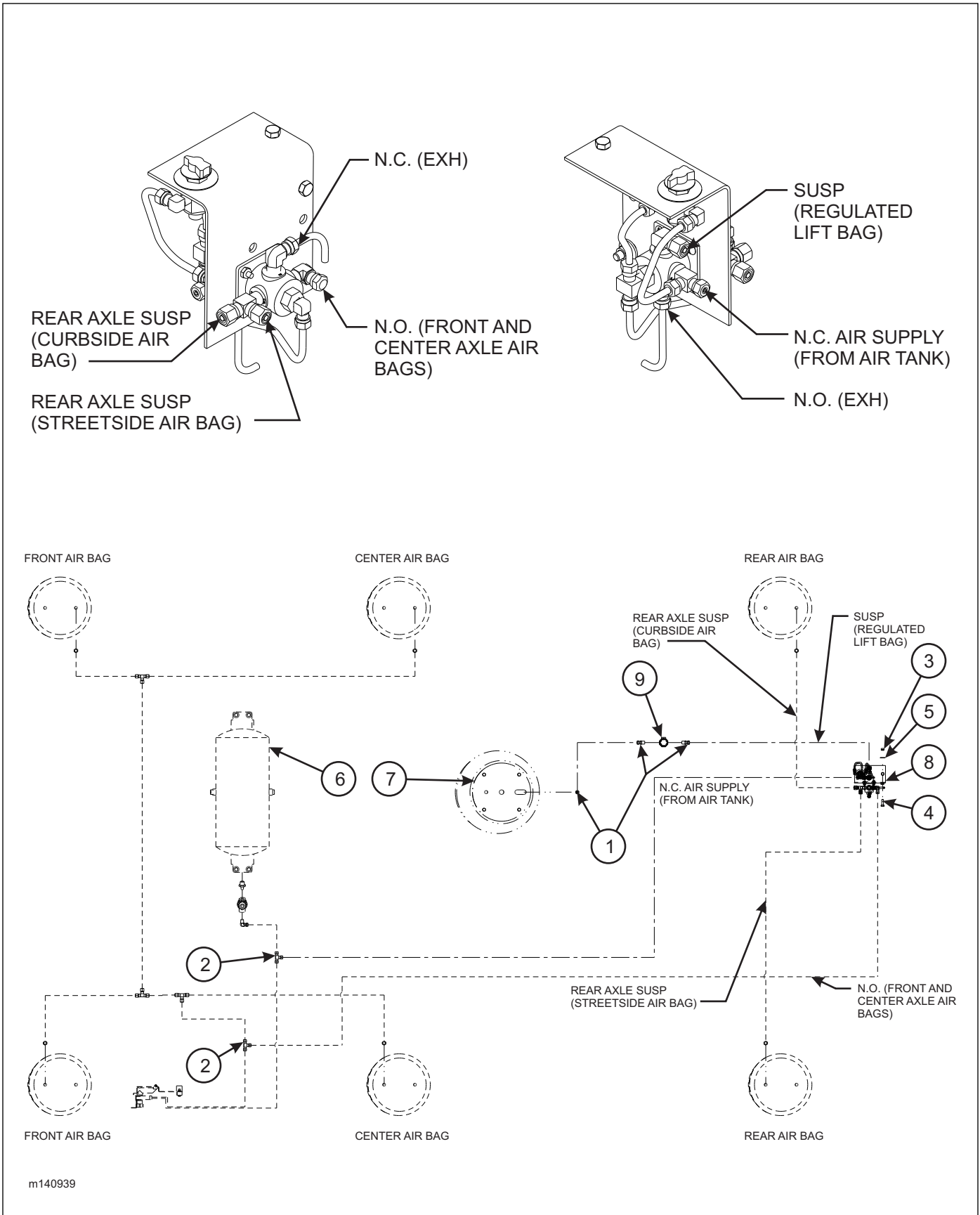


Figure 2-99: Axle Lift Control (Option)

AXLE LIFT CONTROL ASSEMBLY (855C)

ITEM	PART NO.	DESCRIPTION	QTY.
	140939	AXLE LIFT CONTROL ASSEMBLY	
1	1-297-010007-05	FITTING, AIR	3
2	1-297-010010-01	FITTING, AIR TEE	2
3	1-512-010005-03	NUT, HEX LOCK 5/16-18 GRB	3
4	1-654-010049-05	SCREW, HEX HEAD CAP 5/16-18 X 1 GR5	3
5	1-861-010032-09	WASHER, FLAT 5/16W	3
6	112193	AIR RIDE PLUMBING INSTALLATION	REF
7	112953	AIR CONTROL KIT FOR LIFT AXLE	REF
8	140369	CONTROL ASSEMBLY, LIFT AXLE (FLIP) (SEE PAGE 2-171)	1
9	164902	VALVE REGULATOR ASSEMBLY	1

LIFT AXLE (FLIP) CONTROL ASSEMBLY (OPTION)

ITEM	PART NO.	DESCRIPTION	QTY.
	140369	CONTROL ASSEMBLY, LIFT AXLE (FLIP)	
1	112324	PLATE, MOUNTING AIR LIFT KIT	1
2	1-297-010007-05	FITTING, AIR	1
3	1-297-010008-05	FITTING, AIR 90	3
4	1-297-010008-07	FITTING, AIR 90	2
5	1-297-010008-18	FITTING, AIR 90	1
6	1-297-010011-02	FITTING, AIR M/RUN TEE	1
7	1-297-010011-04	FITTING, AIR M/RUN TEE	1
8	1-297-010015-02	FITTING, AIR BR TEE	1
9	1-512-010003-06	NUT, HEX LOCK #10-24	4
10	1-656-010003051	SCREW, RD HEAD MACH #10-24 X 3/4	4
11	1-833-010001	TUBING, NYLON 1/4OD	AR
12	-----	DECAL, AXLE LIFT OPERATING INSTRUCTIONS	REF
13	900-54-079	PILOT VALVE	2
14	900-54-088	VALVE, AIR RIDE CONTROL	REF

ILLUSTRATED PARTS LIST

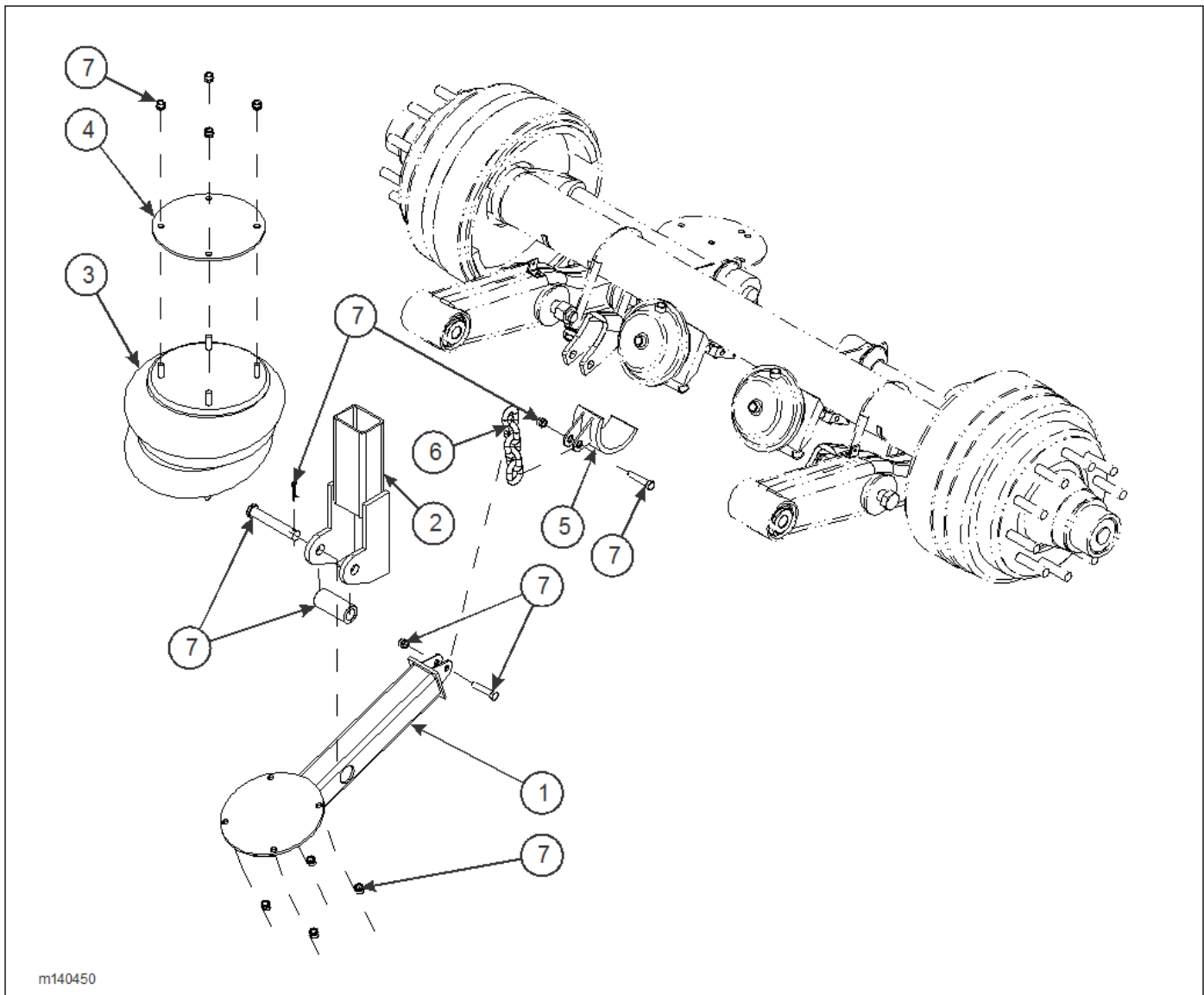


Figure 2-101: Rear Suspension Air Lift Assembly (Option)

REAR SUSPENSION AIR LIFT ASSEMBLY (OPTION)

ITEM	PART NO.	DESCRIPTION	QTY.
	140450	REAR SUSPENSION AIR LIFT ASSEMBLY	
1	161825	BEAM LIFT BRACKET	1
2	161830	BRACKET LIFT ASSEMBLY	1
3	164087	AIR SPRING	1
4	161827	PLATE, AIR SPRING MOUNTING	1
5	161833	AXLE BRACKET	1
6	164090	CHAIN	1
7	164091	FASTENER KIT	1
8	164092	VALVE REGULATOR ASSEMBLY (NOT SHOWN) (SEE PAGE 2-169)	1
9	164093	CENTER BAG LIFT - LITERATURE KIT (NOT SHOWN)	1

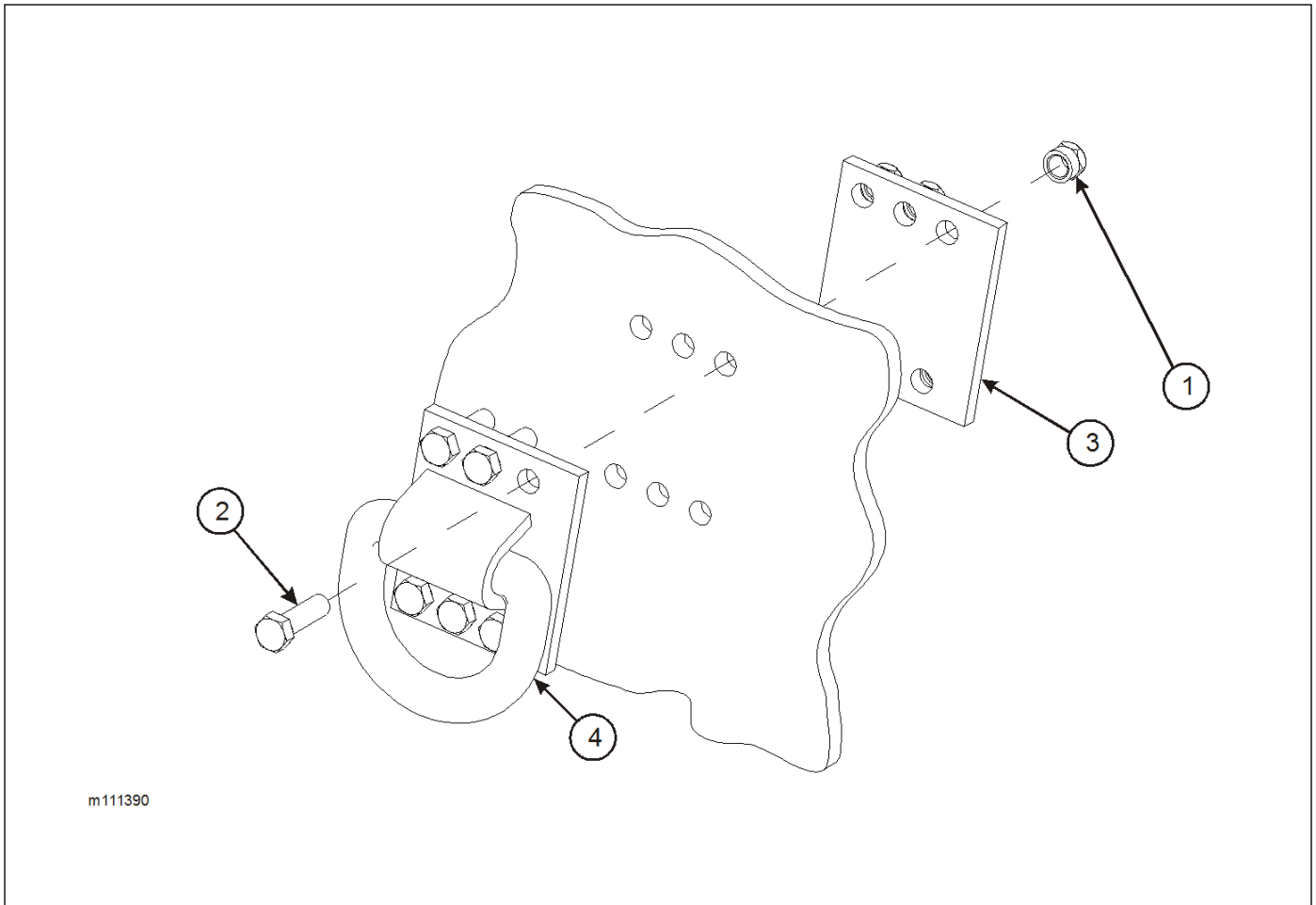


Figure 2-102: Bolt-On D-Ring Assembly (Option)

BOLT-ON D-RING ASSEMBLY (OPTION)

ITEM	PART NO.	DESCRIPTION	QTY.
	111390	D-RING ASSEMBLY, BOLT-ON	
1	1-512-010005-09	NUT, HEX LOCK 1/2-13 GRB	6
2	1-654-010055-04	SCREW, HEX HEAD CAP 1/2-13 X1-3/4 GR5	6
3	111382	MOUNT, TIE DOWN	1
4	3-793-010040	TIE DOWN, WINCH	1

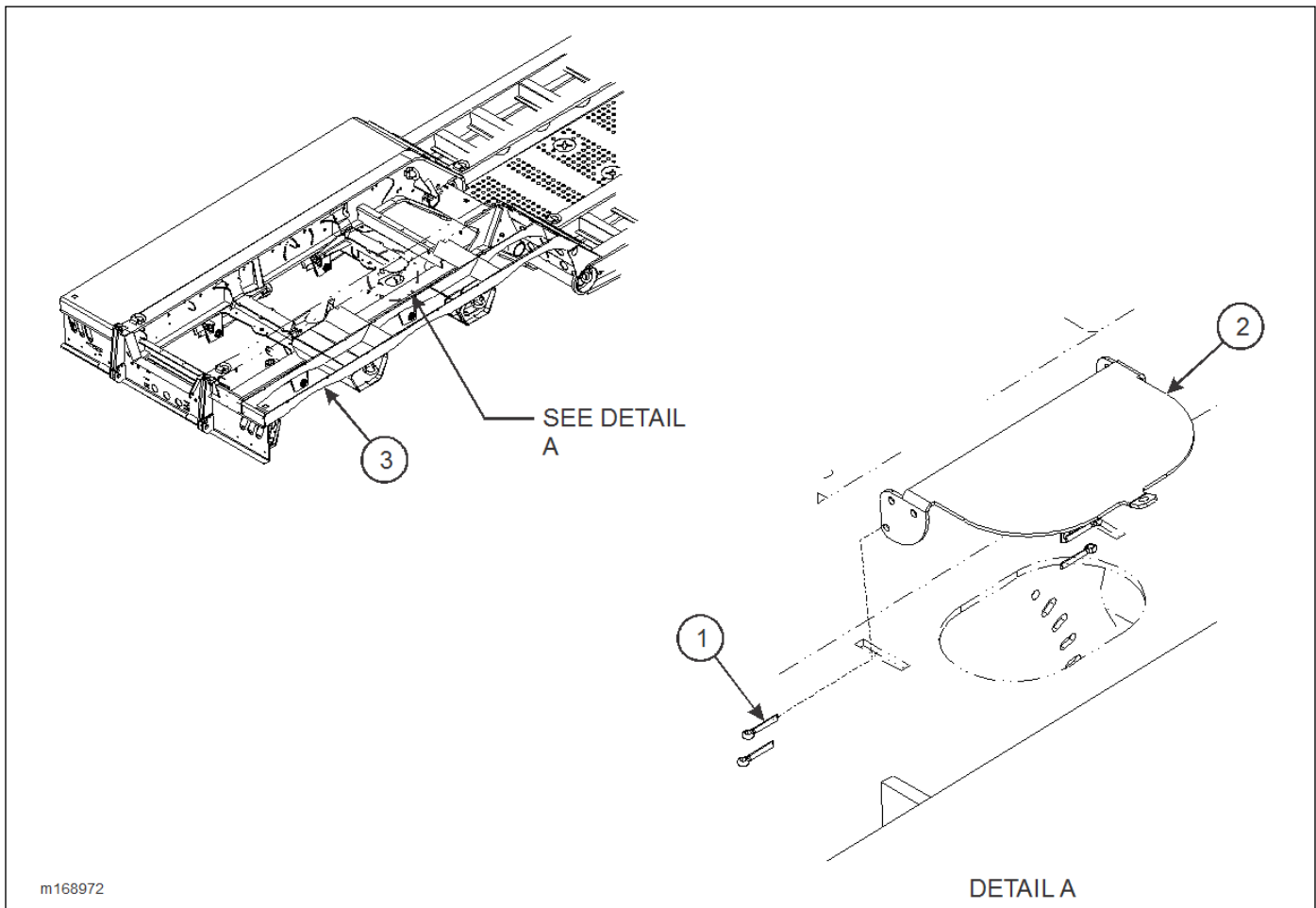


Figure 2-103: Cover Installation, Trunnion (Option)

COVER INSTALLATION, TRUNNION (OPTION)

ITEM	PART NO.	DESCRIPTION	QTY.
	168972	COVER INSTALLATION, TRUNNION	
	165163	COVER INSTALLATION, NON-LOAD-BEARING	
1	1-557-010362-49	PIN, COTTER 3/16 X 1	4
2	163589	LID COVER OPENING	1
3	----	FRAME WELDMENT	REF

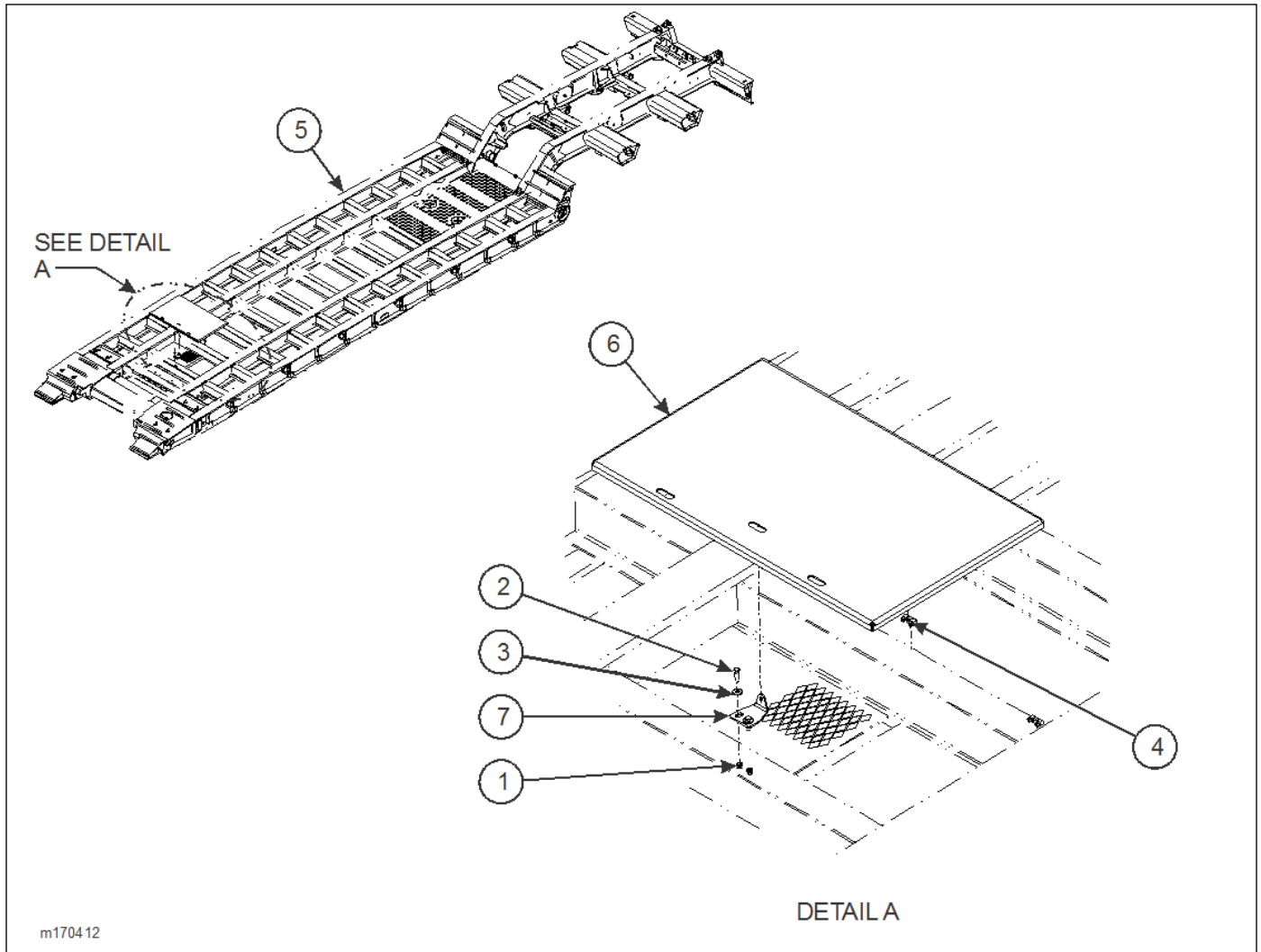
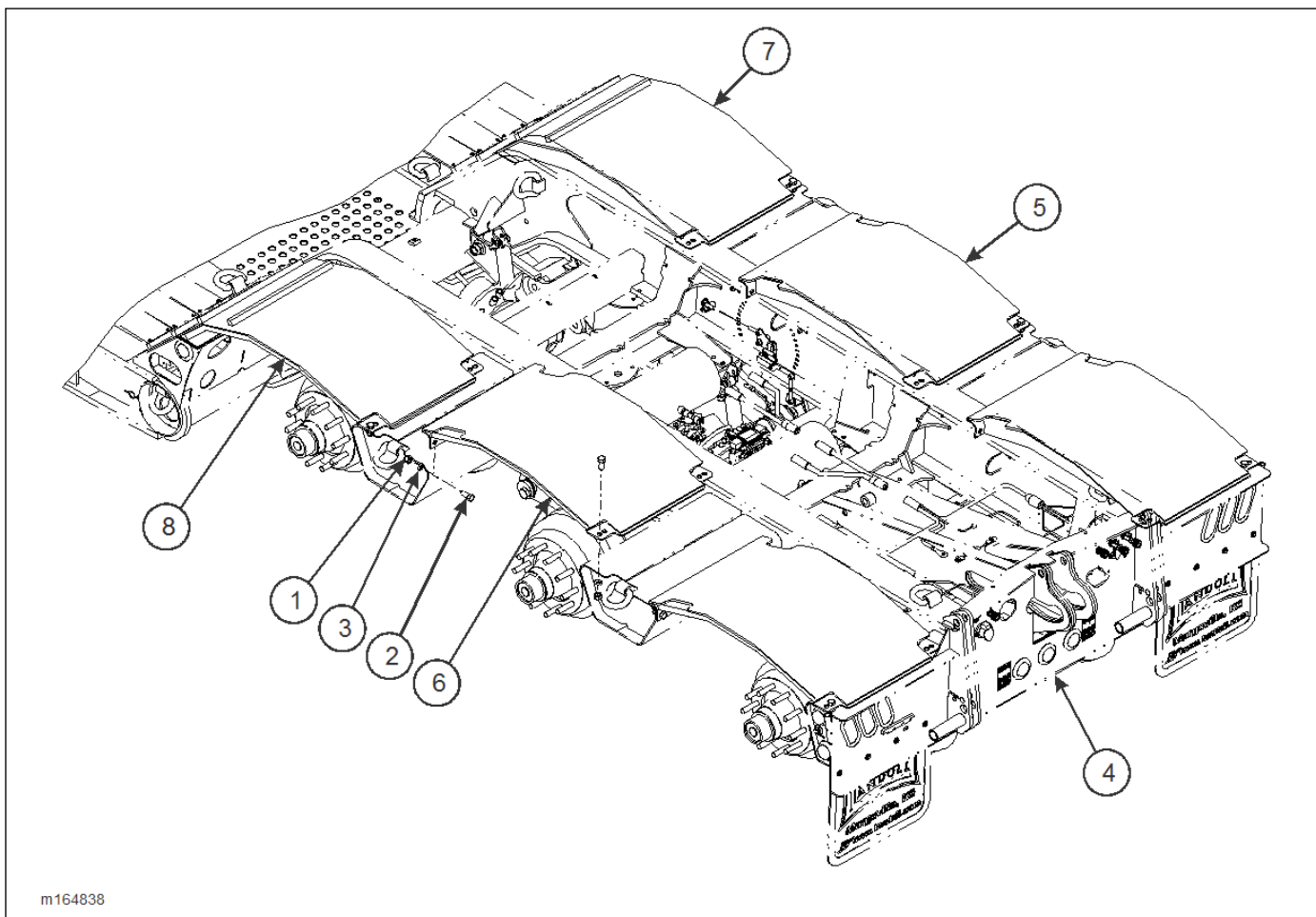


Figure 2-104: Lid Assembly, Storage Area Center (Option)

LID ASSEMBLY, STORAGE AREA CENTER (OPTION)

ITEM	PART NO.	DESCRIPTION	QTY.
	170412	LID ASSEMBLY, STORAGE AREA CENTER	
1	1-512-010005-05	NUT, HEX LOCK 3/8-16 GRB	1
2	1-654-010051-06	SCREW, HEX HEAD CAP 3/8-16 X 1-1/4 GR5	5
3	1-861-010032-11	WASHER, FLAT 3/8W	5
4	12412408	HINGE, TOOL BOX DOOR	3
5	----	FRAME WELDMENT	REF
6	170411	LID, STORAGE AREA CENTER	1
7	3-120-010498	BRACKET, LID LOCK	1

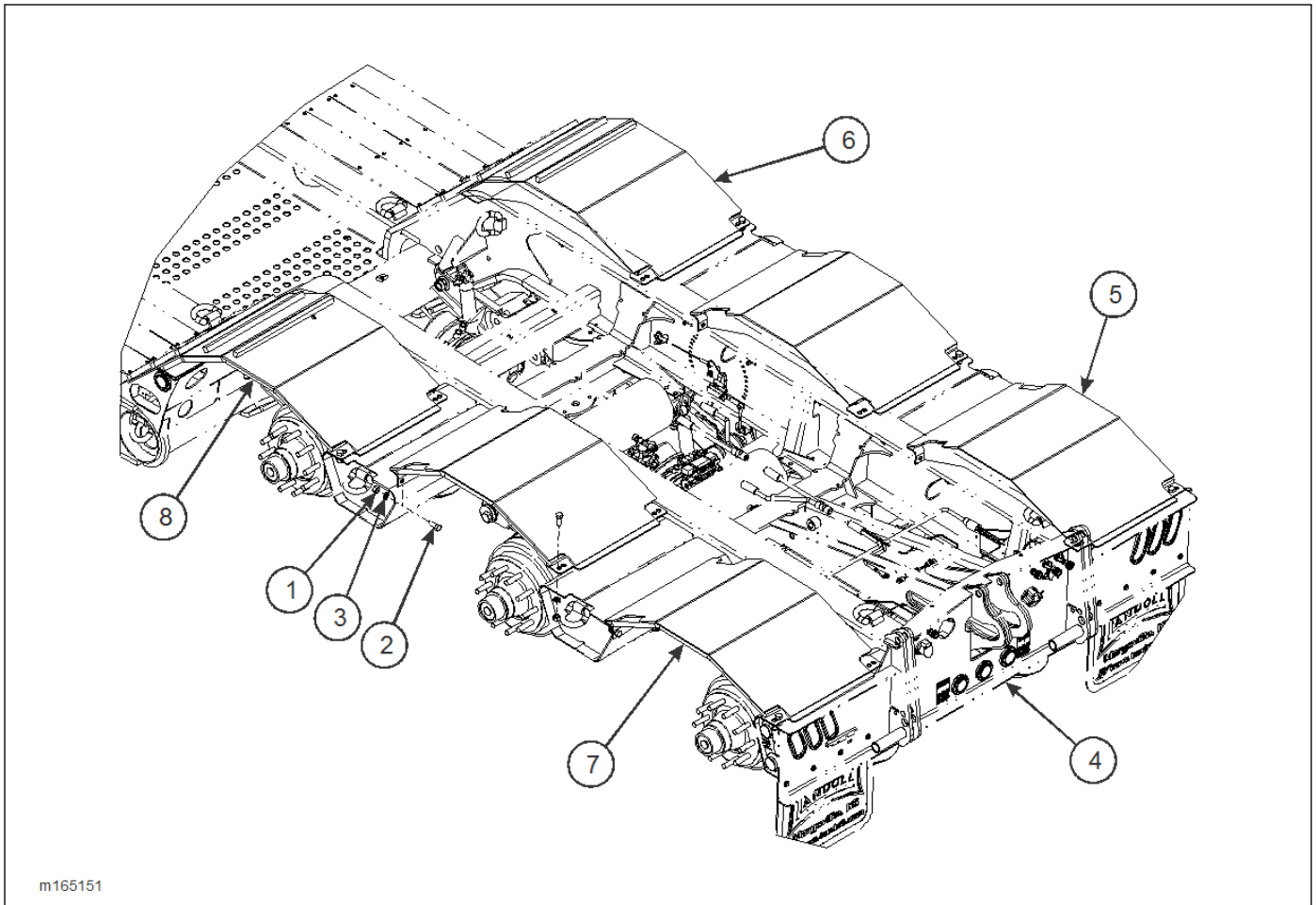


m164838

Figure 2-105: Wheel Cover Assembly (Option)

WHEEL COVER ASSEMBLY (OPTION)

ITEM	PART NO.	DESCRIPTION	QTY.
	164838	WHEEL COVER ASSEMBLY (USED W/ 255 TIRES)	
1	1-512-010005-15	NUT, HEX 3/4-10 GRB	14
2	1-654-010061-04	SCREW, HEX HEAD CAP 3/4-10 X 1-3/4 GR5	14
3	1-861-010032-20	3/4N FLAT WASHER	28
4	-----	FRAME ASSEMBLY	REF
5	164828	WHEEL COVER WELDMENT RH	2
6	164829	WHEEL COVER WELDMENT LH	2
7	164830	WHEEL COVER FRONT RH	1
8	164831	WHEEL COVER FRONT LH	1



m165151

Figure 2-106: Wheel Cover Assembly (Option)

WHEEL COVER ASSEMBLY (OPTION)

ITEM	PART NO.	DESCRIPTION	QTY.
	165151	WHEEL COVER ASSEMBLY (USED W/ 275 TIRES)	
1	1-512-010005-15	NUT, HEX 3/4-10 GRB	14
2	1-654-010061-04	SCREW, HEX HEAD CAP 3/4-10 X 1-3/4 GR5	14
3	1-861-010032-20	3/4N FLAT WASHER	28
4	-----	FRAME ASSEMBLY	REF
5	165152	WHEEL COVER WELDMENT RH	2
6	165156	WHEEL COVER FRONT RH	1
7	165160	WHEEL COVER WELDMENT LH	2
8	165161	WHEEL COVER FRONT LH	1

ILLUSTRATED PARTS LIST

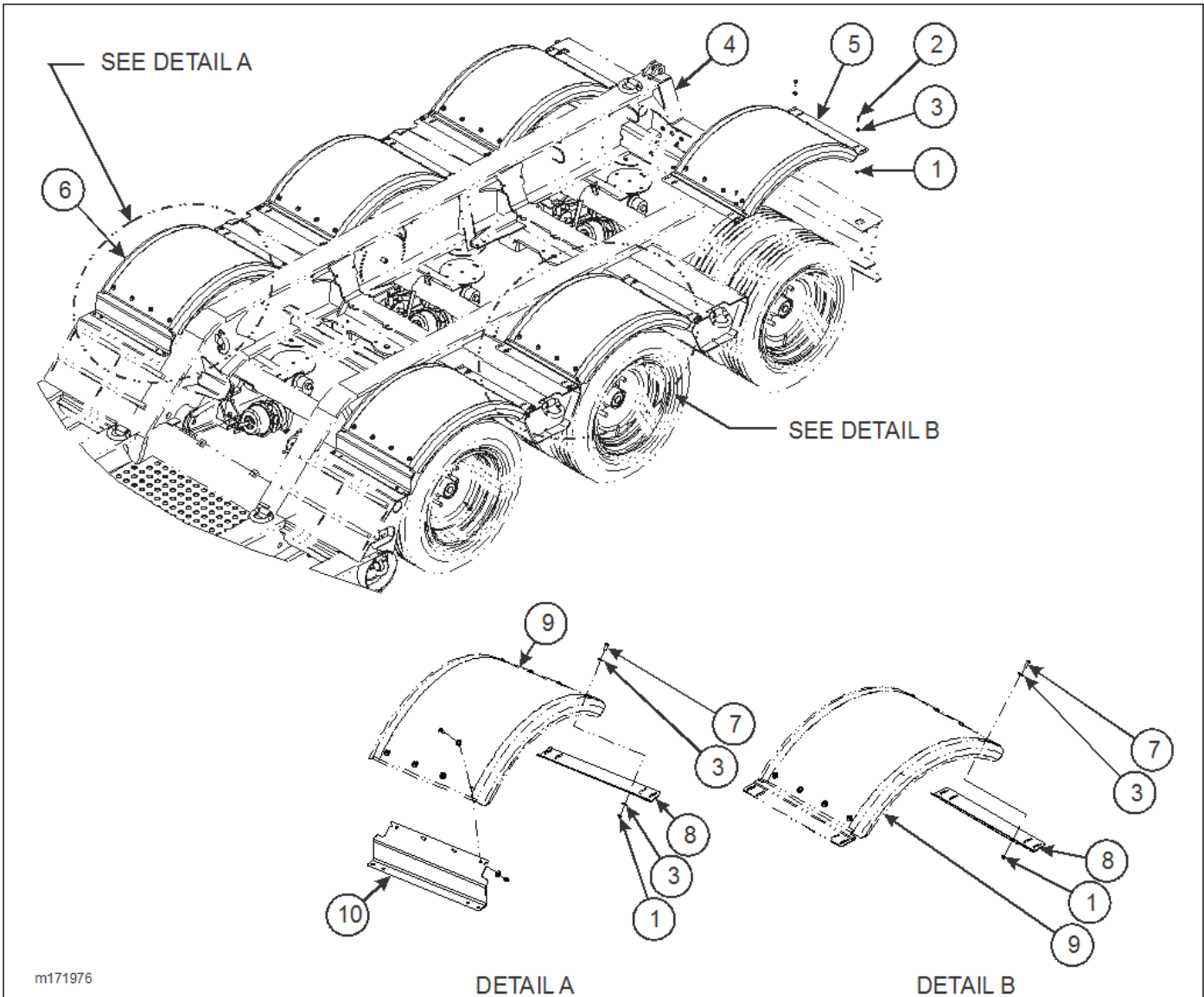


Figure 2-107: Black Poly Fender Installation, 3 Axle (Option)

BLACK POLY FENDER INSTALLATION, 3 AXLE (OPTION)

ITEM	PART NO.	DESCRIPTION	QTY.
	171976	BLACK POLY FENDER INSTALLATION, 3 AXLE	
1	1-512-010005-05	NUT, HEX LOCK 3/8-16 GRB	
2	1-654-010051-05	SCREW, HEX HEAD CAP 3/8-16 X 1 GR5	
3	1-861-010032-11	WASHER, FLAT 3/8W	
4	----	FRAME ASSEMBLY	
5	174020	FENDER SUB-ASSEMBLY, BLACK POLY (INCL. ITEMS 1,3, 7-9)	
6	174021	FENDER SUB-ASSEMBLY, FRONT BLACK POLY (INCL. ITEMS 1, 3, 7-10)	
7	108336	SCREW, BUTTON HEAD CAP 3/8-16 X 1	
8	171984	BRACKET MOUNTING, FENDER	
9	174019	FENDER, MODIFIED BLACK POLY DUAL	
10	174022	BRACKET MOUNTING, FRONT FENDER	

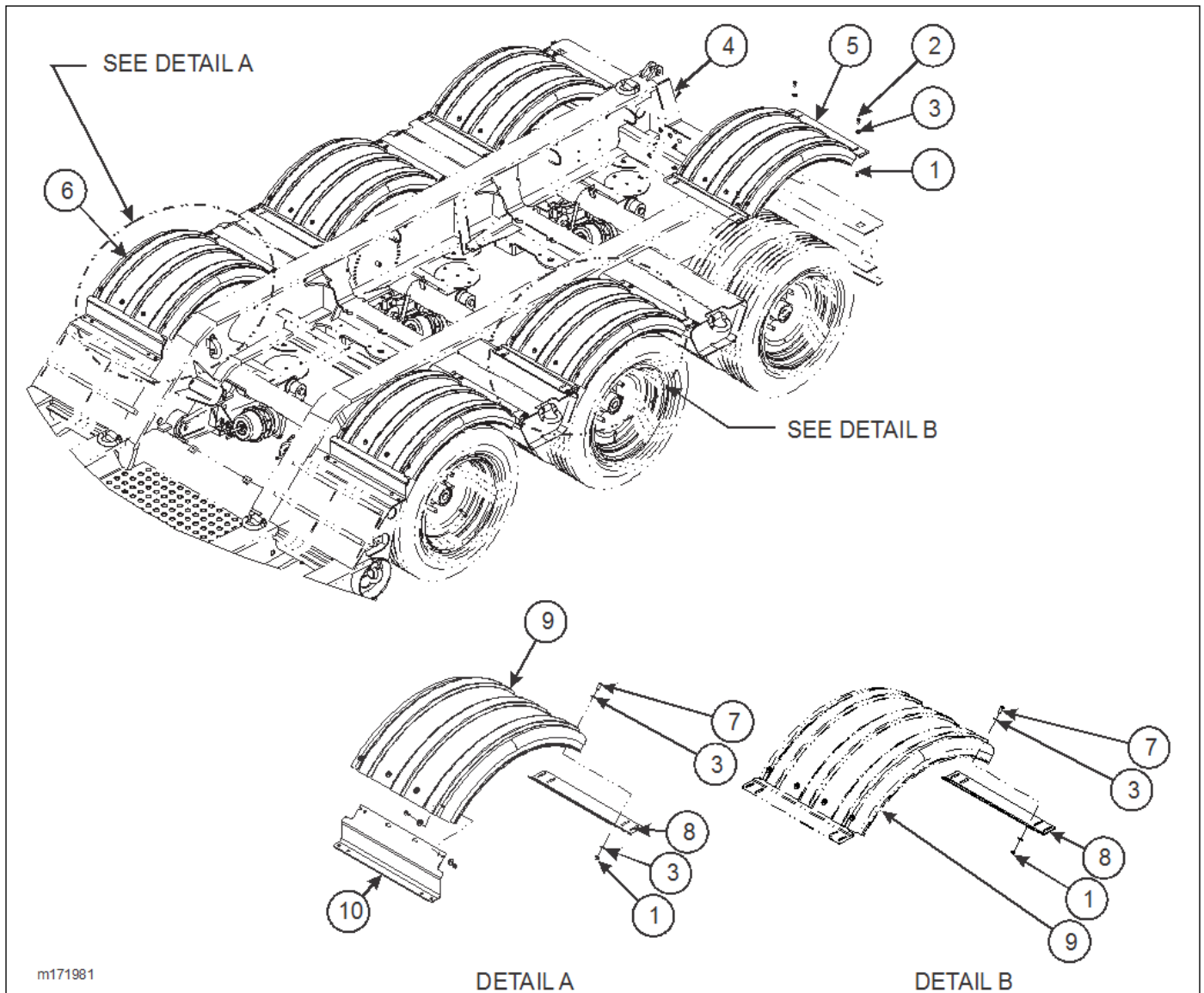


Figure 2-108: Chrome Poly Fender Installation, 3 Axle (Option)

CHROME POLY FENDER INSTALLATION, 3 AXLE (OPTION)

ITEM	PART NO.	DESCRIPTION	QTY.
	171981	BLACK POLY FENDER INSTALLATION, 3 AXLE	
1	1-512-010005-05	NUT, HEX LOCK 3/8-16 GRB	
2	1-654-010051-05	SCREW, HEX HEAD CAP 3/8-16 X 1 GR5	
3	1-861-010032-11	WASHER, FLAT 3/8W	
4	-----	FRAME ASSEMBLY	
5	174023	FENDER SUB-ASSEMBLY, CHROME POLY (INCL. ITEMS 1, 3, 7-9)	
6	174024	FENDER SUB-ASSEMBLY, FRONT CHROME POLY (INCL. ITEMS 1, 3, 7-10)	
7	108336	SCREW, BUTTON HEAD CAP 3/8-16 X 1	
8	171984	BRACKET MOUNTING, FENDER	
9	171983	FENDER, MODIFIED CHROME POLY	
10	174022	BRACKET MOUNTING, FRONT FENDER	

ILLUSTRATED PARTS LIST

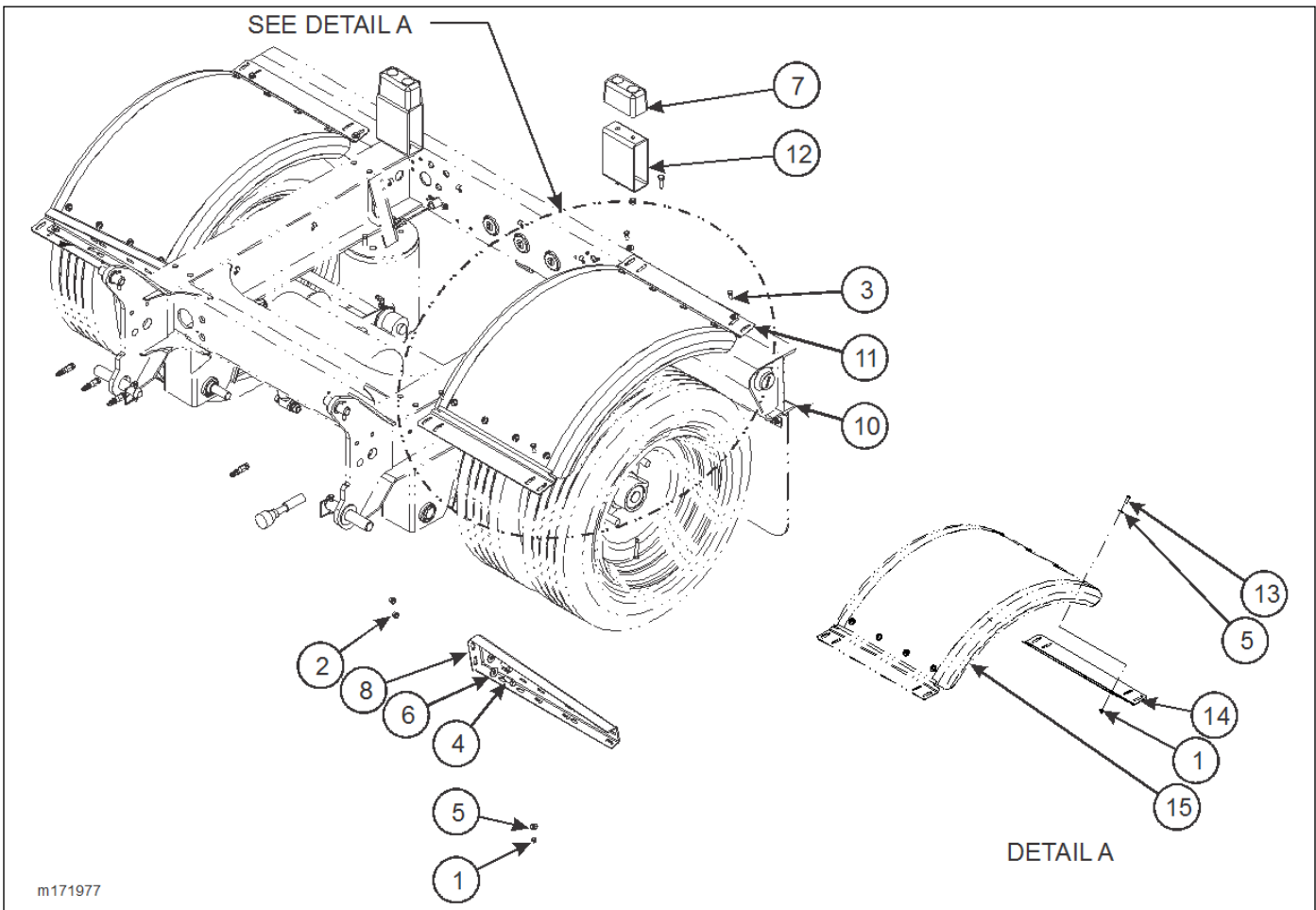


Figure 2-109: Black Poly Fender Installation, Flip Axle (Option)

BLACK POLY FENDER INSTALLATION, FLIP AXLE (OPTION)

ITEM	PART NO.	DESCRIPTION	QTY.
	171977	BLACK POLY FENDER INSTALLATION, FLIP AXLE	
1	1-512-010005-05	NUT, HEX LOCK 3/8-16 GRB	
2	1-512-010005-09	NUT, HEX LOCK 1/2-13 GRB	
3	1-654-010051-05	SCREW, HEX HEAD CAP 3/8-16 X 1 GR5	
4	1-654-010055-03	SCREW, HEX HEAD CAP 1/2-13 X 1-1/2 GR5	
5	1-861-010032-11	WASHER, FLAT 3/8W	
6	1-861-010032-15	WASHER, FLAT 1/2W	
7	128874	BUMPER, RUBBER 6 X 3 X 3-1/2	
8	143670	MOUNT, FENDER/ MUD FLAP RH	
9	143671	MOUNT, FENDER/ MUD FLAP LH	
10	-----	FLIP ASSEMBLY	
11	174020	FENDER SUB-ASSEMBLY, BLACK POLY (INCL. ITEMS 1, 3, 13-16)	
12	174027	SUPPORT WELDMENT, FLIP AXLE	
13	108336	SCREW, BUTTON HEAD CAP 3/8-16 X 1	
14	171984	BRACKET MOUNTING, FENDER	
15	174019	FENDER, MODIFIED BLACK POLY DUAL	
16	174022	BRACKET MOUNTING, FRONT FENDER	

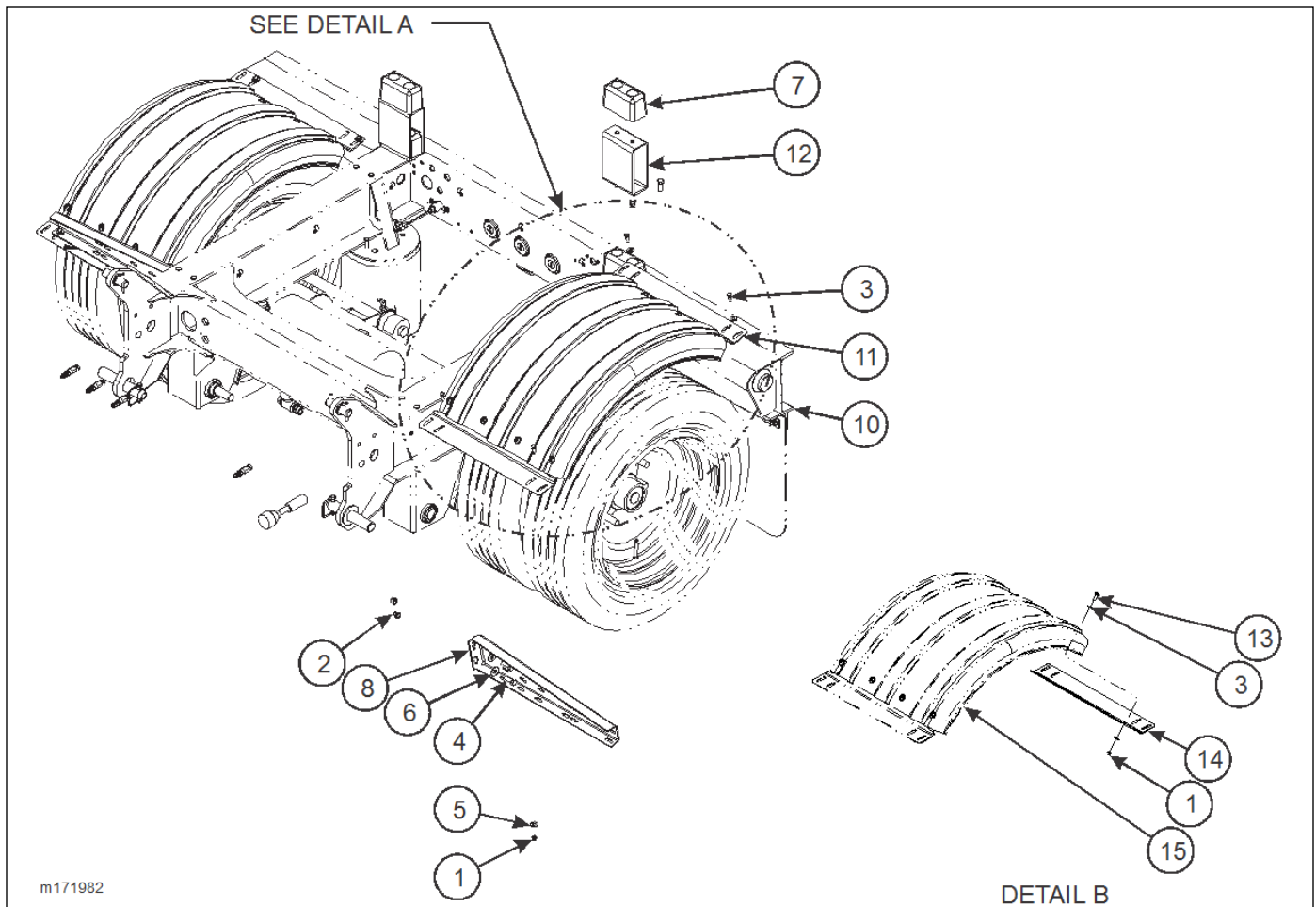


Figure 2-110: Chrome Poly Fender Installation, Flip Axle (Option)

CHROME POLY FENDER INSTALLATION, FLIP AXLE (OPTION)

ITEM	PART NO.	DESCRIPTION	QTY.
	171982	CHROME POLY FENDER INSTALLATION, FLIP AXLE	
1	1-512-010005-05	NUT, HEX LOCK 3/8-16 GRB	
2	1-512-010005-09	NUT, HEX LOCK 1/2-13 GRB	
3	1-654-010051-05	SCREW, HEX HEAD CAP 3/8-16 X 1 GR5	
4	1-654-010055-03	SCREW, HEX HEAD CAP 1/2-13 X 1-1/2 GR5	
5	1-861-010032-11	WASHER, FLAT 3/8W	
6	1-861-010032-15	WASHER, FLAT 1/2W	
7	128874	BUMPER, RUBBER 6 X 3 X 3-1/2	
8	143670	MOUNT, FENDER/ MUD FLAP RH	
9	143671	MOUNT, FENDER/ MUD FLAP LH	
10	-----	FLIP ASSEMBLY	
11	174023	FENDER SUB-ASSEMBLY, CHROME POLY (INCL. ITEMS 1,5, 13-15)	
12	174027	SUPPORT WELDMENT, FLIP AXLE	
13	108336	SCREW, BUTTON HEAD CAP 3/8-16 X 1	
14	171984	BRACKET MOUNTING, FENDER	
15	171983	FENDER, MODIFIED CHROME POLY	

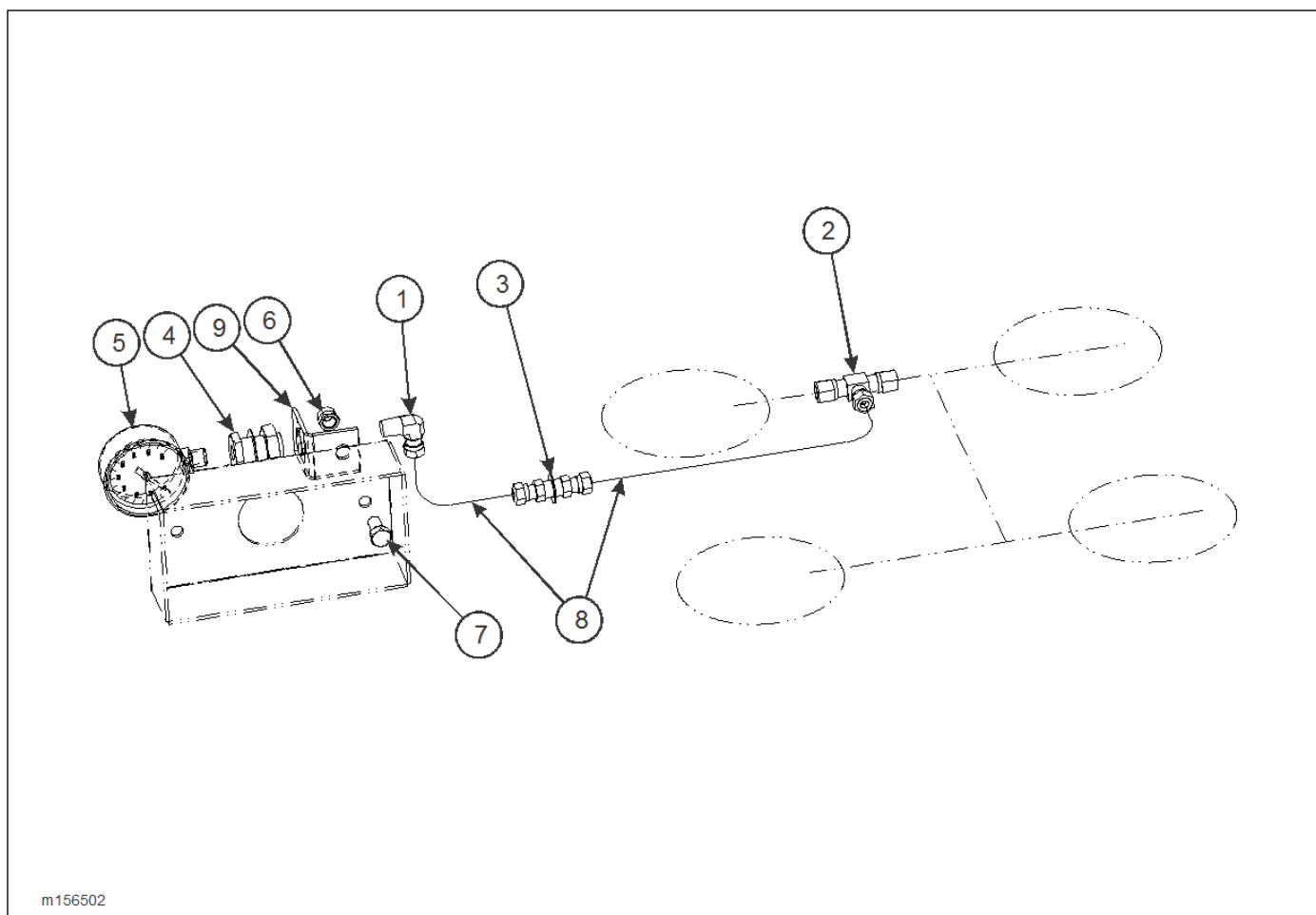
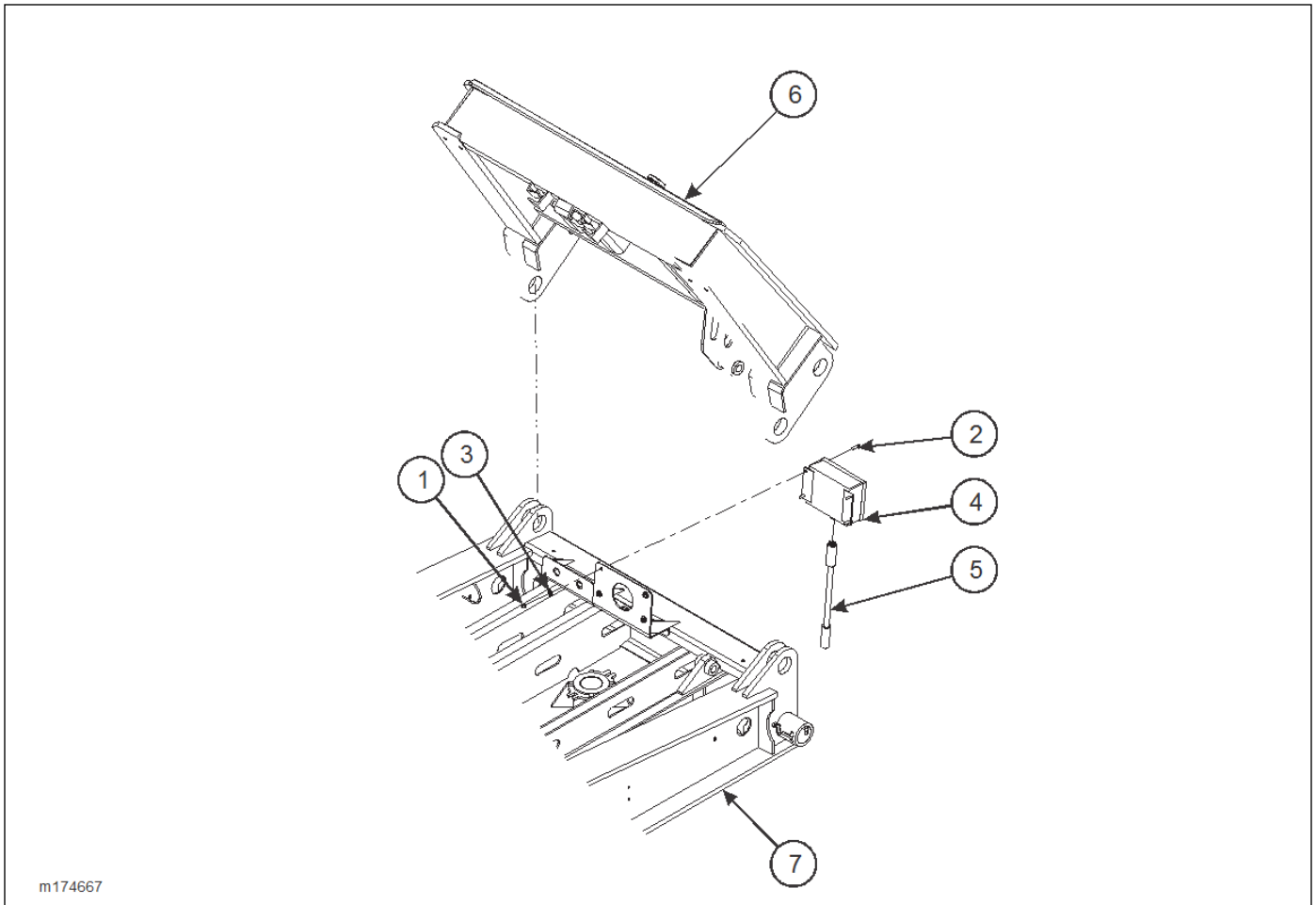


Figure 2-111: Pressure Gauge Installation (Option)

PRESSURE GAUGE INSTALLATION (OPTION)

ITEM	PART NO.	DESCRIPTION	QTY.
	128601	PRESSURE GAUGE INSTALLATION	
1	1-297-010008-07	FITTING, AIR 90	2
2	1-297-010010-04	FITTING, AIR UNION TEE	1
3	1-297-010014-02	FITTING, AIR	1
4	1-297-010022-02	FITTING, AIR ANCHOR COUPLING	1
5	1-323-010008	GAUGE, PRESSURE 0 - 160 PSI	1
6	1-512-010005-05	NUT, HEX LOCK 3/8-16 GRB	1
7	1-654-010051-03	SCREW, HEX HEAD CAP 3/8-16 X3/4 GR5	1
8	1-833-010001	TUBING, NYLON 1/4	AR
9	3-120-010445	BRACKET, PRESSURE REGULATOR	1

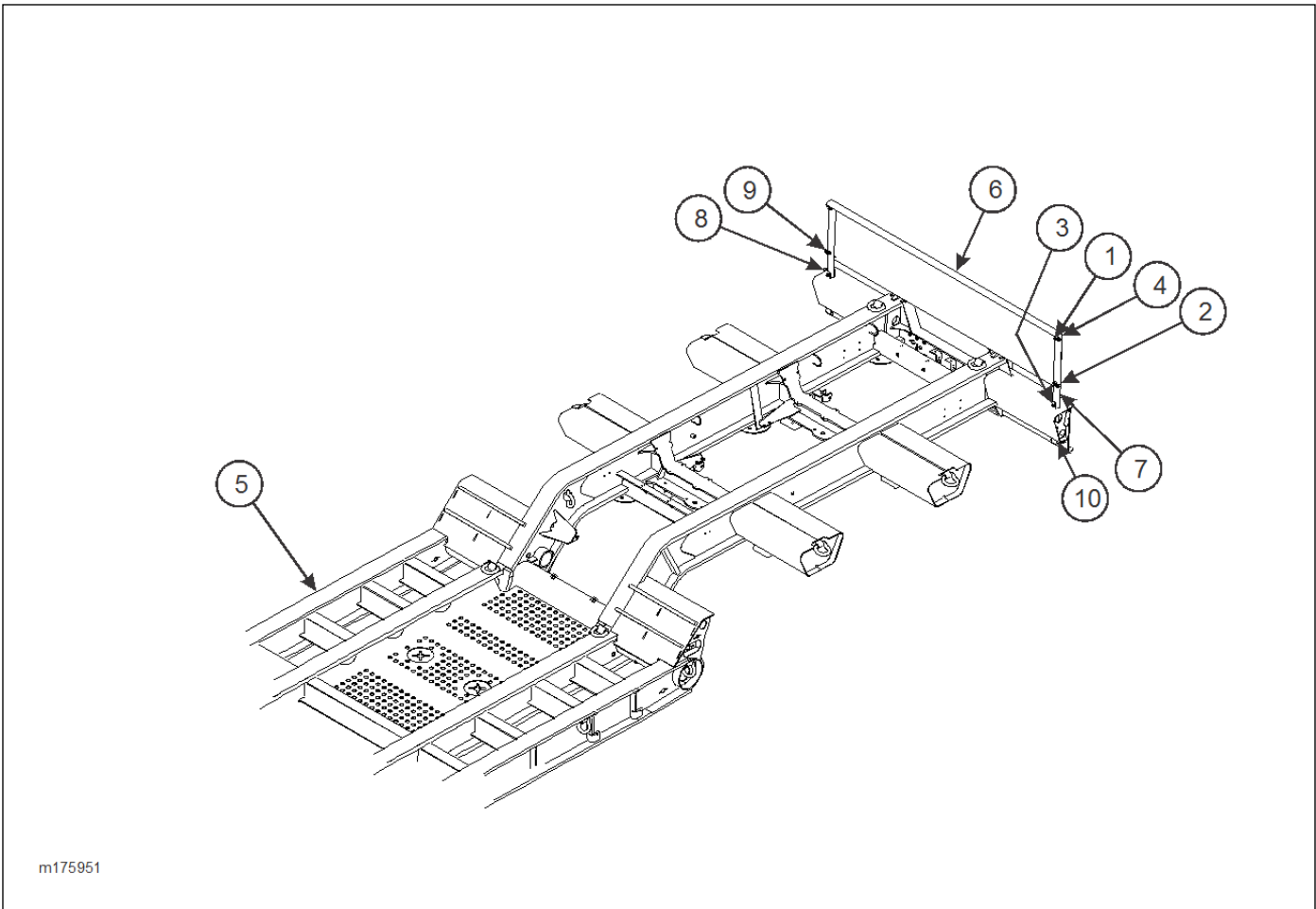


m174667

Figure 2-112: 24/12V Electrical Conversion Box Installation (Option)

24/12V ELECTRICAL CONVERSION BOX INSTALLATION (OPTION)

ITEM	PART NO.	DESCRIPTION	QTY.
	174647	24/12V ELECTRICAL CONVERSION BOX	
1	1-512-010005-03	NUT, HEX LOCK 5/16-18 GRB	4
2	1-654-010049-05	SCREW, HEX HEAD CAP 5/16-18 X 1 GR5	4
3	1-861-010032-09	WASHER, FLAT 5/16W	4
4	137107	VOLTAGE CONVERTER BOX 12/24V	1
5	143166	HARNESS EXTENSION, 48"	1
6	----	FLIP WELDMENT, G/N	REF
7	174650	MODIFY G/N 855	1



m175951

Figure 2-113: Load Banner Assembly (Option)

LOAD BANNER ASSEMBLY (OPTION)

ITEM	PART NO.	DESCRIPTION	QTY.
	175951	LOAD BANNER ASSEMBLY	
1	1-512-010005-05	NUT, HEX LOCK 3/8-16 GRB	3
2	1-654-010051-11	SCREW, HEX HEAD CAP 3/8-16 X 2-1/2 GR5	2
3	1-654-010051-12	SCREW, HEX HEAD CAP 3/8-16 X 2-3/4 GR5	2
4	1-861-010032-11	WASHER, FLAT 3/8W	5
5	----	FRAME WELDMENT	REF
6	175950	SUPPORT, WIDE LOAD BANNER	1
7	175952	TUBE, LOAD BANNER	2
8	175953	STOP, LOAD BANNER	4
9	175955	ANCHOR, BANNER	4
10	516-22PTL	RETAINING PIN, MUD FLAP	2

Notes

Numerical Index

Symbols

..... 2-31

Numerics

0013007 2-143, 2-145
 005-096-00 2-73
 005-098-00 2-73
 005-099-00 2-73
 006-114-00 2-73
 006-115-00 2-73
 010-052-00 2-73
 014-065-00 2-73
 034-057-01 2-73
 034-058-01 2-73
 040-180-00 2-73
 046-096-00 2-73
 046-097-00 2-73
 056-018-00 2-73
 0600-375-01500 2-105
 069-078-00 2-73
 071-122-00 2-73
 1/4-20WN 2-128
 1/4-20X1-1/4 CB 2-128
 1/4X3 2-35
 10030 2-125
 100696 2-161
 1-007-010006 2-141
 1-007-010025 2-14, 2-29

100855 2-7
 101386 2-14, 2-18, 2-37, 2-83
 101528 2-14, 2-49, 2-61, 2-99
 101855 2-5
 102-0323 2-128
 102-0511 2-128
 102-1158 2-163
 102361 2-71
 102363 2-71
 102364 2-71
 102732 2-51, 2-63, 2-65
 103805 2-73
 103817 2-39, 2-53
 103861 2-47
 104-0505 2-128
 105-0105 2-128
 105237 2-7, 2-18
 105243 2-7, 2-18
 105245 2-7, 2-18
 105274 2-14
 105276 2-125
 105282 2-5, 2-7, 2-14, 2-18
 105283 2-5, 2-7, 2-14, 2-18
 105288 2-161
 105296 2-161
 105297 2-161
 105408 2-71
 105479 2-15, 2-29, 2-123, 2-138, 2-141, 2-161
 105480 2-15, 2-29, 2-123, 2-138, 2-141, 2-161



NUMERICAL INDEX

105481	2-15, 2-29, 2-138, 2-141, 2-161	110996	2-125
105482	2-15, 2-29, 2-138, 2-141, 2-161	111007	2-71
105483	2-15, 2-29	111008	2-67, 2-69, 2-71
105822	2-5, 2-15, 2-18, 2-161	111010	2-71
105902	2-161	111011	2-71
1-060-010004	2-128	111012	2-71
106-0078	2-128	111013	2-71
106654	2-161	111014	2-71
106655	2-161	111016	2-71
106684	2-161	111017	2-71
106759	2-141	111018	2-71
106760	2-141	111019	2-71
106945	2-7, 2-18	111021	2-51, 2-63, 2-65
107-1001	2-133	111022	2-71
107498	2-141	111023	2-71
107499	2-141	111025	2-69
107513	2-141	111026	2-69
107887	2-11, 2-18, 2-25	111027	2-67
108196	2-163	111028	2-67
108336	2-178, 2-179, 2-180, 2-181	111029	2-67
108417	2-149, 2-151	111030	2-69
108601	2-138	111031	2-69
108801	2-11, 2-25, 2-44, 2-58	111033	2-67, 2-69
108802	2-11, 2-25, 2-44, 2-58	111036	2-67, 2-69
109533	2-71	111037	2-67
1-1/4ST ELL	2-141	111038	2-67
110-0116	2-138	111-1267	2-128
110-0253	2-138	111382	2-173
110-4337	2-128	111390	2-173
110615	2-67, 2-69	111416	2-79
110616	2-69	111417	2-79
110617	2-69	111652	2-79
110618	2-39, 2-51, 2-53, 2-63, 2-69, 2-85, 2-87, 2-91, 2-93	112172	2-123, 2-125
110621	2-67	112174	2-125
110622	2-39, 2-51, 2-53, 2-63, 2-67	112175	2-125
110975	2-79	112184	2-123
110976	2-79	112193	2-169
		112248	2-125

112324	2-171	121355	2-15, 2-29
112529	2-161	12-16 070120	2-141
112953	2-169	123812	2-37
113109	2-161	123873	2-37
113536	2-79	123968	2-15, 2-29
114586	2-44, 2-47, 2-58	12412300-08	2-138
114588	2-47	12412408	2-175
114712	2-107	1-242-010180-3	2-37, 2-83, 2-103
114741	2-105	12420301-017	2-5, 2-109
114814	2-138	12486400-520	2-67, 2-69
114815	2-125, 2-138	12486400-521	2-67, 2-69
114987	2-83	12486400-526	2-67, 2-69
115717	2-73	125130	2-123, 2-141
115722	2-73	125894	2-15, 2-18
115752	2-39, 2-44, 2-49, 2-53, 2-58, 2-61	126359	2-166
115756	2-39, 2-44, 2-49, 2-53, 2-58, 2-61	126900	2-71
115757	2-85, 2-87, 2-97, 2-99	1-271-010005-05	2-128
115877	2-138	127708	2-71
116100	2-83	127754	2-161
116326	2-138	127806	2-37, 2-83
116328	2-138	127991	2-149, 2-151
116330	2-138	128433	2-67
116536	2-14, 2-29	128434	2-69
117838	2-11, 2-25	128436	2-166
117839	2-11, 2-25	128550	2-73
117997	2-53, 2-149, 2-151	128601	2-182
118005	2-125	128873	2-85, 2-89
118006	2-125	128874	2-83, 2-85, 2-89, 2-180, 2-181
1-181-010046-7	2-138	128886	2-113, 2-115, 2-116
118650	2-163	129004	2-67, 2-69
118-7429	2-125	129005	2-69
119206	2-138	129006	2-67, 2-69
119531	2-149	129146	2-83
120054	2-79	129264	2-138
120055	2-79	1-295-010001	2-123, 2-128, 2-138, 2-141
120056	2-79	1-295-010002	2-141
120660	2-138	129698	2-83
120661	2-138	1-297-010004-04	2-11, 2-25

NUMERICAL INDEX

1-297-010007-05	2-11, 2-25, 2-51, 2-63, 2-169, 2-171	129895	2-143
1-297-010007-06	2-11, 2-25, 2-101	130064	2-165
1-297-010007-16	2-58	130068	2-165
1-297-010008-05	2-11, 2-25, 2-39, 2-51, 2-63, 2-171	130116	2-5, 2-153, 2-154, 2-157
1-297-010008-07	2-11, 2-25, 2-93, 2-171, 2-182	130157	2-131
1-297-010008-09	2-51, 2-63	130642	2-163
1-297-010008-18	2-11, 2-25, 2-44, 2-58, 2-91, 2-93, 2-171	131195	2-113, 2-115, 2-116
1-297-010008-20	2-11, 2-25, 2-44, 2-58	1-323-010008	2-182
1-297-010008-23	2-44, 2-58	133458	2-83
1-297-010008-24	2-44, 2-58	134144	2-67
1-297-010009-03	2-11, 2-25	1-343-010001	2-125, 2-157
1-297-010009-04	2-58	134757	2-79
1-297-010010-01	2-169	134901	2-15, 2-29, 2-138
1-297-010010-03	2-51, 2-63	135181	2-53
1-297-010010-04	2-51, 2-63, 2-182	136870	2-113, 2-115
1-297-010010-06	2-44, 2-58	136871	2-113, 2-115
1-297-010011-02	2-171	136908	2-113
1-297-010011-04	2-91, 2-171	137107	2-183
1-297-010013-11	2-51, 2-63	137108	2-79, 2-161
1-297-010013-12	2-91, 2-93	137461	2-73
1-297-010013-16	2-44, 2-58	137485	2-73
1-297-010014-02	2-182	138090	2-73
1-297-010015-02	2-171	138155	2-49, 2-61, 2-99
1-297-010015-06	2-11, 2-25	1-384-010038024	2-44, 2-58
1-297-010015-07	2-44, 2-58	1-384-010038030	2-44, 2-58, 2-91, 2-93, 2-101
1-297-010015-11	2-44, 2-58	1-384-010038038	2-91, 2-101
1-297-010018-02	2-11, 2-25	1-384-010038054	2-44, 2-58
1-297-010018-03	2-44, 2-58	1-384-010038056	2-97
1-297-010019-03	2-93	1-384-010038060	2-11, 2-25, 2-44, 2-58, 2-97
1-297-010020-02	2-11, 2-25	1-384-010038072	2-44, 2-58, 2-97
1-297-010022-02	2-11, 2-25, 2-182	1-384-010038076	2-97
1-297-010022-03	2-44, 2-51, 2-58, 2-63, 2-91, 2-93, 2-101	1-384-010038084	2-44, 2-58
1-297-010033-03	2-11, 2-25	1-384-010038090	2-45, 2-59
1-298-010001-1	2-85	1-384-010038-2	2-44, 2-58, 2-97
129893	2-143, 2-145	138712	2-15, 2-29
129894	2-143, 2-145	138814	2-11, 2-18, 2-25
		138956	2-73
		138960	2-73

138963	2-85, 2-87, 2-97, 2-99, 2-101	142465	2-15
139132	2-145	142545	2-15, 2-18, 2-29, 2-49, 2-61, 2-99
139133	2-145	142553	2-5, 2-49, 2-61, 2-99
139140	2-128	143100	2-9, 2-21
139383	2-73	143101	2-9, 2-21
139529	2-159	143102	2-41, 2-55, 2-143, 2-145
139600	2-79	143103	2-41, 2-55, 2-149, 2-151
1-397-010301024	2-123	143104	2-41, 2-55, 2-95, 2-149, 2-151, 2-153, 2-154, 2-157
1-397-010301074	2-29	143105	2-9, 2-21
1-397-010301100	2-141	143106	2-41, 2-55
1-397-010302022	2-29	143108	2-41, 2-55, 2-95
1-397-010302042	2-125	143109	2-9, 2-21, 2-41, 2-55
1-397-010302050	2-14	143110	2-9, 2-21, 2-41, 2-55, 2-95
1-397-010302060	2-123, 2-128	143111	2-41, 2-55, 2-95
1-397-010302068	2-14, 2-29	143113	2-41, 2-55, 2-95, 2-149, 2-151, 2-157
1-397-010304016	2-128	143114	2-41, 2-55, 2-95, 2-149, 2-151, 2-157
1-397-010304018	2-138	143115	2-149, 2-151
1-397-010304025	2-138	143116	2-149, 2-151
1-397-010304060	2-131	143117	2-41, 2-55, 2-95, 2-149, 2-151
1-397-010305060	2-123, 2-128	143118	2-41, 2-55, 2-95, 2-149, 2-151
1-397-010305102	2-14	143119	2-41, 2-55
1-397-010305145	2-14	143121	2-9, 2-21, 2-41, 2-55, 2-147, 2-151, 2-157
1-397-010318018	2-128	143166	2-149, 2-151, 2-183
140369	2-89, 2-93, 2-169, 2-171	143669	2-115
140450	2-87, 2-93, 2-172	143670	2-115, 2-180, 2-181
1406044	2-15, 2-131	143671	2-115, 2-180, 2-181
140939	2-169	144608	2-149, 2-153, 2-154, 2-157
1413916	2-15, 2-29	144609	2-41, 2-55, 2-95
141708	2-71	144724	2-79
142064	2-113	144736	2-128
142065	2-113	144979	2-73
142441	2-15, 2-99	145377	2-83
142442	2-29	145677	2-159
142445	2-49, 2-61	146897	2-9, 2-21, 2-41, 2-55
142446	2-49, 2-61	146898	2-41, 2-55, 2-95
142451	2-49, 2-61	146924	2-29, 2-49, 2-61
142452	2-49, 2-61	146929	2-41, 2-55, 2-157
142453	2-49		

NUMERICAL INDEX

146931	2-143	1-512-010005-01 . . .	2-7, 2-14, 2-18, 2-29, 2-37, 2-41, 2-51, 2-55, 2-63, 2-65, 2-83, 2-95, 2-128, 2-133, 2-138, 2-143, 2-145, 2-155, 2-166
146932	2-145	1-512-010005-03 . . .	2-9, 2-21, 2-41, 2-55, 2-89, 2-111, 2-125, 2-128, 2-169, 2-183
147312	2-115	1-512-010005-05 . . .	2-7, 2-11, 2-18, 2-25, 2-39, 2-44, 2-53, 2-58, 2-83, 2-85, 2-89, 2-97, 2-109, 2-115, 2-117, 2-118, 2-125, 2-128, 2-133, 2-138, 2-141, 2-145, 2-163, 2-175, 2-178, 2-179, 2-180, 2-181, 2-182, 2-184
147372	2-103	1-512-010005-09 . . .	2-39, 2-53, 2-85, 2-113, 2-115, 2-119, 2-120, 2-128, 2-138, 2-141, 2-157, 2-163, 2-173, 2-180, 2-181
147377	2-103	1-512-010005-15 . . .	2-7, 2-18, 2-111, 2-121, 2-131, 2-133
147464	2-47	1-512-010005-19	2-123, 2-125
148028	2-83	1-512-010007-03	2-41, 2-55, 2-85, 2-89, 2-95
148043	2-83	1-512-010007-05	2-128
148044	2-83	1-512-010007-06	2-128
148045	2-83	1-512-010007-09	2-71
148338	2-131	1-512-010007-12	2-7, 2-18, 2-176, 2-177
148413	2-159	153032	2-128
148417	2-159	1-533-010001	2-105
148783	2-83	153748	2-5
148811	2-83	153749	2-5
150057	2-83	153751	2-138
150058	2-83	153754	2-5
150059	2-83	153755	2-5
150072	2-149, 2-151	153792	2-5
150073	2-149	153795	2-5, 2-138
150074	2-149, 2-151	153797	2-5
150076	2-7, 2-18	153798	2-5
150114	2-153, 2-154	154653	2-159
150115	2-153, 2-154	155107	2-147, 2-152, 2-153
150116 2-41, 2-55, 2-95, 2-143, 2-145, 2-153, 2-154, 2-155		155628	2-143
150117	2-153, 2-154, 2-157	1-557-010014	2-105
150118	2-147, 2-153, 2-155	1-557-010362-49	2-174
150329	2-149	1-557-010362-51	2-163
150330	2-149	1-557-010362-63	2-37, 2-83
150331	2-149	155780	2-5, 2-109
150346	2-79	1-560-010002-02	2-11, 2-25
1-510-010001 2-7, 2-11, 2-14, 2-18, 2-25, 2-29, 2-39, 2-53, 2-113, 2-115, 2-116			
1-510-010003-09	2-51, 2-63, 2-83, 2-85, 2-89		
1-512-010003-06	2-133, 2-171		
1-512-010004-03	2-125, 2-138		

1-560-010002-03	2-44, 2-58	162062	2-5
1-560-010002-04	2-44, 2-58, 2-97, 2-141	162063	2-5
1-560-010002-05	2-44, 2-58, 2-128, 2-141	162066	2-116
1-560-010002-07	2-141	162070	2-5
156067	2-147, 2-152	162483	2-117, 2-131
156068	2-147	162484	2-117, 2-118
156069	2-152	162485	2-117
156502	2-155	162787	2-119
157257	2-138	162788	2-7, 2-18
157263	2-138	163045	2-103
157700	2-101, 2-159	163051	2-83
157703	2-159	163092	2-39, 2-53
157704	2-159	163099	2-39, 2-41, 2-44, 2-49, 2-51
157705	2-159	163100	2-119
157706	2-159	163101	2-105
157707	2-159	163102	2-105
159261	2-138	163346	2-83
159337	2-159	163351	2-15, 2-18
159338	2-159	163474	2-32
160366	2-7, 2-15, 2-32, 2-33	163475	2-32
160367	2-116	163476	2-32
160396	2-7, 2-11, 2-15, 2-121	163477	2-32
161165	2-7, 2-18	163478	2-32
161168	2-7, 2-18	163479	2-32
161172	2-7	163480	2-32
161797	2-49, 2-61, 2-99	163481	2-32
161825	2-172	163515	2-39, 2-41, 2-44, 2-49, 2-51
161827	2-172	163516	2-119
161830	2-172	163549	2-85
161833	2-172	163557	2-39, 2-41, 2-44, 2-49, 2-51
162037	2-7	163567	2-85
162038	2-7	163572	2-85
162039	2-7	163573	2-85
162045	2-119	163574	2-85
162046	2-119, 2-120	163575	2-85
162049	2-121	163578	2-44, 2-58
162051	2-121	163589	2-174
162056	2-7	163592	2-85

NUMERICAL INDEX

163593	2-85, 2-91, 2-95, 2-97, 2-99	165163	2-174
163594	2-85, 2-91, 2-95, 2-97, 2-99, 2-101	165175	2-85, 2-91, 2-95, 2-97, 2-99
163595	2-83	165176	2-85, 2-91, 2-95, 2-97, 2-99, 2-101
163780	2-83	1-654-010034-06	2-111
163781	2-83	1-654-010047-03	2-14, 2-18, 2-133
163784	2-83	1-654-010047-04	2-51, 2-63, 2-65, 2-149, 2-151
163796	2-14, 2-29	1-654-010047-05	2-7, 2-18
163996	2-157	1-654-010047-06	2-14, 2-18, 2-37, 2-41, 2-55, 2-83, 2-95, 2-138, 2-143, 2-145, 2-155
164026	2-133, 2-138	1-654-010047-07	2-166
164042	2-138	1-654-010047-10	2-14, 2-29
164046	2-138	1-654-010049-03	2-79
164052	2-157	1-654-010049-05	2-89, 2-169, 2-183
164087	2-172	1-654-010049-06	2-9, 2-21, 2-41, 2-55
164090	2-172	1-654-010050-07	2-128
164091	2-172	1-654-010051-03	2-163, 2-182
164092	2-172	1-654-010051-05	2-7, 2-11, 2-18, 2-25, 2-67, 2-69, 2-125, 2-128, 2-178, 2-179, 2-180, 2-181
164093	2-172	1-654-010051-06	2-18, 2-113, 2-115, 2-116, 2-128, 2-133, 2-138, 2-141, 2-175
164108	2-120	1-654-010051-07	2-39, 2-53, 2-85, 2-89, 2-109, 2-116, 2-143, 2-145
164109	2-120	1-654-010051-08	2-7, 2-25, 2-44, 2-58, 2-89, 2-97, 2-113, 2-115, 2-163
164110	2-120	1-654-010051-09	2-14, 2-18, 2-117, 2-118
164435	2-15, 2-29	1-654-010051-11	2-184
1-647-010004117	2-163	1-654-010051-12	2-184
1-647-010004217	2-163	1-654-010055-01	2-119, 2-120, 2-128
1-647-010004221	2-7, 2-18, 2-85	1-654-010055-02	2-83, 2-85
1-647-010004259	2-85, 2-89, 2-107, 2-109	1-654-010055-03	2-113, 2-115, 2-128, 2-138, 2-141, 2-180, 2-181
164827	2-115	1-654-010055-04	2-39, 2-53, 2-105, 2-119, 2-120, 2-141, 2-173
164828	2-176	1-654-010055-05	2-163
164829	2-176	1-654-010055-07	2-138
164830	2-176	1-654-010055-10	2-85, 2-89
164831	2-176	1-654-010055-11	2-51, 2-63
164838	2-176	1-654-010061-04	2-176, 2-177
164881	2-79	1-654-010061-05	2-111
164897	2-5, 2-7, 2-18	1-654-010061-09	2-131, 2-133
165151	2-177		
165152	2-177		
165156	2-177		
165160	2-177		
165161	2-177		

1-654-010061-16	2-111	169645	2-119
1-654-010061-20	2-18	169853	2-157
1-654-010065-17	2-123, 2-125	170115	2-69, 2-161
1-654-010100015	2-128	170411	2-175
1-654-010121-06	2-125	170412	2-175
165464	2-39, 2-41, 2-44, 2-49, 2-51	170421	2-18, 2-29, 2-34
1-656-010003051	2-41, 2-55, 2-85, 2-89, 2-95, 2-125, 2-171	1709AS669-01	2-138
166924	2-167	171204	2-138
167-0022	2-105	171294	2-41
167199	2-33	171302	2-41, 2-55
167200	2-33	171303	2-41, 2-55
167201	2-33	171305	2-41, 2-55
167391	2-67	171441	2-125
167392	2-67	171664	2-44, 2-51, 2-58, 2-63
167846	2-51, 2-63	171678	2-15, 2-18, 2-37
167848	2-51, 2-63	171679	2-7, 2-9, 2-11, 2-14
167849	2-51, 2-63	171680	2-7, 2-15
167965	2-143, 2-145, 2-155	171685	2-7, 2-9, 2-11, 2-14
168517	2-15, 2-18, 2-25	171686	2-7, 2-15
168519	2-15, 2-18, 2-25	171924	2-55
168524	2-9, 2-21	171925	2-41, 2-55
168635	2-39, 2-41, 2-44, 2-49, 2-51	171976	2-178
168712	2-157	171977	2-180
168713	2-157	171981	2-179
168717	2-157	171982	2-181
168940	2-39, 2-41, 2-44, 2-49, 2-51	171983	2-179, 2-181
168961	2-120	171984	2-178, 2-179, 2-180, 2-181
168962	2-120	172022	2-161
168963	2-105	172030	2-18, 2-21, 2-25, 2-29, 2-35
168968	2-85	172031	2-18, 2-29
168970	2-85, 2-91, 2-95, 2-97, 2-99	172354	2-18, 2-25
168971	2-85, 2-91, 2-95, 2-97, 2-99, 2-101	172362	2-18
168972	2-174	172365	2-18
168973	2-39, 2-51, 2-63	172366	2-18
169372	2-7, 2-18	172374	2-18
169410	2-41, 2-55	172378	2-35
169644	2-119	172389	2-18
		172390	2-53, 2-55, 2-58, 2-61, 2-63

NUMERICAL INDEX

172425	2-107	174070	2-154
172426	2-107, 2-109	174071	2-154
172427	2-107, 2-109	174152	2-34
172428	2-109	174153	2-34
172429	2-35, 2-37	174154	2-34
172434	2-109	174247	2-53, 2-55, 2-58, 2-61, 2-63
172435	2-107	174248	2-37, 2-133
172436	2-107, 2-109	174249	2-37
172439	2-161	174250	2-37
172905	2-53	174611	2-163
173605	2-131	174612	2-163, 2-165
173607	2-131, 2-133	174616	2-163
173608	2-131	174618	2-163
173614	2-53, 2-55, 2-58, 2-61, 2-63	174628	2-163
173637	2-163	174632	2-163
173650	2-163	174633	2-163
173651	2-161	174634	2-163
173652	2-163	174635	2-163
173653	2-163	174636	2-163
173654	2-163	174638	2-163
173658	2-111	174639	2-163
173662	2-111	174640	2-163
173664	2-111	174642	2-163
173666	2-111	174645	2-111
173669	2-111	174647	2-183
173670	2-111	174648	2-163
173672	2-111	174650	2-133, 2-183
174019	2-178, 2-180	174651	2-133, 2-138
174020	2-178, 2-180	174653	2-133
174021	2-178	174654	2-133
174022	2-178, 2-179, 2-180	174655	2-133
174023	2-179, 2-181	174664	2-118
174024	2-179	174665	2-118
174027	2-180, 2-181	174666	2-53, 2-55, 2-58, 2-61, 2-63
174042	2-5	175355	2-151
174066	2-87, 2-93	175357	2-167
174067	2-87, 2-89, 2-93, 2-95, 2-97, 2-99	175361	2-167
174068	2-87, 2-89, 2-93, 2-95, 2-97, 2-99, 2-101	175362	2-167

175363	2-167	1-861-010032-14	2-85
175365	2-167	1-861-010032-15	2-39, 2-51, 2-53, 2-63, 2-85, 2-89, 2-105, 2-113, 2-115, 2-119, 2-120, 2-128, 2-138, 2-157, 2-163, 2-180, 2-181
175366	2-167		
175572	2-165	1-861-010032-16	2-163
175932	2-133	1-861-010032-21	2-7, 2-18, 2-131, 2-133
175950	2-184	1-861-010032-25	2-37, 2-83
175951	2-184	1-861-010034-07	2-41, 2-55, 2-85, 2-89, 2-95, 2-128
175952	2-184	1-861-010034-09	2-138
175953	2-184	1-861-010034-10	2-79
175955	2-184	1-861-010034-11	2-7, 2-18, 2-138, 2-163
178749	2-159	1-861-010034-13	2-71, 2-141
179570	2-75	1-861-010034-17	2-176, 2-177
179579	2-75, 2-77	1-861-010059-21	2-14, 2-29
179580	2-75, 2-77	189323**	2-75, 2-77
179581	2-75, 2-77	191588	2-67
179582	2-75, 2-77	191589	2-67
179583	2-75, 2-77	192003	2-75, 2-77
1-796-010001	2-39, 2-53	192004	2-75, 2-77
1-796-010003-01	2-85, 2-87, 2-166	192005	2-75, 2-77
179902	2-41, 2-55	192006	2-75, 2-77
179933	2-79	192007	2-75, 2-77
180756	2-77	192063	2-75, 2-77
180768	2-75	1A0290	2-31
1-822-010002	2-128, 2-138	1A0291	2-31
1-833-010001	2-11, 2-25, 2-51, 2-63, 2-93, 2-101, 2-171, 2-182	1A0292	2-31
1-833-010002	2-11, 2-25, 2-44, 2-51, 2-58, 2-63, 2-91, 2-93	1A0294	2-31
1-833-010003	2-44, 2-58	1A0709	2-31
1-861-010032-03	2-125, 2-128, 2-133	1A0711	2-31
1-861-010032-07	2-7, 2-14, 2-18, 2-29, 2-37, 2-41, 2-55, 2-83, 2-95, 2-128, 2-133, 2-138, 2-155, 2-166	1A0744	2-31
1-861-010032-09	2-9, 2-21, 2-41, 2-55, 2-89, 2-111, 2-125, 2-128, 2-169, 2-183	1A0757	2-31
1-861-010032-10	2-125	1R0017	2-31
1-861-010032-11	2-7, 2-11, 2-18, 2-25, 2-29, 2-39, 2-44, 2-53, 2-58, 2-85, 2-89, 2-97, 2-109, 2-113, 2-115, 2-116, 2-117, 2-118, 2-128, 2-133, 2-138, 2-143, 2-145, 2-163, 2-175, 2-178, 2-179, 2-180, 2-181, 2-184	1V0081	2-31
		1V0208	2-31
		1V1701	2-31
		1V1725	2-31
		201636	2-75
		201637	2-75

NUMERICAL INDEX

201638	2-75	231-4310	2-125
201639	2-75	237-2308-012	2-157
2021-12-8S	2-123	239-3646-3	2-149
2024-12-12S	2-123, 2-128, 2-138, 2-141	239-4899	2-125
2024-12-8S	2-123, 2-141	239-8113-18	2-163
2024-2-4S	2-15, 2-29, 2-49, 2-61, 2-99	239-8115-12	2-163
202702-10-8S	2-15, 2-29	239-9008-3	2-133
202702-12-12S	2-15, 2-29, 2-123	239-9076-006	2-85, 2-89
202702-12-8S	2-15, 2-29, 2-123	239-9961	2-152
202702-20-20S	2-139	2481X	2-139
202702-6-6S	2-163	2-557-010054	2-37
202702-8-8S	2-15, 2-29, 2-37, 2-83	2-573-010037	2-5, 2-83
203101-12-12S	2-15, 2-29	2-573-010335	2-5
203102-12-12S	2-139	2-720-010006	2-7, 2-19
2033-8-8S	2-15, 2-29	2-720-010007	2-7, 2-19
2046-6-6S	2-91, 2-93, 2-97, 2-101	2A0079-404	2-31
2047-12-12S	2-141	2A0079-406	2-31
2061-8-8S	2-83	2A0283-7214	2-31
206209-12-12S	2-139	2V0010	2-31
2062-10-12S	2-128, 2-139	3/4NIPPLE	2-123
2062-10-8S	2-7, 2-15, 2-29, 2-128	3-007-010042	2-128
2062-12-12S	2-15, 2-29, 2-139	3-014-010023	2-128
2062-16-8S	2-29, 2-141	3-054-010066	2-128
2062-8-8S	2-37, 2-83, 2-128	3067	2-79
2071-8-8S	2-128	3-120-010124	2-139, 2-163
2081-8-6S	2-44, 2-58, 2-97	3-120-010445	2-11, 2-25, 2-182
2083-12-8S	2-44, 2-58	3-120-010461	2-141
2083-4-4S	2-63	3-120-010463	2-125
2083-8-4S	2-51, 2-93	3-120-010498	2-175
2083-8-8S	2-44, 2-58	3-128-010032	2-152
2088-6-6S	2-44, 2-58	3-153-010024040	2-125
2089-6-6S	2-44, 2-59, 2-97	3-155-010012	2-133
2089-8-8S	2-51, 2-58, 2-63	3-156-010042	2-129
2092-6-6S	2-44, 2-58	3-162-010001	2-129, 2-139, 2-141
2-181-010001	2-7, 2-15, 2-18, 2-29	3-182-010034	2-125
2216-12-12S	2-161	3-201-010002	2-39, 2-53, 2-85, 2-87, 2-129
2240-12-12S	2-139	3-220-010004	2-44, 2-51, 2-58, 2-63
2-242-010084	2-128	3-220-010005	2-91, 2-93, 2-97, 2-101

3-220-010010	2-129	3-765-010015	2-129
3-238-010007	2-7, 2-11, 2-19, 2-25	3-780-010002	2-44, 2-51, 2-58, 2-63, 2-89, 2-93, 2-97
3-272-010010	2-143, 2-145, 2-155	3-786-010033	2-123
3-272-010021	2-129, 2-143, 2-145	3-786-010037	2-129
3-272-010157	2-152	3-786-010043	2-141
3-273-010014	2-129	3-793-010040	2-173
3-311-015001	2-105	3-846-010041	2-129
3-316-010008	2-129	3-846-010155	2-123
3-360-010008	2-15, 2-19, 2-31, 2-37, 2-83	3-846-010156	2-129
3-368-010068	2-129	3-846-010159	2-15, 2-19, 2-29, 2-31
3-368-010252	2-129, 2-147, 2-149, 2-151, 2-155	3-850-010002	2-129
3-380-010006	2-129	3-870-010104	2-79
3-395-010001	2-85, 2-87, 2-166, 2-167	3-870-010106	2-79
3-399-010001	2-141	3-870-010110	2-79
3-410-010912	2-128	3-870-010116	2-79
3-443-010018	2-139	4009	2-79
3-482-010051	2-129	4Z4306	2-31
3-482-010137	2-129	5/16-18X2 HHCS	2-129
3-482-010503	2-141	50976-32	2-29
3-485-010001	2-39, 2-53, 2-85, 2-89, 2-109	514-9045-26	2-139
3-557-010273	2-35	514-9045-30	2-163
3-561-010001	2-141	514-9073-18	2-139
3-565-010172	2-129	516-22PTL	2-7, 2-19, 2-89, 2-107, 2-109, 2-184
3-565-010173	2-129	5210	2-7, 2-19
3-573-010210	2-5	55B61	2-11, 2-25
3-573-010298	2-5	55B61-6	2-11, 2-25
3-573-010377	2-5, 2-85, 2-87	55B61-7	2-11, 2-25
3-573-010496	2-5, 2-35, 2-85, 2-87	56D4	2-44, 2-58, 2-97
3-591-010001	2-141	622-3511-008	2-7, 2-19
3-591-010010	2-129	6828	2-141
3-654-010129-2	2-39, 2-53	758-181	2-44, 2-58
3-659-010012	2-79	805-2	2-44, 2-58, 2-89, 2-97
3-681-010056	2-129	81264	2-153, 2-154
3-681-010057	2-129	900 23 002	2-69
3-681-010069	2-129	900 45 040	2-71
3-720-010075	2-7, 2-19	900 54 007	2-51, 2-63, 2-65
3-762-010017	2-39, 2-53, 2-85, 2-89, 2-109, 2-113, 2-115, 2-116	900-08-139	2-71
		900-25-288	2-71

NUMERICAL INDEX

900-36-177 2-69
900-44-162 2-67, 2-69
900-44-233 2-93
900-54-079 2-171
900-54-088 2-39, 2-51, 2-63, 2-171
900598-12S 2-139
90508009 2-71
905-54-107 2-11, 2-25, 2-51, 2-63, 2-65, 2-93
905-54-676 2-93
905-57-129 2-71
934 00 149 2-67, 2-69, 2-71
934 00 492 2-69, 2-71
934 00 498 2-67, 2-69
934-00-492 2-67
934-00-506 2-71
936 00 077 2-69, 2-71
936 00 162 2-67, 2-69
95 2-15, 2-19, 2-37, 2-83
9-630-010009 2-19

C

C3069X12 2-141
CA-1595 2-123, 2-129, 2-139

H

HM212011 2-79
HM212049 2-79
HM218210 2-79
HM218248 2-79

K

K71-136-00 2-73

P

PTO 2-141

R

RWD39062 2-39, 2-53

S

STP-164 2-129

T

TR545D 2-79

TR573 2-79

W

W214S-1 2-143, 2-145

W908409-4 2-111, 2-121



Intertek

Equipment from Landoll Corporation is built to exacting standards ensured by ISO 9001 registration at all Landoll manufacturing facilities.

Model 855C/855C HD Detachable Semitrailer Parts Manual

Re-Order Part Number F-690-0113

LANDOLL CORPORATION

1900 North Street

Marysville, Kansas 66508

(785) 562-5381

800-428-5655 ~ WWW.LANDOLL.COM



Copyright 2010. Landoll Corporation

“All rights reserved, including the right to reproduce this material or portions thereof in any form”