



ARTISAN[®]
TECHNOLOGY GROUP

Your **definitive** source
for quality pre-owned
equipment.

Artisan Technology Group

(217) 352-9330 | sales@artisanng.com | artisanng.com

Full-service, independent repair center

with experienced engineers and technicians on staff.

We buy your excess, underutilized, and idle equipment

along with credit for buybacks and trade-ins.

Custom engineering

so your equipment works exactly as you specify.

- Critical and expedited services
- In stock / Ready-to-ship
- Leasing / Rentals / Demos
- ITAR-certified secure asset solutions

Expert team | Trust guarantee | 100% satisfaction

All trademarks, brand names, and brands appearing herein are the property of their respective owners.

Find the *Leybold 235002* at our website: [Click HERE](#)

oerlikon

leybold vacuum

leybold
leybold
leybold
leybold
leybold
leybold
leybold
leybold
leybold
leybold
leybold
leybold
leybold
leybold
leybold
leybold
leybold
leybold
leybold
leybold
leybold
leybold
leybold
leybold
leybold
leybold
leybold

260.00.02
Excerpt from the Oerlikon Leybold Vacuum Full Line Catalog 2015/2016
Catalog Part Vacuum - measuring, controlling

Vacuum - measuring, controlling

Vacuum Gauges
Calibration Service
VACVISION

Contents

Vacuum - measuring, controlling

General

Applications for Vacuum Gauges	669
Select the Combination of Sensor and Gauges which is ideal for your Application	670
Basic Terms of Vacuum Metrology	674
Connection Accessories for Small Flanges	676

Products

Mechanical Gauges (Vacuum Gauges Analog Readout)

Bourdon Vacuum Gauges.	677
Capsule Vacuum Gauges.	678
Diaphragm Vacuum Gauge DIAVAC DV 1000	680
Diaphragm Vacuum Gauge DIAVAC E	682

Handheld Measurement Instruments

THERMOVAC Sensor TM 101	684
-----------------------------------	-----

Active Sensors / Transmitters

CERAVAC Transmitters CTR 100 and CTR 101	686
THERMOVAC Transmitters TTR 91, TTR 91 S, TTR 96 S	690
THERMOVAC Transmitters with Fieldbus Interface Profibus or DeviceNet TTR 911 to TTR 916 PB	694
THERMOVAC Transmitters TTR 101, TTR 101 S2	698
PENNINGVAC Transmitters PTR 225, PTR 225 S, PTR 237	702
PENNINGVAC Transmitter PTR 90	706
IONIVAC Transmitter ITR 90.	710
IONIVAC Transmitter ITR 200 S	714
Spiral Tube	718

Connection Cables for Active Sensors	720
---	------------

Operating Units for Active Sensors

DISPLAY ONE	722
DISPLAY TWO, THREE	724
CENTER ONE	726
CENTER TWO, THREE	728

Ultra High Vacuum Operating Units and Passive Sensors

COMBIVAC CM 51, CM 52	730
THERMOVAC Sensors TR 211, TR 211 NPT, TR 212, TR 216	734
PENNINGVAC Sensors PR 25 to PR 28	736
IONIVAC IM 540	738
IONIVAC Sensors IE 414 and IE 514	742

Additional Sensors

Linear Pressure Sensors DI/DU 200, DI/DU 201, DI/DU 2000, DI/DU 2001, DI/DU 2001 rel.	744
Older Sensors / Replacement Sensors	746

Pressure Switches and Control Instruments

Pressure Control System Move 750
Low Pressure Safety Switch PS 113 A 758
Pressure Switches PS 115 760
Switching Amplifier SV 110 762
Diaphragm Pressure Regulators MR 16 and MR 50. 764

Miscellaneous

Oerlikon Leybold Vacuum Calibration Service 766

VACVISION

Applications. 768

Products

Vacuum Controller **VACVISION** 770
Accessories for Vacuum Controller **VACVISION**. 772

Applications for Vacuum Gauges

Gauges	BOURDONVAC A	BOURDONVAC C	Capsule vacuum gauge	DI/VAC DV 1000	DI/VAC E	Handheld Measuring Instruments	CERAVAC transmitter CTR	CERAVAC transmitter CTR	CERAVAC transmitter CTR	IONIVAC transmitter CTR	IONIVAC transmitter CTR	IONIVAC IM 540	Pressure switch PS 113 A	Pressure switch PS 115	Diaphragm regulator MR
Mechanical engineering															
Automotive industry; filling of brake and air conditioning systems															
Vacuum conveying technology	■	■	■	■	■		■	■	■						■
Packaging technology			■	■	■		■							■	
Isolation vacuum	■		■	■	■	■	■	■						■	
Isolation vacuum															
Absolute pressure measurements in gas mixtures	■	■	■	■	■	■	■								
Drying and degassing processes		■		■	■		■								■
Solvent recovery				■	■			■							■
Vacuum pressure control in existing central vacuum supply systems								■							■
Electrics/electronics/optics															
Evaporation and coating systems						■	■	■	■						
Monitoring and controlling of sputter systems							■	■	■						
Semiconductor technology (CVD, plasma etching etc.)						■	■			■					
Ion implantation						■	■	■							
Lamp production		■		■	■	■	■								
Analytical instruments and surface physics															
ESCA, SIMS, AES, XPS							■	■	■	■					
Electron microscopy							■	■	■	■					
Crystal growing								■	■	■					
Gas analysis systems, mass spectrometers							■	■	■	■					
Research															
Measurement of ultimate pressure in UHV systems															■
Application in MBE systems									■	■	■				
Application in MBE systems											■				
Beam guidance systems, cyclotron									■		■				
Fusion experiments												■			
Space simulation chamber							■	■	■	■					
System control/pressure control															
Pressure checks on backing pumps and vacuum systems								■							■
Safety circuits in vacuum systems, protection of vacuum gate valves								■		■		■	■		
Control of ionization vacuum gauges								■							
Pressure measurements on HV pump systems, e.g. diffusion, TMP, cryopump systems								■	■	■	■				
Venting systems												■	■		
Valve control, pressure dependant systems control							■	■	■	■	■	■	■		
Simple pressure control arrangements					■		■		■				■	■	
Calibration															
Calibration of vacuum gauges and mass spectrometers					■							■			
Reference instruments for the determination of the physical properties of gases					■										
Precision measurements of low pressures also, in the presence of corrosive or reactive gases,					■										
Miscellaneous															
Vacuum annealing, melting, soldering and hardening furnaces					■			■	■	■					
Cooling and air conditioning technology					■	■	■	■							
Electron beam welding					■			■	■	■					
Metallurgy								■	■	■					

Select the Combination of Sensor and

Operating Ranges for Active Sensors

	mbar	10 ⁻¹²	10 ⁻¹¹	10 ⁻¹⁰	10 ⁻⁹	10 ⁻⁸	10 ⁻⁷	10 ⁻⁶	10 ⁻⁵	10 ⁻⁴	10 ⁻³	10 ⁻²	10 ⁻¹	10 ⁰	10 ¹	10 ²	10 ³
Capacitance Diaphragm																	
CERAVAC Transmitters (x = 2, 3, 4 or 5) ¹⁾																	
CTR 100													0.13			1330	→
CTR 100												0.013				133	
CTR 100											0.0013				13		
CTR 100									0.00013				1.3				
CTR 100								0.000013				0.13					
CTR 101													0.13			1330	→
CTR 101												0.013				133	
CTR 101											0.0013				13		
CTR 101									0.00013				1.3				
CTR 101								0.000013				0.13					
Thermal Conductivity (according to Pirani)																	
THERMOVAC Transmitters ¹⁾																	
TTR 101 (Pirani combined with capacitance diaphragm)											0.0005					1500	→
TTR 91											0.0005					1000	
TTR 96 S											0.0005					1000	
TTR 911											0.0005					1000	
TTR 911 CC											0.0005					1000	
TTR 916											0.0005					1000	
Cold Cathode Ionization (according to Penning)																	
PENNINGVAC Transmitters																	
PTR 225, DN 25 ISO-KF													0.01				
PTR 237, DN 40 CF													0.01				
PTR 90, DN 40 CF																1000	
PTR 90, DN 40 ISO-KF																1000	
PTR 90, DN 25 CF																1000	
Hot Cathode Ionization																	
IONIVAC Transmitters (Bayard-Alpert combined with Pirani) ¹⁾																	
ITR 90																1000	
ITR 200 with and without display																1000	
Linear Pressure Sensors ¹⁾																	
DI/DU 200 and 201													0.1			200	
DI/DU 2000 and 2001														1		2000	→
DI/DU 2001 rel.															-1000		+1000
Handheld Measurement Instruments																	
THERMOVAC Sensors																	
TM 90														1 x 10 ⁻²		1200	→
TM 101												5 x 10 ⁻⁴				1200	→

¹⁾ Different Part Numbers depend on the vacuum connection

Select the Combination of Sensor and

Operating Ranges for passive Sensors

	mbar	10 ⁻¹²	10 ⁻¹¹	10 ⁻¹⁰	10 ⁻⁹	10 ⁻⁸	10 ⁻⁷	10 ⁻⁶	10 ⁻⁵	10 ⁻⁴	10 ⁻³	10 ⁻²	10 ⁻¹	10 ⁰	10 ¹	10 ²	10 ³
Thermal Conductivity (according to Pirani)																	
THERMOVAC Sensors ¹⁾																	
TR 211											0.0005						1000
TR 211 NPT											0.0005						1000
TR 212											0.0005						1000
TR 216											0.0005						1000
Cold Cathode Ionization (according to Penning)																	
PENNINGVAC Sensors																	
PR 25					1 x 10 ⁻⁹						0.01						
PR 26					1 x 10 ⁻⁹						0.01						
PR 27					1 x 10 ⁻⁹						0.01						
PR 28					1 x 10 ⁻⁹						0.01						
IONIVAC Sensors																	
IE 414 (Bayard-Alpert)					2 x 10 ⁻¹¹						0.01						
IE 514 (Extractor)					1 x 10 ⁻¹²					0.0001							
	mbar	10 ⁻¹²	10 ⁻¹¹	10 ⁻¹⁰	10 ⁻⁹	10 ⁻⁸	10 ⁻⁷	10 ⁻⁶	10 ⁻⁵	10 ⁻⁴	10 ⁻³	10 ⁻²	10 ⁻¹	10 ⁰	10 ¹	10 ²	10 ³

¹⁾ Differences of the sensors in the same operating range caused by the materials in contact with the medium

Gauges which is ideal for your Application

Operating Units for passive Sensors

	IONIVAC	COMBIVAC					
	IM 540	CM 51	CM 52				
Part No. EURO	230 100	-	-				
Part No. US	230 100	-	-				
Part No. RS 232	-	230 110	230 115				
Part No. Profibus	-	230 111	230 116				
		1, 2	1, 2				
		1, 2	1, 2				
		1, 2	1, 2				
		1, 2	1, 2				
		3					
		3					
		3					
		3					
	1, 2	3	3				
	1, 2	3	3				

1, 2, 3 indicate the channel to which the sensor may be connected

Basic Terms of Vacuum Metrology

Today, the total range of vacuum pressure accessible to measurement extends from atmospheric pressure (about 1000 mbar (750 Torr)) down to 10^{-12} mbar/Torr, i.e. it extends over 15 powers of ten. The instruments used for measuring the pressure within this wide range are called vacuum gauges. For physical reasons it is not possible to create a single vacuum sensor through which it might be possible to perform quantitative measurements within the entire pressure range. Therefore, a variety of different vacuum gauges are available, each with their own characteristic measurement range which commonly extends over several powers of ten. A difference is made between direct and indirect pressure measurements. In the case of direct (or absolute) pressure measurements, the readings obtained through the vacuum gauge are independent of the type of gas and the pressure which is to be measured. Common are so-called mechanical vacuum gauges where the pressure is determined directly by recording the force acting on the surface of a diaphragm. In the case of so-called indirect pressure measurements the pressure is determined as a function of a pressure dependant property of the gas (thermal conductivity, ionization probability, for example). These properties do not only depend on the pressure, but also on the molar mass of the gases. For this reason, the pressure readings obtained through vacuum gauges which rely on indirect pressure measurements, depend on the type of gas. The readings usually relate to air or nitrogen as the measurement gas. For the measurement of other vapors or gases the corresponding correction factors must be applied.

Vacuum Gauges where the Pressure Readings are Independent of the Type of Gas (Mechanical Vacuum Gauges)

BOURDON Vacuum Gauge

The inside of a tube which is bent into a circular arc (the so-called Bourdon tube) is connected to the vacuum system. Due to the effect of the external atmospheric pressure, the end of the tube bends more or less during the evacuation process. This actuates the pointer arrangement which is attached to this point. The corresponding pressure can be read off on a linear scale. With Bourdon gauges it is possible to roughly determine pressures between 10 mbar (7.5 Torr) and atmospheric pressure.

Capsule Vacuum Gauge

This vacuum gauge contains a hermetically sealed, evacuated, thinwalled diaphragm capsule which is located within the instrument. As the vacuum pressure reduces, the capsule bulges. This movement is transferred via a system of levers to a pointer and can then be read off as the pressure on a linear scale.

Diaphragm Vacuum Gauge

In the case of the diaphragm vacuum gauge which is capable of absolute pressure measurements, a sealed and evacuated vacuum chamber is separated by a diaphragm from the vacuum pressure to be measured. This serves as the reference quantity.

With increasing evacuation, the difference between the pressure which is to be measured and the pressure within the reference chamber becomes less, causing the diaphragm flex. This flexure may be transferred by mechanical means like a lever, for example, to a pointer and scale, or electrically by means of a strain gauge or a bending bar for conversion into an electrical measurement signal. The measurement range of such diaphragm vacuum gauges extends from 1 mbar (0.75 Torr) to over 2000 mbar (1500 Torr).

Capacitance Vacuum Gauge

The pressure sensitive diaphragm of these capacitive absolute pressure sensors is made of Al_2O_3 ceramics. The term "capacitive measurement" means that a plate capacitor is created by the diaphragm with a fixed electrode behind the diaphragm. When the distance between the two plates of this capacitor changes, a change in capacitance will result. This change, which is proportional to the pressure, is then converted into a corresponding electrical measurement signal. Here too, an evacuated reference chamber serves as the reference for the pressure measurements. With capacitance gauges it is possible to accurately measure pressures from 10^{-5} mbar/Torr to well above atmospheric pressure, whereby different capacitance gauges having diaphragms of different thickness (and therefore sensitivity) will have to be used.

Vacuum Gauges where the Pressure Readings depend of the Type of Gas

Thermal Conductivity Gauge (Pirani)

This measurement principle utilizes the thermal conductivity of gases for the purpose of pressure measurements in the range from 10^{-4} mbar/Torr to atmospheric pressure. Today, only the principle of the controlled Pirani gauge is used by Oerlikon Leybold Vacuum in order to attain a quick response. The filament within the gauge head forms one arm of a Wheatstone bridge. The heating voltage which is applied to the bridge is controlled in such a way, that the filament resistance and thus the temperature of the filament remains constant regardless of the quantity of heat given off by the filament. Since the heat transfer from the filament to the gas increases with increasing pressures, the voltage across the bridge is a measure of the pressure.

Improvements with regard to temperature compensation have resulted in stable pressure readings also in the face of large temperature changes, in particular when measuring low pressures.

Cold Cathode Ionization Vacuum Gauge (Penning)

Here the pressure is measured through a gas discharge within a gauge head whereby the gas discharge is ignited by applying a high tension. The resulting ion current is output as a signal which is proportional to the prevailing pressure. The gas discharge is maintained also at low pressures with the aid of a magnet.

New concepts for the design of such sensors permit safe and reliable operation of these so-called Penning sensors in the pressure range from 10^{-2} to 1×10^{-9} mbar/Torr.

Cold Cathode Ionization Vacuum Gauge (Penning)

These sensors commonly use three electrodes. A hot cathode emits electrons which impinge on an anode. The gas, the pressure of which is to be measured, is thus ionized. The resulting positive ion current is detected through the third electrode - the so-called ion detector - and this current is used as the signal which is proportional to the pressure.

The hot cathode sensors which are mostly used today, are based on the Bayard-Alpert principle. With this electrode arrangement it is possible to make measurements in the pressure range from 10^{-10} to 10^{-2} mbar/Torr.

Other electrode arrangements permit access to a higher range of pressures from 10^{-1} mbar/Torr down to 10^{-10} mbar/Torr. For the measurement of pressures below 10^{-10} mbar/Torr so-called extractor ionization sensors after Redhead are employed. In extractor ionization gauges the created ions are focused onto a very thin and short ion detector. Due to the geometrical arrangement of this system, interfering influences such as X-ray effects and ion desorption can be almost completely eliminated. The extractor ionization gauge permits pressure measurements in the range from 10^{-4} to 10^{-12} mbar/Torr.

Selection of the right Vacuum Gauge

When selecting a suitable instrument for pressure measurements, the pressure range is not the only criteria. The operating conditions for the instrument play an important part. If, for example, there is the risk of excessive contamination, vibrations, or if air inrushes are to be expected etc., the instrument must be rugged enough. Thus for industrial applications diaphragm gauges, controlled thermal conductivity gauges as well as cold cathode ionization gauges after Penning are strongly recommended. Precision instruments are very often quite sensitive to rough operating conditions. These should therefore only be used while observing the corresponding applications information.

Connection Accessories for Small Flanges

Ordering Information

DN 10 ISO-KF

DN 16 ISO-KF

DN 25 ISO-KF

	Part No.	Part No.	Part No.
Outer centering ring with O-ring Aluminum / FPM (FKM) ((Viton))	183 53	183 53	183 54
Fine filter on centering ring with O-ring Stainless steel / FPM (FKM) ((Viton))	883 95	883 96	883 97
Baffle with centering ring (FPM) ((FKM))	-	-	230 078
Connection accessories for metal seals or bake out room up to 150 °C			
Ultra sealing ring, aluminum (Set of 3)	883 73	883 73	883 75
Outer support ring	883 74	883 74	883 76
Clamping ring	882 75	882 75	882 77

Ordering Information

DN 40 ISO-KF

DN 16 CF

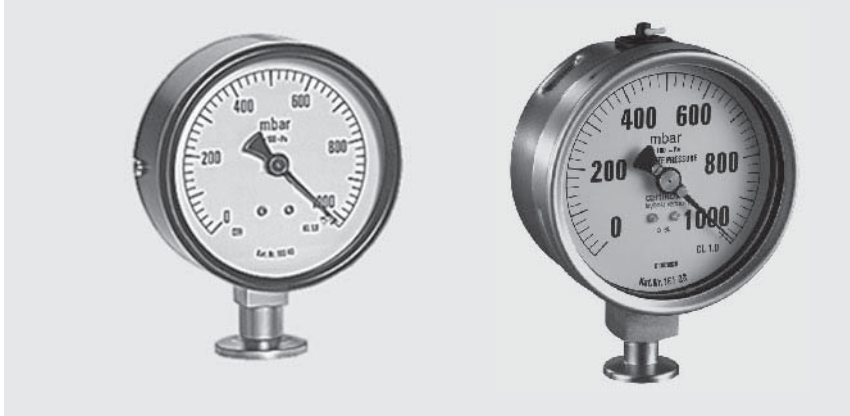
DN 40 CF

	Part No.	Part No.	Part No.
Outer centering ring with O-ring Aluminum / FPM (FKM) ((Viton))	183 55	-	-
Fine filter on centering ring with O-ring Stainless steel / FPM (FKM) ((Viton))	883 98	-	-
Baffle with centering ring (FPM) ((FKM))	230 079	-	-
Connection accessories for metal seals or bake out room up to 150 °C			
Ultra sealing ring, aluminum (Set of 3)	883 77	-	-
Outer support ring	883 78	-	-
Clamping ring	882 78	-	-
Connection accessories for CF connections			
Copper seals, (set of 10 pieces)	-	839 41	839 43
Screw (set of 25 pieces)	-	839 00	839 01
Replacement sinter filter with centering ring	231 93 515	-	-

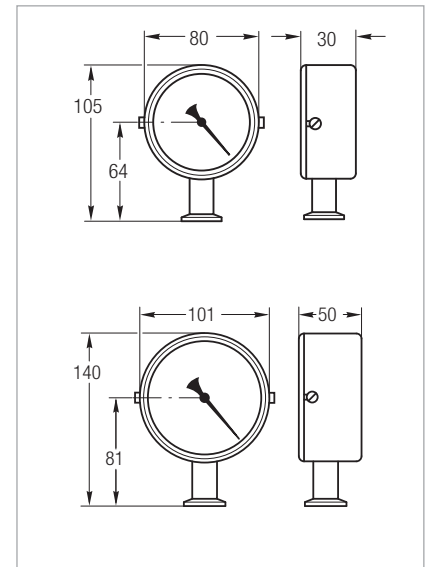
Products

Mechanical Gauges

Bourdon Vacuum Gauges



Rugged relative pressure vacuum gauges based on the Bourdon principle covering the pressure range from 1 to 1020 mbar (0.75 to 765 Torr).



Dimensional drawing for the BOURDONVAC A (top) and the BOURDONVAC C (bottom)

Advantages to the User

- Highly reliable, rugged, insensitive to vibrations
- Linear readout, independent of the type of gas
- Excellent media compatibility owing to the stainless steel movement (BOURDONVAC C)
- IP 54 protection (BOURDONVAC C)

Typical Applications

- Vacuum distillation
- Drying processes
- Vacuum conveying systems

Technical Data

BOURDONVAC A

BOURDONVAC C

Measurement range	mbar (Torr)	1 to 1020 (0.75 to 765)	1 to 1020 (0.75 to 765)
Measurement uncertainty	% FS	1	1
Class 1 (EN 837)	% FS	1	1
Overload range (abs. briefly)	bar	1.5	1.3
Storage temperature range	°C	-25 to +60	-25 to +60
Nominal temperature range	°C	+10 to +60	+10 to +100 (max.)
Flange connection	DN	16 ISO-KF	16 ISO-KF
Length of scale	mm	207	188
Diameter	mm	80	101
Overall height	mm	105	140
Weight	kg (lbs)	0.25 (0.55)	0.5 (1.10)
Leak tightness	mbar x l/s	1×10^{-8}	1×10^{-8}
Materials in contact with the medium		Nickel plated standard steel, bronze, soft solder	Stainless steel 1.4404

Ordering Information

BOURDONVAC A

BOURDONVAC C

	Part No.	Part No.
Bourdon vacuum gauge	160 40	161 20

Capsule Vacuum Gauges



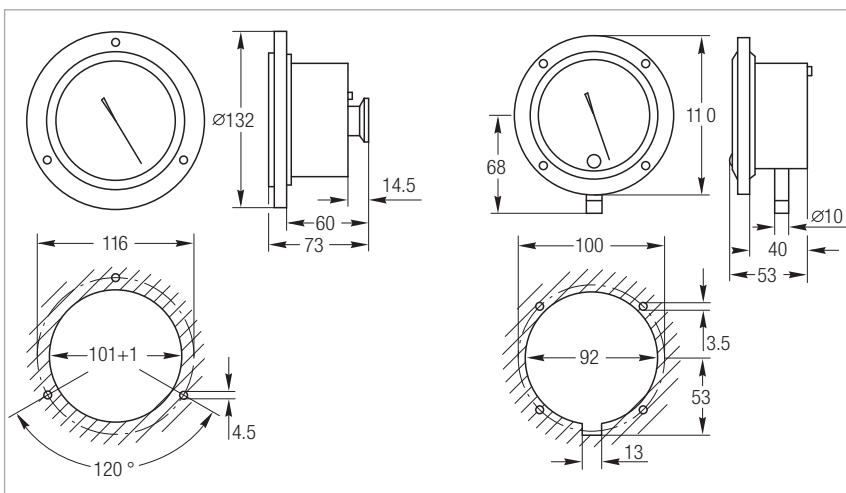
Rugged absolute pressure gauges for the pressure range from 1 to 1000 mbar (0.75 to 750 Torr).

Advantages to the User

- Rugged and insensitive to vibrations
- Models available for two measurement ranges (1 to 100 mbar (0.75 to 75 Torr) and 1 to 1000 mbar (0.75 to 750 Torr))
- Readout independent of the type of gas and changes in atmospheric pressure
- Linear pressure readout
- Installation direct via the connection flange or panel mounting
- Model with integrated isolation valve for use on packaging machines (Part No. 160 68)

Typical Applications

- Measurement of absolute pressures (for inert gases only)
- Vacuum conveying systems
- Operation monitoring
- Packaging



Dimensional drawings for the capsule vacuum gauges
Part Nos. 160 63/64 (left) and Part No. 160 68 (right)

Technical Data

Capsule Vacuum Gauge

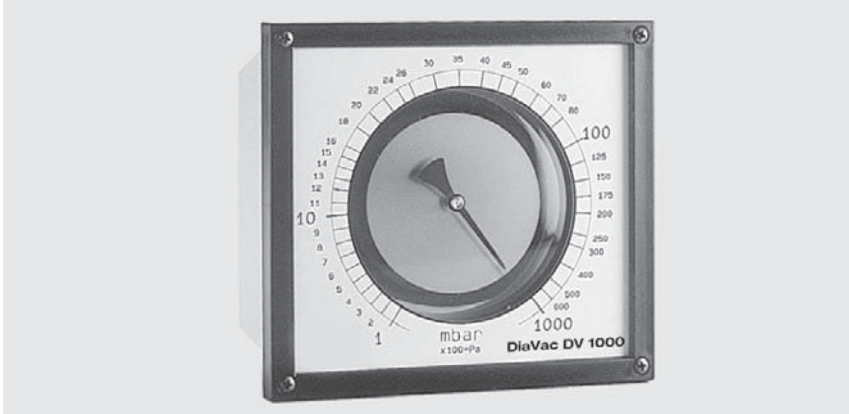
Measurement range	mbar (Torr)	1 to 100 (0.75 to 75)	1 to 100 (0.75 to 75)	1 to 1000 (0.75 to 750)
Measurement uncertainty	% FS	1.0	2.5	1.6
Overload range (abs. briefly)	bar	1.5	1.5	1.5
Storage temperature range	°C	-25 to +60	-25 to +60	-25 to +60
Nominal temperature range	°C	+10 to +50	+10 to +50	+10 to +50
Length of scale	mm	205	180	205
Dead volume, approx.	cm ³	235	167	235
Diameter	mm	132	110	132
Weight	kg (lbs)	0.7 (1.54)	0.6 (1.32)	0.7 (1.54)
Vacuum connection	DN	16 ISO-KF	10 mm dia. hose nozzle with integrated isolation valve	16 ISO-KF
Max. inclination when installed		45°	45°	45°
Materials in contact with the medium		Brass Standard steel nickel plated Glass NBR Aluminum Copper beryllium Soft and hard solder Resin	Brass Standard steel nickel plated Glass NBR Aluminum Copper beryllium Soft and hard solder Resin	Brass Standard steel nickel plated Glass NBR Aluminum Copper beryllium Soft and hard solder Resin

Ordering Information

Capsule Vacuum Gauge

	Part No.	Part No.	Part No.
Capsule vacuum gauge	160 63	160 68	160 64

Diaphragm Vacuum Gauge DIAVAC DV 1000



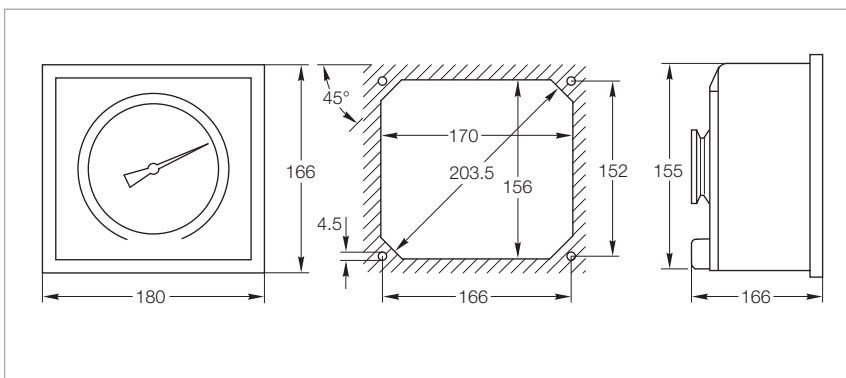
Rugged mechanical diaphragm vacuum gauge of high accuracy for the rough vacuum range from 1 to 1000 mbar (1 to 750 Torr).

Advantages to the User

- Wide measurement range from 1 to 1000 mbar (1 to 750 Torr) with high resolution in the range from 1 to 100 mbar (1 to 75 Torr)
- The scale of each gauge is individually calibrated
- Absolute pressure gauge
- Readout independent of the type of gas and changes in atmospheric pressure
- Stainless steel diaphragm for excellent compatibility with most media
- Laser welding technology for high precision diaphragm mount
- Rugged table-top housing, can be freely mounted above the flange connection; also for panel mounting
- Measurement chamber can be easily cleaned owing to the detachable measurement flange

Typical Applications

- Chemical processes
- Vacuum distillation
- Absolute pressure measurements for gas mixtures
- For use in explosion hazard rated areas
- Drying processes
- Lamp manufacture



Dimensional drawing and panel cut-out for the DIAVAC DV 1000

Technical Data

DIAVAC DV 1000

Measurement range	mbar (Torr)	1 to 1000 (1 to 750)
Measurement uncertainty		
1 - 10 mbar (1.0 - 7.5 Torr)		±1 mbar (Torr)
10 - 1000 mbar (7.5 - 750 Torr)		± 10% of meas. value
Storage temperature range	°C	-10 to +60
Nominal temperature range	°C	0 to +60
Permissible overload (abs.)	bar	3
Length of scale	mm	270
Dead volume	cm ³	130
Vacuum connection	DN	40 ISO-KF
Dimension (W x H x D)	mm	180 x 166 x 100
Weight	kg (lbs)	2.7 (5.95)
Materials in contact with the medium		Stainless steel 1.4301, 1.4310 (diaphragm), FPM (FKM)

Ordering Information

DIAVAC DV 1000

	Part No.
DIAVAC DV 1000	
mbar readout	160 67 ¹⁾
Torr readout	896 06 ¹⁾
DAkS calibration	157 12
Replacement sinter filter with centering ring, DN 40 ISO-KF	231 93 515
Replacement housing, complete	240 000

¹⁾ Complete with centering ring and sintered filter

Diaphragm Vacuum Gauge DIAVAC E



The DIAVAC E is a fully electronic, versatile vacuum gauge for the measuring range from atmospheric pressure to 1 mbar/Torr.

The DIAVAC E has an integrated vacuum sensor made of alumina ceramic with outstanding corrosion resistance and superior long-term stability. A particular advantage is its cordless, battery-powered operation. Its simple operation and the combined digital/analog vacuum reading for precise

readout and quick trend detection, respectively, make the DIAVAC E very versatile.

Advantages to the User

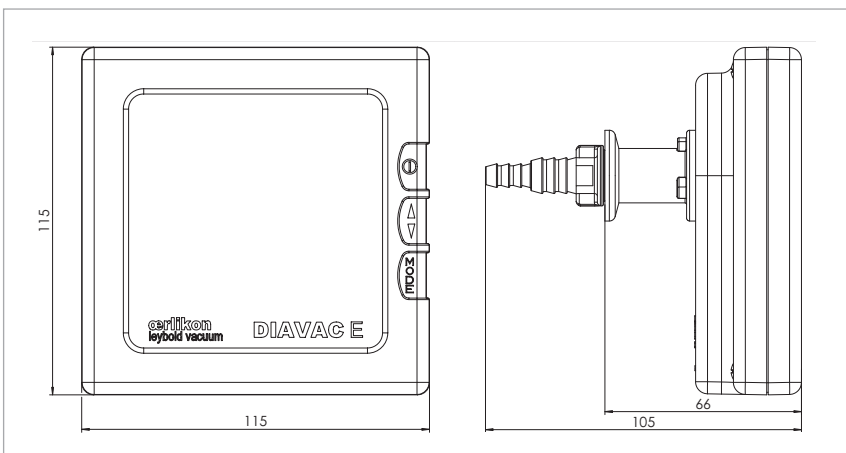
- High electromagnetic compatibility: Low emission level near detection limit, high degree of immunity to electromagnetic interference for use in industrial environments
- Large analog and digital vacuum display: Quick trend detection, precise readout
- User-selectable pressure units (mbar, hPa, Torr)
- Digital readjustment
- Capacitive alumina ceramic diaphragm vacuum sensor with excellent chemical resistance, accuracy and long term stability

Typical Applications

- Chemical process engineering
- Commissioning of vacuum systems
- Inspection and maintenance of vacuum pumps and systems

Supplied Equipment

Vacuum gauge complete with integrated vacuum sensor and battery, ready for use, with manual.



Dimensional drawing for the DIAVAC E

Technical Data

DIAVAC E

Measurement range	mbar (Torr)	1 (1) to 1080 (810)
Measurement uncertainty		< ±1 mbar/hPa/Torr / ±1 digit (after alignment, constant temperature)
Temperature dependence		< 0.07 mbar/hPa / 0.05 Torr/K
Measurement cycle		Selectable: automatically or 1x per 3s, 1x pe 1s, 3x per 1s
Automatic switch off		Selectable: 1-1000 min (factory default 15 min) or continuous operation
Storage temperature range	°C	-10 to +60
Nominal temperature range	°C	+10 to +40
Maximum media temperature		
continuous operation	°C	+40
short operation	°C	+80
Power supply		9 V lithium battery, 1.2 Ah Ultra-life U9VL
Battery life		
typical	h	8.000
standby	h	40.000
Protection class		IP 40
Dimension (W x H x D)	mm	115 x 115 x 66
Weight	kg (lbs)	9 V lithium battery, 1.2 Ah Ultra-life U9VL5

Ordering Information

DIAVAC E

	Part No.
DIAVAC E Ready for operation with pressure sensor and battery, including Operating Instructions	245008V01
Rubber vacuum tubing for DN 10 mm 1000 mm, caoutchouc	172 02
Rubber vacuum tubing for DN 16 ISO-KF 1000 mm	172 03
DAkkS calibration	157 12
Factory calibration	157 22

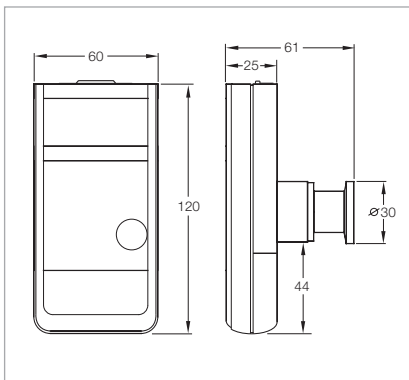
Handheld Measuring Instruments

Digital THERMOVAC Sensor TM 101



The digital compact THERMOVAC TM 101 combines high-quality sensor technology with modern process technology in a handy design. The THERMOVAC TM 101 can operate optionally as a datalogger saving the pressure data during the measurement. Of course a subsequent simple transfer to a PC is possible via a USB.

The fully electronic THERMOVAC TM 101 is capable of measuring pressures within the pressure range of 1200 to 5×10^{-4} mbar (900 to 3.75×10^{-4} Torr) (7 decades). By combining a piezo-resistive pressure sensor for the upper and a Pirani sensor for the lower pressure range, the measurements made by the THERMOVAC TM 101 are independent of the type of gas above pressures of 15 mbar (11.25 Torr). Especially noteworthy is the exceptionally long battery life.



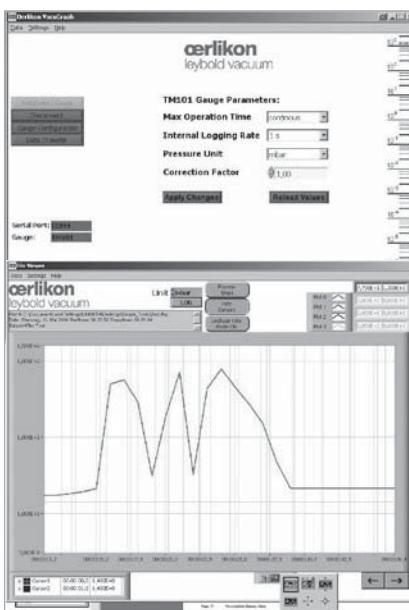
Dimensional drawings for the THERMOVAC TM 101

Advantages to the User

- Utilization is directly possible in a vacuum
- Measurement range 1200 to 5×10^{-4} mbar (7 decades)
- Adjustable gas type correction factor
- Pressure measurements above 15 mbar (11.25 Torr) are independent of the type of gas
- Pressure unit of measurement selectable between mbar, Torr and Pascal
- Large 4 digit 7 segment display
- Cordless power supply through a standard 9 V battery
- Data logging function with USB interface and internal memory for up to 2000 measured values
- Minimum and maximum memory function
- Online measurements via USB are possible
- Measurement data can be exported by way of ASCII text to Microsoft Excel, for example
- Protection class IP 40

Typical Applications

- Mobile pressure measurements of all kinds
- Checking and setting up of vacuum systems
- Ensuring operation and quality of vacuum pumps
- Maintenance and service
- Graphic representation of pump-down curves
- Coating systems
- Pressure measurements
 - on evaporators and vacuum melting furnaces
 - in chemical process engineering
 - on refrigerating and air-conditioning systems before filling in the refrigerant
 - during the production of gas filled pressurised lamps, respectively refilling
- Leak tests



Windows Software VacuGraph

Technical Data

THERMOVAC Sensor

TM 101

Measurement principle	Piezo-resistive (gas-type independent) and thermal conductance Pirani	
Indicated units of measurement	mbar, Torr, microns, Pa	
Measurement range	mbar (Torr)	1200 to 5×10^{-4} (900 to 3.75×10^{-4})
Maximum overload	bar abs.	2
Accuracy		
1200 to 10 mbar (900 to 75 Torr)	%	± 0.3 of full-scale
10 to 2×10^{-3} mbar (7.5 to 1.5×10^{-3} Torr)	approx. %	10 of measured value
$< 2 \times 10^{-3}$ mbar ($< 1.5 \times 10^{-3}$ Torr)	approx. %	< factor 2
Materials in contact with the vacuum	Stainless steel, gold, tungsten, nickel, glass, Viton	
Measurement cycle	s	1.6
Data storing rate	s	1 to 999
Operating temperature		
TM 101	°C	+5 to +50
Battery	°C	-20 to +45
Storage temperature		
TM 101	°C	-20 to +60
Battery	°C	+10 to +25
Supply voltage	Rechargeable 9 V battery (recommendation: type Panasonic 6LR61PM, 9 V / 500 mAh) or 12 V AC adaptor (miniature jack, + terminal at the tip)	
Power consumption		
< 200 mbar (< 150 Torr)	mW	60
> 200 mbar (> 150 Torr)	mW	0.5
Operating duration		
6LR61 alkaline (vacuum operation)	h	up to 75
Display		LCD 12 mm
Connection (stainless steel)	DN	16 ISO-KF
PC interface		Mini USB-B connector
Dimensions (without flange)	mm	60 x 120 x 61
Protection class	IP	40
Weight (including battery)	kg (lbs)	0.23 (0.51)

Ordering Information

THERMOVAC Sensor

TM 101

	Part No.
TM 101, DN 16 ISO-KF Including AIMn battery, 9 V block 6LR 61	230 081 V01
Accessory kit for VacuGraph Windows software including USB interface cable (2 m) protection case with foam insert and 15 V wall power supply for 100 - 260 V, 50/60 Hz mains and AIMn battery, 9 V block 6LR 61	230 082 V01

Active Sensors

CERAVAC Transmitters CTR 100 and CTR 101



The CERAVAC Transmitter with its diaphragm made of pure aluminium oxide ceramics offers excellent accuracy and reproducibility.

Advantages to the User

- Excellent accuracy
- Corrosion resistant
- High resolution
- Very good temperature stability
- Electrically and mechanically compatible with the conventional capacitance manometers with stainless steel diaphragm
- Heated and unheated types are available
- RS 232 C interface

Typical Applications

- Excellent accuracy
- Corrosion resistant
- High resolution
- Very good temperature stability
- Electrically and mechanically compatible with the conventional capacitance manometers with stainless steel diaphragm
- Heated and unheated types are available
- RS 232 C interface

The Ceramics Diaphragm

The stiffness of aluminium oxide ceramics is greater than that of metal so that the ceramics material offer improved long term stability characteristics when exposed to frequent pressure changes or overpressures. The aluminum oxide ceramics diaphragm of the CERAVAC sensors is capable of returning precisely to its initial position with respect to a certain pressure so that the measurements will be highly reproducible.

Since the diaphragm is not impaired by overpressures or frequent pressure changes, no blocking valves will be required – a significant contribution towards reducing costs.

Moreover, aluminium oxide ceramics diaphragms return faster to their initial position compared to metal diaphragms; the time need between the processes for the measurement to stabilise is reduced. This is particularly important in the case of measurements close to zero where metal diaphragms

take several minutes to return to their rest position.

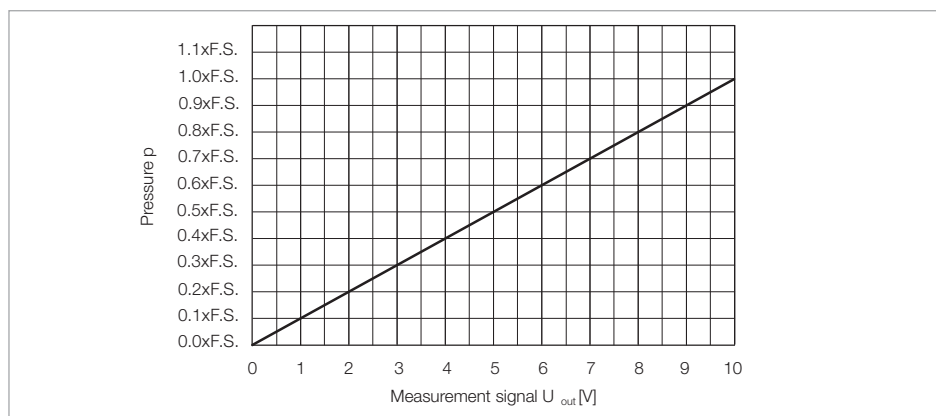
Whereas metal diaphragms suffer from residual tensions and unavoidable irregularities due to their production process, diaphragms made of aluminium oxide ceramics are exceptionally homogeneous, and owing to the firing process at 2500 °C entirely free of tensions. This considerably reduces part to part variations in the sensors.

Technical Data

CERAVAC Transmitter

CTR 100 (Temperature Compensated)

Full scale (FS) / Measurement range	0.1 Torr / 1×10^{-5} - 0.1 Torr 1 Torr / 1×10^{-4} - 1 Torr Pressure Units: 1 Torr = 1.33 mbar = 133 Pascal	10 Torr / 1×10^{-3} - 10 Torr 100 Torr / 0.01 - 100 Torr 1000 Torr / 0.1 - 1000 Torr Pressure Units: 1 Torr = 1.33 mbar = 133 Pascal
Materials in contact with the medium	Ceramic (Al ₂ O ₃), stainless steel 316, Vacon 70	Ceramic (Al ₂ O ₃), stainless steel 316, Vacon 70
Max. overrange pressure	2000 Torr for 1/10/100 Torr sensors, 3000 Torr for 1000 Torr sensors	2000 Torr for 1/10/100 Torr sensors, 3000 Torr for 1000 Torr sensors
Measurement uncertainty	0.2% of reading ± temperature effect	0.2% of reading ± temperature effect
Resolution	0.003% of Full scale for 0.1/1 Torr sensors.	0.003% of Full scale for 10/100/1000 Torr sensors
Temperature effects		
Zero coefficient	%/°C 0.015 of Full scale (1 Torr) 0.02 of Full scale (0.1 Torr)	0.005 of Full scale
Span coefficient	%/°C 0.01 of reading (1 Torr) 0.03 of reading (0.1 Torr)	0.01 of reading
Response time	ms ≤ 30	≤ 30
Nominal temperature range	°C +5 to +50	+5 to +50
Supply voltage	V DC +14 to +30	+14 to +30
Power consumption	W ≤ 1	≤ 1
Signal output	V 0 - 10; linear	0 - 10; linear
Interface	RS 232 C	RS 232 C
Weight, approx.	kg (lbs) 0.33 (0.73)	0.33 (0.73)
Dead volume	cm ³ 6	6
Connection cable	see chapter "Products", para. "Connection Cable for Active Sensors"	see chapter "Products", para. "Connection Cable for Active Sensors"
Calibration	see chapter "Miscellaneous", para. "Oerlikon Leybold Vacuum Calibration Service"	see chapter "Miscellaneous", para. "Oerlikon Leybold Vacuum Calibration Service"



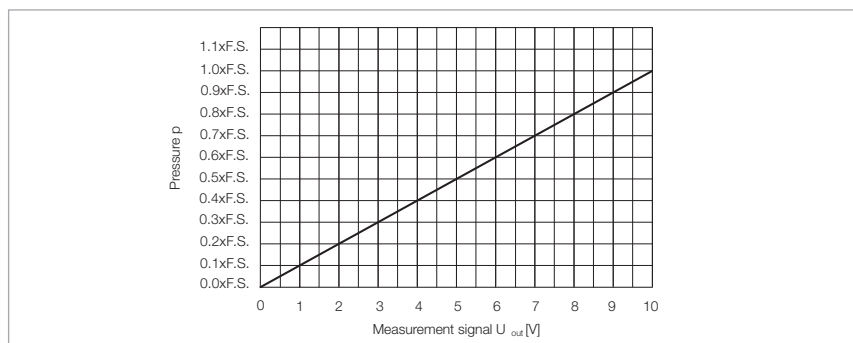
Characteristic of the CERAVAC Transmitter CTR 101

Technical Data

CERAVAC Transmitter

CTR 101 (45 °C heated)

Full scale (FS) / Measurement range	0.1 Torr / 1×10^{-5} - 0.1 Torr Pressure Units: 1 Torr = 1.33 mbar = 133 Pascal	1 Torr / 1×10^{-4} - 1 Torr 10 Torr / 1×10^{-3} - 10 Torr 100 Torr / 0,01 - 100 Torr 1000 Torr / 0,1 - 1000 Torr Pressure Units: 1 Torr = 1.33 mbar = 133 Pascal
Materials in contact with the medium	Ceramic (Al ₂ O ₃), stainless steel 316, Vacon 70	Ceramic (Al ₂ O ₃), stainless steel 316, Vacon 70
Max. overrange pressure	1000 Torr for 0.1 Torr sensors	2000 Torr for 1/10/100 Torr sensors, 3000 Torr for 1000 Torr sensors
Measurement uncertainty	0.2% of reading ± temperature effect	0.15% of reading ± temperature effect
Resolution	0.0025% of Full scale for 0.1 Torr sensors	0.0025% of Full scale for 1 Torr sensors 0.0015% of Full scale for 10/100/1000 Torr sensors
Temperature effects		
Zero coefficient	%/°C	0.005 of Full scale
Span coefficient	%/°C	0.01 of reading
Rating	ms	≤ 30
Nominal temperature range	°C	+15 to +40
Supply voltage	V DC	either ±15 or +24
Power consumption	W	≤ 19
Signal output	V	0 - 10; linear
Weight, approx.	kg (lbs)	0.89 (1.97)
Dead volume	cm ³	6
Connection cable	see chapter "Products", para. "Connection Cable for Active Sensors"	see chapter "Products", para. "Connection Cable for Active Sensors"
Calibration	see chapter "Miscellaneous", para. "Oerlikon Leybold Vacuum Calibration Service"	see chapter "Miscellaneous", para. "Oerlikon Leybold Vacuum Calibration Service"

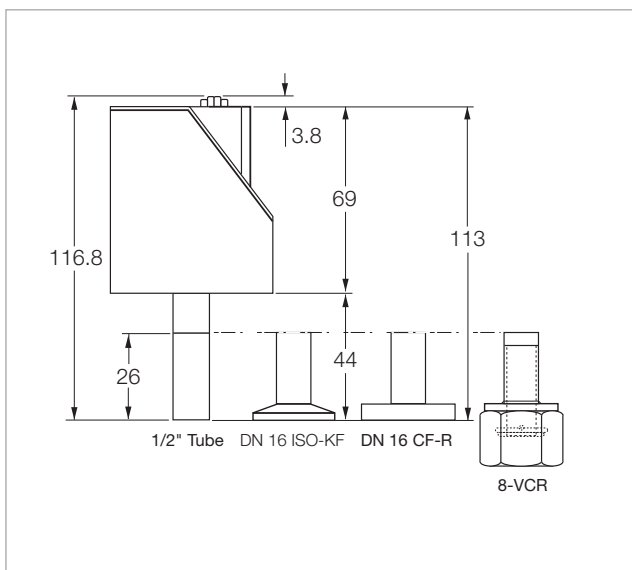


Characteristic of the THERMOVAC Transmitter CTR 101

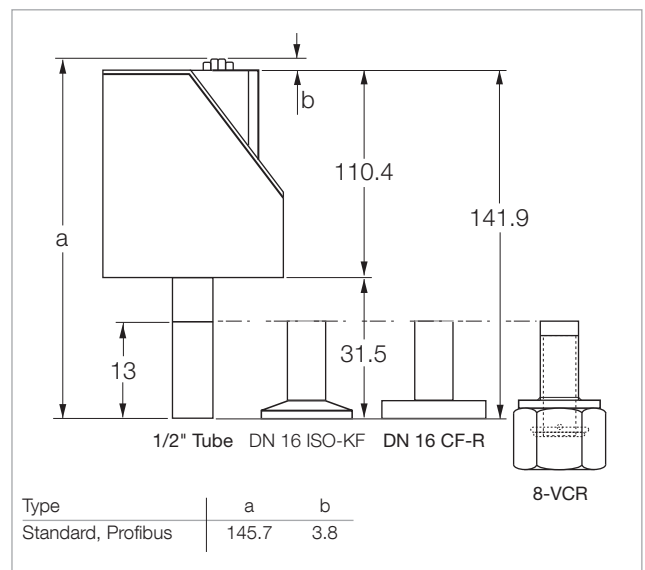
Ordering Information

CERAVAC Transmitter

	CTR 100	CTR 101
	Part No.	Part No.
DN 16 ISO-KF		
1000 Torr	230 300	230 320
100 Torr	230 301	230 321
20 Torr	230 340 V01	-
10 Torr	230 302	230 322
1 Torr	230 303	230 323
0.1 Torr	230 304 V01	230 324
DN 16 CF-R		
1000 Torr	230 305	230 325
100 Torr	230 306	230 326
10 Torr	230 307	230 327
1 Torr	230 308	230 328
0.1 Torr	230 309 V01	230 329
Cajon 8-VCR		
1000 Torr	230 310	230 330
100 Torr	230 311	230 331
10 Torr	230 312	230 332
1 Torr	230 313	230 333
0.1 Torr	230 314 V01	230 334
1/2" Tube		
1000 Torr	230 315	230 335
100 Torr	230 316	230 336
10 Torr	230 317	230 337
1 Torr	230 318	230 338
0.1 Torr	230 319 V01	230 339
Accessories	The installation of a spiral tube is recommended in connection with applications involving contamination (oil vapors or dusts)	The installation of a spiral tube is recommended in connection with applications involving contamination (oil vapors or dusts)



Dimensional drawing for the CERAVAC Transmitter CTR 100



Dimensional drawing for the CERAVAC Transmitter CTR 101

THERMOVAC Transmitters

TTR 91 / TTR 91 S / TTR 96 S



THERMOVAC transmitters are active sensors (pressure to voltage converters) using thermal conductivity according to Pirani.

The further developed THERMOVAC transmitters have optimized price-to-performance ratio.

The value of the trigger point (TTR 91 S) can be switched easily on the analog output and be shown on the display of the operating unit.

Advantages to the User

- Rugged sensing cells made of stainless steel
- Compact design
- Stable measurements within a wide temperature range
- Highly resistant to overpressures
- Exchangeable sensing cells
- Fast response
- Available with integrated switching relay (TTR 91 S, TTR 96 S)
- TTR 91 (Part No. 230 035) is GOST standard compliant

Typical Applications

- Analytical engineering
- Safety circuits in vacuum systems
- Controlling ionization gauges
- General pressure measurement and control on systems in the fine and rough vacuum range

Sensor

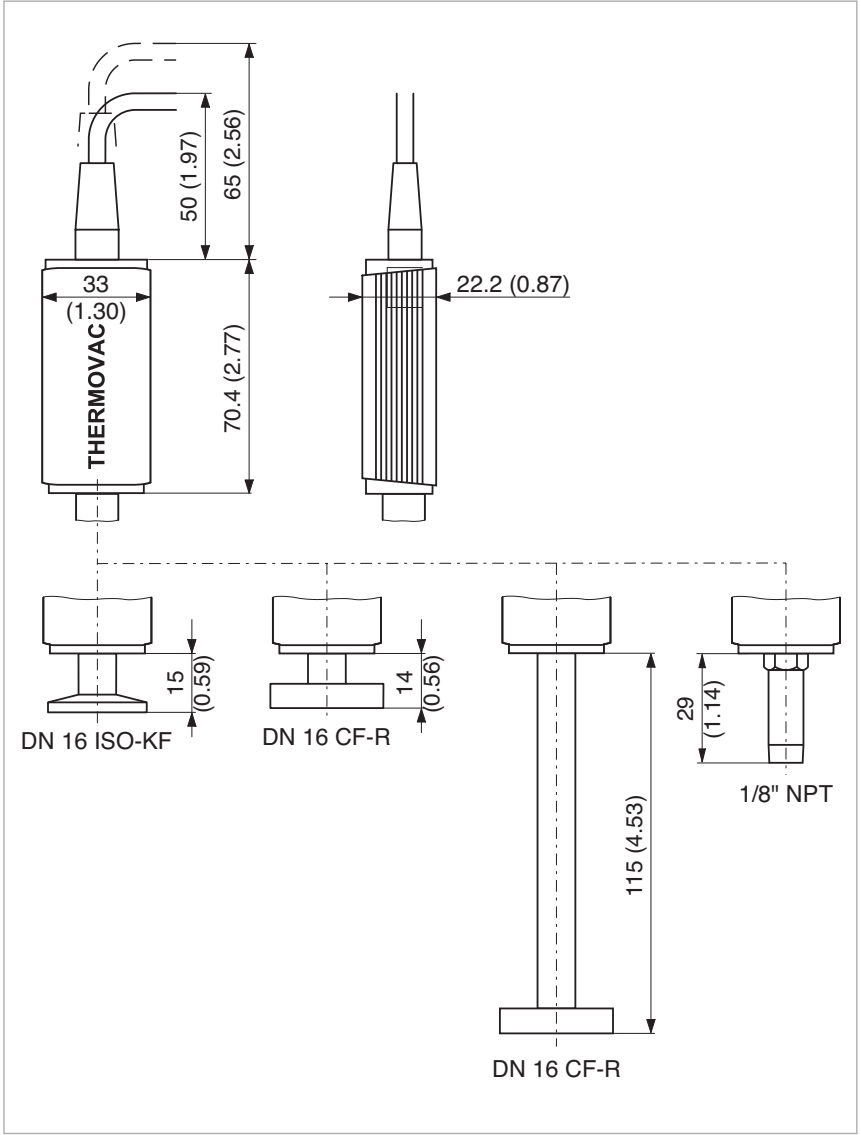
The THERMOVAC transmitter has a Pirani sensing cell equipped with a tungsten (TTR 91/TTR 91 S) or nickel (TTR 96 S) filament.

If required, the sensing cells can easily be aligned to any precisely known pressure value (atmospheric, "Zero", reference pressure) by pressing a button.

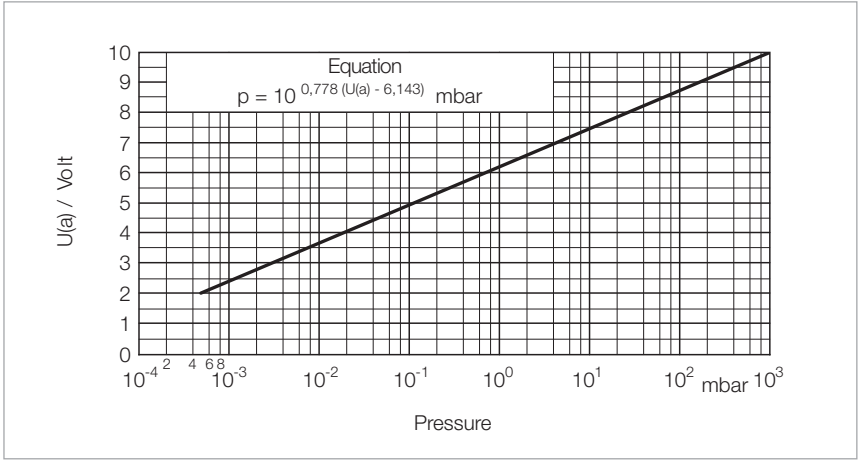
Integration of the transmitters in programmable control systems is facilitated by the linear characteristic, which can be defined by entering a simple equation into the computer.

The transmitters TTR 91 / TTR 91 S / TTR 96 S are compatible to older TTR models like TTR 211, TTR 216 S or TTR 90.

Built-in relays allow switching functions to be performed directly by the transmitter, without the need of a programmable control.



Dimensional drawing for the TTR 91 / TTR 91 S / TTR 96 S (measures in brackets are in inch)



Characteristic of the THERMOVAC Transmitters TTR 91 / TTR 91 S / TTR 96 S

Technical Data

THERMOVAC Transmitter TTR 91 / TTR 91 S / TTR 96 S

Measurement range	mbar (Torr)	5×10^{-4} to 1000 (3.75×10^{-4} to 750)
Measurement uncertainty		15% in the range 1×10^{-3} to 100 mbar (0.75×10^{-3} to 75 Torr)
Measurement principle		Thermal conductivity according to Pirani
Supply voltage		14 to 30 V DC Hum voltage $\leq 1 V_{ss}$
Power consumption	VA	≤ 1
Storage temperature range	°C	-20 to +65
Nominal temperature range	°C	+5 to +60
Max. rel. humidity	% n.c.	≤ 80
Protection class		IP 40
Weight, approx., for DN 16 ISO-KF	kg (lbs)	0.08 (0.18)
Sensor		Exchangeable sensing cell
Bake out temperature, max.	°C	80 (250 with long tube)
Dead volume, approx.	cm ³	2 (10 with long tube)
Materials in contact with the medium the filament		Stainless steel, Nickel, Glass, NiFe Tungsten (TTR 91, TTR 91 S) or Nickel (TTR 96 S)
Overpressure rating (abs.)	bar	10
Signal output ($R_a > 10 \text{ k}\Omega$) Measurement signal		0 to 10.3 V 1.9 to 10 V DC, corresp. 5×10^{-4} to 1×10^3 mbar 1.286 V/decade, logarithmic
Status signal		Error: ≤ 0.5 V
Trigger (only TTR 91 S/TTR 96 S) Adjustment range	mbar (Torr)	Normally open relay contact 2×10^{-3} to 500 (1.5×10^{-3} to 375)
Hysteresis		10%
Rating	ms	30 V; 0.5 A DC
Error status		Relay contact open
Status indicators (only TTR 91 S)		Trigger (active): Green LED
Electrical connection		FCC-68/RJ45 socket, 8-way with shield
Cable length, max.	m	100

Ordering Information

THERMOVAC Transmitter TTR 91 / TTR 91 S / TTR 96 S

	Part No.
Without switching threshold	
TTR 91, DN 16 ISO-KF	230 035
TTR 91, 1/8" NPT	230 038
TTR 91, DN 16 CF	230 036
TTR 91, 1/2" Tube, DN 16 CF bakeable	230 037
With switching threshold	
TTR 91 S, DN 16 ISO-KF	230 040
TTR 91 S, 1/8" NPT	230 043
TTR 91 S, 1/2" Tube, DN 16 CF bakeable	230 042
TTR 96 S, DN 16 ISO-KF	230 045
TTR 96 S, 1/2" Tube, DN 16 CF bakeable	230 047
Replacement sensing cell for TTR 91 / TTR 91 S	
DN 16 ISO-KF	230 050
1/8" NPT	230 053
DN 16 CF	230 051
1/2" Tube, DN 16 CF, bakeable	230 052
for TTR 96 S	
DN 16 ISO-KF	230 055
1/8" NPT	230 058
DN 16 CF	230 056
Calibration	see chapter "Miscellaneous", para. "Oerlikon Leybold Vacuum Calibration Service"
Connection cable, FCC 68 on both ends, 8-polig mit Abschirmung	Type A
5 m	124 26
10 m	230 012
15 m	124 27
20 m	124 28
30 m	124 29
50 m	124 31
75 m	124 32
100 m	124 33
Accessories, optional	
Spiral tube DN 16 ISO-KF	230 082

THERMOVAC Transmitters with Fieldbus Interface Profibus or DeviceNet TTR 911 / TTR 911 PB / TTR 911 D / TTR 911 CC / TTR 911 CC PB / TTR 916 / TTR 916 PB



Transmitter TTR 911; left with PB interface, right with display

The THERMOVAC transmitters are active sensors (pressure/voltage converters) the operation of which is based on the thermal conductivity principle according to Pirani. The transmitters offer a display range from 5×10^{-5} to 1000 mbar.

A selection of 3 different filament materials (TTR 911 = tungsten, TTR 916 = nickel, TTR 911 CC = ceramics coated tungsten) allows the selection of the matching sensor for every application.

In particular, the new TTR 911 CC models with sensing cells fully coated with ceramic material are especially well suited for demanding applications like dry etching, Atomic Layer Deposition (ALD) because these offer, compared to traditional sensing cells made of metal, an optimised degree of corrosion protection. Optionally the TTR 911/916 transmitters are available with a built-in display facilitating reading off of the measured values directly at the transmitter itself. As Fieldbus interfaces both Profibus and DeviceNet are available.

Advantages to the User

- 2 switching thresholds with a wide adjustment range (5×10^{-5} to 1000 mbar)
- Rugged Pirani sensing cells for different media are available
 - Tungsten (standard applications, without corrosive media)
 - Nickel (slightly corrosive media)
 - Ceramics coated (highest degree of corrosion protection)
- LED display for operation and switching threshold function
- High degree of reproducibility
- Sensing cells which are easy to replace
- Logarithmic signal output
- High level of EMI compatibility through shielded housing, FCC 68 compliant connectors and cables
- Computer interface (optional)
 - Profibus
 - DeviceNet
- Versions with display but without Fieldbus are available
- Complies with CE, ETL, ANSI/UL, CAN/CSA, RoHs and WEEE requirements

Typical Applications

- Analytical engineering
- Safety circuits in vacuum systems
- Controlling ionization gauges
- Vacuum furnaces
- General pressure measurement and control on systems in the medium and rough vacuum range with the following requirements:
 - Immediate data transfer to a PLC/computer via analog interface
 - Coverage of greater distances between the point of the measurement and processing station
 - Several locations which are to be monitored continuously
 - Low voltage supply
 - Simple, cost and space saving installation
 - Increased reliability
 - Simple to operate
 - Increased requirements as to electromagnetic compatibility (EMC)

Sensor

The THERMOVAC transmitter TTR 911 is equipped with a tungsten sensing filament which is suited for standard applications.

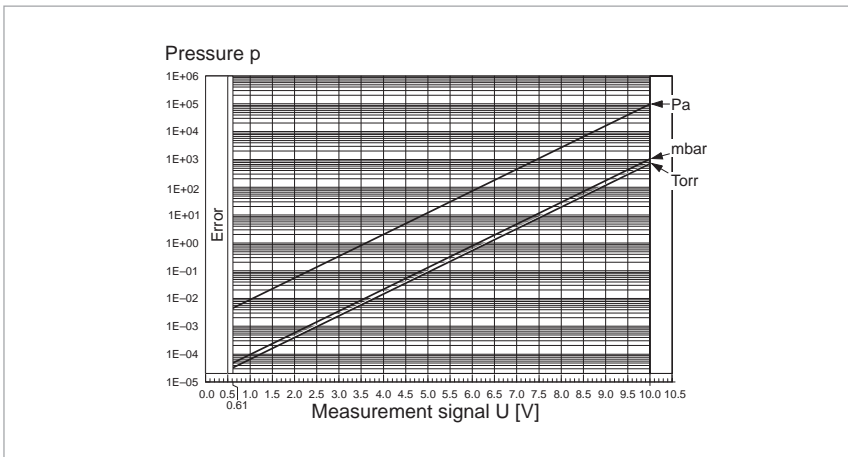
The transmitter models TTR 916 are equipped with a nickel sensing filament for applications involving increased quantities of water vapour or corrosive media.

The THERMOVAC transmitter TTR 911 CC is suited for applications involving extremely corrosive media since the sensing filament coated with a ceramic material offers the highest degree of corrosion protection.

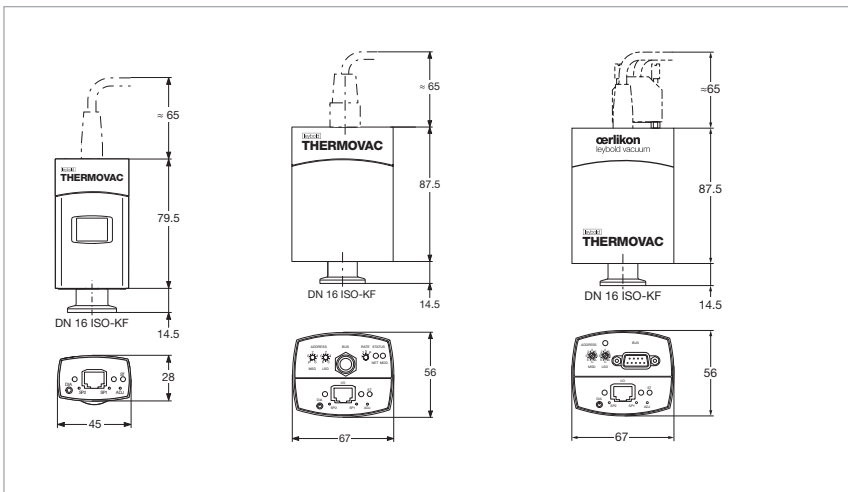
In all transmitter models, the sensing cells can be easily replaced should this be required.

Integration of the transmitter in programmable control systems is facilitated by the linear characteristic which may be defined by entering a simple equation into the computer.

Through the built-in relays it is possible to perform important switching functions directly through the transmitter without the need of a PLC.



Characteristics of the TTR 911 and TTR 916



Dimensional drawing of the TTR 911 and TTR 916 with DN 16 ISO-KF flange.
On the left with display, at the centre with DeviceNet interface, on the right with Profibus interface

Technical Data

THERMOVAC Transmitters

TTR 911 / TTR 911 PB / TTR 911 D / TTR 911 CC / TTR 911 CC PB/ TTR 916 / TTR 916 PB

Display range	mbar (Torr)	5 x 10 ⁻⁵ to 1000 (3.75 x 10 ⁻⁵ to 750)
Measurement uncertainty (N ₂)	mbar (Torr) mbar (Torr) mbar (Torr)	5 x 10 ⁻⁴ to 1 x 10 ⁻³ (3.75 x 10 ⁻⁴ to 1 x 10 ⁻³), ± 50% of the measured value 1 x 10 ⁻³ to 100 (1 x 10 ⁻³ to 750), ± 15% of the measured value 100 to 1000 (75 to 750), ± 50% of the measured value
Principle of measurement		Thermal conductivity acc. to Pirani
Supply voltage	V DC	+15 to +30, typ. 24 V
Power consumption		
without Fieldbus	W	≤ 2.5
Profibus	W	≤ 3
DeviceNet	W	≤ 3
Storage temperature range	°C	-20 to +65
Nominal temperature range	°C	+10 to +50
Type of protection		IP 40
Dimensions (H x W x D)	mm	See dimensional drawing
Weight, approx.	kg (lbs)	0.23 to 0.25 (0.51 to 0.55)
Sensor		Exchangeable sensing cell
Filament		Tungsten (TTR 911) / Al ₂ O ₃ coated tungsten (TTR 911 CC)/nickel (TTR 916)
Vacuum connection	DN	16 ISO-KF
Degassing temperature, max.	°C	80 at the flange
Dead volume, approx.	cm ³	4.7
Materials in contact with the medium		
Vacuum connection		Stainless steel 1.4435
Filament		TTR 911: tungsten, TTR 911 CC: Al ₂ O ₃ coated tungsten, TTR 916: nickel
Vacuum feed through		Glass
Orifice		Stainless steel 1.4301
Further materials		Al ₂ O ₃ , Ni, NiFe, stainless steel 1.4301
Overpressure rating (abs.)	bar	5
Signal output (R _s > 10 kΩ)		
Measurement signal		0 to 10 V 0.61 to 10 V 1.286 V/decade
Error signal		0 to 0.5
Switching threshold		Semiconductor relay contact, normally open
Adjustment range	mbar (Torr)	5 x 10 ⁻⁵ to 1000 (3.75 x 10 ⁻⁵ to 750)
Hysteresis		Approximately 10% of the setup pressure value
Reaction time	ms	< 30
Switching capacity		< 30 V AC/DC, ≤ 0.3 A
Status indicators		Operation indicator (power): LED green; error: LED red Switching threshold (enabled): LED green
Electrical connection		FCC-68 socket, 8-way with shield
Cable length, max.	m	100 (for the FCC connection), different maximum cable lengths apply to the Fieldbus interfaces
Interface		
TTR 911 PB / 916 PB / TTR 911 CC PB		Profibus
TTR 911 D		DeviceNet

Ordering Information

THERMOVAC Transmitters

TTR 911 / TTR 911 PB / TTR 911 D / TTR 911 CC / TTR 911 CC PB/

TTR 916 / TTR 916 PB

	Part No.
TTR 911, DN 16 ISO-KF, with display Tungsten filament (2 switching thresholds) Replacement sensing cell	89654V01 230650V01
TTR 911 PB, DN 16 ISO-KF Tungsten filament (2 switching thresholds) Profibus interface Replacement sensing cell	89650V01 230650V01
TTR 911 D, DN 16 ISO-KF Tungsten filament (2 switching thresholds) DeviceNet interface Replacement sensing cell	89651V01 230650V01
TTR 911 CC, DN 16 ISO-KF Tungsten filament (2 switching thresholds) Ceramics coated Replacement sensing cell	89658V01 230651V01
TTR 911 CC PB, DN 16 ISO-KF Tungsten filament (2 switching thresholds) Ceramics coated Profibus interface Replacement sensing cell	89659V01 230651V01
TTR 916, DN 16 ISO-KF, with display Nickel filament (2 switching thresholds) Replacement sensing cell	89656V01 230652V01
TTR 916 PB, DN 16 ISO-KF Nickel filament (2 switching thresholds) Profibus interface Replacement sensing cell	89652V01 230652V01
Calibration	See Section "Miscellaneous", paragraph "Oerlikon Leybold Vacuum calibration service"
Connection cable, FCC 68 on both ends, 8-way with shield	Type A
5 m	124 26
10 m	230 012
15 m	124 27
20 m	124 28
30 m	124 29
50 m	124 31
75 m	124 32
100 m	124 33
Optional accessories Spiral tube DN 16 ISO-KF	230 082

THERMOVAC Transmitters

TTR 101 / TTR 101 S2 / TTR 101 S2 PB



The Pirani Capacitance Diaphragm Gauge is the first vacuum gauge which combines ceramic capacitance diaphragm and thermal conductivity technologies. The Oerlikon Leybold Vacuum TTR 101 offers superior accuracy and gas type independent readings between 10 mbar and 1500 mbar.

Advantages to the User

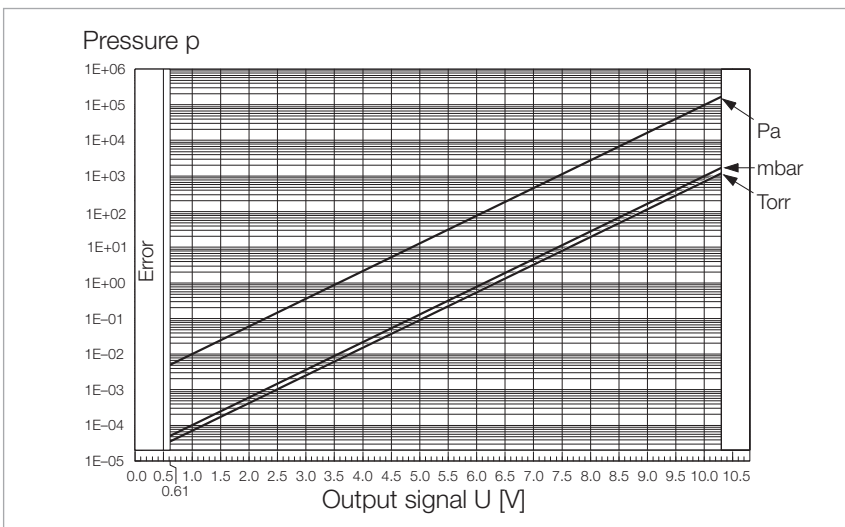
- Large display range 5×10^{-5} to 1500 mbar
- Gas type independent above 10 to 1500 mbar
- Available optional display, or with up to two integrated setpoints
- Easy to exchange plug & play sensor element with on-board calibration data - guarantees high reproducibility and low cost of ownership
- Compact design
- LED signal for set point relay status
- Rapid cycling
- NRTL, ETL, RoHs and WEEE standards

Typical Applications

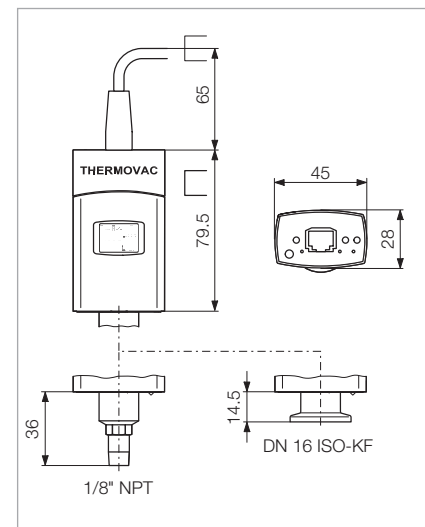
- General vacuum measurement and control from low to the high vacuum range
- Forevacuum pressure measurement
- Safety circuits in vacuum systems
- Load lock control
- Control of high vacuum ionization gauge

Option

Dust and other particles may cause increasing measurement errors and reduced lifetime. Therefore we recommend the installation of a fine filter in critical applications. Fine filters are listed in chapter "General", para. "Connection Accessories for Small Flanges".



Kennlinie des THERMOVAC-Transmitters TTR 101 (S2)



Maßzeichnung des TTR 101 (S2)

Technical Data

THERMOVAC Transmitter TTR 101 / TTR 101 S2 / TTR 101 S2 PB

Measurement principle 10 to 1500 mbar (7.5 to 1125 Torr) 1 to 10 mbar (0.75 to 7.5 Torr) 5 x 10 ⁻⁴ to 1 mbar (3.75 x 10 ⁻⁴ to 0.75 Torr)	Capacitive diaphragm sensor Mixed range Thermal conductivity acc. to Pirani
Measurement range mbar (Torr)	5 x 10 ⁻⁵ to 1500 (3.8 x 10 ⁻⁵ to 1125)
Measurement range mbar (Torr)	5 x 10 ⁻⁴ to 1500 (3.8 x 10 ⁻⁴ to 1125)
Measurement uncertainty (N ₂) 5 x 10 ⁻⁴ to 1 x 10 ⁻³ mbar 1 x 10 ⁻³ to 100 mbar 100 to 950 mbar 950 to 1050 mbar	± 50% of reading ± 15% of reading ± 5% of reading ± 2,5% of reading
Repeatability (N ₂) 1 x 10 ⁻³ to 1100 mbar	± 2% of reading
Output signal (measurement signal) Voltage range Measurement range Error signal Relationship between voltage and pressure	0 to 10.23 V +0.61 to +10.23 V 0 V (factory default) 1.286 V / decade, logarithmic
Output impedance Load impedance Response time	2 x 4.7 Ohm, short circuit-proof > 10 kΩ < 30 ms
Transmitter identification	71.5 kΩ
HV transmitter alignment	at < 10 ⁻⁵ mbar
ATM transmitter alignment	at > 100 mbar
Semiconductor relay Adjustment range (N ₂) Hysteresis Switching characteristic Contact rating closed open Switching time	Switching thresholds SP 1/2 5.0 x 10 ⁻⁵ to 1500 mbar 10% of the threshold Low trip point < 30 V AC/DC, # 0.3 A resistive LED on LED off < 30 ms

Further Technical Data

THERMOVAC Transmitter TTR 101 / TTR 101 S2 / TTR 101 S2 PB

Supply voltage at the transmitter Ripple	V DC	Class 2 / LPS +15 to +30 < 1 V _{ss}
Power consumption	W	≤ 2.5
Fuse to connect ahead		1 AT
Electrical connection Measurement cord Cable length	m	FCC 68 socket with shield: 0.14 mm ² / wire ≤ 100
Earthing concept Vacuum connection and signal earth		--> "Electrical connection" connected via 10 kV, 10 nF
Materials exposed to vacuum Vacuum connection Heating filament Vacuum feedthrough Orifice (for DN 16 ISO-KF only) Diaphragm Further materials		Stainless steel 1.4435 W Glass Stainless steel Ceramic Ni, NiFe, Stainless steel 1.4301, SnAg
Internal volume DN 16 ISO-KF 1/8" NPT	cm ³ cm ³	4.7 5.2
Admissible pressure	bar (abs.)	≤ 5
Burst pressure	bar (abs.)	10
Admissible temperature Operation (ambient) Bakeout at flange ¹⁾ , max. Heating filament Storage	°C °C °C °C	+10 to +50 ≤ 80 < 160 -20 to +65
Relative humidity Annual average on 60 days		≤ 65% (non condensing) ≤ 85% (non condensing)
Mounting orientation		Horizontal and vertical
Use		Indoors only, altitudes up to 2000 m (6562 ft.)
Protection class	IP	40
Weight	kg (lbs)	0.120 (0.265)

¹⁾ For horizontal installation. While baking out, the technical data for measurement range, inaccuracy and repeatability may deviate

Ordering Information

THERMOVAC Transmitter TTR 101 / TTR 101 S2 / TTR 101 S2 PB

	Part No.
THERMOVAC TTR 101 without switching threshold without Display DN 16 ISO-KF 1/8" NPT	230 350 V01
	230 351 V01
with Display DN 16 ISO-KF 1/8" NPT	230 354 V01 230 355 V01
THERMOVAC TTR 101 S2 with two switching thresholds without Display DN 16 ISO-KF 1/8" NPT	230 352 V01 230 353 V01
	230 356 V01 230 357 V01
THERMOVAC TTR 101 S2 PB with two switching thresholds without Display DN 16 ISO-KF	230 358 V01
	230 360 V01
Replacement sensor DN 16 ISO-KF 1/8" NPT	230 361 V01
	230 362 V01
Centering ring with fine filter DN 16 ISO-KF	883 96
Calibration	see chapter "Miscellaneous", para. "Oerlikon Leybold Vacuum Calibration Service"
Connection cable, FCC 68 on both ends, 8-way, shielded 5 m 10 m 15 m 20 m 30 m 50 m 75 m 100 m	Type A
	124 26
	230 012
	124 27
	124 28
	124 29
	124 31
	124 32 124 33
Accessories, optional Spiral tube DN 16 ISO-KF	230 082

PENNINGVAC Transmitters

PTR 225/ PTR 225 S/ PTR 225 PB/ PTR 237



The PENNINGVAC transmitters have been developed especially for integration in programmable control systems. As active sensors (pressure to voltage converters) - equipped with a rugged cold cathode sensing cell and with matched operating and processing electronics - these transmitters offer a wide measurement range of 1×10^{-9} to 1×10^{-2} mbar (0.75×10^{-9} to 0.75×10^{-2} Torr). The measurement signal may be transmitted over long distances without problems.

Advantages to the User

- All-metal cold cathode sensors (inverted Penning)
- High reproducibility
- Good ignition characteristics through the optimized design for the electrodes
- Low tendency for contamination (also during argon operation) due to high voltage reduction after ignition of the plasma and due to the titanium cathodes
- Switching threshold adjustable over a wide range (1×10^{-9} to 1×10^{-2} mbar (0.75×10^{-9} to 0.75×10^{-2} Torr)) and with a load-bearing relay contact (PTR 225 S)
- Low stray magnetic field
- High EMI compatibility through screened housing, FCC-68 connector and cables
- LED indicator for operation
- Logarithmic signal output (algorithm supplied)
- Intelligent interface
- CE mark
- High resistance against sputtering due to titanium cathode plates

Typical Applications

- Evaporation and sputtering systems
- Analytical engineering
- Vacuum furnaces
- High vacuum systems
- General pressure measurement and control on systems in the fine and rough vacuum range which have the following requirements:
 - Immediate data transfer to a programmable control/computer via analog interface
 - Coverage of greater distances between the point of the measurement and processing location
 - Several locations which are to be monitored continuously
 - Low voltage supply
 - Simple, cost and space saving installation
 - Increased reliability, also in argon processes (sputtering)
 - Simple operation
 - Increased requirements concerning electromagnetic compatibility (EMI)

Option

For protection of the sensors PTR 225 against contamination, radiation and other disturbing factors the installation of a baffle is recommended.



Baffle DN 25 ISO-KF, with centering ring, Part No. 230 078

Sensor

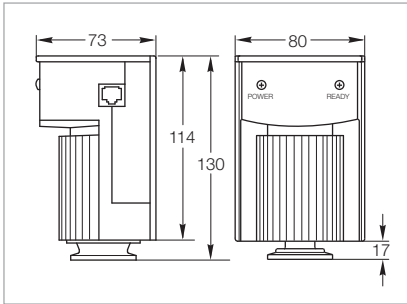
Cold cathode sensors - based on the well-proven principle of the inverted Penning - are built into the PENNINGVAC transmitters PTR 225/225 S/237 which have a DN 25 ISO-KF or DN 40 CF flange. The housing of the transmitter, including its electronics, as well as the magnet can easily be removed for degassing of the all-metal sensor with Al_2O_3 current feedthrough. The design of the Penning sensors with its

closed magnetic field causes a negligible stray field. Thus the PTR 225/225 S/237 may also be installed close to sensitive parts within a system.

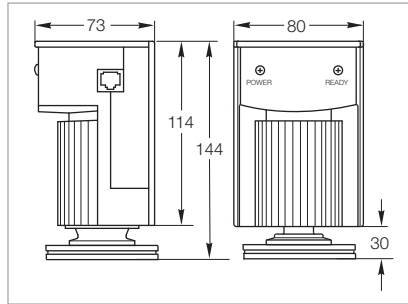
The anode ring and the titanium cathode plates can be exchanged easily for quick maintenance of the sensors in case of contamination. The shape of the cathode plates is such that they also act as a baffle for the sensors.

Integration of the transmitter in programmable control systems is facilitated by the linear characteristic which can be defined by entering a simple equation into the computer.

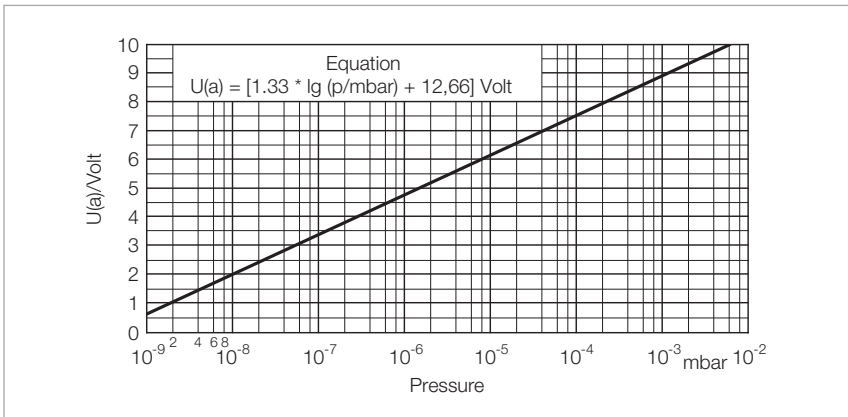
Built-in relays (PTR 225 S) allow switching functions to be performed directly by the transmitter, without the need of a programmable control.



Dimensional drawing for the PTR 225



Dimensional drawing for the PTR 237



Characteristic of the PTR 225/225 S/237

Technical Data

PENNINGVAC Transmitter

PTR 225 / PTR 225 S / PTR 225 PB / PTR 237

Measurement range	mbar (Torr)	1×10^{-9} to 1×10^{-2} (0.75×10^{-9} to 0.75×10^{-2})
Measurement uncertainty		30% in the range 1×10^{-8} to 1×10^{-4} mbar (0.75×10^{-8} to 0.75×10^{-4} Torr)
Measurement principle		Cold cathode ionization according to Penning
Supply voltage		14.5 to 36 V DC typ. 24 V DC hum voltage $< 2 V_{ss}$
Power consumption	VA	< 2
Storage temperature range	°C	-20 to +70
Nominal temperature range	°C	+10 to +50
Max. rel. humidity (climatic class F)	% n.c.	95
Protection class	IP	40
Dimensions (H x W x D)	mm	125 x 80 x 73
Weight, approx.	kg (lbs)	0,5
Inflammability		UL 94 - V 2
Sensor		Detachable for cleaning
Vacuum connection		
PTR 225 (S)	DN	25 ISO-KF
PTR 237	DN	40 CF
Degassing temperature, max.	°C	250 with electronics detached
Dead volume, approx.	cm ³	21
Materials in contact with the medium		Stainless steel, CrNi, Al ₂ O ₃ ³²⁵⁰ with electronics detached ¹ NiFe, Mo, Cu, Ni, Ti
Overpressure rating (abs.)	bar	10
Signal output (R _a > 10 kΩ) Measurement signal		0 to 10,6 V 0.66 to 10 V, corresponds to 1×10^{-9} to 1×10^{-2} mbar logarithm. divisions 1.333 V/decade
Trigger (PTR 225 S) Adjustment range	mbar (Torr)	Changeover relay contact 1×10^{-9} to 1×10^{-3} (0.75×10^{-9} to 0.75×10^{-3})
Hysteresis		About 30% of the adjusted pressure
Rating		60 V, 0.5 A DC
Error status		Contact in its rest position when "no ignition" / "HT off"
High voltage control input		ON: At U < 2.9 V, or U > 12 V OFF: At U > 3 V, or U < 7 V
Status output Ready to measure Error (no ignition)		Voltage level HIGH (typ. 24 V DC) LOW (0 V)
Status indicators		Operation: Orange LED Ready to measure (ignited): Green LED Trigger (active): Green LED
Monitor output (R _a > 100 kΩ)		Jack socket (3.5 mm) at which the trigger setting is available
Electrical connection		FCC-68 socket, 8-way with shield
Cable length, max.	m	100
Interface PTR 225 P		Profibus DP

Ordering Information

PENNINGVAC Transmitter

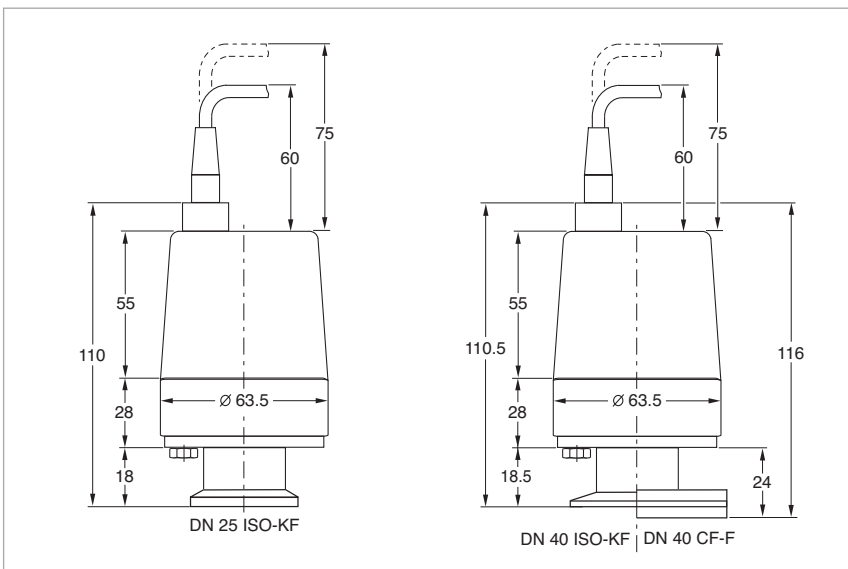
PTR 225 / PTR 225 S / PTR 225 PB / PTR 237

	Part No.
PTR 225, DN 25 ISO-KF	157 34
PTR 225 S, DN 25 ISO-KF	164 34
PTR 225 PB, DN 25 ISO-KF Profibus interface	896 41
PTR 237, DN 40 CF	157 36
Baffle, DN 25 ISO-KF, with centering ring (FPM (FKM))	230 078
Replacement cathode plates, titanium (set of 5 pieces)	EK 162 91
Replacement anode ring	200 28 711
Calibration	see chapter "Miscellaneous", para. "Oerlikon Leybold Vacuum Calibration Service"
Connection cable, FCC 68 on both ends, 8-way, shielded	Type A
5 m	124 26
10 m	230 012
15 m	124 27
20 m	124 28
30 m	124 29
50 m	124 31
75 m	124 32
100 m	124 33

PENNINGVAC Transmitter PTR 90



The PENNINGVAC transmitter combines the cold cathode ionization principle with the Pirani principle. This allows for complete coverage of the pressure range from 5×10^{-9} mbar to atmospheric pressure by a single transmitter. The cold cathode system is ignited directly through switching on the internal high-voltage at the optimum ignition pressure.



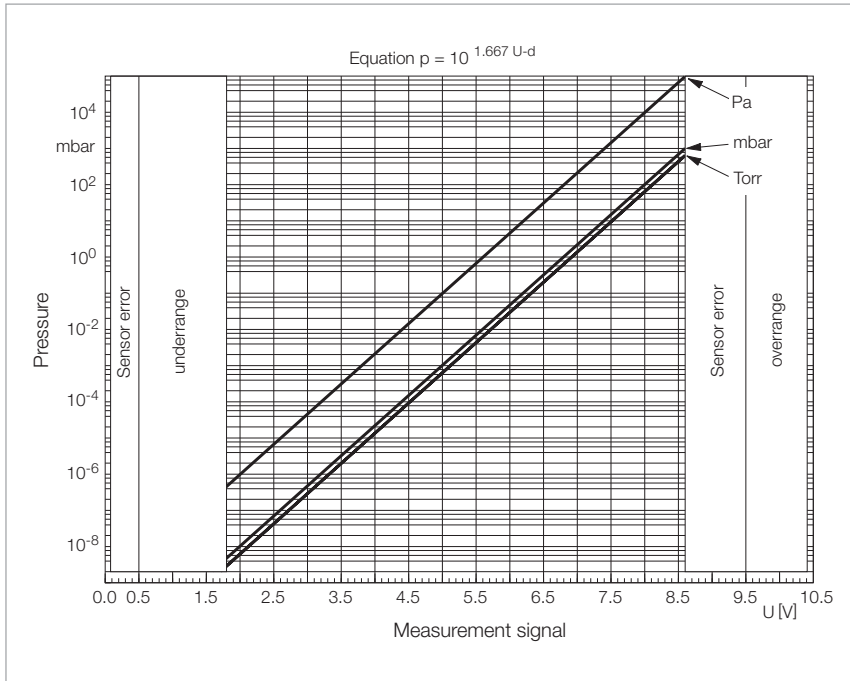
Dimensional drawing for the PENNINGVAC transmitters PTR 90

Advantages to the User

- High operational reliability through automatic ignition of the cold cathode
- Low complexity for installation and wiring due to the integration of two principles of measurement in a single casing
- Compact design
- Good serviceability
- Extra low voltage power supply
- Simple, cost and space saving installation
- Increased reliability also in connection with argon processes (sputtering)
- Simple to operate
- CE mark

Typical Applications

- Sputtering and coating technology
- Analytical technology
- Vacuum furnaces
- Multipurpose pressure measurement and control in the medium and high vacuum range



Characteristic of the PTR 90

Option

For protection of the sensor ITR 90 against contamination, radiation and other disturbing factors the installation of a baffle is recommended.

Two types of baffles are available: A build-in version for CF connections is mounted in the sensor; the baffle for ISO-KF connections is integrated in a centering ring.



Baffle DN 25 ISO-KF, with centering ring, Part No. 230 078

Technical Data

PENNINGVAC Transmitter

PTR 90

Measurement range	mbar (Torr)	5 x 10 ⁻⁹ ... 1000 (3.75 x 10 ⁻⁹ ... 750)
Measurement uncertainty	%	30 in the range 1 x 10 ⁻⁸ ... 100 mbar (in the range 0.75 x 10 ⁻⁸ ... 75 Torr)
Measurement principle		Cold cathode measurement system based on the principle of the inverted magnetron and Pirani measurement system
Reproducibility	%	5 in the range 1 x 10 ⁻⁸ ... 100 mbar (in the range 0.75 x 10 ⁻⁸ ... 75 Torr)
Output signal (measurement signal)		
Voltage range	V	0 - 10.5
Measurement range	V	1.82 to 8.6
Relationship between voltage and pressure		Logarithmic, 0.6 V/decade
Error signal		< 0.5 V no power supply > 9.5 V Pirani sensor is defective (broken filament)
Supply voltage	V DC	15 - 30
Electrical connection		FCC 68 socket, 8-way
Operating temperature	°C	+5 to +55
Storage temperature	°C	-40 to +65
Materials in contact with the medium		Stainless steel, Ceramics, Mo, Ni, Au, W, Viton
Overpressure rating (abs.)	bar	10
Protection class	IP	40

Ordering Information

PENNINGVAC Transmitter

PTR 90

	Part No.
PTR 90	
DN 25 ISO-KF	230 070
DN 40 ISO-KF	230 071
DN 40 CF	230 072
Baffle, with centering ring (FPM (FKM))	
DN 25 ISO-KF	230 078
DN 40 ISO-KF	230 079
Magnet shield for PTR 90	230 073 V01
Calibration	see chapter "Miscellaneous", para. "Oerlikon Leybold Vacuum Calibration Service"
Connection cable, FCC 68 on both ends, 8-way, shielded	Type A
5 m	124 26
10 m	230 012
15 m	124 27
20 m	124 28
30 m	124 29
50 m	124 31
75 m	124 32
100 m	124 33

IONIVAC Transmitter ITR 90



The ITR 90 is an optimized combination transmitter. The combination of a hot cathode ionisation sensor according to Bayard-Alpert and a Pirani sensor permits vacuum pressure measurements of nonignitable gases and gas mixtures in the pressure range from 5×10^{-10} to 1000 mbar.

The ITR 90 can be ordered with integrated display or Profibus interface.

Advantages to the User

- Continuous pressure measurements from 10^{-10} mbar to atmospheric pressure
- High degree of reproducibility within the typical range for process pressures of 10^{-2} to 10^{-8} mbar
- Controlled switching on and off sequencing through the integrated double Pirani optimized the service life of the yttrium coated iridium cathodes
- Compact design
- Enclosed, rugged electrode geometry in a rugged metal housing
- Efficient degassing by electron bombardment
- Simple fitting of the sensor
- Extension for higher bake out temperatures during the measurements
- One signal covering 13 decades
- One flange joint for 13 decade
- ITR 90 model with built-in display for stand-alone operation without additional display components
- RS 232 C interface

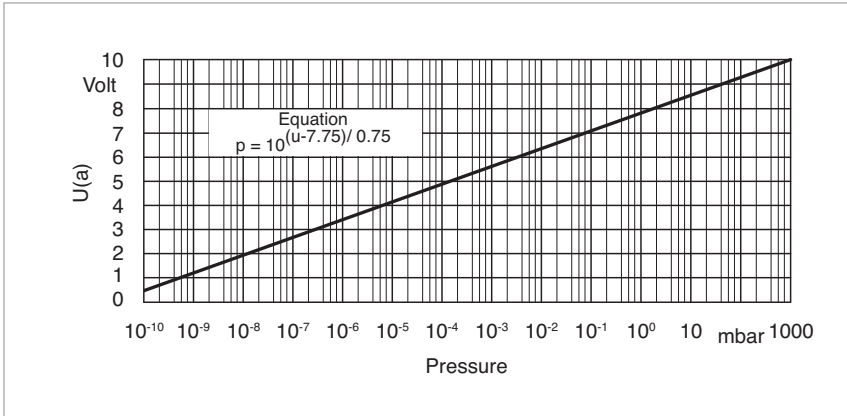
Typical Applications

- Analytical
- Evaporation and coating
- Vacuum furnaces
- General purpose pressure measurements in the fine and high vacuum ranges

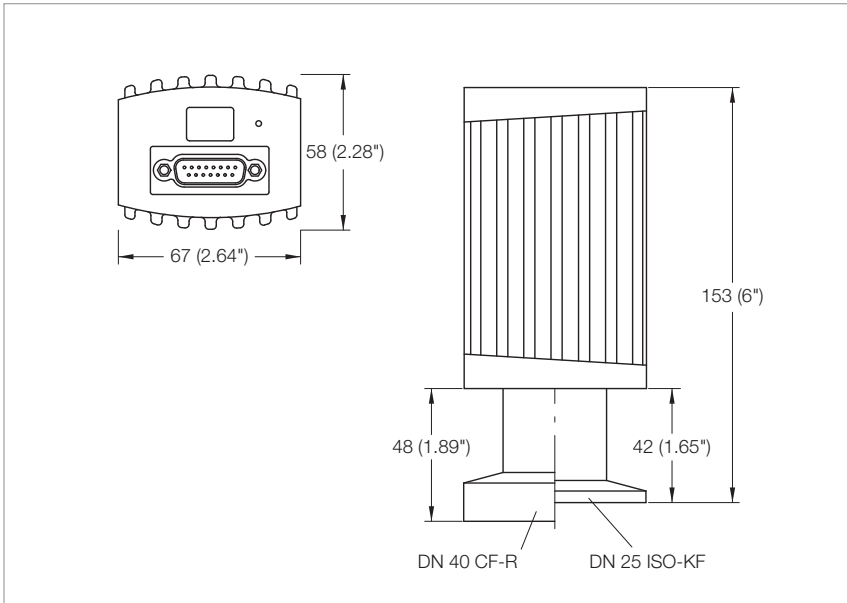
Sensor

The sensor of the ITR 90 contains a dual filament Pirani system as well as a Bayard-Alpert measurement system.

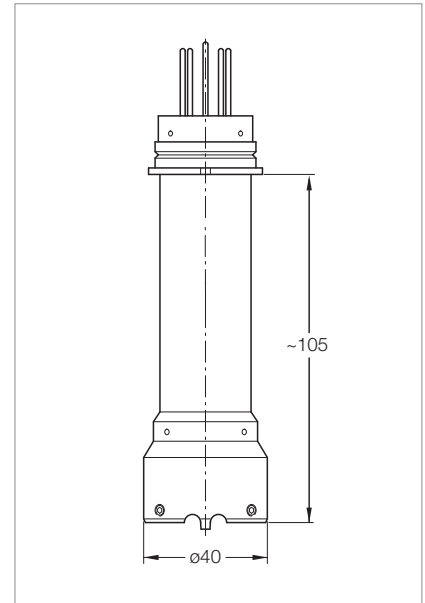
When using the bake out extension, measurements will be possible also at flange temperatures up to 150 °C.



Characteristic of the ITR 90



Dimensional drawing for the ITR 90; dimensions in brackets () are in inch



Dimensional drawing for the bake out extension

Technical Data

IONIVAC-Transmitter

ITR 90

Measurement range	mbar (Torr)	5 x 10 ⁻¹⁰ to 1000 (3.75 x 10 ⁻¹⁰ to 750)
Measurement uncertainty, 10 ⁻¹ - 1000 mbar		≥ 15% of the meas. value
Measurement uncertainty, 10 ⁻⁸ - 10 ⁻² mbar		15% of the meas. value
Reproducibility, 10 ⁻⁸ - 10 ⁻² mbar		5% of the meas. value
Principles of measurement		Hot cathode ionization according to Bayard-Alpert combined with thermal conductivity according to Pirani
Degas		Electron bombardment 3 minutes, max.
Supply voltage		20 to 28 V DC, typ. 24 V DC16
Power consumption, max.	W	16
Storage / nominal temperature range	°C	-20 to +70 / 0 to +50
Protection class		IP 30
Weight, approx.		
ITR 90, DN 25 ISO-KF	kg (lbs)	0.285 (0.64)
ITR 90, DN 40 CF	kg (lbs)	0.550 (1.24)
Sensor		Fully sealed, exchangeable
Degassing temperature, max.	°C	150 ¹⁾
Dead volume, approx.	cm ³	24 at DN 25 ISO-KF 34 at DN 40 CF
Materials in contact with the medium		Cu, W, Glass, NiFe, Mo, Stainless steel, Aluminum, Iridium, Yttrium, NiCr
Overpressure rating (abs.)	bar	2
Signal output (R _a ≥ 10 kΩ)		
Measurement signal		0 - 10 V, 0.774 - 10 V, 0.75 V pro decade
Error signal		< 0,5 V
Interface (standard / optional)		RS 232 C / ProfiBus
Electrical connection		15-way Sub-D male connector / pin contacts
Cable length, max.	m	100 / 30 at RS 232 C

¹⁾ Flange temperature when using the bake out extension

Ordering Information

IONIVAC-Transmitter ITR 90

without Display

with Display

	Part No.	Part No.
ITR 90, DN 25 ISO-KF	120 90	120 91
ITR 90, DN 25 ISO-KF, Profibus interface	230 030	-
ITR 90, DN 40 CF-R, rotatable CF flange	120 92	120 94
ITR 90, DN 40 CF-R, rotatable CF flange Profibus interface	230 031	-
Power supply for IONIVAC transmitter 100 - 240 V AC / 24 V DC incl. 5 m connection cable and 5 m RS 232 C cable	121 06	121 06
Bake out extension (100 mm, approx.)	127 06	127 06
Baffle, DN 25 ISO-KF, with Installation baffle for CF/ISO-KF variant	121 07	121 07
Replacement sensor IE 90, DN 25 ISO-KF ¹⁾	E 121 02	E 121 02
IE 90, DN 40 CF-R ¹⁾	E 121 03	E 121 03
Calibration	see chapter "Miscellaneous", para. "Oerlikon Leybold Vacuum Calibration Service"	see chapter "Miscellaneous", para. "Oerlikon Leybold Vacuum Calibration Service"
Connection cable	see chapter "Products", para. "Connection Cable for Active Sensors"	see chapter "Products", para. "Connection Cable for Active Sensors"

¹⁾ Including hex. socket screw key

IONIVAC Transmitter ITR 200 S



The ITR 200 S is an optimized dual cathode combination transmitter on the basis of the well proven ITR 90. The combination of a hot cathode ionization sensor according to Bayard-Alpert and a Pirani sensor allows vacuum pressure measurements of non-ignitable gases and gas mixtures in the pressure range from 5×10^{-10} to 1000 mbar.

Upon request, the pressure can be displayed on an integrated display.

Advantages to the User

- Service life increase and increased operational reliability through integration of a second hot cathode
- Full coverage of the pressure range from 5×10^{-10} mbar to atmospheric pressure
- High repeatability within the typical process pressure range of 10^{-2} to 10^{-8} mbar
- Controlled switching on and switching off through the integrated dual Pirani optimized the service life of the yttrium-coated iridium cathodes
- Compact design
- Enclosed, stable electrode geometry in rugged metal casing
- Efficient degassing through electron bombardment
- Simple to install
- ITR 200 S version with built-in display allows for stand-alone operation without the necessity for additional displays
- RS 232 C interface

Typical Applications

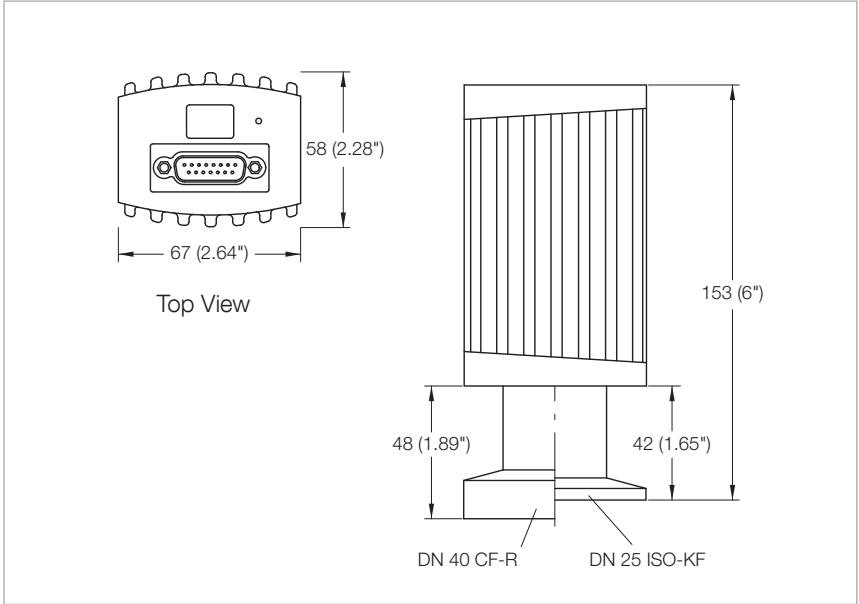
- Analytical engineering
- Sputtering and coating technology
- Vacuum furnaces
- Multipurpose pressure measurement in the medium and high vacuum range

Options

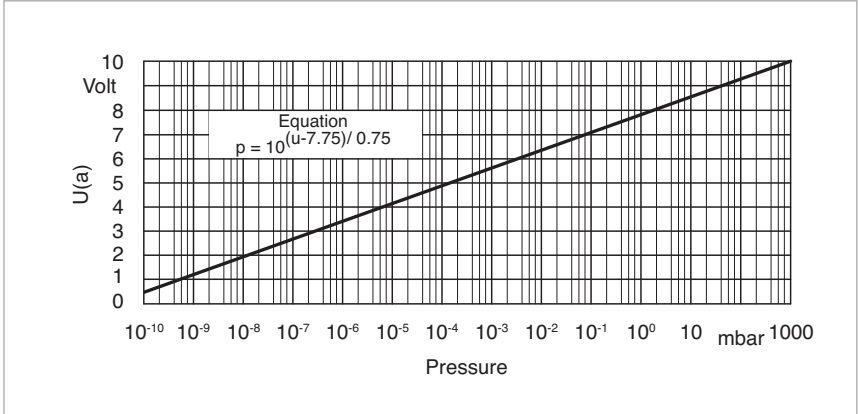
Upon request, the ITR 200 S can be supplied with an integrated display or a Profibus interface.

Sensor

The sensor of the ITR 200 S includes besides the Pirani system a dual cathode measurement system according to Bayard-Alpert. If one of the hot cathodes should burn out during operation, then the second cathode is automatically switched on. Moreover, each sensor contains a memory chip with the relevant system data. Thus after having exchanged a sensor, an automatic alignment is performed between sensor and operating electronics (plug and play).



Dimensional drawing for the ITR 200 S; dimensions in brackets () are in inch



Characteristic of the ITR 200 S

Measuring,
controlling

Technical Data

IONIVAC-Transmitter

ITR 200 S

Measurement range	mbar (Torr)	5 x 10 ⁻¹⁰ to 1000 (3.75 x 10 ⁻¹⁰ to 750)
Measurement uncertainty, 10 ⁻¹ - 1000 mbar		≥ 15% of the meas. value
Measurement uncertainty, 10 ⁻⁸ - 10 ⁻² mbar		15% of the meas. value
Reproducibility, 10 ⁻⁸ - 10 ⁻² mbar		5% of the meas. value
Principles of measurement		Hot cathode ionization according to Bayard-Alpert combined with thermal conductivity according to Pirani
Degas		Electron bombardment 3 minutes, max.
Supply voltage		20 to 28 V DC, typ. 24 V DC
Power consumption, max.	W	20
Storage / nominal temperature range	°C	-20 to +70 / 0 to +50
Protection class		IP 30
Weight, approx.		
ITR 200 S, DN 25 ISO-KF	kg (lbs)	0.50 (1.10)
ITR 200 S, DN 40 CF	kg (lbs)	0.75 (1.65)
Sensor		Fully sealed, exchangeable
Degassing temperature, max.	°C	150 ¹⁾
Dead volume, approx.	cm ³	24 at DN 25 ISO-KF 34 at DN 40 CF
Materials in contact with the medium		Cu, W, Glass, NiFe, Mo, Stainless steel, Iridium, Yttrium, NiCr
Overpressure rating (abs.)	bar	2
Signal output (R _a ≤ 10 kΩ)		
Measurement signal		0 - 10 V, 0.774 - 10 V, 0.75 V pro decade
Error signal		< 0,5 V
Interface (standard / optional)		RS 232 C / Profibus
Switching function		
Standard		1 normally open contact
Profibus		2 normally open contacts
Electrical connection		15-way Sub-D male connector / pin contacts
Cable length, max.	m	100 / 30 at RS 232 C

¹⁾ Flange temperature when using the bake out extension

Ordering Information

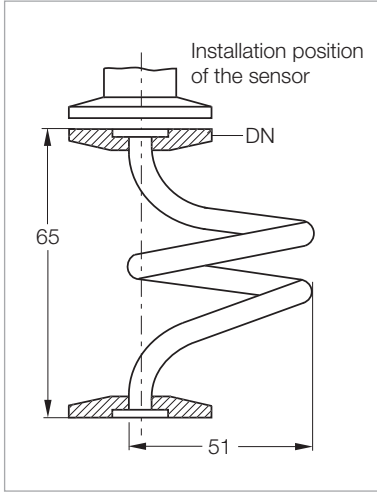
IONIVAC-Transmitter ITR 200 S without Display with Display

	Part No.	Kat.-Nr
ITR 200 S, DN 25 ISO-KF 1 switching function	230 250	230 251
ITR 200 SP, DN 25 ISO-KF, Profibus interface, 2 switching functions	230 252	-
ITR 200 S, DN 40 CF-R, rotatable CF flange 1 switching function	230 254	230 255
ITR 200 SP, DN 40 CF-R, rotatable CF flange Profibus interface, 2 switching functions	230 256	-
Options		
Power supply for IONIVAC transmitter 100 - 240 V AC / 24 V DC incl. 5 m connection cable and 5 m RS 232 C cable	121 06	121 06
Baffle, DN 25 ISO-KF, with Installation baffle for CF/ISO-KF variant	121 07	121 07
Replacement sensor		
IE 200, DN 25 ISO-KF ²⁾	240 020	240 020
IE 200, DN 40 CF-R ²⁾	240 021	240 021
IE 200 SL ¹⁾ , DN 40 CF-R ²⁾	-	240 022
Calibration	see chapter "Miscellaneous", para. "Oerlikon Leybold Vacuum Calibration Service"	see chapter "Miscellaneous", para. "Oerlikon Leybold Vacuum Calibration Service"
Connection cable	see chapter "Products", para. "Connection Cable for Active Sensors"	see chapter "Products", para. "Connection Cable for Active Sensors"

¹⁾ SL = long version (bake out version)

²⁾ Including hex. socket screw key

Spiral Tube



Dimensional drawing for the spiral tube

Advantages to the User

Pressure sensors may through the use of the spiral tube be better protected against contamination like condensate, vapours and dusts. Thus measurement accuracy is improved and a longer service life of the pressure sensors is attained.

Installation is recommended in connection with

- measurement system TTR (preferred)
- CERAVAC CTR

Operating Principle

Through the specially developed geometry which provides a constant slope, possibly occurring contamination is removed.

Maintenance

Depending on the type of application regular maintenance on the spiral tube is recommended.

Note

- Measurement errors caused by the increased conductance of the component need to be taken into account
- Low vibration mounting must be ensured
- The sensor must be connected at the upper end

Technical Data

Materials

Stainless steel

Spiral Tube

Ordering Information

Spiral Tube

	Part No.
Spiral Tube	
DN 16 ISO-KF	230 082
DN 25 ISO-KF	230 083
DN 40 ISO-KF	230 084

Connection Cables for Active Sensors

Active Sensors

Operating Units for Active Sensors

DISPLAY ONE

DISPLAY TWO DISPLAY THREE

CENTER ONE CENTER TWO CENTER THREE

THERMOVAC Transmitter TTR 91, TTR 91 S, TTR 96 S a. o. TTR 100, TTR 101, TTR 101 S2 TTR 911 PB/D/CC/CC PB, TTR 916 PB/D	Type A	Type A	Type A
PENNINGVAC Transmitter PTR 90, PTR 225, PTR 225 S, PTR 237	Type A (only PTR 90)	Type A	Type A
CERAVAC Transmitter CTR 100, CTR 101 (digital signal)	-	-	Type C
IONIVAC Transmitter ITR 90, ITR 200 S	-	-	Type C

Active Sensors

Operating Units for Active Sensors

IONIVAC IM 540 (Channel 3 and 4)

CMove

Bare wire ends

THERMOVAC Transmitter TTR 91, TTR 91 S, TTR 96 S a. o. TTR 100, TTR 101	Type A	Type A	-
CERAVAC Transmitter CTR 91, CTR 100, CTR 101 (analog signal)	Type B	Type B	Type E
IONIVAC Transmitter ITR 90, ITR 200 S	-	Type C	Type E

Active Sensors

Operating Unit for Active Sensors

VACVISION

THERMOVAC Transmitter TTR 91, TTR 91 S, TTR 96 S a. o. TTR 100, TTR 101	Type F
PENNINGVAC Transmitter PTR 90, PTR 225, PTR 225 S, PTR 237	Type F

Technical Data

Connection Cable

Cables Type A Type B Type C Type E Type F	FCC 68 (RJ45) on both ends, 8-way, shielded Sub-D 15-way female to FCC 68 (RJ45), 8-way, shielded Sub-D 15-way female to Sub-D 15-way male, shielded Sub-D 15-way female to bare wire ends, shielded FCC 68 (RJ45), Sub-D 15-way male, shielded
---	---

Ordering Information

Connection Cable

	Type A	Type B
	Part No.	Part No.
Cable length		
5 m	124 26	230 013
10 m	230 012	230 014
15 m	124 27	230 015
20 m	124 28	230 016
30 m	124 29	230 017
50 m	124 31	230 019
75 m	124 32	230 020
100 m	124 33	230 021

Ordering Information

Connection Cable

	Type C	Type E
	Part No.	Part No.
Cable length		
5 m	124 55	124 63
10 m	230 022	163 69
15 m	124 56	124 64
20 m	124 57	124 65
30 m	124 58	-
50 m	230 345 V01	-

Ordering Information

Connection Cable

	Type F
	Part No.
Cable length	
5 m	230 032 V01
10 m	230 033 V01

Operating Units for Active Sensors

DISPLAY ONE



Cost-effective, compact single channel display unit for the transmitters from the THERMOVAC series and for PTR 90.

Advantages to the User

- Power supply voltage for the transmitters
- Four digit mantissa in the range from 5×10^{-9} to 2000 mbar
- Readout selectable between mbar, Torr or Pascal
- 0 to 10 V chart recorder output via plug-in screw terminals
- The switching threshold of the transmitters has been looped through to plug-in terminals
- The transmitter switching threshold settings are displayed
- Compact bench top enclosure (1/4 19", 2 HU)
- For fitting into 19", 3 HU racks
- Supply voltage 100 - 240 V

Connectable Sensors

THERMOVAC

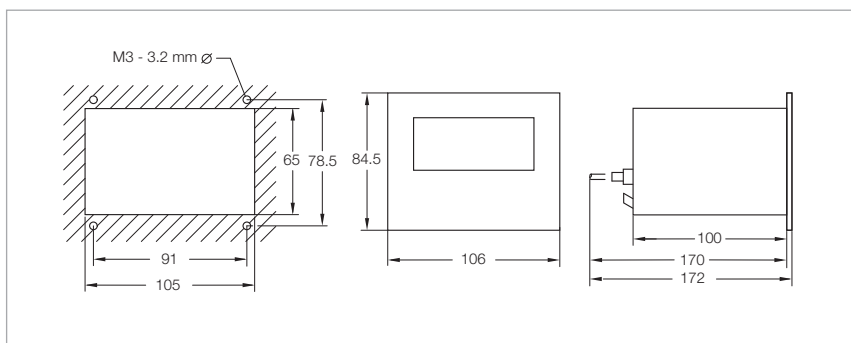
- TTR 100 *)
- TTR 101
- TTR 101 S2
- TTR 211 *)
- TTR 216 S *)
- TTR 90 *)
- TTR 90 S *)
- TTR 91
- TTR 91 S
- TTR 96 S
- TTR 911
- TTR 916

PENNINGVAC

- PTR 90

Linear pressure sensor

- DU 200
- DU 201
- DU 2000
- DU 2001
- DU 2001 rel.



Dimensional drawing and panel cut-out for the DISPLAY ONE

*) Connecting of older sensors possible

Technical Data

DISPLAY ONE

Number of measurement channels	1		
Display for measured values	digital, 7 segment LED		
Measurement range	mbar (Torr)	5 x 10 ⁻⁹ to 2000 (3.8 x 10 ⁻⁹ to 1500)	
Unit of measurement (selectable)	mbar, Torr, Pa		
Switching thresholds	from the transmitter are run to a terminal strip		
Chart recorder output (R _a > 2,5 kΩ)	0 - 10 Volt, characteristic corresponds to the connected transmitter		
Mains connection			
EURO version	V AC / Hz	100 - 240 / 50/60	
US version	V AC / Hz	100 - 240 / 50/60	

Ordering Information

DISPLAY ONE

	Part No.
DISPLAY ONE with mains cord (EURO and US)	230 001
THERMOVAC Transmitter PENNINGVAC Transmitter PTR 90	see chapter "Products", para. "Active Sensors"
Linear pressure sensors DU	see chapter "Products", para. "Additional Sensors"
Connection cables for THERMOVAC and PENNINGVAC (Type A)	see chapter "Products", para. "Connection Cables for Active Sensors"
Adapter panel for installation in a 2 HU, 19" rack	230 005

DISPLAY TWO / THREE



Cost-effective, operating and display units for the transmitters from the THERMOVAC and PENNINGVAC series.

All channels are displayed simultaneously.

Advantages to the User

- Power supply voltage for the transmitters
- Display range from 1×10^{-9} to 2000 mbar (0.75×10^{-9} to 1500 Torr)
- Readout selectable between mbar, Torr or Pascal
- Adjustable switching thresholds with variable hysteresis, floating change-over contacts and visual indication of the switching status in the display
- Option of entering gas correction factors
- Separate chart recorder outputs 0 - 10 V for each measurement channel
- Compact bench top enclosure (1/4 19", 3 HU)
- For fitting into 19", 3 HU racks

Connectable Sensors

THERMOVAC

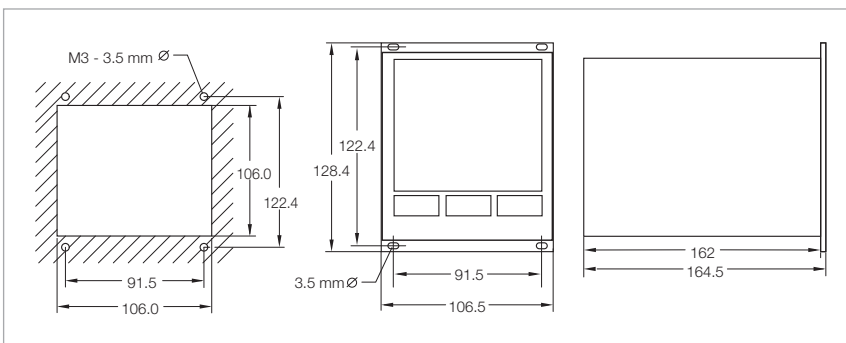
- TTR 211 *)
- TTR 216 S *)
- TTR 90 *)
- TTR 91
- TTR 96 S
- TTR 100 *)
- TTR 100 S2 *)
- TTR 101
- TTR 101 S2
- TTR 911
- TTR 916

PENNINGVAC

- PTR 90
- PTR 225
- PTR 225 S
- PTR 237

Linear pressure sensor

- DU 200
- DU 201
- DU 2000
- DU 2001
- DU 2001 rel.



Dimensional drawing and panel cut-out for the DISPLAY TWO and THREE

*) Connecting of older sensors possible

Technical Data

DISPLAY TWO

DISPLAY THREE

Number of measurement channels	2	3
Display for measured values	2 (1 per channel)	3 (1 per channel)
Measurement range mbar (Torr)	1 · 10 ⁻¹⁰ to 2000	1 · 10 ⁻¹⁰ to 2000
Unit of measurement (selectable)	adjustable	adjustable
Gas type correction (for PTR)	4 floating changeover contacts	6 floating changeover contacts
Sensor connection	60 V, 1 A DC / 30 V, 1 A AC	60 V, 1 A DC / 30 V, 1 A AC
Sensor power supply V DC	1 per channel,	1 per channel,
Electrical outputs	configurable as 2nd switching threshold	configurable as 2nd switching threshold
Switching thresholds Number Adjustment range Hysteresis Relay contact Load rating Ready signal relay	2 (1 per channel) sensor dependent adjustable 4 floating changeover contacts 60 V, 1 A DC / 30 V, 1 A AC 1 per channel, configurable as 2nd switching threshold	3 (1 per channel) sensor dependent adjustable 6 floating changeover contacts 60 V, 1 A DC / 30 V, 1 A AC 1 per channel, configurable as 2nd switching threshold
Error message Relay contact Load rating	normally open contact 60 V, 1 A DC / 30 V, 1 A AC	normally open contact 60 V, 1 A DC / 30 V, 1 A AC
Chart recorder output (R _s > 10 kΩ)	0 - 10 V per measurement channel, output characteristic corresponds to the connected transmitter	0 - 10 V per measurement channel, output characteristic corresponds to the connected transmitter
Control input	PENNINGVAC PTR: high voltage on	PENNINGVAC PTR: high voltage on
Mains connection V AC / Hz	85 - 240 / 50/60	85 - 240 / 50/60
Power consumption W	< 10	< 15
Nominal temperature range °C	+5 to +50	+5 to +50
Weight kg (lbs)	1.3 (2.87)	1.4 (3.09)
Protection class IP	40	40

Ordering Information

DISPLAY TWO

DISPLAY THREE

	Part No.	Part No.
DISPLAY TWO / THREE with mains cord (EURO and US)	230 024	230 025
THERMOVAC Transmitter	see chapter "Products", para. "Active Sensors"	see chapter "Products", para. "Active Sensors"
PENNINGVAC Transmitter	see chapter "Products", para. "Active Sensors"	see chapter "Products", para. "Active Sensors"
Connection cables for THERMOVAC and PENNINGVAC (Type A)	see chapter "Products", para. "Connection Cables for Active Sensors"	see chapter "Products", para. "Connection Cables for Active Sensors"

CENTER ONE



Universal compact display and operating unit for the active sensors from the CERAVAC, THERMOVAC, PENNINGVAC and IONIVAC series.

Advantages to the User

- Power supply voltage for the transmitters
- Display range from 1×10^{-10} to 2000 mbar
- Automatic switchover to exponential readout of the measured data depending on the pressure range
- Readout selectable between mbar, Torr or Pascal
- Adjustable switching threshold with variable hysteresis, floating change-over contact and visual indication of the switching status on the display
- Zero correction for both display and chart recorder output through a key when using CERAVAC transmitters
- Option of entering gas correction factors for PENNINGVACs
- Chart recorder output 0 - 10 Volt
- RS 232 C interface with adjustable baud rate
- Relay output for error signalling
- Compact bench top enclosure (1/4 19", 2 HU)
- For fitting into 19", 3 HU racks
- CE and GOST standards compliant

Connectable Sensors

THERMOVAC

- TTR 211 *)
- TTR 216 S *)
- TTR 90 *)
- TTR 91
- TTR 96 S
- TTR 100 *)
- TTR 100 S2 *)
- TTR 101
- TTR 101 S2
- TTR 911
- TTR 916

PENNINGVAC

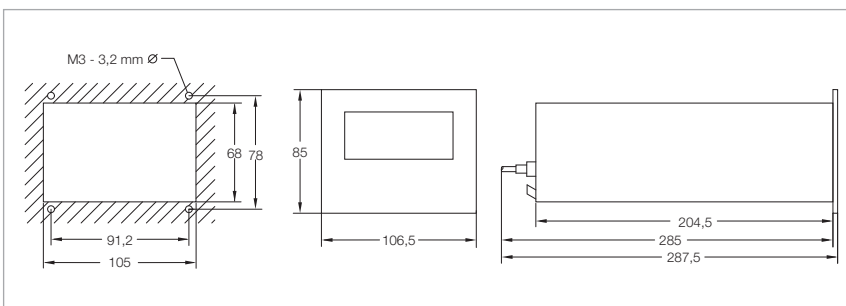
- PTR 90
- PTR 225
- PTR 225 S
- PTR 237

CERAVAC

- CTR 90 *)
- CTR 91 *)
- CTR 100
- CTR 101

IONIVAC

- ITR 90
- ITR 100 *)
- ITR 200 S
- ITR 200 SL



Dimensional drawing and panel cut-out for the CENTER ONE

*) Connecting of older sensors possible

Technical Data**CENTER ONE**

Number of measurement channels		1
Display for measured values		digital, 7 segment LED, 5 digits
Measurement range	mbar (Torr)	1×10^{-10} to 2000 (0.75×10^{-10} to 1500)
Unit of measurement (selectable)		mbar, Torr, microns, Pa
Gas type correction		factor adjustable
Sensor connection		15-way Sub-D socket FCC68 (RJ45)
Sensor power supply	V DC	24
Electrical inputs and outputs		9-way Sub-D plug
Switching thresholds		
Number		1
Adjustment range		sensor dependent
Hysteresis		adjustable
Relay contact		floating changeover contact
Load rating		60 V, 0.5 A DC / 30 V, 0.5 A AC
Error message		
Relay contact		floating normally open contact
Load rating		60 V, 0.5 A DC / 30 V, 0.5 A AC
Chart recorder output ($R_a > 10 \text{ k}\Omega$)		0 - 10 Volt, characteristic corresponds to the connected transmitter
Control input		PTR: high voltage on ITR 100: emission on
Interface RS 232 C		9-way Sub-D socket
Mains connection	V AC / Hz	85 V - 264 / 50-60
Power consumption	W	< 30
Weight	kg (lbs)	0.85 (1.9)
Protection class	IP	30

Ordering Information**CENTER ONE**

	Part No.
EURO version with 2 m EURO mains cord	230 002
US version with 2 m US mains cord	235 002
THERMOVAC, PENNINGVAC, CERA VAC and IONIVAC transmitter	see chapter "Products", para. "Active Sensors"
Connection cables for THERMOVAC and PENNINGVAC (Type A), CERA VAC (Type B analog, Type C digital) and IONIVAC (Type C)	see chapter "Products", para. "Connection Cables for Active Sensors"
Adapter panel for installation in a 3 HU, 19" rack	230 005
Screw terminal for the 9-way output socket	230 006

CENTER TWO / THREE



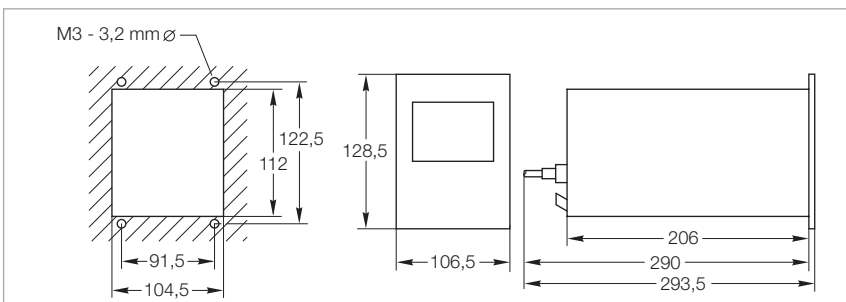
Universal display and operating units for the active sensors from the CERAVAC, THERMOVAC, PENNINGVAC and IONIVAC series. All channels are displayed simultaneously.

Advantages to the User

- Power supply voltage for the transmitters
- Display range from 1×10^{-10} to 2000 mbar (0.75×10^{-10} to 1500 Torr)
- Automatic switchover to exponential presentation of the measured data dependent on the pressure range
- Readout selectable between mbar, Torr, Micron or Pascal
- Adjustable switching thresholds with variable hysteresis, floating change-over contacts and visual indication of the switching status in the display, freely assignable to the individual measurement channels
- Zero correction for both display and chart recorder output through a key when using CERAVAC transmitters
- Option of entering gas correction factors for PENNINGVACs
- Separate chart recorder outputs 0 - 10 V for each measurement channel
- Additional chart recorder output 0 - 10 V programmable to several measurement channels
- RS 232 C interface with adjustable baud rate
- Relay output for error signalling
- Compact bench top enclosure (1/4 19", 3 HU)
- For fitting into 19", 3 HU racks

Connectable Sensors

- THERMOVAC
- TTR 211 *)
 - TTR 216 S *)
 - TTR 90 *)
 - TTR 91
 - TTR 96 S
 - TTR 100 *)
 - TTR 100 S2 *)
 - TTR 101
 - TTR 101 S2
 - TTR 911
 - TTR 916
- PENNINGVAC
- PTR 90
 - PTR 225
 - PTR 225 S
 - PTR 237
- CERAVAC
- CTR 90 *)
 - CTR 91 *)
 - CTR 100
 - CTR 101
- IONIVAC
- ITR 90
 - ITR 200 S
 - ITR 200 SL



Dimensional drawing and panel cut-out for the CENTER TWO and THREE

*) Connecting of older sensors possible

Technical Data

CENTER TWO

CENTER THREE

Number of measurement channels	2	3
Display for measured values	digital, 7 segment LED, 5 digits	digital, 7 segment LED, 5 digits
Measurement range mbar (Torr)	1 x 10 ⁻¹⁰ to 2000 (0.75 x 10 ⁻¹⁰ to 1500)	1 x 10 ⁻¹⁰ to 2000 (0.75 x 10 ⁻¹⁰ to 1500)
Unit of measurement (selectable)	mbar, Torr, microns, Pa	mbar, Torr, microns, Pa
Gas type correction	factor adjustable	factor adjustable
Sensor connection	15-way Sub-D socket FCC68 (RJ45)	15-way Sub-D socket FCC68 (RJ45)
Sensor power supply V DC	24	24
Electrical outputs	25-way Sub-D socket	25-way Sub-D socket
Switching thresholds	independently assignable	independently assignable
Number	4	6
Adjustment range	sensor dependent	sensor dependent
Hysteresis	adjustable	adjustable
Relay contact	floating changeover contact	floating changeover contact
Load rating	60 V, 0.5 A DC / 30 V, 0.5 A AC	60 V, 0.5 A DC / 30 V, 0.5 A AC
Error message		
Relay contact	floating normally open contact	floating normally open contact
Load rating	60 V, 0.5 A DC / 30 V, 0.5 A AC	60 V, 0.5 A DC / 30 V, 0.5 A AC
Chart recorder output (R _s > 10 kΩ)	0 - 10 V per measurement channel, output characteristic corresponds to the connected sensor, in addition one chart recorder output can be programmed	0 - 10 V per measurement channel, output characteristic corresponds to the connected sensor, in addition one chart recorder output can be programmed
Control input	PENNINGVAC PTR: high voltage on	PENNINGVAC PTR: high voltage on
Interface RS 232 C	9-way Sub-D socket	9-way Sub-D socket
Mains connection V AC / Hz	90 - 250 / 50/60	90 - 250 / 50/60
Power consumption W	< 45	< 65
Nominal temperature range °C	+5 to +50	+5 to +50
Weight kg (lbs)	1.1 (2.43)	1.2 (2.65)
Protection class IP	20	20

Ordering Information

CENTER TWO

CENTER THREE

	Part No.	Part No.
EURO version with 2 m EURO mains cord US version with 2 m US mains cord	230 004 235 004	230 003 235 003
THERMOVAC, PENNINGVAC, CERA VAC and IONIVAC transmitters	see chapter "Products", para. "Active Sensors"	see chapter "Products", para. "Active Sensors"
Connection cables for THERMOVAC and PENNINGVAC (Type A), CERA VAC Type B analog, Type C digital) and IONIVAC (Type C)	see chapter "Products", para. "Connection Cables for Active Sensors"	see chapter "Products", para. "Connection Cables for Active Sensors"
Screw terminal for the 9-way output socket	230 006	230 006

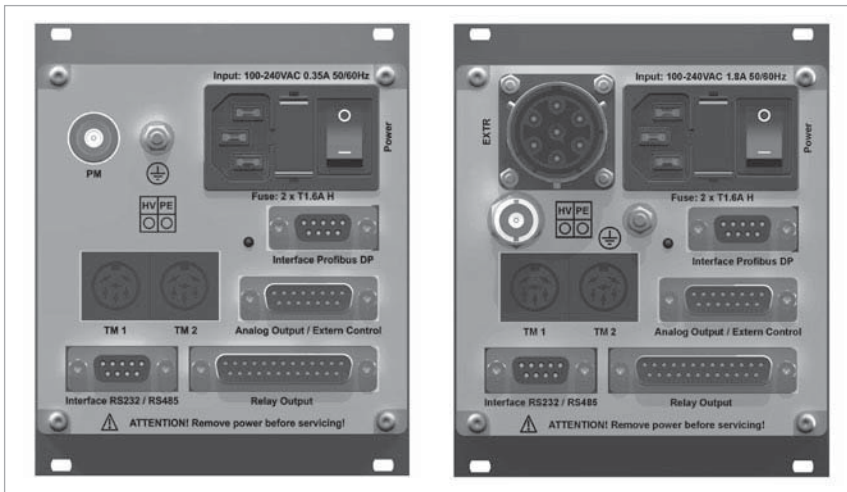
Ultra High Vacuum Operating Units and Passive Sensors

COMBIVAC CM 51/CM 52



The COMBIVAC CM 51 covers the complete pressure range between 10^{-9} and 1000 mbar by combining two measurement principles - THERMOVAC and PENNINGVAC - providing both monitoring and control functions.

The COMBIVAC CM 52 offers by combining two UHV principles of measurement (THERMOVAC absolute pressure sensor and Bayard-Alpert measurement system IE 414 or extractor measurement system IE 514) measurements of vacuum pressures in the range between 10^{-12} and 1000 mbar.



Rear side of the COMBIVAC CM 51 (left) and CM 52 (right)

Advantages to the User

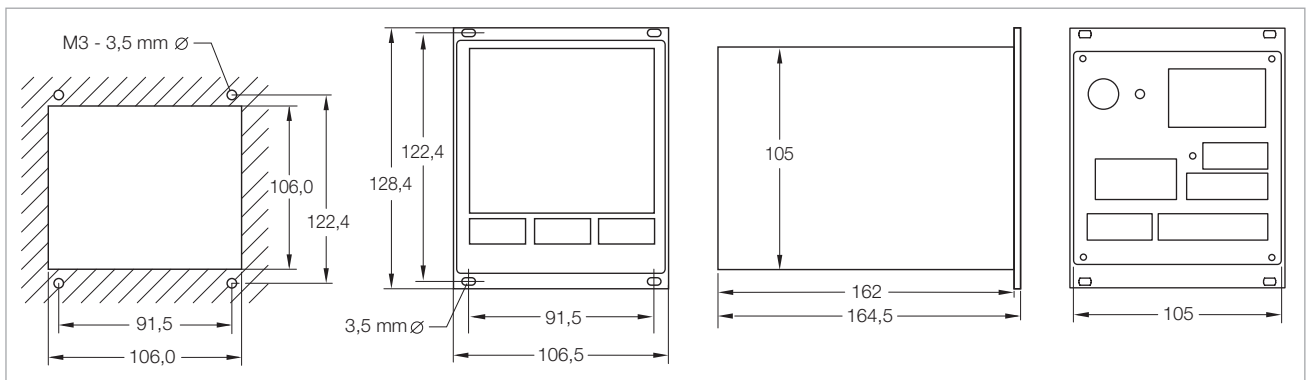
- Compact 3 channel operating unit for a pressure range for passive sensors of
 - 10^{-9} to 1000 mbar (CM 51)
 - 10^{-12} to 1000 mbar (CM 52)
- Automatic switchover from THERMOVAC operation to
 - Penning (cold cathode) operation (CM 51)
 - UHV sensors (Bayard-Alpert measurement system IE 414 or extractor measurement system IE 514) (CM 52)
- Measurement cable lengths up to 100 meters are possible depending on the type of application
- Easy to operate
- Keyboard locking through SOFT-LOCK
- Two adjustable switching thresholds with a relay contact for each measurement channel
- Logarithmic chart recorder output 0 - 10 V or 2 - 10 V
- Wide range power supply 100 - 240 V
- Unit of pressure selectable between mbar, Torr und Pascal
- Compact, rugged Penning sensor insensitive to operation at high pressures (see para. "Sensors")
- Aligned and temperature compensated THERMOVAC sensors (see para. "Sensors")
- Cost-effective replacement sensors and electrodes
- Error message for each channel, for example in the case of broken filament, defective sensor line or failed plasma discharge
- Compact benchtop enclosure (1/4 19", 3 HU) made of metal for installation in front panel cut outs and 19" racks
- RS 232 C and Profibus interface
- CE mark
- RoHS-compliant

Typical Applications

- Universal monitoring the operation of high vacuum pump systems like:
 - Turbomolecular pump systems
 - Diffusion pump systems
 - Cryogenic pump systems
- Annealing, melting, brazing and hardening furnaces
- Coating systems
- Analytical instrumentation
- Deployment in thermal radiation resistant and degassable systems is possible
- Particle accelerators

Connectable Sensors

- THERMOVAC
- TR 211
 - TR 211 NPT
 - TR 212
 - TR 216
- PENNINGVAC (only CM 51)
- PR 25
 - PR 26
 - PR 27
 - PR 28
- IONIVAC (only CM 52)
- IE 414
 - IE 514



Front panel cut-out (left) and dimensional drawing (right) for the COMBIVAC CM 51 and CM 52

Technical Data

COMBIVAC

CM 51

CM 52

		3	3
Number of measurement channels		3	3
Measurement range			
Channel 1, 2 (THERMOVAC)	mbar (Torr)	5 x 10 ⁻⁴ to 1000 (3.5 x 10 ⁻⁴ to 750)	5 x 10 ⁻⁴ to 1000 (3.5 x 10 ⁻⁴ to 750)
Channel 3 (PENNINGVAC)	mbar (Torr)	10 ⁻⁹ to 10 ⁻² (10 ⁻⁹ to 10 ⁻²)	–
Channel 3			
(IE 414 Bayard-Alpert)	mbar (Torr)	–	2 x 10 ⁻¹¹ to 1 x 10 ⁻² (1.5 x 10 ⁻¹¹ to 0.75 x 10 ⁻²)
(IE 514 Extractor)	mbar (Torr)	–	2 x 10 ⁻¹² to 1 x 10 ⁻⁴ (1.5 x 10 ⁻¹² to 0.75 x 10 ⁻⁴)
Unit of measurement (selectable)		mbar, Torr, Pa	mbar, Torr, Pa
Measurement uncertainty			
THERMOVAC		≤ 20% of the measured value in the range 10 ⁻³ to 10 ⁻² mbar (± 20%) in the range 10 ⁻² to 10 ² mbar (± 15%)	≤ 20% of the measured value in the range 10 ⁻³ to 10 ⁻² mbar (± 20%) in the range 10 ⁻² to 10 ² mbar (± 15%)
PENNINGVAC		± 30% of the measured value in the range 10 ⁻⁸ to 10 ⁻⁴ mbar	–
IE 414/514		–	± 10% of the displayed value (however, this value may increase depending on the type of application)
Measurement cable	m	up to 100 (application dependent)	up to 100 (application dependent)
Display for measured values		digital, 7 segment LED, 4 digit mantissa and 2 digit exponent	digital, 7 segment LED 4 digit mantissa and 2 digit exponent
Type of gas (selectable)		factor adjustable	factor adjustable
Switching thresholds		2 per channel	2 per channel
Operating mode		single, interval-trigger	single, interval-trigger
Adjustable switching thresholds			
THERMOVAC	mbar (Torr)	5 x 10 ⁻³ to 500 (5 x 10 ⁻³ to 375)	5 x 10 ⁻³ to 500 (5 x 10 ⁻³ to 375)
PENNINGVAC	mbar (Torr)	1 x 10 ⁻⁸ to 9.9 x 10 ⁻³ (0.75 x 10 ⁻⁸ to 7.4 x 10 ⁻³)	–
Bayard-Alpert	mbar (Torr)	–	1 x 10 ⁻⁸ to 5 x 10 ⁻³ (0.75 x 10 ⁻⁸ to 3.75 x 10 ⁻³)
Extractor	mbar (Torr)	–	1 x 10 ⁻¹¹ to 1 x 10 ⁻¹¹ (0.75 x 10 ⁻¹¹ to 0.75 x 10 ⁻¹¹)
Switching relay hysteresis		10% of the trigger value (default), freely adjustable for THERMOVAC and PENNINGVAC	10% of the trigger value (default), freely adjustable for THERMOVAC and IE 414 or 514
Relay contact load rating		AC/DC, max. 30 V / 1 A	AC/DC, max. 30 V / 1 A
Chart recorder output (default)			
THERMOVAC		0 to 10 V, log. divisions linear: 3 decades, approximately 10.5 V in case of a failure, logarithmic: (1 x 10 ⁻³ mbar), 1.67 V/decade	0 to 10 V, log. divisions linear: 3 decades, approximately 10.5 V in case of a failure logarithmic: (1 x 10 ⁻³ mbar), 1.67 V/decade
PENNINGVAC		logarithmic: (1 x 10 ⁻⁹ mbar), 1.43 V/ decade	–
IE 414 or 514		–	logarithmic: (1 x 10 ⁻¹² mbar), 1.00 V/decade
Interface		RS 232 C, RS 485 and Profibus	RS 232 C, RS 485 and Profibus
Mains connection 50/60 Hz	V AC	100 - 240	100 - 240
Power consumption	W	< 10	65
Storage temperature range	°C	-20 to +60	-20 to +65
Nominal temperature range	°C	+5 to +50	+5 to +50
Max. rel. humidity	% n.c.	80	80
Weight	kg (lbs)	1.4 (3.09)	1.4 (3.09)
Dimension (W x H x D)	mm	106.4 x 128.5 x 164.5	106.4 x 128.5 x 164.5
Installation depth	mm	approx. 220	approx. 220
Protection class	IP	40	40

Ordering Information

COMBIVAC

	CM 51	CM 52
	Part No.	Part No.
Operating unit COMBIVAC CM 51/52 including EURO and US mains cord, 2 m with RS 232 C / 485 with Profibus DB	230 110 230 111	230 115 230 116
Cable adapter CM 31 - CM 51	230 112 V01	-
Options		
19" installation frame	161 00	161 00
1/4 19" blank panel	161 02	161 02
THERMOVAC sensors for CM 51/52		
TR 211, DN 16 ISO-KF	157 85	157 85
TR 211, 1/8" NPT	896 33	896 33
TR 212, DN 16 ISO-KF	158 52	158 52
TR 212, DN 16 CF	157 86	157 86
TR 216, DN 16 ISO-KF	157 87	157 87
Gauge head cables for TR sensors		
5 m	162 26	162 26
10 m	162 27	162 27
15 m	124 34	124 34
20 m	162 28	162 28
30 m	124 35	124 35
50 m	124 37	124 37
75 m	124 38	124 38
100 m	124 39	124 39
PENNINGVAC sensors for CM 51		
PR 25, DN 25 ISO-KF	157 52	-
PR 26, DN 40 ISO-KF	136 46	-
PR 27, DN 40 CF	136 47	-
PR 28, DN 40 CF, bakeable	136 48	-
Gauge cables for PR sensors		
5 m	162 88	-
10 m	162 89	-
15 m	124 49	-
20 m	157 56	-
30 m	124 50	-
50 m	124 52	-
75 m	124 53	-
100 m	124 54	-
IONIVAC sensors for CM 52		
IE 414, DN 40 CF	-	158 66
IE 514, DN 40 CF	-	158 67
Mains cable		
3 m (US)	800 102 V1002	800 102 V1002
Gauge head cables for IE sensors		
5 m	-	158 68
10 m	-	150 88
15 m	-	230 670 V01
5 m, bakeable to 200 °C	-	158 44
10 m, bakeable to 200 °C	-	230 671 V01
Extension cables for IE 414/514		
10 m	-	245 002
20 m	-	200 02 937
50 m	-	245 010 V01
up to 100 m (application dependent)	-	upon request

THERMOVAC Sensors

TR 211 / TR 211 NPT / TR 212 / TR 216



These passive sensors use thermal conductivity technology according to Pirani.

Advantages to the User

- Measurement range 5×10^{-4} to 1000 mbar (3.75×10^{-4} to 750 Torr)
- Tungsten or platinum filament
- Cost-effective sensing cell
- Fully aligned and temperature compensated 0 to +40 °C
- Constant filament temperature

TR 211

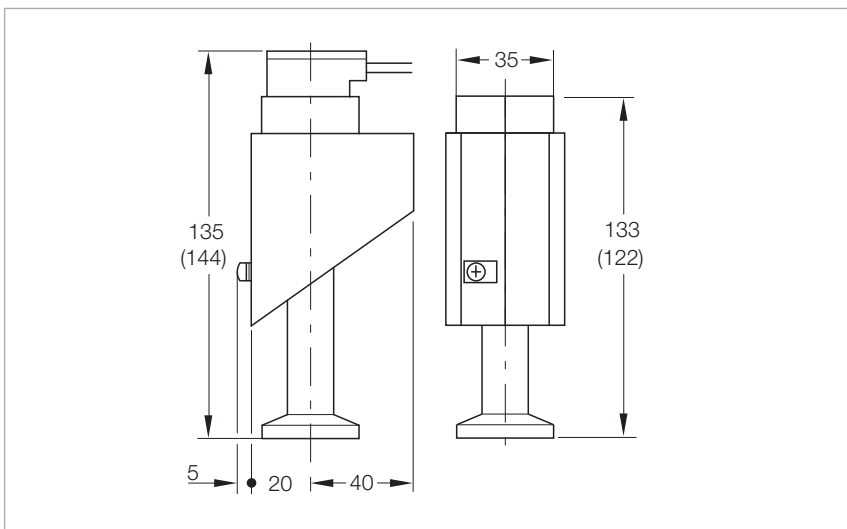
- Aluminum sensing cell with tungsten filament
- Improved temperature compensation

TR 216

- Stainless steel sensing cell with platinum filament and ceramics feed through
- Well suited for corrosive processes and water vapor atmospheres

TR 211 NPT/TR 212

- Stainless steel sensing cell with tungsten filament
- Overpressure resistant



Dimensional drawing for the TR 211, TR 212 and TR 216; TR 211 NPT in brackets

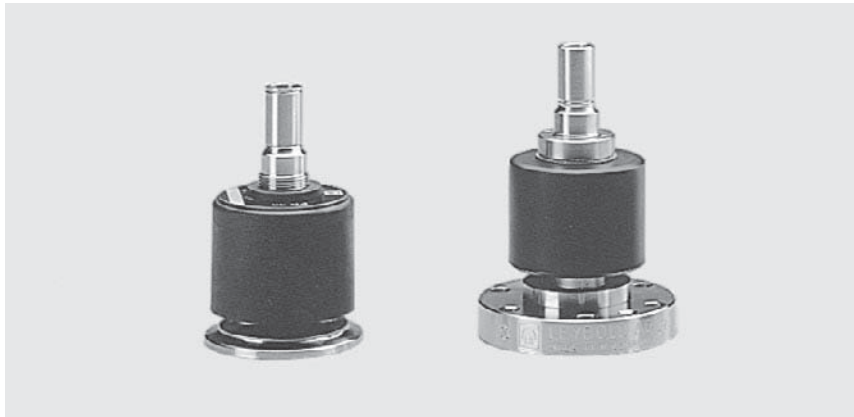
Technical Data
TR 211
TR 211 NPT
TR 212
TR 216

Measurement range	mbar (Torr)	5 x 10 ⁻⁴ to 1000 (3.8 x 10 ⁻⁴ to 7.5 x 10 ²)	5 x 10 ⁻⁴ to 1000 (3.8 x 10 ⁻⁴ to 7.5 x 10 ²)	5 x 10 ⁻⁴ to 1000 (3.8 x 10 ⁻⁴ to 7.5 x 10 ²)	5 x 10 ⁻⁴ to 1000 (3.8 x 10 ⁻⁴ to 7.5 x 10 ²)
Operating temperature range (compensated)	°C	0 to +40	0 to +40	0 to +40	0 to +40
Storage temperature range, max.	°C	80	80	80	80
Filament		Tungsten	Tungsten	Tungsten	Platin
Filament temperature	°C	110	110	110	110
Permissible overload (abs.), max.	bar	3	3	10	10
Volume of the sensing cell, approx.	cm ³	11	11	11	11
Vacuum connection	DN	16 ISO-KF	1/8" NPT	16 ISO-KF/16 CF	16 ISO-KF
Materials in contact with the medium		Aluminum, Vacon, Glass, Tungsten CrNi 8020,	Stainless steel, Vacon, Glass, Tungsten CrNi 8020 epoxy cement	Stainless steel, Vacon, Glass, Tungsten CrNi 8020	Stainless steel 1.4301 (SS 304), Al ₂ O ₃ ² , CrNi 8020, Platinum
Operating units		THERMOVAC TM 21, 22, 23 / COMBIVAC CM 31, 32, 33, 51 / PIEZOVAC PV 20	THERMOVAC TM 21, 22, 23 / COMBIVAC CM 31, 32, 33, 51 / PIEZOVAC PV 20	THERMOVAC TM 21, 22, 23 / COMBIVAC CM 31, 32, 33, 51 / PIEZOVAC PV 20	THERMOVAC TM 21, 22, 23 / COMBIVAC CM 31, 32, 33, 51 / PIEZOVAC PV 20

Ordering Information
TR 211
TR 211 NPT
TR 212
TR 216

	Part No.	Part No.	Part No.	Part No.
THERMOVAC sensors Series 200				
DN 16 ISO-KF	157 85	-	158 52	157 87
DN 16 CF	-	-	157 86	-
DN 1/8" NPT	-	896 33	-	-
Replacement sensing cell	E 157 75	E 896 34	-	E 157 77

PENNINGVAC Sensors PR 25 / PR 26 / PR 27 / PR 28



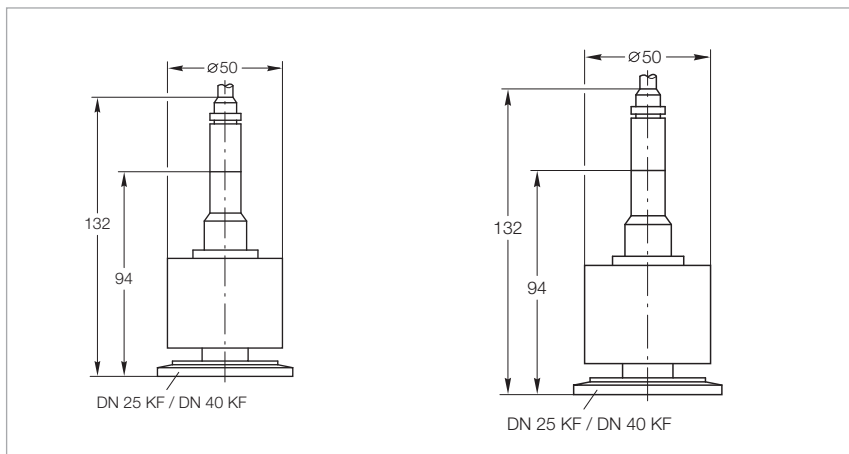
These passive sensors use cold cathode ionization technology according to Penning.

Advantages to the User

- Rugged
- Insensitive to air inrushes and vibrations
- Easy disassembly and cleaning of the measurement system
- Exchangeable cathode plate
- Improved ignition characteristic through titanium cathodes

Option

For protection of the PENNINGVAC sensors against contamination, radiation and other disturbing factors the installation of a baffle is recommended.



Dimensional drawing for the PENNINGVAC PR sensors

Technical Data**PR 25****PR 26****PR 27****PR 28**

Measurement range	mbar (Torr)	1 x 10 ⁻⁹ to 10 ⁻² (0.75 x 10 ⁻⁹ to 10 ⁻²)	1 x 10 ⁻⁹ to 10 ⁻² (0.75 x 10 ⁻⁹ to 10 ⁻²)	1 x 10 ⁻⁹ to 10 ⁻² (0.75 x 10 ⁻⁹ to 10 ⁻²)	1 x 10 ⁻⁹ to 10 ⁻² (0.75 x 10 ⁻⁹ to 10 ⁻²)
High voltage supply (anode potential)					
Trigger voltage	kV	3.3	3.3	3.3	3.3
Operation voltage	kV	1.6	1.6	1.6	1.6
Storage temperature range	°C	-25 to +80	-25 to +80	-25 to +80	-25 to +80
Nominal temperature range	°C	0 to +80	0 to +80	0 to +80	0 to +200
Bake out temperature (flange)	°C	-	-	-	200
Permissible overload (abs.)	bar	6 ¹⁾	6 ¹⁾	6 ¹⁾	6 ¹⁾
Dead volume	cm ³	21	21	21	21
Materials in contact with the medium		Stainless steel, Nichrome, Ceramics, Titanium	Stainless steel, Nichrome, Ceramics, Titanium	Stainless steel, Nichrome, Ceramics, Titanium	Stainless steel, Nichrome, Ceramics, Titanium
Weight, approx.	kg (lbs)	0.75 (1.66)	0.75 (1.66)	0.8 (1.66)	0.8 (1.66)
Vacuum connection	DN	25 ISO-KF	40 ISO-KF	40 CF	40 CF
Operating units		COMBIVAC CM 31, 32, 33, 51 / PENNINGVAC PM 31	COMBIVAC CM 31, 32, 33, 51 / PENNINGVAC PM 31	COMBIVAC CM 31, 32, 33, 51 / PENNINGVAC PM 31	COMBIVAC CM 31, 32, 33, 51 / PENNINGVAC PM 31

Ordering Information**PR 25****PR 26****PR 27****PR 28**

	Part No.	Part No.	Part No.	Part No.
PENNINGVAC sensors	157 52	136 46	136 47	136 48
Replacement cathode plate, titanium (5 pcs., incl. 5 ceramics discs)	EK 162 91	EK 162 91	EK 162 91	EK 162 91
Replacement anode ring	200 28 711	200 28 711	200 28 711	200 28 711
Baffle, with centering ring (FPM (FKM))				
DN 25	230 078	-	-	-
DN 40	-	230 079	-	-

¹⁾ When using an ultra sealing gasket at the vacuum connection

Note:

PR 26 replaces PR 31, 32, 35

PR 27 replaces PR 36

IONIVAC IM 540



The 3-channel display and operating unit IONIVAC IM 540 offers, by combination of up to 4 different principles of measurement - Pirani, capacitive, Bayard-Alpert and Extractor -, complete coverage and control of the vacuum pressure in the range between 10^{-12} mbar and atmospheric pressure.

Advantages to the User

- Precise UHV pressure measurements with the Bayard-Alpert sensor IE 414 (offering excellent longterm stability) or the Extractor sensor IE 514 (offering an extremely low X-ray limit of $< 1 \times 10^{-12}$ mbar)
- 1 measurement channel for IONIVAC sensor (Bayard-Alpert or Extractor)
- Possibility of simultaneously connecting a second IONIVAC sensor
- Degassing of the anode through electron bombardment with time-limit
- Continuous UHV measurement also during the degassing phase (up to $+250$ °C with bakeable gauge head cable)
- 2 measurement channels for direct connection of transmitters from the series THERMOVAC TTR and CERA VAC CTR
- Selectable pressure units (mbar, Torr, Pascal, Micron)
- Display of a single measurement channel with pressure trend through analogue bargraph or simultaneous display of all measurement channels
- Two adjustable thresholds with adjustable hysteresis and freely assignable to the measurement channels

- Compact benchtop enclosure (1/2 19", 3 HU)
- RS 232 C interface provided as standard
- Simple software updates possible through the RS 232 interface
- Profibus interface (optional)
- CE mark

Typical Applications

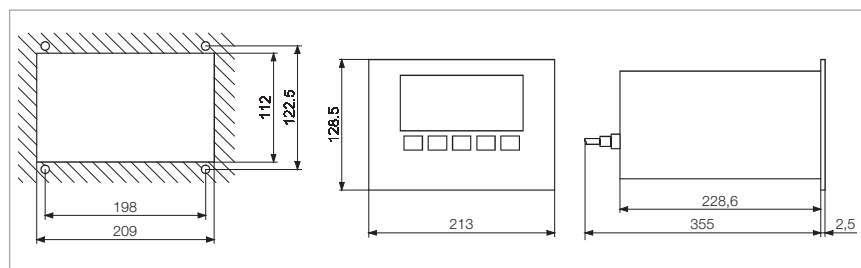
- Pressure measurement and control in the UHV range
- Measurement of ultimate pressure in UHV systems
- Checking of ultimate pressure in semiconductor production
- Total pressure measurements in the area of cryo technology
- Total pressure measurements in calibration systems

Connectable Sensors

- Bayard-Alpert sensor IE 414
- Extractor sensor IE 514 (see Chapter "Additional Sensors") combined with
- THERMOVAC TTR 211, TTR 216 S, TTR 90, TTR 91 and TTR 96 S
- CERA VAC CTR 90, CTR 91 and CTR 100 (see Chapter "Active Sensors")

Two passive sensors working with ionization technology (IE 414 and/or IE 514) could be connected simultaneously to the IONIVAC IM 540 while only one is in operation.

A pressure dependent emission control of these sensors is possible if a THERMOVAC TTR or CERA VAC CTR 100/CTR 91 of suitable range overlap is connected



Front panel cut-out (left) and dimensional drawing (right) for the IONIVAC IM 540

Technical Data

IONIVAC IM 540

Number of measurement channels		3
Bayard-Alpert / Extractor		Channel 1 or 2
THERMOVAC / CERA VAC		Channel 3 and 4
Measurement range	mbar (Torr)	1×10^{-12} to 1100 (0.75×10^{-12} to 825)
Measurement range Extractor	mbar (Torr)	1×10^{-12} to 1×10^{-4} (0.75×10^{-12} to 0.75×10^{-4})
Measurement range Bayard-Alpert	mbar (Torr)	1×10^{-11} to 1×10^{-2} (0.75×10^{-11} to 0.75×10^{-2})
Measurement range switching		automatic or decade pre-select
Units of measurement (selectable)		mbar, Torr, microns, Pa
Measurement uncertainty	%	± 10 of the value displayed
Trend indication		bargraph
Measurement value display rate		1×10^{-10} to 1×10^{-2} mbar, 5 s^{-1} 1×10^{-12} to 1×10^{-10} mbar, 0.5 s^{-1}
Emission current		
Extractor sensor	mA	1.6
Bayard-Alpert sensor	mA	0.1 to 10; automatic control
Emission current shutdown at		$p > 1 \times 10^{-2}$ mbar, broken cathode, short-circuit, interruption of the electric circuit
Bake out power		
Extractor / Bayard-Alpert	W	20 / 40
Sensor power supply, potential for		anode Extractor / Bayard-Alpert: 220 V, cathode Extractor / Bayard-Alpert: 100 V/80 V, Reflector Extractor: 205 V
Sensor connections		Bayard-Alpert and Extractor - single operation is possible 2 x Bayard-Alpert or Extractor (redundant operation)
Measurement system detection		automatically
Measurement system switchover		automatically, pressure dependent, error dependent
Chart recorder outputs		logarithmic 0 to 10 V (1 V / dec.) or linear 0 to 10 Volt error indication $U > 10.5 \text{ V}$
Extractor / Bayard-Alpert ($R_a = 2,5 \text{ k}\Omega$)		
Interface (standard / optional)		RS 232 C / Profibus
Switching thresholds (single operation or interval)		2 with floating changeover contact
Mains connection	V AC / Hz	90 - 264 / 50/60
Storage temperature range	°C	-40 to +60
Nominal temperature range	°C	+5 to +50
Dimensions of the benchtop instrument (W x H x D)	mm	213 x 128,5 x 250
Weight, approx.	kg (lbs)	3.0 (6.62)

Ordering Information

IONIVAC IM 540

	Part No.
IONIVAC IM 540 with mains cord 2 m (EURO and US)	230 100
Options Profibus DP interface	230 101
Calibration	see chapter "Miscellaneous", para. "Oerlikon Leybold Vacuum Calibration Service"
IONIVAC sensors	
IE 414, DN 40 CF	158 66
Replacement cathode IE 414	158 63
IE 514, DN 40 CF	158 67
Replacement cathode IE 514	158 61
Gauge head cables for IE 414/514	
5 m	158 68
10 m	150 88
15 m	230 670 V01
5 m, bakeable to 200 °C	158 44
10 m, bakeable to 200 °C	230 671 V01
Extension cables for IE 414/514	
10 m	245 002
20 m	200 02 937
THERMOVAC transmitter TTR	see chapter "Products", para. "Active Sensors"
Connection cable for THERMOVAC (Type A)	see chapter "Products", para. "Connection Cable for Active Sensors"
CERAVAC transmitter CTR	see chapter "Products", para. "Active Sensors"
Connection cable for CERAVAC (Type B)	see chapter "Products", para. "Connection Cable for Active Sensors"

IONIVAC Sensors IE 414 and IE 514



These passive sensors use hot cathode ionization technology.

IE 414

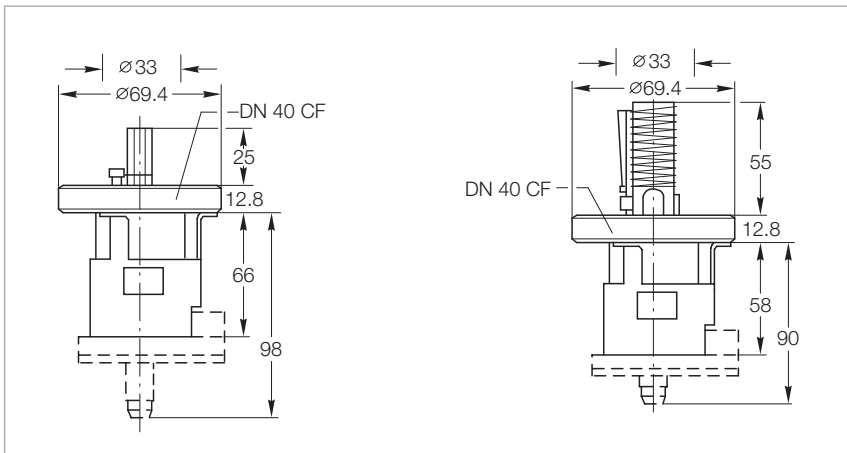
- Bayard-Alpert sensing system
- Measurement range to 2×10^{-11} mbar (1.5×10^{-11} Torr)
- Protection shield welded in place

IE 514

- Extractor sensing system
- Reliable to 1×10^{-12} mbar (0.75×10^{-12} Torr)
- Significant reduction of X-ray and ion desorption effects

Advantages to the User

- Exchangeable cathode
- High accuracy of the measurements due to individually calibrated sensing system



Dimensional drawing for the IE 414 (left) and IE 514 (right)

Technical Data
IE 414
IE 514

Measurement range	mbar (Torr)	2×10^{-11} to 10^{-2} (1.5×10^{-11} to 10^{-2})	10^{-12} to 1×10^{-4} (10^{-12} to 7.5×10^{-5})
X-ray limit	mbar (Torr)	$\leq 10^{-11}$ ($\leq 10^{-11}$)	$\leq 10^{-12}$ ($\leq 10^{-12}$)
Operating temperature range	°C	0 to +80	0 to +80
Degassing temperature at the flange, max.	°C	200 ¹⁾ / 350 ²⁾	200 ¹⁾ / 350 ²⁾
Material			
Cathode		Iridium with yttric oxid coating	Iridium with yttric oxid coating
Feedthrough pins		NiFe 42	NiFe 42
Anode		Pt/Ir 90/10/pt wire	Mo and CoNiCr
Vacuum connection	DN	40 CF	40 CF
Adjustment data			
Ion detector potential	V	0	0
Cathode potential	V	80	100
Anode potential	V	220	220
Emission current	mA	0.06 to 0.6	1.6
Heating current for the hot cathode	A	1.4	1.4
Heating current for the hot cathode	V	.7	3.7
Heating current for the hot cathode	mbar ⁻¹	17.0	6.6
Bake out operation, Electron bombardment	V / mA	700 / 30	700 / 30
Operating units		IM 520, 510, 540	IM 520, 510, 540

Ordering Information
IE 414
IE 514

	Part No.	Part No.
IONIVAC sensors	158 66	158 67
Replacement cathode	158 63	158 61

¹⁾ With bakeable gauge head cable

²⁾ With gauge head cable detached

Additional Sensors

Linear Pressure Sensors DI/DU 200, DI/DU 201, DI/DU 2000, DI/DU 2001, DI/DU 2001 rel.



DI 200 (left) and DI 2000 (right), DU similar

Piezo or capacitive pressure sensor based on ceramics technology. Available as absolute alternatively relative pressure sensor.

Advantages to the User

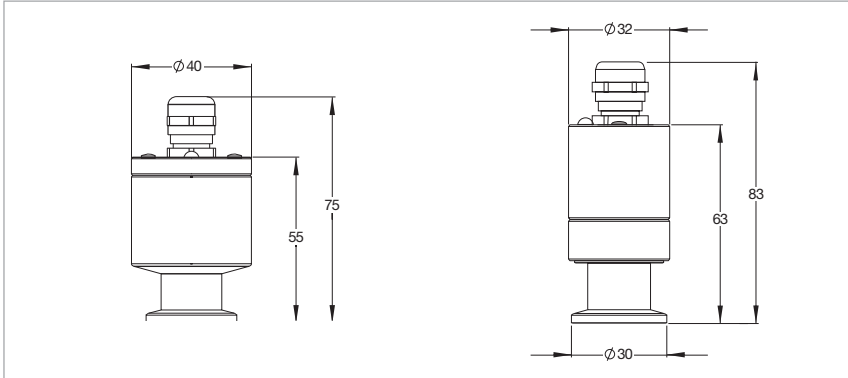
- Absolute pressure ranges from 0.1 to 200 mbar or 1 to 2000 mbar
- Relative pressure range from -1000 mbar to +1000 mbar
- Excellent overload characteristic due to the Al_2O_3 ceramics dia-phragm
- Highly corrosion resistant
- Independent of the type of gas
- Vibration resistant
- 2-wire pressure sensor (DI)
- 4-wire pressure sensor (DU)
- Supply voltage range
12 to 30 V DC (DI)
14.5 to 30 V DC (DU)
- Linear output signal 4 to 20 mA (DI)
- Linear output signal 2 to 10 V (DU)
- Compact design
- Digital zero adjustment possible via pushbutton
- IP 54 rated stainless steel housing (DI/DU 200 und DI/DU 201),
IP 54 rated aluminum housing (DI/DU 2000 und DI/DU 2001)
- DN 16 ISO-KF connection with female G 1/4" inside thread

Typical Applications

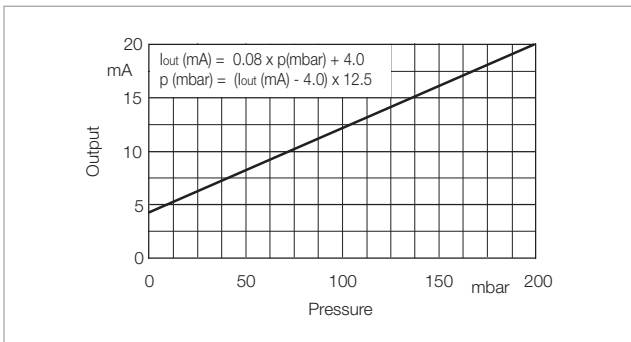
- Pressure measurements in the rough vacuum range, and for corrosive media (Solar, coating)
- Chemical process engineering
- Vacuum packaging
- Drying processes
- Casting resin technology (degassing of potting compounds)
- Measurement of operating and filling pressure, during the production of lamps
- Filling systems for brake fluids (DI 201/DI 2001)
- Filling systems for refrigerants
- Measurement of pressure relative to atmospheric pressure (DI/DU 2001 rel.)

Operating Units for DU sensors

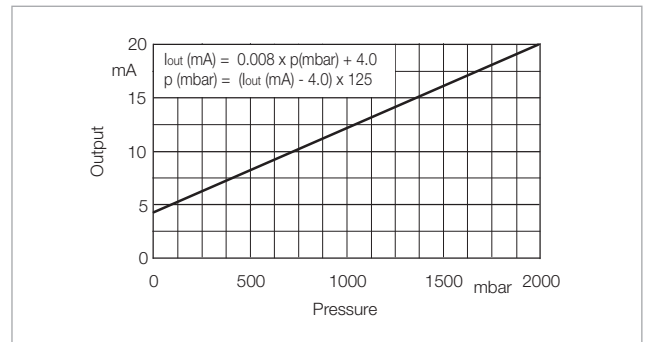
- DISPLAY
- ONE
 - TWO
 - THREE
- CENTER
- ONE
 - TWO
 - THREE



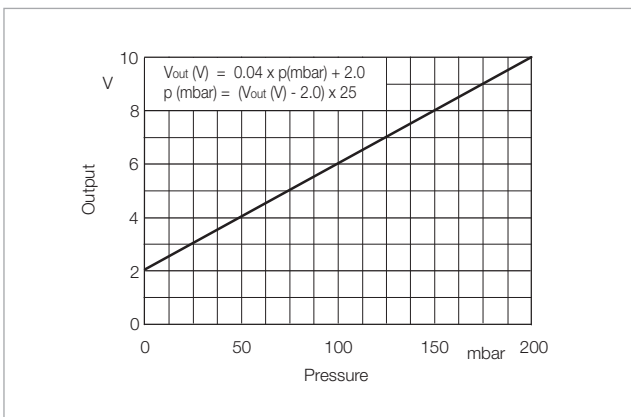
Dimensional drawing for the sensors
DI/DU 200 and DI/DU 201 (left), DI/DU 2000 and DI/DU 2001 (right)



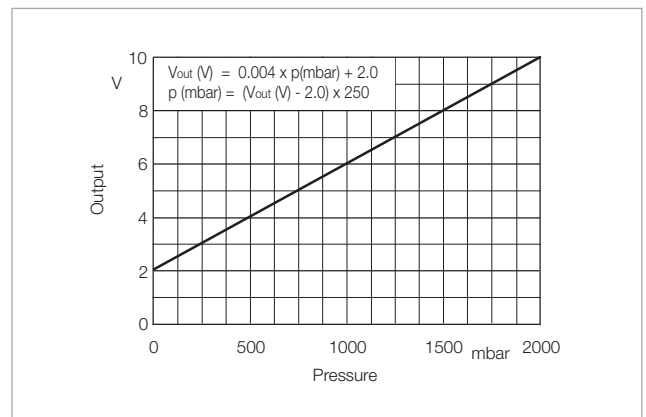
Characteristic of the DI 200 and DI 201 Sensors



Characteristic of the DI 2000 and DI 2001 Sensors



Characteristic of the DU 200 and DU 201 Sensors



Characteristic of the DU 2000 and DU 2001 Sensors

Technical Data

DI/DU 200

DI/DU 201

DI/DU 2000

DI/DU 2001

DI/DU 2001 rel.

Measurement range	mbar (Torr)	0.1 to 200 (0.075 to 150)	0.1 to 200 (0.075 to 150)	1 to 2000 (0.75 to 1500)	1 to 2000 (0.75 to 1500)	-1000 to +1000 (-750 to +750) relative pressure
Overload range, max. (flange side)	bar	6	6	5	5	5
Nominal temperature range	°C	0 to +60	0 to +60	0 to +60	0 to +60	0 to +60
Measurement uncertainty ¹⁾	% FS	0.25	0.25	0.25	0.25	0.25 ³⁾
Repeatability	% FS	0.05	0.05	0.05	0.05	0.05
Temperature error						
Zero drift	% FS/10°K	0.1	0.1	0.1	0.1	0.1
Sensitivity drift	% FS/10°K	0.15	0.15	0.15	0.15	0.15
Measurement principle, gas type independent		Capacitive	Capacitive	Piezoresistive	Piezoresistive	Piezoresistive
Sensing head supply						
DI		Two-wire system	Two-wire system	Two-wire system	Two-wire system	Two-wire system
DU		Four-wire system	Four-wire system	Four-wire system	Four-wire system	Four-wire system
Output signal						
DI	mA	4 to 20	4 to 20	4 to 20	4 to 20	4 to 20
DU	V	2 to 10	2 to 10	2 to 10	2 to 10	2 to 10
Supply voltage						
Operating range						
DI	V DC	12 to 30	12 to 30	12 to 30	12 to 30	12 to 30
DU	V DC	14.5 to 30	14.5 to 30	14.5 to 30	14.5 to 30	14.5 to 30
Dead volume	cm ³	3,9	3,9	1,8	1,8	1,8
Vacuum connection	DN	16 ISO-KF	16 ISO-KF	16 ISO-KF	16 ISO-KF	16 ISO-KF
Electrical connection						
DI		diode plug 7pole, cable 5 m	diode plug 7pole, cable 5 m	diode plug 7pole, cable 5 m	diode plug 7pole, cable 5 m	diode plug 7pole, cable 5 m
DU		plug FCC 68, cable 5 m	plug FCC 68, cable 5 m	plug FCC 68, cable 5 m	plug FCC 68, cable 5 m	plug FCC 68, cable 5 m
Weight, approx.						
DI	kg (lbs)	0.36 (0.79)	0.36 (0.79)	0.26 (0.57)	0.26 (0.57)	0.26 (0.57)
DU	kg (lbs)	0.34 (0.75)	0.34 (0.75)	0.24 (0.53)	0.24 (0.53)	0.24 (0.53)
Protection class	IP	54	54	54	54	54
Materials in contact with the medium		Stainless Steel 1.4305 Al ₂ O ₃ (96 %) Ceramics FPM (FKM)	Stainless Steel 1.4305 Al ₂ O ₃ (96 %) Ceramics EPDM	Stainless Steel 1.4305 Al ₂ O ₃ (96 %) Ceramics FPM (FKM)	Stainless Steel, 1.4305 Al ₂ O ₃ (96 %) Ceramics, EPDM	Stainless Steel 1.4305 Al ₂ O ₃ (96 %) Ceramics EPDM
Operating units						
DI series		-	-	-	-	-
DU series ²⁾		DISPLAY ONE, TWO, THREE CENTER ONE, TWO, THREE	DISPLAY ONE, TWO, THREE CENTER ONE, TWO, THREE	DISPLAY ONE, TWO, THREE CENTER ONE, TWO, THREE	DISPLAY ONE, TWO, THREE CENTER ONE, TWO, THREE	DISPLAY ONE, TWO, THREE CENTER ONE, TWO, THREE

¹⁾ Sum of linearity, hysteresis and reproducibility

²⁾ May possibly require a firmware update

³⁾ 0.25 % FS in the range of -1000 ... + 200 mbar / 0.5 % FS in the range of > +200 mbar

Ordering Information

DI 200

DI 201

DI 2000

DI 2001

DI 2001 rel.

	Part No.	Part No.	Part No.	Part No.	Part No.
Linear sensor DI complete with 5 m long connection cable and connecting plug (circular connector)	158 12V01	158 14V01	158 13V01	158 15V01	245 000V01
Extension cable circular connector, 7-pole socket/plug					
10 m	200 04 112	200 04 112	200 04 112	200 04 112	200 04 112
20 m	200 02 645	200 02 645	200 02 645	200 02 645	200 02 645

Ordering Information

DU 200

DU 201

DU 2000

DU 2001

DU 2001 rel.

	Part No.	Part No.	Part No.	Part No.	Part No.
Linear sensor DU complete with 5 m long connection cable and connecting plug (FCC68)	230500V01	230501V01	230502V01	230503V01	230504V01
Extension cable FCC68, socket/plug					
10 m	230505V01	230505V01	230505V01	230505V01	230505V01
20 m	230506V01	230506V01	230506V01	230506V01	230506V01
Operating unit					
DISPLAY ONE	230 001	230 001	230 001	230 001	230 001
DISPLAY TWO	230 024	230 024	230 024	230 024	230 024
DISPLAY THREE	230 025	230 025	230 025	230 025	230 025
CENTER ONE	see chapter "Products", "Operating Units for Active Sensors"				
CENTER TWO	see chapter "Products", "Operating Units for Active Sensors"				
CENTER THREE	see chapter "Products", "Operating Units for Active Sensors"				

Older Sensors / Replacement Sensors



Linear pressure sensor



Replacement sensor TTR 211



Replacement sensor TTR 216

Type

Corresponding Sensors/ Operating Units

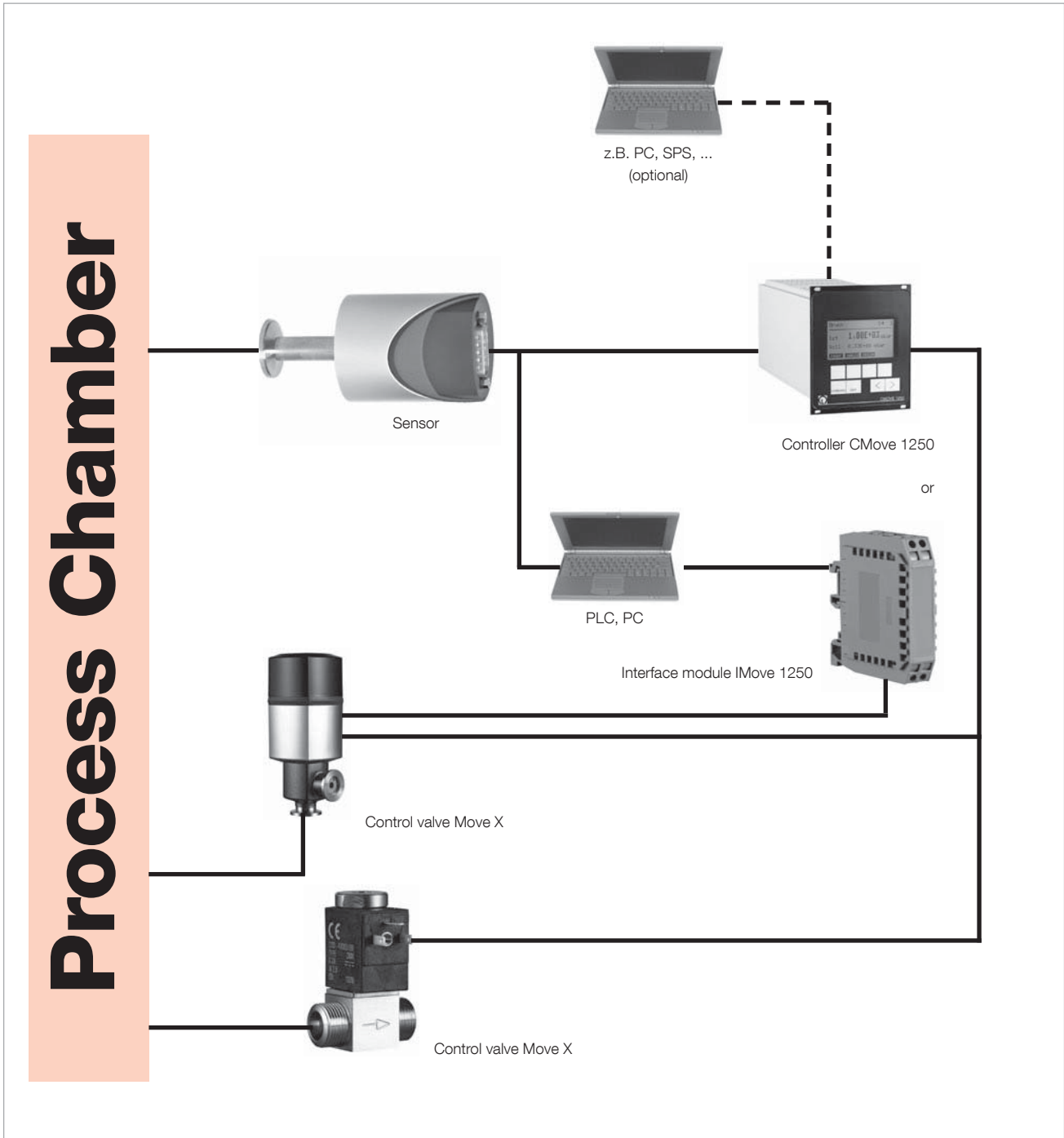
Ordering Information

		Part No.
Replacement sensor TTR 211	TTR 211 PB / D	E 157 75
Replacement sensor TTR 216	TTR 216 PB / D	E 157 77
Replacement spare sensor IE 100 DN 25 ISO-KF DN 40 CF	ITR 100 ITR 100	E 163 61 E 163 67
Replacement spare cathode IE 413	IM 510	158 63
Linear pressure sensor (Previous version)	DI 200 DI 201 DI 2000 DI-Adaptor for CENTER series ¹⁾ DI 2000 Adaptor	158 12 158 14 158 13 245009V01 245022V01

¹⁾ For all DI-Sensors

Pressure Switches and Control Instruments

Pressure Control System Move



Control Valves Move 1250 and Move X

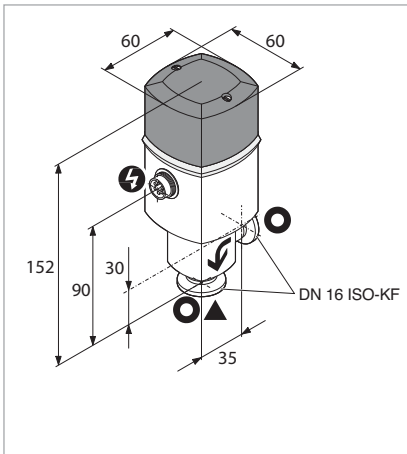


Control valve Move 1250

Control Valve Move 1250

Advantages to the User

- Extended control range from 1×10^{-6} to 1250 mbar x l/s
- High controllable gas throughput
- Corrosion resistant owing to FPM (FKM)/stainless steel
- In combination with CMove the valve closes automatically in the event of a power failure
- Valve driven either by the controller CMove 1250 or by a PC or a PLC through the IMove interface
- Electromotive pressure control with variable gas flow (upstream regulation) or with variable conductance (downstream regulation)



Dimensional drawing for the Move 1250

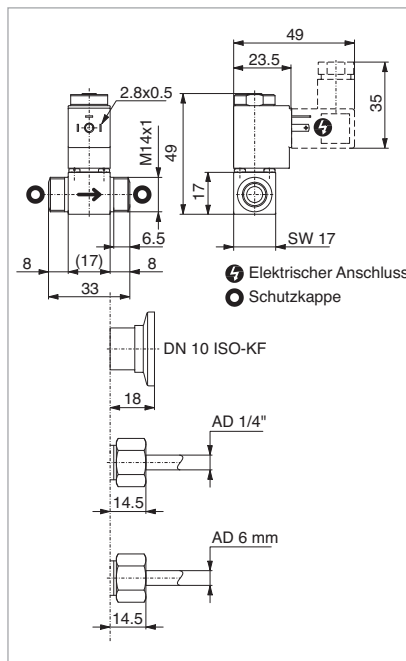


Control valve Move X

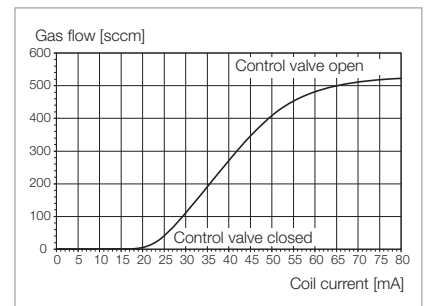
Control Valve Move X

Advantages to the User

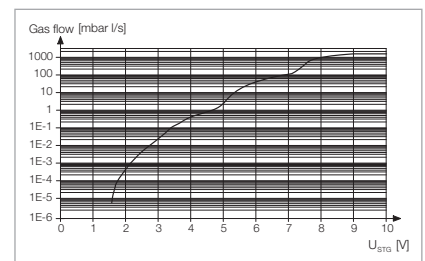
- 6 different valves for the gas flows ranging from 10 sccm FS to 5000 sccm FS
- Fast response
- Electromagnetic pressure regulation with variable gas flow (upstream regulation)
- Normally closed
- Many adapters are available



Dimensional drawing for the Move X with connection adapter



Example of a gas flow curve (mean value of 500 sccm FS) at a differential pressure of $\Delta p = 1$ bar for Move X



Gas flow curve of the Move 1250

Technical Data

Control Valve

Move 1250

Move X

Vacuum connection		DN 16 ISO-KF	Threaded connection M 14 x 1 for accepting of: Flange connection DN 10 ISO-KF Pipe connection Ø 1/4" Pipe connection Ø 6 mm
Mounting orientation		Any	Any, preferably vertical
Leak tightness	mbar x l/s	1×10^{-9}	1×10^{-9}
Pressure range		1×10^{-8} mbar to 2.5 bar (absolute)	1×10^{-8} mbar to 1000 mbar (max. pressure in closing direction 2 bar)
Gas flow ¹⁾ with filter, on the inlet side		5×10^{-6} to 1250 mbar x l/s	10 sccm FS ^{2), 3)} 50 sccm FS ^{2), 3)} 100 sccm FS ^{2), 3)} 500 sccm FS ^{2), 3)} 1000 sccm FS ^{2), 3)} 5000 sccm FS ^{2), 3)}
with filter, on the inlet and the vacuum side	mbar x l/s	5×10^{-6} to 1000	–
Power supply			
Operation voltage	V DC	24 ($\pm 10\%$)	0 to 24
Power consumption	VA	12	2.5 max.
Current consumption	mA	500, 20 to 30 (closed circuit current)	–
Actuation		Step motor	Coil
Digital		CMove or IMove 1250	CMove 1250
Analog	V DC	0 to 10	–
Type of protection	IP	40	51
Closing time / opening time	s	3 / 4	–
Response time	ms	–	< 30
Ambient temperature	°C	+5 to +40	+5 to +50
Bake out temperature			
Valve body	°C	80	+5 to +50 (during operation)
Actuator	°C	60	(during operation)
Material			
Valve body		Stainless steel 1.4435	Stainless steel 1.4301
Valve needle, valve disc		Stainless steel 1.4301	–
Filter		Stainless steel 1.4404	–
Seals		FPM	FPM
Dosing sleeve		Fluorplastomer	–
Armature disc		–	Stainless steel 1.4510
Guide tube		–	Stainless steel 1.4105
Weight	kg (lbs)	0.5 (1.1)	0.08 (0.18)

¹⁾ For air at a differential pressure of $\Delta p = 1$ bar

²⁾ $1 \text{ sccm} = 1.69 \times 10^{-2} \frac{\text{mbar} \cdot \text{l}}{\text{s}}$

³⁾ Minimum flow: in each case 1% of FS (full-scale)

Ordering Information

Control Valve

	Move 1250	Move X
	Part No.	Part No.
Control Valve		
Move 1250	230 219	-
Move X with gas flow ¹⁾		
10 sccm	-	230 202
50 sccm	-	230 203
100 sccm	-	230 204
500 sccm	-	230 205
1000 sccm	-	230 206
5000 sccm	-	230 207
Accessories		
Flange DN 10 ISO-KF	-	284 50
Tube 1/4"	-	284 51
Tube 6 mm	-	284 52
Filter for the inlet or vacuum side consisting of filtering candle, O-ring and two securing rings	109 63	-
Filter set consisting of 10 filter discs and 10 circular springs	-	109 64
Connection cable		
CMove 1250 - Control valve Move 1250		
3 m	230 220	-
5 m	230 221	-
10 m	230 222	-
15 m	230 223	-
20 m	230 224	-
25 m	230 225	-
CMove 1250 - Control valve Move X		
3 m	-	230 210
5 m	-	230 211
10 m	-	230 212
15 m	-	230 213
20 m	-	230 214
25 m	-	230 215

¹⁾ To select the right components please ask us for information

Controller CMove 1250



Controller CMove 1250

Technical Applications

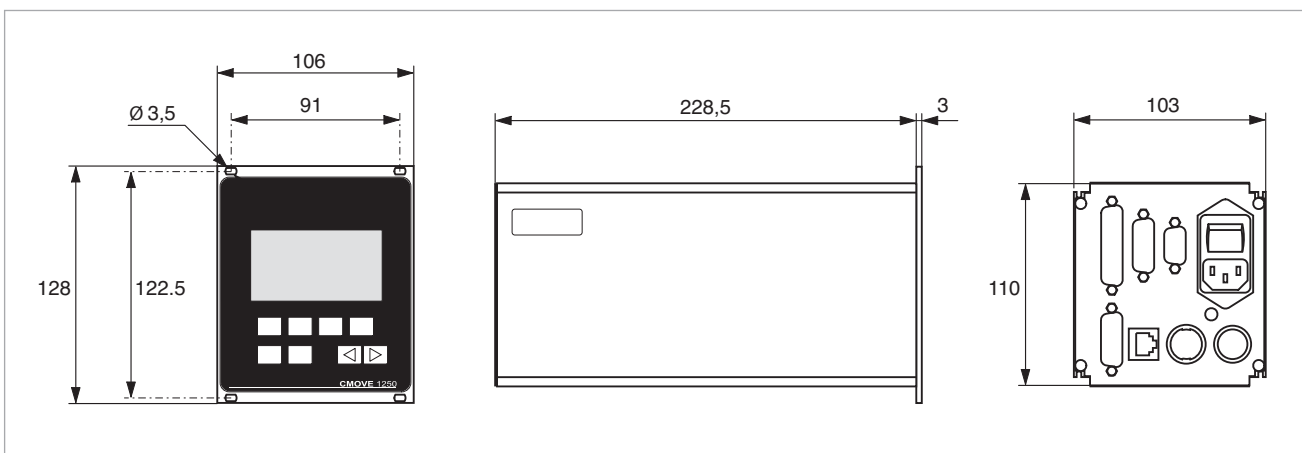
- Simple to operate
- Self-explanatory LCD display and function keys
- Analog/digital inputs/outputs and interfaces
- Digital input valve control, switch-over
- Pressure and gas flow adjustment
- Digital output valve control, error message
- Adjustable PID control algorithms
- 99 pre-programmed PI control algorithms for fast and simple operation
- For installation or tabletop use (1/4 19")

Typical Applications

The controller CMove in connection with the electric control valve Move 1250 or Move X is suited for applications in the areas like for example

- Semiconductor industry
- Analytical
- Coating
- Quality control
- Surface treatment

as well as in all applications where simple, fast and accurate pressure control is desired and necessary.



Dimensional drawing for the CMove 1250

Technical Data

Controller CMove 1250

Power supply		
Mains voltage, 50/60 Hz	V AC	90 - 250
Power consumption	VA	50
Control types		Auto = (PI) adjustable in 1 to 99 selectable steps PID = PID is user adjustable 0,5% F.S. sensor
Control accuracy ¹⁾		
Display		LCD 64 x 128 Pixel
Display units (selectable)		
Pressure		mbar, Torr, Pa, mV
Flow		mbar l/s, Torr l/s, Pa l/s, mV
Measurement range		
Pressure control		
CERAVAC		
THERMOVAC		
PENNINGVAC (not for PTR 90)		
IONIVAC		
Pressure control	mV	0 to 10.000
Flow control		
with MOVE 1250		CLOSED, 5.0×10^{-6} to $1.25 \times 10^{+3}$ mbar x l/s
with MOVE X		CLOSED, 1.0×10^{-5} to $1.0 \times 10^{+2}$ mbar x l/s
with analog output AA 2	mV	0 to 10 000
Operating mode		Gas flow regulation (upstream regulation) Pressure regulation (downstream regulation)
Operating		Local operation or remote control
Digital input		Flow matching, opening/closing of external valves / operating mode flow/regulation / switching on of emission/degas
Digital output		Valve position indication; valve fault; sensor fault; status message for sensor and valve; pressure regulation upstream/downstream
Analog input		0 to 10 V DC setpoint pressure/flow
Analog output		0 to 10 V DC, Pressure sensor signal, valve signal, valve position MOVE 1250
Serial interface		RS 232 C, RS 485 C
Housing		1/4 19", for installation or tabletop use
Weight	kg (lbs)	1.65 (3.64)
Temperature		
Operation	°C	+5 to +50
Storage	°C	-40 to +60
Protection class	IP	30 (EN 60 529)

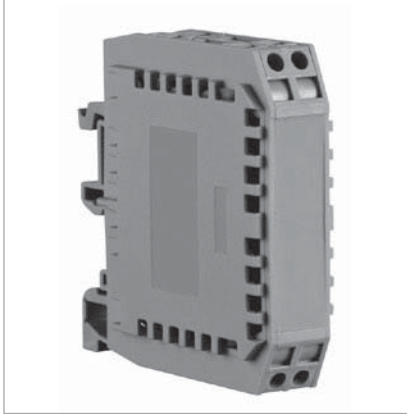
¹⁾ Valid for sensor setting 0 to +10 V linear and analog output A02

Ordering Information

Controller CMove 1250

	Part No.
Controller CMove 1250	230 200
Control valve	
Move 1250	230 219
Move X with gas flow	
10 sccm	230 202
50 sccm	230 203
100 sccm	230 204
500 sccm	230 205
1000 sccm	230 206
5000 sccm	230 207
Connection cable	
CMove 1250 - Control valve Move 1250	
3 m	230 220
5 m	230 221
10 m	230 222
15 m	230 223
20 m	230 224
25 m	230 225
CMove 1250 - Control valve Move X	
3 m	230 210
5 m	230 211
10 m	230 212
15 m	230 213
20 m	230 214
25 m	230 215
Sensor cable	
TTR 90, TTR 100, TTR 101, TTR 211, TTR 216, PTR 225, PTR 237	
5 m	124 26
10 m	230 012
15 m	124 27
20 m	124 28
30 m	124 29
50 m	124 31
75 m	124 32
100 m	124 33
ITR 90, ITR 100, ITR 200	
5 m	124 55
10 m	230 022
15 m	124 56
20 m	124 57
30 m	124 58
CTR 90, CTR 91, CTR 100, CTR 101	
5 m	230 013
10 m	230 014
15 m	230 015
20 m	230 016
30 m	230 017
50 m	230 019
75 m	230 020
100 m	230 021

Interface Module IMove 1250 for Move 1250



Advantages to the User

- Status query and valve position

Typical Applications

The interface module IMove 1250 connects a RS 232C interface (for example from a computer or a PLC) to the digital interface of the Move 1250 control valve.

Technical Data

Interface Module IMove 1250

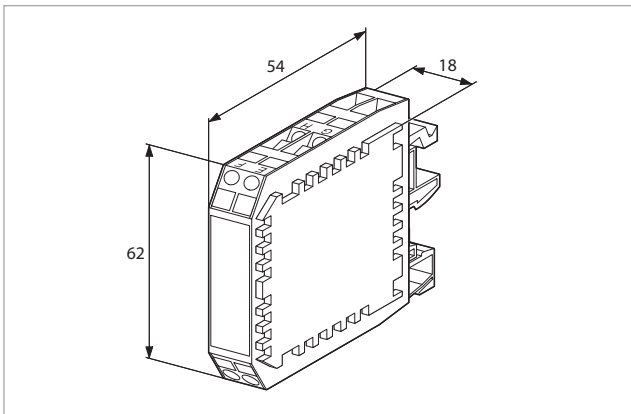
Temperature		
Operation	°C	+5 to +50
Storage	°C	-10 to +65
Protection class	IP	30
Operation voltage	V DC	24 ± 10%
Current consumption		
IMove 1250	mA	< 50 (own consumption)
Move 1250	mA	< 500
Provide upfront fusing		1 AT
Interface		RS 232 C
Mounting		
Support rails		EN 50022-35 (symmetrical) EN 50035-G32 (asymmetrical)
Weight	g	40 (0.09)

Measuring,
controlling

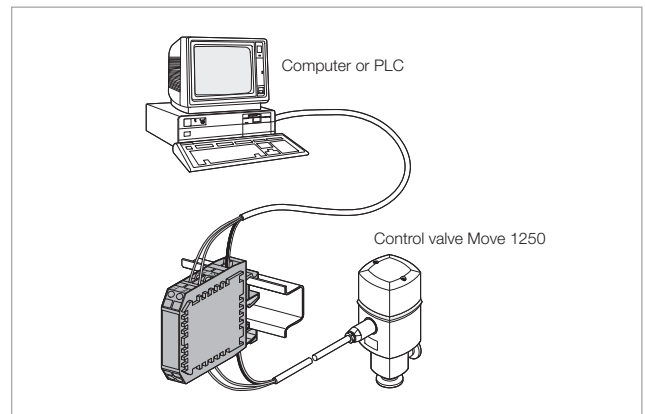
Ordering Information

Interface Module IMove 1250

	Part No.
Interface-Modul IMove 1250	230 201



Dimensional drawing for the IMove 1250



Connection of the IMove 1250

Low Pressure Safety Switch PS 113 A



Switch indicating whether or not the pressure has reached the level of the atmospheric pressure after venting. Preset diaphragm pressure switch set to a trigger of 6 mbar (4 Torr) below atmospheric pressure.

Advantages to the User

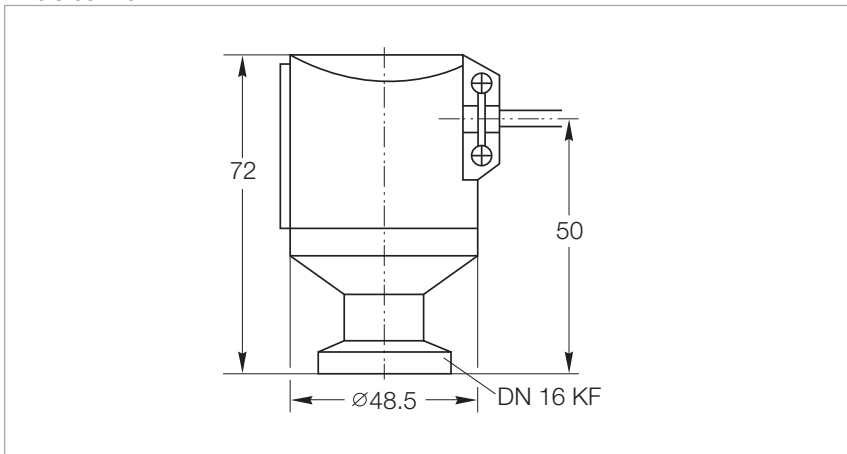
- Rugged design
- High switching capacity
- Corrosion protected
- Easy to use
- IP 44 protection
- Can be connected to a programmable control

Typical Applications

- Venting facilities
- Safety shutdown of vacuum systems
- Load locks
- Increased switching capacity when using the switching amplifier SV 110

Technical Note

Due to the diaphragm material used (EPDM) the PS 113 A is not suited for applications in which the process gas contains large quantities of helium. Owing to helium permeation, the leak rate of the diaphragm for helium amounts to values $\leq 1 \times 10^{-4}$ mbar x l/s.



Dimensional drawing for the low pressure safety switch PS 113 A

Technical Data**Low Pressure Safety Switch**

Switching pressure	mbar (Torr)	Approx. 6 (4.5) below atmospheric pressure
Return switching pressure	mbar (Torr)	3 (2.3) below atmospheric pressure
Switching inaccuracy	mbar (Torr)	2 (1.5)
Max. permissible operating pressure (abs.)	mbar (Torr)	2000 (1500)
Storage temperature range	°C	-25 to +85
Nominal temperature range	°C	0 to +85
Switching contact		Changeover contacts, gold-plated, for prog. controls
Contact life		> 10 ⁵ switching cycles
Switching capacity		100 mA / 24 V AC 30 mA / 24 V DC
Electrical connection		6.3 mm flat plug
Vacuum connection	DN	16 ISO-KF
Helium permeation	mbar (Torr)	≤ 5 x 10 ⁻⁵
Dead volume	cm ³	2
Materials in contact with the medium		Stainless steel 1.4305, Stainless steel 1.4310, Stainless steel 1.4300 PTFE coated, EPDM
Weight	g	315 (0.70)
Protection class	IP	44

Ordering Information**Low Pressure Safety Switch**

	Part No.
Low pressure safety switch PS 113 A, DN 16 ISO-KF; complete with 3 m long cable	230 011

Pressure Switch PS 115

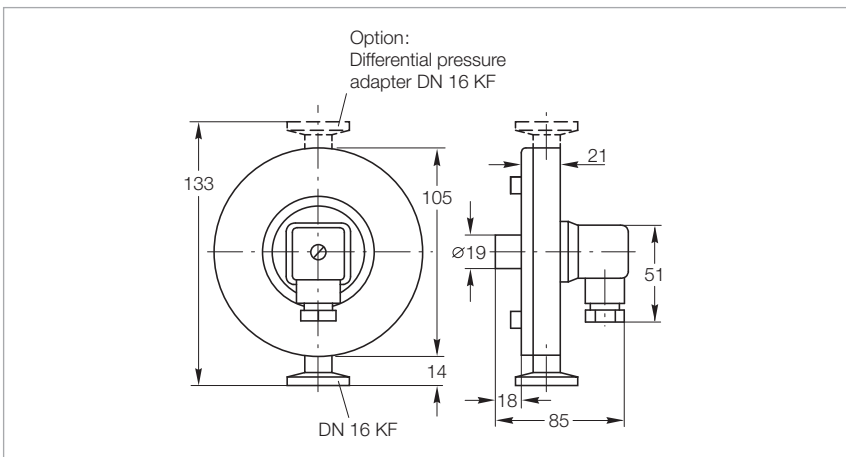


Rugged absolute pressure switch with electrical switching contact and an adjustable switching pressure between 0.5 and 2000 mbar (0.4 and 1500 Torr).

Through the differential pressure adapter (optional) the PS 115 pressure switch may be converted to operate as a differential pressure switch. The adapter consists of a DN 16 ISO-KF flange with screw-in thread and a sealing arrangement, and it is screwed into the PS 115 instead of the adjustment valve. The operating range extends to 2000 mbar (1500 Torr). Brief over-loading to 3000 mbar (2250 Torr) is permissible without impairing switching accuracy. In this operating range differential values of +5 to -20 mbar (+3.75 to -15 Torr) can be adjusted via the set screw.

Advantages to the User

- High switching accuracy (± 0.1 mbar)
- Stable long term operating characteristics
- Rugged, corrosion protected design
- Increased switching capacity (floating) when using the switching amplifier SV 110
- Switching contact (n.c.) in the reference chamber and thus protected against corrosion
- For operating pressures up to 3 bar
- For high ambient temperatures
- Upon request, the switching threshold may be set in the factory



Dimensional drawing for the pressure switch PS 115

Technical Data**Pressure Switch PS 115**

Switching range	mbar (Torr)	0.5 to 2000 (0.375 to 1500)
Overload limit	mbar (Torr)	3000 (2250)
Sensitivity	mbar (Torr)	0.1 (0.75)
Switching hysteresis	mbar (Torr)	0.5 (0.375)
Temperature coefficient	%/°K	0.4 of the switching value
Nominal temperature range		
briefly (max. 8 h)	°C	120
continuous	°C	0 to +90
Switching contact		Plug
Switching voltage	V	24
Switching current (max.)	mA	10
Contact resistance, max.	kW	1
Electrical connection		Plug (DIN 43 650)
Protection class	IP	65
Vacuum connection	DN	16 ISO-KF
Materials in contact with the medium		
Measurement chamber		Stainless steel 1.4301; 1.4401; 1.4310; 1.3541; FPM /FKM)
Reference chamber		Stainless steel 1.4301; 1.4401; 1.3541; Glass; Gold
Volume of the measurement chamber approx.	cm ³	4
Volume of the reference chamber, approx.	cm ³	20
Weight	kg (lbs)	1.3 (2.87)

Ordering Information**Pressure Switch PS 115**

	Part No.
Pressure Switch PS 115, DN 16 ISO-KF	160 04
Pressure switch adjustment	160 05
For floating installations without SV 110, Clamping ring DN 16 ISO-KF, plastic	200 28 306
Centering ring, DN 16 ISO-KF, plastic	200 28 307
Option Differential pressure adapter, DN 16 ISO-KF for connection to the PS 115	160 74
Spare parts kit PS 115	E 160 06
SV 110 switching amplifier	160 78

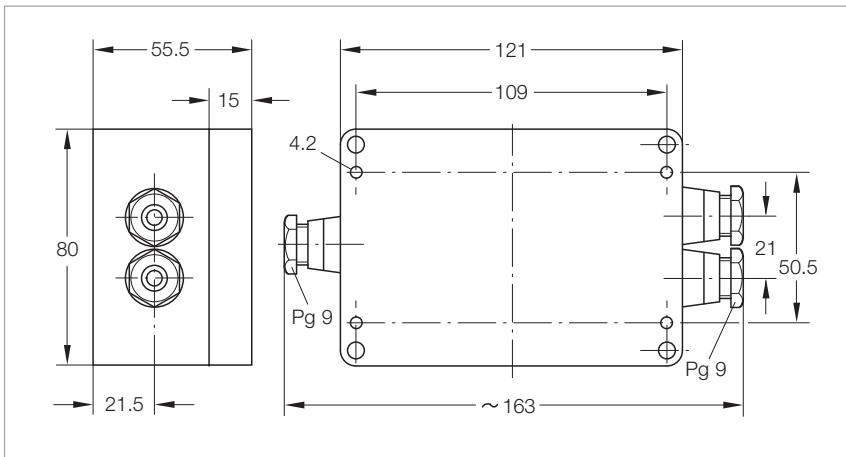
Switching Amplifier SV 110

The diaphragm contact of the pressure switches is connected on one side to ground and is rated to 24 V / 10 mA max. When wanting to switch higher voltages or currents, a switching amplifier will be needed. The switching amplifier is equipped with powerful floating changeover contacts. The output relay is energized as soon as the pressure drops below the switching threshold set up on the pressure switch.

The electrical connections are provided via screw terminals and are run out of the plastic enclosure through PG fittings.

Advantages to the User

- Increased ratings for the switch
- Changeover contact



Dimensional drawing for the switching amplifier SV 110

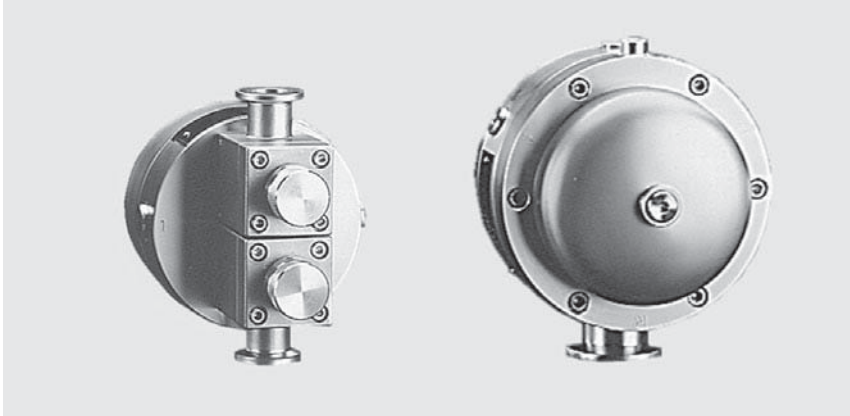
Technical Data**Switching Amplifier SV 110**

Mains connection 50/60 Hz (selectable)		110/130/220/240 V
Power consumption	VA	3
Output relay		
Switching voltage / current	V / A	250 / 5
Switching power, max.	VA	500
Response time	ms	30
Release time	ms	7
Control circuit	V / mA	24 / 10
Ambient temperature, max.	°C	50
Weight, approx.	kg (lbs)	0.36 (0.79)

Ordering Information**Switching Amplifier SV 110**

	Part No.
Switching amplifier SV 110	160 78

Diaphragm Pressure Regulators MR 16/MR 50



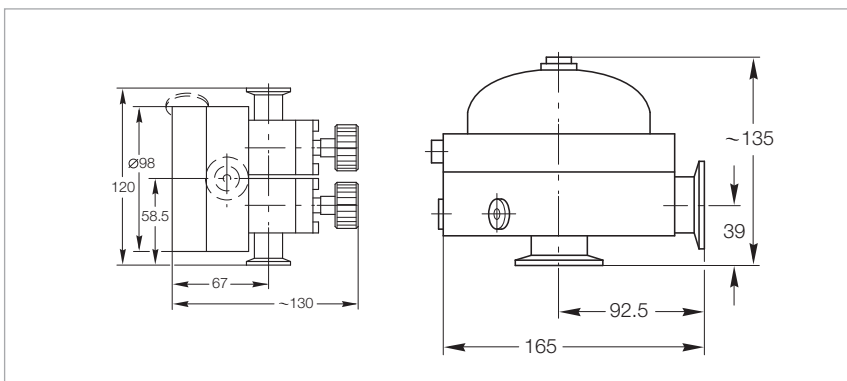
The MR 16/50 diaphragm regulators are absolute pressure regulators which automatically adapt the pumping speed of a vacuum pump depending on the amount of gas, without the need for an external power supply.

Advantages to the User

- Non-incremental, automatic pressure control
- Simple setting of the control pressures
- High control accuracy
- Corrosion protected stainless steel design
- Easy to disassemble for cleaning and maintenance
- Trouble-free operation in ex. areas
- Built-in isolation valves for the process connection and the vacuum pump (MR 16)

Typical Applications

- Distillation processes of all kinds
- Solvent recovery
- Drying processes
- Temperature control on bath cryostats
- Degassing of liquids and plastics



Dimensional drawing for the diaphragm regulator MR 16 (left) and MR 50 (right)

Technical Data

Diaphragm Pressure Regulator

MR 16

MR 50

		MR 16	MR 50
Control range	mbar (Torr)	10 to 1000 (7.5 to 750)	10 to 1000 (7.5 to 750)
Control inaccuracy		± 2% of the pressure control (10 - 90% of flow)	± 2% of the pressure control (10 - 90% of flow)
Throughput	m ³ /h	16	50
Nominal temperature range	°C	+5 to +100	+5 to +100
Storage temperature range	°C	-25 to +60	-25 to +60
Temperature coefficient	%/K	0.3	0.3
Setting time	ms	5	5
Permissible overload for brief periods	bar	3	3
Diaphragm material		FPM (FKM)/EPDM	FPM (FKM)/EPDM
Housing material		stainless steel 1.4571	stainless steel 1.4571
Installation orientation		Any	Any
Dimensions		see dimensional drawing	see dimensional drawing
Vacuum connection	2x DN	16 ISO-KF	40 ISO-KF
Measurement connection	3x thread R	1/8"	1/8"
Weight, approx.	kg (lbs)	2.7 (6.0)	8.0 (17.6)

Ordering Information

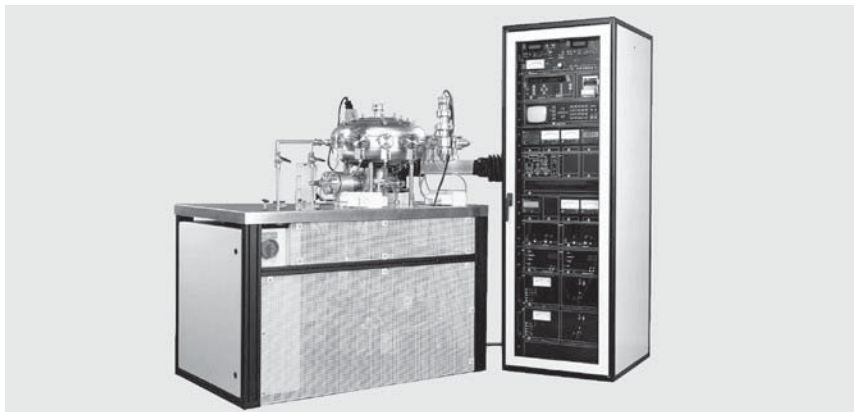
Diaphragm Pressure Regulator

MR 16

MR 50

	MR 16	MR 50
	Part No.	Part No.
Diaphragm pressure regulator		
MR 16, DN 16 ISO-KF	160 25	-
MR 50, DN 40 ISO-KF	-	160 27
Options		
Stainless steel measurement flange, DN 16 ISO-KF, for connection to a reference and/or process chamber or pumping stud KALREZ diaphragm	160 26 -	160 26 200 28 597
Spare Parts		
EPDM diaphragm and seal kit	EK 160 29	-
Viton diaphragm and seal kit	EK 160 31	-
Seal kit MR 50, incl. EPDM and Viton diaphragms	-	EK 160 32
Adjustment screw for the adjustable valve, complete with seal	-	240 00

Oerlikon Leybold Vacuum Calibration Service



Calibration of vacuum gauges in the pressure range from 10^{-8} to 1000 mbar (10^{-8} to 750 Torr) as DAkkS or factory calibration.

Advantages to the User

- Clear reference to the reference quantities
- Reproducible measurements
- Constantly high quality over time
- Reliable checking of existing gauges
- Unambiguous description of the process

Since 1981 Oerlikon Leybold Vacuum has been offering to all customers an impartial calibration service for gauges and sensors of any make. A DAkkS calibration certificate or a factory calibration certificate is issued for every calibration. Instruments with insufficient long-term stability or such instruments where the principle of measurement is not suited for calibration, can not be calibrated.

Typical Applications

Calibrated vacuum gauges are used under the following conditions:

- If the requirements concerning reproducibility and comparability of experiment runs are high

- If an unambiguous reference is required for a large number of pressure gauges
- If an unambiguous description for processes is required
- If for experiments and processes unambiguous traceability of the measured pressures to basic quantities is demanded by the authorities
- If testing to DIN/ISO 9000 is required in the following areas
 - Research
 - Thin-film engineering
 - Manufacture of systems
 - Military
 - Energy
 - Chemistry production
 - Production of pharmaceuticals and herbicides
 - Sputtering systems
 - Aircraft and space industry
 - Manufacture of lamp

DAkkS / Factory Calibration

It is the task of the Deutschen Akkreditierungsstelle (DAkkS) to ensure traceability of industrial measurements and testing to national standards.

The DAkkS is supported jointly by the Federal Institution for Physics and Technology (PTB), the industry, the Federal Minister for Economics and the Western European Metrology Club (WEMC).

The transfer standards in the DAkkS calibration facility used by Oerlikon Leybold Vacuum are checked regularly (recalibrated) by the PTB.

Within the framework of the DAkkS, the calibration system at Oerlikon Leybold Vacuum has been checked and approved by the PTB and the applied transfer standards have been calibrated by the PTB.

Factory calibrations were performed with standards which have not been calibrated directly at the PTB; instead the transfer standards of the in-house calibration service are used. Thus traceability to national standards is ensured in both cases.

Technical Data**DAkkS Calibration**

Calibration range	mbar (Torr)	to 10 ⁻³	to 10 ⁻⁵	to 10 ⁻⁸
-------------------	-------------	---------------------	---------------------	---------------------

Ordering Information**DAkkS Calibration**

	Part No.	Part No.	Part No.
DAkkS calibration	157 12	157 13	157 14

Technical Data**Factory Calibration**

Calibration range	mbar (Torr)	to 10 ⁻³	to 10 ⁻⁵	to 10 ⁻⁸
-------------------	-------------	---------------------	---------------------	---------------------

Ordering Information**Factory Calibration**

	Part No.	Part No.	Part No.
Factory calibration	154 22	154 23	154 24

Calibration Systems are described in the Catalog Part "Vacuum Pump Systems".

Product VACVISION

Vacuum Controller for Monitoring and Controlling the entire Vacuum Process

Applications

Components supported by the VACVISION

Rotary Vane Vacuum Pumps TRIVAC and SOGEVAC	VACVISION	Dry Compressing Scroll Pumps SCROLLVAC and Diaphragm Vacuum Pumps DIVAC	VACVISION	Turbomolecular Pumps TURBOVAC with Mechanical Rotor Suspension and Frequency Converter	VACVISION
S 1,5	■	SCROLLVAC		TURBOVAC	
TRIVAC		SC 5 D	■	50	■
D 2.5 E	■	SC 15 D	■	151 (C)	■
D 4 B	■	SC 30 D	■	361 (C)	■
D 8 B	■	SC 60 D	●	600 C	■
D 16 B	■			1000 C	■
D 25 B	■	DIVAC		1100 C	■
D 40 B	●	0.6 to 2.2	■	T 1600 / T 1601 ²⁾	■
D 65 B, D 65 B ^{3)He}	●	0.6 L to 2.2 L	■	SL 80	■
D 16 B-DOT/ NT 16-DOT	■	1.2 L AD und 2.2 L AD	■	SL 300	■
D 16 B-Ex	■	0.8 T und 0.8 LT	■	SL 700	■
D 16 BCS, D 25 BCS	■	2.5 T und 2.5 VT	■	TW 250 S ³⁾	■
D 40 BCS	■	3.5 TC und 4.8 VT	■	TW 501	
D 65 BCS	●			TW 1600 ²⁾	■
D 16 + D 25 BCS-PFPE	■			TW 2401	
D 40 BCS-PFPE	●				
D 65 BCS-PFPE	●			Frequency Converter	
				TURBOTRONIK NT 10	▲
SOGEVAC				TURBO.DRIVE TD 20 classic	■
SV 16, SV 25	■			TURBO.DRIVE TD 300	■
SV 40, SV 65	■			TURBO.DRIVE TD 400	■
SV 100				TURBO.DRIVE TD 700	■
SV 200, SV 300	■			TURBO.DRIVE TD 35	
SV 500, SV 630, SV 750				TURBO.DRIVE TD 240	
SV 1200					
SV 10 B SV 16 B, SV 16 D	■				
SV 25 B, SV 25 D	■				
SV 40 B	●				
SV 65 B, SV 100 B, SV 120 B	●				
SV 300 B	●				
SV 500 B ¹⁾	●				
SV 630 B(F), SV 750 B(F)					
SV 16 BI, SV 28 BI, SV 40 BI	■				
SV 40 B Kategorie 1(i)/2(o) IIA	■				
SV 40 B Kategorie 1(i)/2(o) IIB + H2	■				
SV 40 B Kategorie 3(i)/3(o)	■				

²⁾ Integrated Frequency Converter
³⁾ With and without integrated Frequency Converter

- = Direct connection is possible
- = Connection through E-box
- ▲ = Direct connection is possible, function is restricted

¹⁾ Up to 11 kW

Components supported by the VACVISION

Turbomolecular Pumps TURBOVAC with Magnetic Rotor Suspension and Frequency Converter

	VACVISION
TURBOVAC MAG	
W 300 iP and W 400 iP	■
W 600 iP and W 700 iP	■
1500 CT	■
W 300 P and W 400 P	■
W 600 P and W 700 P	■
W 830 and 830 C	■
W 1300 and 1300 C	■
W 1500 CT	■
W 2000 C and W 2000 CT	■
W 2200 C/T and W 2200	■
W 2800 and C/CT	■
W 3200 and C/CT	■
Frequency Converter	
TURBO.DRIVE iS	■
MAG.DRIVE S	■
MAG.DRIVE digital	■

LEYCON Valves

	VACVISION
Small valves of the "micro" range	
Valves with ISO-KF flanges DN 16 to DN 50	
Right-angle valves, bellows-sealed, manually operated	
Straight-through valves, bellows-sealed, manually operated	
Right-angle valves, bellows-sealed, electropneumatically operated	■
Right-angle valves, bellows-sealed, pneumatically operated	■
Straight-through valves, bellows-sealed, electropneumatically operated	■
Straight-through valves, bellows-sealed, pneumatically operated	■
Right-angle valves, bellows-sealed, electromagnetically operated	■
Valves with ISO-K flanges DN 63 to DN 160	
Right-angle valves, bellows-sealed manually operated	
Right-angle valves, bellows-sealed, electropneumatically operated	■
Right-angle valves, bellows-sealed, electropneumatically operated (DN 250)	
SECUVAC valves	
Safety valves	
Power failure venting valves, DN 10 and 16 ISO-KF, electromagnetically operated	■
(Coarse) variable leak valves	
Venting valves, manually operated	
Venting valves, electromagnetically operated	■
Vacuum locks / sealing valves	
Right-angle valves according to DOT	
Pilot valves	
Purge gas and venting valves	■
UHV all metal right-angle valves	
UHV all metal variable leak valves	

Gate Valves

	VACVISION
Gate Valves	
Miniature UHV, ISO-KF, manually operated	
Miniature UHV, ISO-KF and CF, manually operated	
Miniature UHV, ISO-KF and CF, electropneumatically operated	■
HV, ISO-F, manually operated	
HV, ISO-F, electropneumatically operated	■
UHV, CF, manually operated	
UHV, ISO-F, electropneumatically operated	■
UHV, CF, electropneumatically operated	■

Active Sensors (Transmitter)

	VACVISION
Active Sensors	
CTR 100/101	■
TTR 91/91S/96S	■
TTR 100/100S2	■
PTR 225/235S/237	
PTR 90	■
ITR 90	■
ITR 200S	■

■ = Direct connection is possible

Measuring,
controlling

Products

Vacuum Controller for Monitoring and Controlling the entire Vacuum Process

VACVISION



VACVISION offers a platform capable of configuring vacuum systems in different ways and operating these with great flexibility.

The new compact **VACVISION** vacuum controller is equipped with a large TFT graphic display with touch panel.

The **VACVISION** offers intuitive operation, a guided configuration menu (wizard), simple hardware interfacing by colour-coded cable connections as well as a plug and play function.

The controller automatically detects up to 3 active vacuum gauge heads, five valves in total, and one each forevacuum and one high vacuum pump from Oerlikon Leybold Vacuum.

In addition the **VACVISION** offers the possibility of connecting venting facility, seal gas, heaters and cooling at the turbomolecular pump.

The controlling functions include pre-defined, configurable process set-ups.

The signals from the forevacuum transmitters can be utilized to start up the turbomolecular pumps and the high vacuum transmitters.

The **VACVISION** can be installed in a 19" rack or used as a benchtop unit.

Advantages to the User

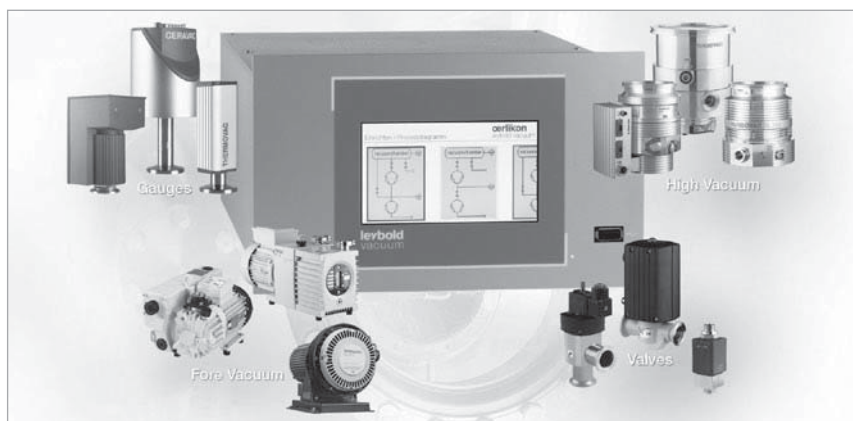
- Compact multipurpose vacuum controller
- Automatic control, controlling and regulating function of the vacuum system
- Simple configuration of vacuum systems with utmost flexibility
- Plug and play function
- Colour TFT graphic display 4.3", 480*272 pixel with touch panel
- USB interface (front panel) for software updates and process data transfers
- Interfaces: RS 232 C/485 C and Ethernet
- Relay options for heating pads, shutoff valve, switching signals, etc.
- Highly flexible to use
- Replaces existing PLCs and associated programming
- Short-circuit proof
- 24 V DC connection for uninterrupted power supply (UPS)
- Colour-coded and text identification on all cable sets

Typical Applications

- Research Universities Institutes
- Laboratories
- Analytics
- Process industry
- Quality control

Connectable Components

- Forevacuum pump
- High vacuum pump
- Active vacuum gauges (up to a total of three)
- Valves (up to 2 with checkback signalling and up to 3 without checkback signalling)



Full fore and high vacuum systems support

Technical Data

VACVISION

Power supply	V / Hz	100 - 240 +/-10% / 50/60
Power consumption without backing pump and TMP Heater	W	< 100
forevacuum pump connection, approx.	W	up to 750
heater connection	W	up to 150
continuous, max.	W	1000
Fuses (slow blow)		
F1 mains power input		10 A
F2 heater		2 A
F3 backing pump		8 A
Protection class	IP	30
Ambient temperature during operation	°C	+5 to +40
during storage	°C	-10 to +70
Max. rel. humidity	% n.c.	80
Dimensions of the bench top unit (W x H x D)	mm	213 x 128.5 x 350
Weight, approx.	kg (lbs)	4.5 (9.93)

Measuring,
controlling

Ordering Information

VACVISION

	Part No.
Vacuum controller VACVISION	230400V01
Mains cord set EU VACVISION US VACVISION	230415V01 230416V01
Cable set VACVISION 10 m Limited VACVISION , 5 m	230410V01 230411V01
Plug set	230420V01
Connecting cable Type F to PTR/TTR series 5 m 10 m	124 55 230 022
Connecting cable Type F to PTR/TTR series 5 m 10 m	230032V01 230033V01
VACVISION electrical box, 3 phases, 400 V to 11 kW (to control pumps > 750 W)	230421V01
VACVISION custom solutions	upon request

Accessories

Connection Cables

Technical Data

Mains Cable Set EU VACVISION

Mains cable set contains	
1x EURO resp. IEC connector, male MAINS IN, ident. POWER IN, 3 m long	
1x EURO resp. IEC connector, female for forepump, 1 m long	
1x EURO resp. IEC connector, earthed plug, female for TMP heater, 1 m long	

Ordering Information

Mains Cable Set EU VACVISION

	Part No.
Mains cable set EU VACVISION	230415V01

Technical Data

Mains Cable Set US VACVISION

Mains cable set contains	
1x mains cord, ident. POWER IN, 3 m long	
1x mains cord, ident. forepump, 1 m long	
1x mains cord, ident. heater, 1 m long	

Ordering Information

Mains Cable Set US VACVISION

	Part No.
Mains cable set US VACVISION	230416V01

Technical Data

Cable Set VACVISION 10 m

The cable set contains 10 m of each cable	
1x Fan extension, ident. FAN COOLER	
1x TMP pump (all except Anybus CC), D-Sub 9-way female/male, ident. RS 232	
1x TMP pump (Anybus CC), D-Sub 9-way female/male, ident. RS 232 Anybus	
2x valve cables M12 male, ident. PURGE and Vent	
2x valve cables D-Sub 9-way male (with position indicator), ident. Valve and VV Valve	
2x valve cables Phoenix 8-way, ident. X3 and X4	
2x gauge heads, D-Sub 15-way female/male, ident. Gauge CTR/ITR; type C	
2x gauge heads, D-Sub 15-way male/RJ 45, ident. Gauge PTR/TTR; type F	
1x UPS , M9 male, ident. X17 USV	

Ordering Information

Cable Set VACVISION 10 m

	Part No.
Cable set VACVISION 10 m	230410V01

Technical Data

Cable Set Limited VACVISION 5 m

The cable set contains 5 m of each cable

- 1x TMP pump (all except Anybus CC), D-Sub 9-way female/male, ident. RS 232
- 1x TMP pump (Anybus CC), D-Sub 9-way female/male, ident. RS 232 Anybus
- 1x valve cable M12 male, ident. Vent
- 1x valve cable D-Sub 9-way male (with position indicator), ident. Ven
- 1x gauge head, D-Sub 15-way female/male, ident. Gauge CTR/ITR; type C
- 2x gauge heads, D-Sub 15-way male/RJ 45, ident. Gauge PTR and TTR; type F and plug
- 1 x valve plug, D-Sub 9-way male
- 2 x analog/digital I/O, Phoenix plug
- 1 x valve plug, M12 male EMC

Ordering Information

Cable Set Limited VACVISION 5 m

	Part No.
Cable set Limited VACVISION 5 m	230411V01

Technical Data

Plug Set VACVISION

Plug set contains the following plugs

- 3 x valves without return signalling, M12 round plug
- 2 x valves with return signalling, D-Sub 9-way male
- 1 x RS 232 female, D-Sub 9-way female
- 1 x analog/digital I/O, Phoenix plug

Ordering Information

Plug Set VACVISION

	Part No.
Plug set VACVISION	230420V01

- 1a Mains power output X2.1 TMP heater
100 - 240 VAC, fuse F2 1 AT - 2 AT
- 1b Fuse F2
- 1c Fuse F3
- 1d Mains power output X2.2 Forepump
100 - 240 VAC, fuse F3 3 AT - 8 AT
- 1e Mains power inlet X1 100 - 240 V AC
- 1f Fuse F1
- 1g Mains switch S1
- 2a 24 V DC input, UPS
- 2b Protective ground conductor M4
- 2c Fuse F4 1.25 AT 24 VDC, for X3 and X4
- 3a FV active vacuum gauge X11
- 3b HV active vacuum gauge X10
- 3c HV active vacuum gauge, extended X12
- 4a RS485 serial interface X13
- 4b RS232 serial interface X14 TMP
- 4c Ethernet Interface X15
- 5a HV valve with return signalling X5
D-Sub socket 24 V DC/12 W
- 5b FV valve with return signalling X6
D-Sub socket 24 V DC/12 W
- 5c Purge gas valve without return signalling X7
M12 socket 24 V DC/12 W
- 5d Venting valve without return signalling X8
M12 socket 24 V DC/12 W
- 5e Cooler valve without return signalling X9
M12 socket 24 V DC/12 W
- 6a Terminal strip X4
(X3, X4 totalling 12 W)
- 6b Terminal strip X3
(X3, X4 totalling 12 W)

The image shows the rear panel of the VACVISION unit. It features a variety of connectors and components. On the left, there are three large power outlets labeled 1a, 1d, and 1e, along with a fuse holder labeled 1f and a main power switch labeled 1g. In the center, there are two 24V DC input ports labeled 2a and 2b, and a fuse holder labeled 2c. To the right of these are three vacuum gauge ports labeled 3a, 3b, and 3c. Further right are three serial interface ports labeled 4a, 4b, and 4c. At the bottom, there are three valve ports labeled 5a, 5b, and 5c, and two terminal strips labeled 6a and 6b. The panel also includes a main supply inlet labeled X1 F1 S1, a heater output labeled X2.1, a forepump output labeled X2.2, a 24V DC input labeled X17, and several other connectors labeled X10, X11, X12, X13, X14, X15, X3, X4, X5, X6, X7, X8, and X9.

Rear side of the VACVISION

**Ordering Information
for Components supported by the VACVISION**

	Part No.
Active Sensors CERAVAC Transmitters CTR 100/101 THERMOVAC Transmitters TTR 91/91S/96S THERMOVAC Transmitters TTR 101/101S2 PENNINGVAC Transmitters PTR 225/235S/237 (upon request) PENNINGVAC Transmitters PTR 90 IONIVAC Transmitters ITR 90 IONIVAC Transmitters ITR 200S	Part Nos. see Catalog Part "Vacuum measuring - controlling"
Forevacuum pumps (single phase (100 - 240 V for EU and US) to 750 W) ¹⁾ Rotary Vane Vacuum Pumps TRIVAC S 1,5 types D 2,5 E types D 4 B to D 25 B types	Part Nos. see Catalog Part "Oil Sealed Vacuum Pumps", Section "Rotary Vane Vacuum Pumps TRIVAC"
Rotary Vane Vacuum Pumps SOGEVAC ¹⁾ SV 10 B types	Part Nos. see Catalog Part "Oil Sealed Vacuum Pumps", Section "Rotary Vane Vacuum Pumps SOGEVAC"
Scroll Vacuum Pumps SCROLLVAC ¹⁾ SC 5 D to SC 30 D types	Part Nos. see Catalog Part "Dry Compressing Vacuum Pumps", Section "SCROLLVAC"
Scroll Vacuum Pumps SCROLLVAC ¹⁾ 0.6 to 2.2 types 0.6 L to 2.2 L types 1.2 LAD and 2.2 LAD types 1.4 HV3 and 3.8 HV3 types	Part Nos. see Catalog Part "Dry Compressing Vacuum Pumps", Section "DIVAC"
LEYCON Vacuum Valves (high and forevacuum and Venting Valves 24 V DC / 6 W) Right-Angle Valves, electropneumatically operated; DN 16 to 50 ISO-KF, AL and SS Right-Angle Valves, pneumatically operated; DN 16 to 50 ISO-KF, AL and SS Straight-Through Valves, electropneumatically operated; DN 16 to 50 ISO-KF, AL and SS Straight-Through Valves, pneumatically operated; DN 16 to 50 ISO-KF, AL and SS Right-Angle Valves, electromagnetically operated; DN 16 to 40 ISO-KF, AL and SS Right-Angle Valves, bellows-sealed, electromagnetically operated; DN 63 to 160 ISO-K, AL and SS Power Failure Venting Valves, electromagnetically actuated: DN 10 and 16 ISO-KF Venting Valves, electromagnetically operated; DN 16 ISO-KF Purge Gas and Venting Valves; 0.2 and 0.4 mbar x l x s ⁻¹ , DN 10 ISO-KF; as well as 1/4" or DN 16 ISO-KF	Part Nos. see Catalog Part "Vacuum Valves"
Gate Valves Miniature UHV Gate Valves, electropneumatically operated; DN 40 ISO-KF, AL and SS; as well as DN 40 CF, SS HV Gate Valves, electropneumatically operated; DN 63 to 250 ISO-F UHV Gate Valves, electropneumatically operated; DN 100 to 250 ISO-F UHV Gate Valves, electropneumatically operated; DN 63 to 200 CF	Part Nos. see Catalog Part "Vacuum Valves"

¹⁾ The electrical box is required for pumps > 750 W

**Ordering Information
for Components supported by the VACVISION**

	Part No.
Electronic Frequency Converters	
MAG.DRIVE S	410300V0202
MAG.DRIVE S with display	410300V0212
TURBO.DRIVE TD 20 <i>classic</i>	
without Service interface	800075V0001
with RS 232 C interface	800075V0002
with RS 485 C interface	800075V0004
with Profibus	800075V0003
with 25-pole I/O	800075V0005
TURBO.DRIVE TD 300	
RS 232	800072V0001
RS 232 and Profibus DP	800072V0004
TURBO.DRIVE TD 400	
with USB interface	800073V0008
RS 232 C interface	800073V0002
RS 485 C interface	800073V0003
Profibus	800073V0004
TURBO.DRIVE TD 700	
with RS 232 C interface	800074V0001
RS 485 C interface	800074V0003
Profibus	800074V0004
TD S	
without RS 232 (only X1 (24 V DC)) [only restricted function]	800070V001
RS 232	800070V002
without RS 232 (X1) [only restricted function]	800070V004
RS 232, with heat sink	800070V005
without RS 232 (X1) [only restricted function]]	800070V006
Turbomolecular pumps with mechanical rotor suspension (control via RS 232 C)	
TURBOVAC SL 80	
with compound stage	
DN 40 ISO-KF	800002V3004
DN 63 ISO-K / DN 16 ISO-KF	800002V3001
DN 63 ISO-K / DN 16 ISO-KF (SL 80 H)	800002V3005
DN 63 CF / DN 16 ISO-KF	800002V3002
DN 63 CF / DN 16 ISO-KF (SL 80 H)	800002V3006
without compound stage	
DN 63 ISO-K / DN 16 ISO-KF (SL 80 C)	800002V3008
TURBOVAC SL 300	
DN 100 ISO-K / DN 16 ISO-KF	800170V3005
DN 100 CF / DN 16 ISO-KF	800170V3006
TURBOVAC SL 700	
DN 160 ISO-K / DN 25 ISO-KF	800051V3001
DN 160 CF / DN 25 ISO-KF	800051V3002
TURBOVAC TW 1600	
DN 200 ISO-F / DN 40 ISO-KF, water-cooled, RS 232	800041V2144
DN 250 ISO-F / DN 40 ISO-KF, water-cooled, RS 232	800041V2444
DN 250 CF / DN 40 ISO-KF, water-cooled, RS 232	800041V2844

**Ordering Information
for Components supported by the VACVISION**

	Part No.
Turbomolecular pumps with magnetic rotor suspension (control via RS 232 C) with integrated or separate electronic frequency converter MAG.DRIVE iS or MAG.DRIVE S	
TURBOVAC MAG W 300 iP DN 100 ISO-K DN 100 CF	410300V0505 410300V0506
TURBOVAC MAG W 400 iP DN 160 ISO-K DN 160 CF	410400V0505 410400V0506
TURBOVAC MAG W 600 iP DN 160 ISO-K DN 160 CF	410600V0505 410600V0506
TURBOVAC MAG W 700 iP DN 200 ISO-K DN 200 CF	410700V0505 410700V0506
TURBOVAC MAG W 300 P DN 100 ISO-K DN 100 CF	410300V0005 410300V0006
TURBOVAC MAG W 400 P DN 160 ISO-K DN 160 CF	410400V0005 410400V0006
TURBOVAC MAG W 600 P DN 160 ISO-K DN 160 CF	410600V0005 410600V0006
TURBOVAC MAG W 700 P DN 200 ISO-K DN 200 CF	410700V0005 410700V0006
TURBOVAC MAG W 1500 CT DN 200 ISO-F DN 250 ISO-F DN 250 CF	400026V0002 400027V0002 400030V0002
Turbomolecular pumps with magnetic rotor suspension (control via RS 232 C) with separate electronic frequency converter MAG.DRIVE iS, MAG.DRIVE S or MAG.DRIVE digital	Part Nos. see Catalog Part "High Vacuum Pumps" Section "Turbomolecular Pumps TURBOVAC MAG"
TURBOVAC MAG 1500 CT TURBOVAC MAG W 830 (C) TURBOVAC MAG W 1300 (C) TURBOVAC MAG W 2000 C/CT TURBOVAC MAG W 2000 TURBOVAC MAG W 2200 C/CT TURBOVAC MAG W 2800 C/CT TURBOVAC MAG W 3200 C/CT	

Sales and Service

Germany

Oerlikon Leybold Vacuum GmbH
Sales, Service, Support Center (3SC)
Bonner Strasse 498
D-50968 Cologne
Phone: +49-(0)221-347 1234
Fax: +49-(0)221-347 31234
sales.vacuum@oerlikon.com
www.oerlikon.com/leyboldvacuum

**Oerlikon Leybold Vacuum GmbH
Sales Area North**
Branch Office Berlin
Industriestrasse 10b
D-12099 Berlin
Phone: +49-(0)30-435 609 0
Fax: +49-(0)30-435 609 10
sales.vacuum.bn@oerlikon.com

**Oerlikon Leybold Vacuum GmbH
Sales Office South**
Branch Office Munich
Karl-Hammerschmidt-Strasse 34
D-85609 Aschheim-Dornach
Phone: +49-(0)89-357 33 9-10
Fax: +49-(0)89-357 33 9-33
sales.vacuum.mn@oerlikon.com
service.vacuum.mn@oerlikon.com

**Oerlikon Leybold Vacuum
Dresden GmbH
Service Competence Center**
Zur Wetterwarte 50, Haus 304
D-01109 Dresden
Service:
Phone: +49-(0)351-88 55 00
Fax: +49-(0)351-88 55 041
info.vacuum.dr@oerlikon.com

Europe

Belgium

**Oerlikon Leybold Vacuum
Nederland B.V.
Belgisch bijkantoor**
Leuvensesteenweg 542-9A
B-1930 Zaventem
Sales:
Phone: +32-2-711 00 83
Fax: +32-2-720 83 38
sales.vacuum.zv@oerlikon.com
Service:
Phone: +32-2-711 00 82
Fax: +32-2-720 83 38
service.vacuum.zv@oerlikon.com

France

**Oerlikon Leybold Vacuum
France S.A.S.**
Parc du Technopolis, Bâtiment Beta
3, Avenue du Canada
F-91940 Les Ulis cedex
Sales and Service:
Phone: +33-1-69 82 48 00
Fax: +33-1-69 07 57 38
info.vacuum.ctb@oerlikon.com
sales.vacuum.ctb@oerlikon.com

**Oerlikon Leybold Vacuum
France S.A.S.**
Valence Factory
640, Rue A. Bergès
B.P. 107
F-26501 Bourg-lès-Valence Cedex
Phone: +33-4-75 82 33 00
Fax: +33-4-75 82 92 69
marketing.vacuum.vc@oerlikon.com

Great Britain

**Oerlikon Leybold Vacuum
UK LTD.**
Unit 9
Silverglade Business Park
Leatherhead Road
Chessington
Surrey (London)
KT9 2QL
Sales:
Phone: +44-13-7273 7300
Fax: +44-13-7273 7301
sales.vacuum.ln@oerlikon.com
Service:
Phone: +44-13-7273 7320
Fax: +44-13-7273 7303
service.vacuum.ln@oerlikon.com

Italy

**Oerlikon Leybold Vacuum
Italia S.r.l.**
Via Trasimeno 8
I-20128 Mailand
Sales:
Phone: +39-02-27 22 31
Fax: +39-02-27 20 96 41
sales.vacuum.mi@oerlikon.com
Service:
Phone: +39-02-27 22 31
Fax: +39-02-27 22 32 17
service.vacuum.mi@oerlikon.com

Netherlands

**Oerlikon Leybold Vacuum
Nederland B.V.**
Floridadreef 102
NL-3565 AM Utrecht
Sales and Service:
Phone: +31-(30) 242 63 30
Fax: +31-(30) 242 63 31
sales.vacuum.ut@oerlikon.com
service.vacuum.ut@oerlikon.com

Switzerland

**Oerlikon Leybold Vacuum
Schweiz AG, Pfäffikon**
Churerstrasse 120
CH-8808 Pfäffikon
Warehouse and shipping address:
Riedthofstrasse 214
CH-8105 Regensdorf
Sales:
Phone: +41-44-308 40 50
Fax: +41-44-302 43 73
sales.vacuum.zh@oerlikon.com
Service:
Phone: +41-44-308 40 62
Fax: +41-44-308 40 60
service.vacuum.zh@oerlikon.com

Spain

**Oerlikon Leybold Vacuum
Spain, S.A.**
C/. Huelva, 7
E-08940 Cornellà de Llobregat
(Barcelona)
Sales:
Phone: +34-93-666 43 11
Fax: +34-93-666 43 70
sales.vacuum.ba@oerlikon.com
Service:
Phone: +34-93-666 46 11
Fax: +34-93-665 43 70
service.vacuum.ba@oerlikon.com

America

USA

**Oerlikon Leybold Vacuum
USA Inc.**
5700 Mellon Road
USA-Export, PA 15632
Phone: +1-724-327-5700
Fax: +1-724-325-3577
info.vacuum.ex@oerlikon.com
Sales:
Phone: +1-724-327-5700
Fax: +1-724-333-1217
Service:
Phone: +1-724-327-5700
Fax: +1-724-325-3577

Brazil

**Oerlikon Leybold Vacuum
Brasil**
Rod. Vice-Prefeito Hermenegildo Tonolli,
nº. 4413 - 6B
Distrito Industrial
Jundiá - SP
CEP 13.212-315
Sales and Service:
Phone: +55 11 2152 0499
Fax: +55 11 99467 5934
sales.vacuum.ju@oerlikon.com
service.vacuum.ju@oerlikon.com

Asia

P. R. China

**Oerlikon Leybold Vacuum (Tianjin)
International Trade Co. Ltd.**
Beichen Economic
Development Area (BEDA),
No. 8 Western Shuangchen Road
Tianjin 300400
China
Sales and Service:
Phone: +86-22-2697 0808
Fax: +86-22-2697 4061
Fax: +86-22-2697 2017
sales.vacuum.tj@oerlikon.com
service.vacuum.tj@oerlikon.com

India

**Oerlikon Leybold Vacuum
India Pvt Ltd.**
No. 82(P), 4th Phase
K.I.A.D.B. Plot
Bommasandra Industrial Area
Bangalore - 560 099
India
Sales and Service:
Phone: +91-80-2783 9925
Fax: +91-80-2783 9926
sales.vacuum.bgl@oerlikon.com
service.vacuum.bgl@oerlikon.com

Japan

**Oerlikon Leybold Vacuum
Japan Co., Ltd.**
Headquarters
Shin-Yokohama A.K.Bldg., 4th floor
3-23-3, Shin-Yokohama
Kohoku-ku, Yokohama-shi
Kanawaga 222-0033
Japan
Sales:
Phone: +81-45-471-3330
Fax: +81-45-471-3323
info.vacuum.yh@oerlikon.com
sales.vacuum.yh@oerlikon.com

Oerlikon Leybold Vacuum Japan Co., Ltd.

Tsukuba Technical Service Center
1959, Kami-yokoba
Tsukuba-shi, Ibaraki-shi 305-0854
Japan
Service:
Phone: +81-29 839 5480
Fax: +81-29 839 5485
service.vacuum.iik@oerlikon.com

Malaysia

**Oerlikon Leybold Malaysia
Oerlikon Leybold Vacuum
Singapore Pte Ltd.**
No. 1 Jalan Hi-Tech 2/6
Kulim Hi-Tech Park
Kulim, Kedah Darul
Aman 09000
Malaysia
Sales and Service:
Phone: +604 4020 222
Fax: +604 4020 221
sales.vacuum.ku@oerlikon.com
service.vacuum.ku@oerlikon.com

South Korea

**Oerlikon Leybold Vacuum
Korea Ltd.**
3F. Jellzone 2 Tower
Jeongja-dong 159-4
Bundang-gu Sungnam-si
Gyeonggi-do
Bundang 463-384, Korea
Sales:
Phone: +82-31 785 1367
Fax: +82-31 785 1359
sales.vacuum.bd@oerlikon.com
Service:
623-7, Ulsung-Dong
Cheonan-Si
Chungcheongnam-Do
Korea 330-290
Phone: +82-41 589 3035
Fax: +82-41 588 0166
service.vacuum.cn@oerlikon.com

Singapore

**Oerlikon Leybold Vacuum
Singapore Pte Ltd.**
8 Commonwealth Lane #01-01
Singapore 149555
Singapore
Sales and Service:
Phone: +65-6303 7030
Fax: +65-6773 0039
sales.vacuum.sg@oerlikon.com
service.vacuum.sg@oerlikon.com

Taiwan

**Oerlikon Leybold Vacuum
Taiwan Ltd.**
No 416-1, Sec. 3
Chunghsin Rd., Chutung
Hsinchu County 310
Taiwan, R.O.C.
Sales and Service:
Phone: +886-3-500 1688
Fax: +886-3-583 3999
sales.vacuum.hc@oerlikon.com
service.vacuum.hc@oerlikon.com

**Oerlikon
Leybold Vacuum GmbH**
Bonner Strasse 498
D-50968 Cologne
Phone: +49-(0)221-347 0
Fax: +49-(0)221-347 1250
info.vacuum@oerlikon.com

oerlikon
leybold vacuum
www.oerlikon.com/
leyboldvacuum

Artisan Technology Group is an independent supplier of quality pre-owned equipment

Gold-standard solutions

Extend the life of your critical industrial, commercial, and military systems with our superior service and support.

We buy equipment

Planning to upgrade your current equipment? Have surplus equipment taking up shelf space? We'll give it a new home.

Learn more!

Visit us at artisanng.com for more info on price quotes, drivers, technical specifications, manuals, and documentation.

Artisan Scientific Corporation dba Artisan Technology Group is not an affiliate, representative, or authorized distributor for any manufacturer listed herein.

We're here to make your life easier. How can we help you today?

(217) 352-9330 | sales@artisanng.com | artisanng.com

