



A TEREX BRAND

Parts Manual

Serial Number Range

GS-2669BE
GS-3369BE
GS-4069BE

from SN GS6914-5000

to GS6916-7896

from SN GS6916F-7897

to GS6916-10499

from SN GS69F-10500

Part No. 1257105
Rev: D
March 2021

Technical Publications

Genie has endeavored to deliver the highest degree of accuracy possible. However, continuous improvement of our products is a Genie policy. Therefore, product specifications are subject to change without notice.

Readers are encouraged to notify Genie of errors and send in suggestions for improvement. All communications will be carefully considered for future printings of this and all other manuals.

Contact Us:

Internet: www.genielift.com
e-mail: awp.techpub@terex.com

Find a Manual for this Model

Go to <http://www.genielift.com>

Use the links to locate Operator's, Parts, Maintenance, and Service and Repair Manuals.

Copyright © 2011 by Terex Corporation
1257105 Rev D September 2021
First Edition, Third Printing

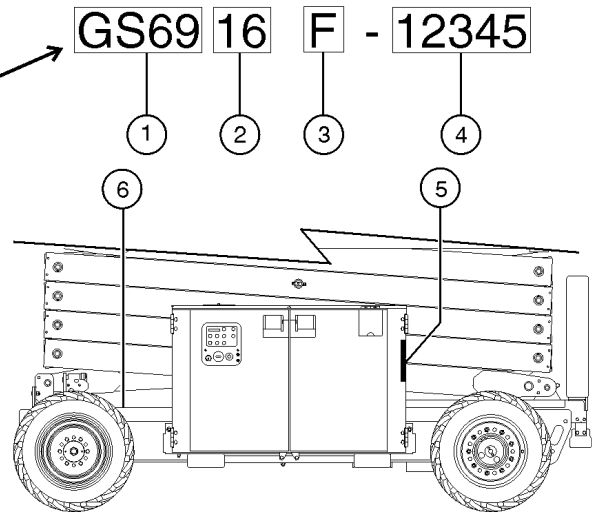
Genie is a registered trademark of Terex South Dakota, Inc. in the USA and many other countries. "GS" is a trademark of Terex South Dakota, Inc.

 Printed on recycled paper

To August 31, 2016

Genie
A TEREX BRAND

Model:
Serial number: GS6916F-12345
Manufacture date: 1/2/16 **Model year:** 2016
Electrical schematic number:
Machine unladen weight:
Rated work load (including occupants):
Maximum number of platform occupants:
Maximum allowable inclination of the chassis:
Outrigger retracted:
Outrigger deployed:



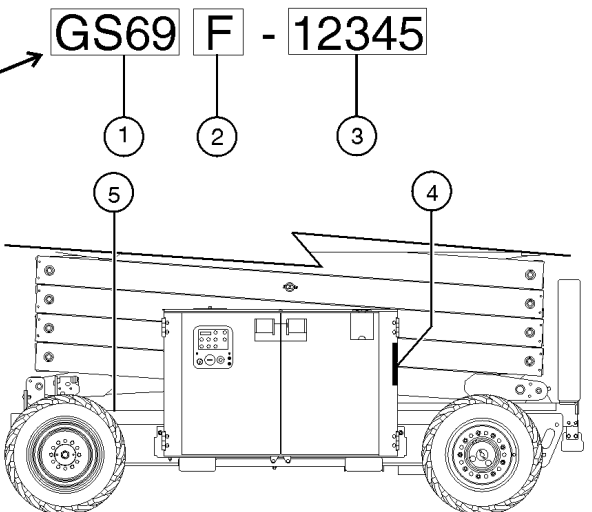
- 1 Model
- 2 Model year
- 3 Facility code

- 4 Sequence number
- 5 Serial label (located inside compartment)
- 6 Serial number (stamped on chassis)

From September 1, 2016

Genie
A TEREX BRAND

Model:
Serial number: GS69F-12345
Year of manufacture: 2016
Electrical schematic number:
Machine unladen weight:
Rated work load (including occupants):
Maximum number of platform occupants:
Maximum allowable inclination of the chassis:
Outrigger retracted:
Outrigger deployed:



- 1 Model
- 2 Facility code
- 3 Sequence number

- 4 Serial label (located inside compartment)
- 5 Serial number (stamped on chassis)

How to Order Parts

Please be prepared with the following information when ordering replacement parts for your Terex or Genie product.

- Machine model number
- Machine serial number
- Part number
- Part description and quantity
- Purchase order number
- "Ship to" address
- Desired method of shipment
- Name and telephone number of the authorized distributor in your area

Use the Service Parts Fax Order Form on the next page and fax your order to our Parts Department.

If you don't know the name of your authorized distributor, or if your area is not currently serviced by an authorized distributor, please call Terex or Genie Industries.

Machine Information

Model

Serial Number

Date of Purchase

Authorized Genie Distributor

Phone Number

North America

Telephone (425)881-1800
 Toll Free (800)536-1800 in US and Canada
 Fax (425)556-8659
 Toll Free fax (888)274-6192
 Email AWP.PartsSalesPO@terex.com
<http://genielift.com/en>

EMEAR (Europe, Middle East, Africa and Russia)

Telephone (31)(165)519 313
 Fax (31)(165)511 148
<http://genielift.co.uk>

Asia Pacific (Genie Singapore)

Telephone +65 6692 7777
 Fax +65 6261 8893
<http://genielift.com.sg/>

Australia

Telephone (61)(7)3456 4444
 Fax (61)(7)3456 4466
<http://genielift.com.au>

South America

Telephone (55)(11)4082 5600
 Fax (55)(11)4082 5630

Required Parts

The following parts are required to perform maintenance procedures as outlined in the *Genie GS-69 BE Service Manual*.

Description	Part No.
Plug and Cap Kit (for ORFS fittings).....	49613
Dielectric Grease	66399
Hydraulic Filter.....	60857
Cotter Pin.....	45114
Hydraulic Tank Cap (models w/opt. hyd fluid)	131658

Recommended Parts

Description	Part No.
Genie Blue Paint, 1 Gallon	32150
Genie Blue Paint, 12 Ounce Aerosol.....	1484
Genie Gray Paint, 1 Gallon.....	32151
Genie Gray Paint, 12 Ounce Aerosol	1268

Genie Industries offers the following support documents for these models:

EMI Safety Manual.....	27581
Manual of Responsibilities	
ANSI A92.6	44163



Service Parts Fax Order Form

Fax to: (425) 556-8659 or Toll Free: 888-274-6192
International: +1-425-556-8659

Please fill out completely

Date _____	Account Number _____
Your Name _____	Your Fax Number _____
_____	Your Phone Number _____
Bill To _____	Ship To _____
_____	_____
_____	_____
_____	_____
Purchase Order Number _____	Ship Via _____

Model(s) _____ Serial No.(s) _____
Optional Equipment _____

Part Number	Description	Quantity	Price

- All back-ordered parts will be shipped when available via the same ship method as the original order unless Noted below:
- Ship complete order only - No back orders
 - Ship all available parts and contact customer on disposition of back-ordered parts
 - Other (please specify)



Description	Page
100 Decals	10
101.1 Decals with Words, GS-2669, Battery Side (to SN GS69F-17999)	10
102.1 Decals with Words, GS-2669, Controls Side (to SN GS69F-17999)	12
103.1 Decals with Words, GS-2669, Platform, ANSI & CSA (to SN GS69F-17999)	16
104.1 Decals with Words, GS-2669, Platform, AUS (to SN GS69F-17999)	18
105.1 Decals with Symbols, GS-2669, Battery Side (to SN GS69F-17999)	20
106.1 Decals with Symbols, GS-2669, Controls Side (to SN GS69F-17999)	22
107.1 Decals with Symbols, GS-2669, Platform, ANSI (Asia & South America) (to SN GS69F-17999)	26
108.1 Decals with Symbols, GS-2669, Platform, CE (to SN GS69F-17999)	28
109.1 Decals with Words, GS-3369, Battery Side (to SN GS69F-17999)	30
110.1 Decals with Words, GS-3369, Controls Side (to SN GS69F-17999)	32
111.1 Decals with Words, GS-3369, Platform, ANSI & CSA (to SN GS69F-17999)	36
112.1 Decals with Words, GS-3369, Platform, AUS (to SN GS69F-17999)	38
113.1 Decals with Symbols, GS-3369, Battery Side (to SN GS69F-17999)	40
114.1 Decals with Symbols, GS-3369, Controls Side (to SN GS69F-17999)	42
115.1 Decals with Symbols, GS-3369, Platform, Asia & South America (to SN GS69F-17999)	46
116.1 Decals with Symbols, GS-3369, Platform, CE (to SN GS69F-17999)	48
117.1 Decals with Words, GS-4069, Battery Side (to SN GS69F-17999)	50
118.1 Decals with Words, GS-4069, Controls Side (to SN GS69F-17999)	52
119.1 Decals with Words, GS-4069, Platform, ANSI & CSA (to SN GS69F-17999)	56
120.1 Decals with Words, GS-4069, Platform, AUS (to SN GS69F-17999)	58
121.1 Decals with Symbols, GS-4069, Battery Side (to SN GS69F-17999)	60
122.1 Decals with Symbols, GS-4069, Controls Side (to SN GS69F-17999)	62
123.1 Decals with Symbols, GS-4069, Platform, Asia & South America (to SN GS69F-17999)	66
124.1 Decals with Symbols, GS-4069, Platform, CE (to SN GS69F-17999)	68
125.1 Decals with Word, Battery Side (from SN GS69F-18000)	70
126.1 Decals with Word, Controls Side (from SN GS69F-18000)	72
127.1 Decals with Word Platform (from SN GS69F-18000)	76
128.1 Decals with Symbol, Battery Side (from SN GS69F-18000)	80
129.1 Decals with Symbol, Controls Side (from SN GS69F-18000)	82
130.1 Decals with Symbol, Platform (from SN GS69F-18000)	86
200 Drive Chassis Components.....	90
201.1 Steer Axle Linkage, Wheels and Drive Motors	90
202.1 Steer Axle Linkage, Oscillation	96
203.1 Non-Steer Axle and Drive Motors	98
204.1 Ladder and Counterweight, GS-2669	104
204.2 Ladder and Counterweight, GS-3369	106
204.3 Ladder and Counterweight, GS-4069	108
205.1 Drive Chassis, Safety Components	110

Table of Contents

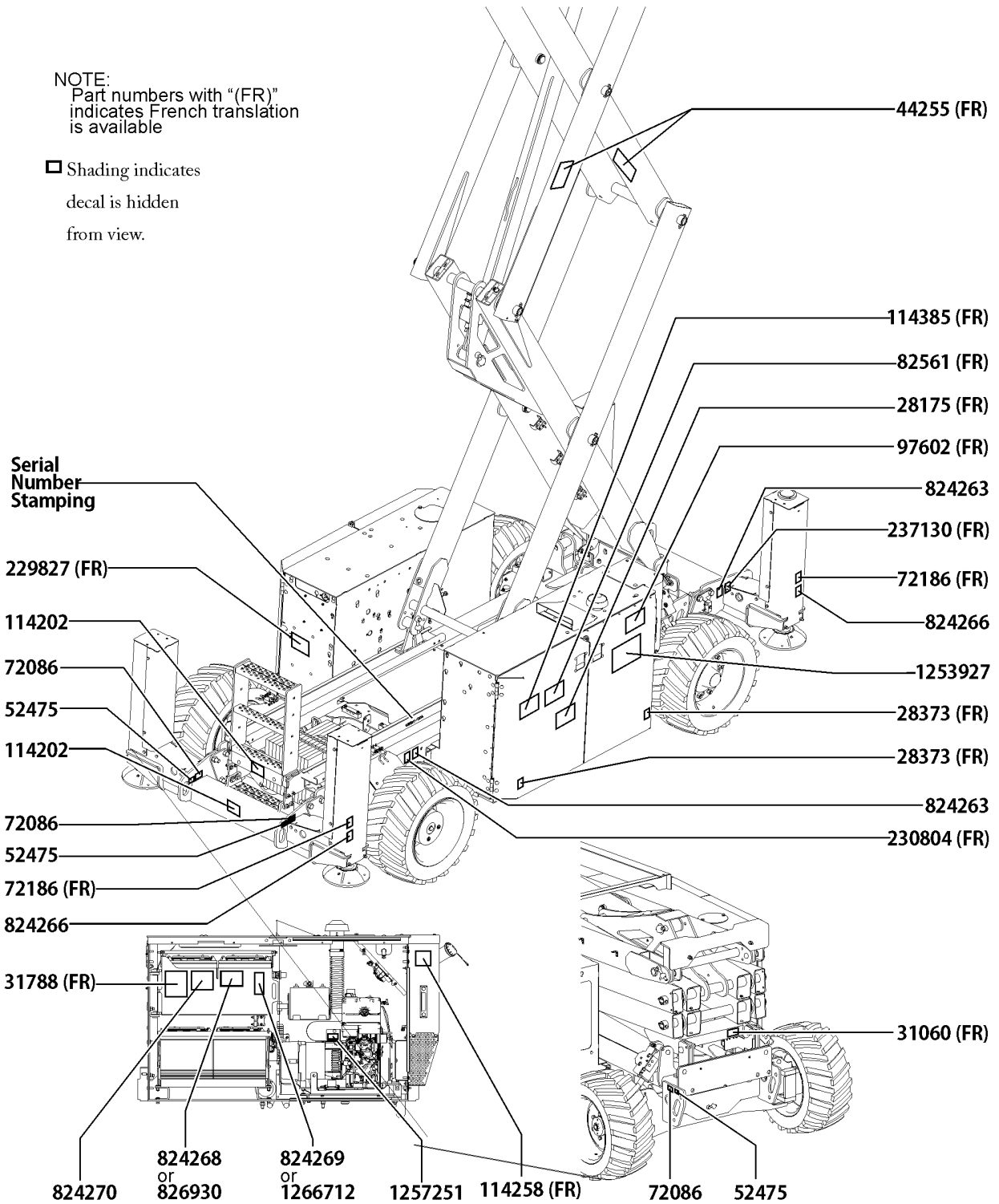
Description	Page
300 Chassis Tray Components	112
301.1 Hydraulic Tank and Ground Controls Installation	112
302.1 Ground Controls	114
303.1 Hydraulic Tray Components, View 1	120
304.1 Hydraulic Tray Components, View 2	124
305.1 Engine and Battery Tray Components, View 1	128
306.1 Engine and Battery Tray Components, View 2	134
307.1 Engine and Battery Tray Components, View 3	138
308.1 Chassis Cover Installation	146
309.1 Power Cables	148
310.1 Electrical Wiring and Power Cables (to GS69F-17999)	152
310.2 Electrical Wiring and Power Cables (from GS69F-18000)	156
400 Engine Components	160
401.1 Kohler K-350 Engine, View 1	160
402.1 Kohler K-350 Engine, View 2	164
500 Scissor Components	166
501.1 Scissor Components, View 1, GS-2669	166
502.1 Scissor Components, View 1, GS-3369	172
503.1 Scissor Components, View 2, GS-3369	176
504.1 Scissor Components, View 1, GS-4069	178
505.1 Scissor Components, View 2, GS-4069	182
600 Platform Components	186
601.1 Platform Installation, GS-2669	186
602.1 Platform Installation, GS-3369 & GS-4069	188
603.1 Platform Railing Installation	190
604.1 Platform Entry Gate	192
605.1 Platform Extension	194
606.1 Platform Extension Deck Lock	198
607.1 Power to Platform, GS-2669	200
607.2 Power to Platform, GS-3369	202
607.3 Power to Platform, GS-4069	204
608.1 Platform Controls	206
609.1 Platform Controls Joystick	208
700 Hydraulic Components	210
701.1 Function Manifold (to SN 10014)	210
701.2 Function Manifold (from SN 10015)	212
702.1 Oscillate Cylinders, All Models	214

Description	Page
703.1 Lift Cylinders, GS-2669, GS-3369	216
703.2 Lift Cylinders, GS-4069	218
704.1 Hydraulic Hoses and Fittings, All Models	220
704.2 Hydraulic Hoses and Fittings, All Models	224
800 Accessories	228
801.1 Flashing Motion Beacon (to SN GS6916F-9824)	228
801.2 Flashing Motion Beacon (from SN GS6916F-9825)	230
802.1 Outrigger Installation, View 1	232
803.1 Outrigger Installation, View 2	234
804.1 Outrigger Manifold	238
805.1 Outrigger Cylinders, All Models	240
806.1 Hydraulic Hoses and Fitting, Outrigger	242
807.1 Air Line to Plat, GS-2669	244
807.2 Air Line to Plat, GS-3369	246
807.3 Air Line to Plat, GS-4069	248
808.1 Link Guard, CE and Australia, GS-2669	250
808.2 Link Guard, CE and Australia, GS-3369	252
809.3 Platform Work Light, GS-4069	254
810.1 Telematics Option (from SN GS6914-5500)	256
811.1 Lift Tool Material Carrier	258
Part Number Index	260

101.1 Decals with Words, GS-2669, Battery Side (to SN GS69F-17999)

NOTE:
Part numbers with "(FR)"
indicates French translation
is available

☐ Shading indicates
decal is hidden
from view.



101.1 Decals with Words, GS-2669, Battery Side (to SN GS69F-17999)

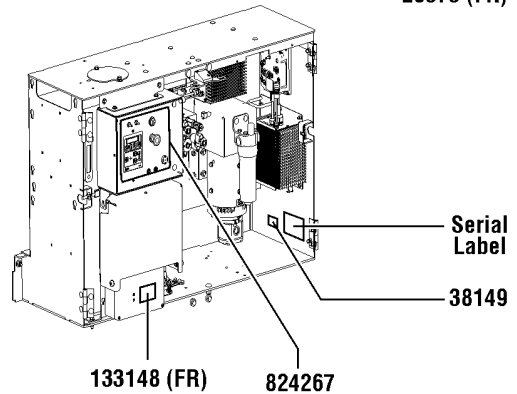
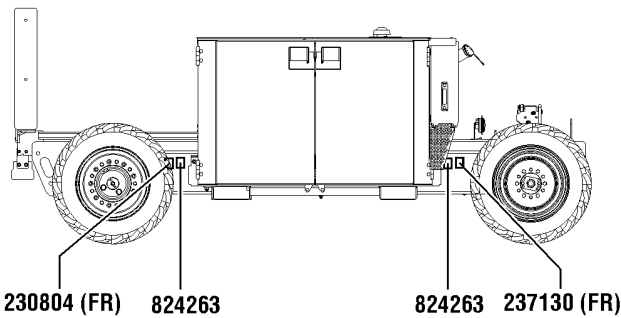
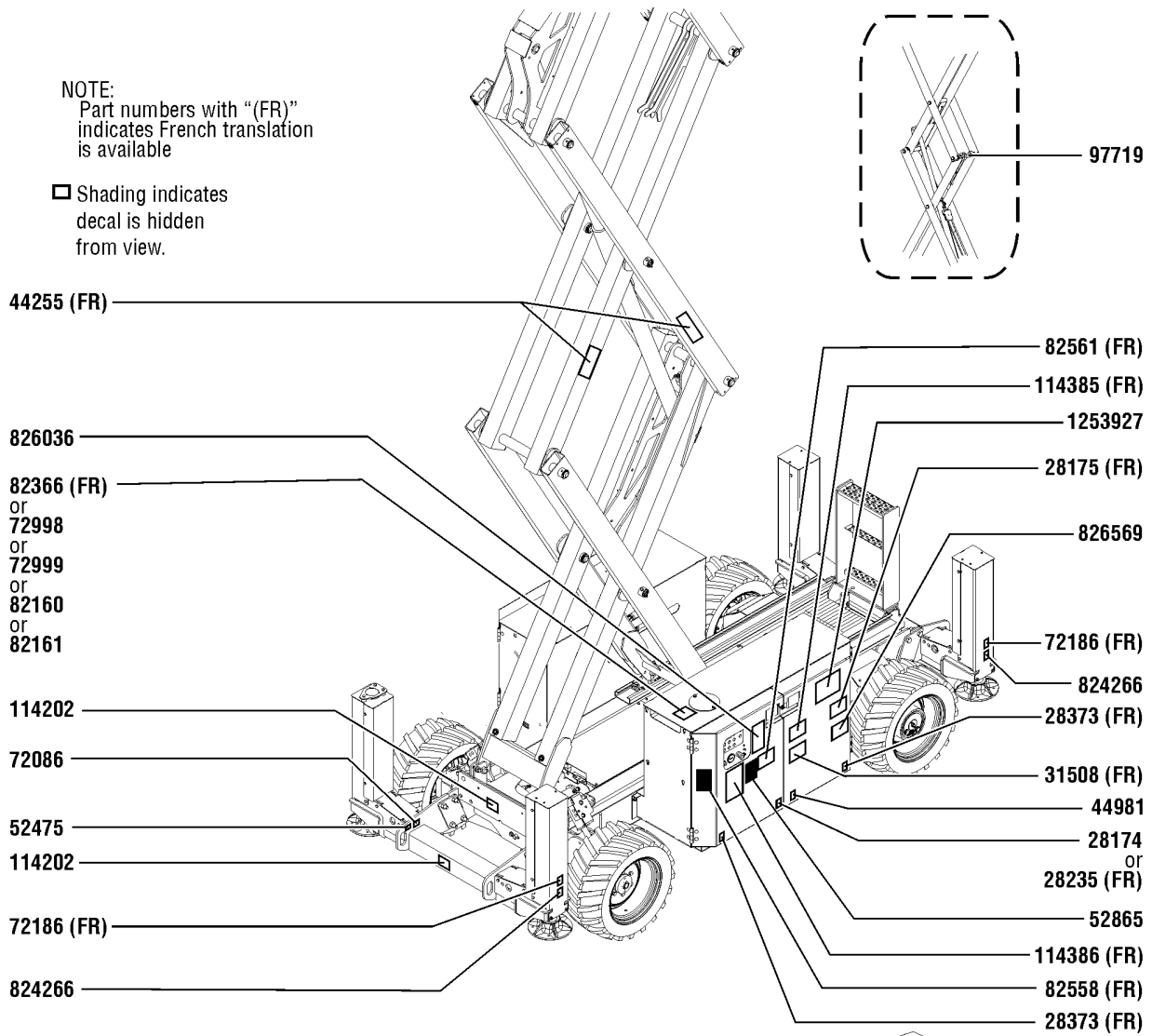
Item	Part No.	Description	Qty.
1	28175GT	DECAL,WARNING-COMPART ACCESS	1
2	28373GT	DECAL,FORK LIFT POCKET	2
3	31060GT	DECAL,DANGER DO NOT ALTER SWTC	1
4	31788GT	DECAL,DANGER,BATTERY SAFETY***	1
5	44255GT	DECAL,DANGER,CRUSHING HAZARD	2
6	52475GT	DECAL,LABEL,TRANSPORT TIEDOWN*	3
7	72086GT	DECAL,LABEL,LIFTING EYE	3
8	72186GT	DECAL,WARNING,CRUSHING HAZARD	2
		(models with outriggers)	
9	82561GT	DECAL,DANGER-USE SAFETY ARM	1
10	97602GT	DECAL,EXPLOSION HAZARD	1
11	114202GT	DECAL,LABEL,TRANSPORT TIE 68	1
12	114258GT	DECAL,DANGER,NO SMOKING	1
13	114385GT	DECAL,DANGER,ELEC HAZARD,GS	1
14	229827GT	DECAL,WARNING,HOT SURFACE	1
15	230804GT	DECAL,NOTICE,TIRE SPECS, REAR	1
		(non-steer end)	
16	237130GT	DECAL,NOTICE,TIRE SPECS, FRONT	1
		(steer end)	
17	824263GT	DECAL,LABEL,WHEEL LD,GS2669BE	2
18	824266GT	DECAL,LABEL,OUTRIGGER LD,BE	2
		(models with outriggers)	
19	824268GT	DECAL,DANGER-TIP-OVR,BE,T145	1
		T145 Batteries	
20A	824269GT	DECAL,KOHLER ENGINE SPEC KD350	1
		ANSI/CSA models (3600rpm)	
20B	1266712GT	DECAL,KOHLER ENG.SPEC,3000RPM	1
		all other models (3000 rpm)	
21	824270GT	DECAL,BATT CONN DIAGRAM,BE	1
		T105 and T145 Batteries	
22	826930GT	DECAL,DANGER-TIP-OVR,BE,T105	1
		T105 Batteries	
23	1253927GT	DECAL,COSMETIC,BI-ENERGY	1
24	1257251GT	DECAL,WARNING,HOT SURFACE	1



102.1 Decals with Words, GS-2669, Controls Side (to SN GS69F-17999)

NOTE:
Part numbers with "(FR)" indicates French translation is available

☐ Shading indicates decal is hidden from view.



102.1 Decals with Words, GS-2669, Controls Side (to SN GS69F-17999)

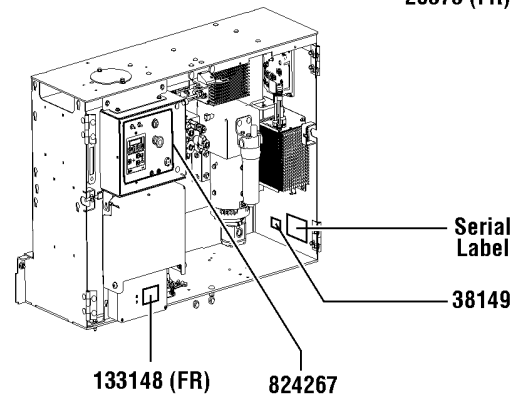
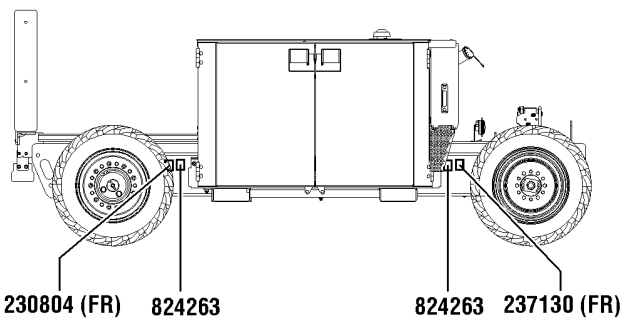
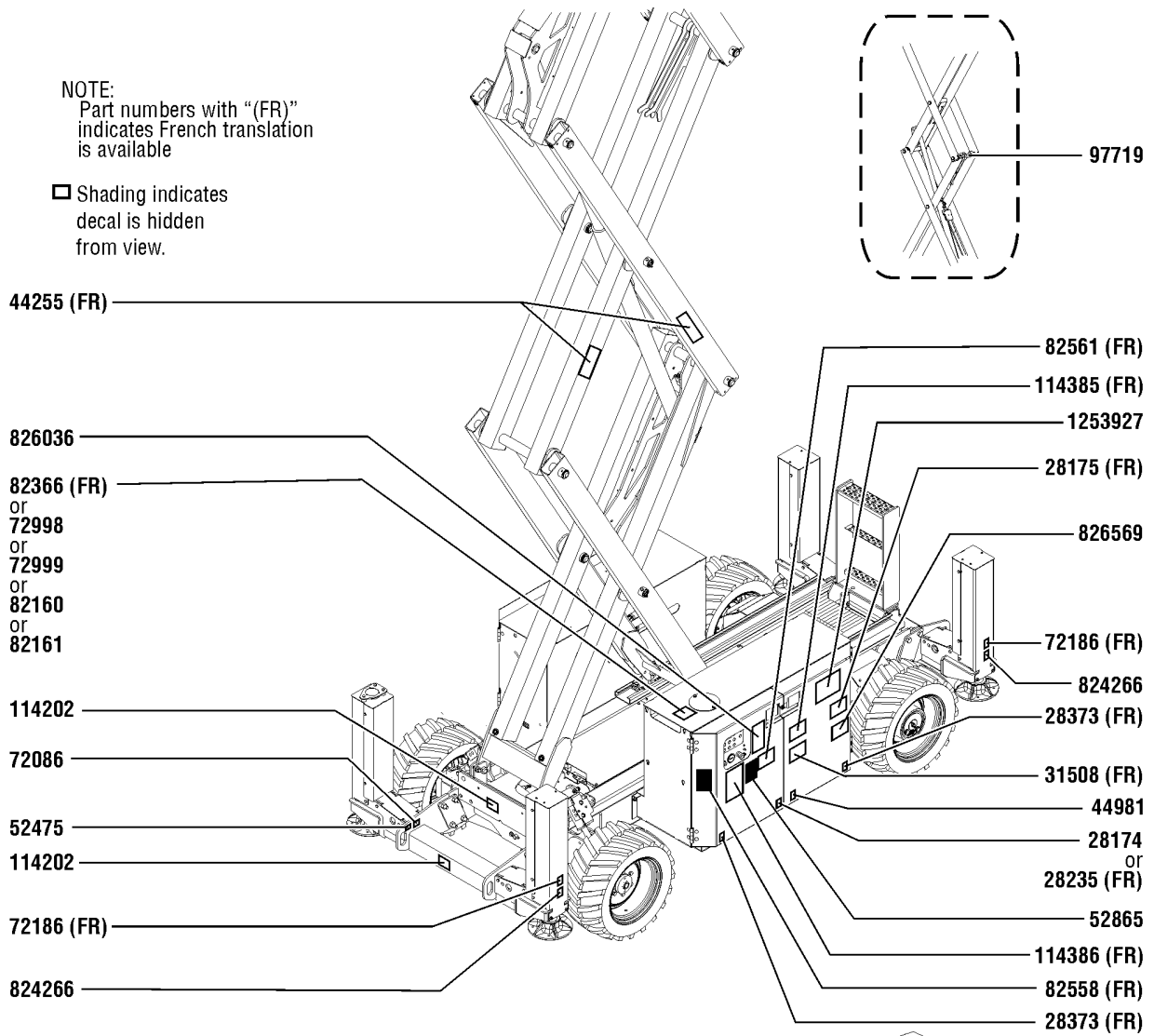
Item	Part No.	Description	Qty.
1	28174GT	DECAL,POWER TO PLATFORM 230V	1
2	28175GT	DECAL,WARNING-COMPART ACCESS	1
3	28235GT	DECAL,POWER TO PLATFORM 115V	1
4	28373GT	DECAL,FORK LIFT POCKET	2
5	31508GT	DECAL,DANGER,ELECT HAZARD,PLUG	1
6	38149GT	DECAL,LABEL,PATENTS	1
		(US only)	
7	44255GT	DECAL,DANGER,CRUSHING HAZARD	2
8	44981GT	DECAL,LABEL,AIRLINE 110 PSI	1
		Option, airline to platform	
9	52475GT	DECAL,LABEL,TRANSPORT TIEDOWN*	1
10	52865GT	DECAL,ANNUAL INSP***	1
		(ANSI only)	
11	72086GT	DECAL,LABEL,LIFTING EYE	1
12	72186GT	DECAL,WARNING,CRUSHING HAZARD	2
		(models with outriggers)	
13	72998GT	DECAL,LABEL,QUINTOLUBRIK	1
		(For models with Quintolub hydraulic oil only)	
14	72999GT	DECAL,LABEL,PETRO CANADA***	1
		(For models with petro canada hydraulic oil only)	
15	82160GT	DECAL,LABEL,STATOIL HYDRA WAY	1
		(For models with Statoil hydraulic oil only)	
16	82161GT	DECAL,LABEL,UCON HYDROLUBE	1
		(For models with Ucon Hydrolube hydraulic oil only)	
17	82366GT	DECAL,CHEVRON RANDO HD	1
		(For models with chevron rando hydraulic oil only)	
18	82558GT	DECAL,SKIN INJECTION	1
19	82561GT	DECAL,DANGER-USE SAFETY ARM	1
20	97719GT	DECAL, LABEL, SAFETY ARM SYMB	1
21	114202GT	DECAL,LABEL,TRANSPORT TIE 68	1
22	114385GT	DECAL,DANGER,ELEC HAZARD,GS	1
23	114386GT	DECAL,DANGER-GEN SAFETY	1
24	133148GT	DECAL,DANGER,HAZARD VOLTAGE	1
25	230804GT	DECAL,NOTICE,TIRE SPECS, REAR	1
		(non-steer end)	
26	237130GT	DECAL,NOTICE,TIRE SPECS, FRONT	1
		(steer end)	
27	824263GT	DECAL,LABEL,WHEEL LD,GS2669BE	2
28	824266GT	DECAL,LABEL,OUTRIGGER LD,BE	2
		(models with outriggers)	



102.1 Decals with Words, GS-2669, Controls Side (to SN GS69F-17999)

NOTE:
Part numbers with "(FR)" indicates French translation is available

☐ Shading indicates decal is hidden from view.



102.1 Decals with Words, GS-2669, Controls Side (to SN GS69F-17999)

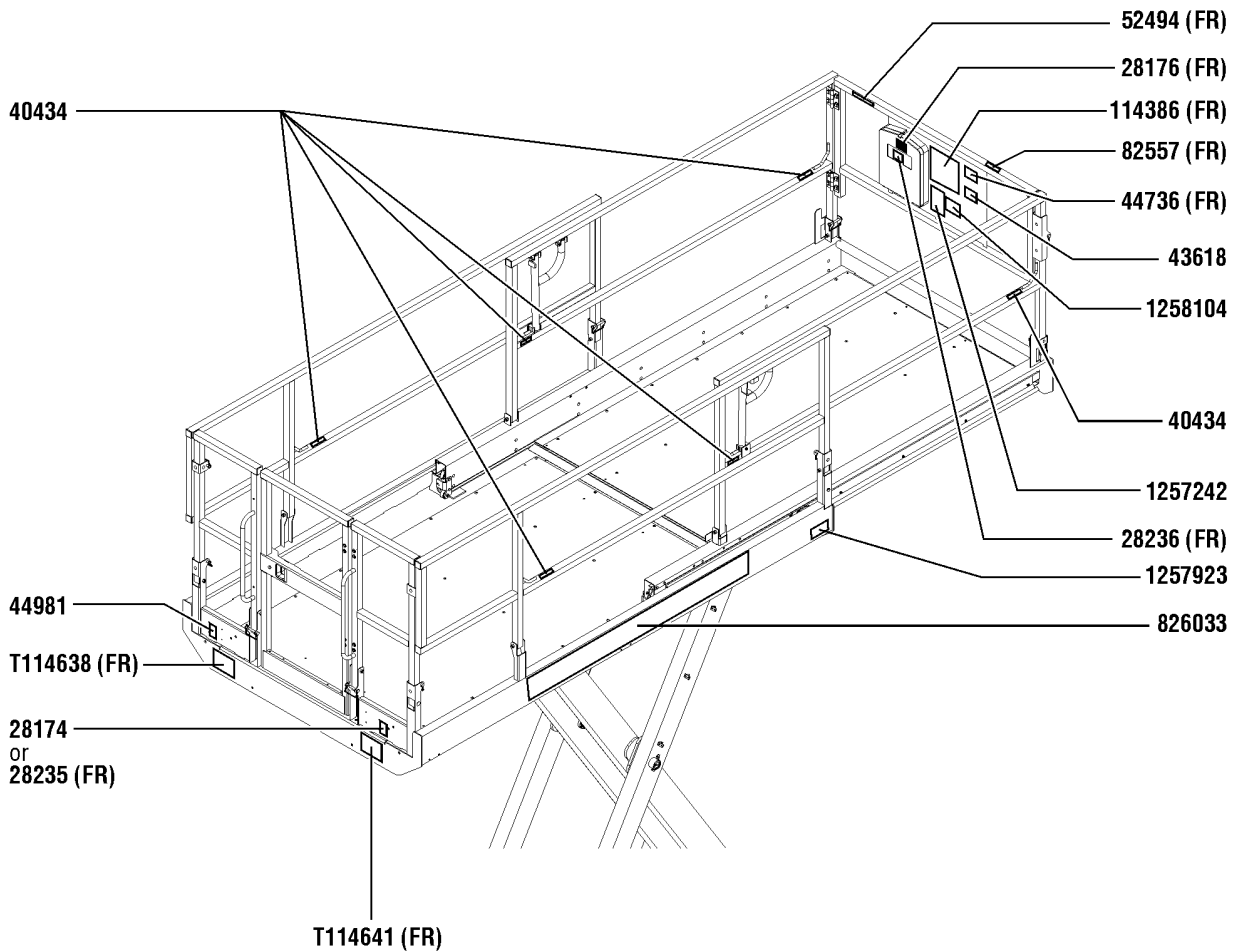
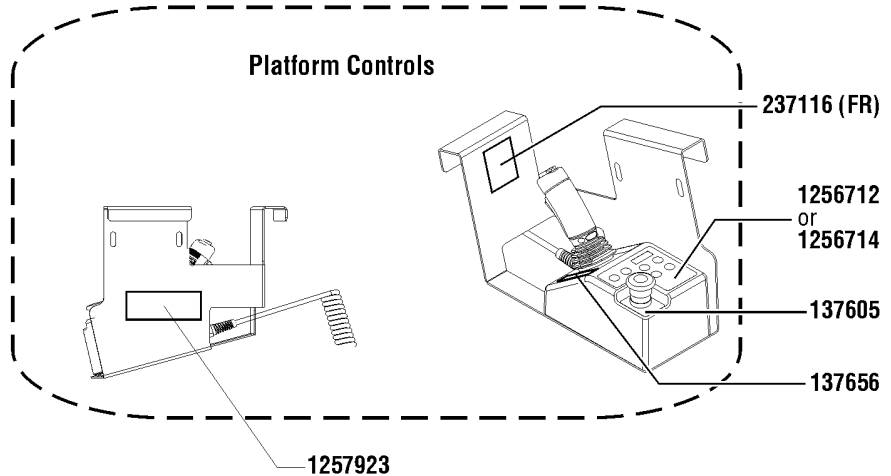
<i>Item</i>	<i>Part No.</i>	<i>Description</i>	<i>Qty.</i>
29	824267GT	DECAL, GROUND CONTROL PANEL,	1
30	826036GT	DECAL,GRND OPS INSTRUCT,GS69BE	1
31	826569GT	DECAL,INSTRUCTIONS-CHARGER OP	1
32	1253927GT	DECAL,COSMETIC,BI-ENERGY	1



103.1 Decals with Words, GS-2669, Platform, ANSI & CSA (to SN GS69F-17999)

NOTE:
Part numbers with "(FR)" indicates French translation is available

☐ Shading indicates decal is hidden from view.



103.1 Decals with Words, GS-2669, Platform, ANSI & CSA (to SN GS69F-17999)

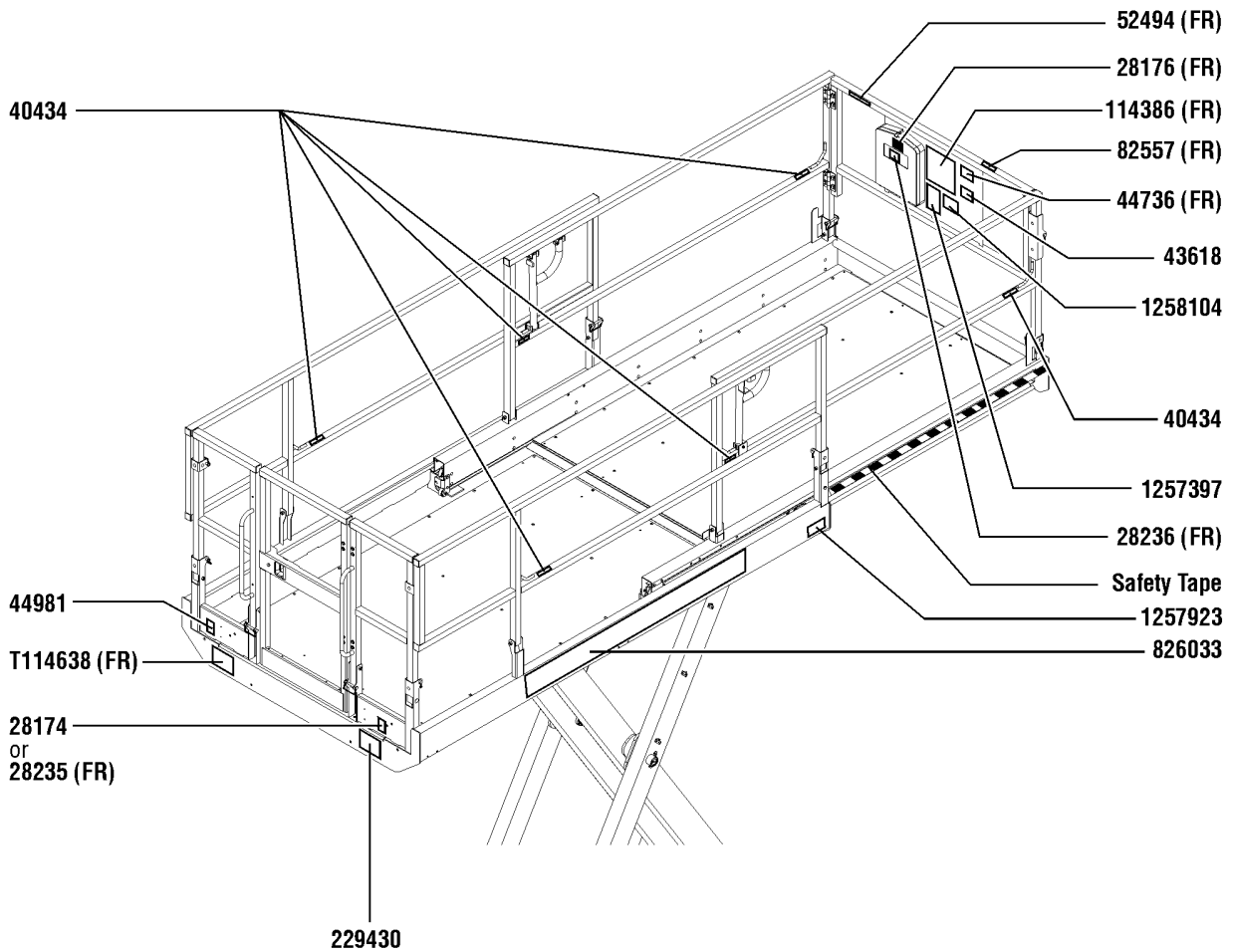
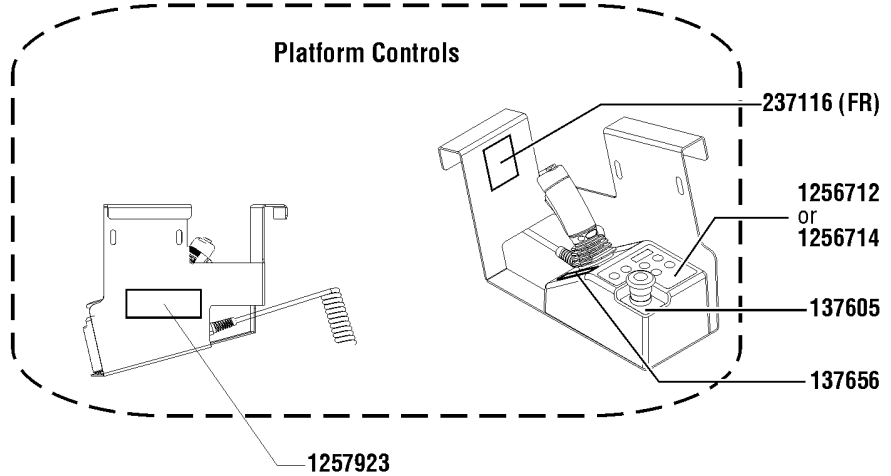
Item	Part No.	Description	Qty.
1	28174GT	DECAL,POWER TO PLATFORM 230V	1
2	28176GT	DECAL,LABEL,MANUAL NOT HERE	1
3	28235GT	DECAL,POWER TO PLATFORM 115V	1
4	28236GT	DECAL,WARN,IMPROPER OPERATION	1
5	40434GT	DECAL,LANYARD ANCHORAGE POINT	6
6	43618GT	DECAL,LABEL-DIRECTION ARROWS	1
7	44736GT	DECAL,DANGER,TIP-OVER,TILT	1
8	44981GT	DECAL,LABEL,AIRLINE 110 PSI	1
		Option, airline to platform	
9	52494GT	DECAL,CAUTION,CRUSH HAZ, RAILS	1
10	82557GT	DECAL,LABEL,PLAT CONT LOCATION	1
11	114386GT	DECAL,DANGER-GEN SAFETY	1
12	137605GT	DECAL,E-STOP,GR/GRC/GS PCON	1
13	137656GT	DECAL,PROPEL,GR/GRC/GS,PCON	1
14	237116GT	DECAL,LABEL,FAULT CODES,69DC	1
15	826033GT	DECAL,COSMETIC GENIE GS-2669BE	1
16	T114638GT	DECAL,NOTICE,MAX CAP GS2669	1
17	T114641GT	DECAL,NOTICE,SIDE FRC,2669 ANS	1
18	1256712GT	DECAL,STD,PROP LIFT,69BE,UI	1
		(models without outriggers)	
19	1256714GT	DECAL,O/R,PROP LIFT,69BE,UI	1
		(models with outriggers)	
20	1257242GT	DECAL,NOTICE,OP,INST,PLAT,69BE	1
21	1257923GT	DECAL, SMARTLINK PROPORTIONAL LIFT IDENTIFIER	2
22	1258104GT	DECAL,DANGER,OUTRIGGER SAFETY	1
		(models with outriggers)	



104.1 Decals with Words, GS-2669, Platform, AUS (to SN GS69F-17999)

NOTE:
Part numbers with "(FR)" indicates French translation is available

☐ Shading indicates decal is hidden from view.

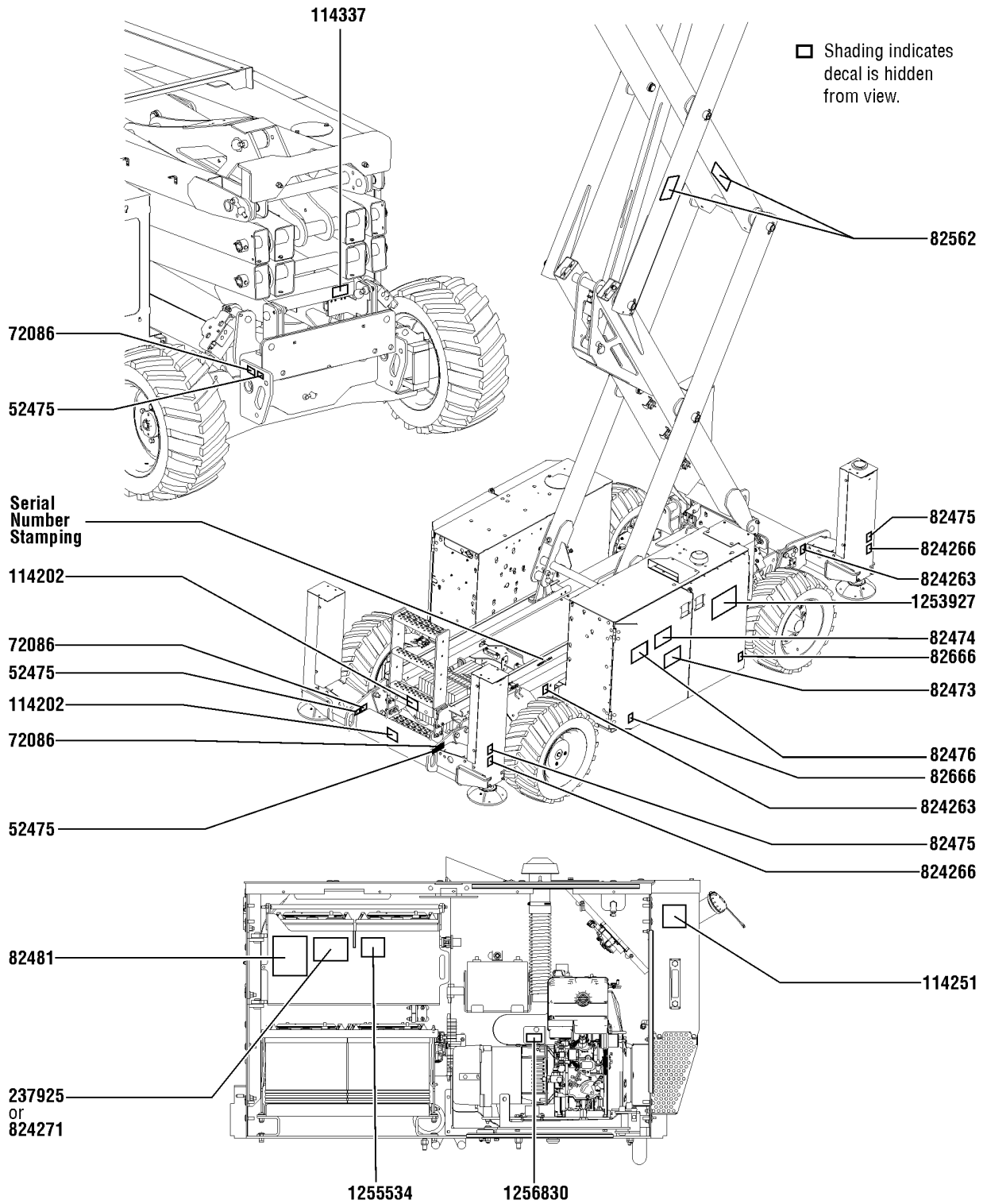


104.1 Decals with Words, GS-2669, Platform, AUS (to SN GS69F-17999)

Item	Part No.	Description	Qty.
1	28174GT	DECAL,POWER TO PLATFORM 230V	1
2	28176GT	DECAL,LABEL,MANUAL NOT HERE	1
3	28235GT	DECAL,POWER TO PLATFORM 115V	1
4	28236GT	DECAL,WARN,IMPROPER OPERATION	1
5	40434GT	DECAL,LANYARD ANCHORAGE POINT	6
6	43618GT	DECAL,LABEL-DIRECTION ARROWS	1
7	44736GT	DECAL,DANGER,TIP-OVER,TILT	1
8	44981GT	DECAL,LABEL,AIRLINE 110 PSI	1
		Option, airline to platform	
9	52494GT	DECAL,CAUTION,CRUSH HAZ, RAILS	1
10	82557GT	DECAL,LABEL,PLAT CONT LOCATION	1
11	114386GT	DECAL,DANGER-GEN SAFETY	1
12	137605GT	DECAL,E-STOP,GR/GRC/GS PCON	1
13	137656GT	DECAL,PROPEL,GR/GRC/GS,PCON	1
14	229430GT	DECAL NOTICE,MAN FRC,2669 AUS	1
15	237116GT	DECAL,LABEL,FAULT CODES,69DC	1
16	826033GT	DECAL,COSMETIC GENIE GS-2669BE	1
17	T114638GT	DECAL,NOTICE,MAX CAP GS2669	1
18	1256712GT	DECAL,STD,PROP LIFT,69BE,UI	1
		(models without outriggers)	
19	1256714GT	DECAL,O/R,PROP LIFT,69BE,UI	1
		(models with outriggers)	
20	1257397GT	DECAL,OP,INSTR,PLAT,69BE,AUS	1
21	1257923GT	DECAL, SMARTLINK PROPORTIONAL LIFT IDENTIFIER	2
22	1258104GT	DECAL,DANGER,OUTRIGGER SAFETY	1
		(models with outriggers)	



105.1 Decals with Symbols, GS-2669, Battery Side (to SN GS69F-17999)



105.1 Decals with Symbols, GS-2669, Battery Side (to SN GS69F-17999)

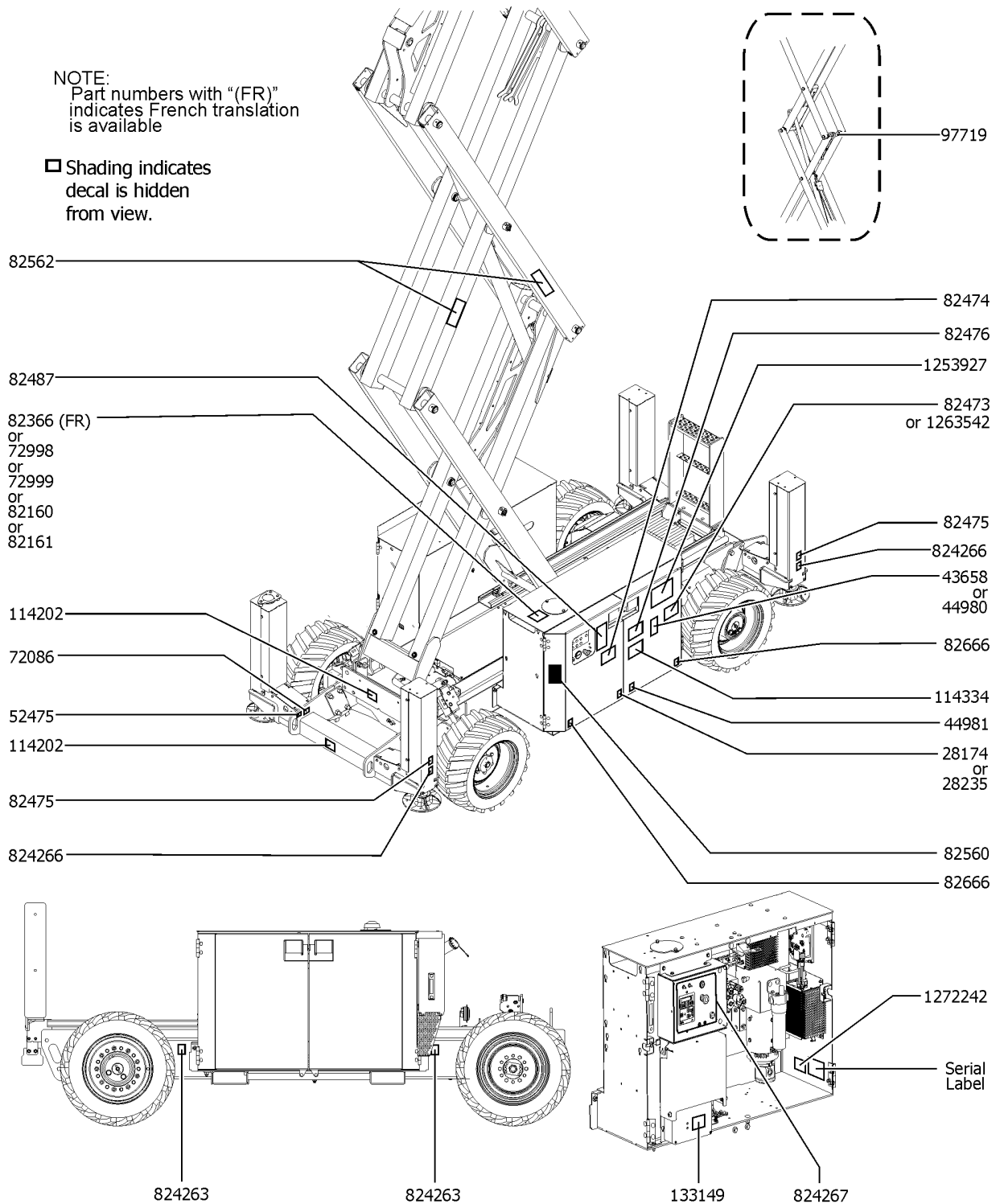
Item	Part No.	Description	Qty.
1	52475GT	DECAL,LABEL,TRANSPORT TIEDOWN*	3
2	72086GT	DECAL,LABEL,LIFTING EYE	3
3	82473GT	DECAL,SYMBOL-COMP ACCESS	1
4	82474GT	DECAL,SYMBOL-USE SAFETY ARM	1
5	82475GT	DECAL,SYMBOL-FOOT CRUSHING	2
		(models with outriggers)	
6	82476GT	DECAL,SYMBOL-ELEC HAZARD,GS	1
7	82481GT	DECAL,SYMBOL-BATTERY SAFETY	1
8	82562GT	DECAL,SYMBOL-CRUSHING HAZARD	2
9	82666GT	DECAL,LABEL,FORKLIFT POCKET	2
10	114202GT	DECAL,LABEL,TRANSPORT TIE 68	1
11	114251GT	DECAL,LABEL,NO SMOKING,SYMB	1
12	114337GT	DECAL,SYM-TIP-OVR,LIM SWITCH	1
13	237925GT	DECAL,DNGR-TIP-OVR,BATT,J305CE	1
		For T105 Batteries	
14	824263GT	DECAL,LABEL,WHEEL LD,GS2669BE	2
15	824266GT	DECAL,LABEL,OUTRIGGER LD,BE	2
		(models with outriggers)	
16	824271GT	DECAL,DNGR-TIP-OVR,BATT,T145CE	1
		For T145 Batteries	
17	1253927GT	DECAL,COSMETIC,BI-ENERGY	1
18	1255534GT	DECAL,LABEL,103 DB	1
		(CE only)	
19	1256830GT	DECAL,WARNING,HOT SURFACE	1



106.1 Decals with Symbols, GS-2669, Controls Side (to SN GS69F-17999)

NOTE:
Part numbers with "(FR)" indicates French translation is available

☐ Shading indicates decal is hidden from view.



106.1 Decals with Symbols, GS-2669, Controls Side (to SN GS69F-17999)

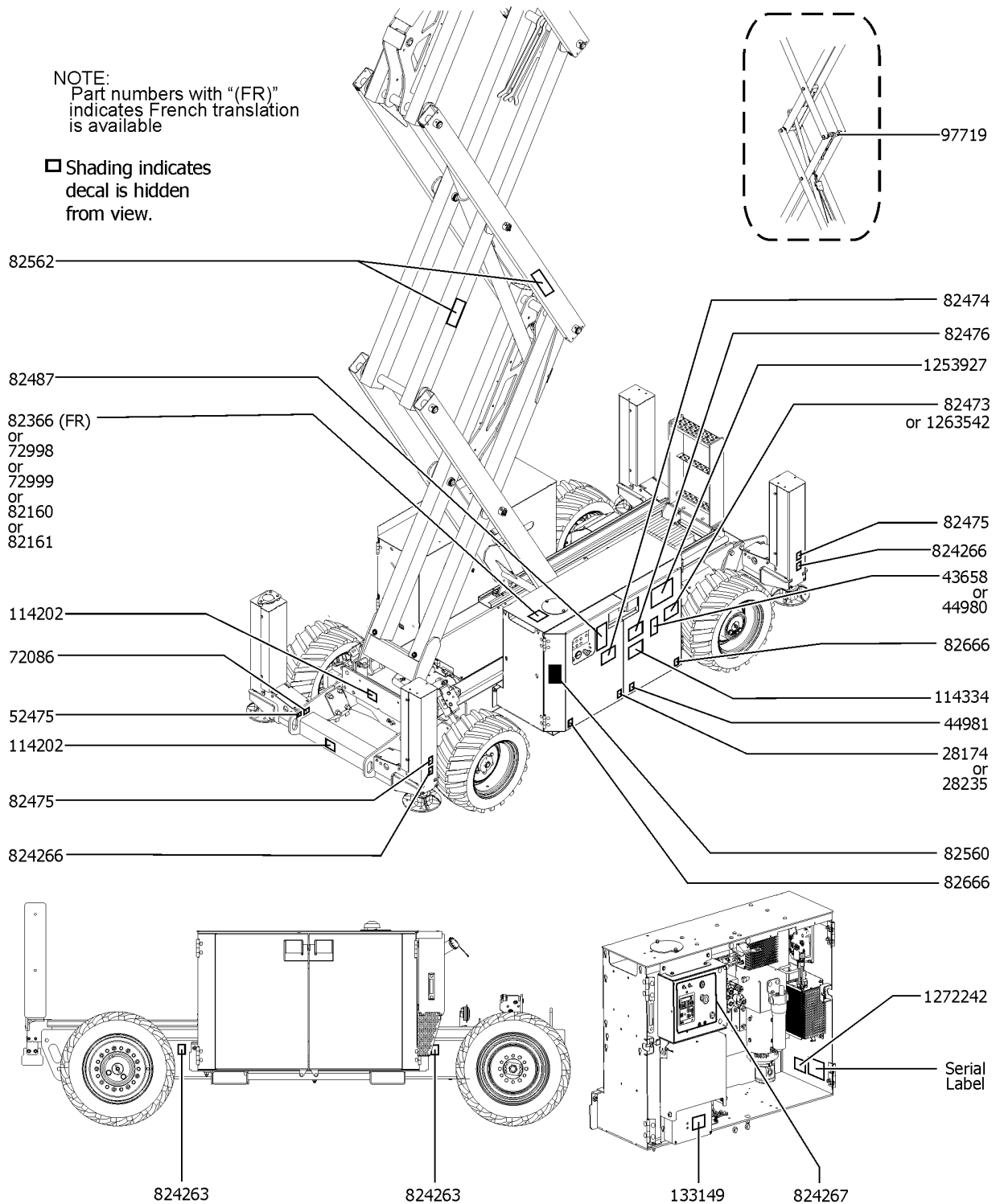
Item	Part No.	Description	Qty.
1	28174GT	DECAL,POWER TO PLATFORM 230V	1
2	28235GT	DECAL,POWER TO PLATFORM 115V	1
3	43658GT	DECAL, LABEL, PWR TO CHARGER 230 EU	1
4	44980GT	DECAL, LABEL, PWR TO CHARGER 115 UK	1
5	44981GT	DECAL,LABEL,AIRLINE 110 PSI	1
		Option, airline to plat	
6	52475GT	DECAL,LABEL,TRANSPORT TIEDOWN*	1
7	72086GT	DECAL,LABEL,LIFTING EYE	1
8	72998GT	DECAL,LABEL,QUINTOLUBRIK	1
		(For models with Quintolub hydraulic oil only)	
9	72999GT	DECAL,LABEL,PETRO CANADA***	1
		(For models with petro canada hydraulic oil only)	
10	82160GT	DECAL,LABEL,STATOIL HYDRA WAY	1
		(For models with Statoil hydraulic oil only)	
11	82161GT	DECAL,LABEL,UCON HYDROLUBE	1
		(For models with Ucon Hydrolube hydraulic oil only)	
12	82366GT	DECAL,CHEVRON RANDO HD	1
		(For models with chevron rando hydraulic oil only)	
13A	82473GT	DECAL,SYMBOL-COMP ACCESS	1
		(to 11474)	
13B	1263542GT	DECAL, COMPARTMENT ACCESS	2
		(from 11475)	
14	82474GT	DECAL,SYMBOL-USE SAFETY ARM	1
15	82475GT	DECAL,SYMBOL-FOOT CRUSHING	2
		(models with outriggers)	
16	82476GT	DECAL,SYMBOL-ELEC HAZARD,GS	1
17	82487GT	DECAL,SYMBOL-READ THE MANUAL	1
18	82560GT	DECAL,SYMBOL-SKIN INJECT HAZRD	1
19	82562GT	DECAL,SYMBOL-CRUSHING HAZARD	2
20	82666GT	DECAL,LABEL,FORKLIFT POCKET	2
21	97719GT	DECAL, LABEL, SAFETY ARM SYMB	1
22	114202GT	DECAL,LABEL,TRANSPORT TIE 68	1
23	114334GT	DECAL SYMBOL ELECTRIC HAZARD PLUG	1
24	133149GT	DECAL,LABEL-ELEC HAZ,SERV MAN	1
25	824263GT	DECAL,LABEL,WHEEL LD,GS2669BE	2
26	824266GT	DECAL,LABEL,OUTRIGGER LD,BE	2
		(models with outriggers)	
27	824267GT	DECAL, GROUND CONTROL PANEL,	1



106.1 Decals with Symbols, GS-2669, Controls Side (to SN GS69F-17999)

NOTE:
Part numbers with "(FR)" indicates French translation is available

☐ Shading indicates decal is hidden from view.

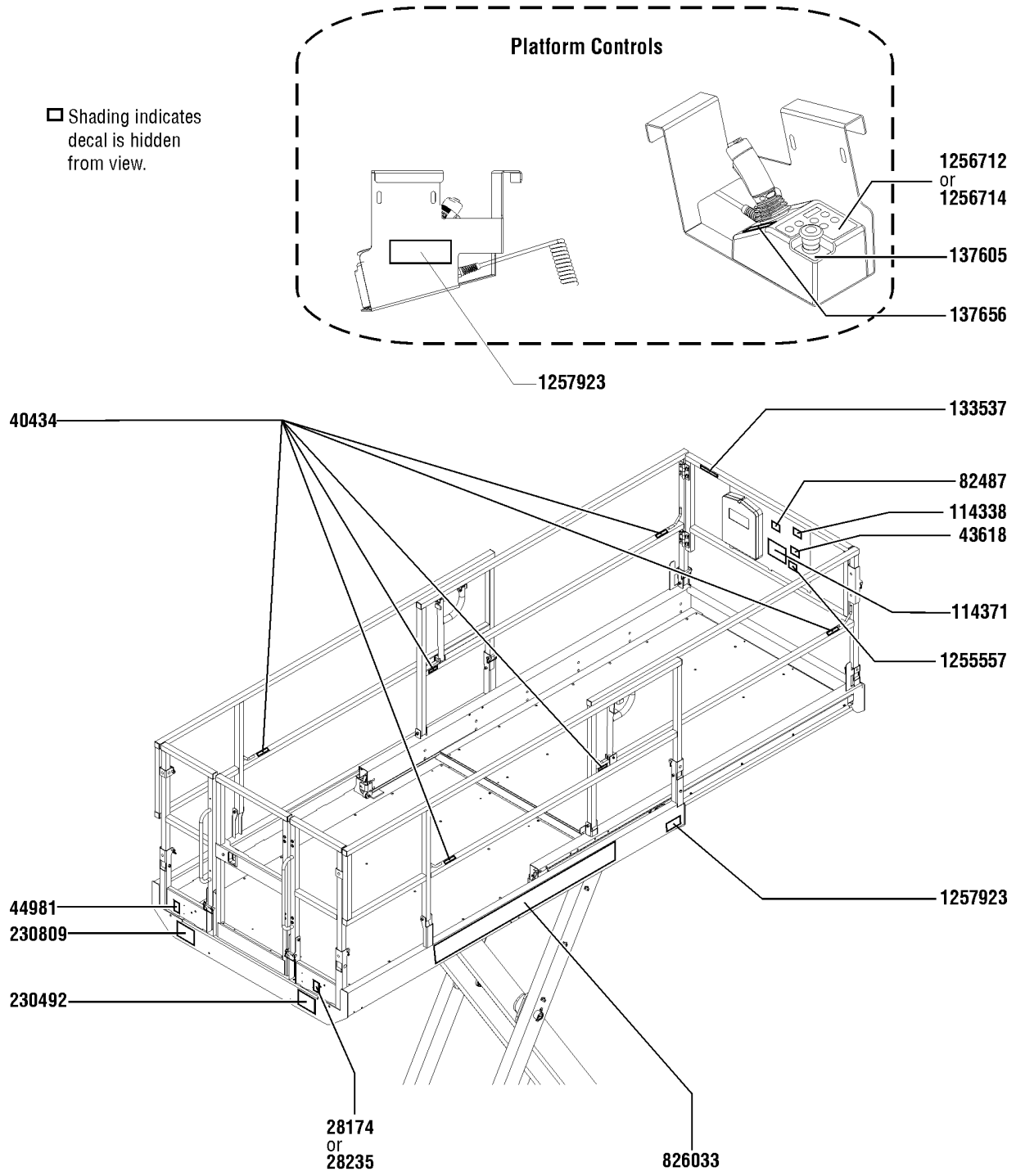


106.1 Decals with Symbols, GS-2669, Controls Side (to SN GS69F-17999)

<i>Item</i>	<i>Part No.</i>	<i>Description</i>	<i>Qty.</i>
28	1253927GT	DECAL,COSMETIC,BI-ENERGY	1
29	1272242GT	DECAL,MACHINE REGISTRATION/OWN	1



107.1 Decals with Symbols, GS-2669, Platform, ANSI (Asia & South America) (to SN GS69F-17999)

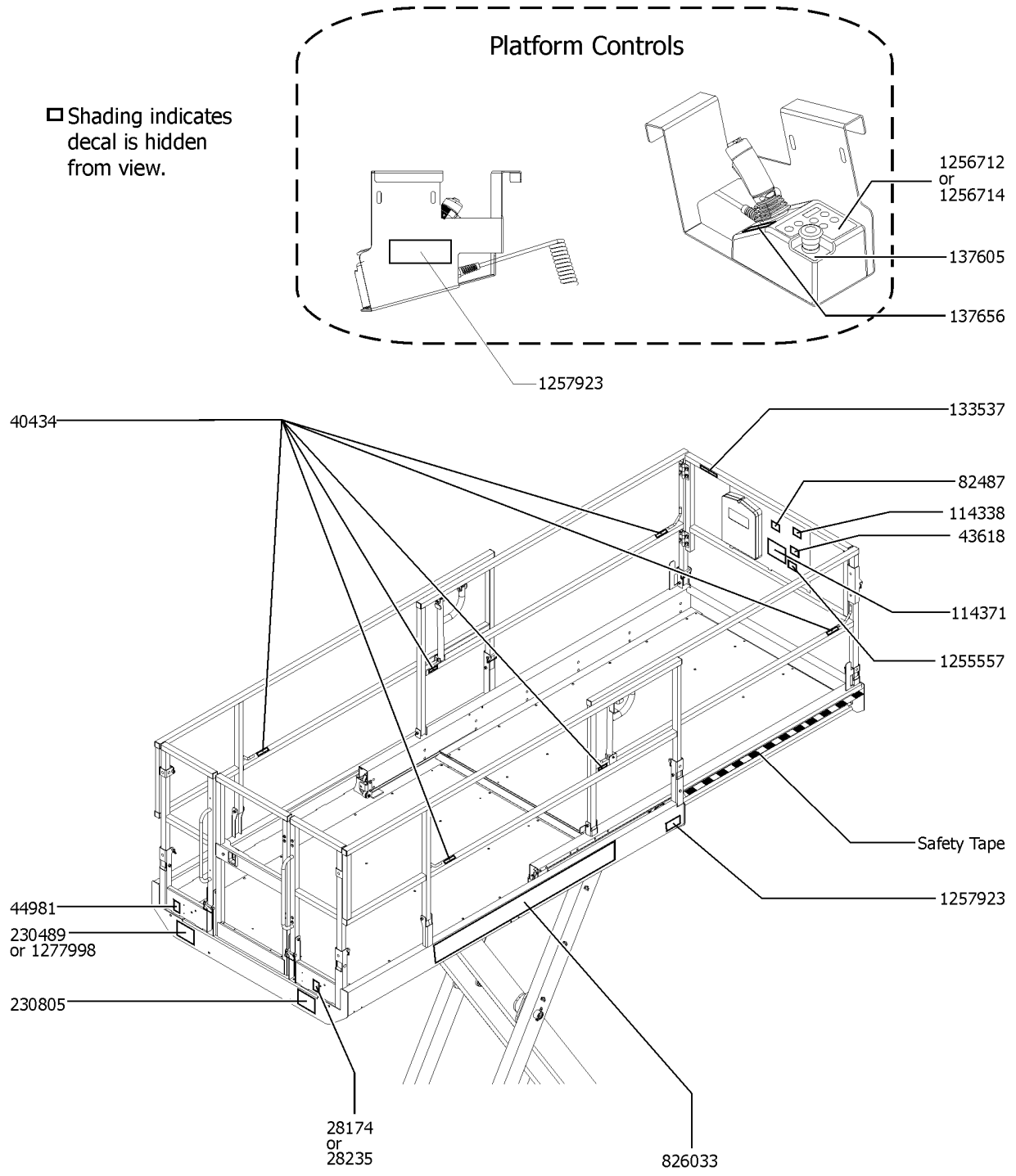


107.1 Decals with Symbols, GS-2669, Platform, ANSI (Asia & South America) (to SN GS69F-17999)

<i>Item</i>	<i>Part No.</i>	<i>Description</i>	<i>Qty.</i>
1	28174GT	DECAL,POWER TO PLATFORM 230V	1
2	28235GT	DECAL,POWER TO PLATFORM 115V	1
3	40434GT	DECAL,LANYARD ANCHORAGE POINT	6
4	43618GT	DECAL,LABEL-DIRECTION ARROWS	1
5	44981GT	DECAL,LABEL,AIRLINE 110 PSI	1
		Option, airline to plat	
6	82487GT	DECAL,SYMBOL-READ THE MANUAL	1
7	114338GT	DECAL,SYM-TIP-OVR,TILT ALARM	1
8	114371GT	DECAL,SYM-TIP-OVER,OUTRGR	1
		(models with outriggers)	
9	133537GT	DECAL,CRUSH HAZ RAILS SYMB	1
10	137605GT	DECAL,E-STOP,GR/GRC/GS PCON	1
11	137656GT	DECAL,PROPEL,GR/GRC/GS,PCON	1
12	230492GT	DECAL,DANGER,SIDE FRC,GS2669	1
13	230809GT	DECAL,NOTICE,MAX CAP GS2669	1
14	826033GT	DECAL,COSMETIC GENIE GS-2669BE	1
15	1255557GT	LABEL,RUNAWAY HAZARD, SLOPE	1
16	1256712GT	DECAL,STD,PROP LIFT,69BE,UI	1
		(models without outriggers)	
17	1256714GT	DECAL,O/R,PROP LIFT,69BE,UI	1
		(models with outriggers)	
18	1257923GT	DECAL, SMARTLINK PROPORTIONAL LIFT IDENTIFIER	2



108.1 Decals with Symbols, GS-2669, Platform, CE (to SN GS69F-17999)



108.1 Decals with Symbols, GS-2669, Platform, CE (to SN GS69F-17999)

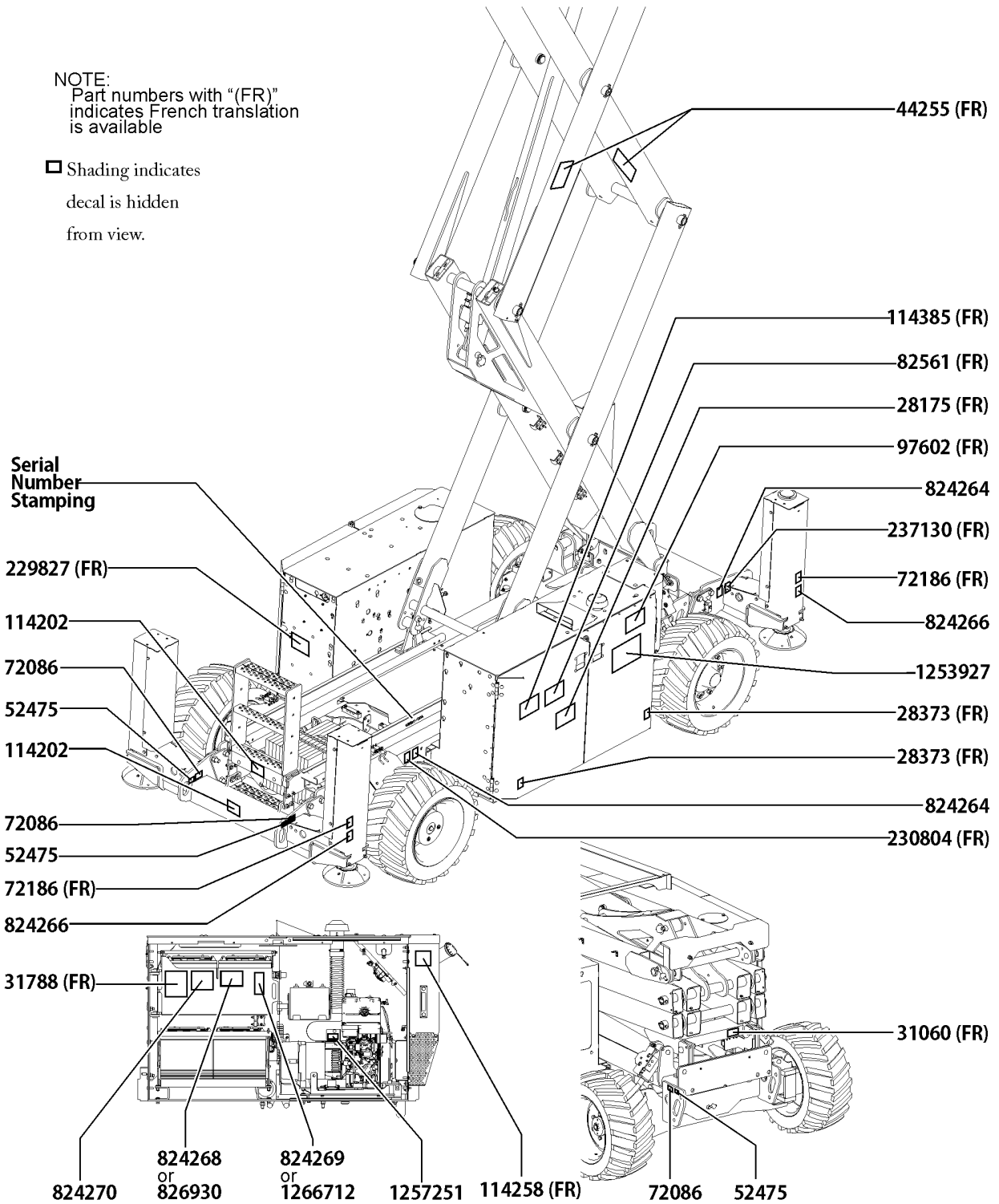
Item	Part No.	Description	Qty.
1	28174GT	DECAL,POWER TO PLATFORM 230V	1
2	28235GT	DECAL,POWER TO PLATFORM 115V	1
3	40434GT	DECAL,LANYARD ANCHORAGE POINT	6
4	43618GT	DECAL,LABEL-DIRECTION ARROWS	1
5	44981GT	DECAL,LABEL,AIRLINE 110 PSI	1
		Option, airline to plat	
6	82487GT	DECAL,SYMBOL-READ THE MANUAL	1
7	114338GT	DECAL,SYM-TIP-OVR,TILT ALARM	1
8	114371GT	DECAL,SYM-TIP-OVER,OUTRGR	1
		(models with outriggers)	
9	133537GT	DECAL,CRUSH HAZ RAILS SYMB	1
10	137605GT	DECAL,E-STOP,GR/GRC/GS PCON	1
11	137656GT	DECAL,PROPEL,GR/GRC/GS,PCON	1
12A	230489GT	DECAL,NOTICE,MAX CAP GS2669	1
		(to SN 11474)	
12B	1277998GT	DECAL,DANGER,MAX CAP/MAN FRC 2669 CE	1
		(from SN 11475)	
13	230805GT	DECAL,DANGER,MAN FRC, GS2669	1
14	826033GT	DECAL,COSMETIC GENIE GS-2669BE	1
15	1255557GT	LABEL,RUNAWAY HAZARD, SLOPE	1
16	1256712GT	DECAL,STD,PROP LIFT,69BE,UI	1
		(models without outriggers)	
17	1256714GT	DECAL,O/R,PROP LIFT,69BE,UI	1
		(models with outriggers)	
18	1257923GT	DECAL, SMARTLINK PROPORTIONAL LIFT IDENTIFIER	2



109.1 Decals with Words, GS-3369, Battery Side (to SN GS69F-17999)

NOTE:
Part numbers with "(FR)"
indicates French translation
is available

☐ Shading indicates
decal is hidden
from view.



109.1 Decals with Words, GS-3369, Battery Side (to SN GS69F-17999)

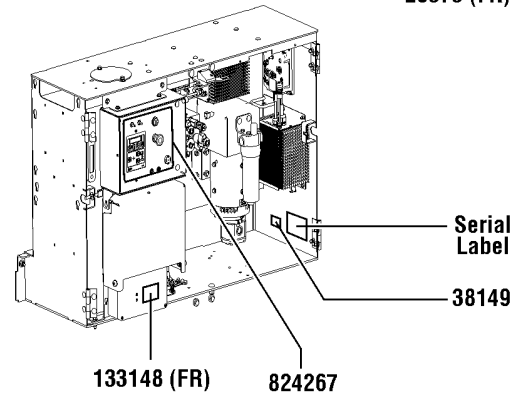
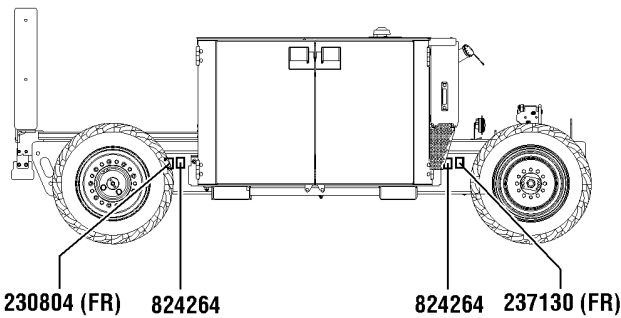
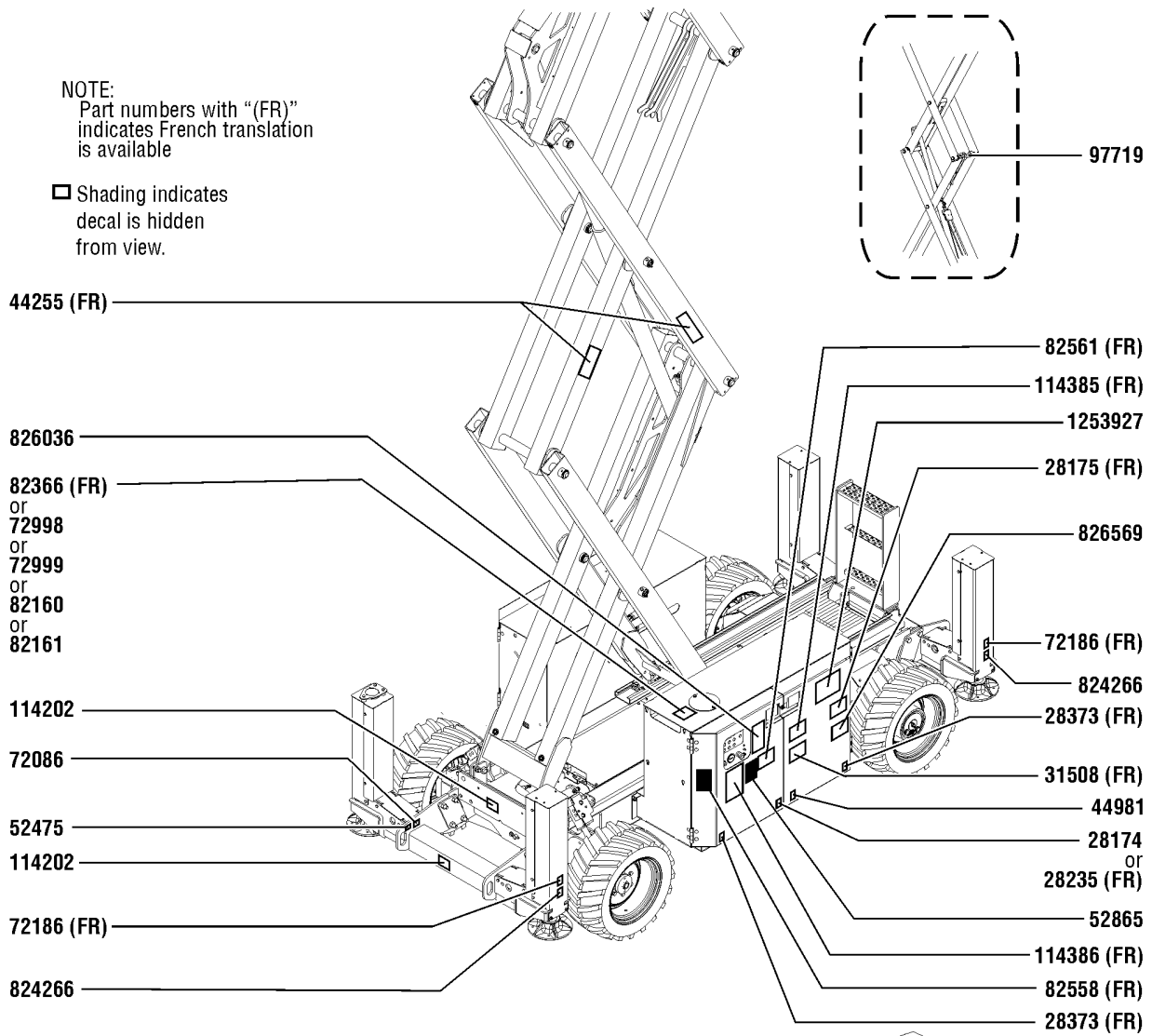
Item	Part No.	Description	Qty.
1	28175GT	DECAL,WARNING-COMPART ACCESS	1
2	28373GT	DECAL,FORK LIFT POCKET	2
3	31060GT	DECAL,DANGER DO NOT ALTER SWTC	1
4	31788GT	DECAL,DANGER,BATTERY SAFETY***	1
5	44255GT	DECAL,DANGER,CRUSHING HAZARD	2
6	52475GT	DECAL,LABEL,TRANSPORT TIEDOWN*	3
7	72086GT	DECAL,LABEL,LIFTING EYE	3
8	72186GT	DECAL,WARNING,CRUSHING HAZARD	2
		(models with outriggers)	
9	82561GT	DECAL,DANGER-USE SAFETY ARM	1
10	97602GT	DECAL,EXPLOSION HAZARD	1
11	114202GT	DECAL,LABEL,TRANSPORT TIE 68	1
12	114258GT	DECAL,DANGER,NO SMOKING	1
13	114385GT	DECAL,DANGER,ELEC HAZARD,GS	1
14	229827GT	DECAL,WARNING,HOT SURFACE	1
15	230804GT	DECAL,NOTICE,TIRE SPECS, REAR	1
		(non-steer end)	
16	237130GT	DECAL,NOTICE,TIRE SPECS, FRONT	1
		(steer end)	
17	824264GT	DECAL,LABEL,WHEEL LD,GS3369BE	2
18	824266GT	DECAL,LABEL,OUTRIGGER LD,BE	2
		(models with outriggers)	
19	824268GT	DECAL,DANGER-TIP-OVR,BE,T145	1
		T145 Batteries	
20A	824269GT	DECAL,KOHLER ENGINE SPEC KD350	1
		ANSI/CSA models (3600rpm)	
20B	1266712GT	DECAL,KOHLER ENG.SPEC,3000RPM	1
		all other models (3000 rpm)	
21	824270GT	DECAL,BATT CONN DIAGRAM,BE	1
		T105 and T145 Batteries	
22	826930GT	DECAL,DANGER-TIP-OVR,BE,T105	1
		T105 Batteries	
23	1253927GT	DECAL,COSMETIC,BI-ENERGY	1
24	1257251GT	DECAL,WARNING,HOT SURFACE	1



110.1 Decals with Words, GS-3369, Controls Side (to SN GS69F-17999)

NOTE:
Part numbers with "(FR)" indicates French translation is available

☐ Shading indicates decal is hidden from view.



110.1 Decals with Words, GS-3369, Controls Side (to SN GS69F-17999)

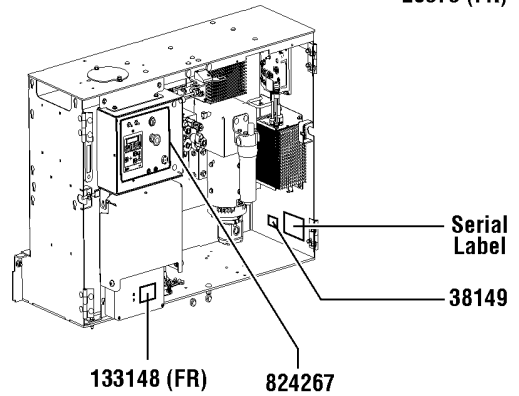
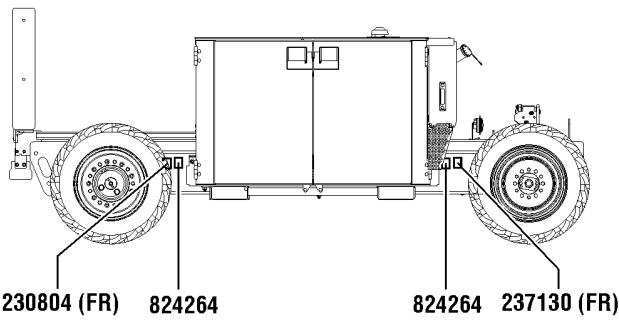
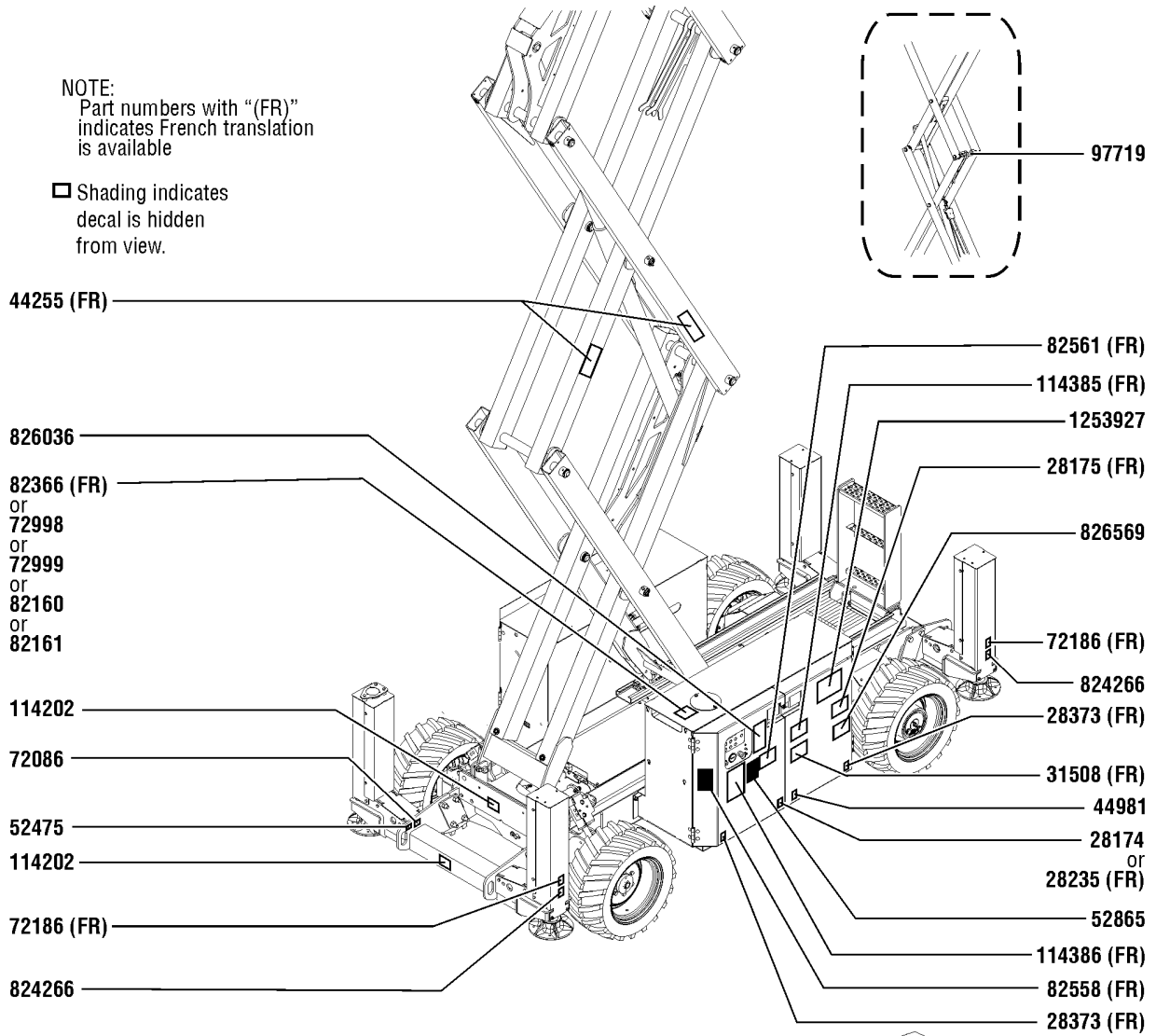
Item	Part No.	Description	Qty.
1	28174GT	DECAL,POWER TO PLATFORM 230V	1
2	28175GT	DECAL,WARNING-COMPART ACCESS	1
3	28235GT	DECAL,POWER TO PLATFORM 115V	1
4	28373GT	DECAL,FORK LIFT POCKET	2
5	31508GT	DECAL,DANGER,ELECT HAZARD,PLUG	1
6	38149GT	DECAL,LABEL,PATENTS	1
		(US only)	
7	44255GT	DECAL,DANGER,CRUSHING HAZARD	2
8	44981GT	DECAL,LABEL,AIRLINE 110 PSI	1
		Option, airline to platform	
9	52475GT	DECAL,LABEL,TRANSPORT TIEDOWN*	1
10	52865GT	DECAL,ANNUAL INSP***	1
		(ANSI only)	
11	72086GT	DECAL,LABEL,LIFTING EYE	1
12	72186GT	DECAL,WARNING,CRUSHING HAZARD	2
		(models with outriggers)	
13	72998GT	DECAL,LABEL,QUINTOLUBRIK	1
		(For models with Quintolub hydraulic oil only)	
14	72999GT	DECAL,LABEL,PETRO CANADA***	1
		(For models with petro canada hydraulic oil only)	
15	82160GT	DECAL,LABEL,STATOIL HYDRA WAY	1
		(For models with Statoil hydraulic oil only)	
16	82161GT	DECAL,LABEL,UCON HYDROLUBE	1
		(For models with Ucon Hydrolube hydraulic oil only)	
17	82366GT	DECAL,CHEVRON RANDO HD	1
		(For models with chevron rando hydraulic oil only)	
18	82558GT	DECAL,SKIN INJECTION	1
19	82561GT	DECAL,DANGER-USE SAFETY ARM	1
20	97719GT	DECAL, LABEL, SAFETY ARM SYMB	1
21	114202GT	DECAL,LABEL,TRANSPORT TIE 68	1
22	114385GT	DECAL,DANGER,ELEC HAZARD,GS	1
23	114386GT	DECAL,DANGER-GEN SAFETY	1
24	133148GT	DECAL,DANGER,HAZARD VOLTAGE	1
25	230804GT	DECAL,NOTICE,TIRE SPECS, REAR	1
		(non-steer end)	
26	237130GT	DECAL,NOTICE,TIRE SPECS, FRONT	1
		(steer end)	
27	824264GT	DECAL,LABEL,WHEEL LD,GS3369BE	2
28	824266GT	DECAL,LABEL,OUTRIGGER LD,BE	2
		(models with outriggers)	



110.1 Decals with Words, GS-3369, Controls Side (to SN GS69F-17999)

NOTE:
Part numbers with "(FR)" indicates French translation is available

☐ Shading indicates decal is hidden from view.



110.1 Decals with Words, GS-3369, Controls Side (to SN GS69F-17999)

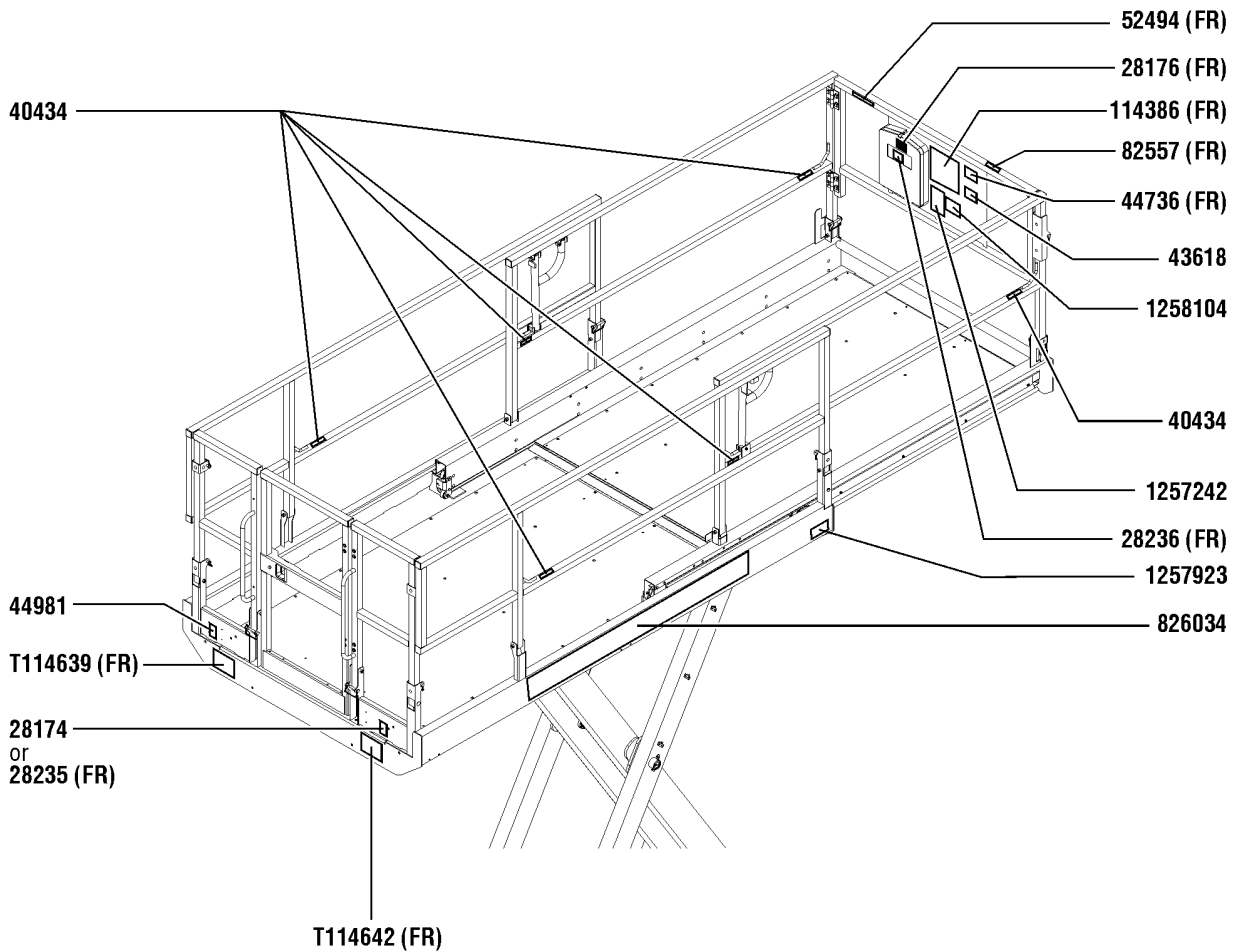
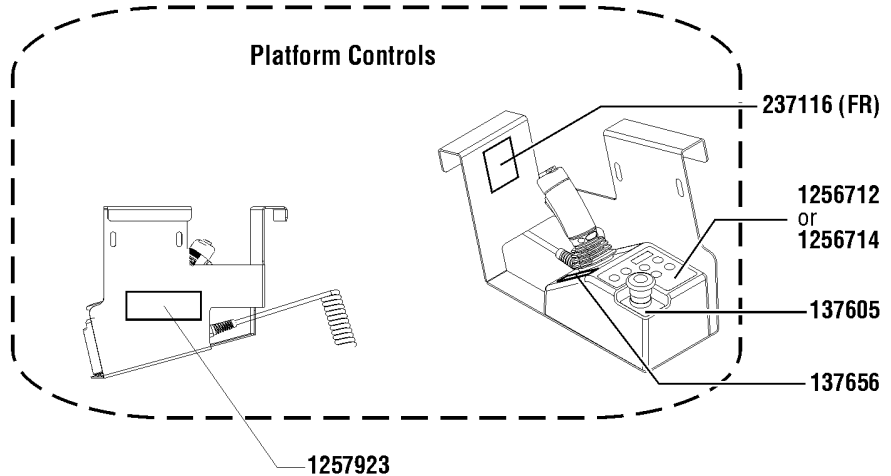
<i>Item</i>	<i>Part No.</i>	<i>Description</i>	<i>Qty.</i>
29	824267GT	DECAL, GROUND CONTROL PANEL,	1
30	826036GT	DECAL,GRND OPS INSTRUCT,GS69BE	1
31	826569GT	DECAL,INSTRUCTIONS-CHARGER OP	1
32	1253927GT	DECAL,COSMETIC,BI-ENERGY	1



111.1 Decals with Words, GS-3369, Platform, ANSI & CSA (to SN GS69F-17999)

NOTE:
Part numbers with "(FR)" indicates French translation is available

☐ Shading indicates decal is hidden from view.



111.1 Decals with Words, GS-3369, Platform, ANSI & CSA (to SN GS69F-17999)

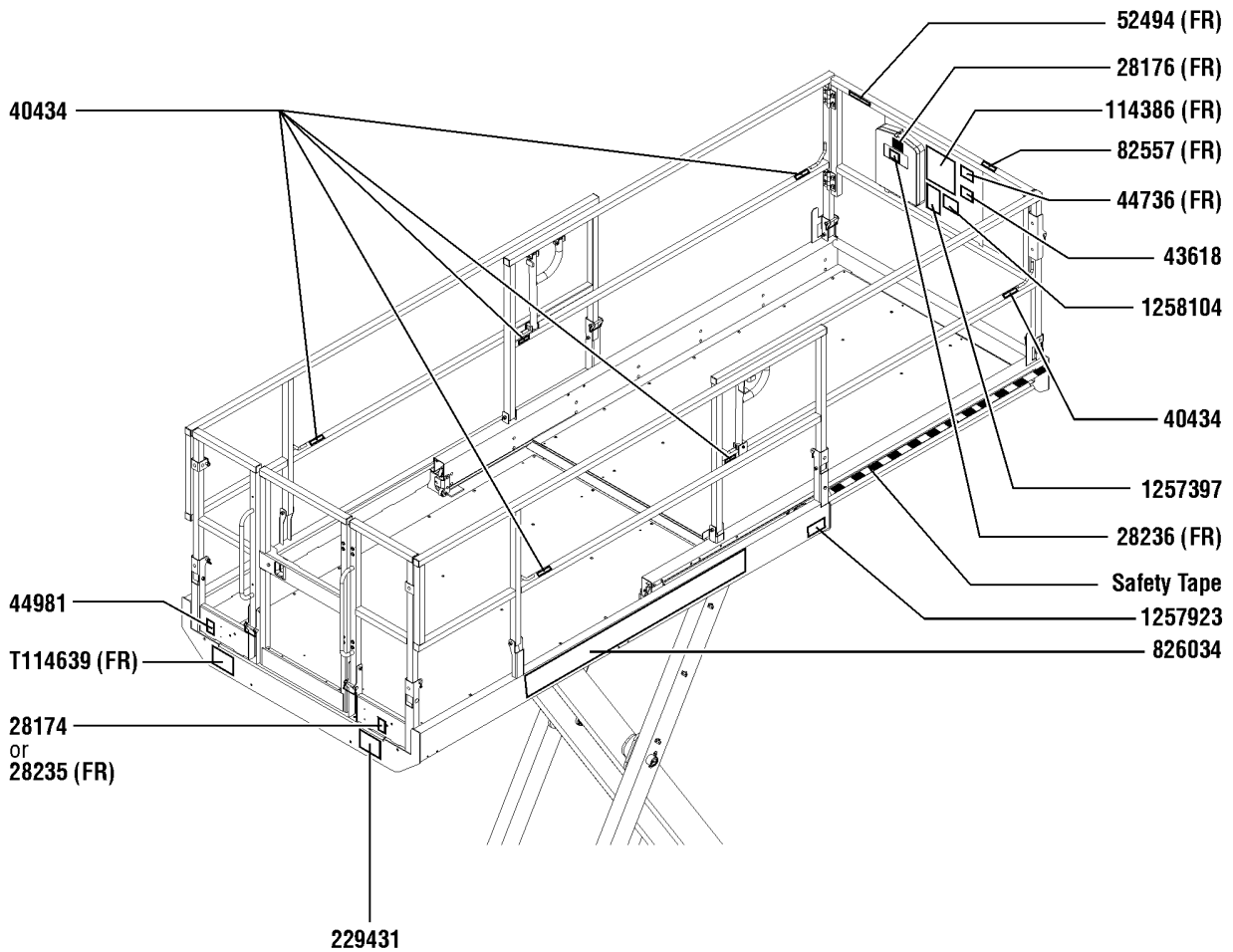
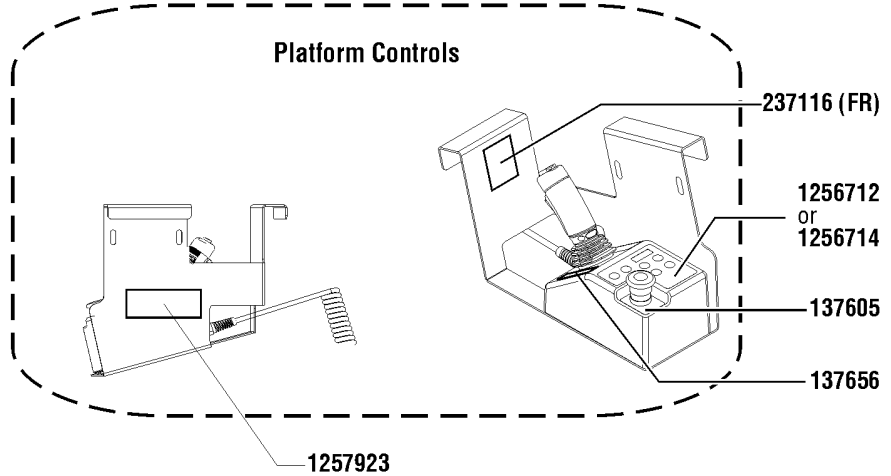
Item	Part No.	Description	Qty.
1	28174GT	DECAL,POWER TO PLATFORM 230V	1
2	28176GT	DECAL,LABEL,MANUAL NOT HERE	1
3	28235GT	DECAL,POWER TO PLATFORM 115V	1
4	28236GT	DECAL,WARN,IMPROPER OPERATION	1
5	40434GT	DECAL,LANYARD ANCHORAGE POINT	6
6	43618GT	DECAL,LABEL-DIRECTION ARROWS	1
7	44736GT	DECAL,DANGER,TIP-OVER,TILT	1
8	44981GT	DECAL,LABEL,AIRLINE 110 PSI	1
		Option, airline to platform	
9	52494GT	DECAL,CAUTION,CRUSH HAZ, RAILS	1
10	82557GT	DECAL,LABEL,PLAT CONT LOCATION	1
11	114386GT	DECAL,DANGER-GEN SAFETY	1
12	137605GT	DECAL,E-STOP,GR/GRC/GS PCON	1
13	137656GT	DECAL,PROPEL,GR/GRC/GS,PCON	1
14	237116GT	DECAL,LABEL,FAULT CODES,69DC	1
15	826034GT	DECAL,COSMETIC GENIE GS-3369BE	1
16	T114639GT	DECAL,NOTICE,MAX CAP,GS3369	1
17	T114642GT	DECAL,NOTICE,SIDE FRC,3369 ANS	1
18	1256712GT	DECAL,STD,PROP LIFT,69BE,UI	1
		(models without outriggers)	
19	1256714GT	DECAL,O/R,PROP LIFT,69BE,UI	1
		(models with outriggers)	
20	1257242GT	DECAL,NOTICE,OP,INST,PLAT,69BE	1
21	1257923GT	DECAL, SMARTLINK PROPORTIONAL LIFT IDENTIFIER	2
22	1258104GT	DECAL,DANGER,OUTRIGGER SAFETY	1
		(models with outriggers)	



112.1 Decals with Words, GS-3369, Platform, AUS (to SN GS69F-17999)

NOTE:
Part numbers with "(FR)" indicates French translation is available

☐ Shading indicates decal is hidden from view.

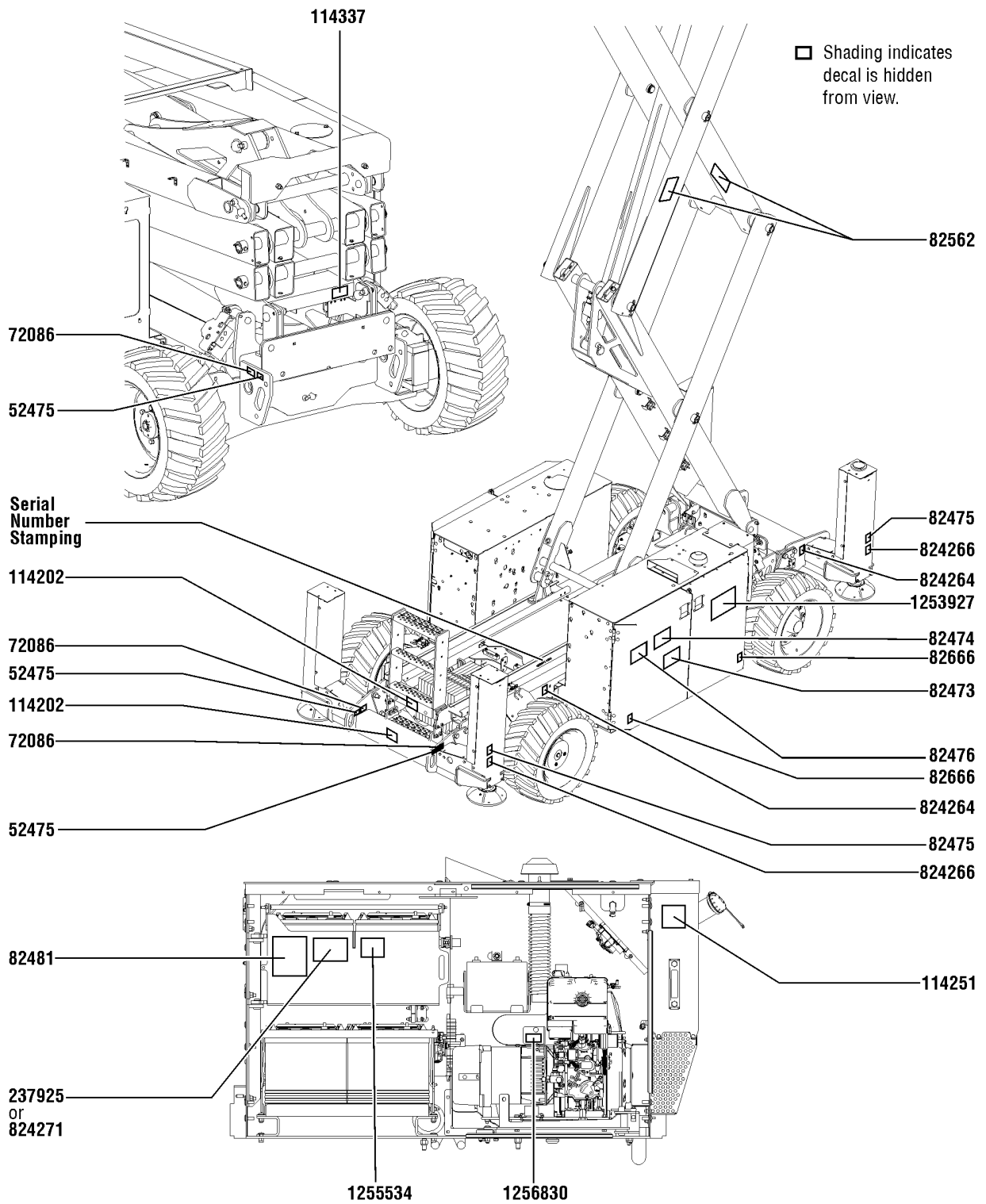


112.1 Decals with Words, GS-3369, Platform, AUS (to SN GS69F-17999)

Item	Part No.	Description	Qty.
1	28174GT	DECAL,POWER TO PLATFORM 230V	1
2	28176GT	DECAL,LABEL,MANUAL NOT HERE	1
3	28235GT	DECAL,POWER TO PLATFORM 115V	1
4	28236GT	DECAL,WARN,IMPROPER OPERATION	1
5	40434GT	DECAL,LANYARD ANCHORAGE POINT	6
6	43618GT	DECAL,LABEL-DIRECTION ARROWS	1
7	44736GT	DECAL,DANGER,TIP-OVER,TILT	1
8	44981GT	DECAL,LABEL,AIRLINE 110 PSI	1
		Option, airline to platform	
9	52494GT	DECAL,CAUTION,CRUSH HAZ, RAILS	1
10	82557GT	DECAL,LABEL,PLAT CONT LOCATION	1
11	114386GT	DECAL,DANGER-GEN SAFETY	1
12	137605GT	DECAL,E-STOP,GR/GRC/GS PCON	1
13	137656GT	DECAL,PROPEL,GR/GRC/GS,PCON	1
14	229431GT	DECAL,NOTICE,MAN FRC,3369 AUS	1
15	237116GT	DECAL,LABEL,FAULT CODES,69DC	1
16	826034GT	DECAL,COSMETIC GENIE GS-3369BE	1
17	T114639GT	DECAL,NOTICE,MAX CAP,GS3369	1
18	1256712GT	DECAL,STD,PROP LIFT,69BE,UI	1
		(models without outriggers)	
19	1256714GT	DECAL,O/R,PROP LIFT,69BE,UI	1
		(models with outriggers)	
20	1257397GT	DECAL,OP,INSTR,PLAT,69BE,AUS	1
21	1257923GT	DECAL, SMARTLINK PROPORTIONAL LIFT IDENTIFIER	2
22	1258104GT	DECAL,DANGER,OUTRIGGER SAFETY	1
		(models with outriggers)	



113.1 Decals with Symbols, GS-3369, Battery Side (to SN GS69F-17999)



113.1 Decals with Symbols, GS-3369, Battery Side (to SN GS69F-17999)

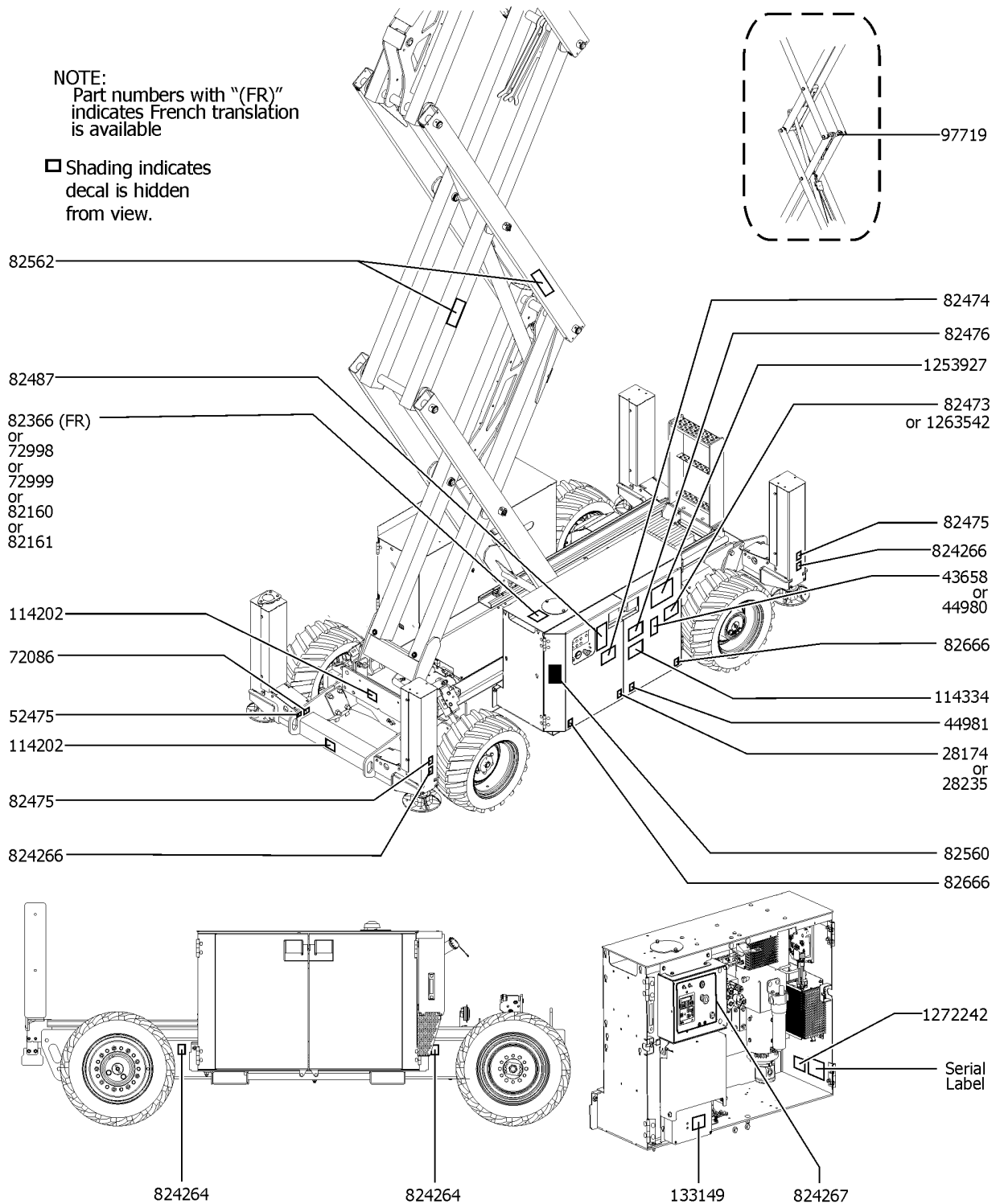
Item	Part No.	Description	Qty.
1	52475GT	DECAL,LABEL,TRANSPORT TIEDOWN*	3
2	72086GT	DECAL,LABEL,LIFTING EYE	3
3	82473GT	DECAL,SYMBOL-COMP ACCESS	1
4	82474GT	DECAL,SYMBOL-USE SAFETY ARM	1
5	82475GT	DECAL,SYMBOL-FOOT CRUSHING	2
		(models with outriggers)	
6	82476GT	DECAL,SYMBOL-ELEC HAZARD,GS	1
7	82481GT	DECAL,SYMBOL-BATTERY SAFETY	1
8	82562GT	DECAL,SYMBOL-CRUSHING HAZARD	2
9	82666GT	DECAL,LABEL,FORKLIFT POCKET	2
10	114202GT	DECAL,LABEL,TRANSPORT TIE 68	1
11	114251GT	DECAL,LABEL,NO SMOKING,SYMB	1
12	114337GT	DECAL,SYM-TIP-OVR,LIM SWITCH	1
13	237925GT	DECAL,DNGR-TIP-OVR,BATT,J305CE	1
		For T105 Batteries	
14	824264GT	DECAL,LABEL,WHEEL LD,GS3369BE	2
15	824266GT	DECAL,LABEL,OUTRIGGER LD,BE	2
		(models with outriggers)	
16	824271GT	DECAL,DNGR-TIP-OVR,BATT,T145CE	1
		For T145 Batteries	
17	1253927GT	DECAL,COSMETIC,BI-ENERGY	1
18	1255534GT	DECAL,LABEL,103 DB	1
		(CE only)	
19	1256830GT	DECAL,WARNING,HOT SURFACE	1



114.1 Decals with Symbols, GS-3369, Controls Side (to SN GS69F-17999)

NOTE:
Part numbers with "(FR)" indicates French translation is available

☐ Shading indicates decal is hidden from view.



114.1 Decals with Symbols, GS-3369, Controls Side (to SN GS69F-17999)

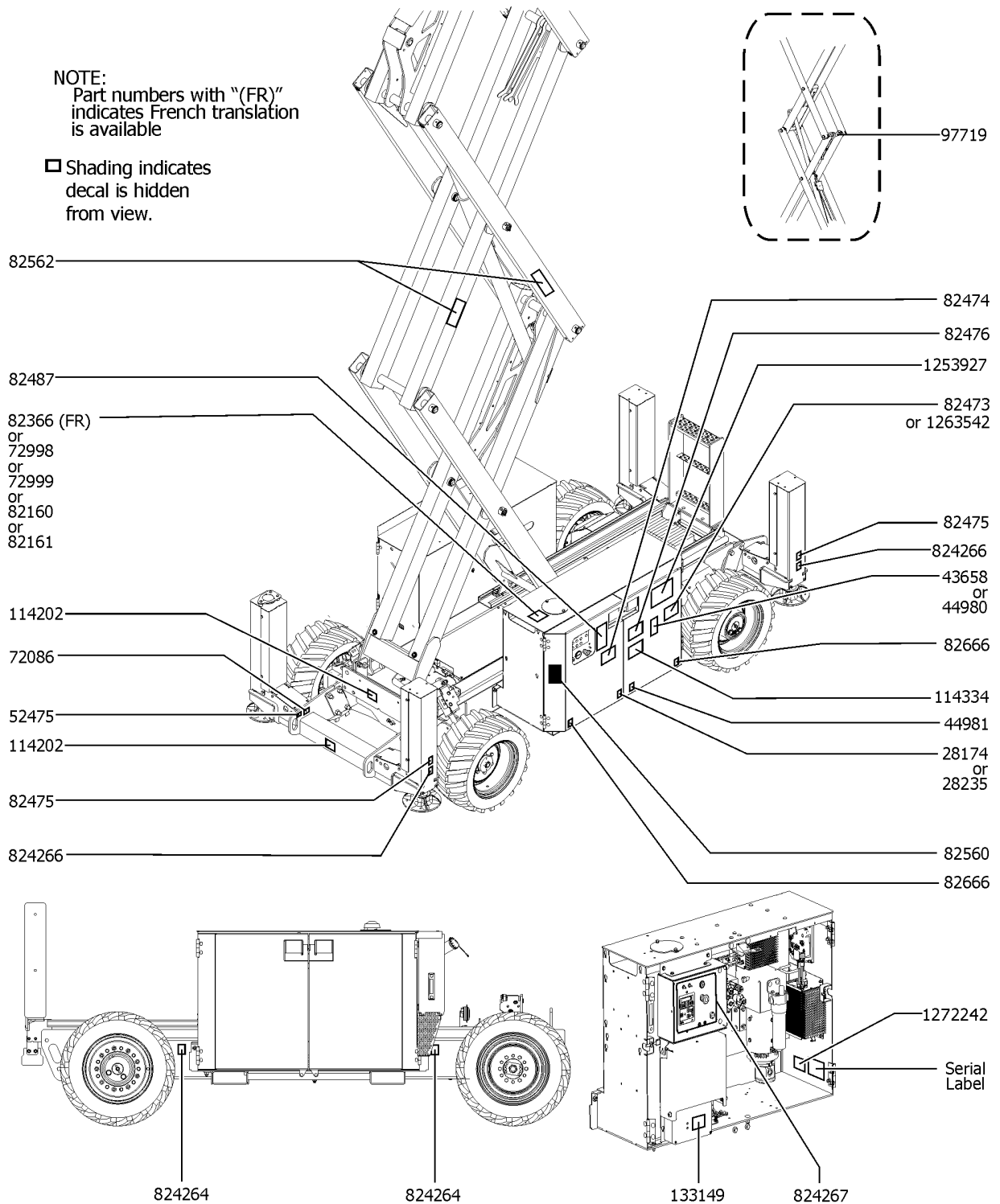
Item	Part No.	Description	Qty.
1	28174GT	DECAL,POWER TO PLATFORM 230V	1
2	28235GT	DECAL,POWER TO PLATFORM 115V	1
3	43658GT	DECAL, LABEL, PWR TO CHARGER 230 EU	1
4	44980GT	DECAL, LABEL, PWR TO CHARGER 115 UK	1
5	44981GT	DECAL,LABEL,AIRLINE 110 PSI	1
		Option, airline to plat	
6	52475GT	DECAL,LABEL,TRANSPORT TIEDOWN*	1
7	72086GT	DECAL,LABEL,LIFTING EYE	1
8	72998GT	DECAL,LABEL,QUINTOLUBRIK	1
		(For models with Quintolub hydraulic oil only)	
9	72999GT	DECAL,LABEL,PETRO CANADA***	1
		(For models with petro canada hydraulic oil only)	
10	82160GT	DECAL,LABEL,STATOIL HYDRA WAY	1
		(For models with Statoil hydraulic oil only)	
11	82161GT	DECAL,LABEL,UCON HYDROLUBE	1
		(For models with Ucon Hydrolube hydraulic oil only)	
12	82366GT	DECAL,CHEVRON RANDO HD	1
		(For models with chevron rando hydraulic oil only)	
13A	82473GT	DECAL,SYMBOL-COMP ACCESS	1
		(to 11474)	
13B	1263542GT	DECAL, COMPARTMENT ACCESS	1
		(from 11475)	
14	82474GT	DECAL,SYMBOL-USE SAFETY ARM	1
15	82475GT	DECAL,SYMBOL-FOOT CRUSHING	2
		(models with outriggers)	
16	82476GT	DECAL,SYMBOL-ELEC HAZARD,GS	1
17	82487GT	DECAL,SYMBOL-READ THE MANUAL	1
18	82560GT	DECAL,SYMBOL-SKIN INJECT HAZRD	1
19	82562GT	DECAL,SYMBOL-CRUSHING HAZARD	2
20	82666GT	DECAL,LABEL,FORKLIFT POCKET	2
21	97719GT	DECAL, LABEL, SAFETY ARM SYMB	1
22	114202GT	DECAL,LABEL,TRANSPORT TIE 68	1
23	114334GT	DECAL SYMBOL ELECTRIC HAZARD PLUG	1
24	133149GT	DECAL,LABEL-ELEC HAZ,SERV MAN	1
25	824264GT	DECAL,LABEL,WHEEL LD,GS3369BE	2
26	824266GT	DECAL,LABEL,OUTRIGGER LD,BE	2
		(models with outriggers)	
27	824267GT	DECAL, GROUND CONTROL PANEL,	1



114.1 Decals with Symbols, GS-3369, Controls Side (to SN GS69F-17999)

NOTE:
Part numbers with "(FR)"
indicates French translation
is available

☐ Shading indicates
decal is hidden
from view.

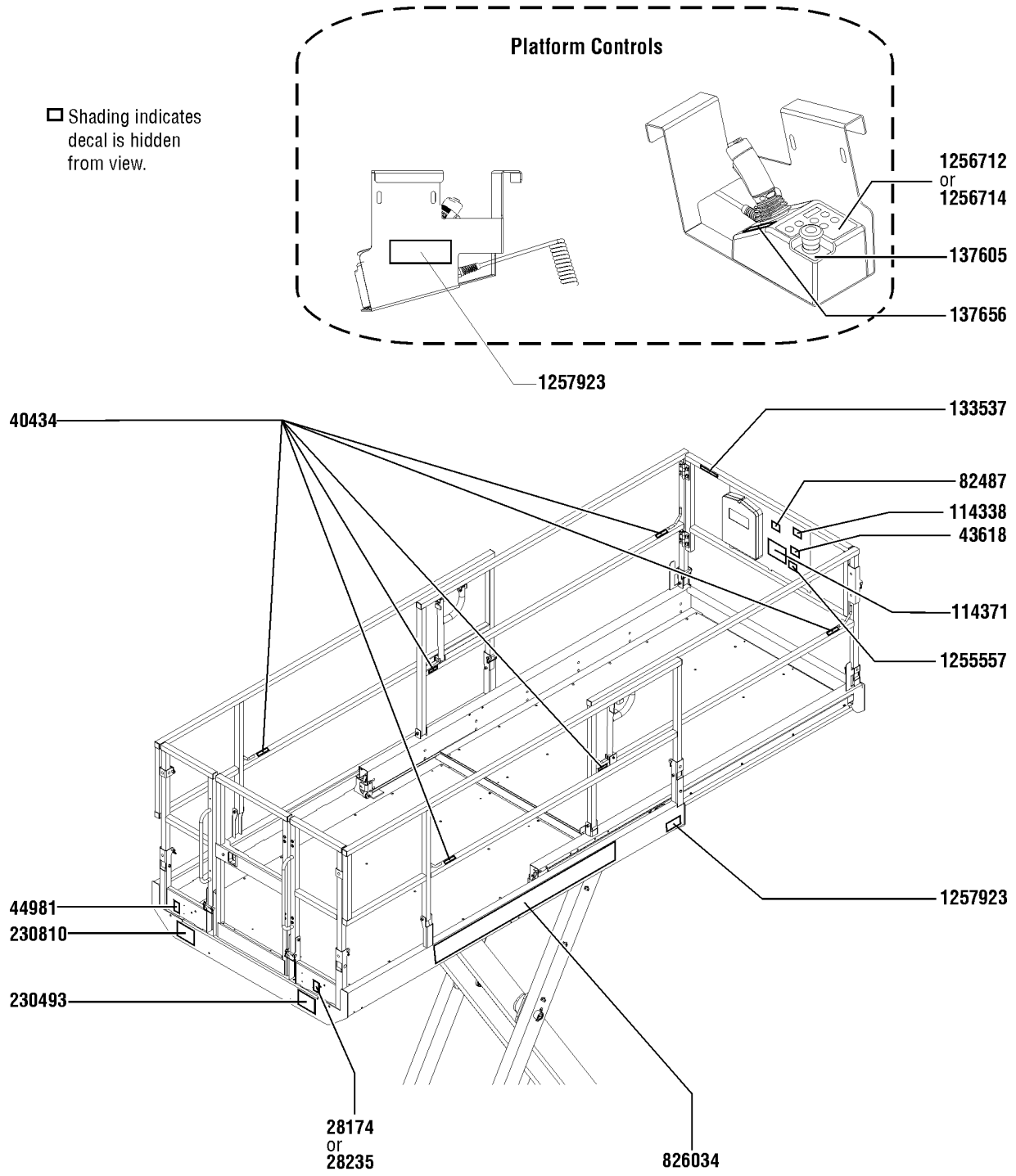


114.1 Decals with Symbols, GS-3369, Controls Side (to SN GS69F-17999)

<i>Item</i>	<i>Part No.</i>	<i>Description</i>	<i>Qty.</i>
28	1253927GT	DECAL,COSMETIC,BI-ENERGY	1
29	1272242GT	DECAL,MACHINE REGISTRATION/OWN	1



115.1 Decals with Symbols, GS-3369, Platform, Asia & South America (to SN GS69F-17999)

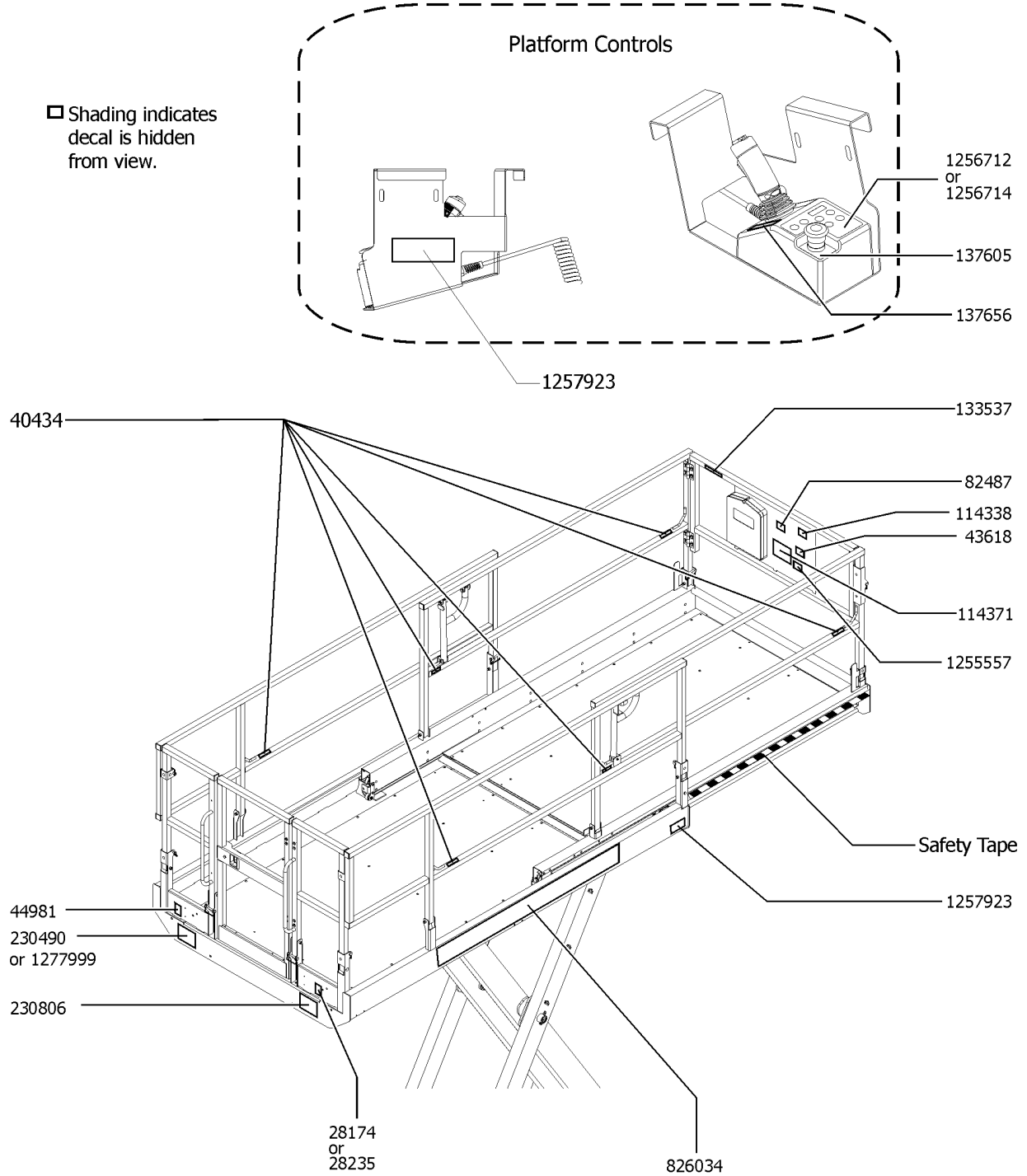


115.1 Decals with Symbols, GS-3369, Platform, Asia & South America (to SN GS69F-17999)

<i>Item</i>	<i>Part No.</i>	<i>Description</i>	<i>Qty.</i>
1	28174GT	DECAL,POWER TO PLATFORM 230V	1
2	28235GT	DECAL,POWER TO PLATFORM 115V	1
3	40434GT	DECAL,LANYARD ANCHORAGE POINT	6
4	43618GT	DECAL,LABEL-DIRECTION ARROWS	1
5	44981GT	DECAL,LABEL,AIRLINE 110 PSI	1
		Option, airline to plat	
6	82487GT	DECAL,SYMBOL-READ THE MANUAL	1
7	114338GT	DECAL,SYM-TIP-OVR,TILT ALARM	1
8	114371GT	DECAL,SYM-TIP-OVER,OUTRGR	1
		(models with outriggers)	
9	133537GT	DECAL,CRUSH HAZ RAILS SYMB	1
10	137605GT	DECAL,E-STOP,GR/GRC/GS PCON	1
11	137656GT	DECAL,PROPEL,GR/GRC/GS,PCON	1
12	230493GT	DECAL,DANGER,SIDE FRC,GS3369	1
13	230810GT	DECAL,NOTICE,MAX CAP GS3369	1
14	826034GT	DECAL,COSMETIC GENIE GS-3369BE	1
15	1255557GT	LABEL,RUNAWAY HAZARD, SLOPE	1
16	1256712GT	DECAL,STD,PROP LIFT,69BE,UI	1
		(models without outriggers)	
17	1256714GT	DECAL,O/R,PROP LIFT,69BE,UI	1
		(models with outriggers)	
18	1257923GT	DECAL, SMARTLINK PROPORTIONAL LIFT IDENTIFIER	2



116.1 Decals with Symbols, GS-3369, Platform, CE (to SN GS69F-17999)



116.1 Decals with Symbols, GS-3369, Platform, CE (to SN GS69F-17999)

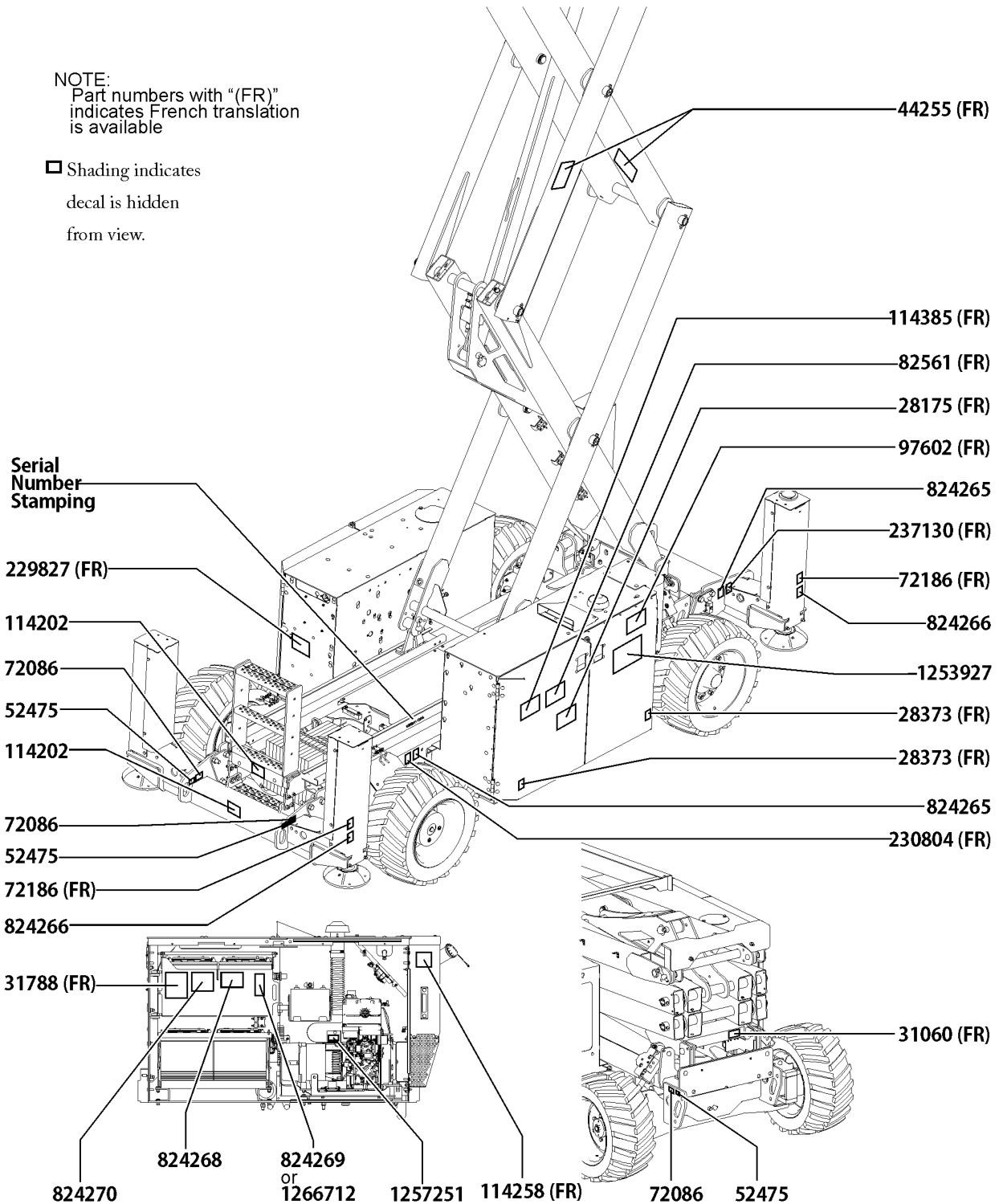
Item	Part No.	Description	Qty.
1	28174GT	DECAL,POWER TO PLATFORM 230V	1
2	28235GT	DECAL,POWER TO PLATFORM 115V	1
3	40434GT	DECAL,LANYARD ANCHORAGE POINT	6
4	43618GT	DECAL,LABEL-DIRECTION ARROWS	1
5	44981GT	DECAL,LABEL,AIRLINE 110 PSI	1
		Option, airline to plat	
6	82487GT	DECAL,SYMBOL-READ THE MANUAL	1
7	114338GT	DECAL,SYM-TIP-OVR,TILT ALARM	1
8	114371GT	DECAL,SYM-TIP-OVER,OUTRGR	1
		(models with outriggers)	
9	133537GT	DECAL,CRUSH HAZ RAILS SYMB	1
10	137605GT	DECAL,E-STOP,GR/GRC/GS PCON	1
11	137656GT	DECAL,PROPEL,GR/GRC/GS,PCON	1
12A	230490GT	DECAL,NOTICE,MAX CAP GS3369	1
		(to SN 11474)	
12B	1277999GT	DECAL,DANGER,MAX CAP/MAN FRC 3369 CE	1
		(from SN 11475)	
13	230806GT	DECAL,DANGER,MAN FRC, GS3369	1
14	826034GT	DECAL,COSMETIC GENIE GS-3369BE	1
15	1255557GT	LABEL,RUNAWAY HAZARD, SLOPE	1
16	1256712GT	DECAL,STD,PROP LIFT,69BE,UI	1
		(models without outriggers)	
17	1256714GT	DECAL,O/R,PROP LIFT,69BE,UI	1
		(models with outriggers)	
18	1257923GT	DECAL, SMARTLINK PROPORTIONAL LIFT IDENTIFIER	2



117.1 Decals with Words, GS-4069, Battery Side (to SN GS69F-17999)

NOTE:
Part numbers with "(FR)"
indicates French translation
is available

☐ Shading indicates
decal is hidden
from view.



117.1 Decals with Words, GS-4069, Battery Side (to SN GS69F-17999)

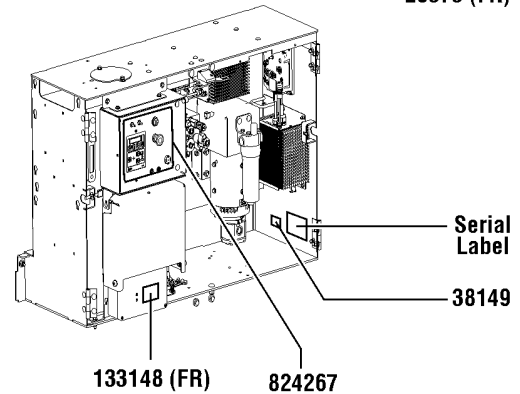
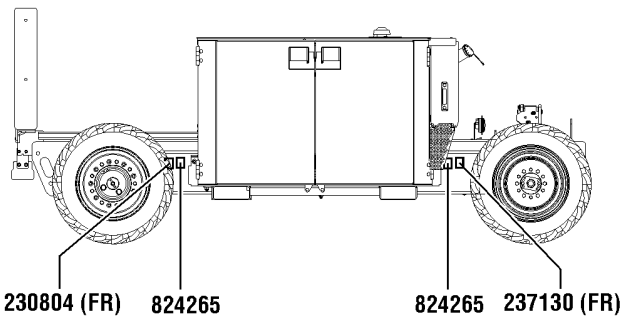
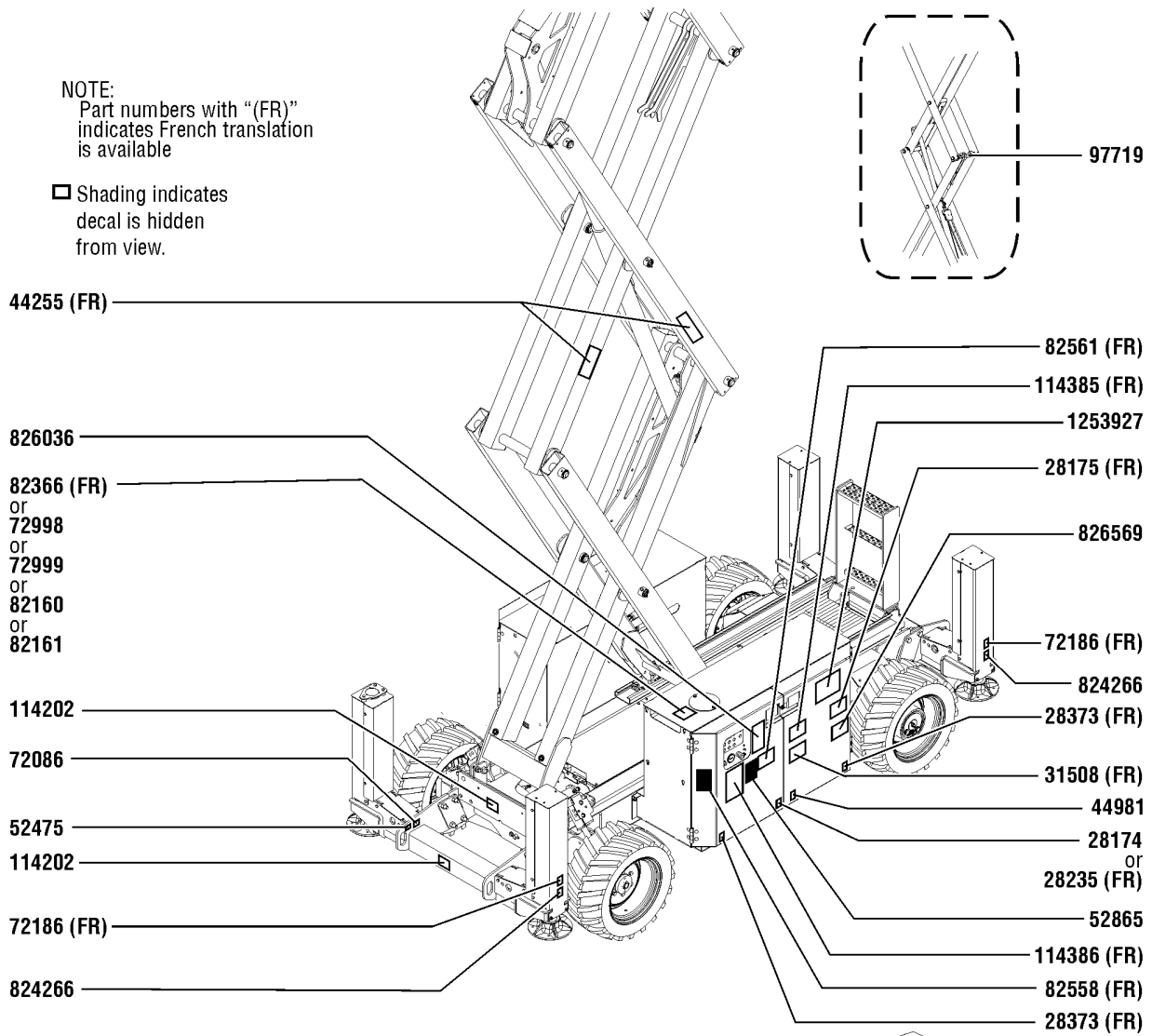
Item	Part No.	Description	Qty.
		w	
1	28175GT	DECAL,WARNING-COMPART ACCESS	1
2	28373GT	DECAL,FORK LIFT POCKET	2
3	31060GT	DECAL,DANGER DO NOT ALTER SWTC	1
4	31788GT	DECAL,DANGER,BATTERY SAFETY***	1
5	44255GT	DECAL,DANGER,CRUSHING HAZARD	2
6	52475GT	DECAL,LABEL,TRANSPORT TIEDOWN*	3
7	72086GT	DECAL,LABEL,LIFTING EYE	3
8	72186GT	DECAL,WARNING,CRUSHING HAZARD (models with outriggers)	2
9	82561GT	DECAL,DANGER-USE SAFETY ARM	1
10	97602GT	DECAL,EXPLOSION HAZARD	1
11	114202GT	DECAL,LABEL,TRANSPORT TIE 68	1
12	114258GT	DECAL,DANGER,NO SMOKING	1
13	114385GT	DECAL,DANGER,ELEC HAZARD,GS	1
14	229827GT	DECAL,WARNING,HOT SURFACE	1
15	230804GT	DECAL,NOTICE,TIRE SPECS, REAR (non-steer end)	1
16	237130GT	DECAL,NOTICE,TIRE SPECS, FRONT (steer end)	1
17	824265GT	DECAL,LABEL,WHEEL LD,GS4069BE	2
18	824266GT	DECAL,LABEL,OUTRIGGER LD,BE (models with outriggers)	2
19	824268GT	DECAL,DANGER-TIP-OVR,BE,T145 T145 Batteries	1
20A	824269GT	DECAL,KOHLER ENGINE SPEC KD350 ANSI/CSA models (3600rpm)	1
20B	1266712GT	DECAL,KOHLER ENG.SPEC,3000RPM all other models (3000 rpm)	1
21	824270GT	DECAL,BATT CONN DIAGRAM,BE	1
22	1253927GT	DECAL,COSMETIC,BI-ENERGY	1
23	1257251GT	DECAL,WARNING,HOT SURFACE	1



118.1 Decals with Words, GS-4069, Controls Side (to SN GS69F-17999)

NOTE:
Part numbers with "(FR)" indicates French translation is available

☐ Shading indicates decal is hidden from view.



118.1 Decals with Words, GS-4069, Controls Side (to SN GS69F-17999)

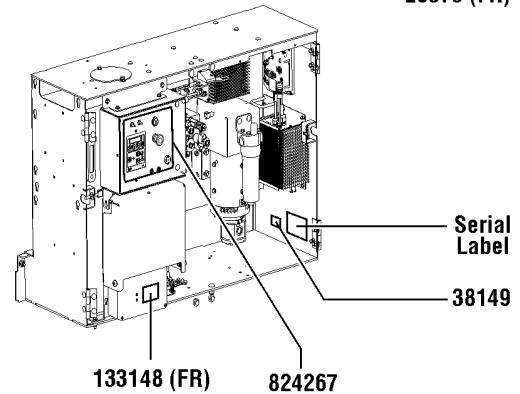
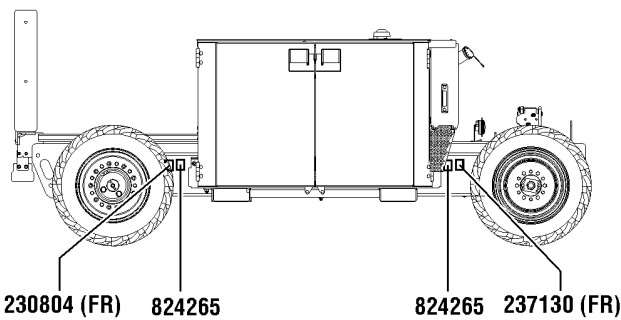
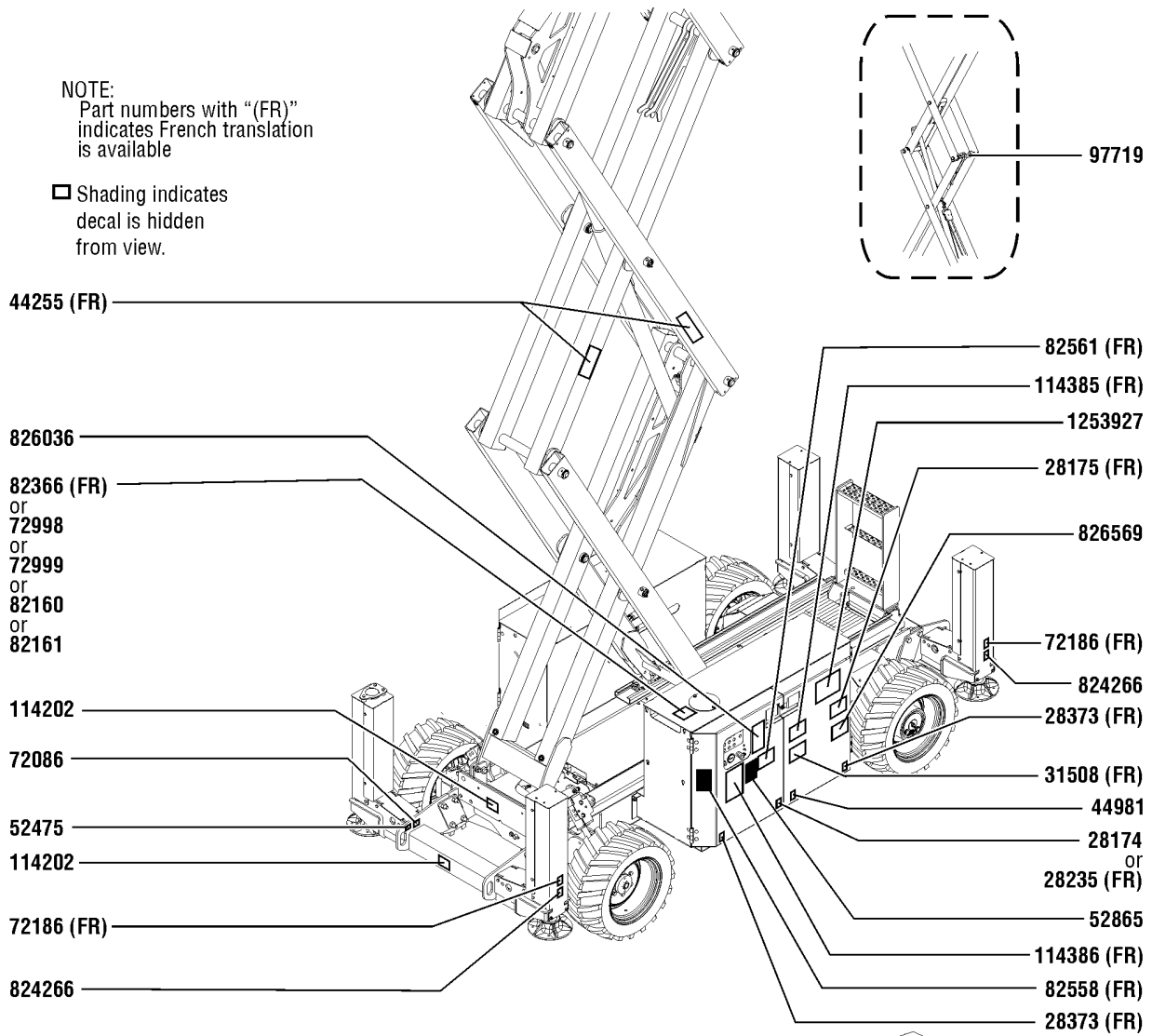
Item	Part No.	Description	Qty.
1	28174GT	DECAL,POWER TO PLATFORM 230V	1
2	28175GT	DECAL,WARNING-COMPART ACCESS	1
3	28235GT	DECAL,POWER TO PLATFORM 115V	1
4	28373GT	DECAL,FORK LIFT POCKET	2
5	31508GT	DECAL,DANGER,ELECT HAZARD,PLUG	1
6	38149GT	DECAL,LABEL,PATENTS	1
		(US only)	
7	44255GT	DECAL,DANGER,CRUSHING HAZARD	2
8	44981GT	DECAL,LABEL,AIRLINE 110 PSI	1
		Option, airline to platform	
9	52475GT	DECAL,LABEL,TRANSPORT TIEDOWN*	1
10	52865GT	DECAL,ANNUAL INSP***	1
		(ANSI only)	
11	72086GT	DECAL,LABEL,LIFTING EYE	1
12	72186GT	DECAL,WARNING,CRUSHING HAZARD	2
		(models with outriggers)	
13	72998GT	DECAL,LABEL,QUINTOLUBRIK	1
		(For models with Quintolub hydraulic oil only)	
14	72999GT	DECAL,LABEL,PETRO CANADA***	1
		(For models with petro canada hydraulic oil only)	
15	82160GT	DECAL,LABEL,STATOIL HYDRA WAY	1
		(For models with Statoil hydraulic oil only)	
16	82161GT	DECAL,LABEL,UCON HYDROLUBE	1
		(For models with Ucon Hydrolube hydraulic oil only)	
17	82366GT	DECAL,CHEVRON RANDO HD	1
		(For models with chevron rando hydraulic oil only)	
18	82558GT	DECAL,SKIN INJECTION	1
19	82561GT	DECAL,DANGER-USE SAFETY ARM	1
20	97719GT	DECAL, LABEL, SAFETY ARM SYMB	1
21	114202GT	DECAL,LABEL,TRANSPORT TIE 68	1
22	114385GT	DECAL,DANGER,ELEC HAZARD,GS	1
23	114386GT	DECAL,DANGER-GEN SAFETY	1
24	133148GT	DECAL,DANGER,HAZARD VOLTAGE	1
25	230804GT	DECAL,NOTICE,TIRE SPECS, REAR	1
		(non-steer end)	
26	237130GT	DECAL,NOTICE,TIRE SPECS, FRONT	1
		(steer end)	
27	824265GT	DECAL,LABEL,WHEEL LD,GS4069BE	2
28	824266GT	DECAL,LABEL,OUTRIGGER LD,BE	2
		(models with outriggers)	



118.1 Decals with Words, GS-4069, Controls Side (to SN GS69F-17999)

NOTE:
Part numbers with "(FR)" indicates French translation is available

☐ Shading indicates decal is hidden from view.



118.1 Decals with Words, GS-4069, Controls Side (to SN GS69F-17999)

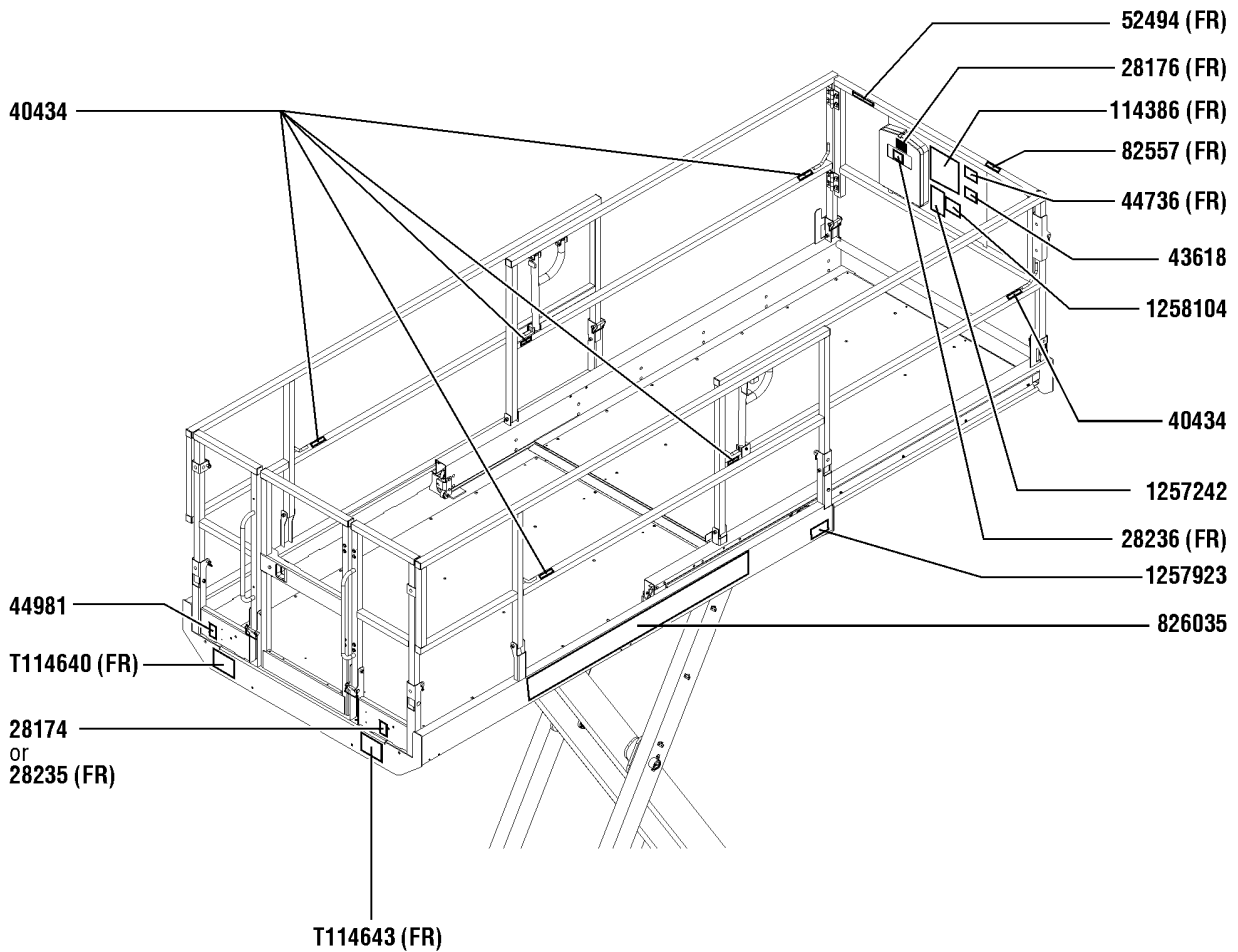
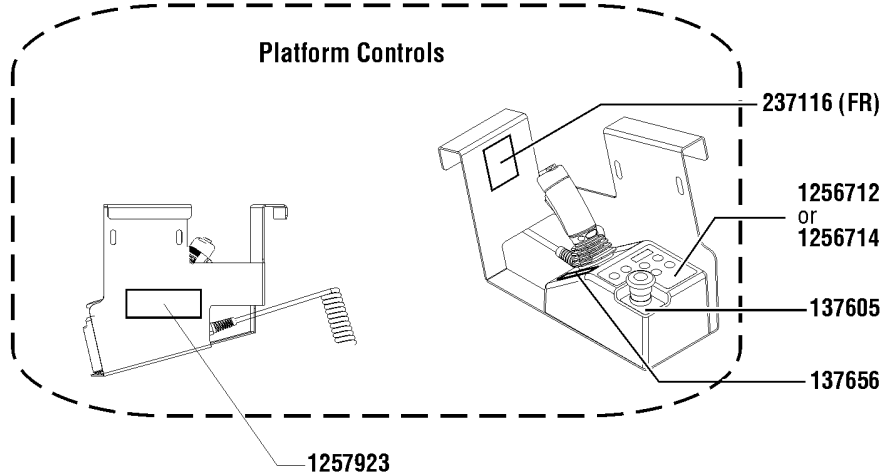
<i>Item</i>	<i>Part No.</i>	<i>Description</i>	<i>Qty.</i>
29	824267GT	DECAL, GROUND CONTROL PANEL,	1
30	826036GT	DECAL,GRND OPS INSTRUCT,GS69BE	1
31	826569GT	DECAL,INSTRUCTIONS-CHARGER OP	1
32	1253927GT	DECAL,COSMETIC,BI-ENERGY	1



119.1 Decals with Words, GS-4069, Platform, ANSI & CSA (to SN GS69F-17999)

NOTE:
Part numbers with "(FR)" indicates French translation is available

☐ Shading indicates decal is hidden from view.



119.1 Decals with Words, GS-4069, Platform, ANSI & CSA (to SN GS69F-17999)

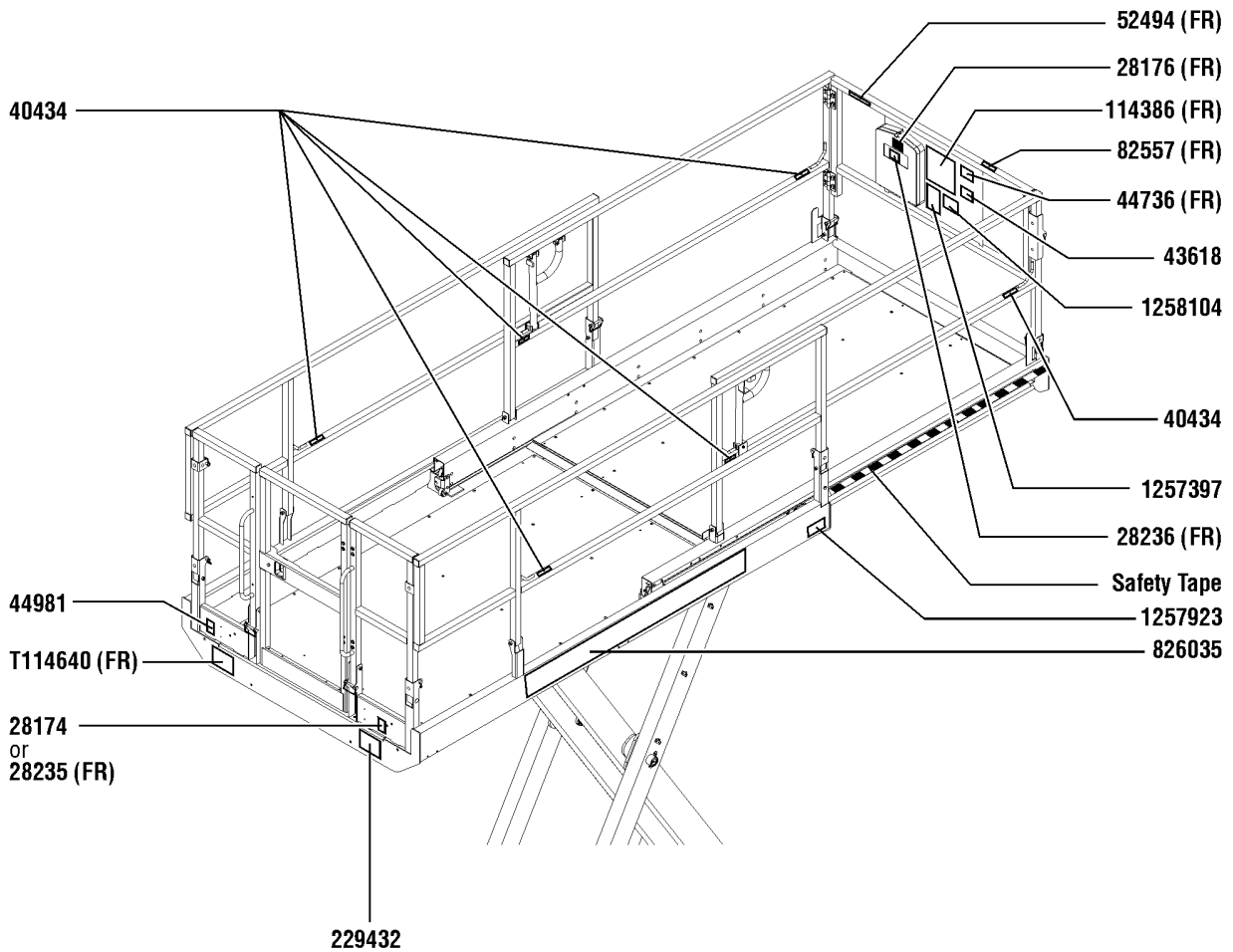
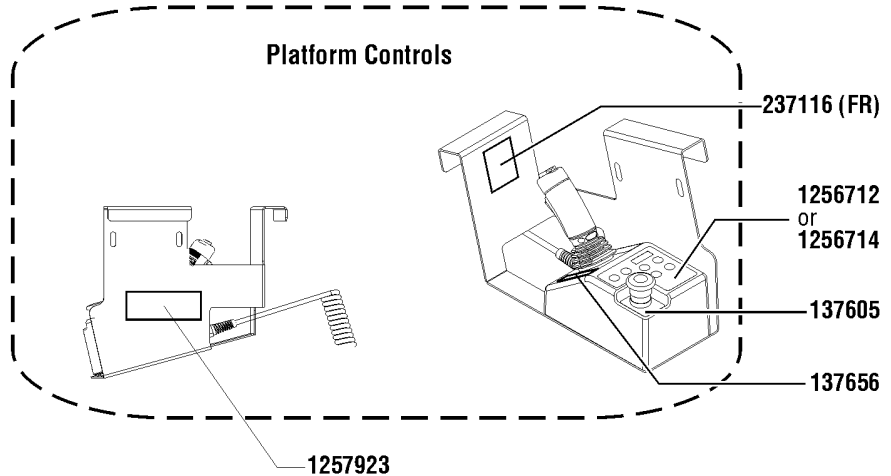
Item	Part No.	Description	Qty.
1	28174GT	DECAL,POWER TO PLATFORM 230V	1
2	28176GT	DECAL,LABEL,MANUAL NOT HERE	1
3	28235GT	DECAL,POWER TO PLATFORM 115V	1
4	28236GT	DECAL,WARN,IMPROPER OPERATION	1
5	40434GT	DECAL,LANYARD ANCHORAGE POINT	6
6	43618GT	DECAL,LABEL-DIRECTION ARROWS	1
7	44736GT	DECAL,DANGER,TIP-OVER,TILT	1
8	44981GT	DECAL,LABEL,AIRLINE 110 PSI	1
		Option, airline to platform	
9	52494GT	DECAL,CAUTION,CRUSH HAZ, RAILS	1
10	82557GT	DECAL,LABEL,PLAT CONT LOCATION	1
11	114386GT	DECAL,DANGER-GEN SAFETY	1
12	137605GT	DECAL,E-STOP,GR/GRC/GS PCON	1
13	137656GT	DECAL,PROPEL,GR/GRC/GS,PCON	1
14	237116GT	DECAL,LABEL,FAULT CODES,69DC	1
15	826035GT	DECAL COSMETIC,GS4069BE	1
16	T114640GT	DECAL,NOTICE,MAX CAP GS4069	1
17	T114643GT	DECAL,NOTICE,SIDE FRC,4069 ANS	1
18	1256712GT	DECAL,STD,PROP LIFT,69BE,UI	1
		(models without outriggers)	
19	1256714GT	DECAL,O/R,PROP LIFT,69BE,UI	1
		(models with outriggers)	
20	1257242GT	DECAL,NOTICE,OP,INST,PLAT,69BE	1
21	1257923GT	DECAL, SMARTLINK PROPORTIONAL LIFT IDENTIFIER	2
22	1258104GT	DECAL,DANGER,OUTRIGGER SAFETY	1
		(models with outriggers)	



120.1 Decals with Words, GS-4069, Platform, AUS (to SN GS69F-17999)

NOTE:
Part numbers with "(FR)" indicates French translation is available

☐ Shading indicates decal is hidden from view.

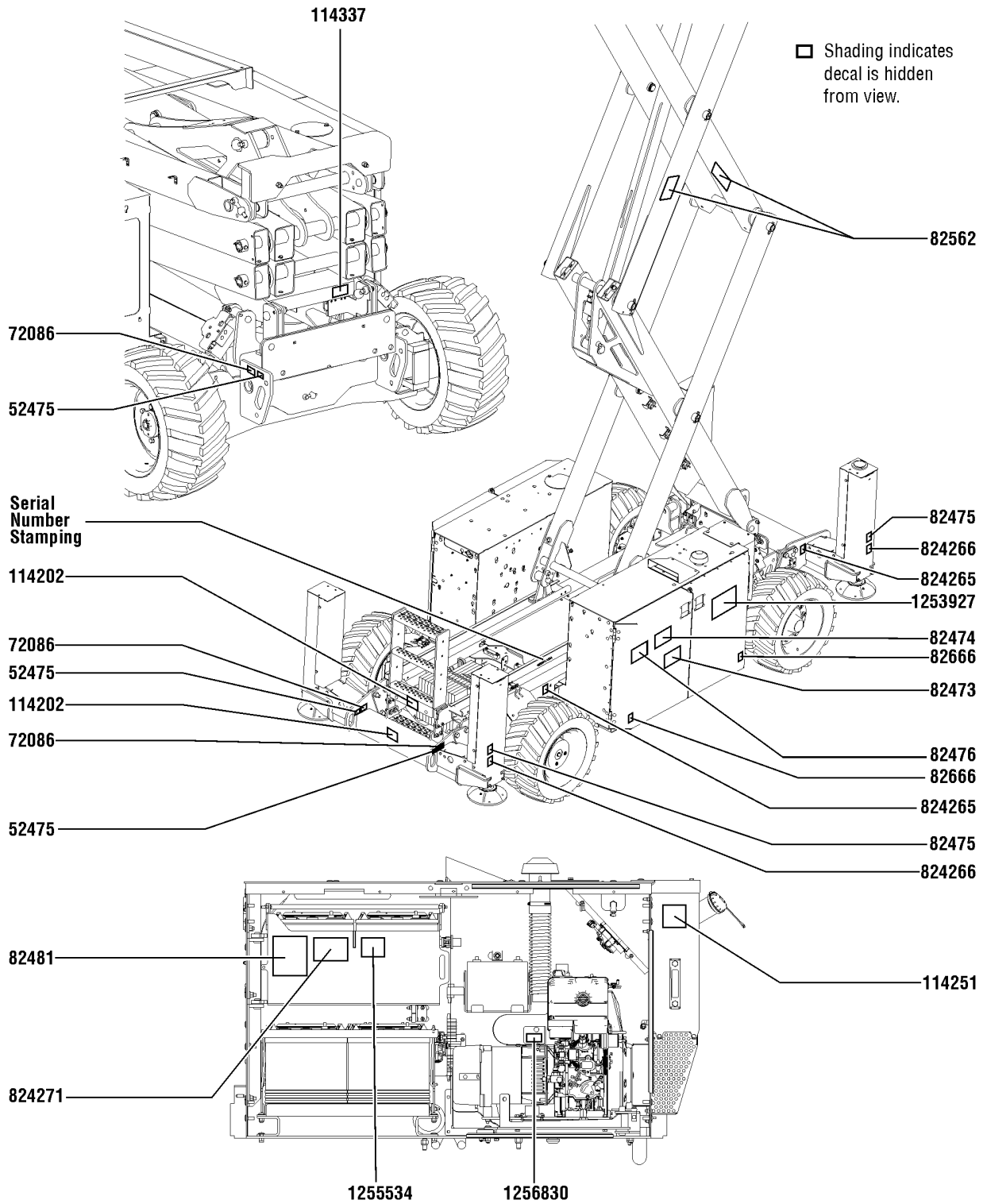


120.1 Decals with Words, GS-4069, Platform, AUS (to SN GS69F-17999)

Item	Part No.	Description	Qty.
1	28174GT	DECAL,POWER TO PLATFORM 230V	1
2	28176GT	DECAL,LABEL,MANUAL NOT HERE	1
3	28235GT	DECAL,POWER TO PLATFORM 115V	1
4	28236GT	DECAL,WARN,IMPROPER OPERATION	1
5	40434GT	DECAL,LANYARD ANCHORAGE POINT	6
6	43618GT	DECAL,LABEL-DIRECTION ARROWS	1
7	44736GT	DECAL,DANGER,TIP-OVER,TILT	1
8	44981GT	DECAL,LABEL,AIRLINE 110 PSI	1
		Option, airline to platform	
9	52494GT	DECAL,CAUTION,CRUSH HAZ, RAILS	1
10	82557GT	DECAL,LABEL,PLAT CONT LOCATION	1
11	114386GT	DECAL,DANGER-GEN SAFETY	1
12	137605GT	DECAL,E-STOP,GR/GRC/GS PCON	1
13	137656GT	DECAL,PROPEL,GR/GRC/GS,PCON	1
14	229432GT	DECAL,NOTICE,MAN FRC,4069	1
15	237116GT	DECAL,LABEL,FAULT CODES,69DC	1
16	826035GT	DECAL COSMETIC,GS4069BE	1
17	T114640GT	DECAL,NOTICE,MAX CAP GS4069	1
18	1256712GT	DECAL,STD,PROP LIFT,69BE,UI	1
		(models without outriggers)	
19	1256714GT	DECAL,O/R,PROP LIFT,69BE,UI	1
		(models with outriggers)	
20	1257397GT	DECAL,OP,INSTR,PLAT,69BE,AUS	1
21	1257923GT	DECAL, SMARTLINK PROPORTIONAL LIFT IDENTIFIER	2
22	1258104GT	DECAL,DANGER,OUTRIGGER SAFETY	1
		(models with outriggers)	



121.1 Decals with Symbols, GS-4069, Battery Side (to SN GS69F-17999)



121.1 Decals with Symbols, GS-4069, Battery Side (to SN GS69F-17999)

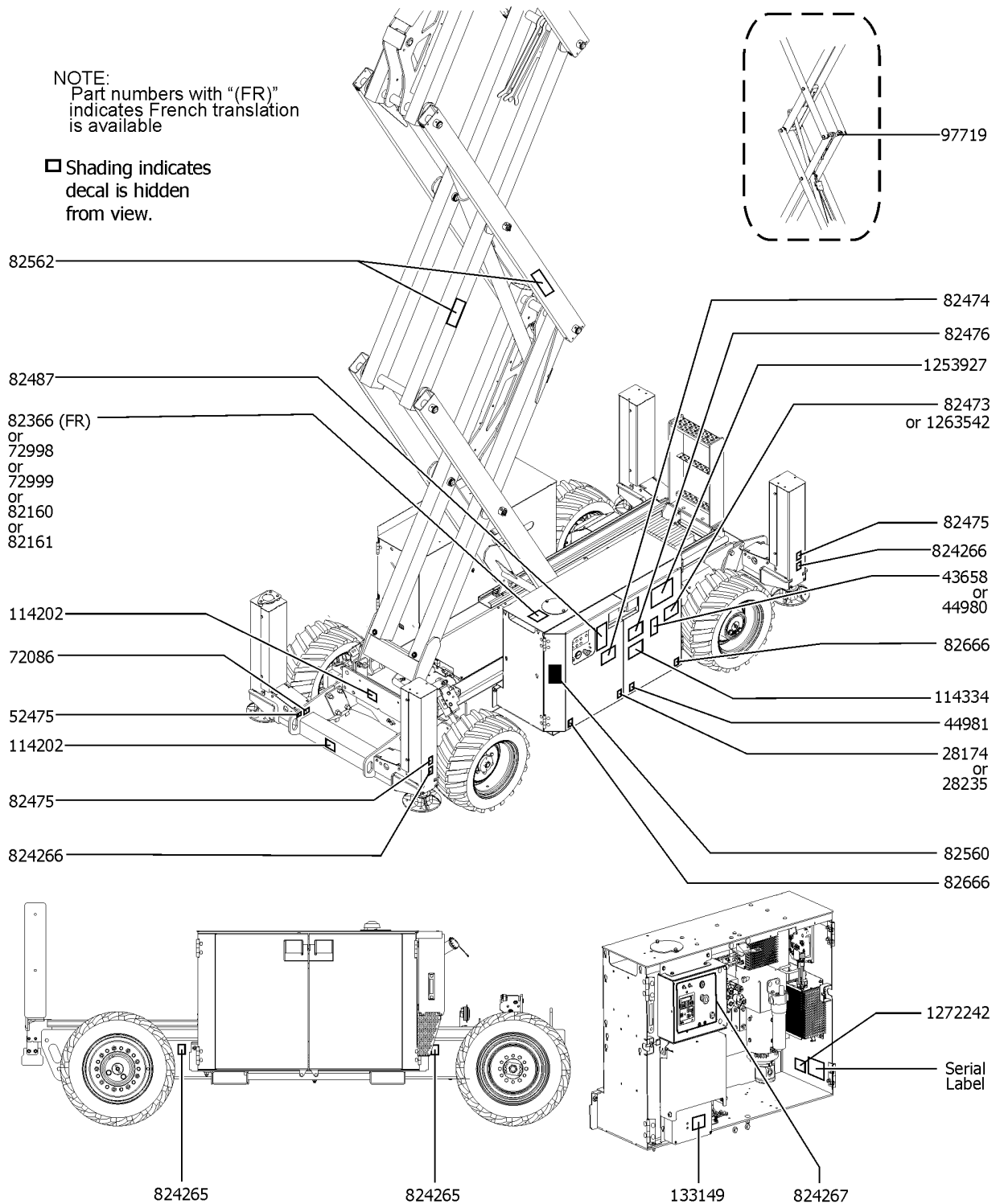
Item	Part No.	Description	Qty.
1	52475GT	DECAL,LABEL,TRANSPORT TIEDOWN*	3
2	72086GT	DECAL,LABEL,LIFTING EYE	3
3	82473GT	DECAL,SYMBOL-COMP ACCESS	1
4	82474GT	DECAL,SYMBOL-USE SAFETY ARM	1
5	82475GT	DECAL,SYMBOL-FOOT CRUSHING	2
		(models with outriggers)	
6	82476GT	DECAL,SYMBOL-ELEC HAZARD,GS	1
7	82481GT	DECAL,SYMBOL-BATTERY SAFETY	1
8	82562GT	DECAL,SYMBOL-CRUSHING HAZARD	2
9	82666GT	DECAL,LABEL,FORKLIFT POCKET	2
10	114202GT	DECAL,LABEL,TRANSPORT TIE 68	1
11	114251GT	DECAL,LABEL,NO SMOKING,SYMB	1
12	114337GT	DECAL,SYM-TIP-OVR,LIM SWITCH	1
13	824265GT	DECAL,LABEL,WHEEL LD,GS4069BE	2
14	824266GT	DECAL,LABEL,OUTRIGGER LD,BE	2
		(models with outriggers)	
15	824271GT	DECAL,DNGR-TIP-OVR,BATT,T145CE	1
		For T145 Batteries	
16	1253927GT	DECAL,COSMETIC,BI-ENERGY	1
17	1255534GT	DECAL,LABEL,103 DB	1
		(CE only)	
18	1256830GT	DECAL,WARNING,HOT SURFACE	1



122.1 Decals with Symbols, GS-4069, Controls Side (to SN GS69F-17999)

NOTE:
Part numbers with "(FR)" indicates French translation is available

☐ Shading indicates decal is hidden from view.



122.1 Decals with Symbols, GS-4069, Controls Side (to SN GS69F-17999)

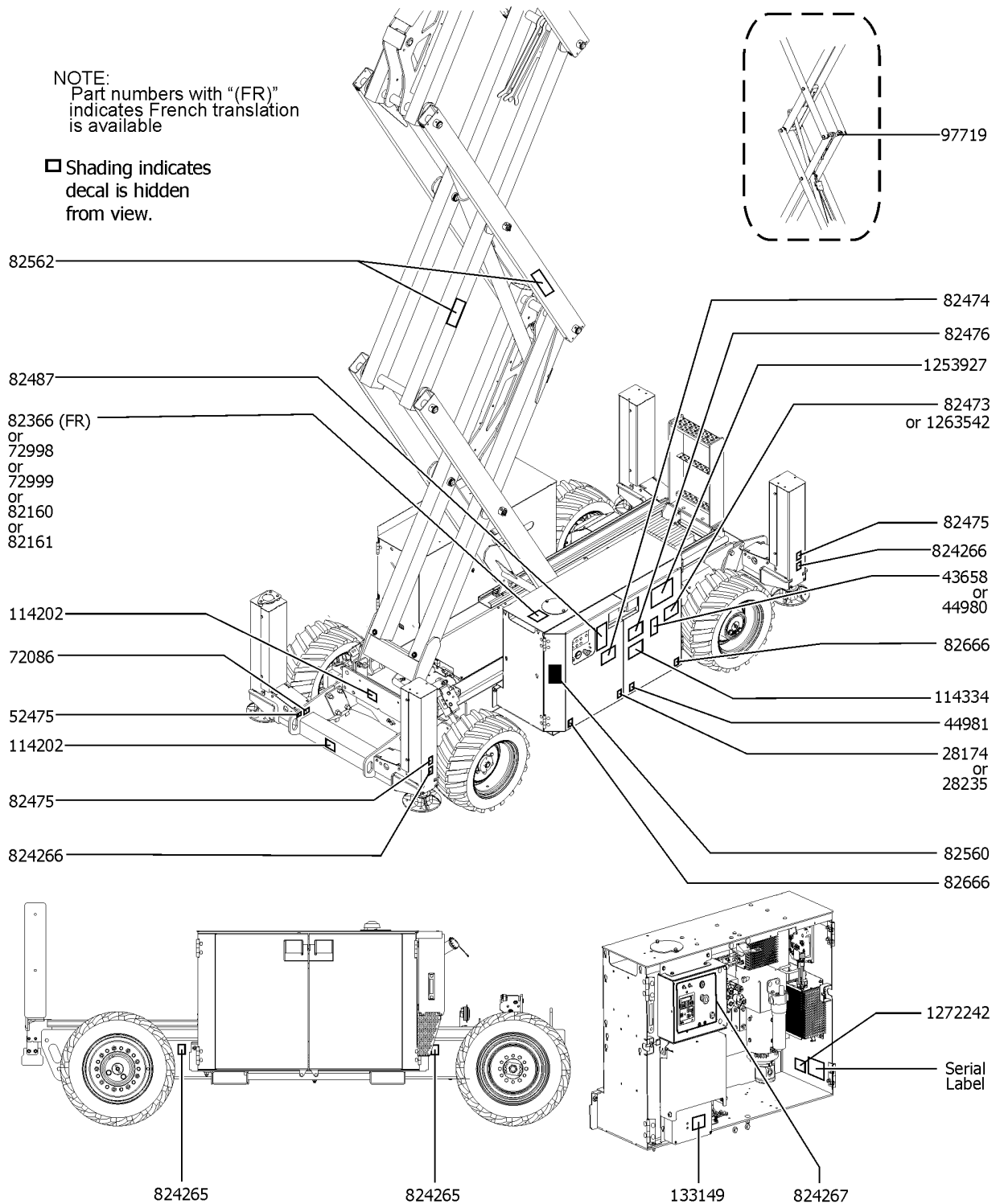
Item	Part No.	Description	Qty.
1	28174GT	DECAL,POWER TO PLATFORM 230V	1
2	28235GT	DECAL,POWER TO PLATFORM 115V	1
3	43658GT	DECAL, LABEL, PWR TO CHARGER 230 EU	1
4	44980GT	DECAL, LABEL, PWR TO CHARGER 115 UK	1
5	44981GT	DECAL,LABEL,AIRLINE 110 PSI	1
		Option, airline to plat	
6	52475GT	DECAL,LABEL,TRANSPORT TIEDOWN*	1
7	72086GT	DECAL,LABEL,LIFTING EYE	1
8	72998GT	DECAL,LABEL,QUINTOLUBRIK	1
		(For models with Quintolub hydraulic oil only)	
9	72999GT	DECAL,LABEL,PETRO CANADA***	1
		(For models with petro canada hydraulic oil only)	
10	82160GT	DECAL,LABEL,STATOIL HYDRA WAY	1
		(For models with Statoil hydraulic oil only)	
11	82161GT	DECAL,LABEL,UCON HYDROLUBE	1
		(For models with Ucon Hydrolube hydraulic oil only)	
12	82366GT	DECAL,CHEVRON RANDO HD	1
		(For models with chevron rando hydraulic oil only)	
13A	82473GT	DECAL,SYMBOL-COMP ACCESS	1
		(to SN 11474)	
13B	1263542GT	DECAL, COMPARTMENT ACCESS	1
		(from SN 11475)	
14	82474GT	DECAL,SYMBOL-USE SAFETY ARM	1
15	82475GT	DECAL,SYMBOL-FOOT CRUSHING	2
		(models with outriggers)	
16	82476GT	DECAL,SYMBOL-ELEC HAZARD,GS	1
17	82487GT	DECAL,SYMBOL-READ THE MANUAL	1
18	82560GT	DECAL,SYMBOL-SKIN INJECT HAZRD	1
19	82562GT	DECAL,SYMBOL-CRUSHING HAZARD	2
20	82666GT	DECAL,LABEL,FORKLIFT POCKET	2
21	97719GT	DECAL, LABEL, SAFETY ARM SYMB	1
22	114202GT	DECAL,LABEL,TRANSPORT TIE 68	1
23	114334GT	DECAL SYMBOL ELECTRIC HAZARD PLUG	1
24	133149GT	DECAL,LABEL-ELEC HAZ,SERV MAN	1
25	824265GT	DECAL,LABEL,WHEEL LD,GS4069BE	2
26	824266GT	DECAL,LABEL,OUTRIGGER LD,BE	2
		(models with outriggers)	
27	824267GT	DECAL, GROUND CONTROL PANEL,	1



122.1 Decals with Symbols, GS-4069, Controls Side (to SN GS69F-17999)

NOTE:
Part numbers with "(FR)" indicates French translation is available

☐ Shading indicates decal is hidden from view.

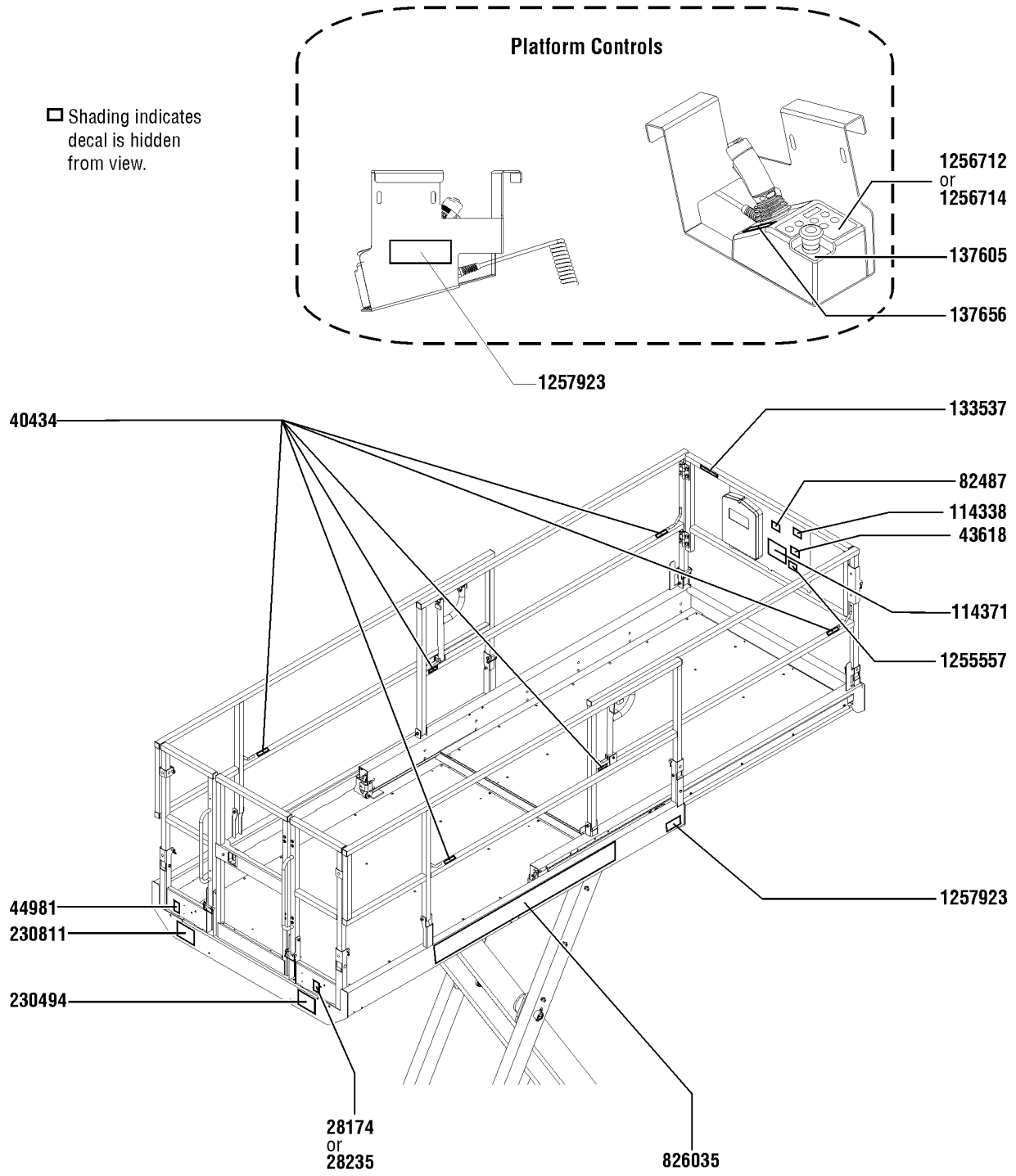


122.1 Decals with Symbols, GS-4069, Controls Side (to SN GS69F-17999)

<i>Item</i>	<i>Part No.</i>	<i>Description</i>	<i>Qty.</i>
28	1253927GT	DECAL,COSMETIC,BI-ENERGY	1
29	1272242GT	DECAL,MACHINE REGISTRATION/OWN	1



123.1 Decals with Symbols, GS-4069, Platform, Asia & South America (to SN GS69F-17999)

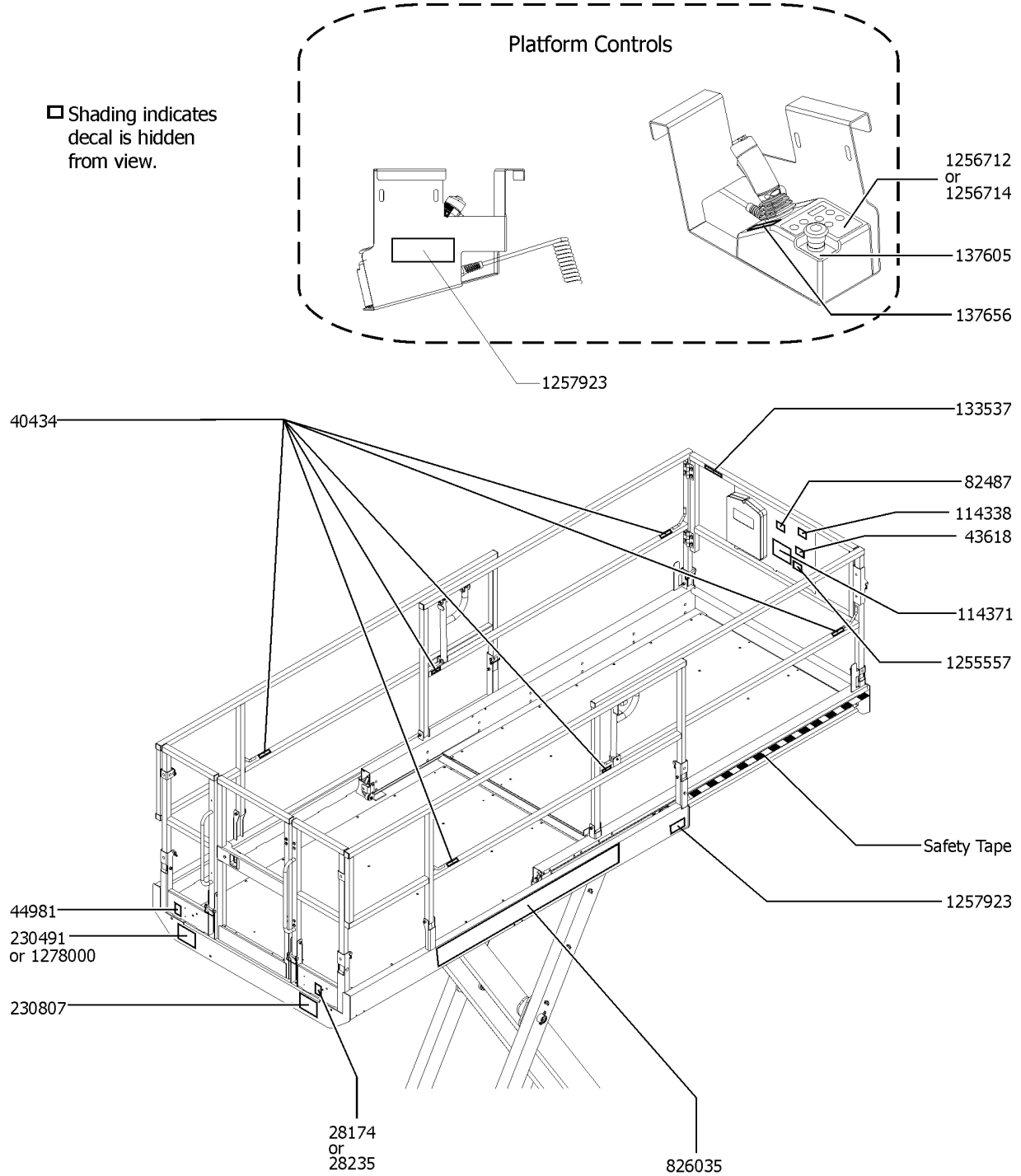


123.1 Decals with Symbols, GS-4069, Platform, Asia & South America (to SN GS69F-17999)

Item	Part No.	Description	Qty.
1	28174GT	DECAL,POWER TO PLATFORM 230V	1
2	28235GT	DECAL,POWER TO PLATFORM 115V	1
3	40434GT	DECAL,LANYARD ANCHORAGE POINT	6
4	43618GT	DECAL,LABEL-DIRECTION ARROWS	1
5	44981GT	DECAL,LABEL,AIRLINE 110 PSI	1
		Option, airline to plat	
6	82487GT	DECAL,SYMBOL-READ THE MANUAL	1
7	114338GT	DECAL,SYM-TIP-OVR,TILT ALARM	1
8	114371GT	DECAL,SYM-TIP-OVER,OUTRGR	1
		(models with outriggers)	
9	133537GT	DECAL,CRUSH HAZ RAILS SYMB	1
10	137605GT	DECAL,E-STOP,GR/GRC/GS PCON	1
11	137656GT	DECAL,PROPEL,GR/GRC/GS,PCON	1
12	230494GT	DECAL,DANGER,SIDE FRC,GS4069	1
13	230811GT	DECAL,NOTICE,MAX CAP GS4069	1
14	826035GT	DECAL COSMETIC,GS4069BE	1
15	1255557GT	LABEL,RUNAWAY HAZARD, SLOPE	1
16	1256712GT	DECAL,STD,PROP LIFT,69BE,UI	1
		(models without outriggers)	
17	1256714GT	DECAL,O/R,PROP LIFT,69BE,UI	1
		(models with outriggers)	
18	1257923GT	DECAL, SMARTLINK PROPORTIONAL LIFT IDENTIFIER	2



124.1 Decals with Symbols, GS-4069, Platform, CE (to SN GS69F-17999)

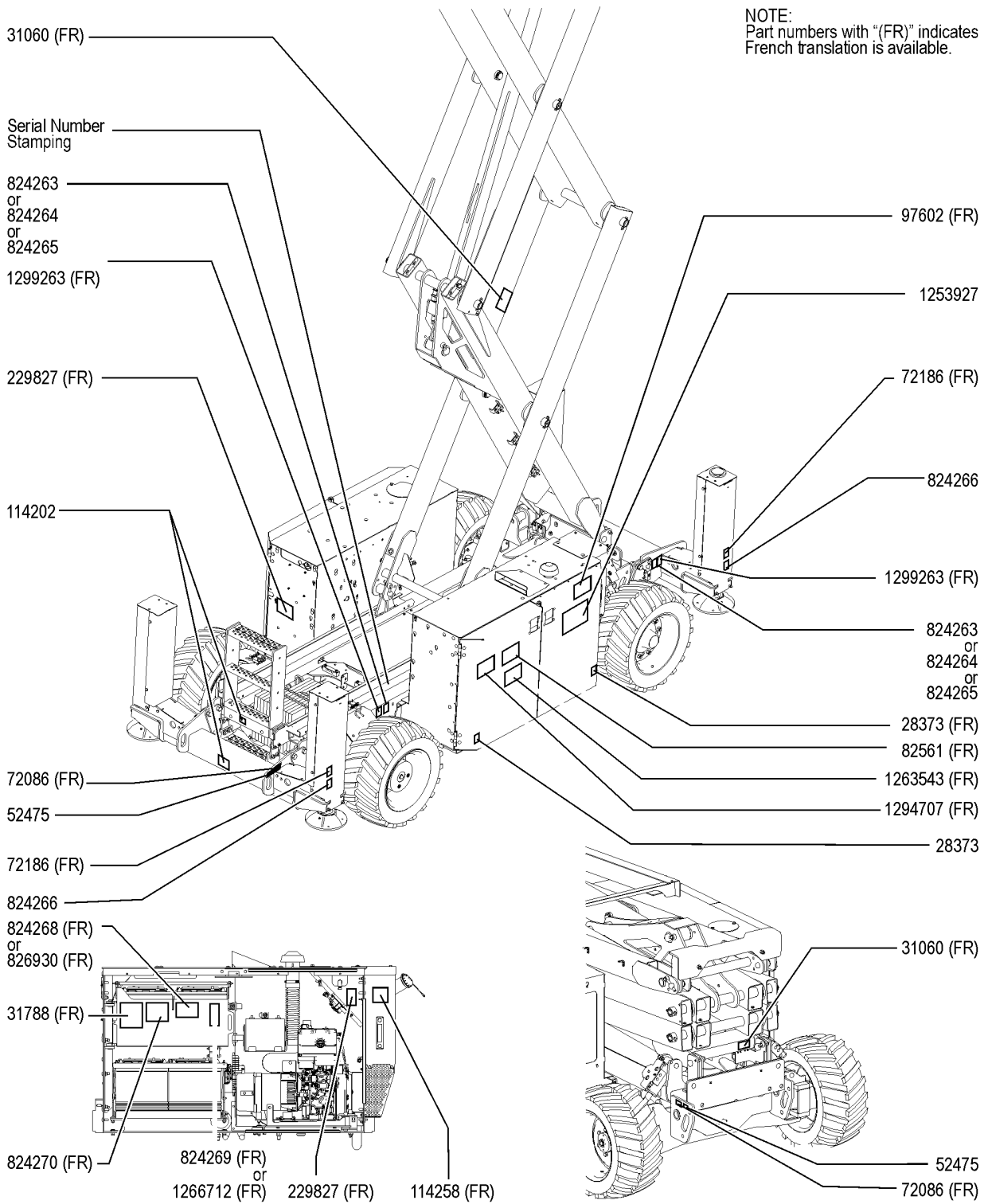


124.1 Decals with Symbols, GS-4069, Platform, CE (to SN GS69F-17999)

Item	Part No.	Description	Qty.
1	28174GT	DECAL,POWER TO PLATFORM 230V	1
2	28235GT	DECAL,POWER TO PLATFORM 115V	1
3	40434GT	DECAL,LANYARD ANCHORAGE POINT	6
4	43618GT	DECAL,LABEL-DIRECTION ARROWS	1
5	44981GT	DECAL,LABEL,AIRLINE 110 PSI	1
		Option, airline to plat	
6	82487GT	DECAL,SYMBOL-READ THE MANUAL	1
7	114338GT	DECAL,SYM-TIP-OVR,TILT ALARM	1
8	114371GT	DECAL,SYM-TIP-OVER,OUTRGR	1
		(models with outriggers)	
9	133537GT	DECAL,CRUSH HAZ RAILS SYMB	1
10	137605GT	DECAL,E-STOP,GR/GRC/GS PCON	1
11	137656GT	DECAL,PROPEL,GR/GRC/GS,PCON	1
12A	230491GT	DECAL,NOTICE,MAX CAP GS4069	1
		(to SN 11474)	
12B	1278000GT	DECAL,DANGER,MAX CAP/MAN FRC 4069 CE	1
13	230807GT	DECAL,DANGER,MAN FRC, GS4069	1
14	826035GT	DECAL COSMETIC,GS4069BE	1
15	1255557GT	LABEL,RUNAWAY HAZARD, SLOPE	1
16	1256712GT	DECAL,STD,PROP LIFT,69BE,UI	1
		(models without outriggers)	
17	1256714GT	DECAL,O/R,PROP LIFT,69BE,UI	1
		(models with outriggers)	
18	1257923GT	DECAL, SMARTLINK PROPORTIONAL LIFT IDENTIFIER	2



125.1 Decals with Word, Battery Side (from SN GS69F-18000)



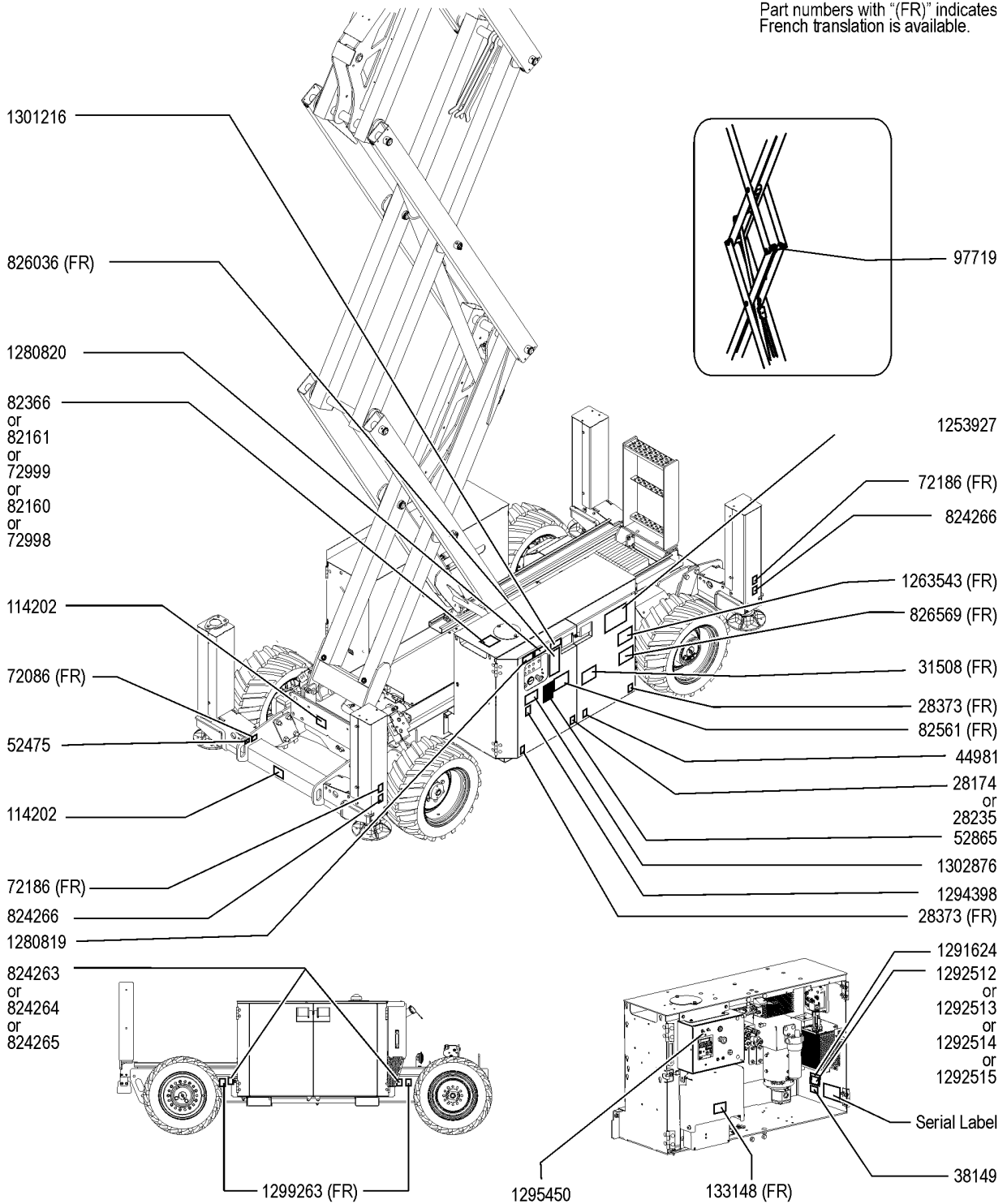
125.1 Decals with Word, Battery Side (from SN GS69F-18000)

Item	Part No.	Description	Qty.
-	1306804GT	INSTRUCTIONS,INSTALL,COMP,WORD, GS-69 BE	1
-	1306805GT	DECAL KIT, GS-69 BE,COMP,WORD,ANSI & AUS	1
1	28373GT	DECAL,FORK LIFT POCKET	2
2	31060GT	DECAL,DANGER DO NOT ALTER SWTC	2
3	31788GT	DECAL,DANGER,BATTERY SAFETY***	1
4	52475GT	DECAL,LABEL,TRANSPORT TIEDOWN*	3
5	72086GT	DECAL,LABEL,LIFTING EYE	3
6	72186GT	DECAL,WARNING,CRUSHING HAZARD	2
7	82561GT	DECAL,DANGER-USE SAFETY ARM	1
8	97602GT	DECAL,EXPLOSION HAZARD	1
9	114202GT	DECAL,LABEL,TRANSPORT TIE 68	1
10	114258GT	DECAL,DANGER,NO SMOKING	1
11	229827GT	DECAL,WARNING,HOT SURFACE	2
12	824263GT	DECAL,LABEL,WHEEL LD,GS2669BE	2
13	824264GT	DECAL,LABEL,WHEEL LD,GS3369BE	2
14	824265GT	DECAL,LABEL,WHEEL LD,GS4069BE	2
15	824266GT	DECAL,LABEL,OUTRIGGER LD,BE	2
16	824268GT	DECAL,DANGER-TIP-OVR,BE,T145	1
17	824269GT	DECAL,KOHLER ENGINE SPEC KD350	1
18	824270GT	DECAL,BATT CONN DIAGRAM,BE	1
19	826930GT	DECAL,DANGER-TIP-OVR,BE,T105	1
20	1253927GT	DECAL,COSMETIC,BI-ENERGY	1
21	1263543GT	DECAL,COMPARTMENT ACCESS	1
22	1294707GT	DECAL,DANGER,ELEC HAZARD,GS, MINI	1
23	1299263GT	DECAL,DANGER,TIP, GS69 FOAM FILLED	2
24	1266712GT	DECAL,KOHLER ENG.SPEC,3000RPM	1



126.1 Decals with Word, Controls Side (from SN GS69F-18000)

NOTE:
Part numbers with "(FR)" indicates
French translation is available.



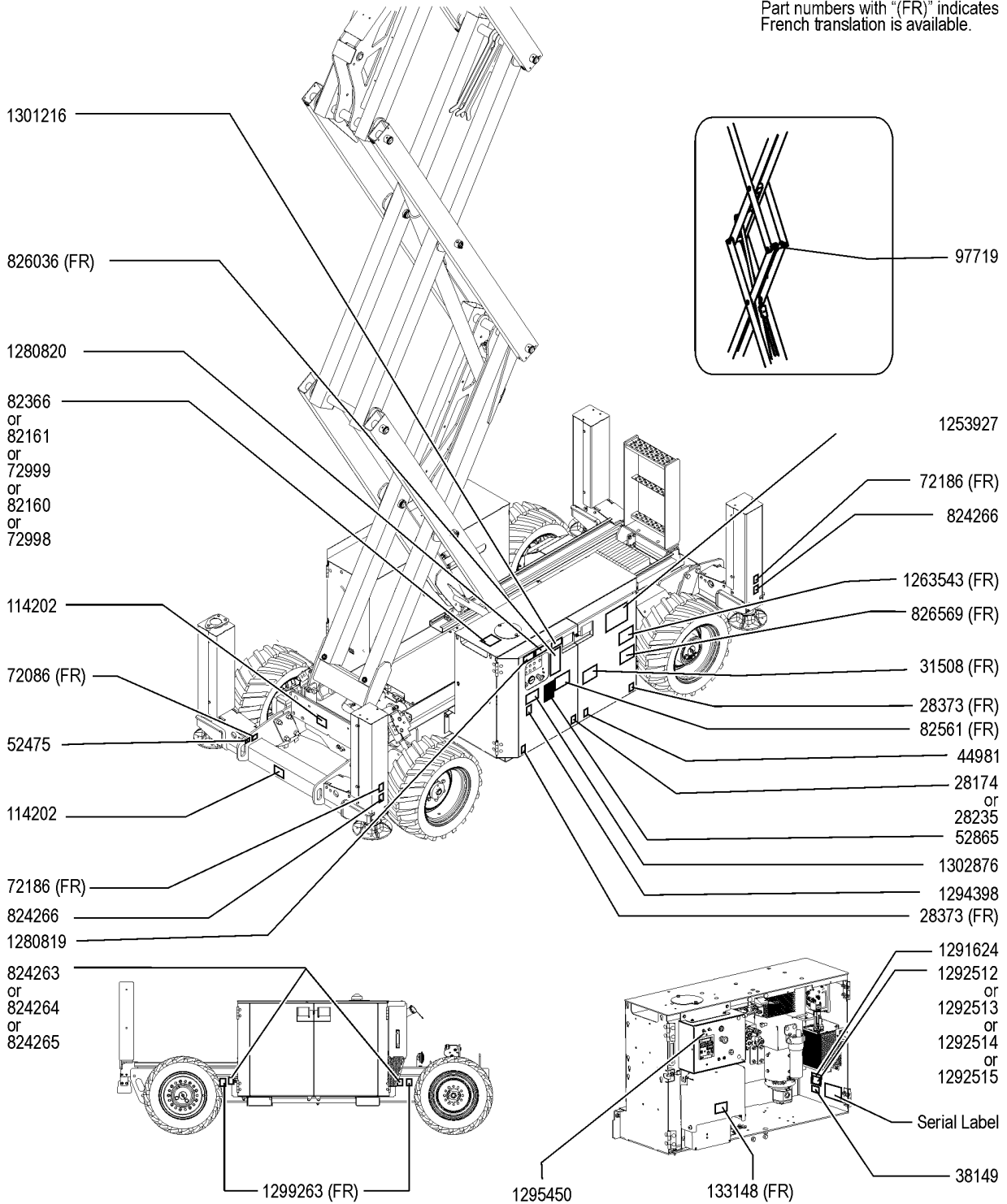
126.1 Decals with Word, Controls Side (from SN GS69F-18000)

Item	Part No.	Description	Qty.
1	28174GT	DECAL,POWER TO PLATFORM 230V	1
2	28235GT	DECAL,POWER TO PLATFORM 115V	1
3	28373GT	DECAL,FORK LIFT POCKET	2
4	31508GT	DECAL,DANGER,ELECT HAZARD,PLUG	1
5	38149GT	DECAL,LABEL,PATENTS	1
6	44981GT	DECAL,LABEL,AIRLINE 110 PSI	1
7	52475GT	DECAL,LABEL,TRANSPORT TIEDOWN*	1
8	52865GT	DECAL,ANNUAL INSP***	1
9	72086GT	DECAL,LABEL,LIFTING EYE	1
10	72186GT	DECAL,WARNING,CRUSHING HAZARD	2
11	72998GT	DECAL,LABEL,QUINTOLUBRIK	1
12	72999GT	DECAL,LABEL,PETRO CANADA***	1
13	82160GT	DECAL,LABEL,STATOIL HYDRA WAY	1
14	82161GT	DECAL,LABEL,UCON HYDROLUBE	1
15	82366GT	DECAL,CHEVRON RANDO HD	1
16	82561GT	DECAL,DANGER-USE SAFETY ARM	1
17	97719GT	DECAL, LABEL, SAFETY ARM SYMB	1
18	114202GT	DECAL,LABEL,TRANSPORT TIE 68	2
19	133148GT	DECAL,DANGER,HAZARD VOLTAGE	1
20	824263GT	DECAL,LABEL,WHEEL LD,GS2669BE	2
21	824264GT	DECAL,LABEL,WHEEL LD,GS3369BE	2
22	824265GT	DECAL,LABEL,WHEEL LD,GS4069BE	2
23	824266GT	DECAL,LABEL,OUTRIGGER LD,BE	2
24	826036GT	DECAL,GRND OPS INSTRUCT,GS69BE	1
25	826569GT	DECAL,INSTRUCTIONS-CHARGER OP	1
26	1253927GT	DECAL,COSMETIC,BI-ENERGY	1
27	1263543GT	DECAL,COMPARTMENT ACCESS	1
28	1280819GT	DECAL,WARNING,CANCER AND REPRODUCTIVE HARM, PROP 65 US ANSI Only	1



126.1 Decals with Word, Controls Side (from SN GS69F-18000)

NOTE:
Part numbers with "(FR)" indicates
French translation is available.

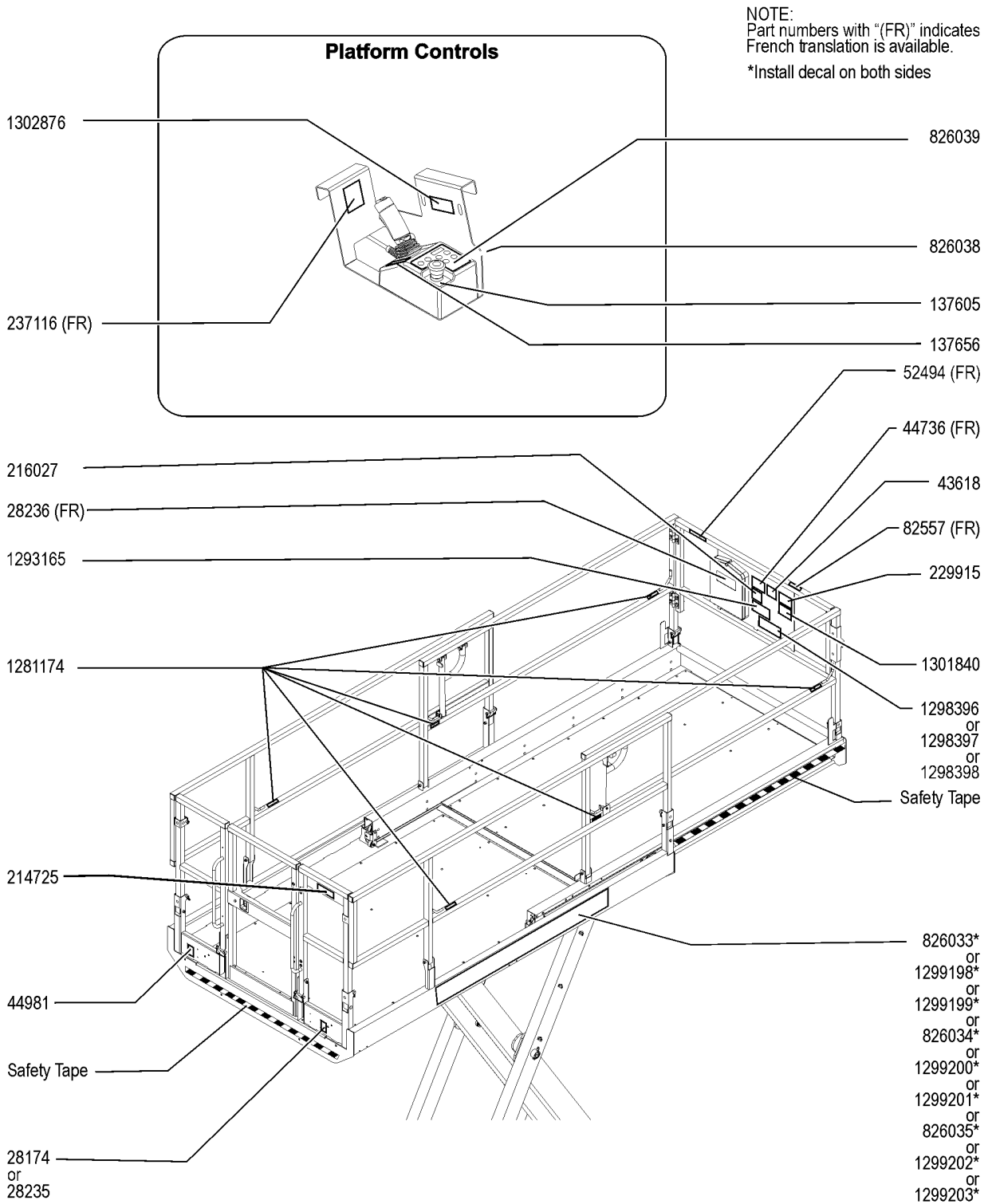


126.1 Decals with Word, Controls Side (from SN GS69F-18000)

<i>Item</i>	<i>Part No.</i>	<i>Description</i>	<i>Qty.</i>
29	1280820GT	DECAL,FUEL,DIESEL EXHAUST, PROP 65 US ANSI Only	1
30	1291624GT	DECAL COSM,GENIE LIFT CONNECT,LEXAN COVER	1
31	1292512GT	DECAL COSM,GENIE LIFT CONNECT,ESN,SKU4-1	1
32	1292513GT	DECAL COSM,GENIE LIFT CONNECT,ESN,SKU4-2	1
33	1292514GT	DECAL COSM,GENIE LIFT CONNECT,ESN,SKU4-3	1
34	1292515GT	DECAL COSM,GENIE LIFT CONNECT,ESN,SKU4-4	1
35	1294398GT	DECAL, ANSI/CSA COMPLIANT	1
36	1295450GT	DECAL, GROUND CONTROL PANEL, GS69 BE, LS	1
37	1299263GT	DECAL,DANGER,TIP, GS69 FOAM FILLED	2
38	1301216GT	DECAL, EMERGENCY LOWERING, GS69 DC/BE	1
39	1302876GT	DECAL, GS69 SMARTLINK UPDATE	1



127.1 Decals with Word Platform (from SN GS69F-18000)

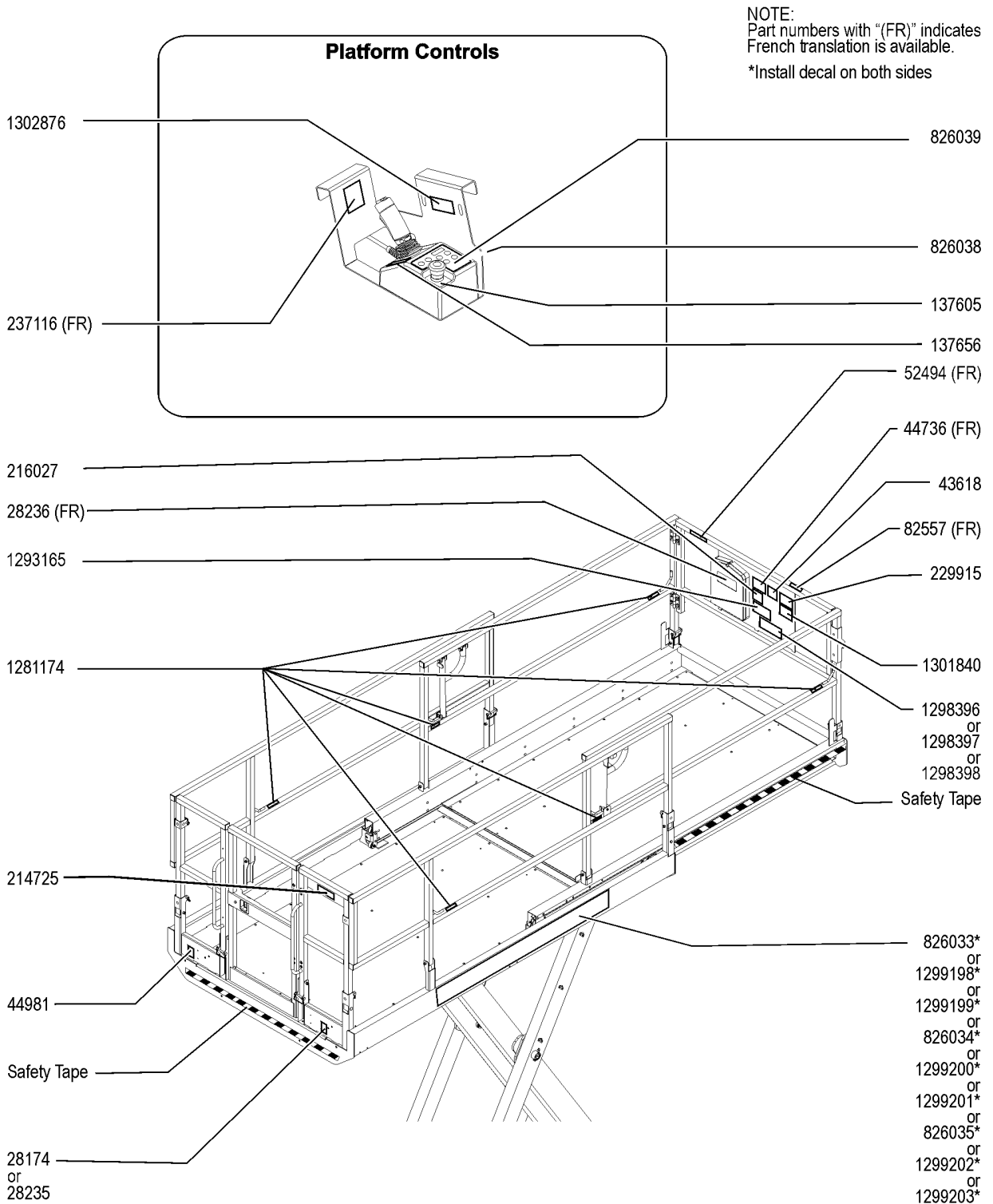


127.1 Decals with Word Platform (from SN GS69F-18000)

Item	Part No.	Description	Qty.
-	1306806GT	INSTRUCTIONS,INSTALL,PLAT,WORD, GS-69 BE	1
-	1306807GT	DECAL KIT, GS-69 BE,PLAT,WORD,ANSI & AUS	1
1	28174GT	DECAL,POWER TO PLATFORM 230V	1
2	28235GT	DECAL,POWER TO PLATFORM 115V	1
3	43618GT	DECAL,LABEL-DIRECTION ARROWS	1
4	44981GT	DECAL,LABEL,AIRLINE 110 PSI	1
5	82487GT	DECAL,SYMBOL-READ THE MANUAL	1
6	114338GT	DECAL,SYM-TIP-OVR,TILT ALARM	1
7	114371GT	DECAL,SYM-TIP-OVER,OUTRGR	1
8	137605GT	DECAL,E-STOP,GR/GRC/GS PCON	1
9	137656GT	DECAL,PROPEL,GR/GRC/GS,PCON	1
10	216031GT	DECAL,SYMBOL-RUNAWAY HAZ	1
11	826033GT	DECAL,COSMETIC GENIE GS-2669BE	2
12	826034GT	DECAL,COSMETIC GENIE GS-3369BE	2
13	826035GT	DECAL COSMETIC,GS4069BE	2
14	826038GT	DECAL,UI,GS69BE W/OR,PCON	1
15	826039GT	DECAL, UI, GS69BE,PCON	1
16	1281174GT	DECAL,LANYARD,FALL ARREST/FALL RESTRAINED	6
17	1281175GT	DECAL,LANYARD,FALL RESTRAINED	6
18	1283079GT	DECAL, FALL HAZARD, SYM	1
19	1293166GT	DECAL,TIP-OVER,CRUSH, GS-1330m	1
20	1294688GT	DECAL,PLATFORM OVERLOAD, MINI	1
21	1299198GT	DECAL, COSMETIC,GENIE GS-2669BE, BLACK	2
22	1299199GT	DECAL, COSMETIC,GENIE GS-2669BE, BLUE	2
23	1299200GT	DECAL, COSMETIC,GENIE GS-3369BE, BLACK	2
24	1299201GT	DECAL, COSMETIC,GENIE GS-3369BE, BLUE	2
25	1299202GT	DECAL, COSMETIC,GENIE GS-4069BE, BLACK	2
26	1299203GT	DECAL, COSMETIC,GENIE GS-4069BE, BLUE	2



127.1 Decals with Word Platform (from SN GS69F-18000)



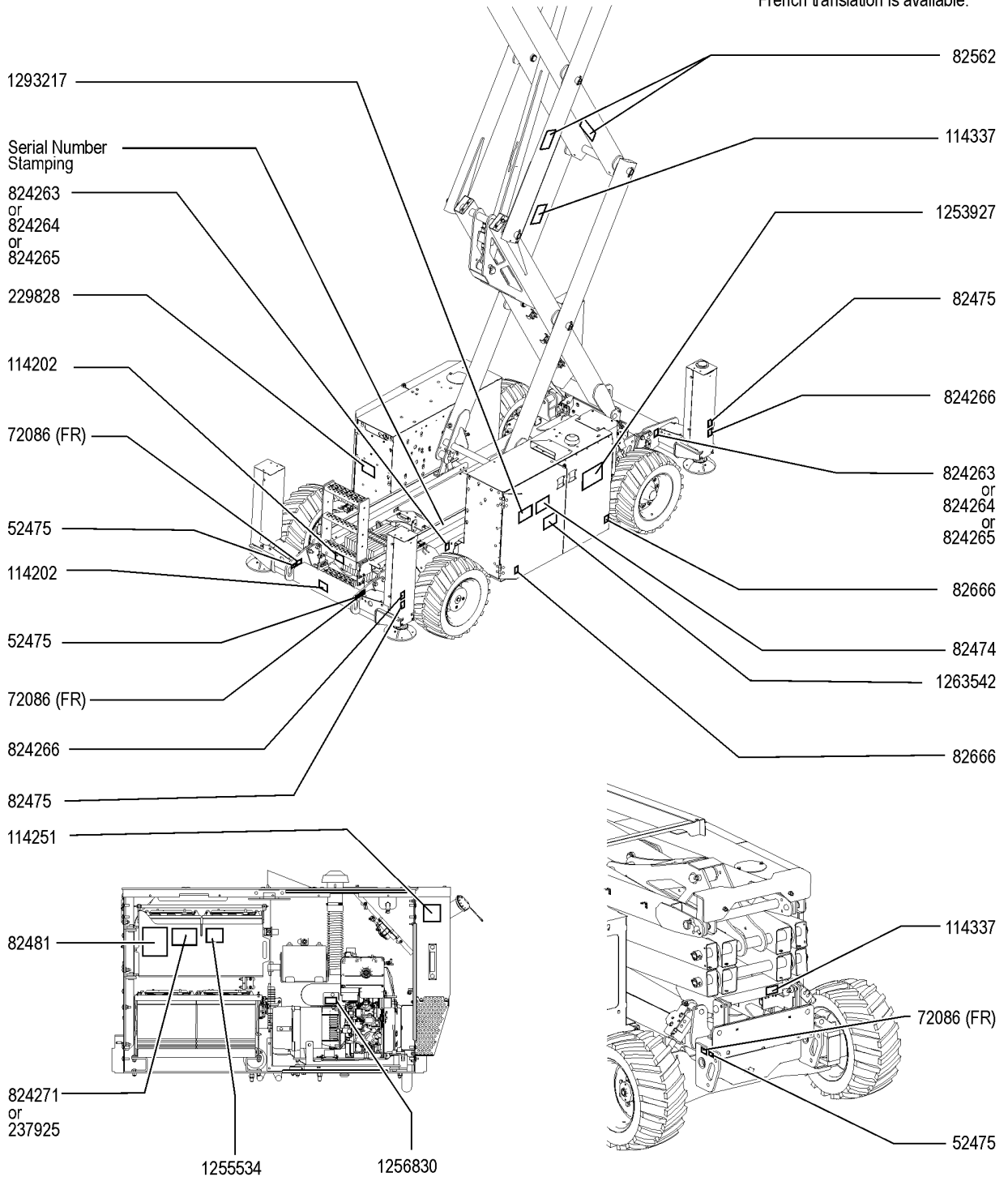
127.1 Decals with Word Platform (from SN GS69F-18000)

<i>Item</i>	<i>Part No.</i>	<i>Description</i>	<i>Qty.</i>
27	1299285GT	DECAL, NOTICE, SYMBOL, MAX CAP AND SIDE FORCE, GS2669	1
28	1299286GT	DECAL, NOTICE, SYMBOL, MAX CAP AND SIDE FORCE, GS3369	1
29	1299287GT	DECAL, NOTICE, SYMBOL, MAX CAP AND SIDE FORCE, GS4069	1
30	1302876GT	DECAL, GS69 SMARTLINK UPDATE	1



128.1 Decals with Symbol, Battery Side (from SN GS69F-18000)

NOTE:
Part numbers with "(FR)" indicates
French translation is available.



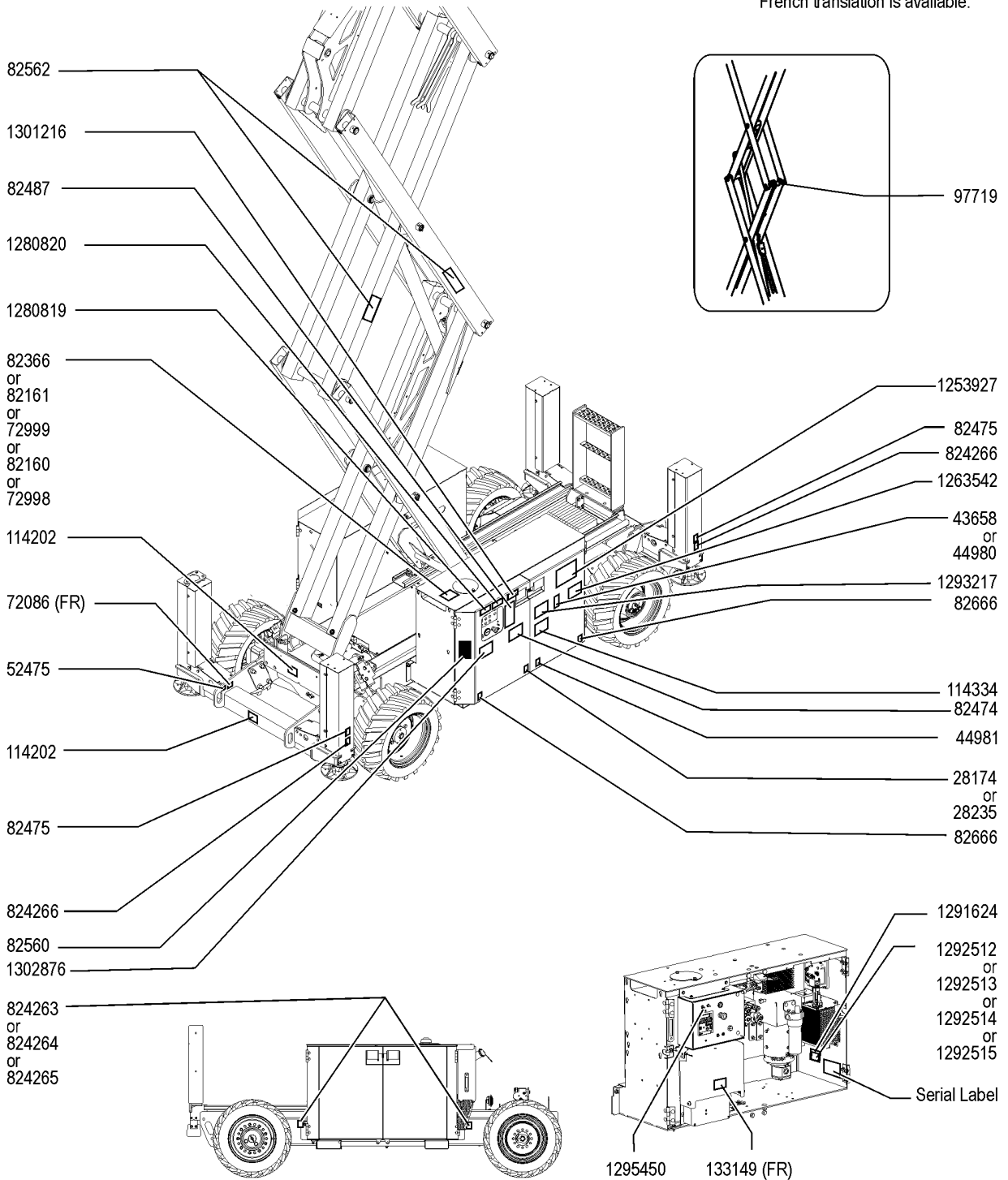
128.1 Decals with Symbol, Battery Side (from SN GS69F-18000)

Item	Part No.	Description	Qty.
-	1306808GT	INSTRUCTIONS,INSTALL,COMP,SYMBOL, GS-69 BE	1
-	1306809GT	DECAL KIT, GS-69 BE,COMP,SYMBOL,ANSI & CE	1
1	52475GT	DECAL,LABEL,TRANSPORT TIEDOWN*	3
2	72086GT	DECAL,LABEL,LIFTING EYE	3
3	82474GT	DECAL,SYMBOL-USE SAFETY ARM	1
4	82475GT	DECAL,SYMBOL-FOOT CRUSHING	2
5	82562GT	DECAL,SYMBOL-CRUSHING HAZARD	2
6	82666GT	DECAL,LABEL,FORKLIFT POCKET	2
7	82481GT	DECAL,SYMBOL-BATTERY SAFETY	1
8	114202GT	DECAL,LABEL,TRANSPORT TIE 68	1
9	114337GT	DECAL,SYM-TIP-OVR,LIM SWITCH	2
10	114251GT	DECAL,LABEL,NO SMOKING,SYMB	1
11	229828GT	DECAL,LABEL,HOT,SYMBOL	1
12	237925GT	DECAL,DNGR-TIP-OVR,BATT,J305CE	1
13	824263GT	DECAL,LABEL,WHEEL LD,GS2669BE	2
14	824264GT	DECAL,LABEL,WHEEL LD,GS3369BE	2
15	824265GT	DECAL,LABEL,WHEEL LD,GS4069BE	2
16	824266GT	DECAL,LABEL,OUTRIGGER LD,BE	2
17	824271GT	DECAL,DNGR-TIP-OVR,BATT,T145CE	1
18	1253927GT	DECAL,COSMETIC,BI-ENERGY	1
19	1255534GT	DECAL,LABEL,103 DB	1
20	1256830GT	DECAL,WARNING,HOT SURFACE	1
21	1263542GT	DECAL, COMPARTMENT ACCESS	1
22	1293217GT	DECAL SYMBOL ELECTRIC HAZARD GS-1330m	1



129.1 Decals with Symbol, Controls Side (from SN GS69F-18000)

NOTE:
Part numbers with "(FR)" indicates
French translation is available.



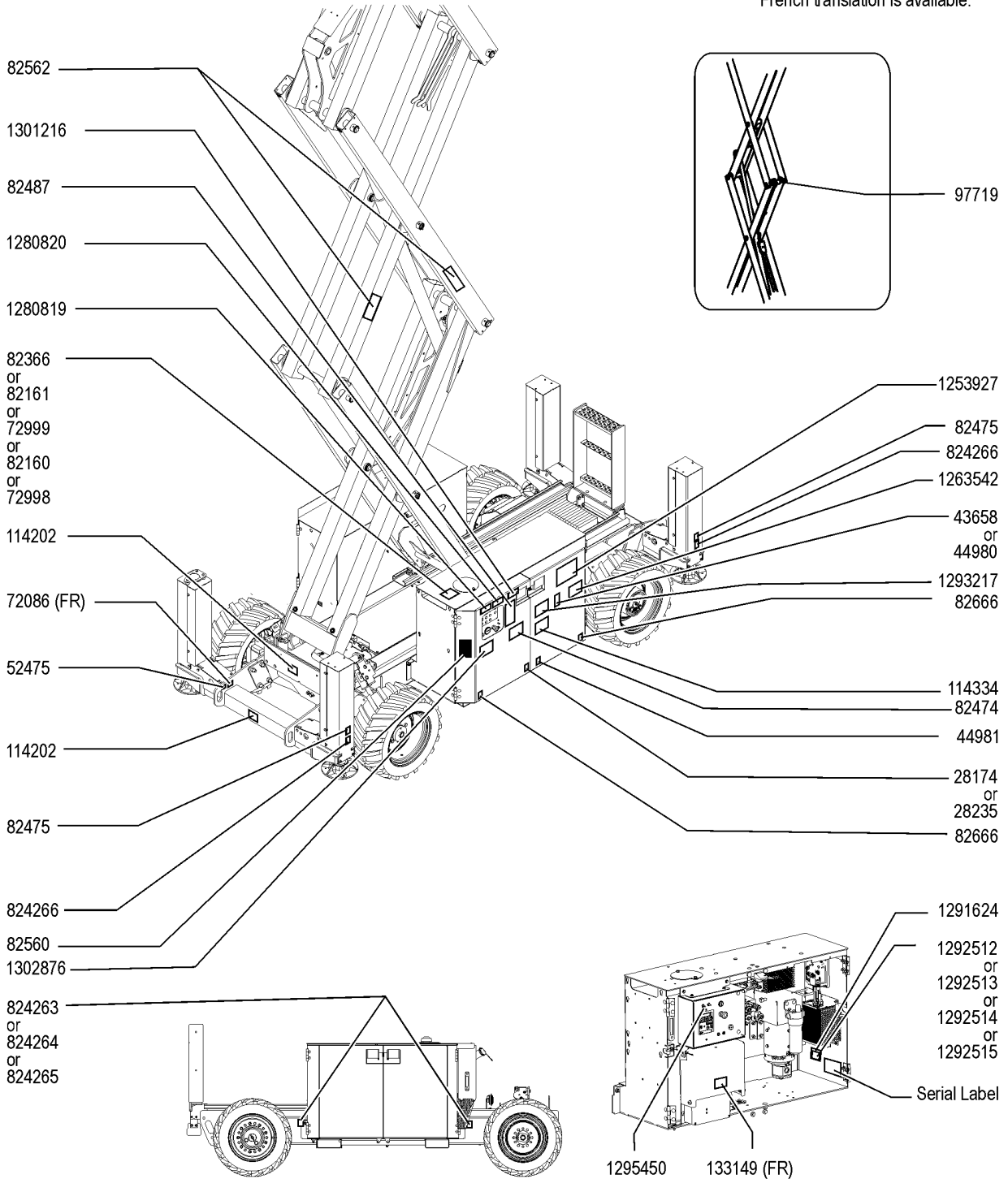
129.1 Decals with Symbol, Controls Side (from SN GS69F-18000)

Item	Part No.	Description	Qty.
1	28174GT	DECAL,POWER TO PLATFORM 230V	1
2	28235GT	DECAL,POWER TO PLATFORM 115V	1
3	43658GT	DECAL, LABEL, PWR TO CHARGER 230 EU	1
4	44980GT	DECAL, LABEL, PWR TO CHARGER 115 UK	1
5	44981GT	DECAL,LABEL,AIRLINE 110 PSI	1
6	52475GT	DECAL,LABEL,TRANSPORT TIEDOWN*	1
7	72086GT	DECAL,LABEL,LIFTING EYE	1
8	72998GT	DECAL,LABEL,QUINTOLUBRIK	1
9	72999GT	DECAL,LABEL,PETRO CANADA***	1
10	82160GT	DECAL,LABEL,STATOIL HYDRA WAY	1
11	82161GT	DECAL,LABEL,UCON HYDROLUBE	1
12	82366GT	DECAL,CHEVRON RANDO HD	1
13	82474GT	DECAL,SYMBOL-USE SAFETY ARM	1
14	82475GT	DECAL,SYMBOL-FOOT CRUSHING	2
15	82487GT	DECAL,SYMBOL-READ THE MANUAL	1
16	82560GT	DECAL,SYMBOL-SKIN INJECT HAZRD	1
17	82562GT	DECAL,SYMBOL-CRUSHING HAZARD	2
18	82666GT	DECAL,LABEL,FORKLIFT POCKET	2
19	97719GT	DECAL, LABEL, SAFETY ARM SYMB	1
20	114202GT	DECAL,LABEL,TRANSPORT TIE 68	1
21	114334GT	DECAL SYMBOL ELECTRIC HAZARD PLUG	1
22	133149GT	DECAL,LABEL-ELEC HAZ,SERV MAN	1
23	824263GT	DECAL,LABEL,WHEEL LD,GS2669BE	2
24	824264GT	DECAL,LABEL,WHEEL LD,GS3369BE	2
25	824265GT	DECAL,LABEL,WHEEL LD,GS4069BE	2
26	824266GT	DECAL,LABEL,OUTRIGGER LD,BE	2
27	1253927GT	DECAL,COSMETIC,BI-ENERGY	1
28	1263542GT	DECAL, COMPARTMENT ACCESS	1



129.1 Decals with Symbol, Controls Side (from SN GS69F-18000)

NOTE:
Part numbers with "(FR)" indicates
French translation is available.

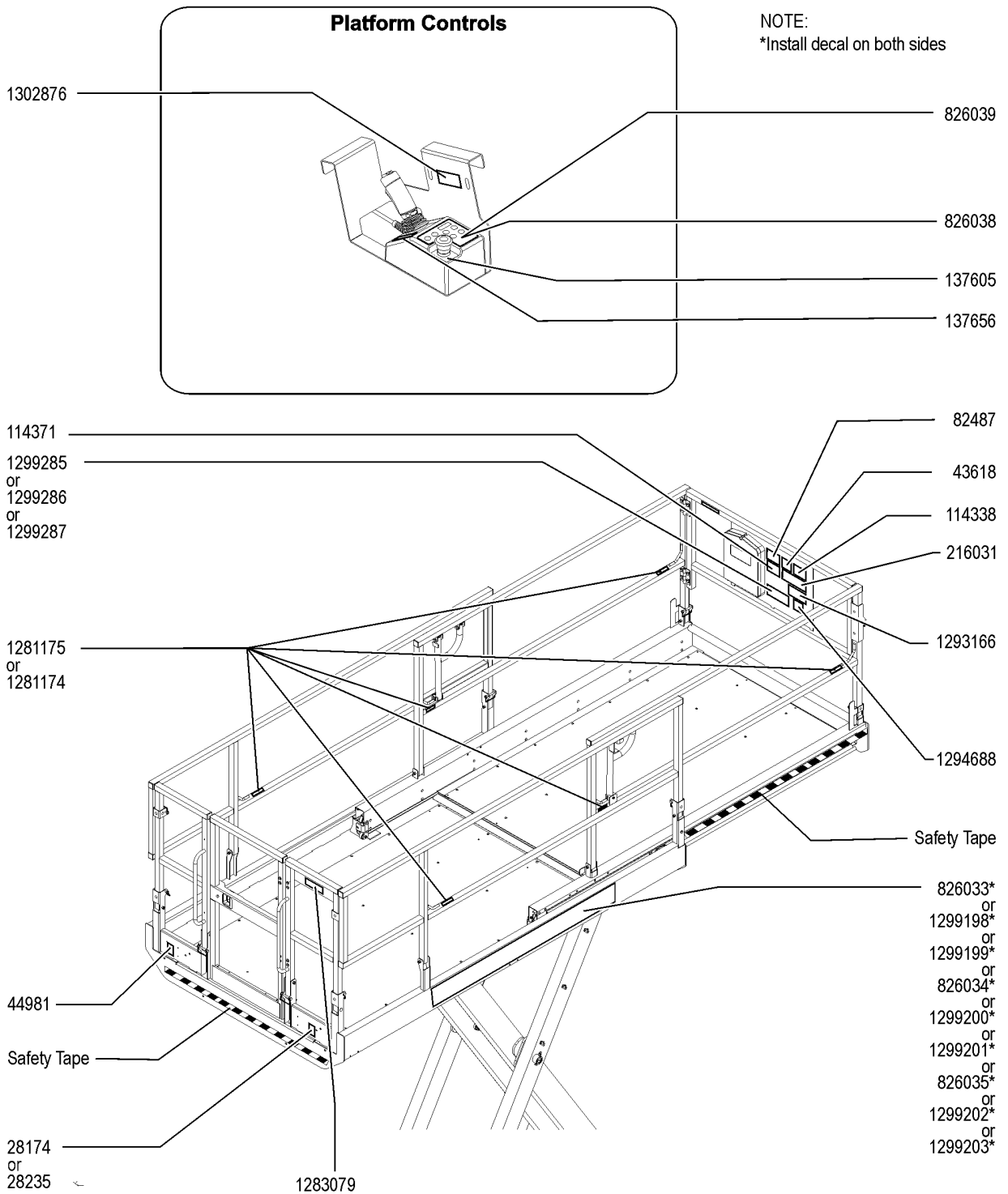


129.1 Decals with Symbol, Controls Side (from SN GS69F-18000)

<i>Item</i>	<i>Part No.</i>	<i>Description</i>	<i>Qty.</i>
29	1280819GT	DECAL,WARNING,CANCER AND REPRODUCTIVE HARM, PROP 65 US ANSI Only	1
30	1280820GT	DECAL,FUEL,DIESEL EXHAUST, PROP 65 US ANSI Only	1
31	1291624GT	DECAL COSM,GENIE LIFT CONNECT,LEXAN COVER	1
32	1292512GT	DECAL COSM,GENIE LIFT CONNECT,ESN,SKU4-1	1
33	1292513GT	DECAL COSM,GENIE LIFT CONNECT,ESN,SKU4-2	1
34	1292514GT	DECAL COSM,GENIE LIFT CONNECT,ESN,SKU4-3	1
35	1292515GT	DECAL COSM,GENIE LIFT CONNECT,ESN,SKU4-4	1
36	1293217GT	DECAL SYMBOL ELECTRIC HAZARD GS-1330m	1
37	1295450GT	DECAL, GROUND CONTROL PANEL, GS69 BE, LS	1
38	1301216GT	DECAL, EMERGENCY LOWERING, GS69 DC/BE	1
39	1302876GT	DECAL, GS69 SMARTLINK UPDATE	1



130.1 Decals with Symbol, Platform (from SN GS69F-18000)

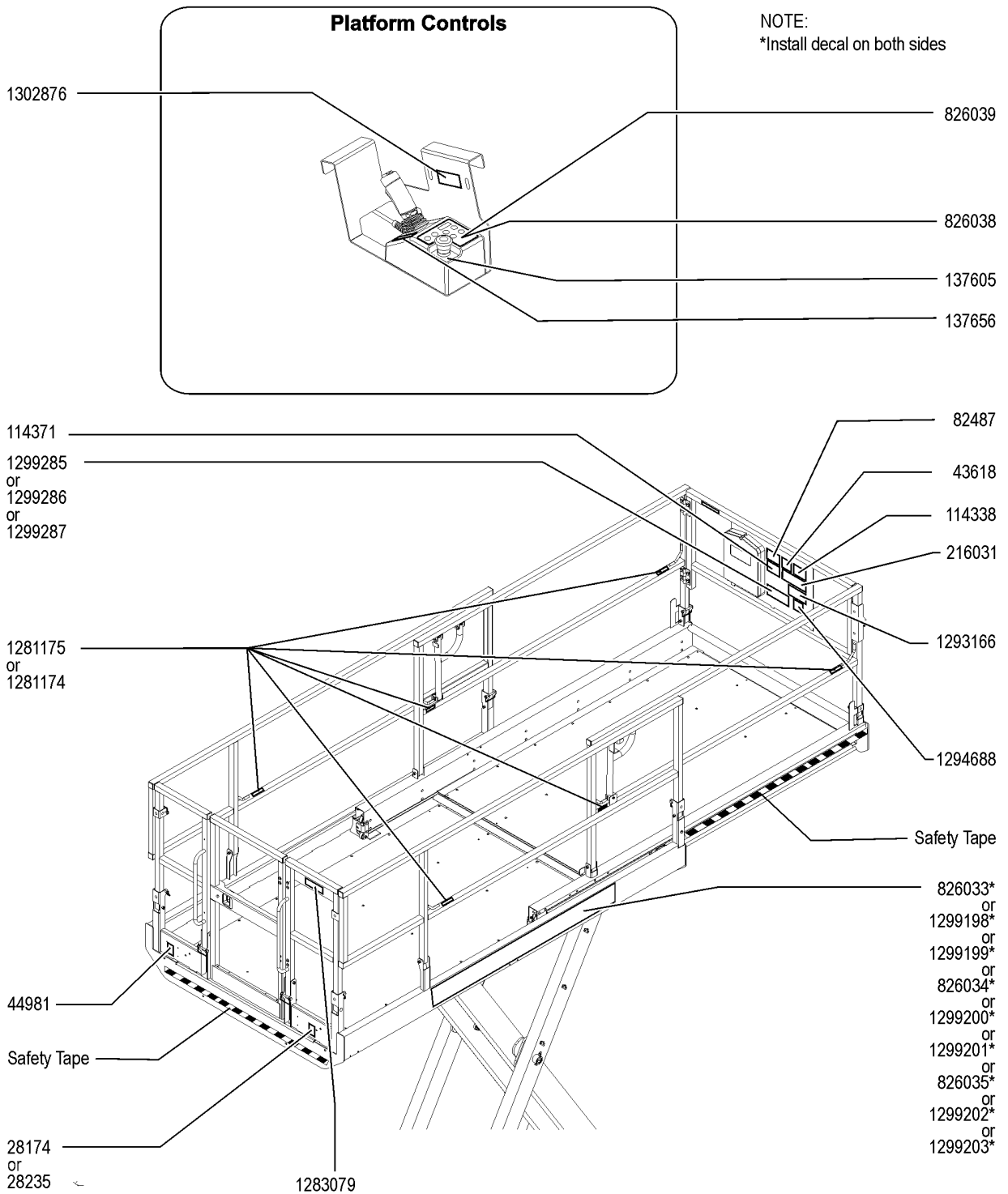


130.1 Decals with Symbol, Platform (from SN GS69F-18000)

Item	Part No.	Description	Qty.
-	1306810GT	INSTRUCTIONS,INSTALL,PLAT,SYMBOL, GS-69 BE	1
-	1306811GT	DECAL KIT, GS-69 BE,PLAT,SYMBOL,ANSI & CE	1
1	28174GT	DECAL,POWER TO PLATFORM 230V	1
2	28235GT	DECAL,POWER TO PLATFORM 115V	1
3	43618GT	DECAL,LABEL-DIRECTION ARROWS	1
4	44981GT	DECAL,LABEL,AIRLINE 110 PSI	1
5	82487GT	DECAL,SYMBOL-READ THE MANUAL	1
6	114338GT	DECAL,SYM-TIP-OVR,TILT ALARM	1
7	114371GT	DECAL,SYM-TIP-OVER,OUTRGR	1
8	137605GT	DECAL,E-STOP,GR/GRC/GS PCON	1
9	137656GT	DECAL,PROPEL,GR/GRC/GS,PCON	1
10	216031GT	DECAL,SYMBOL-RUNAWAY HAZ	1
11	826033GT	DECAL,COSMETIC GENIE GS-2669BE	2
12	826034GT	DECAL,COSMETIC GENIE GS-3369BE	2
13	826035GT	DECAL COSMETIC,GS4069BE	2
14	826038GT	DECAL,UI,GS69BE W/OR,PCON	1
15	826039GT	DECAL, UI, GS69BE,PCON	1
16	1281174GT	DECAL,LANYARD,FALL ARREST/FALL RESTRAINED	6
17	1281175GT	DECAL,LANYARD,FALL RESTRAINED	6
18	1283079GT	DECAL, FALL HAZARD, SYM	1
19	1293166GT	DECAL,TIP-OVER,CRUSH, GS-1330m	1
20	1294688GT	DECAL,PLATFORM OVERLOAD, MINI	1
21	1299198GT	DECAL, COSMETIC,GENIE GS-2669BE, BLACK	2
22	1299199GT	DECAL, COSMETIC,GENIE GS-2669BE, BLUE	2
23	1299200GT	DECAL, COSMETIC,GENIE GS-3369BE, BLACK	2
24	1299201GT	DECAL, COSMETIC,GENIE GS-3369BE, BLUE	2
25	1299202GT	DECAL, COSMETIC,GENIE GS-4069BE, BLACK	2
26	1299203GT	DECAL, COSMETIC,GENIE GS-4069BE, BLUE	2



130.1 Decals with Symbol, Platform (from SN GS69F-18000)

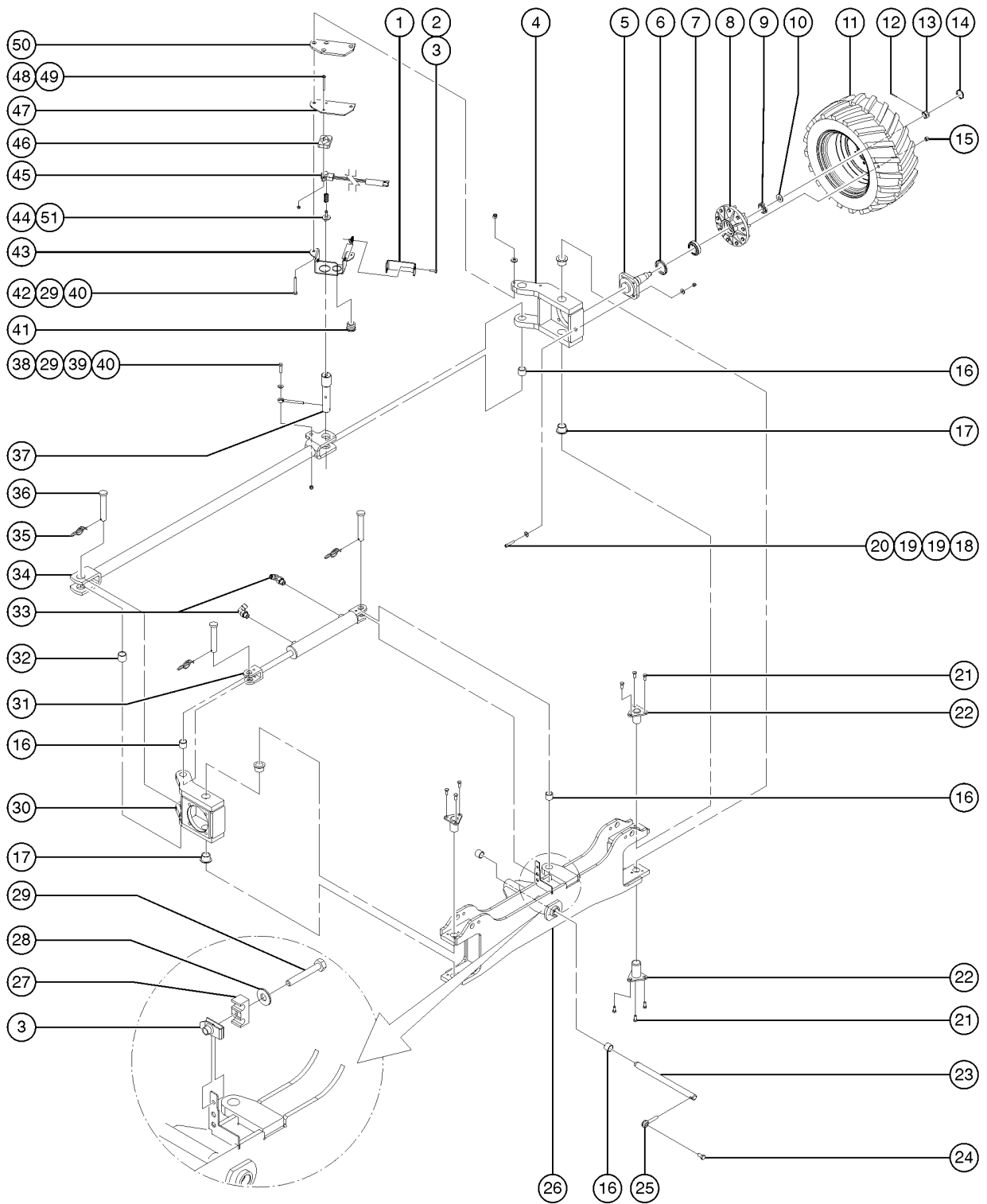


130.1 Decals with Symbol, Platform (from SN GS69F-18000)

<i>Item</i>	<i>Part No.</i>	<i>Description</i>	<i>Qty.</i>
27	1299285GT	DECAL, NOTICE, SYMBOL, MAX CAP AND SIDE FORCE, GS2669	1
28	1299286GT	DECAL, NOTICE, SYMBOL, MAX CAP AND SIDE FORCE, GS3369	1
29	1299287GT	DECAL, NOTICE, SYMBOL, MAX CAP AND SIDE FORCE, GS4069	1
30	1302876GT	DECAL, GS69 SMARTLINK UPDATE	1



201.1 Steer Axle Linkage, Wheels and Drive Motors

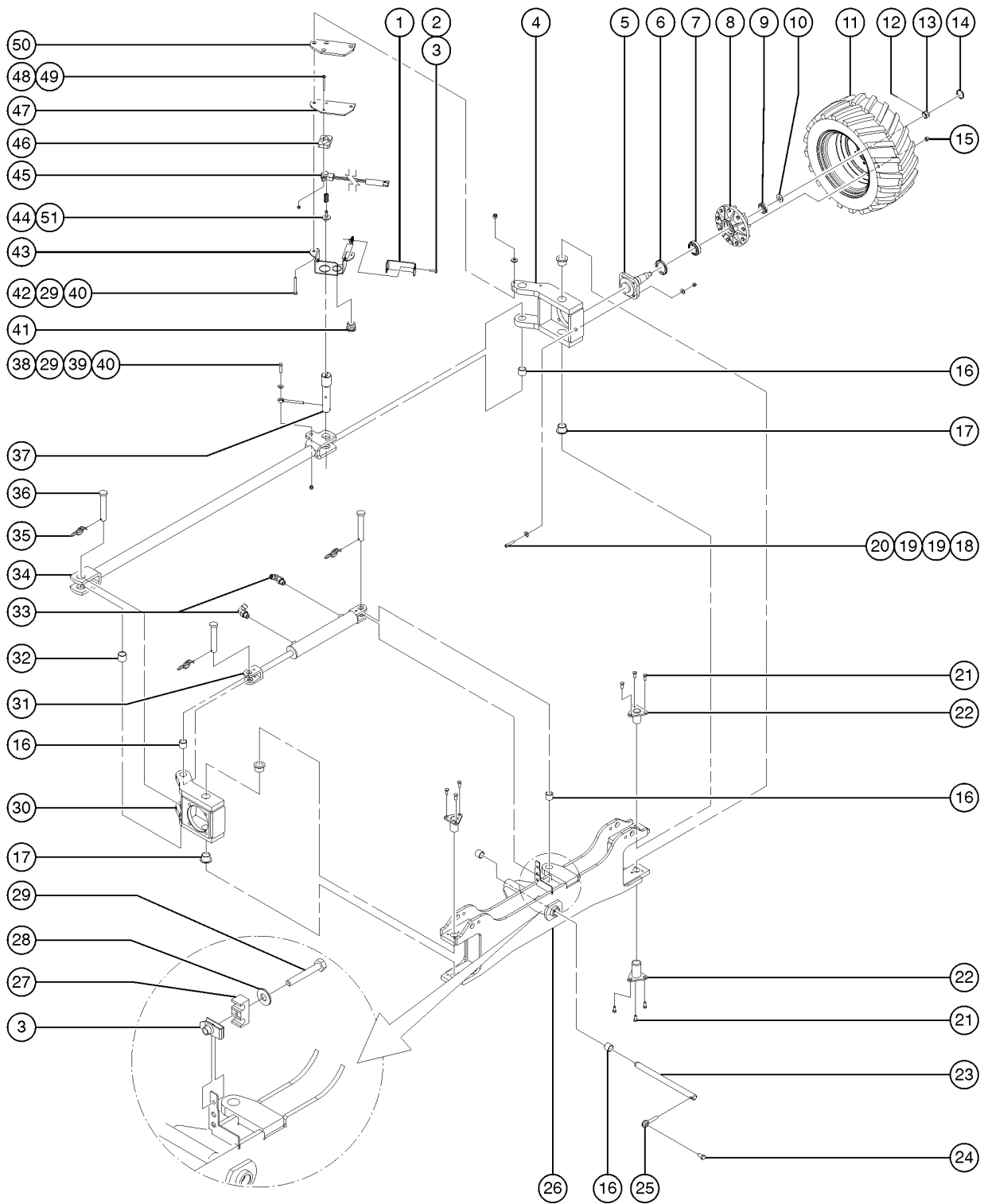


201.1 Steer Axle Linkage, Wheels and Drive Motors

Item	Part No.	Description	Qty.
1	237773GT	FORMING, STEER SENSOR COVER PL Genie blue	1
1B	1254431GT	FORMING, STEER SENSOR COVER PL traffic black	1
2	6090GT	SCREW,HHC,1/4-20 X .75	
3	56912GT	SPRING CLIP,1/4-20,.025-.15X.5	
4	235375GT	ASSEMBLY, STEER YOKE, LFT (includes 2 each items of 17 and 1 each item 16)	1
5	231650GT	WELDMENT,FRONT STEER,GS69DC	1
6	54960GT	SEAL-GREASE,9-BOLT HUB 54840	1
7	54961GT	BEARING,INNER,9 BOLT HUB***	1
8	54958GT	HUB,SUB ASSEMBLY,9 BOLT***	1
9	54962GT	BEARING,OUTER,9 BOLT HUB***	1
10	45112GT	WASHER,SPINDLE	1
11	1258632GT	WHEEL ASSY,FOAM,12X26,NM,LF RT, Foam-filled, Non-marking, controls side (left front) (water-based foam)	1
11B	1258633GT	WHEEL ASSY,FOAM,12X26,NM,RF RT, Foam-filled, Non-marking, engine side (right front) (water-based foam)	1
11C	1258759GT	WHEEL ASSY,FOAM,12X26,NM,LF RT, Foam-filled, Non-marking, controls side (left front) (petroleum-based foam)	1
11D	1258760GT	WHEEL ASSY,FOAM,12X26,NM,RF RT, Foam-filled, Non-marking, engine side (right front) (petroleum-based foam)	1
11E		WHEEL ASSEMBLY, HI FLOAT FOAM, DC, FRONT (available soon)	2
12	45114GT	PIN,COTTER,.219 X 1.75	1
13	45113GT	NUT,SPINDLE,1-14	1
14	54959GT	CAP,DUST (54840 HUB ASSY)	1
15	54627GT	NUT,LUG,5/8-18 X 90 DEGREE,Z45	1
16	25817GT	BEARING,1.00IDX1.25ODX1.00L	5
17	148353GT	BEARING,BRZ,FL,1.25X1.50X1.1	4
18	236813GT	SCREW,SHC,1/2-13 x 2.5 ZINC	
19	229167GT	WASHER,FLAT .56 X 1.375 X .11	
20	104328GT	NUT,HEX,1/2-13 GRD 8	
21	49857GT	SCREW,HHC,3/8-16 X .88,GRD 8	16
22	131616GT	WELDMENT,KING PIN	4
23	237340GT	PIN,OSC PIVOT	1



201.1 Steer Axle Linkage, Wheels and Drive Motors

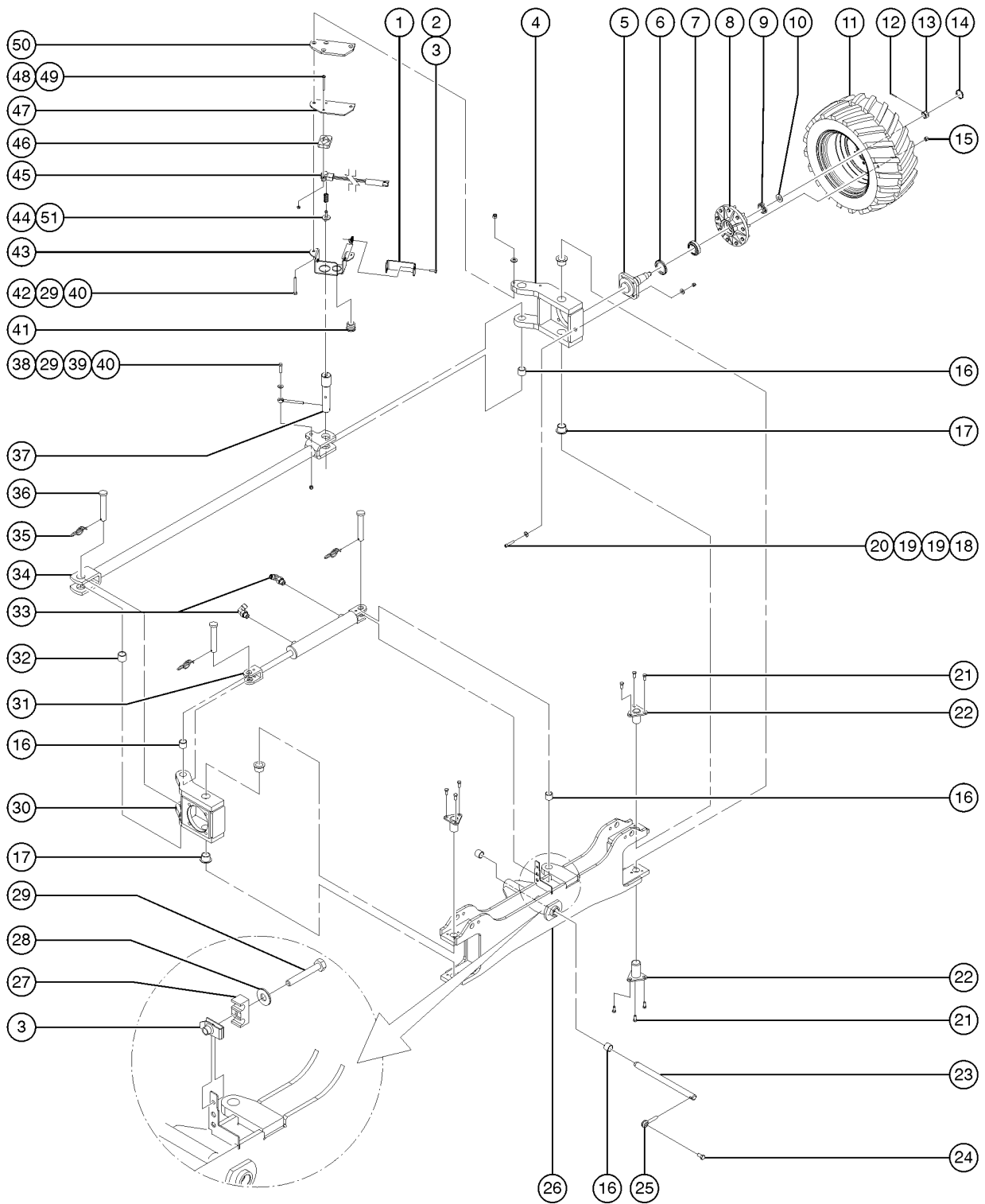


201.1 Steer Axle Linkage, Wheels and Drive Motors

Item	Part No.	Description	Qty.
24	8255GT	SCREW,HHC,3/8-16 X .75	
25	1255452GT	ROD END,.375 X 2.25,ZAG	1
26	131602GT	WELDMENT,OSC.AXLE	1
27	148396GT	CLAMP,HOSE,2X#4,GS69	1
28	6638GT	WASHER,FLAT,USS,1/4"Y	
29	6637GT	SCREW,HHC,1/4-20 X 1.75	1
30	238299GT	ASSEMBLY, STEER YOKE, RT (includes 2 each items of 17 and 1 each item 16 and 32)	1
31	89065GT	CYLINDER,STEER***	1
31-	89066GT	SEAL KIT,STEER CYL (89065)	1
32	53452GT	BEARING,1.00IDX1.50ODX1.00L	1
33	48911GT	ELBOW,90D,520220-4-6***	2
34	219356GT	WELDMENT,TIE ROD,GS69DC	1
35	74389GT	RUE RING,1.00	3
36	19440GT	PIN,CLEVIS,1 X 2.5 LG	3
37	219206GT	PIN,CLEVIS,1X5.55 LG,GS69DC	1
38	8915GT	SCREW,HHC,1/4-20 X 1.25	1
39	825020GT	ROD END,.250X2.75,ZAG	1
40	6091GT	NUT,NYLOCK,1/4-20	1
41	60746GT	BUSHING, STRAIN RELIEF, 1"	1
42	8179GT	SCREW,HHC,1/4-20 X 2.25	1
43	235662GT	FORMING, STEER SENSOR COVER, G Genie blue	1
43B	1254434GT	FORMING, STEER SENSOR COVER traffic black	1
44	110556GT	STEER SENSOR ACTUATOR,HEX	1
45	1299634GT	ASSY,STEER SENSOR,GS69,BLUE to SN 3661	1
45-	237254GT	ASSY,STEER SENSOR, GS69DC (includes steer sensor and pigtail)	1
45B	233767GT	STEER SENSOR ASSEMBLY from SN 3662 (complete assembly includes part number 237254)	1
46	219279GT	SPACER,STEER SENSOR,UHMW	1
47	235663GT	PLATE, STEER SENSOR BRACKET, G Genie blue	1



201.1 Steer Axle Linkage, Wheels and Drive Motors

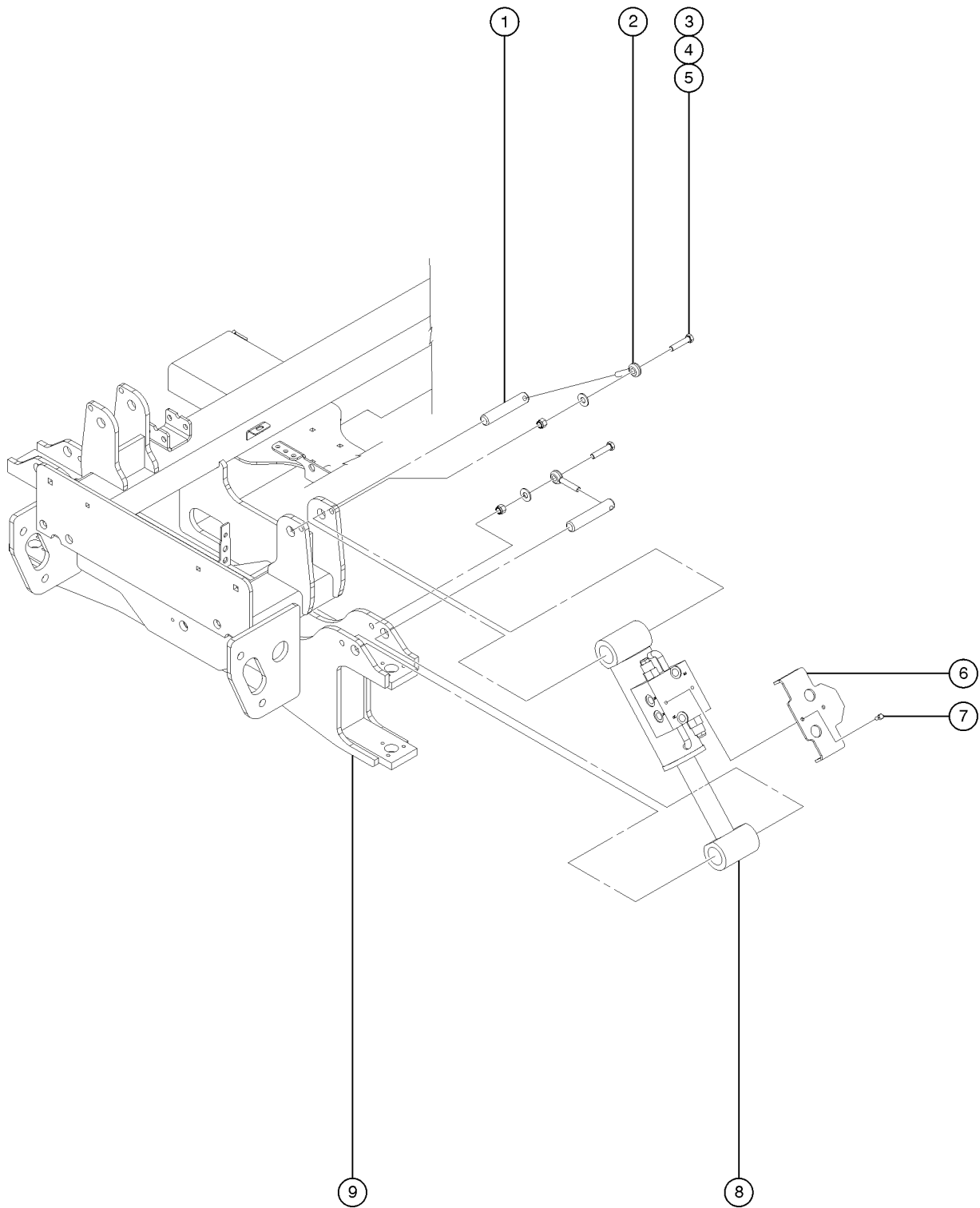


201.1 Steer Axle Linkage, Wheels and Drive Motors

<i>Item</i>	<i>Part No.</i>	<i>Description</i>	<i>Qty.</i>
47B	1254432GT	PLATE, STEER SENSOR BRACKET traffic black	
48	49775GT	SCREW,PHILLIPS,PHM,10-32X 1.75	1
49	14392GT	NUT,LP NYLOCK,10-32	1
50	232852GT	PLATE,STEER SENSOR SPACER,GS69 Genie blue	1
50B	1254433GT	PLATE,STEER SENSOR SPACER,GS69 traffic black	1
51	119910GT	SPRING,COMP,300 OD X .63LG	1



202.1 Steer Axle Linkage, Oscillation

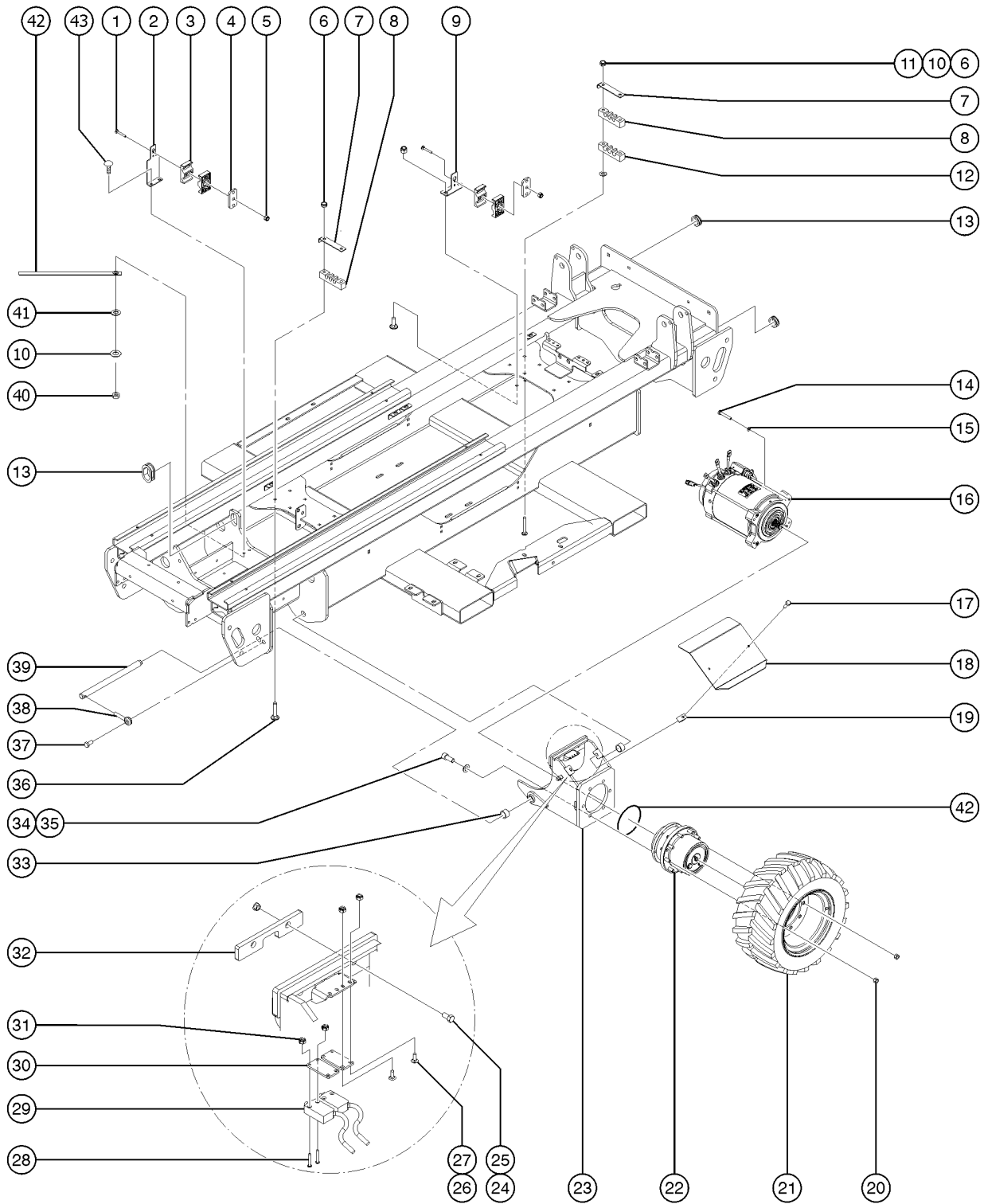


202.1 Steer Axle Linkage, Oscillation

<i>Item</i>	<i>Part No.</i>	<i>Description</i>	<i>Qty.</i>
1	67387GT	PIN,1.00DIAX5.27LG,1HOLE	4
2	1255452GT	ROD END,.375 X 2.25,ZAG	4
3	13918GT	SCREW,HHC,3/8-16 X 1.75,GRD.8	4
4	6097GT	WASHER,FLAT,USS,3/8",Y	4
5	4828GT	NUT,NYLOCK,3/8-16	4
6	148400GT	FORMING,OSC.COVER,GS69	2
7	7339GT	SCREW,HHC,1/4-20 X .5	4
8		Ref. CYLINDER, OSCILATING,GS69	
		(refer to 603.1)	
9		Ref. WELDMENT,OSC.AXLE	
		(refer to 201.1)	



203.1 Non-Steer Axle and Drive Motors

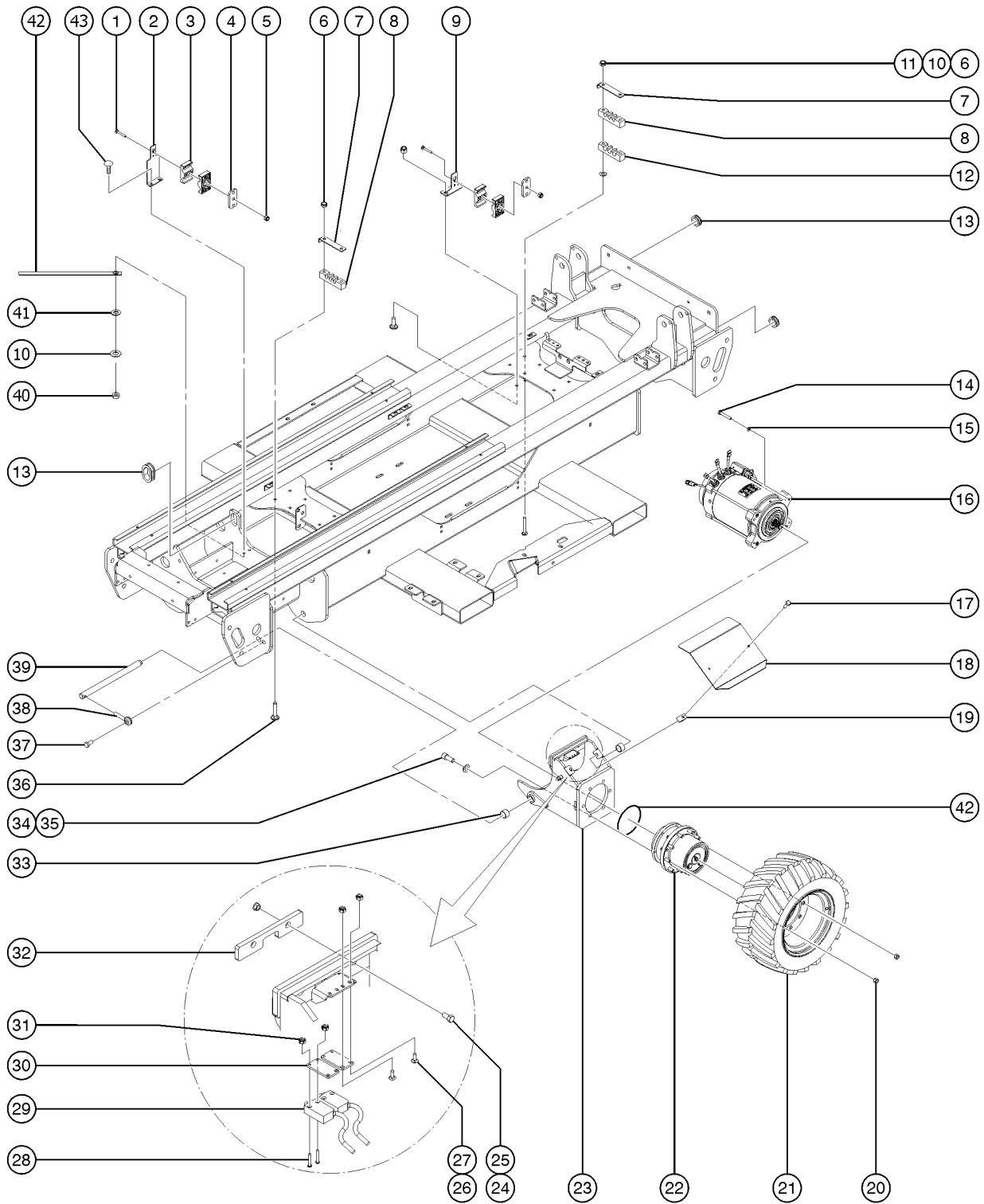


203.1 Non-Steer Axle and Drive Motors

Item	Part No.	Description	Qty.
1	73464GT	BOLT,CARRIAGE,1/4-20 X 1.75,G2	4
2	T107969GT	FORMING,REAR DRIVE HOSE CLAMP	2
3	78736GT	CLAMP,2 HOSE,PLASTIC,5/8	8
4	1254245GT	PLATE,HOSE ROUTING,BULKHEAD black	4
5	6091GT	NUT,NYLOCK,1/4-20	
6	7713GT	NUT, LP NYLOCK, 3/8-16	
7	T107978GT	FORMING,CLAMP,CHASSIS,FRONT	4
8	T109744GT	CLAMP,HOSE,FRONT,3X#4	4
9	T107936GT	FORMING,DRIVE HOSE CLAMP MOUNT	2
10	87684GT	PUSHRETAINER FOR 3/8"THR D SCREW	4
11	112476GT	BOLT,CARRIAGE,3/8-16X2.75,G5	4
12	T109745GT	CLAMP,HOSE,FRONT,2X#4,#6	2
13	T109739GT	GROMMET,RUBBER,1.75 ID	12
14	50793GT	SCREW,HHC,5/16-18 X 2	
15	6886GT	WASHER,LOCK,.313	
16	232523GT	MOTOR,DRIVE,AC,INT. BRAKE,IP67	1
17	6090GT	SCREW,HHC,1/4-20 X .75	
18	131755GT	COVER,REAR AXLE	
19	56912GT	SPRING CLIP,1/4-20,.025-.15X.5	4
20	54627GT	NUT,LUG,5/8-18 X 90 DEGREE,Z45	18
21A	1258629GT	WHEEL ASSY, FOAM,12X26,NM,RR RT, Foam-filled, Non-marking, engine side (right rear) (water-based foam)	1
21B	1258628GT	WHEEL ASSY,FOAM,12X26,NM,LR RT, Foam-filled, Non-marking, controls side (left rear) (water-based foam)	1
21C	1258754GT	WHEEL ASSY,FOAM,12X26,NM,RR RT, Foam-filled, Non-marking, engine side (right rear) (petroleum-based foam)	1
21D	1258753GT	WHEEL ASSY,FOAM,12X26,NM,LR RT, Foam-filled, Non-marking, controls side (left rear) (petroleum-based foam)	1
21E	131695GT	ASSY, HI FLOAT TIRE/WHEEL REAR	2
22	106445GT	WHEEL DRIVE,4HB,57:1***	2
22-	1286600GT	SEAL KIT,WHEEL DRIVE (106148/106445/107712) for 106445 (inventory limited to stock on hand as component is no longer available)	
22-	1286600GT	SEAL KIT,WHEEL DRIVE (106148/106445/107712) for 106445	



203.1 Non-Steer Axle and Drive Motors

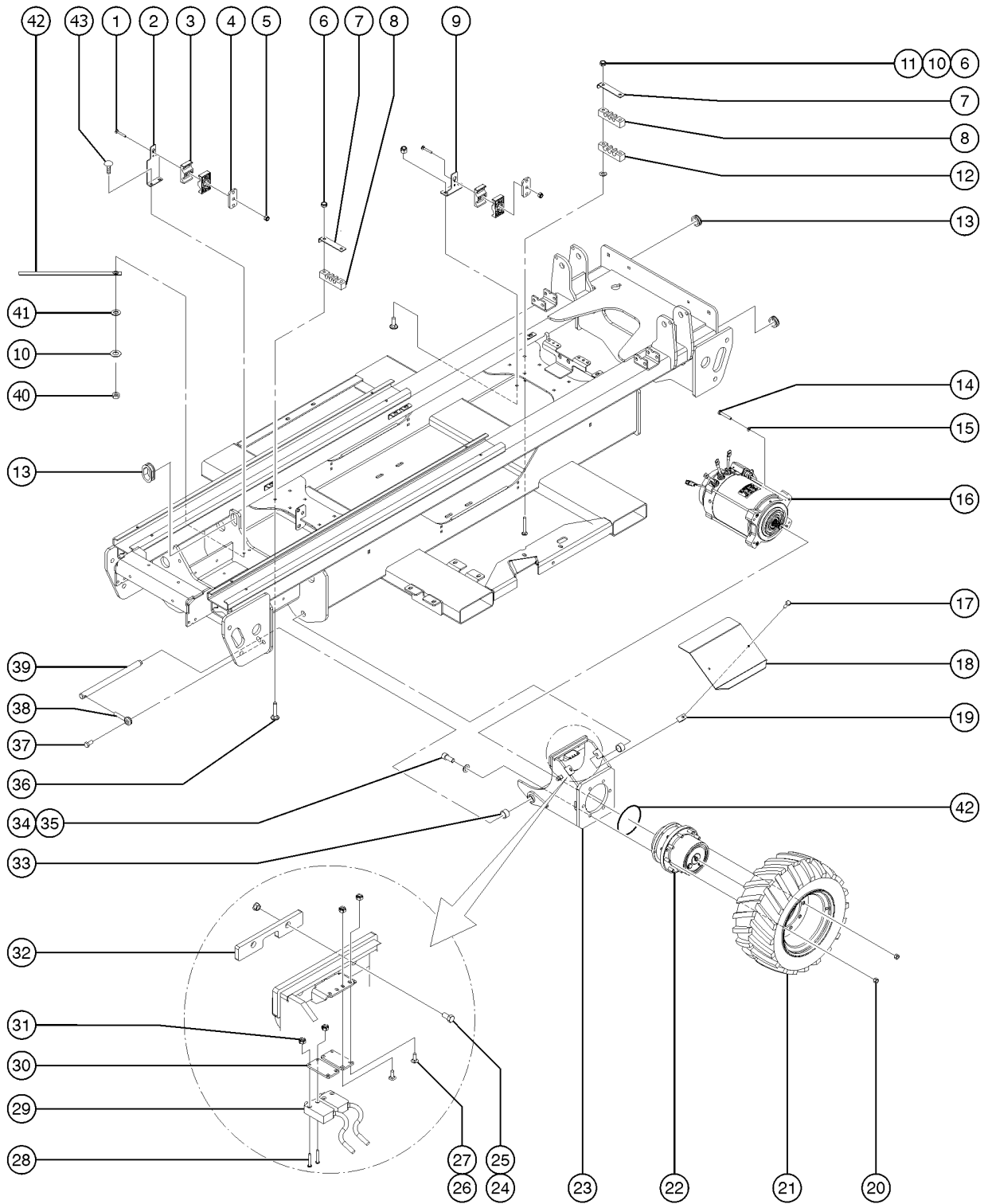


203.1 Non-Steer Axle and Drive Motors

Item	Part No.	Description	Qty.
22-	21149GT	LUG,WHEEL STUD,5/8-18,W1/4HB** for 106445	
22-	58320GT	KIT,TORQUE HUB COVER(101584)** for 106445	
22-	83092GT	SNAP RING (74097) for 106445	
22-	74714GT	BEARING KIT-74097 TORQUE HUB** for 106445 (inventory limited to stock on hand as component is no longer available)	
22-	1286601GT	BEARING KIT,WHEEL DRIVE (106148/106445/107712) for 106445	
22-	106121GT	ROD,DISCONNECT 4HP/4HB*** for 106445	
22-	106122GT	CAP,DISENGAGE,4HP/4HB*** for 106445	
22-	106123GT	O-RING,END COVER,4HP/4HB*** for 106445	
23	235377GT	SUBASSY,DC REAR AXLE includes item 33	2
24	33987GT	SCREW,HHC,1/2-13 X 1, GR 5	
25	96320GT	NUT,LOCKING-LG.FLANGE, 1/2-13	
26	1283121GT	BOLT,CARRIAGE,#10-24X 5/8",G2	
27	5365GT	NUT,NYLOCK,10-24	
28	18540GT	SCREW,RHM,8-32 X 1	
29	148236GT	SWITCH,LIMIT,PLUNGER,SMALL	4
30	131640GT	PLATE,SENSE AXLE SWITCH	4
31	18605GT	NUT,NYLOCK,8-32	
32	131639GT	PAD,SENSE AXLE REST	2
33	51474GT	BEARING,1.00IDX1.25ODX0.75L	4
34	112512GT	SCREW,SHC,5/8-11 X 1.5 NDPATCH	
35	13064GT	WASHER,FLAT,.625 HARDENED	
36	112572GT	BOLT,CARRIAGE,3/8-16X1.75	
37	8255GT	SCREW,HHC,3/8-16 X .75	
38	1255452GT	ROD END,.375 X 2.25,ZAG	2
39	237340GT	PIN,OSC PIVOT	2
40	4828GT	NUT,NYLOCK,3/8-16	
41	6097GT	WASHER,FLAT,USS,3/8",Y	
42	54436GT	GROUND STRAP,18"LG from SN GS69F-15204, for non-marking tires only	1



203.1 Non-Steer Axle and Drive Motors

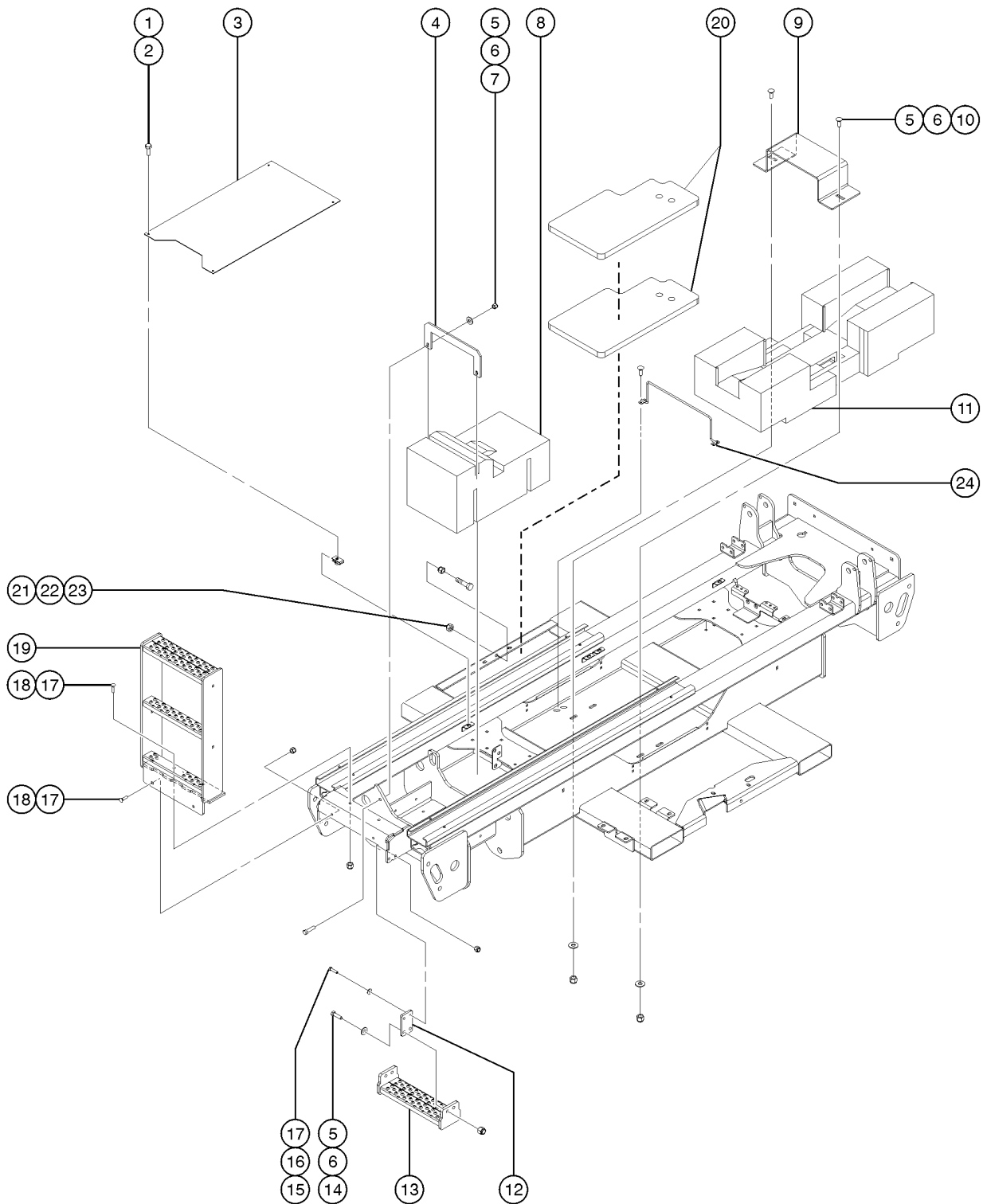


203.1 Non-Steer Axle and Drive Motors

<i>Item</i>	<i>Part No.</i>	<i>Description</i>	<i>Qty.</i>
43	105092GT	BOLT,CARRIAGE,3/8-16X1.25,GR5	



204.1 Ladder and Counterweight, GS-2669

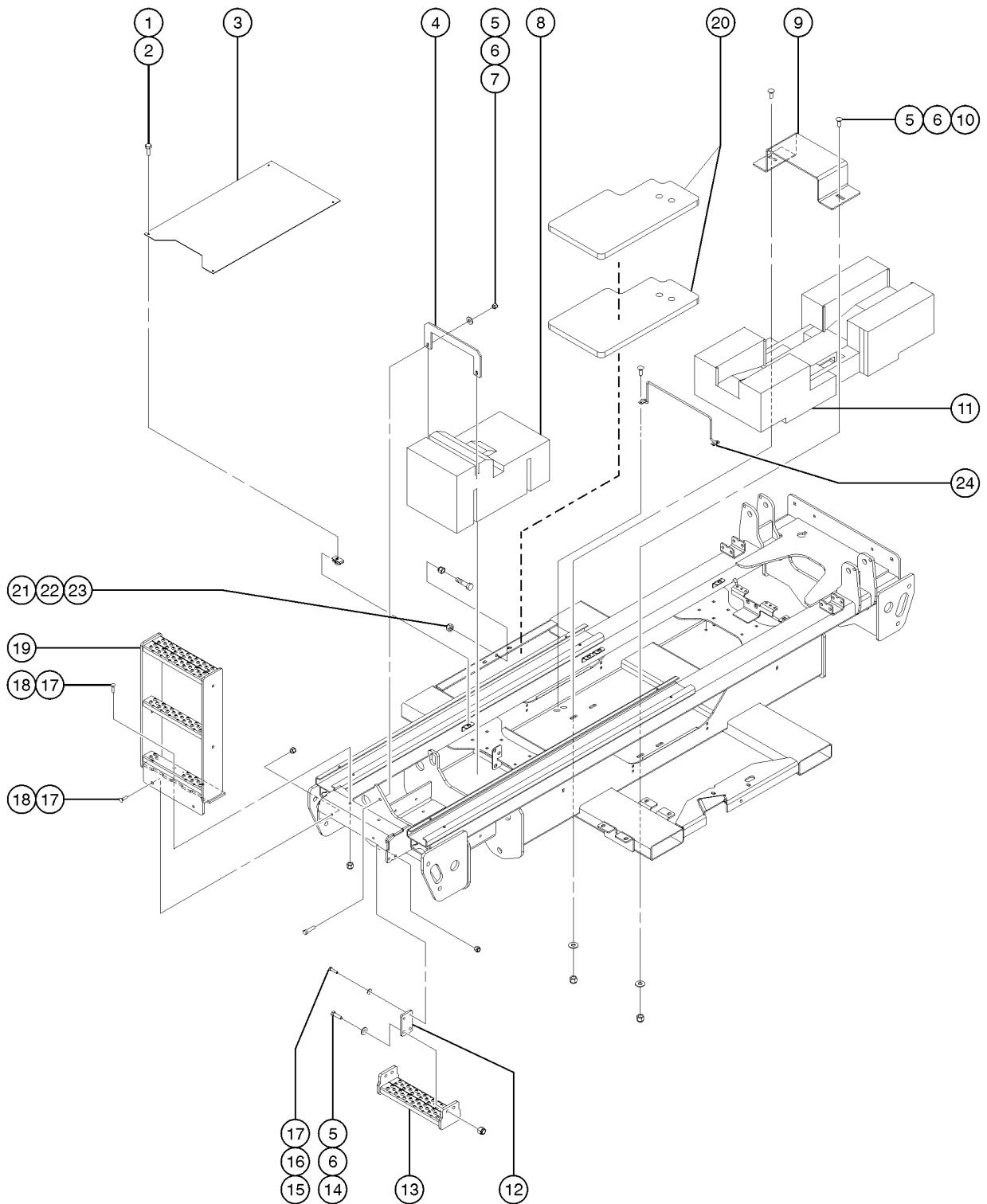


204.1 Ladder and Counterweight, GS-2669

Item	Part No.	Description	Qty.
1	6090GT	SCREW,HHC,1/4-20 X .75	8
2	56912GT	SPRING CLIP,1/4-20,.025-.15X.5	8
3	148271GT	FORMING,CHASSIS COVER	2
4	T115515GT	PLATE,REAR CW BRACKET	1
		(GS-2669 & GS-4069)	
5	6198GT	NUT,NYLOCK,1/2-13	8
6	6095GT	WASHER,FLAT,USS,1/2",Y	8
7	6096GT	SCREW,HHC,1/2-13 X 2 GR5	2
8	232537GT	CASTING,CW,REAR,4069	1
		(GS-2669 & GS-4069)	
10	96977GT	BOLT,CARRIAGE,1/2-13X1.50,GR5	2
12	148403GT	STRAP, RUBBER STEP SUPPORT	2
13	148292GT	WELDMENT,LOWER LADDER STEP	1
14	22788GT	SCREW,HHC,1/2-13 X 1.75	4
15	8516GT	SCREW, HCC, 3/8-16 X 1.50	4
16	6097GT	WASHER,FLAT,USS,3/8",Y	4
17	4828GT	NUT,NYLOCK,3/8-16	8
18	60790GT	BOLT,CARRIAGE,3/8-16 X1.50,G5	4
19A	148277GT	WELDMENT,26/32 LADDER	1
		(GS-2669 and GS-3369)(decals not included, refer to section 100)	
24	1253902GT	WELDMENT,CABLE GUIDE,SHORT	1



204.2 Ladder and Counterweight, GS-3369

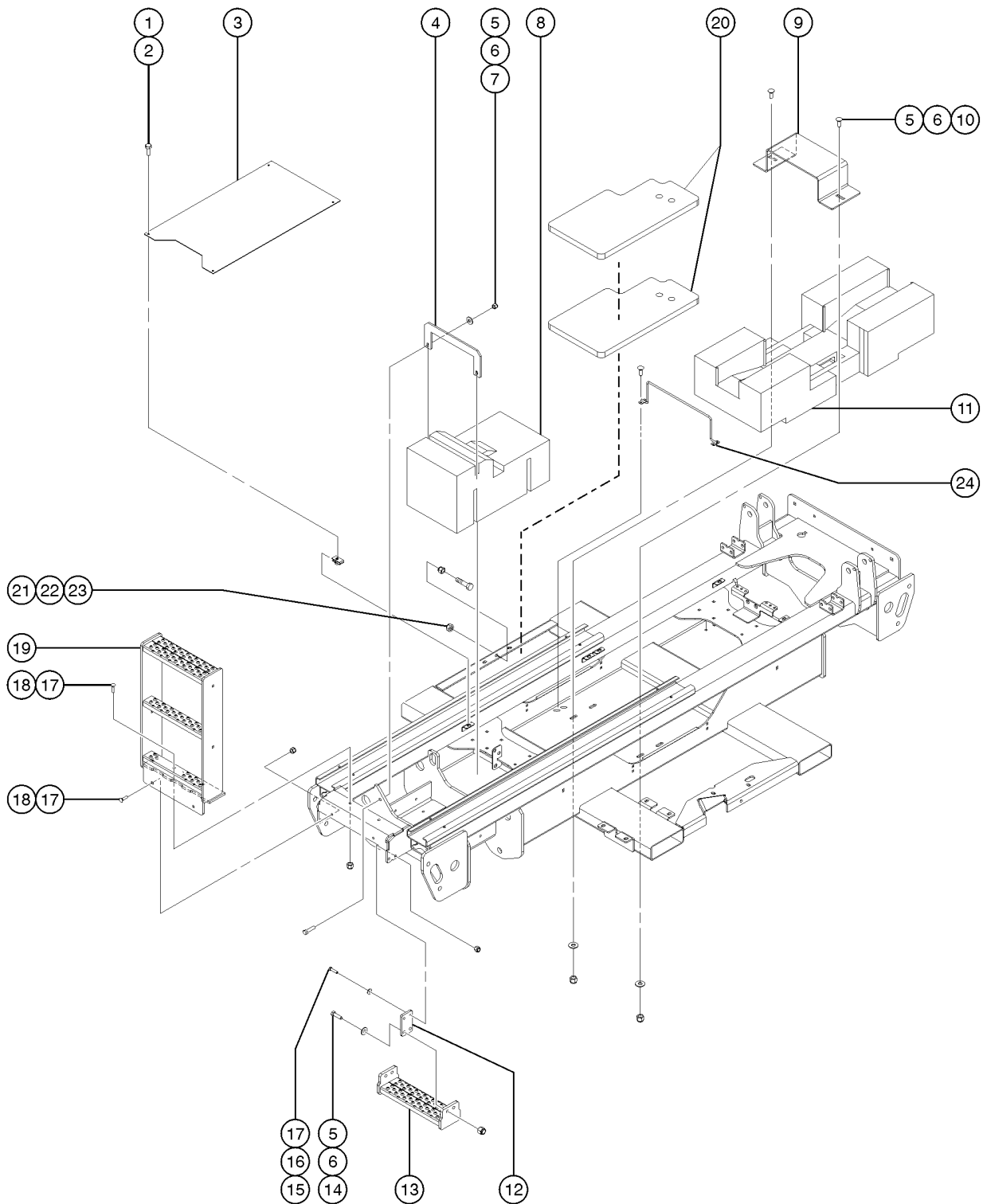


204.2 Ladder and Counterweight, GS-3369

<i>Item</i>	<i>Part No.</i>	<i>Description</i>	<i>Qty.</i>
1	6090GT	SCREW,HHC,1/4-20 X .75	8
2	56912GT	SPRING CLIP,1/4-20,.025-.15X.5	8
3	148271GT	FORMING,CHASSIS COVER	2
5	6198GT	NUT,NYLOCK,1/2-13	8
6	6095GT	WASHER,FLAT,USS,1/2",Y	8
7	6096GT	SCREW,HHC,1/2-13 X 2 GR5	2
10	96977GT	BOLT,CARRIAGE,1/2-13X1.50,GR5	2
12	148403GT	STRAP, RUBBER STEP SUPPORT	2
13	148292GT	WELDMENT,LOWER LADDER STEP	1
14	22788GT	SCREW,HHC,1/2-13 X 1.75	4
15	8516GT	SCREW, HCC, 3/8-16 X 1.50	4
16	6097GT	WASHER,FLAT,USS,3/8",Y	4
17	4828GT	NUT,NYLOCK,3/8-16	8
18	60790GT	BOLT,CARRIAGE,3/8-16 X1.50,G5	4
19A	148277GT	WELDMENT,26/32 LADDER (GS-2669 and GS-3369)(decals not included, refer to section 100)	1



204.3 Ladder and Counterweight, GS-4069

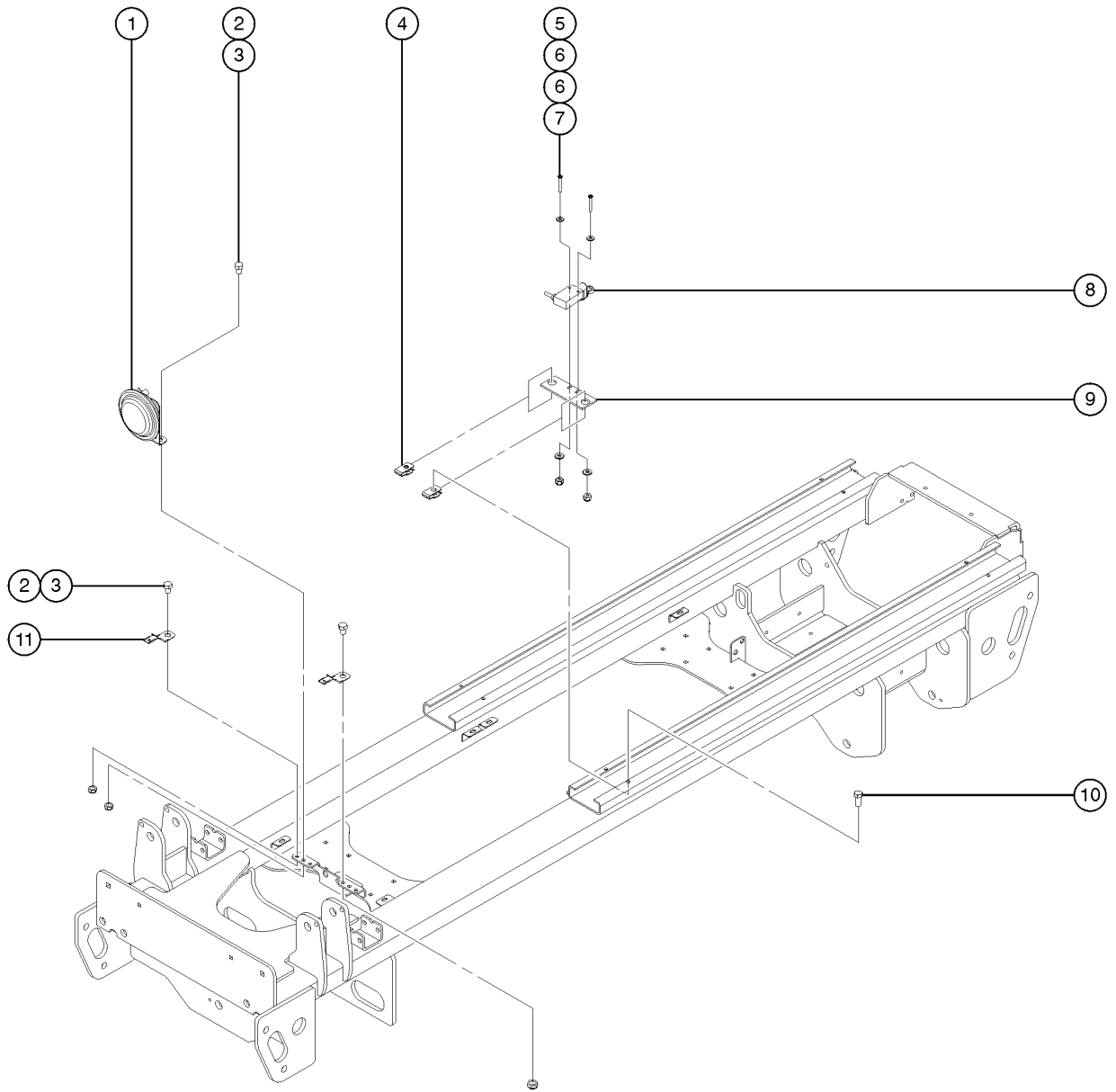


204.3 Ladder and Counterweight, GS-4069

Item	Part No.	Description	Qty.
1	6090GT	SCREW,HHC,1/4-20 X .75	8
2	56912GT	SPRING CLIP,1/4-20,.025-.15X.5	8
3	148271GT	FORMING,CHASSIS COVER	2
4	T115515GT	PLATE,REAR CW BRACKET	1
		(GS-2669 & GS-4069)	
5	6198GT	NUT,NYLOCK,1/2-13	8
6	6095GT	WASHER,FLAT,USS,1/2",Y	8
7	6096GT	SCREW,HHC,1/2-13 X 2 GR5	2
8	232537GT	CASTING,CW,REAR,4069	1
		(GS-2669 & GS-4069)	
9	T114860GT	FORMING,MID CW BRACKET	1
		(GS-4069)	
10	96977GT	BOLT,CARRIAGE,1/2-13X1.50,GR5	2
11	232536GT	CASTING,CW,MID,4069	1
		(GS-4069)	
12	148403GT	STRAP, RUBBER STEP SUPPORT	2
13	148292GT	WELDMENT,LOWER LADDER STEP	1
14	22788GT	SCREW,HHC,1/2-13 X 1.75	4
15	8516GT	SCREW, HCC, 3/8-16 X 1.50	4
16	6097GT	WASHER,FLAT,USS,3/8",Y	4
17	4828GT	NUT,NYLOCK,3/8-16	8
18	60790GT	BOLT,CARRIAGE,3/8-16 X1.50,G5	4
19B	148307GT	WELDMENT, GS4068 LADDER	1
		(GS-4069)(decals not included, refer to section 100)	
20	214212GT	PLATE,COUNTERWEIGHT,DC69	2
		(GS-4069)	
21	104235GT	SCREW,HHC,1/2-13X2.25 GRD 8	1
		(GS-4069)	
22	104328GT	NUT,HEX,1/2-13 GRD 8	1
		(GS-4069)	
23	6086GT	NUT,LP NYLOCK,1/2-13	1
		(GS-4069)	
24	1253902GT	WELDMENT,CABLE GUIDE,SHORT	1



205.1 Drive Chassis, Safety Components

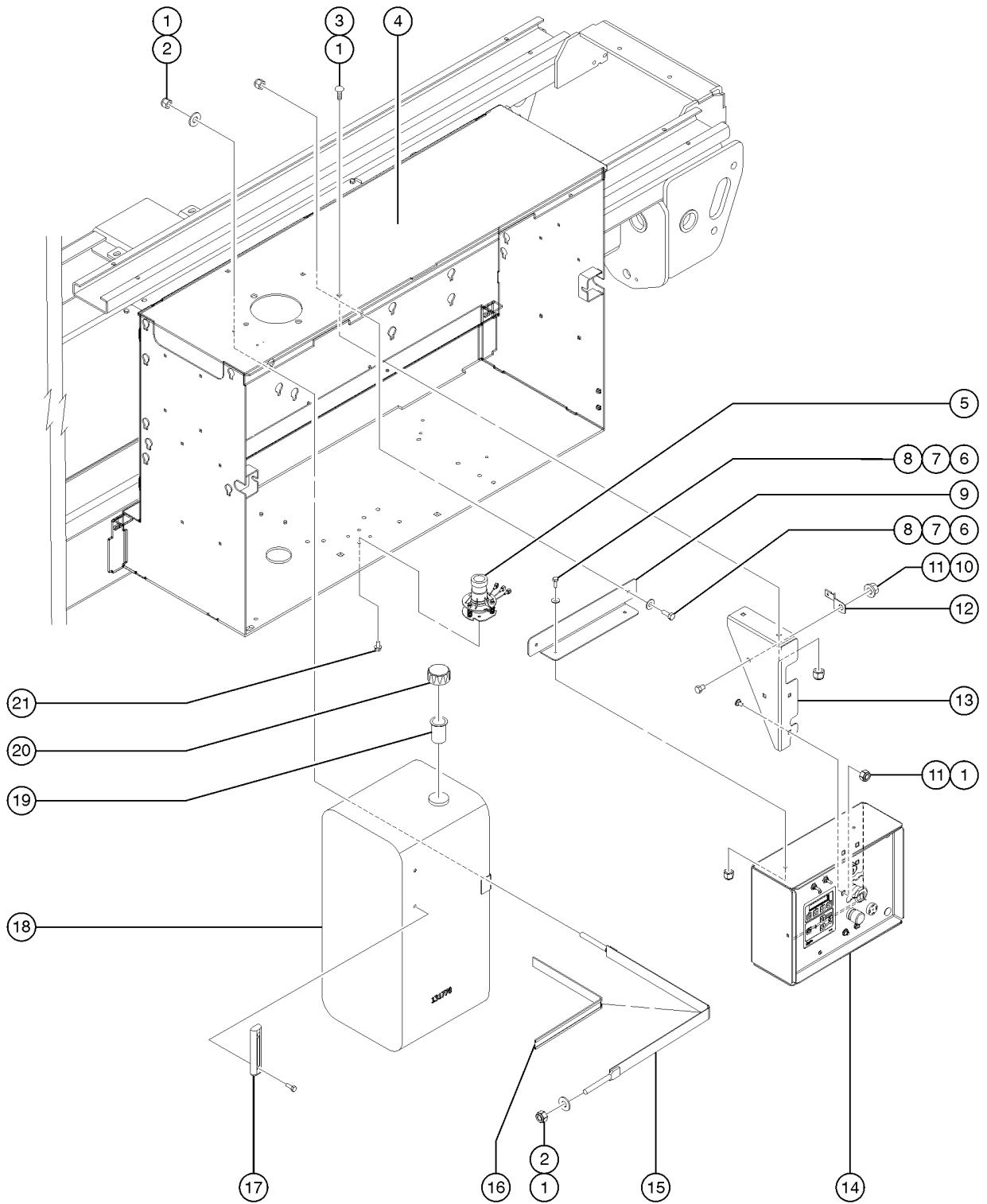


205.1 Drive Chassis, Safety Components

<i>Item</i>	<i>Part No.</i>	<i>Description</i>	<i>Qty.</i>
1	81579GT	HORN,24VDC,SPADE TERMINALS***	1
2	71508GT	SCREW, HHC, 3/8-16X .50 GR5 (YELLOW ZINC)	2
3	7713GT	NUT, LP NYLOCK, 3/8-16	2
4	4828GT	NUT,NYLOCK,3/8-16	2
5	49821GT	SCREW,PHILLIPS,PHM,8-32 X 1.25	2
6	35461GT	WASHER,FLAT,MS,#8,Y	4
7	18605GT	NUT,NYLOCK,8-32	2
8	220237GT	SWITCH,LIMIT,ZCY15 ARM	1
9	220153GT	PLATE,LIMIT SWITCH,LS	1
10	64154GT	BOLT,CARRIAGE,3/8-16 X1.00,G5	2
11	99346GT	CLIP, METAL MOUNTING	3



301.1 Hydraulic Tank and Ground Controls Installation

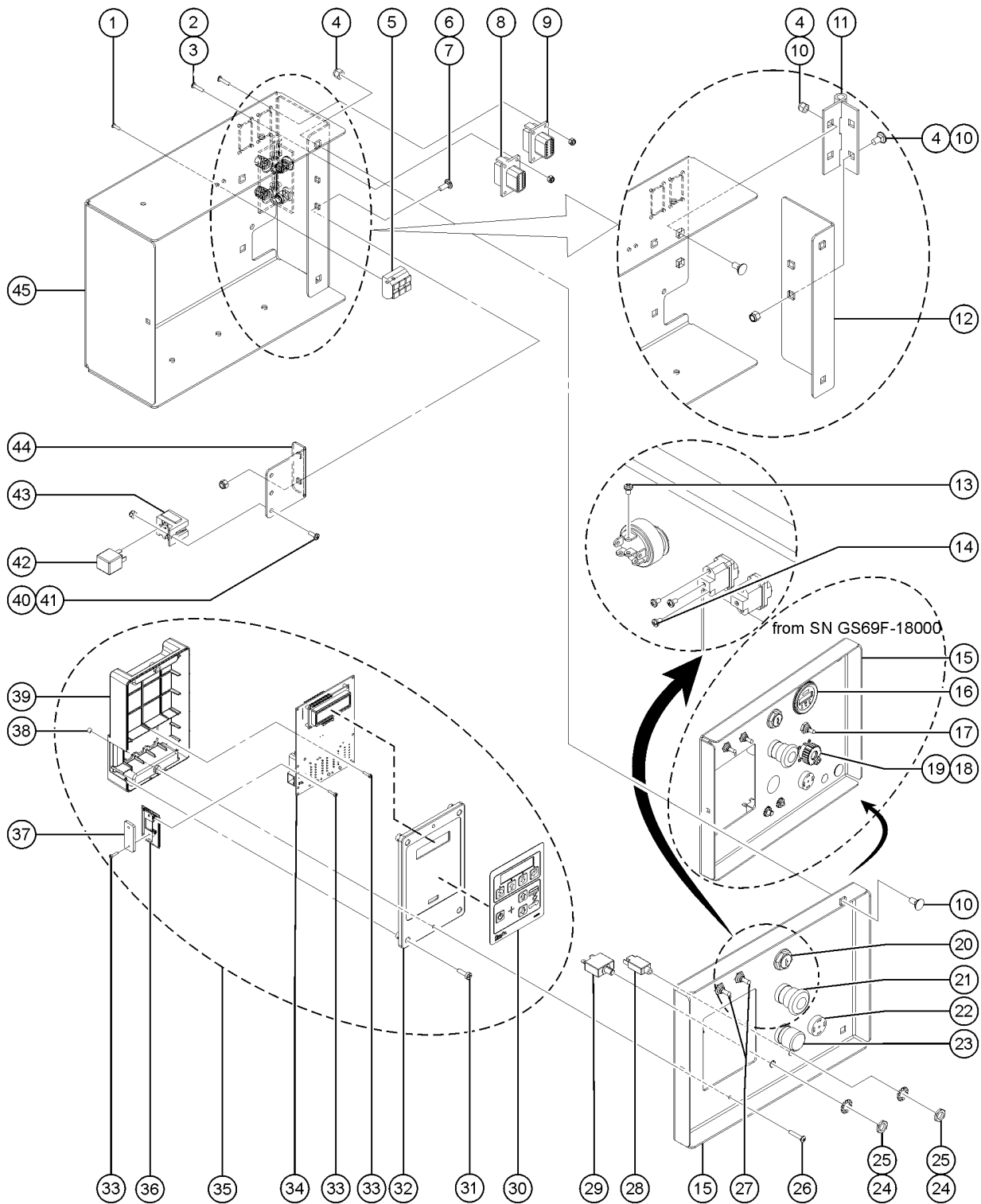


301.1 Hydraulic Tank and Ground Controls Installation

Item	Part No.	Description	Qty.
A	124449GT	TILT SENSOR TEST TOOL	1
B	1289561GT	BRACKET, TELEMATICS	
B	1289520GT	MODULE, TELEMATICS, ZTR, M7, NORTH AMERICA	
B	1289521GT	MODULE, TELEMATICS, ZTR, M7, EMEA/APAC	
		EMEA/APAC	
1	4828GT	NUT,NYLOCK,3/8-16	6
2	6097GT	WASHER,FLAT,USS,3/8",Y	2
3	64154GT	BOLT,CARRIAGE,3/8-16 X1.00,G5	1
4		Ref., WELDMENT,BOX,HYD	
		(refer to 302.1)	
5A	78674GT	LEVEL SENSOR,LS60,BLUE,2X3**	1
		(models without outriggers)	
5B	71484GT	SENSOR,LEVEL, ANALOG	1
		(models with outriggers)	
6	6090GT	SCREW,HHC,1/4-20 X .75	4
7	6638GT	WASHER,FLAT,USS,1/4"Y	4
8	6091GT	NUT,NYLOCK,1/4-20	4
9A	232549GT	FORMING, BRACKET, CONTROL BOX,	1
		(to SN GS6914-3661) (Genie blue)	
9B	1272484GT	FORMING, BRACKET, CONTROL BOX	1
		(from SN GS6914-3662) (Traffic black)	
10	48425GT	NUT,FLG-LRG,3/8-16,YZ	1
11	101718GT	BOLT,CARRIAGE,3/8-16 X .75,G2	3
12	99346GT	CLIP, METAL MOUNTING	1
13A	235397GT	FORMING,BRACE,69DC CONTROLS BO	1
		(to SN GS6914-3661) (Genie blue)	
13B	1272485GT	FORMING,BRACE,69DC CONTROLS BO	
		(from SN GS6914-3662) (Traffic black)	
14		Ref., GROUND CONTROLS	1
		(refer to 306.1)	
15	T106782GT	TANK STRAP,BOLT STYLE,HYD,GS69	1
16	31658GT	EXTRUSION,RUBBER BUMPER STRIP	20
17	215229GT	GAUGE,HYDRAULIC TANK T/L VL	1
18	T106793GT	ASSY,HYD.TANK,GS69	1
19	31506GT	STRAINER,FILLER NECK	1
20	131658GT	CAP,HYDRAULIC TANK,GS68/84/90	1
21	230850GT	SCREW, WASH HEAD, 20-9X5/8	4



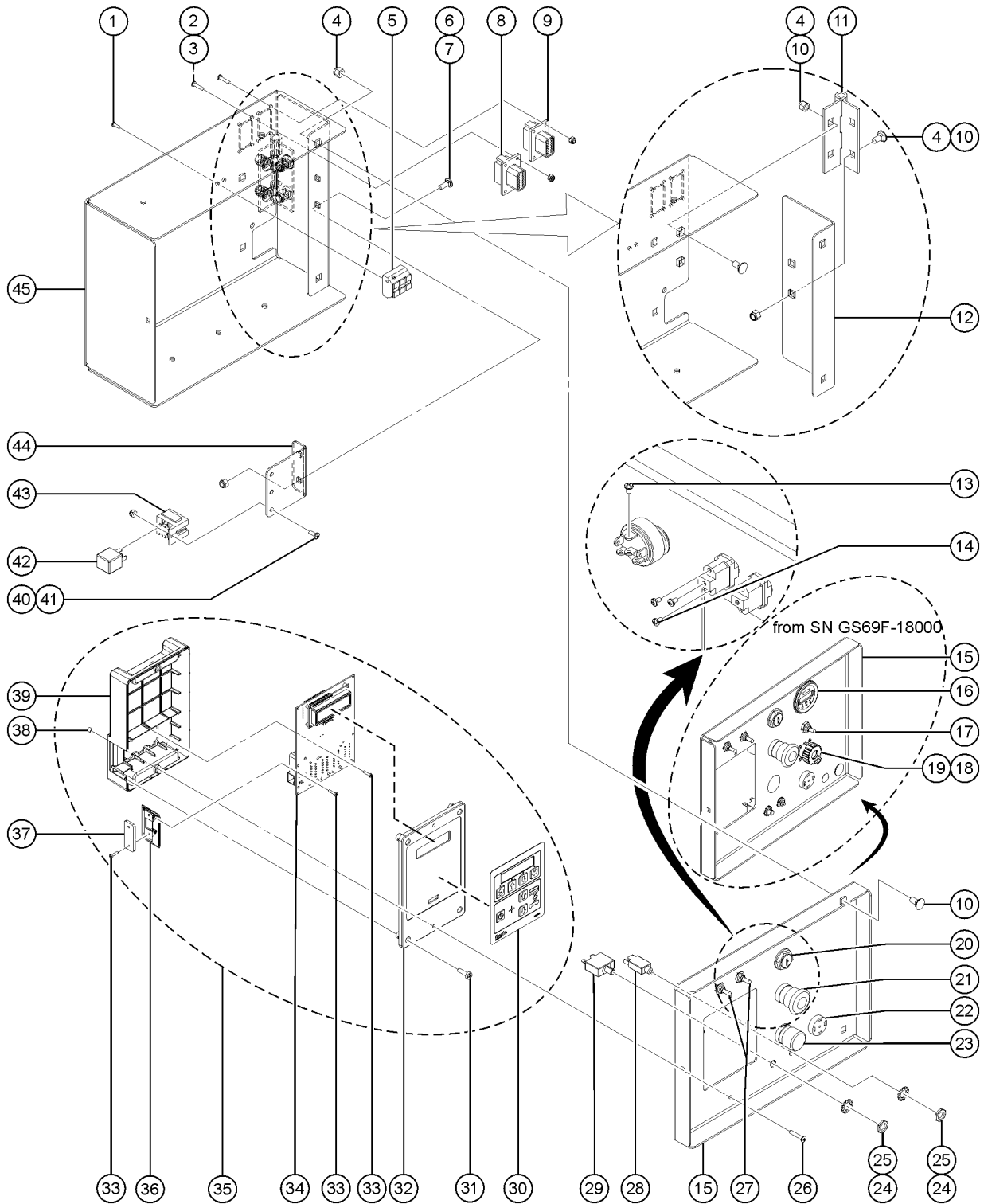
302.1 Ground Controls



Item	Part No.	Description	Qty.
1	49820GT	SCREW,PHILLIPS,PHM,6-32 X .5	2
2	45645GT	SCREW,RHM,8-32 X .75	8
3	18605GT	NUT,NYLOCK,8-32	8
4	4828GT	NUT,NYLOCK,3/8-16	6
5	214542GT	TERM BLK,3 POLE/12 POS,LCP	1
6	124580GT	BOLT,CARRIAGE,1/4X.75,G5	2
7	6091GT	NUT,NYLOCK,1/4-20	
8	73730GT	CONN,RECEP 12 WAY,GRY FLANGE	1
9	73733GT	CONN,RECEP 12 WAY,BLK FLANGE	1
10	101718GT	BOLT,CARRIAGE,3/8-16 X .75,G2	6
11	55517GT	HINGE, GSRT90 BOX	1
12	235381GT	FORMING, DOOR, BULKHEAD MOUNT (to SN GS6914-3661) (Genie blue)	1
12B	1272489GT	FORMING, DOOR, BULKHEAD MOUNT (from SN GS6914-3662) (Traffic black)	1
13	96010GT	SCREW,PHILLIPS,PHM,8-32 X.25**	6
14	128578GT	SCREW T-SWITCH PH/PH 6-32X1/4	6
15	1254591GT	FRMNG,LCP FRONT,GS69DC/BE to SN GS69F-17999	1
15-	15243GT	PLUG,NYLON .875 BLACK DOMED to SN GS69F-17999	
15B	1295451GT	FORMING, LCP FRONT, GS69 DC/BE, LS from SN GS69F-18000	1
15B-	15243GT	PLUG,NYLON .875 BLACK DOMED	
16	1266153GT	DISPLAY, 8 CHAR, 24V, CAN from SN GS69F-18000	1
17	128200GT	SWITCH TOGGLE ASSY SPDT 3P MOM from SN GS69F-18000	2
17-	128578GT	SCREW T-SWITCH PH/PH 6-32X1/4	
17-	128580GT	SWITCH TOGGLE SPDT 3P MOM SHDR	
17-	27246GT	BOOT,TOGGLE SWITCH,SHORT*	
18	1272123GT	DUST CAP, RECEPTACLE, 5 WAY, C from SN GS69F-18000	1
19	1272122GT	CONNECTOR, RECEPTACLE, 5 WAY, from SN GS69F-18000	1
20	96008-SGT	KEYSWITCH,3 POS. W/KEYS***	1
20-	37947GT	KEYS,10 PACK***	



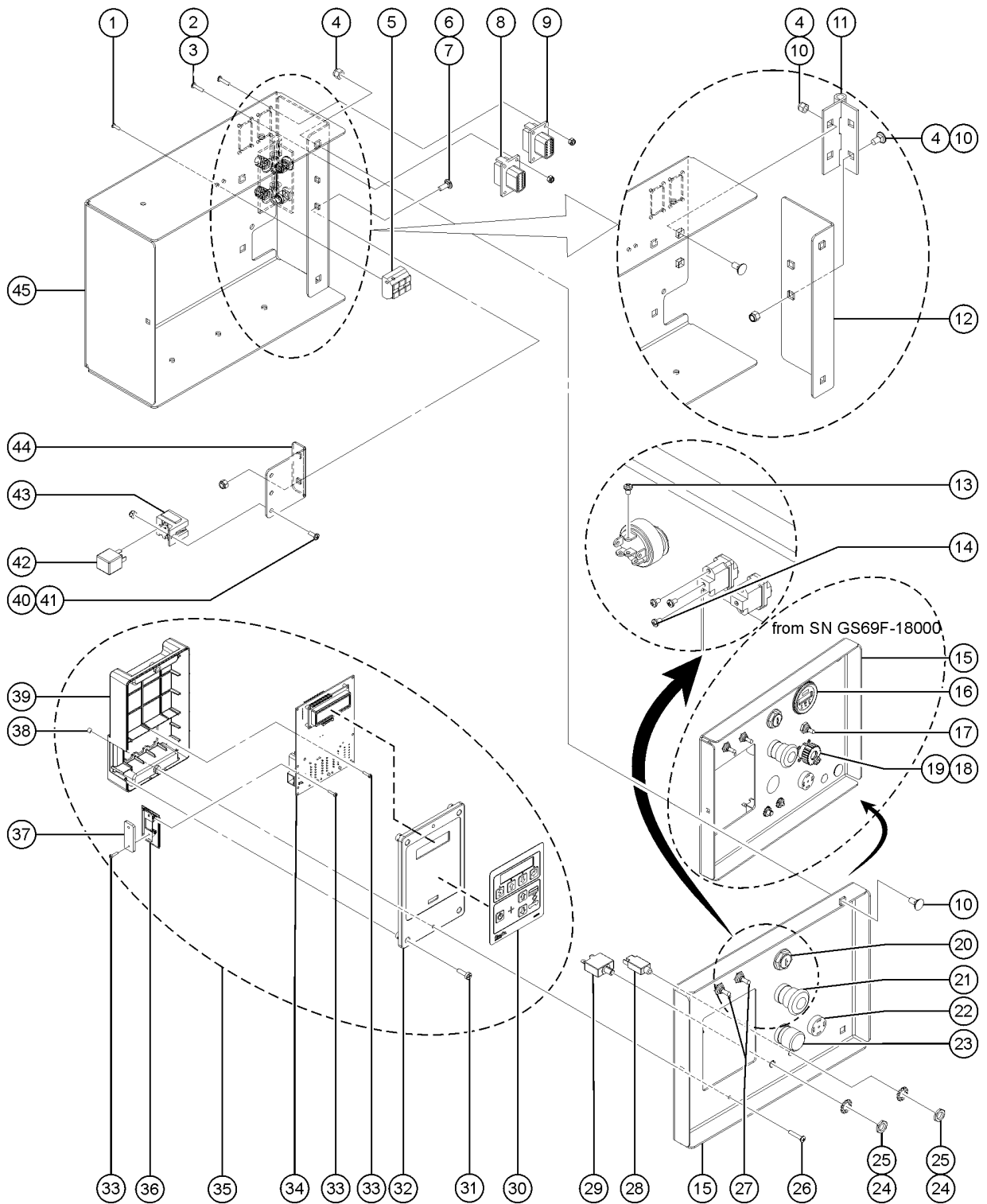
302.1 Ground Controls



Item	Part No.	Description	Qty.
20-	83093GT	KEY SINGLE***	
20-	83131GT	KEYSWITCH,3 POS W/KEYS,LOCKING	
20-	96009GT	WASHER,NITRILE to SN 12409	
20-	88827GT	GASKET,KEYSWITCH,PLASTIC*** from SN 12410	
21	66812GT	BUTTON,PUSH,RED MUSHROOM HEAD	1
21-	66818GT	CONTACT,NC	
21-	66821GT	BASE,WITHOUT CONTACTS	
22	39540GT	ALARM,STEADY TONE*** order 72326 mounting ring separately	1
22B	72326GT	BASE,W/2 NC CONTACTS*** for 39540	
23	66813GT	BUTTON,PUSH,BLACK W/SEAL***	1
23-	66816GT	CONTACT,N.O.	
23-	66821GT	BASE,WITHOUT CONTACTS	
24	122994GT	NICKEL PLATED JAM NUT	2
25	6700GT	WASHER,STAR,EXTERNAL,,375	2
26	75041GT	SCREW,PHILLIPS,PHM,10-32 X 1	2
27	128200GT	SWITCH TOGGLE ASSY SPDT 3P MOM	2
27-	128578GT	SCREW T-SWITCH PH/PH 6-32X1/4	
27-	128580GT	SWITCH TOGGLE SPDT 3P MOM SHDR	
27-	27246GT	BOOT,TOGGLE SWITCH,SHORT*	
28	1277226GT	ASSEMBLY,CIRCUIT BREAKER,15AMP	
29	96452GT	CIRCUIT BREAKER,7.0 AMP***	1
30	137562GT	DECAL,MEMBRANE, GR/GRC/GS GCON	1
31	137668GT	SCREW,PHM,6-19X.75, 48-2 TRI-L	4
32	T106366GT	ENCLOSURE,GC27-25/GC21-19,FRNT	1
33	137637GT	SCREW,PHM,4-20X.5, 48-2 TRI-L	
34	237618GT	PCBA,GCON 69 DC SL1K (standard)	1
34B	218091GT	PCBA, GC27-25 (option) (part is serialized) (for models with outriggers)	1
35	137692GT	GCON, GR/GRC/GS (standard) (part is serialized) (includes items 33 thru 37, 40 and 41)	



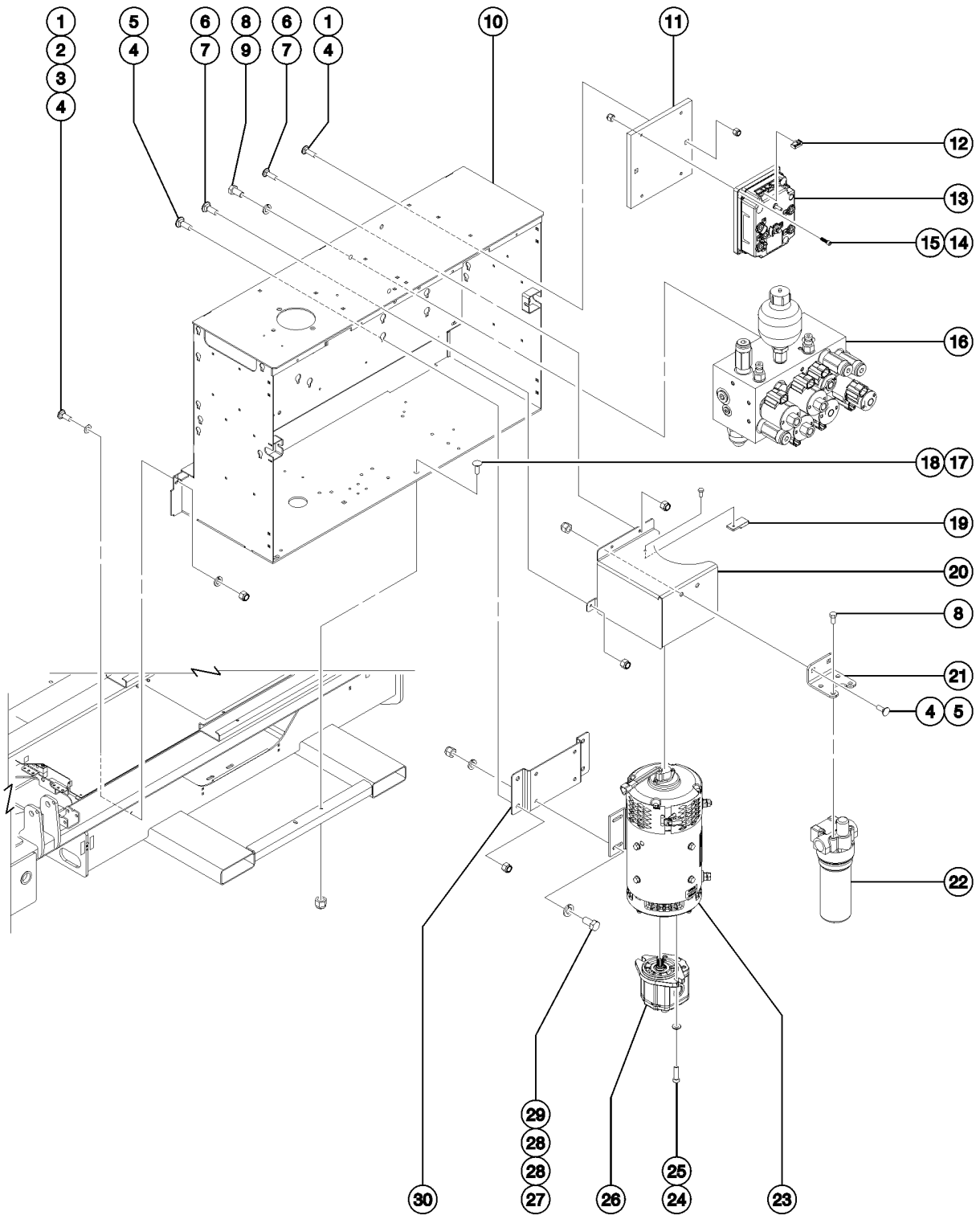
302.1 Ground Controls



Item	Part No.	Description	Qty.
35B	1256721GT	GCON,STD,PROP LIFT. (option) (for models without outriggers) ((includes items 33 thru 37, 40 and 41)	
35C	1256722GT	GCON,O/R,PROP LIFT (option) (for models with outriggers) (includes items 33 thru 37, 40 and 41)	
36	T106363GT	ADAPTER, RJ45, GC27-25/GC21-19	1
37	T106362GT	COVER, RJ45, GC27-25/GC21-19	1
38	66842GT	INSERT, 10-32 X .25	2
39	T106372GT	ENCLOSURE, GC21-19, BK	1
		(standard)	
39B	T106371GT	ENCLOSURE, GC27-25, BK	1
		(option) (for models with outriggers)	
40	49819GT	SCREW,PHILLIPS,PHM,10-32 X .5	2
41	6178GT	NUT,NYLOCK,10-32	2
42	56302GT	RELAY,24VDC,40/30A,SEALED***	2
43	34053GT	ASSY,RELAY SOCKET, AUTO	2
44	235383GT	FORMING, BRACKET, RELAY MOUNT	1
		(to SN GS6914-3661) (Genie blue)	
44B	1272490GT	FORMING, BRACKET, RELAY MOUNT	1
		(from SN GS6914-3662 to SN GS69F-17999) (Traffic black)	
44C	1295454GT	FORMING, BRACKET, RELAY MOUNT, LS	1
		from SN GS69F-18000 (Traffic black)	
45	235380GT	FORMING, BOX, CONTROL ENCLOSUR	1
		(to SN GS6914-3661) (Genie blue)	
45B	1282278GT	FORMING, BOX, CNTRL ENCLOSURE	
		(from SN GS6914-3662 (Traffic black)	



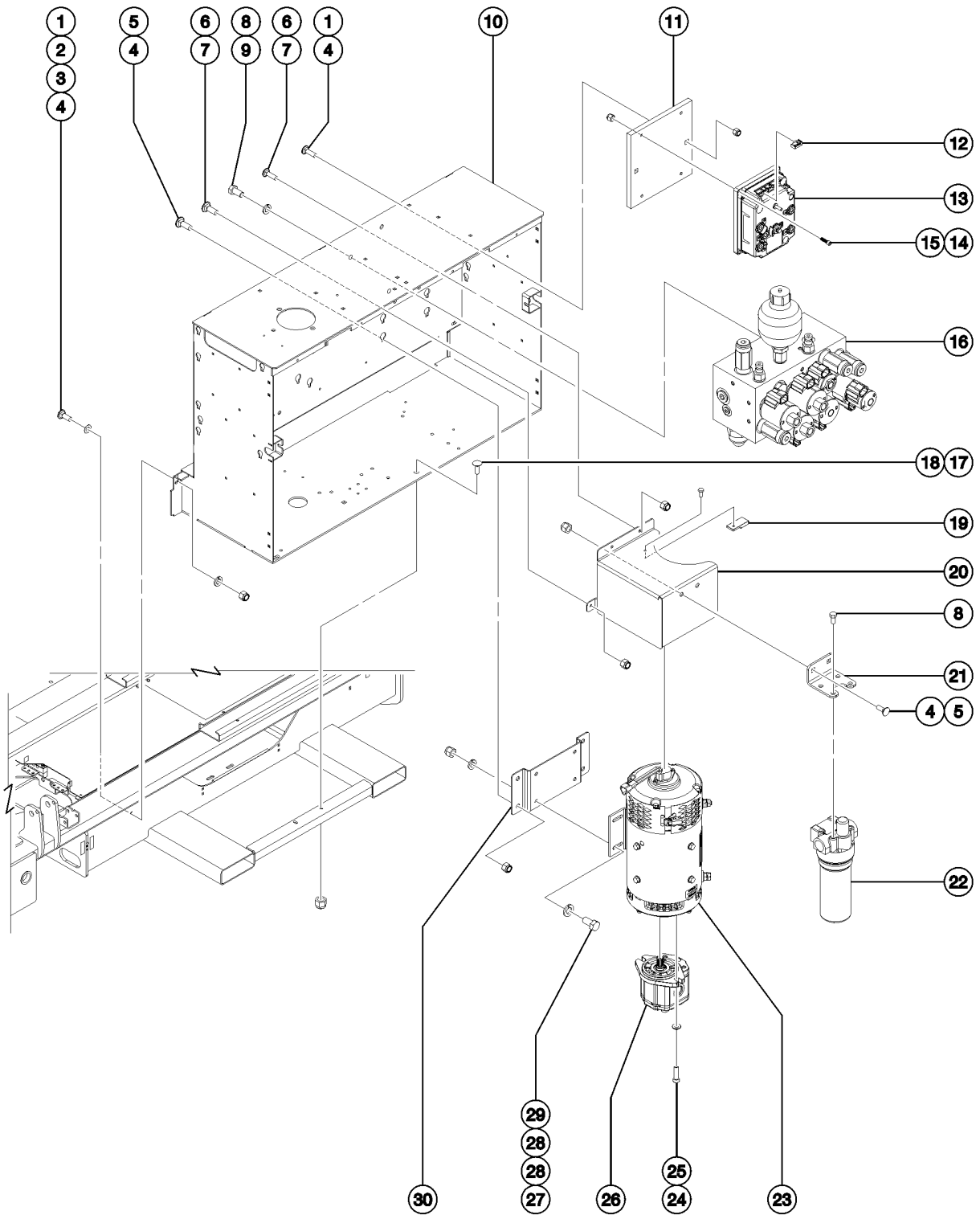
303.1 Hydraulic Tray Components, View 1



Item	Part No.	Description	Qty.
1	105092GT	BOLT,CARRIAGE,3/8-16X1.25,GR5	4
2	87684GT	PUSHRETAINER FOR 3/8"THRD SCREW	2
3	6097GT	WASHER,FLAT,USS,3/8",Y	2
4	4828GT	NUT,NYLOCK,3/8-16	10
5	64154GT	BOLT,CARRIAGE,3/8-16 X1.00,G5	6
6	6878GT	BOLT,CARRIAGE,1/4-20 X .75,G2	3
7	6091GT	NUT,NYLOCK,1/4-20	3
8	8255GT	SCREW,HHC,3/8-16 X .75	6
9	58486GT	WASHER,FLAT,3/8,HARDENED,YZ	2
10	1253426GT	WELDMENT,BOX,HYD	1
10-	215914GT	PLUG,NYLON,.391"RING	1
10-	215915GT	PLUG,NYLON,.281"RING	1
11	238382GT	PLATE, MTG, MOTOR CONTROLLER	1
12	160536GT	CONN,BLANK,L MTR CTRL,GS69DC	
13	230488GT	MOTOR CONTROLLER,48VAC,3PH	1
14	238383GT	SCREW,SHC,1/4-20 X .875	4
15	6889GT	NUT,LP NYLOCK,1/4-20	4
16		Ref., Function Manifold	
		(refer to 701.1)	
17	96203GT	BOLT,CARRIAGE,1/2-13X1.75, G5	1
18	6198GT	NUT,NYLOCK,1/2-13	1
19	T113139GT	CLIP,DTM,RECEPTACLE	1
20	1254449GT	WELDMENT,MOTOR SPRAY GUARD	1
21	71202GT	FORMING,HIGH PRESS FILTER BRKT	1
22	60334GT	FILTER ASSY,HIGH PRESS SAE-12*	1
22-	1279465GT	BACKUP RING,71.60X67.20X1.40PTFE(60334)	
22-	1279466GT	O-RING,67.95X2.62-NBR-70SH(HF2P)(60334)	
22-	60857GT	FILTER,ELEMENT,BETA(5)=1000	
22-	58380GT	FILTER INDICATOR-(60334)	



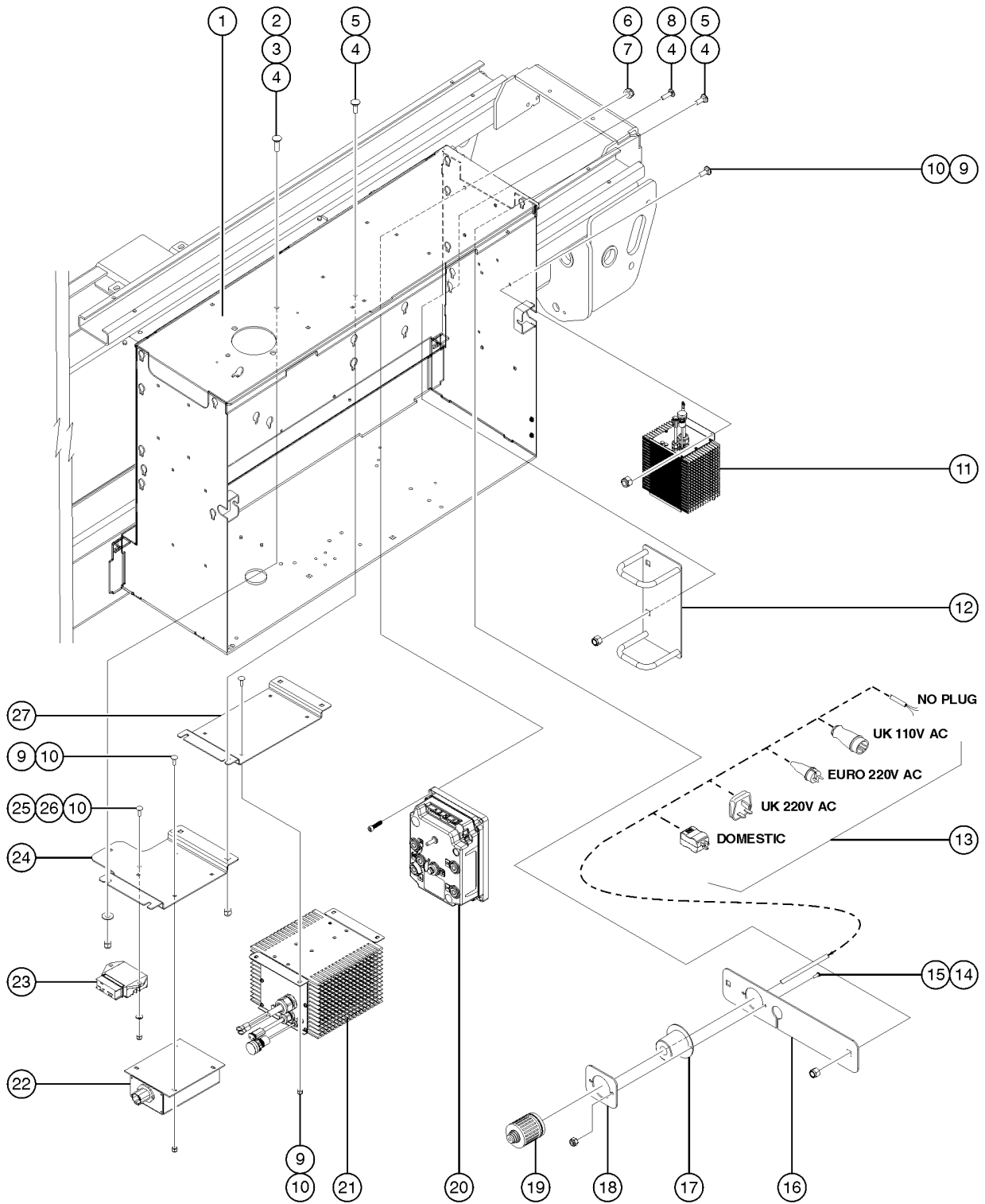
303.1 Hydraulic Tray Components, View 1



<i>Item</i>	<i>Part No.</i>	<i>Description</i>	<i>Qty.</i>
23	230485GT	MOTOR W/TACH,48VDC,12.25 HP	1
23-	128009GT	SENSOR KIT, SPEED (110573) includes sensor, magnet, and fasteners	
24	55921GT	SCREW,SHC,3/8-24 X 1.25"	2
25	22699GT	WASHER,FLAT,M10,ZINC PLTD.	2
26	214222GT	PUMP, GEAR, 6CC (to SN GS69F-17512)	1
26-	1302043GT	SEAL KIT, PUMP, 214222GT	
26B	1295542GT	PUMP, 6CC GEAR, CCW (from SN GS69F-17513)	1
26B-	233568GT	SEAL KIT,PUMP,GRH,(231572GT)	
27	13002GT	SCREW,HHC,5/16-18 X 1 GR5	4
28	5397GT	WASHER, FLAT, USS, 5/16-18	8
29	6782GT	NUT, NYLOCK, 5/16-18	4
30	236021GT	FORMING, MOTOR BRACKET	1
30-	T113787GT	RIVET,ALUM,STL.,188 X .250	1



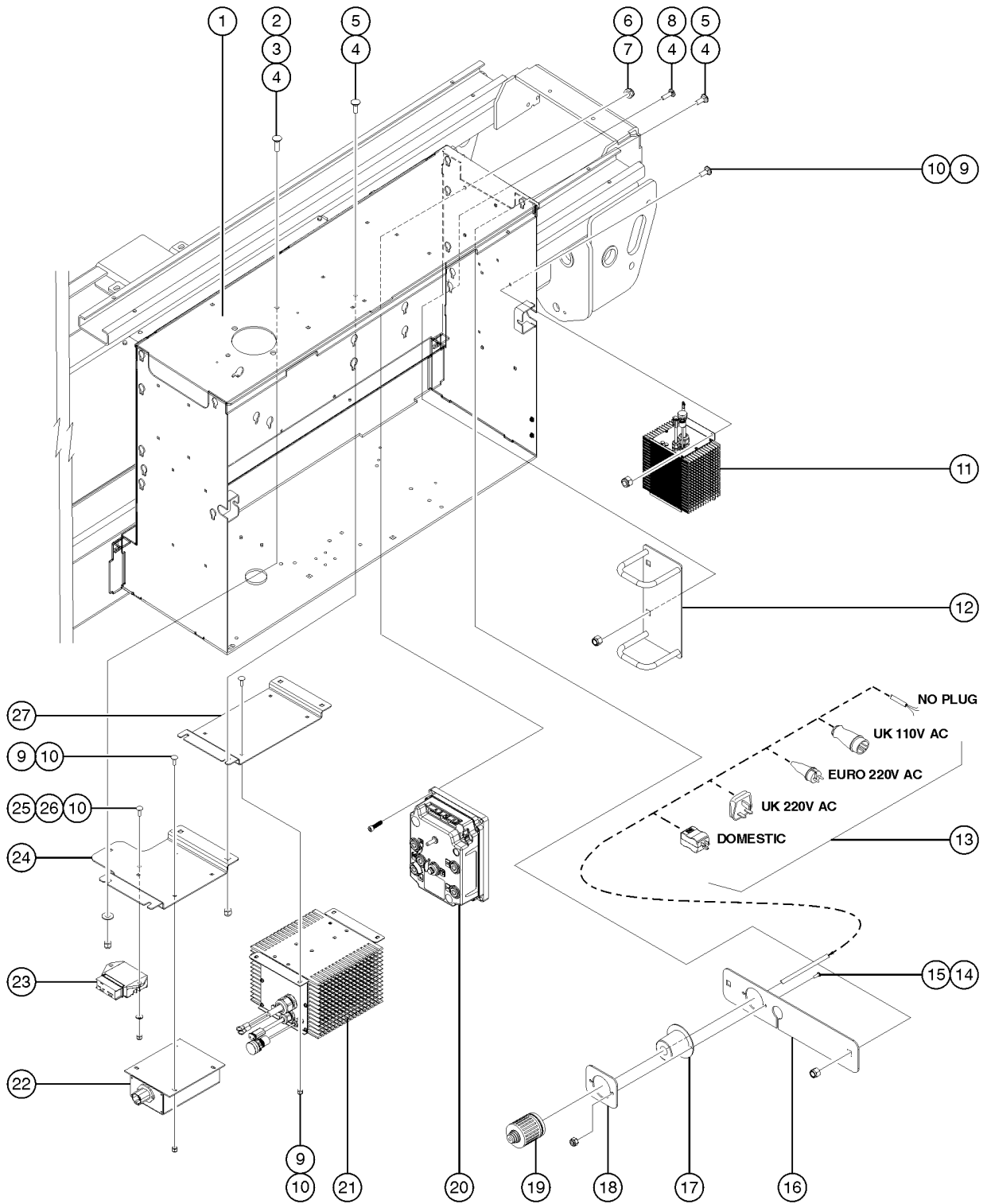
304.1 Hydraulic Tray Components, View 2



Item	Part No.	Description	Qty.
1		Ref., HYD, BOX (refer to 302.1)	
2	105092GT	BOLT,CARRIAGE,3/8-16X1.25,GR5	
3	6097GT	WASHER,FLAT,USS,3/8",Y	
4	4828GT	NUT,NYLOCK,3/8-16	
5	64154GT	BOLT,CARRIAGE,3/8-16 X1.00,G5	
6	6889GT	NUT,LP NYLOCK,1/4-20	
7	38582GT	SCREW,SHC,1/4-20 X 1	
8	101718GT	BOLT,CARRIAGE,3/8-16 X .75,G2	
9	6878GT	BOLT,CARRIAGE,1/4-20 X .75,G2	
10	6091GT	NUT,NYLOCK,1/4-20	
11	1256049GT	ASSEMBLY, CHARGER, LEAD ACID	1
12	1254430GT	WLDMNT,MTR CNTRL CABLE GUIDE	1
13A	6595GT	PLUG,ELECTRICAL,DOMESTIC (for US)	1
13B	25388GT	PLUG,FUSED,250V,13AMP,U.K.** (for UK 220)	
13B-	65737GT	FUSE,13 AMP,220V PLUG***	
13C	1280665GT	PLUG, TYPE F, 230A, 50HZ, 16A, IP44 (for EURO 220 and DIN)	
13D	144161GT	PLUG,PWR,UK,16AMP,3PIN,BLK (for UK 110)	
13E		NO PLUG Ref. No Plug - Consult Factory	
14	49826GT	SCREW,PHILLIPS,PHM,10-32 X.625	
15	6178GT	NUT,NYLOCK,10-32	
16A	235719GT	PLATE,RECESSED PLUG MOUNT,GS69 (to SN GS6914-3661) (Genie blue)	1
16B	1272486GT	PLATE,RECESSED PLUG MOUNT,GS69 (from SN GS6914-3662) (Traffic black)	1
17	105117GT	PLUG,FLG INLET,15A/125V,2PWGD	1
18A	236802GT	PLT,RECESSED PLUG BACKING, GS6 (for US 110 models)	1
18B	219058GT	PLATE,STR RELIEF BACK, DC69 (for models with UK 110, UK 220, Euro 220 and no plug)	
19	105118GT	GASKET,(BOOT) FLANGE INLET PLG	1
20		Ref., Motor Controller (refer to 302.1)	1
21	1256047GT	ASSEMBLY, CHARGER, BOOST	1



304.1 Hydraulic Tray Components, View 2

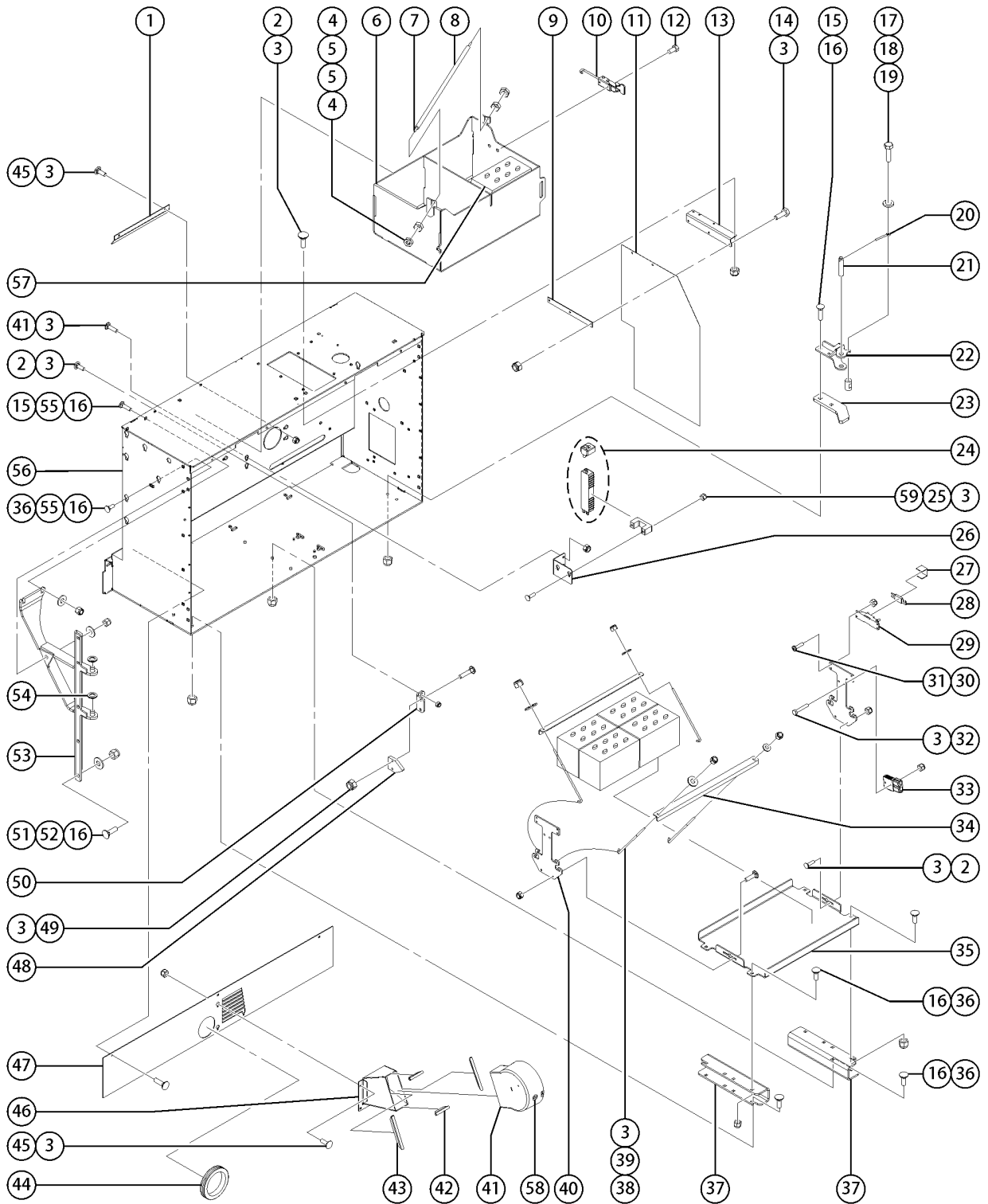


304.1 Hydraulic Tray Components, View 2

<i>Item</i>	<i>Part No.</i>	<i>Description</i>	<i>Qty.</i>
22	79452GT	CONVERTER, DC-DC, 48-26 VOLT**	1
23	826708GT	VOLTAGE REGULATOR, 69BE	1
24	826538GT	FRMG,BRKT,DC CONV MOUNT	1
25	124576GT	BOLT,CARRIAGE,1/4-20X1.00 G5	
26	33277GT	WASHER,FLAT,M8,YELLOW ZINC	
27	826444GT	FRMG,BRKT,BOOST CHRGR MOUNT	1



305.1 Engine and Battery Tray Components, View 1

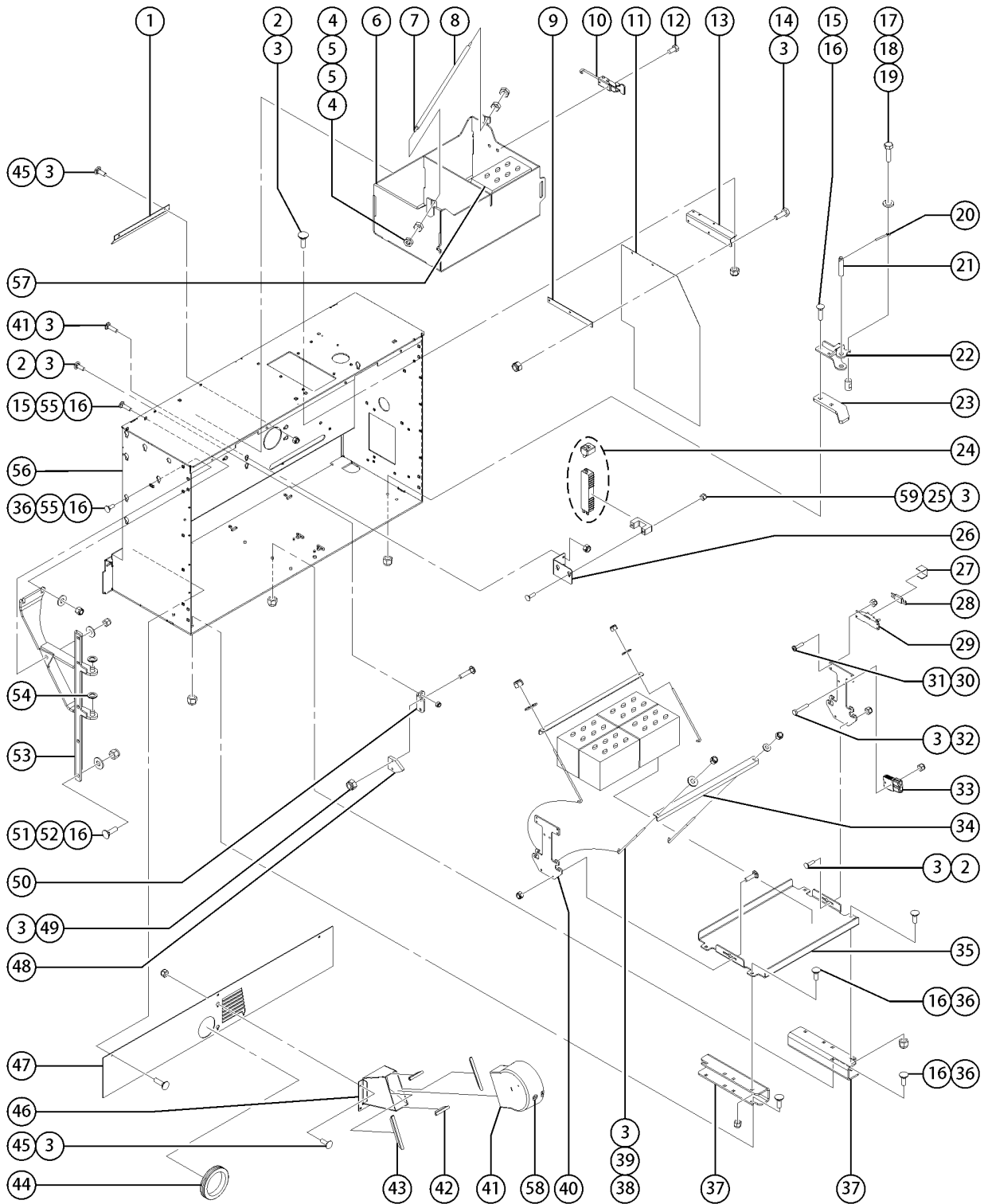


305.1 Engine and Battery Tray Components, View 1

Item	Part No.	Description	Qty.
1	822624GT	COVER, VENTILATION, ENGINE BOX	1
2	124576GT	BOLT,CARRIAGE,1/4-20X1.00 G5	6
3	6091GT	NUT,NYLOCK,1/4-20	7
4	69879GT	NUT, HEX JAM, 1/4-20	2
5	6357GT	NUT,HEX,1/4-20	2
6	160912GT	WELDMENT, BATTERY PACK	1
7	30784-2550GT	THREADED ROD,(1/4-20),25.50	1
8	823398GT	COVER, TUBE, TENSION ROD	1
9	1252755GT	PLATE, BACKING, HEAT CURTAIN	1
10	27126GT	LATCH,DRAW,ADJUSTABLE	1
11	825547GT	HEAT CURTAIN, ENGINE BAY	1
12	7339GT	SCREW,HHC,1/4-20 X .5	2
13	825546GT	FORMING, HEAT CURTAIN	1
14	6090GT	SCREW,HHC,1/4-20 X .75	2
15	60790GT	BOLT,CARRIAGE,3/8-16 X1.50,G5	2
16	4828GT	NUT,NYLOCK,3/8-16	2
17	6888GT	SCREW,HHC,1/4-20 X 1	1
18	6356GT	WASHER,LOCK,.25	1
19	219705GT	BOSS, ENGINE TRAY STOP	1
20	825020GT	ROD END,.250X2.75,ZAG	1
21	1252770GT	PIN,0.75DIAX3.6LG,CHAMFER	1
22	160915GT	WELDMENT, ENGINE TRAY ARM	1
23	219639GT	PLATE, SPACER, TRAY ARM	1
24	824954GT	MODULE, CURRENT MEASUREMENT State of Charge (SOC) Monitor	1
25	1259176GT	CLAMP, ACUITY MODULE	1
		(replaced 32339)	
26	824955GT	FORMING, ACUITY MODULE	1
27	825200GT	KIT, ANN FUSE COVER/BOOTS	1
28	215488GT	FUSE,325 AMP,VERY FAST ACTING	1



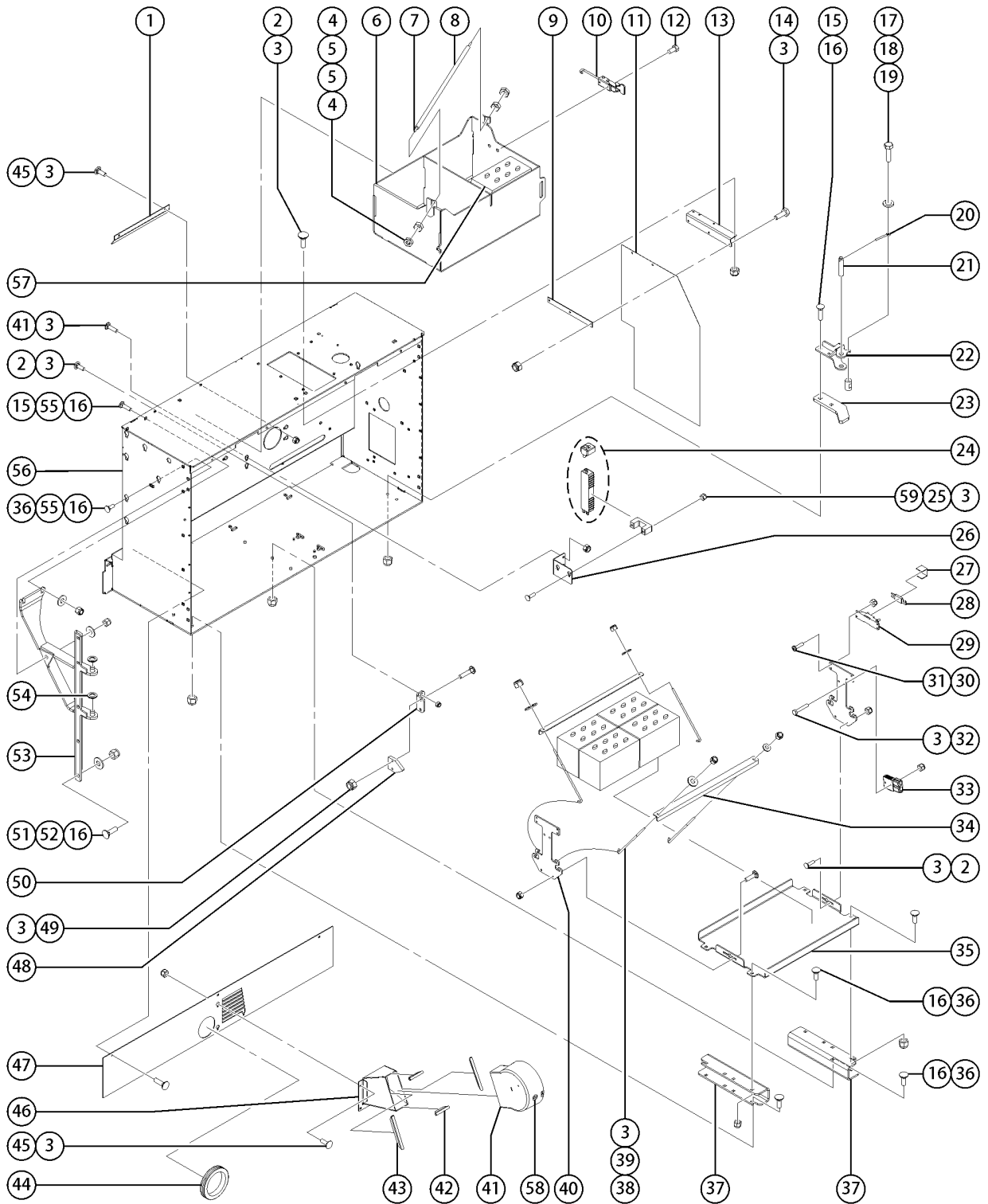
305.1 Engine and Battery Tray Components, View 1



Item	Part No.	Description	Qty.
29	825199GT	FUSE HOLDER, ANNRING	1
30	49816GT	SCREW,PHILLIPS,PHM,10-32 X .75	4
31	6178GT	NUT,NYLOCK,10-32	4
32	6145GT	SCREW,HHC,1/4-20 X 1.5	2
33	66397GT	QUICK DISCONNECT CASING,BATT**	1
34	219553GT	FORMING, BATTERY HOLDER	2
35	219552GT	FORMING, BATTERY TRAY	1
36	64154GT	BOLT,CARRIAGE,3/8-16 X1.00,G5	7
37	219551GT	FORMING, BATT. TRAY SUPPORT	2
38	824632GT	HOOK, BATTERY HOLD DOWN, 9.25"	4
39	6638GT	WASHER,FLAT,USS,1/4"Y	4
40	823726GT	PLATE, BATTERY HOOK	2
41		Ref: COVER, INTAKE, GENERATOR (refer to 401.1)	1
42	1251517GT	TRIMLOK, GEN INFLOW SEAL, TOP	2
43	1251513GT	TRIMLOK, GEN INFLOW SEAL	2
44	55067GT	GROMMET,RUBBER 3 X .19 X 3.5	1
45	6878GT	BOLT,CARRIAGE,1/4-20 X .75,G2	3
46	825715GT	WELDMENT, GEN INFLOW	1
47	822630GT	PLATE,SOUND WALL	1
48	219634GT	RAMP, BATTERY BOX	1
49	9116GT	BOLT,CARRIAGE,1/4-20 X 1.25,G2	2
50	219633GT	FORMING, BATT BOX RAMP	1
51	105092GT	BOLT,CARRIAGE,3/8-16X1.25,GR5	4
52	5397GT	WASHER, FLAT, USS, 5/16-18	3
53	160918GT	WELDMENT, BATTERY TRAY SUPPORT	1
54	33278GT	WASHER,FLAT,.75 HARDENED	2
55	6097GT	WASHER,FLAT,USS,3/8",Y	
56	160910GT	WELDMENT, HYBRID BOX, GS69	1



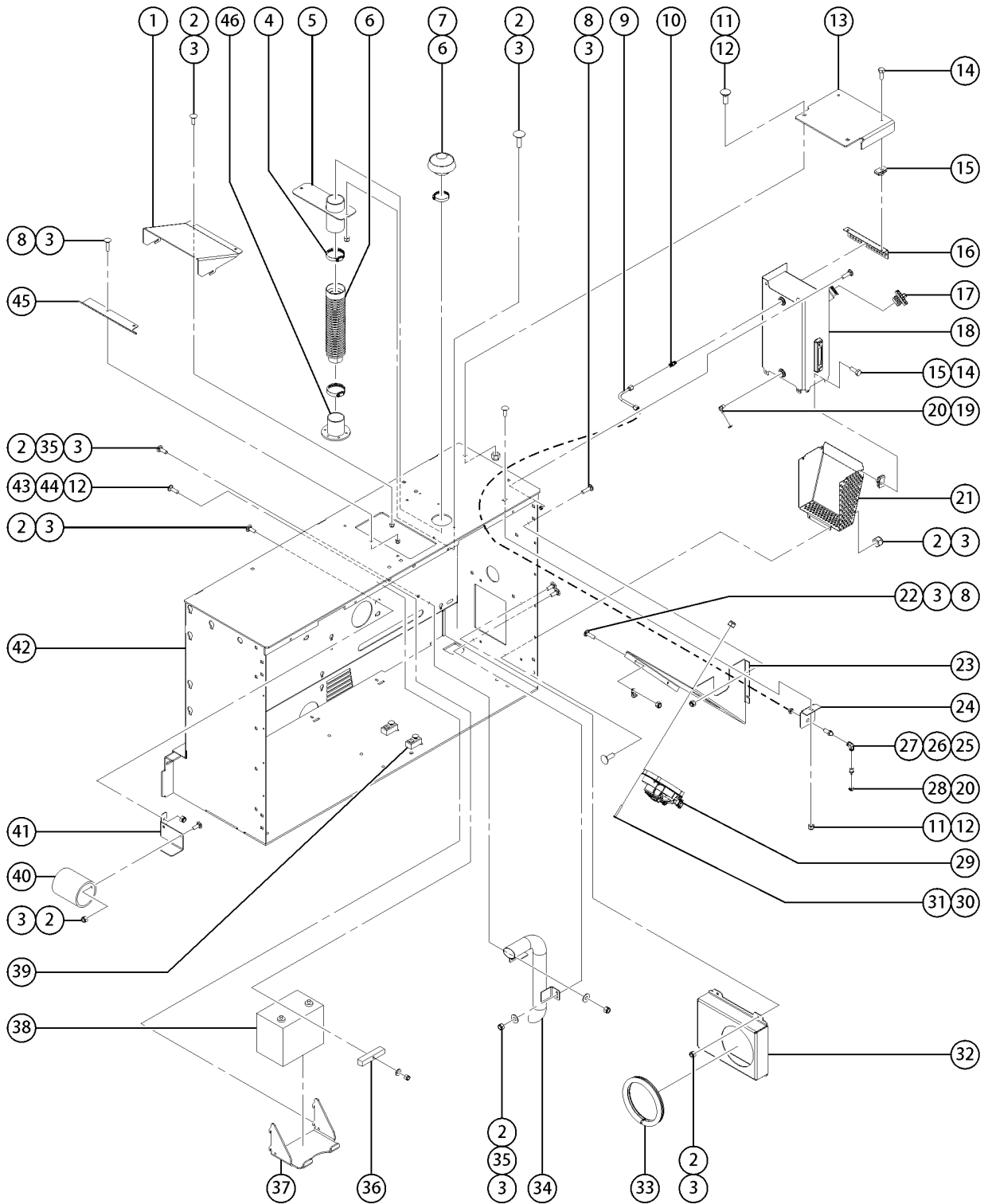
305.1 Engine and Battery Tray Components, View 1



<i>Item</i>	<i>Part No.</i>	<i>Description</i>	<i>Qty.</i>
56-	45384GT	PLUG,NYLON .50 BLACK DOMED	1
57A	76502GT	BATTERY,T105 W/LPT,3 CAP,DRY** (GS-2669 & GS-3369 models only)	8
57A-	137770GT	BATTERY WATERING KIT,24V UNIV (to watch the installation video, copy and paste this link to your web browser) https://www.youtube.com/watch?v=13zTfl-hWik	2
57A-	137769GT	BATTERY WATERING HAND PUMP	
57B	76503GT	BATTERY,T145 W/LPT,3 CAP,DRY** (all models)	8
57B-	137770GT	BATTERY WATERING KIT,24V UNIV (to watch the installation video, copy and paste this link to your web browser) https://www.youtube.com/watch?v=13zTfl-hWik	2
57B-	137769GT	BATTERY WATERING HAND PUMP	
58A	1253458GT	CIRCUIT BREAKER, 25A (110V generator)	1
58B	1256324GT	CIRCUIT BREAKER,10A (220V generator)	1
59	1252791GT	BOLT,CARRIAGE,1/4-20 X 2.25,G5	2



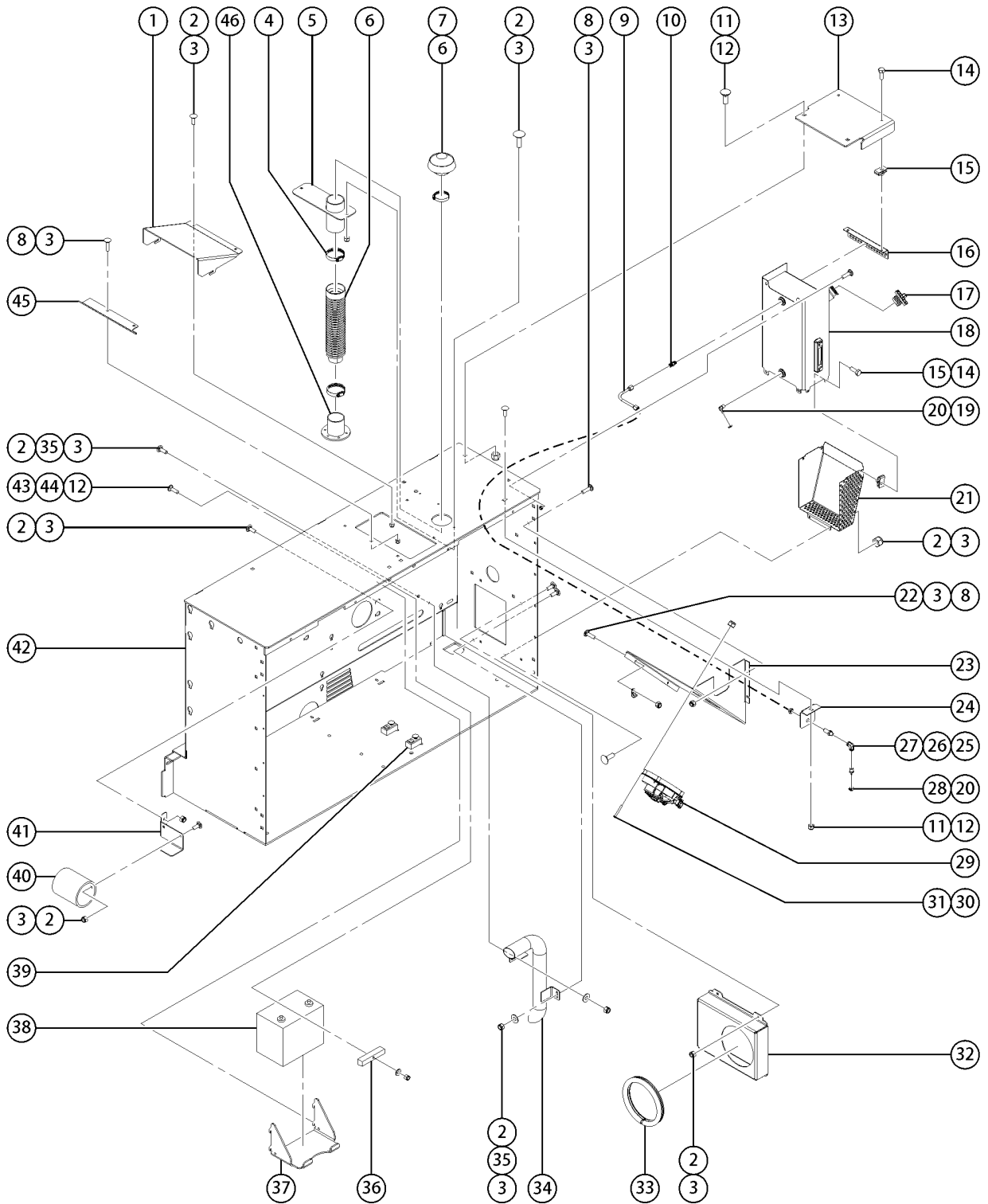
306.1 Engine and Battery Tray Components, View 2



Item	Part No.	Description	Qty.
1	825426GT	FORMING, HOOD, TOP VENT	1
2	6878GT	BOLT,CARRIAGE,1/4-20 X .75,G2	2
3	6091GT	NUT,NYLOCK,1/4-20	6
4	45435GT	CLAMP,HOSE,2.50****	1
5	826450GT	WELDMENT, RAIN CAP MNT, KOHLER	1
6	131372GT	HOSE,1.75ID,2.50IDX12.0"	2
		(air intake to engine)	
7	52420GT	CAP,RAIN,AIR CLEANER, GS68RT**	1
8	124576GT	BOLT,CARRIAGE,1/4-20X1.00 G5	4
9	823400GT	FUEL LINE, DIESEL, HYBRID	1
10	824666GT	FITTING,STR, 070102 6-1/4NPT	1
11	64154GT	BOLT,CARRIAGE,3/8-16 X1.00,G5	2
12	4828GT	NUT,NYLOCK,3/8-16	2
13	826006GT	FORMING, BATT / ENGINE BOX EXT	1
14	6090GT	SCREW,HHC,1/4-20 X .75	2
15	56912GT	SPRING CLIP,1/4-20,.025-.15X.5	2
16	825477GT	FORMING, FUEL TANK COVER	1
17	T112457GT	CAP,FUEL,DIESEL,SAE-J NECK	1
18	825475GT	TANK, FUEL, RT69BE	1
18-	1257833GT	GAUGE, FUEL TANK	1
18-	35418GT	HOSE,FUEL,3/16,SAE 30R7	
		(not included, sold separately)	
19	54204GT	ELBOW,90DEG.1/4MPT-1/4 BARB	1
20	44909GT	CLAMP,HOSE,.25	1
21	825476GT	FORMING, INTAKE GRILL	1
22	6833GT	CLAMP,0.50,#8 X 1/4,RUB CUSH	1
23	825676GT	FORMING, FAN DUCT	1
24	825741GT	FORMING, FUEL RETURN BULKHEAD	1
25	1252753GT	FITTING,UNION ELBOW,1/4NPT	1
26	825742GT	ADAPTER, WFTX, 6-1/4NPT	1



306.1 Engine and Battery Tray Components, View 2

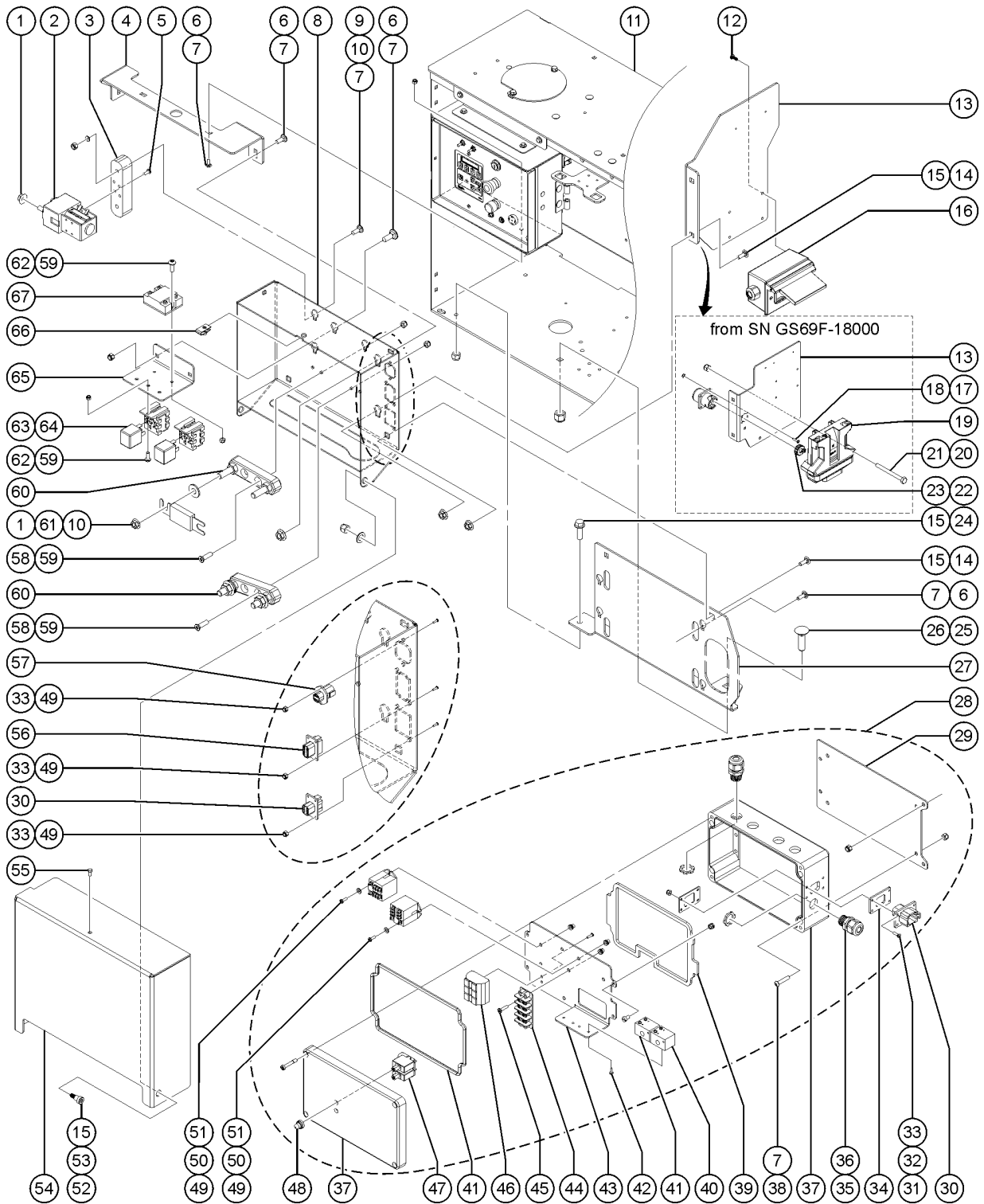


306.1 Engine and Battery Tray Components, View 2

Item	Part No.	Description	Qty.
27	75574GT	NUT,BULKHEAD,520118-4	1
28	1252754GT	ADAPTER,BARB .170,1/4NPT	1
29	825424GT	FAN, COOLING 12VDC, 4" DIA	1
30	49821GT	SCREW,PHILLIPS,PHM,8-32 X 1.25	4
31	18605GT	NUT,NYLOCK,8-32	4
32	826445GT	BRKT, INFLOW, ENGINE	1
32A	69586GT	WASHER,STAR,EXTERNAL,.25 not shown (for engine ground strap)	
33	1251512GT	TRIMLOK, ENG INFLOW SEAL	1
34	160916GT	WELDMENT, DIESEL TAIL PIPE	1
35	6638GT	WASHER,FLAT,USS,1/4"Y	2
36	1258101GT	CLAMP, STARTER BATTERY	1
37	822648GT	FORMING, STARTER BATTERY	1
38	162007GT	BATTERY, STARTER, 12V	1
39	1253215GT	SUPPORT, ENGINE TRAY	2
40	822663GT	TUBE,STRAIGHT,OUTFLOW,ENGINE	1
41	825555GT	BRKT, MOUNTING, ENG OUTFLOW	1
42		Ref., WELDMENT, HYBRID BOX	1
		(refer to 304.1)	
43	87648GT	BOLT,CARRIAGE,3/8-16 X 2.75,G2	1
44	5397GT	WASHER, FLAT, USS, 5/16-18	1
45	825427GT	FORMING, LIP, TOP VENT	1
46		Ref: WELDMENT,INTAKE,KOHLER	
		(refer to 401.1)	



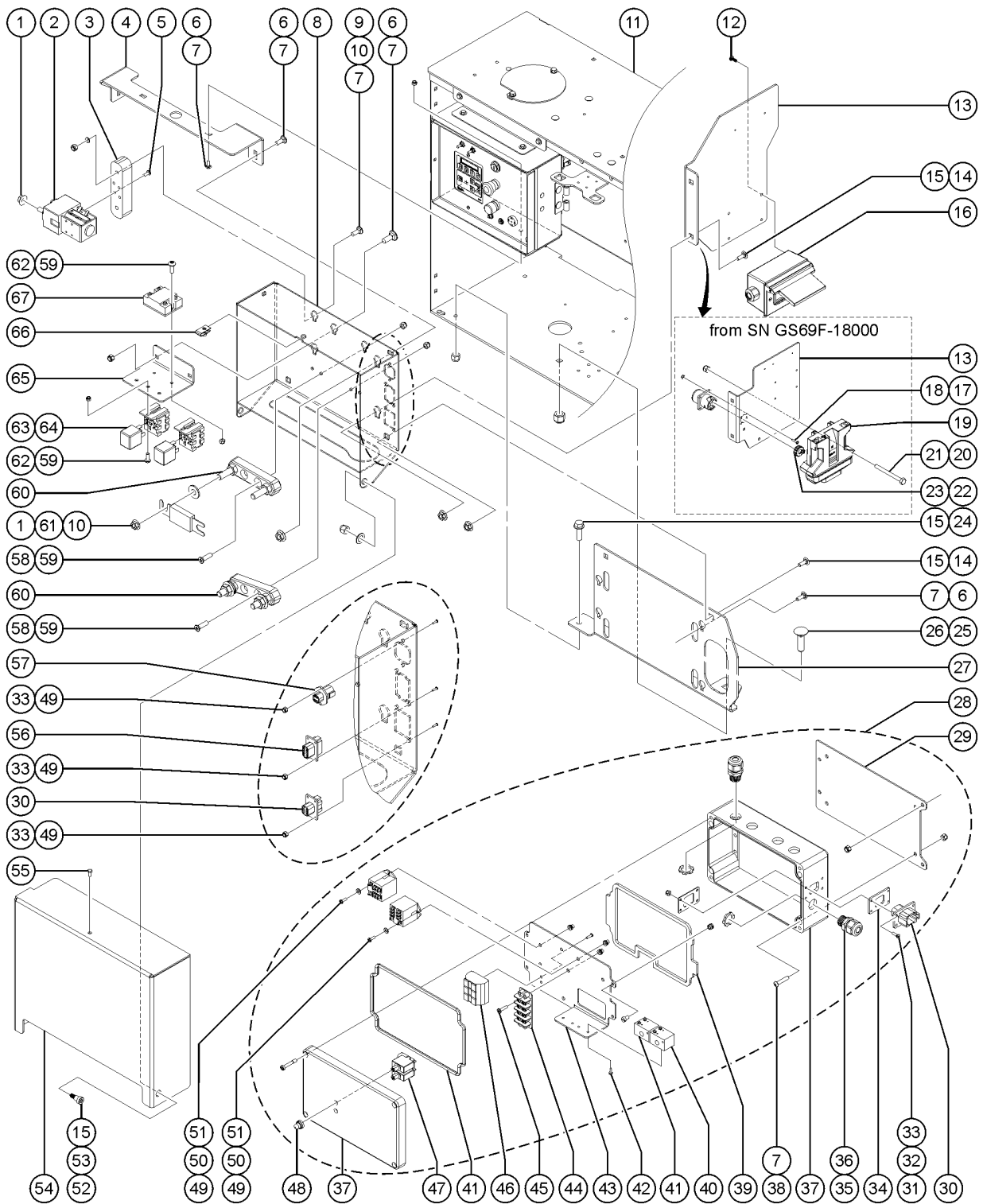
307.1 Engine and Battery Tray Components, View 3



Item	Part No.	Description	Qty.
1	18503GT	NUT, LOCKING - LG FLANGE 5/16 - 18	6
2	74267GT	CONTACTOR,DRIVE,24V,180A***	1
3	1253838GT	BRACKET,CONTACTOR MOUNT,RT69BE	1
4	822912GT	BRKT,FUSE BOX,UPPER,HYBRID	1
		blue; to SN 16960	
4B	1293226GT	FRMNG,PWR BOX,UPPER SPPRT,69BE	
		blacj; from SN 16961	
5	49819GT	SCREW,PHILLIPS,PHM,10-32 X .5	2
6	6878GT	BOLT,CARRIAGE,1/4-20 X .75,G2	6
7	6091GT	NUT,NYLOCK,1/4-20	8
8	1254615GT	WELDMENT,POWER BOX,69BE	1
		blue; to SN 16960	
8B	1293229GT	WELDMENT,POWER BOX,69BE	
		black; from SN 16961	
8-	45458GT	TRIMLOCK,BLACK,1/8"	12
		(not shown) (sold separately)	
9	215379GT	BOLT,CARRIAGE,1/4-20 X1.50 GR5	2
10	6638GT	WASHER,FLAT,USS,1/4"Y	6
11		Ref., Hydraulic Box	
		(refer to 301.1)	
12	112772GT	SCREW,PHM,8-32X.438	4
13	1254066GT	FRMNG,OUTLET SUPPORT,RT69BE	1
		blue; to SN 16960	
13B	1293228GT	FRMNG,OUTLET SUPPORT,RT69BE	
		black; from SN 16961 to SN GS69F-17999	
13C	1296053GT	FORMING, PLUS1 LOAD SENSE SUPPORT	2
		from SN GS69F-18000	
14	64154GT	BOLT,CARRIAGE,3/8-16 X1.00,G5	4
15	4828GT	NUT,NYLOCK,3/8-16	7
16		Ref: OUTLET BOX	1
		(refer to 607.1)	
17	1253477GT	SCREW,PHPM,4-40X.5,ZAG	4
		from SN GS69F-18000	
18	826854GT	NUT,NYLOCK,4-40	4
		from SN GS69F-18000	
19	1299365GT	CONTROLLER ASSY, RT LOAD SENSE SCON	1
		from SN GS69F-18000	
19-	1295180GT	MODULE, CTRL, PLUS1, SC050-120	
20	36294GT	SCREW,HHC,1/4-20 X 2.75	2
		from SN GS69F-18000	
21	6091GT	NUT,NYLOCK,1/4-20	2
		from SN GS69F-18000	
22	1272123GT	DUST CAP, RECEPTACLE, 5 WAY, C	1
		from SN GS69F-18000	



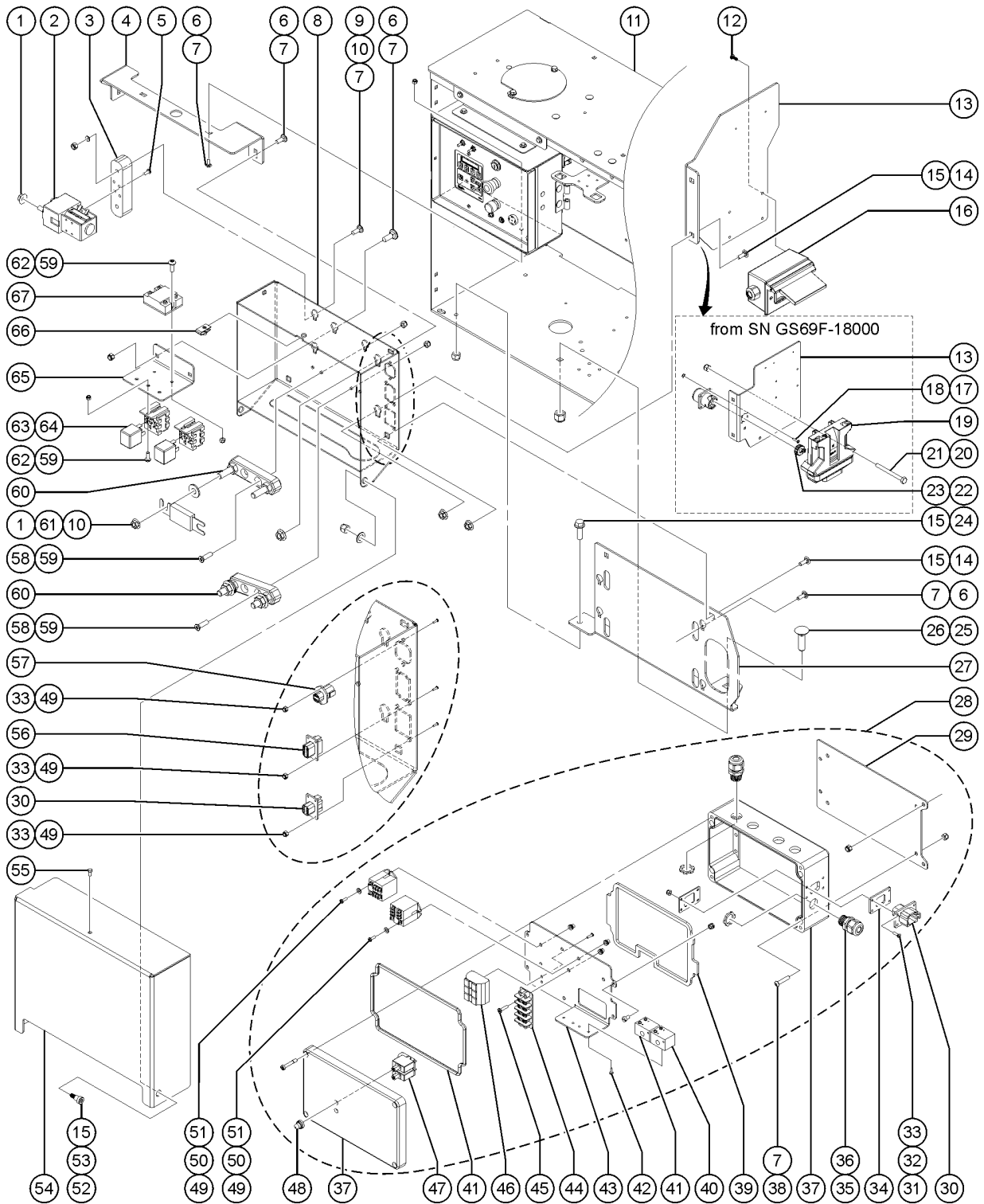
307.1 Engine and Battery Tray Components, View 3



Item	Part No.	Description	Qty.
23	1272122GT	CONNECTOR, RECEPTACLE, 5 WAY, from SN GS69F-18000	1
24	6019GT	SCREW,HHC,3/8-16 X 1.25 GRD 5	1
25	96203GT	BOLT,CARRIAGE,1/2-13X1.75, G5	1
26	6198GT	NUT,NYLOCK,1/2-13	1
27	822911GT	FRMNG,PWR BOX,LOWER SPPRT,69BE blue; to SN 16960	1
27B	1293225GT	FRMNG,PWR BOX,LOWER SPPRT,69BE black; from SN 16961	
27B-	45458GT	TRIMLOCK,BLACK,1/8" (not shown) (sold separately)	10
28	1254347GT	ASSY, AC BOX, RT69BE (complete assembly)	1
29	1254820GT	PLATE,AC BOX SUPPORT, RT69BE blue; to SN 16960	1
29B	1293231GT	PLATE,AC BOX SUPPORT, RT69BE black; from SN 16961	
30	87755GT	CONN,RECEP 8 WAY 14-18GA,FL	1
31	45645GT	SCREW,RHM,8-32 X .75	4
		to SN 16960	
31B	54380GT	SCREW,PHILLIPS,PHM,8-32 X .875	4
		from SN 16961	
32	1256309GT	PLATE,AC BOX GROUNDING,GS69BE	1
33	18605GT	NUT,NYLOCK,8-32	6
34	1254064GT	GASKET,FLANGE,DT SERIES	1
35	1253910GT	CONN,SQUEEZE .260-.546 BLK	2
36	6935GT	LOCKNUT,ELEC,1/2"	5
37	1254065GT	ENCLOSURE, AC POWER, RT69BE	1
38	130561GT	SCREW,BHCS,1/4-20X1.25	4
39	1254912GT	PLATE,AC BOX INTERNAL OFFSET	1
40	1251560GT	SENSOR,AC CURRENT, 1AMP, WH	1
41	1255862GT	SENSOR,AC CURRENT,8 AMP,RD (110V generator)	1
41B	1255861GT	SENSOR,AC CURRENT,4 AMP,BL (220V generator)	
42	1254346GT	SCREW,PHPS,6-18 X 1/2,TYPE A	4
43	1256216GT	ASSY,AC BOX INTERN. MOUNT	1
43-	1254067GT	FRMNG, AC BOX INTERN. MOUNT	1
43-	1255016GT	NUTSERT,8-32 STEEL	5



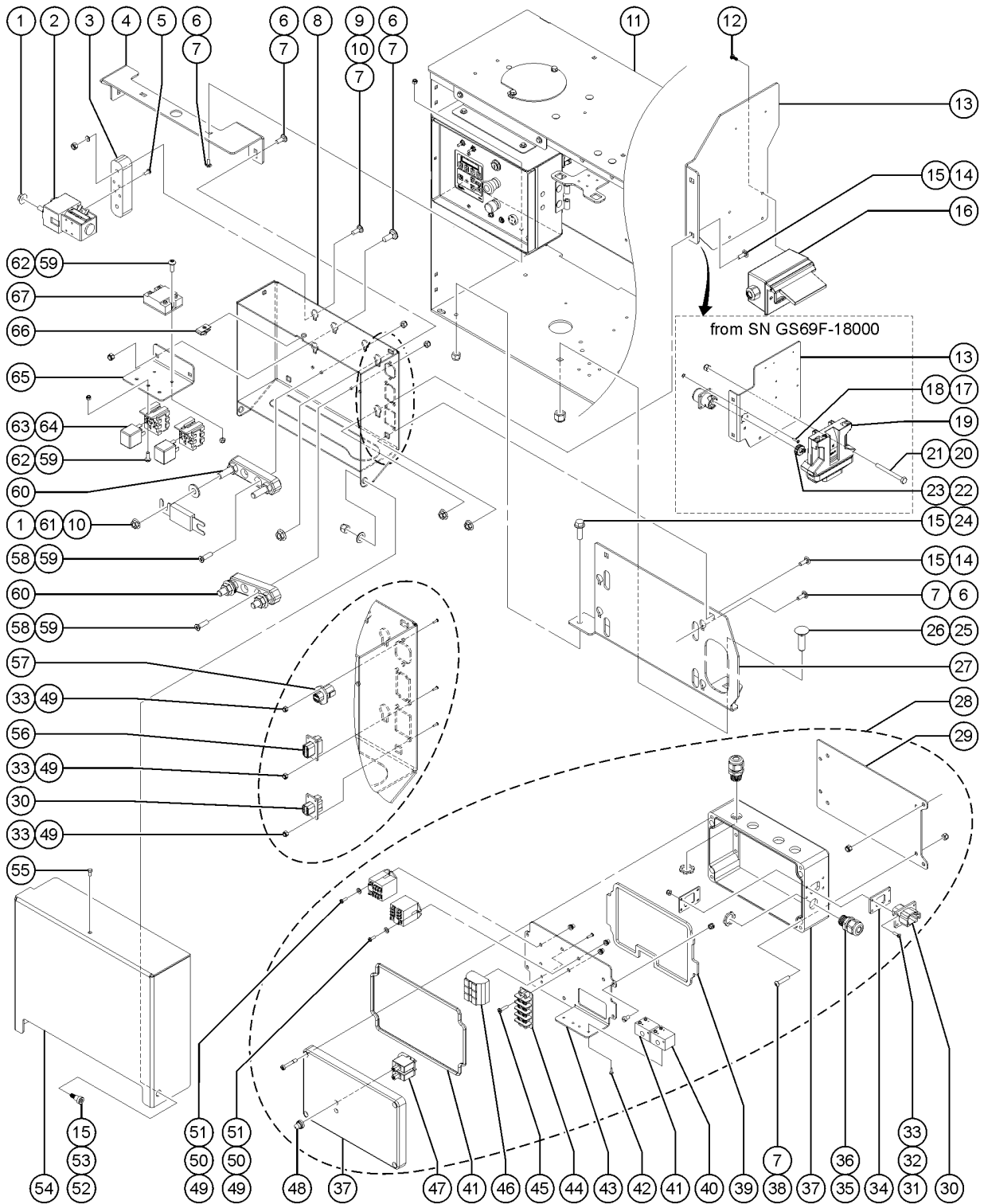
307.1 Engine and Battery Tray Components, View 3



Item	Part No.	Description	Qty.
43-	23405GT	NUTSERT,10-32 STEEL CAD PLTD	2
43-	51738GT	SCREW,RHM,M6 X 12MM (sold separately)	
44	69776GT	TERMINAL,STRIP,4-POLE,600V***	1
44-	1258010GT	TERMINAL STRIP COVER,4-POLE (not shown) (sold separately) (220V generator)	
45	49816GT	SCREW,PHILLIPS,PHM,10-32 X .75	2
46	214542GT	TERM BLK,3 POLE/12 POS,LCP	1
47	147090GT	CIRCUIT BREAKER, 15A (110V generator)	2
47B	124133GT	CIRCUIT BREAKER,8A SP (220V generator)	2
48	1254379GT	RUBBER CAP,PUSH BUTTON,IP66/68	2
49	55906GT	SCREW, PHILLIPS, PHM, 8-32 X .5	6
50	35461GT	WASHER,FLAT,MS,#8,Y	4
51	826709GT	RELAY,DPDT,120VAC,24VDC COIL	2
52	11335GT	SCREW,SHS,3/8-16 X .5	2
53	6052GT	WASHER,SHIM,.5 X .875 X .063	4
54	1254616GT	WELDMENT,POWER BOX COVER,69BE blue; to SN 16960	1
54B	1293230GT	WELDMENT,POWER BOX COVER,69BE black; from SN 16961	
55	7339GT	SCREW,HHC,1/4-20 X .5	1
56	73734GT	CONN,RECEP 12 WAY,GRN FLANGE	1
57	73717GT	CONN,RECEP 4 WAY,12-14GA FL***	1
58	17626GT	SCREW,FHM,10-32 X .75	3
59	6178GT	NUT,NYLOCK,10-32	8
60	66717GT	FUSE BLOCK, ANN & ANL FUSE	2
61	36372GT	FUSE,50 AMP,VERY FAST ACTING	1
62	54365GT	SCREW,PHIL,PHM,10-32 X .5,SSTL	4
63	56302GT	RELAY,24VDC,40/30A,SEALED***	2
64	34053GT	ASSY,RELAY SOCKET, AUTO	2
65	822914GT	FORMING,ENGINE RELAYS,69BE blue; to SN 16960	1
65B	1293227GT	FORMING,ENG RELAYS,69BE black; from SN 16960	



307.1 Engine and Battery Tray Components, View 3

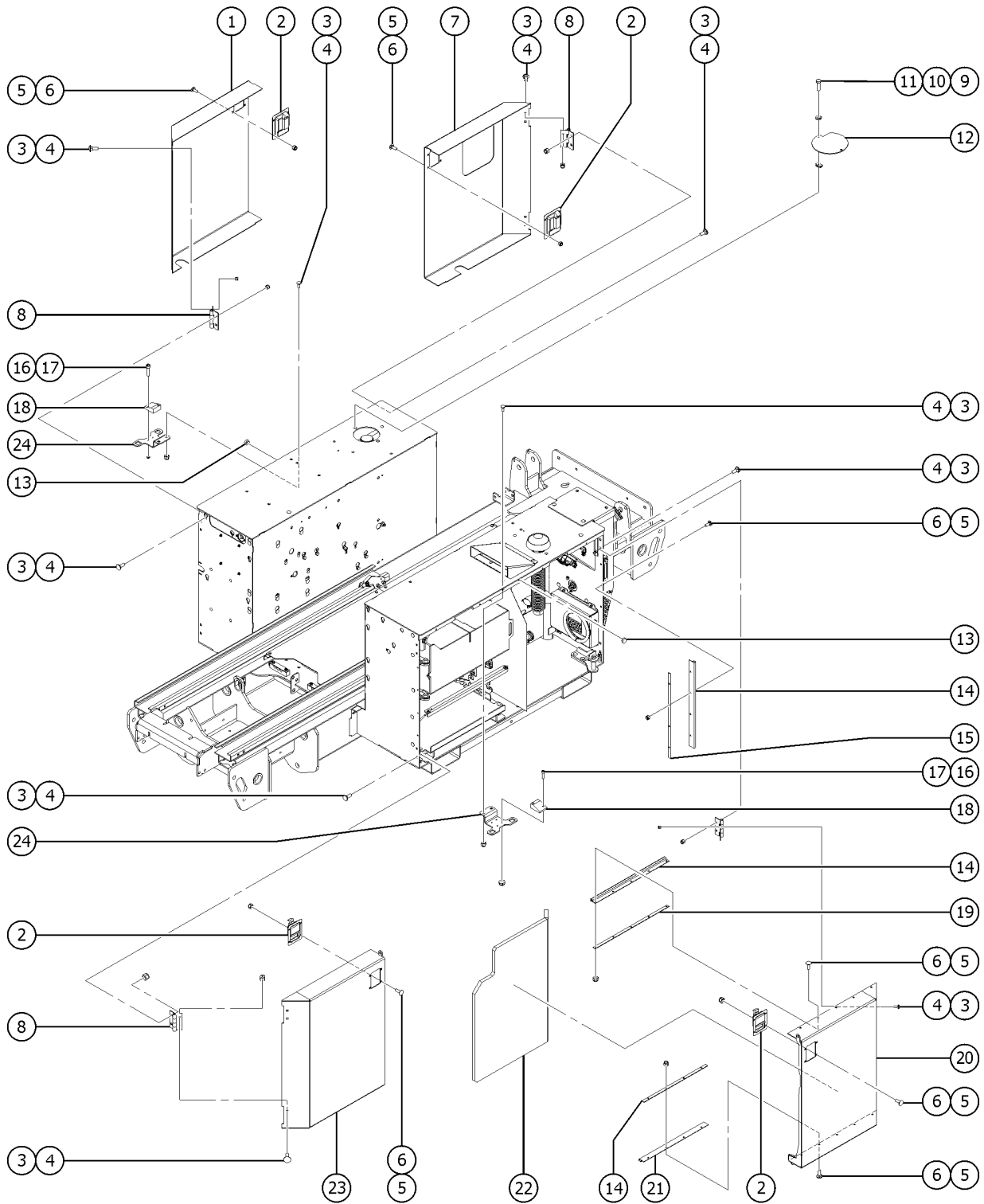


307.1 Engine and Battery Tray Components, View 3

<i>Item</i>	<i>Part No.</i>	<i>Description</i>	<i>Qty.</i>
66	56912GT	SPRING CLIP,1/4-20,.025-.15X.5	1
67	1253837GT	RELAY,SS,100VDC,7A,FAST ACTING	1



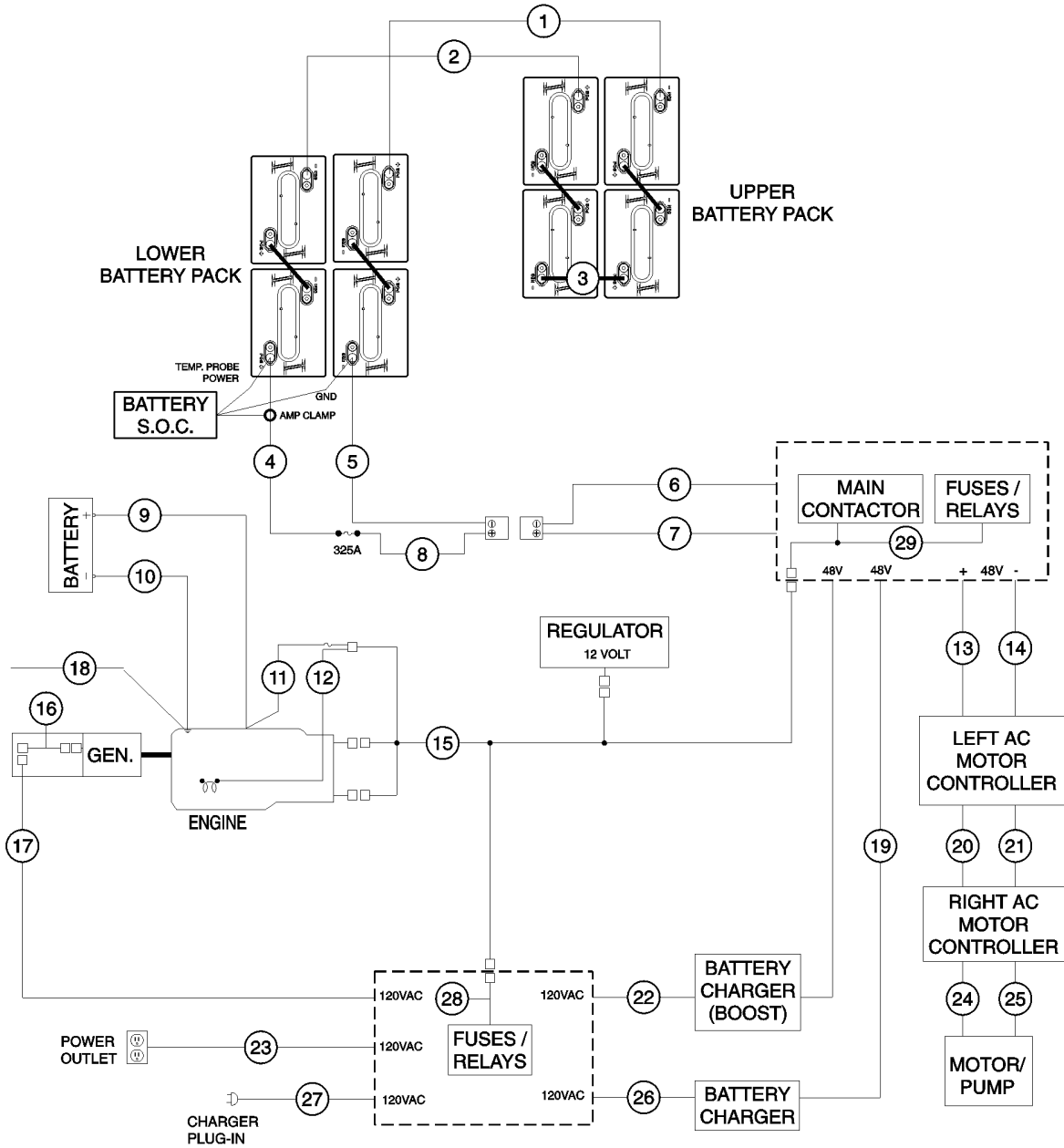
308.1 Chassis Cover Installation



Item	Part No.	Description	Qty.
1	1253422GT	WELDMENT,BOX DOOR,RT (decals not included, refer to section 100)	1
2	55675GT	LATCH, LRG PADDLE HANDLE GS90	4
3	64154GT	BOLT,CARRIAGE,3/8-16 X1.00,G5	36
4	4828GT	NUT,NYLOCK,3/8-16	36
5	6878GT	BOLT,CARRIAGE,1/4-20 X .75,G2	20
6	6091GT	NUT,NYLOCK,1/4-20	20
7	1253424GT	WELDMENT,BOX DOOR,LT,WINDOW (decals not included, refer to section 100)	1
8	55517GT	HINGE, GSRT90 BOX	8
9	6019GT	SCREW,HHC,3/8-16 X 1.25 GRD 5	2
10	6021GT	WASHER,LOCK, .375	2
11	29868GT	SPRING CLIP,3/8-16, .05-.20X.73,ZAG	2
12	1254428GT	PLATE,HYD TANK FILLER COVER	1
13	43392GT	BUMPER,BATTERY BOX & RAILS	4
14	1289021GT	SEAL, ENGINE BOX,GS69BE	3
15	823741GT	PLATE,SEAL SUPPORT,RS	1
16	219112GT	SCREW,SHC,10-32 X .75	4
17	14392GT	NUT,LP NYLOCK,10-32	4
18	1253479GT	SLIDE BLOCK,DOOR WEDGE,HDPE	2
19	823738GT	PLATE,SEAL SUPPORT,DOOR,LONG	1
20	1253468GT	WELDMENT,BOX,DOOR,RT (decals not included, refer to section 100)	1
20-	823654GT	SHEET,THERMO FOAM, DOOR (not included, sold seperately)	1
21	823739GT	PLATE,SEAL SUPPORT,DOOR,SHORT	1
22	823654GT	SHEET,THERMO FOAM, DOOR	1
23	1253423GT	WELDMENT,BOX DOOR,LT (decals not included, refer to section 100)	1
24	1253349GT	FORMING, LATCH CATCH	2



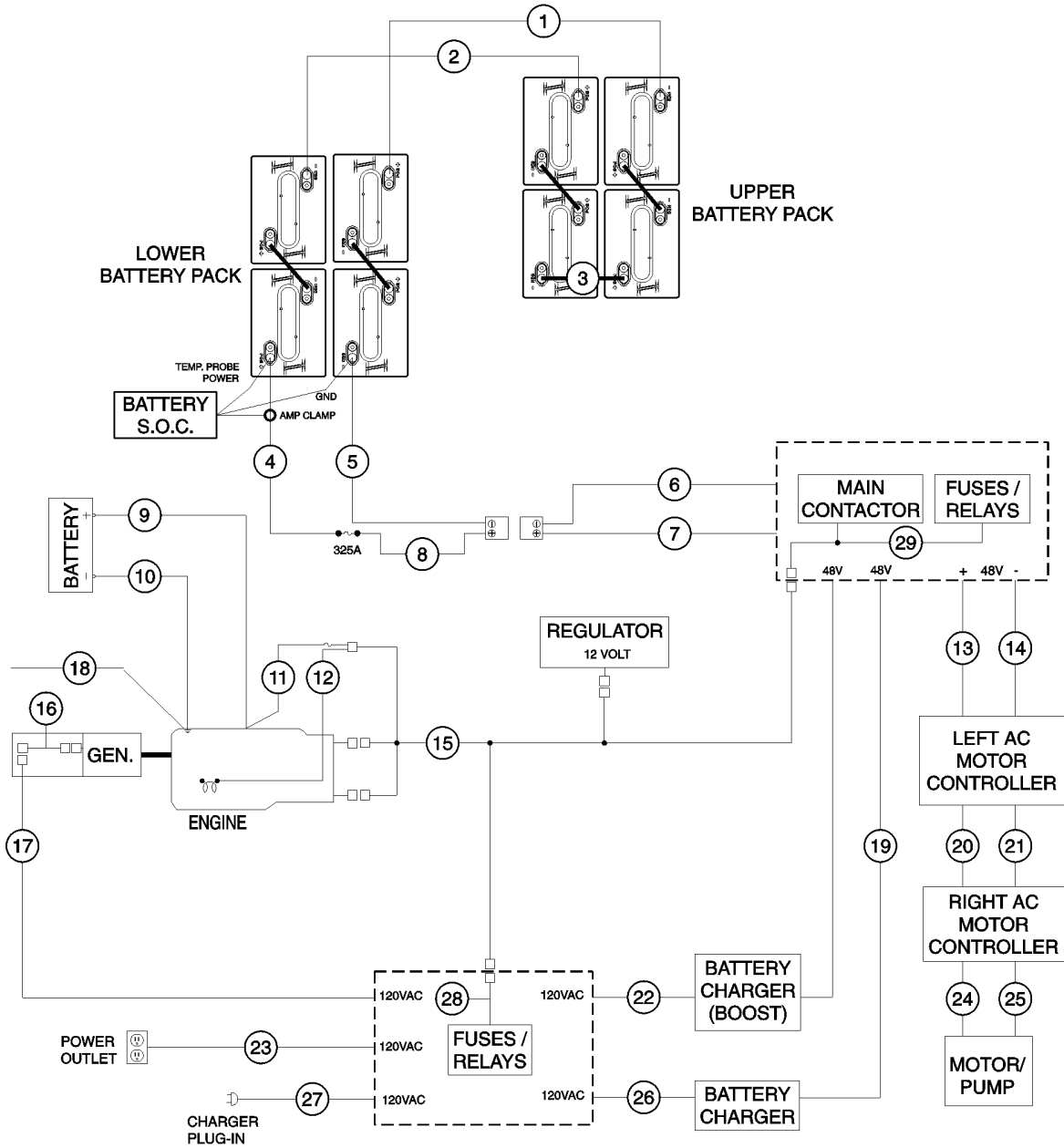
309.1 Power Cables



Item	Part No.	Description	Qty.
1	826889GT	BATTERY CABLE JUMPER, TRAY	1
2	826888GT	BATTERY CABLE JUMPER, TRAY	1
3	238364GT	CABLE ASSY, BATTERY JUMPERS	5
4	826892GT	CABLE ASSY, B+ TO FUSE	1
5	826890GT	CABLE ASSY,B- TO ANDERSON	1
6	826894GT	CABLE ASSY, ANDERSON- TO BOX	1
7	826893GT	CABLE ASSY, ANDERSON+ TO BOX	1
8	826891GT	CABLE ASSY, ANDERSON TO FUSE	1
9	826869GT	CABLE, BATTERY POSITIVE	1
10	826870GT	CABLE, BATTERY NEGATIVE	1
11	1251526GT	CABLE ASSY, GLOW PLUG, FUSE	1
12	1251527GT	CABLE ASSY, GLOW PLUG, PWR	1
13	826927GT	CABLE ASSY, CONTA TO LT CONTR	1
14	826928GT	CABLE ASSY, GRND TO LT CONTR	1
15	822956GT	HARNESS, CONTROL, GS69BE (part of harness is shown as item 7 in 310.1) to SN GS69F-17999	1
15B	1299674GT	HARNESS, MOTOR CONTROL, GS69BE, LS from SN GS69F-18000	1
16	1255856GT	HARNESS,GEN PWR,120V,69BE (110V models)	1
16B	1257202GT	HARNESS,GEN PWR,220V,69BE (220V models)	1
17	826993GT	CABLE, GEN TO FUSE/RELAY BOX (110V models)	1
17B	1258397GT	CABLE,GEN TO AC BOX,220V (220V models)	1
17C	1256085GT	CABLE,GEN TO RCBO,220V (220V models)	1
17D	1256086GT	CABLE,RCBO TO AC BOX,220V (220V models)	1
18	1255787GT	CABLE ASSY, ENGINE GROUND	1
19	1256049GT	ASSEMBLY, CHARGER, LEAD ACID	1
20	238372GT	CABLE ASSY, CONTR A B+ TO CONT	1
21	238374GT	CABLE ASSY, CONTR A B- TO CONT	1
22	1254640GT	CABLE ASSY, CHRG EXT, BST (110V models)	1
22B	1256087GT	CABLE ASSY,CHRG EXT,BST,220V (220V models)	1



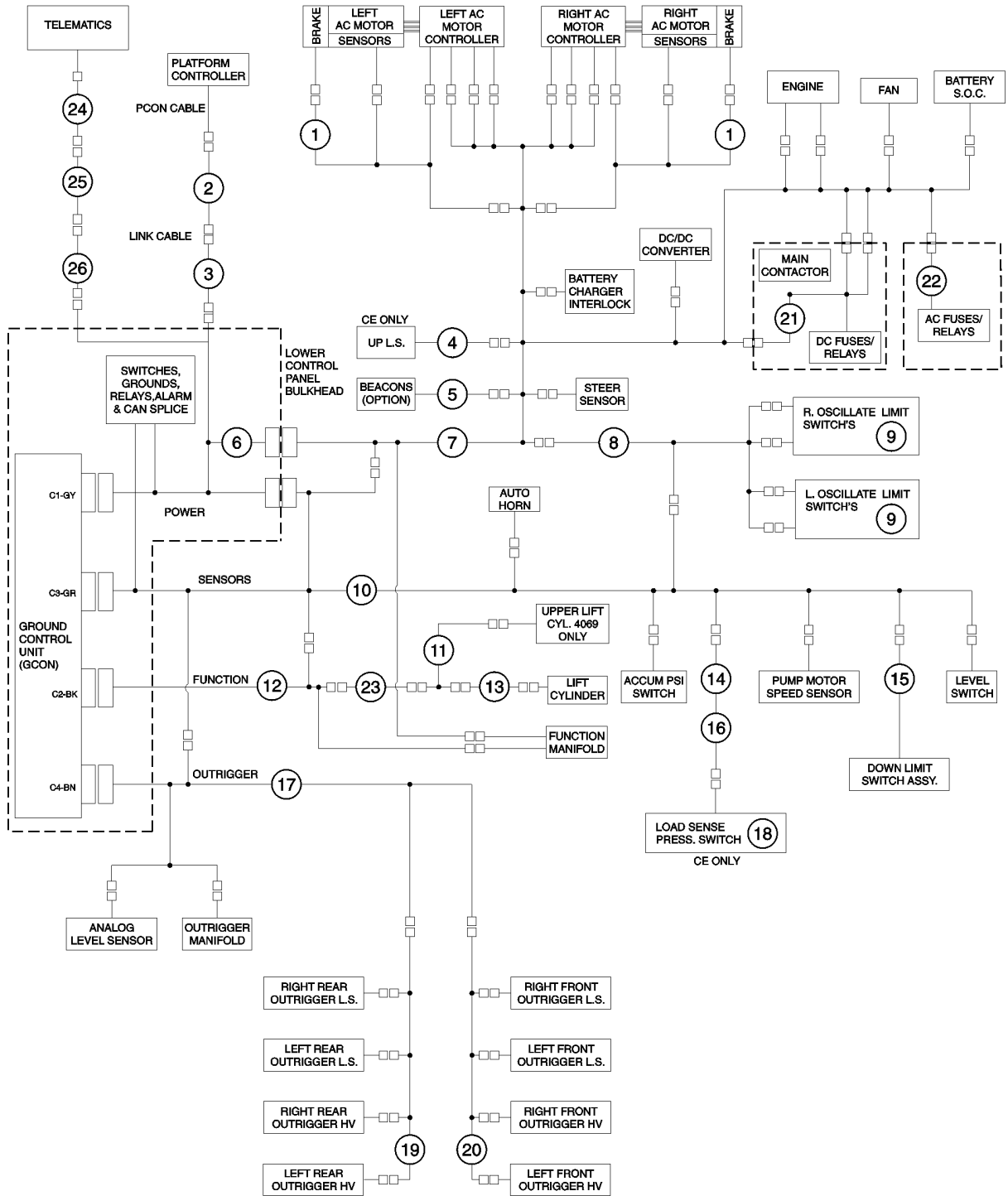
309.1 Power Cables



<i>Item</i>	<i>Part No.</i>	<i>Description</i>	<i>Qty.</i>
23	1255265GT	CABLE ASSY, AC OUTLET (110V models)	1
23B	1256090GT	CABLE ASSY, AC OUTLET,220V (220V models)	
24	238371GT	CABLE ASSY, PUMP MT+ TO CONTR	1
25	238375GT	CABLE ASSY, CONTR A P- TO PUMP	1
26	1254597GT	CABLE ASSY, CHARGER EXT. (110V models)	1
26B	1256088GT	CABLE ASSY,CHRG EXT,MAIN,220V (220V models)	
27	1254598GT	CABLE ASSY, BOX TO EXT. POWER (110V models)	1
27B	1256089GT	CABLE ASSY,69BE EXT. PWR,220V (220V models)	
28	1254914GT	HARNESS, AC BOX, RT69BE (110V models)	
28B	1257217GT	HARNESS, 220VAC BOX,RT69BE (220V models)	
29	1254915GT	HARNESS, DC BOX, RT69BE	



310.1 Electrical Wiring and Power Cables (to GS69F-17999)

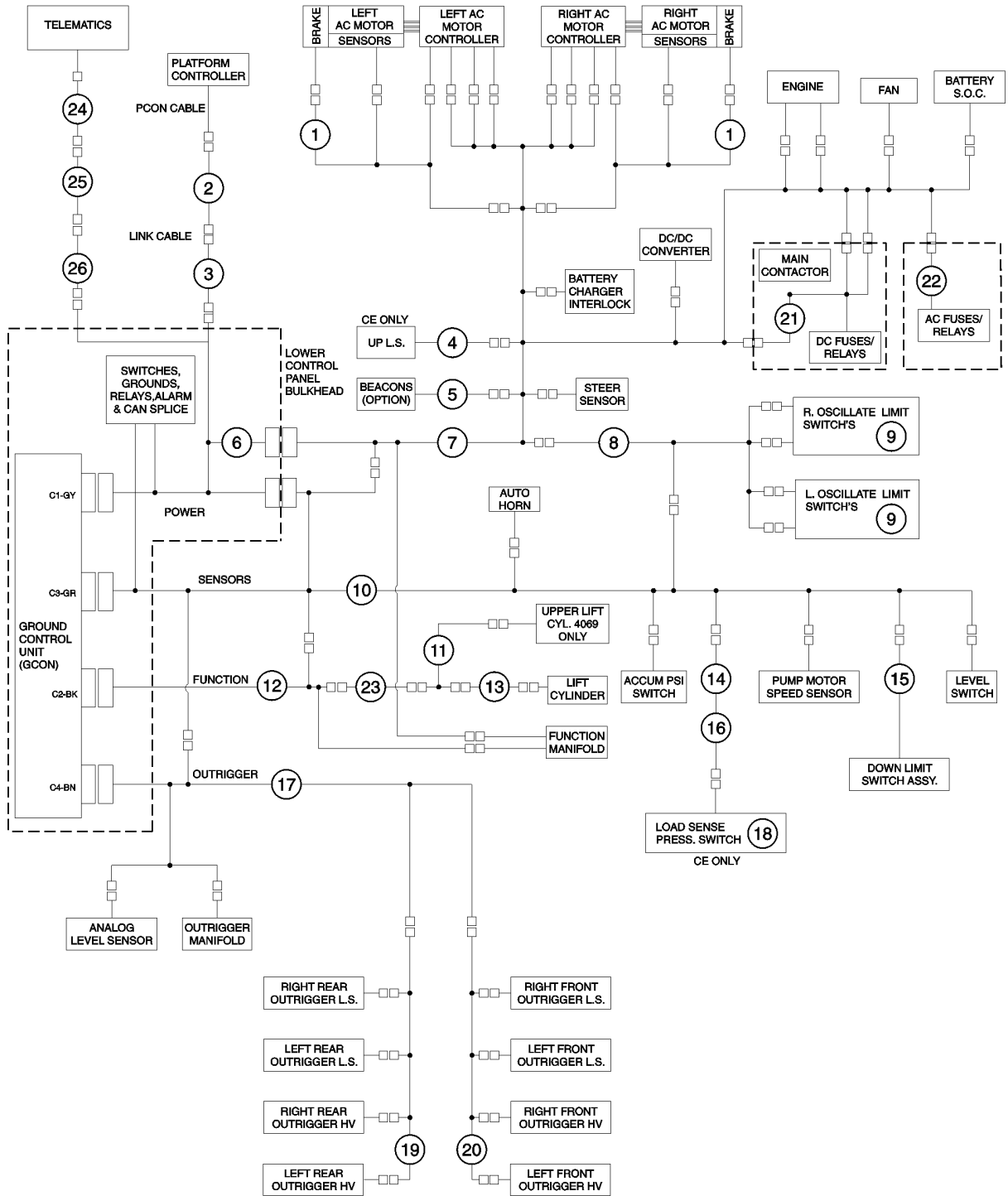


310.1 Electrical Wiring and Power Cables (to GS69F-17999)

Item	Part No.	Description	Qty.
A	1264822GT	KIT, TRC RETROFIT, STNDRD Telematics (includes 1264834)	
A-	1264834GT	INSTRN, TRC RETROFIT, STNDRD	
1	234837GT	HARNESS, MOTOR/BRAKE,GS69DC	2
2	236066GT	CABLE,CNTRL,LINKS,GS2669DC (420 inches, base to platform) GS-2669	
2B	236067GT	CABLE,CNTRL,LINKS,GS3369DC (542 inches, base to platform) GS-3369	
2C	236068GT	CABLE,CNTRL,LINKS,GS4069DC (660 inches, base to platform) GS-4069	
3	237476GT	CABLE,CONTROL,EXTEND,GS69DC	1
4	T114634GT	HARNESS,UP LIMIT SWITCH	1
5	148076GT	HARNESS,BEACON,GS69 (option) (to SN GS6916F-9824)	1
5B	1273392GT	HARNESS, LED BEACON, GS69DC from SN GS6916F-9825	
6	234830GT	HARNESS,LCP,GS69DC (to SN GS6915-6988)	1
6-	67504GT	FUSE HOLDER,ATC 3-30 AMPS	
6-	67505GT	FUSE,10 AMP,ATC	
6B	1266273GT	HARNESS, LCP, GS69DC/BE (from SN GS6915-6989)	
7	822956GT	HARNESS, CONTROL, GS69BE (part of harness is shown as item 15 in 309.1)	1
8	235399GT	HARNESS,EXTEND,OSC LS,GS69DC	1
9	148414GT	HARNESS,OSC SWITCH REAR	2
10	234831GT	HARNESS,SENSORS,GS69DC	1
11	1259448GT	CABLE,PROP. DOWN COIL 4069 (from SN GS6915-6989) GS-4069	1
12	234833GT	HARNESS,FUNCTION,HYD,GS69DC (to SN GS6915-6988)	1
12B	1266112GT	HARNESS, FUNCTION, GS69DC/BE (from SN GS6915-6989)	1
13	148086GT	CABLE,DOWN COILS,GS3369 (to SN GS6915-6383)	
13B	1259447GT	CABLE,PROP. DOWN COIL 26/3369 (from SN GS6915-6384)	
14	219973GT	CABLE,PRESSURE SWITCH, 6S	1
15	148092GT	HARNESS,DOWN LIMIT SENSOR,GS69	1
16	218245GT	JUMPER,SENSOR,TERMINAL	1
17	234834GT	HARNESS, OUTRIGGER,MAIN,GS69DC (option)	1
18	104571GT	HARNESS,PRESS.SWITCH (CE only)	1



310.1 Electrical Wiring and Power Cables (to GS69F-17999)

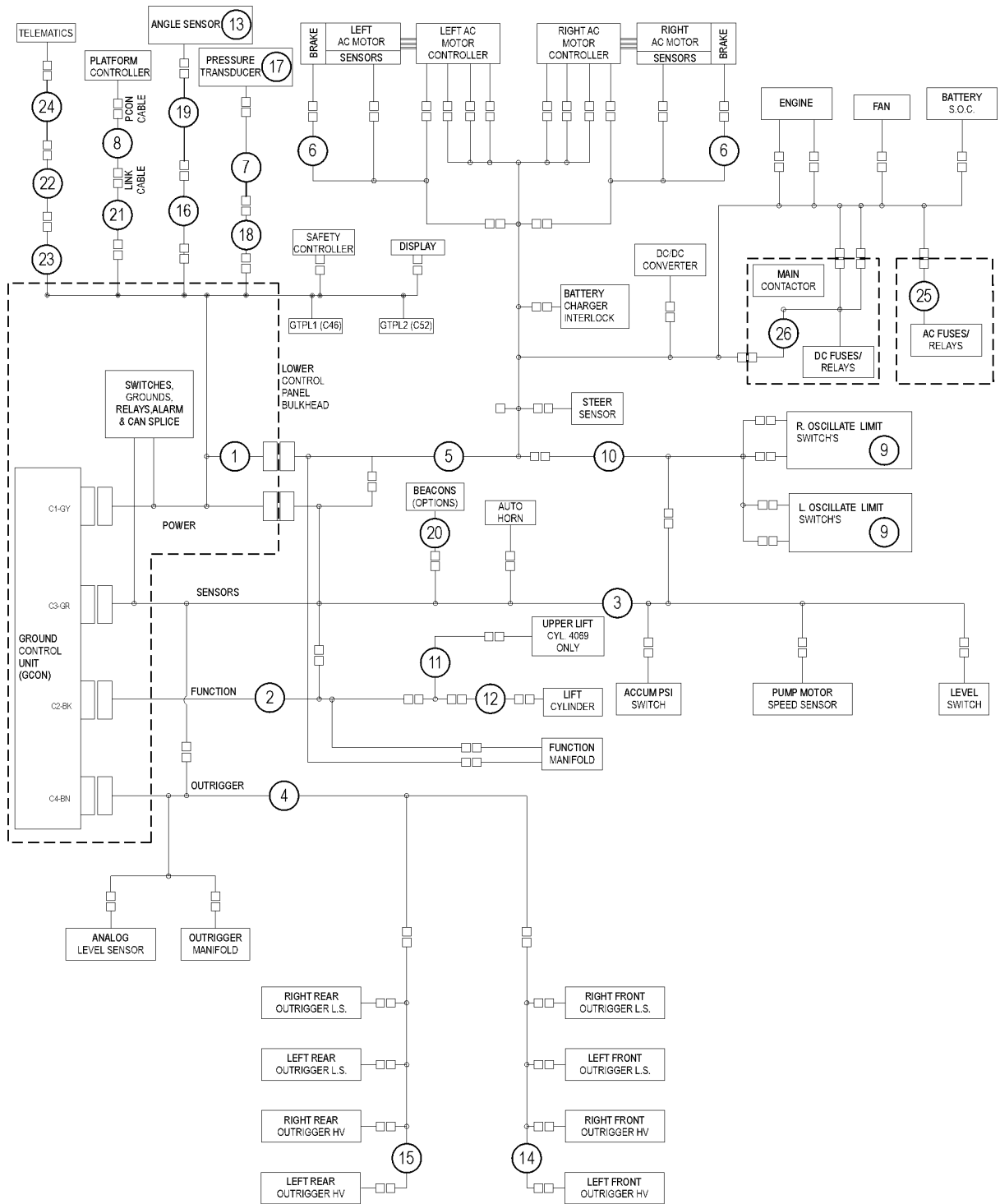


310.1 Electrical Wiring and Power Cables (to GS69F-17999)

Item	Part No.	Description	Qty.
19	148091GT	HARNESS,OUTRIGGERS,REAR,GS69 (option)	1
20	148090GT	HARNESS,OUTRIGGERS,FRNT,GS69 (option)	1
21	1254915GT	HARNESS, DC BOX, RT69BE	1
22	1254914GT	HARNESS, AC BOX, RT69BE (110V)	1
22B	1257217GT	HARNESS, 220VAC BOX,RT69BE (120V)	1
23	1259499GT	HARNESS, PROP, DOWN, GS69 (from SN GS6915-6384 to GS6915-6988)	1
23B	1259498GT	KIT,PROP. DOWN,GS26/3369 DC/BE (to SN GS6915-6383) (includes proportional down harnesses, valve and instructions) GS-2669 and GS-3369	1
23C	1259991GT	KIT,PROP. DOWN,GS4069 DC/BE (to SN GS6915-6383) (includes proportional down harnesses, valve and instructions) GS-4069	1
23D	1258731GT	FLASH DRIVE,SL1K2.0 SOFTWARE (from SN GS6915-6384 to GS6915-6988)	1
23E	219205GT	FLASH DRIVE,SL1K1.0 SOFTWARE (from SN GS6915-6384 to GS6915-6988)	1
23F	1259447GT	CABLE,PROP. DOWN COIL 26/3369 (from SN GS6915-6989) GS-2669 and GS-3369	1
24	1294153GT	HARNESS, HERC TELEMATICS, GS69,90,84 (from SN GS69F-16543)	1
24-	1291595GT	HARNESS, JUMPER, TELEMATICS	1
25	1292837GT	HARNESS, JUMPER, GS69DC/BE TELEMATICS (from SN GS69F-16543)	1
26	1289899GT	HARNESS, GATEWAY, GS (from SN GS69F-16543)	1



310.2 Electrical Wiring and Power Cables (from GS69F-18000)

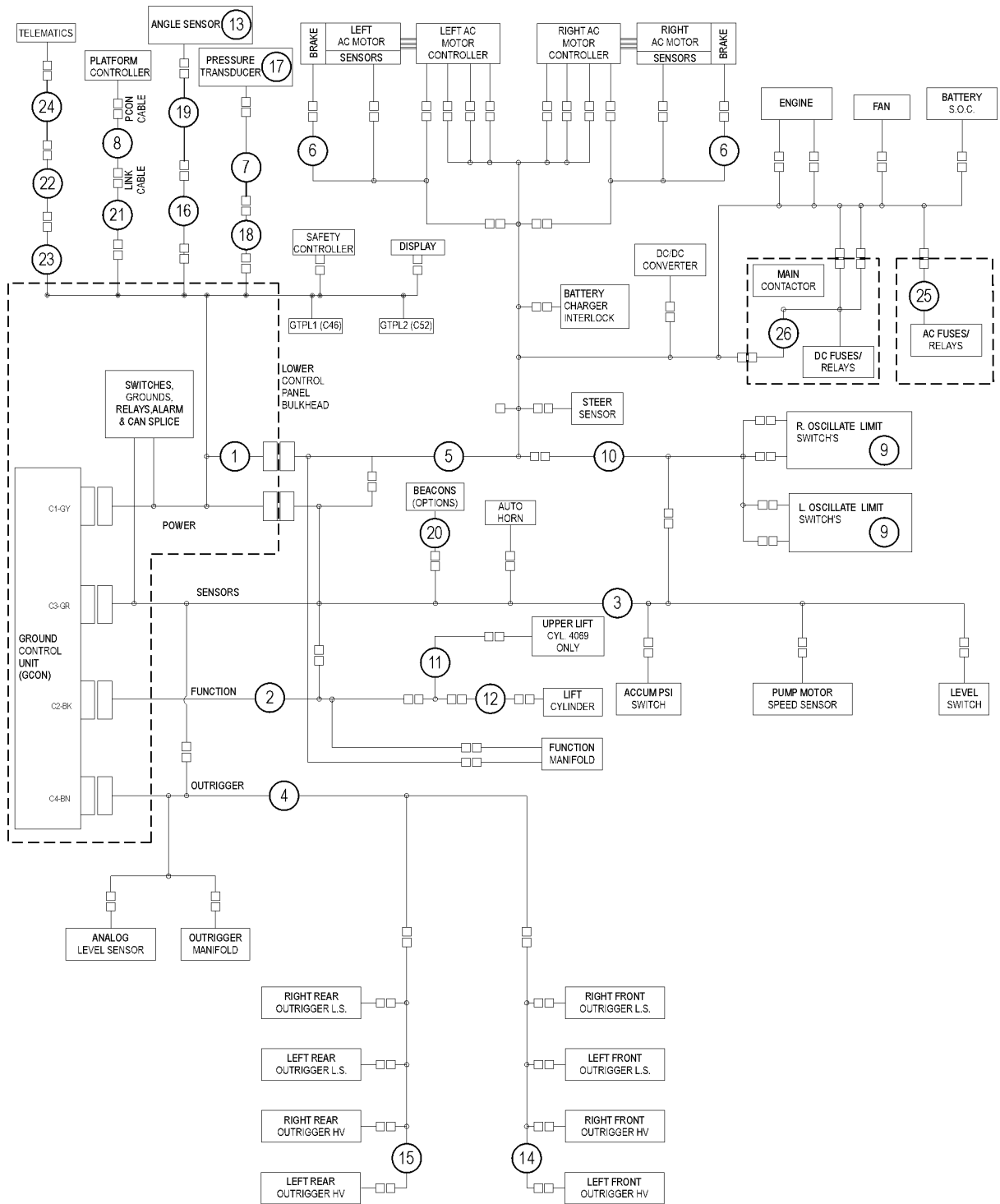


310.2 Electrical Wiring and Power Cables (from GS69F-18000)

Item	Part No.	Description	Qty.
A	1264822GT	KIT, TRC RETROFIT, STNDRD Telematics (includes 1264834)	
A-	1264834GT	INSTRN, TRC RETROFIT, STNDRD	
1	1299497GT	HARNESS,LCP,GS69DC/BE,LS	1
2	1299670GT	HARNESS,FUNCTION,GS69DC,LS	1
3	1299650GT	HARNESS,SENSOR,GS69DC/BE,LS	1
4	234834GT	HARNESS, OUTRIGGER,MAIN,GS69DC	1
5	1299674GT	HARNESS, MOTOR CONTROL, GS69BE, LS	1
6	234837GT	HARNESS, MOTOR/BRAKE,GS69DC	2
7	1301002GT	CABLE #2,PRESSURE SENSOR	
8	236066GT	CABLE,CNTRL,LINKS,GS2669DC (420 inches, base to platform) GS-2669	1
8B	236067GT	CABLE,CNTRL,LINKS,GS3369DC (542 inches, base to platform) GS-3369	1
8C	236068GT	CABLE,CNTRL,LINKS,GS4069DC (660 inches, base to platform) GS-4069	2
9	148414GT	HARNESS,OSC SWITCH REAR	1
10	235399GT	HARNESS,EXTEND,OSC LS,GS69DC	1
11	1259448GT	CABLE,PROP. DOWN COIL 4069	1
12	1259447GT	CABLE,PROP. DOWN COIL 26/3369	1
13	1293266GT	ASSY,ROTARY SENSOR,130DEG,CW,CCW	1
14	148090GT	HARNESS,OUTRIGGERS,FRNT,GS69	1
15	148091GT	HARNESS,OUTRIGGERS,REAR,GS69	1
16	1298080GT	CABLE #1, ANGLE SENSOR	1
17	1299448GT	CABLE,PROP. DOWN COIL 4069	1
18	1298079GT	CABLE #1, PRESSURE SENSOR	1
19	1301003GT	CABLE #2, ANGLE SENSOR	1
20	1273392GT	HARNESS, LED BEACON, GS69DC	1
21	237476GT	CABLE,CONTROL,EXTEND,GS69DC	1
22	1292837GT	HARNESS, JUMPER, GS69DC/BE TELEMATICS	1
23	1289899GT	HARNESS, GATEWAY, GS	1
24	1294153GT	HARNESS, HERC TELEMATICS, GS69,90,84	1



310.2 Electrical Wiring and Power Cables (from GS69F-18000)

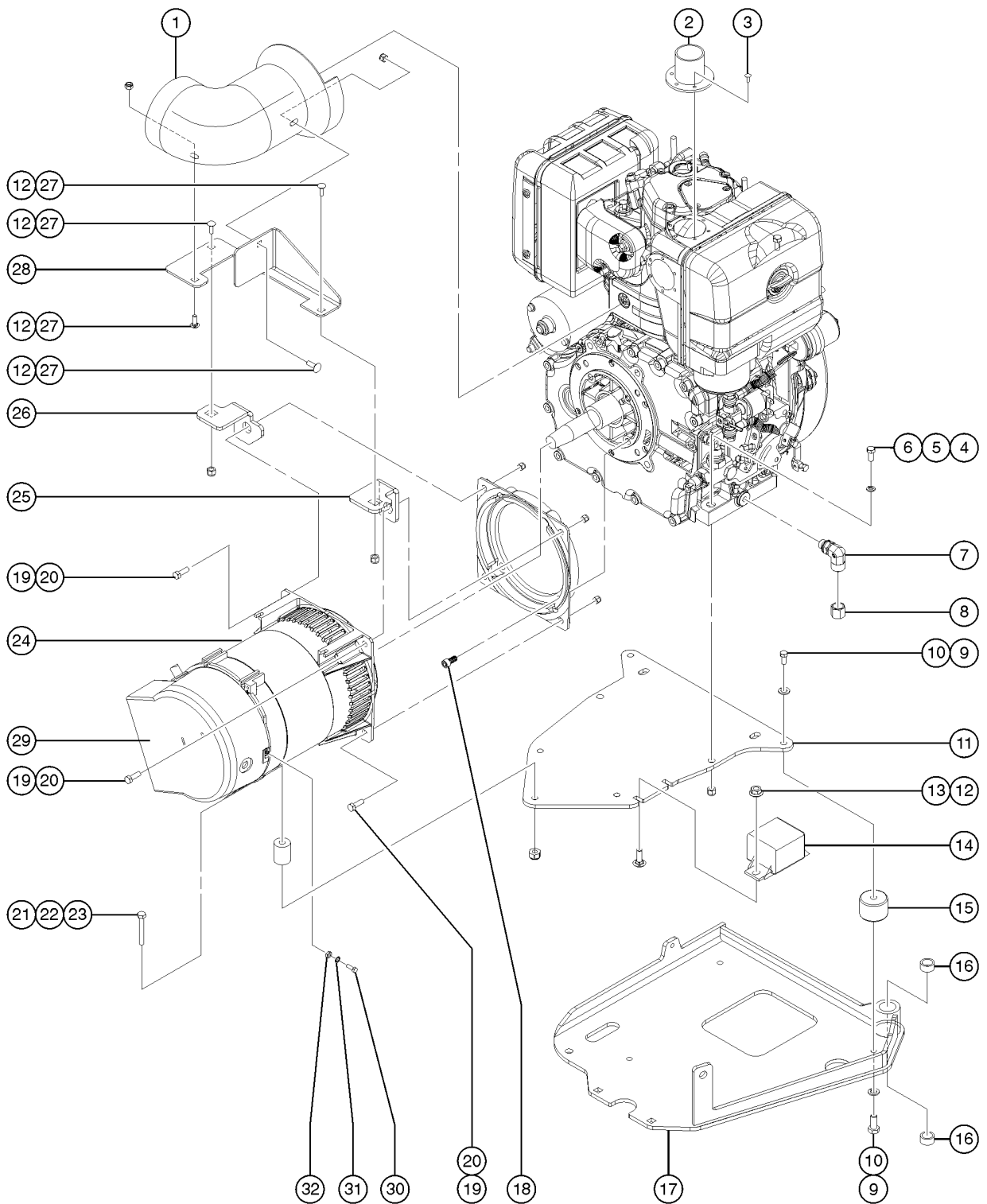


310.2 Electrical Wiring and Power Cables (from GS69F-18000)

<i>Item</i>	<i>Part No.</i>	<i>Description</i>	<i>Qty.</i>
24-	1291595GT	HARNESS, JUMPER, TELEMATICS	1
25	1254914GT	HARNESS, AC BOX, RT69BE (110V)	1
25B	1257217GT	HARNESS, 220VAC BOX,RT69BE (120V)	1
26	1254915GT	HARNESS, DC BOX, RT69BE	1



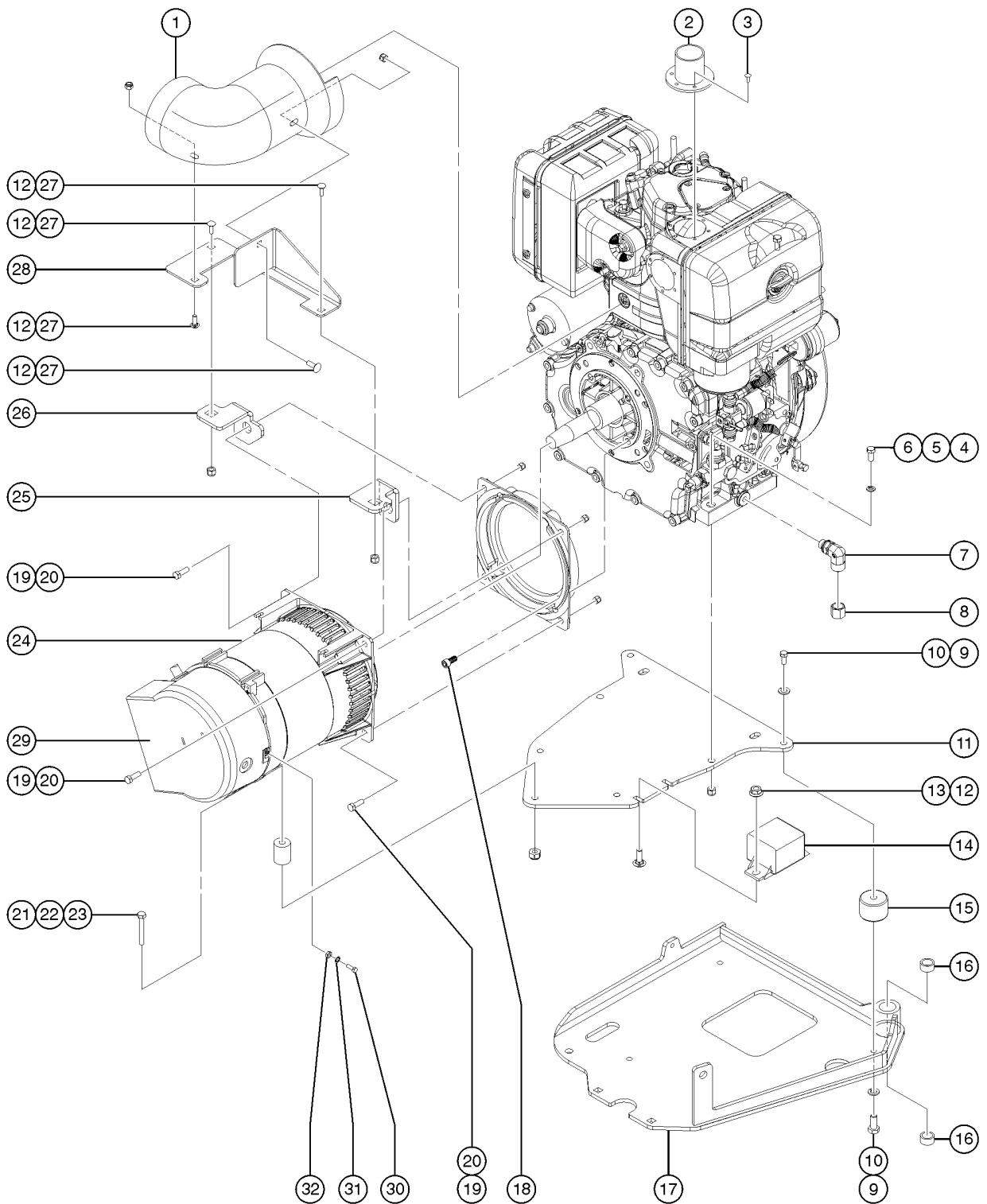
401.1 Kohler K-350 Engine, View 1



Item	Part No.	Description	Qty.
A-	162001GT	ENGINE, KOHLER KD350, 3600RPM	
B-	67504GT	FUSE HOLDER,ATC 3-30 AMPS	
		(for 162001)	
C-	1300066GT	ENGINE,KOHLER KD350 STG 5, 3000RPM	
D-	825199GT	FUSE HOLDER, ANNRING	
		(for 1300066)	
E-	1255883GT	PARTS MANUAL, KOHLER KD350	
F-	1255884GT	WORKSHOP MANUAL, KOHLER KD350	
G-	1255885GT	OPERATORS MANUAL, KOHLER KD350	
H-	35418GT	HOSE,FUEL,3/16,SAE 30R7	13
J-	30490GT	HOSE,1/4 FUEL LINE,SAE 30R7	12
1	822649GT	TUBE,ELBOW,OUTFLOW,ENGINE	1
2	826448GT	WELDMENT,INTAKE,KOHLER	1
3	1257720GT	SCREW, PHP, M3.9X9.5, TAPPING	3
4	13918GT	SCREW,HHC,3/8-16 X 1.75,GRD.8	4
5	5397GT	WASHER, FLAT, USS, 5/16-18	3
6	4828GT	NUT,NYLOCK,3/8-16	4
7	824657GT	ELBOW, 52M0287, M14-8	1
8	69775GT	CAP,520112-8	1
9	10107GT	SCREW,HHC,5/16-18 X .75	8
10	6886GT	WASHER,LOCK,.313	8
11	219637GT	PLATE, ENGINE BASE MNT	1
12	121421GT	NUT,FLG,1/4-20	
13	6878GT	BOLT,CARRIAGE,1/4-20 X .75,G2	6
14	56099GT	RELAY,SPST,24V,50A	1
15	219949GT	ENGINE MOUNT, 5/16-18 INSERT	4
16	39581GT	BEARING,0.75IDX1.00ODX0.50L	2
17	160913GT	WELDMENT, ENGINE TRAY	1
18	162062GT	SCREW, SHCS, 3/8-16 X .75	4
19	49379GT	SCREW,HHC,M8 X 1.25 X 25	4



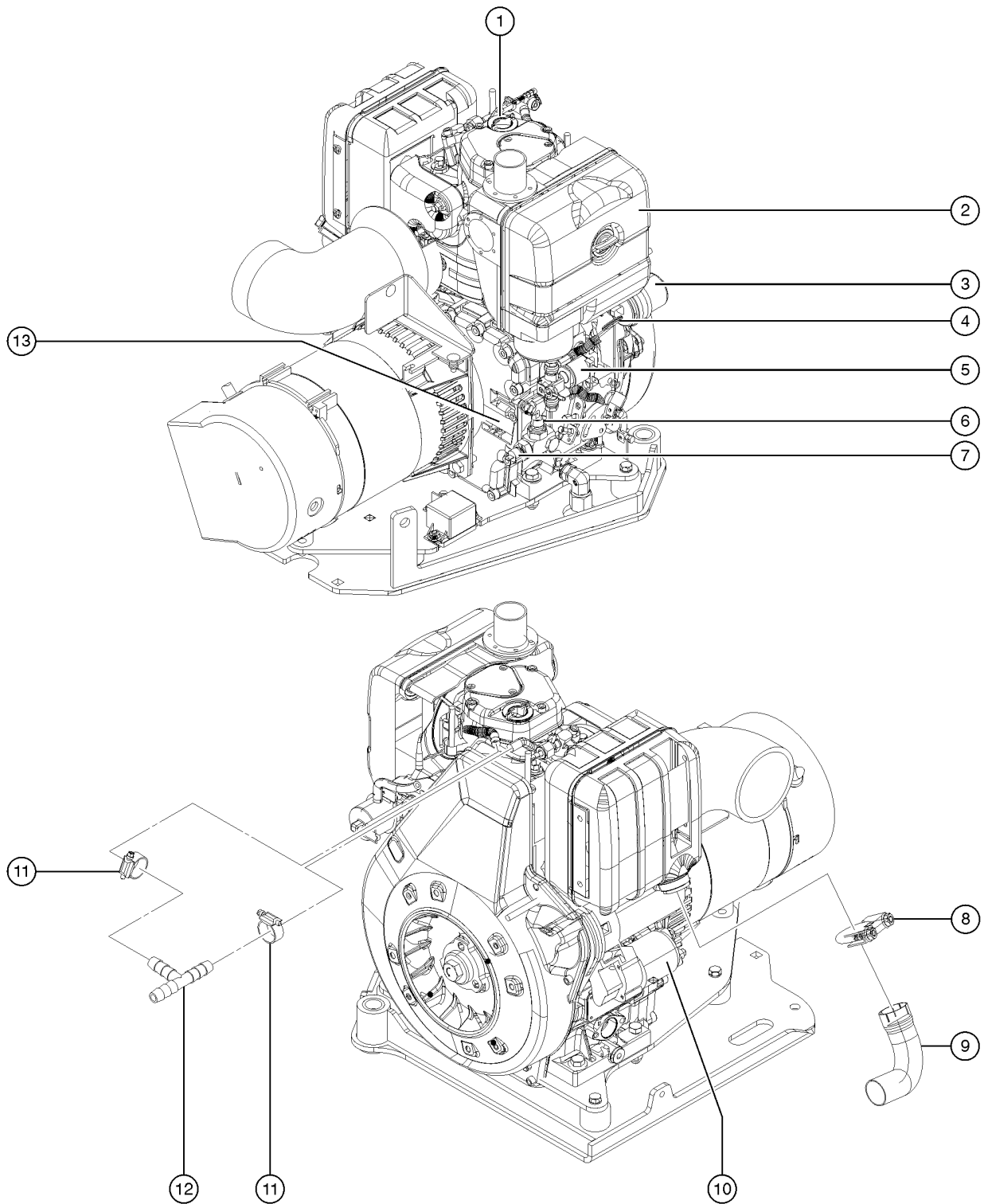
401.1 Kohler K-350 Engine, View 1



<i>Item</i>	<i>Part No.</i>	<i>Description</i>	<i>Qty.</i>
20	824149GT	NUT,M8-1.25,DIN934,10,ZAB	
21	123643GT	SCREW,HHC,5/16-18X2.25,GR8,Y	1
22	1253216GT	BOSS, GENERATOR MNT	1
23	6782GT	NUT, NYLOCK, 5/16-18	1
24	161984GT	GENERATOR,3KW,120VAC,60HZ,1PH (use with engine 162001) (intake cover not included)	1
24B	1253603GT	GENERATOR,3KW,240VAC,50HZ,1PH (use with engine 1300066)	
25	822652GT	FORMING, BRACKET, INFLOW MNT,	1
26	822651GT	FORMING, BRACKET, INFLOW MNT,	1
27	6091GT	NUT,NYLOCK,1/4-20	4
29	825491GT	COVER, INTAKE, GENERATOR	1
		(sold separately)	
30	1258134GT	BOLT,HHC,M5X16ERRING	
31	1258136GT	WASHER,LOCK,EXTERNAL TOOTH,M5	
32	1258135GT	NUT,M5-.8,ZINC	



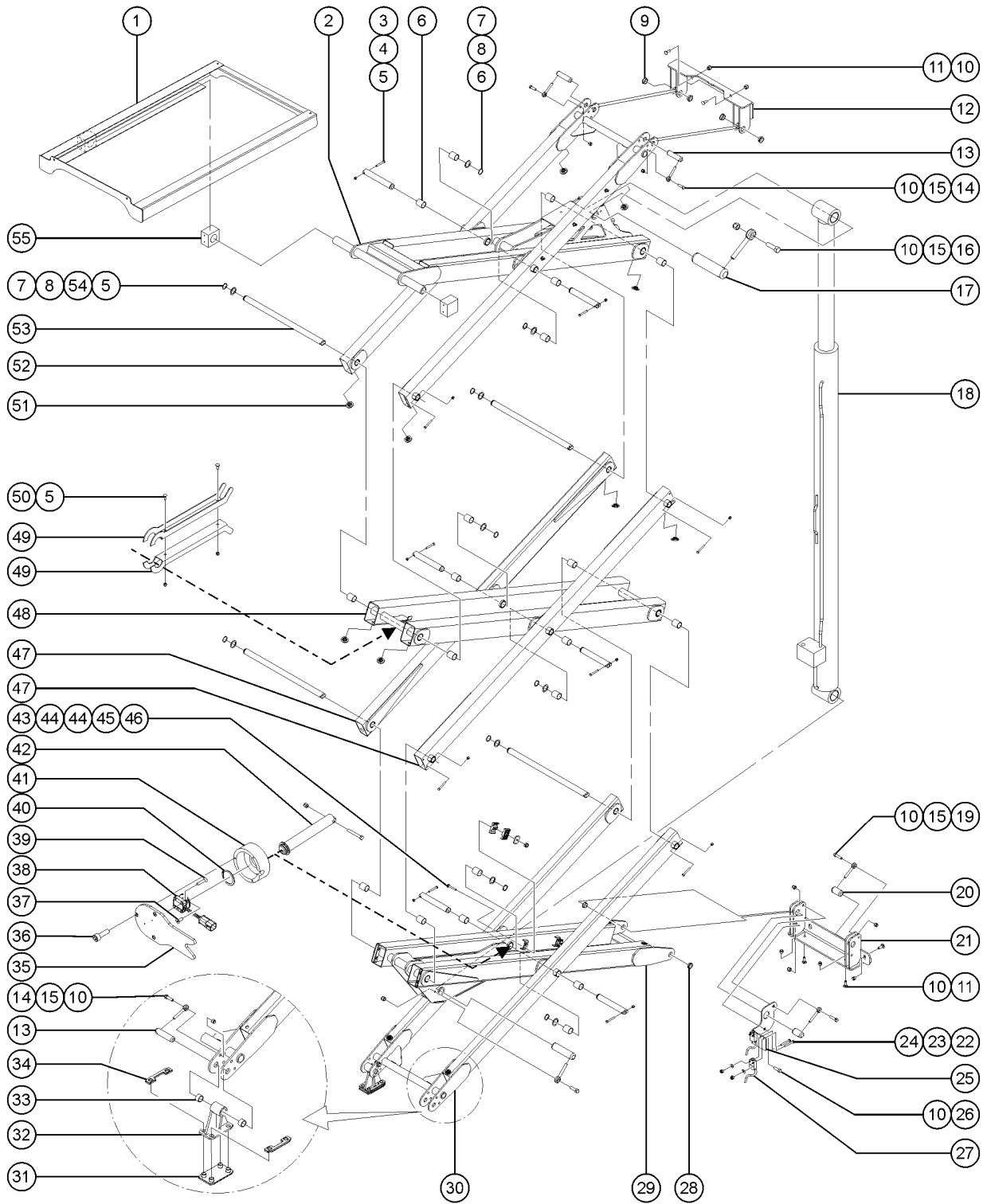
402.1 Kohler K-350 Engine, View 2



<i>Item</i>	<i>Part No.</i>	<i>Description</i>	<i>Qty.</i>
1	1255464GT	OIL FILL PLUG, KD350	1
2	826443GT	FILTER, AIR, KD350	1
3	826442GT	FILTER, FUEL, KD350	1
4	1255466GT	OIL DIPSTICK, KD350	1
5	1255467GT	FUEL SOLENOID VALVE, KD350	1
6	1255463GT	SWITCH, OIL, KD350	1
7	1255462GT	SWITCH, OIL PRESS, KD350	1
8	825435GT	CLAMP, U-BOLT, 1.25" DIA	1
9	162468GT	PIPE, DIESEL, EXHAUST	1
10	1255465GT	STARTER MOTOR, 12V, KD350	1
11	44909GT	CLAMP,HOSE,.25	2
12	822408GT	HOSE CONN. BARB, TEE, 3/16"	1
13	826575GT	FILTER, OIL, KD350	1



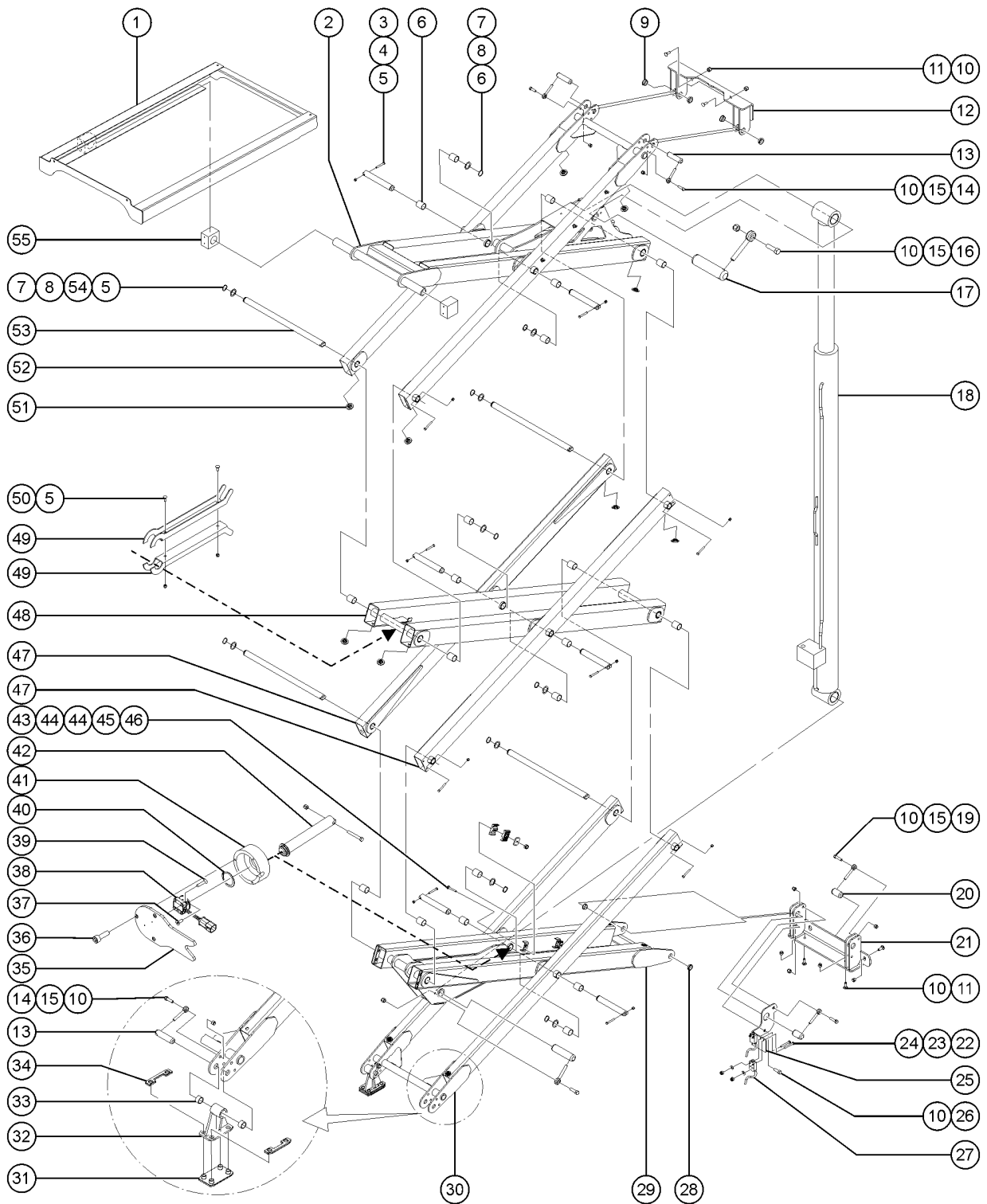
501.1 Scissor Components, View 1, GS-2669



Item	Part No.	Description	Qty.
1	131874GT	WLDMNT,PLATFORM SPACER, 2669	1
2	112127GT	ASSY,LINK,INNER #3,BLUE,2669 (includes item #6)	1
2-	105214GT	CABLE TIE MOUNT, WINGED	
2-	28443GT	CABLE TIE,11.5" BLACK	8
3	14033GT	SCREW, HHC, 3/8-16 X 2.75	6
4	148433GT	PIN,CENTER LINK,GS69	9
5	4828GT	NUT,NYLOCK,3/8-16	12
6	T108138GT	BEARING,1.50IDX1.75ODX2.00L	20
7	18383GT	SNAP RING,EXTERNAL,1.5 DIA	10
8	T108139GT	WASHER,FLAT,1.510X2.125	10
9	112375GT	BEARING,FL,1.25IDX1.50ODX.44LG	4
10	6198GT	NUT,NYLOCK,1/2-13	14
11	96977GT	BOLT,CARRIAGE,1/2-13X1.50,GR5	6
12	112229GT	WELDMENT,PLATFORM PIVOT,2669	1
13	112115GT	PIN,1.25 DIA X 5.00 LG,1 HOLE	4
14	22788GT	SCREW,HHC,1/2-13 X 1.75	4
15	1256267GT	ROD END,.5 X 3.75,ZAG	8
16	6096GT	SCREW,HHC,1/2-13 X 2 GR5	4
17	112121GT	PIN,CYLINDER,LONG	2
18		Ref. Lift Cylinders (refer to 703.1)	
19	10598GT	SCREW,HHC,1/2-13 X 3	2
20	112116GT	PIN,1.5 DIA X 2.75 LG,1 HOLE	2
21	131899GT	WELDMENT,CHASSIS LINK PVT,2669	1
22	49821GT	SCREW,PHILLIPS,PHM,8-32 X 1.25	4
23	35461GT	WASHER,FLAT,MS,#8,Y	4
24	18605GT	NUT,NYLOCK,8-32	4
25	148317GT	FORMING,DOWN LIMIT SWITCH MNT	1
26	8177GT	SCREW,HHC,1/2-13 X 1.5	1



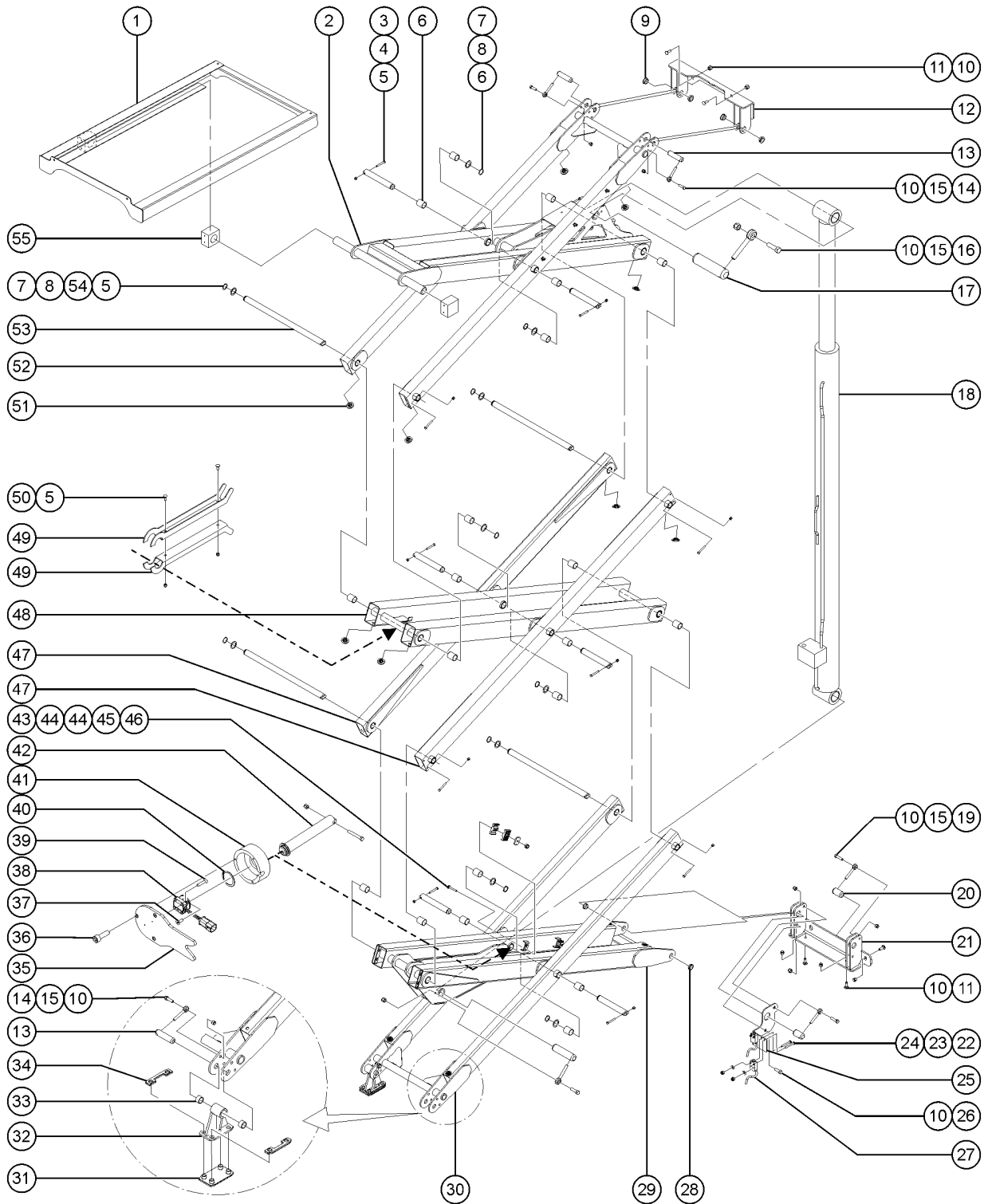
501.1 Scissor Components, View 1, GS-2669



Item	Part No.	Description	Qty.
27	148236GT	SWITCH,LIMIT,PLUNGER,SMALL	2
28	112350GT	BEARING,FLG,1.50IDX1.75ODX.5LG	2
29	112123GT	ASSY,LINK,INNER #1,GS69 (includes item #6 and item #28)	1
30	112070GT	WELDMENT,LINK,OUTER #1	1
31	112099GT	WEAR PAD,SLIDER FOOT,LOWER	2
32	131903GT	WELDMENT,SLIDER FOOT, GS2669	2
33	30434GT	BEARING,1.25IDX1.50ODX0.88L	4
34	112100GT	WEAR PAD,SLIDER FOOT,UPPER	4
35	1288162GT	PLATE,LOCK,ANGLE SENSE,GS69 from SN GS69F-18000	1
36	1295341GT	SCREW,SHC,10-24X.625,F837,18-8,SS from SN GS69F-18000	3
37	1295339GT	SCREW,FHS,M3-.5X8,DIN7991,A2-70,SS from SN GS69F-18000	2
38	1293266GT	ASSY,ROTARY SENSOR,130DEG,CW,CCW from SN GS69F-18000	1
39	1295340GT	SCREW,FHS,M3-.5X14,DIN7991,A2-70,SS from SN GS69F-18000	2
40	18383GT	SNAP RING,EXTERNAL,1.5 DIA from SN GS69F-18000	1
41	1288047GT	HOUSING,ANGLE SENSOR,1.50PIN from SN GS69F-18000	1
42	1294247GT	ASSY,AS LINK PIN,MID,GS69 from SN GS69F-18000	1
42-	1288048GT	PIN,ANGLE SENSOR,1.50X10.70	
42-	18383GT	SNAP RING,EXTERNAL,1.5 DIA	
42-	T108139GT	WASHER,FLAT,1.510X2.125	
42-	14033GT	SCREW, HHC, 3/8-16 X 2.75	
42-	4828GT	NUT,NYLOCK,3/8-16	
43	96905GT	BOLT,CARRIAGE,1/4-20 X 2.5,G2	
44	78736GT	CLAMP,2 HOSE,PLASTIC,5/8	8
45	1254245GT	PLATE,HOSE ROUTING,BULKHEAD black	4
46	6091GT	NUT,NYLOCK,1/4-20	
47	T108137GT	WLDMT,LINK,OUTER,#2 (decals not included, refer to section 100)	1
48	112124GT	ASSY,LINK,INNER #2,GS69 (includes item #6) (decals not included, refer to section 100)	1
49	1254192GT	FORMING,SERVICE CHOCK	2



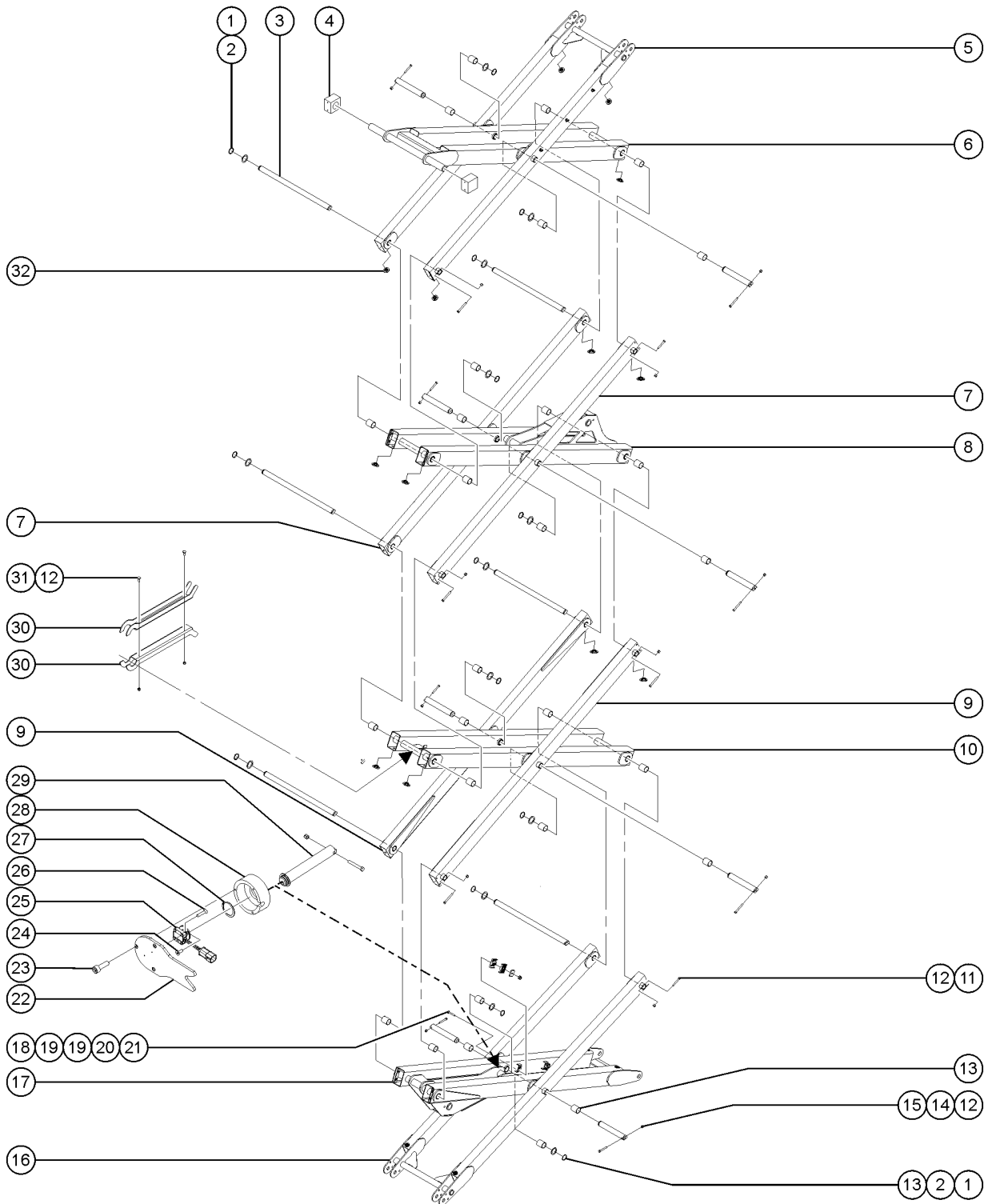
501.1 Scissor Components, View 1, GS-2669



<i>Item</i>	<i>Part No.</i>	<i>Description</i>	<i>Qty.</i>
50	64154GT	BOLT,CARRIAGE,3/8-16 X1.00,G5	2
51	T109734GT	BUMPER,LINK,GS69	16
52	112076GT	WELDMENT,LINK,TOP OUTER,GS69	1
52-	28443GT	CABLE TIE,11.5" BLACK	8
53	148434GT	PIN,END LINK,GS69	4
54	6326GT	SCREW,HHC,3/8-16 X 3	4
55	112708GT	SLIDER BLOCK, GS69	2



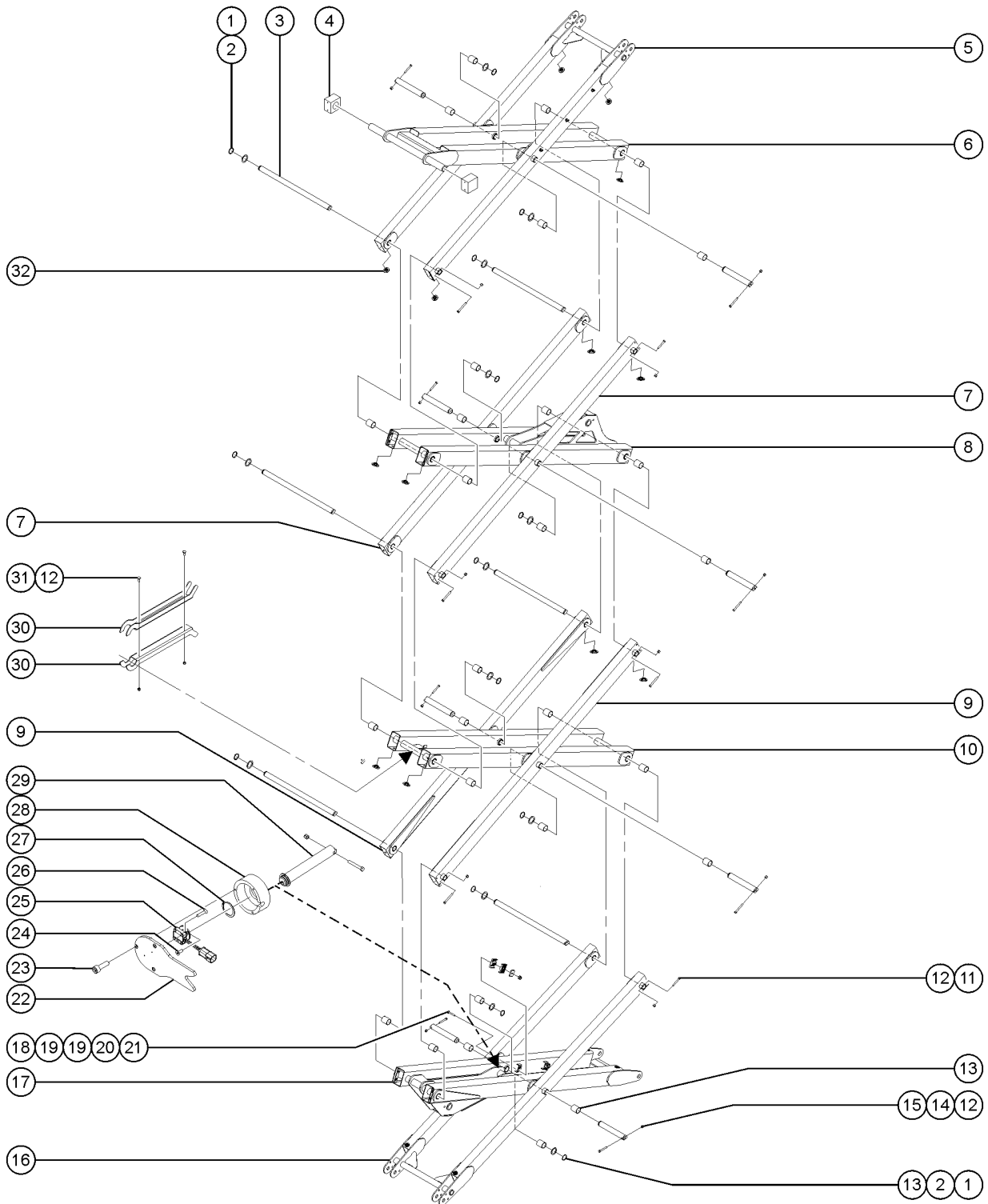
502.1 Scissor Components, View 1, GS-3369



Item	Part No.	Description	Qty.
1	18383GT	SNAP RING,EXTERNAL,1.5 DIA	14
2	T108139GT	WASHER,FLAT,1.510X2.125	14
3	148434GT	PIN,END LINK,GS69	6
4	112708GT	SLIDER BLOCK, GS69	2
5	112076GT	WELDMENT,LINK,TOP OUTER,GS69	1
5-	40928GT	CABLE TIE,BUTTON,BLACK,10.00LG	
6	112134GT	ASSY,LINK,INR #4-3369,#5-4069 (includes item #13)	1
7	112072GT	WELDMENT,LINK,OUTER #2,3,4	2
8	131687GT	ASSY,LINK,INNER #3, 3369 (includes item #13)	1
9	T108137GT	WLDMT,LINK,OUTER,#2 (decals not included, refer to section 100)	1
10	112124GT	ASSY,LINK,INNER #2,GS69 (includes item #13)	1
11	6326GT	SCREW,HHC,3/8-16 X 3	
12	4828GT	NUT,NYLOCK,3/8-16	
13	T108138GT	BEARING,1.50IDX1.75ODX2.00L	28
14	148433GT	PIN,CENTER LINK,GS69	8
15	14033GT	SCREW, HHC, 3/8-16 X 2.75	
16	112070GT	WELDMENT,LINK,OUTER #1	1
17	112123GT	ASSY,LINK,INNER #1,GS69 (includes item #13)	1
18	96905GT	BOLT,CARRIAGE,1/4-20 X 2.5,G2	4
19	78736GT	CLAMP,2 HOSE,PLASTIC,5/8	8
20	1254245GT	PLATE,HOSE ROUTING,BULKHEAD black	4
21	6091GT	NUT,NYLOCK,1/4-20	4
22	1288162GT	PLATE,LOCK,ANGLE SENSE,GS69 from SN GS69F-18000	1
23	1295341GT	SCREW,SHC,10-24X.625,F837,18-8,SS from SN GS69F-18000	3
24	1295339GT	SCREW,FHS,M3-.5X8,DIN7991,A2-70,SS from SN GS69F-18000	2
25	1293266GT	ASSY,ROTARY SENSOR,130DEG,CW,CCW from SN GS69F-18000	1
26	1295340GT	SCREW,FHS,M3-.5X14,DIN7991,A2-70,SS from SN GS69F-18000	2
27	18383GT	SNAP RING,EXTERNAL,1.5 DIA from SN GS69F-18000	1



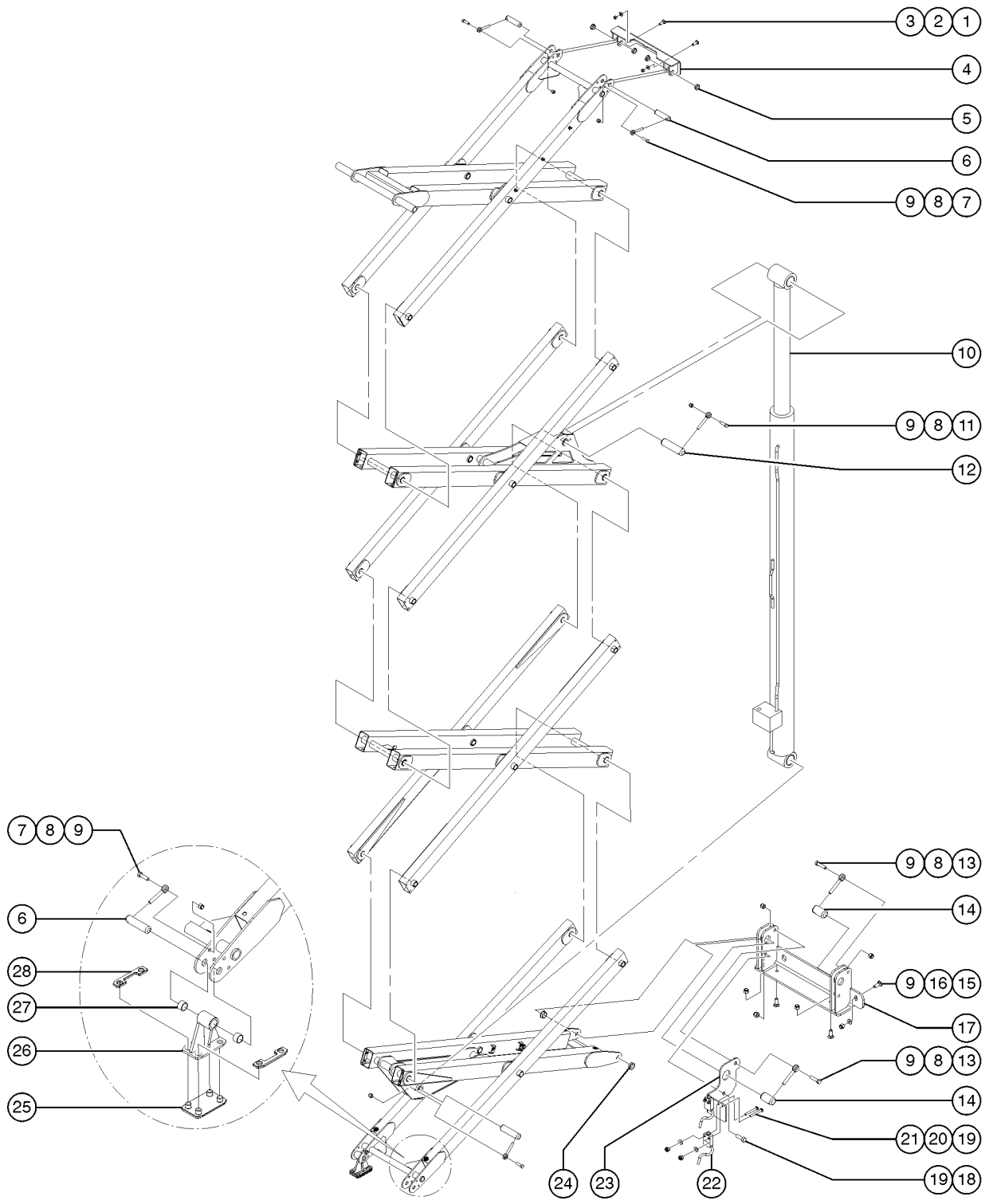
502.1 Scissor Components, View 1, GS-3369



<i>Item</i>	<i>Part No.</i>	<i>Description</i>	<i>Qty.</i>
28	1288047GT	HOUSING,ANGLE SENSOR,1.50PIN from SN GS69F-18000	1
29	1294247GT	ASSY,AS LINK PIN,MID,GS69 from SN GS69F-18000	1
29-	1288048GT	PIN,ANGLE SENSOR,1.50X10.70	
29-	18383GT	SNAP RING,EXTERNAL,1.5 DIA	
29-	T108139GT	WASHER,FLAT,1.510X2.125	
29-	14033GT	SCREW, HHC, 3/8-16 X 2.75	
29-	4828GT	NUT,NYLOCK,3/8-16	
30	1254192GT	FORMING,SERVICE CHOCK	2
31	64154GT	BOLT,CARRIAGE,3/8-16 X1.00,G5	2
32	T109734GT	BUMPER,LINK,GS69	24



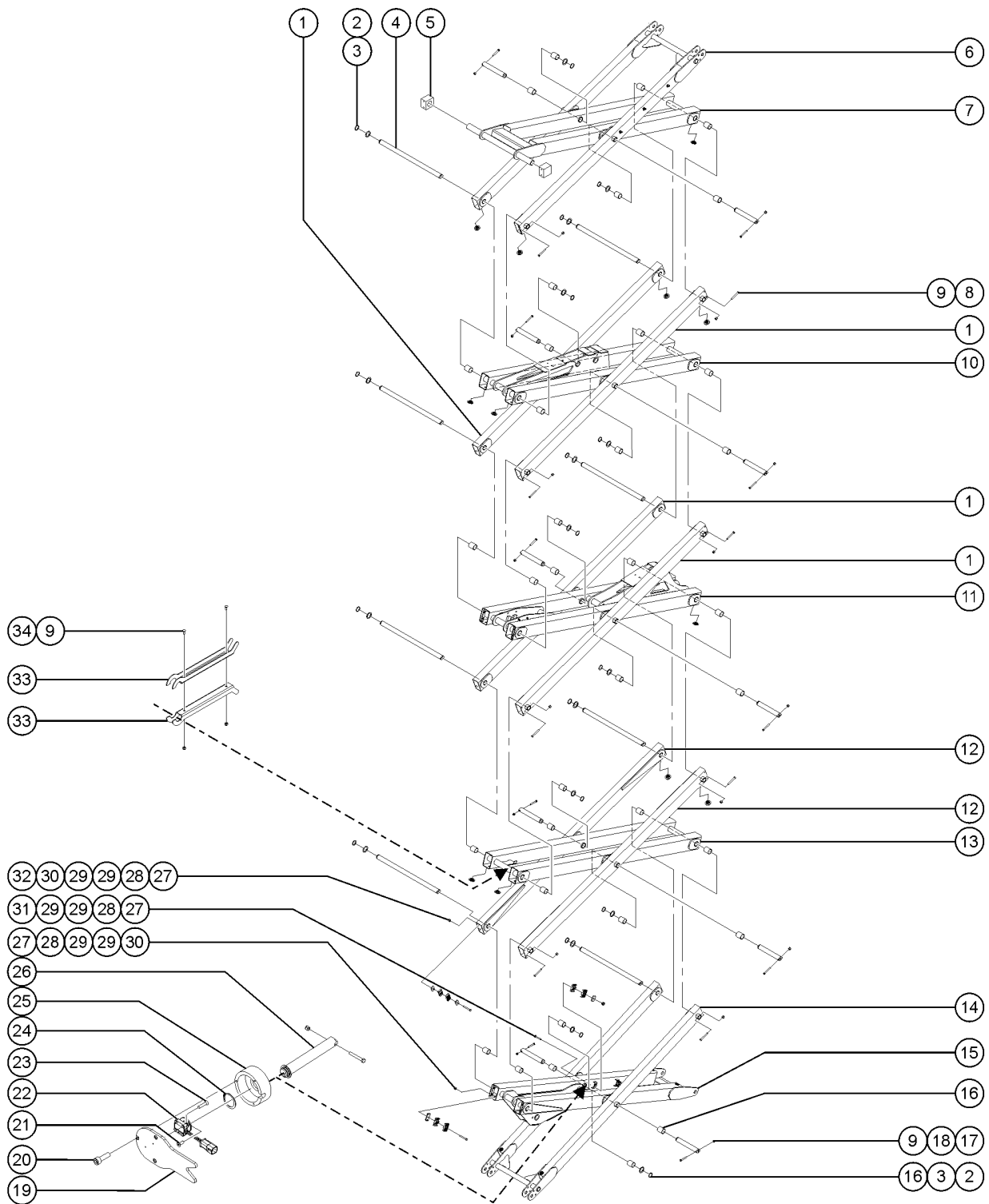
503.1 Scissor Components, View 2, GS-3369



Item	Part No.	Description	Qty.
1	96977GT	BOLT,CARRIAGE,1/2-13X1.50,GR5	
2	6097GT	WASHER,FLAT,USS,3/8",Y	
3	4828GT	NUT,NYLOCK,3/8-16	
4	112136GT	WELDMENT,PLAT PIVOT,33/4069	1
5	112375GT	BEARING,FL,1.25IDX1.50ODX.44LG	4
6	112115GT	PIN,1.25 DIA X 5.00 LG,1 HOLE	4
7	22788GT	SCREW,HHC,1/2-13 X 1.75	
8	1256267GT	ROD END,.5 X 3.75,ZAG	8
9	6198GT	NUT,NYLOCK,1/2-13	
10		Ref. Lift Cylinders (refer to 703.1)	
11	6096GT	SCREW,HHC,1/2-13 X 2 GR5	
12	112121GT	PIN,CYLINDER,LONG	2
13	10598GT	SCREW,HHC,1/2-13 X 3	2
14	112116GT	PIN,1.5 DIA X 2.75 LG,1 HOLE	2
15	96203GT	BOLT,CARRIAGE,1/2-13X1.75, G5	2
16	6095GT	WASHER,FLAT,USS,1/2",Y	
17	112210GT	WLDMT,CHASSIS LINK PVT,33/4069	1
18	8177GT	SCREW,HHC,1/2-13 X 1.5	
19	49821GT	SCREW,PHILLIPS,PHM,8-32 X 1.25	
20	35461GT	WASHER,FLAT,MS,#8,Y	
21	18605GT	NUT,NYLOCK,8-32	
22	148236GT	SWITCH,LIMIT,PLUNGER,SMALL	2
23	148317GT	FORMING,DOWN LIMIT SWITCH MNT	1
24	112350GT	BEARING,FLG,1.50IDX1.75ODX.5LG	2
25	112099GT	WEAR PAD,SLIDER FOOT,LOWER	2
26	112177GT	WELDMENT,SLIDER FOOT, 32/4069	2
27	30434GT	BEARING,1.25IDX1.50ODX0.88L	4
28	112100GT	WEAR PAD,SLIDER FOOT,UPPER	4



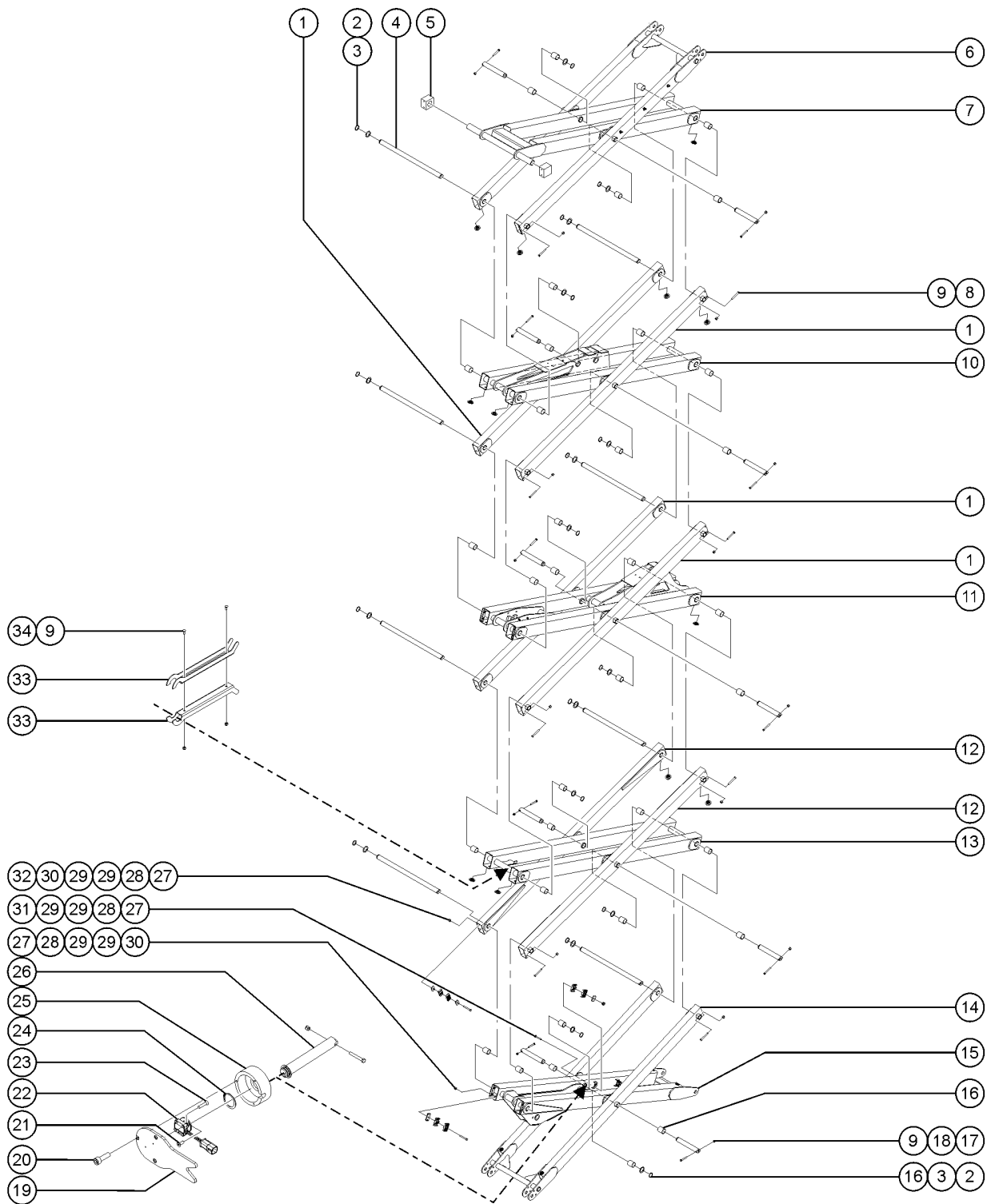
504.1 Scissor Components, View 1, GS-4069



Item	Part No.	Description	Qty.
1	112072GT	WELDMENT, LINK, OUTER #2,3,4	4
2	18383GT	SNAP RING, EXTERNAL, 1.5 DIA	18
3	T108139GT	WASHER, FLAT, 1.510X2.125	
4	148434GT	PIN, END LINK, GS69	8
5	112708GT	SLIDER BLOCK, GS69	2
6	112076GT	WELDMENT, LINK, TOP OUTER, GS69	1
7	112134GT	ASSY, LINK, INR #4-3369, #5-4069 (includes item #16)	1
8	6326GT	SCREW, HHC, 3/8-16 X 3	
9	4828GT	NUT, NYLOCK, 3/8-16	
10	112126GT	ASSY, LINK, INNER #4, 4069 (includes item #16)	1
11	112125GT	ASSY, LINK, INNER #3, 4069 (includes item #16)	1
12	T108137GT	WLDMT, LINK, OUTER, #2 (decals not included, refer to section 100)	1
13	112124GT	ASSY, LINK, INNER #2, GS69 (includes item #16)	1
14	112070GT	WELDMENT, LINK, OUTER #1	1
15	112123GT	ASSY, LINK, INNER #1, GS69	1
15-	40928GT	CABLE TIE, BUTTON, BLACK, 10.00LG	
16	T108138GT	BEARING, 1.50IDX1.75ODX2.00L	
17	14033GT	SCREW, HHC, 3/8-16 X 2.75	
18	148433GT	PIN, CENTER LINK, GS69	10
19	1288162GT	PLATE, LOCK, ANGLE SENSE, GS69 from SN GS69F-18000	1
20	1295341GT	SCREW, SHC, 10-24X.625, F837, 18-8, SS from SN GS69F-18000	3
21	1295339GT	SCREW, FHS, M3-.5X8, DIN7991, A2-70, SS from SN GS69F-18000	2
22	1293266GT	ASSY, ROTARY SENSOR, 130DEG, CW, CCW from SN GS69F-18000	1
23	1295340GT	SCREW, FHS, M3-.5X14, DIN7991, A2-70, SS from SN GS69F-18000	2
24	18383GT	SNAP RING, EXTERNAL, 1.5 DIA from SN GS69F-18000	1
25	1288047GT	HOUSING, ANGLE SENSOR, 1.50PIN from SN GS69F-18000	1
26	1294247GT	ASSY, AS LINK PIN, MID, GS69 from SN GS69F-18000	1
26-	1288048GT	PIN, ANGLE SENSOR, 1.50X10.70	



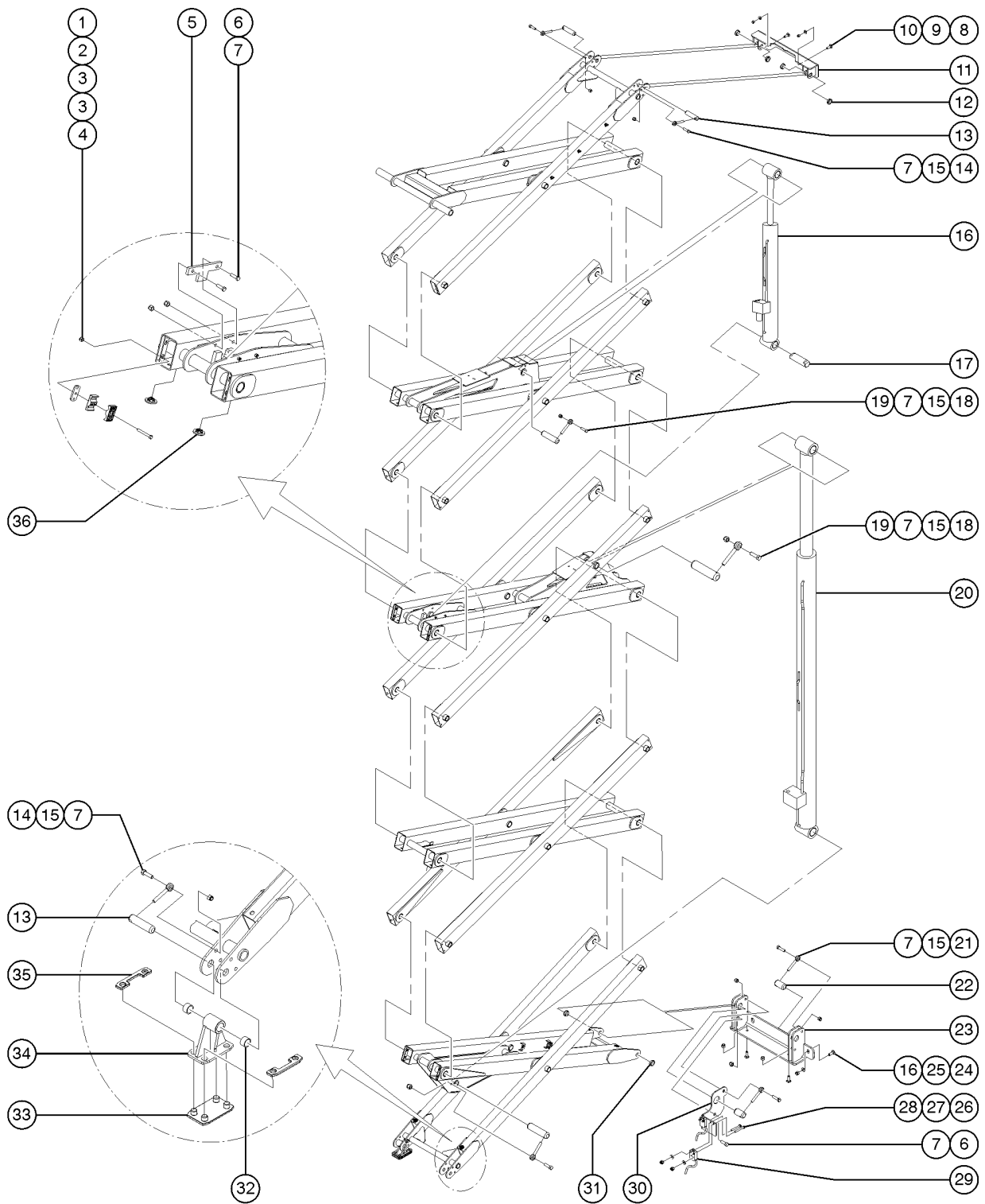
504.1 Scissor Components, View 1, GS-4069



<i>Item</i>	<i>Part No.</i>	<i>Description</i>	<i>Qty.</i>
26-	18383GT	SNAP RING,EXTERNAL,1.5 DIA	
26-	T108139GT	WASHER,FLAT,1.510X2.125	
26-	14033GT	SCREW, HHC, 3/8-16 X 2.75	
26-	4828GT	NUT,NYLOCK,3/8-16	
27	6091GT	NUT,NYLOCK,1/4-20	
28	1254245GT	PLATE,HOSE ROUTING,BULKHEAD black	4
29	78736GT	CLAMP,2 HOSE,PLASTIC,5/8	14
30	4266GT	SCREW,HHC,1/4-20 X 2	
31	96905GT	BOLT,CARRIAGE,1/4-20 X 2.5,G2	
32	228103GT	PLATE,BACKING,LINKS	
33	1254192GT	FORMING,SERVICE CHOCK	2
34	64154GT	BOLT,CARRIAGE,3/8-16 X1.00,G5	2



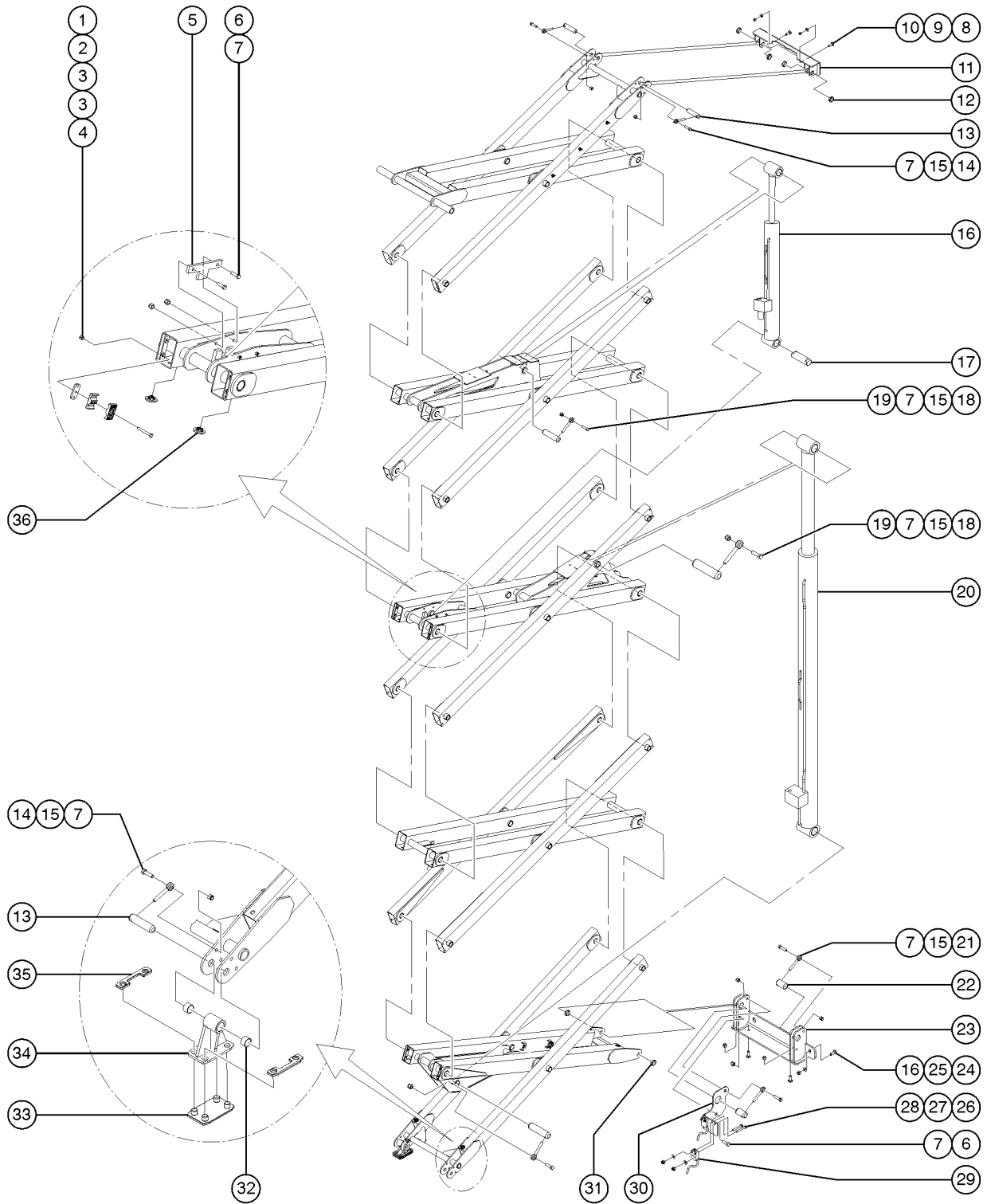
505.1 Scissor Components, View 2, GS-4069



Item	Part No.	Description	Qty.
1	6091GT	NUT,NYLOCK,1/4-20	
2	1254245GT	PLATE,HOSE ROUTING,BULKHEAD black	4
3	78736GT	CLAMP,2 HOSE,PLASTIC,5/8	2
4	4266GT	SCREW,HHC,1/4-20 X 2	
5	112106GT	PLATE,UPR CYL,PIN RETAINR 4069	2
6	8177GT	SCREW,HHC,1/2-13 X 1.5	
7	6198GT	NUT,NYLOCK,1/2-13	
8	96977GT	BOLT,CARRIAGE,1/2-13X1.50,GR5	
9	6097GT	WASHER,FLAT,USS,3/8",Y	
10	4828GT	NUT,NYLOCK,3/8-16	
11	112136GT	WELDMENT,PLAT PIVOT,33/4069	1
12	112375GT	BEARING,FL,1.25IDX1.50ODX.44LG	
13	112115GT	PIN,1.25 DIA X 5.00 LG,1 HOLE	4
14	22788GT	SCREW,HHC,1/2-13 X 1.75	
15	1256267GT	ROD END,.5 X 3.75,ZAG	9
16		Ref. Lift Cylinders, Upper (refer to 703.1)	
17	235122GT	PIN,UPPER CYLINDER	1
18	6096GT	SCREW,HHC,1/2-13 X 2 GR5	
19	112121GT	PIN,CYLINDER,LONG	3
20		Ref. Lift Cylinders (refer to 703.1)	
21	10598GT	SCREW,HHC,1/2-13 X 3	
22	112116GT	PIN,1.5 DIA X 2.75 LG,1 HOLE	2
23	112210GT	WLDMT,CHASSIS LINK PVT,33/4069	1
24	96203GT	BOLT,CARRIAGE,1/2-13X1.75, G5	
25	6095GT	WASHER,FLAT,USS,1/2",Y	
26	49821GT	SCREW,PHILLIPS,PHM,8-32 X 1.25	
27	35461GT	WASHER,FLAT,MS,#8,Y	
28	18605GT	NUT,NYLOCK,8-32	



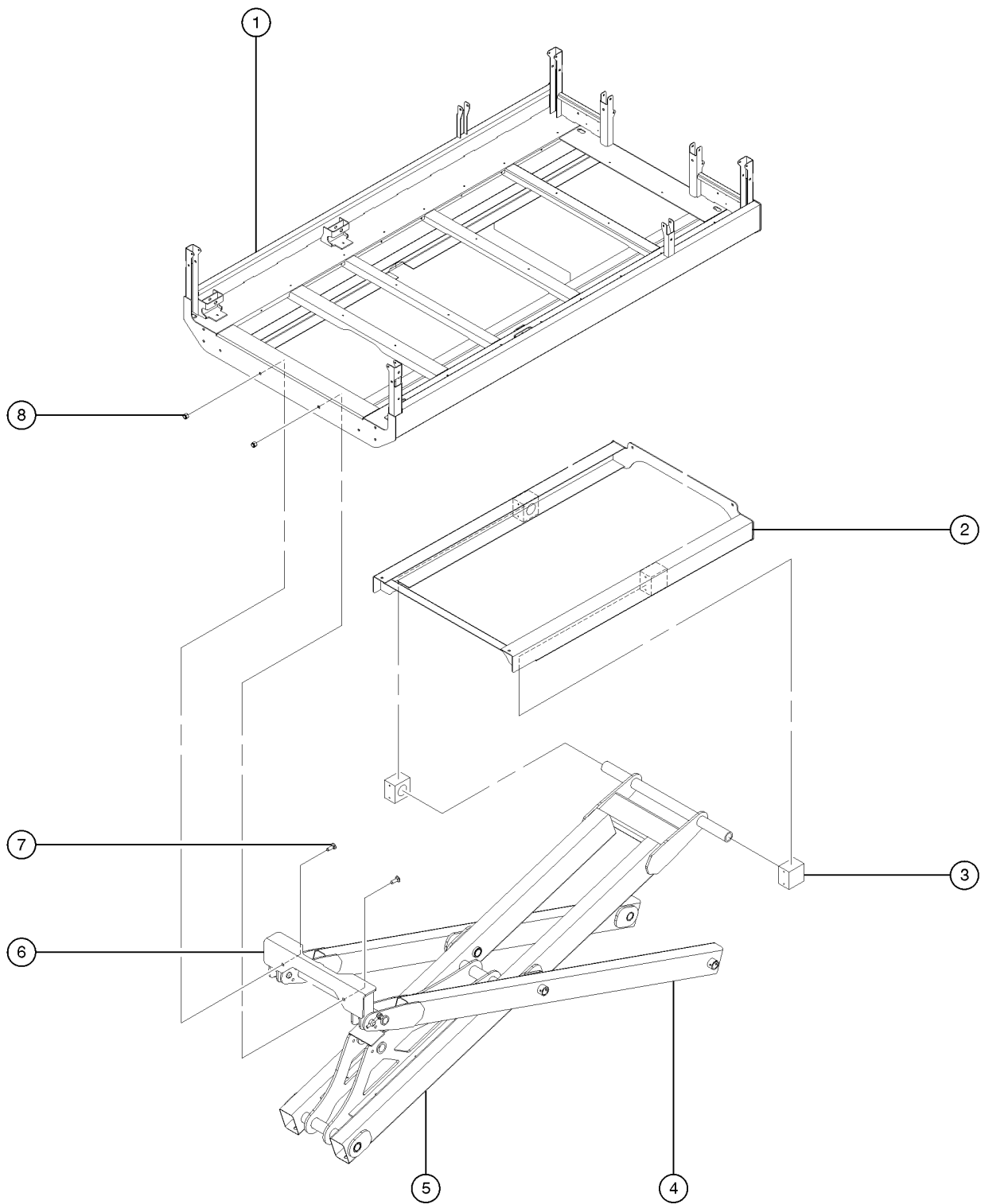
505.1 Scissor Components, View 2, GS-4069



<i>Item</i>	<i>Part No.</i>	<i>Description</i>	<i>Qty.</i>
29	148236GT	SWITCH,LIMIT,PLUNGER,SMALL	2
30	148317GT	FORMING,DOWN LIMIT SWITCH MNT	1
31	112350GT	BEARING,FLG,1.50IDX1.75ODX.5LG	2
32	30434GT	BEARING,1.25IDX1.50ODX0.88L	4
33	112099GT	WEAR PAD,SLIDER FOOT,LOWER	2
34	112177GT	WELDMENT,SLIDER FOOT, 32/4069	2
35	112100GT	WEAR PAD,SLIDER FOOT,UPPER	4
36	T109734GT	BUMPER,LINK,GS69	32



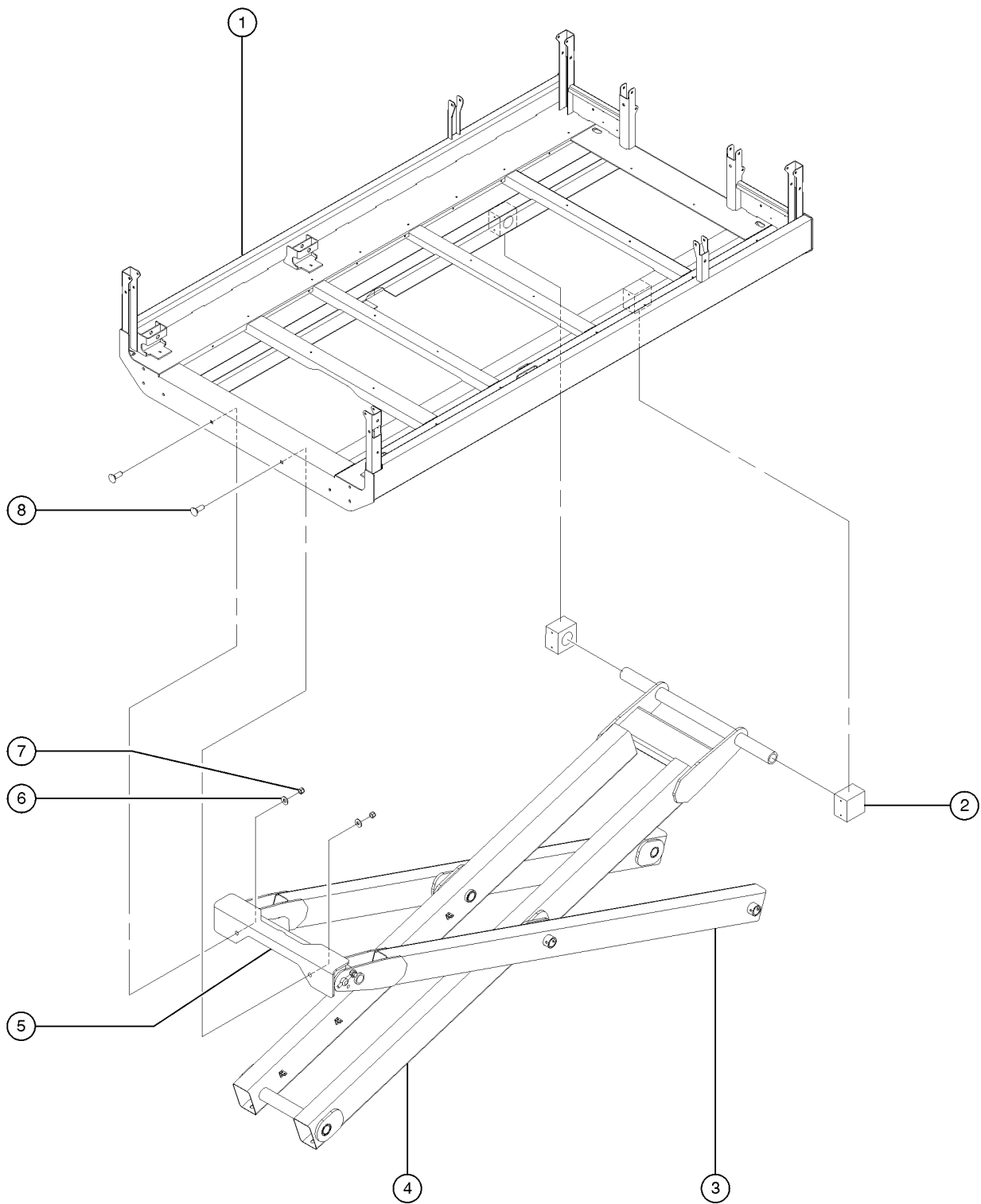
601.1 Platform Installation, GS-2669



<i>Item</i>	<i>Part No.</i>	<i>Description</i>	<i>Qty.</i>
1	112703GT	WELDMENT,MAIN PLATFORM,GS69 (decals not included, refer to section 100)	1
2		Ref. WLDMNT,PLATFORM SPACER, 2669 (refer to 501.1)	1
3	112708GT	SLIDER BLOCK, GS69	2
4	112076GT	WELDMENT,LINK,TOP OUTER,GS69	1
5	112083GT	WELDMNT,LINK,TOP INNER,32/4069	1
6	112136GT	WELDMENT,PLAT PIVOT,33/4069	1
7	96977GT	BOLT,CARRIAGE,1/2-13X1.50,GR5	2
8	6198GT	NUT,NYLOCK,1/2-13	2



602.1 Platform Installation, GS-3369 & GS-4069

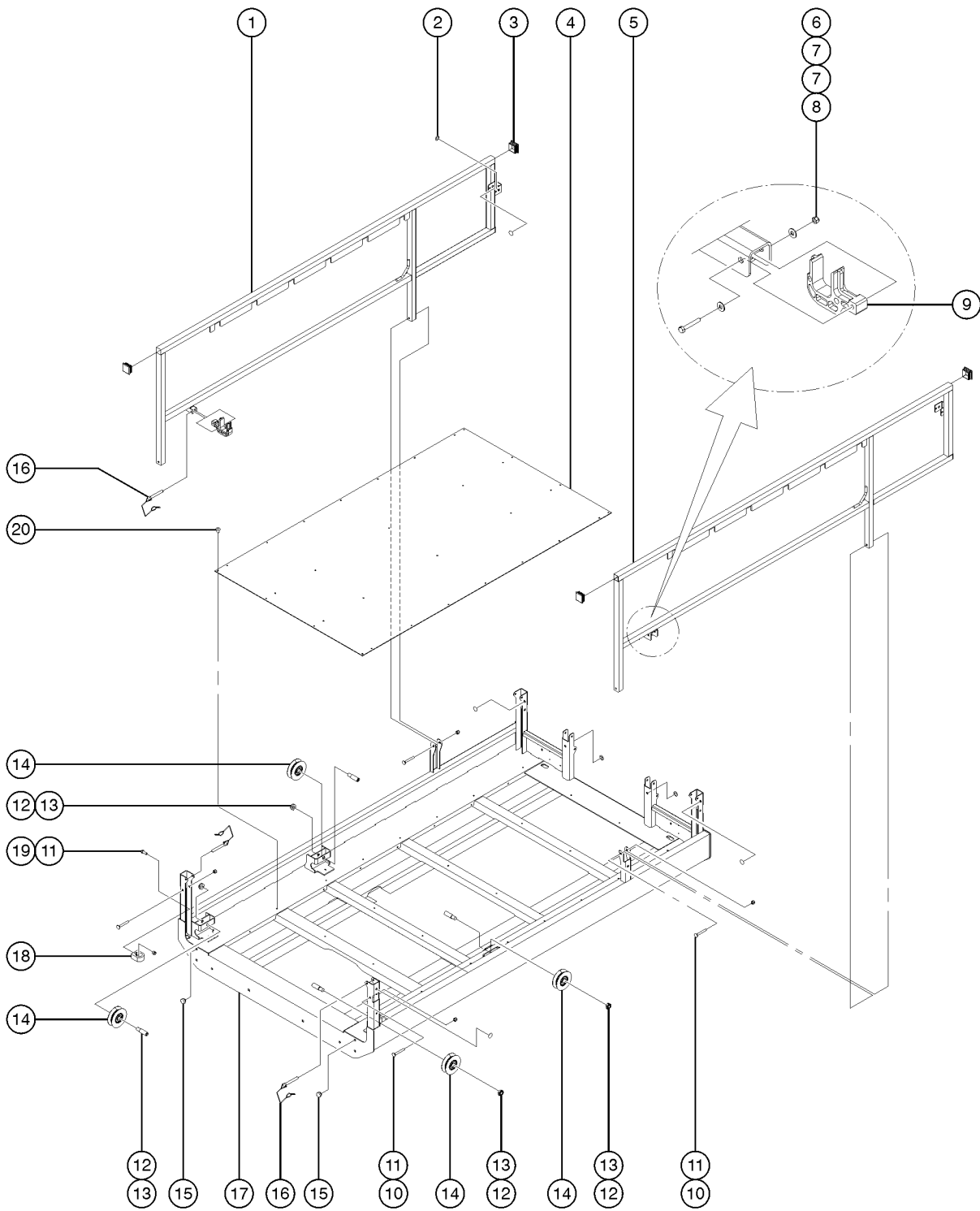


602.1 Platform Installation, GS-3369 & GS-4069

<i>Item</i>	<i>Part No.</i>	<i>Description</i>	<i>Qty.</i>
1	112703GT	WELDMENT,MAIN PLATFORM,GS69 (decals not included, refer to section 100)	1
2	112708GT	SLIDER BLOCK, GS69	2
3	112076GT	WELDMENT,LINK,TOP OUTER,GS69	1
4	112134GT	ASSY,LINK,INR #4-3369,#5-4069 (bearings included)	1
5	148450GT	ASSY,LINK MOUNT,TOP,GS69	1
6	6097GT	WASHER,FLAT,USS,3/8",Y	
7	4828GT	NUT,NYLOCK,3/8-16	
8	96977GT	BOLT,CARRIAGE,1/2-13X1.50,GR5	



603.1 Platform Railing Installation

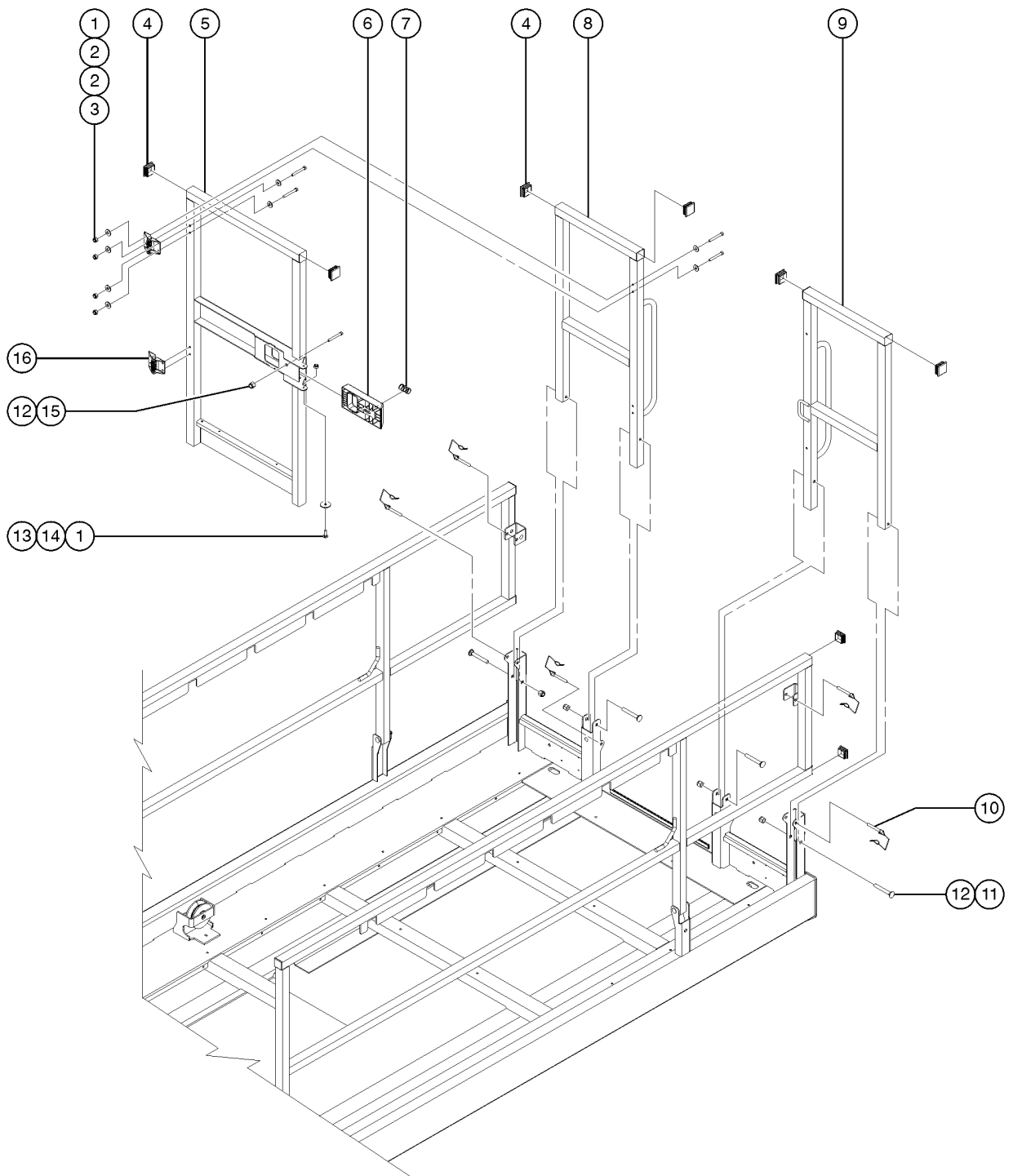


603.1 Platform Railing Installation

<i>Item</i>	<i>Part No.</i>	<i>Description</i>	<i>Qty.</i>
1	131744GT	WELDMENT,MAIN RAIL,RIGHT (decals not included, refer to section 100)	1
2	47478GT	BUMPER, RUBBER, 1"OD X .461H	10
3	79355GT	PLUG,TUBE,SQ 1.50X.065	6
4	131749GT	PLATE,GS69 DECK	1
5	131745GT	WELDMENT,MAIN RAIL,LEFT (decals not included, refer to section 100)	1
6	6091GT	NUT,NYLOCK,1/4-20	
7	6638GT	WASHER,FLAT,USS,1/4"Y	
8	6637GT	SCREW,HHC,1/4-20 X 1.75	
9	71376GT	RAIL SPACER, GS90	2
10	112476GT	BOLT,CARRIAGE,3/8-16X2.75,G5	
11	4828GT	NUT,NYLOCK,3/8-16	
12	38028GT	NUT,LP NYLOCK,5/8-11	
13	87568GT	PIN, SHOULDER, 5/8-11 X 1.77	4
14	131416GT	V-ROLLER,NARROW,EXT DECK	4
15	47230GT	BUMPER,RUBBER	2
16	66030GT	PIN, WIRE LOCK 3/8 X 2 -1/2	4
17		Ref., WELDMENT, MAIN PLATFORM (refer to 601.1 & 602.1)	
18	87523GT	COIL CORD CLIP	1
19	6175GT	SCREW,HHC,3/8-16 X 1	
20	71315GT	RIVET,DRIVE, .25 X .25	24



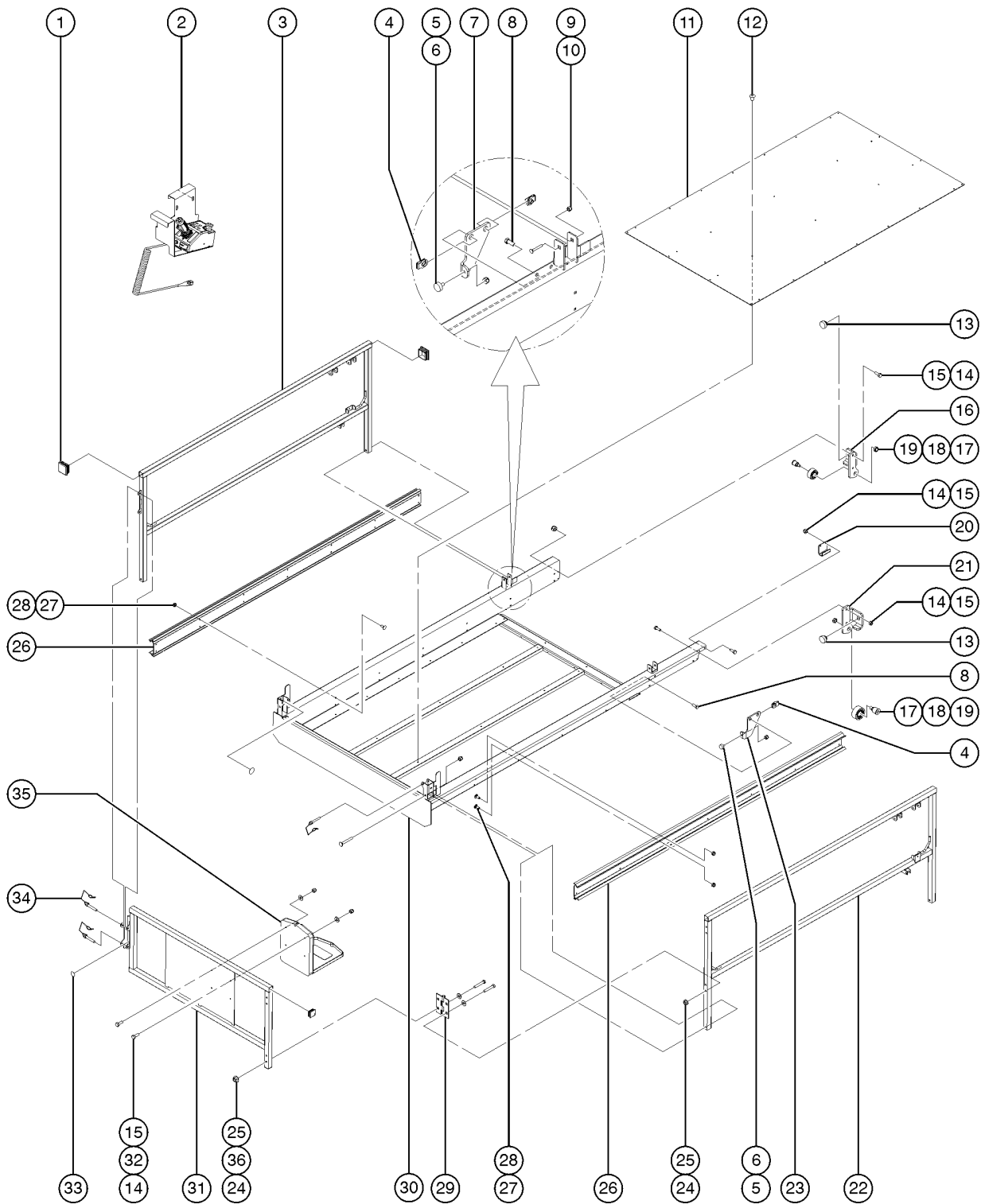
604.1 Platform Entry Gate



<i>Item</i>	<i>Part No.</i>	<i>Description</i>	<i>Qty.</i>
1	6889GT	NUT,LP NYLOCK,1/4-20	
2	6638GT	WASHER,FLAT,USS,1/4"Y	
3	4266GT	SCREW,HHC,1/4-20 X 2	8
4	79355GT	PLUG,TUBE,SQ 1.50X.065	10
5	87320-SGT	WELDMENT,ENTRY GATE	1
6	112543GT	SLIDER, GATE CATCH	1
7	22446GT	SPRING,COMPRESSION .835 X 2	1
8	131747GT	WELDMENT,MAIN,A-RAIL,RIGHT	1
9	131746GT	REF. WELDMENT,MAIN,A-RAIL,LEFT	1
10	66030GT	PIN, WIRE LOCK 3/8 X 2 -1/2	4
11	112476GT	BOLT,CARRIAGE,3/8-16X2.75,G5	
12	4828GT	NUT,NYLOCK,3/8-16	
13	6878GT	BOLT,CARRIAGE,1/4-20 X .75,G2	
14	47793GT	BUMPER, MODULE TRAY	1
15	6708GT	SCREW,HHC,3/8-16 X 2.25	
16	104804GT	HINGE, SPRING, LONG LEG	2



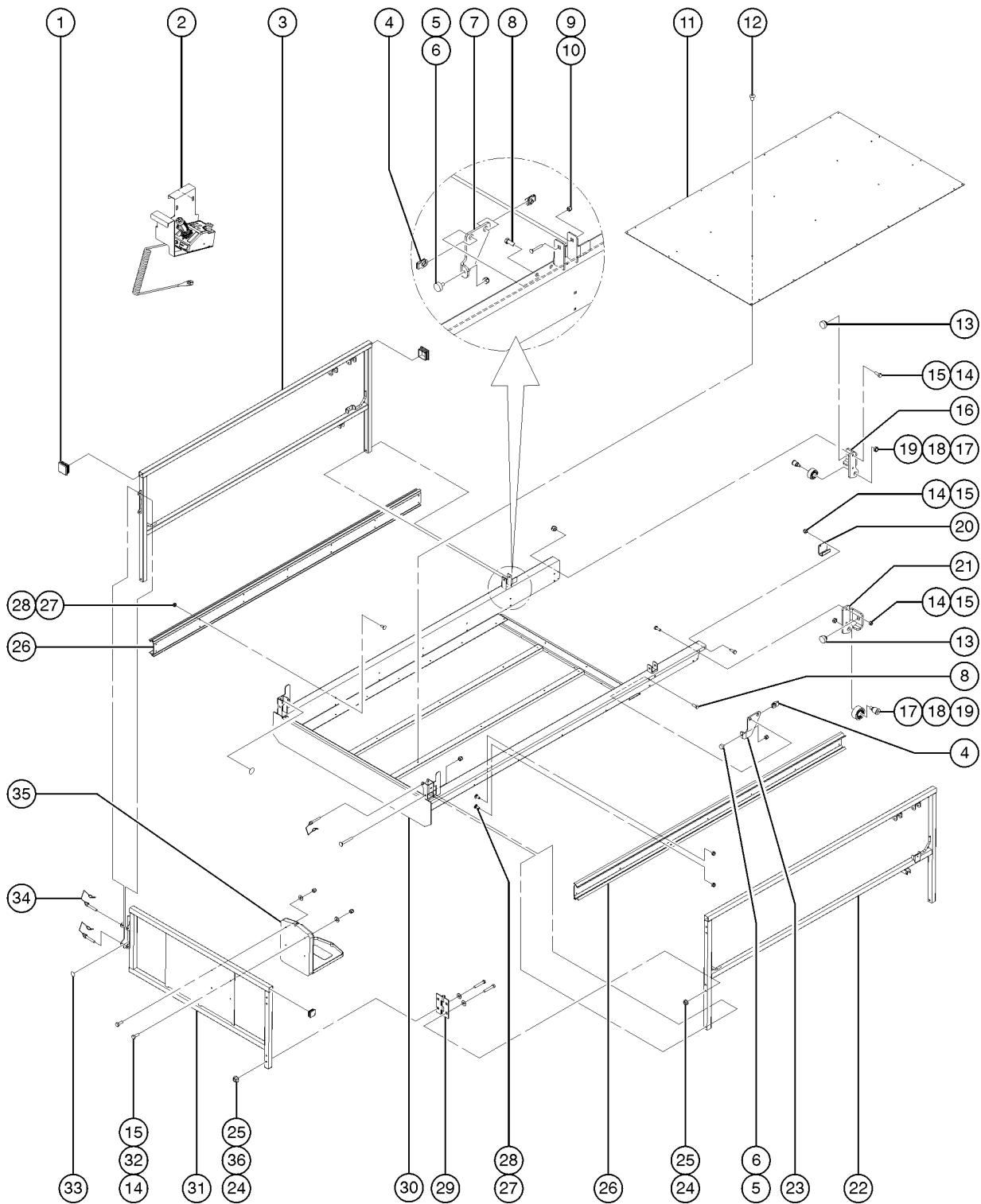
605.1 Platform Extension



Item	Part No.	Description	Qty.
-	33550GT	TAPE,WARNING,BLK/YEL, 50**** (CE and Australia models only)	1
1	79355GT	PLUG,TUBE,SQ 1.50X.065	8
2		Ref. Platform Controller (refer to 608.1)	
3	131743GT	WELDMENT,SIDE EXT RAIL,RIGHT (decals not included, refer to section 100)	1
4	29868GT	SPRING CLIP,3/8-16,.05-.20X.73,ZAG	4
5	79090GT	BUMPER, 1.00 X .375 X 5/16	2
6	6782GT	NUT, NYLOCK, 5/16-18	
7	99268GT	FORMING,PLATFORM STOP.LEFT	1
8	6175GT	SCREW,HHC,3/8-16 X 1	
9	112476GT	BOLT,CARRIAGE,3/8-16X2.75,G5	
10	4828GT	NUT,NYLOCK,3/8-16	
11	131749GT	PLATE,GS69 DECK	1
12	71315GT	RIVET,DRIVE, .25 X .25	24
13	47230GT	BUMPER,RUBBER	2
14	6090GT	SCREW,HHC,1/4-20 X .75	
15	6091GT	NUT,NYLOCK,1/4-20	
16	87570GT	FORMING,EXT DECK STOP,RIGHT	1
17	7713GT	NUT, LP NYLOCK, 3/8-16	
18	38016GT	ROLLER,PLASTIC,AWP96**	2
19	35706GT	BOLT,ROLLER,.470"(SHORT)	2
20	87675GT	FORMING,EXT DECK CATCH	2
21	87571GT	FORMING,EXT DECK STOP,LEFT	2
22	131741GT	WELDMENT,SIDE EXT RAIL,LEFT (decals not included, refer to section 100)	1
23	99267GT	FORMING,PLATFORM STOP,RIGHT	1
24	48425GT	NUT,FLG-LRG,3/8-16,YZ	
25	6708GT	SCREW,HHC,3/8-16 X 2.25	
26	131751GT	EXTRUSION,ALUM,V-ROLLER TRK	2
27	87645GT	BOLT,CARRIAGE,1/4-20 X .63,G2	



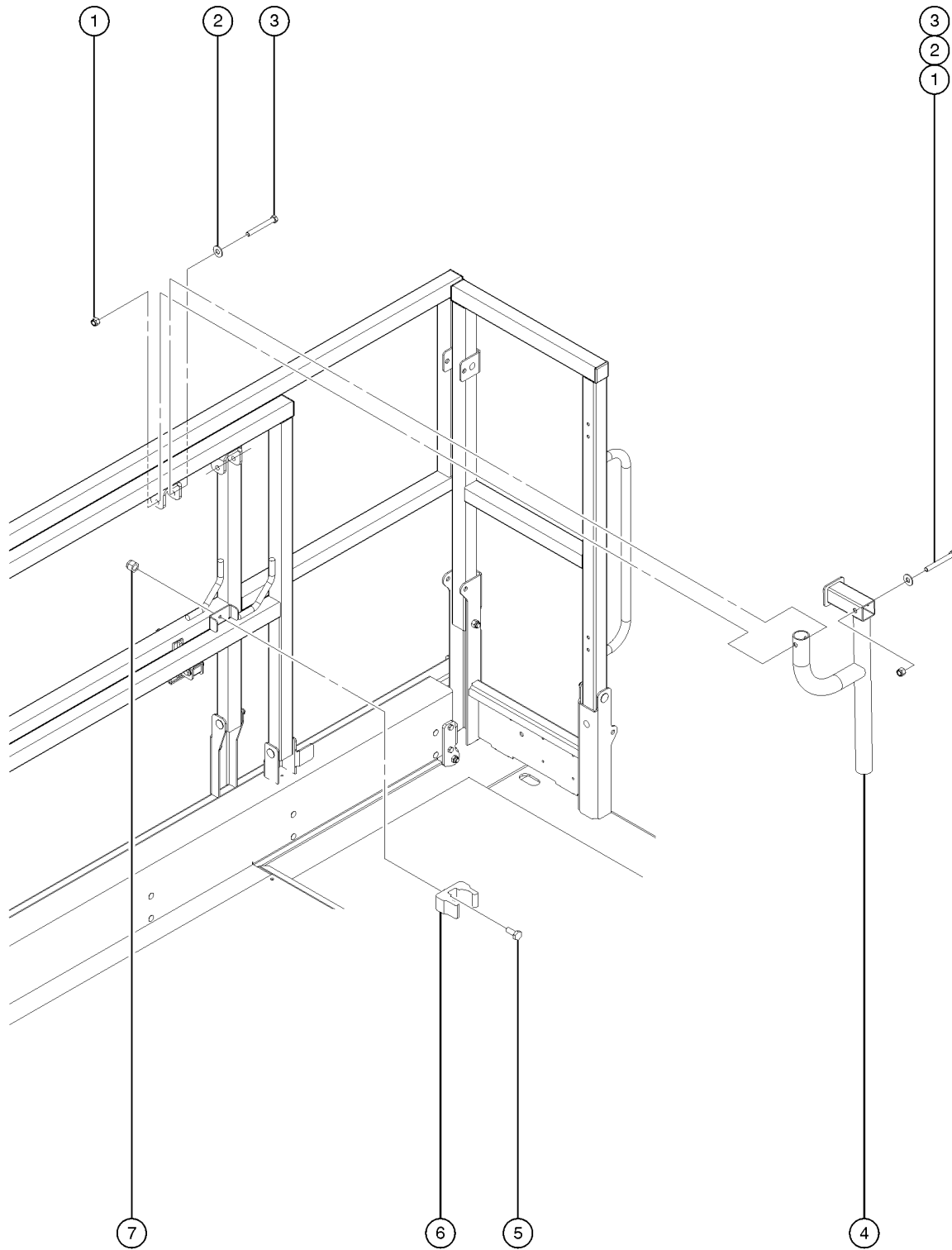
605.1 Platform Extension



<i>Item</i>	<i>Part No.</i>	<i>Description</i>	<i>Qty.</i>
28	6889GT	NUT,LP NYLOCK,1/4-20	
29	55517GT	HINGE, GSRT90 BOX	2
30	131735GT	WELDMENT,EXT.DECK,GS69	1
31	131742GT	WELDMENT,EXT DECK RAIL,END (decals not included, refer to section 100)	1
32	6638GT	WASHER,FLAT,USS,1/4"Y	
33	47478GT	BUMPER, RUBBER, 1"OD X .461H	4
34	66030GT	PIN, WIRE LOCK 3/8 X 2 -1/2	4
35A	44743GT	MANUAL BOX W/DECALS*** USA/Canada/Australia	1
35B	24514GT	BOX,INSTRUCTION STORAGE Europe/Asia/South America (decal required; refer to Section100)	
36	219210GT	WASHER,FLAT,SAE,3/8,Y	



606.1 Platform Extension Deck Lock

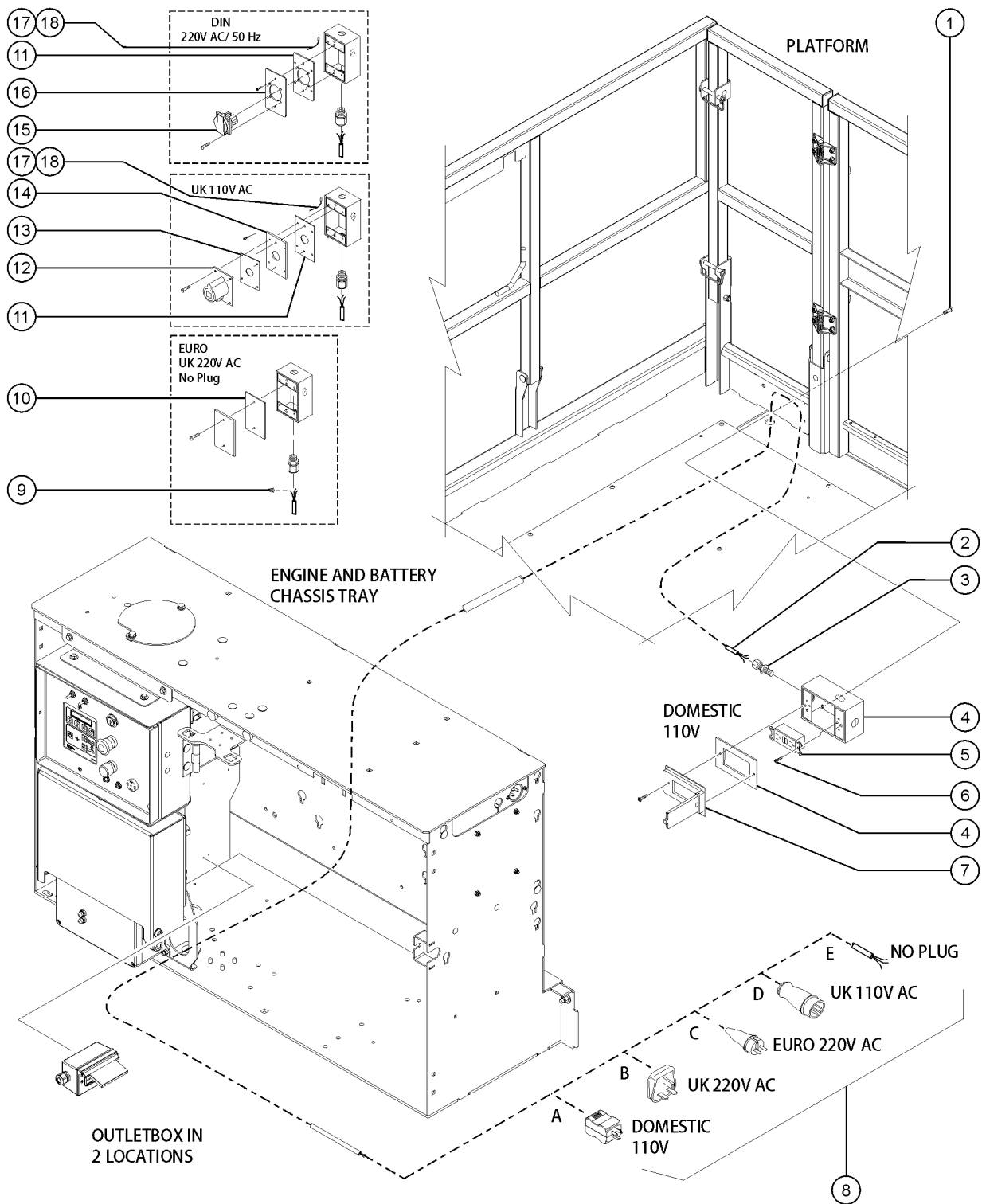


606.1 Platform Extension Deck Lock

<i>Item</i>	<i>Part No.</i>	<i>Description</i>	<i>Qty.</i>
1	4828GT	NUT,NYLOCK,3/8-16	
2	6097GT	WASHER,FLAT,USS,3/8",Y	
3	6326GT	SCREW,HHC,3/8-16 X 3	4
4A	148422GT	WLDMT,EXT DECK HANDLE,R	1
		(right side)	
4B	T108039GT	WLDMT,EXT DECK HANDLE,L	1
		(left side)	
5	8914GT	SCREW,HHC,1/4-20 X .625	2
6	T108074GT	UHMW,EXT LATCH ARM CATCH	2
7	6889GT	NUT,LP NYLOCK,1/4-20	



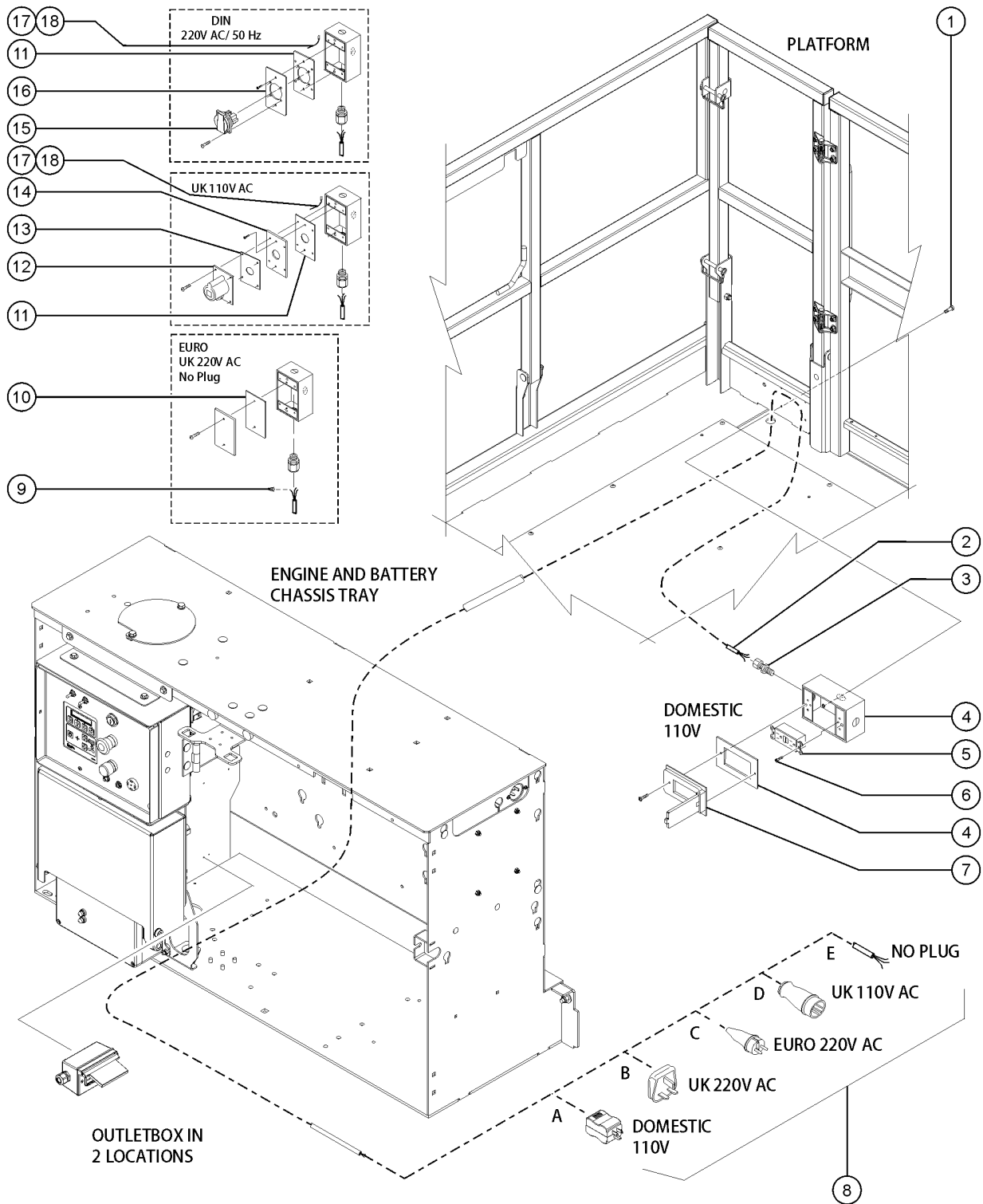
607.1 Power to Platform, GS-2669



Item	Part No.	Description	Qty.
A-	33724GT	KIT,GASKET,UK POWER TO PLAT. (includes items 11 and 13)	
1	112772GT	SCREW,PHM,8-32X.438	4
2A	43956GT	WIRE CABLE,14/3 CON.TPE JKT* GS-2669	624
3	7056GT	CONN,SQUEEZE,1/2NPT .38-.50,SM	1
4	10775GT	T-BOX,2.75 X 4.5 X 2.0	1
5	13585GT	OUTLET,110V GFCI*** (North America)	1
6	7127GT	SCREW,PHILLIPS,PHM,6-32 X .75	
7	45437GT	COVER,GFCI,WEATHERPROOF (North America; includes gasket and mounting fasteners)	1
8A	6595GT	PLUG,ELECTRICAL,DOMESTIC (for US)	1
8B	25388GT	PLUG,FUSED,250V,13AMP,U.K.**	
8B-	65737GT	FUSE,13 AMP,220V PLUG*** (for PN 25388)	
8C	1280665GT	PLUG,TYPE F,230A,50HZ,16A,IP44 (for EURO 220 and DIN)	
8D	144161GT	PLUG,PWR,UK,16AMP,3PIN,BLK (for UK 110)	
8E		NO PLUG Ref. No Plug - Consult Factory	
9	6626GT	WIRE CAP,ORANGE	3
10	10777GT	COVER,BLANK (includes mounting fasteners)	1
11	66355GT	GASKET, UK & DIN PWR. TO PLAT.	1
12A	T112563GT	SVC KIT,UK RECEPT.REPLACEMENT (includes mounting plate, gasket and fasteners) for Europe	1
12B	T112560GT	RECEPTACLE,UK,110V	
13	66356GT	GASKET, UK RECEPTACLE	1
14	33629GT	PLATE,UK POWER TO PLATFORM	1
15	66353GT	RECEPTACLE, DIN, 220V 50A	1
16	96236GT	PLATE,AC ADAPTER,DIN/UK***	1
17	55089GT	WIRE,14 GA,GREEN/YELLOW,THHN** from SN 10974	6
18	13597GT	TERMINAL,#10 RING,BLUE from SN 10974	1



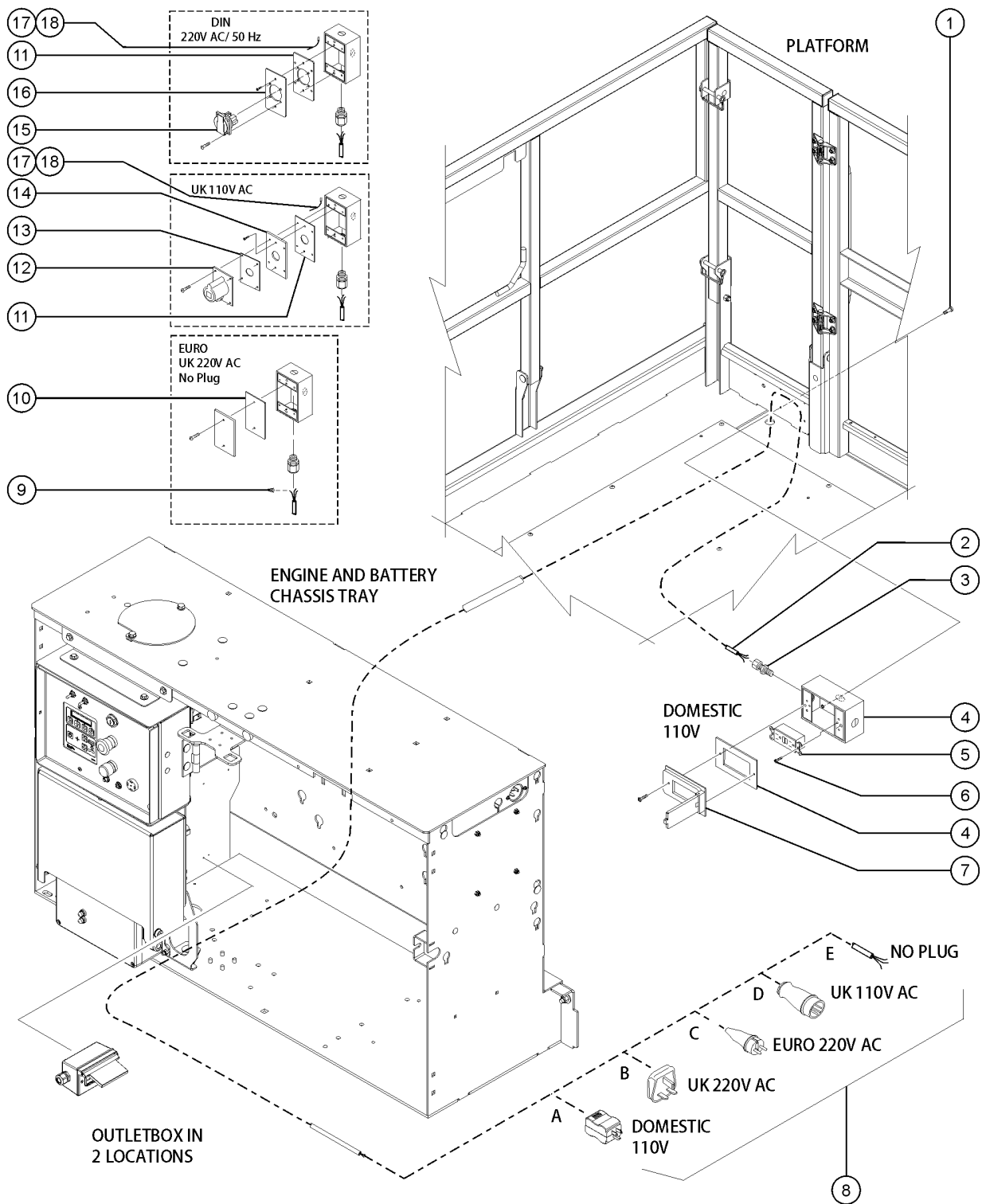
607.2 Power to Platform, GS-3369



Item	Part No.	Description	Qty.
A-	33724GT	KIT,GASKET,UK POWER TO PLAT. (includes items 11 and 13)	
1	112772GT	SCREW,PHM,8-32X.438	4
2B	43956GT	WIRE CABLE,14/3 CON.TPE JKT* GS-3369	756
3	7056GT	CONN,SQUEEZE,1/2NPT .38-.50,SM	1
4	10775GT	T-BOX,2.75 X 4.5 X 2.0	1
5	13585GT	OUTLET,110V GFCI*** (North America)	1
6	7127GT	SCREW,PHILLIPS,PHM,6-32 X .75	
7	45437GT	COVER,GFCI,WEATHERPROOF (North America; includes gasket and mounting fasteners)	1
8A	6595GT	PLUG,ELECTRICAL,DOMESTIC (for US)	1
8B	25388GT	PLUG,FUSED,250V,13AMP,U.K.**	
8B-	65737GT	FUSE,13 AMP,220V PLUG*** (for PN 25388)	
8C	1280665GT	PLUG, TYPE F, 230A, 50HZ, 16A, IP44 (for EURO 220 and DIN)	
8D	144161GT	PLUG,PWR,UK,16AMP,3PIN,BLK (for UK 110)	
8E		NO PLUG Ref. No Plug - Consult Factory	
9	6626GT	WIRE CAP,ORANGE	3
10	10777GT	COVER,BLANK (includes mounting fasteners)	1
11	66355GT	GASKET, UK & DIN PWR. TO PLAT.	1
12A	T112563GT	SVC KIT,UK RECEPT.REPLACEMENT (includes mounting plate, gasket and fasteners) for Europe	1
12B	T112560GT	RECEPTACLE,UK,110V	
13	66356GT	GASKET, UK RECEPTACLE	1
14	33629GT	PLATE,UK POWER TO PLATFORM	1
15	66353GT	RECEPTACLE, DIN, 220V 50A	1
16	96236GT	PLATE,AC ADAPTER,DIN/UK***	1



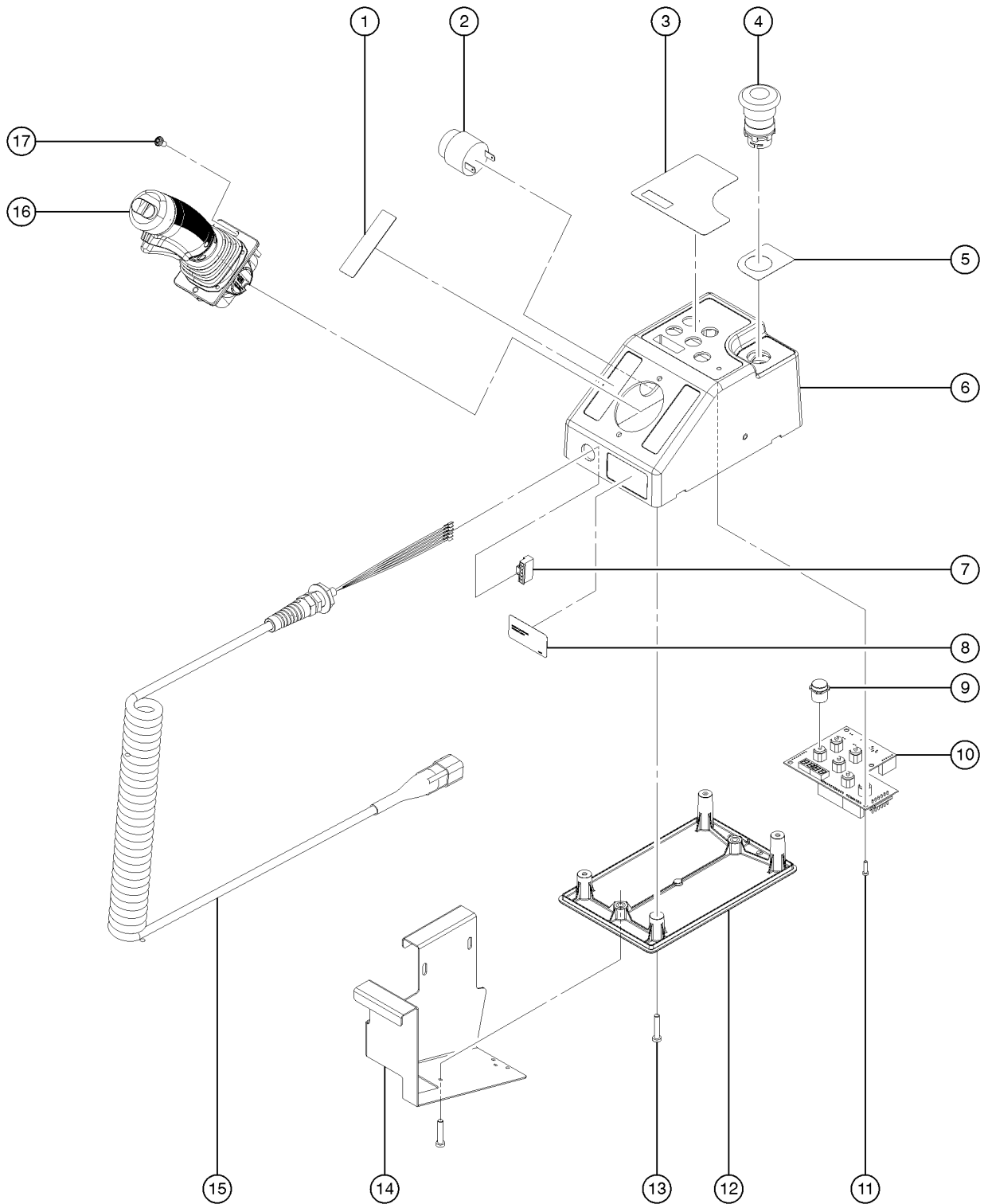
607.3 Power to Platform, GS-4069



Item	Part No.	Description	Qty.
A-	33724GT	KIT,GASKET,UK POWER TO PLAT. (includes items 11 and 13)	
1	112772GT	SCREW,PHM,8-32X.438	4
2C	43956GT	WIRE CABLE,14/3 CON.TPE JKT* GS-4069	900
3	7056GT	CONN,SQUEEZE,1/2NPT .38-.50,SM	1
4	10775GT	T-BOX,2.75 X 4.5 X 2.0	1
5	13585GT	OUTLET,110V GFCI*** (North America)	1
6	7127GT	SCREW,PHILLIPS,PHM,6-32 X .75	
7	45437GT	COVER,GFCI,WEATHERPROOF (North America; includes gasket and mounting fasteners)	1
8A	6595GT	PLUG,ELECTRICAL,DOMESTIC (for US)	1
8B	25388GT	PLUG,FUSED,250V,13AMP,U.K.**	
8B-	65737GT	FUSE,13 AMP,220V PLUG*** (for PN 25388)	
8C	1280665GT	PLUG, TYPE F, 230A, 50HZ, 16A, IP44 (for EURO 220 and DIN)	
8D	144161GT	PLUG,PWR,UK,16AMP,3PIN,BLK (for UK 110)	
8E		NO PLUG Ref. No Plug - Consult Factory	
9	6626GT	WIRE CAP,ORANGE	3
10	10777GT	COVER,BLANK (includes mounting fasteners)	1
11	66355GT	GASKET, UK & DIN PWR. TO PLAT.	1
12A	T112563GT	SVC KIT,UK RECEPT.REPLACEMENT (includes mounting plate, gasket and fasteners) for Europe	1
12B	T112560GT	RECEPTACLE,UK,110V	
13	66356GT	GASKET, UK RECEPTACLE	1
14	33629GT	PLATE,UK POWER TO PLATFORM	1
15	66353GT	RECEPTACLE, DIN, 220V 50A	1
16	96236GT	PLATE,AC ADAPTER,DIN/UK***	1



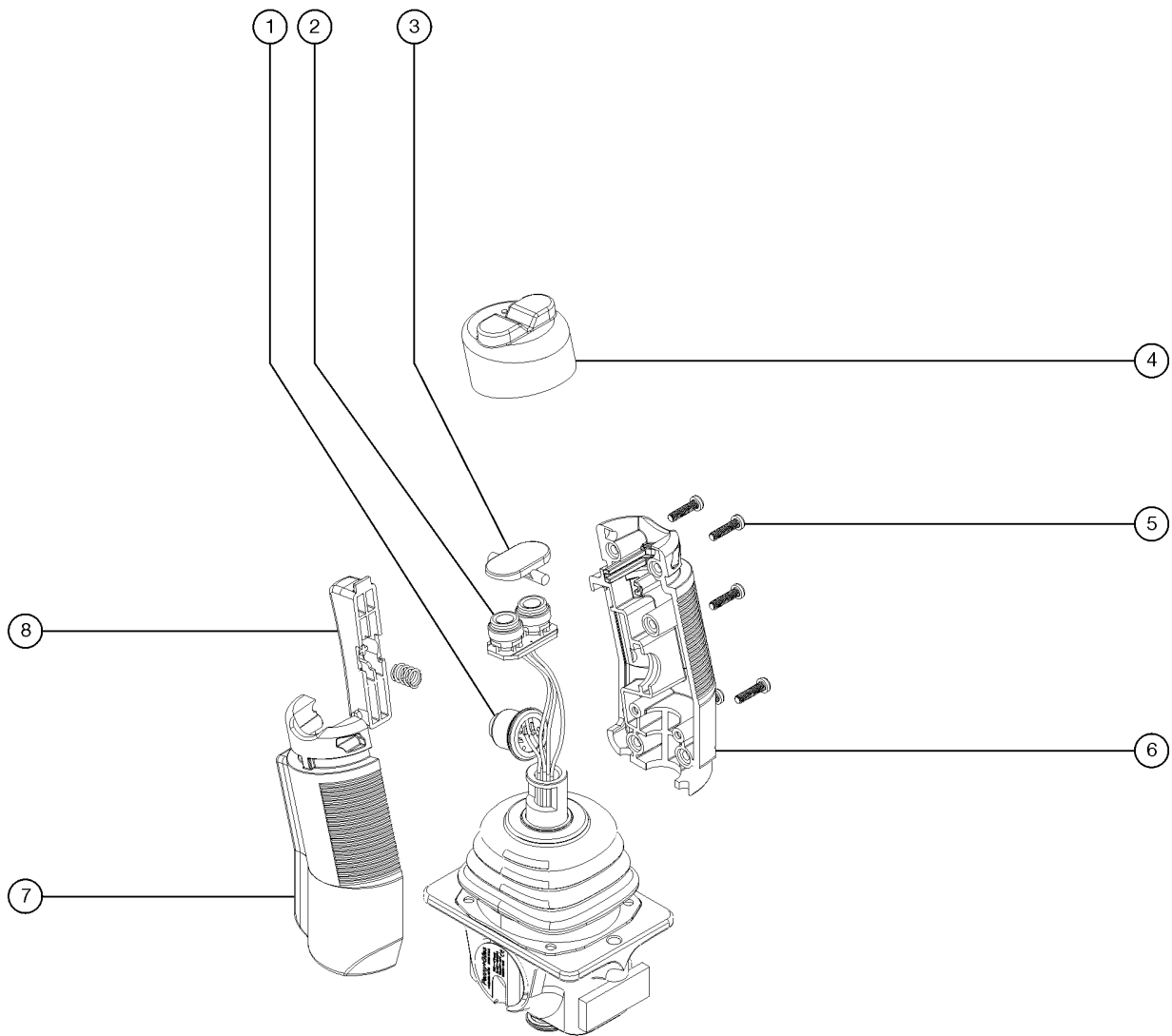
608.1 Platform Controls



Item	Part No.	Description	Qty.
A-	1256731GT	PCON,STD,PROP LIFT,69BE (standard)	1
B-	1256732GT	PCON,O/R,PROP LIFT,69BE (option) (for models with outriggers)	
C-	1258731GT	FLASH DRIVE,SL1K2.0 SOFTWARE	
1	137656GT	DECAL,PROPEL,GR/GRC/GS,PCON	1
2A	39540GT	ALARM,STEADY TONE*** order 72326 mounting ring separately	1
2B	72326GT	BASE,W/2 NC CONTACTS*** for 39540	
3		Ref., DECAL,PCON (Ref Decal Section 100)	1
4	66812GT	BUTTON,PUSH,RED MUSHROOM HEAD	1
4-	66817GT	BASE WITH 1 NC CONTACT, E-STOP	1
4-	66818GT	CONTACT,NC	1
5	137605GT	DECAL,E-STOP,GR/GRC/GS PCON	1
6A	1256656GT	ENCLOSURE,STD 4-BUTTON,TOP (standard)	1
6B	1256658GT	ENCLOSURE, O/R 5-BUTTON,TOP (option) (for models with outriggers)	1
7	137699GT	PLUG, 6POS ECO PWR	1
9	T106373GT	CAP,BUTTON,K12	6
10A	1256725GT	PCBA,PCON STD,PROP LIFT (standard)	1
10B	1256726GT	PCBA,PCON O/R,PROP LIFT (option) (for models with outriggers)	1
11	137637GT	SCREW,PHM,4-20X.5, 48-2 TRI-L	4
12	T106370GT	ENCLOSURE,GC14-1/GC16-1, BOT	1
12-	69853GT	INSERT, 1/4-20 X .5,ULTRASONIC	
13	137640GT	SCREW,PHM,8-16X.75, 48-2 TRI-L	4
14	237289GT	FORMING,PLAT CNTRL BOX,GS69DC (decals not included, refer to section 100)	1
15	235464GT	KIT,COIL CORD,CONTRLR,SL1000 (includes item 7)	1
15-	231921GT	KIT,CONN,RECEPT W/PIN AND LOCK	
15-	231922GT	KIT,CONN,PLUG W/SCKT AND LOCK	
15-	137611GT	ASSY, COIL CORD, GR/GRC/GS	
16		Ref., JOYSTICK (refer to 609.1)	1
17	229845GT	SCREW,BHSCS,M5X10,SS apply Loctite 243 or equivalent before installation	2



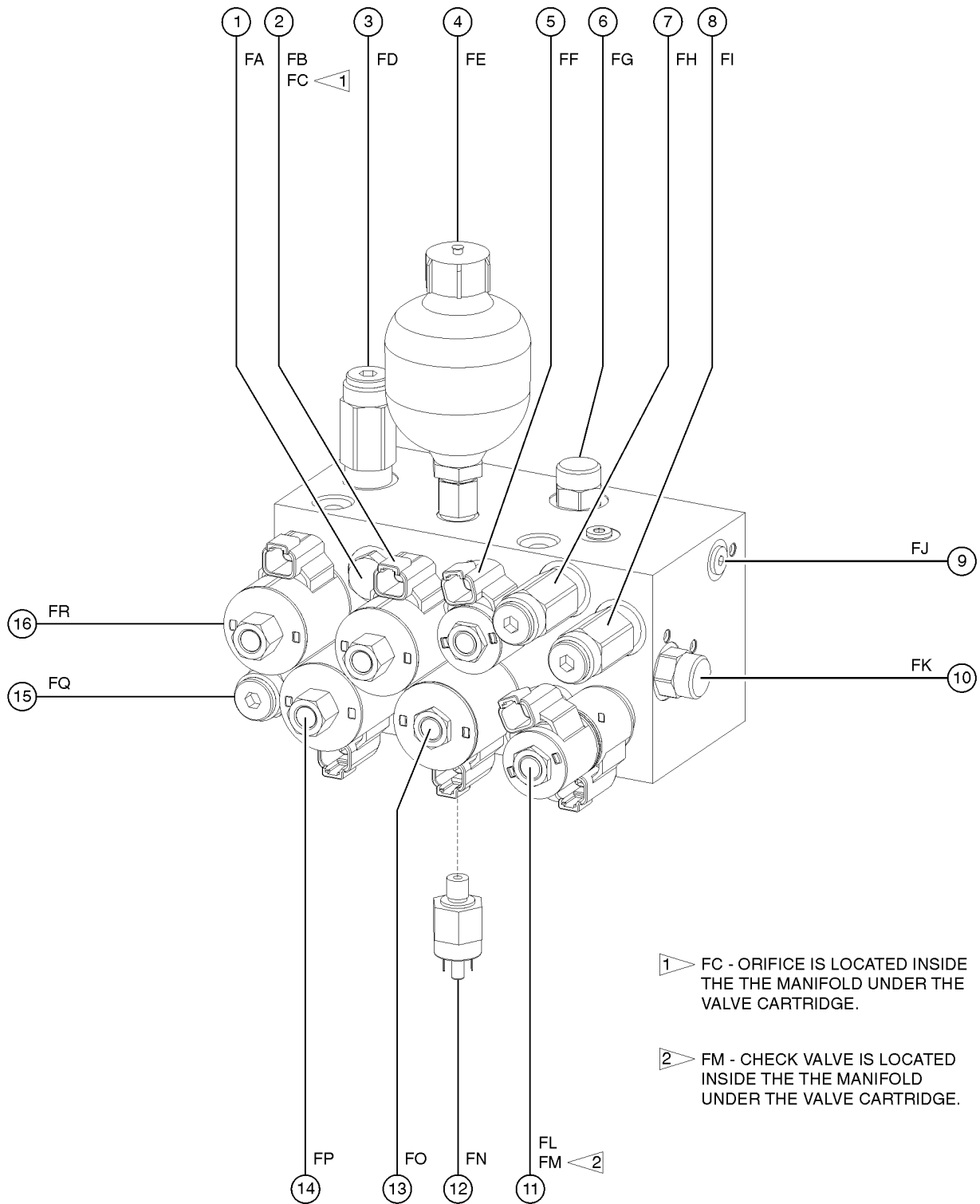
609.1 Platform Controls Joystick



Item	Part No.	Description	Qty.
A-	137634GT	JOYSTICK, HALL EFFECT, SINGLE	
B-	229097GT	TERMINAL, SPLINE (AMP)	
C-	214544GT	KIT,BOOT,JOYSTICK,SL1000	
		joystick boot	
1	235463GT	KIT,SWITCH,JYSTK,SL1000	
		function enable and steer switches	
2	235463GT	KIT,SWITCH,JYSTK,SL1000	
		function enable and steer switches	
3	229092GT	ROCKER,2 SWITCH	1
4	229093GT	BOOT, 2 SWITCH, SILICON	1
5	229086GT	SCREW, SELF TAP	5
6	229087GT	HANDLE HALF,RIGHT,W/TOP SWITCH	1
6A	229091GT	SCREW,GRUB,M5X8MM,HLF DOG,BZP	
		for 229087	
7	229088GT	HANDLE HALF,LEFT,W/TOP SWITCH	1
7A	229090GT	SCREW,GRUB,M5X8MM CUP(BLK)	
		for 229088	
8	229089GT	TRIGGER, EXTENDED	1
8-	229094GT	SPRING, HANDLE TRIGGER	1



701.1 Function Manifold (to SN 10014)



1 FC - ORIFICE IS LOCATED INSIDE THE THE MANIFOLD UNDER THE VALVE CARTRIDGE.

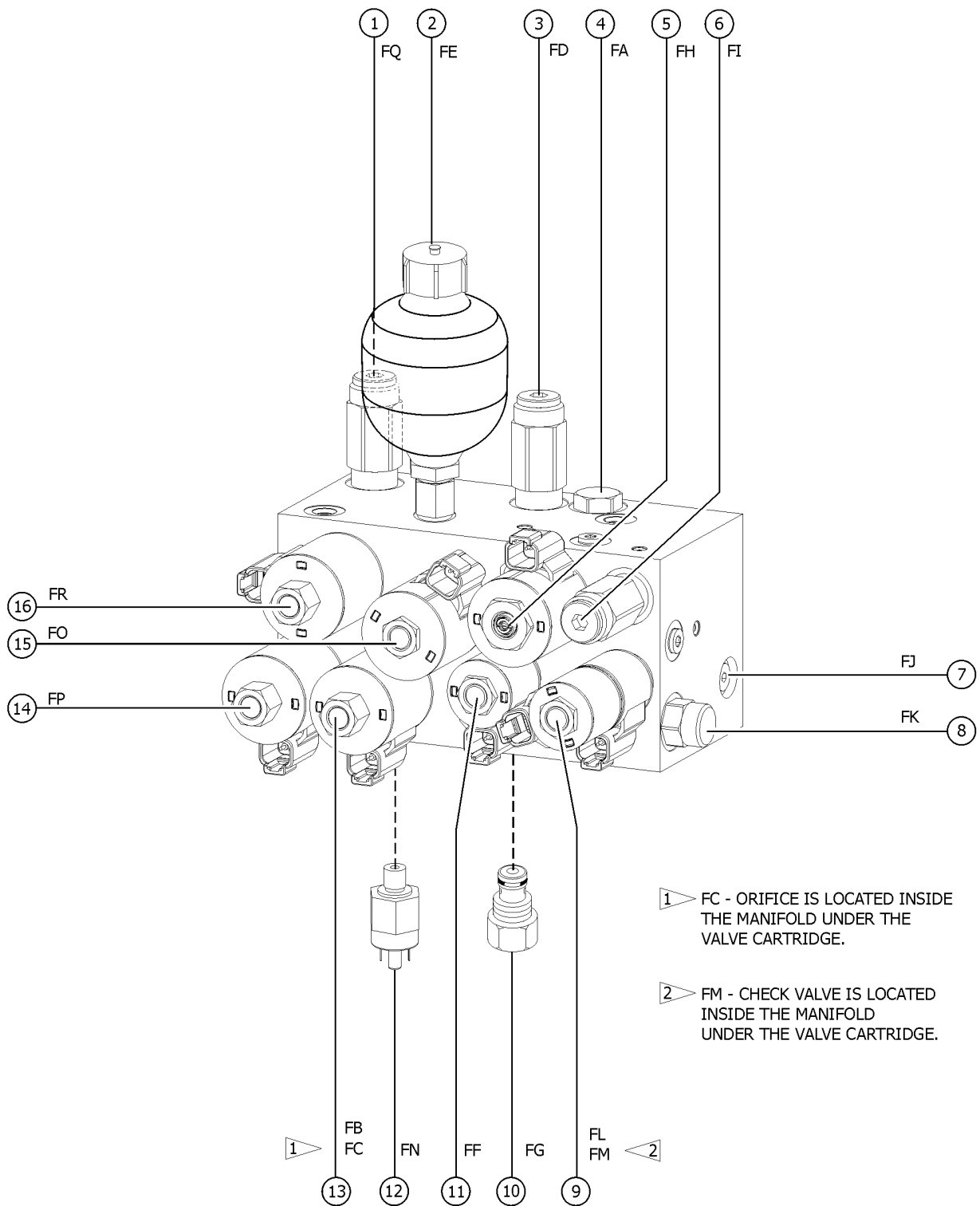
2 FM - CHECK VALVE IS LOCATED INSIDE THE THE MANIFOLD UNDER THE VALVE CARTRIDGE.



Item	Part No.	Description	Qty.
-	230861GT	MANIFOLD,FUNCTION,GS69,DC Complete (does not include fittings)	
1	218730GT	VALVE,CHECK,10 PSI (FA, oscillate circuit)	1
2	218616GT	VALVE,DIRECTION,2-POS,3WAY,SCRN (FB, oscillate/accumulator)	1
2-	101069GT	ORIFICE DISK,.030 (FC)	
2-	104763GT	COIL,24VDC #10DTSCH IP69 ECOIL	
3	97172GT	VALVE-RELIEF,3500PSI (FD, lift circuit)	1
4	94499GT	ACCUMULATOR,10CC,1000PSI,#6SAE (FE, oscillate circuit)	1
5	218617GT	VALVE,SOLENOID, 2POS,3WAY,SCRN (FF, oscillate circuit)	1
5-	104762GT	COIL,24VDC #8DTSCH IP69 ECOIL	
6	1257080GT	WASHER,FLAT,2.27X3.5X.06,ZAG (FG, controls flow to the oscillate circuit)	1
7	97172GT	VALVE-RELIEF,3500PSI (FH, system relief)	1
8	218732GT	VALVE, CROSS RELIEF, 1500 PSI (FI, steer circuit)	1
9	52907GT	VALVE-CHECK, #4 SAE, 5 PSI* (FJ, load sense)	1
10	218733GT	VALVE,FLOW REG,2.0 GPM (FK, controls flow to the steer circuit)	1
11	234600GT	VALVE, SOLENOID, 5W-3P (FL, steer circuit)	1
11-	234599GT	VALVE, CHECK, DROP IN (FM)	
11-	104762GT	COIL,24VDC #8DTSCH IP69 ECOIL	
12	237797GT	SWITCH,PRESS,#4SAE,1500 PSI (FN, oscillate/accumulator)	1
13	218735GT	VALVE,SOLENOID,2-POS,3-WAY (FO, lift circuit)	1
13-	104763GT	COIL,24VDC #10DTSCH IP69 ECOIL	
14	218616GT	VALVE,DIRECTION,2-POS,3WAY,SCRN (FP, oscillate right)	1
14-	101069GT	ORIFICE DISK,.030	
14-	104763GT	COIL,24VDC #10DTSCH IP69 ECOIL	
15	218734GT	VALVE,RELIEF,3300 PSI (FQ, oscillate relief)	1
16	218616GT	VALVE,DIRECTION,2-POS,3WAY,SCRN (FR, oscillate left)	1
16-	101069GT	ORIFICE DISK,.030	
16-	104763GT	COIL,24VDC #10DTSCH IP69 ECOIL	



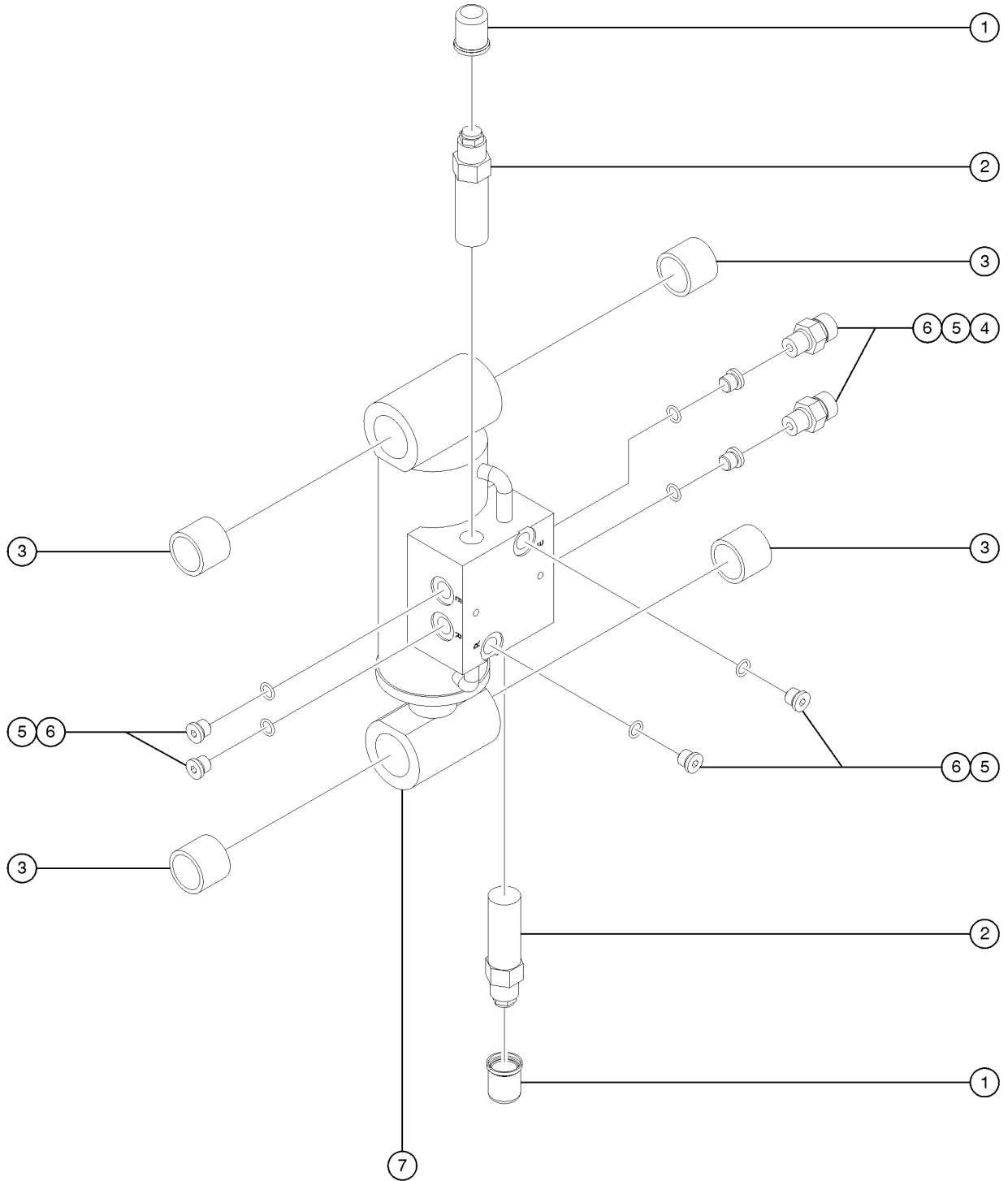
701.2 Function Manifold (from SN 10015)



Item	Part No.	Description	Qty.
	1272900GT	MANIFOLD,FUNCTION,GS69,DC Complete (does not include fittings)	1
	28750GT	O-RING KIT,FIELD SVC,ALL PROD*	
1	218734GT	VALVE,RELIEF,3300 PSI FQ, oscillate relief	1
2	94499GT	ACCUMULATOR,10CC,1000PSI,#6SAE FE, oscillate circuit	1
3	97172GT	VALVE-RELIEF,3500PSI FD, lift circuit	1
4	218730GT	VALVE,CHECK,10 PSI FA, oscillate circuit	1
5	1273704GT	VALVE,RELIEF,PROPORTIONAL, 3500PSI FH, system relief	1
5-	1275154GT	COIL,24V,#10DTSCH,IP69	1
6	218732GT	VALVE, CROSS RELIEF, 1500 PSI FI, steer circuit	1
7	52907GT	VALVE-CHECK, #4 SAE, 5 PSI* FJ, load sense	1
7-	62341GT	SEAL KIT,52907,SIZE 4, 2 WAY	
8	218733GT	VALVE,FLOW REG,2.0 GPM FK, controls flow to the steer circuit	1
9	234600GT	VALVE, SOLENOID, 5W-3P FL, steer circuit	1
9-	234599GT	VALVE, CHECK, DROP IN FM	1
10	1257080GT	WASHER,FLAT,2.27X3.5X.06,ZAG FG, controls flow to the oscillate circuit	
11	218617GT	VALVE,SOLENOID, 2POS,3WAY,SCRN FF, oscillate circuit	1
12	237797GT	SWITCH,PRESS,#4SAE,1500 PSI FN, oscillate/accumulator	1
13	218616GT	VALVE,DIRECTION,2-POS,3WAY,SCRN FB, oscillate/accumulator	1
13-	101069GT	ORIFICE DISK,.030 FC	1
13-	104763GT	COIL,24VDC #10DTSCH IP69 ECOIL	1
14	218616GT	VALVE,DIRECTION,2-POS,3WAY,SCRN FP, oscillate right	1
14-	101069GT	ORIFICE DISK,.030	1
14-	104763GT	COIL,24VDC #10DTSCH IP69 ECOIL	1
15	218735GT	VALVE,SOLENOID,2-POS,3-WAY FO, lift circuit	1
15-	104763GT	COIL,24VDC #10DTSCH IP69 ECOIL	1
16	218616GT	VALVE,DIRECTION,2-POS,3WAY,SCRN FR, oscillate left	1
16-	101069GT	ORIFICE DISK,.030	1
16-	104763GT	COIL,24VDC #10DTSCH IP69 ECOIL	1



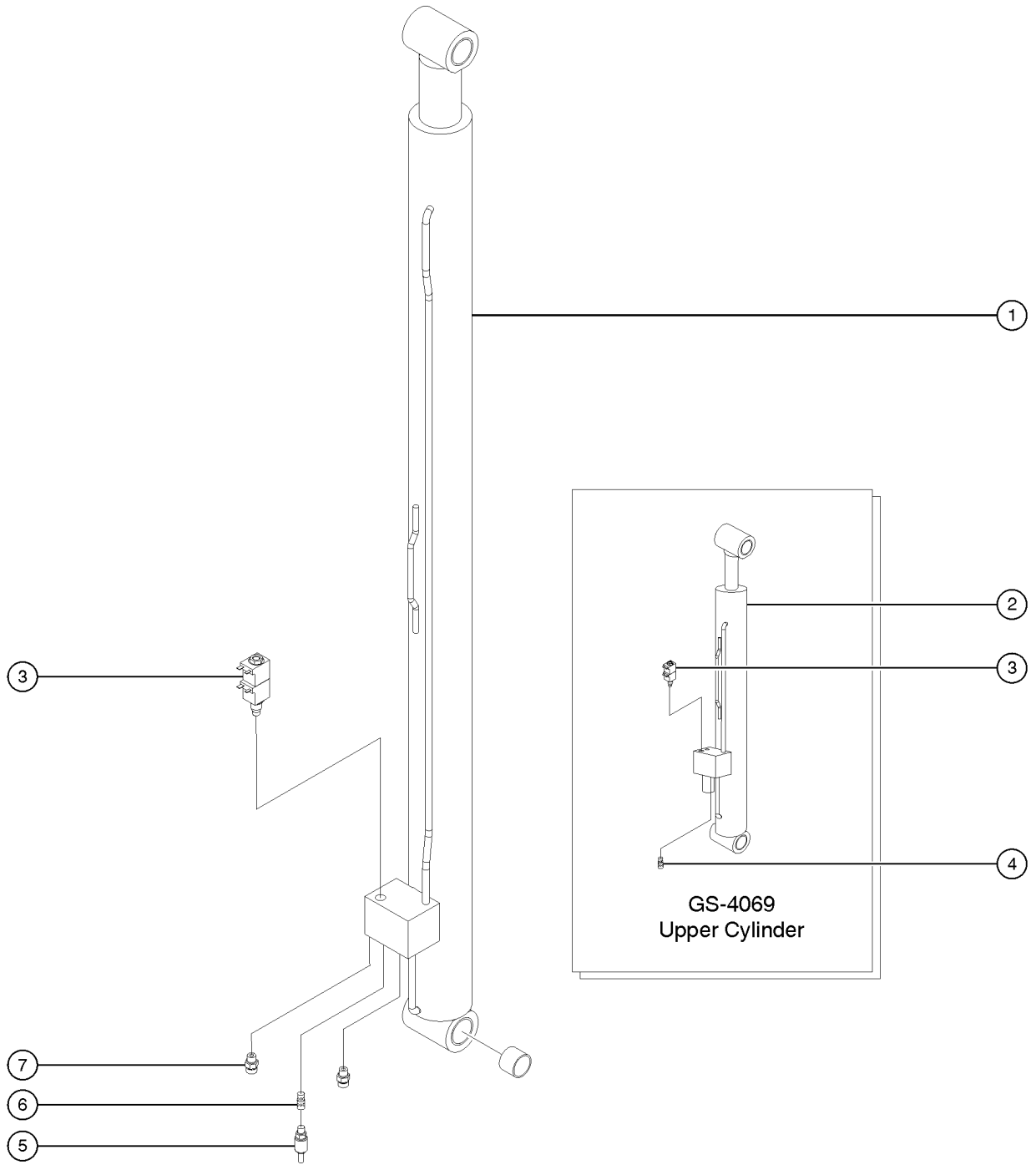
702.1 Oscillate Cylinders, All Models



702.1 Oscillate Cylinders, All Models

<i>Item</i>	<i>Part No.</i>	<i>Description</i>	<i>Qty.</i>
-	128142GT	SERV KIT,CAP,SERIES 1CB VALVE (package of 4)	
1	128085GT	CAP,SERIES 1 CB VALVE,SINGLE**	2
2	115402GT	VALVE,COUNTERBALNCE,3800 PSI	2
3	25817GT	BEARING,1.00IDX1.25ODX1.00L	4
4	48905GT	CONN,520120-4***	2
5	39882GT	PLUG,HEX SOCKET,090109B-4	6
6	53500GT	O-RING-4	6
7	131621GT	CYLINDER,OSCILATING,GS69	1
7-	226380GT	SEAL KIT,226380 (for 131621)	

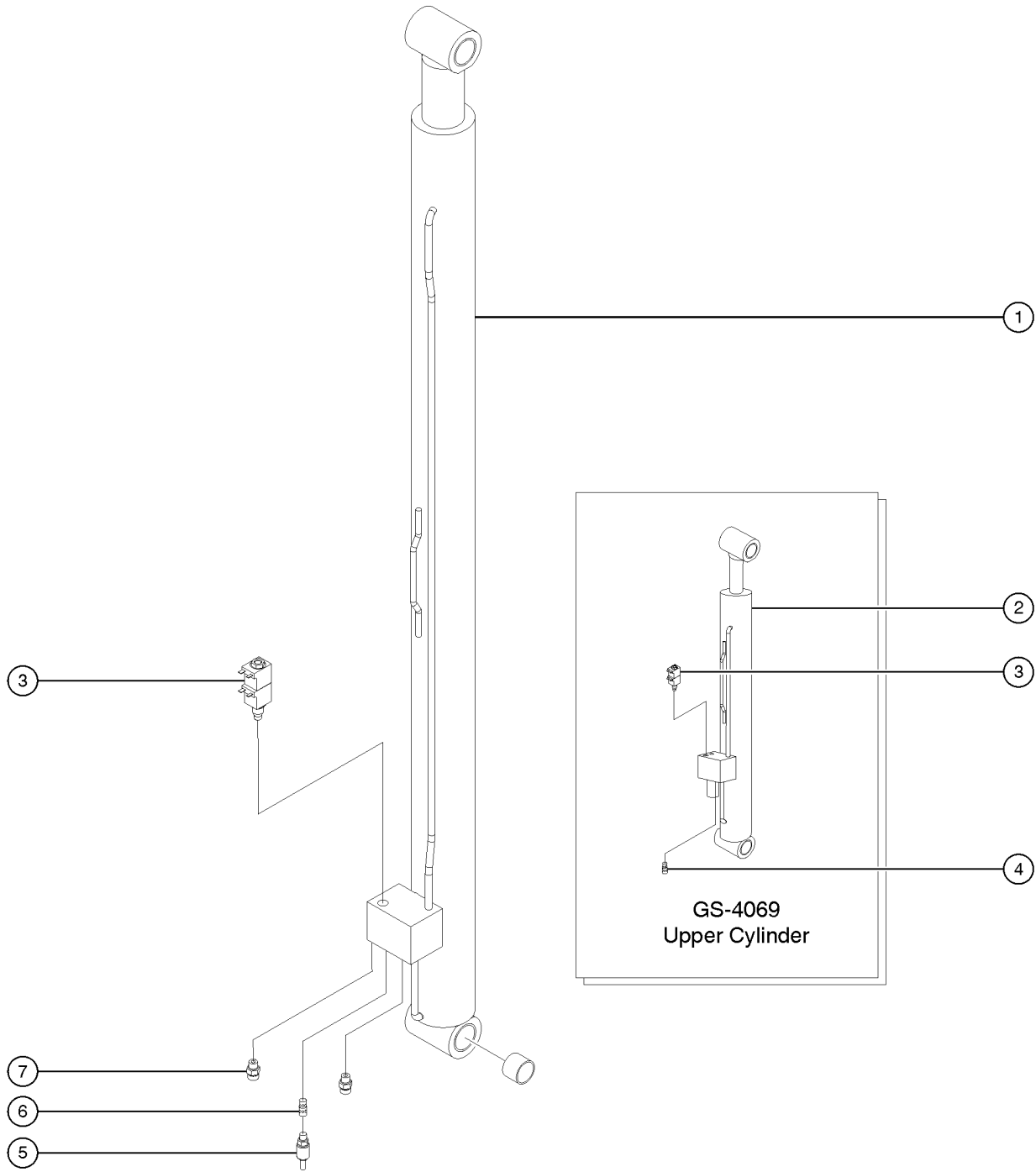




Item	Part No.	Description	Qty.
1	131920GT	CYLINDER, LIFT, LOWER, GS69	1
1-	226378GT	SEAL KIT, LIFT, LOWER (131920) for 131920	
2	131921GT	CYLINDER, LIFT, UPPER, 4069	1
2A-	226379GT	SEAL KIT, LIFT, UPPER (131921) for 131921	
2A-	119620GT	BEARING, 1.75IDX2.00ODX1.50L	4
2A-	44227GT	SEAL KIT, VALVE for 97130	
3	66683GT	VALVE, DBL PULL S-NOID 20V*** (to SN GS6915-6383) (valve assy w/20V coil) (shown)	1
3A-	84423GT	VALVE, 2 POSITION 2 WAY*** for 66683 (valve only)	
3A-	84422GT	COIL-SOLENOID VALVE, 20V DC***	2
3A-	84421GT	WASHER-SOLENOID VALVE (66683)*	
3A-	44973GT	NUT, COIL (39909)	
3B	1265331GT	VALVE, NC PROP POPPET, 20VDC (from SN GS6915-6384) (valve assy w/20V coil)	
3B-	1265367GT	VALVE, NC PROPORTIONAL POPPET for 1265331 (valve only)	
3B-	119827GT	COIL, 20V, ZENER DIODE DEUTSCH	1
3B-	44973GT	NUT, COIL (39909)	
3B-	44227GT	SEAL KIT, VALVE for 1265331	
3C	1259498GT	KIT, PROP. DOWN, GS26/3369 DC/BE (to SN GS6915-6383)	1
3C-	1265331GT	VALVE, NC PROP POPPET, 20VDC (to SN GS6915-6383)	
5		Ref. HARNESS, PRESSURE SWITCH (refer to 310.1) (to SN GS69F-17999)	1
5B	1293267GT	SENSOR, PRESSURE, 3625PSI, P92S from SN GS69F-18000	
6	230858GT	ORIFICE, LONG, .086"	1
7	48916GT	CONN, 520120-6	2



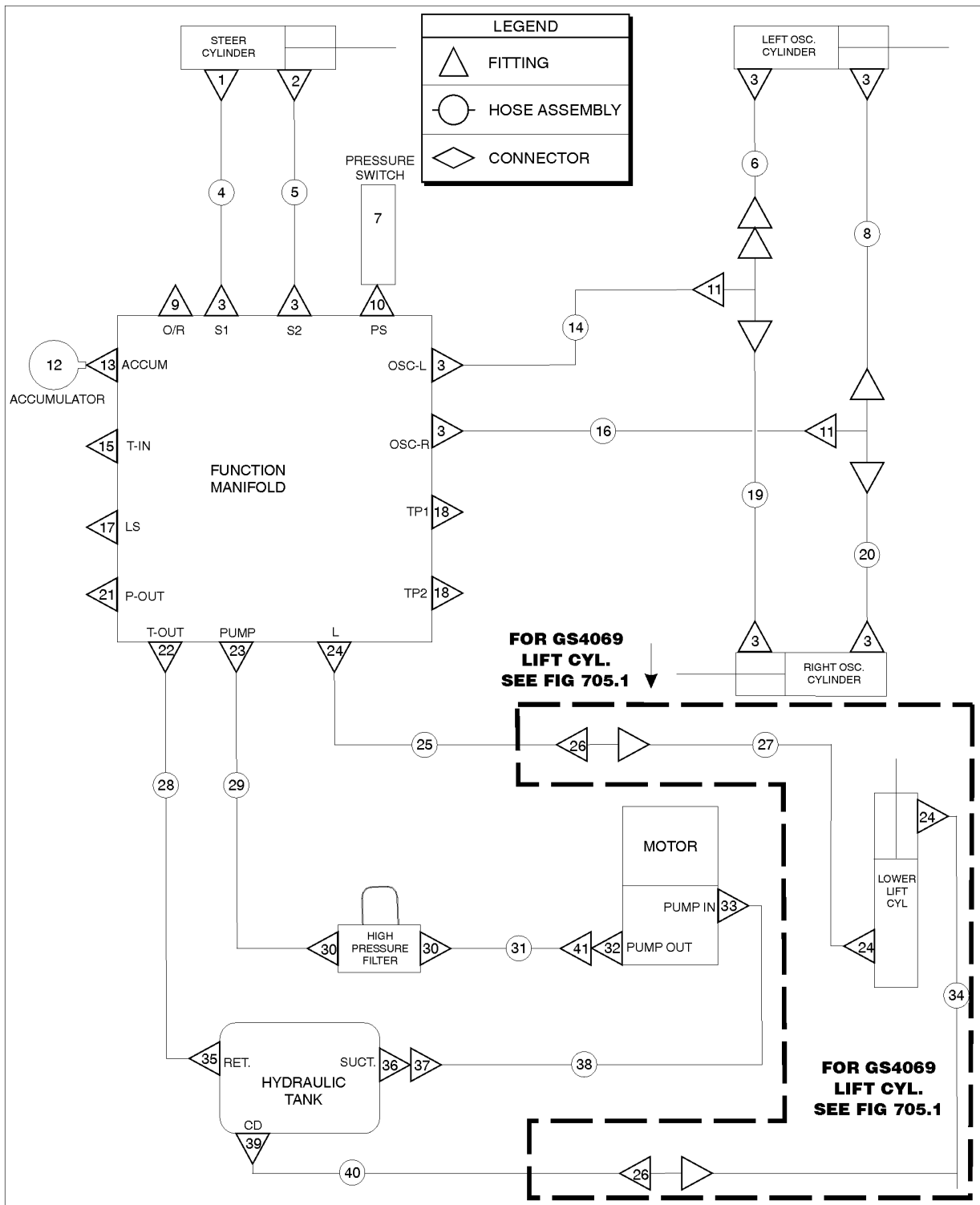
703.2 Lift Cylinders, GS-4069



Item	Part No.	Description	Qty.
1	131920GT	CYLINDER, LIFT, LOWER, GS69	1
1-	226378GT	SEAL KIT, LIFT, LOWER (131920) (for 131920)	
2	131921GT	CYLINDER, LIFT, UPPER, 4069 GS-4069	1
2A-	226379GT	SEAL KIT, LIFT, UPPER (131921) (for 131921) GS-4069	
2A-	119620GT	BEARING, 1.75IDX2.00ODX1.50L (for 131921) GS-4069	4
2A-	1261085GT	VALVE, RELIEF, 2500PSI (for 131921) GS-4069	
2A-	44227GT	SEAL KIT, VALVE (for 97130) GS-4069	
3	66683GT	VALVE, DBL PULL S-NOID 20V*** (to SN GS6915-6383) (valve assy w/20V coil) (shown)	1
3A-	84423GT	VALVE, 2 POSITION 2 WAY*** for 66683 (valve only)	
3A-	84422GT	COIL-SOLENOID VALVE, 20V DC*** for 66683	
3A-	84421GT	WASHER-SOLENOID VALVE (66683)* for 66683	
3A-	44973GT	NUT, COIL (39909) for 66683	
3B	1265331GT	VALVE, NC PROP POPPET, 20VDC (from SN GS6915-6384) (valve assy with 20V coil)	1
3B-	1265367GT	VALVE, NC PROPORTIONAL POPPET for 1265331 (valve only)	
3B-	119827GT	COIL, 20V, ZENER DIODE DEUTSCH	
3B-	44973GT	NUT, COIL (39909) for 1265331	
3B-	44227GT	SEAL KIT, VALVE for 1265331	
3D	1259991GT	KIT, PROP. DOWN, GS4069 DC/BE GS-4069 (to SN GS6915-6383)	2
3D-	1265331GT	VALVE, NC PROP POPPET, 20VDC (to SN GS6915-6383)	
4A	55559GT	ORIFICE LONG M, 0.046** GS-4069 BE (to SN GS69F-17999)	1
4B	55558GT	ORIFICE, LONG, .037*** GS-4069 BE (from SN GS69F-18000)	1
5		Ref. HARNESS, PRESSURE SWITCH (refer to 309.1) to SN GS69F-17999	1
5B	1293267GT	SENSOR, PRESSURE, 3625PSI, P92S from SN GS69F-18000	
6A	230858GT	ORIFICE, LONG, .086" (to SN GS69F-17999)	1
6B	214817GT	ORIFICE, LONG, .076" (from SN GS69F-18000)	1
7	48916GT	CONN, 520120-6	2



704.1 Hydraulic Hoses and Fittings, All Models

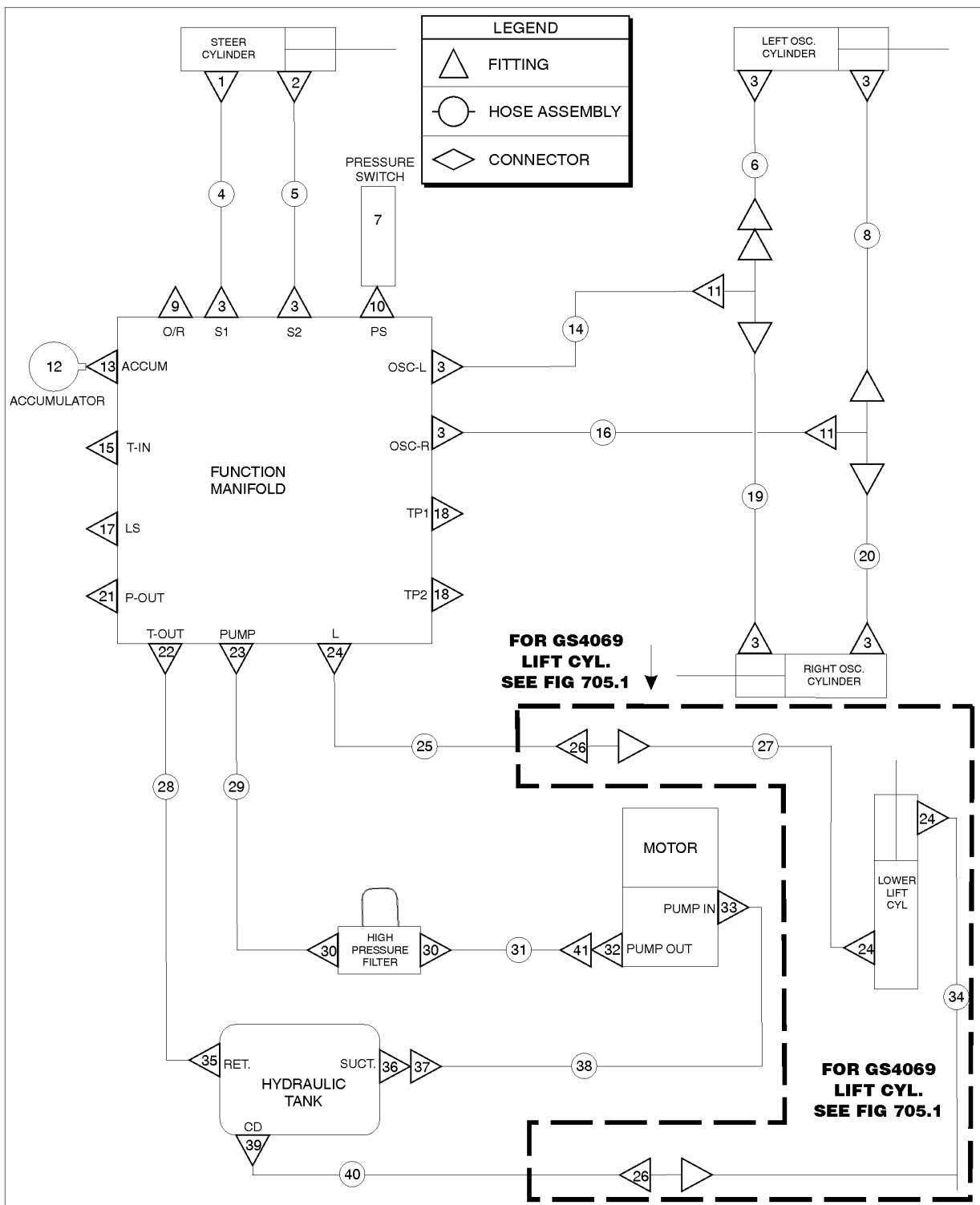


704.1 Hydraulic Hoses and Fittings, All Models

Item	Part No.	Description	Qty.
1	48912GT	CONN,520120-4***	1
2	39875GT	ELBOW,070220-4-6	2
3	48905GT	CONN,520120-4***	8
4	227466GT	HOSE ASSY,S1(F.MF)-B(STRCYL) (components: 48800, 48801, 48751 @ 74 inches)	1
5	227467GT	HOSE ASSY,S2(F.MF)-R(STRCYL) (components: 48800, 48801, 48751 @ 81 inches)	1
6	227469GT	HOSE ASSY,OSC(TEE)-E(L.OSC.CYL) (components: 48800, 48802, 48751 @ 19.5 inches)	1
7	237797GT	SWITCH,PRESS,#4SAE,1500 PSI	1
8	227610GT	HOSE ASSY,OSC(TEE)-R(L.OSC.CYL) (components: 48800, 48802, 48751 @ 19.5 inches)	1
9	49517GT	PLUG,HEX SOCKET,090109B-6***	1
10	131393GT	REDUCER,MORB-FORB,04-04****	1
11	48909GT	TEE,BULKHEAD,RUN,520958-4	1
12	94499GT	ACCUMULATOR,10CC,1000PSI,#6SAE	2
13	83020GT	COUPLER,090136, 4-6	1
14	227468GT	HOSE ASSY,OSC(F.MF)-OSC(TEE) (components: 48800, 48800, 48751 @ 74 inches)	1
15	87172GT	PLUG,HEX SOCKET,090109B-12	1
16	227609GT	HOSE ASSY,OSCR(F.MF)-OSC(TEE) (components: 48800, 48800, 48751 @ 74 inches)	1
17	39882GT	PLUG,HEX SOCKET,090109B-4	1
18	48997GT	NIPPLE,DIAGNOSTIC,#4	2
19	227612GT	HOSE ASSY,OSC(TEE)-R(R.OSC.CYL) (components: 48800, 48802, 48751 @ 19.5 inches)	1
20	227611GT	HOSE ASSY,OSC(TEE)-E(R.OSC.CYL) (components: 48800, 48802, 48751 @ 19.5 inches)	1
21	238256GT	PLUG,HEX SOCKET,090109B-8	1
22	48960GT	FITTING,CONN,520120-12***	1
23	48933GT	CONN,520120-8***	1
24	48916GT	CONN, 520120-6	3
25	227471GT	HOSE ASSY,LIFT(F.MF)-P(TEE) (components: 48812, 48812, 56776 @ 62 inches)	1
26	227613GT	UNION,BULKHEAD,ORFS,-6-6	2
27	227472GT	HOSE ASSY,PRESS(TEE)-PRESS(LLC) (components: 48812, 48812, 56776 @ 128 inches)	1
28	215214GT	HOSE,ASSY,T-OUT(F,MF)-RET(TNK) (components: 48809, 48809, 39889 @ 34 inches)	1



704.1 Hydraulic Hoses and Fittings, All Models

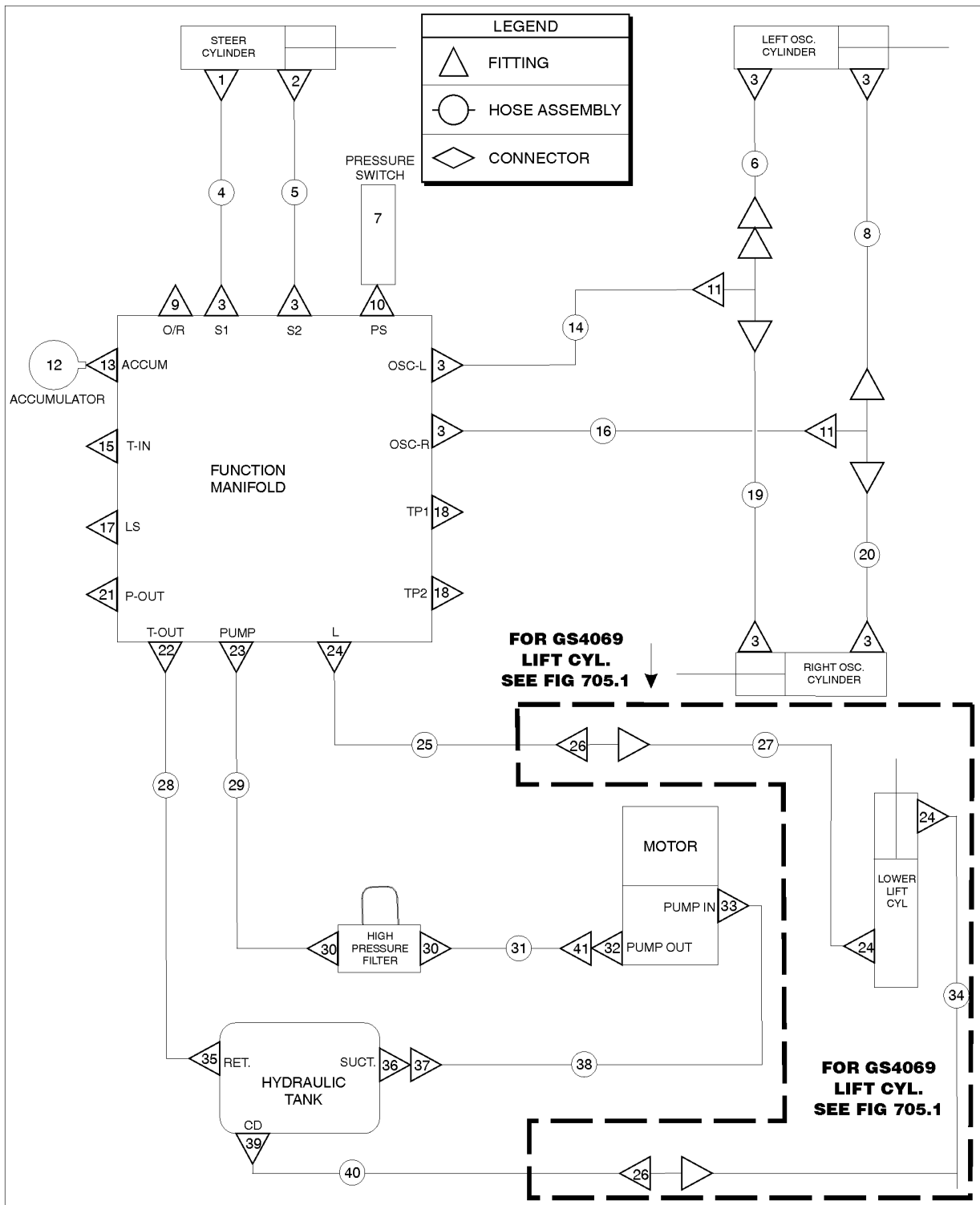


704.1 Hydraulic Hoses and Fittings, All Models

Item	Part No.	Description	Qty.
29	215215GT	HOSE,ASSY,FIL-P,IN(F,MF) (components: 48822, 48822, 56777 @ 8 inches)	1
30	48947GT	ELBOW,90D,520220-8-12	2
31	237932GT	HOSE,ASSY,OUT(PUMP)-FIL (components: 48822, 48822, 56777 @ 11 inches)	1
32A	48946GT	CONN,520120-8-10 (to GS6916F-10014)	1
32B	1274950GT	FITTING,REDUCER,#10MORB-#8FORB (from GS6916F-10015)	1
33	48878GT	ELBOW,90D,520220-16-12	1
34	227473GT	HOSE ASSY,RET(LLCYL)-RET(TEE) (components: 48812, 48812, 48753 @ 128 inches)	1
35	48959GT	FITTING,ELBOW,90D,520220-12	1
36	147419GT	KIT,STRAINER REPLACEMENT	1
37	48984GT	CONN,520120-16	1
38	237931GT	HOSE,ASSY,SUCT(TANK)-IN(PUMP) (components: 48854, 48854, 48764 @ 19.5 inches)	1
39	48915GT	ELBOW,90D,520220-6	1
40	227474GT	HOSE ASSY,RET(TEE)-TANK (components: 48812, 48812, 48753 @ 75 inches)	1
41	48999GT	VALVE,CHK,#8PORT-#8MALEORFS (from GS6916F-10015)	1



704.2 Hydraulic Hoses and Fittings, All Models

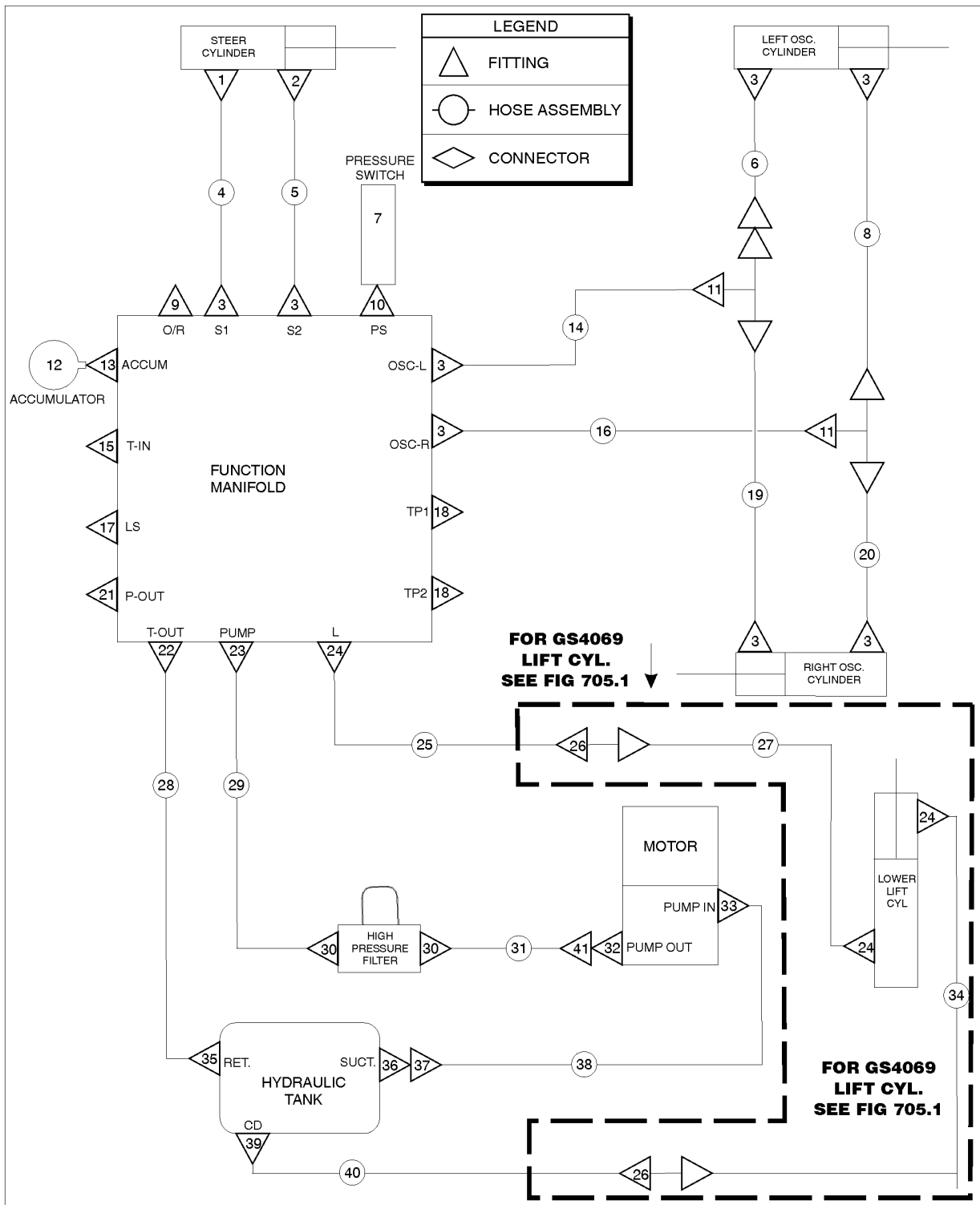


704.2 Hydraulic Hoses and Fittings, All Models

Item	Part No.	Description	Qty.
1	48912GT	CONN,520120-4***	1
2	39875GT	ELBOW,070220-4-6	2
3	48905GT	CONN,520120-4***	8
4	227466GT	HOSE ASSY,S1(F.MF)-B(STRCYL) (components: 48800, 48801, 48751 @ 74 inches)	1
5	227467GT	HOSE ASSY,S2(F.MF)-R(STRCYL) (components: 48800, 48801, 48751 @ 81 inches)	1
6	227469GT	HOSE ASSY,OSC(TEE)-E(L.OSC.CYL) (components: 48800, 48802, 48751 @ 19.5 inches)	1
7	237797GT	SWITCH,PRESS,#4SAE,1500 PSI	1
8	227610GT	HOSE ASSY,OSC(TEE)-R(L.OSC.CYL) (components: 48800, 48802, 48751 @ 19.5 inches)	1
9	49517GT	PLUG,HEX SOCKET,090109B-6***	1
10	131393GT	REDUCER,MORB-FORB,04-04****	1
11	48909GT	TEE,BULKHEAD,RUN,520958-4	1
12	94499GT	ACCUMULATOR,10CC,1000PSI,#6SAE	2
13	83020GT	COUPLER,090136, 4-6	1
14	227468GT	HOSE ASSY,OSC(F.MF)-OSC(TEE) (components: 48800, 48800, 48751 @ 74 inches)	1
15	87172GT	PLUG,HEX SOCKET,090109B-12	1
16	227609GT	HOSE ASSY,OSCR(F.MF)-OSC(TEE) (components: 48800, 48800, 48751 @ 74 inches)	1
17	39882GT	PLUG,HEX SOCKET,090109B-4	1
18	48997GT	NIPPLE,DIAGNOSTIC,#4	2
19	227612GT	HOSE ASSY,OSC(TEE)-R(R.OSC.CYL) (components: 48800, 48802, 48751 @ 19.5 inches)	1
20	227611GT	HOSE ASSY,OSC(TEE)-E(R.OSC.CYL) (components: 48800, 48802, 48751 @ 19.5 inches)	1
21	238256GT	PLUG,HEX SOCKET,090109B-8	1
22	48960GT	FITTING,CONN,520120-12***	1
23	48933GT	CONN,520120-8***	1
24	48916GT	CONN, 520120-6	3
25	227471GT	HOSE ASSY,LIFT(F.MF)-P(TEE) (components: 48812, 48812, 56776 @ 62 inches)	1
26	227613GT	UNION,BULKHEAD,ORFS,-6-6	2
27	227472GT	HOSE ASSY,PRESS(TEE)-PRESS(LLC) (components: 48812, 48812, 56776 @ 128 inches)	1
28	215214GT	HOSE,ASSY,T-OUT(F,MF)-RET(TNK) (components: 48809, 48809, 39889 @ 34 inches)	1



704.2 Hydraulic Hoses and Fittings, All Models

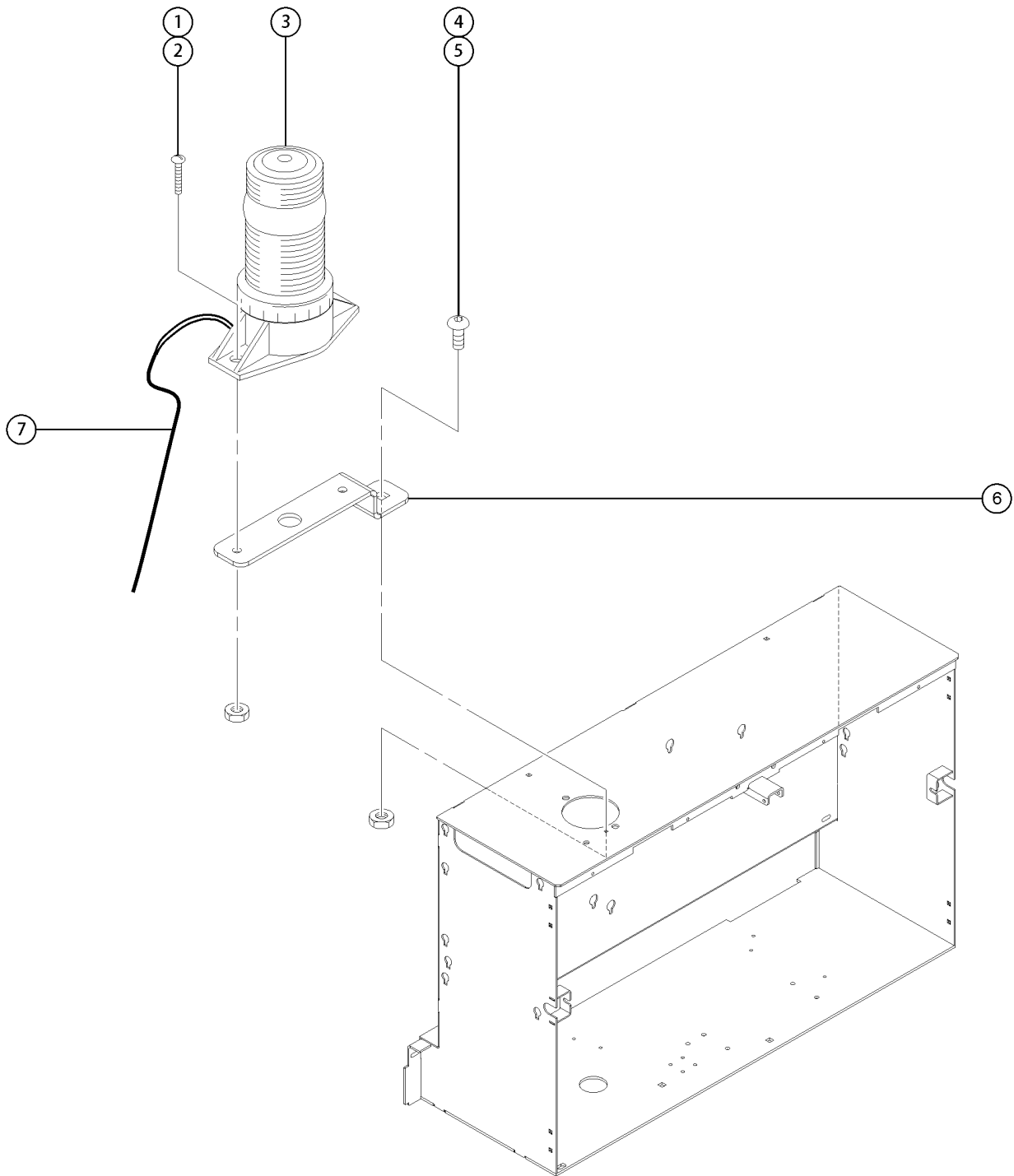


704.2 Hydraulic Hoses and Fittings, All Models

Item	Part No.	Description	Qty.
29	215215GT	HOSE,ASSY,FIL-P,IN(F,MF) (components: 48822, 48822, 56777 @ 8 inches)	1
30	48947GT	ELBOW,90D,520220-8-12	2
31	237932GT	HOSE,ASSY,OUT(PUMP)-FIL (components: 48822, 48822, 56777 @ 11 inches)	1
32B	1274950GT	FITTING,REDUCER,#10MORB-#8FORB (from GS6916F-10015)	1
33	48878GT	ELBOW,90D,520220-16-12	1
34	227473GT	HOSE ASSY,RET(LLCYL)-RET(TEE) (components: 48812, 48812, 48753 @ 128 inches)	1
35	48959GT	FITTING,ELBOW,90D,520220-12	1
36	147419GT	KIT,STRAINER REPLACEMENT	1
37	48984GT	CONN,520120-16	1
38	237931GT	HOSE,ASSY,SUCT(TANK)-IN(PUMP) (components: 48854, 48854, 48764 @ 19.5 inches)	1
39	48915GT	ELBOW,90D,520220-6	1
40	227474GT	HOSE ASSY,RET(TEE)-TANK (components: 48812, 48812, 48753 @ 75 inches)	1
41	48999GT	VALVE,CHK,#8PORT-#8MALEORFS (from GS6916F-10015)	1



801.1 Flashing Motion Beacon (to SN GS6916F-9824)

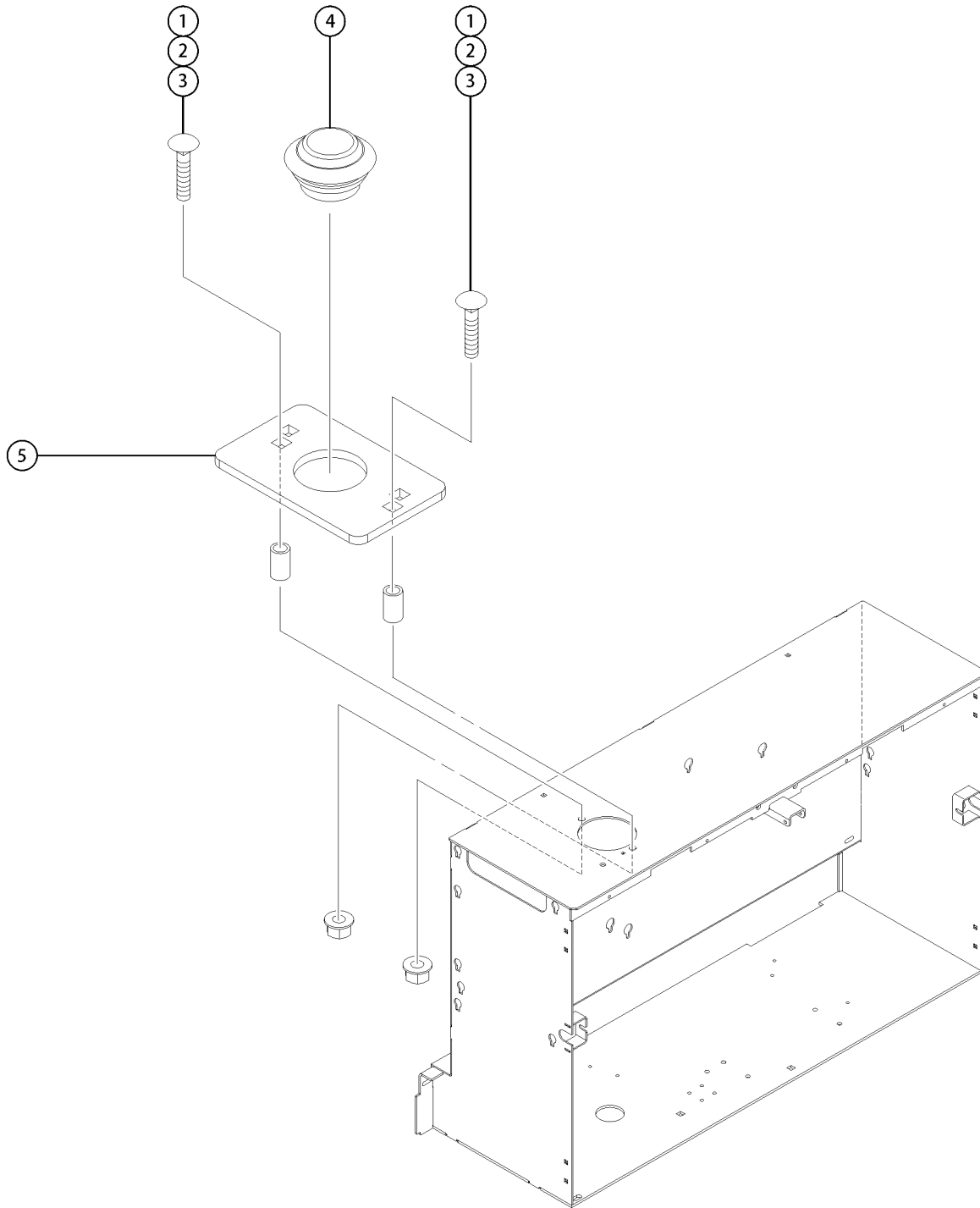


801.1 Flashing Motion Beacon (to SN GS6916F-9824)

<i>Item</i>	<i>Part No.</i>	<i>Description</i>	<i>Qty.</i>
1	49816GT	SCREW,PHILLIPS,PHM,10-32 X .75	
2	6178GT	NUT,NYLOCK,10-32	
3	87265GT	BEACON LIGHT ASSY.	2
3-	105557GT	BULB,FLASHING BEACON for 87265	
3-	105556GT	LENS,FLASHING BEACON for 87265	
4	6878GT	BOLT,CARRIAGE,1/4-20 X .75,G2	
5	6091GT	NUT,NYLOCK,1/4-20	
6	79374GT	FORMING,BEACON MOUNT	2
7	148076GT	HARNES,BEACON,GS69	



801.2 Flashing Motion Beacon (from SN GS6916F-9825)

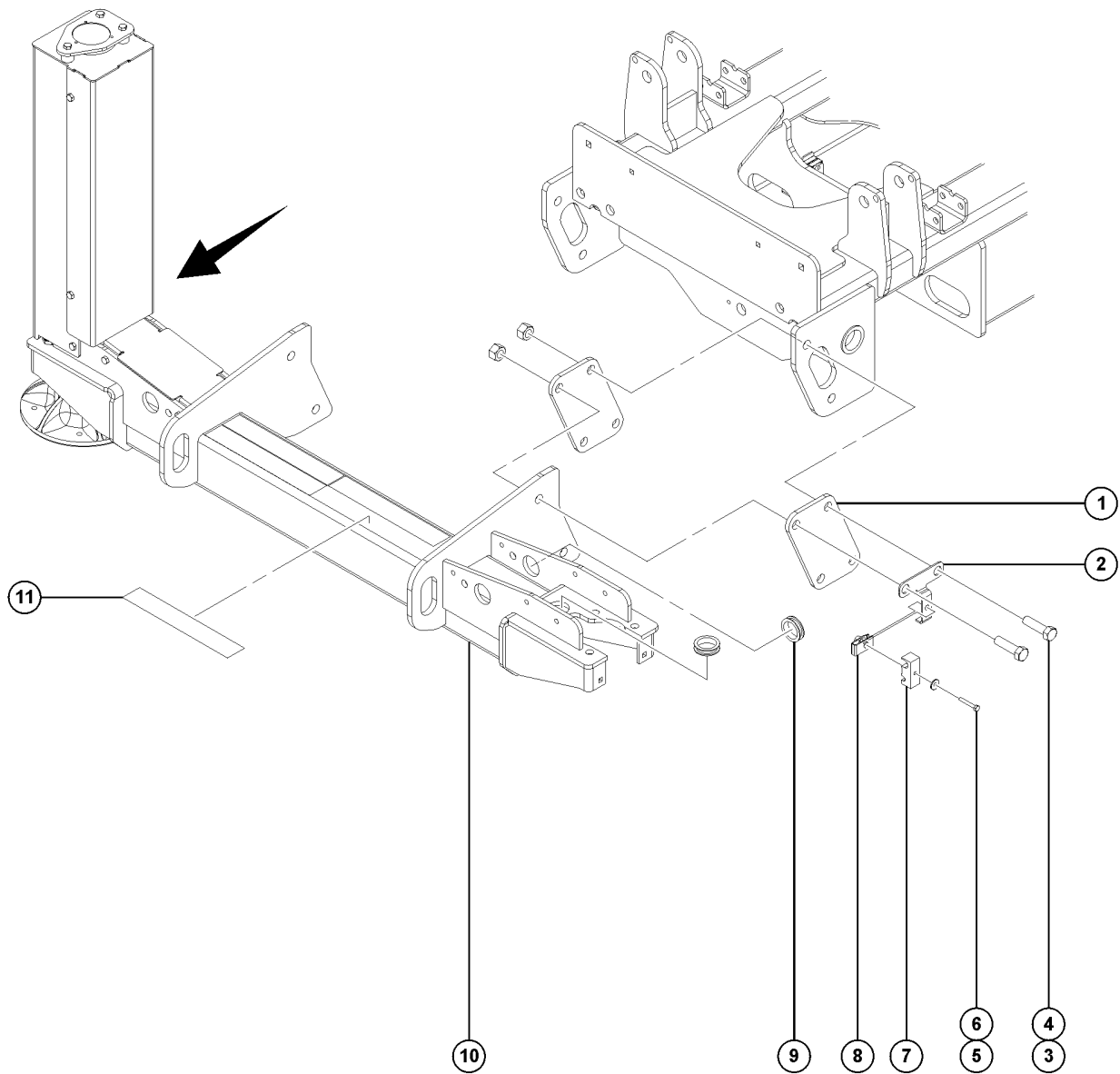


801.2 Flashing Motion Beacon (from SN GS6916F-9825)

<i>Item</i>	<i>Part No.</i>	<i>Description</i>	<i>Qty.</i>
1	1256463GT	BOLT,CARRIAGE,1/4-20X1.25,5,ZA	2
2	96699GT	SLEEVE,TANK SUPPORT	2
3	824027GT	NUT,TL FLG,1/4-20,G,ZAG	2
4	1254572GT	LIGHT,TURN SIGNAL,1.25" LED,AM	1
5	1267469GT	PLATE,VISUAL IND LIGHT MOUNT,BLK	1
6	1273392GT	HARNESS, LED BEACON, GS69DC	



802.1 Outrigger Installation, View 1

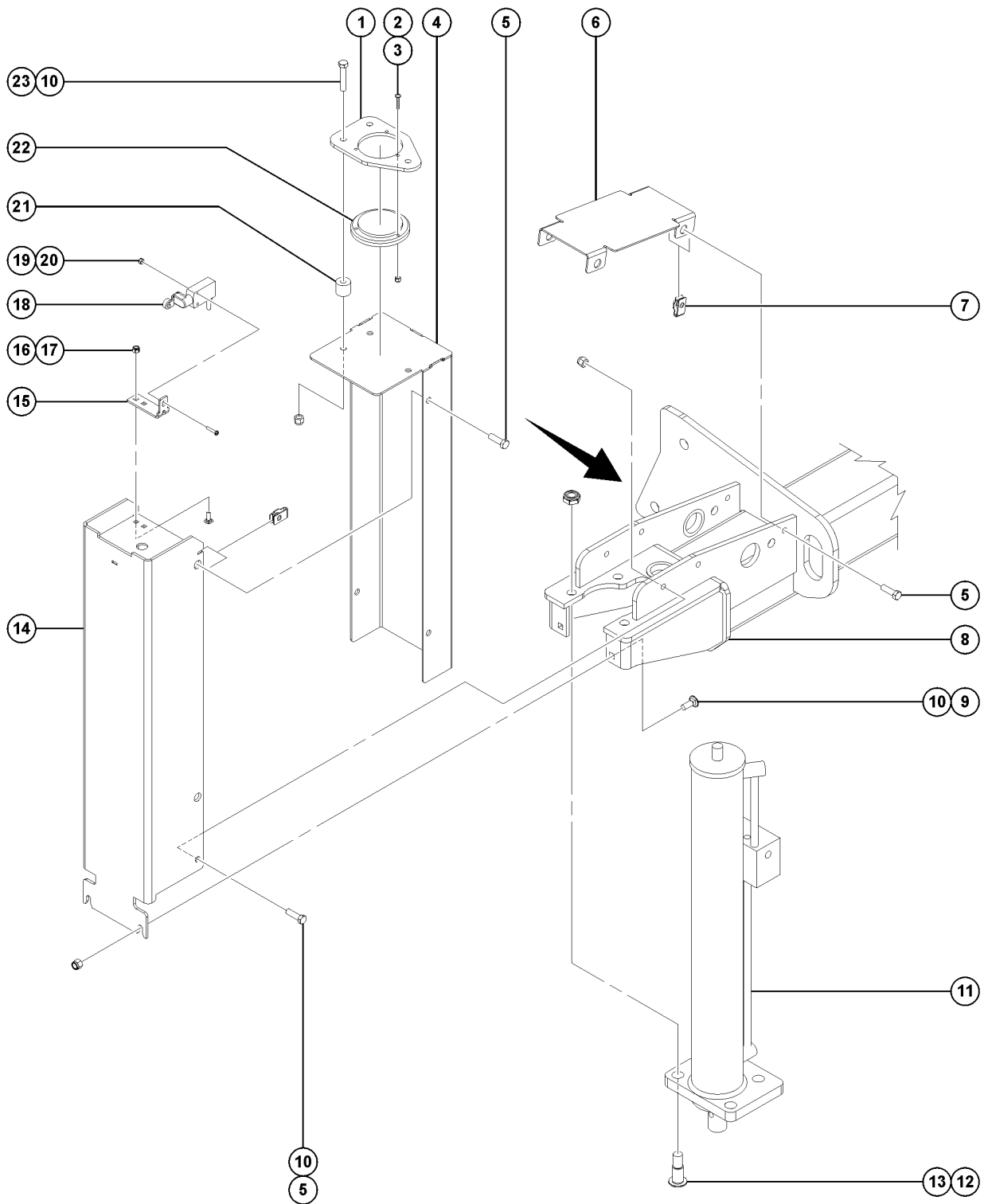


802.1 Outrigger Installation, View 1

Item	Part No.	Description	Qty.
1	6178GT	NUT,NYLOCK,10-32 (steer end) (models with high floatation tires)	2
2	6096GT	SCREW,HHC,1/2-13 X 2 GR5 (steer end) (models with high floatation tires)	2
3	160740GT	PLATE,O/R SPACER, HI FLOAT (steer end) (models with high floatation tires)	2
4	160739GT	PLATE, O/R MOUNT, HI FLOAT (steer end) (models with high floatation tires)	4
5A	160744GT	FORM,O/R FRONT CLAMP,HI FLOAT (steer end) (models with high floatation tires)	2
5B	148409GT	FORMING,O/R FRONT CLAMP (steer end) (models without high floatation tires)	2
6	51428GT	SCREW,HHC,3/4-10 X 2.75	8
7	10258GT	NUT,NYLOCK,3/4-10,GRD.2	8
8	6637GT	SCREW,HHC,1/4-20 X 1.75 (steer end)	2
9	6638GT	WASHER,FLAT,USS,1/4"Y (steer end)	2
10	148410GT	CLAMP,#4 HOSE,CLAMP (steer end)	2
11	56912GT	SPRING CLIP,1/4-20,.025-.15X.5 (steer end)	2
12	47238GT	GROMMET,RUBBER 1.5 ID	8
13		Ref. WELDMENT,OUTRIGGER YOKE (refer to 703.1)	
14	148329GT	TAPE,NON-SKID,2"X14"	2
15	148046GT	PLATE,OUTRIGGER MOUNT (non-steer end and steer end models without high floatation tires)	4



803.1 Outrigger Installation, View 2

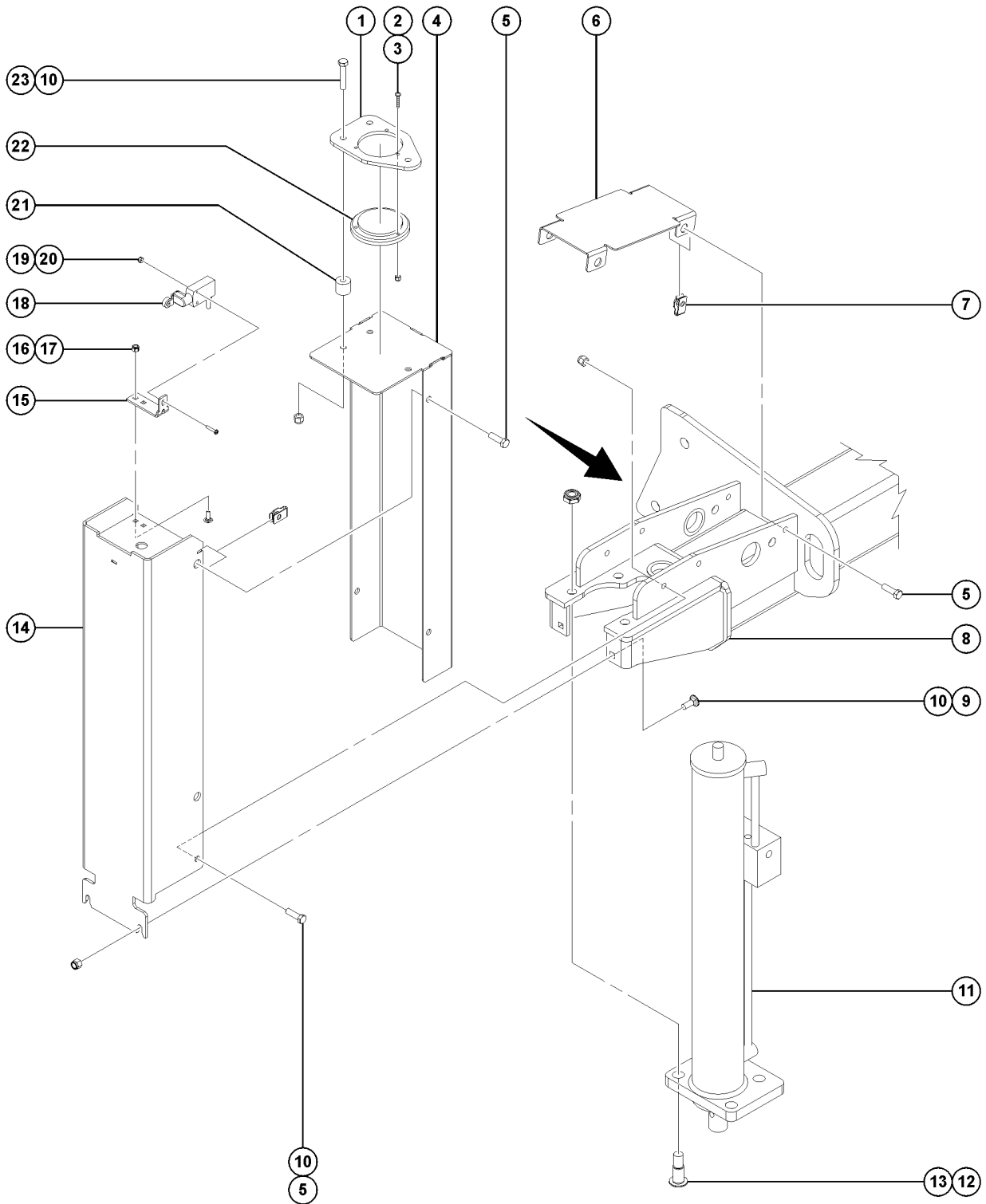


803.1 Outrigger Installation, View 2

Item	Part No.	Description	Qty.
1	87002GT	PLATE,BUBBLE LEVEL MOUNT	1
2A	49816GT	SCREW,PHILLIPS,PHM,10-32 X .75 to SN 11474	3
2B	826516GT	SCREW, PHPM, 10-32 X 1.0, ZAG from SN 11475	3
3A	6178GT	NUT,NYLOCK,10-32	3
3B	1275810GT	NUT,SERRATED,10-32,SS from SN 11475	3
4	148001GT	WELDMENT,O/R SWITCH COVER	4
5	6019GT	SCREW,HHC,3/8-16 X 1.25 GRD 5	
6	131972GT	FORMING,O/R HOSE COVER	4
7	29868GT	SPRING CLIP,3/8-16,.05-.20X.73,ZAG	
8A	148027GT	WELDMENT,OUTRIGGER YOKE steer end	1
8B	148044GT	WELDMENT,OUTRIGGER YOKE non-steer end	
9	64154GT	BOLT,CARRIAGE,3/8-16 X1.00,G5	
10	4828GT	NUT,NYLOCK,3/8-16	
11		Ref. CYLINDER,OUTRIGGER,GS69 (refer to 805.1)	
12	71912GT	BOLT,SHOULDER,5/8-11 X 1.19 LT	
13	38028GT	NUT,LP NYLOCK,5/8-11	
14	235089GT	HOUSING ASSY,OUTRIGGER,WO (ANSI, CSA & Australia models with word decals) (to SN 15270) (from SN 15085 to 15158, verify limit switch body before ordering)	
14-	235091GT	HOUSING ASSY,OUTRIGGER,SY (Asia, S. America & CE models with symbol decals) (to SN 15270) (from SN 15085 to 15158, verify limit switch body before ordering)	
14-	148000GT	WELDMENT,OUTRIGGER COVER (decals not included, refer to section 100) (to SN 15270) (from SN 15085 to 15158, verify limit switch body before ordering)	4
14B	1289877GT	WELDMENT, OUTRIGGER COVER (from SN 15271) (used on some models from SN 15085 to 15158, verify limit switch body before ordering)	
15	148024GT	FORMING,O/R LIM SWTCH BRACKET (to SN 15270) (from SN 15085 to 15158, verify limit switch body before ordering)	1
15B	1288967GT	FORMING,O/R LIM SWTCH BRACKET (from SN 15271) (used on some models from SN 15085 to 15158, verify limit switch body before ordering)	
16	6091GT	NUT,NYLOCK,1/4-20	
17	6878GT	BOLT,CARRIAGE,1/4-20 X .75,G2	
18	105692GT	SWITCH,LIMIT,W/ROLLER ARM (limit switch body XCMN2115L1) (to SN 15270) (from SN 15085 to 15158, verify limit switch body before ordering) (markings: 8B1807, 8B1820)	4
18B	1289888GT	SWITCH,LIMIT,W/ROLLER ARM (limit switch body B81843) (from SN 15271) (used on some models from SN 15085 to 15158, verify limit switch body before ordering) (markings: 8B1817, 8B1822)	4



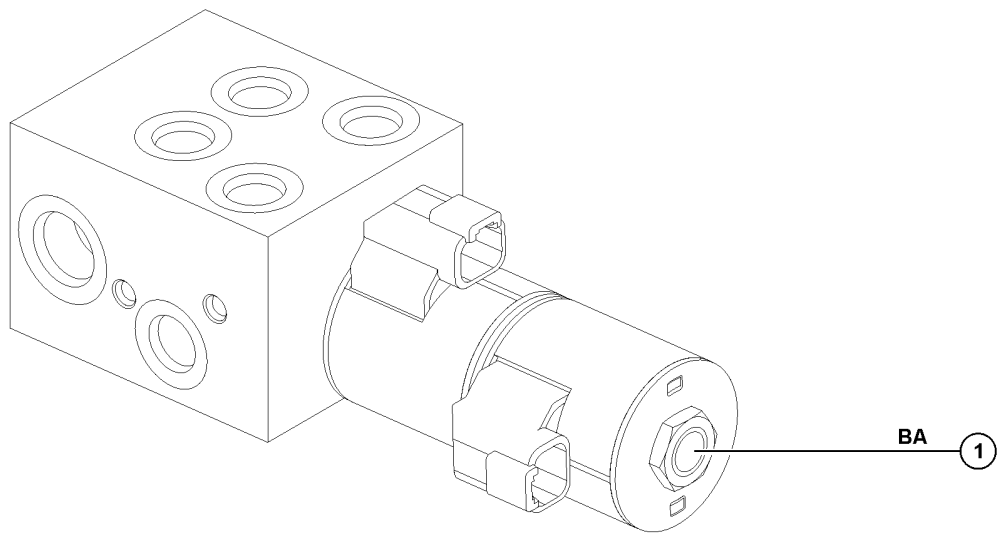
803.1 Outrigger Installation, View 2



<i>Item</i>	<i>Part No.</i>	<i>Description</i>	<i>Qty.</i>
19	18605GT	NUT,NYLOCK,8-32	
20	54380GT	SCREW,PHILLIPS,PHM,8-32 X .875	
21	59568GT	RUBBER, VIBRATION MOUNT	3
22A	1259500GT	KIT,BUBBLE LEVEL UPDATE	
		to SN 5603	
22B	1275562GT	LEVEL,BUBBLE,3 DEG,BOSS	
		from SN 5604 to 11474	
22C	6714GT	LEVEL,BUBBLE	
		ANSI/CSA models from 11475	
22D	1275562GT	LEVEL,BUBBLE,3 DEG,BOSS	
		CE/AUS models from 11475	
23	5224GT	SCREW,HHC,3/8-16 X 2	



804.1 Outrigger Manifold

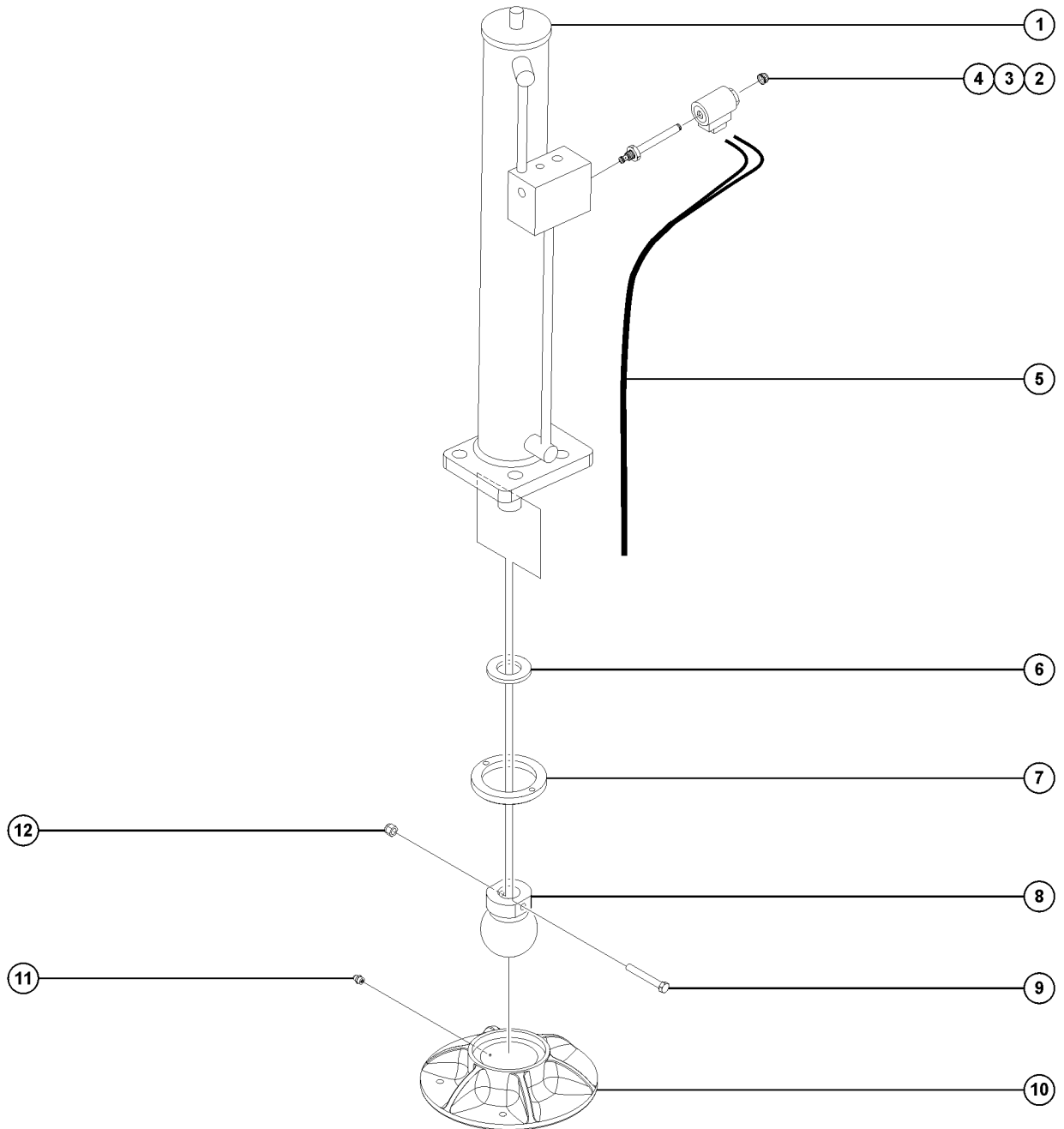


804.1 Outrigger Manifold

Item	Part No.	Description	Qty.
--		Use the letter callouts to cross-reference with the Service Manual.	
--	234999GT	MANIFOLD,OUTRIGGER,GS69DC (manifold, complete)	
1	84109GT	VALVE,DIR,#10 SAE,3 POS. 4 WAY (BA, Outriggers in / out)	1
1-	44230GT	SEAL KIT-P.N.44169,44172,44171	
1-	104763GT	COIL,24VDC #10DTSCH IP69 ECOIL	
1-	44174GT	NUT-COIL SHORT	
1-	44175GT	SPACER-DUAL COIL,#10, SCISSORS	



805.1 Outrigger Cylinders, All Models

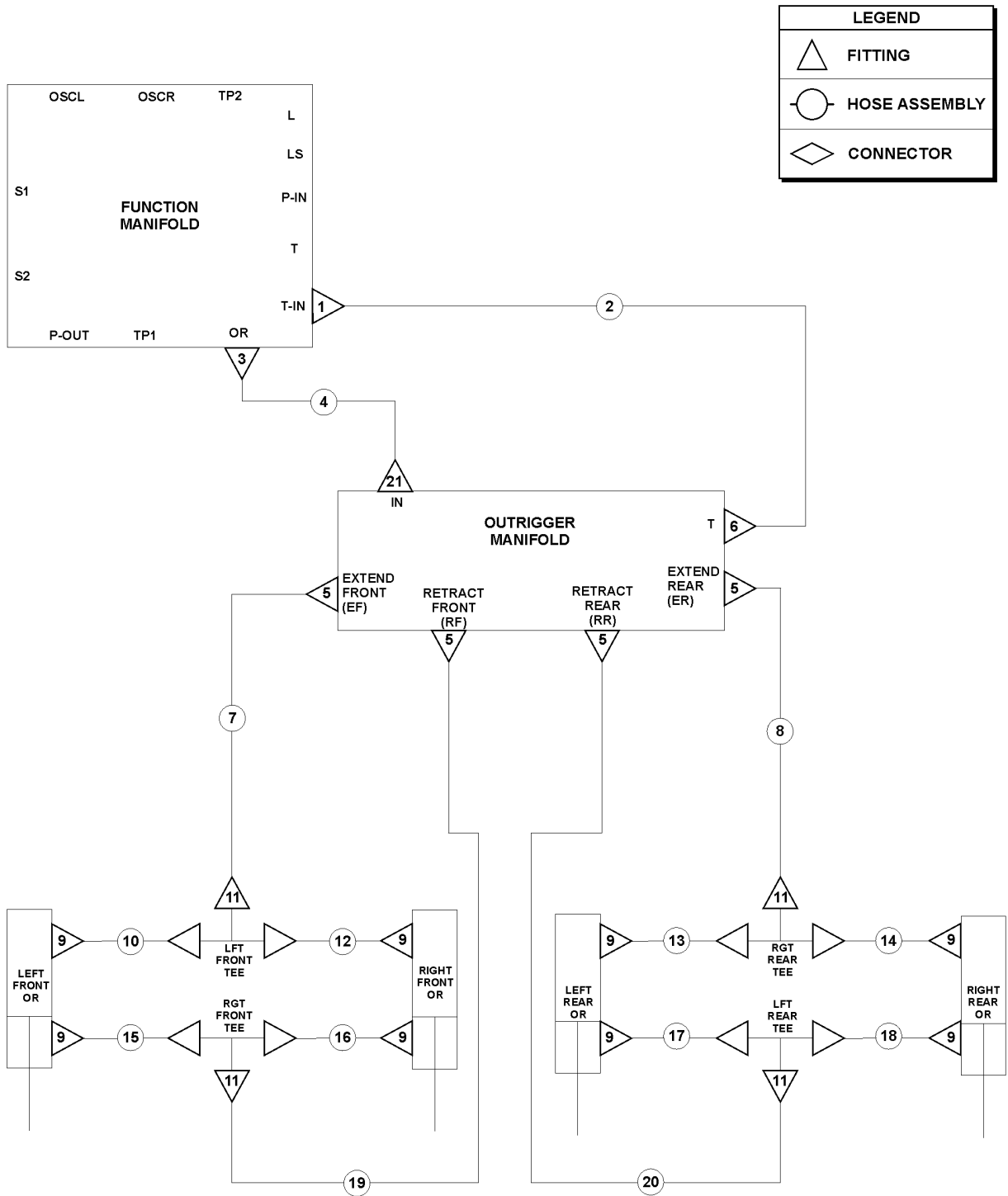


805.1 Outrigger Cylinders, All Models

Item	Part No.	Description	Qty.
--	112537GT	FOOTPAD ASSY,RTSC OUTRIGGER (includes items 6, 7 & 9)	
1	131428GT	CYLINDER,OUTRIGGER,GS69 order valve and coil separately	1
1-	226381GT	SEAL KIT,(131428) (for 131428)	
2	72097GT	NUT,SOLENOID VALVE,OUTRIGGERS 1	
3	79831GT	VALVE,NC,BI-DI,CART*** 1	
4	67933GT	COIL, 12VDC,DIODE,DEUTSCH 1	
4A	71925GT	PILOT CHECK VALVE 1	
5		Ref. Outrigger Wire Harness (refer to 309.1)	
6	55682GT	PLATE, CYL UP LIMIT 1	
7	55484GT	RETAINER, GS68 O/R FOOTPAD*** 1	
8	55485GT	CASTING, BALL, GS OUTRIGGER 1	
9	6326GT	SCREW,HHC,3/8-16 X 3 1	
10	51814GT	CASTING,OUTRIGGER FOOTPAD *** order 1280156 separately	1
10B	1280156GT	KIT,OUTRIGGER PAD LOCTITE,RT order footpad separately	
11	28646GT	ZERK,GREASE,1/8 NPT 1	
12	4828GT	NUT,NYLOCK,3/8-16 1	



806.1 Hydraulic Hoses and Fitting, Outrigger



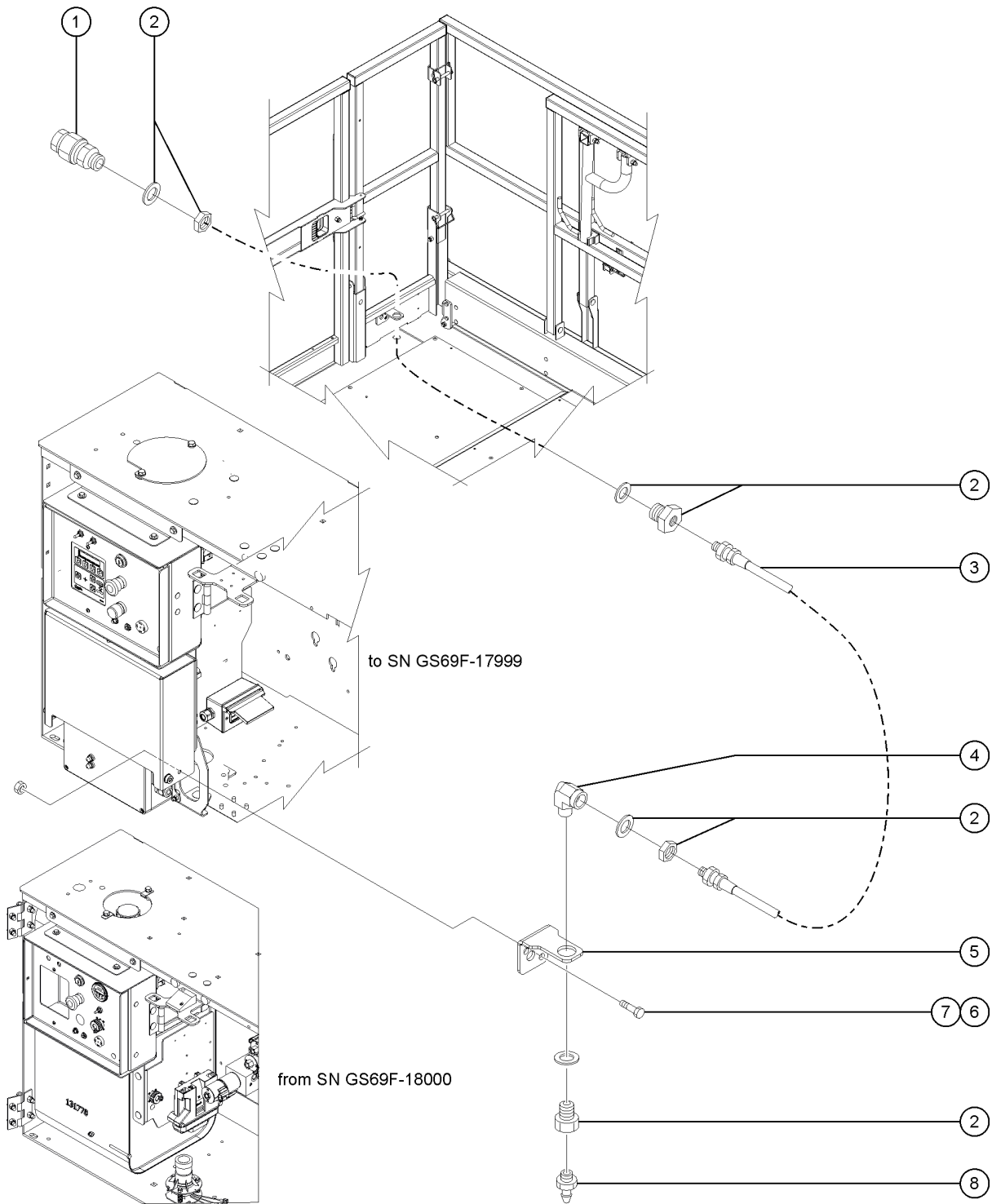
LEGEND	
	FITTING
	HOSE ASSEMBLY
	CONNECTOR

806.1 Hydraulic Hoses and Fitting, Outrigger

Item	Part No.	Description	Qty.
1	48948GT	CONN,520120-8-12	1
2	1254069GT	HOSE,ASSY,T(OR,MF)-TIN(F,MF) (components: 2x 48822, 48756 @ 17.5 inches)	1
3	48930GT	CONN,520120-6-8	1
4	1254068GT	HOSE ASSY,OR(F,MF)-IN(OR,MF) (components: 2x 48812, 56776 @ 17.5 inches)	1
5	48916GT	CONN, 520120-6	4
6	48932GT	FITTING,ELBOW,90D,520220-8***	1
7	227487GT	HOSE ASSY,EF(OR,MF)-LF OR.TEE (components: 48812, 227488, 56776 @ 98 inches)	1
8	227724GT	HOSE ASSY,ER(OR,MF)-LR.OR.TEE	1
9	48905GT	CONN,520120-4***	8
10	227489GT	HOSE ASSY,LF.OR.TEE-E(LF.OR.CY (components: 48812, 227488, 56776 @ 98 inches)	1
11	48909GT	TEE,BULKHEAD,RUN,520958-4	4
12	227490GT	HOSE ASSY,LF.OR.TEE-E(RF.OR.CY (components: 48800, 48800, 48751 @ 75 inches)	1
13	227738GT	HOSE ASSY,LR.OR.TEE-E(LR.OR.CY (components: 48800, 48802, 48751 @ 75 inches)	1
14	227728GT	HOSE ASSY,LR.OR.TEE-E(RR.OR.CY (components: 48800, 48800, 48751 @ 20 inches)	1
15	227730GT	HOSE ASSY,RF.OR.TEE-R(LF.OR.CY (components: 48800, 48800, 48751 @ 75 inches)	1
16	227740GT	HOSE ASSY,RF.OR.TEE-R(RF.OR.CY (components: 48800, 48802, 48751 @ 20 inches)	1
17	227732GT	HOSE ASSY,RR.OR.TEE-R(LR.OR.CY (components: 48800, 48800, 48751 @ 20 inches)	1
18	227742GT	HOSE ASSY,RR.OR.TEE-R(RR.OR.CY (components: 48800, 48802, 48751 @ 75 inches)	1
19	227726GT	HOSE ASSY,FR(OR,MF)-RF.OR.TEE (components: 48812, 227488, 56776 @ 98 inches)	1
20	227735GT	HOSE ASSY,RR(OR,MF)-RR.OR.TEE (components: 48812, 227488, 56776 @ 98 inches)	1
21	48915GT	ELBOW,90D,520220-6	1



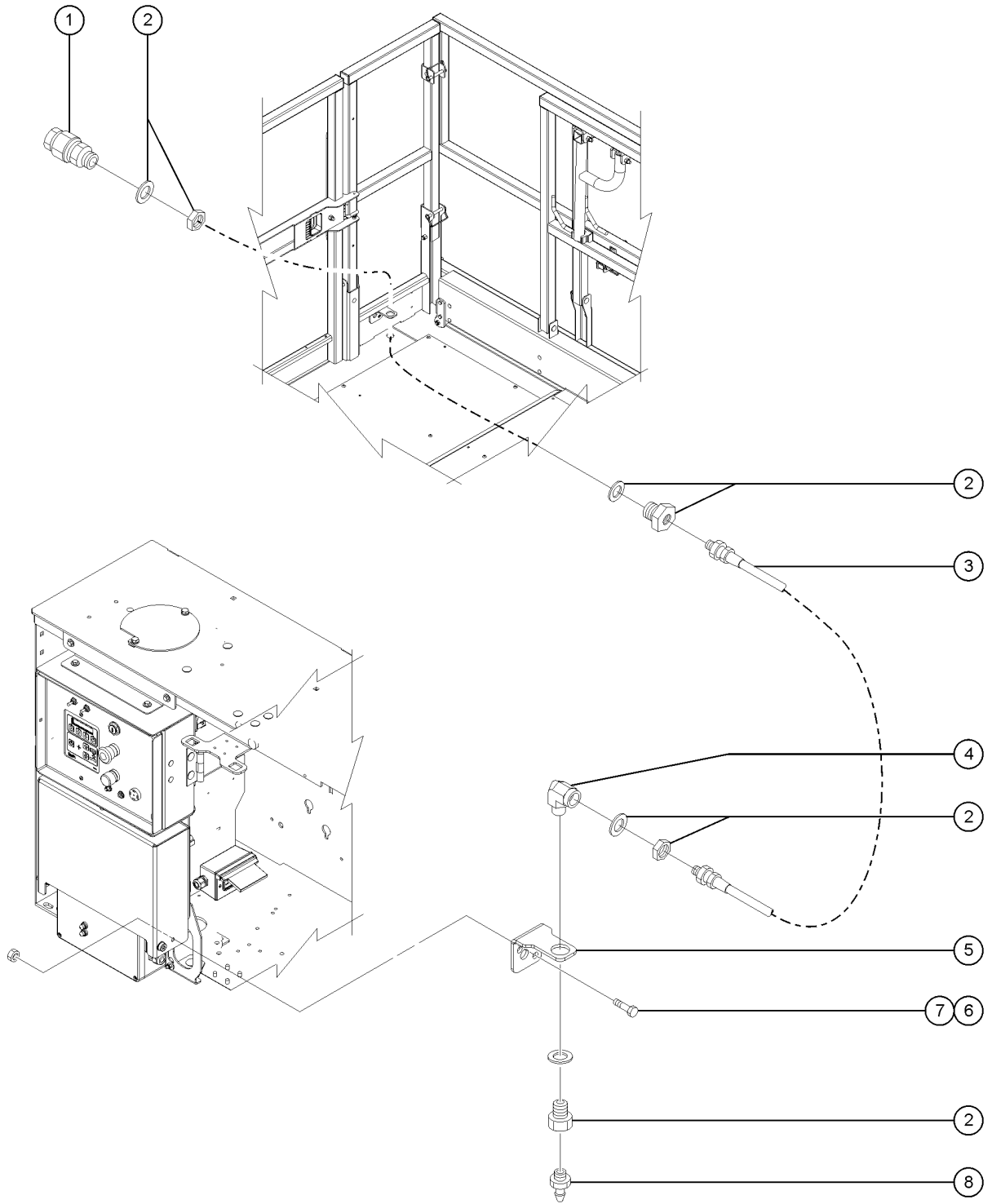
807.1 Air Line to Plat, GS-2669



<i>Item</i>	<i>Part No.</i>	<i>Description</i>	<i>Qty.</i>
1	27895GT	COUPLER,1/4"SERIES 3/8 MPT	1
2	27900GT	BULKHEAD,FEMALE X 6 X 6	2
3	27903GT	HOSE,LOW PRESSURE,.375 ID,BLK	676
		GS-2669	
3-	27901GT	HOSE END,BARBED,RIGID,-6-6	2
4	79383GT	BRASS STREET ELBOW	1
5	47077GT	BRACKET,AIRLINE MOUNTING	2
6	8255GT	SCREW,HHC,3/8-16 X .75	
7	4828GT	NUT,NYLOCK,3/8-16	
8	27894GT	PLUG,1/4"SERIES,3/8 MPT	1



807.2 Air Line to Plat, GS-3369

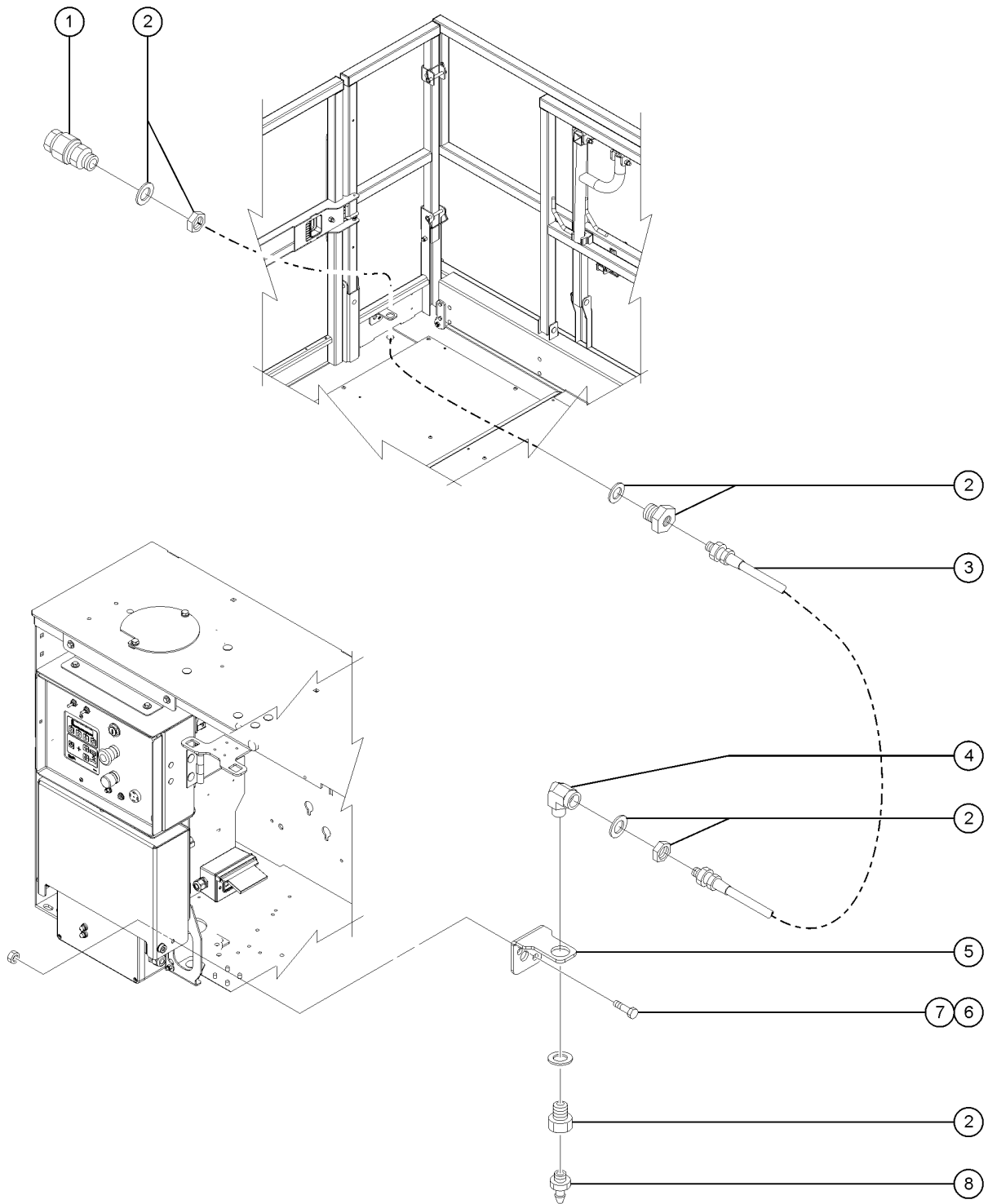


807.2 Air Line to Plat, GS-3369

<i>Item</i>	<i>Part No.</i>	<i>Description</i>	<i>Qty.</i>
1	27895GT	COUPLER,1/4"SERIES 3/8 MPT	1
2	27900GT	BULKHEAD,FEMALE X 6 X 6	2
3B	27903GT	HOSE,LOW PRESSURE,.375 ID,BLK	790
		GS-3369	
3B-	27901GT	HOSE END,BARBED,RIGID,-6-6	2
4	79383GT	BRASS STREET ELBOW	1
5	47077GT	BRACKET,AIRLINE MOUNTING	2
6	8255GT	SCREW,HHC,3/8-16 X .75	
7	4828GT	NUT,NYLOCK,3/8-16	
8	27894GT	PLUG,1/4"SERIES,3/8 MPT	1



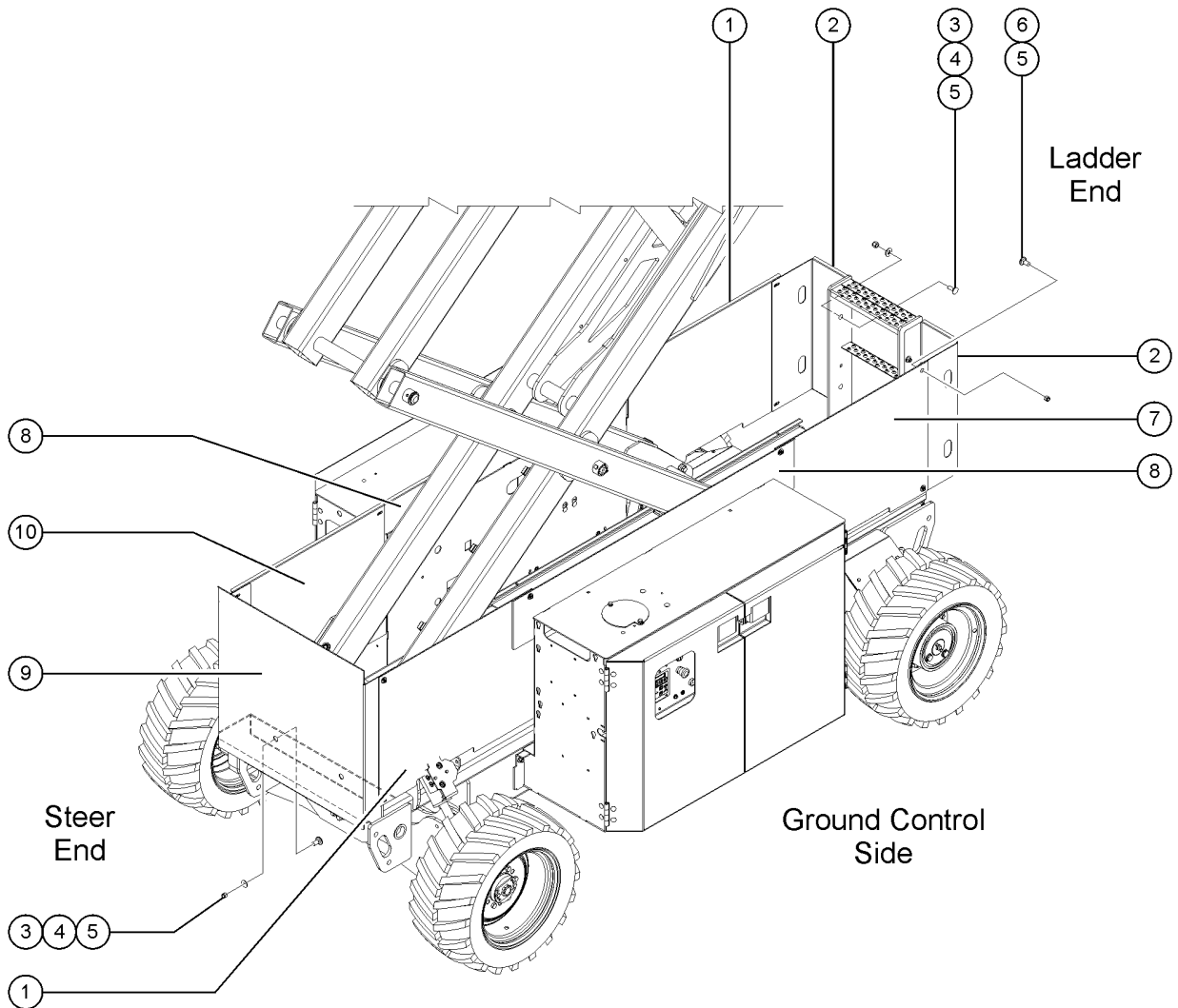
807.3 Air Line to Plat, GS-4069



<i>Item</i>	<i>Part No.</i>	<i>Description</i>	<i>Qty.</i>
1	27895GT	COUPLER,1/4"SERIES 3/8 MPT	1
2	27900GT	BULKHEAD,FEMALE X 6 X 6	2
3C	27903GT	HOSE,LOW PRESSURE,.375 ID,BLK	900
		GS-4069	
3C-	27901GT	HOSE END,BARBED,RIGID,-6-6	2
4	79383GT	BRASS STREET ELBOW	1
5	47077GT	BRACKET,AIRLINE MOUNTING	2
6	8255GT	SCREW,HHC,3/8-16 X .75	
7	4828GT	NUT,NYLOCK,3/8-16	
8	27894GT	PLUG,1/4"SERIES,3/8 MPT	1



808.1 Link Guard, CE and Australia, GS-2669

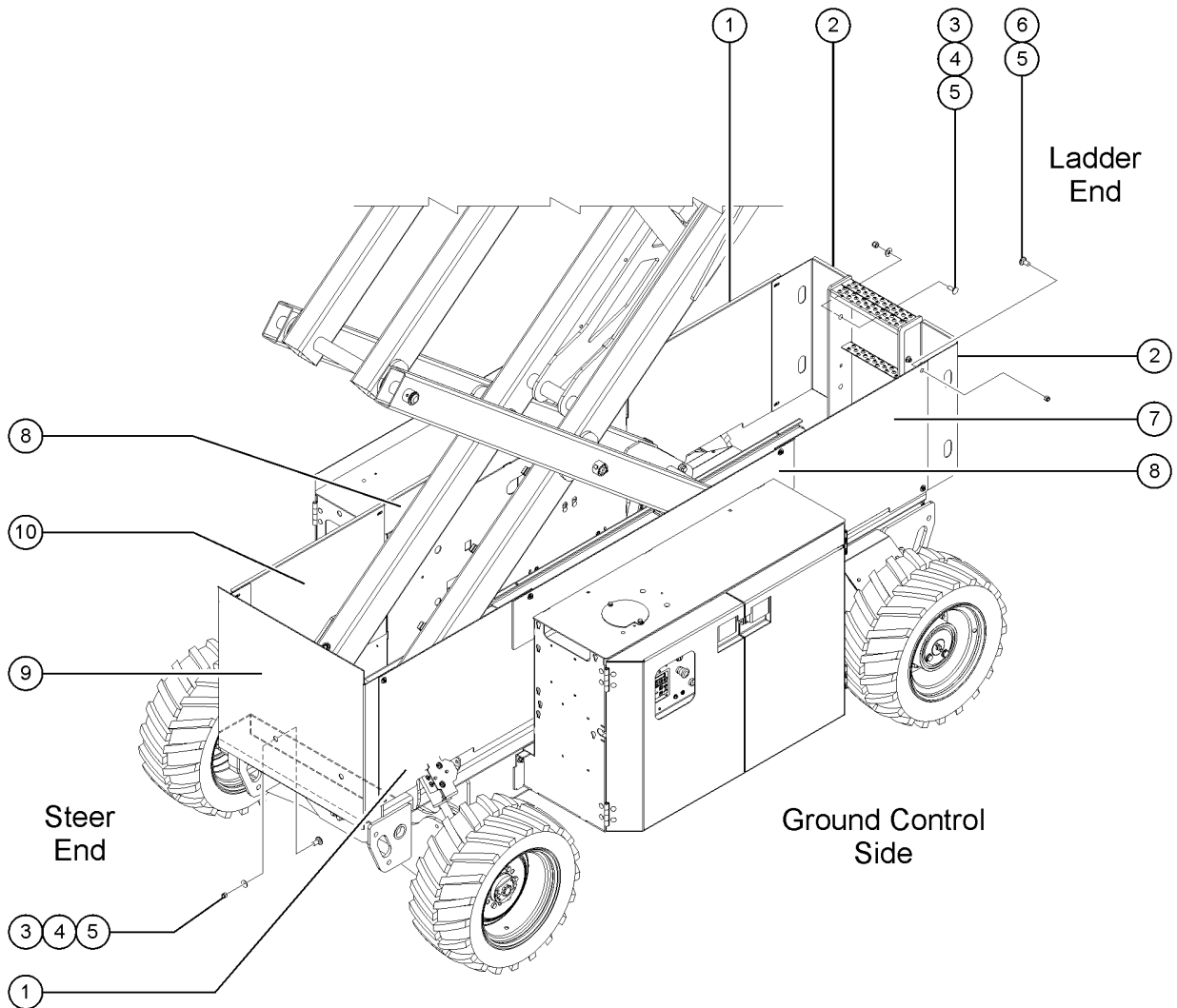


808.1 Link Guard, CE and Australia, GS-2669

<i>Item</i>	<i>Part No.</i>	<i>Description</i>	<i>Qty.</i>
1A	227768GT	FORMING, LINK GUARD, SIDE, 26/33 for GS-2669 & GS-3369 (ground controls side, front & battery pack side, rear)	2
2A	227713GT	FORMING, LINK GUARD, BACK, 26/33 for GS-2669 & GS-3369	2
3	105092GT	BOLT,CARRIAGE,3/8-16X1.25,GR5	
4	6097GT	WASHER,FLAT,USS,3/8",Y	
5	4828GT	NUT,NYLOCK,3/8-16	
6	73466GT	BOLT,CARRIAGE,3/8-16 X 1.00,G2	
7A	227716GT	FORMING, LINK GUARD, SIDE, 26/33 for GS-2669 & GS-3369 without oil cooler option (ground controls side, rear)	1
7B	227714GT	FORMING,LNK GRD,SIDE,OPT,26/33 for GS-2669 & GS-3369 with oil cooler option (ground controls side, rear)	1
9A	227715GT	FORMING, LINK GUARD, FRONT, 26/33 for GS-2669 & GS-3369	1
10A	227716GT	FORMING, LINK GUARD, SIDE, 26/33 for GS-2669 & GS-3369 (battery pack side, front)	1



808.2 Link Guard, CE and Australia, GS-3369

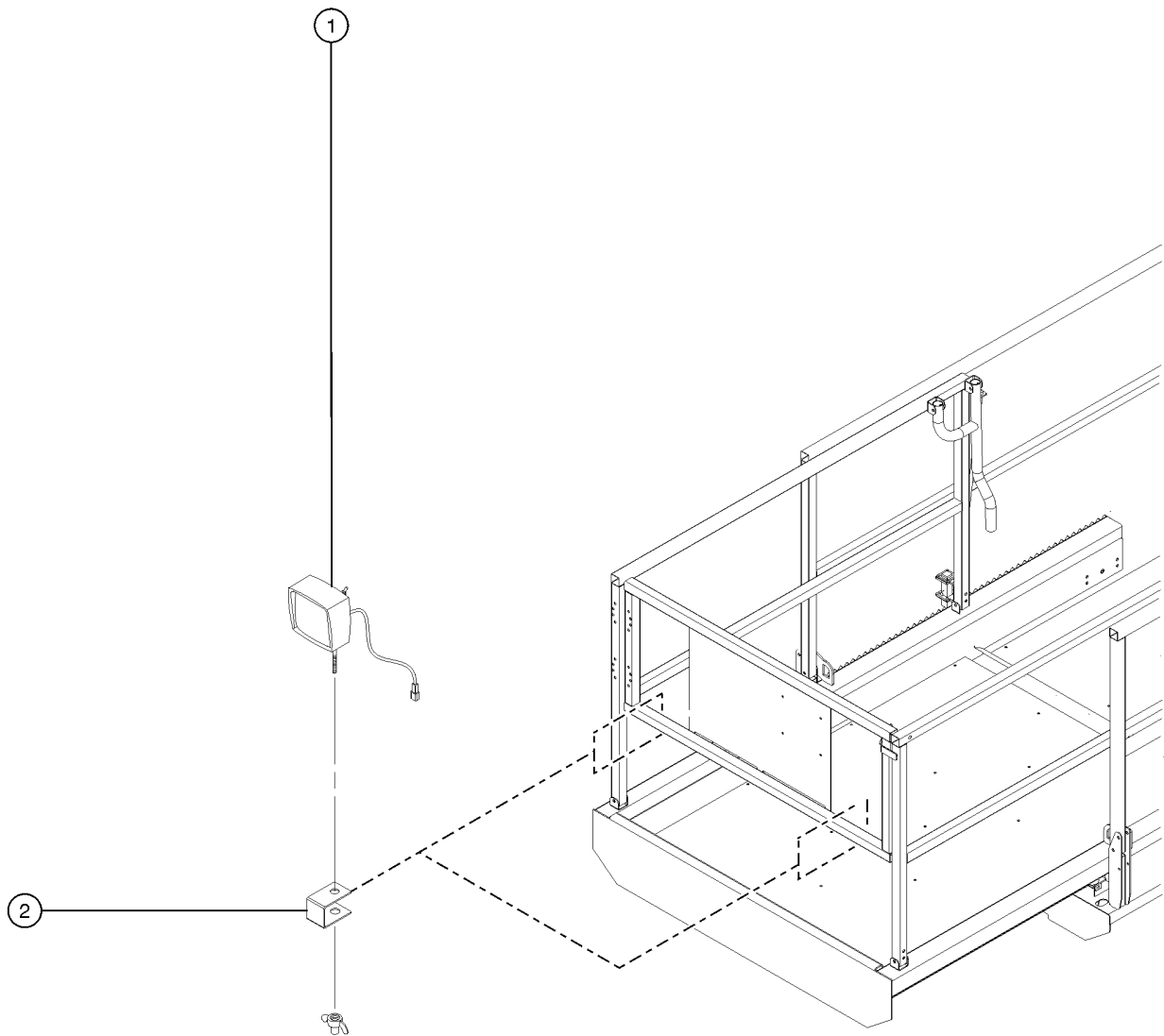


808.2 Link Guard, CE and Australia, GS-3369

<i>Item</i>	<i>Part No.</i>	<i>Description</i>	<i>Qty.</i>
1B	T114354GT	FORMING, LINKGUARD, SIDE, 40 for GS-4069 (ground controls side, front & battery pack side, rear)	2
2B	T114357GT	FORMING, LINKGUARD, END, 40 for GS-4069	2
3	105092GT	BOLT, CARRIAGE, 3/8-16X1.25, GR5	
4	6097GT	WASHER, FLAT, USS, 3/8", Y	
5	4828GT	NUT, NYLOCK, 3/8-16	
6	73466GT	BOLT, CARRIAGE, 3/8-16 X 1.00, G2	
7C	T114353GT	FORMING, LINKGUARD, SIDE, 40 for GS-4069 without oil cooler option (ground controls side, rear)	1
7D	227717GT	FORMING, LINK GUARD, SIDE, OPT, 40 for GS-4069 with oil cooler option (ground controls side, rear)	1
8	T114358GT	FORMING, LINKGUARD, BOXTOP for GS-4069	2
9B	T114356GT	FORMING, LINKGUARD, SIDE, 40 for GS-4069	1
10B	T114353GT	FORMING, LINKGUARD, SIDE, 40 for GS-4069 (battery pack side, front)	1



809.3 Platform Work Light, GS-4069

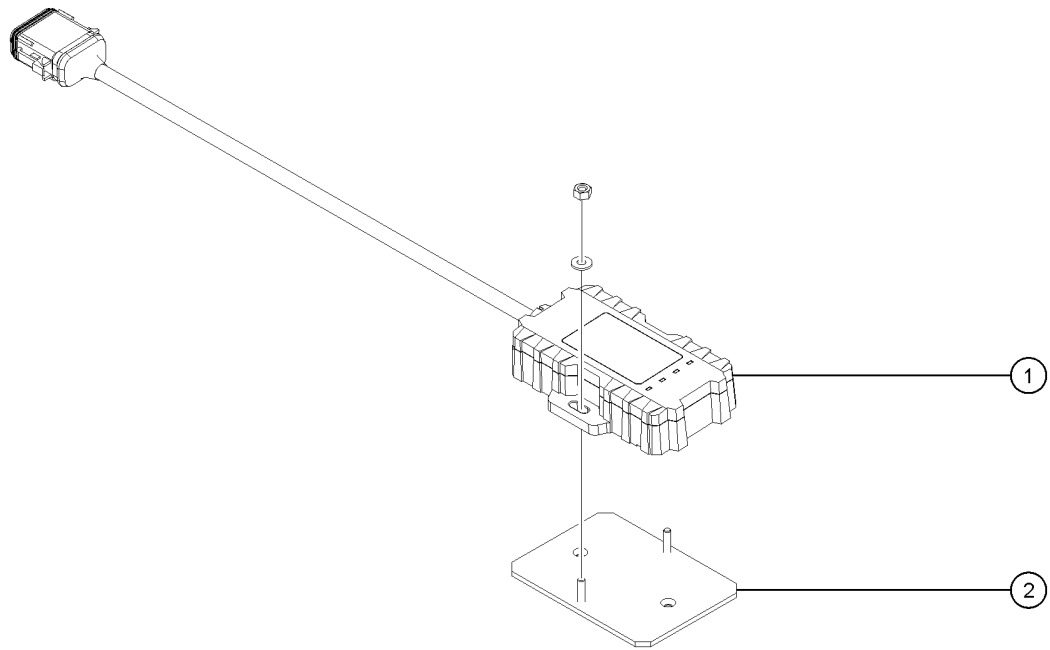


809.3 Platform Work Light, GS-4069

<i>Item</i>	<i>Part No.</i>	<i>Description</i>	<i>Qty.</i>
A	823041GT	WORKLIGHTS,FIELD KIT,GS-2669	1
A-	823044GT	HARNESS,GS2669 WORKLIGHTS	1
B	823042GT	WORKLIGHTS,FIELD KIT,GS-3369	1
B-	823045GT	HARNESS,GS3369 WORKLIGHTS	1
C	823043GT	WORKLIGHTS,FIELD KIT,GS-4069	1
C-	823046GT	HARNESS,GS4069 WORKLIGHTS	1
1	71498GT	WORKLIGHT, 12V, DEUTSCH RECEPT	2
2	71382GT	BRACKET, WORK LIGHTS, OPTION	2
3	28443GT	CABLE TIE,11.5" BLACK	
		not shown	



810.1 Telematics Option (from SN GS6914-5500)

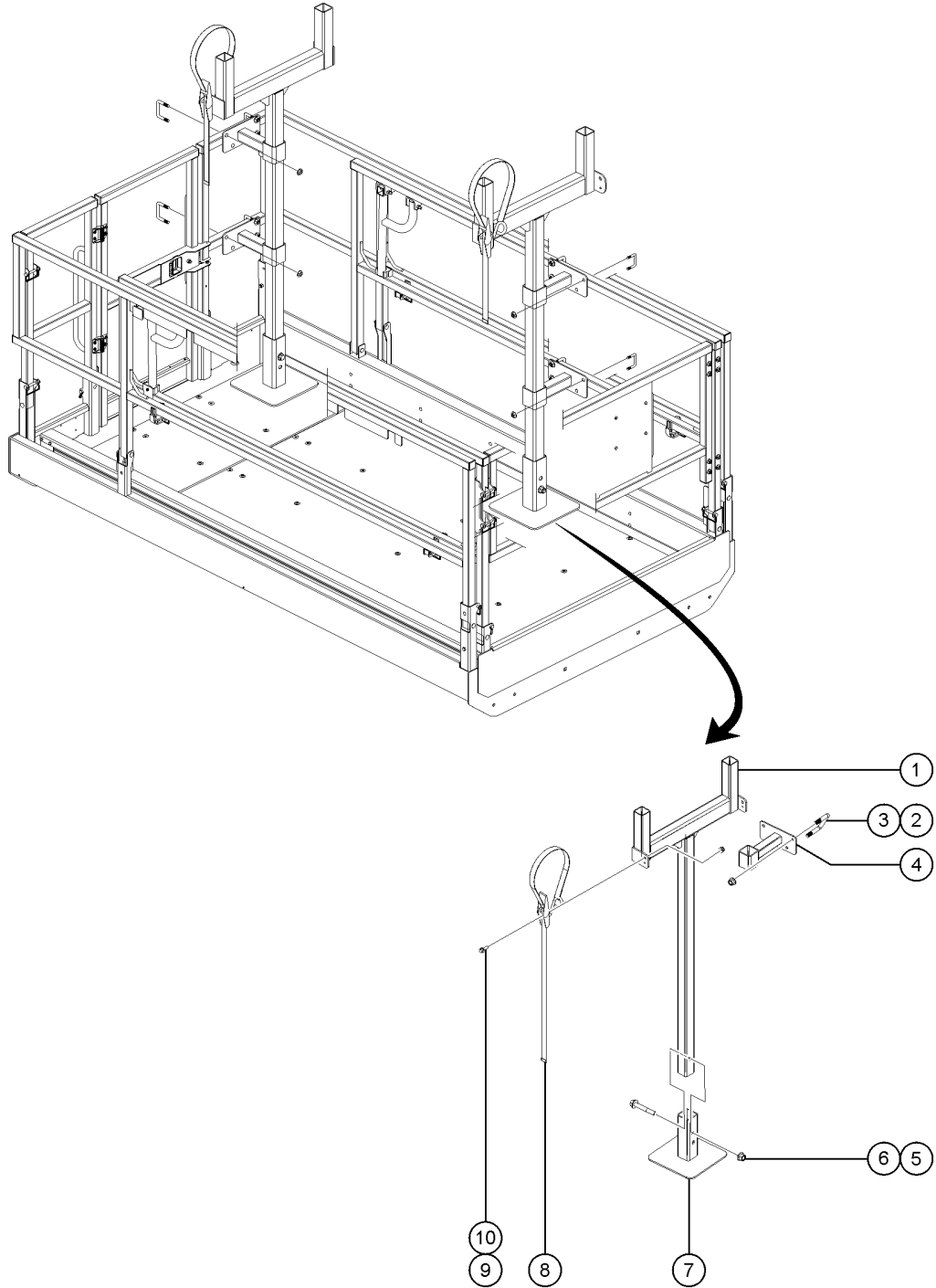


810.1 Telematics Option (from SN GS6914-5500)

Item	Part No.	Description	Qty.
-	1295970GT	KIT, RETROFIT, HARNESS, GS69 DC/BE, LIFT CONNECT for units after SN GS6914-5500 for first time insulation, must order this kit with one of the models 1289520GT, 1289521GT, 1289522GT, or 1289523GT	1
-	1289899GT	HARNESS, GATEWAY, GS	
-	1293512GT	JUMPER, PIN SWITCH, GS69 DC/BE	
1	1289520GT	MODULE, TELEMATICS, ZTR, M7, NORTH AMERICA	1
1B	1289521GT	MODULE, TELEMATICS, ZTR, M7, EMEA/APAC	
1C	1289522GT	MODULE, TELEMATICS, ZTR, M7, APAC/ANZ	
1D	1289523GT	MODULE, TELEMATICS, ZTR, M7, JAPAN	
2	1289561GT	BRACKET, TELEMATICS	1



811.1 Lift Tool Material Carrier



811.1 Lift Tool Material Carrier

<i>Item</i>	<i>Part No.</i>	<i>Description</i>	<i>Qty.</i>
-	1288239GT	KIT, LIFT TOOL MATERIAL CARRIER	1
-	1289762GT	ASSY, MATERIAL CARRIER POST	2
		(includes items 1 and 8-10)	
1	1288627GT	WELDMENT, MATERIAL CARRIER POST	2
2	131681GT	U-BOLT,SQR,3/8-16X2X3,PLTD	8
3	1274322GT	NUT,NYLOCK FLG,3/8-16,G,ZAG	16
4	1288628GT	WELDMENT, MATERIAL CARRIER, RAIL ATTACHMENT	4
5	1274172GT	NUT,NYLOCK FLG,1/2-13,G,ZAG	2
6	1256850GT	SCREW,HHF,1/2-13X3.25,8,ZAG	2
7	1288629GT	WELDMENT, MATERIAL CARRIER, BASE	2
8	1288205GT	STRAPS, RATCHET	2
9	824078GT	SCREW,HHF,1/4-20X.75,8,ZAG	2
10	1277924GT	NUT,NYLOCK FLG,1/4-20,F,ZAG	2



<u>Part no.</u>	<u>Page Number</u>	<u>Part no.</u>	<u>Page Number</u>	<u>Part no.</u>	<u>Page Number</u>
4266GT	181, 183, 193	8516GT	105, 107, 109	28235GT	13, 17, 19, 23, 27, 29...
4828GT	91, 101, 105, 107, 109, 111...	8914GT	199	28236GT	17, 19, 37, 39, 57, 59
5224GT	237	8915GT	93	28373GT	11, 13, 31, 33, 51, 53...
5365GT	101	9116GT	131	28443GT	167, 171, 255
5397GT	123, 131, 137, 161	10107GT	161	28646GT	241
6019GT	141, 147, 235	10258GT	233	28750GT	213
6021GT	147	10598GT	167, 177, 183	29868GT	147, 195, 235
6052GT	143	10775GT	201, 203, 205	30434GT	169, 177, 185
6086GT	109	10777GT	201, 203, 205	30490GT	161
6090GT	91, 99, 105, 107, 109, 113	11335GT	143	30784-2550GT	129
6091GT	93, 99, 113, 115, 121, 125	13002GT	123	31060GT	11, 31, 51, 71
6095GT	105, 107, 109, 111, 183	13064GT	101	31506GT	113
6096GT	103, 107, 109, 161, 177, 183	13585GT	201, 203, 205	31508GT	13, 33, 53, 73
6097GT	91, 101, 105, 107, 109, 113...	13597GT	201	31658GT	113
6145GT	131	13918GT	97, 161	31788GT	11, 31, 51, 71
6175GT	191, 195	14033GT	101, 109, 113, 115, 179, 181	33277GT	127
6178GT	119, 125, 131, 143, 229, 233	14392GT	95, 147	33278GT	131
6198GT	103, 107, 109, 121, 141, 167	15243GT	115	33550GT	195
6326GT	141, 167, 179, 199, 241	17626GT	143	33629GT	201, 203, 205
6356GT	129	18383GT	101, 109, 113, 115, 179, 181	33724GT	201, 203, 205
6357GT	129	18503GT	139	33987GT	101
6595GT	125, 201, 203, 205	18540GT	101	34053GT	119, 143
6626GT	201, 203, 205	18605GT	101, 111, 115, 151, 141, 167...	35418GT	135, 161
6637GT	93, 191, 233	19440GT	93	35461GT	111, 143, 161, 177, 183
6638GT	93, 113, 131, 137, 139, 191...	21149GT	101	35706GT	195
6700GT	117	22446GT	193	36294GT	139
6708GT	193, 195	22699GT	123	36372GT	143
6714GT	237	22788GT	105, 107, 109, 161, 177, 183	37947GT	115
6782GT	123, 163, 195	23405GT	143	38016GT	195
6833GT	135	24514GT	197	38028GT	191, 235
6878GT	121, 125, 131, 135, 139, 147...	25388GT	125, 201, 203, 205	38149GT	13, 33, 53, 73
6886GT	99, 161	25817GT	91, 215	38582GT	125
6888GT	129	27126GT	129	39540GT	117, 207
6889GT	121, 125, 193, 197, 199	27246GT	115, 117	39581GT	161
6935GT	141	27894GT	245, 247, 249	39875GT	221, 225
7056GT	201, 203, 205	27895GT	245, 247, 249	39882GT	215, 221, 225
7127GT	201, 203, 205	27900GT	245, 247, 249	40434GT	17, 19, 27, 29, 37, 39...
7339GT	97, 129, 143	27901GT	245, 247, 249	40928GT	173, 179
7713GT	99, 111, 195	27903GT	245, 247, 249	43392GT	147
8177GT	167, 177, 183	28174GT	13, 17, 19, 23, 27, 29...	43618GT	17, 19, 27, 29, 37, 39...
8179GT	93	28175GT	11, 13, 31, 33, 51, 53	43658GT	23, 43, 63, 83
8255GT	93, 101, 121, 243, 247, 249	28176GT	17, 19, 37, 39, 57, 59	43956GT	201, 203, 205

<u>Part no.</u>	<u>Page Number</u>	<u>Part no.</u>	<u>Page Number</u>	<u>Part no.</u>	<u>Page Number</u>
44174GT	239	48999GT	223, 227	55921GT	123
44175GT	239	49379GT	161	56099GT	161
44227GT	217, 219	49517GT	221, 225	56302GT	119, 143
44230GT	239	49775GT	95	56912GT	91, 99, 105, 107, 109, 135...
44255GT	11, 13, 31, 33, 51, 53	49816GT	131, 143, 229, 235	58320GT	101
44736GT	17, 19, 37, 39, 57, 59	49819GT	119, 139	58380GT	121
44743GT	197	49820GT	115	58486GT	121
44909GT	135, 165	49821GT	111, 131, 161, 171, 183	59568GT	237
44973GT	217, 219	49826GT	125	60334GT	121
44980GT	23, 43, 63, 83	49857GT	91	60746GT	93
44981GT	13, 17, 19, 23, 27, 29...	50793GT	99	60790GT	105, 107, 109, 129
45112GT	91	51428GT	233	60857GT	121
45113GT	91	51474GT	101	62341GT	213
45114GT	91	51738GT	143	64154GT	111, 113, 121, 125, 131, 135...
45384GT	133	51814GT	241	65737GT	125, 201, 203, 205
45435GT	135	52420GT	135	66030GT	191, 193, 197
45437GT	201, 203, 205	52475GT	11, 13, 21, 23, 31, 33...	66353GT	201, 203, 205
45458GT	139, 141	52494GT	17, 19, 37, 39, 57, 59	66355GT	201, 203, 205
45645GT	115, 141	52865GT	13, 33, 53, 73	66356GT	201, 203, 205
47077GT	245, 247, 249	52907GT	211, 213	66397GT	131
47230GT	191, 195	53452GT	93	66683GT	217, 219
47238GT	233	53500GT	215	66717GT	143
47478GT	191, 197	54204GT	135	66812GT	117, 207
47793GT	193	54365GT	143	66813GT	117
48425GT	113, 195	54380GT	141, 237	66816GT	117
48878GT	223, 227	54436GT	101	66817GT	207
48905GT	215, 221, 225, 243	54627GT	91, 99	66818GT	117, 207
48909GT	221, 225, 243	54958GT	91	66821GT	117
48911GT	93	54959GT	91	66842GT	119
48912GT	221, 225	54960GT	91	67387GT	97
48915GT	223, 227, 243	54961GT	91	67504GT	153, 161
48916GT	211, 213, 221, 223, 243	54962GT	91	67505GT	153
48930GT	243	55067GT	131	67933GT	241
48932GT	243	55089GT	201	69586GT	137
48933GT	221, 225	55484GT	241	69775GT	161
48946GT	223	55485GT	241	69776GT	143
48947GT	223, 227	55517GT	115, 147, 197	69853GT	207
48948GT	243	55558GT	219	69879GT	129
48959GT	223, 227	55559GT	219	71202GT	121
48960GT	221, 225	55675GT	147	71315GT	191, 195
48984GT	223, 227	55682GT	241	71376GT	191
48997GT	221, 225	55906GT	143	71382GT	255



<u>Part no.</u>	<u>Page Number</u>	<u>Part no.</u>	<u>Page Number</u>	<u>Part no.</u>	<u>Page Number</u>
71484GT	113	82557GT	17, 19, 37, 39, 57, 59	97602GT	11, 31, 51, 71
71498GT	255	82558GT	13, 33, 53	97719GT	13, 23, 33, 43, 53, 63...
71508GT	111	82560GT	23, 43, 63, 83	99267GT	195
71912GT	235	82561GT	11, 13, 31, 33, 51, 53...	99268GT	195
71925GT	241	82562GT	21, 23, 41, 43, 61, 63...	99346GT	111, 113
72086GT	11, 13, 21, 23, 31, 33...	82666GT	21, 23, 41, 43, 61, 63...	101069GT	211, 213
72097GT	241	83020GT	221, 225	101718GT	113, 115, 125
72186GT	11, 13, 31, 33, 51, 53...	83092GT	101	104235GT	109
72326GT	117, 207	83093GT	117	104328GT	91, 109
72998GT	13, 23, 33, 43, 53, 63...	83131GT	117	104571GT	153
72999GT	13, 23, 33, 43, 53, 63...	84109GT	239	104762GT	211
73464GT	99	84421GT	217, 219	104763GT	211, 213, 239
73466GT	251, 253	84422GT	217, 219	104804GT	193
73717GT	143	84423GT	217, 219	105092GT	103, 121, 123, 131, 251, 253
73730GT	115	87002GT	235	105117GT	125
73733GT	115	87172GT	221, 225	105118GT	125
73734GT	143	87265GT	229	105214GT	167
74267GT	139	87320-SGT	193	105556GT	229
74389GT	93	87523GT	191	105557GT	229
74714GT	101	87568GT	191	105692GT	235
75041GT	117	87570GT	195	106121GT	101
75574GT	137	87571GT	195	106122GT	101
76502GT	133	87645GT	195	106123GT	101
76503GT	133	87648GT	137	106445GT	99
78674GT	113	87675GT	195	110556GT	93
78736GT	99, 169, 173, 181, 183	87684GT	99, 121	112070GT	169, 173, 179
79090GT	195	87755GT	141	112072GT	173, 179
79355GT	191, 193, 195	88827GT	117	112076GT	111, 113, 119, 181, 189
79374GT	229	89065GT	93	112083GT	187
79383GT	245, 247, 249	89066GT	93	112099GT	169, 177, 185
79452GT	127	94499GT	211, 213, 221, 225	112100GT	169, 177, 185
79831GT	241	96008-SGT	115	112106GT	183
81579GT	111	96009GT	117	112115GT	167, 177, 183
82160GT	13, 23, 33, 43, 53, 63...	96010GT	115	112116GT	167, 177, 183
82161GT	13, 23, 33, 43, 53, 63...	96203GT	121, 141, 177, 183	112121GT	167, 177, 183
82366GT	13, 23, 33, 43, 53, 63...	96236GT	201, 203, 205	112123GT	169, 173, 179
82473GT	21, 23, 41, 43, 61, 63	96320GT	101	112124GT	169, 173, 179
82474GT	21, 23, 41, 43, 61, 63...	96452GT	117	112125GT	179
82475GT	21, 23, 41, 43, 61, 63...	96699GT	231	112126GT	179
82476GT	21, 23, 41, 43, 61, 63	96905GT	169, 173, 181	112127GT	167
82481GT	21, 41, 61, 81	96977GT	103, 107, 109, 181, 177, 183...	112134GT	173, 179, 189
82487GT	23, 27, 29, 43, 47, 49...	97172GT	211, 213	112136GT	177, 183, 187



<u>Part no.</u>	<u>Page Number</u>	<u>Part no.</u>	<u>Page Number</u>	<u>Part no.</u>	<u>Page Number</u>
112177GT	177, 185	131416GT	191	137770GT	133
112210GT	177, 183	131428GT	241	144161GT	125, 201, 203, 205
112229GT	167	131602GT	93	147090GT	143
112350GT	169, 177, 185	131616GT	91	147419GT	223, 227
112375GT	167, 177, 183	131621GT	215	148000GT	235
112476GT	99, 191, 193, 195	131639GT	101	148001GT	235
112512GT	101	131640GT	101	148024GT	235
112537GT	241	131658GT	113	148027GT	235
112543GT	193	131681GT	259	148044GT	235
112572GT	101	131687GT	173	148046GT	233
112703GT	187, 189	131695GT	99	148076GT	153, 229
112708GT	171, 173, 179, 181, 189	131735GT	197	148086GT	153
112772GT	139, 201, 203, 205	131741GT	195	148090GT	155, 157
114202GT	11, 13, 21, 23, 31, 33...	131742GT	197	148091GT	155, 157
114251GT	21, 41, 61, 81	131743GT	195	148092GT	153
114258GT	11, 31, 51, 71	131744GT	191	148236GT	101, 169, 177, 185
114334GT	23, 43, 63, 83	131745GT	191	148271GT	105, 107, 109
114337GT	21, 41, 61, 81	131746GT	193	148277GT	105, 107
114338GT	27, 29, 47, 49, 67, 69...	131747GT	193	148292GT	105, 107, 109
114371GT	27, 29, 47, 49, 67, 69...	131749GT	191, 195	148307GT	109
114385GT	11, 13, 31, 33, 51, 53	131751GT	195	148317GT	167, 177, 185
114386GT	13, 17, 19, 33, 37, 39...	131755GT	99	148329GT	233
115402GT	215	131874GT	167	148353GT	91
119620GT	217, 219	131899GT	167	148396GT	93
119827GT	217, 219	131903GT	169	148400GT	97
119910GT	95	131920GT	217, 219	148403GT	105, 107, 109
121421GT	161	131921GT	217, 219	148409GT	233
122994GT	117	131972GT	235	148410GT	233
123643GT	163	133148GT	13, 33, 53, 73	148414GT	153, 157
124133GT	143	133149GT	23, 43, 63, 83	148422GT	199
124449GT	113	133537GT	27, 29, 47, 49, 67, 69	148433GT	167, 173, 179
124576GT	127, 129, 135	137562GT	117	148434GT	171, 173, 179
124580GT	115	137605GT	17, 19, 27, 29, 37, 39...	148450GT	189
128009GT	123	137611GT	207	160536GT	121
128085GT	215	137634GT	209	160739GT	233
128142GT	215	137637GT	117, 207	160740GT	233
128200GT	115, 117	137640GT	207	160744GT	233
128578GT	115, 117	137656GT	17, 19, 27, 29, 37, 39...	160910GT	131
128580GT	115, 117	137668GT	117	160912GT	129
130561GT	141	137692GT	117	160913GT	161
131372GT	135	137699GT	207	160915GT	129
131393GT	221, 225	137769GT	133	160916GT	137

<u>Part no.</u>	<u>Page Number</u>	<u>Part no.</u>	<u>Page Number</u>	<u>Part no.</u>	<u>Page Number</u>
160918GT	131	219705GT	129	229087GT	209
161984GT	163	219949GT	161	229088GT	209
162001GT	161	219973GT	153	229089GT	209
162007GT	137	220153GT	111	229090GT	209
162062GT	161	220237GT	111	229091GT	209
162468GT	165	226378GT	217, 219	229092GT	209
214212GT	109	226379GT	217, 219	229093GT	209
214222GT	123	226380GT	215	229094GT	209
214542GT	115, 143	226381GT	241	229097GT	209
214544GT	209	227466GT	221, 225	229167GT	91
214817GT	219	227467GT	221, 225	229430GT	19
215214GT	221, 225	227468GT	221, 225	229431GT	39
215215GT	223, 227	227469GT	221, 225	229432GT	59
215229GT	113	227471GT	221, 225	229827GT	11, 31, 51, 71
215379GT	139	227472GT	221, 225	229828GT	81
215488GT	129	227473GT	223, 227	229845GT	207
215914GT	121	227474GT	223, 227	230485GT	123
215915GT	121	227487GT	243	230488GT	121
216031GT	77, 87	227489GT	243	230489GT	29
218091GT	117	227490GT	243	230490GT	49
218245GT	153	227609GT	221, 225	230491GT	69
218616GT	211, 213	227610GT	221, 225	230492GT	27
218617GT	211, 213	227611GT	221, 225	230493GT	47
218730GT	211, 213	227612GT	221, 225	230494GT	67
218732GT	211, 213	227613GT	221, 225	230804GT	11, 13, 31, 33, 51, 53
218733GT	211, 213	227713GT	251	230805GT	29
218734GT	211, 213	227714GT	251	230806GT	49
218735GT	211, 213	227715GT	251	230807GT	69
219058GT	125	227716GT	251	230809GT	27
219112GT	147	227717GT	253	230810GT	47
219205GT	155	227724GT	243	230811GT	67
219206GT	93	227726GT	243	230850GT	113
219210GT	197	227728GT	243	230858GT	217, 219
219279GT	93	227730GT	243	230861GT	211
219356GT	93	227732GT	243	231650GT	91
219551GT	131	227735GT	243	231921GT	207
219552GT	131	227738GT	243	231922GT	207
219553GT	131	227740GT	243	232523GT	99
219633GT	131	227742GT	243	232536GT	109
219634GT	131	227768GT	251	232537GT	105, 109
219637GT	161	228103GT	181	232549GT	113
219639GT	129	229086GT	209	232852GT	95



<u>Part no.</u>	<u>Page Number</u>	<u>Part no.</u>	<u>Page Number</u>	<u>Part no.</u>	<u>Page Number</u>
233568GT	123	237932GT	223, 227	824267GT	15, 23, 35, 43, 55, 63
233767GT	93	238256GT	221, 225	824268GT	11, 31, 51, 71
234599GT	211, 213	238299GT	93	824269GT	11, 31, 51, 71
234600GT	211, 213	238364GT	149	824270GT	11, 31, 51, 71
234830GT	153	238371GT	151	824271GT	21, 41, 61, 81
234831GT	153	238372GT	149	824632GT	131
234833GT	153	238374GT	149	824657GT	161
234834GT	153, 157	238375GT	151	824666GT	135
234837GT	153, 157	238382GT	121	824954GT	129
234999GT	239	238383GT	121	824955GT	129
235089GT	235	822408GT	165	825020GT	93, 129
235091GT	235	822624GT	129	825199GT	131, 161
235122GT	183	822630GT	131	825200GT	129
235375GT	91	822648GT	137	825424GT	137
235377GT	101	822649GT	161	825426GT	135
235380GT	119	822651GT	163	825427GT	137
235381GT	115	822652GT	163	825435GT	165
235383GT	119	822663GT	137	825475GT	135
235397GT	113	822911GT	141	825476GT	135
235399GT	153, 157	822912GT	139	825477GT	135
235463GT	209	822914GT	143	825491GT	163
235464GT	207	822956GT	149, 153	825546GT	129
235662GT	93	823041GT	255	825547GT	129
235663GT	93	823042GT	255	825555GT	137
235719GT	125	823043GT	255	825676GT	135
236021GT	123	823044GT	255	825715GT	131
236066GT	153, 157	823045GT	255	825741GT	135
236067GT	153, 157	823046GT	255	825742GT	135
236068GT	153, 157	823398GT	129	826006GT	135
236802GT	125	823400GT	135	826033GT	17, 19, 27, 29, 77, 87
236813GT	91	823654GT	147	826034GT	37, 39, 47, 49, 77, 87
237116GT	17, 19, 37, 39, 57, 59	823726GT	131	826035GT	57, 59, 67, 69, 77, 87
237130GT	11, 13, 31, 33, 51, 53	823738GT	147	826036GT	15, 35, 55, 73
237254GT	93	823739GT	147	826038GT	77, 87
237289GT	207	823741GT	147	826039GT	77, 87
237340GT	91, 101	824027GT	231	826442GT	165
237476GT	153, 157	824078GT	259	826443GT	165
237618GT	117	824149GT	163	826444GT	127
237773GT	91	824263GT	11, 13, 21, 23, 71, 73...	826445GT	137
237797GT	211, 213, 221, 225	824264GT	31, 33, 41, 43, 71, 73...	826448GT	161
237925GT	21, 41, 81	824265GT	51, 53, 61, 63, 71, 73...	826450GT	135
237931GT	223, 227	824266GT	11, 13, 21, 23, 31, 33...	826516GT	235

<u>Part no.</u>	<u>Page Number</u>	<u>Part no.</u>	<u>Page Number</u>	<u>Part no.</u>	<u>Page Number</u>
826538GT	127	1253837GT	145	1255467GT	165
826569GT	15, 35, 55, 73	1253838GT	139	1255534GT	21, 41, 61, 81
826575GT	165	1253902GT	105, 109	1255557GT	27, 29, 47, 49, 67, 69
826708GT	127	1253910GT	141	1255787GT	149
826709GT	143	1253927GT	11, 15, 21, 25, 31, 35...	1255856GT	149
826854GT	139	1254064GT	141	1255861GT	141
826869GT	149	1254065GT	141	1255862GT	141
826870GT	149	1254066GT	139	1255883GT	161
826888GT	149	1254067GT	141	1255884GT	161
826889GT	149	1254068GT	243	1255885GT	161
826890GT	149	1254069GT	243	1256047GT	125
826891GT	149	1254192GT	169, 175, 181	1256049GT	125, 149
826892GT	149	1254245GT	99, 169, 173, 181, 183	1256085GT	149
826893GT	149	1254346GT	141	1256086GT	149
826894GT	149	1254347GT	141	1256087GT	149
826927GT	149	1254379GT	143	1256088GT	151
826928GT	149	1254428GT	147	1256089GT	151
826930GT	11, 31, 71	1254430GT	125	1256090GT	151
826993GT	149	1254431GT	91	1256216GT	141
1251512GT	137	1254432GT	95	1256267GT	167, 177, 183
1251513GT	131	1254433GT	95	1256309GT	141
1251517GT	131	1254434GT	93	1256324GT	133
1251526GT	149	1254449GT	121	1256463GT	231
1251527GT	149	1254572GT	231	1256656GT	207
1251560GT	141	1254591GT	115	1256658GT	207
1252753GT	135	1254597GT	151	1256712GT	17, 19, 27, 29, 37, 39...
1252754GT	137	1254598GT	151	1256714GT	17, 19, 27, 29, 37, 39...
1252755GT	129	1254615GT	139	1256721GT	119
1252770GT	129	1254616GT	143	1256722GT	119
1252791GT	133	1254640GT	149	1256725GT	207
1253215GT	137	1254820GT	141	1256726GT	207
1253216GT	163	1254912GT	141	1256731GT	207
1253349GT	147	1254914GT	151, 155, 159	1256732GT	207
1253422GT	147	1254915GT	151, 155, 159	1256830GT	21, 41, 61, 81
1253423GT	147	1255016GT	141	1256850GT	259
1253424GT	147	1255265GT	151	1257080GT	211, 213
1253426GT	121	1255452GT	93, 97, 101	1257202GT	149
1253458GT	133	1255462GT	165	1257217GT	151, 155, 159
1253468GT	147	1255463GT	165	1257242GT	17, 37, 57
1253477GT	139	1255464GT	165	1257251GT	11, 31, 51
1253479GT	147	1255465GT	165	1257397GT	19, 39, 59
1253603GT	163	1255466GT	165	1257720GT	161

<u>Part no.</u>	<u>Page Number</u>	<u>Part no.</u>	<u>Page Number</u>	<u>Part no.</u>	<u>Page Number</u>
1257833GT	135	1272486GT	125	1289522GT	257
1257923GT	17, 19, 27, 29, 37, 39...	1272489GT	115	1289523GT	257
1258010GT	143	1272490GT	119	1289561GT	113, 257
1258101GT	137	1272900GT	213	1289762GT	259
1258104GT	17, 19, 37, 39, 57, 59	1273392GT	153, 157, 231	1289877GT	235
1258134GT	163	1273704GT	213	1289888GT	235
1258135GT	163	1274172GT	259	1289899GT	155, 157, 257
1258136GT	163	1274322GT	259	1291595GT	155, 159
1258397GT	149	1274950GT	223, 227	1291624GT	75, 85
1258628GT	99	1275154GT	213	1292512GT	75, 85
1258629GT	99	1275562GT	237	1292513GT	75, 85
1258632GT	91	1275810GT	235	1292514GT	75, 85
1258633GT	91	1277226GT	117	1292515GT	75, 85
1258731GT	155, 207	1277924GT	259	1292837GT	155, 157
1258753GT	99	1277998GT	29	1293166GT	77, 87
1258754GT	99	1277999GT	49	1293217GT	81, 85
1258759GT	91	1278000GT	69	1293225GT	141
1258760GT	91	1279465GT	121	1293226GT	139
1259176GT	129	1279466GT	121	1293227GT	143
1259447GT	153, 155, 157	1280156GT	241	1293228GT	139
1259448GT	153, 157	1280665GT	125, 201, 203, 205	1293229GT	139
1259498GT	155, 217	1280819GT	73, 85	1293230GT	143
1259499GT	155	1280820GT	75, 85	1293231GT	141
1259500GT	237	1281174GT	77, 87	1293266GT	157, 169, 173, 179
1259991GT	155, 219	1281175GT	77, 87	1293267GT	217, 219
1261085GT	219	1282278GT	119	1293512GT	257
1263542GT	23, 43, 63, 81, 83	1283079GT	77, 87	1294153GT	155, 157
1263543GT	71, 73	1283121GT	101	1294247GT	169, 175, 179
1264822GT	153, 157	1286600GT	99	1294398GT	75
1264834GT	153, 157	1286601GT	101	1294688GT	77, 87
1265331GT	217, 219	1288047GT	169, 175, 179	1294707GT	71
1265367GT	217, 219	1288048GT	169, 175, 179	1295180GT	139
1266112GT	153	1288162GT	169, 173, 179	1295339GT	169, 173, 179
1266153GT	115	1288205GT	259	1295340GT	169, 173, 179
1266273GT	153	1288239GT	259	1295341GT	169, 173, 179
1266712GT	11, 31, 51, 71	1288627GT	259	1295450GT	75, 85
1267469GT	231	1288628GT	259	1295451GT	115
1272122GT	115, 141	1288629GT	259	1295454GT	119
1272123GT	115, 139	1288967GT	235	1295542GT	123
1272242GT	25, 45, 65	1289021GT	147	1295970GT	257
1272484GT	113	1289520GT	113, 257	1296053GT	139
1272485GT	113	1289521GT	113, 257	1298079GT	157

<u>Part no.</u>	<u>Page Number</u>	<u>Part no.</u>	<u>Page Number</u>	<u>Part no.</u>	<u>Page Number</u>
1298080GT	157	T107969GT	99		
1299198GT	77, 87	T107978GT	99		
1299199GT	77, 87	T108039GT	199		
1299200GT	77, 87	T108074GT	199		
1299201GT	77, 87	T108137GT	169, 173, 179		
1299202GT	77, 87	T108138GT	167, 173, 179		
1299203GT	77, 87	T108139GT	101, 109, 113, 115, 179, 181		
1299263GT	71, 75	T109734GT	171, 175, 185		
1299285GT	79, 89	T109739GT	99		
1299286GT	79, 89	T109744GT	99		
1299287GT	79, 89	T109745GT	99		
1299365GT	139	T112457GT	135		
1299448GT	157	T112560GT	201, 203, 205		
1299497GT	157	T112563GT	201, 203, 205		
1299634GT	93	T113139GT	121		
1299650GT	157	T113787GT	123		
1299670GT	157	T114353GT	253		
1299674GT	149, 157	T114354GT	253		
1300066GT	161	T114356GT	253		
1301002GT	157	T114357GT	253		
1301003GT	157	T114358GT	253		
1301216GT	75, 85	T114634GT	153		
1302043GT	123	T114638GT	17, 19		
1302876GT	75, 79, 85, 89	T114639GT	37, 39		
1306804GT	71	T114640GT	57, 59		
1306805GT	71	T114641GT	17		
1306806GT	77	T114642GT	37		
1306807GT	77	T114643GT	57		
1306808GT	81	T114860GT	109		
1306809GT	81	T115515GT	105, 109		
1306810GT	87				
1306811GT	87				
T106362GT	119				
T106363GT	119				
T106366GT	117				
T106370GT	207				
T106371GT	119				
T106372GT	119				
T106373GT	207				
T106782GT	113				
T106793GT	113				
T107936GT	99				



California Proposition 65

 **WARNING**

Operating, servicing and maintaining this equipment, passenger vehicle or off-highway motor vehicle can expose you to chemicals including engine exhaust, carbon monoxide, phthalates, and lead, which are known to the State of California to cause cancer and birth defects or other reproductive harm. These chemicals can be emitted from or contained in other various parts and systems, fluids and some component wear by-products. To minimize exposure, avoid breathing exhaust, do not idle the engine except as necessary, service your equipment and vehicle in a well-ventilated area and wear gloves or wash your hands frequently when servicing your equipment or vehicle and after operation. For more information go to www.P65Warnings.ca.gov/passenger-vehicle.

Breathing diesel engine exhaust exposes you to chemicals known to the State of California to cause cancer and birth defects or other reproductive harm.

- Always start and operate the engine in a well-ventilated area.
- If in an enclosed area, vent the exhaust to the outside.
- Do not modify or tamper with the exhaust system.
- Do not idle the engine except as necessary.

For more information go to www.P65warnings.ca.gov/diesel.

www.genielift.com

Distributed By: