

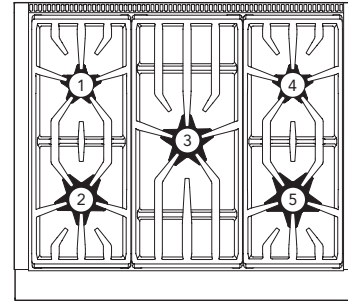
PRD305WHU

30-INCH DUAL-FUEL PRO HARMONY® RANGE

PROFESSIONAL SERIES, STANDARD-DEPTH, PORCELAIN COOKTOP SURFACE



RANGETOP



Total number of cooktop Burners	5
1 – Power of Back Left Burner BTU	8,000 and XLO
2 – Power of Front Left Burner BTU	18,000 and XLO
3 – Power of Center Burner BTU	10,000
4 – Power of Back Right Burner BTU	8,000
5 – Power of Front Right Burner BTU	15,000

OVEN

Oven Capacity	4.4 cu. ft.
Cooking Modes	
Bake, Convection Bake, Extended Bake, True Convection, Convection Roast, Roast, Convection Broil, Broil	
Sabbath	Yes (as Extended Bake – Knob Control)
Self Clean	Yes
Telescopic Rack(s)	1
Interior Lights	2
Bake Power	2,000 W
Broil Power	4,000 W
Convection Power	2,750 W
Home Connect™ (Wi-Fi Enabled)	No
Cavity Interior Dimensions (HxWxD)	16 1/4" x 25" x 18 5/8"
Cavity Usable Dimensions (HxWxD)	12" x 22 3/8" x 16 5/8"

DIMENSIONS & WEIGHT

Overall Appliance Dimensions (HxWxD)	35 3/4" – 36 3/4" x 29 15/16" x 24 5/8"
Required Cutout Size (HxWxD)	35 3/4" – 36 3/4" x 30" x 24"
Net Weight	368 lbs.

FEATURES & BENEFITS

- ★ - The Star® Burner delivers superior flame spread for more even heating
- ★ - ExtraLow® feature provides a wide range of temperature control, perfect for simmering delicate sauces
- ★ - 2 ExtraLow® burners for simmering, melting, or holding long durations
- ★ - Superfast 2-hour self-clean mode—fastest in the industry
 - Powerful third element convection technology

TECHNICAL DETAILS

Circuit Breaker	30 A
Volts	240 / 208 V, 60Hz 4 Wire
Energy Source	Gas and Electric
Plug Type USA	No Plug
Power Cord Length	Purchase Separately
Gas Supply	3/4"

WARRANTY

Limited Warranty, Entire Appliance, Parts and Labor	2 Year
---	--------

SEE PAGE 2 FOR INCLUDED AND OPTIONAL ACCESSORIES

PRD305WHU

30-INCH DUAL-FUEL PRO HARMONY® RANGE

PROFESSIONAL SERIES, STANDARD-DEPTH, PORCELAIN COOKTOP SURFACE



ACCESSORIES (INCLUDED)

1 Telescopic Rack, 2 Standard Racks, 1 Lg. Broil Pan, Island Trim

ACCESSORIES (OPTIONAL)



PWOKRINGHC
Wok Ring



PAGRIDDLE
Professional Griddle, Sits on Top of Grates Over 2 Star Burners, High-Release Coating



PARKB30HY
Metallic Blue Knob Kit



PA12CHPBLK
Chopping Block / Cutting Board



PA30WLBH
Pro Harmony 7" Low Backguard*



PALPKITHW5
LP Conversion Kit, Pro Harmony Dual-Fuel Model PRD305WH Only (5 Burners)

PAALTKITHW

High Altitude Kit, Natural Gas Pro Harmony Ranges, 5,400 ft. to 10,200 ft.

[Contact Customer Support](#)

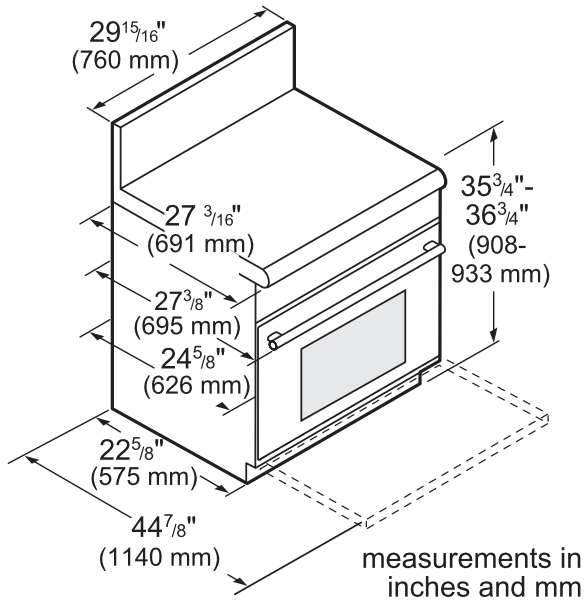
High Altitude Kit, Gas or Dual-Fuel Pro Harmony Ranges Connected to LP Gas, 10,000 ft. to 10,200 ft.

*Models PCG305xx, PRD305xx, PRD606xx, PRG305xx, PRG304xx and PRD304xx are suitable for 0" rear clearance to combustible surfaces. All other models: when using the included Island Trim a minimum 6" (152 mm) rear clearance is required to a combustible surface. When installing against a combustible surface, a Thermador® Low Backguard is required for a 0" rear clearance to the combustible surface. A Thermador Low Backguard must be purchased separately. A rear clearance to a surface covered in a noncombustible material (metal, ceramic tile, brick, marble, or stone) is 0" when using the included Island Trim. Clearances of less than 6" (152 mm) should be approved by the local codes and/or by the local authority having jurisdiction. Clearances from non-combustible materials are not part of the ANSI Z21.1 scope and are not certified by CSA.

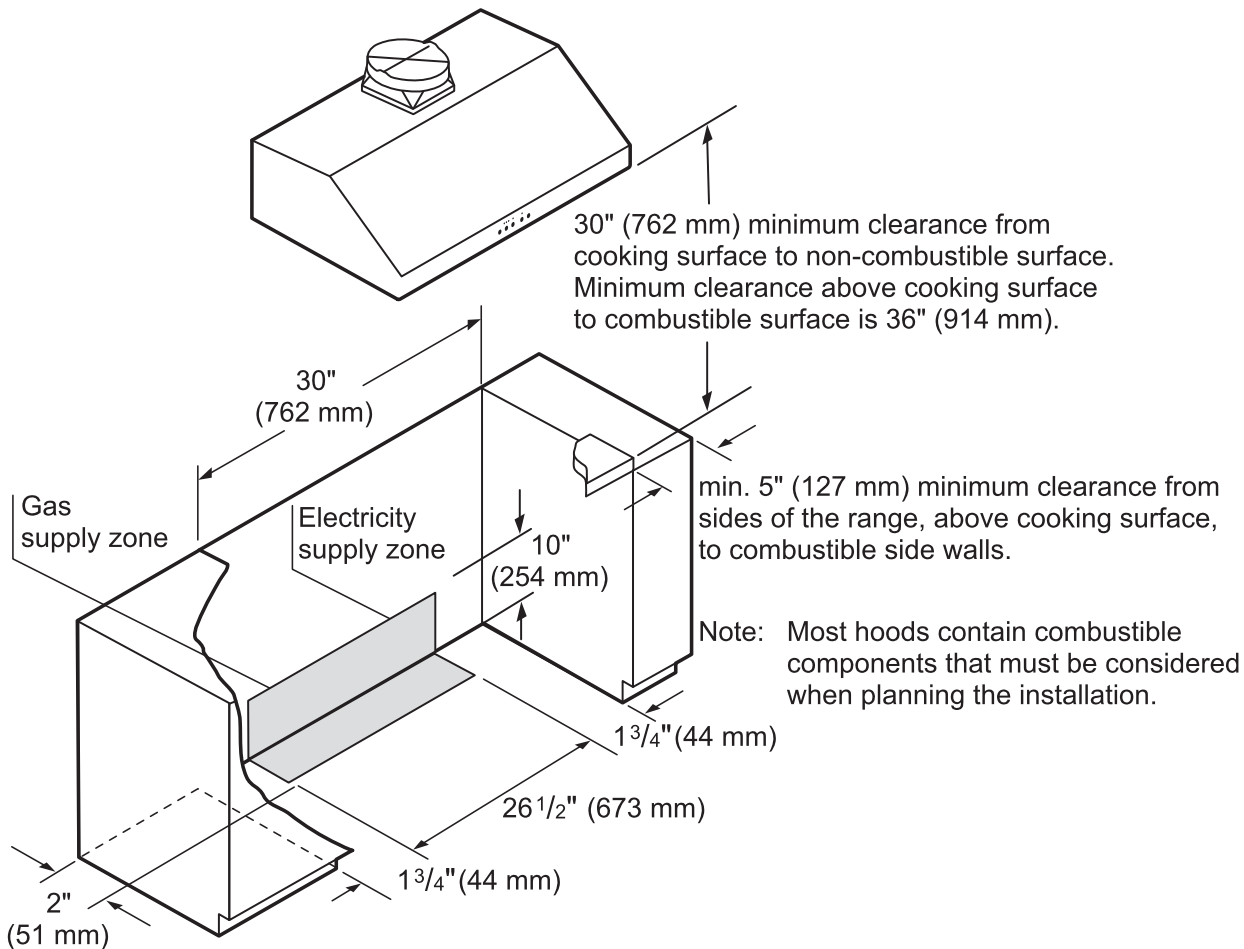
PRD305WHU
30-INCH DUAL-FUEL PRO HARMONY® RANGE
 PROFESSIONAL SERIES, STANDARD-DEPTH, PORCELAIN COOKTOP SURFACE



30-INCH RANGE DIMENSIONS



30-INCH RANGE CUTOUT DIMENSIONS



PRD305WHU
30-INCH DUAL-FUEL PRO HARMONY® RANGE
 PROFESSIONAL SERIES, STANDARD-DEPTH, PORCELAIN COOKTOP SURFACE



30-INCH RANGE CABINET CLEARANCES WITH HOOD

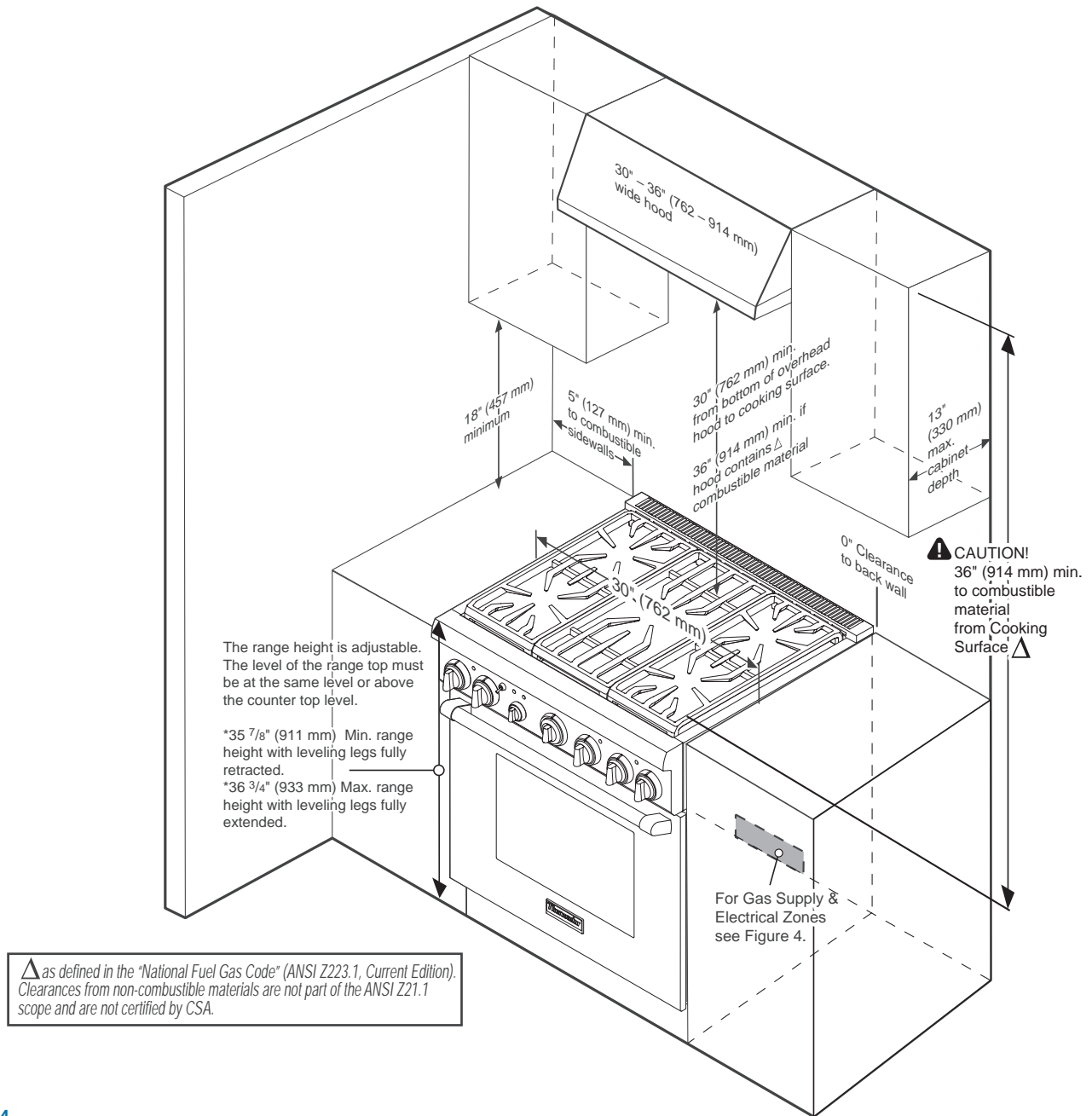
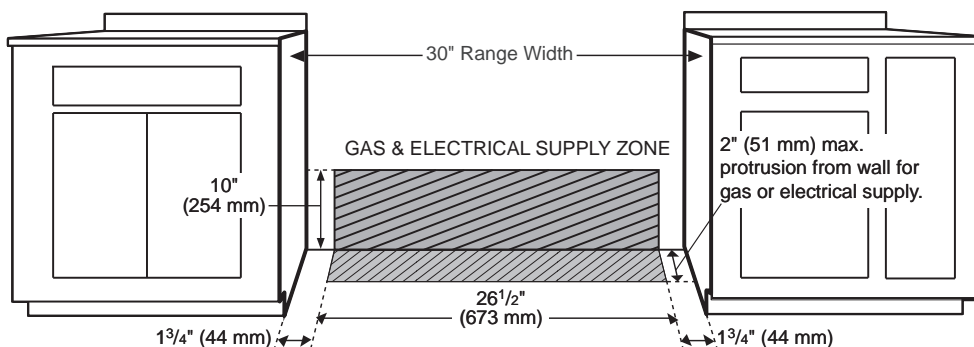


FIGURE 4



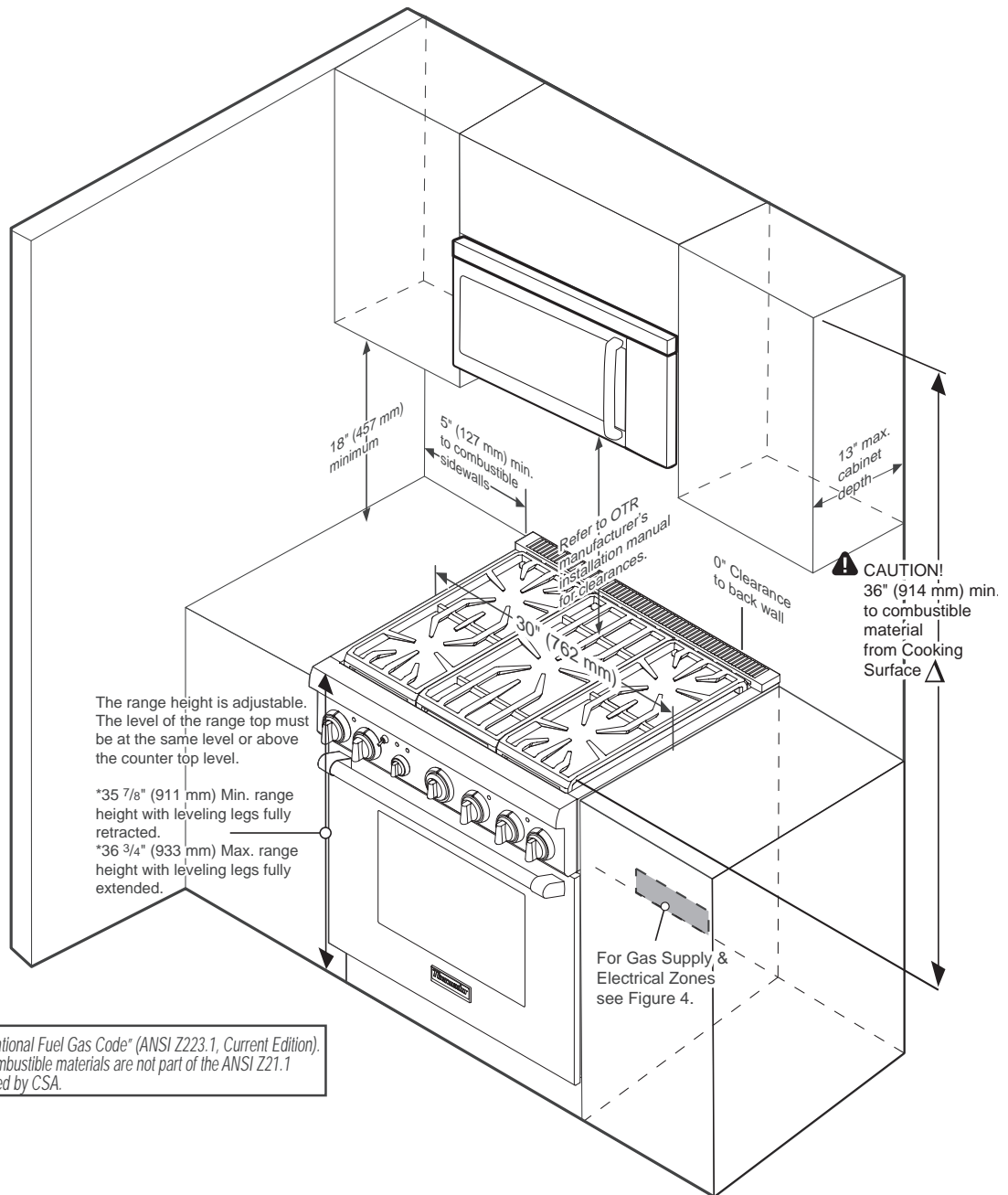
PRD305WHU

30-INCH DUAL-FUEL PRO HARMONY® RANGE

PROFESSIONAL SERIES, STANDARD-DEPTH, PORCELAIN COOKTOP SURFACE

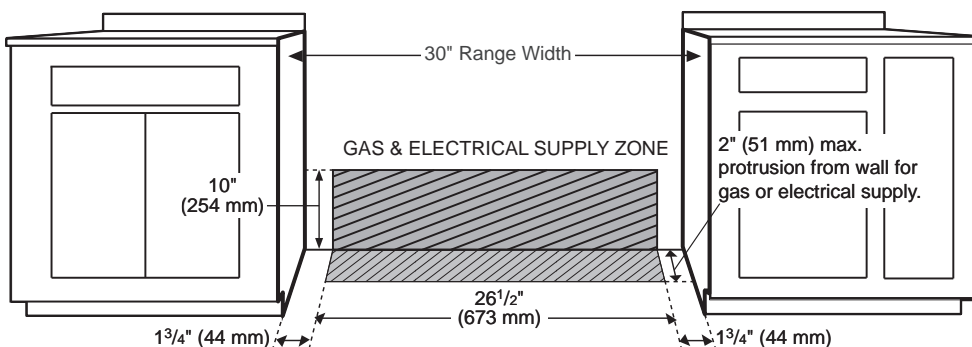


30-INCH RANGE CABINET CLEARANCES WITH OVER-THE-RANGE MICROWAVE



△ as defined in the "National Fuel Gas Code" (ANSI Z223.1, Current Edition). Clearances from non-combustible materials are not part of the ANSI Z21.1 scope and are not certified by CSA.

FIGURE 4



PRD305WHU

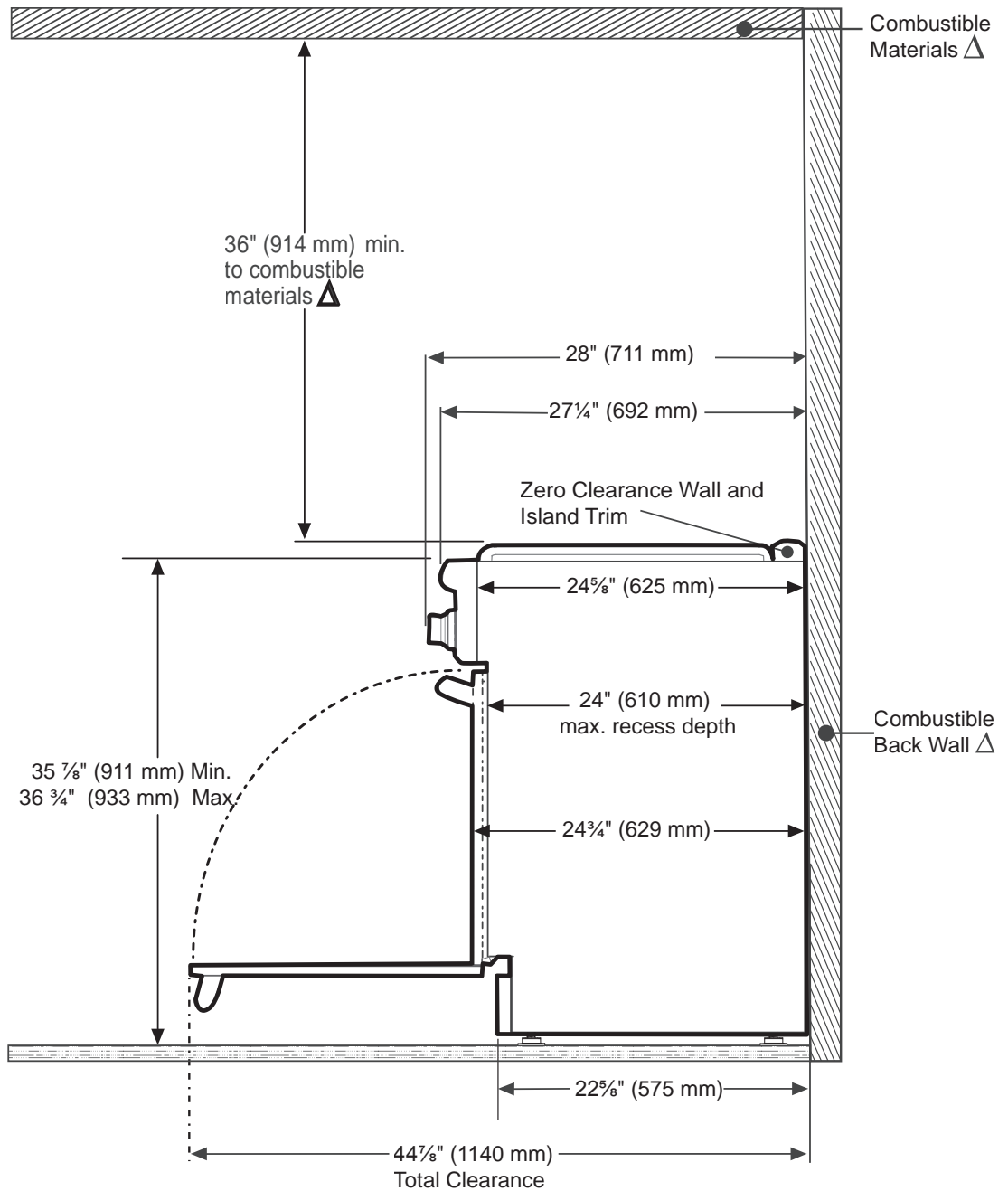
30-INCH DUAL-FUEL PRO HARMONY® RANGE

PROFESSIONAL SERIES, STANDARD-DEPTH, PORCELAIN COOKTOP SURFACE



30-INCH RANGE DIMENSIONS AND SIDE CLEARANCE REQUIREMENTS

NOTE: A 36-inch minimum clearance is required between the top of the cooking surface and the bottom of an unprotected cabinet. A 30-inch clearance can be used when the bottom of the wood or metal cabinet is protected by not less than 1/4 inch of a flame retardant material covered with not less than No. 28 MSG sheet steel, 0.015 inch (0.4 mm) thick stainless steel, 0.024 inch (0.6 mm) aluminum, or 0.020 inch (0.5 mm) thick copper.



Δ as defined in the "National Fuel Gas Code" (ANSI Z223.1, Current Edition). Clearances from non-combustible materials are not part of the ANSI Z21.1 scope and are not certified by CSA.

These warranties give you specific legal rights and you may have other rights that vary from state to state. Full warranty and limited warranty from date of installation. For complete warranty details, refer to your Use & Care manual, or ask your dealer.

Specifications are for planning purposes only. Refer to installation instructions and consult your countertop supplier prior to making counter opening. Consult with a heating and ventilation engineer for your specific ventilation requirements. For the most detailed information, refer to installation instructions accompanying product or write to Thermador indicating the model number. Specifications are correct at time of printing. Thermador reserves the right to change product specifications or design without notice. Some models are certified for use in Canada. Thermador is not responsible for products that are transported from the U.S. for use in Canada.