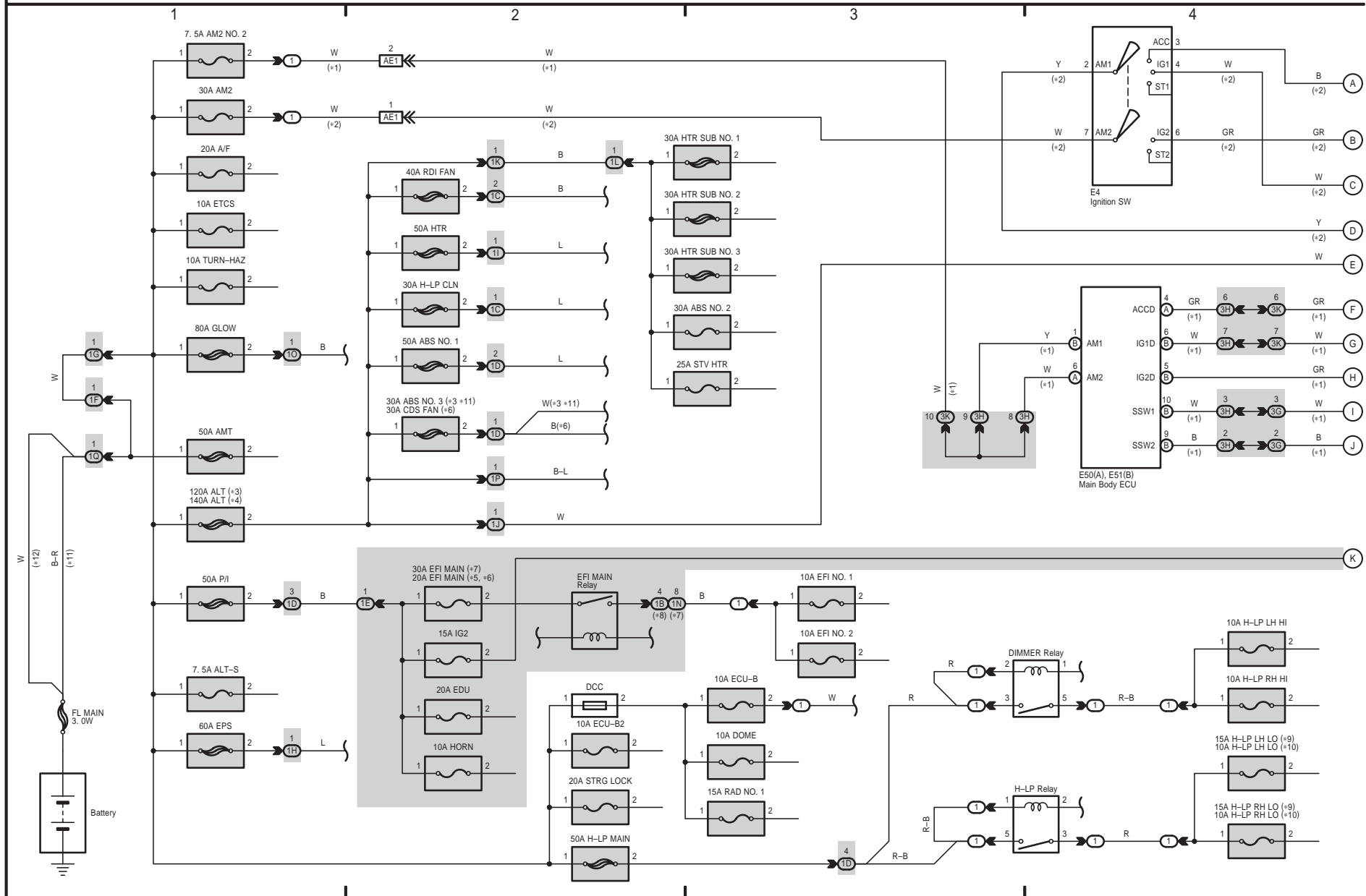


Power Source

- * 1 : w/ Entry & Start System
- * 2 : w/o Entry & Start System
- * 3 : Gasoline
- * 4 : Diesel

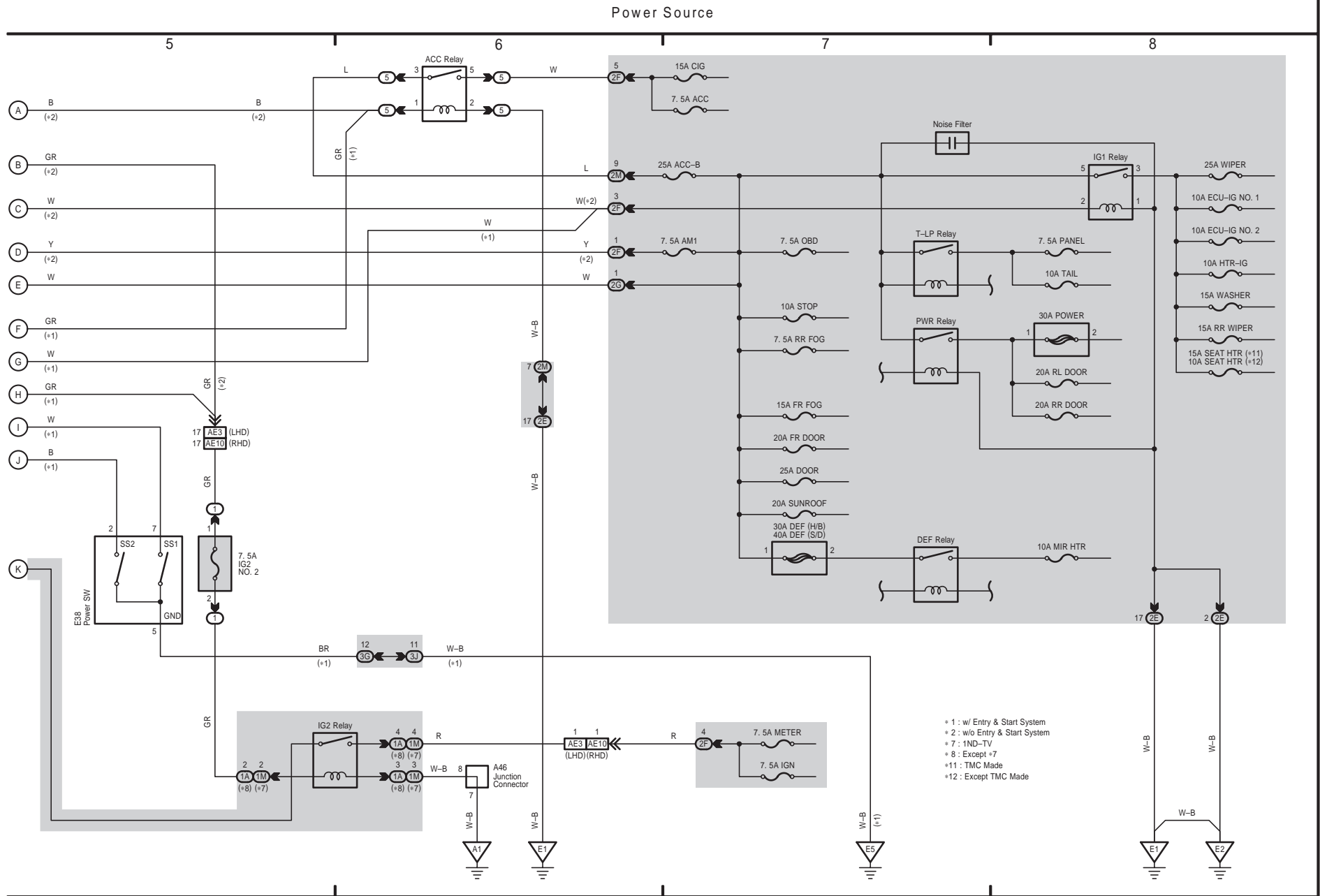
- * 5 : 1ZR-FE, 2ZR-FE, 4ZZ-FE
- * 6 : 1AD-FTV, 2AD-FHV
- * 7 : 1ND-TV
- * 8 : Except *7

- * 9 : HID Type
- * 10 : Except HID Type
- * 11 : TMC Made
- * 12 : Except TMC Made

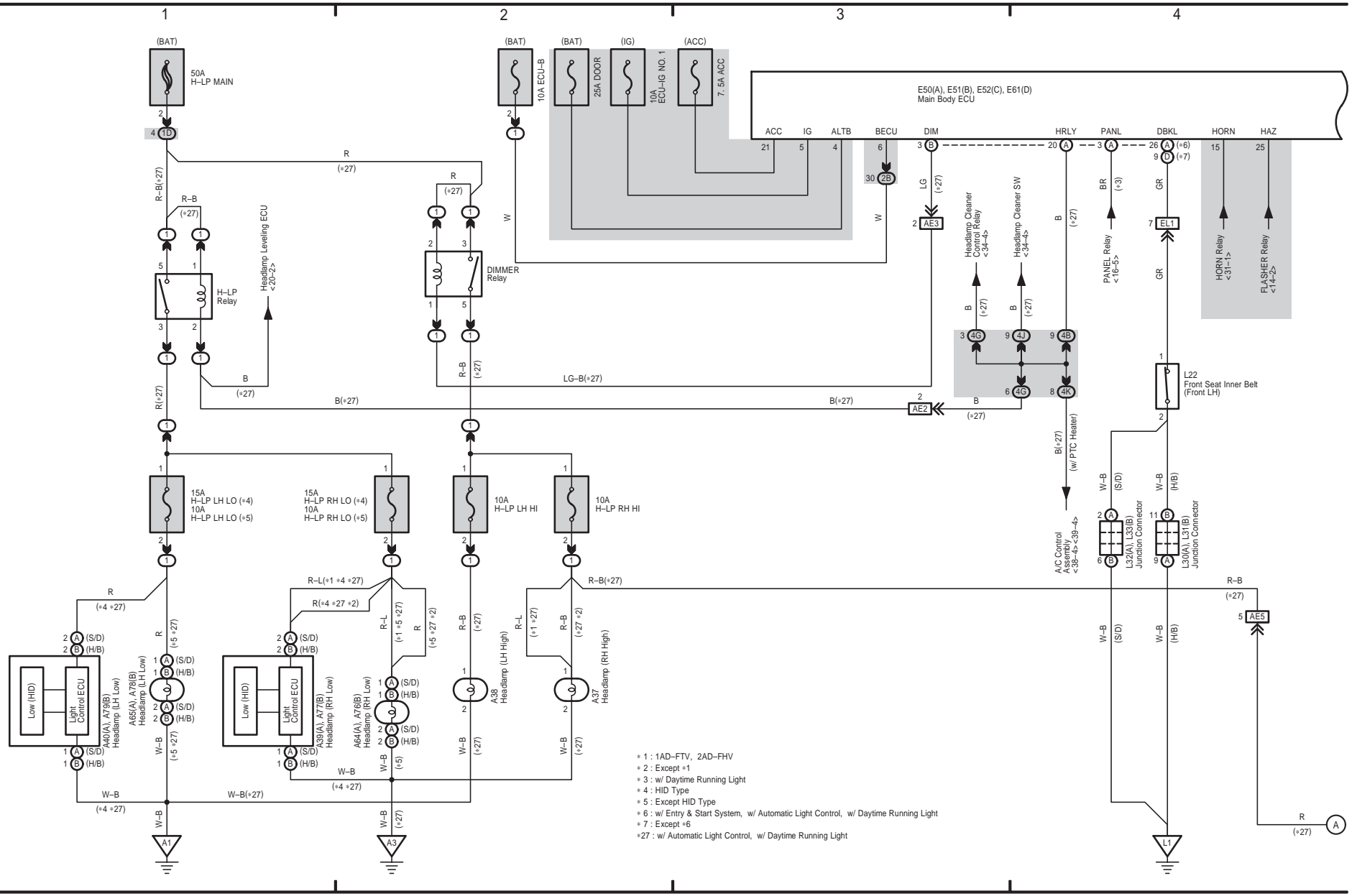


1 COROLLA / AURIS (Cont' d)

COROLLA / AURIS (EM04F1E)

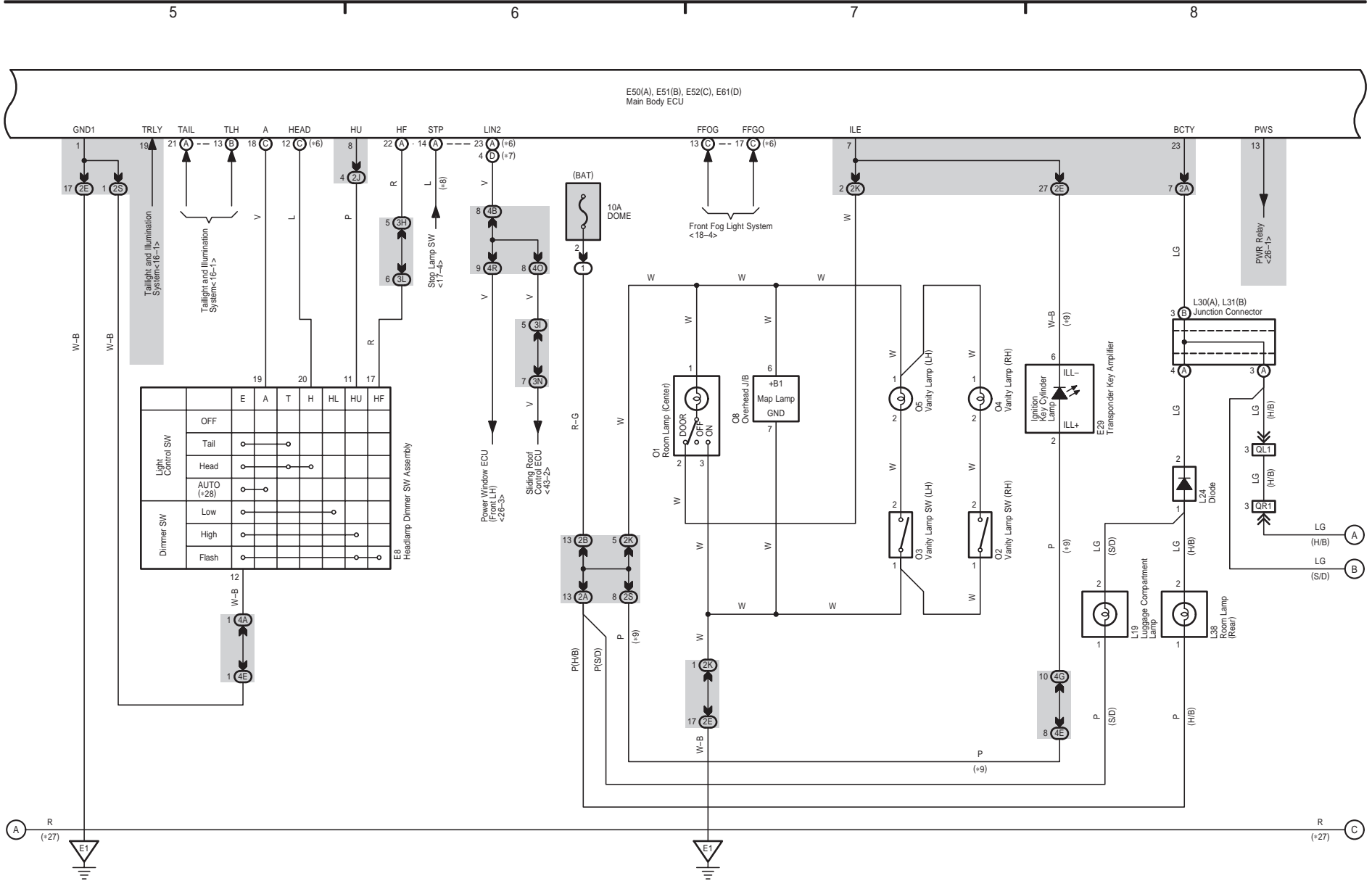


Multiplex Communication System (CAN LHD)



Multiplex Communication System (CAN LHD)

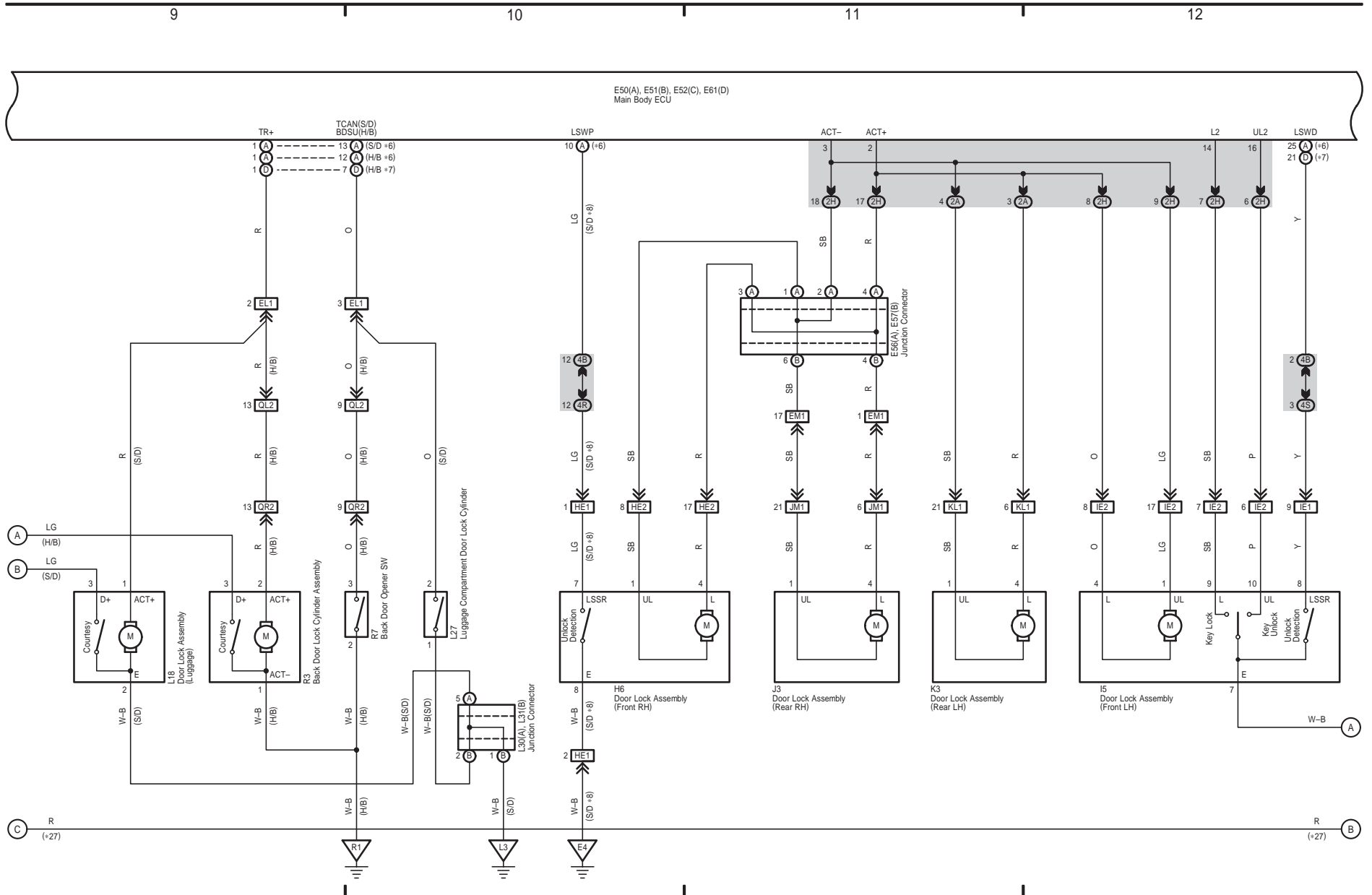
- * 6 : w/ Entry & Start System, w/ Automatic Light Control, w/ Daytime Running Light
- * 7 : Except *6
- * 8 : w/ Entry & Start System
- * 9 : w/o Entry & Start System
- * 27 : w/ Automatic Light Control,
- * 28 : w/ Automatic Light Control



COROLLA / AURIS (EM04F1E)

Multiplex Communication System (CAN LHD)

- * 6 : w/ Entry & Start System, w/ Automatic Light Control, w/ Daytime Running Light
- * 7 : Except *6
- * 8 : w/ Entry & Start System
- *27 : w/ Automatic Light Control, w/ Daytime Running Light



Multiplex Communication System (CAN LHD)

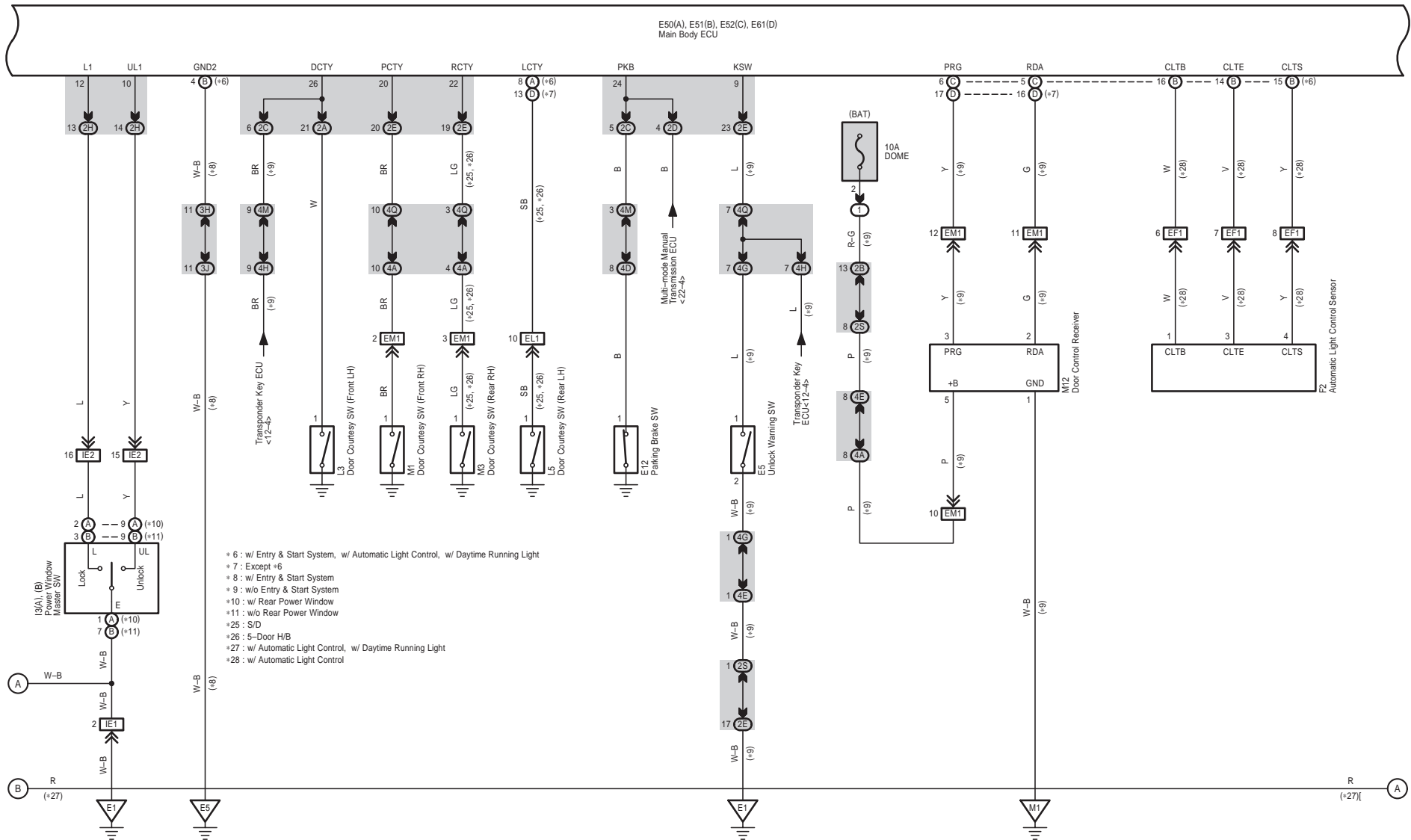
13

14

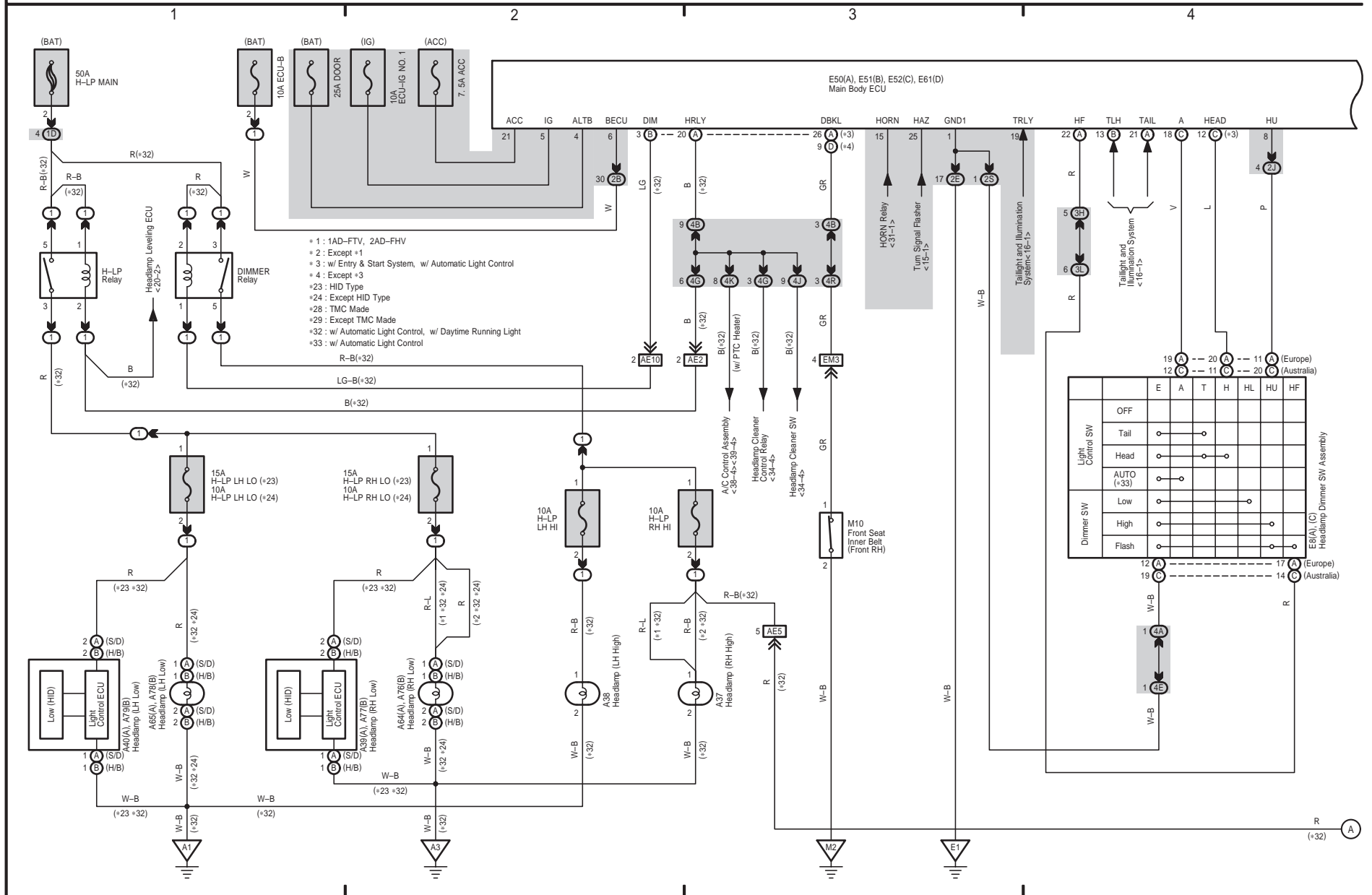
15

16

COROLLA / AURIS (EM04F1E)



Multiplex Communication System (CAN RHD)



Multiplex Communication System (CAN RHD)

- * 9 : w/ Double Locking
- * 10 : w/o Double Locking
- * 22 : w/ Theft Deterrent System
- * 32 : w/ Automatic Light Control, w/ Daytime Running Light

13

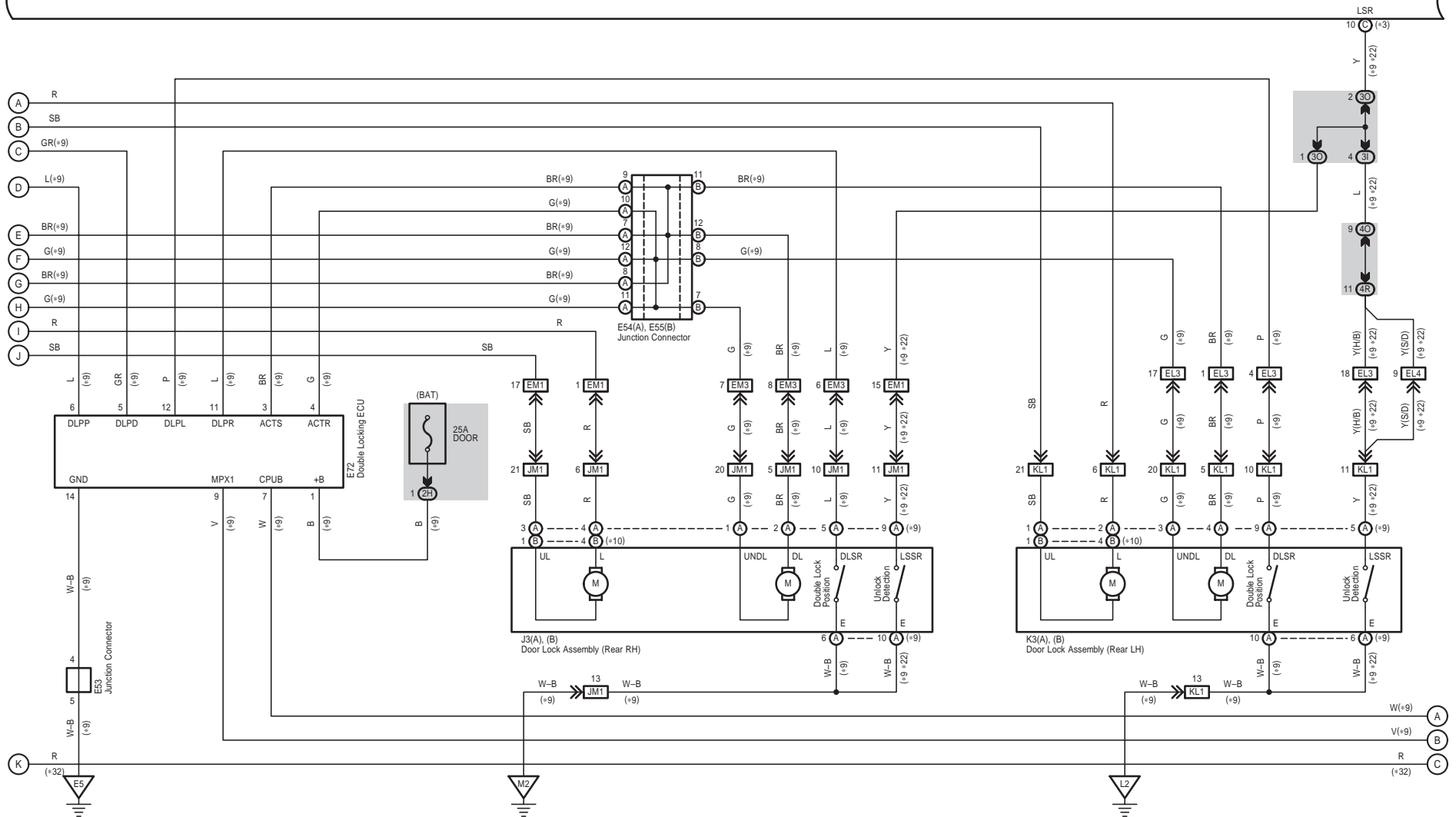
14

15

16

E50(A), E51(B), E52(C), E61(D)
Main Body ECU

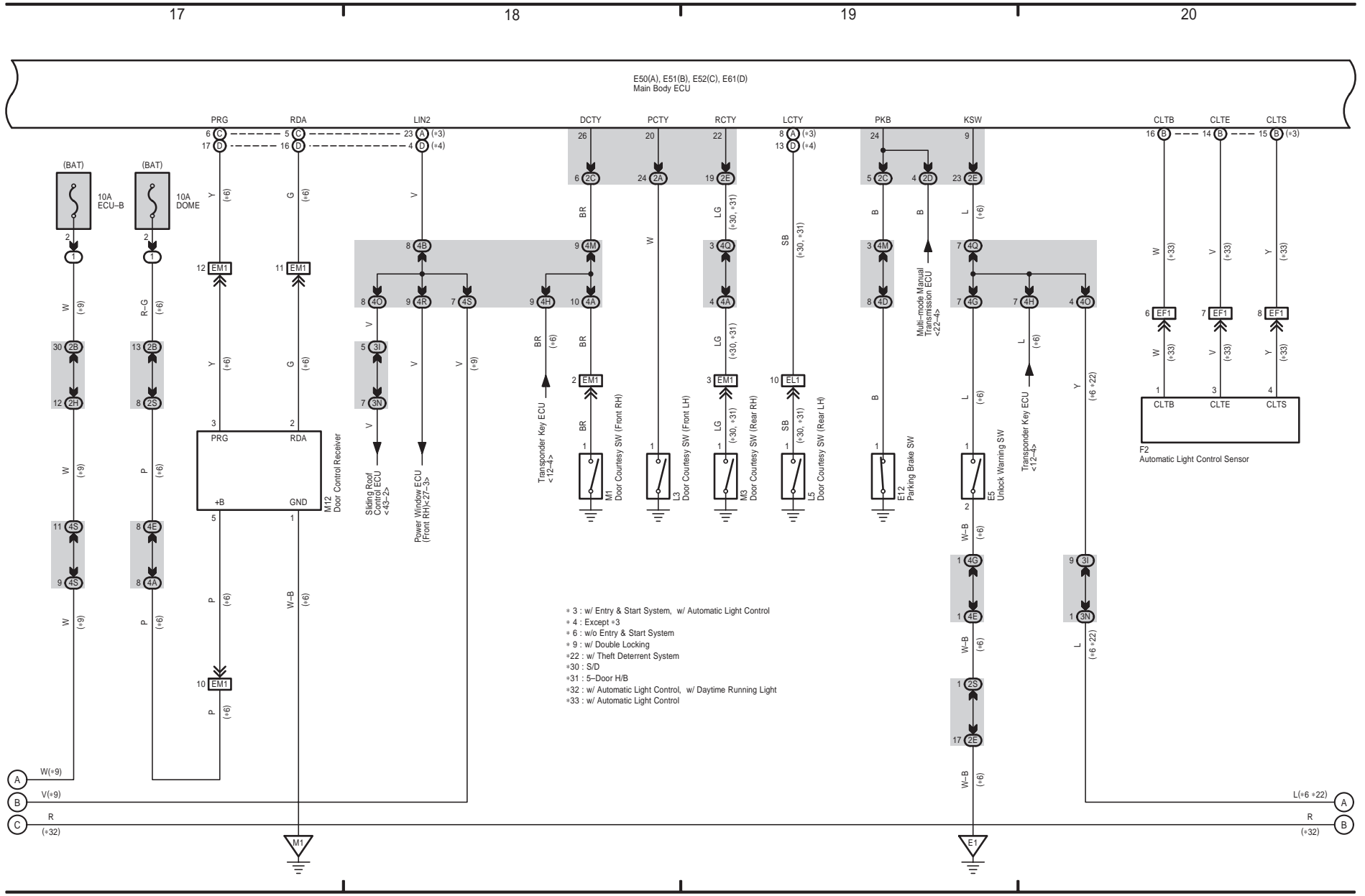
COROLLA / AURIS (EM04F1E)



731



Multiplex Communication System (CAN RHD)



- * 3 : w/ Entry & Start System, w/ Automatic Light Control
- * 4 : Except *3
- * 6 : w/o Entry & Start System
- * 9 : w/ Double Locking
- * 22 : w/ Theft Deterrent System
- * 30 : S/D
- * 31 : 5-Door H/B
- * 32 : w/ Automatic Light Control, w/ Daytime Running Light
- * 33 : w/ Automatic Light Control

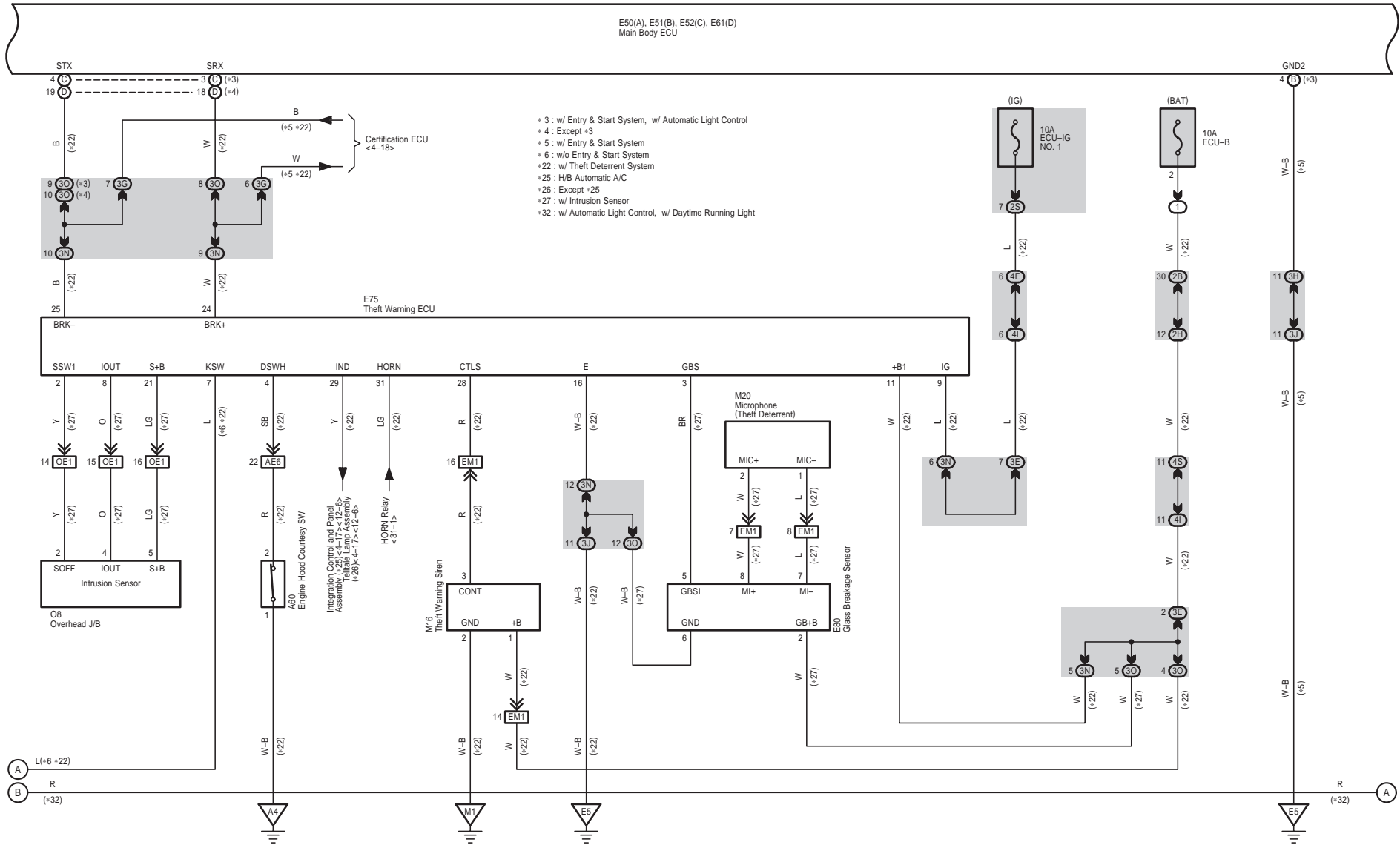
Multiplex Communication System (CAN RHD)

21

22

23

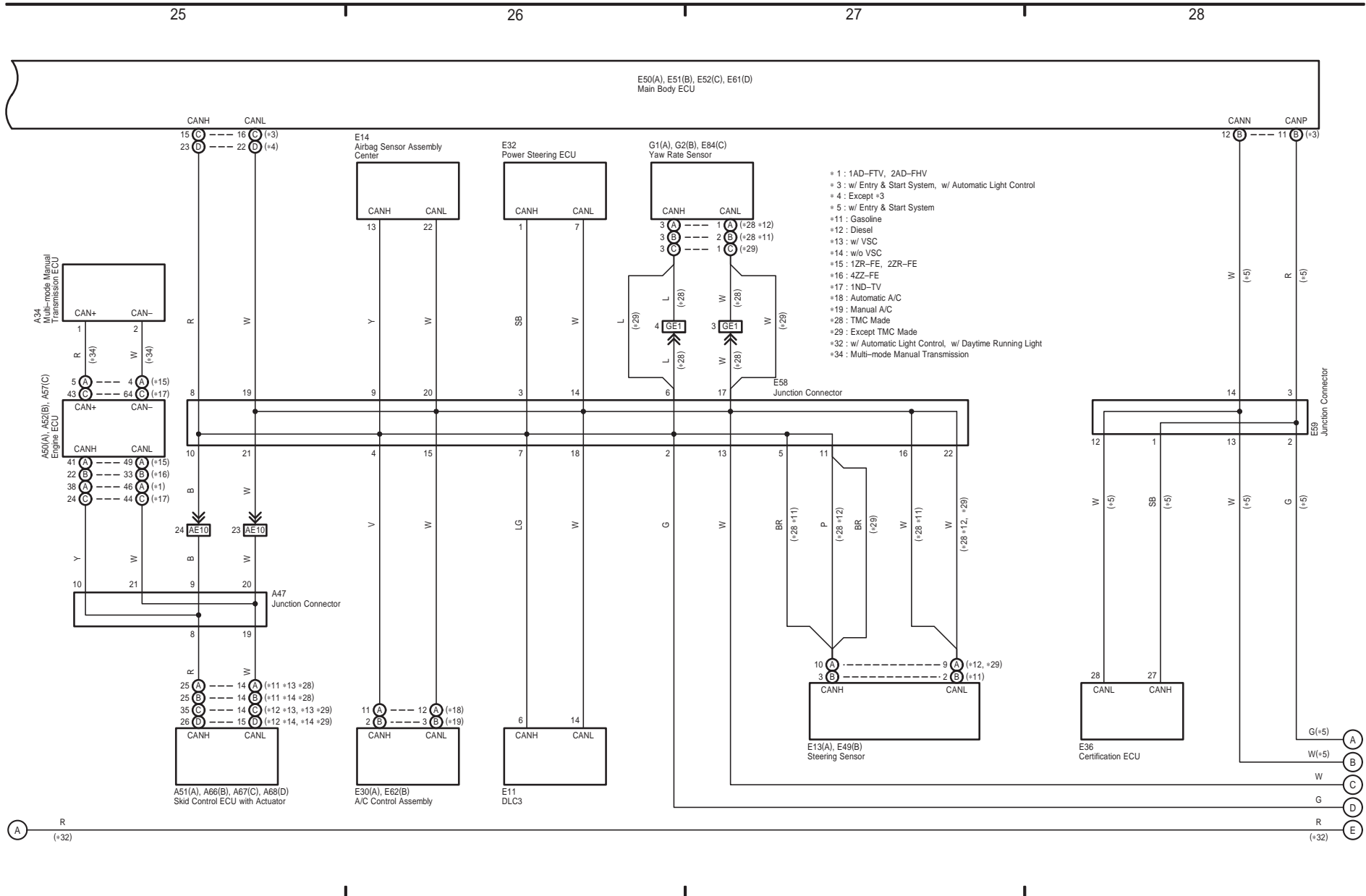
24



COROLLA / AURIS (EM04F1E)



Multiplex Communication System (CAN RHD)



Multiplex Communication System (CAN RHD)

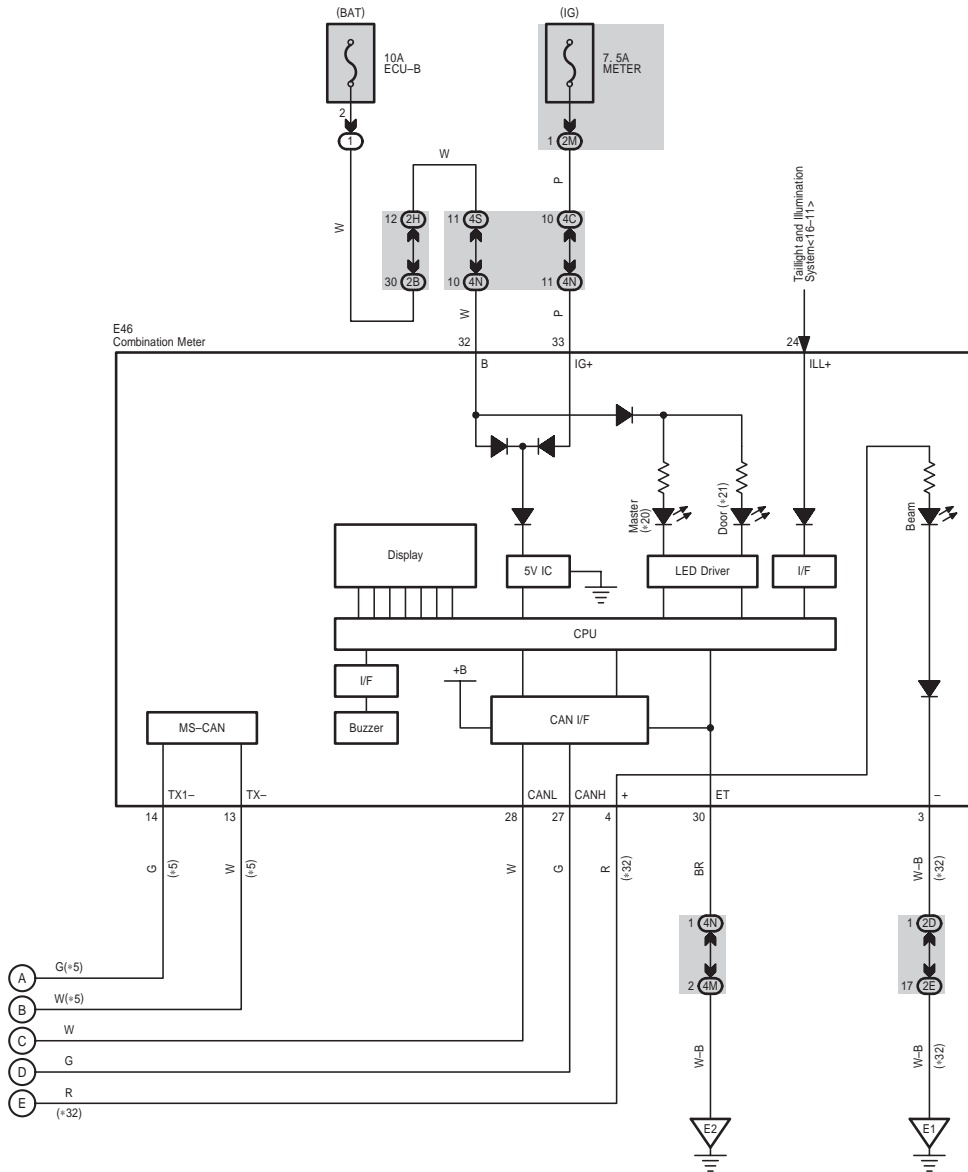
* 5 : w/ Entry & Start System
 *20 : Optitron Meter
 *21 : Except *20
 *32 : w/ Automatic Light Control, w/ Daytime Running Light

29

30

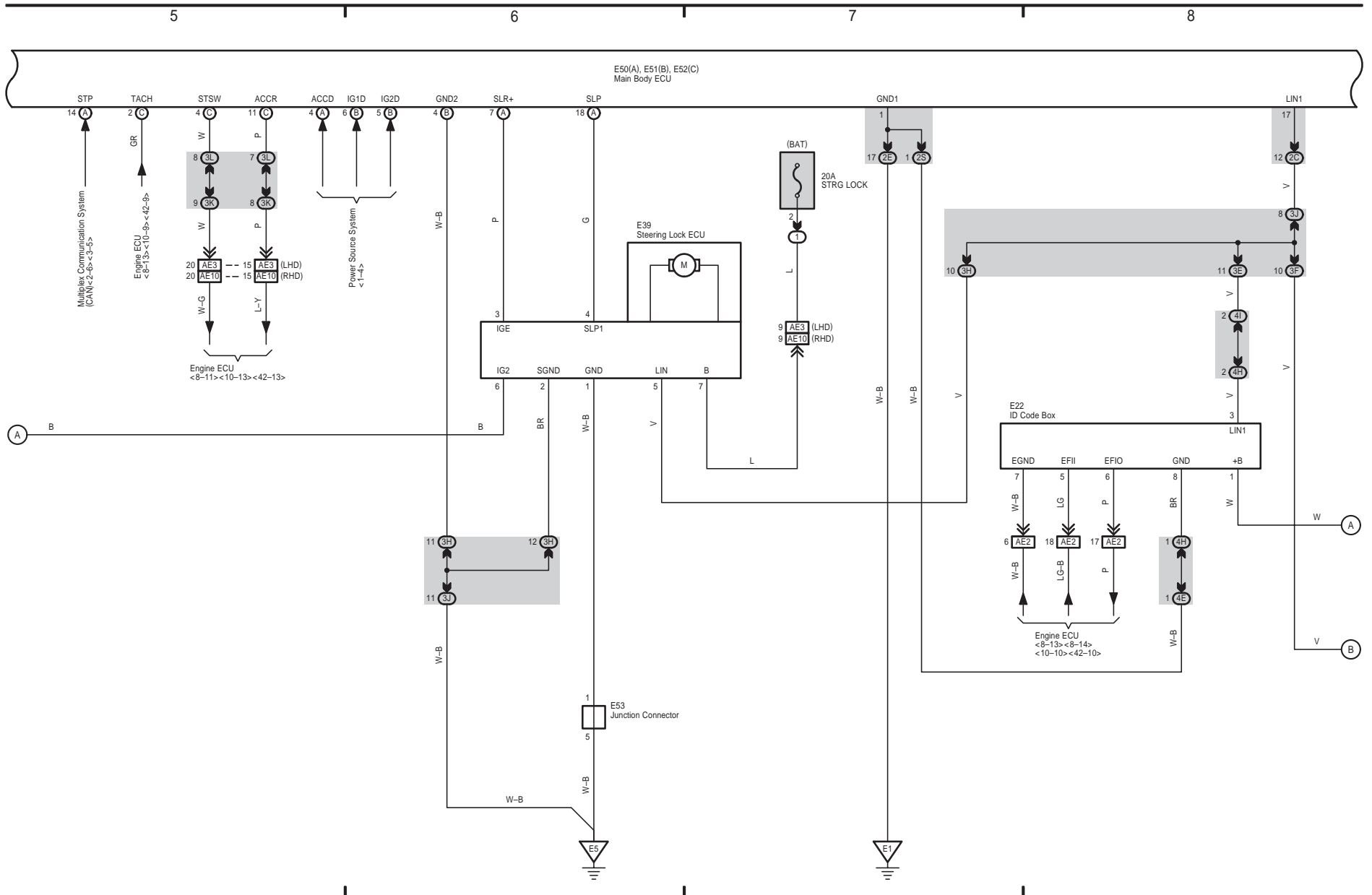
31

32



COROLLA / AURIS (EM04F1E)

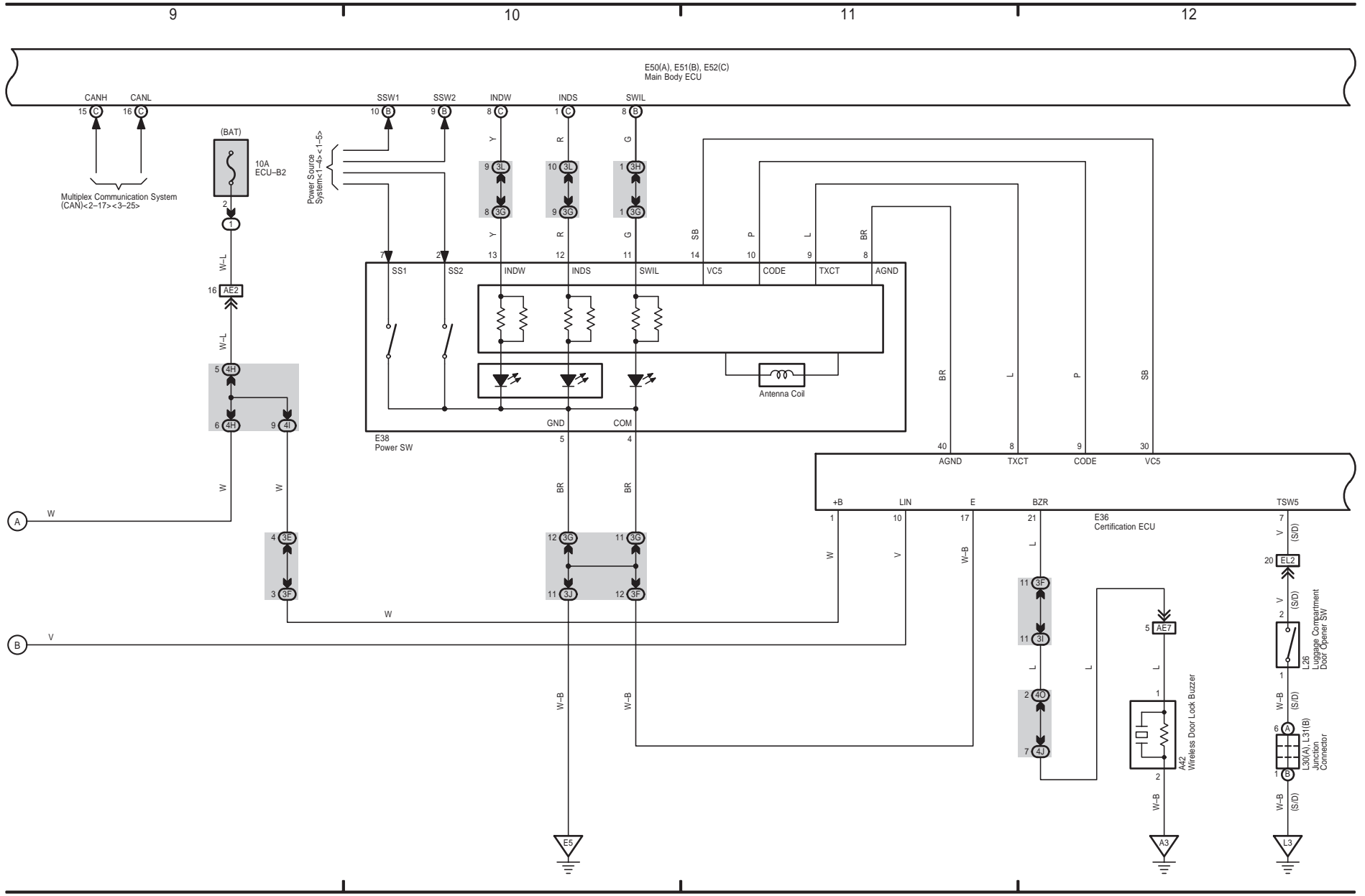
Entry & Start System



COROLLA / AURIS (EM04F1E)

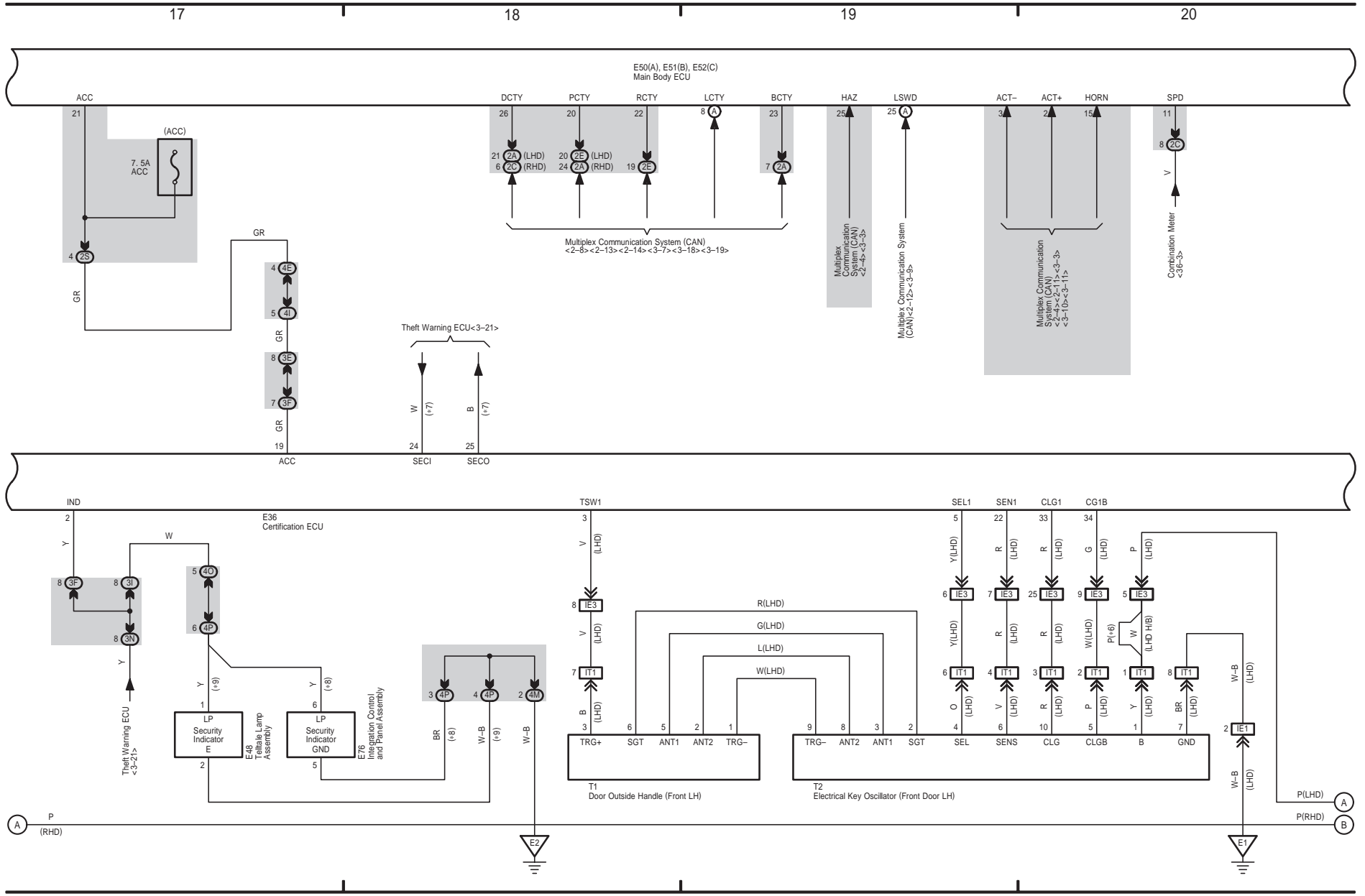


Entry & Start System



Entry & Start System

- * 6 : LHD S/D
- * 7 : w/ Theft Deterrent System
- * 8 : H/B Automatic A/C
- * 9 : Except *8

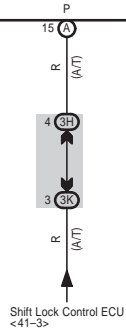


Entry & Start System

• 5 : RHD S/D
• 6 : LHD S/D

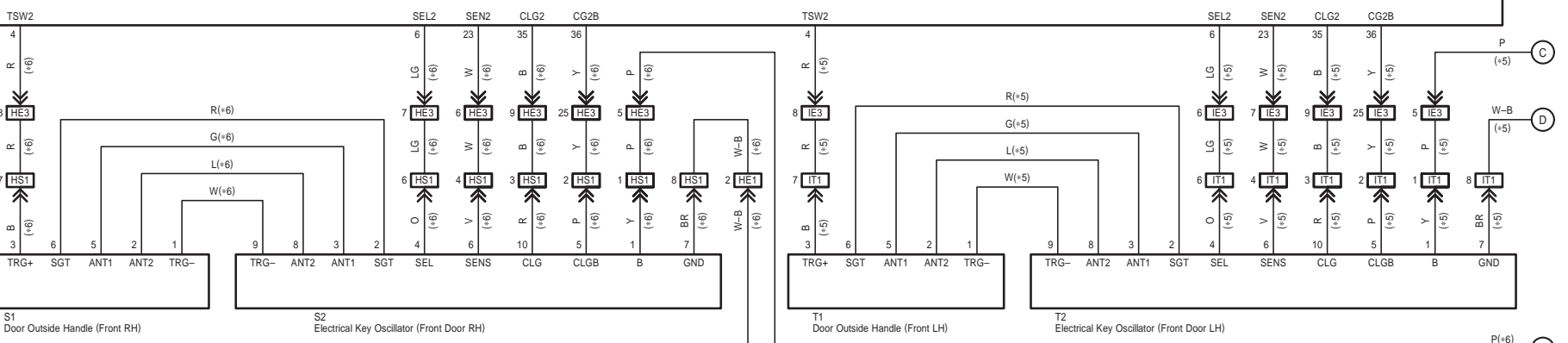
21 | 22 | 23 | 24

E50(A), E51(B), E52(C)
Main Body ECU



E36
Certification ECU

27 CANH
28 CANL



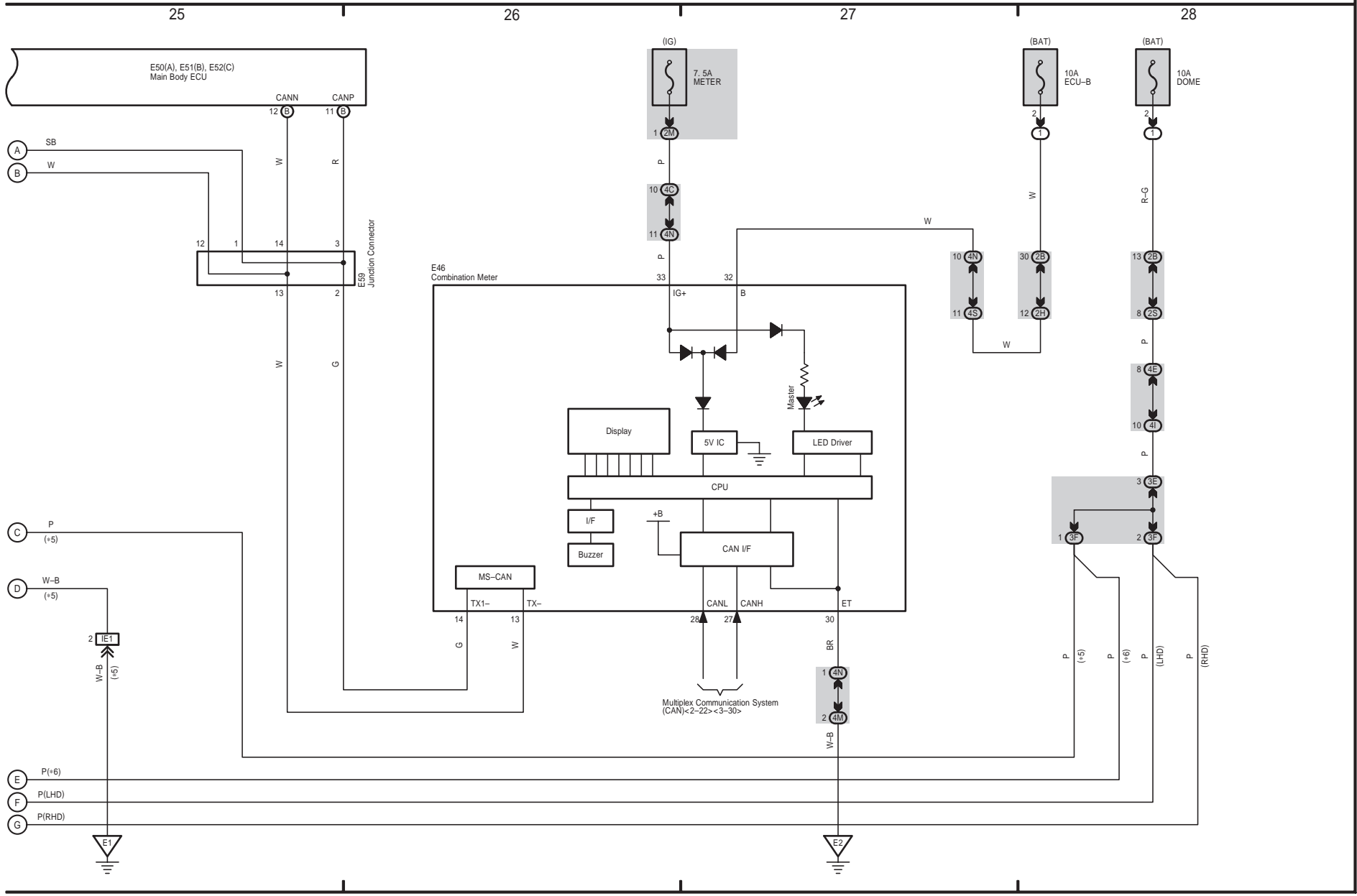
COROLLA / AURIS (EM04F1E)



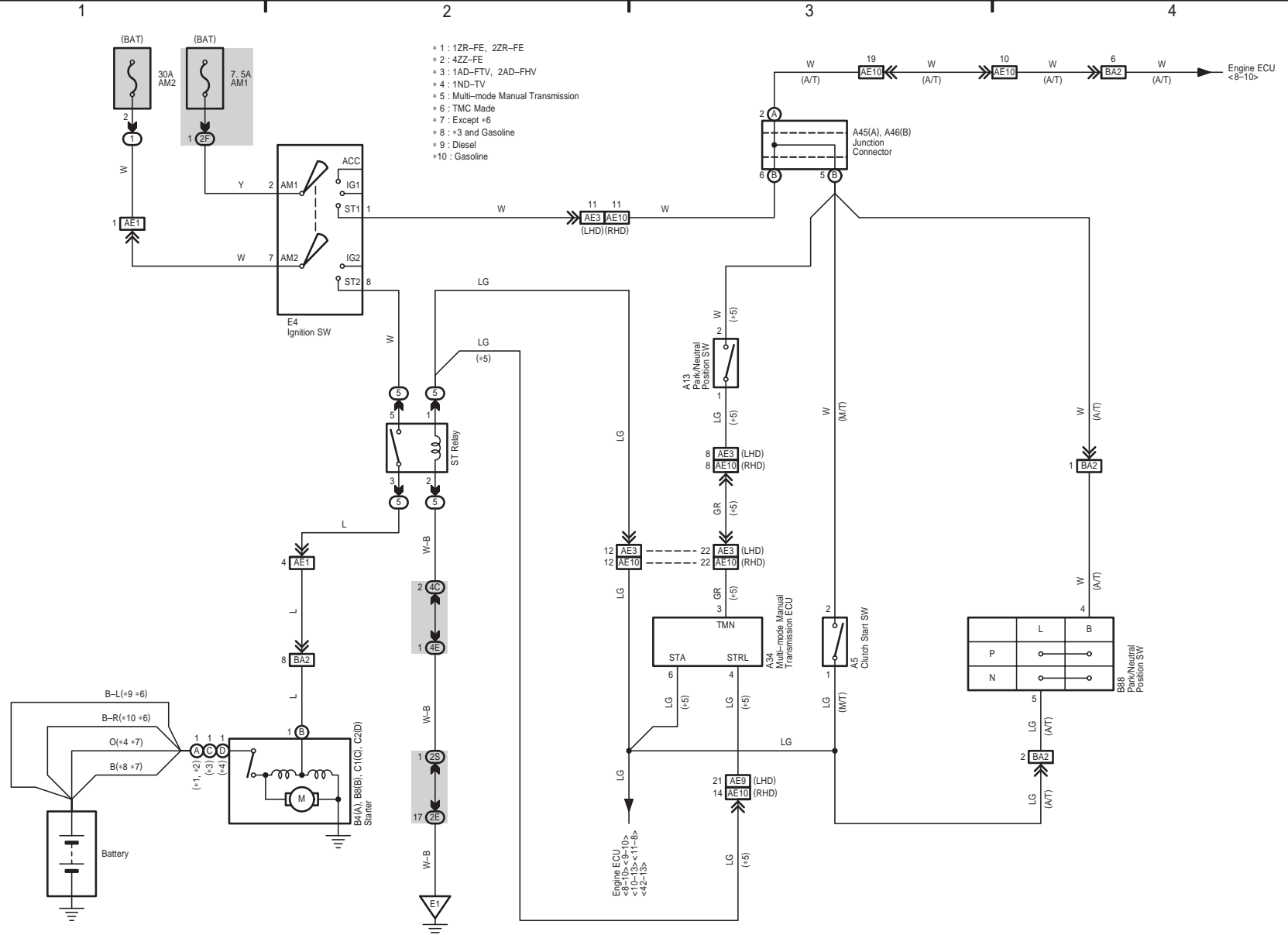
4 COROLLA / AURIS (Cont' d)

Entry & Start System

* 5 : RHD S/D
* 6 : LHD S/D



Starting (w/o Entry & Start System)

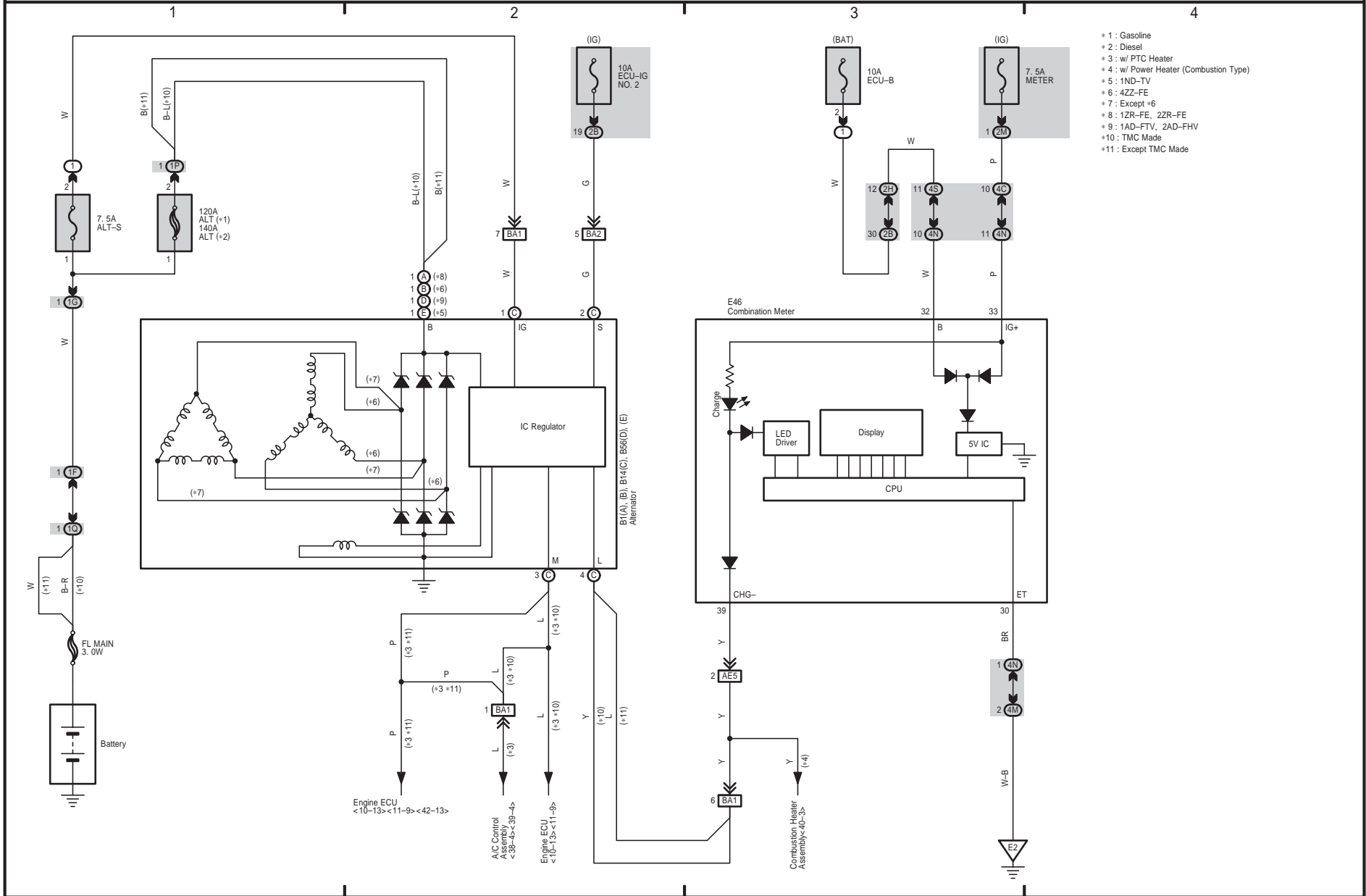


COROLLA / AURIS (EM04F1E)



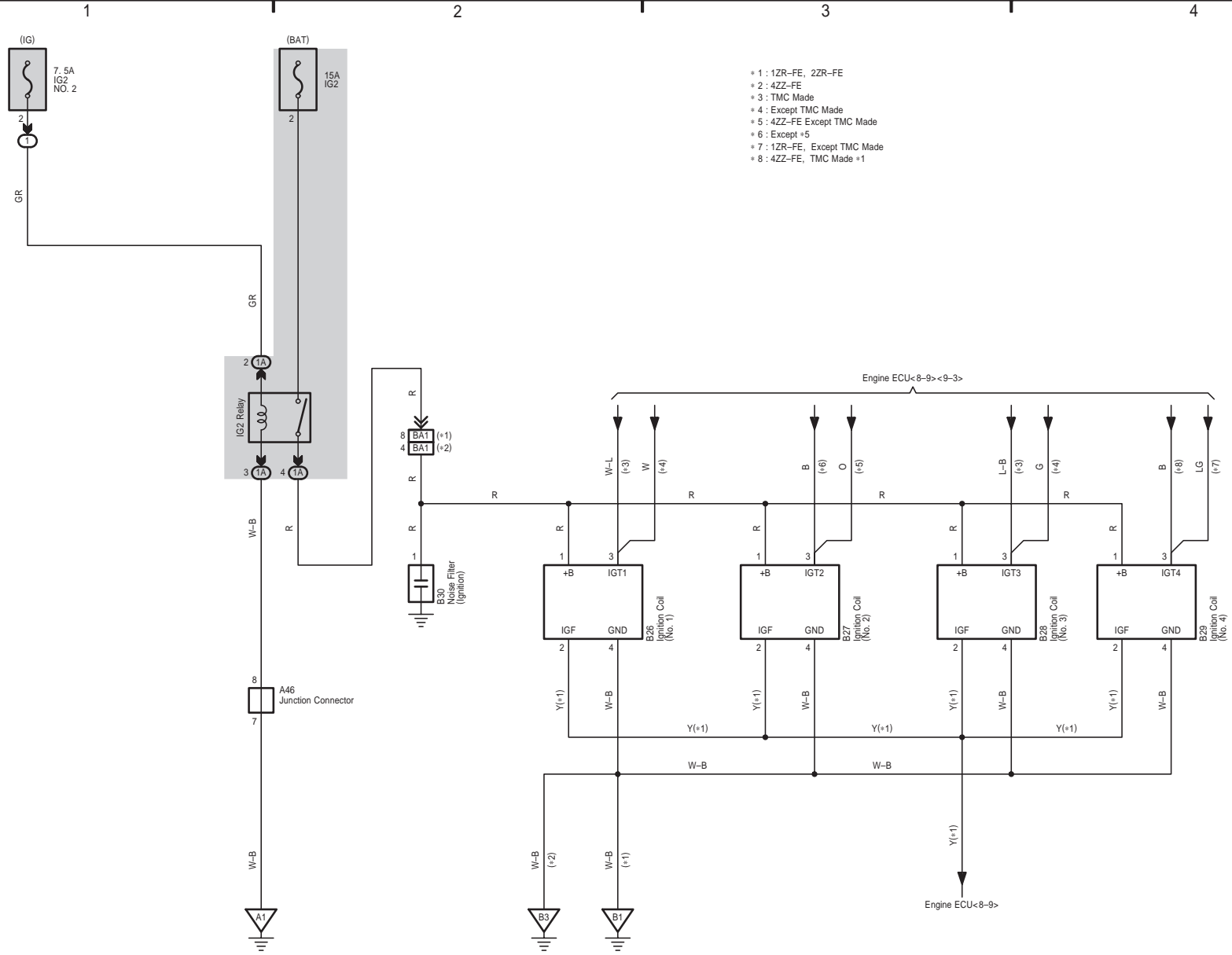
6 COROLLA / AURIS

Charging



7 COROLLA / AURIS

Ignition



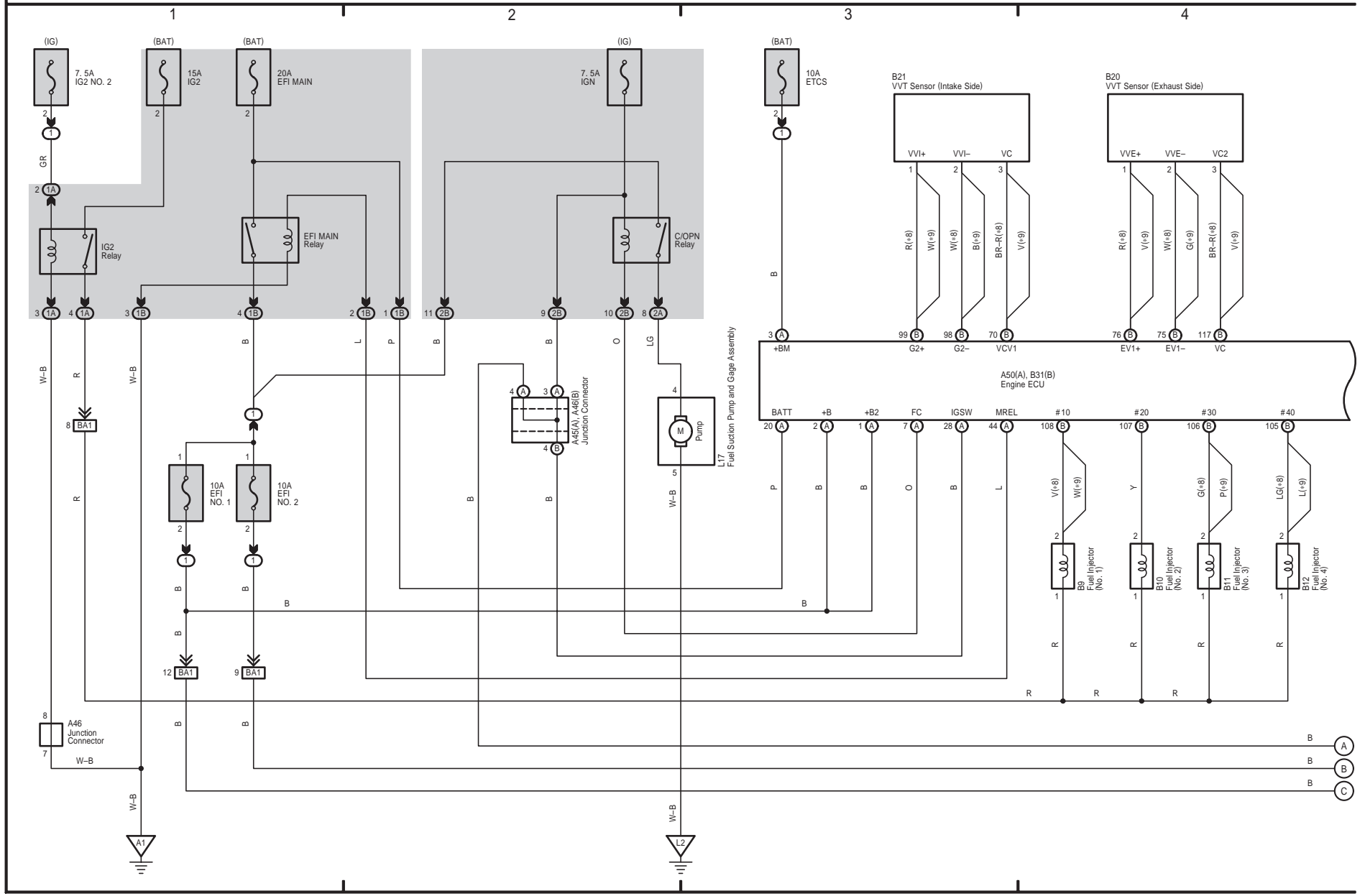
- * 1 : 1ZR-FE, 2ZR-FE
- * 2 : 4ZZ-FE
- * 3 : TMC Made
- * 4 : Except TMC Made
- * 5 : 4ZZ-FE Except TMC Made
- * 6 : Except +5
- * 7 : 1ZR-FE, Except TMC Made
- * 8 : 4ZZ-FE, TMC Made +1

COROLLA / AURIS (EM04F1E)



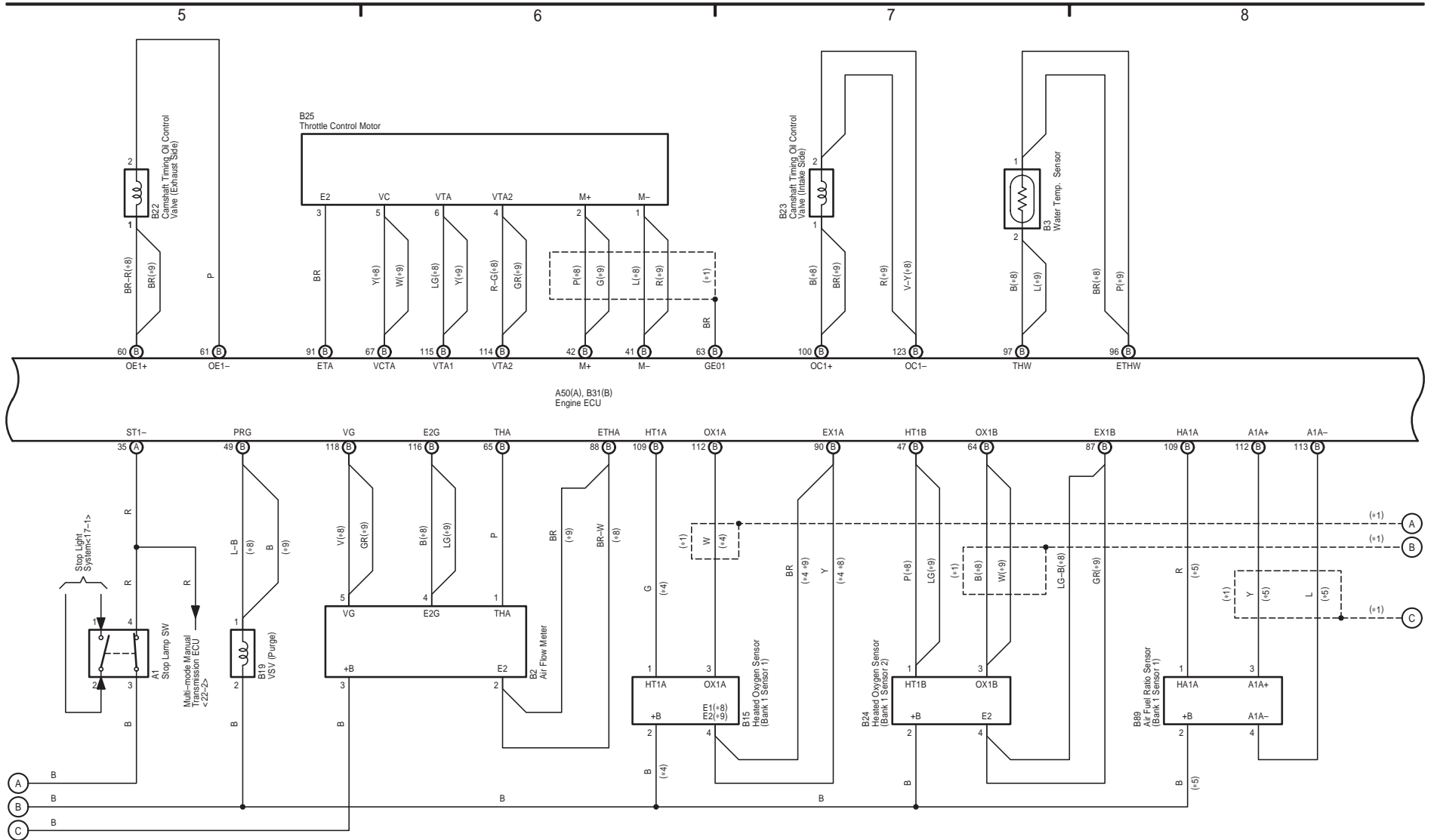
Engine Control (1ZR-FE, 2ZR-FE)

* 8 : TMC Made
* 9 : Except TMC Made



Engine Control (1ZR-FE, 2ZR-FE)

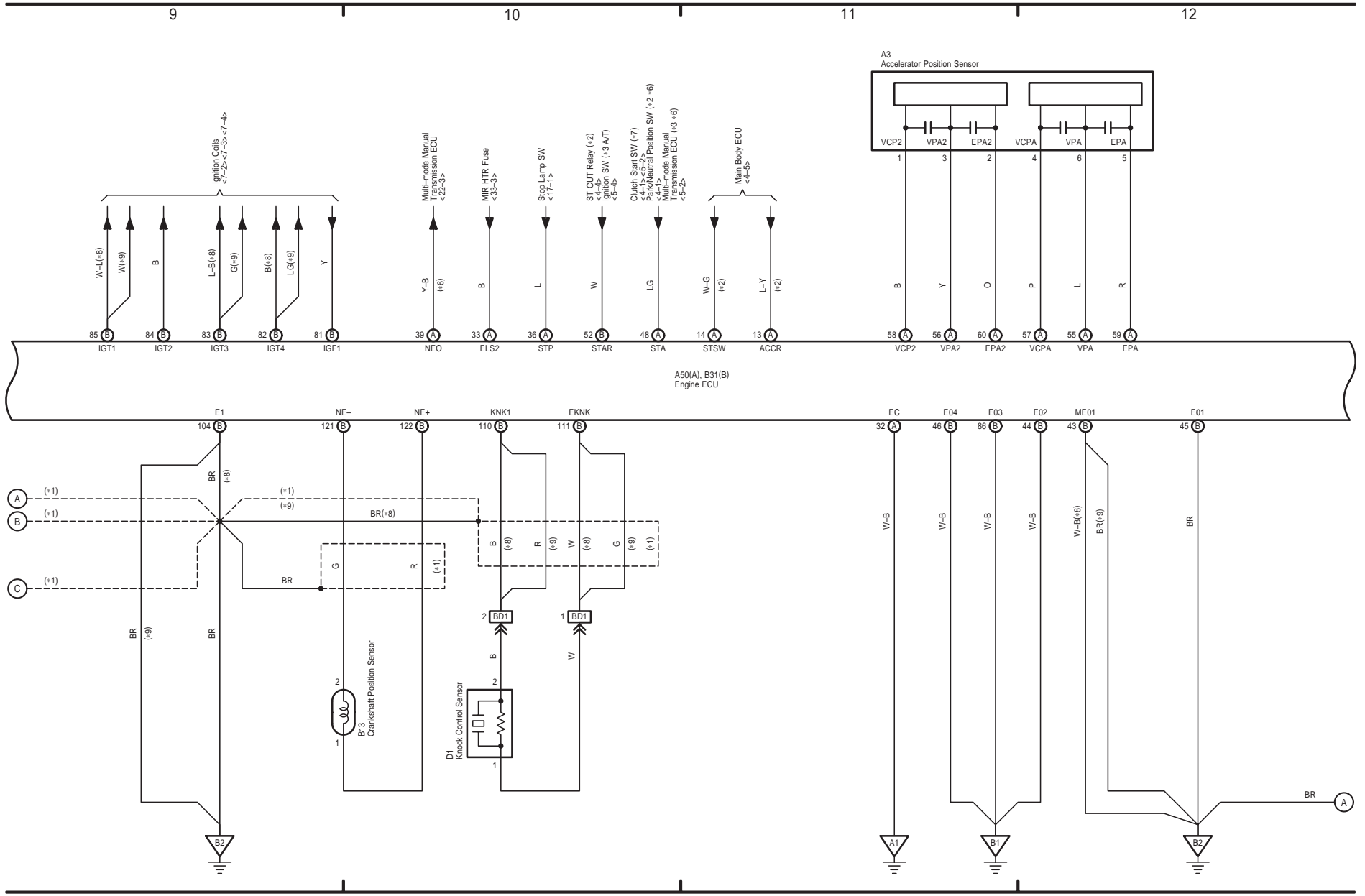
- * 1 : Shielded
- * 4 : 1ZR-FE
- * 5 : 2ZR-FE
- * 8 : TMC Made
- * 9 : Except TMC Made



COROLLA / AURIS (EM04F1E)

Engine Control (1ZR-FE, 2ZR-FE)

- * 1 : Shielded
- * 2 : w/ Entry & Start System
- * 3 : w/o Entry & Start System
- * 6 : Multi-mode Manual Transmission
- * 7 : Except Multi-mode Manual Transmission
- * 8 : TMC Made
- * 9 : Except TMC Made



Cruise Control (1ZR-FE, 2ZR-FE)

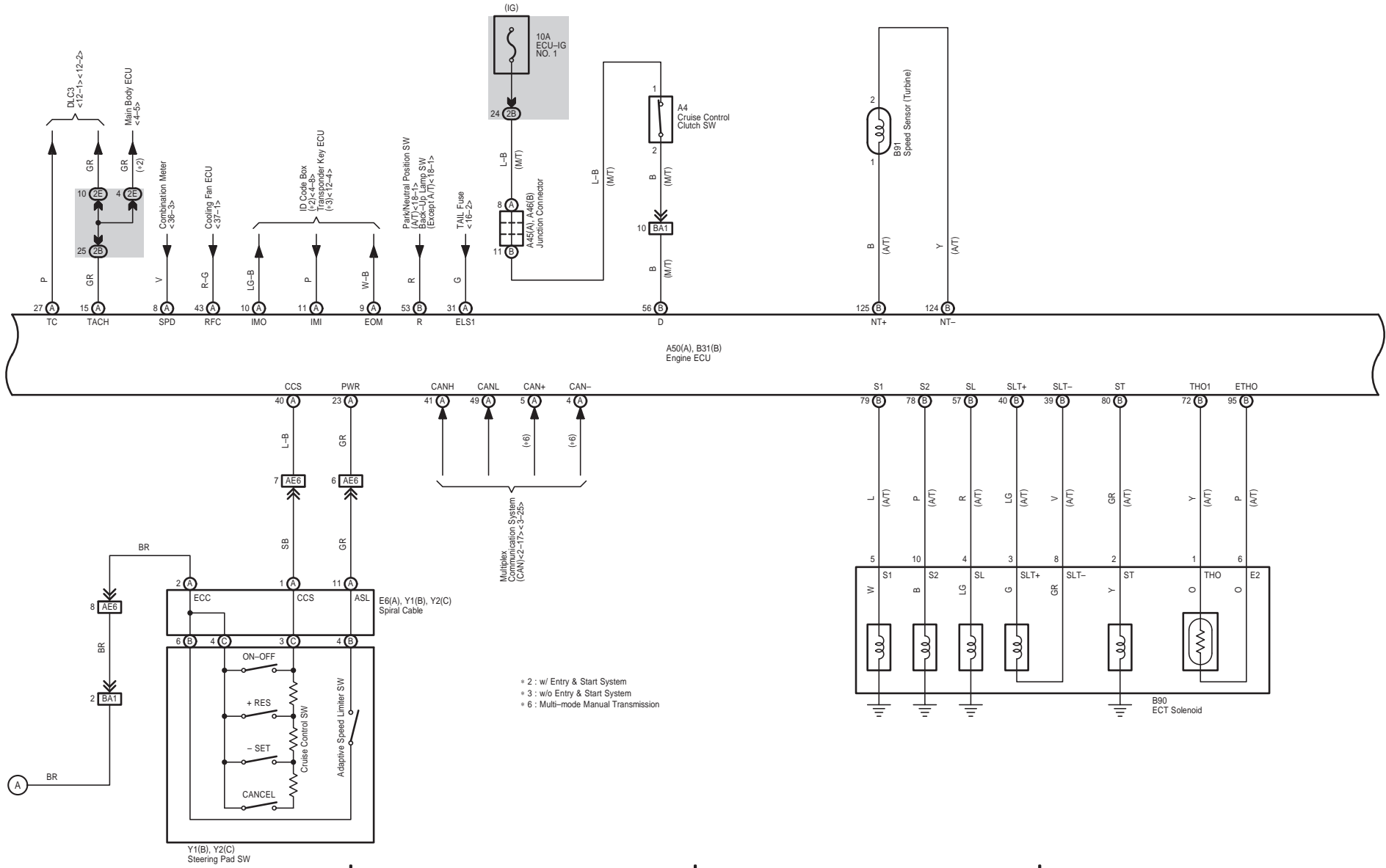
ECT and A/T Indicator (2ZR-FE)

13

14

15

16



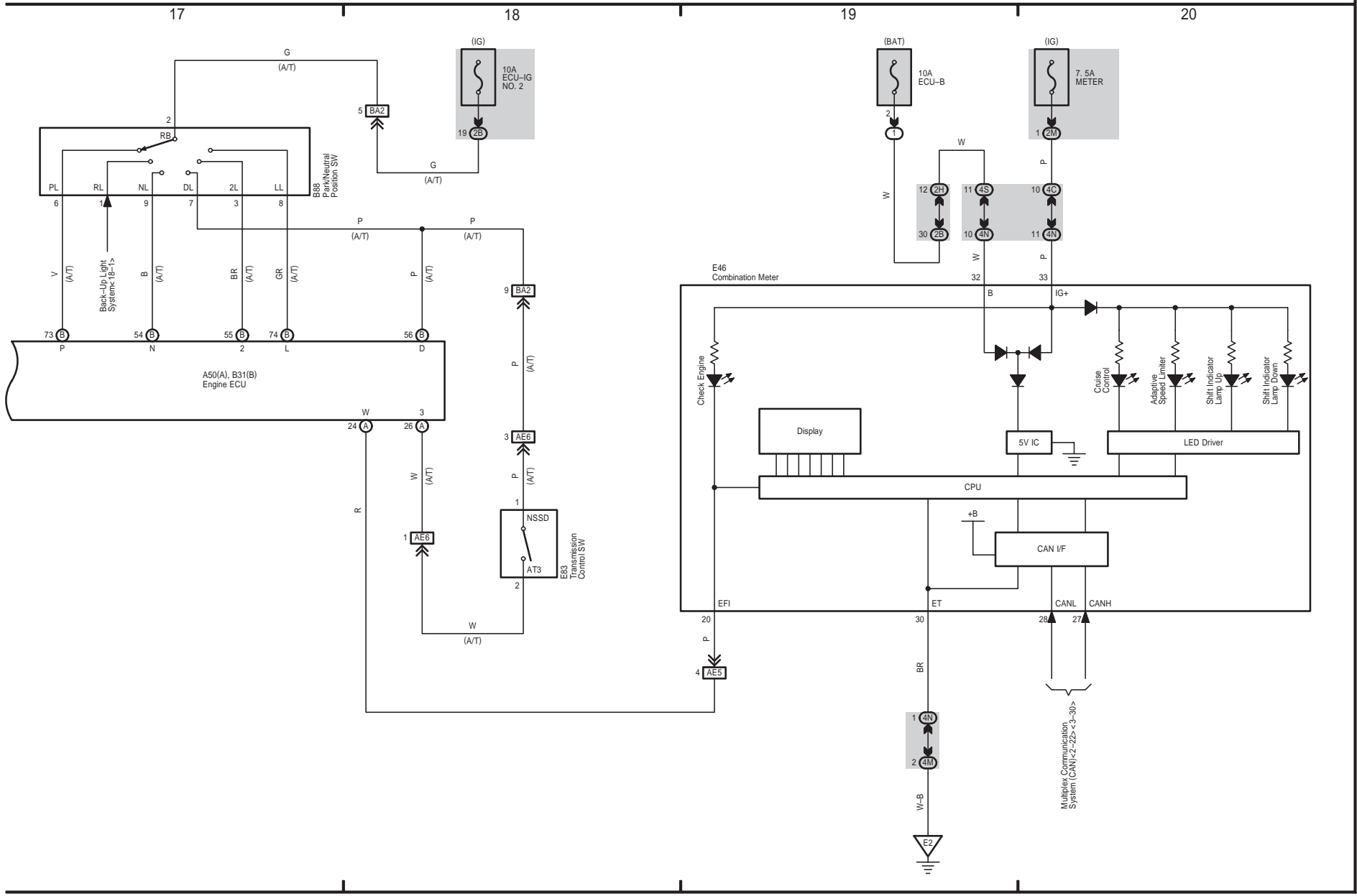
- * 2 : w/ Entry & Start System
- * 3 : w/o Entry & Start System
- * 6 : Multi-mode Manual Transmission

COROLLA / AURIS (EM04F1E)



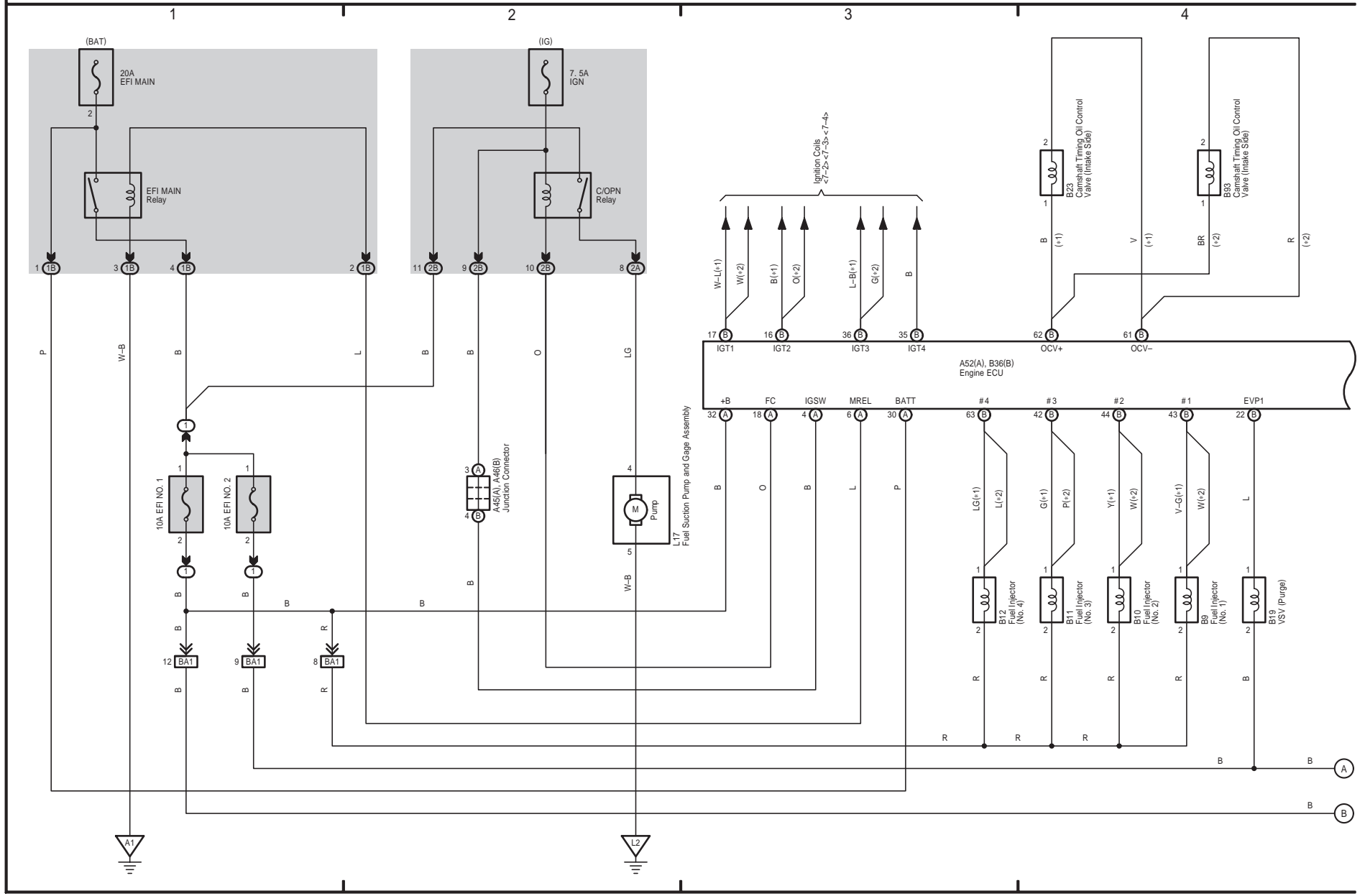
8 COROLLA / AURIS (Cont' d)

ECT and A/T Indicator (2ZR-FE)



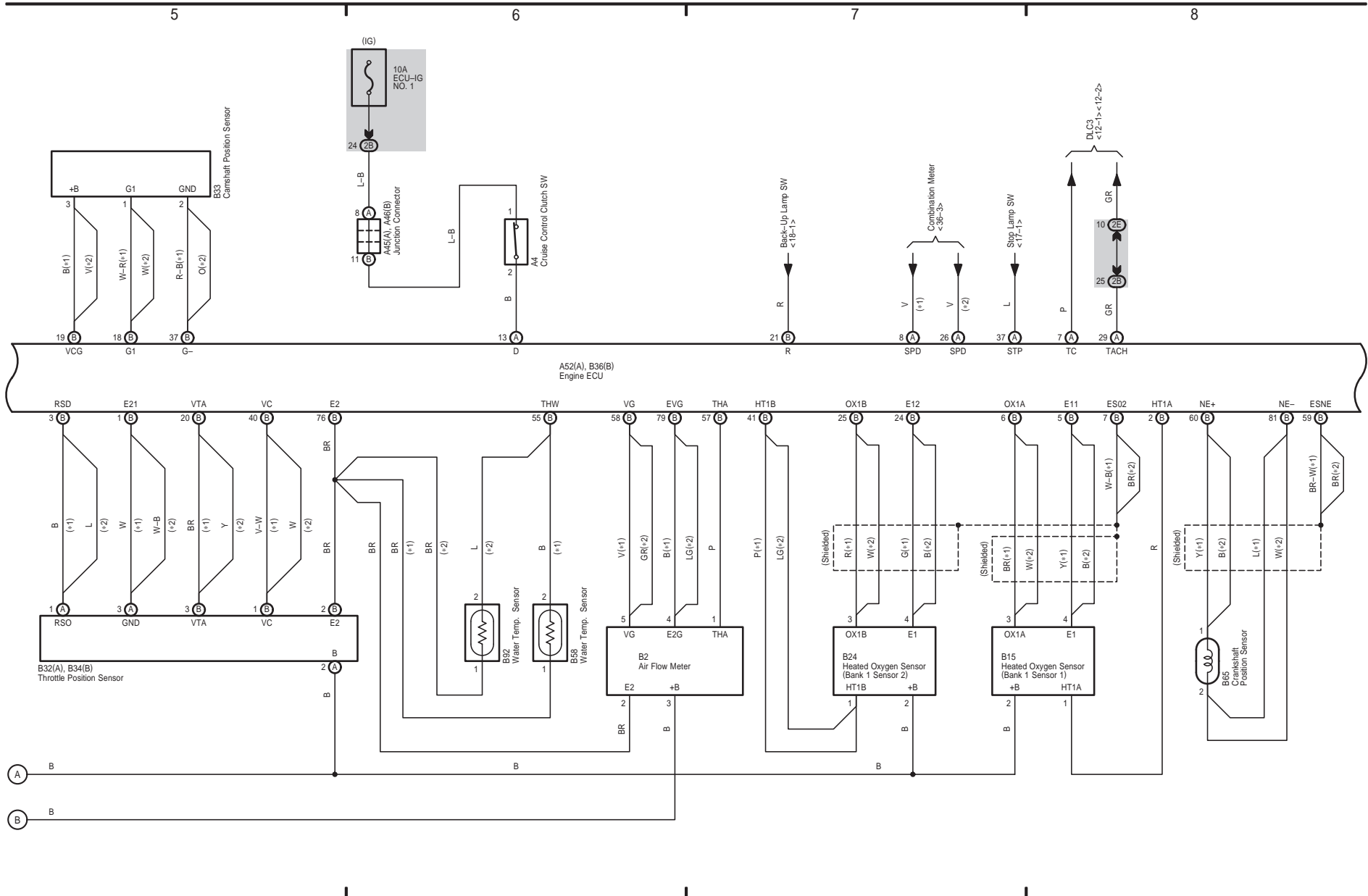
Engine Control (4ZZ-FE)

* 1 : TMC Made
* 2 : Except TMC Made



Engine Control (4ZZ-FE)

* 1 : TMC Made
* 2 : Except TMC Made



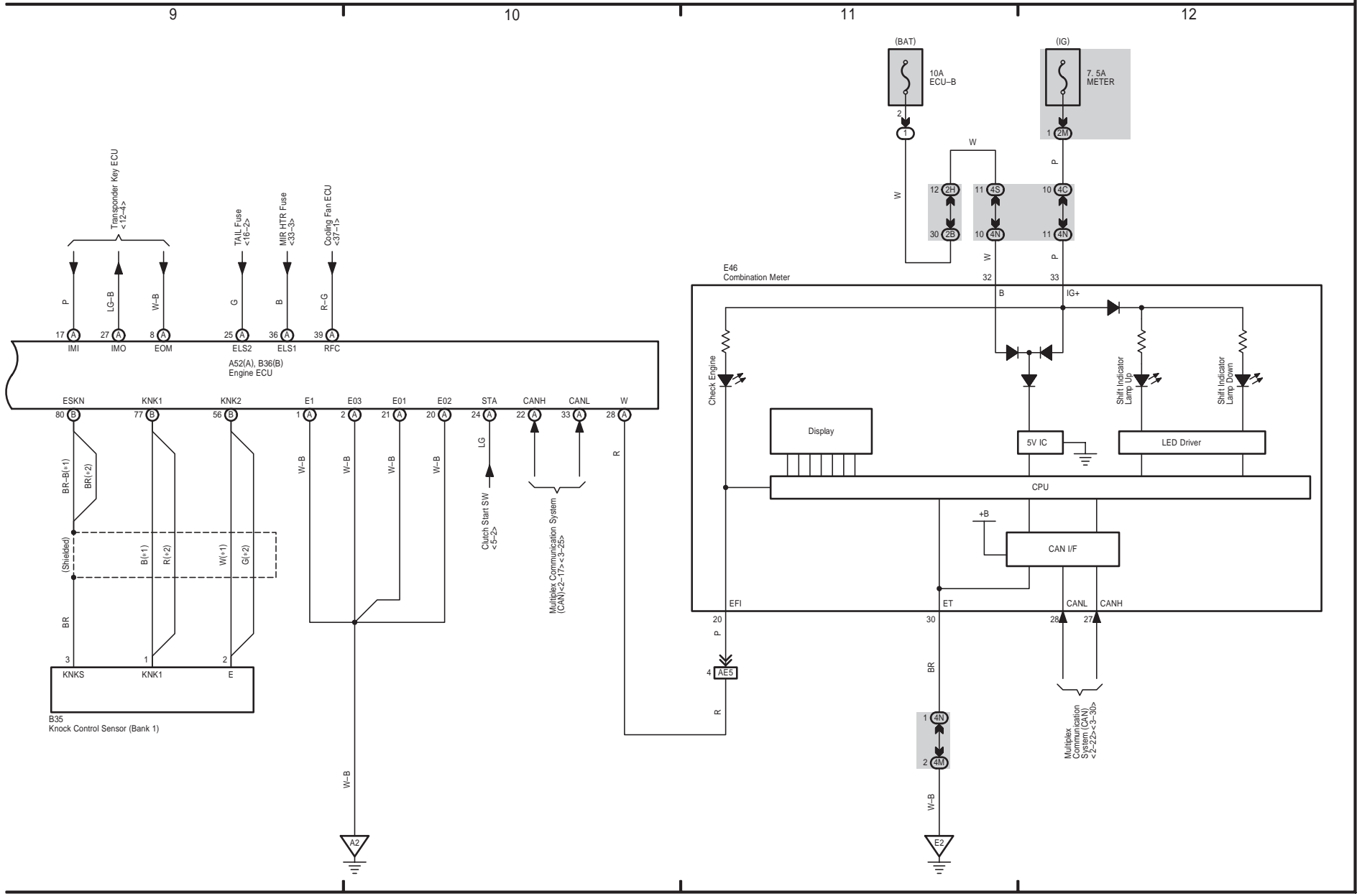
COROLLA / AURIS (EM04F1E)



9 COROLLA / AURIS (Cont' d)

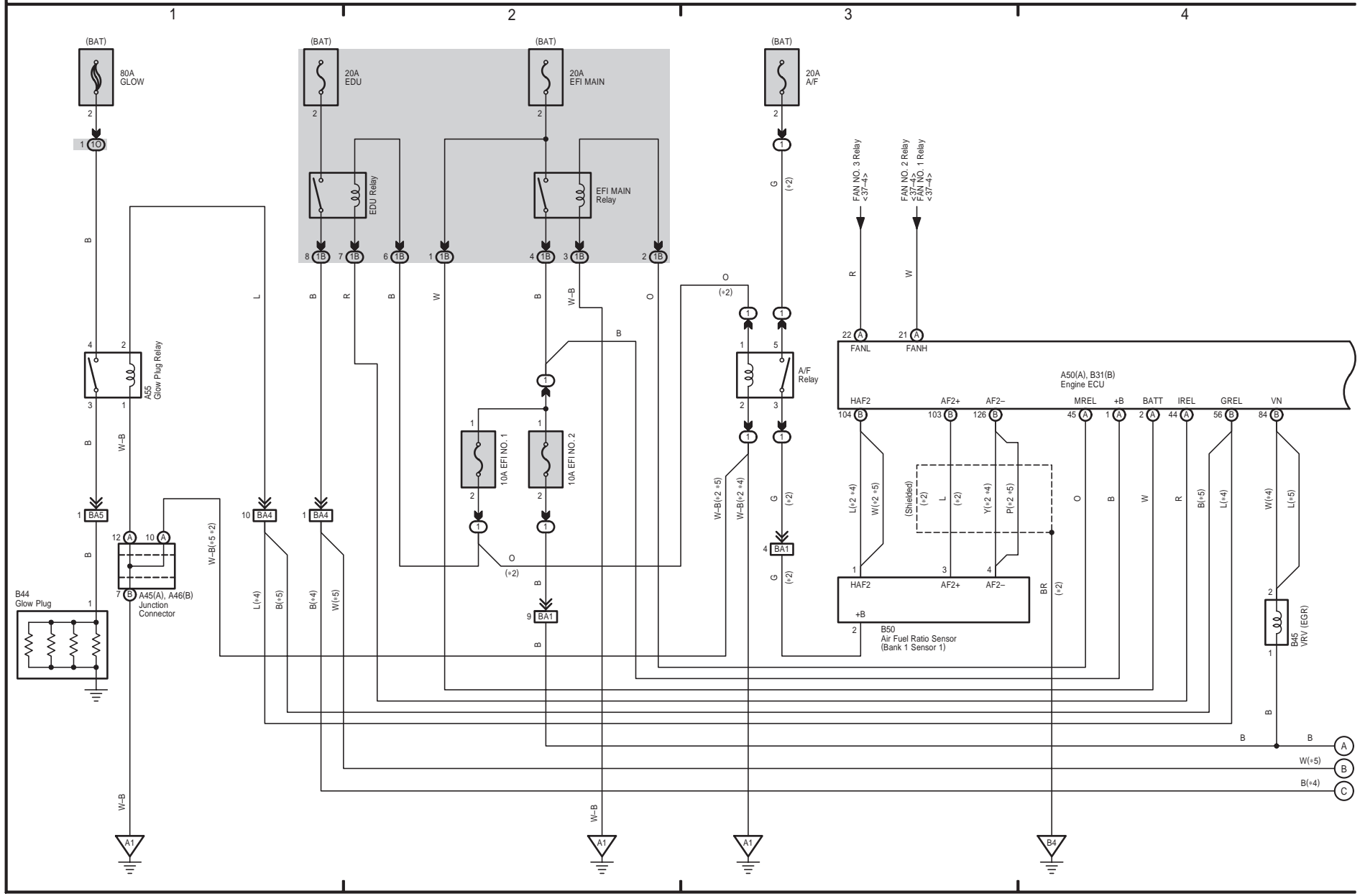
Engine Control (4ZZ-FE)

* 1 : TMC Made
* 2 : Except TMC Made



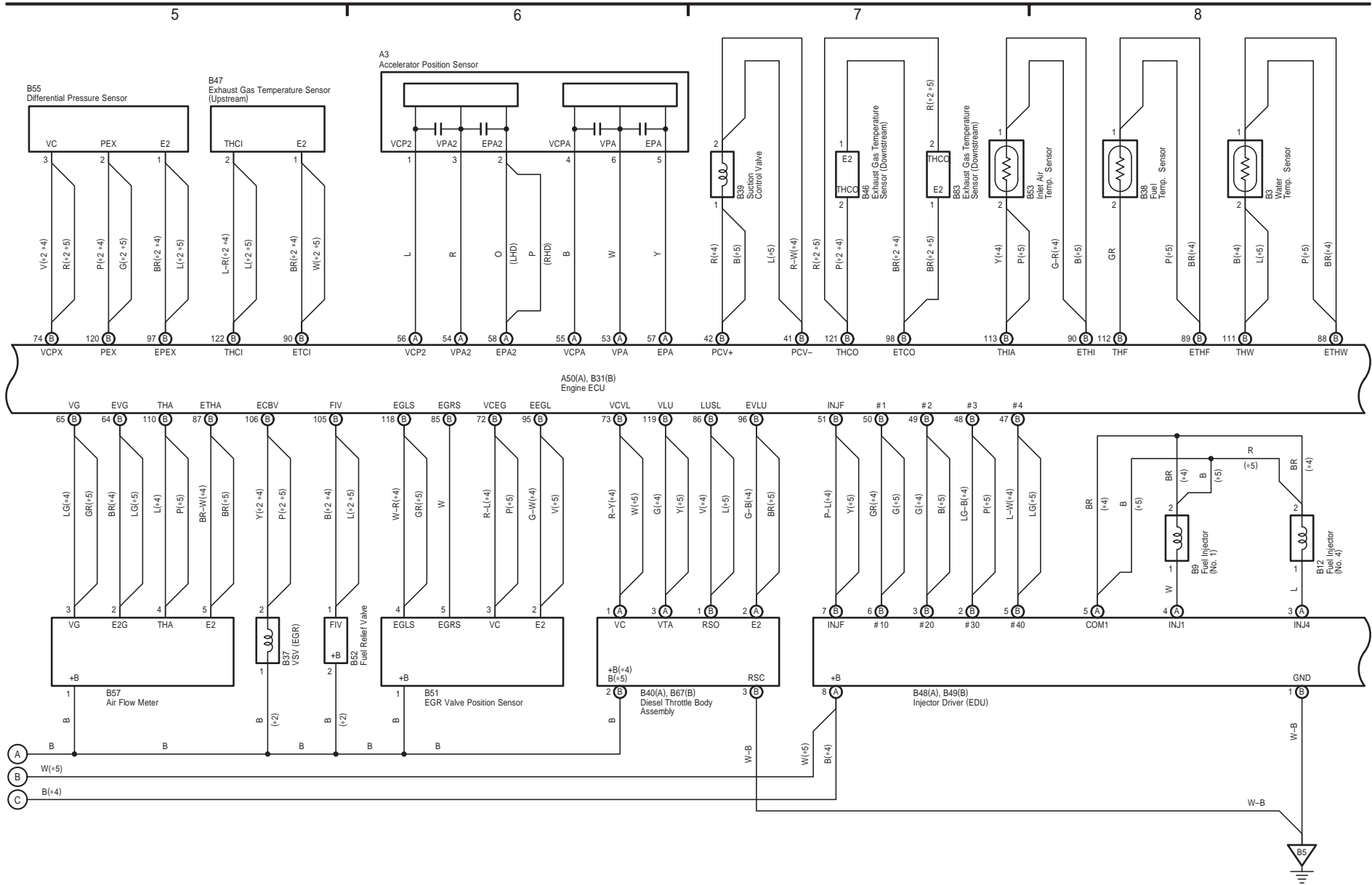
Engine Control (1AD-FTV)

- * 2 : w/ Air Fuel Ratio Sensor
- * 4 : TMC Made
- * 5 : Except TMC Made



Engine Control (1AD-FTV)

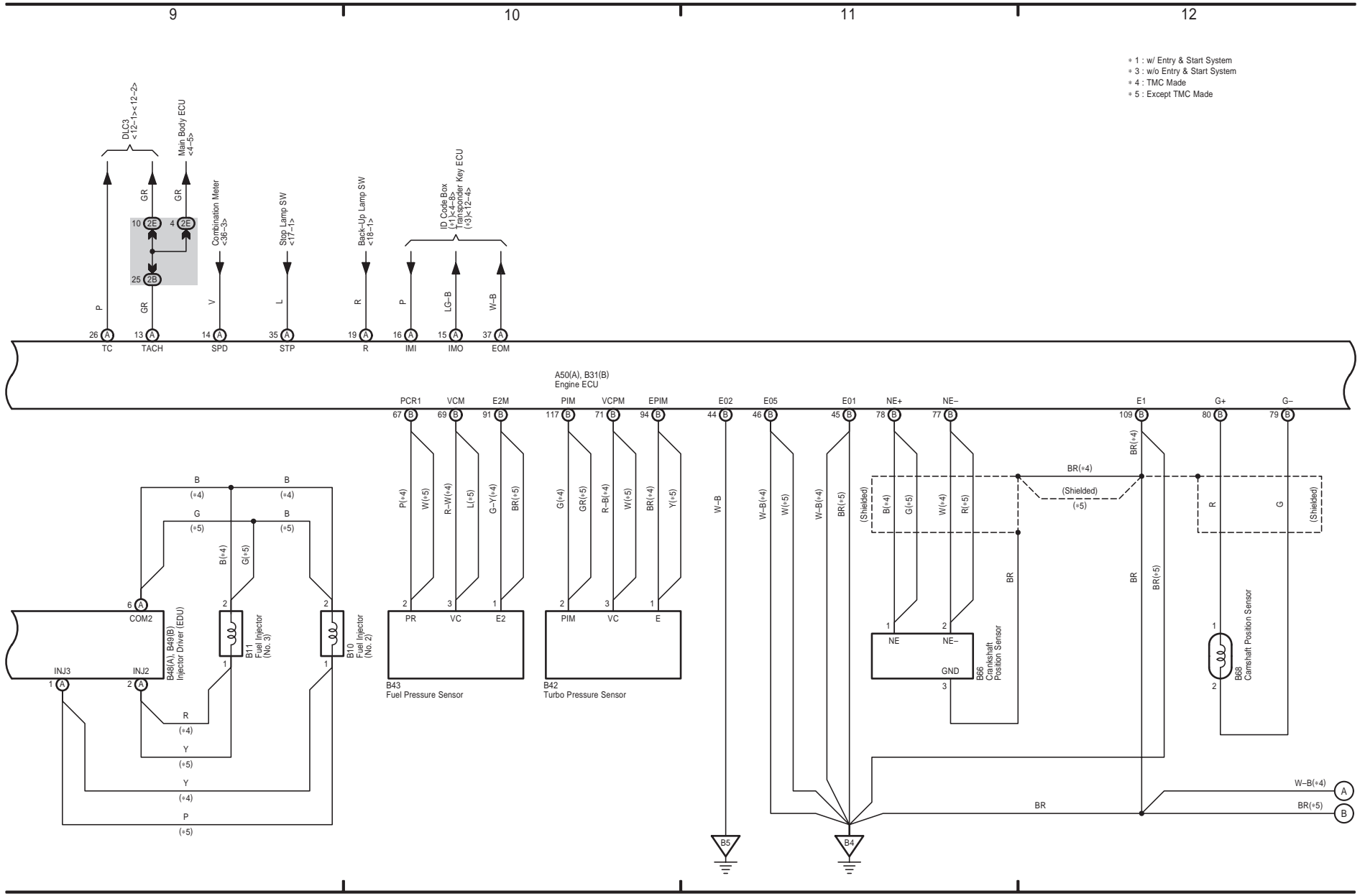
- * 2 : w/ Air Fuel Ratio Sensor
- * 4 : TMC Made
- * 5 : Except TMC Made



COROLLA / AURIS (EM04F1E)

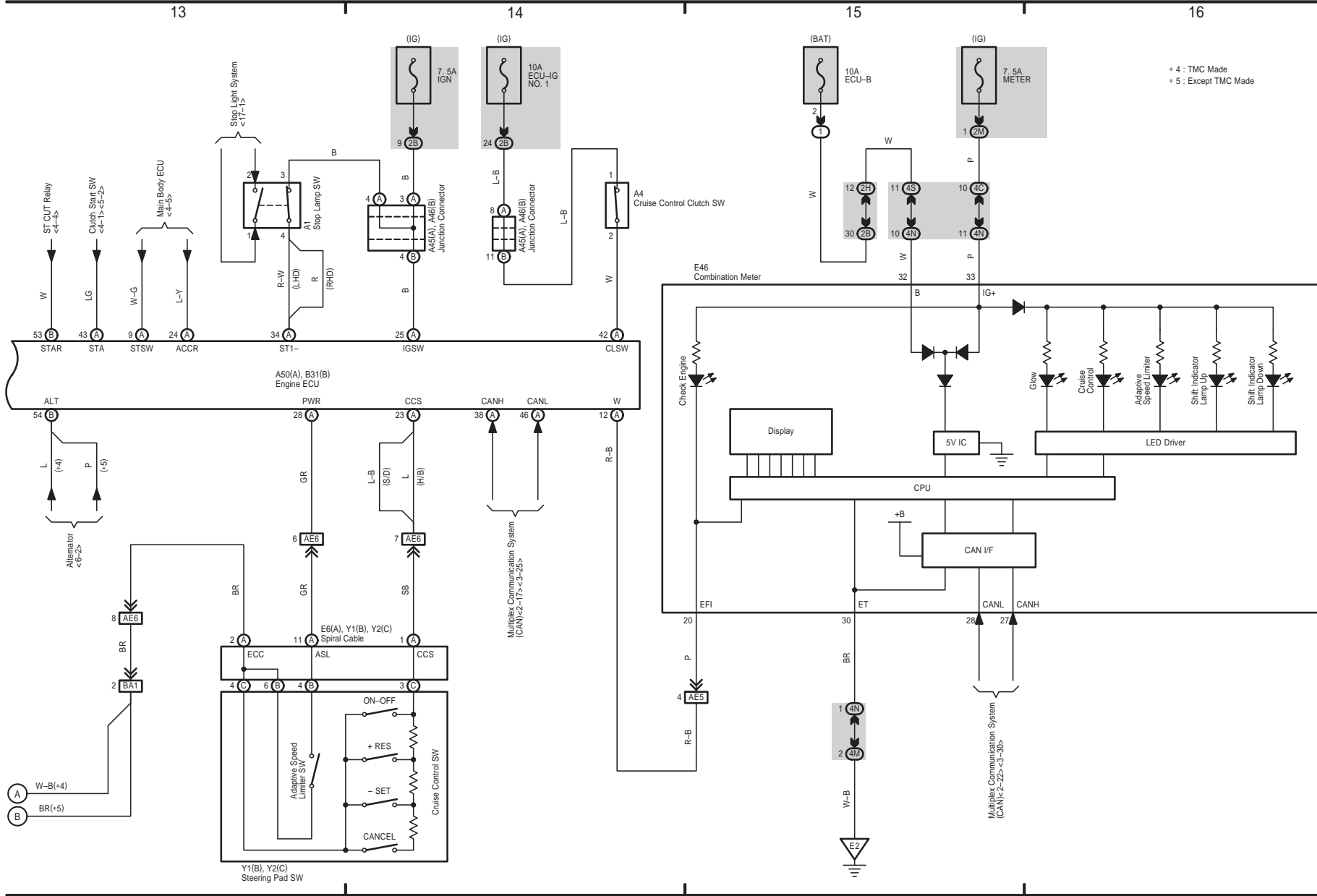


Engine Control (1AD-FTV)



Cruise Control (1AD-FTV)

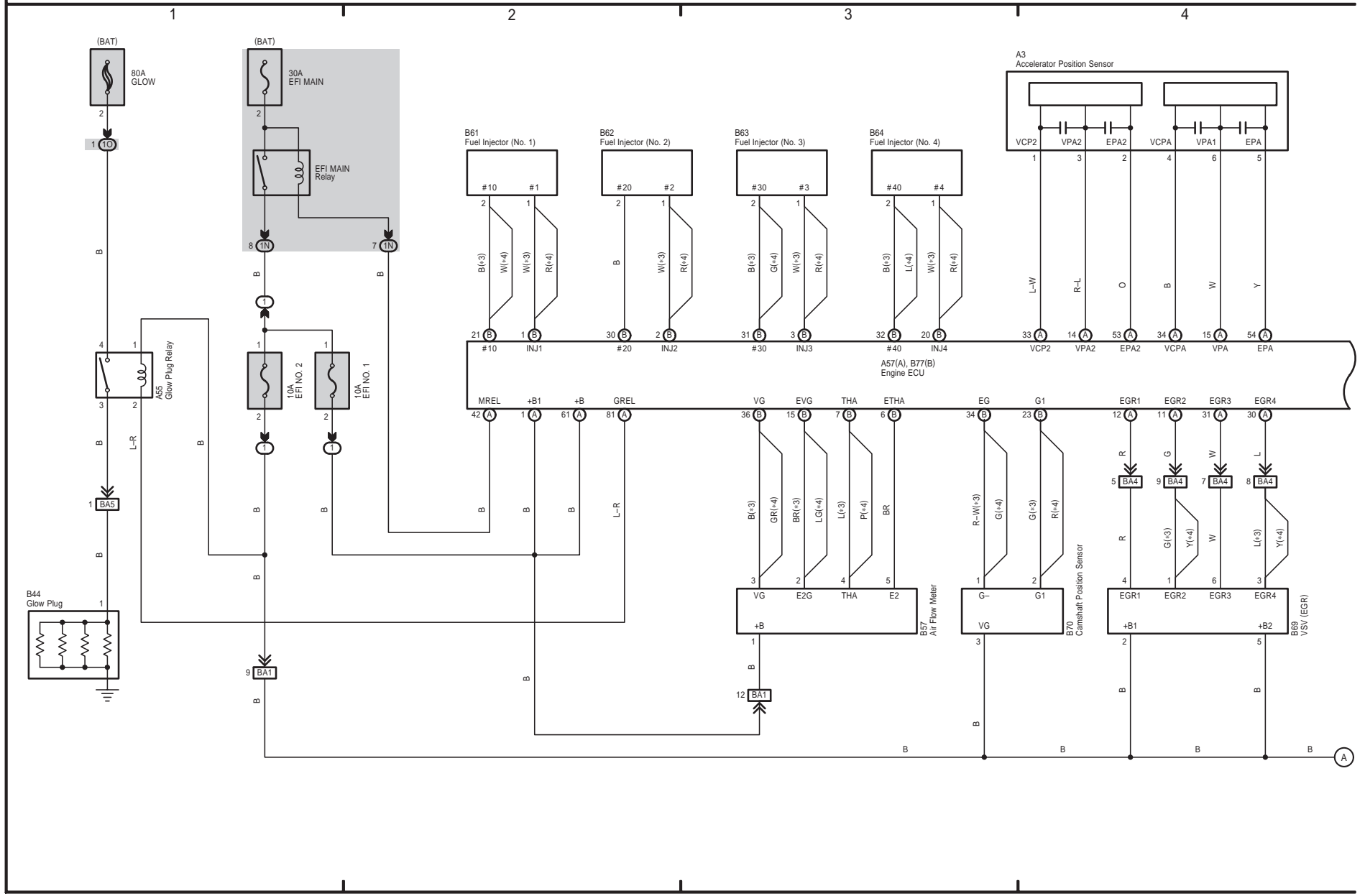
COROLLA / AURIS (EM04F1E)



* 4 : TMC Made
* 5 : Except TMC Made

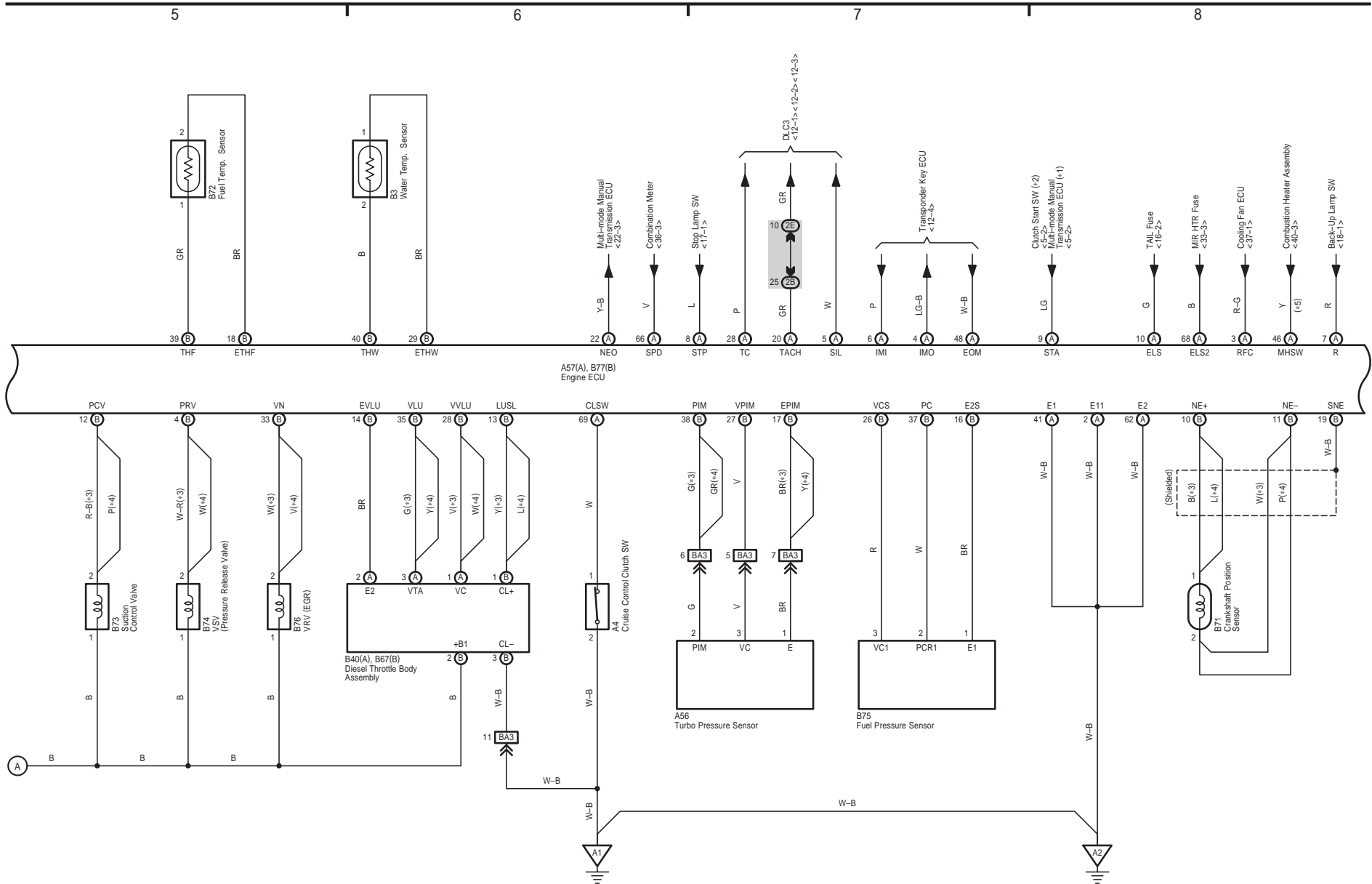
Engine Control (1ND-TV)

* 3 : TMC Made
* 4 : Except TMC Made



- 1 : Multi-mode Manual Transmission
- 2 : Except Multi-mode Manual Transmission
- 3 : TMC Made
- 4 : Except TMC Made
- 5 : w/ Power Heater (Combustion Type)

Engine Control (1ND-TV)



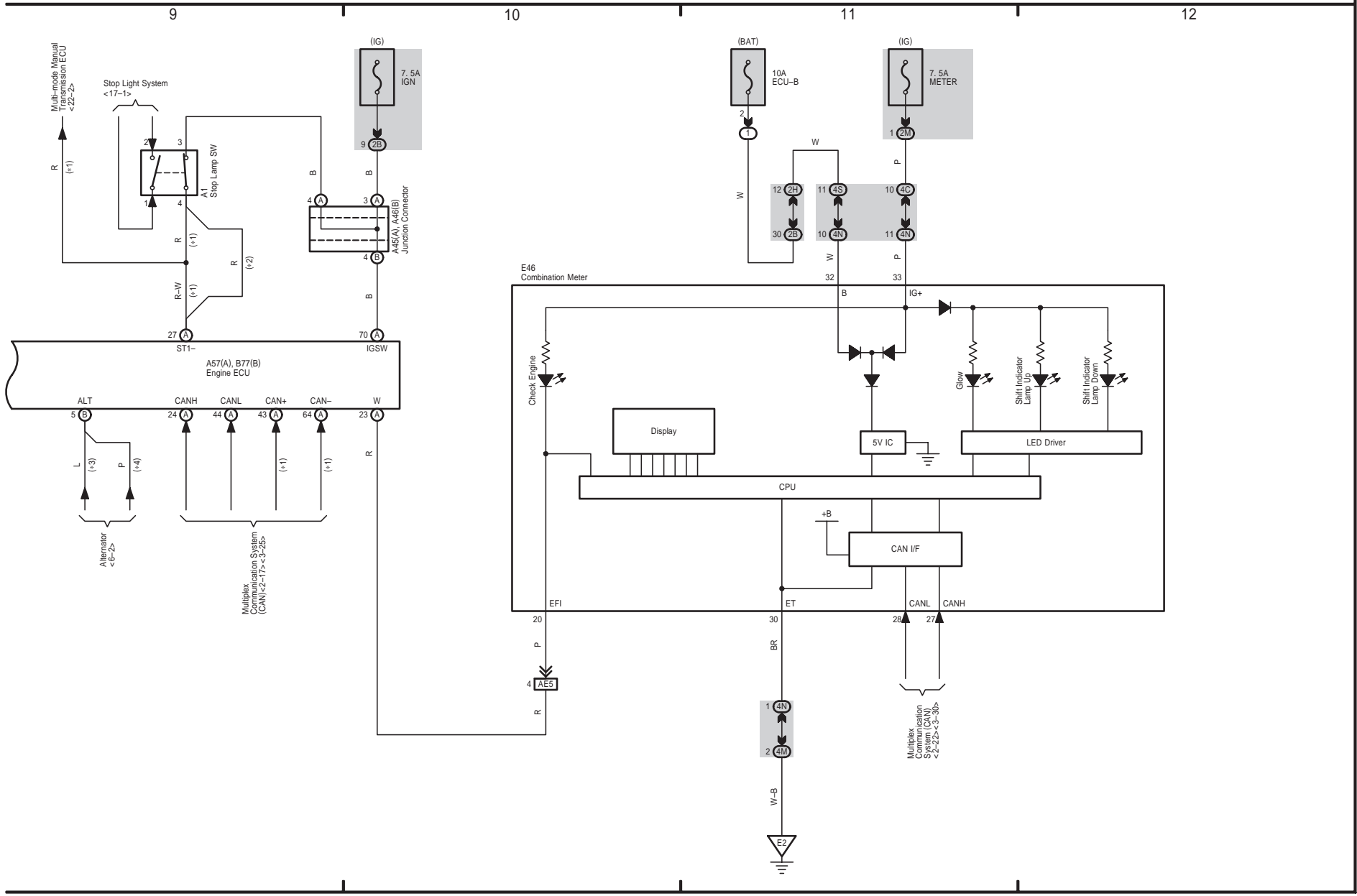
COROLLA / AURIS (EM04F1E)

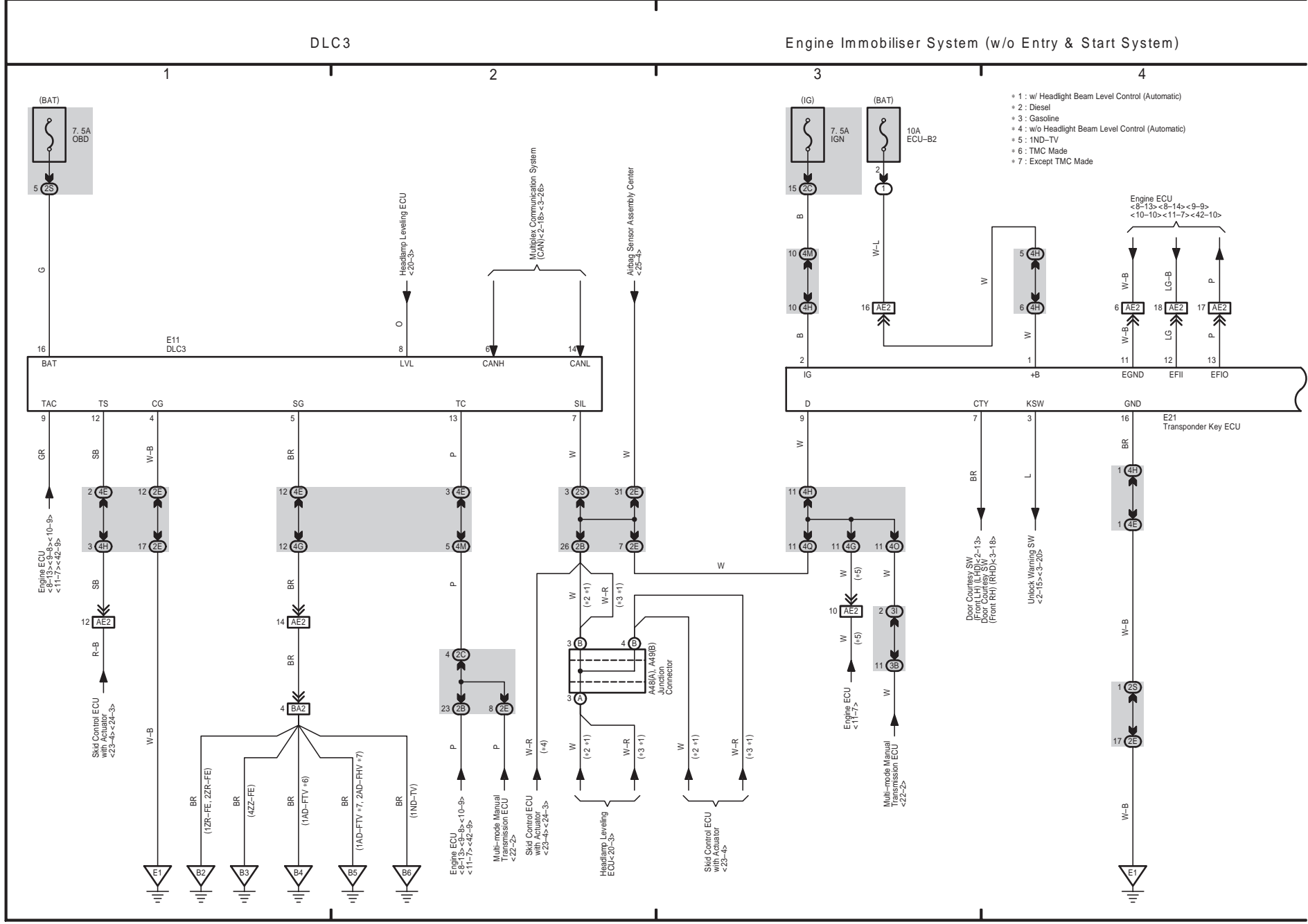


11 COROLLA / AURIS (Cont' d)

Engine Control (1ND-TV)

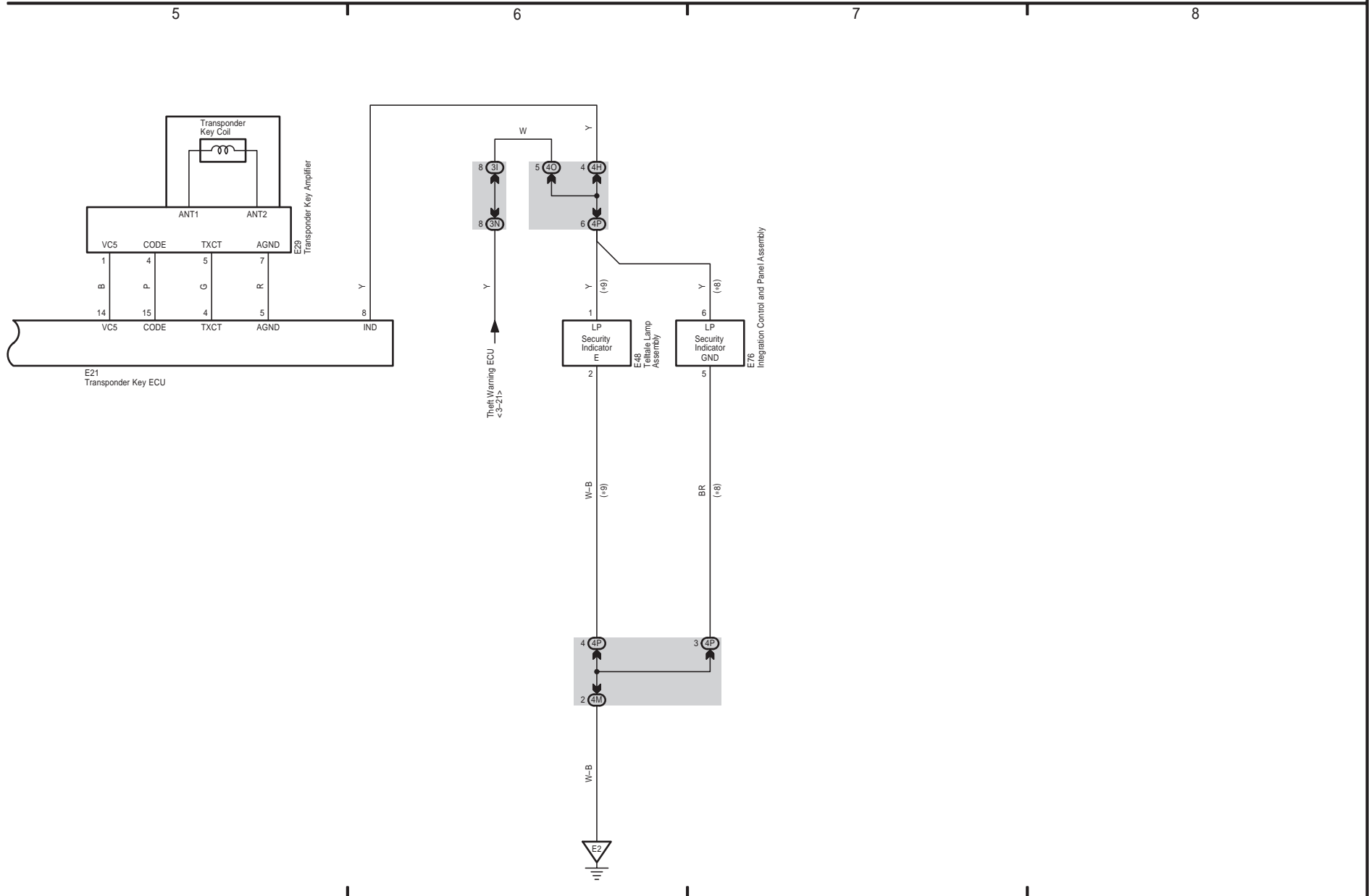
- * 1 : Multi-mode Manual Transmission
- * 2 : Except Multi-mode Manual Transmission
- * 3 : TMC Made
- * 4 : Except TMC Made





Engine Immobiliser System (w/o Entry & Start System)

• 8 : H/B Automatic A/C
 • 9 : S/D, H/B Except Automatic A/C

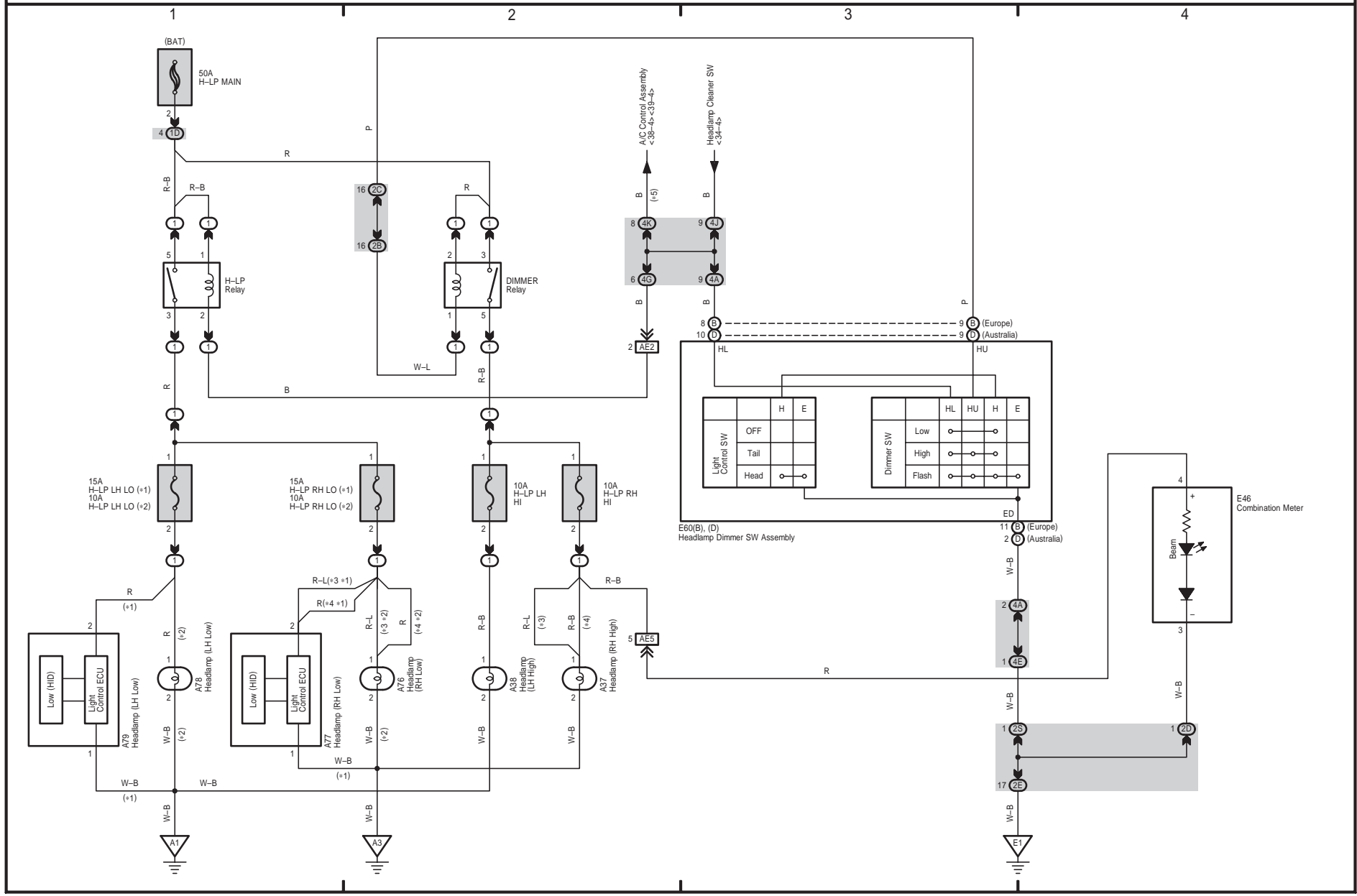


COROLLA / AURIS (EM04F1E)



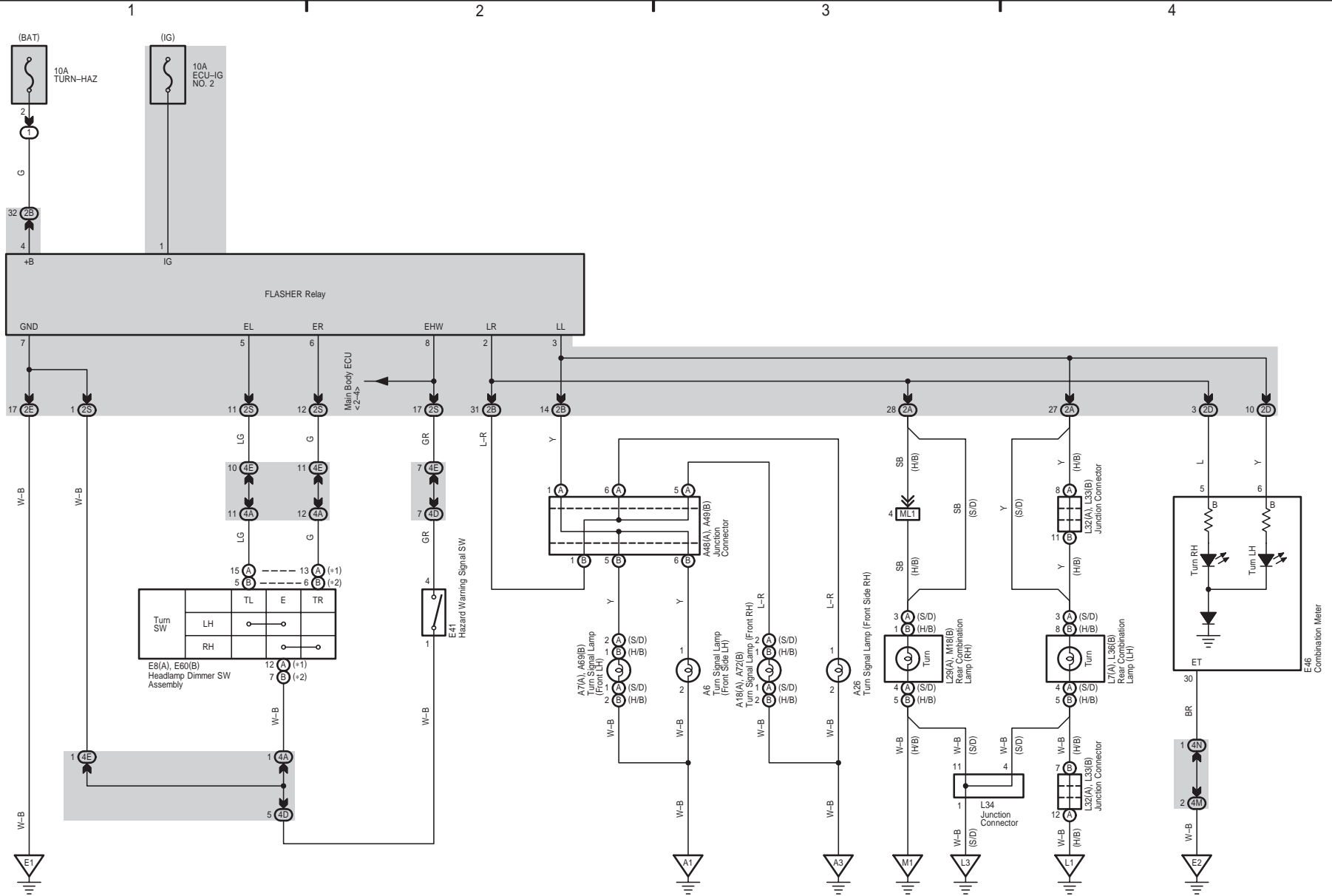
Headlight (w/o Automatic Light Control w/o Daytime Running Light)

- * 1 : HID Type
- * 2 : Except HID Type
- * 3 : 1AD-FTV, 2AD-FHV
- * 4 : Except *3
- * 5 : w/ PTC Heater



Turn Signal and Hazard Warning Light (LHD)

* 1 : w/ Automatic Light Control, w/ Daytime Running Light
 * 2 : Except *1



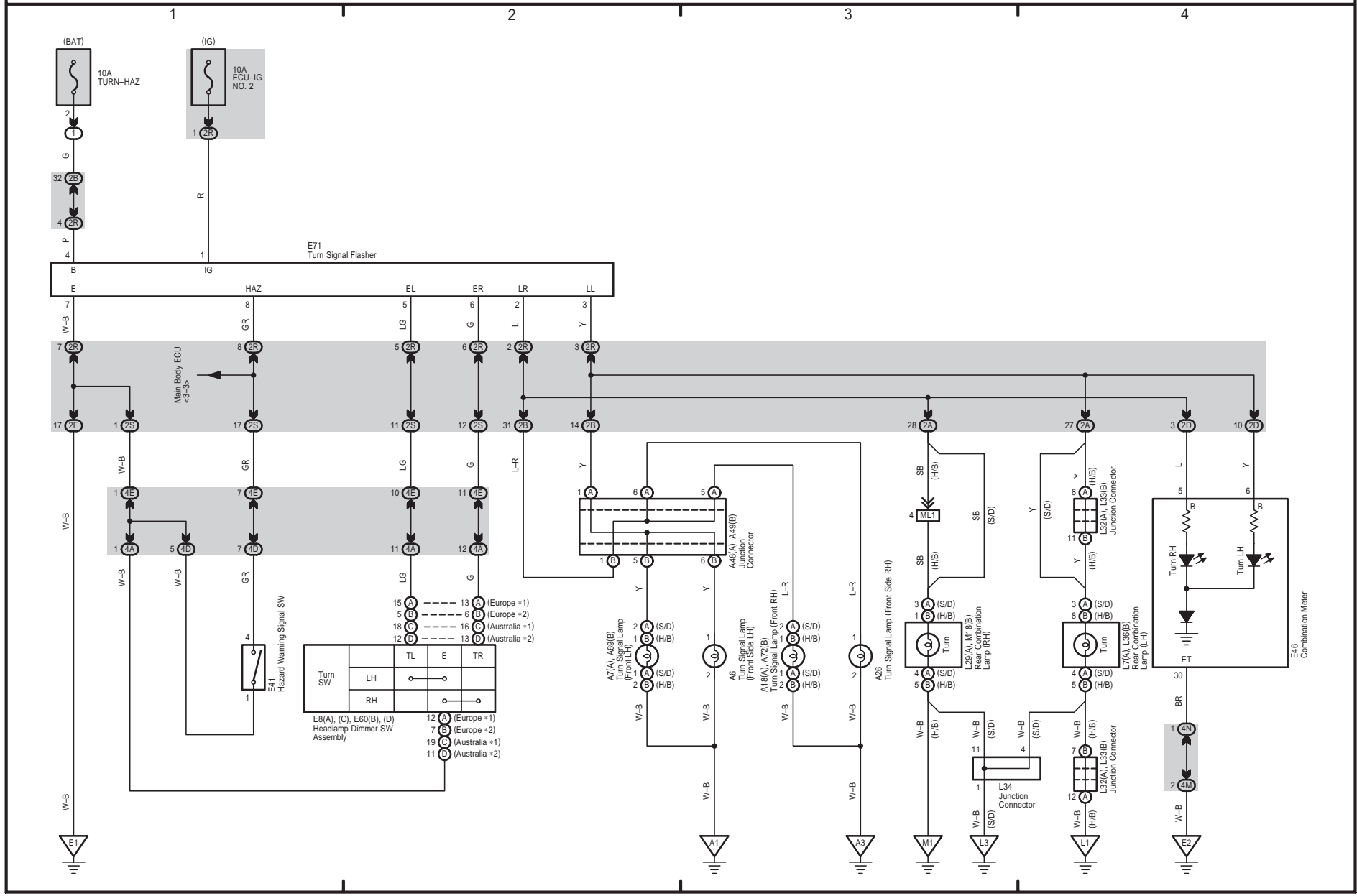
COROLLA / AURIS (EM04F1E)



15 COROLLA / AURIS

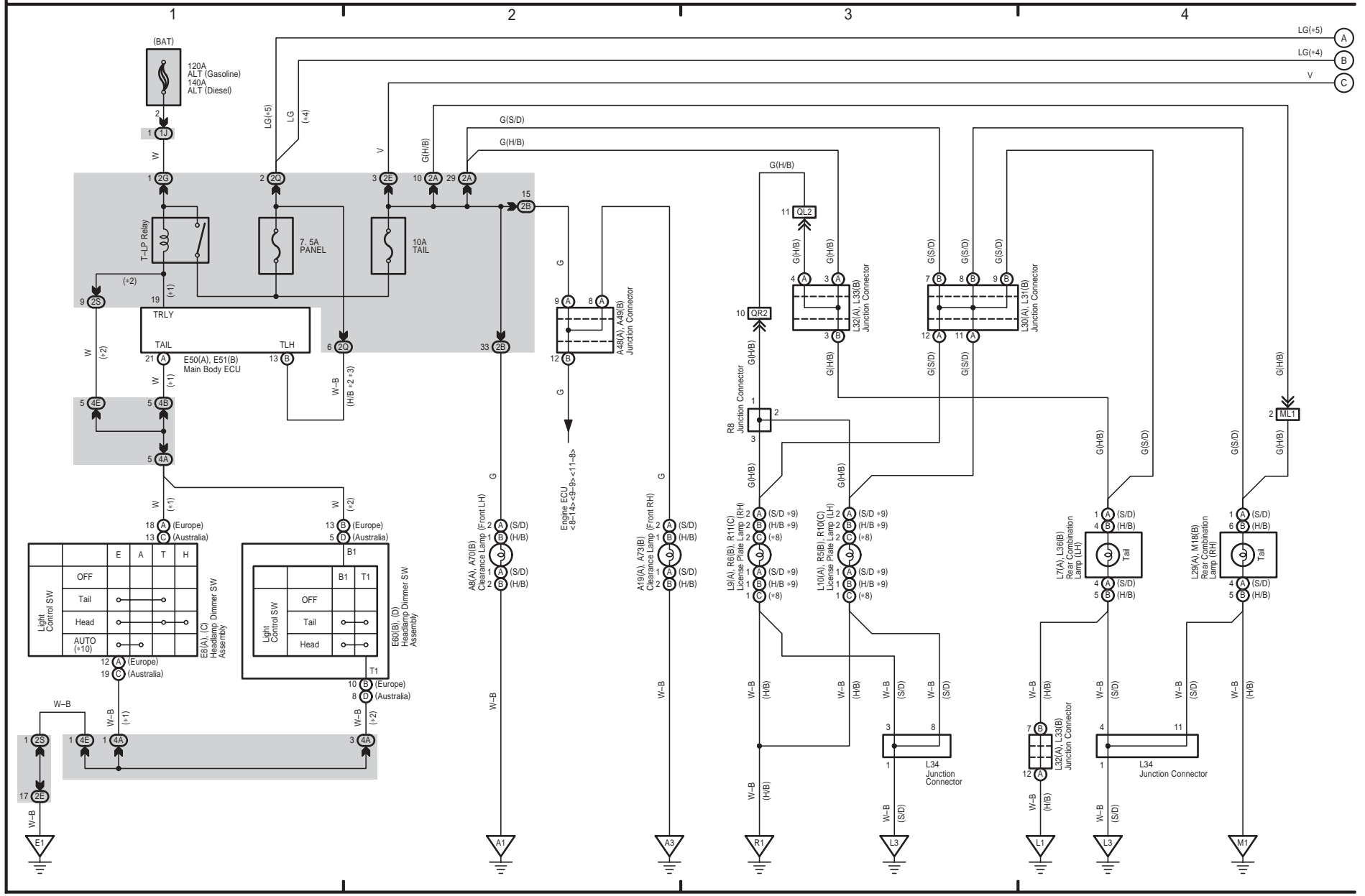
Turn Signal and Hazard Warning Light (RHD)

* 1 : w/ Automatic Light Control
* 2 : Except #1

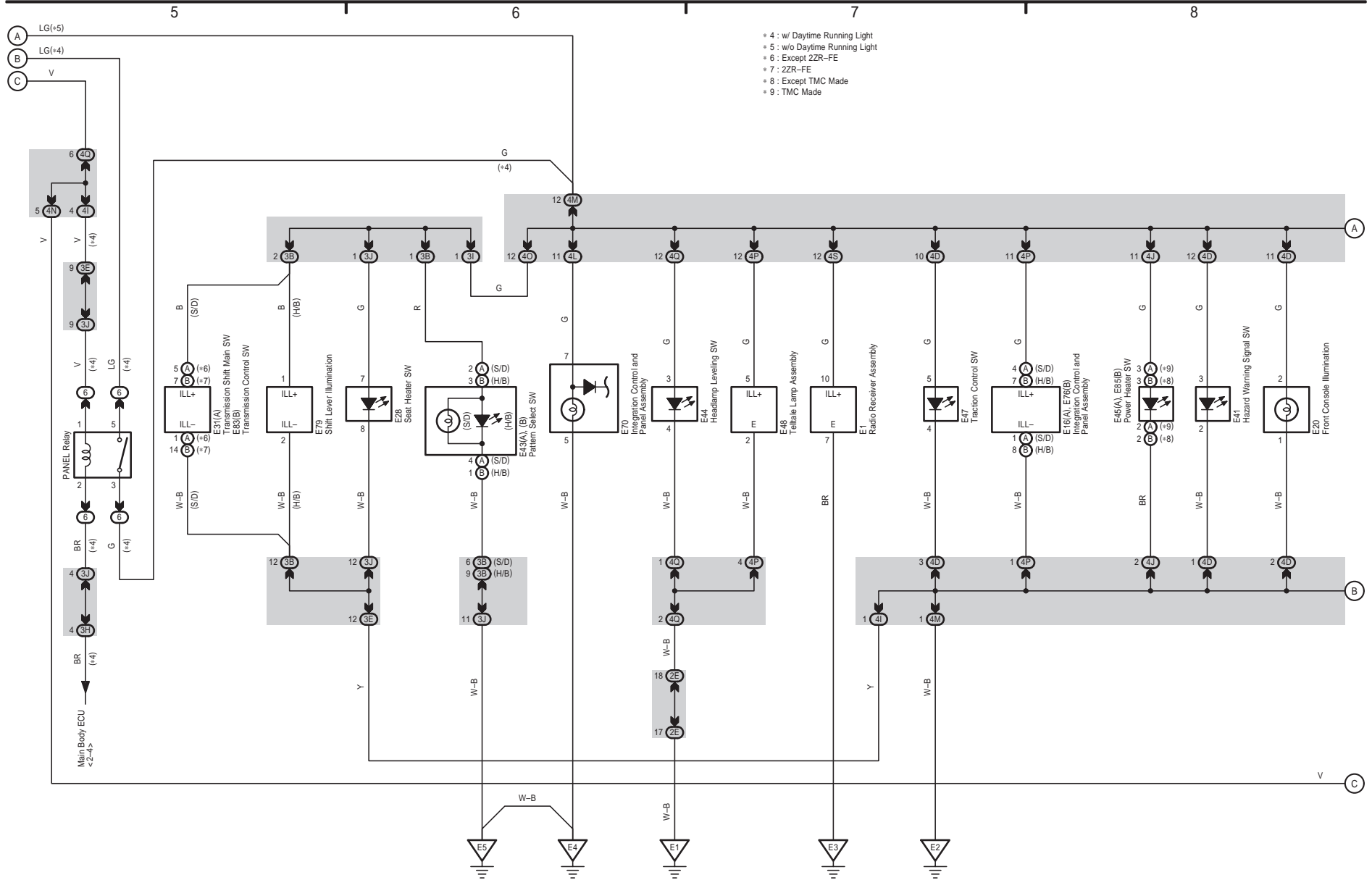


Taillight and Illumination

- * 1 : w/ Automatic Light Control, w/ Daytime Running Light
- * 2 : Except +1
- * 3 : w/ Entry & Start System +2
- * 4 : w/ Daytime Running Light
- * 5 : w/o Daytime Running Light
- * 8 : Except TMC Made
- * 9 : TMC Made
- * 10 : w/ Automatic Light Control



Taillight and Illumination

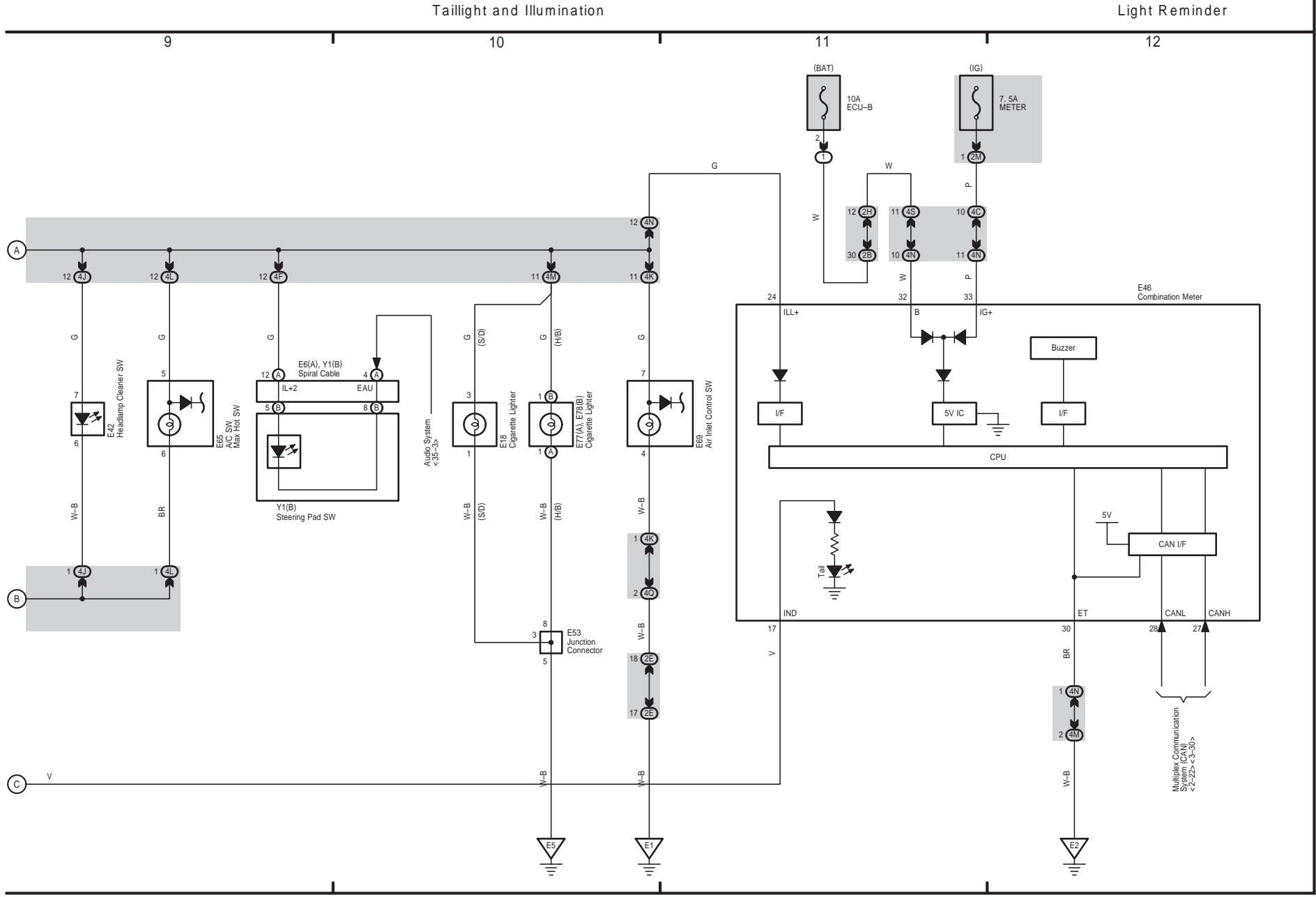


- * 4 : w/ Daytime Running Light
- * 5 : w/o Daytime Running Light
- * 6 : Except 2ZR-FE
- * 7 : 2ZR-FE
- * 8 : Except TMC Made
- * 9 : TMC Made

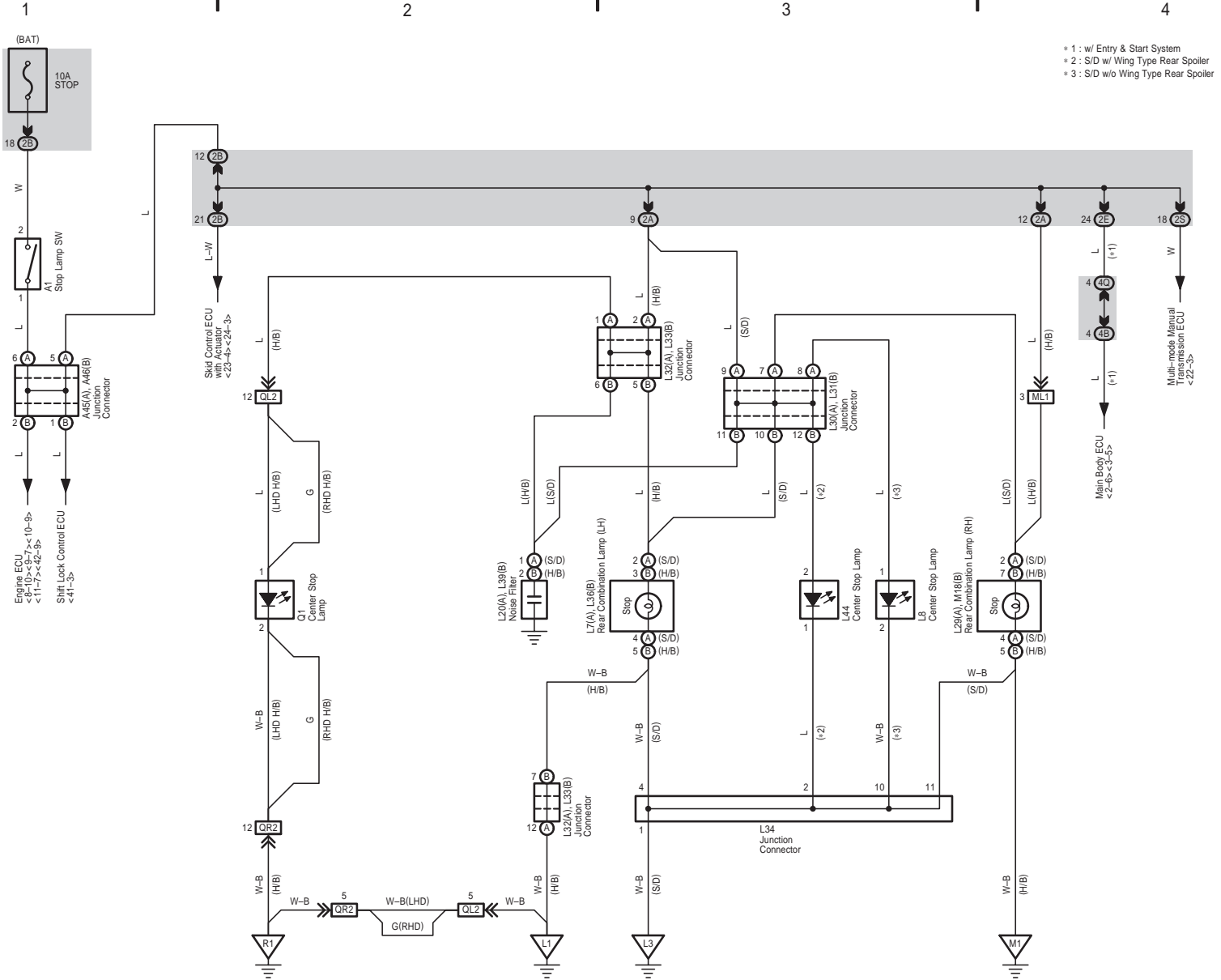
COROLLA / AURIS (EM04F1E)



16 COROLLA / AURIS (Cont' d)



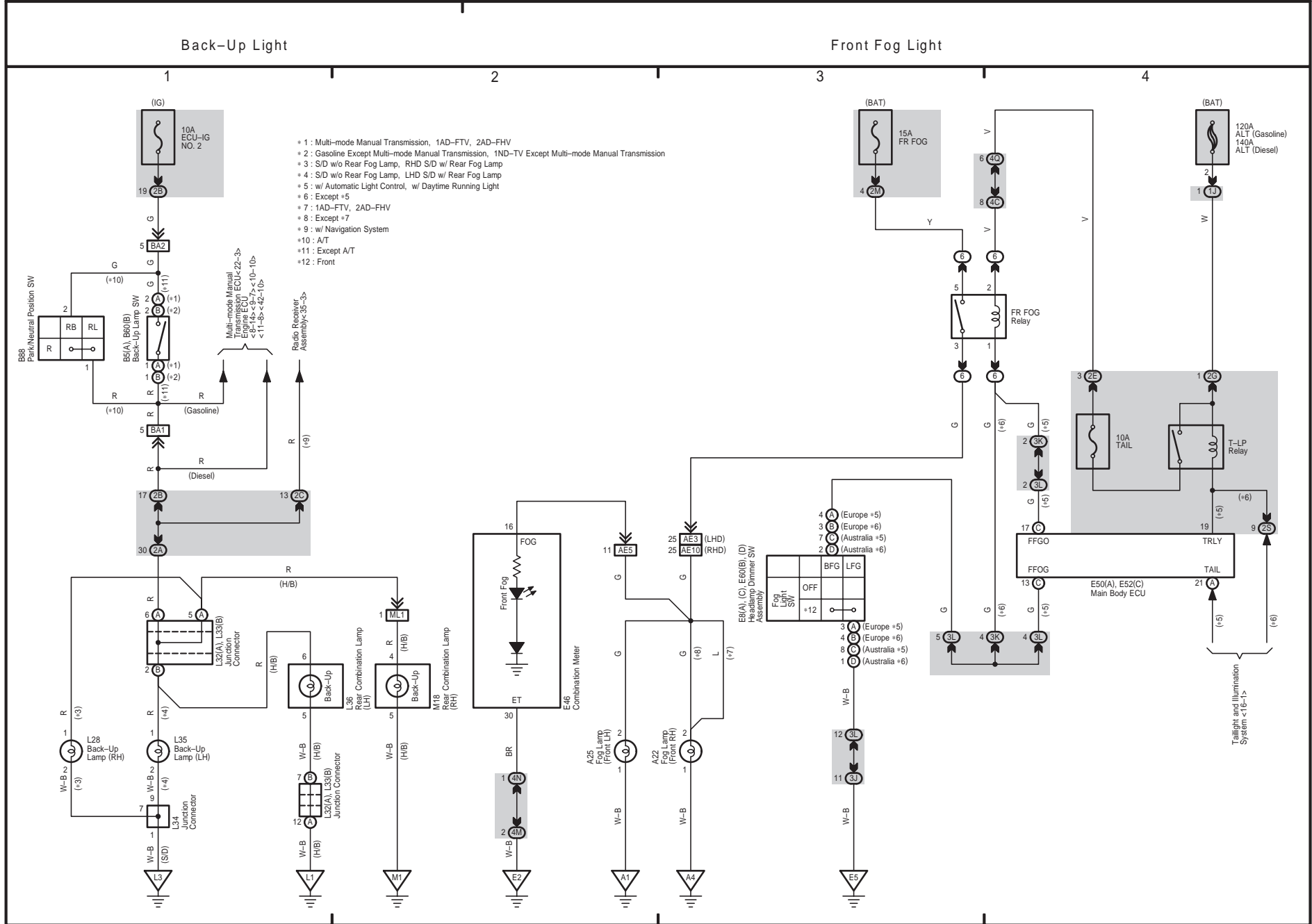
Stop Light



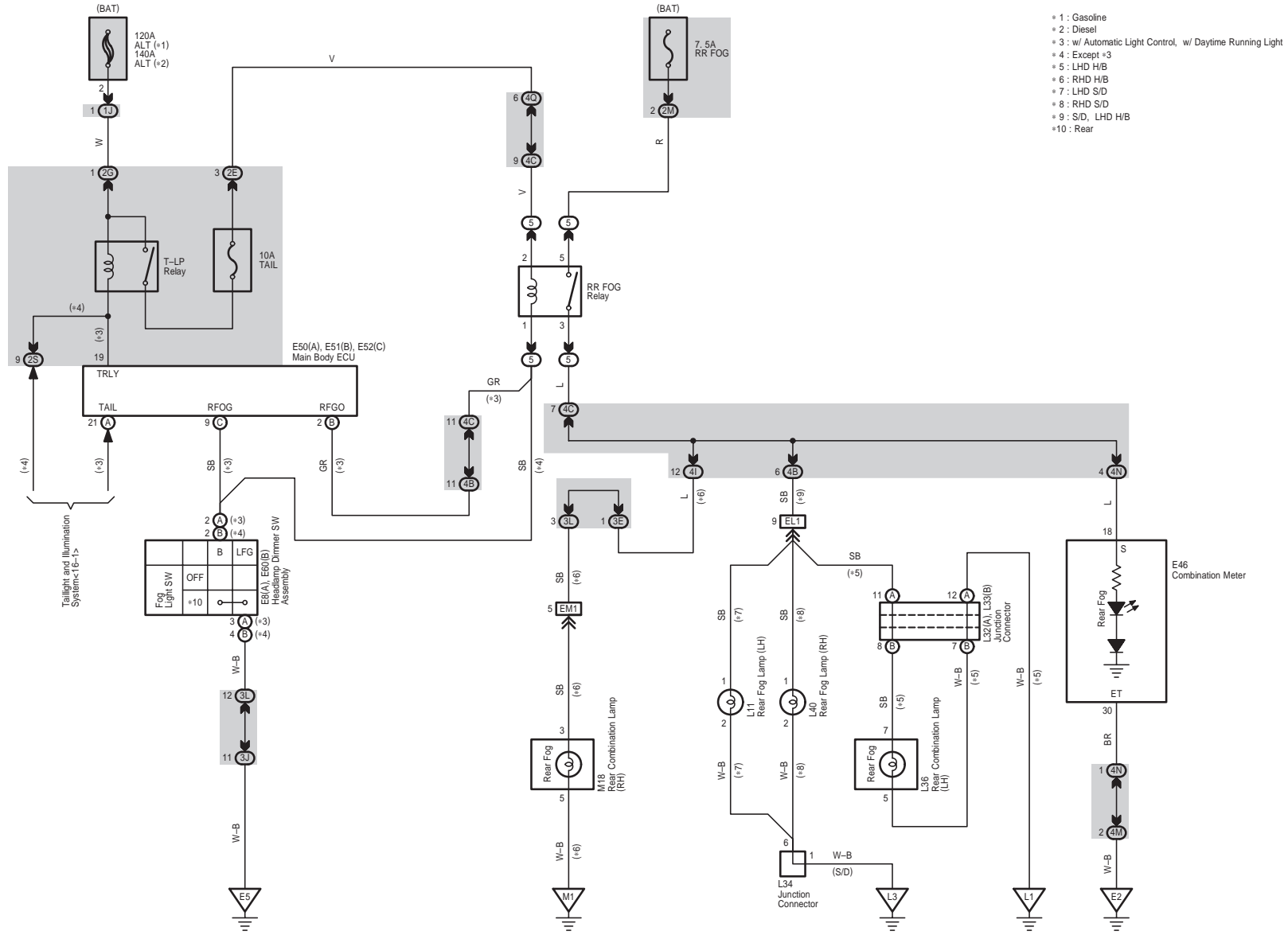
- * 1 : w/ Entry & Start System
- * 2 : S/D w/ Wing Type Rear Spoiler
- * 3 : S/D w/o Wing Type Rear Spoiler



18 COROLLA / AURIS



Rear Fog Light



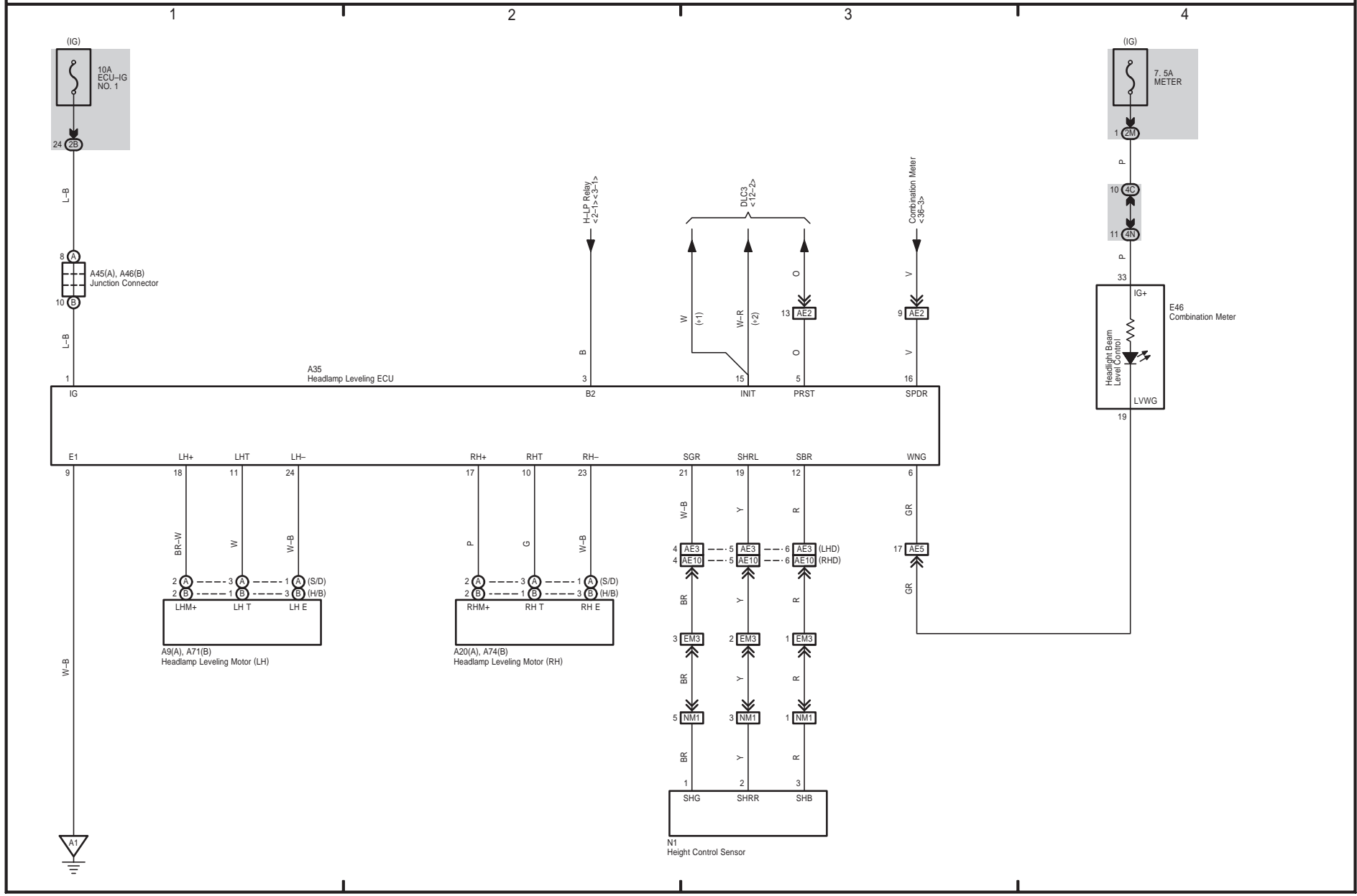
- * 1 : Gasoline
- * 2 : Diesel
- * 3 : w/ Automatic Light Control, w/ Daytime Running Light
- * 4 : Except +3
- * 5 : LHD H/B
- * 6 : RHD H/B
- * 7 : LHD S/D
- * 8 : RHD S/D
- * 9 : S/D, LHD H/B
- * 10 : Rear



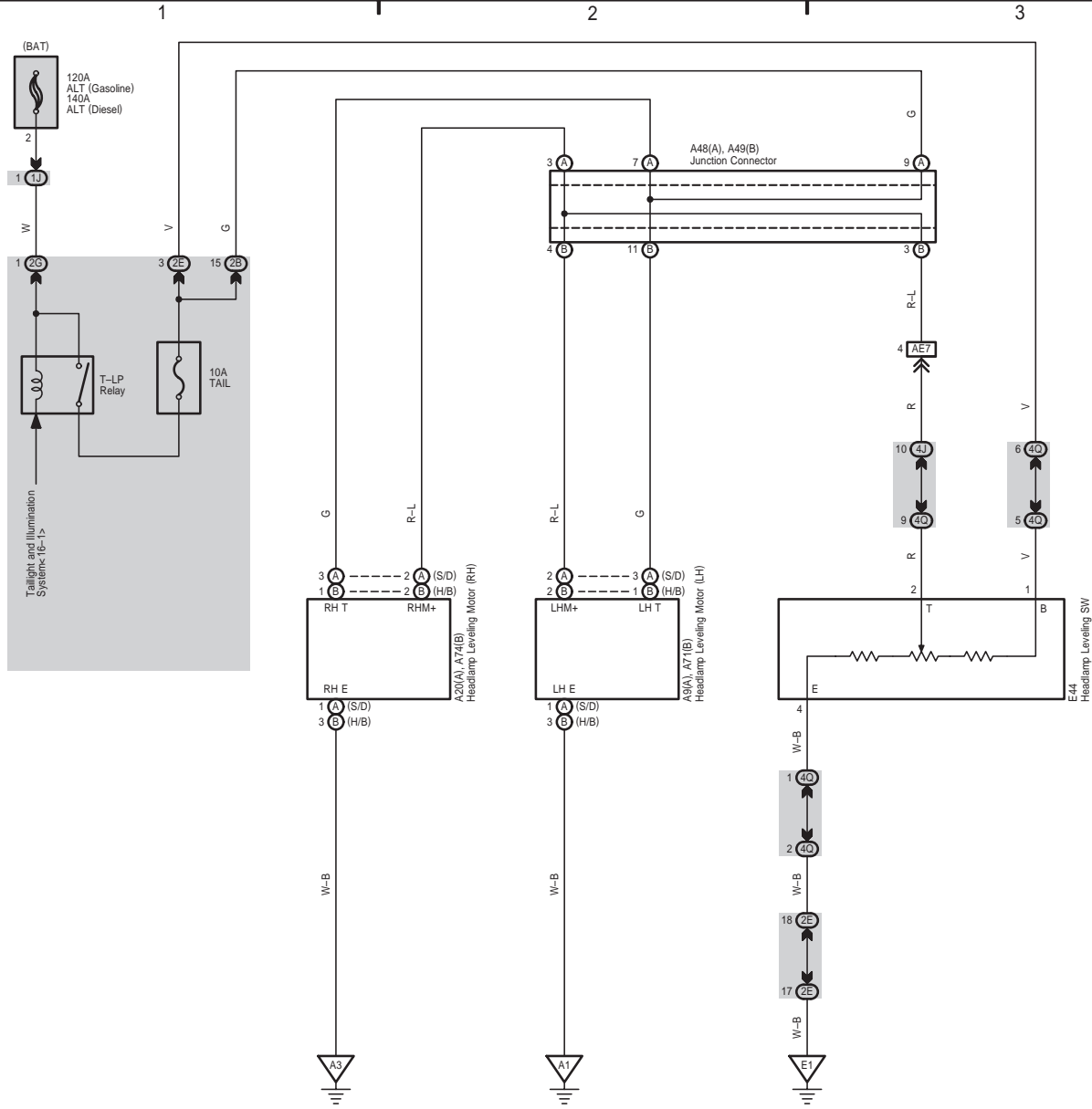
20 COROLLA / AURIS

Headlight Beam Level Control (Automatic)

* 1 : Diesel
* 2 : Gasoline

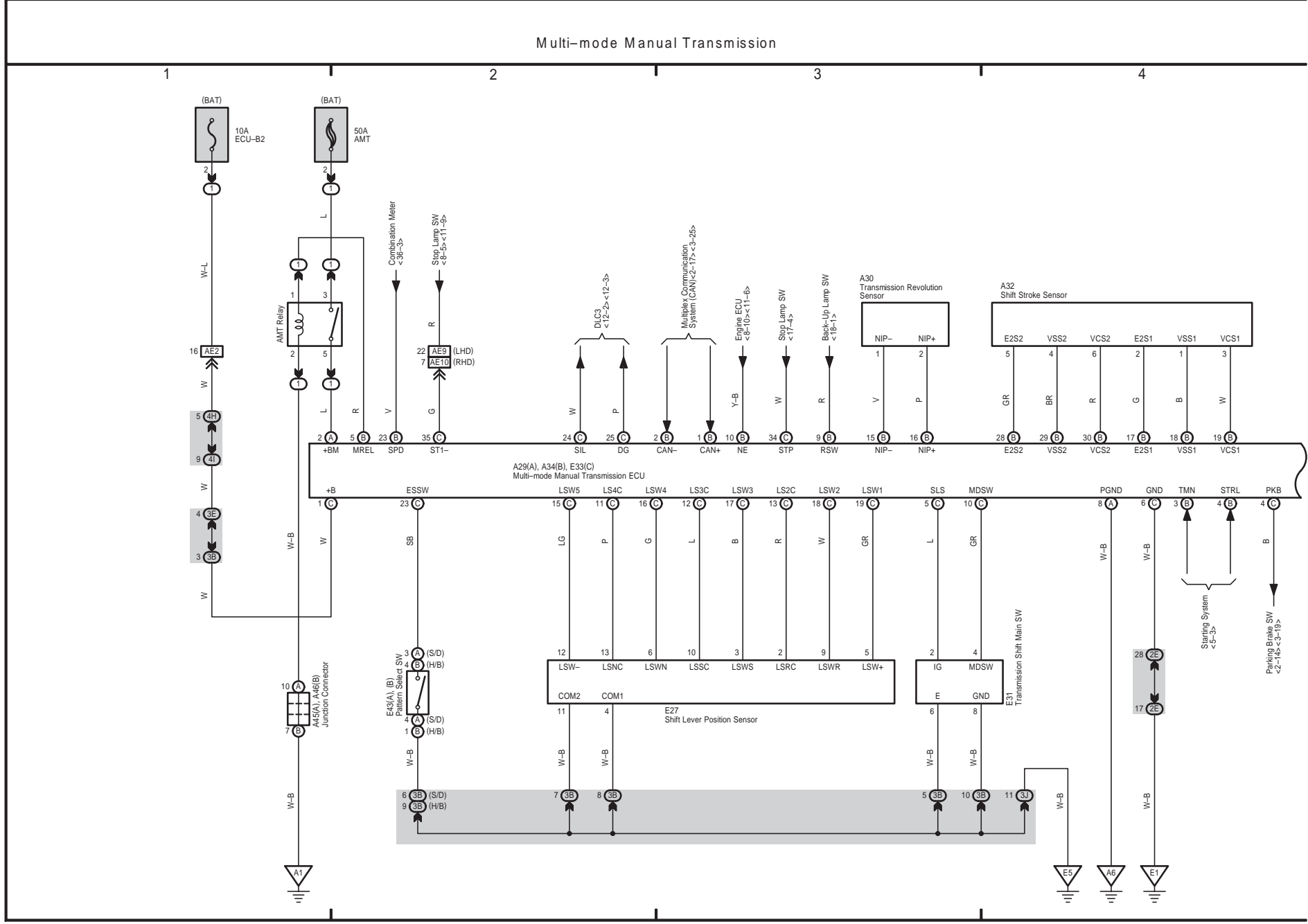


Headlight Beam Level Control (Manual)



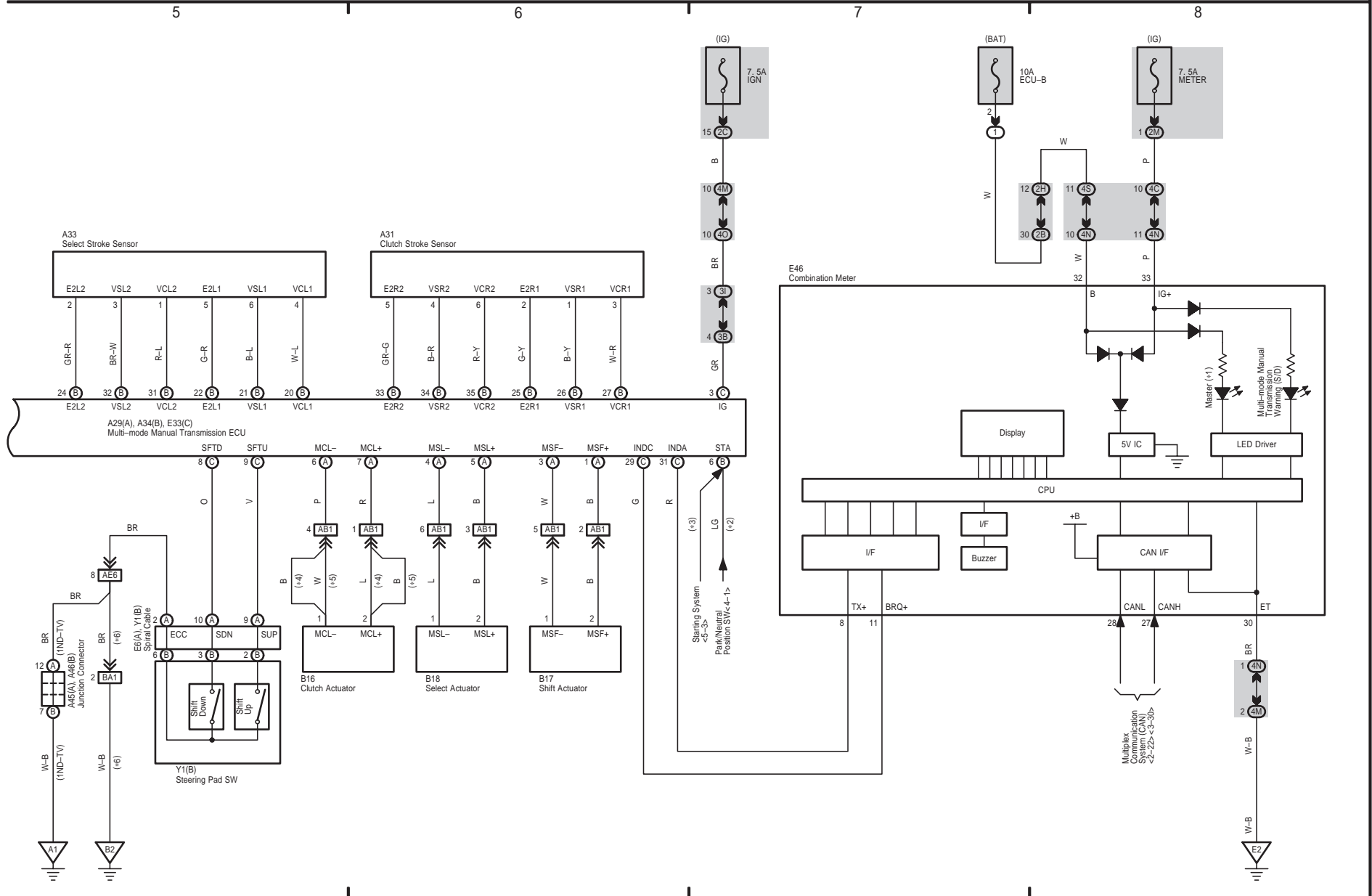
COROLLA / AURIS (EM04F1E)





Multi-mode Manual Transmission

- * 1 : Optitron Meter
- * 2 : w/ Entry & Start System
- * 3 : w/o Entry & Start System
- * 4 : TMC Made
- * 5 : Except TMC Made
- * 6 : 1ZR-FE, 2ZR-FE

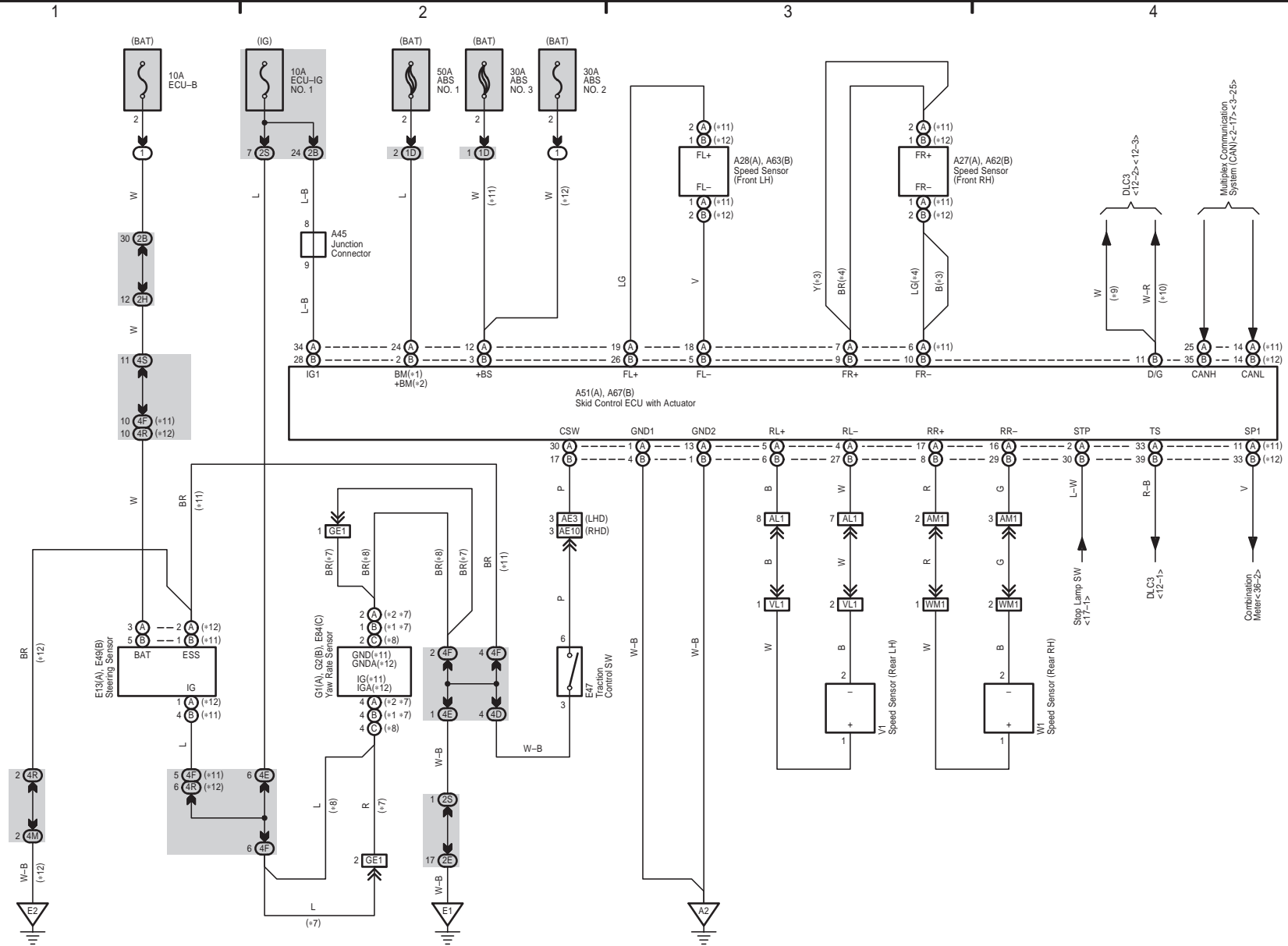


COROLLA / AURIS (EM04F1E)

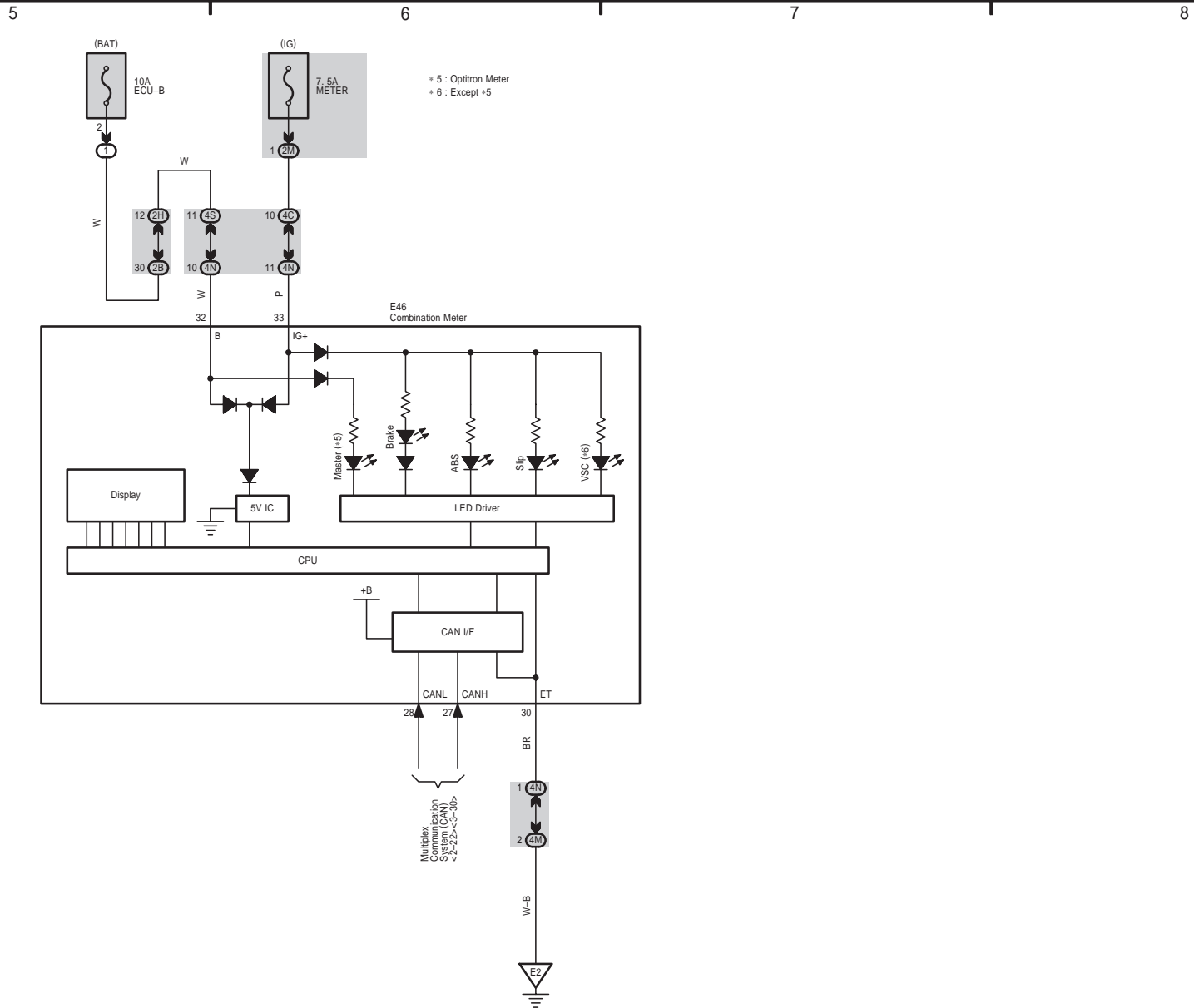


ABS (w/ VSC), TRC and VSC

- * 1 : Gasoline
- * 2 : Diesel
- * 3 : 1AD-FTV, 2AD-FHV
- * 4 : Except +3
- * 7 : TMC Made
- * 8 : Except TMC Made
- * 9 : Diesel w/ Headlight Beam Level Control (Automatic)
- * 10 : Except +9
- * 11 : TMC Made Gasoline
- * 12 : Except +11



ABS (w/ VSC), TRC and VSC



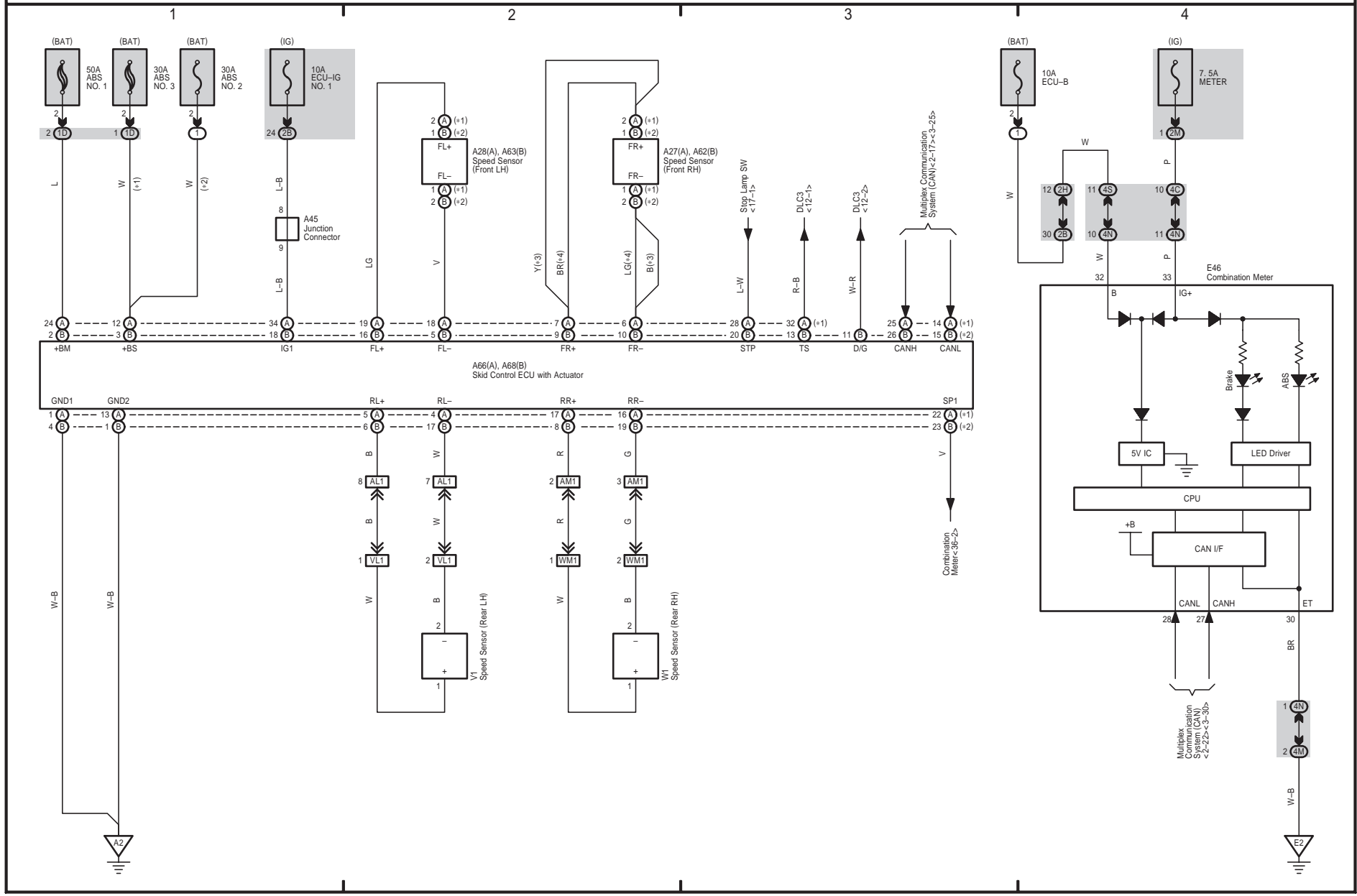
COROLLA / AURIS (EM04F1E)



24 COROLLA / AURIS

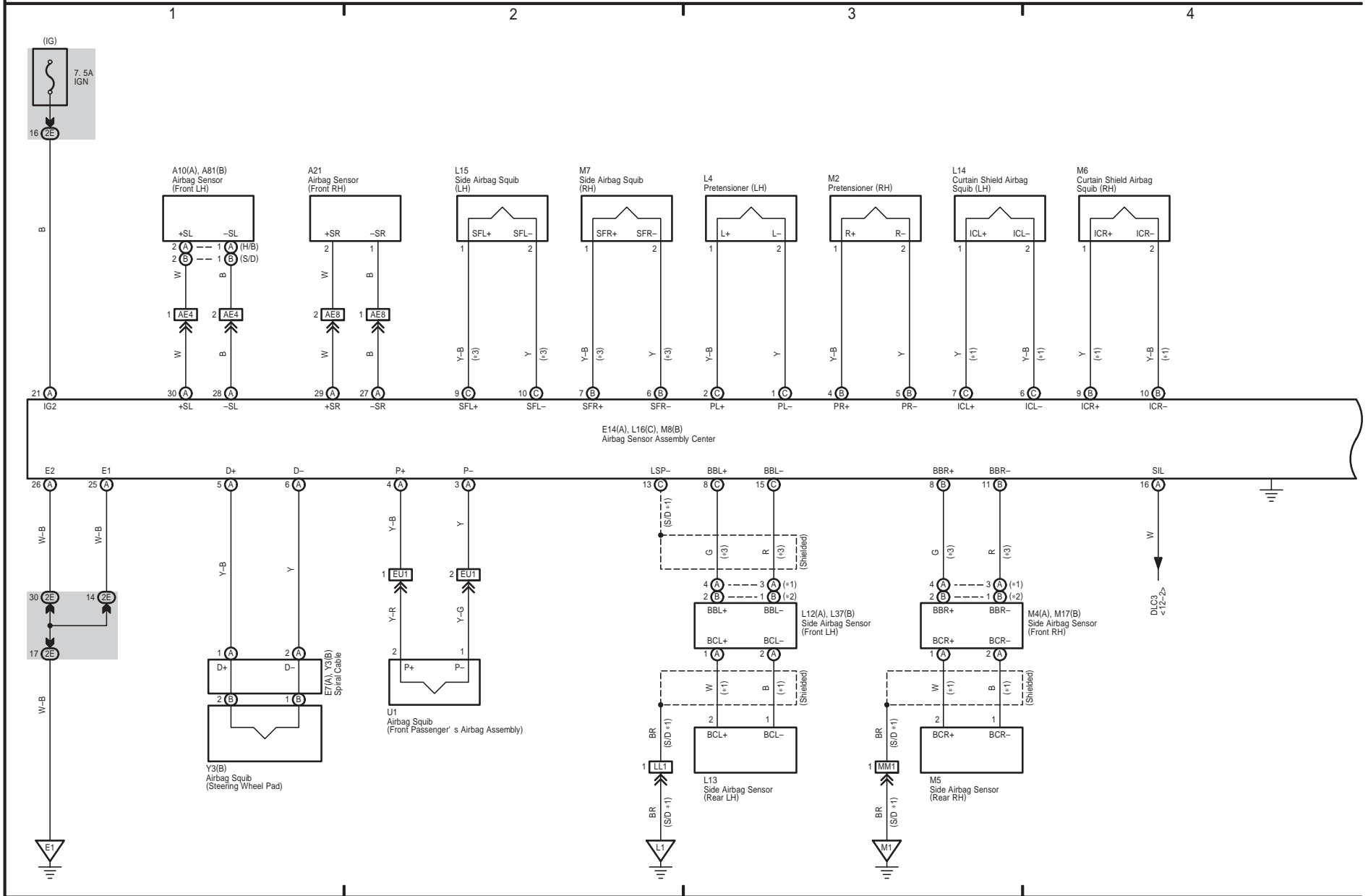
ABS (w/o VSC)

- * 1 : TMC Made Gasoline
- * 2 : Except #1
- * 3 : 1AD-FTV, 2AD-FHV
- * 4 : Except #3



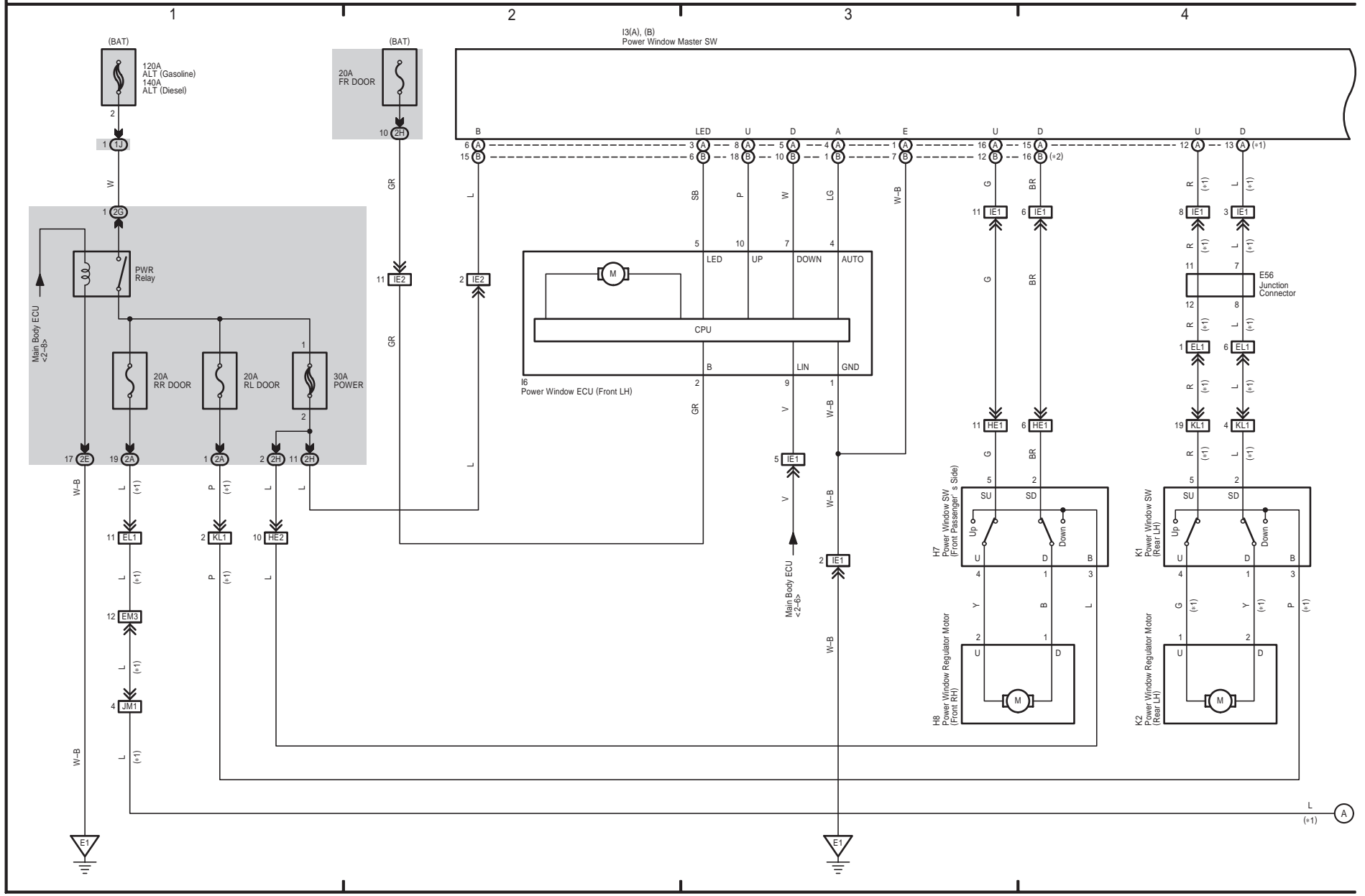
SRS

- * 1 : w/ Side Airbag w/ Curtain Shield Airbag
- * 2 : w/ Side Airbag w/o Curtain Shield Airbag
- * 3 : w/ Side Airbag



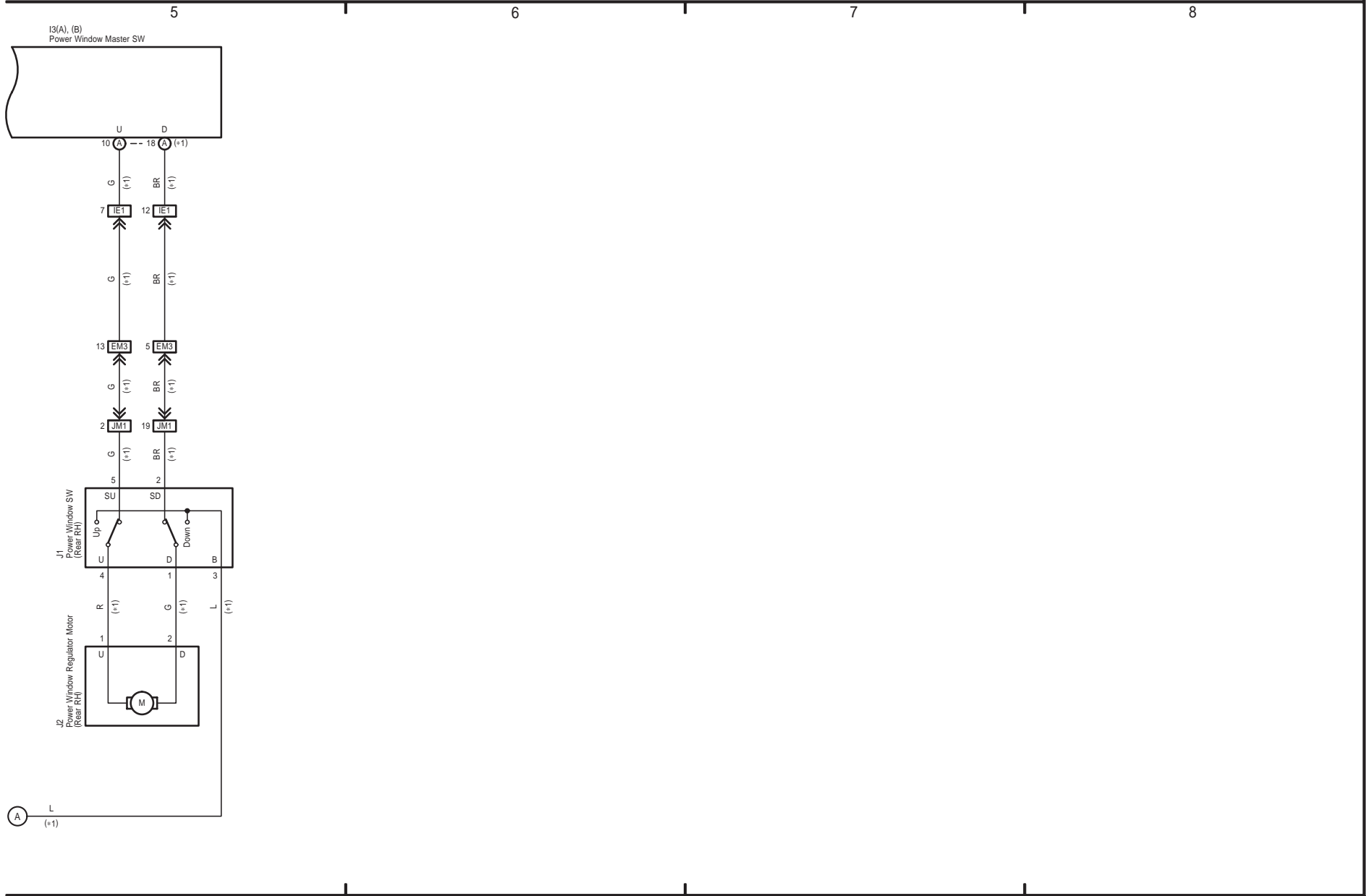
Power Window (LHD)

* 1 : w/ Rear Power Window
* 2 : w/o Rear Power Window



Power Window (LHD)

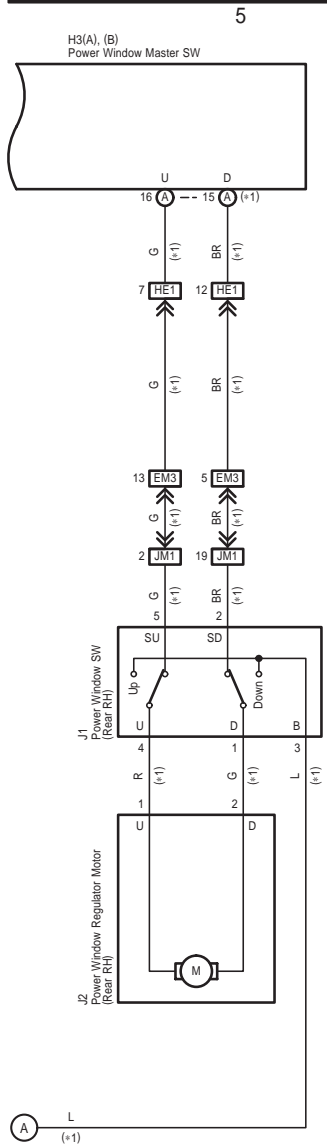
* 1 : w/ Rear Power Window



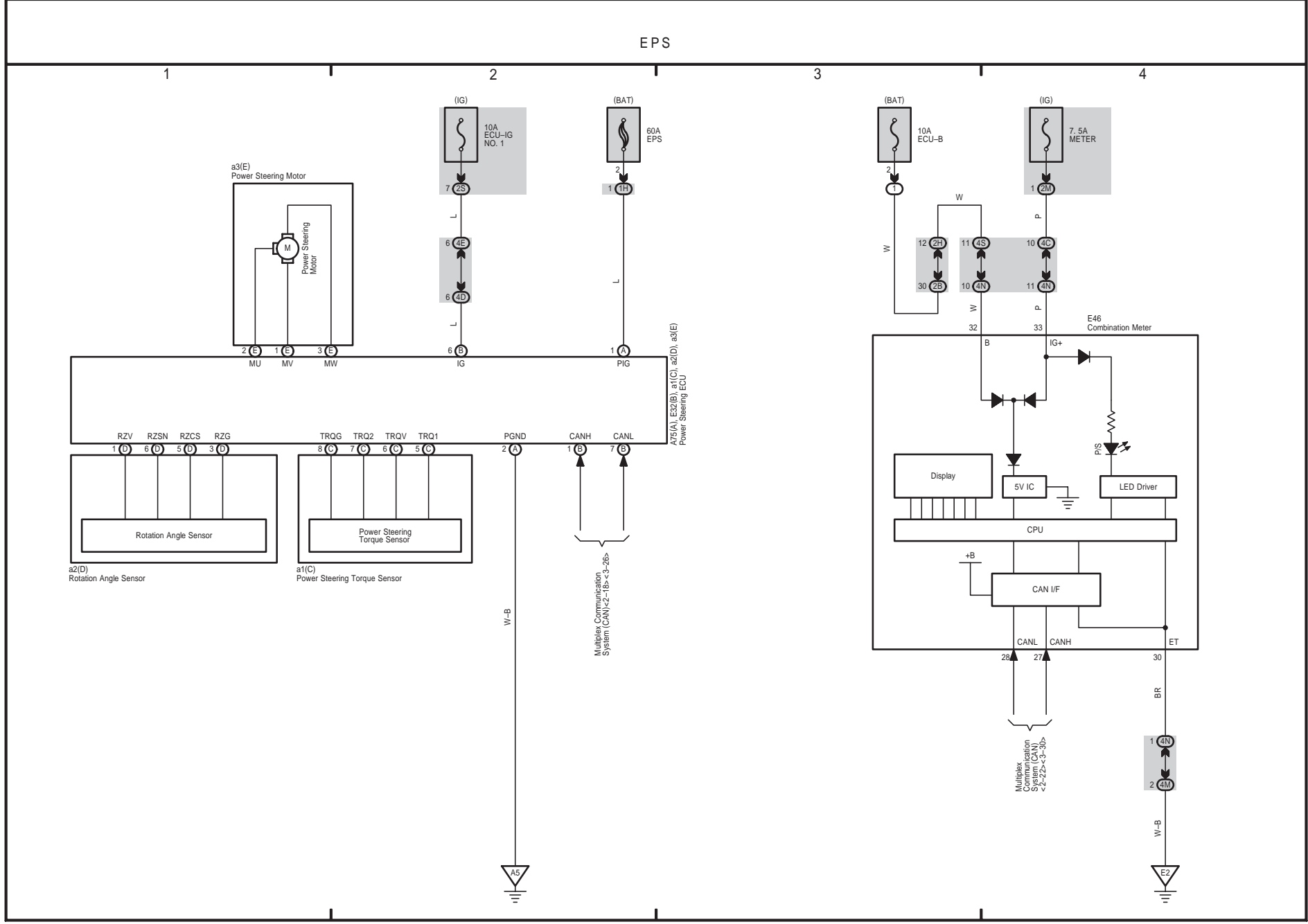
COROLLA / AURIS (EM04F1E)

Power Window (RHD)

* 1 : w/ Rear Power Window

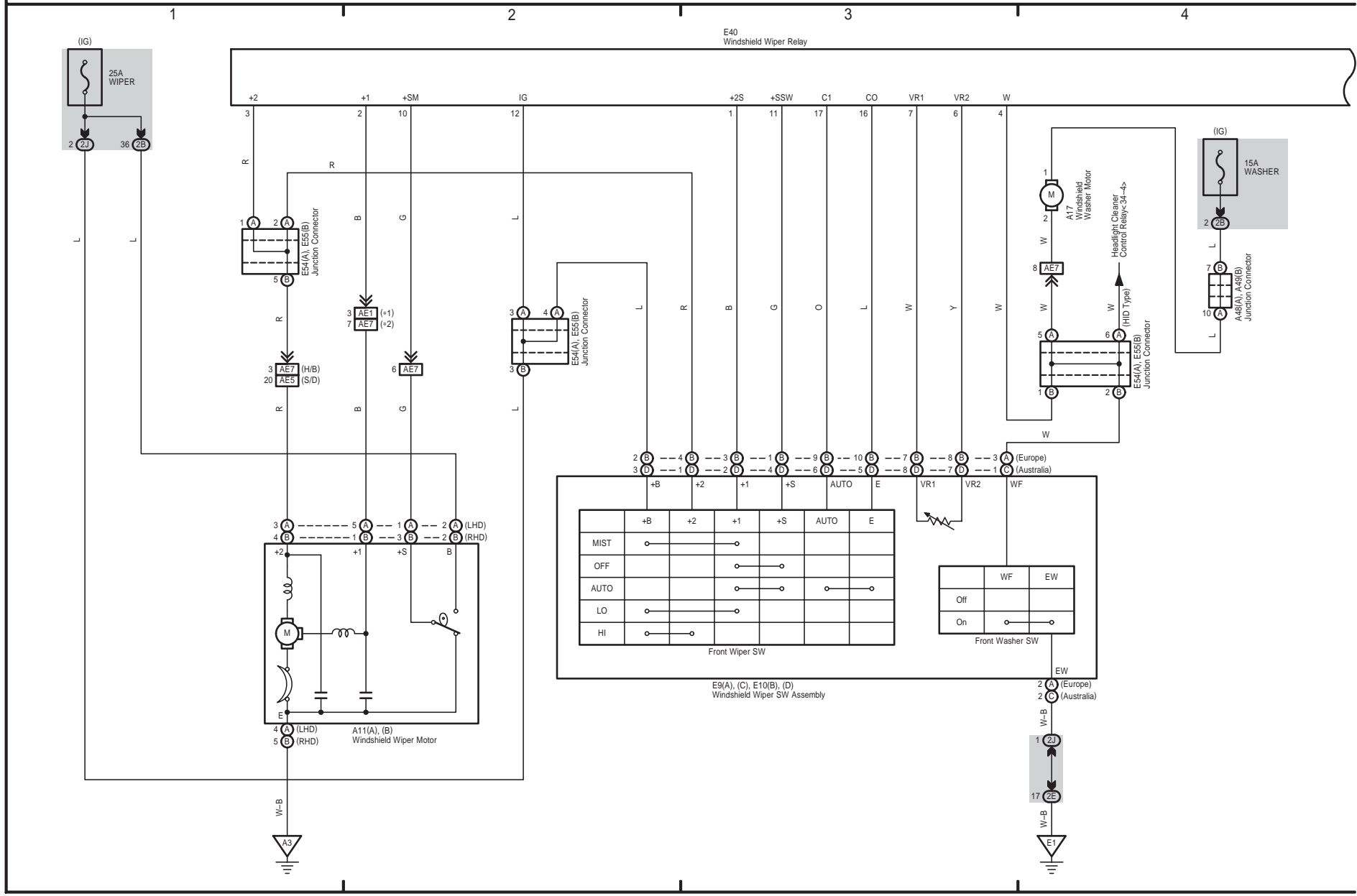


COROLLA / AURIS (EM04F1E)

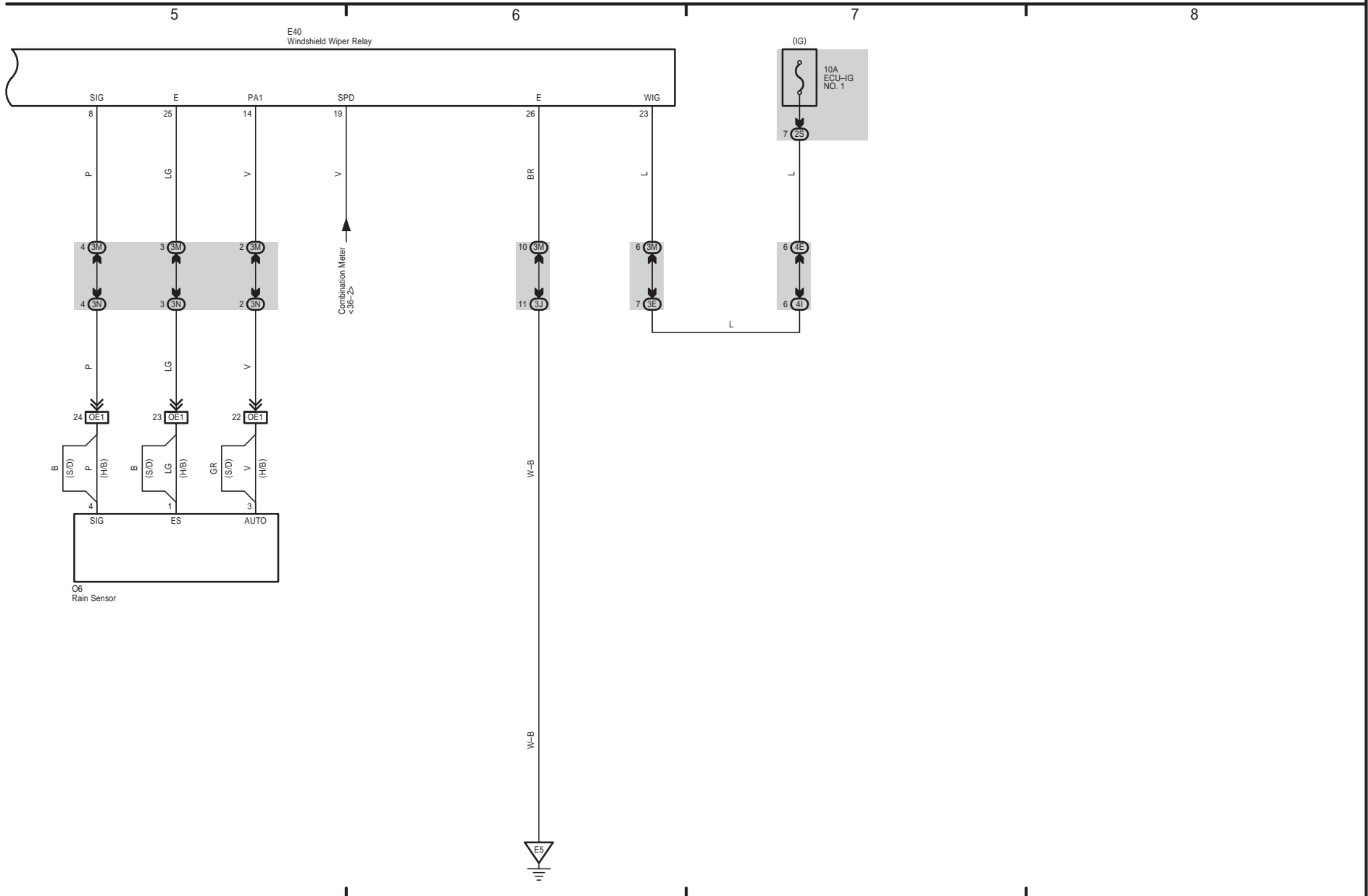


Front Wiper and Washer (w/ Auto Wiper System)

- * 1 : LHD, RHD S/D
- * 2 : RHD H/B



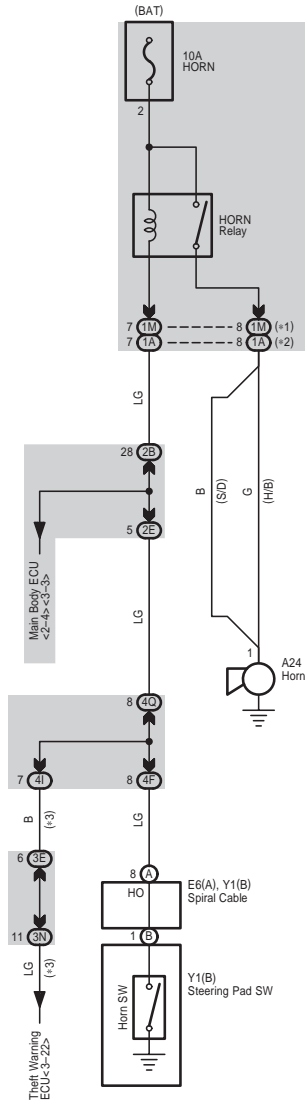
Front Wiper and Washer (w/ Auto Wiper System)



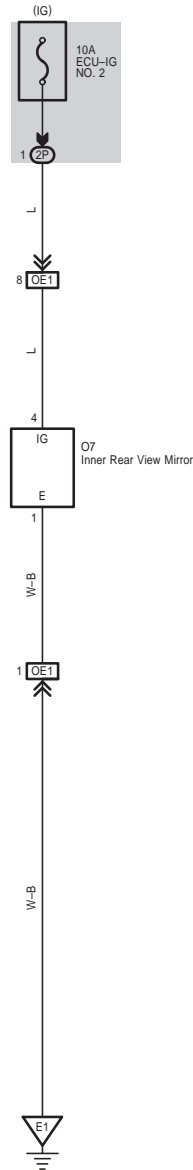
COROLLA / AURIS (EM04F1E)



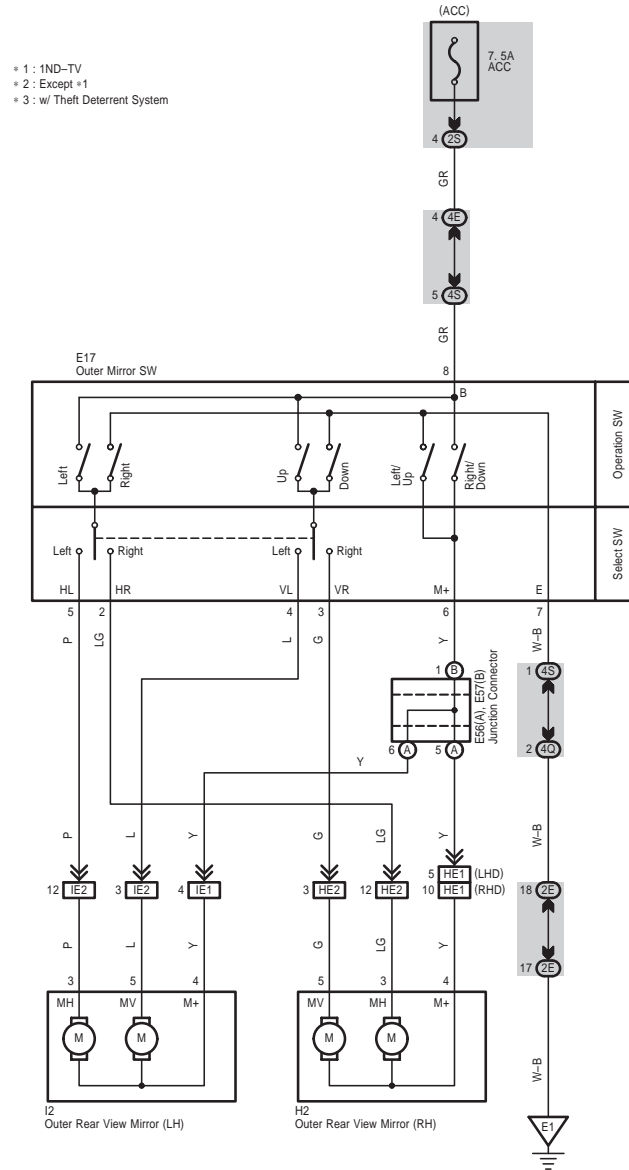
Horn



Automatic Glare-Resistant EC Mirror

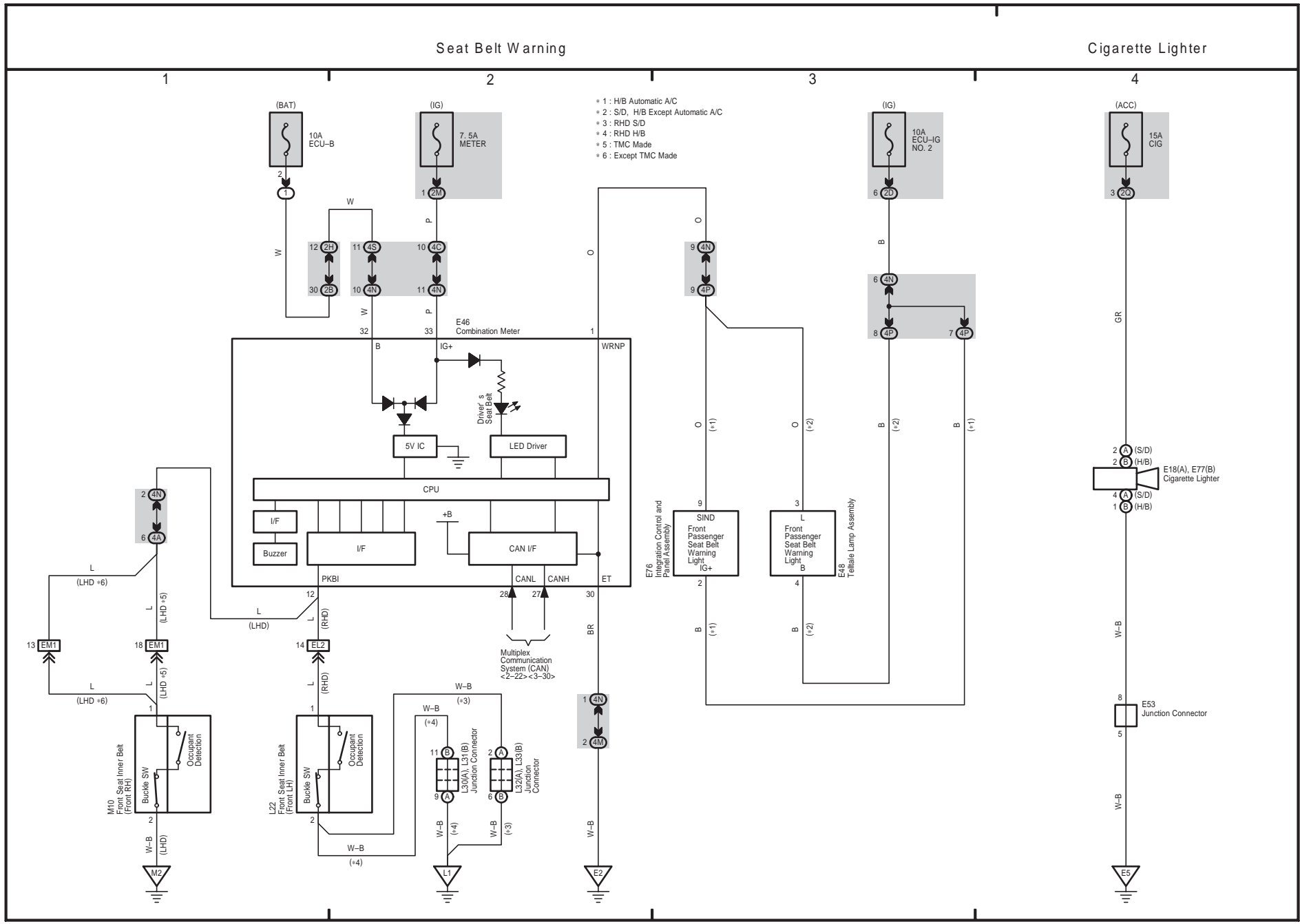


Remote Control Mirror

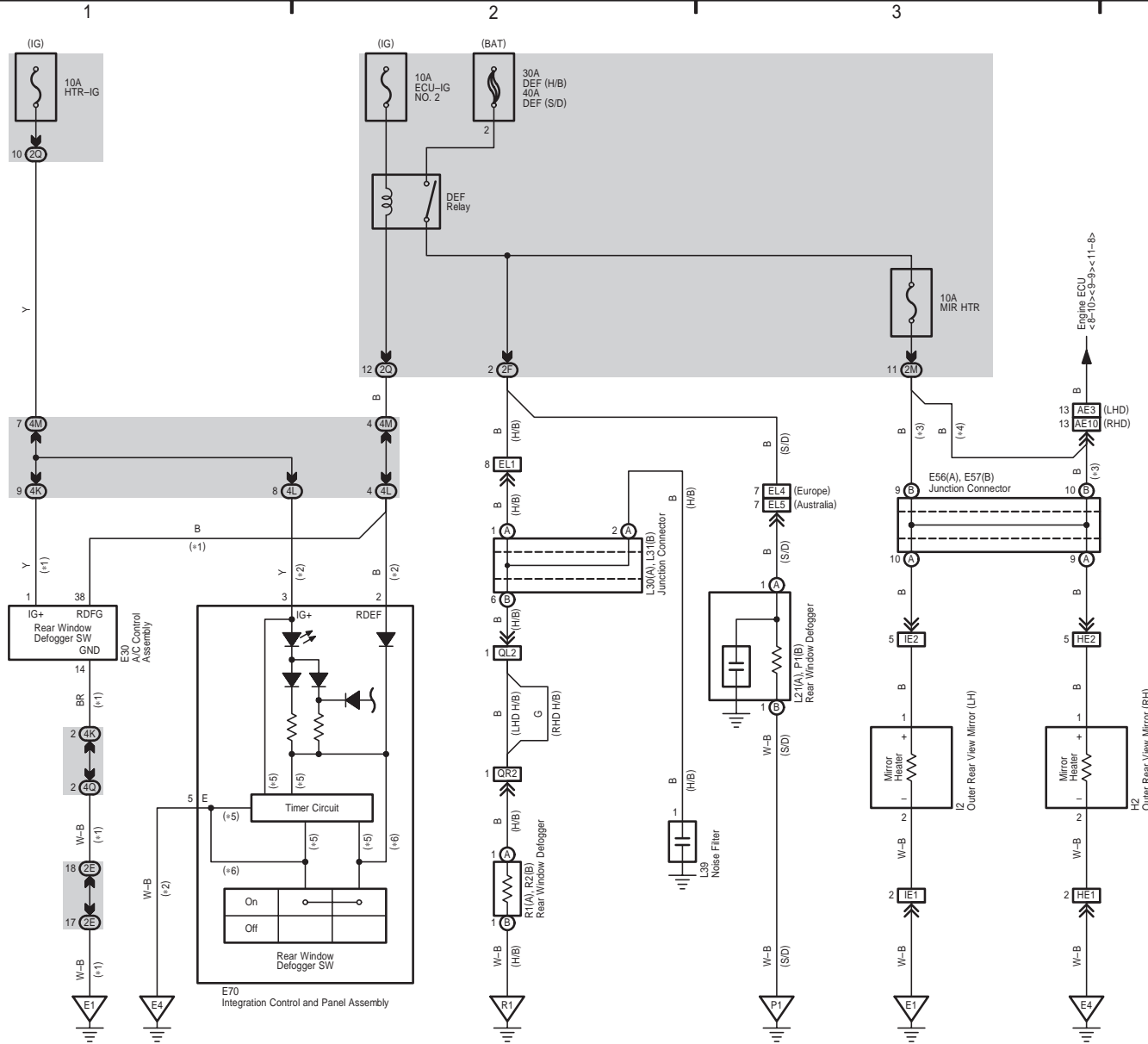


- * 1 : 1ND-TV
- * 2 : Except *1
- * 3 : w/ Theft Deterrent System





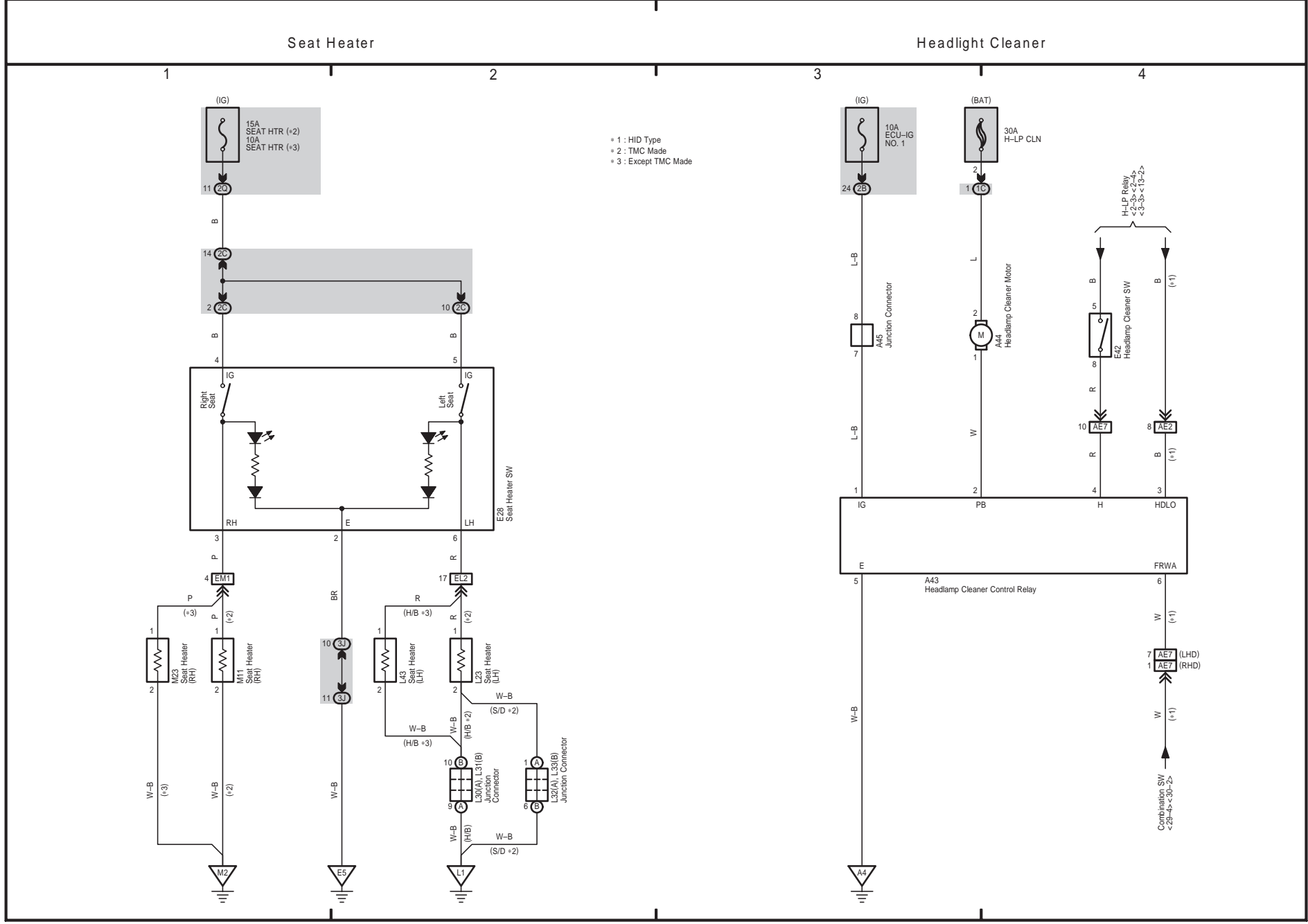
Rear Window Defogger and Mirror Heater



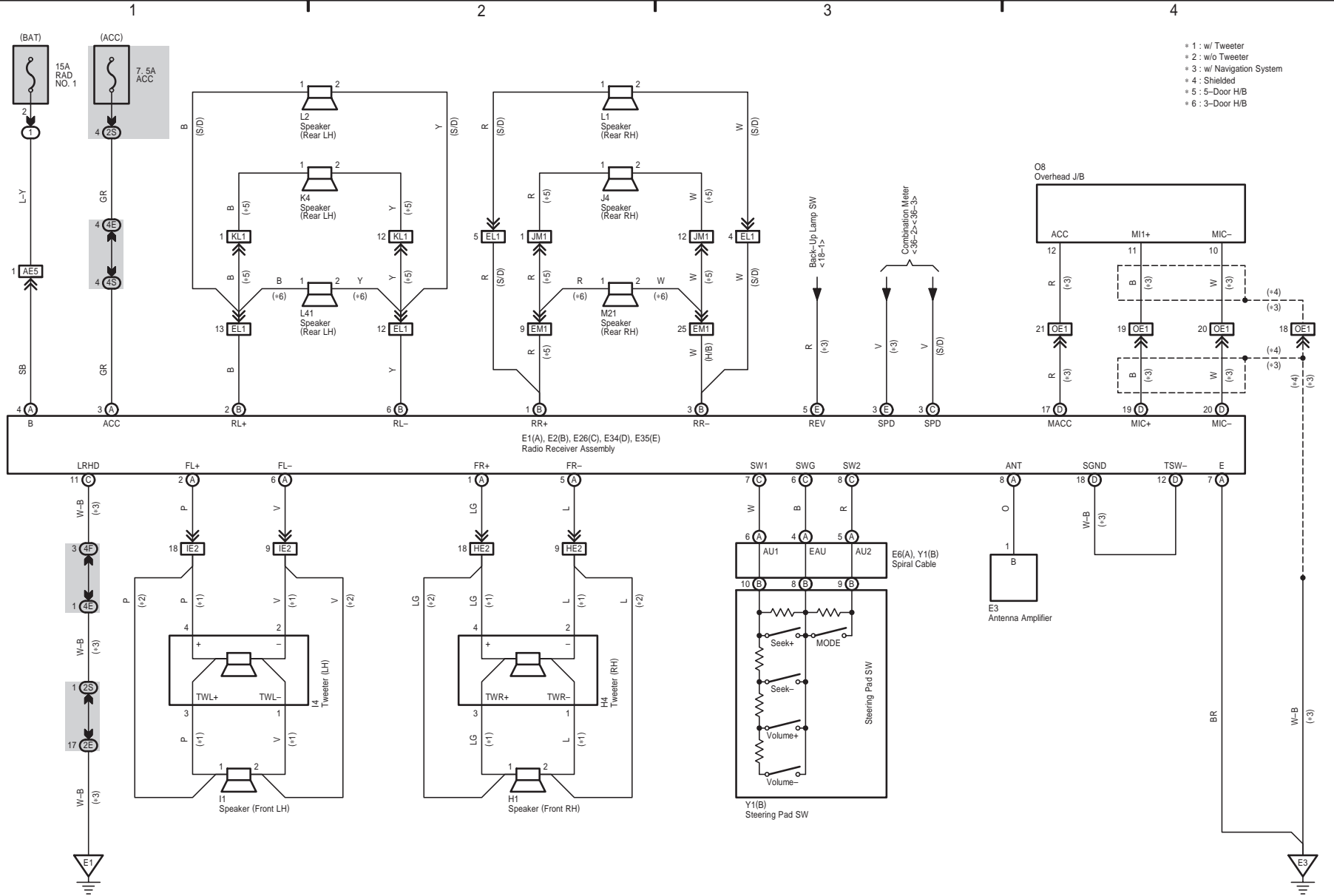
- * 1 : Automatic A/C
- * 2 : Except +1
- * 3 : w/ Mirror Heater
- * 4 : w/o Mirror Heater
- * 5 : w/ Timer Circuit
- * 6 : w/o Timer Circuit

COROLLA / AURIS (EM04F1E)





Audio System and Navigation System



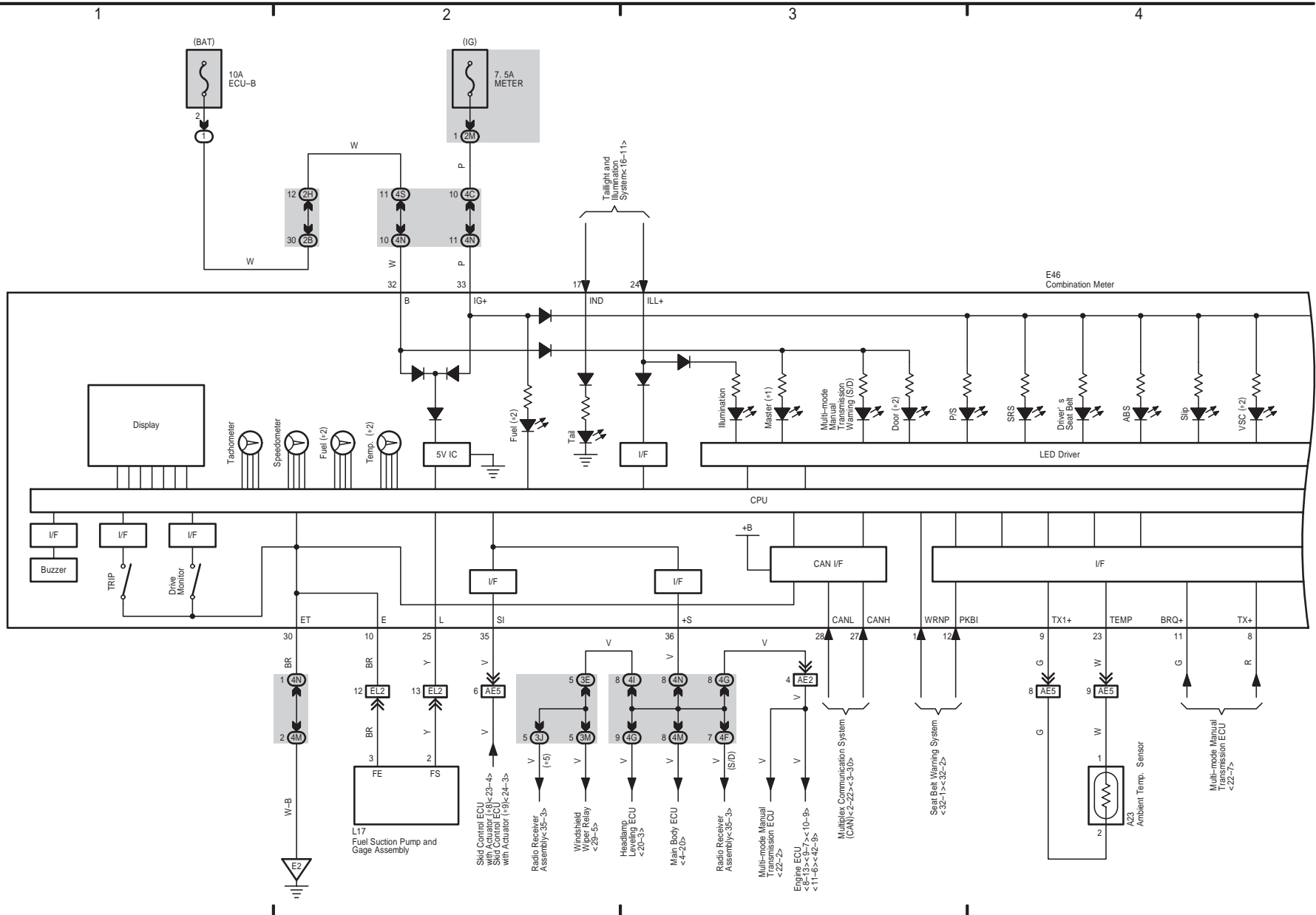
- * 1 : w/ Tweeter
- * 2 : w/o Tweeter
- * 3 : w/ Navigation System
- * 4 : Shielded
- * 5 : 5-Door H/B
- * 6 : 3-Door H/B

COROLLA / AURIS (EM04F1E)



Combination Meter

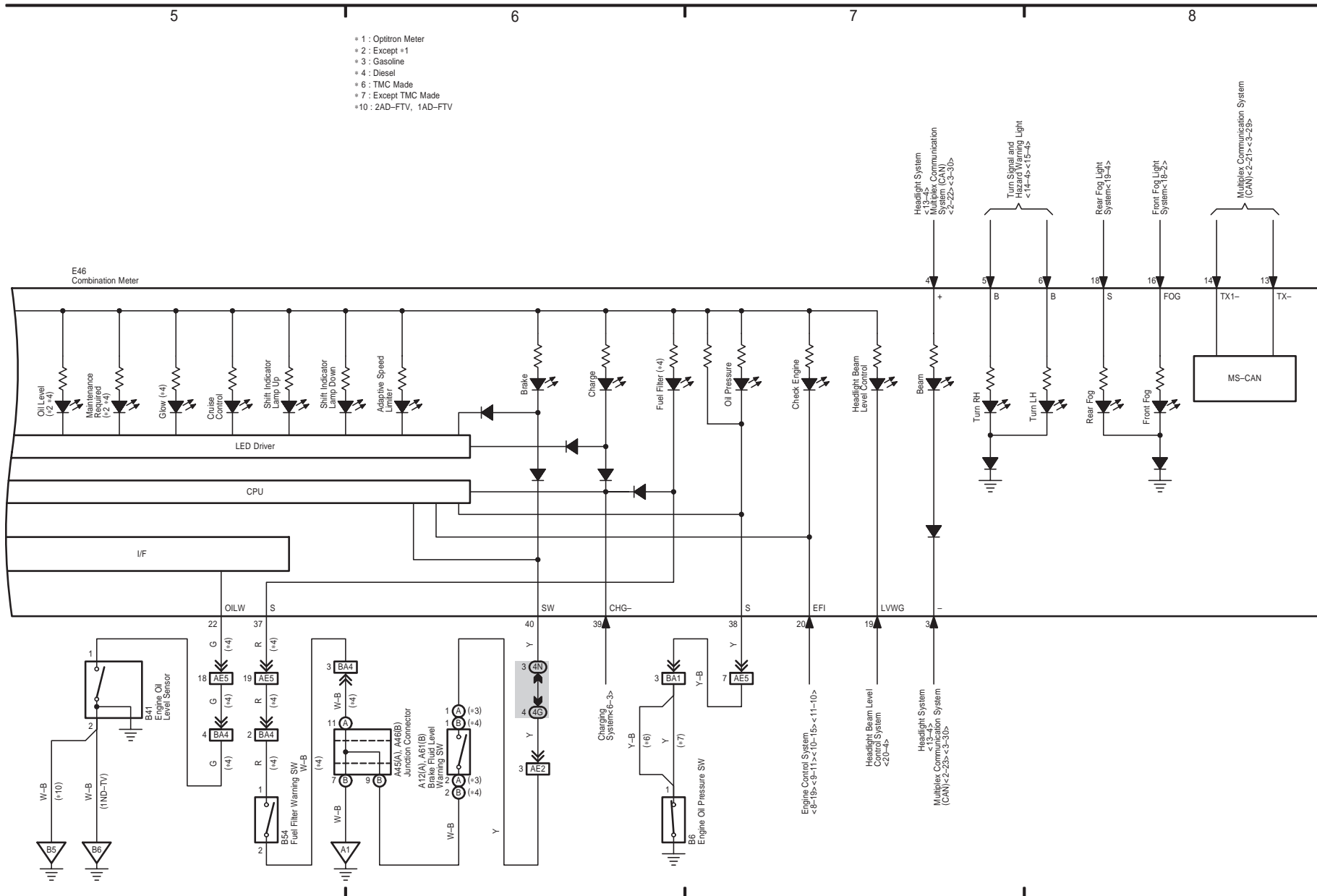
- * 1 : Optitron Meter
- * 2 : Except *1
- * 5 : w/ Navigation System
- * 8 : w/ VSC
- * 9 : w/o VSC



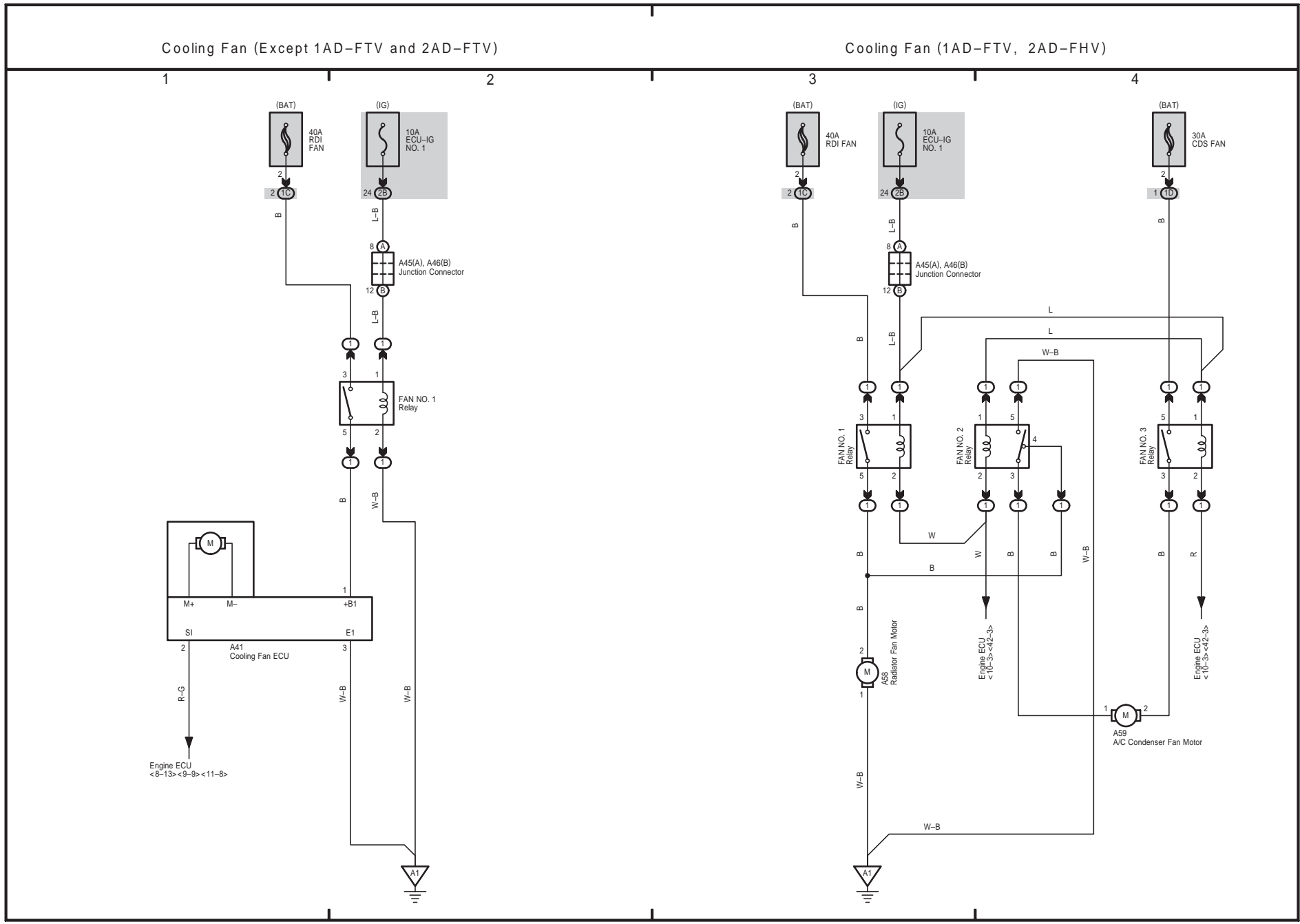
Combination Meter

COROLLA / AURIS (EM04F1E)

801

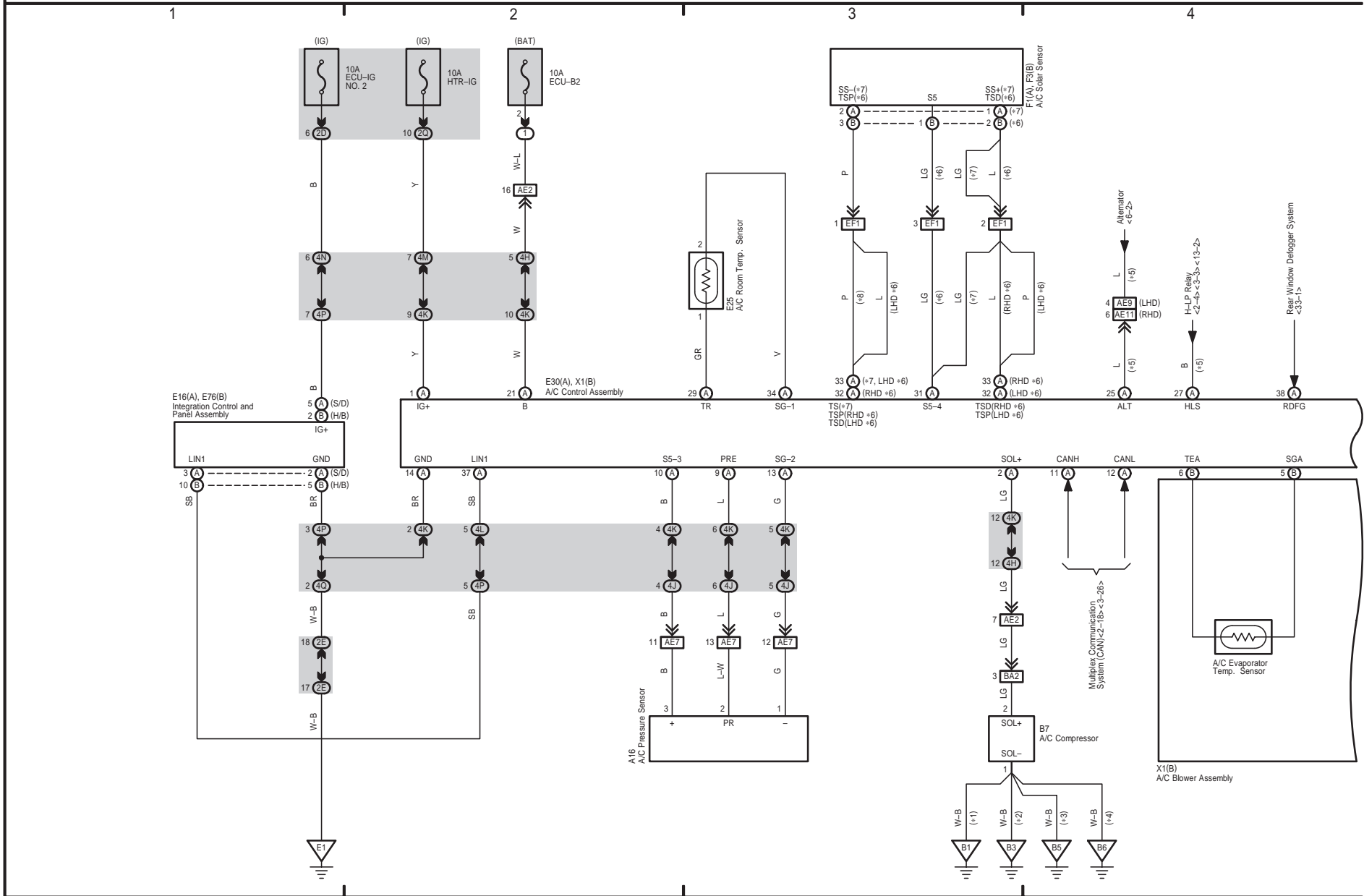


37 COROLLA / AURIS



Air Conditioner (Automatic A/C)

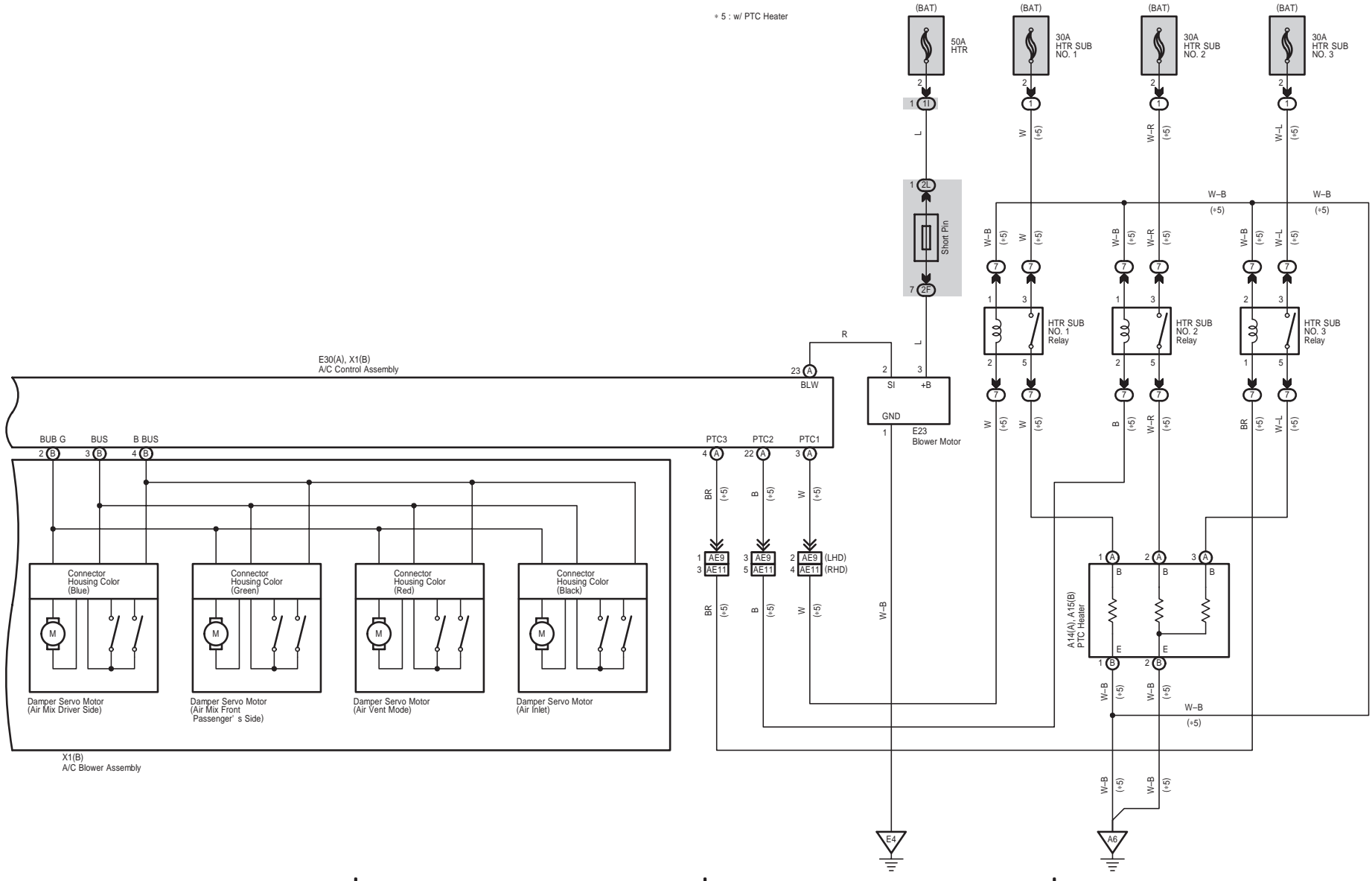
- * 1 : 1ZR-FE, 2ZR-FE
- * 2 : 4ZZ-FE
- * 3 : 1AD-FTV, 2AD-FHV
- * 4 : 1ND-TV
- * 5 : w/ PTC Heater
- * 6 : H/B Europe
- * 7 : S/D, H/B Australia
- * 8 : S/D, RHD H/B



Air Conditioner (Automatic A/C)

5 6 7 8

* 5 : w/ PTC Heater



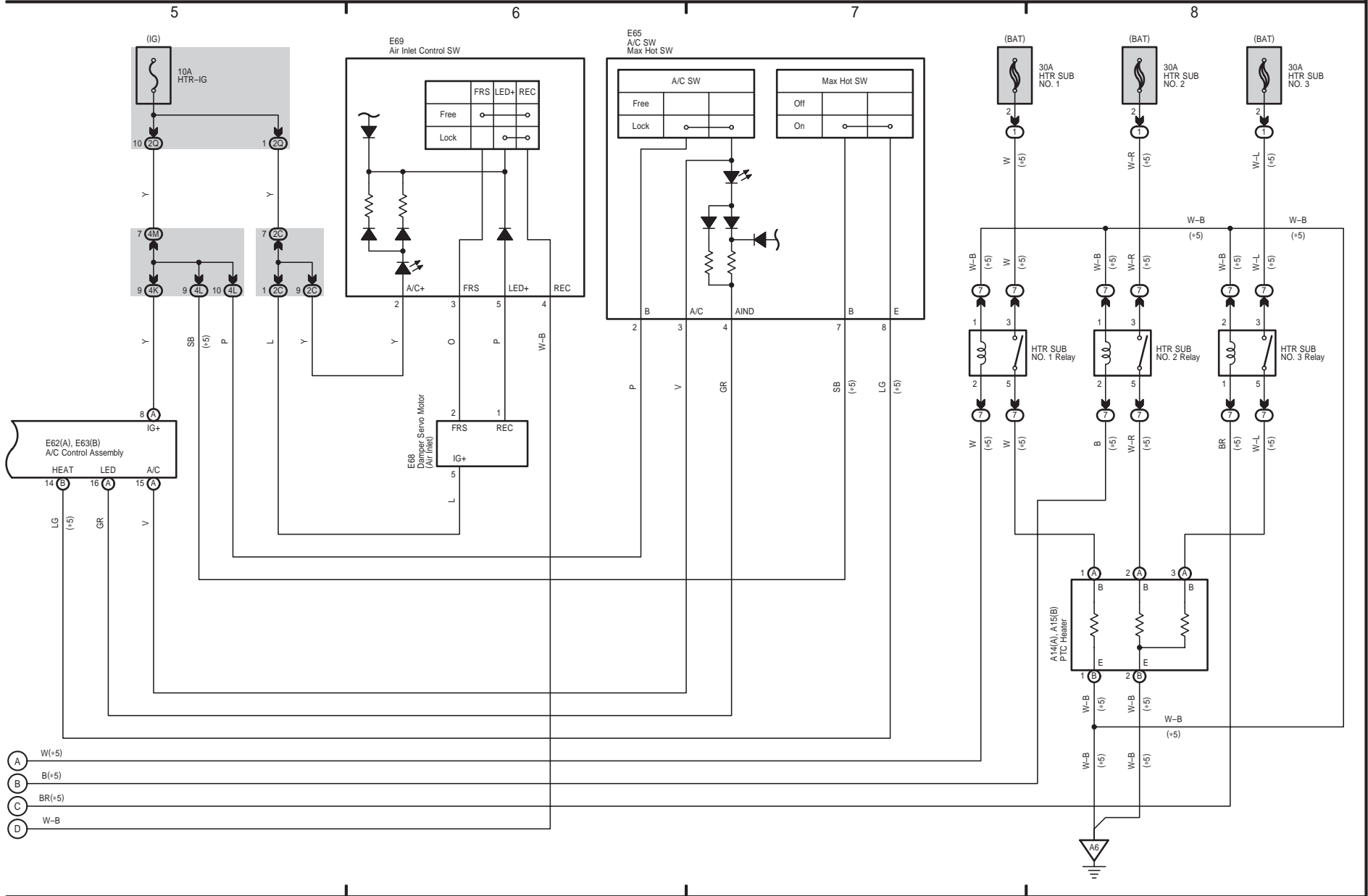
COROLLA / AURIS (EM04F1E)

805



Air Conditioner (Except Automatic A/C)

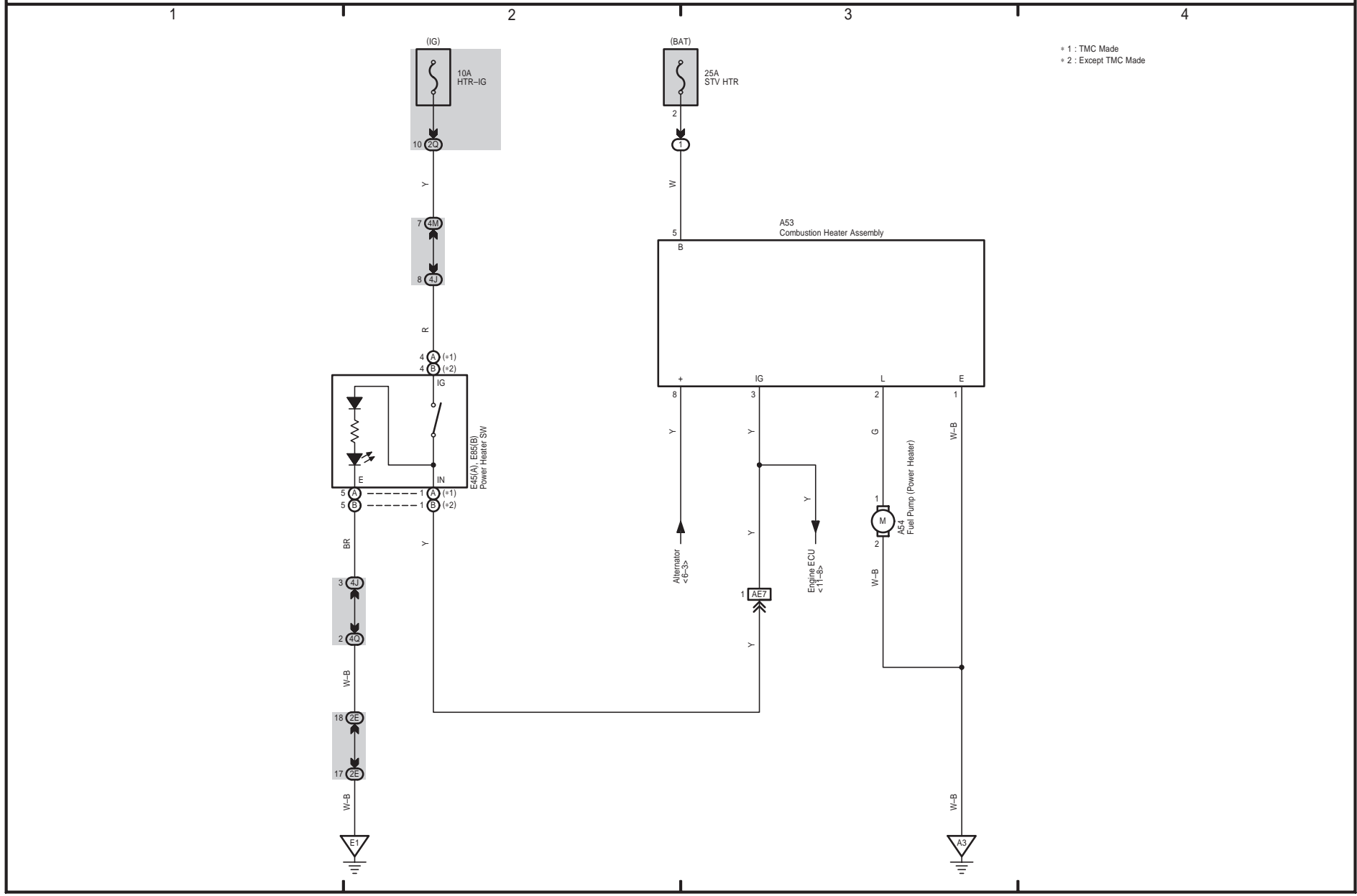
* 5 : w/ PTC Heater



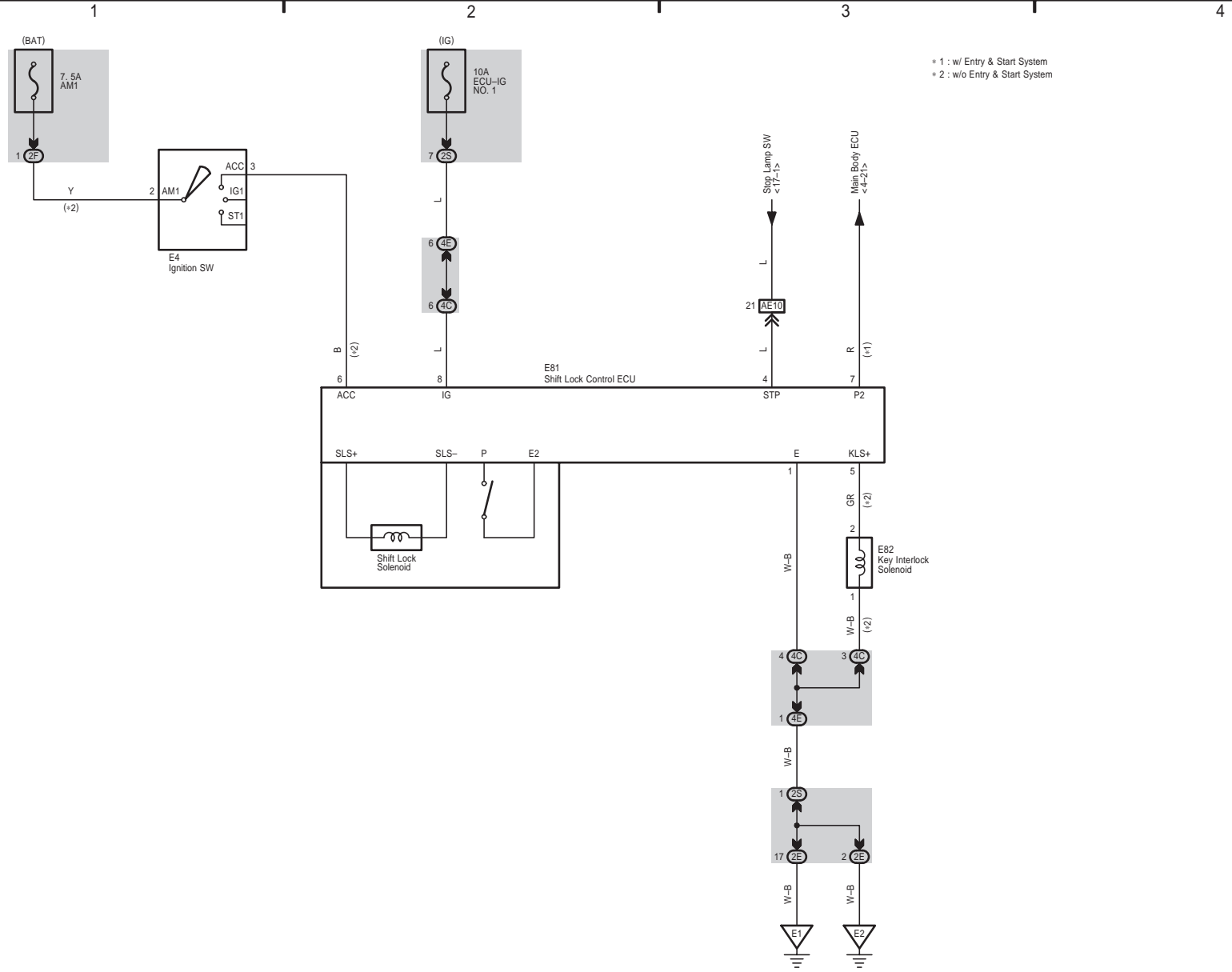
COROLLA / AURIS (EM04F1E)



Power Heater (Combustion Type)

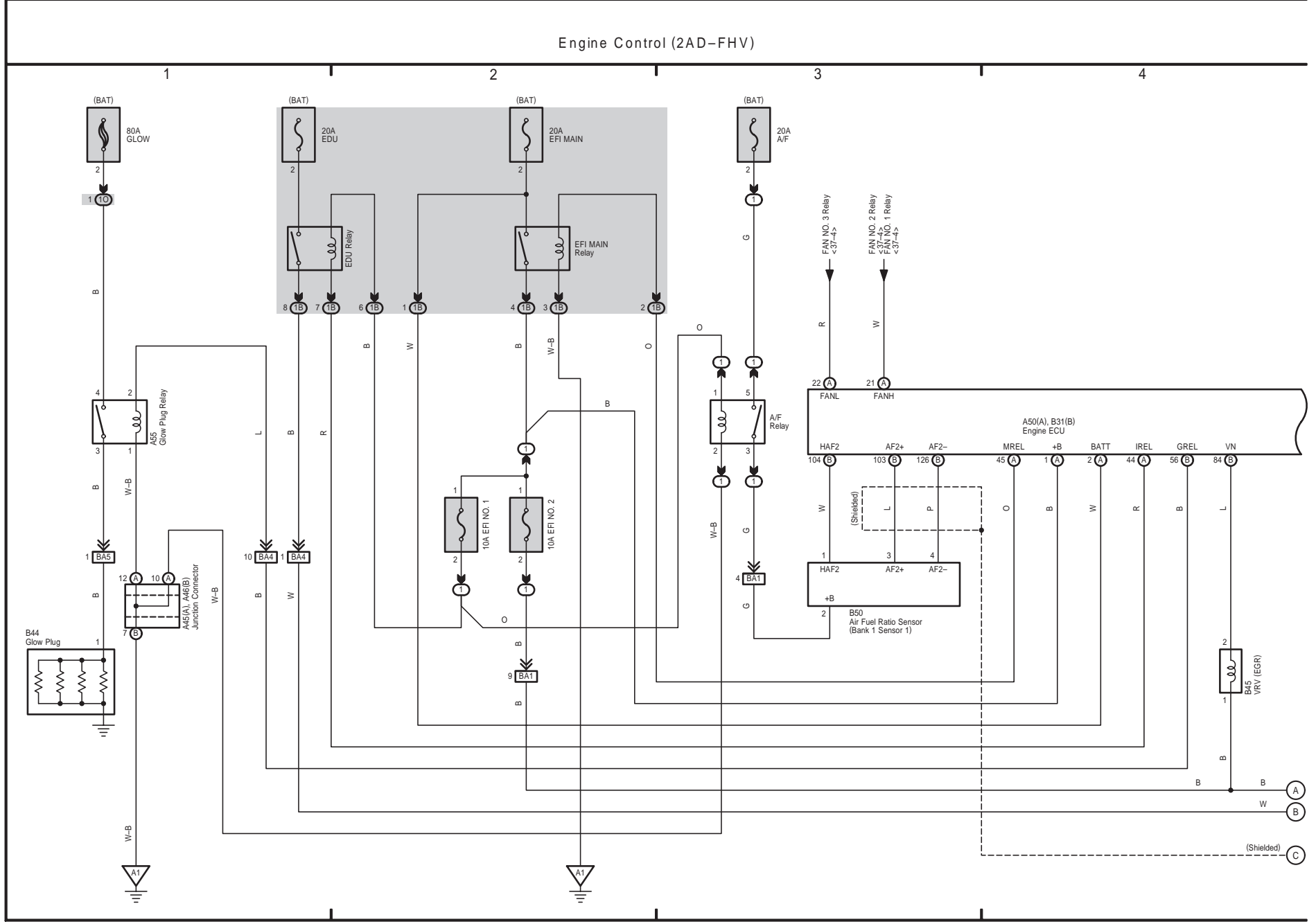


Shift Lock

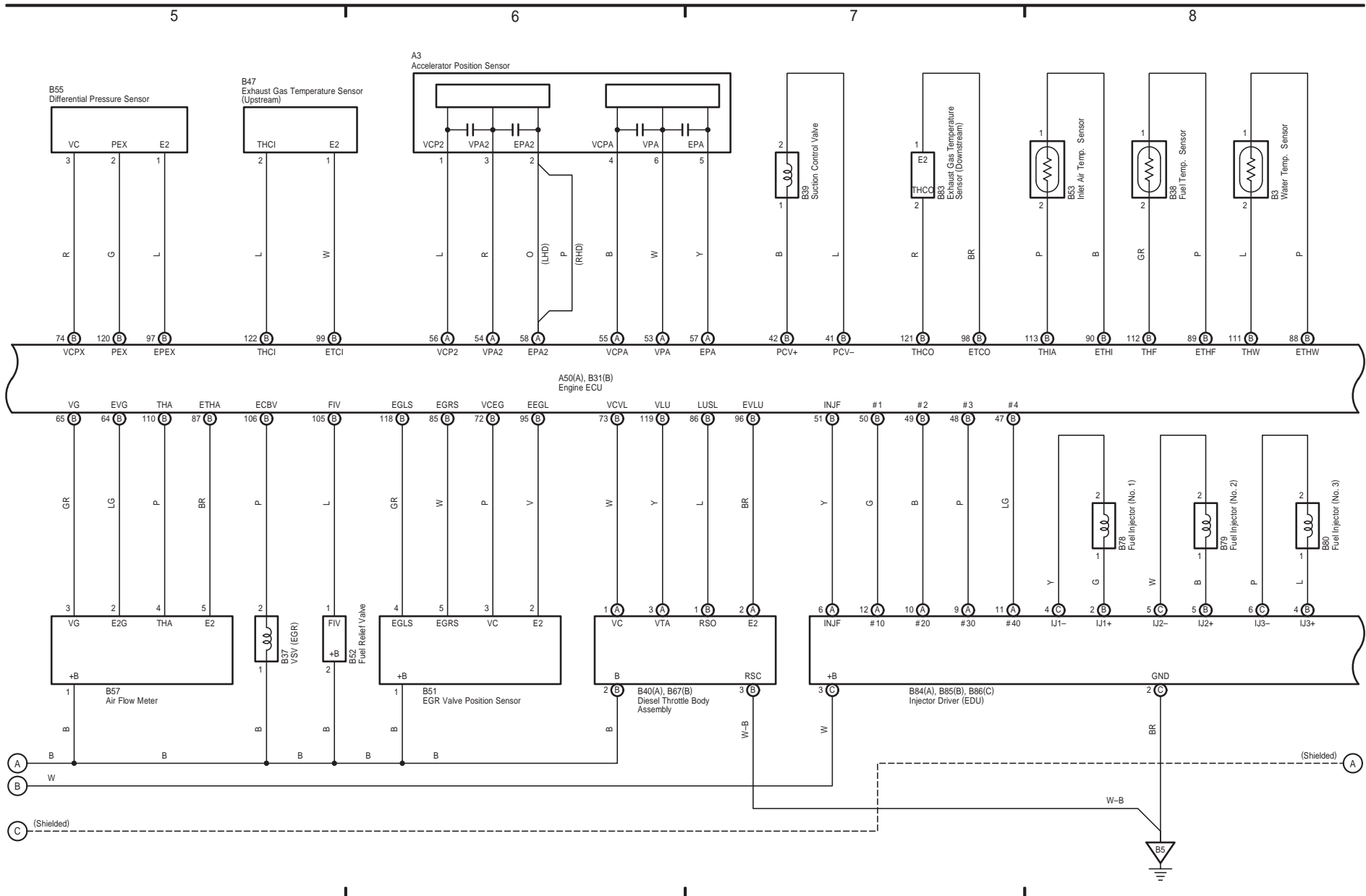


COROLLA / AURIS (EM04F1E)





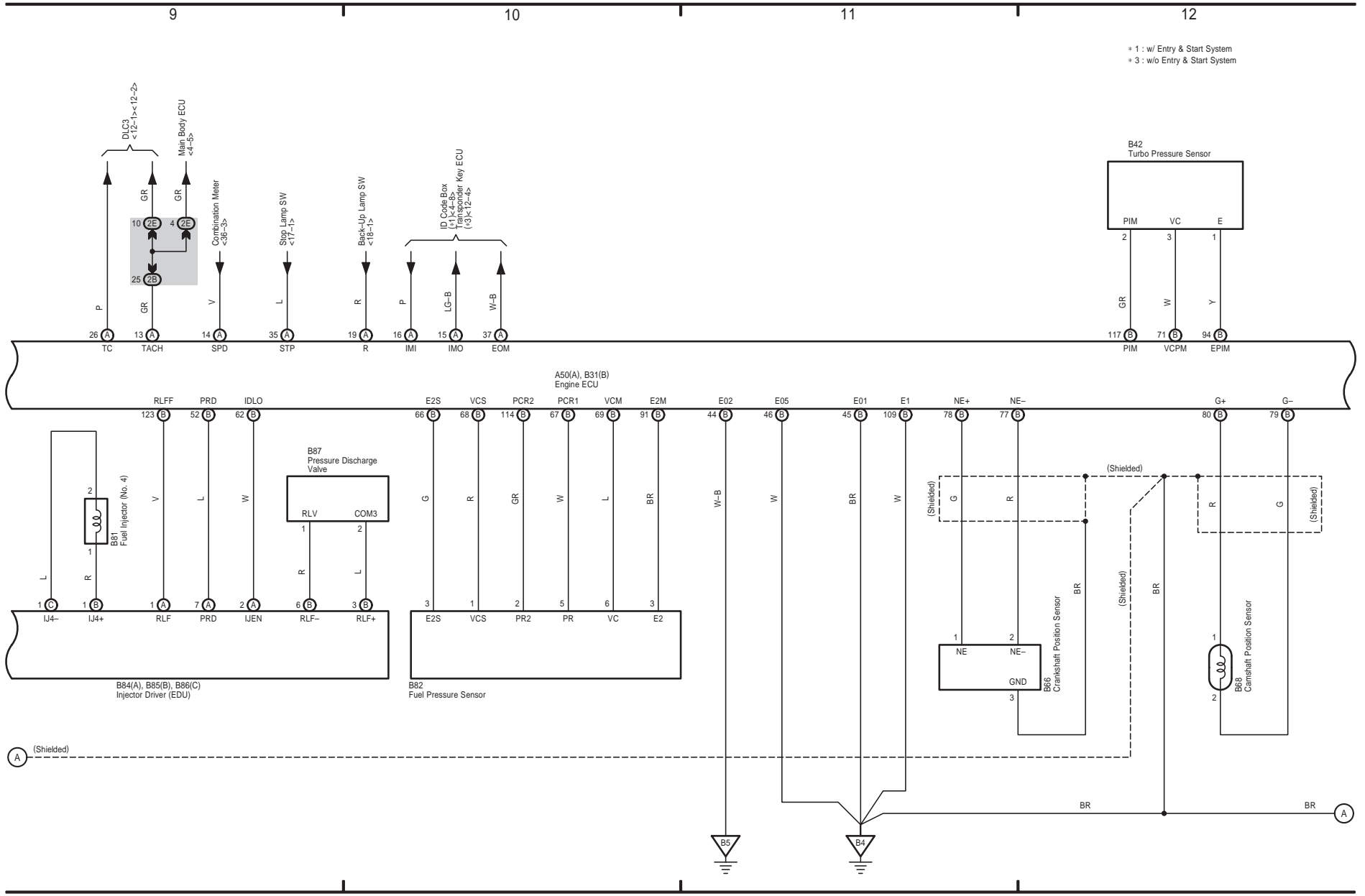
Engine Control (2AD-FHV)



COROLLA / AURIS (EM04F1E)

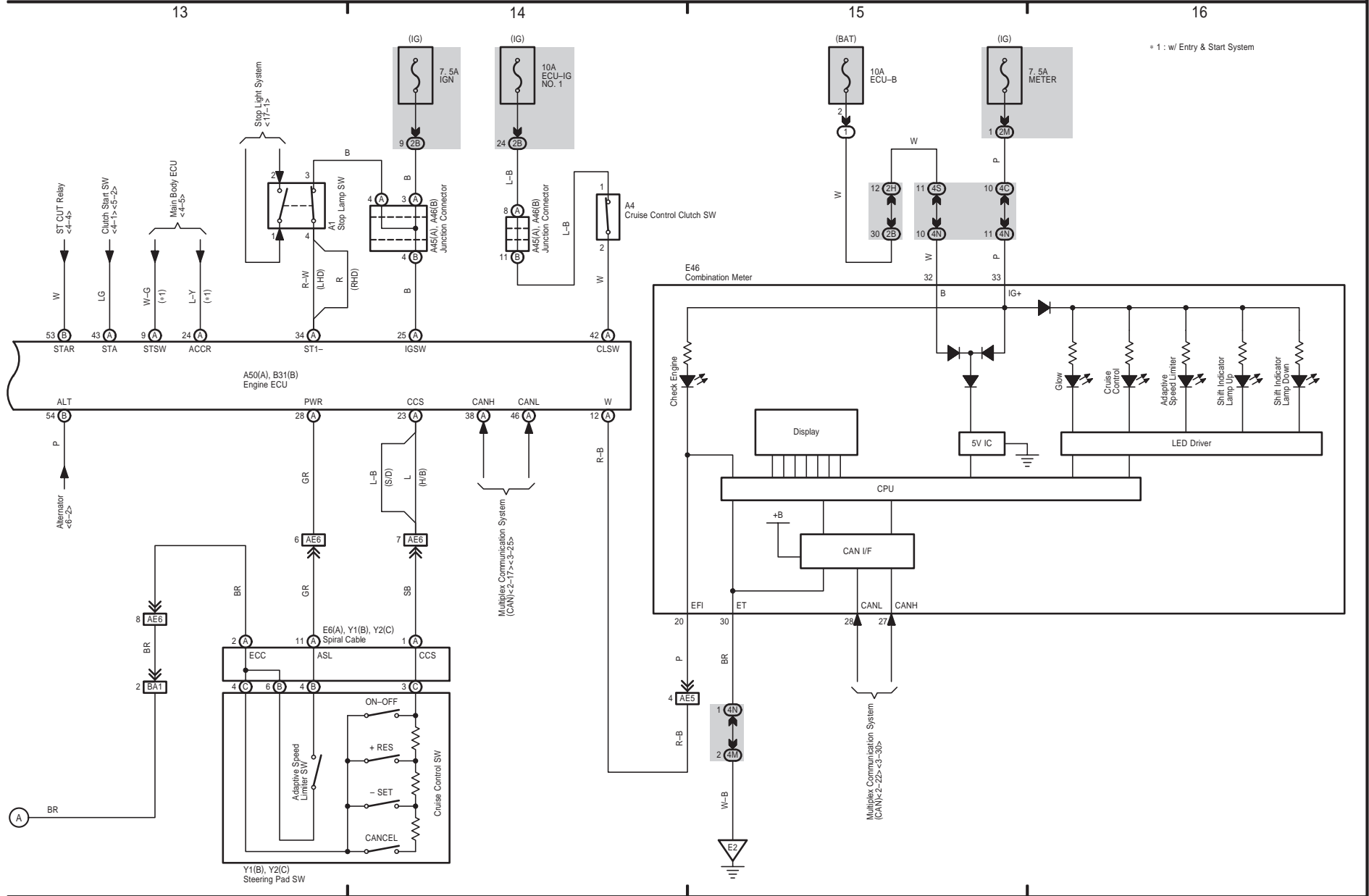


Engine Control (2AD-FHV)



Cruise Control (2AD-FHV)

COROLLA / AURIS (EM04F1E)



* 1 : w/ Entry & Start System



