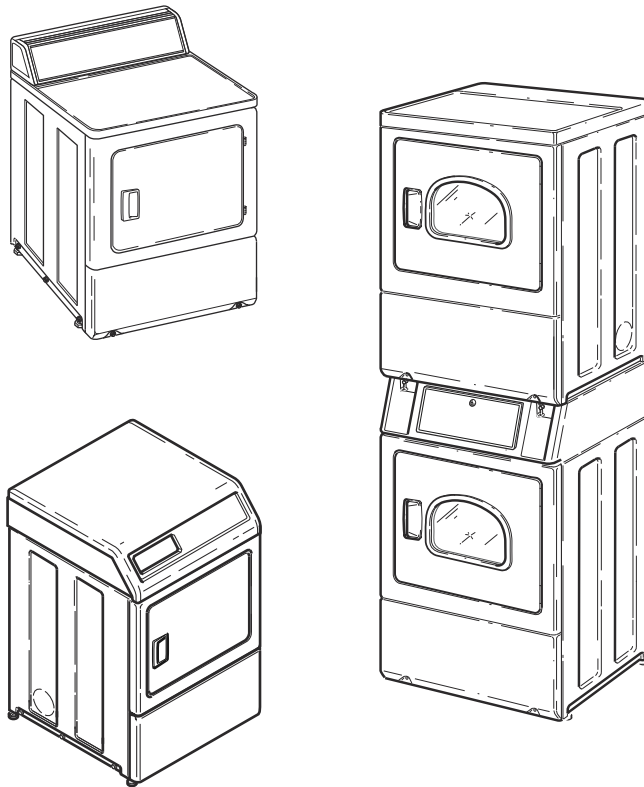


# Home Dryers

Refer to Page 3 for Model Numbers



DRY726C\_515153



# Table of Contents

Title	Page
Parts Ordering Information.....	2
Serial Plate Location .....	2
Model Identification .....	3
Control Panel and Controls - Rear Control (Drawing 1 of 2).....	4
Control Panel and Controls - Rear Control (Drawing 2 of 2).....	6
Control Panel and Controls - Front Control.....	8
Control Panel and Controls - Stacked Models .....	10
Loading Door - Without Window .....	12
Loading Door - With Window .....	14
Access Panel, Front Panel and Seal .....	16
Motor, Exhaust Fan and Belt .....	18
Cylinder .....	20
Front Bulkhead, Air Duct and Felt Seal.....	22
Rear Bulkhead, Felt Seal, Cylinder Roller and Terminal Block.....	24
Heater Duct and Element Assembly .....	26
Heater Duct Assembly .....	28
Gas Valve, Igniter and Gas Conversion Kits.....	30
Burner Orifice Spuds - For Higher Elevations .....	32
Cabinet, Exhaust Duct and Base - Single Dryers .....	34
Cabinet, Exhaust Duct and Base - Stacked Dryers .....	36
Power Cord .....	38
Lead-In Cord .....	40
Junction Box .....	42
Junction Box Filter and Harnesses .....	44
Terminal Block and Terminals .....	46
Terminals .....	48
Terminals and Terminal Extractor Tools .....	50
Wire Harnesses and Wires - Model ASGE8AGW113TW01 .....	52
Wire Harnesses and Wires - Model ASEE8AGW173TW01.....	54
Wire Harnesses and Wires - Front Control Models (Drawing 1 of 2).....	56
Wire Harnesses and Wires - Front Control Models (Drawing 2 of 2).....	58
Wire Harnesses and Wires - Rear Control Models .....	60
Parts Index.....	63

© Copyright 2017, Alliance Laundry Systems LLC

All rights reserved. No part of the contents of this book may be reproduced or transmitted in any form or by any means without the expressed written consent of the publisher.

## Parts Ordering Information

If literature or replacement parts are required, contact the source from whom the machine was purchased or contact Alliance Laundry Systems at (920) 748-3950 for the name and address of the nearest authorized parts distributor.

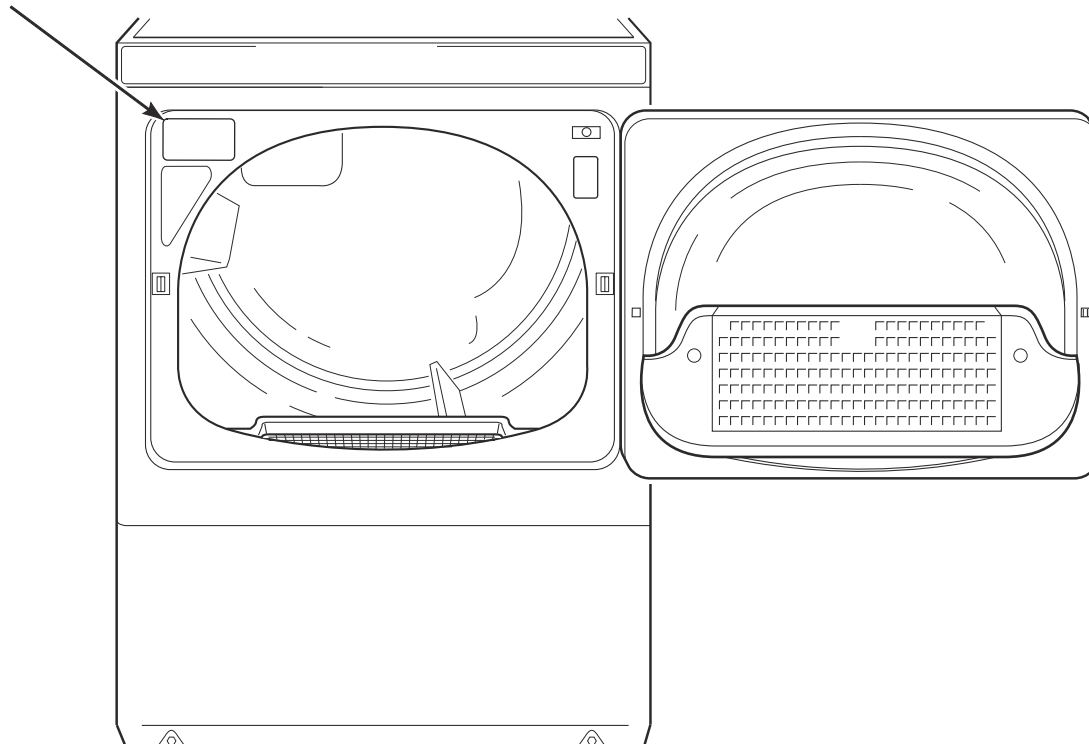
For technical assistance, call the number listed below:

(920) 748-3121 Ripon, Wisconsin

## Serial Plate Location

When calling or writing about your product, be sure to mention model and serial numbers. Model and serial numbers are located on serial plate(s) as shown.

Serial Plate



DRY2283P\_515153

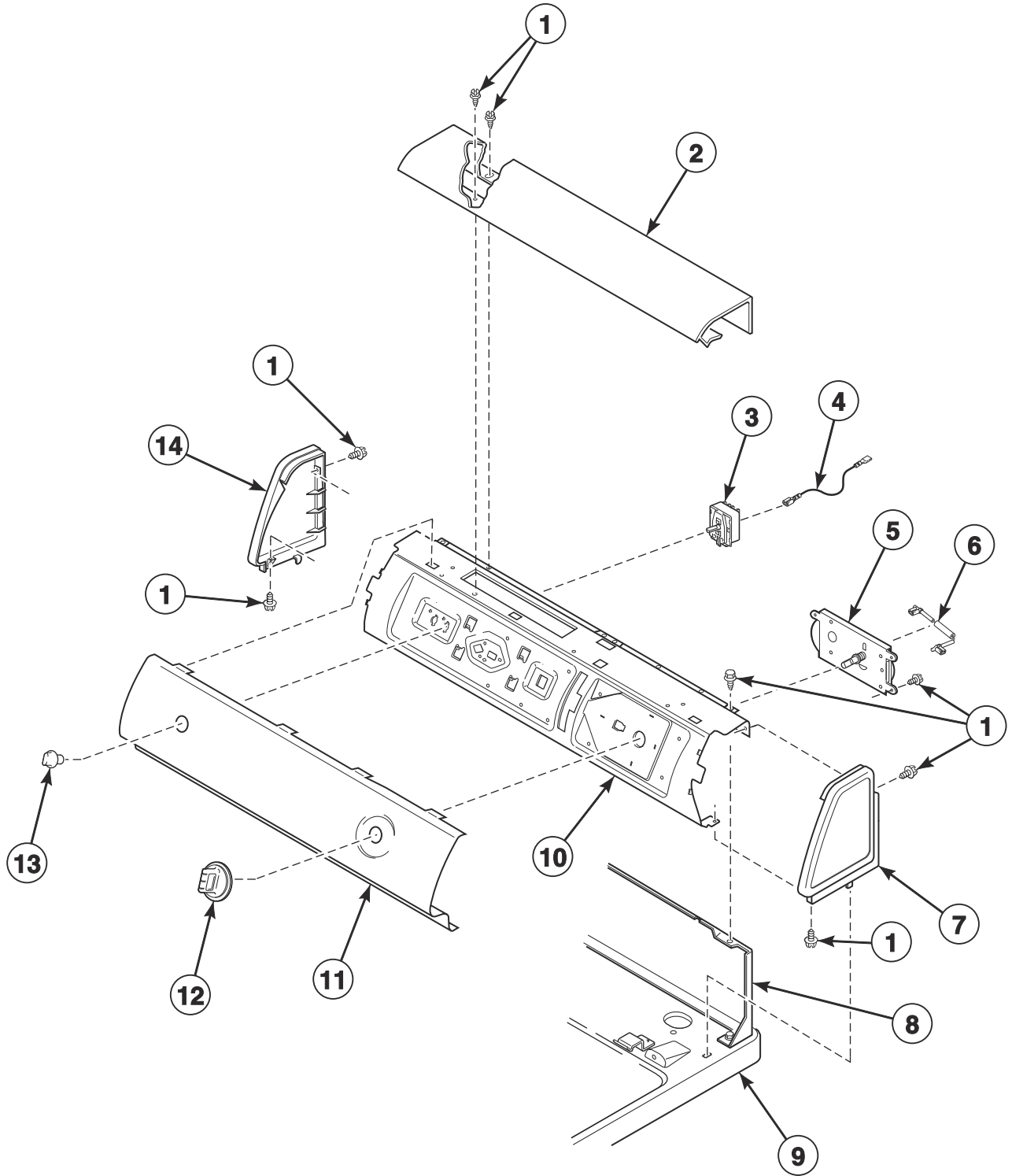
## Model Identification

Information in this manual is applicable to these dryer models:

ADE3SRGS173CW01	ZDE3SRGS173CW01
ADE3SRGS173TW01	ZDE3SRGS173FW28
ADEE8RGS173CW01	ZDEE8RGS173CW01
ADEE8RGS173TW01	ZDEE8RGS543FW01
ADEE9BGS173CW01	ZDEE9BGS173CW01
ADEE9BGS173TW01	ZDEE9BGS543FW01
ADEE9BSS173CN01	ZDEE9BSS173CN01
ADEE9BSS173TN01	ZDEE9BSS543FN01
ADEE9RGS173CW01	ZDEE9RGS173CW01
ADEE9RGS173TW01	ZDEE9RGS543FW01
ADG3SRGS113CW01	ZDG3SRGS113CW01
ADG3SRGS113TW01	ZDG3SRGS113FW28
ADGE8RGS113CW01	ZDGE8RGS113CW01
ADGE8RGS113TW01	ZDGE8RGS113FW01
ADGE9BGS113CW01	ZDGE9BGS113CW01
ADGE9BGS113TW01	ZDGE9BGS113FW01
ADGE9BSS113CN01	ZDGE9BSS113CN01
ADGE9BSS113TN01	ZDGE9BSS113FN01
ADGE9RGS113CW01	ZDGE9RGS113CW01
ADGE9RGS113TW01	ZDGE9RGS113FW01
ASEE8AGW173TW01	
ASGE8AGW113TW01	

# Control Panel and Controls - Rear Control (Drawing 1 of 2)

Models ADE3SRGS173CW01, ADE3SRGS173TW01, ADG3SRGS113CW01, ADG3SRGS113TW01, ZDE3SRGS173CW01, ZDE3SRGS173FW28, ZDG3SRGS113CW01 and ZDG3SRGS113FW28



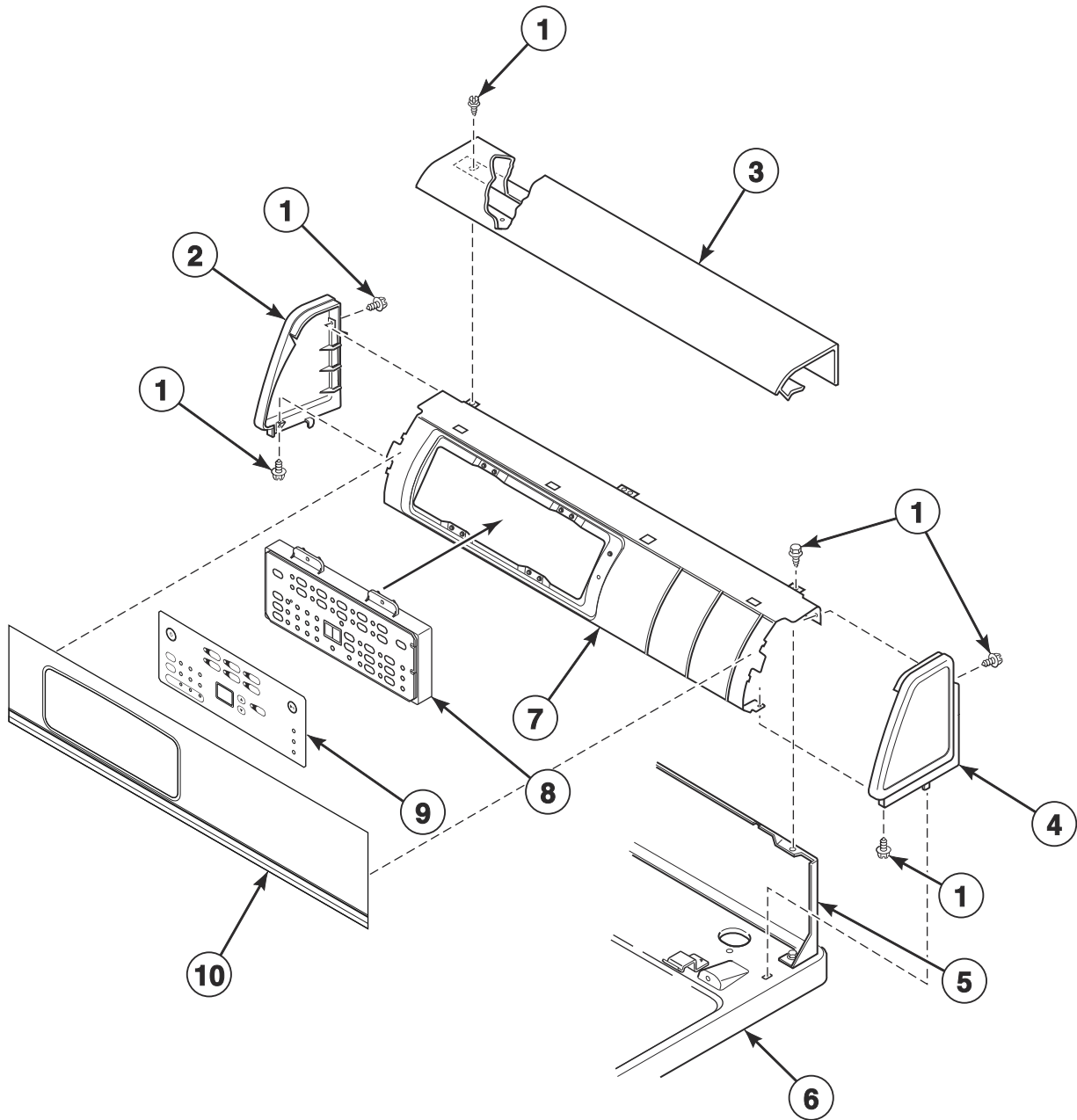
DRY2378P\_515153

## Control Panel and Controls - Rear Control (Drawing 1 of 2)

REF	PART NO.	DESCRIPTION	COMMENTS
1	501086	Screw	
2	505808W	Top Cover	
3	513505	Fabric Selector Switch	
4	510540	Wire Assembly	Fabric selector switch to timer; Models ADE3SRGS173CW01, ADE3SRGS173TW01, ZDE3SRGS173CW01 and ZDE3SRGS173FW28
5	505797P	Timer and Harness Kit	Models ADE3SRGS173CW01, ADE3SRGS173TW01, ZDE3SRGS173CW01 and ZDE3SRGS173FW28
	505794P	Timer	Models ADG3SRGS113CW01, ADG3SRGS113TW01, ZDG3SRGS113CW01 and ZDG3SRGS113FW28
6	511277	Resistor Assembly	Models ADE3SRGS173CW01, ADE3SRGS173TW01, ZDE3SRGS173CW01 and ZDE3SRGS173FW28
7	504008WP	End Panel	Right
8	510099	Hood Back Panel	
9	510029WP	Top Panel Kit	
10	503901	Control Support Panel	
11	513016W	Graphic Panel	Models ZDE3SRGS173CW01, ZDE3SRGS173FW28, ZDG3SRGS113CW01 and ZDG3SRGS113FW28
	513011W	Graphic Panel	Models ADE3SRGS173TW01 and ADG3SRGS113TW01
	516066W	Graphic Panel	Models ADE3SRGS173CW01 and ADG3SRGS113CW01
12	803168P	Knob Assembly	
13	803119P	Control Knob Assembly	
14	504009WP	End Panel	Left

# Control Panel and Controls - Rear Control (Drawing 2 of 2)

Models ADEE8RGS173CW01, ADEE8RGS173TW01, ADEE9RGS173CW01, ADEE9RGS173TW01, ADGE8RGS113CW01, ADGE8RGS113TW01, ADGE9RGS113CW01, ADGE9RGS113TW01, ZDEE8RGS173CW01, ZDEE8RGS543FW01, ZDEE9RGS173CW01, ZDEE9RGS543FW01, ZDGE8RGS113CW01, ZDGE8RGS113FW01, ZDGE9RGS113CW01 and ZDGE9RGS113FW01



DRY2323P\_515153

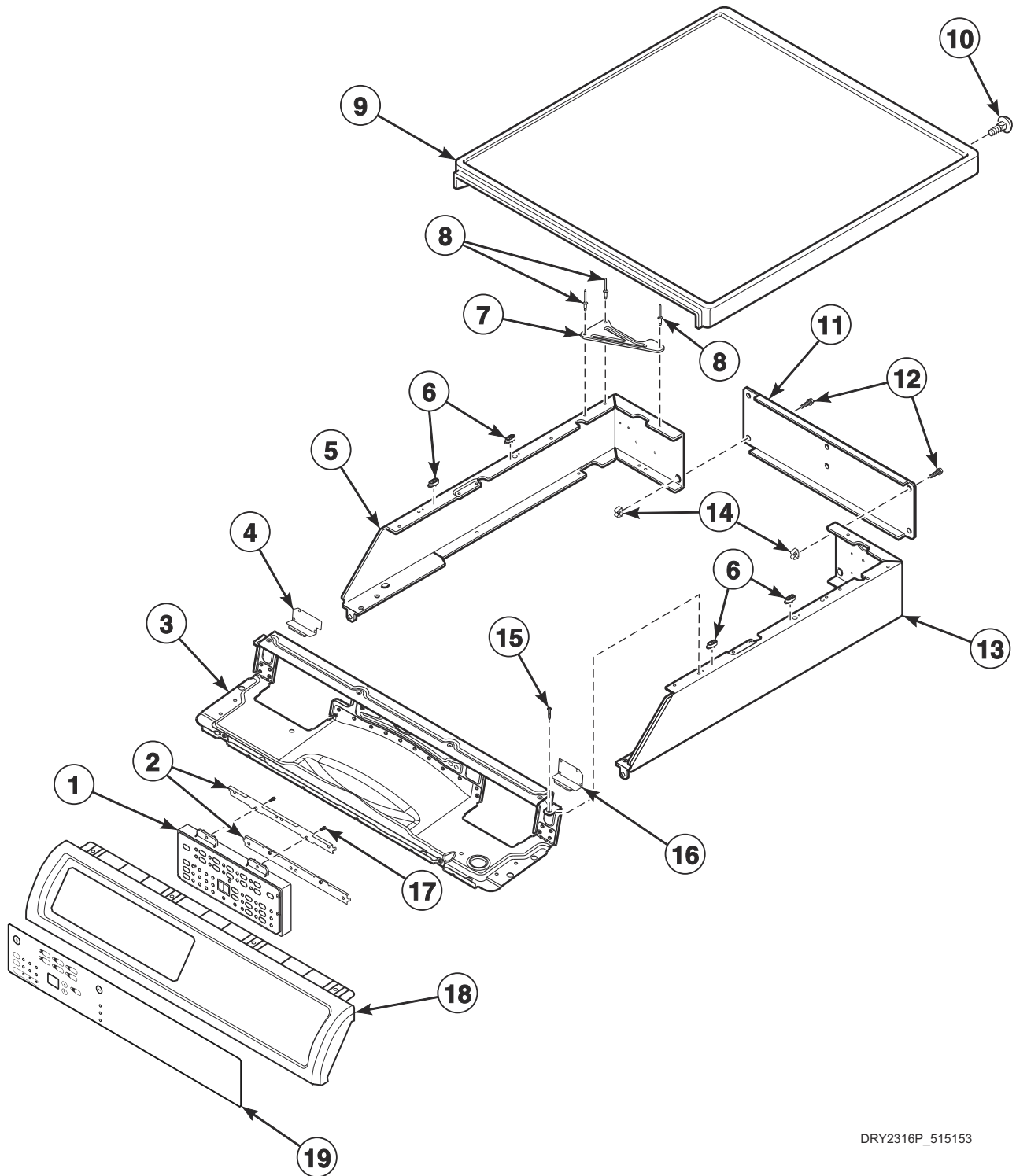


## Control Panel and Controls - Rear Control (Drawing 2 of 2)

REF	PART NO.	DESCRIPTION	COMMENTS
1	501086	Screw	
2	504009WP	End Panel	Left
3	505808W	Top Cover	
4	504008WP	End Panel	Right
5	804169	Hood Back Panel	
6	510029WP	Top Panel Kit	
7	804836	Control Support Panel	
8	515501P	Control Assembly	Includes item 9; Models ADEE9RGS173TW01 and ADGE9RGS113TW01
	515502	Control Assembly	Includes item 9; Models ADEE9RGS173CW01, ADGE9RGS113CW01, ZDEE9RGS173CW01, ZDEE9RGS543FW01, ZDGE9RGS113CW01 and ZDGE9RGS113FW01
	515503P	Control Assembly	Includes item 9; Models ADEE8RGS173TW01 and ADGE8RGS113TW01
	515504P	Control Assembly	Includes item 9; Models ADEE8RGS173CW01, ADGE8RGS113CW01, ZDEE8RGS173CW01, ZDEE8RGS543FW01, ZDGE8RGS113CW01 and ZDGE8RGS113FW01
9	513779	Overlay	Models ADEE9RGS173TW01 and ADGE9RGS113TW01
	514192	Control Overlay	Models ADEE9RGS173CW01, ADGE9RGS113CW01, ZDEE9RGS173CW01, ZDEE9RGS543FW01, ZDGE9RGS113CW01 and ZDGE9RGS113FW01
	514189	Control Overlay	Models ADEE8RGS173TW01 and ADGE8RGS113TW01
	514191	Control Overlay	Models ADEE8RGS173CW01, ADGE8RGS113CW01, ZDEE8RGS173CW01, ZDEE8RGS543FW01, ZDGE8RGS113CW01 and ZDGE8RGS113FW01
10	805450	Graphic Panel	Models ZDEE8RGS173CW01, ZDEE8RGS543FW01, ZDEE9RGS173CW01, ZDEE9RGS543FW01, ZDGE8RGS113CW01, ZDGE8RGS113FW01, ZDGE9RGS113CW01 and ZDGE9RGS113FW01
	804565	Graphic Panel	Models ADEE8RGS173CW01, ADEE8RGS173TW01, ADEE9RGS173CW01, ADEE9RGS173TW01, ADGE8RGS113CW01, ADGE8RGS113TW01, ADGE9RGS113CW01 and ADGE9RGS113TW01

# Control Panel and Controls - Front Control

Models ADEE9BGS173CW01, ADEE9BGS173TW01, ADEE9BSS173CN01, ADEE9BSS173TN01, ADGE9BGS113CW01, ADGE9BGS113TW01, ADGE9BSS113CN01, ADGE9BSS113TN01, ZDEE9BGS173CW01, ZDEE9BGS543FW01, ZDEE9BSS173CN01, ZDEE9BSS543FN01, ZDGE9BGS113CW01, ZDGE9BGS113FW01, ZDGE9BSS113CN01 and ZDGE9BSS113FN01



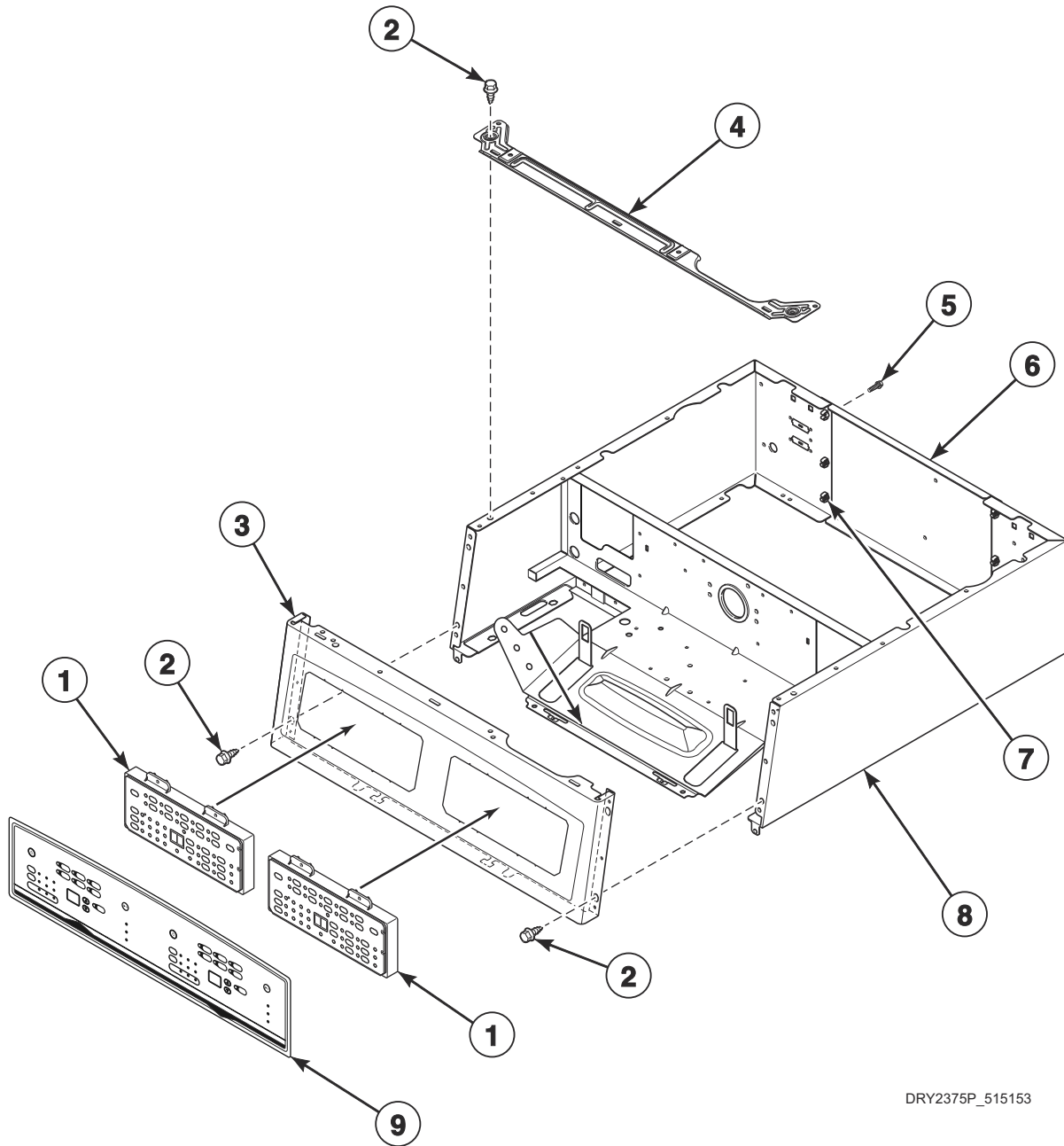
DRY2316P\_515153

## Control Panel and Controls - Front Control

REF	PART NO.	DESCRIPTION	COMMENTS
1	514121P	Control Assembly	
2	804611	Control Bracket	2 required
3	804613	Top Panel Brace Assembly	
4	804741	Control Access Panel	Left; Models ADEE9BGS173CW01, ADEE9BGS173TW01, ADEE9BSS173CN01, ADEE9BSS173TN01, ZDEE9BGS173CW01, ZDEE9BGS543FW01, ZDEE9BSS173CN01 and ZDEE9BSS543FN01
5	804627W	Control Wrapper	Left; Models ADEE9BGS173CW01, ADEE9BGS173TW01, ADGE9BGS113CW01, ADGE9BGS113TW01, ZDEE9BGS173CW01, ZDEE9BGS543FW01, ZDGE9BGS113CW01 and ZDGE9BGS113FW01
	804627B	Control Wrapper	Left; Models ADEE9BSS173CN01, ADEE9BSS173TN01, ADGE9BSS113CN01, ADGE9BSS113TN01, ZDEE9BSS173CN01, ZDEE9BSS543FN01, ZDGE9BSS113CN01 and ZDGE9BSS113FN01
6	803761	Top Panel Guide	4 required; Use 39733 Screw to attach
7	805345	Rear Wrapper Brace	
8	685847	Pop Rivet	
9	804685WP	Top Panel	Models ADEE9BGS173CW01, ADEE9BGS173TW01, ADGE9BGS113CW01, ADGE9BGS113TW01, ZDEE9BGS173CW01, ZDEE9BGS543FW01, ZDGE9BGS113CW01 and ZDGE9BGS113FW01
	804684	Top Panel	Models ADEE9BSS173CN01, ADEE9BSS173TN01, ADGE9BSS113CN01, ADGE9BSS113TN01, ZDEE9BSS173CN01, ZDEE9BSS543FN01, ZDGE9BSS113CN01 and ZDGE9BSS113FN01
10	29651	Bolt	4 required
11	804614	Rear Access Panel	
12	70240301	Screw	8 required
13	804630W	Control Wrapper	Right; Models ADEE9BGS173CW01, ADEE9BGS173TW01, ADGE9BGS113CW01, ADGE9BGS113TW01, ZDEE9BGS173CW01, ZDEE9BGS543FW01, ZDGE9BGS113CW01 and ZDGE9BGS113FW01
	804630B	Control Wrapper	Right; Models ADEE9BSS173CN01, ADEE9BSS173TN01, ADGE9BSS113CN01, ADGE9BSS113TN01, ZDEE9BSS173CN01, ZDEE9BSS543FN01, ZDGE9BSS113CN01 and ZDGE9BSS113FN01
14	70030501	Expansion Clip	
15	503688	Screw	
16	804793	Control Access Panel	Right; Models ADEE9BGS173TW01, ADEE9BSS173TN01, ZDEE9BGS173CW01, ZDEE9BGS543FW01, ZDEE9BSS173CN01 and ZDEE9BSS543FN01
17	804608	Screw	
18	804960	Control Panel Assembly	Use 804667 Screw to attach; Models ZDEE9BGS543FW01 and ZDGE9BGS113FW01
	804961	Control Panel Assembly	Use 804667 Screw to attach; Models ZDEE9BSS543FN01 and ZDGE9BSS113FN01
	804659W	Control Panel Assembly	Use 804667 Screw to attach; Models ADEE9BGS173CW01, ADEE9BGS173TW01, ADGE9BGS113CW01, ADGE9BGS113TW01, ZDEE9BGS173CW01, ZDEE9BGS543FW01, ZDGE9BGS113CW01 and ZDGE9BGS113FW01
	804660	Control Panel Assembly	Use 804667 Screw to attach; Models ADEE9BSS173CN01, ADEE9BSS173TN01, ADGE9BSS113CN01, ADGE9BSS113TN01, ZDEE9BSS173CN01, ZDEE9BSS543FN01, ZDGE9BSS113CN01 and ZDGE9BSS113FN01
19	515062	Control Overlay	Models ADEE9BGS173CW01, ADGE9BGS113CW01, ZDEE9BGS173CW01, ZDEE9BGS543FW01, ZDGE9BGS113CW01 and ZDGE9BGS113FW01
	515634	Control Overlay	Models ADEE9BSS173CN01, ADGE9BSS113CN01, ZDEE9BSS173CN01, ZDEE9BSS543FN01, ZDGE9BSS113CN01 and ZDGE9BSS113FN01
	514186	Control Overlay	Models ADEE9BGS173TW01 and ADGE9BGS113TW01
	515630	Control Overlay	Models ADEE9BSS173TN01 and ADGE9BSS113TN01
	515633	Control Overlay	Models ADEE9BSS173CN01 and ADGE9BSS113CN01
	514316	Control Overlay	Models ADEE9BGS173CW01 and ADGE9BGS113CW01

# Control Panel and Controls - Stacked Models

Models ASEE8AGW173TW01 and ASGE8AGW113TW01



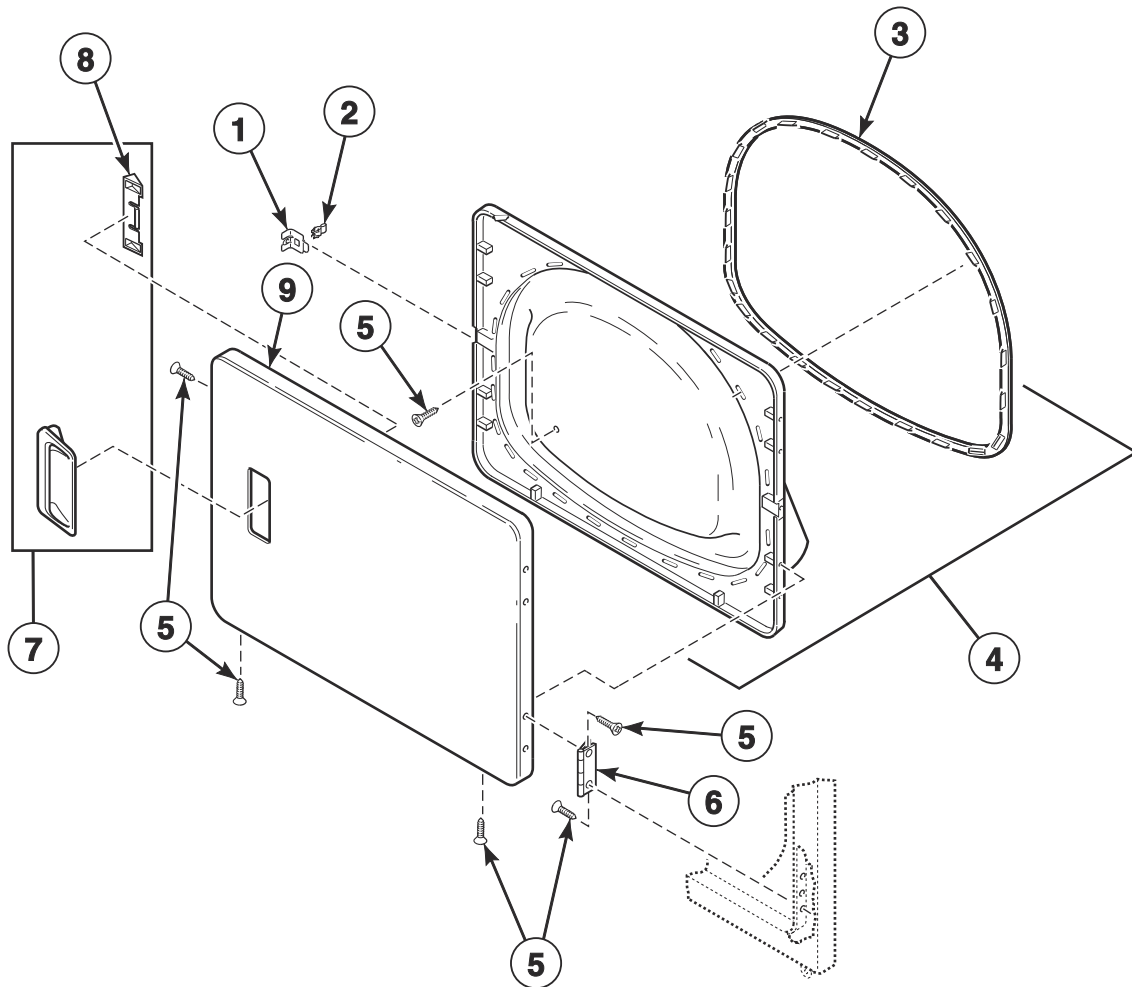
DRY2375P\_515153

## Control Panel and Controls - Stacked Models

REF	PART NO.	DESCRIPTION	COMMENTS
1	514338P	Control	2 required
2	503688	Screw	
3	803960WP	Control Panel	
4	804018	Shield Bracket	
5	70240301	Screw	
6	803998	Rear Access Panel	
7	70030501	Expansion Clip	
8	804112W	Wrapper Assembly	
9	514683	Overlay	

# Loading Door - Without Window

All Models Except ASEE8AGW173TW01 and ASGE8AGW113TW01



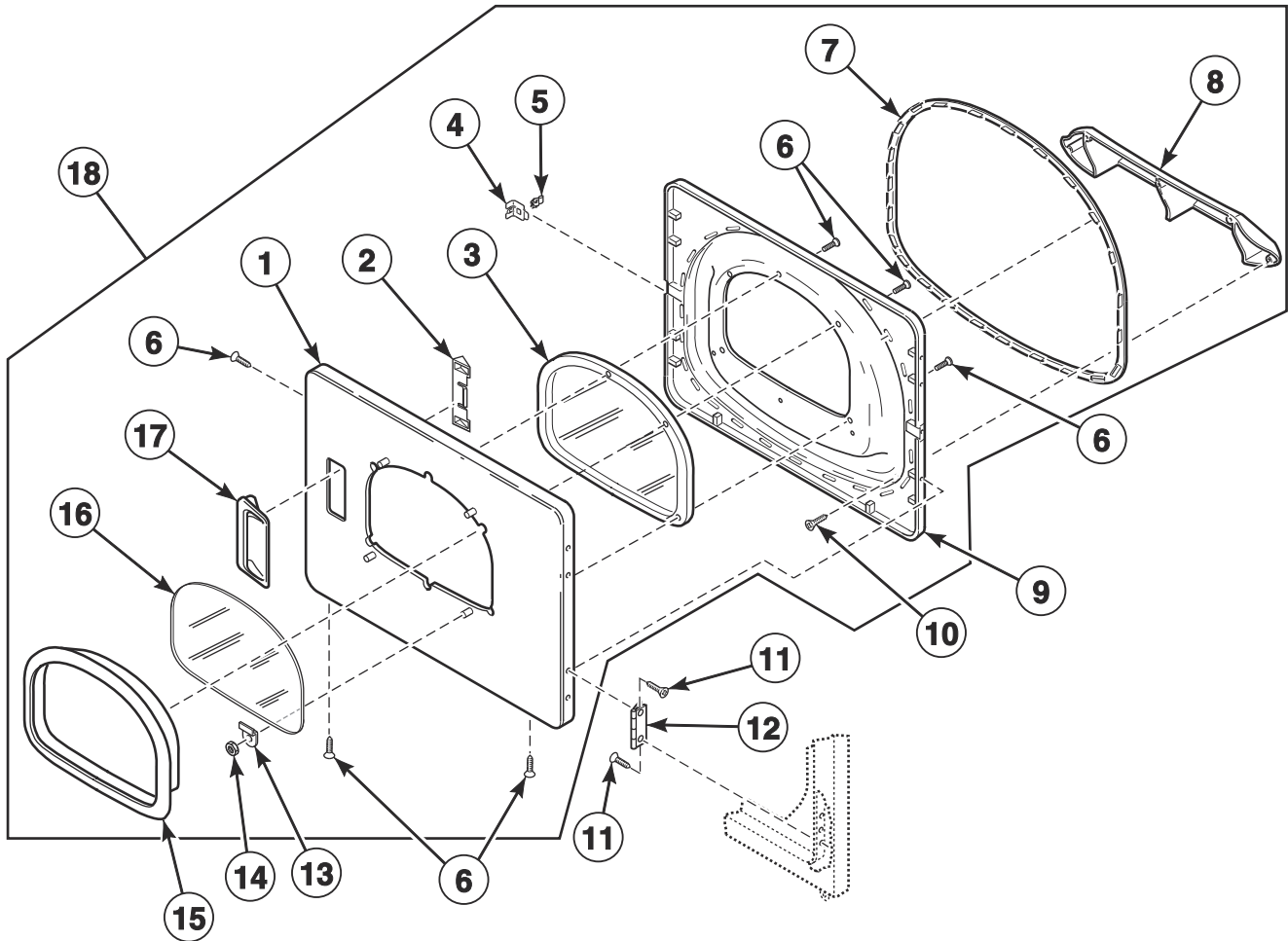
DRY1876P\_515153

## Loading Door - Without Window

REF	PART NO.	DESCRIPTION	COMMENTS
1	510127	Door Strike Mount	
2	510181	Door Strike	
3	510147P	Liner Door Seal	
4	510163WP	Liner, Seal and Grill Assembly	White; Includes item 3; Models ADG3SRGS113CW01, ADG3SRGS113TW01, ADGE8RGS113CW01, ADGE8RGS113TW01, ADGE9BGS113CW01, ADGE9BGS113TW01, ADGE9BSS113CN01, ADGE9RGS113TW01, ZDG3SRGS113CW01, ZDGE8RGS113CW01, ZDGE9BGS113CW01 and ZDGE9RGS113CW01
	510097W	Door Liner	Models ZDEE8RGS543FW01, ZDEE9BGS543FW01, ZDEE9RGS543FW01, ZDGE8RGS113FW01, ZDGE9BGS113FW01 and ZDGE9RGS113FW01
	503870W	Door Liner Grill	Models ZDEE8RGS543FW01, ZDEE9BGS543FW01, ZDEE9RGS543FW01, ZDGE8RGS113FW01, ZDGE9BGS113FW01 and ZDGE9RGS113FW01
	510289W	Liner and Seal Assembly	White; Includes item 3; Models ZDE3SRGS173FW28, ZDEE8RGS543FW01, ZDEE9BGS543FW01, ZDEE9RGS543FW01, ZDG3SRGS113FW28, ZDGE8RGS113FW01, ZDGE9BGS113FW01 and ZDGE9RGS113FW01
	513109P	Liner, Seal and Grill Assembly	Gray; Includes item 3; All other models
5	514461	Screw	
6	511036	Hinge	
7	510103WP	Door Pull and Wedge Kit	White; Includes item 8
	511213P	Door Pull and Wedge Kit	Black; Includes item 8
8	510129W	Door Handle Wedge	All models except ZDEE9BSS543FN01 and ZDGE9BSS113FN01
9	510013WP	Dryer Door	White
	512969	Dryer Door	Stainless steel

# Loading Door - With Window

Models ASEE8AGW173TW01 and ASGE8AGW113TW01



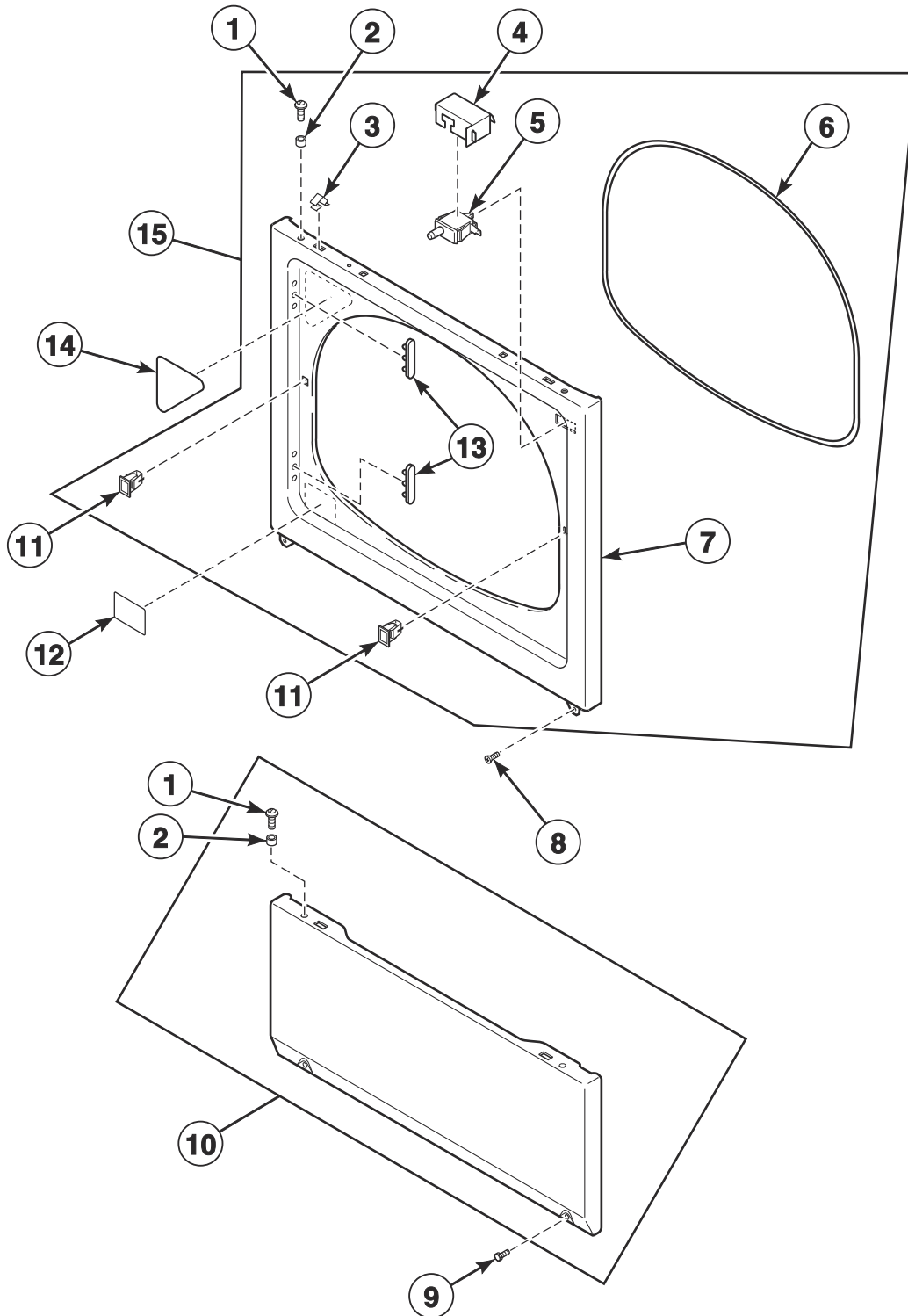
DRY2296P\_515153



## Loading Door - With Window

REF	PART NO.	DESCRIPTION	COMMENTS
1	514114W	Dryer Door Assembly	Model ASEE8AGW173TW01
	510082WP	Dryer Door	Model ASGE8AGW113TW01
2	510129	Door Handle Wedge	
3	503982P	Dryer Door Window	
4	510127	Door Strike Mount	
5	510181	Door Strike	
6	500226	Screw	
7	510147P	Liner Door Seal	
8	503870LG	Door Liner Grill	Model ASEE8AGW173TW01
	503870W	Door Liner Grill	Model ASGE8AGW113TW01
9	510098LG	Liner and Seal Assembly	Includes item 7; Model ASEE8AGW173TW01
	510098W	Liner and Seal Assembly	Includes item 7; Model ASGE8AGW113TW01
10	505870	Screw	
11	514461	Screw	
12	511036	Hinge	
13	513958	Window Clip	Model ASEE8AGW173TW01
14	44071201	Nut	Model ASEE8AGW173TW01
15	513960W	Window Trim	Model ASEE8AGW173TW01
	503981W	Window Trim	Model ASGE8AGW113TW01
16	513910	Glass Door Window	Model ASEE8AGW173TW01
17	510103WP	Door Pull and Wedge Kit	Includes item 2
18	511636WP	Door and Liner Assembly	White; Includes items 1-10, 15 and 17; Model ASGE8AGW113TW01

# Access Panel, Front Panel and Seal

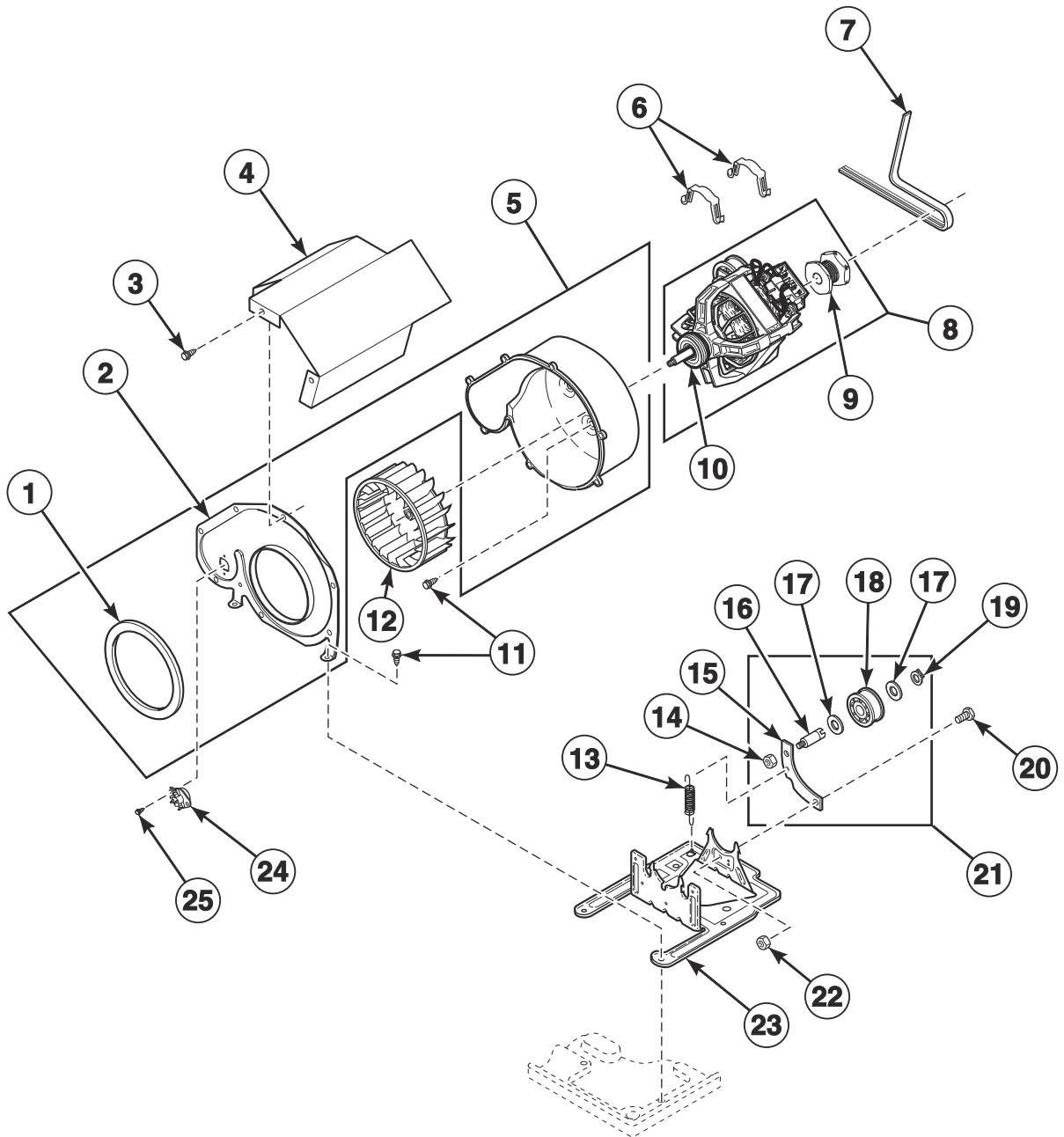


DRY2463P\_515153

## Access Panel, Front Panel and Seal

REF	PART NO.	DESCRIPTION	COMMENTS
1	39733	Screw	
2	56079	Panel Locator	
3	28835	Speed Clip	
4	514327	Drip Shield	Gray; Models ZDEE8RGS543FW01, ZDEE9BGS543FW01, ZDEE9BSS543FN01, ZDEE9RGS543FW01, ZDGE8RGS113FW01, ZDGE9BGS113FW01, ZDGE9BSS113FN01 and ZDGE9RGS113FW01
5	512973	Switch	
6	511056	Front Panel Seal	
7	512542	Front Panel	Stainless steel; Models ADEE9BSS173TN01, ADGE9BSS113CN01, ADGE9BSS113TN01, ZDEE9BSS173CN01, ZDEE9BSS543FN01, ZDGE9BSS113CN01 and ZDGE9BSS113FN01
	510066WP	Front Panel	All other models
8	503688	Screw	
9	33562	Screw	
10	514251	Access Panel Assembly	Stainless steel; Models ADGE9BSS113CN01, ADGE9BSS113TN01, ZDGE9BSS113CN01 and ZDGE9BSS113FN01
	514251	Access Panel Assembly	Stainless steel; Model ZDEE9BSS543FN01
	514253	Access Panel and Guard Assembly	Stainless steel; Models ADEE9BSS173TN01, ADGE9BSS113CN01, ZDEE9BSS173CN01 and ZDEE9BSS543FN01
	514252W	Access Panel and Guard Assembly	White; Models ADE3SRGS173CW01, ADE3SRGS173TW01, ADEE8RGS173CW01, ADEE8RGS173TW01, ADEE9BGS173CW01, ADEE9BGS173TW01, ADEE9BSS173CN01, ADEE9RGS173CW01, ADEE9RGS173TW01, ASEE8AGW173TW01, ZDE3SRGS173CW01, ZDEE8RGS173CW01, ZDEE8RGS543FW01, ZDEE9BGS173CW01, ZDEE9BGS543FW01, ZDEE9RGS173CW01 and ZDEE9RGS543FW01
	514250WP	Access Panel Assembly	White; Models ADG3SRGS113CW01, ADG3SRGS113TW01, ADGE8RGS113CW01, ADGE8RGS113TW01, ADGE9BGS113CW01, ADGE9BGS113TW01, ADGE9RGS113CW01, ADGE9RGS113TW01, ASGE8AGW113TW01, ZDE3SRGS173FW28, ZDEE8RGS543FW01, ZDEE9BGS543FW01, ZDEE9RGS543FW01, ZDG3SRGS113CW01, ZDG3SRGS113FW28, ZDGE8RGS113CW01, ZDGE8RGS113FW01, ZDGE9BGS113CW01, ZDGE9BGS113FW01, ZDGE9RGS113CW01 and ZDGE9RGS113FW01
11	510177	Door Catch Assembly	
12	502781	Lint Filter Label	Models ZDEE8RGS543FW01, ZDEE9BGS543FW01, ZDEE9BSS543FN01, ZDEE9RGS543FW01, ZDGE8RGS113FW01, ZDGE9BGS113FW01, ZDGE9BSS113FN01 and ZDGE9RGS113FW01
13	510186	Hinge Hole Plug	
14	500281	Warning/Caution Label	
	514863	Front Panel Label	Chinese; Models ZDEE8RGS543FW01, ZDEE9BGS543FW01, ZDEE9BSS543FN01, ZDEE9RGS543FW01, ZDGE8RGS113FW01, ZDGE9BGS113FW01, ZDGE9BSS113FN01 and ZDGE9RGS113FW01
15	513781WP	Front Panel Assembly	Includes items 1-7, 11, 13, 511636WP Door Assembly, (2) 511036 Hinge and (8) 500226 Screw; Models ASEE8AGW173TW01 and ASGE8AGW113TW01

# Motor, Exhaust Fan and Belt

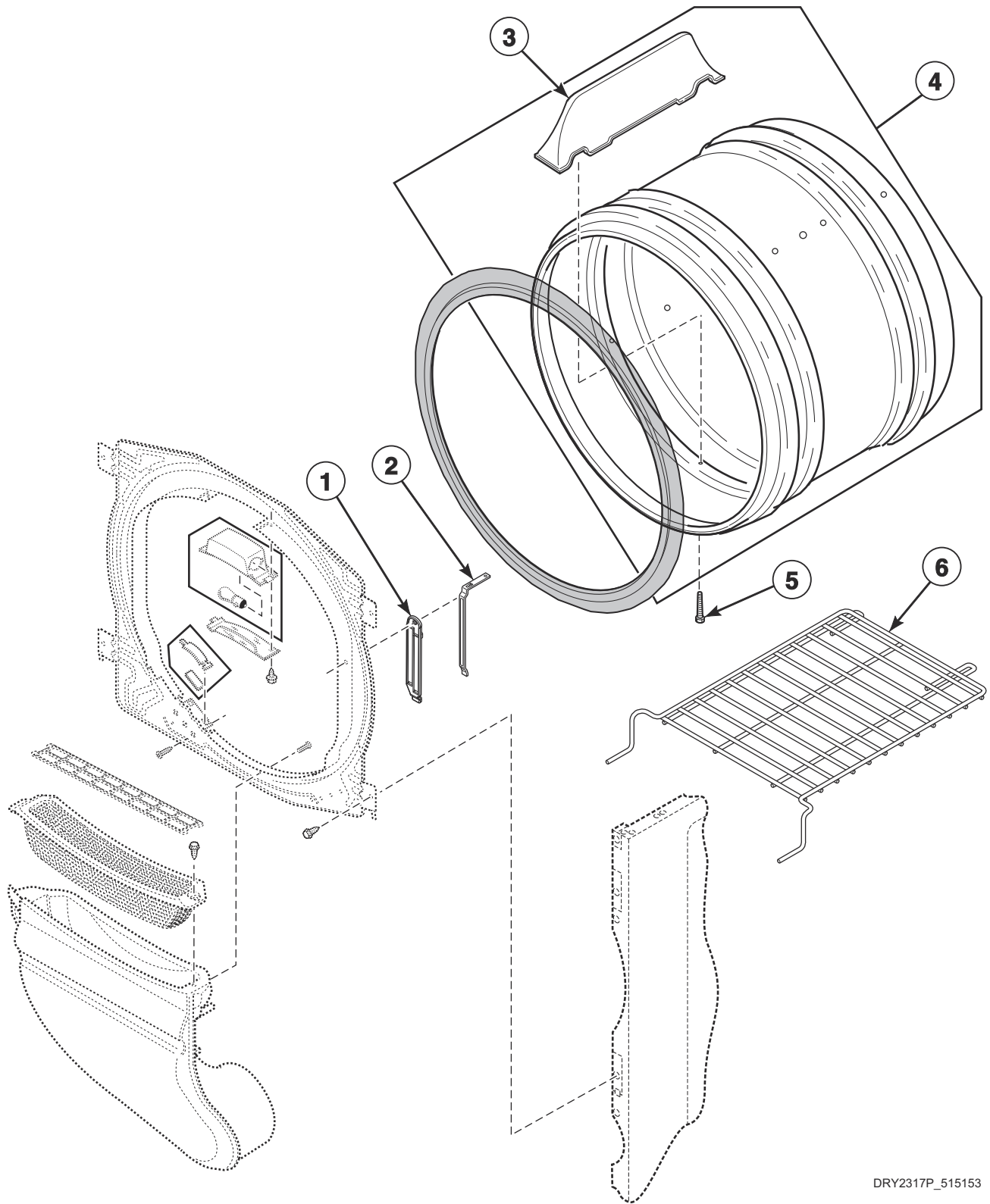


DRY2384P\_515153

## Motor, Exhaust Fan and Belt

REF	PART NO.	DESCRIPTION	COMMENTS
	27604P	Anti-Seize Compound	Apply to motor shaft when installing blower fan assembly
1	510238P	Blower Housing Seal	
2	510394	Blower Housing Cover Assembly	Models ADE3SRGS173CW01, ADE3SRGS173TW01, ZDE3SRGS173CW01 and ZDE3SRGS173FW28
	510282	Blower Housing Cover Assembly	Models ADG3SRGS113CW01, ADG3SRGS113TW01, ZDG3SRGS113CW01 and ZDG3SRGS113FW28
	510250	Blower Housing Cover Assembly	All other models
3	31260	Screw	
4	514602	Motor Shield	Gray; Models ZDEE8RGS173CW01, ZDEE9BSS543FN01, ZDEE9RGS543FW01, ZDGE8RGS113FW01, ZDGE9BGS113FW01, ZDGE9BSS113FN01 and ZDGE9RGS113FW01
5	511969WP	Blower Housing	White; Includes items 1 and 3; Models ADG3SRGS113CW01, ADG3SRGS113TW01, ADGE8RGS113CW01, ADGE8RGS113TW01, ADGE9BGS113CW01, ADGE9BGS113TW01, ADGE9BSS113CN01, ADGE9BSS113TN01, ADGE9RGS113CW01, ADGE9RGS113TW01, ASGE8AGW113TW01, ZDE3SRGS173FW28, ZDEE8RGS543FW01, ZDEE9BGS543FW01, ZDEE9BSS543FN01, ZDEE9RGS543FW01, ZDG3SRGS113CW01, ZDG3SRGS113FW28, ZDGE8RGS113CW01, ZDGE8RGS113FW01, ZDGE9BGS113CW01, ZDGE9BGS113FW01, ZDGE9BSS113CN01, ZDGE9BSS113FN01, ZDGE9RGS113CW01 and ZDGE9RGS113FW01
	511969LG	Blower Housing	Includes items 1 and 3; All other models
6	510180	Motor Mount Clamp	
7	511255P	Cylinder Belt	
8	511629P	Motor and Pulley Assembly	120 Volt/60 Hertz; Includes items 6, 9 and 10; Apply anti-seize compound to motor shaft when installing blower fan assembly
	505869P	Motor and Pulley Assembly	Single speed; Models ZDEE8RGS543FW01, ZDEE9BGS543FW01, ZDEE9BSS543FN01 and ZDEE9RGS543FW01
9	500011	Motor Pulley	60 Hertz
10	590P3	Motor Hub Ring Kit	
11	503688	Screw	
12	510139P	Blower Fan Assembly	
13	510185	Idler Spring	
14	56156	Nut	
15	510133	Idler Lever	
16	56461P	Shaft	
17	52549	Washer	
18	510142P	Idler Wheel and Bearing Assembly	
19	23748	Retaining Ring	
20	500824	Screw	
21	510158	Idler Lever and Wheel Assembly	Includes items 14 -19
22	52566	Nut	
23	510060	Motor Mount	
24	504515	Thermostat	Green; Models ADE3SRGS173CW01, ADE3SRGS173TW01, ZDE3SRGS173CW01 and ZDE3SRGS173FW28
	510707P	Thermostat	Pink/White; Models ADG3SRGS113CW01, ADG3SRGS113TW01, ZDG3SRGS113CW01 and ZDG3SRGS113FW28
	510523	Thermistor Assembly	Black; All other models
25	502535	Screw	

# Cylinder

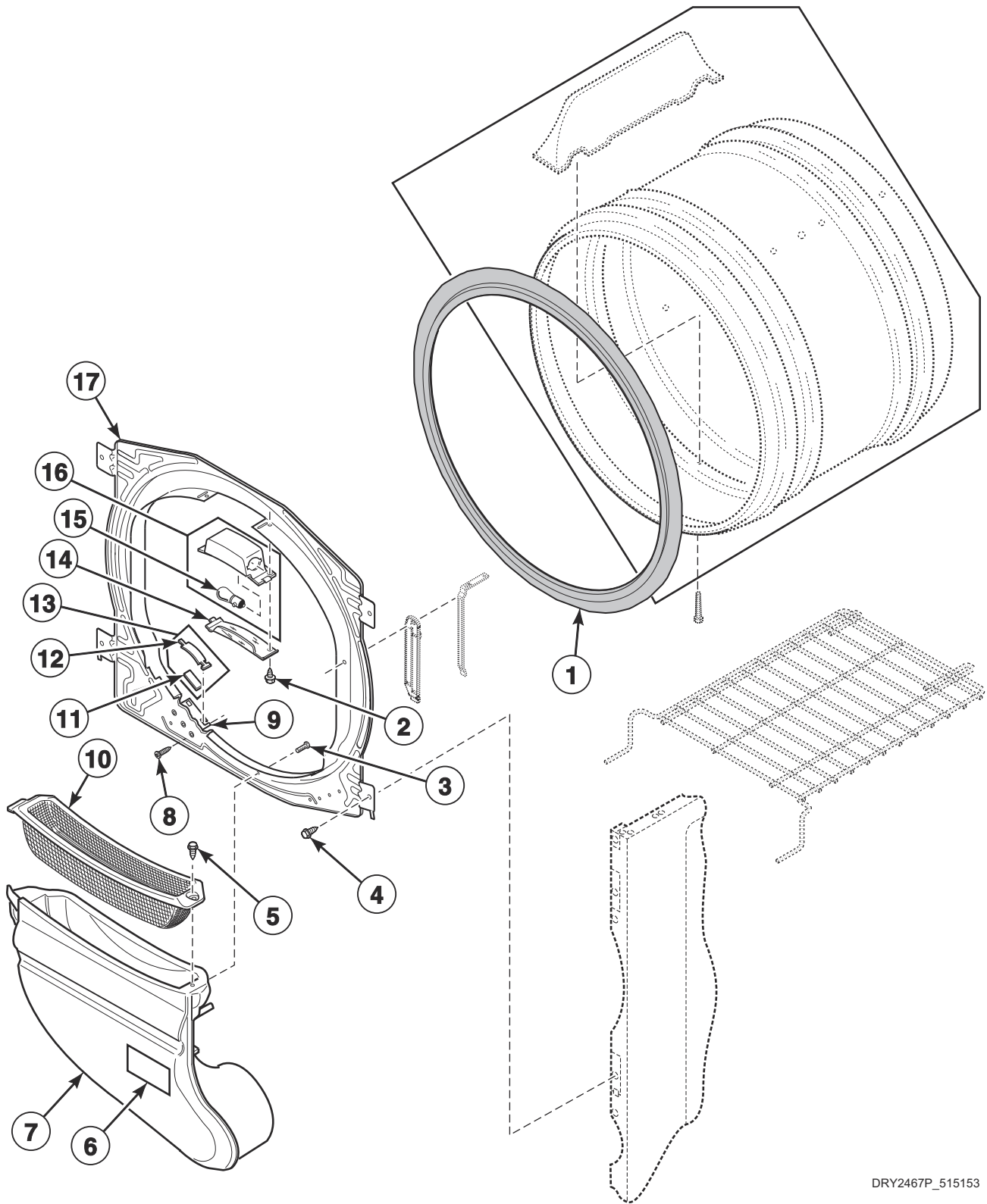


DRY2317P\_515153

# Cylinder

REF	PART NO.	DESCRIPTION	COMMENTS
1	513738	Moisture Sensor Base	All models except ADE3SRGS173TW01, ADG3SRGS113TW01, ZDE3SRGS173CW01 and ZDG3SRGS113CW01
2	513737	Bar Sensor	2 required; All models except ADE3SRGS173TW01, ADG3SRGS113TW01, ZDE3SRGS173CW01 and ZDG3SRGS113CW01
3	510102W	Cylinder Baffle	3 required; Models ADG3SRGS113CW01, ADG3SRGS113TW01, ADGE8RGS113CW01, ADGE8RGS113TW01, ADGE9BGS113CW01, ADGE9BGS113TW01, ADGE9BSS113CN01, ADGE9RGS113CW01, ADGE9RGS113TW01, ASGE8AGW113TW01, ZDG3SRGS113CW01, ZDGE8RGS113CW01, ZDGE8RGS113FW01, ZDGE9BGS113CW01, ZDGE9BGS113FW01, ZDGE9RGS113CW01 and ZDGE9RGS113FW01
	510102LG	Cylinder Baffle	3 required; Light gray; All other models
4	505929LGP	Cylinder Assembly	Stainless steel; Models ADEE9BSS173TN01, ADGE9BSS113TN01, ZDEE9BSS173CN01, ZDEE9BSS543FN01, ZDGE9BSS113CN01 and ZDGE9BSS113FN01
	510265LGP	Cylinder Assembly	Models ADE3SRGS173CW01, ADE3SRGS173TW01, ADEE8RGS173CW01, ADEE8RGS173TW01, ADEE9BGS173CW01, ADEE9BGS173TW01, ADEE9BSS173CN01, ADEE9RGS173CW01, ADEE9RGS173TW01, ASEE8AGW173TW01, ZDE3SRGS173CW01, ZDEE8RGS173CW01, ZDEE8RGS543FW01, ZDEE9BGS173CW01, ZDEE9BGS543FW01, ZDEE9RGS173CW01 and ZDEE9RGS543FW01
	510265WP	Cylinder Assembly	All other models
	510159WP	Cylinder Assembly	White; If black marks appear on clothes, replace cylinder with this part, front bulkhead with 505899WP Bulkhead Assembly and rear bulkhead with 510905WP Rear Bulkhead Assembly
5	62588	Screw	
6	512082P	Drying Rack	

# Front Bulkhead, Air Duct and Felt Seal



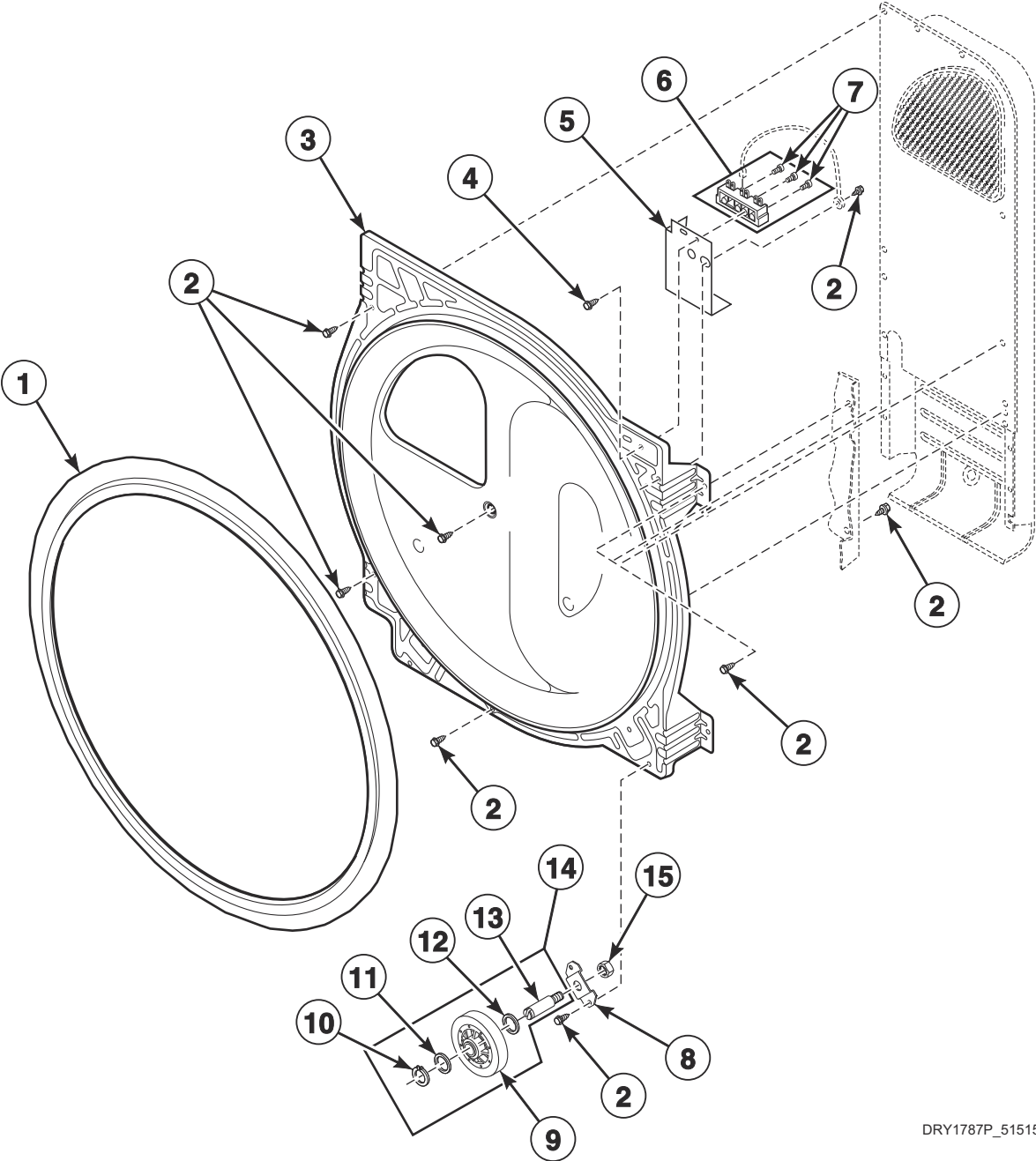
DRY2467P\_515153



## Front Bulkhead, Air Duct and Felt Seal

REF	PART NO.	DESCRIPTION	COMMENTS
1	510207P	Cylinder Seal Assembly	
	511637P	Adhesive	Apply to cylinder seal
	RB170001	Seal Kit	Includes 2 cylinder seals, 510238P Blower Housing Seal and 511637P Adhesive
2	500227	Screw	
3	501086	Screw	
4	503688	Screw	Use with painted side panels
	M405188	Screw	Use with stainless steel side panels
5	501285	Screw	
6	F8211201	Electrical Shock Label	Models ZDEE8RGS543FW01, ZDEE9BGS543FW01, ZDEE9BSS543FN01, ZDEE9RGS543FW01, ZDGE8RGS113FW01, ZDGE9BGS113FW01, ZDGE9BSS113FN01 and ZDGE9RGS113FW01
	F8211301	Pinched Fingers Label	Models ZDEE8RGS543FW01, ZDEE9BGS543FW01, ZDEE9BSS543FN01, ZDEE9RGS543FW01, ZDGE8RGS113FW01, ZDGE9BGS113FW01, ZDGE9BSS113FN01 and ZDGE9RGS113FW01
7	510151W	Air Duct Assembly	Models ADG3SRGS113CW01, ADG3SRGS113TW01, ADGE8RGS113CW01, ADGE8RGS113TW01, ADGE9BGS113CW01, ADGE9BGS113TW01, ADGE9BSS113CN01, ADGE9RGS113CW01, ADGE9RGS113TW01, ASGE8AGW113TW01, ZDEE8RGS543FW01, ZDEE9BGS543FW01, ZDEE9RGS543FW01, ZDG3SRGS113CW01, ZDGE8RGS113CW01, ZDGE8RGS113FW01, ZDGE9BGS113CW01, ZDGE9BGS113FW01, ZDGE9RGS113CW01 and ZDGE9RGS113FW01
	511404W	Air Duct and Lint Filter Assembly	Models ZDE3SRGS173FW28, ZDEE8RGS543FW01, ZDEE9BGS543FW01, ZDEE9RGS543FW01, ZDG3SRGS113FW28, ZDGE8RGS113FW01, ZDGE9BGS113FW01 and ZDGE9RGS113FW01
	510151LG	Air Duct Assembly	All other models
8	514461	Screw	
9	510145	Cylinder Glide Bracket	2 required
10	503980W	Lint Filter	Models ADG3SRGS113CW01, ADG3SRGS113TW01, ADGE8RGS113CW01, ADGE8RGS113TW01, ADGE9BGS113CW01, ADGE9BGS113TW01, ADGE9BSS113CN01, ADGE9RGS113CW01, ADGE9RGS113TW01, ASGE8AGW113TW01, ZDE3SRGS173FW28, ZDEE8RGS543FW01, ZDEE9BGS543FW01, ZDEE9RGS543FW01, ZDG3SRGS113CW01, ZDG3SRGS113FW28, ZDGE8RGS113CW01, ZDGE8RGS113FW01, ZDGE9BGS113CW01, ZDGE9BGS113FW01, ZDGE9RGS113CW01 and ZDGE9RGS113FW01
	503980LG	Lint Filter	Light gray; All other models
	11	510189	Felt Pad
12	513710	Cylinder Glide	2 required
13	RB170003	Glide Kit	Includes items 11 and 12
14	512106	Cylinder Light Lens	
15	60954	Drum Light Lamp	
16	512108	Light Housing Assembly	120 Volt; Includes item 15
	512109	Cylinder Light Assembly	240 Volt; Includes item 15; Models ZDEE8RGS543FW01, ZDEE9BGS543FW01, ZDEE9BSS543FN01 and ZDEE9RGS543FW01
17	511886	Front Bulkhead Assembly	Galvanized; Models ADE3SRGS173TW01, ADG3SRGS113TW01, ZDE3SRGS173CW01 and ZDG3SRGS113CW01
	513641	Front Bulkhead	All other models
	505899WP	Bulkhead Assembly	Models without an E in the 4th digit of the model number; White; Includes items 1-3 and 11-17; If black marks appear on clothes, replace front bulkhead with this part, cylinder with 510159WP Cylinder Assembly and rear bulkhead with 510905WP Rear Bulkhead Assembly
	515544W	Bulkhead Assembly	Models with an E in the 4th digit of the model number; White; Includes items 1-3 and 11-17; If black marks appear on clothes, replace front bulkhead with this part, cylinder with 510159WP Cylinder Assembly and rear bulkhead with 510905WP Rear Bulkhead Assembly

# Rear Bulkhead, Felt Seal, Cylinder Roller and Terminal Block



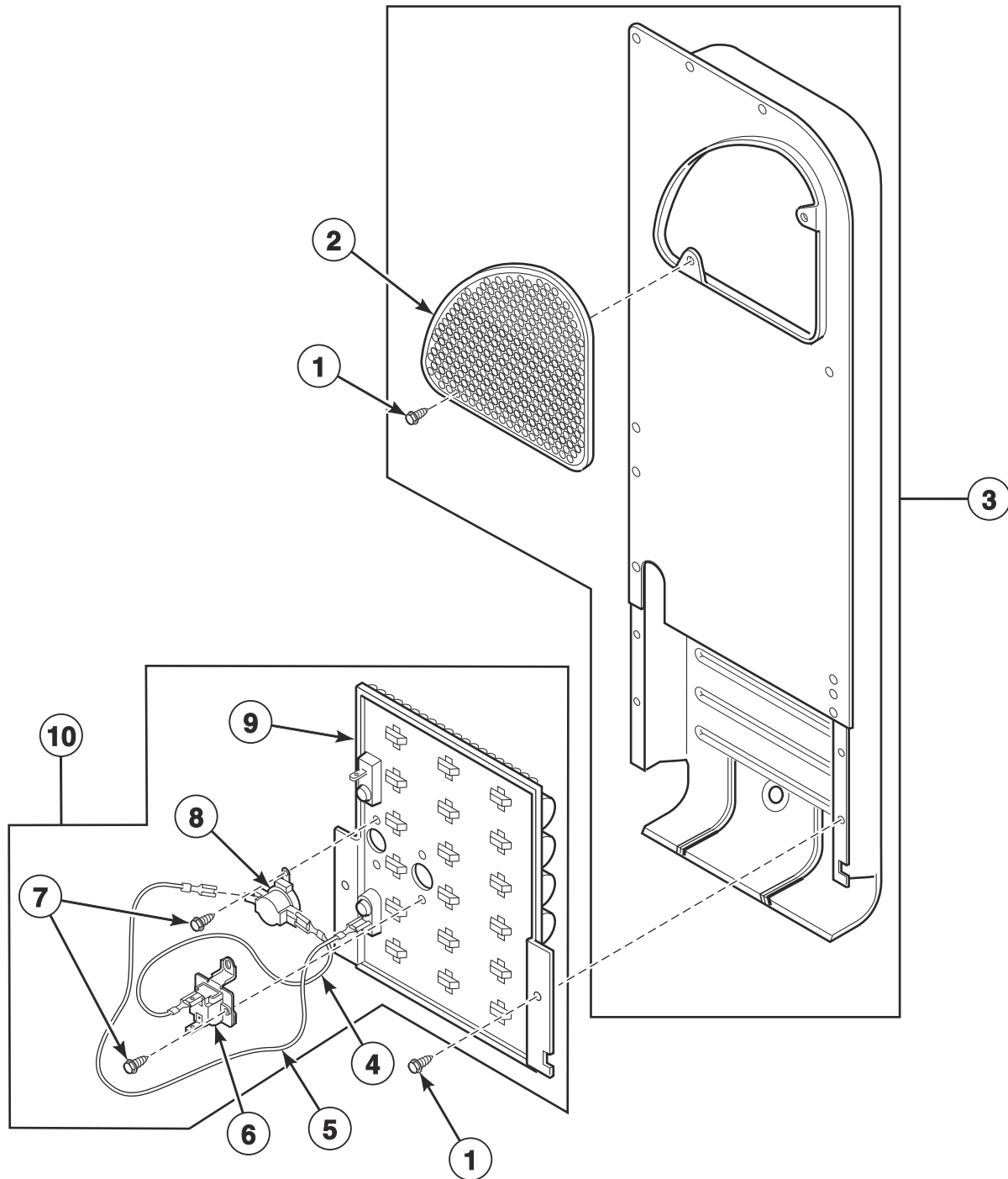
DRY1787P\_515153

# Rear Bulkhead, Felt Seal, Cylinder Roller and Terminal Block

REF	PART NO.	DESCRIPTION	COMMENTS
1	510207P	Cylinder Seal Assembly	
	511637P	Adhesive	Apply to cylinder seal
	RB170001	Seal Kit	Includes 2 cylinder seals, 510238P Blower Housing Seal and 511637P Adhesive
2	503688	Screw	
3	510043	Rear Bulkhead Assembly	Includes item 1; Models ADEE9BSS173CN01, ADEE9BSS173TN01, ADGE9BSS113CN01, ADGE9BSS113TN01, ZDEE9BSS173CN01, ZDEE9BSS543FN01, ZDGE9BSS113CN01 and ZDGE9BSS113FN01
	510041	Rear Bulkhead Assembly	Includes item 1; All other models
	510905WP	Rear Bulkhead Assembly	White; Includes item 1; If black marks appear on clothes, replace rear bulkhead with this part, cylinder with 510159WP Cylinder Assembly and front bulkhead with 505899WP Bulkhead Assembly
4	501285	Screw	Electric models
5	514330	Terminal Block Shield	Models ZDEE9BGS543FW01, ZDEE9BSS543FN01 and ZDEE9RGS543FW01
	510237	Terminal Block Shield	All other electric models
6	510190P	Terminal Block Assembly	Includes 3 of item 7; Electric models
7	61199	Screw	
8	510100	Cylinder Roller Bracket	
9	510708P	Cylinder Roller	
10	23748	Retaining Ring	
11	52549	Washer	
12	504082	Washer	
13	56461P	Shaft	
14	RB170002	Roller Kit	Includes 2 each of items 9-13
15	56156	Nut	

# Heater Duct and Element Assembly

Electric Models



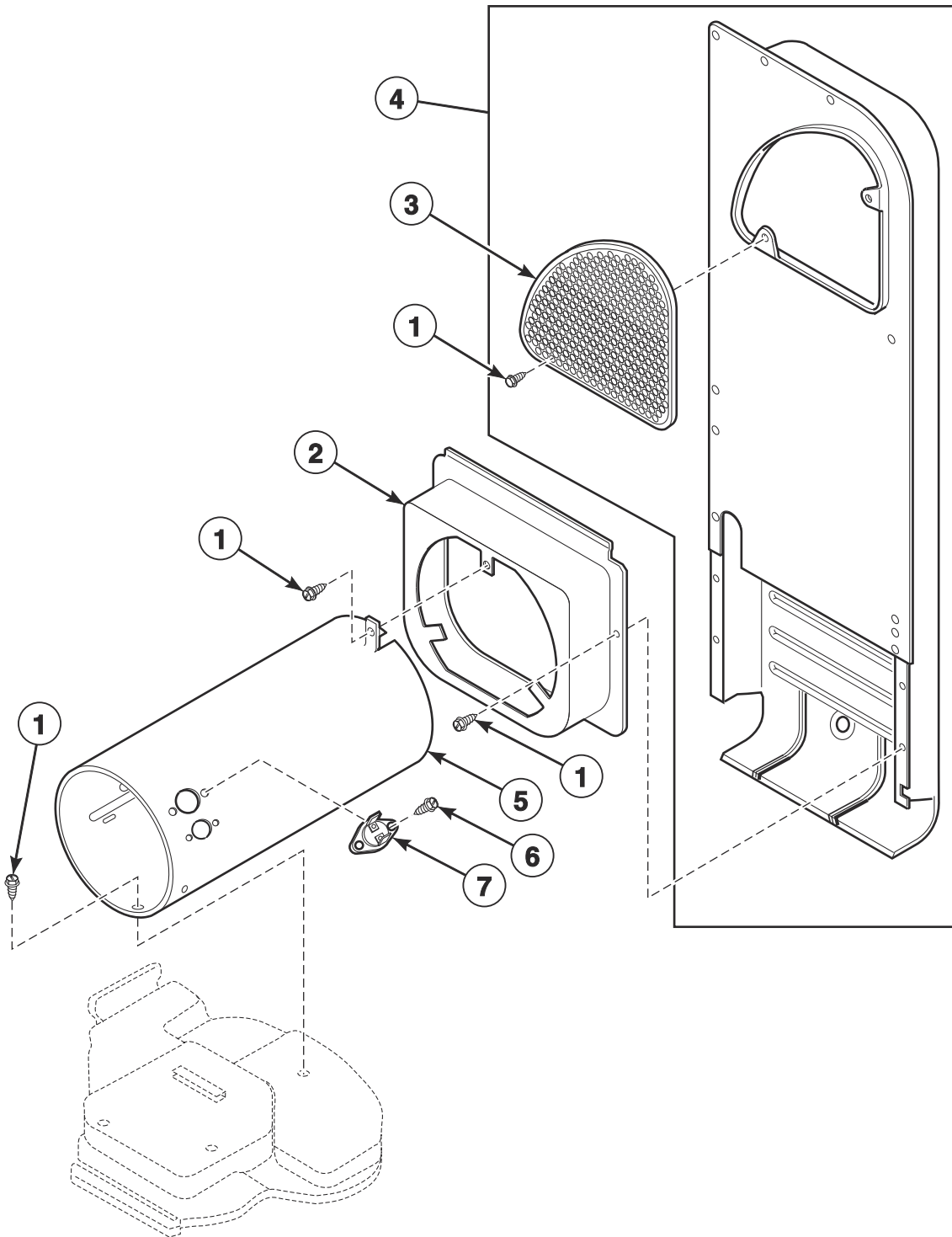
DRY1789P\_515153

## Heater Duct and Element Assembly

REF	PART NO.	DESCRIPTION	COMMENTS
1	503688	Screw	
2	500820	Outlet Cover	
	515573	Outlet Cover	Black
3	510025P	Heater Duct and Screw Assembly	Includes items 1 and 2
4	510528	Wire Assembly	Orange; Thermostat jumper; Attaches to heater assembly
5	510527	Wire Assembly	Black; Fuse jumper; Attaches to heater assembly
6	511412	Thermal Fuse Assembly	
7	23222	Screw	
8	510701	Limit Thermostat	
9	510324P	Heater Assembly	5 kW; 240 Volt; Models ADE3SRGS173CW01, ADEE8RGS173CW01, ADEE9BGS173CW01, ADEE9BSS173CN01, ADEE9RGS173CW01, ZDE3SRGS173CW01, ZDEE8RGS173CW01, ZDEE9BGS173CW01, ZDEE9BSS173CN01 and ZDEE9RGS173CW01
	510329P	Heater Assembly	5.35 kW; 240 Volt; Models ADE3SRGS173TW01, ADEE8RGS173TW01, ADEE9BGS173TW01, ADEE9BSS173TN01, ADEE9RGS173TW01, ASEE8AGW173TW01, ZDE3SRGS173FW28, ZDEE8RGS543FW01, ZDEE9BGS543FW01, ZDEE9BSS543FN01 and ZDEE9RGS543FW01
10	61927	Heater Kit Assembly	5 kW; 240 Volt/60 Hertz; Includes items 4-9
	964P3	Heater Kit	5.35 kW; 240 Volt; Includes items 4-9

# Heater Duct Assembly

Gas Models



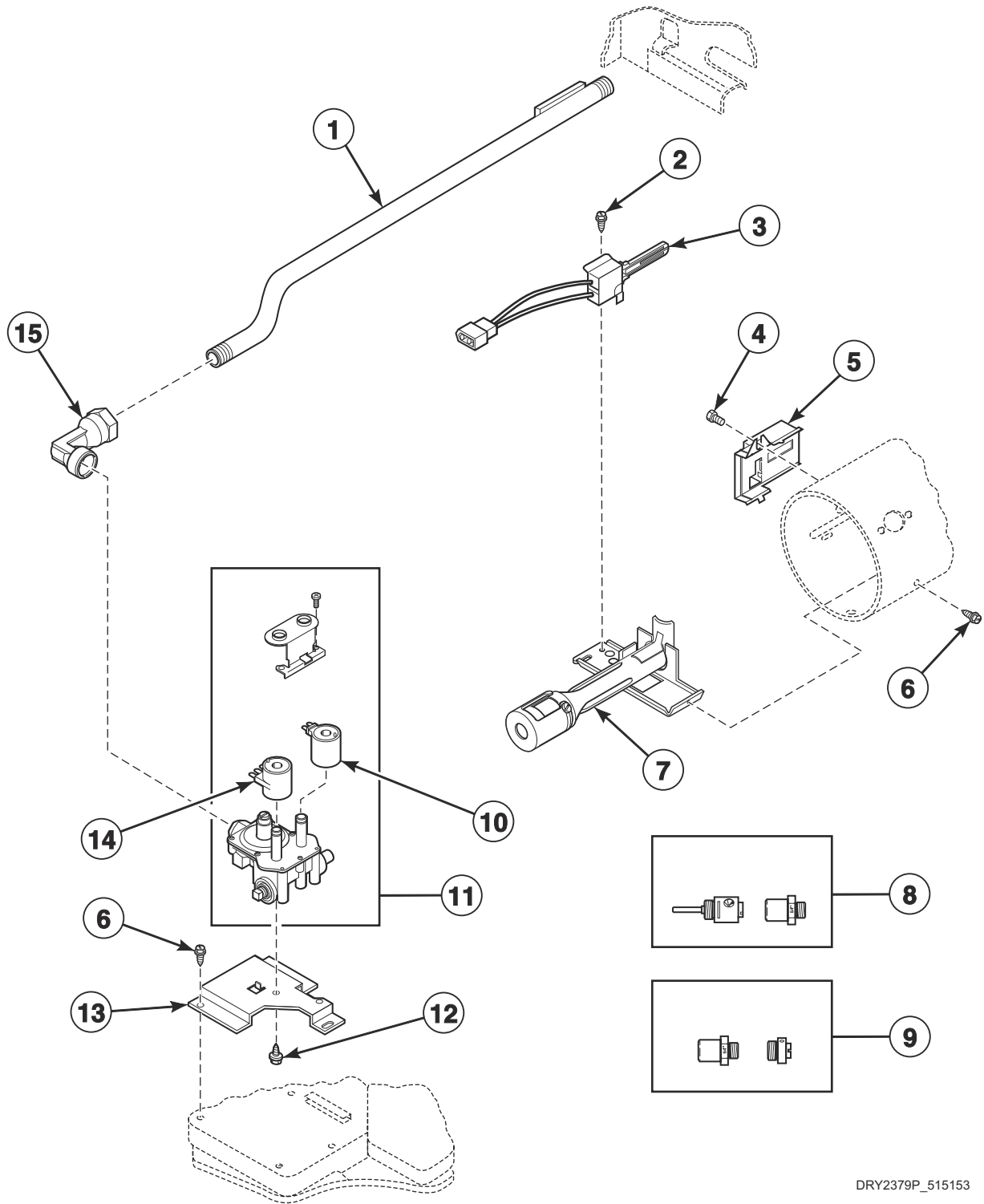
DRY2145P\_515153

# Heater Duct Assembly

REF	PART NO.	DESCRIPTION	COMMENTS
1	503688	Screw	
2	510101	Heat Duct Shroud	
3	500820	Outlet Cover	
	515573	Outlet Cover	Black
4	510025P	Heater Duct and Screw Assembly	Includes items 1 and 3
5	510131	Combustion Duct	
	510132	Combustion Duct	Models ZDGE8RGS113FW01, ZDGE9BGS113FW01, ZDGE9BSS113FN01 and ZDGE9RGS113FW01 starting Serial no. 0803010126
6	51782	Screw	
7	510702	Limit Thermostat	Black; Auto reset
	510703	Thermostat	Models ZDGE8RGS113FW01, ZDGE9BGS113FW01, ZDGE9BSS113FN01 and ZDGE9RGS113FW01 starting Serial no. 0803010126

# Gas Valve, Igniter and Gas Conversion Kits

Gas Models



DRY2379P\_515153

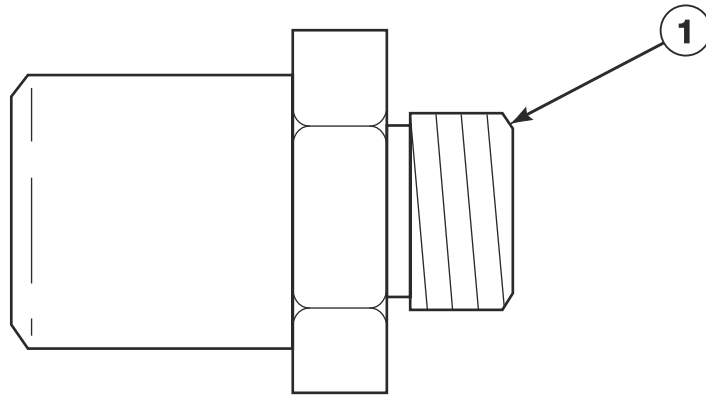


## Gas Valve, Igniter and Gas Conversion Kits

REF	PART NO.	DESCRIPTION	COMMENTS
1	510204	Lead-In Pipe Assembly	
2	51782	Screw	
3	510184P	Igniter and Bracket Assembly	
4	23222	Screw	
5	510213	Sensor	
6	503688	Screw	
7	510149P	Burner Assembly	
8	649P3	L.P. Conversion Kit	Used to convert dryers from Natural Gas (N.G.) or Mixed Gas to Liquid Petroleum Gas (L.P.); 22,500 Btu
9	650P3	N.G. Conversion Kit	Used to convert dryers from L.P. to N.G. or Mixed Gas; 22,500 Btu
10	58804B	Secondary Coil	
11	510506P	Gas Valve Assembly	22,500 Btu; Includes items 10 and 14
12	56124	Screw	
13	510128	Gas Valve Mounting Bracket	
14	58804A	Booster and Holding Coil	
15	513072	Elbow	

# Burner Orifice Spuds - For Higher Elevations

Gas Models



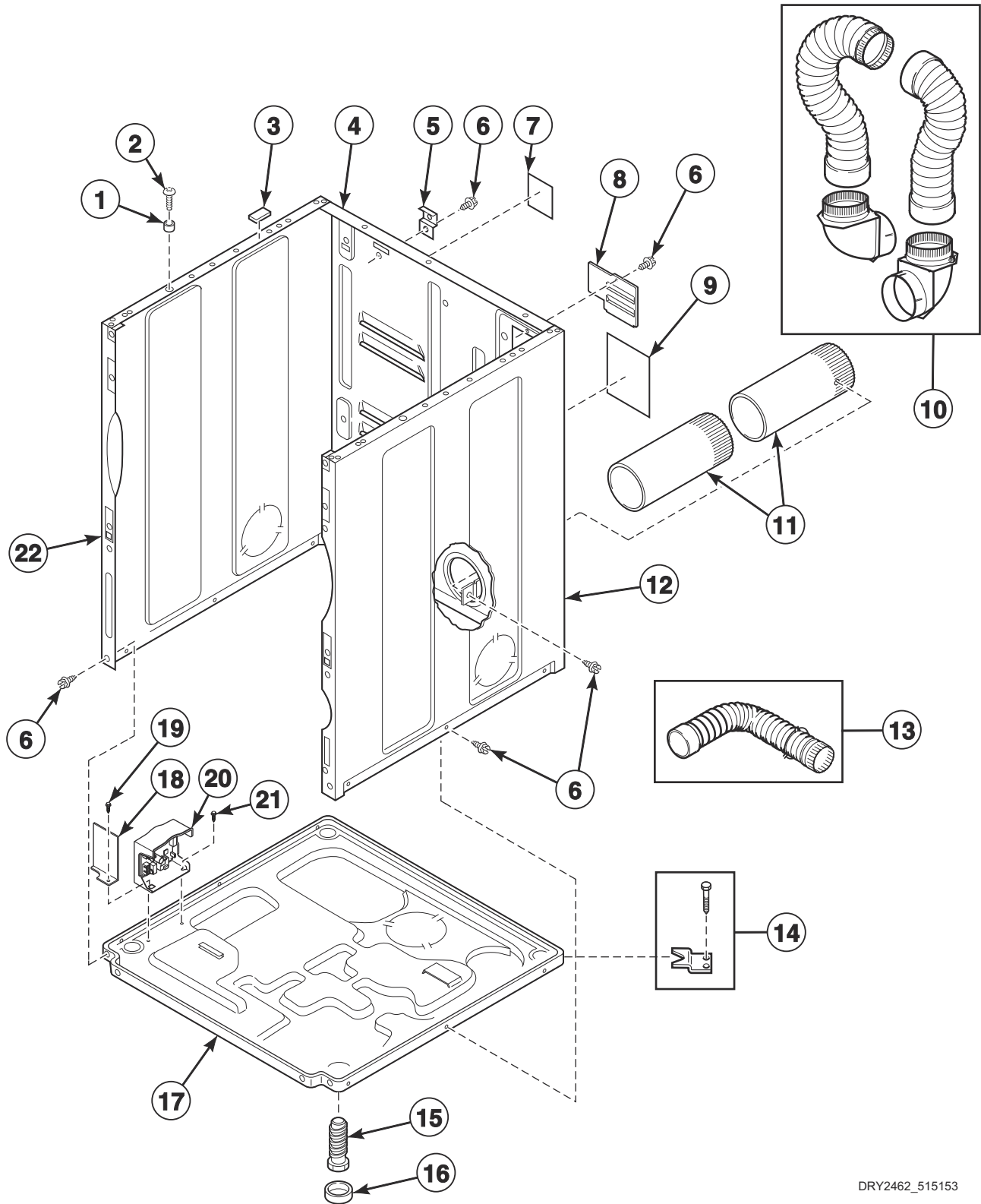
DRY2266P\_515153

## Burner Orifice Spuds - For Higher Elevations

REF	PART NO.	DESCRIPTION	COMMENTS
1	58755	L.P. Orifice	22,500 Btu; 3000-7999 feet (915-2439 m)
	503786	L.P. Orifice	22,500 Btu; 8000 feet (2440 m) and higher
	503778	N.G. Orifice	22,500 Btu; 3000-5999 feet (915-1829 m)
	58719	Screw Orifice	N.G.; 22,500 Btu; 6000-7999 feet (1830-2439 m)
	503779	N.G. Orifice	22,500 Btu; 8000-8999 feet (2440-2739 m)
	503780	N.G. Orifice	22,500 Btu; 9000-9999 feet (2740-3049 m)
	503781	N.G. Orifice	22,500 Btu; 10,000 feet (3050 m) and higher

# Cabinet, Exhaust Duct and Base - Single Dryers

All Models Except ASEE8AGW173TW01 and ASGE8AGW113TW01



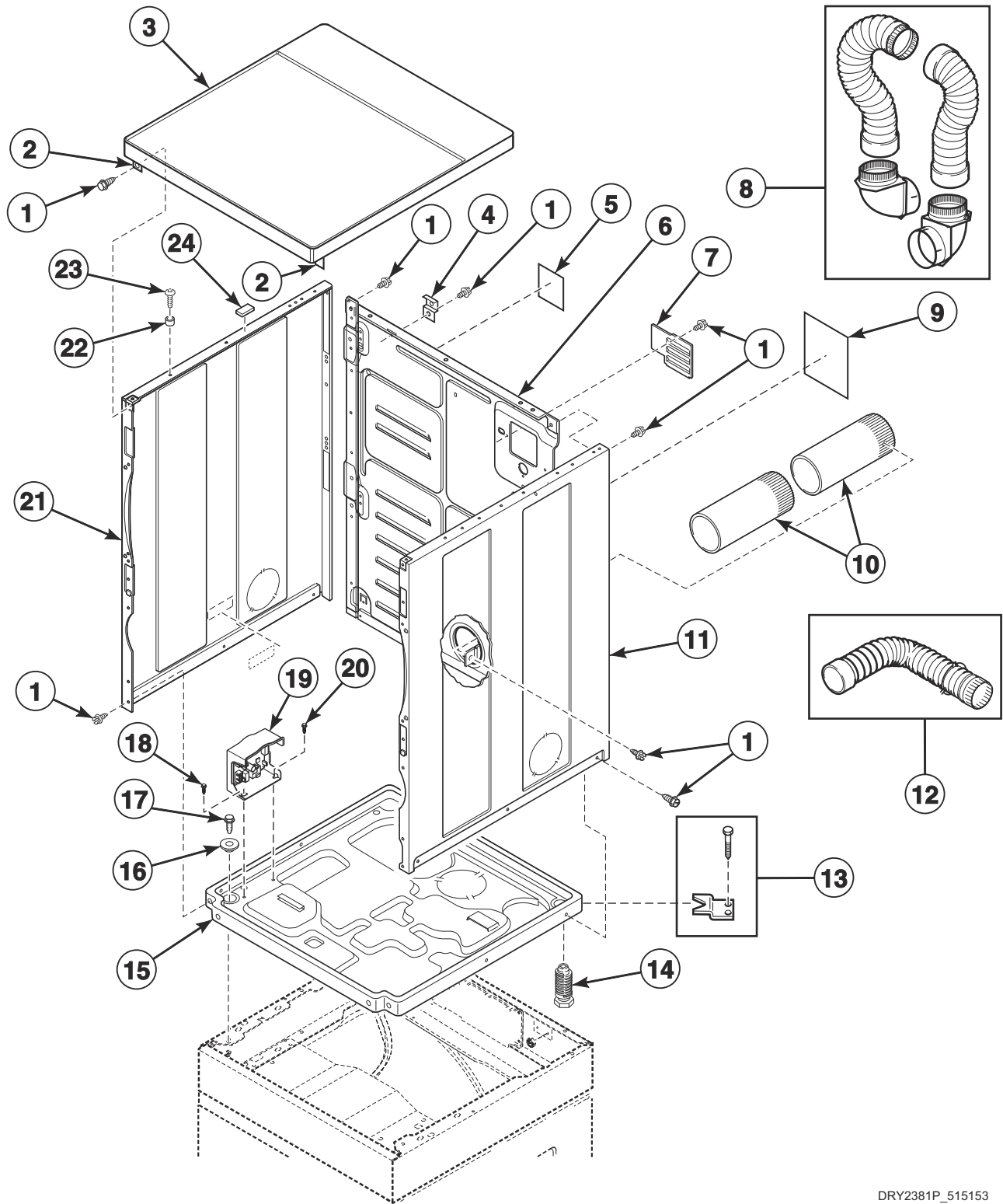
DRY2462\_515153

## Cabinet, Exhaust Duct and Base - Single Dryers

REF	PART NO.	DESCRIPTION	COMMENTS
1	56079	Panel Locator	
2	512921	Screw	Use with stainless steel side panels
	39733	Screw	Use with painted side panels
3	56128	Bumper Pad	
4	514632P	Cabinet Rear Panel	
5	510136	Top Hinge	
6	503688	Screw	
7	511004	Gas Clearance Label	Gas models
8	510903	Access Panel Plate	
9	511005	Electric Clearance Label	Electric models
10	521P3	Flexible Venting Kit	
11	510137	Exhaust Duct	Each dryer requires 2 pieces
12	512539	Cabinet Side Panel	Right; Stainless steel; Models ADEE9BSS173CN01, ADEE9BSS173TN01, ADGE9BSS113CN01, ZDEE9BSS173CN01, ZDEE9BSS543FN01, ZDGE9BSS113CN01 and ZDGE9BSS113FN01
	510002DGP	Cabinet Side Panel	Right; Gray; Model ADGE9BSS113TN01
	510002WP	Cabinet Side Panel	Right; White; All other models
13	528P3	Directional Exhaust Kit	Used to vent dryer out the sides or bottom
14	526P3	Hold Down Kit	For mobile home installations
15	510135	Leveling Leg	
16	501855	Rubber Foot	
17	514245	Dryer Base	
18	514420	Output Board Shield	Models ZDEE8RGS543FW01, ZDEE9BGS543FW01, ZDEE9BSS543FN01, ZDEE9RGS543FW01, ZDGE8RGS113FW01, ZDGE9BGS113FW01, ZDGE9BSS113FN01 and ZDGE9RGS113FW01
19	514428	Screw	All models except ADE3SRGS173CW01, ADE3SRGS173TW01, ADG3SRGS113CW01, ADG3SRGS113TW01, ZDE3SRGS173CW01, ZDE3SRGS173FW28, ZDG3SRGS113CW01 and ZDG3SRGS113FW28
20	513797P	Output Control Assembly	All models except ADE3SRGS173CW01, ADE3SRGS173TW01, ADG3SRGS113CW01, ADG3SRGS113TW01, ZDE3SRGS173CW01, ZDE3SRGS173FW28, ZDG3SRGS113CW01 and ZDG3SRGS113FW28
21	804667	Screw	All models except ADE3SRGS173CW01, ADE3SRGS173TW01, ADG3SRGS113CW01, ADG3SRGS113TW01, ZDE3SRGS173CW01, ZDE3SRGS173FW28, ZDG3SRGS113CW01 and ZDG3SRGS113FW28
22	512538	Cabinet Side Panel	Left; Stainless steel; Models ADEE9BSS173CN01, ADEE9BSS173TN01, ADGE9BSS113CN01, ZDEE9BSS173CN01, ZDEE9BSS543FN01, ZDGE9BSS113CN01 and ZDGE9RGS113CW01
	510001DGP	Cabinet Side Panel	Left; Gray; Model ADGE9BSS113TN01
	510001WP	Cabinet Side Panel	Left; White; All other models

# Cabinet, Exhaust Duct and Base - Stacked Dryers

Models ASEE8AGW173TW01 and ASGE8AGW113TW01



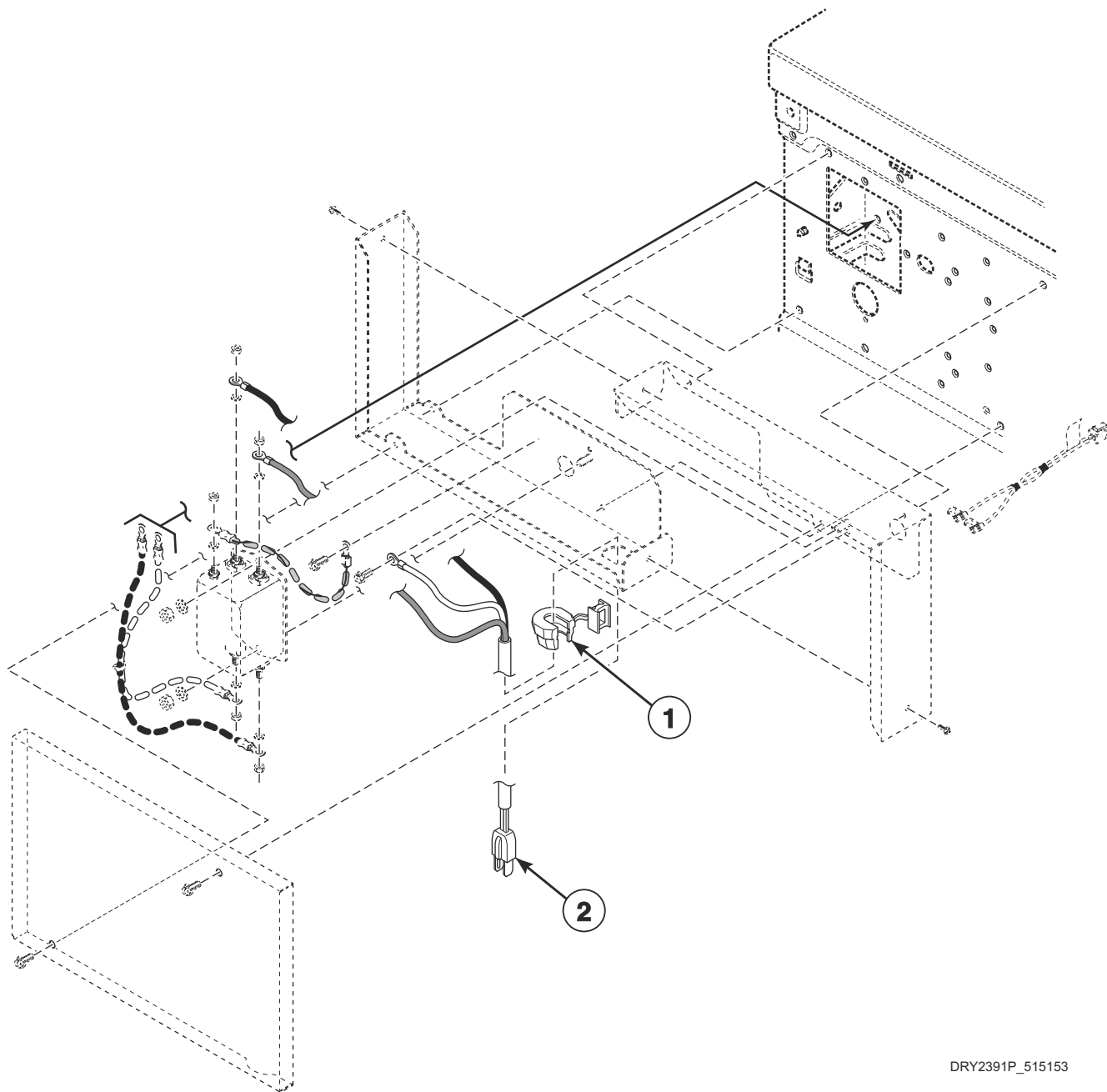
DRY2381P\_515153

## Cabinet, Exhaust Duct and Base - Stacked Dryers

REF	PART NO.	DESCRIPTION	COMMENTS
	122P4P	Porcelain Touch-Up Paint	White
1	503688	Screw	
2	510146	Bracket	
3	510032WP	Top Kit	
4	510136	Top Hinge	
5	511004	Gas Clearance Label	Model ASGE8AGW113TW01
6	514632P	Cabinet Rear Panel	
7	510903	Access Panel Plate	
8	521P3	Flexible Venting Kit	
9	511005	Electric Clearance Label	Model ASEE8AGW173TW01
10	510137	Exhaust Duct	Each dryer requires 2 pieces
11	510002WP	Cabinet Side Panel	Right
12	528P3	Directional Exhaust Kit	Used to vent dryer out the sides
13	526P3	Hold Down Kit	For mobile home installations
14	510135	Leveling Leg	
15	514245	Dryer Base	
16	26509	Washer	
17	502431	Screw	
18	514428	Screw	
19	513797P	Output Control Assembly	
20	804667	Screw	
21	510001WP	Cabinet Side Panel	Left
22	56079	Panel Locator	
23	39733	Screw	
24	56128	Bumper Pad	

# Power Cord

Models ZDEE8RGS543FW01, ZDEE9BGS543FW01, ZDEE9BSS543FN01, ZDEE9RGS543FW01, ZDGE8RGS113FW01, ZDGE9BGS113FW01, ZDGE9BSS113FN01 and ZDGE9RGS113FW01



DRY2391P\_515153

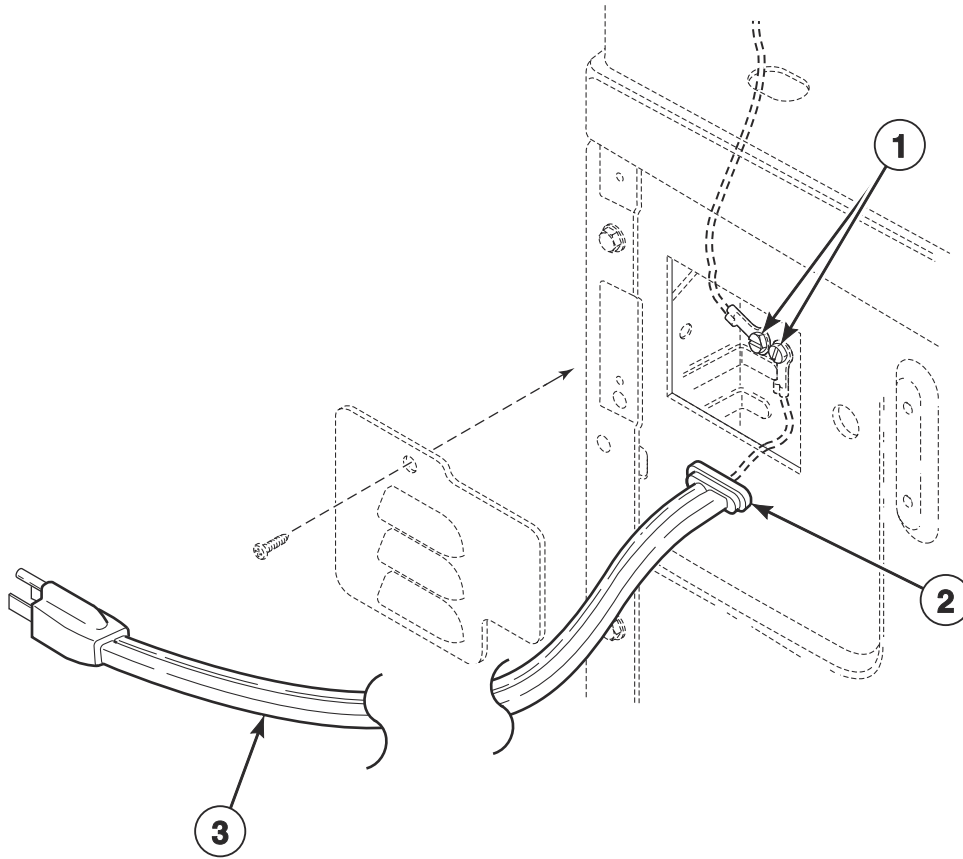


# Power Cord

REF	PART NO.	DESCRIPTION	COMMENTS
1	52113	Strain Relief	Models ZDEE8RGS543FW01, ZDEE9BGS543FW01, ZDEE9BSS543FN01 and ZDEE9RGS543FW01
	60298	Strain Relief	Models ZDGE8RGS113FW01, ZDGE9BSS113FN01 and ZDGE9RGS113FW01
2	502599	Lead-In Cord	European; Models ZDEE8RGS543FW01, ZDEE9BGS543FW01, ZDEE9BSS543FN01 and ZDEE9RGS543FW01
	503597	Lead-In Cord Assembly	Models ZDEE8RGS543FW01, ZDEE9BGS543FW01, ZDEE9BSS543FN01 and ZDEE9RGS543FW01
	514953	Lead-In Cord	Models ZDGE8RGS113FW01, ZDGE9BGS113FW01, ZDGE9BSS113FN01 and ZDGE9RGS113FW01

# Lead-In Cord

Gas Models



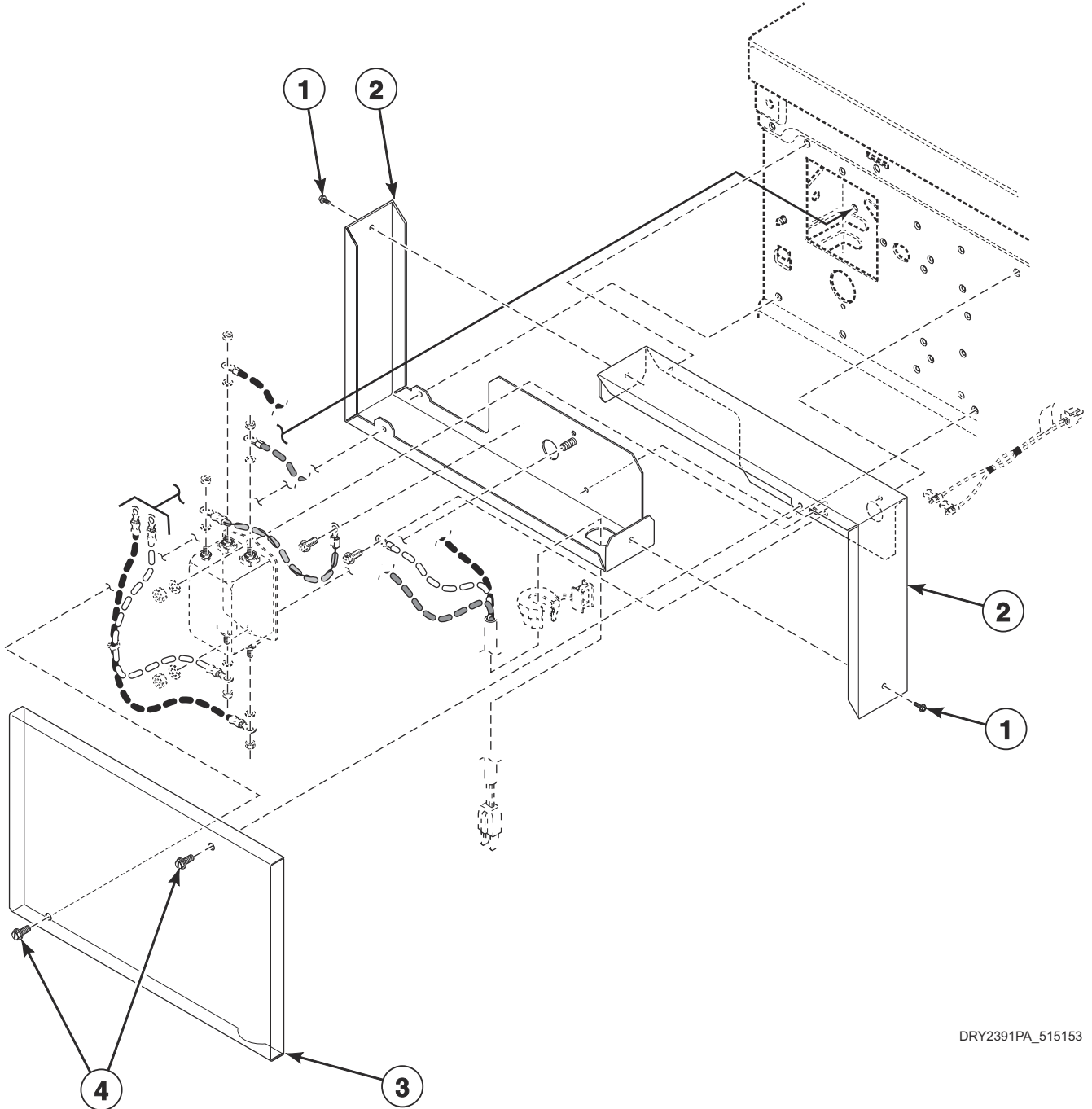
DRY1790P\_515153

# Lead-In Cord

REF	PART NO.	DESCRIPTION	COMMENTS
1	20530	Screw	
2	38384	Strain Relief	
3	56222	Lead-In Cord	Models ADG3SRGS113TW01, ADGE9BGS113CW01 and ZDG3SRGS113CW01
	201439	Lead-In Cord	Model ZDG3SRGS113FW28
	202777	Lead-In Cord	All other models

# Junction Box

Models ZDEE8RGS543FW01, ZDEE9BGS543FW01, ZDEE9BSS543FN01, ZDEE9RGS543FW01, ZDGE8RGS113FW01, ZDGE9BGS113FW01, ZDGE9BSS113FN01 and ZDGE9RGS113FW01



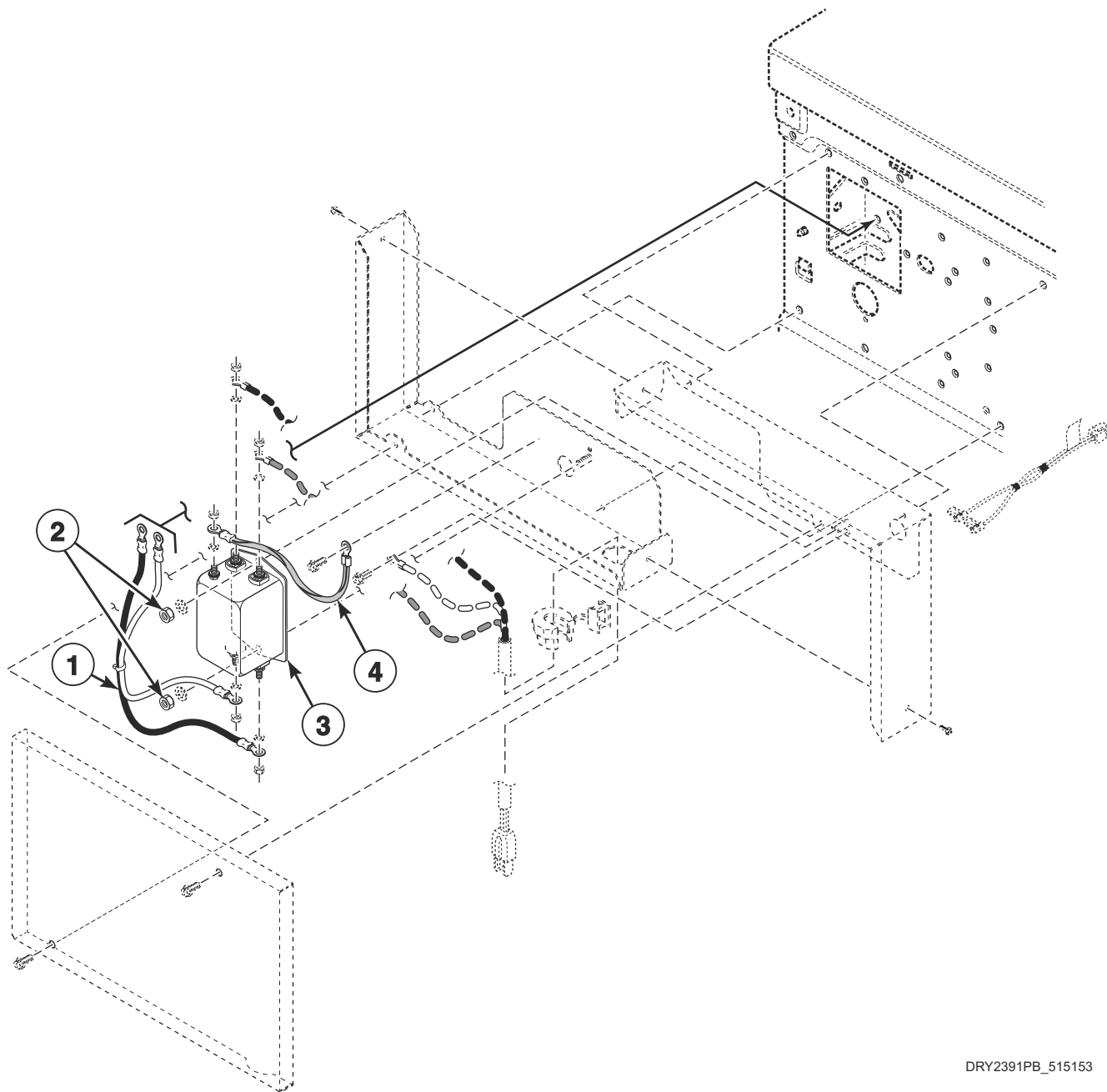
DRY2391PA\_515153

# Junction Box

REF	PART NO.	DESCRIPTION	COMMENTS
	503688	Screw	4 required
	514379P	Junction Box Seal	2 required
	514390	Junction Box Assembly	Models ZDGE8RGS113FW01, ZDGE9BGS113FW01, ZDGE9BSS113FN01 and ZDGE9RGS113FW01
	514389P	Junction Box Assembly	All other models
	514618	Terminal Block Label	Models ZDGE8RGS113FW01, ZDGE9BGS113FW01, ZDGE9BSS113FN01 and ZDGE9RGS113FW01
<b>1</b>	61199	Screw	2 required
<b>2</b>	516152	Junction Box Assembly	Models ZDGE8RGS113FW01, ZDGE9BGS113FW01, ZDGE9BSS113FN01 and ZDGE9RGS113FW01
	516153	Junction Box Assembly	All other models
<b>3</b>	514363	Junction Box Cover	
<b>4</b>	503661	Screw	2 required

# Junction Box Filter and Harnesses

Models ZDEE8RGS543FW01, ZDEE9BGS543FW01, ZDEE9BSS543FN01, ZDEE9RGS543FW01, ZDGE8RGS113FW01, ZDGE9BGS113FW01, ZDGE9BSS113FN01 and ZDGE9RGS113FW01

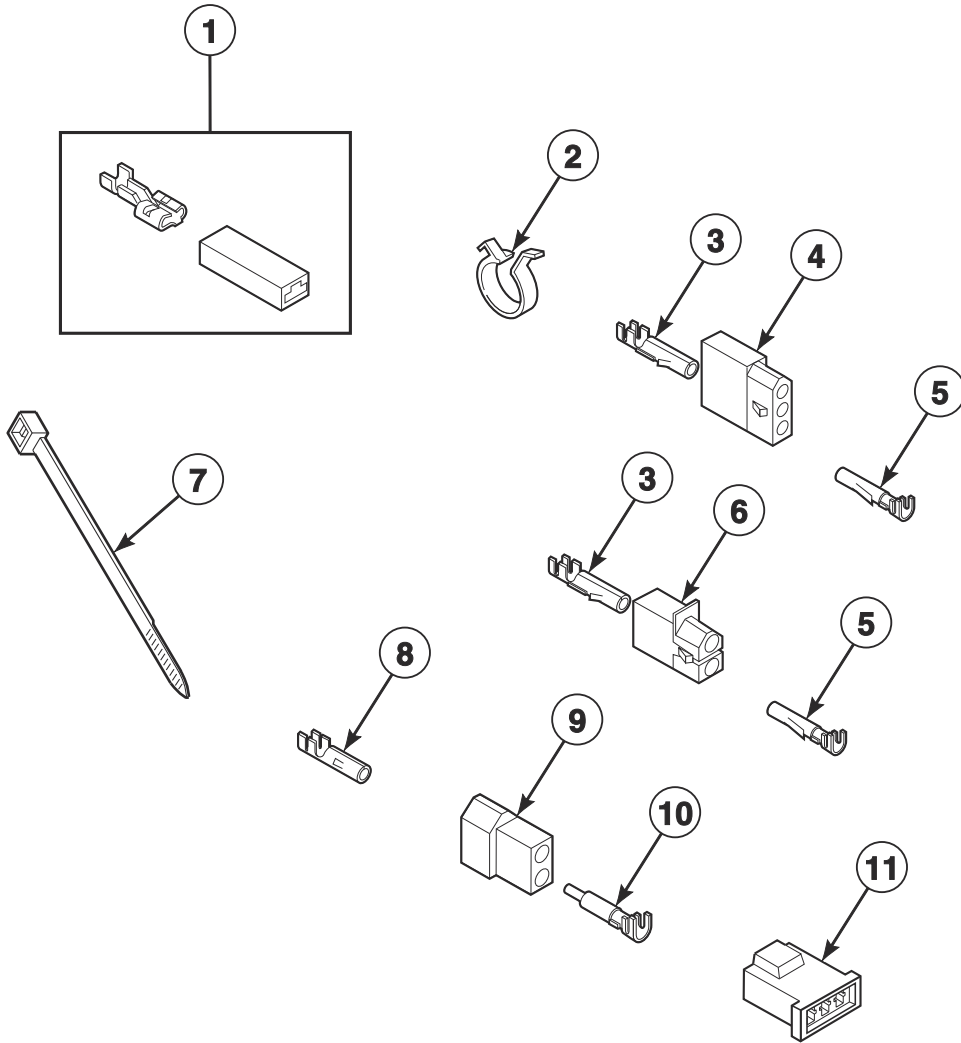


DRY2391PB\_515153

## Junction Box Filter and Harnesses

REF	PART NO.	DESCRIPTION	COMMENTS
1	514037	Filter Harness	Models ZDGE8RGS113FW01, ZDGE9BGS113FW01, ZDGE9BSS113FN01 and ZDGE9RGS113FW01
	514036	Filter Harness	All other models
2	29787	Nut	2 required
3	804864	Line Filter	Models ZDGE8RGS113FW01, ZDGE9BGS113FW01, ZDGE9BSS113FN01 and ZDGE9RGS113FW01
	804844	Line Filter	All other models
4	514039	Ground Filter Harness	Models ZDGE8RGS113FW01, ZDGE9BGS113FW01, ZDGE9BSS113FN01 and ZDGE9RGS113FW01
	514038	Ground Filter Harness	All other models

# Terminal Block and Terminals



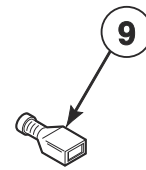
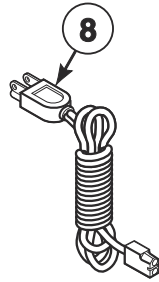
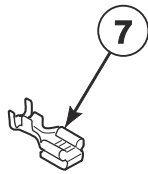
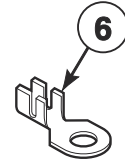
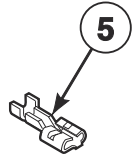
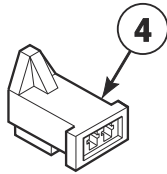
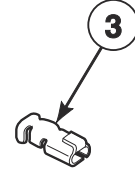
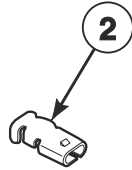
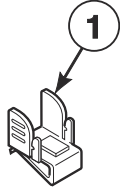
DRY1873P\_515153



## Terminal Block and Terminals

REF	PART NO.	DESCRIPTION	COMMENTS
1	00360	Insulated Female Spade Terminal	
2	504034	Wire Clip	11/16 inch
	687500	Wire Clip	1 inch
3	00117	Female Pin Terminal	Gas models
	00128	Female Pin Terminal	1/8 inch; Models ADEE9BGS173CW01, ADEE9BGS173TW01, ADEE9BSS173CN01, ADEE9BSS173TN01, ASEE8AGW173TW01, ZDEE9BGS173CW01, ZDEE9BGS543FW01, ZDEE9BSS173CN01 and ZDEE9BSS543FN01
4	23039	3 Circuit Receptacle	Model ASGE8AGW113TW01
5	00116	Male Pin Terminal	Models ADGE9BGS113CW01, ADGE9BGS113TW01, ADGE9BSS113CN01, ADGE9BSS113TN01, ASGE8AGW113TW01, ZDGE9BGS113CW01, ZDGE9BGS113FW01, ZDGE9BSS113CN01 and ZDGE9BSS113FN01
	00129	Male Pin Terminal	1/8 inch; Models ADEE9BGS173CW01, ADEE9BGS173TW01, ADEE9BSS173CN01, ADEE9BSS173TN01, ADG3SRGS113CW01, ADG3SRGS113TW01, ADGE8RGS113CW01, ADGE8RGS113TW01, ADGE9BGS113CW01, ADGE9BGS113TW01, ADGE9BSS113CN01, ADGE9BSS113TN01, ADGE9RGS113CW01, ADGE9RGS113TW01, ASEE8AGW173TW01, ASGE8AGW113TW01, ZDEE9BGS173CW01, ZDEE9BGS543FW01, ZDEE9BSS173CN01, ZDEE9BSS543FN01, ZDG3SRGS113CW01, ZDG3SRGS113FW28, ZDGE8RGS113CW01, ZDGE8RGS113FW01, ZDGE9BGS113CW01, ZDGE9BGS113FW01, ZDGE9BSS113CN01, ZDGE9BSS113FN01, ZDGE9RGS113CW01 and ZDGE9RGS113FW01
6	56451	2 Circuit Receptacle	Gas models
	56855	12 Circuit Receptacle	Models ADEE9BGS173CW01, ADEE9BGS173TW01, ADEE9BSS173CN01, ADEE9BSS173TN01, ASEE8AGW173TW01, ZDEE9BGS173CW01, ZDEE9BGS543FW01, ZDEE9BSS173CN01 and ZDEE9BSS543FN01
7	55881	Harness Strap	
8	00130	Female Pin Terminal	1/8 inch; Models ADEE9BGS173CW01, ADEE9BGS173TW01, ADEE9BSS173CN01, ADEE9BSS173TN01, ADG3SRGS113CW01, ADG3SRGS113TW01, ADGE8RGS113CW01, ADGE8RGS113TW01, ADGE9BGS113CW01, ADGE9BGS113TW01, ADGE9BSS113CN01, ADGE9BSS113TN01, ADGE9RGS113CW01, ADGE9RGS113TW01, ASEE8AGW173TW01, ASGE8AGW113TW01, ZDEE9BGS173CW01, ZDEE9BGS543FW01, ZDEE9BSS173CN01, ZDEE9BSS543FN01, ZDG3SRGS113CW01, ZDG3SRGS113FW28, ZDGE8RGS113CW01, ZDGE8RGS113FW01, ZDGE9BGS113CW01, ZDGE9BGS113FW01, ZDGE9BSS113CN01, ZDGE9BSS113FN01, ZDGE9RGS113CW01 and ZDGE9RGS113FW01
9	56266	2 Circuit Plug	Gas models
10	00127	Male Pin Terminal	1/8 inch; Models ADEE9BGS173CW01, ADEE9BGS173TW01, ADEE9BSS173CN01, ADEE9BSS173TN01, ADG3SRGS113CW01, ADG3SRGS113TW01, ADGE8RGS113CW01, ADGE8RGS113TW01, ADGE9BGS113CW01, ADGE9BGS113TW01, ADGE9BSS113CN01, ADGE9BSS113TN01, ADGE9RGS113CW01, ADGE9RGS113TW01, ASEE8AGW173TW01, ASGE8AGW113TW01, ZDEE9BGS173CW01, ZDEE9BGS543FW01, ZDEE9BSS173CN01, ZDEE9BSS543FN01, ZDG3SRGS113CW01, ZDG3SRGS113FW28, ZDGE8RGS113CW01, ZDGE8RGS113FW01, ZDGE9BGS113CW01, ZDGE9BGS113FW01, ZDGE9BSS113CN01, ZDGE9BSS113FN01, ZDGE9RGS113CW01 and ZDGE9RGS113FW01
11	58800	3 Circuit Connector	Gas models

# Terminals

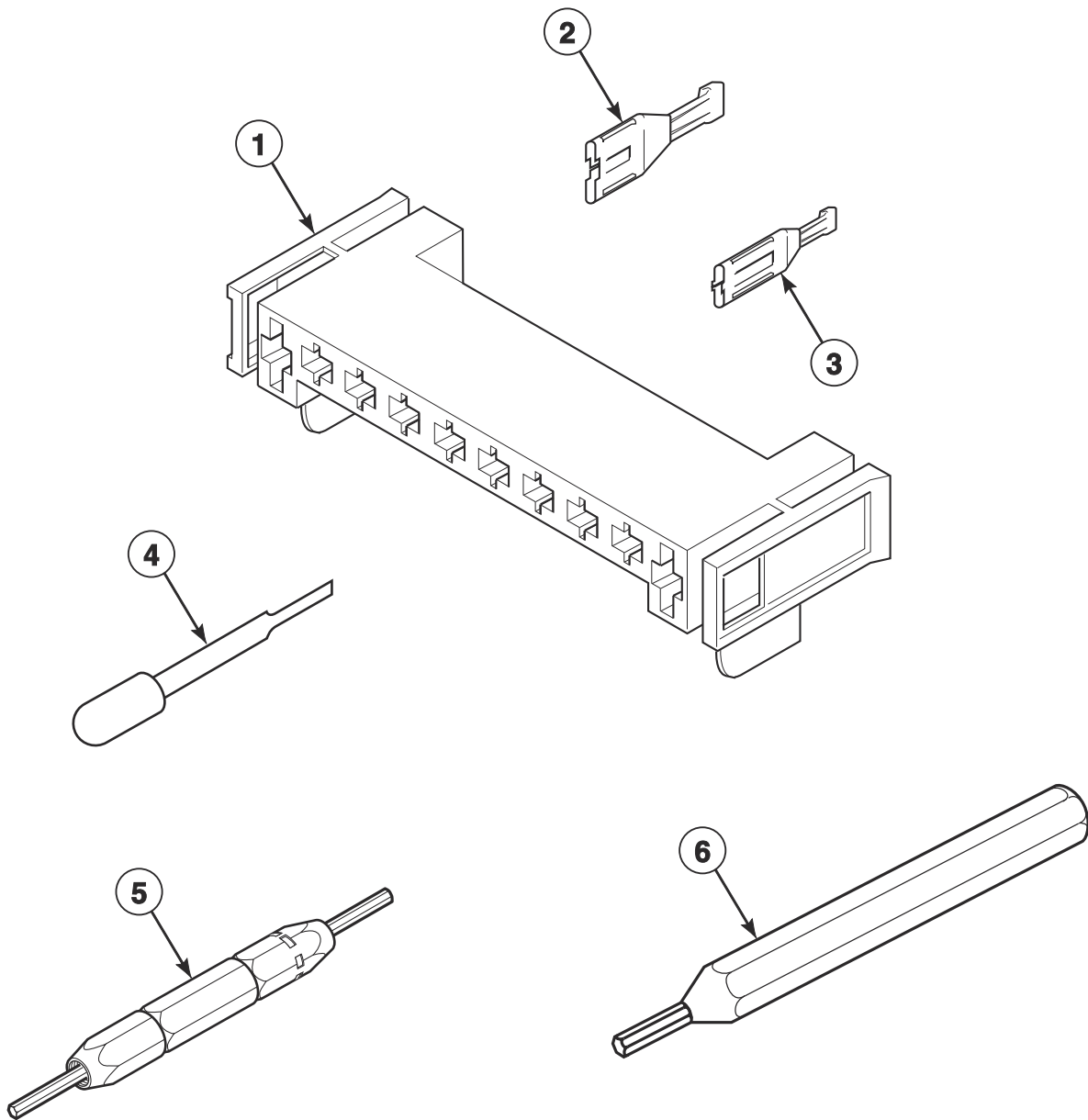


DRY2464P\_515153

# Terminals

REF	PART NO.	DESCRIPTION	COMMENTS
1	00161	Grounding Clip	
2	00189	Female Spade Terminal	1/8 inch; Gas models
3	00361	Female Piggyback Terminal	Gas models
4	58799	2 Circuit Connector	Gas models
5	00223	Female Spade Terminal	1/4 inch; (1) 18 gauge wire
	00222	Female Spade Terminal	1/4 inch; Models ZDEE8RGS543FW01, ZDEE9BGS543FW01, ZDEE9BSS543FN01 and ZDEE9RGS543FW01
6	00110	Ring Terminal	10 stud; (1) 18 gauge wire; Gas models
	00111	Ring Terminal	10 stud; (2) 18 gauge wires or (1) 12 gauge wire; Models ZDEE8RGS543FW01, ZDEE9BGS543FW01, ZDEE9BSS543FN01 and ZDEE9RGS543FW01
	00319	Ring Terminal	(2) 18 gauge wires or (1) 14 gauge wire; Models ZDGE8RGS113FW01, ZDGE9BGS113FW01, ZDGE9BSS113FN01 and ZDGE9RGS113FW01
7	00344	Female Tab Terminal	1/4 inch; Electric models
8	510505P	Lead-In Cord Assembly	Models ADE3SRGS173CW01, ADEE8RGS173CW01, ADEE9BGS173CW01, ADEE9BSS173CN01, ADEE9RGS173CW01, ZDE3SRGS173CW01, ZDE3SRGS173FW28, ZDEE8RGS173CW01, ZDEE8RGS543FW01, ZDEE9BGS173CW01, ZDEE9BGS543FW01, ZDEE9BSS173CN01, ZDEE9BSS543FN01, ZDEE9RGS173CW01 and ZDEE9RGS543FW01
9	00359	Insulated Female Spade Terminal	1/4 inch

# Terminals and Terminal Extractor Tools

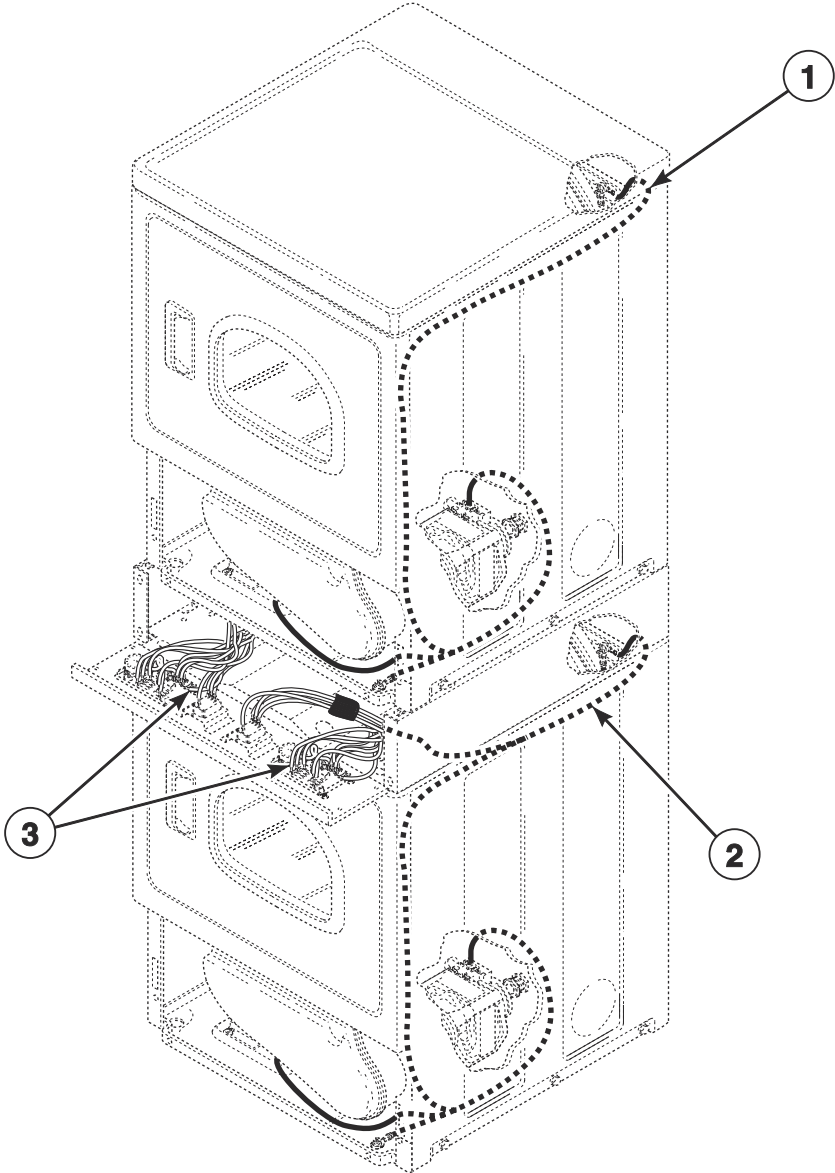


DRY1767P\_515153

## Terminals and Terminal Extractor Tools

REF	PART NO.	DESCRIPTION	COMMENTS
1	500338	10 Position Housing	
2	00255	Female Terminal	1/4 inch; (1) 12 gauge wire; Electric models
	00256	Female Terminal	1/4 inch; (1) or (2) 18 gauge wires; Gas models
3	00188	Female Terminal	For 1 or 2 wire application
4	283P4	Terminal Extractor Tool	For use on Molex connectors
5	190P4	Extractor Tool	For use on electric dryer terminals
6	128P4	Extractor Tool	For use on gas dryer terminals

# Wire Harnesses and Wires - Model ASGE8AGW113TW01



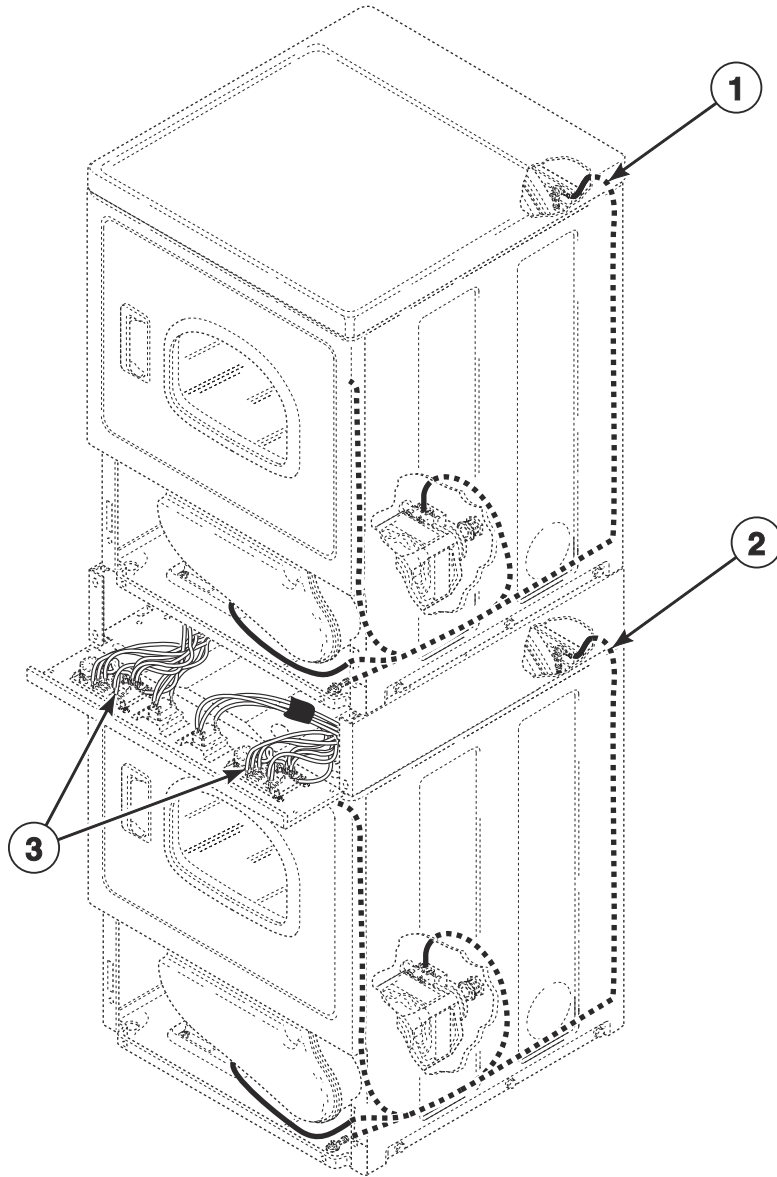
DRY2273P\_515153

## Wire Harnesses and Wires - Model ASGE8AGW113TW01

REF	PART NO.	DESCRIPTION	COMMENTS
	45380	12 Gauge Wire	Orange; Order wire by the foot; Order terminals and connectors as required
	45001	18 Gauge Wire	Black; Order wire by the foot; Order terminals and connectors as required
<b>1</b>	513971	Gas Harness	Main harness for upper dryer
<b>2</b>	513973	Gas Harness	Main harness for lower dryer
<b>3</b>	513991	Security Cabinet Harness	Control cabinet to main harness

**NOTE: Individual wires are not available separately. Order complete wire harness, or order wire by the foot. When applying terminals to wires, it is recommended that the terminals be soldered to the wires.**

# Wire Harnesses and Wires - Model ASEE8AGW173TW01



DRY2289P\_515153



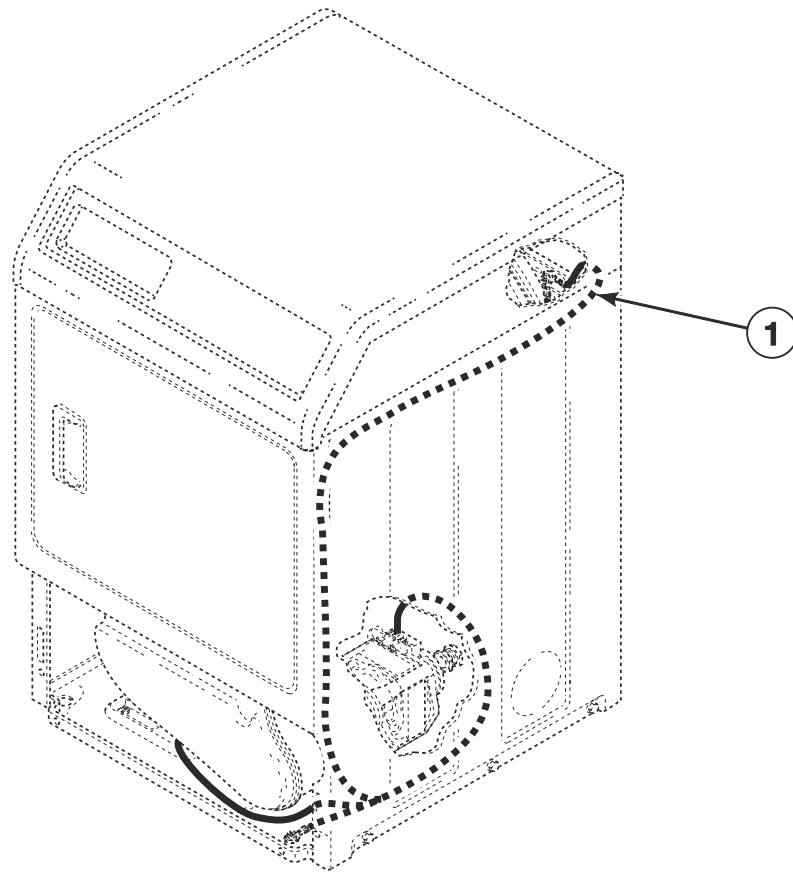
## Wire Harnesses and Wires - Model ASEE8AGW173TW01

REF	PART NO.	DESCRIPTION	COMMENTS
	45380	12 Gauge Wire	Orange; Order wire by the foot; Order terminals and connectors as required
	45001	18 Gauge Wire	Black; Order wire by the foot; Order terminals and connectors as required
<b>1</b>	513972	Upper Electric Harness	Main harness for upper dryer
<b>2</b>	513974	Electric Harness	Main harness for lower dryer
<b>3</b>	513991	Security Cabinet Harness	Control cabinet to main harness

**NOTE: Individual wires are not available separately. Order complete wire harness, or order wire by the foot. When applying terminals to wires, it is recommended that the terminals be soldered to the wires.**

# Wire Harnesses and Wires - Front Control Models (Drawing 1 of 2)

Models ADGE9BGS113CW01, ADGE9BGS113TW01, ADGE9BSS113CN01, ADGE9BSS113TN01, ZDEE9BSS543FN01, ZDGE9BGS113CW01, ZDGE9BGS113FW01, ZDGE9BSS113CN01 and ZDGE9BSS113FN01



DRY2399P\_515153

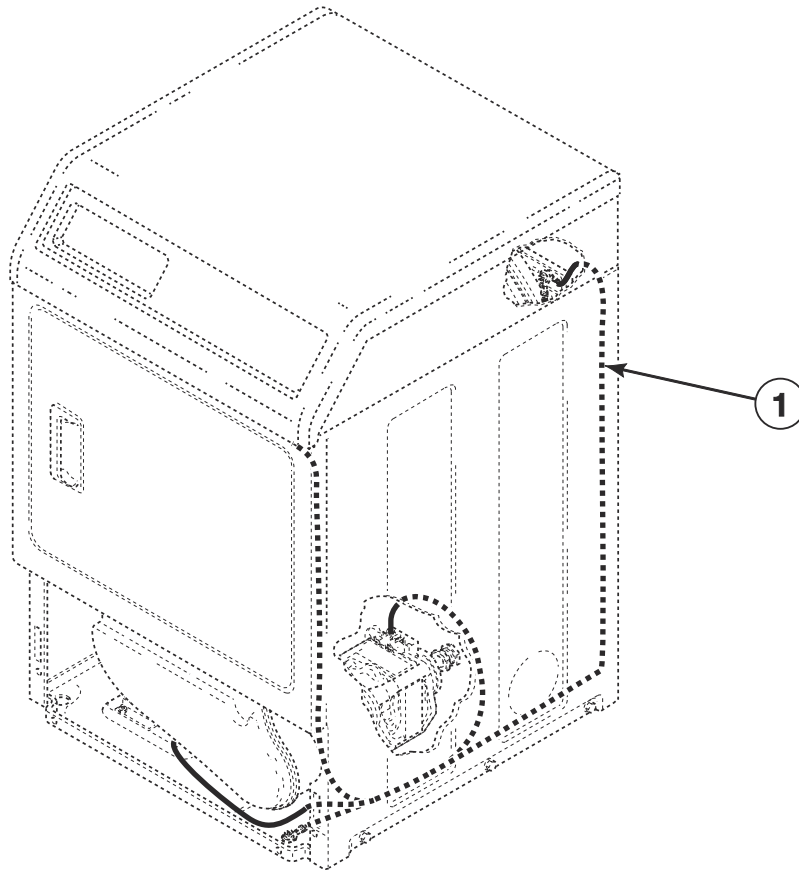
## Wire Harnesses and Wires - Front Control Models (Drawing 1 of 2)

REF	PART NO.	DESCRIPTION	COMMENTS
	45380	12 Gauge Wire	Orange; Order wire by the foot; Order terminals and connectors as required; Model ZDEE9BSS543FN01
	45001	18 Gauge Wire	Black; Order wire by the foot; Order terminals and connectors as required; Models ZDGE9BGS113FW01 and ZDGE9BSS113FN01
1	513973	Gas Harness	

**NOTE: Individual wires are not available separately. Order complete wire harness, or order wire by the foot. When applying terminals to wires, it is recommended that the terminals be soldered to the wires.**

# Wire Harnesses and Wires - Front Control Models (Drawing 2 of 2)

Models ADEE9BGS173CW01, ADEE9BGS173TW01, ADEE9BSS173CN01, ADEE9BSS173TN01, ZDEE9BGS173CW01, ZDEE9BGS543FW01, ZDEE9BSS173CN01 and ZDEE9BSS543FN01



DRY2400P\_515153

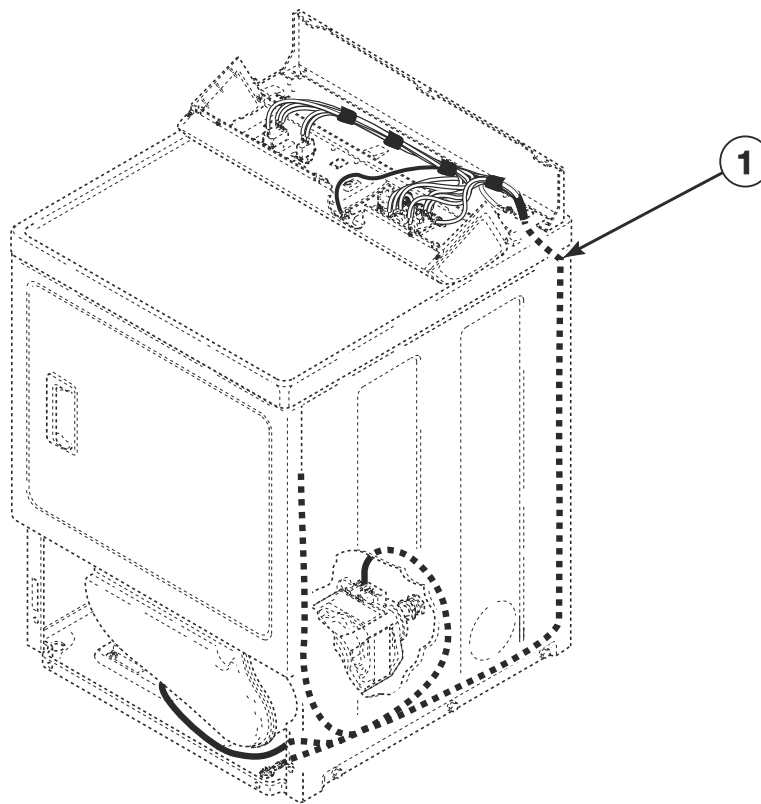
## Wire Harnesses and Wires - Front Control Models (Drawing 2 of 2)

REF	PART NO.	DESCRIPTION	COMMENTS
	45380	12 Gauge Wire	Orange; Order wire by the foot; Order terminals and connectors as required
	45477	12 Gauge Wire	Green/yellow stripe; Order wire by the foot; Order terminals and connectors as required
	45001	18 Gauge Wire	Black; Order wire by the foot; Order terminals and connectors as required
1	513974	Electric Harness	Main harness

**NOTE: Individual wires are not available separately. Order complete wire harness, or order wire by the foot. When applying terminals to wires, it is recommended that the terminals be soldered to the wires.**

## Wire Harnesses and Wires - Rear Control Models

Models ADE3SRGS173CW01, ADE3SRGS173TW01, ADEE8RGS173CW01, ADEE8RGS173TW01, ADEE9RGS173CW01, ADEE9RGS173TW01, ADG3SRGS113CW01, ADG3SRGS113TW01, ADGE8RGS113CW01, ADGE8RGS113TW01, ADGE9RGS113CW01, ADGE9RGS113TW01, ZDE3SRGS173CW01, ZDE3SRGS173FW28, ZDEE8RGS173CW01, ZDEE8RGS543FW01, ZDEE9RGS173CW01, ZDEE9RGS543FW01, ZDG3SRGS113FW28, ZDGE8RGS113CW01, ZDGE8RGS113FW01, ZDGE9RGS113CW01 and ZDGE9RGS113FW01



DRY2268P\_515153

## Wire Harnesses and Wires - Rear Control Models

REF	PART NO.	DESCRIPTION	COMMENTS
	45380	12 Gauge Wire	Orange; Order wire by the foot; Order terminals and connectors as required; Model ZDEE8RGS543FW01
	45477	12 Gauge Wire	Green/yellow stripe; Order wire by the foot; Order terminals and connectors as required; Models ZDEE8RGS543FW01 and ZDEE9RGS543FW01
	45001	18 Gauge Wire	Black; Order wire by the foot; Order terminals and connectors as required; Models ZDGE8RGS113FW01 and ZDGE9RGS113FW01
1	513986	Electric Harness	Main harness; Models ADEE8RGS173CW01, ADEE8RGS173TW01, ADEE9RGS173CW01, ADEE9RGS173TW01, ZDEE8RGS173CW01, ZDEE8RGS543FW01, ZDEE9RGS173CW01 and ZDEE9RGS543FW01
	513665	Wire Harness Assembly	Main harness; Models ADG3SRGS113CW01, ADG3SRGS113TW01 and ZDG3SRGS113FW28
	513660	Wire Harness Assembly	Main harness; Models ADE3SRGS173CW01, ADE3SRGS173TW01, ZDE3SRGS173CW01 and ZDE3SRGS173FW28
	513985	Gas Harness	Main Harness; Models ADGE8RGS113CW01, ADGE8RGS113TW01, ADGE9RGS113CW01, ADGE9RGS113TW01, ZDGE8RGS113CW01, ZDGE8RGS113FW01, ZDGE9RGS113CW01 and ZDGE9RGS113FW01

**NOTE: Individual wires are not available separately. Order complete wire harness, or order wire by the foot. When applying terminals to wires, it is recommended that the terminals be soldered to the wires.**





# Parts Index

## A

Access Panel and Guard Assembly	
514252W.....	17
514253.....	17
Access Panel Assembly	
514250WP.....	17
514251.....	17
Access Panel Plate	
510903.....	35, 37
Adhesive	
511637P.....	23, 25
Air Duct and Lint Filter Assembly	
511404W.....	23
Air Duct Assembly	
510151LG.....	23
510151W.....	23
Anti-Seize Compound	
27604P.....	19

## B

Bar Sensor	
513737.....	21
Blower Fan Assembly	
510139P.....	19
Blower Housing	
511969LG.....	19
511969WP.....	19
Blower Housing Cover Assembly	
510250.....	19
510282.....	19
510394.....	19
Blower Housing Seal	
510238P.....	19
Bolt	
29651.....	9
Booster and Holding Coil	
58804A.....	31
Bracket	
510146.....	37
Bulkhead Assembly	
505899WP.....	23
515544W.....	23
Bumper Pad	
56128.....	35, 37
Burner Assembly	
510149P.....	31

## C

Cabinet Rear Panel	
514632P.....	35, 37
Cabinet Side Panel	
510001DGP.....	35
510001WP.....	35, 37
510002DGP.....	35
510002WP.....	35, 37

512538.....	35
512539.....	35
Combustion Duct	
510131.....	29
510132.....	29
Connector, 2 Circuit	
58799.....	49
Connector, 3 Circuit	
58800.....	47
Control	
514338P.....	11
Control Access Panel	
804741.....	9
804793.....	9
Control Assembly	
514121P.....	9
515501P.....	7
515502.....	7
515503P.....	7
515504P.....	7
Control Bracket	
804611.....	9
Control Knob Assembly	
803119P.....	5
Control Overlay	
514186.....	9
514189.....	7
514191.....	7
514192.....	7
514316.....	9
515062.....	9
515630.....	9
515633.....	9
515634.....	9
Control Panel	
803960WP.....	11
Control Panel Assembly	
804659W.....	9
804660.....	9
804960.....	9
804961.....	9
Control Support Panel	
503901.....	5
804836.....	7
Control Wrapper	
804627B.....	9
804627W.....	9
804630B.....	9
804630W.....	9
Cylinder Assembly	
505929LGP.....	21
510159WP.....	21
510265LG.....	21
510265WP.....	21
Cylinder Baffle	
510102LG.....	21
510102W.....	21
Cylinder Belt	
511255P.....	19
Cylinder Glide	
513710.....	23

N/A items do not appear in index.

Cylinder Glide Bracket 510145 .....	23
Cylinder Light Assembly 512109 .....	23
Cylinder Light Lens 512106 .....	23
Cylinder Roller 510708P .....	25
Cylinder Roller Bracket 510100 .....	25
Cylinder Seal Assembly 510207P .....	23, 25

## D

Directional Exhaust Kit 528P3 .....	35, 37
Door and Liner Assembly 511636WP .....	15
Door Catch Assembly 510177 .....	17
Door Handle Wedge 510129 .....	15
510129W .....	13
Door Liner 510097W .....	13
Door Liner Grill 503870LG .....	15
503870W .....	13, 15
Door Pull and Wedge Kit 510103WP .....	13, 15
511213P .....	13
Door Strike 510181 .....	13, 15
Door Strike Mount 510127 .....	13, 15
Drip Shield 514327 .....	17
Drum Light Lamp 60954 .....	23
Dryer Base 514245 .....	35, 37
Dryer Door 510013WP .....	13
510082WP .....	15
512969 .....	13
Dryer Door Assembly 514114W .....	15
Dryer Door Window 503982P .....	15
Drying Rack 512082P .....	21

## E

Elbow 513072 .....	31
Electric Clearance Label 511005 .....	35, 37
Electric Harness 513974 .....	55, 59
513986 .....	61

N/A items do not appear in index.

Electrical Shock Label F8211201 .....	23
End Panel 504008W .....	5, 7
504009WP .....	5, 7
Exhaust Duct 510137 .....	35, 37
Expansion Clip 70030501 .....	9, 11
Extractor Tool 128P4 .....	51
190P4 .....	51

## F

Fabric Selector Switch 513505 .....	5
Felt Pad 510189 .....	23
Female Piggyback Terminal 00361 .....	49
Female Pin Terminal 00117 .....	47
00128 .....	47
00130 .....	47
Female Spade Terminal 00189 .....	49
00222 .....	49
00223 .....	49
Female Tab Terminal 00344 .....	49
Female Terminal 00188 .....	51
00255 .....	51
00256 .....	51
Filter Harness 514036 .....	45
514037 .....	45
Flexible Venting Kit 521P3 .....	35, 37
Front Bulkhead Assembly 511886 .....	23
Front Bulkhead Moisture Sensor 513641 .....	23
Front Panel 510066WP .....	17
512542 .....	17
Front Panel Assembly 513781WP .....	17
Front Panel Label 514863 .....	17
Front Panel Seal 511056 .....	17

## G

Gas Clearance Label 511004 .....	35, 37
Gas Harness 513971 .....	53
513973 .....	53, 57
513985 .....	61

Gas Valve Assembly 510506P .....	31
Gas Valve Mounting Bracket 510128 .....	31
Glass Door Window 513910 .....	15
Glide Kit RB170003 .....	23
Graphic Panel 513011W .....	5
513016W .....	5
516066W .....	5
804565 .....	7
805450 .....	7
Ground Filter Harness 514038 .....	45
514039 .....	45
Grounding Clip 00161 .....	49

## H

Harness Strap 55881 .....	47
Heat Duct Shroud 510101 .....	29
Heater Assembly 510324P .....	27
510329P .....	27
Heater Duct and Screw Assembly 510025P .....	27, 29
Heater Kit 964P3 .....	27
Heater Kit Assembly 61927 .....	27
Hinge 511036 .....	13, 15
Hinge Hole Plug 510186 .....	17
Hold Down Kit 526P3 .....	35, 37
Hood Back Panel 510099 .....	5
804169 .....	7
Housing, 10 Position 500338 .....	51

## I

Idler Lever 510133 .....	19
Idler Lever and Wheel Assembly 510158 .....	19
Idler Spring 510185 .....	19
Idler Wheel and Bearing Assembly 510142P .....	19
Igniter and Bracket Assembly 510184P .....	31
Insulated Female Spade Terminal 00359 .....	49
00360 .....	47

## J

Junction Box Assembly 514389P .....	43
514390 .....	43
516152 .....	43
516153 .....	43
Junction Box Cover 514363 .....	43
Junction Box Seal 514379P .....	43

## K

Knob Assembly 803168P .....	5
--------------------------------	---

## L

Lead-In Cord 201439 .....	41
202777 .....	41
502599 .....	39
514953 .....	39
56222 .....	41
Lead-In Cord Assembly 503597 .....	39
510505P .....	49
Lead-In Pipe Assembly 510204 .....	31
Leveling Leg 510135 .....	35, 37
Light Housing Assembly 512108 .....	23
Limit Thermostat 510701 .....	27
510702 .....	29
Line Filter 804844 .....	45
804864 .....	45
Liner and Seal Assembly 510098LG .....	15
510098W .....	15
510289W .....	13
Liner Door Seal 510147P .....	13, 15
Liner, Seal and Grill Assembly 510163WP .....	13
513109P .....	13
Lint Filter 503980LG .....	23
503980W .....	23
Lint Filter Label 502781 .....	17
L.P. Conversion Kit 649P3 .....	31
L.P. Orifice 503786 .....	33
58755 .....	33

N/A items do not appear in index.

---

**M**

Male Pin Terminal	
00116 .....	47
00127 .....	47
00129 .....	47
Moisture Sensor Base	
513738 .....	21
Motor and Pulley Assembly	
505869P .....	19
511629P .....	19
Motor Hub Ring Kit	
590P3 .....	19
Motor Mount	
510060 .....	19
Motor Mount Clamp	
510180 .....	19
Motor Pulley	
500011 .....	19
Motor Shield	
514602 .....	19

---

**N**

Nut	
29787 .....	45
44071201 .....	15
52566 .....	19
56156 .....	19, 25
N.G. Conversion Kit	
650P3 .....	31
N.G. Orifice	
503778 .....	33
503779 .....	33
503780 .....	33
503781 .....	33

---

**O**

Outlet Cover	
500820 .....	27, 29
515573 .....	27, 29
Output Board Shield	
514420 .....	35
Output Control Assembly	
513797P .....	35, 37
Overlay	
513779 .....	7
514683 .....	11

---

**P**

Panel Locator	
56079 .....	17, 35, 37
Pinched Fingers Label	
F8211301 .....	23
Plug, 2 Circuit	
56266 .....	47
Pop Rivet	
685847 .....	9

---

Porcelain Touch-Up Paint	
122P4P .....	37

---

**R**

Rear Access Panel	
803998 .....	11
804614 .....	9
Rear Bulkhead Assembly	
510041 .....	25
510043 .....	25
510905WP .....	25
Rear Wrapper Brace	
805345 .....	9
Receptacle, 12 Circuit	
56855 .....	47
Receptacle, 2 Circuit	
56451 .....	47
Receptacle, 3 Circuit	
23039 .....	47
Resistor Assembly	
511277 .....	5
Retaining Ring	
23748 .....	19, 25
Ring Terminal	
00110 .....	49
00111 .....	49
00319 .....	49
Roller Kit	
RB170002 .....	25
Rubber Foot	
501855 .....	35

---

**S**

Screw	
M405188 .....	23
20530 .....	41
23222 .....	27, 31
31260 .....	19
33562 .....	17
39733 .....	17, 35, 37
500226 .....	15
500227 .....	23
500824 .....	19
501086 .....	5, 7, 23
501285 .....	23, 25
502431 .....	37
502535 .....	19
503661 .....	43
503688 .....	9, 11, 17, 19, 23, 25, 27, 29, 31, 35, 37, 43
505870 .....	15
512921 .....	35
514428 .....	35, 37
514461 .....	13, 15, 23
51782 .....	29, 31
56124 .....	31
61199 .....	25, 43
62588 .....	21
70240301 .....	9, 11
804608 .....	9
804667 .....	35, 37
Screw Orifice	
58719 .....	33

N/A items do not appear in index.

Seal Kit	
RB170001 .....	23, 25
Secondary Coil	
58804B .....	31
Security Cabinet Harness	
513991 .....	53, 55
Security Wrapper Assembly	
804112W .....	11
Sensor	
510213 .....	31
Shaft	
56461P .....	19, 25
Shield Bracket	
804018 .....	11
Speed Clip	
28835 .....	17
Strain Relief	
38384 .....	41
52113 .....	39
60298 .....	39
Switch	
512973 .....	17

---

## T

Terminal Block Assembly	
510190P .....	25
Terminal Block Label	
514618 .....	43
Terminal Block Shield	
510237 .....	25
514330 .....	25
Terminal Extractor Tool	
283P4 .....	51
Thermal Fuse Assembly	
511412 .....	27
Thermistor Assembly	
510523 .....	19
Thermostat	
504515 .....	19
510703 .....	29
510707P .....	19
Timer	
505794P .....	5
Timer and Harness Kit	
505797P .....	5
Top Cover	
505808W .....	5, 7
Top Hinge	
510136 .....	35, 37
Top Kit	
510032WP .....	37
Top Panel	
804684 .....	9
804685WP .....	9
Top Panel Brace Assembly	
804613 .....	9
Top Panel Guide	
803761 .....	9
Top Panel Kit	
510029WP .....	5, 7

---

## U

Upper Electric Harness	
513972 .....	55

---

## W

Warning/Caution Label	
500281 .....	17
Washer	
26509 .....	37
504082 .....	25
52549 .....	19, 25
Window Clip	
513958 .....	15
Window Trim	
503981W .....	15
513960W .....	15
Wire Assembly	
510527 .....	27
510528 .....	27
510540 .....	5
Wire Clip	
504034 .....	47
687500 .....	47
Wire Harness Assembly	
513660 .....	61
513665 .....	61
Wire, 12 Gauge	
45380 .....	53, 55, 57, 59, 61
45477 .....	59, 61
Wire, 18 Gauge	
45001 .....	53, 55, 57, 59, 61

---

