

Version 2.1
September 2019
702P08151

Xerox® B1025 Multifunction Printer User Guide

© 2019 Xerox Corporation. All rights reserved. Xerox®, Xerox and Design® are trademarks of Xerox Corporation in the United States or other countries.

Apple®, AirPrint®, Bonjour®, Mac®, and Mac OS® are trademarks or registered trademarks of Apple Inc. in the United States and other countries.

Google Cloud Print™ web printing service, Gmail™ webmail service, and Android™ mobile technology platform are trademarks of Google, Inc.

HP-GL®, HP-UJ®, and PCL® are registered trademarks of Hewlett-Packard Corporation in the United States and/or other countries.

Microsoft®, OneDrive®, Windows Vista®, Windows®, and Windows Server® are registered trademarks of Microsoft Corporation in the United States and other countries.

McAfee®, ePolicy Orchestrator®, and McAfee ePO™ are trademarks or registered trademarks of McAfee, Inc. in the United States and other countries.

MOPRIA™ is a trademark of the MOPRIA Alliance Inc.

UNIX® is a trademark in the United States and other countries, licensed exclusively through X/ Open Company Limited.

Wi-Fi CERTIFIED Wi-Fi Direct® is a trademark of the Wi-Fi Alliance.

Table of Contents

1 Safety	9
Notices and Safety.....	10
Electrical Safety	11
General Guidelines.....	11
Power Cord	11
Emergency Power Off.....	12
Laser Safety.....	12
Operational Safety.....	13
Operational Guidelines.....	13
Ozone Release	13
Printer Location	14
Printer Supplies.....	14
Maintenance Safety.....	15
Printer Symbols.....	16
Environmental, Health, and Safety Contact Information	18
2 Getting Started.....	19
Parts of the Printer.....	20
Front View	20
Rear View	21
Internal Components.....	22
Document Feeder	23
Control Panel.....	24
Information Pages.....	27
Accessing and Printing the Information Pages.....	27
Printing the Configuration Report.....	27
System Administration Features.....	28
Xerox® CentreWare® Internet Services.....	28
Accessing Xerox®CentreWare® Internet Services.....	28
Locating the IP Address of the Printer	28
Automatic Data Collection.....	29
Maintenance Assistant.....	29
Viewing Billing and Usage Information.....	30
More Information	31
Installation and Setup	32
Installation and Setup Overview	32
Selecting a Location for the Printer	32
Connecting the Printer	33
Configuring Network Settings	36
Enabling the Printer for Scanning.....	36

Table of Contents

Power Saver Mode	36
Installing the Driver Software	37
Installing the Printer as a Web Service on Devices	40
Printing from a Device Using Mopria or Google Cloud Print	41
3 Using the Services	43
Copy	44
Making a Copy.....	45
Adjusting Copying Options.....	46
Selecting Book Copy	52
Copying Covers	52
Creating a Booklet	53
Scan To.....	54
Sending a Scanned Image to a Destination	55
Scanning to an Email Address	57
Scanning to a Shared Folder on a Network Computer.....	59
Initiating Scanning from a Computer.....	62
Scanning to a USB Flash Drive	63
Adjusting Scanning Options	63
Email	69
Scanning to an Email Address	70
Fax	73
Sending a Fax	74
Adjusting Faxing Options	75
Using Fax Mailboxes	79
Polling	79
ID Card Copy	81
Copying an ID Card	81
USB	83
Scanning to a USB Flash Drive	83
Printing from a USB Device	83
Saved Jobs.....	85
Printing from the Saved Jobs List	85
Address Book	86
Adding a Contact to an Address Book	86
Importing a Contact Entry into an Address Book.....	87
Editing or Deleting an Address Book Contact in Xerox® CentreWare® Internet Services	87
Job Status.....	88
Viewing Job Status on the Control Panel.....	88
Deleting an Active Print Job	88
Machine Status.....	89
Locating the IP Address of the Printer	89
Viewing Warning Messages on the Control Panel	89
Viewing Printer Supplies Status	90
Viewing Billing Meter Information	90

4 Printing.....	91
Printing Overview.....	92
Selecting Printing Options.....	93
Print Driver Help.....	93
Windows Printing Options.....	94
Macintosh Printing Options.....	95
Linux Printing Options.....	95
Mobile Printing Options.....	97
Using the Print From Feature.....	98
Printing Features.....	100
Managing Jobs.....	100
Printing Special Job Types.....	101
Selecting Paper Options for Printing.....	102
Scaling.....	102
Printing on Both Sides of the Paper.....	102
Printing Mirror Images.....	103
Printing Multiple Pages to a Single Sheet.....	103
Print Quality.....	103
Printing Booklets.....	103
Printing Cover Pages.....	104
Printing Watermarks from Windows.....	105
Selecting Print Orientation.....	105
Using Custom Paper Sizes.....	107
Printing on Custom-Sized Paper.....	107
Defining Custom Paper Sizes.....	107
5 Paper and Media.....	109
Supported Paper.....	110
Ordering Paper.....	110
General Paper Loading Guidelines.....	110
Paper That can Damage Your Printer.....	110
Paper Storage Guidelines.....	111
Supported Paper Types and Weights.....	111
Supported Standard Paper Sizes.....	112
Supported Custom Paper Sizes.....	112
Supported Paper Types and Weights for Automatic 2-Sided Printing.....	112
Supported Standard Paper Sizes for Automatic 2-Sided Printing.....	113
Supported Custom Paper Sizes for Automatic 2-Sided Printing.....	114
Loading Paper.....	115
Loading Paper in Tray 1.....	115
Loading Paper in the Optional Tray 2.....	117
Loading Paper in the Bypass Tray.....	118
6 Maintenance.....	123
Cleaning the Printer.....	124
General Precautions.....	124

Table of Contents

Cleaning the Exterior	124
Cleaning the Scanner	124
Ordering Supplies.....	127
When to Order Supplies	127
Viewing Printer Supply Status	127
Consumables	127
Routine Maintenance Items.....	128
Toner Cartridges	128
Drum Cartridges	130
Recycling Supplies.....	131
Moving the Printer	132
Viewing Billing Meter Information	133
7 Troubleshooting	135
General Troubleshooting	136
Restarting the Printer	136
Printer Fails to Power On	136
Printer Resets or Powers Off Frequently	136
Document Prints from the Wrong Tray	137
Automatic 2-Sided Printing Problems	137
Paper Tray Fails to Close.....	137
Printing Takes Too Long	138
Print Job Fails to Print.....	138
Printer Makes Unusual Noises	139
Condensation has Formed Inside the Printer	139
Toner Cartridge Status Messages	140
Drum Cartridge Status Messages	140
Paper Jams	141
Minimizing Paper Jams	141
Locating Paper Jams	142
Clearing Paper Jams	143
Troubleshooting Paper Jams	158
Print-Quality Problems.....	160
Controlling Print Quality.....	160
Solving Print-Quality Problems	160
Copy and Scan Problems.....	164
Fax Problems	165
Problems Sending Faxes.....	165
Problems Receiving Faxes.....	166
Getting Help	168
Control Panel Messages	168
Using the Integrated Troubleshooting Tools	168
Available Information Pages	169
Online Support Assistant.....	170
More Information	170
A Specifications.....	173

Printer Configurations and Options	174
Available Configurations	174
Standard Features.....	175
Physical Specifications	177
Weights and Dimensions.....	177
Physical Specifications for Standard Configuration.....	178
Clearance Requirements	178
Environmental Specifications	179
Temperature	179
Relative Humidity	179
Elevation	179
Electrical Specifications.....	180
Power Supply Voltage and Frequency.....	180
Power Consumption	180
Performance Specifications.....	181
Printer Warm-Up Times.....	181
Print Speed	181
B Regulatory Information	183
Basic Regulations.....	184
European Union.....	184
European Union Lot 4 Imaging Equipment Agreement Environmental Information	184
Eurasian Economic Community Certification	186
Germany.....	186
Turkey RoHS Regulation	186
Regulatory Information for 2.4 GHz Wireless Network Adapter.....	186
Copy Regulations	188
Copy Regulations	188
Fax Regulations.....	189
Fax Send Header Requirements.....	189
European Union.....	189
South Africa Fax Regulations.....	189
Material Safety Data Sheets	190
C Recycling and Disposal.....	191
All Countries	192
European Union.....	193
Domestic/Household Environment	193
Professional/Business Environment.....	193
Business Users in the European Union.....	193
Disposal Outside of the European Union.....	193
Battery Symbol Note.....	194
Battery Removal	194
Other Countries.....	195

Table of Contents

D Features.....	197
-----------------	-----

Safety

Your printer and the recommended supplies were designed and tested to meet strict safety requirements. Attention to the following information ensures the continued and safe operation of your Xerox printer.

This chapter contains:

- [Notices and Safety](#)..... 10
- [Electrical Safety](#) 11
- [Operational Safety](#)..... 13
- [Maintenance Safety](#)..... 15
- [Printer Symbols](#) 16
- [Environmental, Health, and Safety Contact Information](#)..... 18

Notices and Safety

Before operating your printer, read the following instructions carefully. To ensure the continued safe operation of your printer, refer to these instructions.

Your Xerox® printer and supplies are designed and tested to meet strict safety requirements. These requirements include safety agency evaluation and certification, and compliance with electromagnetic regulations and established environmental standards.

The safety and environment testing and performance of this printer was verified with Xerox® materials only.



Note: Unauthorized alterations, which can include the addition of new functions or the connection of external devices, can affect the printer certification. For more information, contact your Xerox representative.

Electrical Safety

General Guidelines

**WARNING:**

- Do not push objects into slots or openings on the printer. Touching a voltage point or shorting out a part can result in fire or electric shock.
- Unless you install optional equipment and are instructed to do so, do not remove the covers or guards that are fastened with screws. Before you perform these installations, power off the printer. When you remove covers and guards to install optional equipment, disconnect the power cord. Except for user-installable options, there are no parts that you can maintain or service behind these covers.

**WARNING:** The following are hazards to your safety:

- The power cord is damaged or frayed.
- Liquid is spilled into the printer.
- The printer is exposed to water.
- The printer emits smoke, or the surface is unusually hot.
- The printer emits unusual noise or odors.
- The printer causes a circuit breaker, fuse, or other safety device to activate.

If any of these conditions occur, do the following:

1. Power off the printer immediately.
2. Disconnect the power cord from the electrical outlet.
3. Call an authorized service representative.

Power Cord

Use the power cord supplied with your printer.

- Do not use an extension cord, or remove or modify the power cord plug.
- Plug the power cord directly into a properly grounded electrical outlet. Ensure that each end of the cord is connected securely. If you do not know if an outlet is grounded, ask an electrician to check the outlet.
- Do not use a ground adapter plug to connect the printer to an electrical outlet that does not have a ground connection terminal.



WARNING: To avoid the potential of electrical shock, ensure that the printer is grounded properly. If misused, electrical devices can be hazardous.

- Verify that the printer is plugged into an outlet that provides the correct voltage and power. If necessary, review the electrical specification of the printer with an electrician.
- Do not place the printer in an area where people can step on the power cord.
- Do not place objects on the power cord.
- Replace a frayed or worn power cord.

Safety

- To avoid electrical shock and damage to the cord, grasp the plug when you unplug the power cord.
- Ensure that the electrical outlet is near the printer and easily accessible.

The power cord is attached to the printer as a plug-in device on the back of the printer. If it is necessary to disconnect all electrical power from the printer, disconnect the power cord from the electrical outlet.

Emergency Power Off

If any of the following conditions occur, power off the printer immediately. Disconnect the power cord from the electrical outlet. To correct the problem, contact an authorized Xerox service representative if any of these conditions occur:

- The equipment emits unusual odors or makes unusual noises.
- The power cable is damaged or frayed.
- A wall panel circuit breaker, fuse, or other safety device was tripped.
- Liquid is spilled into the printer.
- The printer is exposed to water.
- Any part of the printer is damaged.

Laser Safety

This printer complies with laser device performance standards set by governmental, national, and international agencies and is certified as a Class 1 Laser Product. Because the beam is enclosed completely during all modes of customer operation and maintenance, the printer does not emit hazardous light.




Laser Warning: Use of controls, adjustments, or performance of procedures other than those items specified in this manual can result in hazardous radiation exposure.

Operational Safety

Your printer and supplies were designed and tested to meet strict safety requirements. These requirements include safety agency examination, approval, and compliance with established environmental standards.

Your attention to the following safety guidelines helps to ensure the continued, safe operation of your printer.

Operational Guidelines

- When the printer is printing, do not remove any paper trays.
 - When the printer is printing, do not open the doors.
 - When the printer is printing, do not move it.
 - Keep hands, hair, neckties, and so on, away from the printer exit and feed rollers.
 - Covers, which require tools for removal, protect the hazard areas within the printer. Do not remove the protective covers.
-  **Hot Warning:** The metallic surfaces in the Fuser area are hot. Use caution when you remove paper jams from this area and avoid touching any metallic surfaces.
- Do not override any electrical or mechanical interlock devices.
 - Do not attempt to remove paper that is jammed deeply inside the printer. Power off the printer promptly, and then contact your local Xerox representative.
 - To avoid a tip hazard, do not push or move the device when all paper trays are extended.

Ozone Release

This printer produces ozone during regular operation. The amount of ozone produced depends on copy volume. Ozone is heavier than air and is not produced in amounts large enough to harm anyone. Install the printer in a well-ventilated room.

For more information, contact your local Xerox representative, or go to www.xerox.com/environment_europe.

Printer Location

- Place the printer on a level, solid, non-vibrating surface with adequate strength to hold its weight. To find the weight for your printer configuration, refer to [Physical Specifications](#).
- Do not block or cover the slots or openings on the printer. These openings are provided for ventilation and to prevent overheating of the printer.
- Place the printer in an area where there is adequate space for operation and servicing.
- Place the printer in a dust-free area.
- Do not store or operate the printer in a hot, cold, or humid environment.
- Do not place the printer near a heat source.
- To avoid exposure to light-sensitive components, do not place the printer in direct sunlight.
- Do not place the printer where it is exposed directly to the cold air flow from an air-conditioning system.
- Do not place the printer in locations that are susceptible to vibrations.
- For optimum performance, use the printer at the elevations specified in [Elevation](#).

Printer Supplies

- Use supplies that are designed for your printer. The use of unsuitable materials can cause poor performance and a possible safety hazard.
- Follow all warnings and instructions marked on, or supplied with, the printer, options, and supplies.
- Store all consumables in accordance with the instructions provided on the package or container.
- Keep all consumables away from the reach of children.
- Do not throw toner cartridges or drum cartridges into an open flame.
- When handling cartridges, such as toner cartridges, avoid skin and eye contact with the toner. Eye contact with toner can cause irritation and inflammation. Do not attempt to disassemble the cartridge, which can increase the risk of skin and eye contact with the toner.









Maintenance Safety





- Do not attempt to perform any maintenance procedure that is not described specifically in the documentation supplied with your printer.
- Clean the printer with a dry, lint-free cloth only.
- Do not burn any consumables or routine maintenance items.
- For information on Xerox supplies recycling programs, go to www.xerox.com/gwa.



WARNING: Do not use aerosol cleaners. When used on electromechanical equipment, aerosol cleaners can cause explosions or fires.

Printer Symbols

Symbol	Description
	<p>Warning: Indicates a hazard that can cause serious injury or death if not avoided.</p>
	<p>Laser Warning Indicates that use of controls, adjustments, or performance of procedures other than those items specified in this manual can result in hazardous radiation exposure.</p>
	<p>Hot Warning: Hot surface on or in the printer. Use caution to avoid personal injury.</p>
	<p>Caution: Indicates a mandatory action to take to avoid damage to the property.</p>
	<p>Do not touch the part or area of the printer.</p>
	<p>Do not expose the drum cartridges to direct sunlight.</p>
	<p>Do not burn the toner cartridges.</p>
	<p>Do not burn the drum cartridges.</p>

Symbol	Description
	Do not touch the part or area of the printer.
	Do not use paper attached with paper clip or any other form of binding clip.
	Do not use paper attached with one or more staples.
	Do not use folded, creased, curled, or wrinkled paper.

Environmental, Health, and Safety Contact Information

For more information on Environment, Health, and Safety in relation to this Xerox printer and supplies, contact Europe: EHS-Europe@xerox.com

For printer safety information in Europe, go to www.xerox.com/environment_europe.

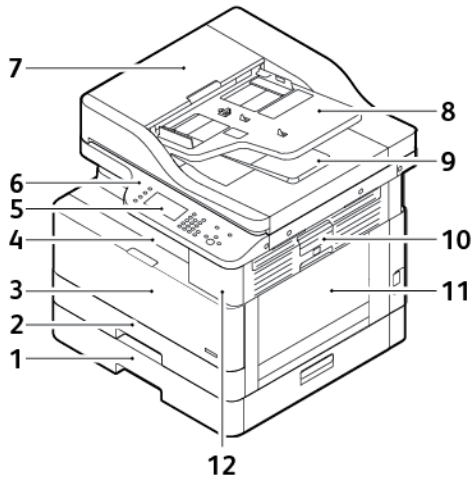
Getting Started

This chapter contains:

- [Parts of the Printer](#) 20
- [Information Pages](#) 27
- [System Administration Features](#) 28
- [More Information](#) 31
- [Installation and Setup](#) 32

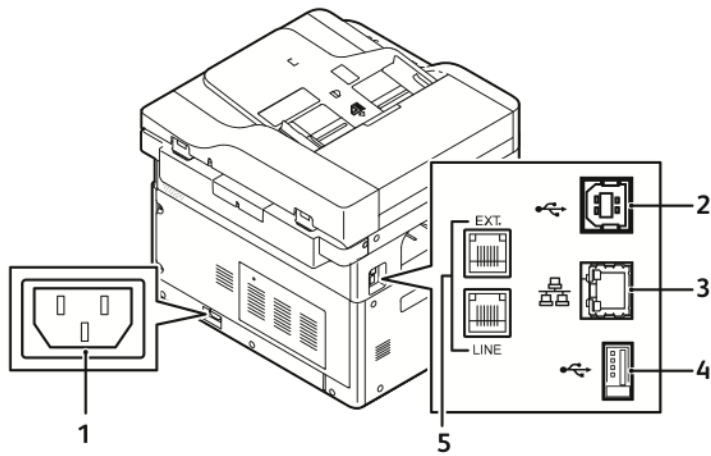
Parts of the Printer

Front View



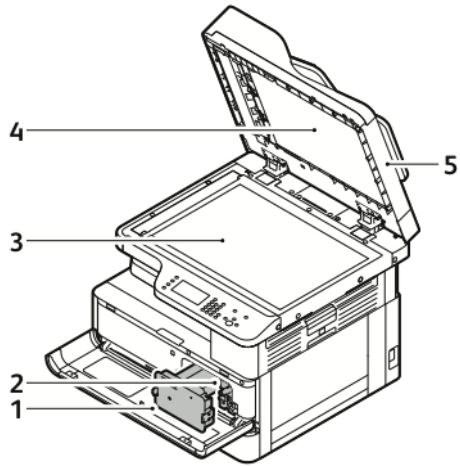
- | | |
|---|--------------------------------|
| 1. Optional Feeder Tray 2 with 250-Sheet Capacity | 7. Document Feeder Top Cover |
| 2. Tray 1 with 250-Sheet Capacity | 8. Document Feeder Input Tray |
| 3. Front Door Cover | 9. Document Feeder Output Tray |
| 4. Output Tray | 10. Side Cover Release Lever |
| 5. Touch Screen | 11. Bypass Tray |
| 6. Control Panel | 12. USB Port |

Rear View



1. Power Receptacle
2. USB Port, B-Type
3. Ethernet Connection
4. USB Port, A-Type
5. Fax Line Connection, option

Internal Components



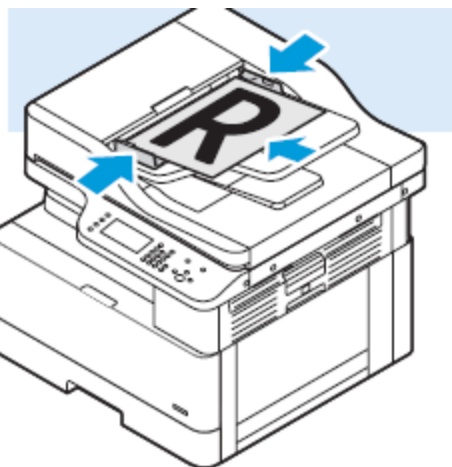
1. Toner Cartridge
2. Drum Cartridge
3. Document Glass

4. Document Glass Cover
5. Document Feeder

Document Feeder

The document feeder is a standard feature of this printer.

Using the Document Feeder



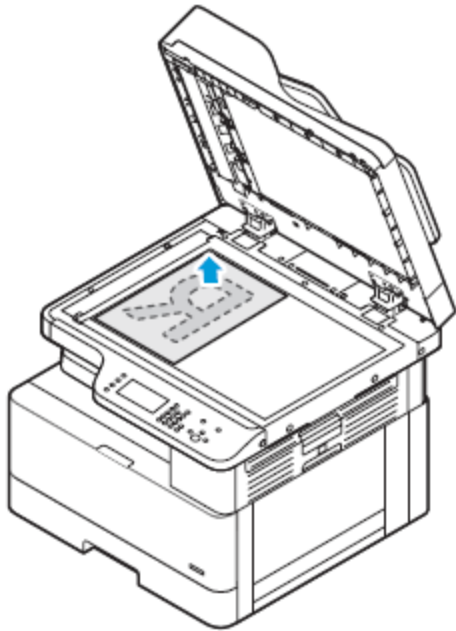
- The maximum feeder capacity is approximately 100 sheets of 80 g/m² paper.
 - For 2-sided pages, the document feeder accepts paper weights from 60–128 g/m² (16–34 lb.).
 - The document feeder accepts these paper sizes:
 - For 1-sided pages: Paper that ranges from 140 x 130 mm (5.5 x 5 in.) through 297 x 432 mm (11.7 x 17 in.)
 - For 2-sided pages: Paper that ranges from 148 x 210 mm (5.8 x 8 in.) through 297 x 432 mm (11.7 x 17 in.)
1. Insert the original documents face up in the document feeder, so that the first page is facing you.
 2. Adjust the paper guides so that they fit against the edges of the original documents.

Document Feeder Guidelines

When you load original documents into the document feeder, follow these guidelines.

- Insert originals face up, with the top of the page entering the feeder first.
- Place loose sheets of paper only in the document feeder.
- Adjust the paper guides so that they fit against the edges of the original documents.
- Insert paper in the document feeder only when ink on the paper is dry.
- Do not load original documents above the MAX fill line.

Using the Document Glass



1. Lift the document cover.
2. Place the first page face down in the upper-left corner of the document glass.
3. Align the original documents to the matching paper size printed on the edge of the glass.

Document Glass Guidelines

The document glass accommodates original document page sizes up to 297 x 432 mm (11.69 x 17 in.). Use the document glass to copy or scan the following types of originals documents:

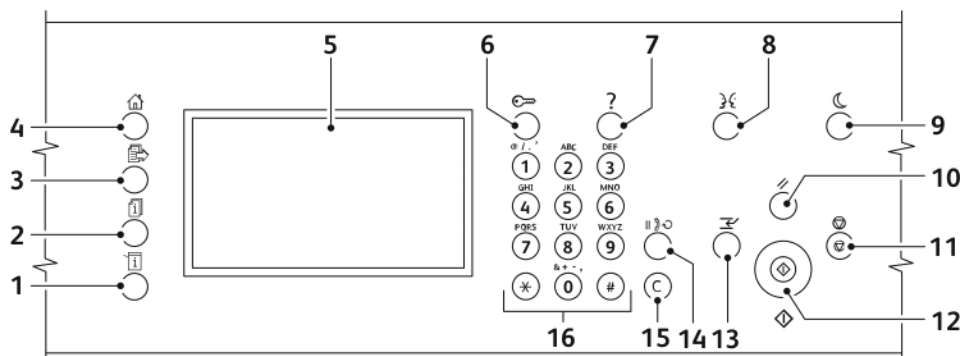
- Paper with paper clips or staples attached
- Paper with wrinkles, curls, folds, tears, or notches
- Carbonless paper or items other than paper such as cloth or metal
- Books

Control Panel

The control panel consists of a touch screen, an alphanumeric keypad, and buttons to control the functions available on the Xerox device. You can use the control panel for these tasks:

- View the current operating status of the device.
- Access printer features.
- Access reference materials.
- Access the Tools and Setup menus.
- Access the Troubleshooting menus and videos.
- View status messages about paper-tray levels and supplies.

- View any errors or warnings that occur on the device.



Item	Name	Description
1	Machine Status button	This button displays the status of the printer on the touch screen.
2	Job Status button	This button displays all active, secure, or completed jobs on the touch screen.
3	Services button	This button returns you to the active service from the Job Status or Machine Status screens, or to a preset service.
4	Services Home button	This button provides access to printer features such as copy, scan, and fax on the touch screen.
5	Touch screen	The touch screen displays information and provides access to printer functions.
6	Log In/Out button	This button provides access to password-protected features.
7	Self Help (?) button	This button displays information about the current selection on the touch screen.
8	Language button	This button changes the touch screen language and keyboard settings.
9	Power Saver button	This button allows the printer to enter and exit the low-power mode, and power down the printer.
10	Clear All button	This button clears previous and changed settings for the current selection. To reset all features to their default settings and clear existing scans, press this button twice.
11	Stop button	This button stops the current job temporarily. To cancel or resume your job, follow the onscreen instructions.
12	Start button	This button starts the selected copy, scan, fax, or Print From job, such as Print from USB.
13	Interrupt button	This button pauses the current job to run a more urgent print, copy, or fax job.
14	Dial Pause button	This button inserts a pause in a telephone number when the device transmits a fax.

Getting Started

Item	Name	Description
15	C clear button	This button deletes numeric values or the last digit entered using the alphanumeric keys.
16	Alphanumeric keypad	The keypad allows you to enter text and fax telephone numbers.

Information Pages

Your printer has a set of information pages that you can access from the control panel touch screen. The information pages include Customer Support access, installed options, and more.

Accessing and Printing the Information Pages

To access the full list of information pages for your printer:

1. At the printer control panel, press the **Self Help (?)** button.
A list of information pages that you can print appears.
2. To scroll the list of available pages, touch and drag your finger up or down the menu. Touch the required page, then touch **Print**.



Note: To print all the information pages, touch **All Information Pages**, then touch **Print**.

3. To return to the Home screen, touch **(X)**.

Printing the Configuration Report

You can print the Configuration Report at the printer control panel. The Configuration Report provides product information, including installed options, network settings, port setup, tray information, and more.



Note: To deactivate automatic printing of a Configuration Report, refer to the *System Administrator Guide* at www.xerox.com/office/B1022_B1025docs.

1. At the printer control panel, press the **Help** button.
2. Touch **System Configuration**.
3. Touch **Print**.
4. To return to the Services Home menu, press the **Services Home** button.

System Administration Features

For details about system administrator responsibilities, refer to the *System Administrator Guide* at www.xerox.com/office/B1022_B1025docs.

Xerox® CentreWare® Internet Services

Xerox® CentreWare® Internet Services is the administration and configuration software installed on the embedded Web server in the printer. Xerox CentreWare Internet Services software allows you to configure and administer the printer from a Web browser.

Xerox® CentreWare® Internet Services requires:

- A TCP/IP connection between the printer and the network in Windows, Macintosh, UNIX, or Linux environments.
- TCP/IP and HTTP enabled in the printer.
- A network-connected computer with a Web browser that supports JavaScript.

Accessing Xerox®CentreWare® Internet Services

1. At your computer, open a Web browser.
2. In the address field, type the IP address of your Xerox device.
3. Press **Enter** or **Return**.

Locating the IP Address of the Printer

You can view the IP address of your printer on the control panel or on the Configuration Report.

To install print drivers for a network-connected printer, you need the IP address of your printer. Use the IP address to access and configure any printer settings in Xerox® CentreWare® Internet Services.

To view the IP address of the printer on the control panel:

1. At the printer control panel, press the **Machine Status** button.
2. Touch **Machine Information**.
If the system administrator set the Display Network Settings to display the IP address, it appears at the top of the Machine Information list.




Note: If the IP address does not appear, print the Configuration Report, or contact your system administrator.

3. To close the window, touch **X**.

Automatic Data Collection

The Xerox printer collects data automatically, then transmits the data to a secure off-site location. Xerox, or a designated service provider, uses the data to support and service the printer, or for billing, supplies replenishment, or product improvement.

Data transmitted automatically can include product registration, meter readings, supplies levels, printer configuration and settings, software version, and problem or fault-code data. Xerox cannot read, view, or download the content of your documents that reside on or pass through your printer or any of your information-management systems.

 **Note:** System Administrator credentials are required to disable SMart eSolutions.

To disable automatic data collection:

1. At your computer, open a Web browser.
2. In the address field, type the IP address of your Xerox device.
3. Press **Enter** or **Return**.
4. On the Xerox® CentreWare® Internet Services Welcome page for your Xerox device, for automated services, select the link in the webpage note.

The SMart eSolutions Setup page opens in Xerox® CentreWare® Internet Services. From this page, your system administrator can disable SMart eSolutions. To disable the feature, click **Not Enrolled**→**Apply**.

Maintenance Assistant

Your printer includes a built-in diagnostic capability allowing you to send diagnostic information directly to Xerox. Maintenance Assistant is a remote diagnostic tool that offers a fast way to resolve potential issues, receive assistance, and automate the troubleshooting or repair process.

Enabling Maintenance Assistant

Before you begin:

If your network uses a proxy server, to ensure that the printer can connect to the Internet, configure the printer Proxy Server settings.

1. At your computer, open a Web browser.
2. In the address field, type the IP address of the printer.
3. Press **Enter** or **Return**.
4. From the Xerox® CentreWare® Internet Services for your Xerox device, click **Status**→**SMart eSolutions**.
5. From Smart eSolutions, click **Maintenance Assistant**.
6. To send status information to Xerox, click **Start an Online Troubleshooting Session** at www.xerox.com.
7. After Xerox® CentreWare® Internet Services sends the printer data, your browser redirects to www.xerox.com, then starts your online troubleshooting session.

Viewing Billing and Usage Information

Billing and printer usage information appears on the Billing Meters information screen. The impression counts shown onscreen are used for billing.

For details on viewing the billing information, refer to [Viewing Billing Meter Information](#) in the *Maintenance* chapter.

More Information

You can obtain more information about your printer from these sources:

Resource	Location
<i>Installation Guide</i>	Packaged with the printer and can be downloaded at www.xerox.com/office/B1022_B1025docs
Other documentation for your printer	www.xerox.com/office/B1022_B1025docs
Technical support information for your printer, including online technical support, Online Support Assistant, and print driver downloads.	www.xerox.com/office/B1022_B1025support
Information Pages	Accessing and Printing the Information Pages
Information about menus or error messages	Press the control panel Self Help (?) button.
Order supplies for your printer	http://www.support.xerox.com
Local Sales and Support Center	www.xerox.com/office/worldcontacts
Printer registration	www.xerox.com/office/register
Xerox® Direct online store	www.direct.xerox.com/

Installation and Setup

Refer to:


- *Installation Guide* packaged with your printer.
- *System Administrator Guide* at www.xerox.com/office/B1022_B1025docs.

Installation and Setup Overview

Before printing:

- Ensure that your computer and the printer are plugged in, powered on, and connected.
- Configure the initial settings of the printer.
- On your computer, install the driver software and utilities.

You can connect to your printer directly from your computer using a USB device, or connect to a network using an Ethernet cable or wireless connection. Hardware and cabling requirements vary for the different connection methods. Routers, network hubs, network switches, modems, Ethernet cables, and USB cables are not included with your printer and must be purchased separately. Xerox recommends an Ethernet connection because, typically, it is faster than a USB connection, and it provides access to Xerox® CentreWare® Internet Services.

 **Note:** If the *Software and Documentation* disc is not available, download the latest drivers at www.xerox.com/office/B1025drivers.

Related Topics:

[Selecting a Location for the Printer](#)

[Selecting a Connection Method](#)


[Connecting the Printer](#)

[Configuring Network Settings](#)

[Installing the Driver Software](#)

Selecting a Location for the Printer

- Select a dust-free area with temperatures from 10–30° C (50–86° F), and a relative humidity of 20–80%.

 **Note:** Sudden temperature fluctuations can affect print quality. Rapid heating of a cold room can cause condensation inside the printer, and can interfere with image transfer.

- Place the printer on a level, solid, non-vibrating surface with adequate strength for the weight of the printer. The printer must be horizontal with all four feet in solid contact with the surface. To find the weight for your printer configuration, refer to [Physical Specifications](#).
- Select a location with adequate clearance to access supplies and to provide proper ventilation. To find the clearance requirements for your printer, refer to [Clearance Requirements](#).
- After positioning the printer, you are ready to connect it to the power source and computer or network.

Connecting the Printer

Selecting a Connection Method

The printer can be connected to your computer using a USB cable or an Ethernet cable. The method you select depends on how your computer is connected to the network. A USB connection is a direct connection and is the easiest to set up. An Ethernet connection is used for networking. If you are using a network connection, ensure that you understand how your computer is connected to the network. For details, refer to [About TCP/IP and IP Addresses](#).



Note:

- Not all options listed are supported on all printers. Some options apply only to a specific printer model, configuration, operating system, or driver type.
- Hardware and cabling requirements vary for the different connection methods. Routers, network hubs, network switches, modems, Ethernet cables, and USB cables are not included with your printer and must be purchased separately.

Wired Network

If your computer is connected to an office network or home network, use an Ethernet cable to connect the printer to a network port. Ethernet networks can support many computers, printers, and devices simultaneously. In most cases, an Ethernet connection is faster than USB and provides direct access to printer settings using Xerox® CentreWare® Internet Services.

Wireless Network

If your network includes a wireless router or wireless access point, you can connect the printer to the network with a wireless connection. A wireless network connection provides the same access and services as a wired connection provides. A wireless network connection is typically faster than USB and allows direct access to the setting of the printer using Xerox® CentreWare® Internet Services.

USB

If you connect the printer to one computer and do not have a network, use a USB connection. A USB connection offers fast data speeds, but typically not as fast as an Ethernet connection. A USB connection does not provide access to Xerox® CentreWare® Internet Services.

Telephone

To send and receive faxes, a multifunction printer requires a direct connection to a dedicated telephone line.

Connecting the Printer to a Wired Network

Use a Category 5 or higher Ethernet cable to connect the printer to the network. An Ethernet network is used for one or more computers and supports many printers and systems simultaneously. An Ethernet connection provides direct access to printer settings using Xerox® CentreWare® Internet Services.

To connect the printer:

1. Ensure that the printer is powered off.
2. Connect one end of a Category 5 or higher Ethernet cable to the Ethernet port on the printer. Connect the other end of the Ethernet cable to a correctly configured network port on a hub or router.
3. Connect the power cord to the printer, then plug the cord into an electrical outlet.
4. Power on the printer.
For details on configuring network settings, refer to the *System Administrator Guide* at www.xerox.com/office/B1022_B1025docs.
5. Enter the printer IP address, or set Xerox® CentreWare® Internet Services to discover the network IP address of the printer automatically.

Connecting the Printer to a Wireless Network

If you purchased a Wireless Network Adapter, you can connect the device to a wireless network. If the device is connected to a wired network, you can configure wireless settings using Xerox® CentreWare® Internet Services. For details on configuring wireless network settings, refer to the *System Administrator Guide* at www.xerox.com/office/B1022_B1025docs.



Note: Before configuring wireless network settings, install the Xerox Wireless Network Adapter Kit. For information, refer to the *Hardware Install and Setup* instructions that are included with the kit.


Connecting to a Computer Using USB

To connect using USB, you need Windows 7, Windows 8 or later, Windows Server 2008 or later, or Macintosh OS X version 10.9 or later.

To connect the printer to the computer using a USB cable:

1. Connect the **B** end of a standard A/B USB 2.0 cable to the USB Port on the rear left of the printer.
2. Connect the **A** end of the USB cable to the USB port on the computer.
3. If the Windows Found New Hardware Wizard appears, select **Cancel**.
4. Install the print drivers. For details, refer to [Installing the Driver Software](#).

Connecting to a Telephone Line

 **Note:** Not all options listed are supported on all printers. Some options apply only to a specific printer model, configuration, operating system, or driver type.


1. Connect a standard RJ11 cable, No. 26 American Wire Gauge (AWG) or larger, to the Line port on the back of the printer.
2. Connect the other end of the RJ11 cable to an operating telephone line.
3. Enable and configure the Fax functions.

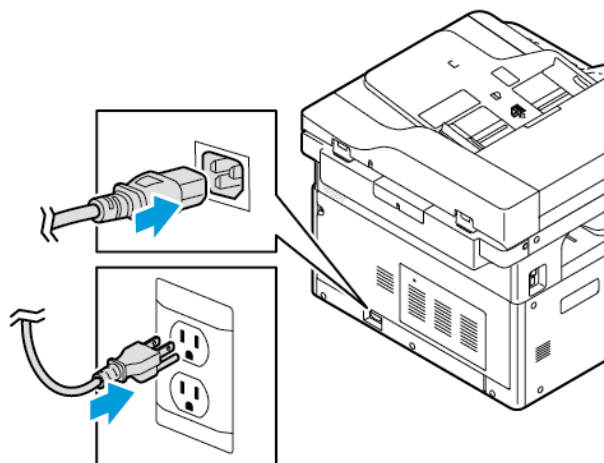
For details, refer to the *System Administrator Guide* at www.xerox.com/office/B1022_B1025docs.

Powering the Printer On or Off

Powering On the Printer


After you plug in the power cord to the printer and the wall outlet, the printer automatically powers on.

 **Note:** If the printer does not automatically power on, press the **Power Save** button to power on the printer.



Powering Off the Printer

- The main power switch controls the power to the printer.
- To initiate an orderly shutdown of the printer electronic components, and to power off the printer, press the **Power Saver** button.
- On the control panel screen, select the **Power Down** option.

-  **Note:** When all control panel lights are off, the printer power-off sequence is complete.
- If the power-off sequence is not functioning properly, unplug the power cord from the wall outlet, then plug in the power cord.



Caution:

- To prevent a printer malfunction, perform the control panel shutdown first.
- If the power-off sequence is not functioning properly, unplug the power cord from the printer, then plug in the power cord. The printer automatically powers on.



Note: If the printer does not power on again, press the **Power Save** button to power on the printer.



Note: When all control panel lights are off, the printer power-off sequence is complete.

Configuring Network Settings

About TCP/IP and IP Addresses

Computers and printers primarily use TCP/IP protocols to communicate over an Ethernet network. Generally, Macintosh computers use either TCP/IP or the Bonjour protocol to communicate with a network printer. For Macintosh OS X systems, TCP/IP is preferred. Unlike TCP/IP, however, Bonjour does not require printers or computers to have IP addresses.

With TCP/IP protocols, each printer and computer requires a unique IP address. Many networks, cable, and DSL routers have a Dynamic Host Configuration Protocol (DHCP) server. A DHCP server automatically assigns an IP address to every computer and printer on the network that is configured to use DHCP.

If you use a cable or DSL router, for information on IP addressing, refer to the documentation for your router.

Enabling the Printer for Scanning

If the printer is connected to a network, you can scan to any of the following locations.

- FTP
- SMB
- HTTP
- HTTPS
- SFTP
- An email address
- A shared folder on your computer

For details, refer to [Xerox® CentreWare® Internet Services](#).



Note: If your printer is connected using a USB cable, you cannot scan to an email address or a network location, such as a shared folder on your computer.

For details, refer to the *System Administrator Guide* at www.xerox.com/office/B1022_B1025docs.

Power Saver Mode

Power Saver mode reduces power consumption when the printer is left idle for a specified period.

Power Saver Levels

There are two power-saver levels:


- **Power Saver Mode 1 Timer:** This mode ends your current session and puts the printer in a sleep mode.
- **Power Saver Mode 2 Timer:** This mode powers off the printer.

Exiting Power Saver Mode

The printer exits Power Saver mode automatically when any of the following events occur:

- Pressing a button on the control panel
- Touching the UI screen
- Receiving data from a connected device
- Opening any door or cover on the printer

Setting the Power Saver Mode Timers at the Control Panel

 **Note:** System administrator credentials are required to perform the following procedure.

1. At the printer control panel, press the **Machine Status** button.
2. Touch **Device Settings**→**General**→**Power Saver Timer Adjustment**.
3. To select the appropriate time, touch the **Arrow** icons, or enter a value using the numeric keypad.
 - Specify how long the printer remains idle before it changes from ready mode to low-power mode.
 - Specify how long the printer remains idle before automatically changing from low-power mode to sleep mode.
4. Touch **OK**.

Installing the Driver Software

Before you install driver software, verify that the printer is plugged in, powered on, connected correctly, and has a valid IP address.

If you cannot find the IP address, refer to [Locating the IP Address of the Printer](#).

Download the latest drivers at www.xerox.com/office/B1022_B1025drivers.


Operating System Requirements

- Windows Vista, Windows 7, Windows 8, Windows 8.1, Windows 10, Windows Server 2008, Windows Server 2008 R2, and Windows Server 2012
- Macintosh OS X version 10.9 and later
- UNIX and Linux: Your printer supports connection to various UNIX platforms through the network interface. For details, refer to www.xerox.com/office/B1025drivers.

Installing Drivers and Utilities for Windows

To access all the features of your printer, install the Xerox® print driver and the Xerox® scan driver.

To install the print and scan driver software:

1. Insert the *Software and Documentation* disc into the appropriate drive on your computer. The installer starts automatically.
If the installer does not start automatically, navigate to the drive, then double-click the **Setup.exe** installer file.
 2. To change the language, click **Language**.
 3. Select your language, then click **OK**.
 4. Click **Install Drivers** → **Install Print and Scan Drivers**.
 5. To accept the license agreement, click **I Agree**.
 6. From the list of discovered printers, select your printer, then click **Next**.
 7. If your printer does not appear in the list of discovered printers, click **Extended Search**.
 8. If your printer still does not appear in the list of discovered printers, and you know the IP address, choose one of the following:
 - At the top of the window, click the **Network Printer** icon, then enter the IP address or the DNS name of the printer.
 - Click **Search**. From the list of discovered printers, select your printer, then click **Next**.
 9. If the printer still does not appear in the list of discovered printers, and you do not know the IP address:
 - a. Click **Advanced Search**.
 - b. If you know the gateway address and subnet mask, click the top button, then enter the addresses into the Gateway and Subnet Mask fields.
 - c. If you know the address of another printer on the same subnet, click the middle button, then enter the address in the IP Address field.
 - d. Click **Search**.
 - e. From the list of discovered printers, select your printer, then click **Next**.
-  **Note:** When the printer appears in the Discovered Printers window, the IP address appears. Record the IP address for future use.
10. Select the required driver.
 11. Click **Install**.
 12. If the installer prompts you for the IP address, enter the IP address of the printer.
 13. If the installer prompts you to restart your computer, to complete the installation of the drivers, click **Restart**.
 14. To complete the installation, click **Finish**.

Installing Print Drivers for Macintosh OS X Version 10.9 and Later

Use this procedure to install the Xerox print driver to access all features of your printer.

To install the print driver software:

1. Download the print driver from www.xerox.com/office/B1022_B1025drivers.
2. To view the **.dmg** file for your printer, on your desktop, click the disc icon.
3. Open the **.dmg** file, then navigate to the appropriate installer file for your operating system.
4. To begin installation, open the Installer package file.
5. To acknowledge the warning and introductory messages, click **Continue**. Click **Continue** again.
6. To accept the license agreement, click **Continue**, then click **Agree**.
7. To accept the current installation location, click **Install**, or select another location for the installation files, then click **Install**.
8. Enter your password, then click **Install Software**.
9. In the list of discovered printers, select your printer, then click **Continue**. If your printer does not appear in the list of discovered printers:
 - a. Click the **Network Printer** icon.
 - b. Type the IP address of your printer, then click **Continue**.
 - c. In the list of discovered printers, select your printer, then click **Continue**.
10. To accept the print queue message, click **Continue**.
11. To accept the installation success message, click **Close**.
12. To verify that the print driver recognizes the installed options:
 - a. From the Apple menu, click **System Preferences**→**Printers and Scanners**.
 - b. Select the printer from the list, then click **Options & Supplies**.
 - c. Click **Options**.
 - d. Confirm that all the options installed on the printer appear correct.
 - e. If you change settings, click **OK**. Close the window, then exit System Preferences.

Installing Scan Drivers for Macintosh

To install the scan driver software:

1. To download the latest driver, go to www.xerox.com/office/B1025drivers.
2. Download the appropriate package for your operating system.
3. To view the **.dmg** file for your printer, on your desktop, click the disc icon.
4. Open the **Scan Installer.dmg** file, then navigate to the appropriate installer file for your operating system.
5. Open the **Scan Installer** package file.
6. To acknowledge the warning and introductory messages, click **Continue**.
7. To accept the license agreement, click **Continue**, then click **Agree**.
8. Click **Continue** again.
9. Enter your password, then click **OK**.

10. If prompted to close other installations, click **Continue Installing**.
11. To restart, click **Log Out**.

Installing Print Drivers for UNIX and Linux



Note:

- To install UNIX print drivers on your computer, root or superuser privileges are required.
- An Internet connection is required to install print drivers.

To install Linux drivers, perform the following steps, then select **Linux** instead of UNIX for the operating system and package.

To install the print driver software:

1. On the printer control panel, for the IP address, do the following:
 - a. Allow the printer to set up a DHCP address.
 - b. Print the Configuration Report, and save it for later reference. For information on how to print the Configuration Report, refer to [Printing the Configuration Report](#).
 - c. From the Configuration Report, verify that the TCP/IP protocol is enabled and that the network cable is installed.
2. At your computer, do the following:
 - a. From the print driver website for your printer, select your printer model.
 - b. From the Operating System menu, select **UNIX**, then click **Go**.
 - c. Select the appropriate package for your operating system.
 - d. To begin the driver download, click the **Start** button.
3. In the notes below the driver package that you selected, click the **Installation Guide** link, then follow the installation instructions.

Other Drivers

The following drivers are available for download:

- The Xerox® Global Print Driver works with any printer on your network, including those printers made by other manufacturers. At installation, the driver configures itself for your individual printer.
- The Xerox® Mobile Express Driver works with any printer available to your computer that supports standard PostScript. Each time you select Print, the driver configures itself for the correct printer. If you travel frequently to the same sites, you can save your favorite printers in that location, and the driver saves your settings.

Download the drivers at www.xerox.com/office/B1025drivers.

Installing the Printer as a Web Service on Devices

The Web Services on Devices (WSD) application allows you to discover and access a remote device and associated services across a network. WSD supports device discovery, control, and use.

Installing a WSD Printer Using the Add Device Wizard

To install a Web Services on Device (WSD) printer, use the Add Device Wizard.

1. At your computer, click **Start**, then select **Devices and Printers**.
2. To launch the Add Device Wizard, click **Add a Device**.
3. In the list of available devices, select the device that you want to use, then click **Next**.



Note: If your printer does not appear in the list, click the **Cancel** button. To add the WSD printer to the device list, use the Add Printer Wizard. For information, refer to [Installing a WSD Printer Using the Add Printer Wizard](#).

4. Click **Close**.

Installing a WSD Printer Using the Add Printer Wizard

To install a Web Services on Device (WSD) printer, use the Add Printer Wizard.

1. At your computer, click **Start**, then select **Devices and Printers**.
2. To launch the Add Printer Wizard, click **Add a Printer**.
3. Click **Add a network, wireless, or Bluetooth printer**.
4. In the list of available devices, select the device that you want to use, then click **Next**.
5. If your printer does not appear in the list, click **The printer that I want is not listed**.
6. Select **Add a printer using a TCP/IP address or hostname**, then click **Next**.
7. For the Device type, select **Web Services Device**.
8. In the Hostname or IP address field, enter the printer IP address. Click **Next**.
9. Select an option for sharing the printer with others in your network.
10. To identify the printer for sharing, enter a share name, location, and comments. Click **Next**.
11. To set the printer as the default, select an option. To test the connection, click **Print a Test Page**.
12. Click **Finish**.

Printing from a Device Using Mopria or Google Cloud Print

The following allow you to print without requiring a print driver:

Mopria

Mopria is a software feature that enables users to print from mobile devices without requiring a print driver. You can use Mopria to print from your mobile device to Mopria-enabled printers.

Google Cloud Print

Google Cloud Print allows you to print documents from an Internet-connected device without using a print driver. You can send documents stored in the cloud, on a personal computer, a tablet, or smartphone to the printer from anywhere.

For more information, refer to the *System Administrator Guide* at www.xerox.com/office/B1022_B1025docs.

Using the Services

This chapter contains:

• Copy	44
• Scan To	54
• Email	69
• Fax	73
• ID Card Copy	81
• USB	83
• Saved Jobs	85
• Address Book	86
• Job Status	88
• Machine Status	89


The Services are a gateway to the features and functions of your device. There are standard Services already installed and ready to use on the device. There are also Services that are hidden when your device is used for the first time. Set up and customize the Services using Xerox® CentreWare® Internet Services.

Copy

System administrator credentials are required to set up this feature before you can use it. For details, refer to the *System Administrator Guide* at www.xerox.com/office/B1022_B1025docs.

Making a Copy

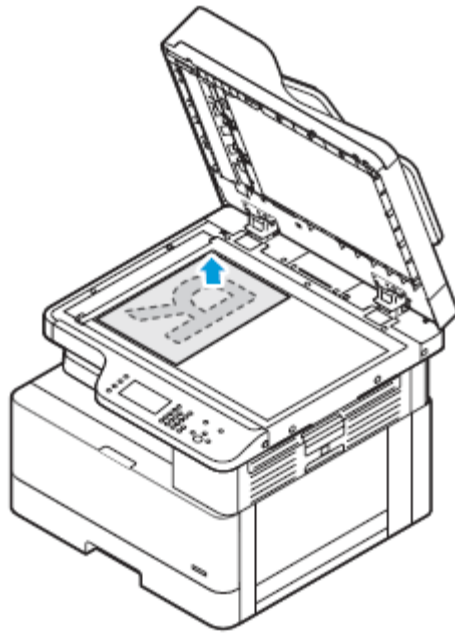
This procedure outlines the steps to copy a document using the document feeder or document glass.

 **Note:** For information about ID card copying, refer to [Copying an ID Card](#).

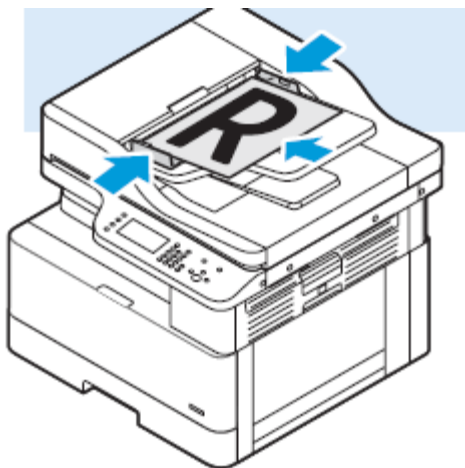
1. Load your original documents in the document feeder or on the document glass.

If the Copy feature is grayed-out, contact your system administrator to enable the feature. For details, refer to the *System Administrator Guide* at www.xerox.com/office/B1022_B1025docs.

- For single pages, or paper that cannot be fed using the document feeder, use the document glass. Place the first page of the document face down, in the top-left corner of the document glass.



- For multiple or single pages, use the document feeder. Remove any staples and paper clips from the pages, then place the pages face up in the document feeder.



Using the Services

2. At the printer control panel, press the **Services Home** button.
3. Touch **Copy**.
4. To enter the number of copies, on the control panel touch screen, use the alphanumeric keys.
5. Touch the **Right Arrow** icon.
6. Change the copy settings, as needed. Refer to [Adjusting Copying Options](#).
7. Press the green **Start** button.
 - To pause or cancel a copy job, at the printer control panel, press the red **Cancel** button.
 - To interrupt a copy job, at the printer control panel, press the **Interrupt** button.

Adjusting Copying Options

Selecting 1-Sided or 2-Sided Copying

The printer provides these copying options: 1-Sided, 2-Sided, or 2-Sided, Rotate Side 2. The 2-Sided and 2-Sided, Rotate Side 2 copying options initiate the copying of both sides of a document.

To select 2-sided copying:

1. At the printer control panel, press the **Services Home** button.
2. Touch **Copy**.
3. On the Copy screen, touch the **Right Arrow** icon.
4. On the Copy Features screen, touch **2-Sided Copying**.
5. Select an option.
 - **1 to 1 Sided:** This option creates a 1-sided copy from a 1-sided original document.
 - **1 to 2 Sided:** This option creates a 2-sided copy from a 1-sided original document.
 - **2 to 2 Sided:** This option creates a 2-sided copy from a 2-sided original document.
 - **2 to 1 Sided:** This option creates a 1-sided copy from a 2-sided original document.
6. Select one of the options, as applicable.
 - **Original Rotation:** From a 2-sided original document, this option creates a document with a rotated second side.
 - **Output Rotation:** To achieve the required output, this option creates 2-sided output with a rotated second side.



Note: The rotation result varies, depending on the rotation option that you select. For rotation results, refer to [Rotation Option Results](#).

7. Touch **OK**.

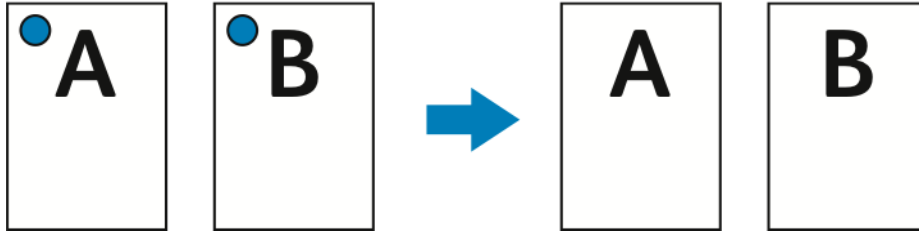
Rotation Option Results

The blue dots in the images represent the scanner start point or edge.

- The A image represents page 1.
- The B image represents page 2.

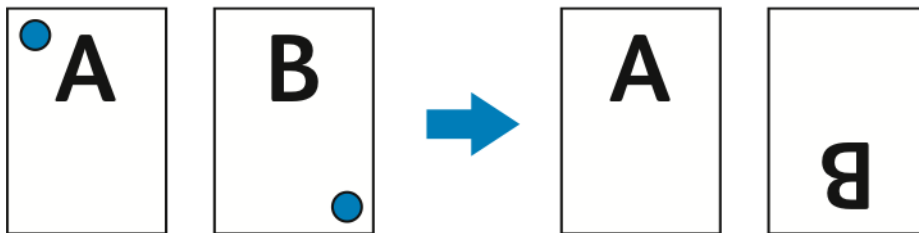
The rotation result applies to these rotation options.

- 1 to 2-Sided rotation, if you selected the Output Rotation option
- 2 to 1-Sided rotation, if you selected the Original Rotation option
- 2 to 2-Sided, or Landscape to Landscape rotation, if you selected the Original or Output Rotation option

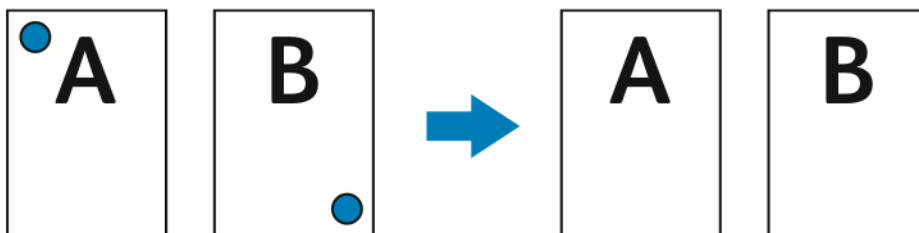


This rotation result applies to these rotation options.

- 2 to 1-Sided output if you used the Default setting, and did not select a rotation option.
- 2 to 2-Sided, or Portrait to Landscape rotation, if you selected the Output Rotation option.

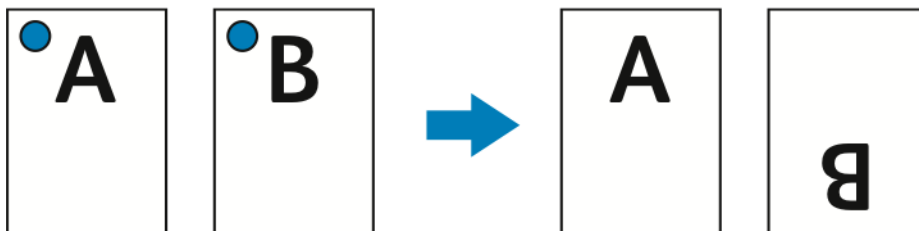


This rotation result applies to 2-Sided to 2-Sided Default, or Portrait to Portrait output, if you did not select either the Original or Output Rotation rotation option.



This rotation result applies to these rotation options.

- 2-Sided to 2-Sided, or Landscape to Portrait rotation, if you selected the Original Rotation option.
- 1 to 2-Sided Default output, if you did not select either the Original or Output Rotation option.



Changing the Collation Setting

If you place the original documents on the document glass, you can change the collation setting for a multiple-paged copy job.



Note: You can change the collation setting in the print driver window or at the printer control panel.

To select a collation option:

1. At the printer control panel, press the **Services Home** button.
2. Touch **Copy**.
3. On the Copy screen, touch the **Right Arrow** icon.
4. On the Copy Features screen, touch the **Collation** option.
5. Select an option:
 - **Collated:** This option activates collation for original documents that you place on the document glass only.
 - **Uncollated:** This option deactivates collation for original documents that you place on the document glass only.
6. Touch **OK**.

Selecting a Paper Tray

To select a paper tray:

1. At the printer control panel, press the **Services Home** button.
2. Touch **Copy**.
3. On the Copy screen, touch the **Right Arrow** icon.
4. On the Copy Features screen, touch **Paper Supply**.
5. Touch one of the options.
 - **Auto Paper Select:** This option automatically selects the paper tray best suited for your image.
 - Tray that contains the appropriate paper.
6. Touch **OK**.

Reducing or Enlarging an Image

The printer can reduce or enlarge an image in the range between 25 % and 400 % of the original image.

To reduce or enlarge an image:

1. At the printer control panel, press the **Services Home** button.
2. Touch **Copy**.
3. On the Copy screen, touch the **Right Arrow** icon.
4. On the Copy Features screen, touch **Reduce/Enlarge**.

5. Select an option:
 - To reduce or enlarge the percentage incrementally, touch the **Arrow** icons.
 - To reduce or enlarge the percentage using the alphanumeric keypad, touch one of the preset values.



Note: To set the printer to size the copied image automatically, select **Auto**.

6. Touch **OK**.

Setting the Document Orientation

Set the orientation for the document that you want to load in the document feeder.



Note: If you place the document on the document glass, you do not have to set the orientation of the document. In this case, the orientation depends on the direction in which you place the document on the document glass.

To set the orientation of the original document:

1. At the printer control panel, press the **Services Home** button.
2. Touch **Copy**.
3. On the Copy screen, touch the **Right Arrow** icon.
4. On the Copy Features screen, select the **Original Orientation** option.
5. Touch an option:
 - **Upright Feed Top Up:** This option is the same as the portrait option.
 - **Sideways Feed Top Left:** This option is the same as the landscape option.
6. Touch **OK**.

Specifying the Original Document Type

The printer optimizes the image quality of the copies, based on the type of images in the original document, and how the original document was created.

To specify the original document type:

1. At the printer control panel, press the **Services Home** button.
2. Touch **Copy**.
3. On the Copy screen, touch the **Right Arrow** icon.
4. On the Copy Features screen, touch **Original Type**.
5. Touch the **Down Arrow** icon as many times as necessary to select an option:
 - **Photo & Text:** Use this setting for the following images:
 - Documents with text and photos printed on the paper
 - Photocopied documents that include text and photos
 - Documents that include photos and text on photographic paper
 - **Photo:** Use this setting for the following:
 - Original photographs on photographic paper
 - Photos printed on magazine paper

Using the Services


- Photocopied photos
 - **Text:** Use this setting for black-and-white or colored text.
6. Touch **OK**.

Specifying the Original Document Size

When you copy a document, you can set the size of the original document.

To specify the original document size:

1. At the printer control panel, press the **Services Home** button.
2. Touch **Copy**.
3. On the Copy screen, touch the **Right Arrow** icon.
4. On the Copy Features screen, touch **Original Size**.
5. Touch an option. To enter area measurements, use the control panel keyboard.

 **Note:** Grayed-out options are not available.

- **Preset:** Use this option to specify the area to copy when the copy area matches a standard paper size.
 - **Custom:** Use this option to specify a customized height and width of the area to copy.
6. Touch **OK**.

Shifting an Image

You can change the placement of an image on a page. To shift an image, position the original documents in the document feeder or on the document glass. If you use the document glass, position the documents face down in the back-left corner of the document glass. Place the short edge of the document to the left.

To shift an image:

1. Position the original documents in one of the following ways:
 - For the document feeder, position original documents face up, with the short edge entering the feeder first.
 - For the document glass, position original documents face down in the back-left corner, with the short edge to the left.
2. At the printer control panel, press the **Services Home** button.
3. Touch **Copy**.
4. On the Copy screen, touch the **Right Arrow** icon.
5. On the Copy Features screen, touch **Image Shift**.
6. If the Image Shift option is set to Off, touch the arrow, then select an option:
 - **Auto Center:** This option centers the image within the document margins.
 - **Margin Shift:** This option shifts the margins on the left, right, top, or bottom of the image.
7. Touch **OK**.

Setting Background Suppression

Adjust the background suppression for documents printed on thin paper or paper with text or images visible on the back of the paper. To reduce the sensitivity of the printer for variations in light background colors, select Auto Suppression or adjust the background suppression settings.

To set the background suppression:

1. At the printer control panel, press the **Services Home** button.
2. Touch **Copy**.
3. On the Copy screen, touch the **Right Arrow** icon.
4. On the Copy Features screen, touch **Background Suppression**.
5. Select one of the options.
 - **OFF**: This option deactivates the Background Suppression feature.
 - **Auto Suppression**: To improve image quality, select this option. The printer examines automatically a sample of the document that you are scanning, and adjusts the image quality.
 - **Enhance**: This option improves image quality. To adjust the image quality, move the slider between the range of 1–2. The higher the number, the more vivid the background.
 - **Erase**: This option erases the margins from the image. To erase the margins, move the slider between 1–4. The higher the number, the lighter the background.
6. Touch **OK**.

Lightening or Darkening the Image


When you copy a document, you can adjust the lightness or darkness contrast of the original image.

To lighten or darken an image:

1. At the printer control panel, press the **Services Home** button.
2. Touch **Copy**.
3. On the Copy screen, touch the **Right Arrow** icon.
4. On the Copy Features screen, touch **Lighten/Darken**.
5. To adjust the intensity, move the slider control.
6. Touch **OK**.

Setting the Page Layout

You can use Page Layout to place a defined number of pages on one or both sides of the paper.

 **Note:** By default, Page Layout is disabled, unless you select a preset Original Size option, and the Image Shift option is set to Off.

To set the page layout:

1. At the printer control panel, press the **Services Home** button.
2. Touch **Copy**.
3. On the Copy screen, touch the **Right Arrow** icon.
4. On the Copy Features screen, touch **Page Layout**.

5. Touch an option.
 - **2 Pages:** This option creates two pages on one or two sides of a document copy.
 - **4 Pages:** This option creates four pages on one or two sides of a document copy.
 - **8 Pages:** This option creates eight pages on one or two sides of a document copy.
 - **16 Pages:** This option creates 16 pages on one or two sides of a document copy.
6. For Paper Supply, touch the appropriate paper tray.
7. Touch **OK**.

Selecting Book Copy

For a book, magazine, or other bound document, you can copy either the left or right page onto a single sheet of paper. You can copy left and right pages onto two sheets of paper, or as a single image on one sheet of paper.

 **Note:** Book Copy is disabled unless you select an Original Size option.

To select Book Copy:

1. At the printer control panel, press the **Services Home** button.
2. Touch **Copy**.
3. On the Copy screen, touch the **Right Arrow** icon.
4. On the Copy Features screen, touch **Book Copy**.
5. Select an option.
 - **Off:** This option is the default setting.
 - **Both Pages:** This option scans both pages of an open book onto two sheets of paper.
 - **Left Page:** This option scans the left page of an open book onto a single sheet of paper.
 - **Right Page:** This option scans the right page of an open book onto a single sheet of paper.
6. Touch **OK**.

Copying Covers

You can copy the first and last pages of your copy job on speciality paper, such as colored or heavyweight paper. The printer selects the cover paper from a different tray. You can copy covers when you copy a book, but you cannot copy covers when you copy a booklet.

To copy covers:

1. Load the paper for the document into the appropriate paper tray.
2. Load the cover paper into a different tray.
3. At the printer control panel, press the **Services Home** button.
4. Touch **Copy**.
5. On the Copy screen, touch the **Right Arrow** icon.
6. For Paper Supply, touch the tray that contains the paper for the document.


 **Note:** The printer automatically selects the cover paper from a different tray.

7. Touch **OK**.
8. Touch **Covers**.

9. Touch an option.
10. From the Cover menu, select an option:
 - **Blank:** This option does not copy a cover to either side of the cover paper.
 - **Print on Side 1 only:** This option copies the cover to one side of the speciality paper.
 - **Print on Both Sides:** This option copies the cover to both sides of the speciality paper.
11. From the **Cover**→**Tray Selection** menu, touch the tray that contains the cover paper.
12. Touch **OK**.
13. On the Copy screen, touch the **Left Arrow** icon.
14. For the number of copies, touch **Quantity**.
15. Press the green **Start** button.


Creating a Booklet

You can print copies in booklet format. The booklet feature reduces the original document images to fit two images on each side of the printed page.

 **Note:** In this mode, the printer scans all the original documents before it prints the copies.

To create a booklet:

1. At the printer control panel, press the **Services Home** button.
2. Touch **Copy**.
3. On the Copy screen, touch the **Right Arrow** icon.
4. On the Copy Features screen, touch **Booklet Creation**.

 **Note:** If you adjusted the Reduce/Enlarge setting, a message appears confirming that Reduce/Enlarge changed to Auto %. If you changed Paper Supply to Auto Select, a message appears confirming that Paper Supply changed to Tray 1.


5. Touch **On**.
6. Touch **Original Input**, then select the option that matches your original documents:
 - **1-Sided Original:** This option scans only one side of the original image, and produces 1-sided output files.
 - **2-Sided Original:** This option scans both sides of the original image.
7. Select a **Paper Supply** option. This is the tray that contains the appropriate paper.
8. Touch **OK**.

Scan To

System administrator credentials are required to set up this feature before you can use it. For details, refer to the *System Administrator Guide* at www.xerox.com/office/B1022_B1025docs.

Sending a Scanned Image to a Destination

Scanning to a PC allows you to scan to a folder on the server or to a shared folder on a personal computer. This option also allows you to scan to an email address or an IP address, or with an Optical Character Recognition (OCR) option.

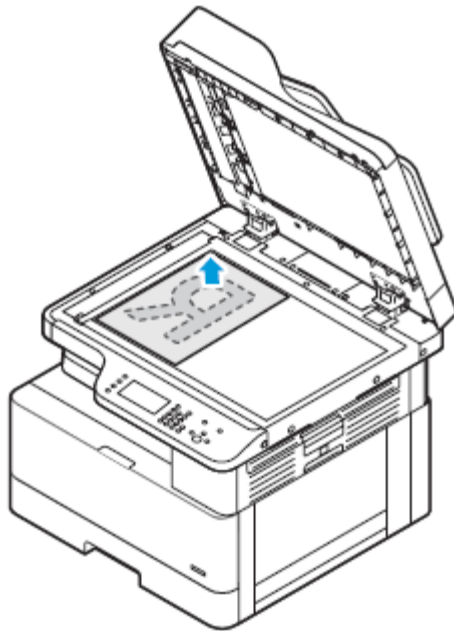
 **Note:** The Scan for OCR option allows you to search for or edit your scanned document in a software program.

Before you scan to a PC, configure the destination folders on the server, or share the folder on a personal computer. A destination does not appear on the touch screen unless already entered in Xerox® CentreWare® Internet Services, in the Scan To Destination file. If there are no destinations for Scan To Destination, the Scan To PC icon appears grayed-out on the touch screen.

To scan and send an image to a PC:

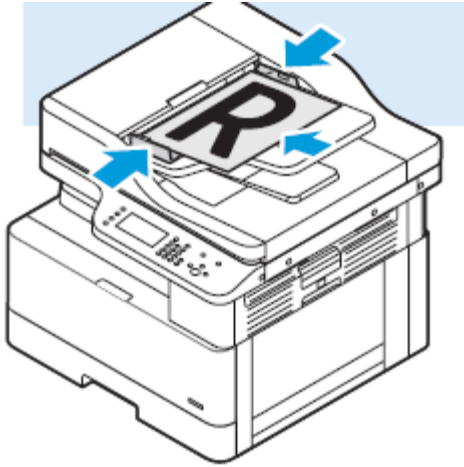
1. Load your original documents on the document feeder or the document glass.
 - For single pages, or paper that cannot be fed using the document feeder, use the document glass. Place the first page of the document face down, in the top-left corner of the document glass.

 **Note:** For details, refer to [Using the Document Glass](#) and [Document Glass Guidelines](#).




- For multiple or single pages, use the document feeder. Remove any staples and paper clips from the pages, then place the pages face up in the document feeder.


 **Note:** For details, refer to [Document Feeder](#) and [Document Feeder Guidelines](#).



2. At the printer control panel, press the **Clear All** button, then press the **Scan To** button.
If the Scan To feature is grayed-out, contact your system administrator to enable the feature. For details, refer to the *System Administrator Guide* at www.xerox.com/office/B1022_B1025docs.
3. Touch **Scan To PC**.
The Scan to PC screen appears.
4. Select an option and provide the required information.
 - **Scan for Print to:** This option scans your image to an IP address.
 - **Scan for Email to:** This option scans your image to a destination folder.
 - **Scan for OCR:** This option converts printed characters into digital text.
5. To select a destination, touch the destination name.
6. Press the green **Start** button.

 **Note:** Change scan settings as needed. For details, refer to [Adjusting Scanning Options](#).

Scanning to an Email Address

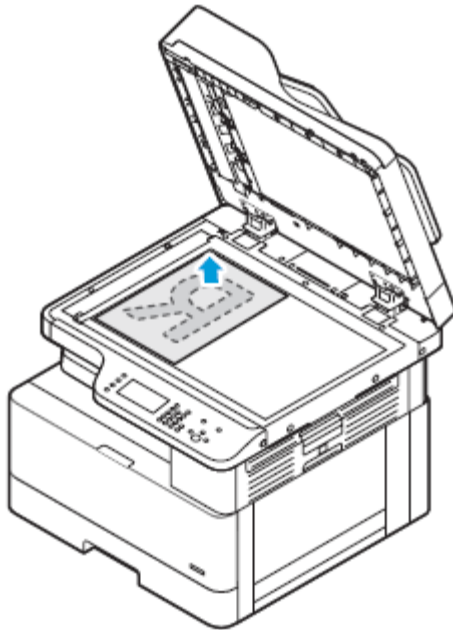
 **Note:** When you use this feature, the scanned images are sent as email attachments.

Before you scan to email, configure the email SMTP and From field properties. At least one email address is required in the address book. If email properties are not configured properly, the email icon appears grayed-out on the touch screen.

To scan to an email address:

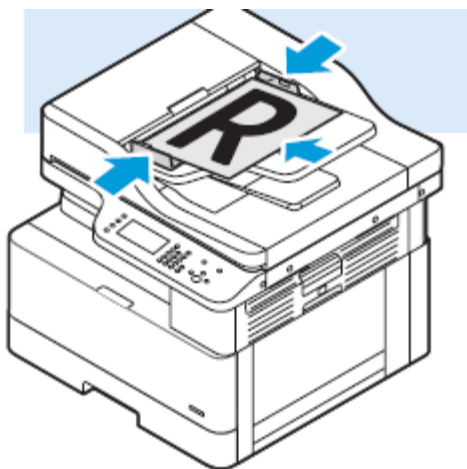
1. Load your original documents in the document feeder or on the document glass.
 - For single pages, or paper that cannot be fed using the document feeder, use the document glass. Place the first page of the document face down, in the top-left corner of the document glass.

 **Note:** For details, refer to [Using the Document Glass](#) and [Document Glass Guidelines](#).



- For multiple or single pages, use the document feeder. Remove any staples and paper clips from the pages, then place the pages face up in the document feeder.

 **Note:** For details, refer to [Document Feeder](#) and [Document Feeder Guidelines](#).



2. To clear previous settings, press the **Clear All** button.
3. Press the **Services Home** button.
4. On the printer control panel, touch **Email**.

If the Scanning to an Email Address feature is grayed-out, contact your system administrator to enable the feature. For details, refer to the *System Administrator Guide* at www.xerox.com/office/B1022_B1025docs.

5. Enter the Recipient information.
 - To type the email address into the To field, select **Enter Recipient**, then use the touch screen keypad. Touch **OK**.
 - To select a contact or group from the Address Book, touch the **Device Address Book** icon. From the list, select a recipient.
 - If you created Favorites, to select a Favorite, touch **Favorites**. From the list, select an Email Favorite.

For details about using the Address Book, and managing and creating Favorites, refer to [Address Book](#).

6. Touch the **Right Arrow** icon.
7. Adjust the email features as needed:
 - To save the scanned document with a specific file name, touch **Attachment**, then use the touch screen keypad and enter a new name. Touch **OK**.
 - To save the scanned document with a specific file format, touch the attachment file format, then select the required format.
 - To change the subject line, touch **Subject**, then use the keypad and enter a new subject line. Touch **OK**.
 - To change the email body message, touch **Message**, enter a new message, then touch **OK**.
 - If necessary, set the **From** and **Reply To** addresses.
8. Touch the **Back Arrow** icon.
9. To start the scan, press the **Start** button.

10. If you are scanning from the document glass, when prompted, to finish scanning, touch **Done**. To scan another page, touch **Scan**.



Note: If you are scanning a document from the automatic document feeder, a prompt does not appear.

11. To return to the Home screen, press the **Home** button.

Scanning to a Shared Folder on a Network Computer

Before you can scan to a shared folder, share the folder. In Xerox® CentreWare® Internet Services, add the folder as an Address Book entry.

Sharing a Folder on a Windows Computer

Before you begin:

- Verify that your computer security software allows for file sharing.
- Verify that File and Printer Sharing For Microsoft Networks is enabled for each of your connections.



Note: For assistance, contact your system administrator.

To activate sharing:

1. Open Windows Explorer.
2. Right-click the folder that you want to share, then select **Properties**.
3. Click the **Sharing** tab, then click **Advanced Sharing**.
4. At the prompt, Do you want to allow this app to make changes to your device?, click **Yes**.
5. Select **Share this folder**.
6. Click **Permissions**.
7. Select the **Everyone** group, then verify that all permissions are enabled.
8. Click **OK**.
9. Click **OK** again.
10. Click **Close**.
Note the Share name for later use.

Sharing a Folder Using Macintosh OS X Version 10.7 and Later

1. From the Apple menu, select **System Preferences**.
2. From the View menu, select **Sharing**.
3. From the Service list, select **File Sharing**.
4. For Shared Folders, click the Plus icon (+).
A folder list appears.
5. Select the folder that you want to share on the network, then click **Add**.
6. To modify access rights for your folder, select it. The groups activate.

Using the Services

7. From the Users list, click **Everyone**, then use the arrows to select **Read & Write**.
8. Click **Options**.
9. Share the folder:
 - To share the folder with Windows computers, select **Share files and folders using SMB**.
 - To share the folder with specific users, for each user name, select **On**.
10. Click **Done**.
11. Close the System Preferences window.

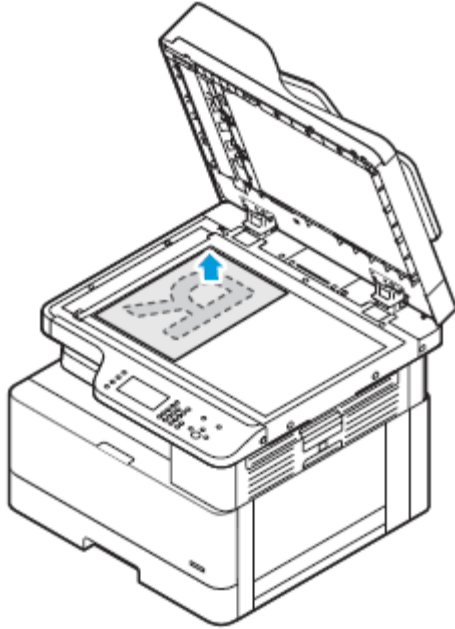


Note: When you open a shared folder, a Shared Folder banner appears in the Finder for the folder and subfolders.

Scanning to a Folder on a Network Computer

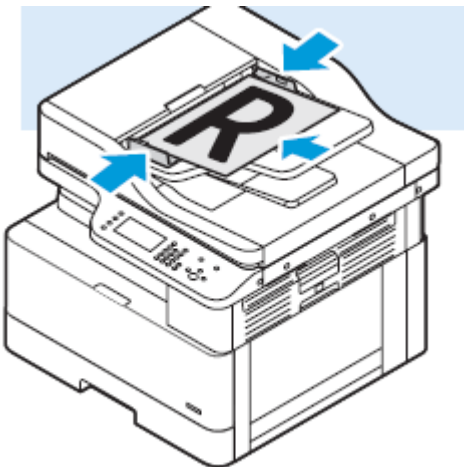
1. Load your original documents.
 - For single pages, or paper that cannot be fed using the document feeder, use the document glass. Place the first page of the document face down, in the top-left corner of the document glass.

 **Note:** For details, refer to [Using the Document Glass](#) and [Document Glass Guidelines](#).



- For multiple or single pages, you can use the document feeder. Remove any staples and paper clips from the pages, then place the pages face up in the document feeder.

 **Note:** For details, refer to [Document Feeder](#) and [Document Feeder Guidelines](#).



2. At the printer control panel, press the **Clear All** button, then press the **Services Home** button.

3. Touch **Scan to**.

If the Scanning to a Folder on a Network Computer feature is grayed-out, contact your system administrator to enable the feature. For details, refer to the *System Administrator Guide* at www.xerox.com/office/B1022_B1025docs.

4. Touch the **Right Arrow** icon repeatedly until the Scan To Features screen appears.

5. Touch **OK**.

6. For Scan to, touch **OK**.

7. For Computer (Network), touch **OK**.

8. To select the shared folder on your computer, touch the **Arrow** icons, then touch **OK**.

9. If you want to change any other scan settings, to select a setting, use the Arrow icons, then make your changes. For details, refer to [Adjusting Scanning Options](#).

10. To begin the scan, press the green **Start** button.

Initiating Scanning from a Computer

Scanning from a Printer Icon on Your Computer

After you set up a printer icon on your computer, you can scan images. On your computer, click the Printer icon.

1. At the printer, load the original document on the document glass, or in the document feeder.
2. On your computer desktop, find and right-click the appropriate Printer icon.
3. Click **Start Scan**.

The New Scan window appears.



Note: For convenience, you can create a shortcut on your computer desktop to the printer. For details, refer to [Creating a Shortcut on Your Windows Desktop to the Printer](#).

4. Select or adjust the attributes, as needed:



Note: The list of attributes varies depending on the available OCR package.

5. To scan the image, click **Scan**.

Creating a Shortcut on Your Windows Desktop to the Printer

You can create a shortcut to the printer on your Windows desktop. The shortcut gives you convenient access to the printer for your scanned images.

1. On your desktop, search for the **Control Panel**.
2. Click **Devices and Printers**.
3. Find and right-click the image of the appropriate printer.
4. To create a shortcut on your computer desktop to the printer, click **Yes**.

Scanning to a USB Flash Drive

You can scan a document and store the scanned file on a USB Flash drive. The supported file types are **.jpg**, **.pdf**, and **.tiff**.

1. At the printer, load the original document on the document glass, or in the document feeder.
2. Insert a USB Flash drive into the USB port on the front of your Xerox printer.
The control panel touch screen displays the USB Device Detected screen.
3. If the USB Device Detected screen does not appear automatically on the control panel, touch **Scan to USB**.
4. Change scan settings, as needed. For details, refer to [Adjusting Scanning Options](#).
5. To begin the scan, press the green **Start** button.



Note: Do not remove the USB Flash drive until prompted. If you remove the flash drive before the transfer is complete, you can damage the file.

Adjusting Scanning Options

Selecting 1 or 2-Sided Scanning

This printer provides the scanning options 1-Sided, 2-Sided, or 2-Sided, Rotate Side 2. Either of the 2-Sided scanning options initiates the scanning of both sides of the document.

To select 2-sided scanning:

1. At the printer control panel, press the **Clear All** button, then press the **Services Home** button.
2. Touch **Scan To**.
3. Touch the **Right Arrow** icon repeatedly until the Scan To Features screen appears.
4. Touch **2-Sided Scanning**.
5. Select an option.
6. Touch **OK**.

Setting the Output Color

If the original image contains color, you can scan the image in color, grayscale, or black and white. Selecting black and white significantly reduces the file size of the scanned images.

To set the output color:

1. At the printer control panel, press the **Clear All** button, then press the **Services Home** button.
2. Touch **Scan To**.
3. Touch the **Right Arrow** icon until the Scan To Features screen appears.
4. Touch **Output Color**.

Using the Services

5. Select an output color.
 - **Color:** This option scans the image or text in color.
 - **Grayscale:** This option scans the image in shades of gray. Use this option to scan printed images.
 - **Black/White:** This option scans the image in black and white. Use this setting for black text on a white background. This option sometimes is referred to as monochrome.
6. Touch **OK**.

Setting the File Format

When you scan a document to send to a network, you can set various features.

To set the file format:

1. At the printer control panel, press the **Clear All** button, then press the **Services Home** button.
2. Touch **Scan To**.
3. Touch the **Right Arrow** icon repeatedly until the Scan To Features screen appears.
4. Touch **File**.
5. From the menu, select a file type.
 - **.pdf:** This option scans your image as a PDF file type.
 - **.tif:** This option scans your image as a TIF file type.
 - **.jpg:** This option scans your image as a JPG file type.
 - **custom:** This option allows you to select a multi-page TIF file, or a file per page TIF file.



Note: For the **.jpg** file type, you cannot select black and white for the color setting.

6. To type the file name, use the control panel keypad.
7. Touch **OK**.

If File Exists Already


When you scan to a file that exists on your computer, various features are available.

To select a feature:

1. At the printer control panel, press the **Clear All** button, then press the **Services Home** button.
2. Touch **Scan To**.
3. Touch the **Right Arrow** icon repeatedly until the Scan To Features screen appears.
4. Touch **If File Already Exists**.
5. Select the appropriate option from the menu.
 - **Append a Number to Name:** This option adds a number to the end of the filename. Example: xerox.001.pdf.
 - **Append Date & Time to Name:** This option adds the date and time to the end of the filename (YYYYMMDDhhmmss). Example: xerox20180222073818.pdf.
 - **Add to pdf Folder:** This option adds the PDF to the folder that you created on your computer.
 - **Overwrite Existing File:** If file names are identical, this option overwrites an existing file with file that you are saving.
6. Touch **OK**.

Setting the Document Orientation

Set the orientation of the document that you are loading in the document feeder.

 **Note:** If you are placing the document on the document glass, you do not have to set the orientation of the document. Orientation depends on the direction in which you load the document.

To set the orientation of the original document:

1. At the printer control panel, press the **Clear All** button, then press the **Services Home** button.
2. Touch **Scan To**.
3. Touch the **Right Arrow** icon repeatedly until the Scan To Features screen appears.
4. Scroll, then touch **Original Orientation**.
5. Touch either **Upright Feed Top Up** or **Sideways Feed Top Left**.
6. Touch **OK**.

Lightening or Darkening the Image

To lighten or darken an image:

1. At the printer control panel, press the **Clear All** button, then press the **Services Home** button.
2. Touch **Scan To**.
3. Touch the **Right Arrow** button repeatedly until the Scan To Features screen appears.
4. Touch **Lighten/Darken**.
5. To adjust the intensity, move the slider control.
6. Touch **OK**.

Setting Background Suppression

Adjust the background suppression for documents printed on thin paper or paper with text or images visible on the back of the paper. Select Auto Suppression or adjust the background suppression settings to reduce the sensitivity of the printer for variations in light background colors.

To set the background suppression:


1. At the printer control panel, press the **Clear All** button, then press the **Services Home** button.
2. Touch **Scan To**.
3. At the top of the Scan To screen, touch the **Right Arrow** icon repeatedly until the Scan To Features screen appears.
4. Touch **Background Suppression**.

5. Select one of the options.
 - **OFF:** This option indicates that the Background Suppression feature is not activated.
 - **Auto Suppression:** To improve image quality, select this option. The printer automatically examines a sample of the document that you are scanning, and adjusts the image quality.
 - **Enhance:** This option improves image quality. To adjust the image quality, move the slider up and down between the range of 1–2. The higher the number, the more vivid the background.
 - **Erase:** This option erases the margins from the image. To erase the margins, move the slider between 1–4. The higher the number, the lighter the background.
6. Touch **OK**.


Setting the Scan Resolution

Set the resolution options based on the type of original document that you want to scan, and how you plan to use the scanned image. Scan resolution affects both the size and image quality of the scanned image file. Higher scan resolution produces better image quality and a larger file size.

1. At the printer control panel, press the **Clear All** button, then press the **Services Home** button.
2. Touch **Scan To**.
3. Touch the **Right Arrow** button repeatedly until the Scan To Features screen appears.
4. Scroll, then touch **Resolution**.
5. Select a DPI option:

 **Note:** DPI indicates the scan resolution options in dots-per-inch.

- **72**
- **100**
- **200**
- **300**
- **400**
- **600**

 **Note:** For details, refer to [Scan Resolution Options](#).

6. Touch **OK**.

Scan Resolution Options

DPI (Dots per Inch)	Image Quality	File Size	Purpose
72	Acceptable	Smallest	This DPI setting is for onscreen viewing only. If you print the image, it can appear grainy.
100	Good	Small	This DPI setting is for onscreen viewing only. If you print the image, it can appear grainy.
200	Good	Moderate	Best suited for standard office documents and photographs.
300	High	Large	Offers better image quality for standard office documents and photographs. Recommended for automated

DPI (Dots per Inch)	Image Quality	File Size	Purpose
			processing and OCR (Optical Character Recognition).
400	Higher	Very Large	Used for original documents that have thin lines, small font sizes, or for image enlargement.
600	Highest	Extremely Large Files scanned at 600 DPI can take longer to transmit over a network.	Intended for commercial-quality printing.

Specifying the Original Document Size

When you scan a document to send to a network, you can set various features.

To specify the original document size:

1. At the printer control panel, press the **Clear All** button, then press the **Services Home** button.
2. Touch **Scan To**.
3. Touch the **Right Arrow** icon repeatedly until the Scan To Features screen appears.
4. Scroll, then touch **Original Size**.
5. To select an option, touch the **Down Arrow** icon.
 - **Preset:** This option provides a list of document sizes.
 - **Custom:** This option provides a way for you to enter a custom document size or area to scan.
6. Touch **OK**.

Specifying the Original Document Type

The printer optimizes the image quality of the copies, based on the type of images in the original document, and how the original was created.

To specify the original document type:

1. At the printer control panel, press the **Clear All** button, then press the **Services Home** button.
2. Touch **Scan To**.
3. Touch the **Right Arrow** icon repeatedly until the Scan To Features screen appears.
4. Scroll, then touch **Original Type**.
5. Touch the **Down Arrow** icon as many times as necessary to select an option:
 - **Photo & Text:** Use this setting for the following:
 - Documents with text and photos printed on the paper
 - Photocopied documents that include text and photos

Using the Services


- Documents that include photos and text on photographic paper
 - **Photo:** Use this setting for the following:
 - Original photographs on photographic paper
 - Photos printed on magazine paper
 - Photocopied photos
 - **Text:** Use this setting for black and white or colored text.
6. After you select the appropriate document type, touch **OK**.

Email

You can use the Email function to scan images and attach them to emails. You can specify the file name and format of the attachment, and include a subject heading and message for the email.

You can adjust settings for individual Email jobs, and save settings as Presets for future jobs. You can customize the features list.

Scanning to an Email Address

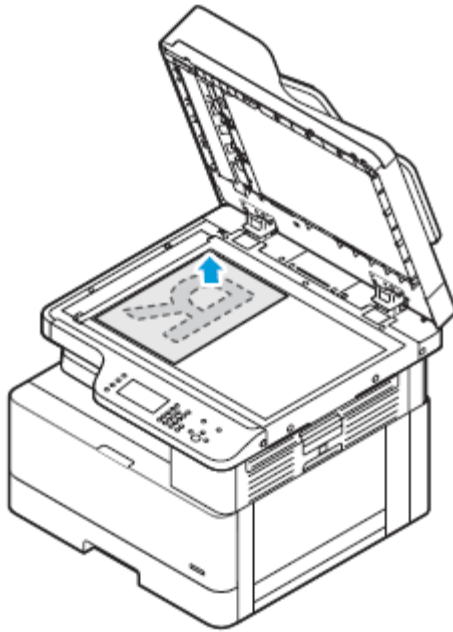
 **Note:** When you use this feature, the scanned images are sent as email attachments.

Before you scan to email, configure the email SMTP and From field properties. At least one email address is required in the address book. If email properties are not configured properly, the email icon appears grayed-out on the touch screen.

To scan to an email address:

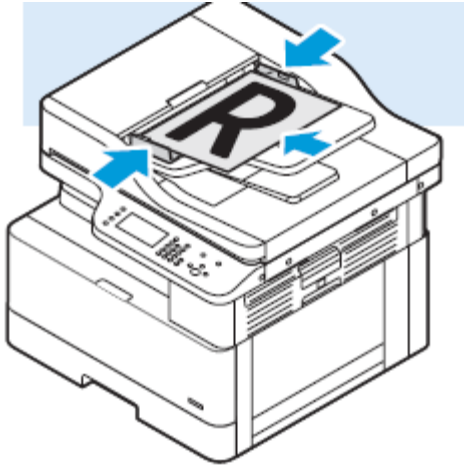
1. Load your original documents in the document feeder or on the document glass.
 - For single pages, or paper that cannot be fed using the document feeder, use the document glass. Place the first page of the document face down, in the top-left corner of the document glass.

 **Note:** For details, refer to [Using the Document Glass](#) and [Document Glass Guidelines](#).



- For multiple or single pages, use the document feeder. Remove any staples and paper clips from the pages, then place the pages face up in the document feeder.

 **Note:** For details, refer to [Document Feeder](#) and [Document Feeder Guidelines](#).



2. To clear previous settings, press the **Clear All** button.
3. Press the **Services Home** button.
4. On the printer control panel, touch **Email**.

If the Scanning to an Email Address feature is grayed-out, contact your system administrator to enable the feature. For details, refer to the *System Administrator Guide* at www.xerox.com/office/B1022_B1025docs.

5. Enter the Recipient information.
 - To type the email address into the To field, select **Enter Recipient**, then use the touch screen keypad. Touch **OK**.
 - To select a contact or group from the Address Book, touch the **Device Address Book** icon. From the list, select a recipient.
 - If you created Favorites, to select a Favorite, touch **Favorites**. From the list, select an Email Favorite.

For details about using the Address Book, and managing and creating Favorites, refer to [Address Book](#).

6. Touch the **Right Arrow** icon.
7. Adjust the email features as needed:
 - To save the scanned document with a specific file name, touch **Attachment**, then use the touch screen keypad and enter a new name. Touch **OK**.
 - To save the scanned document with a specific file format, touch the attachment file format, then select the required format.
 - To change the subject line, touch **Subject**, then use the keypad and enter a new subject line. Touch **OK**.
 - To change the email body message, touch **Message**, enter a new message, then touch **OK**.
 - If necessary, set the **From** and **Reply To** addresses.
8. Touch the **Back Arrow** icon.
9. To start the scan, press the **Start** button.

Using the Services

10. If you are scanning from the document glass, when prompted, to finish scanning, touch **Done**. To scan another page, touch **Scan**.



Note: If you are scanning a document from the automatic document feeder, a prompt does not appear.

11. To return to the Home screen, press the **Home** button.

Fax

If the Fax feature is grayed-out, contact your system administrator to enable the feature. For details, refer to the *System Administrator Guide* at www.xerox.com/office/B1022_B1025docs.

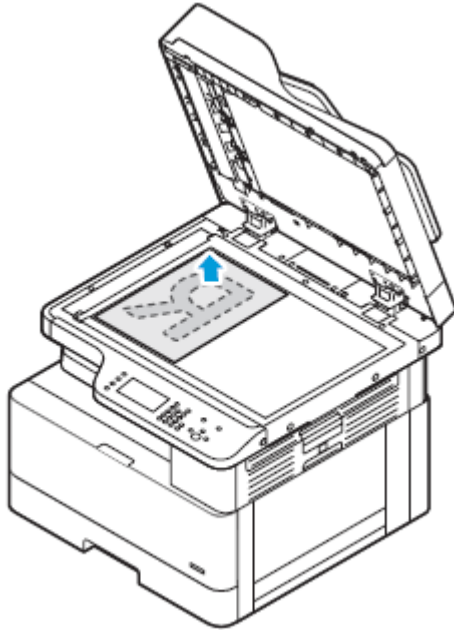
Sending a Fax

1. Load your original documents.

- For single pages, or paper that cannot be fed using the document feeder, use the document glass. Place the first page of the document face down, in the top-left corner of the document glass.



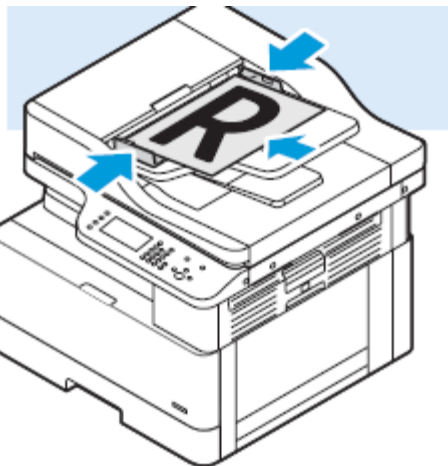
Note: For details about using the document glass and associated guidelines, refer to [Using the Document Glass](#) and [Document Glass Guidelines](#).



- For multiple or single pages, use the document feeder. Remove any staples and paper clips from the pages, then place the pages face up in the document feeder.



Note: For details about using the document feeder and associated guidelines, refer to [Document Feeder](#) and [Document Feeder Guidelines](#).



2. At the printer control panel, press the **Clear All** button, then press the **Services Home** button.

3. Touch **Fax**.

If the Fax feature is grayed-out, contact your system administrator to enable the feature. For details, refer to the *System Administrator Guide* at www.xerox.com/office/B1022_B1025docs.

4. To enter a Fax address, use one or more of the available options.

- **Enter Recipient:** This option allows you to enter a fax number manually.
- **Device Address Book:** This option allows you to access the printer address book.
- **Manual Dial Mode:** This option allows you to insert characters, such as Dial Pause, in a fax number.

5. Adjust other fax options, as needed.

For details, refer to [Adjusting Faxing Options](#).

6. Press the green **Start** button.

After the printer scans all pages, the printer transmits the document.

Adjusting Faxing Options

Selecting 1-Sided or 2-Sided Scanning

The printer provides these faxing options: 1-Sided, 2-Sided, or 2-Sided, Rotate Side 2. Either of the 2-Sided faxing options initiates the process of faxing both sides of the document.

1. At the printer control panel, press the **Clear All** button, then press the **Services Home** button.

2. Touch **Fax**.

The Fax Features screen appears.

3. Touch the **Right Arrow** icon twice.

4. To change the setting, touch **2-Sided Scanning**. The current setting is indicated in smaller type under the image of the icon.

5. Select the **1-Sided** or **2-Sided Scanning** option.

6. Touch **OK**.

Setting the Orientation of the Original Document

Set the orientation of the document that you are loading in the document feeder.



Note: If you are placing the document on the document glass, you do not have to set the orientation of the document. In this case, the orientation depends on the direction in which you load the document.

1. At the printer control panel, press the **Clear All** button, then press the **Services Home** button.

2. Touch **Fax**.

3. Touch the **Right Arrow** icon twice.

The Fax Features screen appears.

4. Touch **Original Orientation**.

Using the Services

5. Touch an option:
 - **Upright Feed Top Up**
 - **Sideways Feed Top Left**
6. Touch **OK**.

Lightening or Darkening the Image

1. At the printer control panel, press the **Clear All** button, then press **Services Home** button.
2. Touch **Fax**.
3. At the top of the Fax screen, touch the **Right Arrow** icon twice.
The Fax Features screen appears.
4. Touch **Lighten/Darken**.
5. To adjust the intensity, move the slider control.
6. Touch **OK**.

Setting Background Suppression

Adjust the background suppression setting for these conditions:

- For documents printed on thin paper or paper with text or images visible on the back of the paper.
 - To reduce the sensitivity of the printer to variations in light background colors.
1. At the printer control panel, press the **Clear All** button, then press the **Services Home** button.
 2. Touch **Fax**.
 3. At the top of the Fax screen, touch the **Right Arrow** icon twice.
The Fax Features screen appears.
 4. Touch **Background Suppression**.
 5. Select one of the options:
 - **OFF**: This option indicates that the Background Suppression feature is not activated.
 - **Auto Suppression**: To improve image quality, select this option. The printer automatically examines a sample of the document that you are scanning, and adjusts the image quality.
 - **Erase**: To erase the margins from the image, move the slider between 1 - 4. The higher the number, the lighter the background.
 6. Touch **OK**.

Sending Header Text

If the Sending Header Text feature is grayed-out, contact your system administrator. For details, refer to the *System Administrator Guide* at www.xerox.com/office/B1022_B1025docs.


To include the fax header text in a fax:

1. At the printer control panel, press the **Clear All** button, then press **Services Home** button.
2. Touch **Fax**.

3. At the top of the Fax screen, touch the **Right Arrow** icon twice.
The Fax Features screen appears.
4. Touch **Send Header Text**.
5. Touch **Off** or **On**.
6. Touch **OK**.

Sending a Delayed Fax

You can scan and save a fax on the printer, then send the fax later. You can set a delay time of 15 minutes to 24 hours. If you do not set a delay time, the printer sends the job immediately.


 **Note:** If this feature is not set up, contact the system administrator for assistance.

1. At the printer control panel, press the **Clear All** button, then press the **Services Home** button.
2. Touch **Fax**.
3. At the top of the screen, touch the **Right Arrow** icon twice.
4. Touch **Delay Send**.
5. To enable the delayed fax feature, from the menu, select **ON**.
6. Touch the **Hour** field. To set a number, touch the **Arrow** icons.
7. Touch the **Minute** field. To set a number, touch the **Arrow** icons.
8. If your printer is set to display the 12-hour clock, touch **AM** or **PM**.
9. Touch **OK**.

Setting the Fax Resolution


Set the fax resolution options based on the type of original document that you want to fax. Fax resolution affects both the size and image quality of the faxed document file. Higher fax resolution produces better image quality and a larger file size.

1. At the printer control panel, press **Clear All**, then press the **Services Home** button.
2. Touch **Fax**.
3. Touch the **Right Arrow** button twice.
The Fax Features screen appears.
4. Touch **Resolution**.
5. Select an option:
 - Image Quality Name and DPI
 - Image Quality Description
 - File Size
 - Purpose

 **Note:** For more information, refer to [Fax Resolution Options](#).

6. Touch **OK**.

Fax Resolution Options

Image Quality Name and DPI	Image Quality Description	File Size	Purpose
Standard: 200 x 100 dots per inch	Standard	Moderate	Use this setting for standard office documents and photographs.
Fine: 200 dots per inch	Good	Moderate	Use this setting for standard office documents and photographs.
Super Fine: 600 dots per inch	Highest	Extremely Large  Important: These files are not ideal for transmitting over the network.	Use this setting for commercial-quality printing.

Specifying the Original Document Size

To ensure that the printer scans the correct area of your document, specify the original document size.

1. At the printer control panel, press the **Clear All** button, then press the **Services Home** button.
2. Touch **Fax**.
3. Touch the **Right Arrow** icon twice.
The Fax Features screen appears.
4. Touch **Original Size** or select one of the preset paper sizes.
5. Touch **OK**.


Specifying the Original Document Type

To indicate the type of original document that you want to fax, use the Original Document Type setting.

1. At the printer control panel, press the **Clear All** button, then press the **Services Home** button.
2. Touch **Fax**.
3. Touch the **Right Arrow** icon twice.
The Fax Features screen appears.
4. Touch the **Original Type** icon.
5. Select an option:
 - **Photo & Text:** Use this option when the fax contains both a photo and text.
 - **Photo:** Use this option when the fax contains only photos.
 - **Text:** Use this option when the fax contains only text.
6. Touch **OK**.

Using Fax Mailboxes

Storing a Fax in a Local Mailbox

 **Note:** To enable this feature, contact your system administrator. The system administrator uses the Store to Mailbox feature to create a mailbox, and enable and configure the options. For details, refer to the *System Administrator Guide*: www.xerox.com/office/B1022_B1025docs

To store a fax in a local mailbox:

1. At the printer control panel, press the **Clear All** button, then press the **Services Home** button.
2. Touch **Fax**→**Mailboxes**→**Store To Mailbox**.
3. Touch **Local Mailbox**→**Enter Mailboxes**
4. To enter a mailbox number and passcode, use the control panel touch screen.
5. Touch **OK**.

Storing a Fax to a Remote Mailbox

1. At the printer control panel, press the **Clear All** button, then press the **Services Home** button.
2. Touch **Fax**→**Mailboxes**.
3. Touch **Store To Mailbox**→**Remote Mailbox**→**Enter Mailboxes**.
4. To enter a remote fax number or remote mailbox number, use the control panel touch screen.
5. Touch **OK**.

Printing Local or Remote Mailbox Documents

Use this feature for documents stored in a mailbox. To print local mailbox documents:

1. At the printer control panel, press the **Clear All** button, then press the **Services Home** button.
2. Touch **Fax**→**Mailboxes**.
3. Touch **Print From Mailbox**.
4. From the menu, touch **Local Mailbox** or **Remote Mailbox**.
5. To enter a mailbox number and pass code, use the touch screen keyboard.
6. Touch **Print**.

Polling

Polling a Remote Fax

To retrieve documents stored on another fax machine, use remote polling.

To poll a remote fax:

1. At the printer control panel, press the **Clear All** button, then press the **Services Home** button.
2. Touch **Fax**→**Polling**.

3. Touch **Retrieve/Print Remote Files**.
4. To enter the fax number, use the control panel touch screen.
5. Touch **OK**.

Storing a Fax for Local or Remote Polling

To prepare fax documents stored on one printer for remote polling by other printers, enable Secure or Non-Secure Local Polling. When Secure Local Polling is activated, you can create a list of fax numbers that allow the printer to access stored faxes on the printer.

To store a fax:

1. At the printer control panel, press the **Clear All** button, then press the **Services Home** button.
2. Touch **Fax**→**Polling**.
3. Touch **Store Locally for Remote Polling**.
4. You can select the name of a fax recipient that appears on the screen, or add a recipient. Select an option:
 - Select a Recipient
 - Add a Recipient
5. At the top of screen, touch the **Right Arrow** icon.
6. To adjust fax options, touch an option on the Fax Features screen.
For details, refer to [Adjusting Faxing Options](#).

Printing or Deleting All Stored Faxes

1. At the printer control panel, press the **Clear All** button, then press the **Services Home** button.
2. Touch **Fax**→**Polling**.
3. Touch **Local File Management**, then select **Print All Files** or **Delete All Files**.

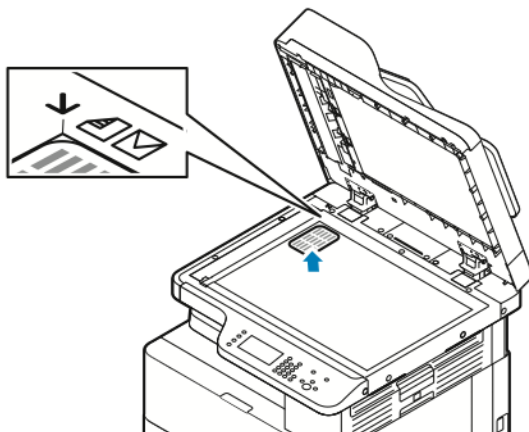
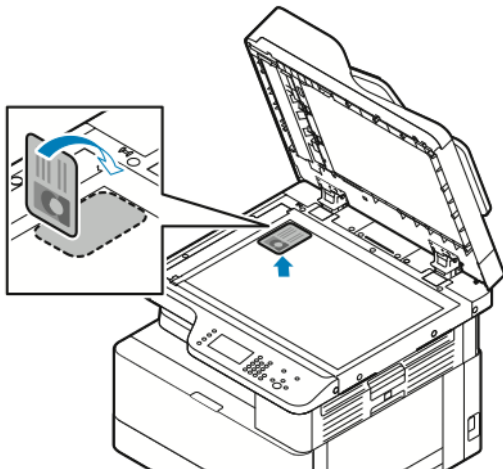
ID Card Copy

You can use the ID Card Copy service to copy both sides of an ID card or small document onto one side of paper. To copy the card, place each side on the document glass. The printer stores both sides of the document, then prints them side by side on the paper.

Copying an ID Card

To copy an ID card:

1. Press the **Services Home** button, then scroll down and touch **ID Card Copy**.
2. To select the number of copies, use the control panel the keypad.
3. Touch the **Right** arrow.
4. To change ID Card copy options, touch each tab, then make the needed changes. You can change the paper supply, lighten or darken an image, or use auto suppression.
5. Lift the document cover.
6. Place the ID card, or a document smaller than half the selected paper supply size, in the upper left corner of the document glass.



Using the Services

7. Press the **Start** button.

The printer copies and stores the first side of the ID card. You are prompted to turn over the ID card, then press the **Start** button.

8. To copy the second side of the ID card, repeat the previous steps.

The printer copies the second side of the ID card.

9. Lift the document cover, then remove the ID card or document.

USB

Use the USB service to scan and save images to a USB Flash drive, or to print from a USB Flash drive. Scanned images are saved in .jpg, .pdf and .tif file formats. Print jobs already stored on a USB drive must be in a print-ready format, such as PDF, TIFF, or JPEG.

Scanning to a USB Flash Drive

You can scan a document and store the scanned file on a USB Flash drive. The supported file types are .jpg, .pdf, and .tiff.

1. At the printer, load the original document on the document glass, or in the document feeder.
2. Insert a USB Flash drive into the USB port on the front of your Xerox printer.
The control panel touch screen displays the USB Device Detected screen.
3. If the USB Device Detected screen does not appear automatically on the control panel, touch **Scan to USB**.
4. Change scan settings, as needed. For details, refer to [Adjusting Scanning Options](#).
5. To begin the scan, press the green **Start** button.



Note: Do not remove the USB Flash drive until prompted. If you remove the flash drive before the transfer is complete, you can damage the file.

Printing from a USB Device

You can print the following types of files directly from a USB device:

- .jpg
- .pdf
- .ps
- .pcl
- .prn
- .tiff



Note: If USB ports are disabled, you cannot use a USB card reader for authentication. In addition, you cannot update the software or print from a USB device.

Before you begin, ensure that your system administrator set up and enabled the feature on your Xerox printer. For details, refer to the *System Administrator Guide* at www.xerox.com/office/B1022_B1025docs.

To print from a USB device:

1. Insert your USB device in a USB port on the printer. The Print from USB window appears.
2. To locate the printable file from the list on the printer control panel, scroll up or down.
3. If the print file is in a folder, open the folder, and then touch the folder name.
4. Touch the name of the printable file, and then touch **OK**.
5. To select print options, touch the **Forward Arrow** icon located in the upper right corner of the window.

Using the Services

6. Press the green **Start** button.
7. To print another file from the USB device, touch the **Back Arrow** icon located in the upper right corner of the window.
8. Touch **Add File**.

Saved Jobs

Saved jobs are documents sent to the printer and stored there for future use. Any saved jobs appear on the Saved Jobs page. Use the Saved Jobs service to view, print, and delete saved jobs, and create and manage folders in which they are stored.

Printing from the Saved Jobs List

1. At the printer control panel, press the **Services Home** button, then touch **Saved Jobs**.
2. Touch the name of the saved job that you want to print.
3. Touch **OK**.
4. Press the green **Start** button.
5. To return to the list of saved jobs, after the job prints, touch **Browse**.

Address Book

Use the Address Book feature to create contacts for use with the Email, Fax, and Scan services.

- You can add contacts to the Address Book using Xerox® Centware® Internet Services.
- You can use the Address Book feature to scan documents to contacts in an address book.

Adding a Contact to an Address Book

To add a contact as an address book entry, use Xerox®CentreWare® Internet Services.

1. At your computer, open a Web browser. In the address field, type the IP address of the printer, then press **Enter** or **Return**.
2. Click **Address Book**.
3. Click the **Add** icon.
4. Provide information for the following fields:
 - **First Name:** Type the first name that you want to appear in the Address Book.
 - **Last Name:** Type the last name that you want to appear in the Address Book.
 - **Company:** Type the company name to which the contact is associated.
 - **Display Name:** Type the name of the contact as you want the name to appear on the printer control panel. The Display Name is required.



Note: You can set up a contact name to appear as a favorite on the printer control panel. After you enter the display name, click the **Make Global Favorite Star** icon.

- **Email :** Type the email address for the address book contact.



Note: You can set up an email address to appear as a favorite on the printer control panel. After you enter the email address for the contact, click the **Make Email Favorite Star** icon.

5. Click the **Scan To Destination** icon.
6. Provide information for the following fields:
 - **Nickname:** Type the name of the scan destination. The nickname is required.
 - **Protocol:** Select the format of the file transfer. Available protocols are FTP, SMB, HTTP, HTTPS, and SFTP.
 - **Address Type:** Identify the address type of your computer. Select **IPv4 Address** or **Host Name**, then enter the required information.
 - **Document Path:** Enter the path, and the directory or folder name where the scanned files are stored on your computer.
 - **Login Name:** Enter your computer user name. The Login Name is required.



Note: You can set your nickname and login name to appear on the printer control panel. After you enter your nickname and login name, click the **Make Scan Favorite Star** icon.

- **Password:** Enter your computer login password.
 - **Retype Password:** Enter your login password again.
7. To save the new password, click **Select to save new password**.
 8. Click **Save**.

Importing a Contact Entry into an Address Book

You can import a contact entry into an address book using Xerox®CentreWare® Internet Services software.

1. At your computer, open a Web browser. In the address field, type the IP address of the printer, then press **Enter** or **Return**.
2. Click **Address Book**.
3. Click the **Import From File** icon.
4. Click **Browse**, then select the Address Book file that you want to import.



Note: You can import only .csv files.

5. For Existing Content Management, click **Add new contacts to the existing Device Address Book** or **Replace existing Device Address Book with the new contacts**.
6. Click **Upload File**.
7. Verify the information in the address book fields.
8. Click **Import**.

Editing or Deleting an Address Book Contact in Xerox® CentreWare® Internet Services

To edit or delete Address Book contacts:

1. At your computer, open a Web browser. In the address field, type the IP address of the printer, then press **Enter** or **Return**.
2. Click **Address Book**, then select the contact.
3. Edit or delete the contact name or information.
 - To edit the selected contact name or contact information, click **Edit**. Edit the information as needed. To save the changes, click **Save**.
 - To delete the selected contact from the Address Book, click **Delete**. At the prompt, click **OK**.

Job Status

You can use the Job Status button to view information about current and completed jobs.

Viewing Job Status on the Control Panel

To view a list of active and completed jobs on the control panel:

1. At the control panel, press the **Job Status** button.
2. To view a list of active jobs, touch **Active**.
3. To view a list of completed jobs, touch **Completed**.
4. To view a list of secure jobs, touch **Secure Jobs**.
5. To print all jobs, touch the jobs, then touch **Print All**.
6. To delete all jobs, touch the jobs, then touch **Delete All**.

Deleting an Active Print Job

You can delete an active print job from the printer control panel.



Note: The system administrator can restrict users from deleting jobs. If a system administrator has restricted job deletion, you can view the jobs, but cannot delete them. Only the user who sent the job, or the system administrator, can delete an active print job.

1. At the printer control panel, press the **Job Status** button.
2. Touch the **Active Jobs** tab.
3. To delete the print job, from the Active Jobs list, touch the name of the job, then touch **Delete**.

Machine Status

You can use the Machine Status feature to view information about the printer:


- Machine Information
- Active Messages
- Supplies
- Billing Information

Locating the IP Address of the Printer

You can view the IP address of your printer on the control panel or on the Configuration Report.

Note:

- You need the IP address of your printer to install print drivers for a network-connected printer.
 - Use the IP address to access and configure any printer settings in Xerox® CentreWare® Internet Services.
1. To view the IP address of the printer on the control panel, press the **Machine Status** button.
 2. Touch **Machine Information**. If your system administrator set the Display Network Settings to show the IP address, it appears in the Machine Information list.

 **Note:** If the IP address does not appear in the Machine Information list, to view the IP address, print the Configuration Report, or contact your system administrator. To print a Configuration Report, refer to [Printing the Configuration Report](#).

Viewing Warning Messages on the Control Panel

When a warning condition occurs, a message appears on the control panel to inform you of the problem. Warning messages inform you about printer conditions, such as low supplies or open doors, that require your attention.

Viewing Faults and Alerts Messages on the Control Panel

When an error condition occurs, a message appears on the control panel to inform you of the problem. Error messages warn you about printer conditions that prevent the printer from printing, or degrade printing performance. If more than one error occurs, only one is displayed on the control panel.

To view a list of the current errors on the control panel:

1. At the printer control panel, press the **Machine Status** button.
2. Touch the **Active Messages** tab.
3. Touch the **Faults and Alerts** menu, then choose an option.
 - **Faults:** This option shows the error messages that affect the printer operation, and the corresponding fault codes.
 - **Alerts:** This option shows alert messages about the printer status, and the corresponding alert codes.

Viewing Printer Supplies Status

You can check the status of your printer supplies at any time using Xerox® CentreWare Internet Services or the printer control panel.

 **Note:** To view printer supplies status using Xerox® CentreWare® Internet Services, refer to the *System Administrator Guide* at www.xerox.com/office/B1022_B1025docs.

To view printer supplies status:


1. At the printer control panel, press the **Machine Status** button.
2. Touch the **Supplies** option. A listing of supplies status appears.

Viewing Billing Meter Information

Billing meter information appears on the Billing Information screen. The impression counts onscreen are used for billing.

To view billing and usage information:

1. At the printer control panel, press the **Machine Status** button.
2. To view basic impression counts, touch the **Billing Information** option.

 **Note:** A page is one side of a sheet of paper. A sheet that has printing on two sides counts as two impressions.

The serial number of the printer, number of black impressions, number of total impressions, and the Usage Counters option appear.

3. To view and update all usage counters, touch the **Usage Counters** option.
4. To select and view any of the counters, use the menu, then select a counter.
 - Impression Counters
 - Sheet Counters
 - Images Sent Counters
 - Fax Impression Counters
 - All Usage Counters
5. To update counter data to current usage, touch the **Update Counters** option.

Printing

This chapter contains:

- [Printing Overview](#) 92
- [Selecting Printing Options](#) 93
- [Printing Features](#) 100
- [Using Custom Paper Sizes](#) 107

Printing Overview

Before printing:

- Plug in your computer and printer
 - Power on the printer
 - Connect the printer internally, or to an active network
 - Ensure that you have the correct print driver software installed on your computer.
1. Select the appropriate paper.
 2. Load the paper in the appropriate tray.
 3. At the printer control panel, specify the paper size and paper type.
 4. In your software application, access the print settings.
 - For Linux, press **CTRL→P**.
 - For Macintosh, press **CMD→P**.
 - For Windows, press **CTRL→P**.
 5. Select your printer.
 6. To access the print driver settings: for Windows, select **Printer Properties** or **Preferences**.
 - For Linux, to launch the print manager dialog window, type `sudo xeroxprtmgr`. For the queue to be modified, select **Queue Preferences** or **Queue Properties**.
 - For Macintosh, select **Xerox Features**.
 - For Windows, select **Printer Properties** or **Preferences**.
 7. Select the needed options.
 8. To send the job to the printer, click **Print**.

Related Topics:

[Loading Paper](#)

[Selecting Printing Options](#)

[Printing on Both Sides of the Paper](#)

Selecting Printing Options

Printing options, or print driver software options, are named differently, depending on the software application that you are using.

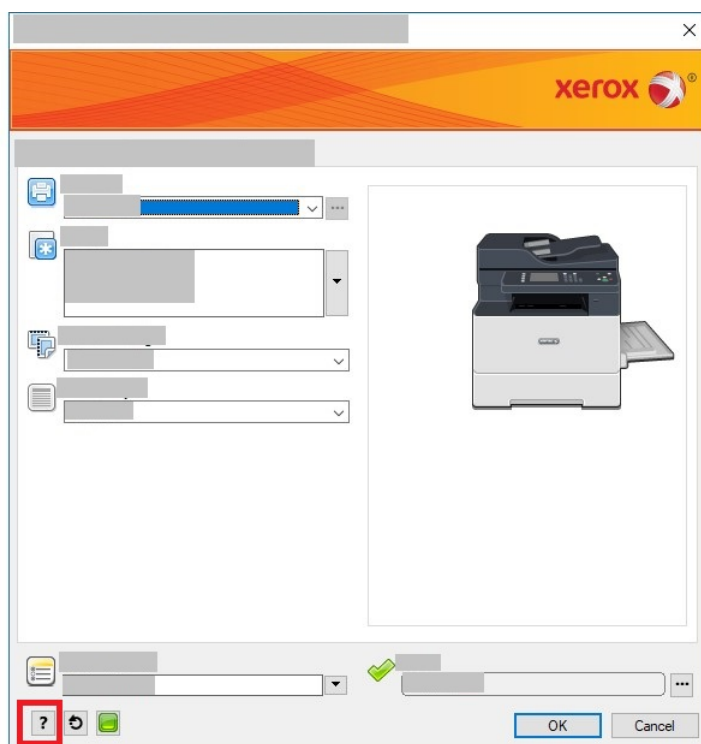
- For Linux, the **xeroxprtmgr** command line utility is used to launch a queue manager. The use of this command line utility allows the user to modify installed Xerox print queues.
- For Macintosh, printing options are named Xerox Features.
- For Windows applications, printing options are named Printer Properties.

Printing options include settings for 2-sided printing, page layout, and print quality. You can choose default settings for various printing options.

For more information, refer to [Setting Printing Defaults in Windows](#) and [Selecting Printing Options for Macintosh](#). Printing options that you set from within the software application are temporary and are not saved.

Print Driver Help

Xerox® print driver software Help is available from the Printer Properties window. To see print driver help, in the Printer Properties window, in the bottom left corner, click **Help (?)**. Information about Printer Properties window tabs and options appears in the Help window.



Windows Printing Options

Setting Printing Defaults in Windows

When you print from any software application, the printer uses the print job settings specified in the Printer Properties window. You can specify common printing options, then save the options so that you do not have to change them every time you print.

For example, if you want to print on both sides of the paper for your jobs, in Printer Properties, specify 2-sided printing.

To select default printing options:

1. On your computer, navigate to the list of printers.
 - For Windows Vista, click **Start**→**Control Panel**→**Hardware and Sound**→**Printers**.
 - For Windows Server 2008 and later, click **Start**→**Settings**→**Printers**.
 - For Windows 7, click **Start**→**Devices and Printers**.
 - For Windows 8, click **Start**→**Control Panel**→**Devices and Printers**.
 - For Windows 10, click **Start**→**Settings**→**Devices**→**Printers & Scanners**. Under Related settings, click **Devices and Printers**.
2. In the list of printers, right-click the icon for your printer, then select **Printing Preferences** or **Manage**→**Printing Preferences**.
3. In the Printing Preferences window, click a tab, then select the options. To save the setting, click **OK**.

For more information about Windows print driver options, in the Printing Preferences window, click **Help** (?).

Selecting Windows Print Options for an Individual Job

To use special printing options for a particular job, before you send a job to the printer, change the Printer Properties. For example, if you want the highest print quality for your document, in the Printer Properties dialog, select **Printing Options**→**Print Quality**→**Enhanced**.

1. With the document open in your software application, access the print settings. For most software applications, click **File**→**Print**, or press **CTRL**→**P**.
2. Select your printer from the list, then click **Printer Properties**. The title of the button varies, depending on your software application.
3. In the Printer Properties window, click a tab, then select the required options.
4. To save your selections and close the Printer Properties window, click **OK**.
5. To send the job to the printer, click **Print**.

Saving a Set of Commonly Used Printing Options for Windows

You can define and save a set of printing options that you can apply to future print jobs.

To save a set of printing options:

1. With the document open in your software application, click **File**→**Print**.
2. Select the printer, then click **Printer Properties**.

3. In the Printer Properties window, select the appropriate options.
4. To save the settings, click **Saved Settings**→**Save As**.
5. Type a name for the set of printing options, then click **OK**.
6. To print using your saved options, from the **Saved Settings** list, select the saved name.

Macintosh Printing Options

Selecting Printing Options for Macintosh

To use specific printing options, before you send a job to the printer, change the print settings.

1. With the document open in your application, click **File**→**Print**.
2. Select your printer.
3. Select **Xerox Features**.
4. Select the options needed.
5. Click **Print**.

Saving a Set of Commonly Used Printing Options for Macintosh

You can define and save a set of options that you can apply to future print jobs.

To save a set of printing options:

1. With the document open in your application, click **File**→**Print**.
2. In the printer list, select your printer.
3. Select the printing options needed.
4. To save the settings, click **Save Current Settings as Preset**.

Linux Printing Options

Xerox® Printer Manager

Xerox® Printer Manager is an application that allows you to manage and print to multiple printers in UNIX and Linux environments.

Xerox® Printer Manager allows you to:

- Configure and check the status of network-connected printers.
- Set up a printer on your network. After installation, you can monitor printer operation.
- Perform printer maintenance checks.
- View supplies status at any time.
- Provide a common look across many different suppliers of UNIX and Linux operating systems.

Installing the Xerox® Printer Manager

Before you begin, to install Xerox® Printer Manager, ensure that you have root or superuser privileges.

To install the Xerox® Printer Manager:

1. Download the appropriate package for your operating system. To locate print drivers for your printer, go to www.xerox.com/office/B1022_B1025drivers.
2. On the print driver website, navigate to your printer model.
3. For your printer model, click **Drivers & Downloads**.
4. From the Operating System menu, select your operating system.
5. To identify the print driver for your printer model, review the list of available print drivers. For additional information about each driver, click **Description**.
6. Click the print driver for your printer model and operating system.
7. To begin the download, read the End User License Agreement, then click **Accept**.

The file downloads automatically to the default location for your computer file downloads.

8. To install the Xerox® Print Driver package for Linux:
 - a. Download the deb or rpm file.
 - b. To install the Print Driver package using a command-line utility, navigate to the directory where you downloaded the file.
 - c. To run the installer, type the appropriate command-line utility for your operating system. For example:
 - **Red Hat:** `rpm -U <filename>.rpm`
 - **Debian-based Linux:** `dpkg -i <filename>.deb`
 - **AIX:** `rpm -U <filename>.rpm`
 - **HPUX:** `<filename>.depot.gz`
 - **Solaris:** `pkgadd -d <filename>.pkg`



Note: Most installations create a Xerox directory in `/opt/Xerox/prtsys`. For additional information about utilities included in the OS package manager, refer to the manual included with the package. For example, `man xeroxprtmgr`.

Launching the Xerox® Printer Manager

To launch Xerox®Printer Manager from a command-line prompt:

1. Log in as **root**.
2. Type `xeroxprtmgr`.



Note: Another way to access the Xerox Printer Manager is to run the `xeroxprtmgr` command as root using `sudo`.

3. Press **Enter** or **Return**.

Printing from a Linux Workstation

The Xerox® print driver accepts a job ticket setting file that contains preset printing features. You can submit print requests through the command line using **lp/lpr**. For more information about Linux printing, in the Xerox® print driver, click **Help (?)**.

1. Create a print queue.
To set up a queue, refer to the *System Administrator Guide* at www.xerox.com/office/B1022_B1025docs.
2. With the required document or graphic open in your application, open the Print dialog box. For most software applications, click **File**→**Print**, or press **CTRL**→**P**.
3. Select the target print queue.
4. To access the print time dialog of the Xerox® print driver, click **Print** in the Linux print dialog box.
5. Close the Print dialog box.



Note: If you close the dialog box in another way, the print driver dialog box is not accessible.

6. In the Xerox® print driver, select the available printer features.
7. Click **Print**.

Creating a Job Ticket Using the Xerox® Print Driver

1. From a command-line prompt, open the Xerox® print driver. Log in as root, then type **xeroxprtmg**.



Note: In addition, you can access the Printer Manager by running the **xeroxprtmg** command as root.

2. On the My Printers screen, select your printer.
3. In the top corner, click **Edit Printer**, then select options for the print job.
4. Click **Save As**, then store the job ticket in your home directory.

Personally identifiable information, such as a Secure Print passcode, is not saved in the job ticket. You can specify the information on the command line.

To print using the job ticket, type the command **xeroxprint -d{Target_Queue} -oJT=<path_to_ticket> <file_name>**.

The following commands are examples of how to print using a job ticket:

```
xeroxprint -d{Target_Queue} -oJT={Absolute_Path_To_Job_Ticket} {Path_To_Print_File}
```

```
xeroxprint -dMyQueue -oJT=/tmp/DuplexedLetterhead /home/user/PrintReadyFile
```

```
xeroxprint -dMyQueue -oJT=/tmp/Secure -oSecurePasscode=1234 /home/user/PrintReadyFile
```

Mobile Printing Options

You can print from iOS and Android mobile devices to the Xerox printer. For more information, refer to [Printing from a Device Using Mopria or Google Cloud Print](#).

Printing with Wi-Fi Direct

You can connect to your printer from a Wi-Fi mobile device, such as a tablet, computer, or smartphone, using Wi-Fi Direct.

For details on using Wi-Fi Direct, refer to the documentation provided with your mobile device.

 **Note:** Depending on which mobile device you are using, the printing procedure varies.

Using the Print From Feature

The Print From feature allows printing of documents stored on the printer, a personal computer, a network computer, or a USB device.


Printing from the Saved Jobs List

1. At the printer control panel, press the **Services Home** button, then touch **Saved Jobs**.
2. Touch the name of the saved job that you want to print.
3. Touch **OK**.
4. Press the green **Start** button.
5. To return to the list of saved jobs, after the job prints, touch **Browse**.

Printing from a USB Device

You can print the following types of files directly from a USB device:

- .jpg
- .pdf
- .ps
- .pcl
- .prn
- .tiff

 **Note:** If USB ports are disabled, you cannot use a USB card reader for authentication. In addition, you cannot update the software or print from a USB device.

Before you begin, ensure that your system administrator set up and enabled the feature on your Xerox printer. For details, refer to the *System Administrator Guide* at www.xerox.com/office/B1022_B1025docs.

To print from a USB device:

1. Insert your USB device in a USB port on the printer. The Print from USB window appears.
2. To locate the printable file from the list on the printer control panel, scroll up or down.
3. If the print file is in a folder, open the folder, and then touch the folder name.
4. Touch the name of the printable file, and then touch **OK**.
5. To select print options, touch the **Forward Arrow** icon located in the upper right corner of the window.

6. Press the green **Start** button.
7. To print another file from the USB device, touch the **Back Arrow** icon located in the upper right corner of the window.
8. Touch **Add File**.

Printing Features

Managing Jobs

Managing Jobs at the Control Panel

From the printer control panel Job Status window, you can view lists of active jobs or completed jobs. You can pause, delete, print, or view job progress or job details for a selected job.

Cancelling a Print Job

1. At the printer control panel, press the **Stop** button.
2. Touch **Cancel**.

Pausing and Resuming a Print Job

There are two ways to pause and resume a print job.

1. At the printer control panel, press the **Stop** button or the **Interrupt** button.
2. To pause and resume a print job, select one of the following methods:
 - Press the **Stop** button, then touch **Resume**.
 - Press the **Interrupt** button, and then press the **Interrupt** button again.


Viewing Active or Completed Print Jobs

You can view active or completed print jobs at the printer control panel.

1. At the printer control panel, press the **Job Status** button.
2. To see a list of specific job types, touch a tab.
 - To view jobs that are in process or waiting to process, touch the **Active Jobs** tab.
 - To view completed jobs, touch the **Completed Jobs** tab.
3. To view details about a job, touch the job name, and select **Details**.

Deleting an Active Print Job

You can delete an active print job from the printer control panel.

 **Note:** The system administrator can restrict users from deleting jobs. If a system administrator has restricted job deletion, you can view the jobs, but cannot delete them. Only the user who sent the job, or the system administrator, can delete an active print job.

1. At the printer control panel, press the **Job Status** button.
2. Touch the **Active Jobs** tab.
3. To delete the print job, from the Active Jobs list, touch the name of the job, then touch **Delete**.

Managing Jobs in Xerox® CentreWare® Internet Services

You can use Xerox® CentreWare® Internet Services to view a list of active jobs, and delete print jobs from the Active Jobs list. You can print, copy, move, or delete saved jobs.

Printing Special Job Types

Special job types allow you to send a print job from your computer, then print the job from the Xerox device control panel. To select special job types from the print driver, select **Printing Options**→**Job Type**.

Printing a Saved Job

1. In your software application, access the print settings.
 - For Linux, press **CTRL+P**.
 - For Macintosh, press **CMD+P**.
 - For Windows, press **CTRL+P**.
2. Select your printer, then open the print driver.
 - For Linux, click in the Print window, and the Xerox Print UI appears.
 - For Macintosh, in the Print window, click **Print Options**, then select **Xerox Features**.
 - For Windows, click **Printer Properties**. Depending on your application, the title of the button can vary.
3. For Job Type, select **Saved Job**.
4. Type a job name or select a name from the list, then click **OK**.
5. Select any other required printing options.
 - For Linux, Click **Print**.
 - For Macintosh, click **Print**.
 - For Windows, click **OK**, then click **Print**.

Printing a Secure Print Job

1. In your software application, access the print settings.
 - For Linux, press **CTRL>P**.
 - For Macintosh, press **CMD+P**.
 - For Windows, press **CTRL>P**.
2. Select your printer, then open the print driver.
 - For Linux, in the Print window, click **Print**. The Xerox Print UI appears.
 - For Macintosh, in the Print window, click **Print Options**, then select **Xerox Features**.
 - For Windows, click **Printer Properties**. Depending on your application, the title of the button varies.
3. For Job Type, select **Secure Print**.
4. Type the passcode, confirm the passcode, then click **OK**.
5. Select any other required print options.
 - For Linux, click **Print**.
 - For Macintosh, click **Print**.
 - For Windows, click **OK**, then click **Print**.

Selecting Paper Options for Printing

The available paper options for printing are:

- Default paper size/color/type
- Other Size
- Other Color
- Other Type
- Select By Tray

Designate the paper you want to use in one of the following ways:

- Select the Auto-Select feature. When this feature is set, the printer automatically selects which paper to use, based on the document size, paper type, and paper color.
- Select the specific tray loaded with the paper that you want to use.

Scaling

Scaling reduces or enlarges the original document to match the selected output paper size. To access Scaling Options, in the Printer Properties window, select **Printing Options**→**Paper**→**Other Size**→**Advanced Paper Size**→**Scaling Options**.

- **No Scaling:** This option does not change the size of the printed image. The image measurement 100 % appears in the percentage box. If the original document size is larger than the output size, the printer crops the image. If the original document size is smaller than the output size, extra space appears around the image.
- **Automatically Scale:** This option scales the document to fit the selected Output Paper Size. The scaling amount appears in the percentage box for the sample image.
- **Manually Scale:** This option scales the document by the amount entered in the percentage box for the preview image.

Printing on Both Sides of the Paper

Paper Types for Automatic 2-Sided Printing





The printer can print a 2-sided document automatically on supported paper. Before printing a 2-sided document, verify that the paper type and weight are supported.

Printing a 2-Sided Document

Options for automatic 2-sided printing are specified in the print driver. To print the document, the print driver uses the software application settings for portrait or landscape orientation.

2-Sided Page Layout Options

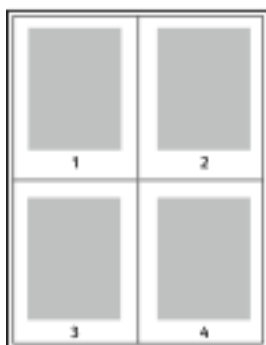
You can specify the page layout for 2-sided printing, which determines how the printed pages turn. These settings override the application page-orientation settings.

Portrait		Landscape	
			
2-Sided Print	2-Sided Print, Flip on Short Edge	2-Sided Print	2-Sided Print, Flip on Short Edge

Printing Mirror Images

If the PostScript print driver is installed, you can print pages as a mirror image in Advanced Settings. Images mirror left to right when printed.

Printing Multiple Pages to a Single Sheet



For a multiple-page document, you can print more than one page on a single sheet of paper.

- 1 In your software application, access the print settings. For Windows, press **CTRL+P**. For Macintosh, press **CMD+P**. For Linux, press **CTRL+P**.
- 2 From the list, select your printer, then click **Printer Properties**. In the native Linux Print UI, to access the Xerox Print UI, click **Print**.
- 3 In the Document Options tab, select **Page Layout**.
- 4 Select the required number of pages per sheet, then click **OK**, or you can select **Booklet Layout**.
- 5 In the Print window, click **Print**.

Print Quality

PostScript print driver print-quality modes:

- Standard print-quality mode: 600 x 600 dpi (dots per inch)
- Enhanced print-quality mode: 1200 x 1200 dpi

Printer Control Language (PCL) print driver print-quality modes:

- Standard print-quality mode: 600 x 600 dpi (dots per inch)
- Enhanced print-quality mode: 1200 x 1200 dpi

Printing Booklets

With 2-sided printing, you can print a document in the form of a small booklet. You can create booklets from any paper size that is supported for 2-sided printing.


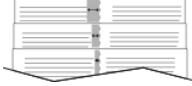
The print driver reduces each page image automatically and prints four page images for each sheet of paper, two page images on each side. The pages are printed in the correct order so that you can fold and staple the pages to create the booklet.

Printing

- For Linux, Booklet Layout is on the Layout tab.
- For Macintosh, in the Print window, in Xerox Features, Booklet Layout is on the Paper/Output list.
- For Windows, Booklet Layout is on the Page Layout tab. Page Layout is on the Document Options tab.


When you print booklets using the Windows PostScript or Macintosh print driver, you can specify the gutter and creep.

- **Gutter:** Specifies the horizontal distance in points between the page images. A point is 0.35 mm (1/72 in.).
- **Creep:** Specifies how much the page image shifts outward in tenths of a point. Shifting compensates for the thickness of the folded paper, which can cause the page image to shift outward slightly when folded. You can select a value from 0–1 point.


Gutter	Creep
	

Printing Cover Pages

A cover page is the first or last page of a document. You can select paper sources for the cover pages that are different from the source used for the body of a document. For example, you can use your company letterhead for the first page of a document. You can use heavyweight paper for the first and last pages of a report. You can use any applicable paper tray as the source for printing cover pages.

 **Note:** In Linux, you can add covers, inserts, set up exceptions, and print covers. The cover options are located under the Special Pages tab.

1. To access the cover pages in the print driver window, click **Printing Options**→**Paper**→**Covers**.
2. Select one of these page options for printing cover pages:
 - **No Covers:** This option does not print cover pages. No cover pages are added to the document.
 - **Front Only:** This option prints the first page on paper from the specified tray.
 - **Back Only:** This option prints the back page on paper from the specified tray.
 - **Front and Back: Same:** This option prints the front and back cover pages from the same tray.
3. Select the paper for the cover pages by size, color, or type.

 **Note:** You can use blank or pre-printed paper, and you can print side one, side two, or both sides of the cover pages.

Printing Watermarks from Windows

A watermark is special-purpose text that can be printed across one or more pages. For example, add a word like Copy, Draft, or Confidential as a watermark instead of stamping it on a document before distribution.

 **Note:** This feature is only available on a Windows computer printing to a network printer.

To print a watermark:

1. In the print driver, click the **Document Options** tab.
2. Click the **Watermark** tab.
3. From the Watermark menu, select the watermark. You can choose from preset watermarks, or create a customized watermark. You can manage watermarks from this menu.
4. For Custom, select an option:
 - **Text:** Enter the text in the field, then specify the font.
 - **Time Stamp:** Specify the date and time options, then specify the font.
 - **Picture:** To locate the picture, click the **Browse** icon.
5. Specify the scaling angle and position of the watermark.
 - To define the location of the image on the page, specify the position option. Use the **Arrows** to move the image in each direction in increments of 1.
 - For Picture Option: To define the size of the picture in relation to the original image, specify the size option. Use the **Arrows** to scale the image in increments of 1 %.
 - For Text and Time Stamp Options: To define the angle of the image on the page, specify the position option. Use the **Arrows** to rotate the image left or right by increments of 1.
6. For Layering, select how to print the watermark.
 - **Print in Background:** This option prints the watermark behind the text and graphics in the document.
 - **Blend:** This option combines the watermark with the text and graphics in the document. A blended watermark is translucent, so you can see both the watermark and the document content.
 - **Print in Foreground:** This option prints the watermark over the text and graphics in the document.
7. Click **Pages**, then select the pages to print the watermark:
 - **Print on All Pages:** This option prints the watermark on all pages of your document.
 - **Print on Page 1 Only:** This option prints the watermark only on the first page of the document.
8. If you select a picture as a watermark, specify the lightness settings for the image.
9. Click **OK**.

Selecting Print Orientation

Orientation allows you to select the direction that the page prints.

- For Linux, the Orientation options are located under the Layout tab.
- For Macintosh, Orientation options are in the Print window.
- For Windows, the Orientation tab is on the Document Options tab.

Printing



Note: The orientation setting in your application print dialog box can override the orientation options in the print driver.

The following options are available:

- **Portrait:** This option orients the paper so that the text and images print across the short dimension of the paper.



- **Landscape:** This option orients the paper so that the text and images print across the long dimension of the paper.




Note: For Macintosh, to print portrait text and images in landscape orientation, clear the **Auto Rotate** check box, if available.

Using Custom Paper Sizes

You can print on custom paper sizes that are within the minimum and maximum size range supported by the printer. For details, refer to [Supported Custom Paper Sizes](#).


Printing on Custom-Sized Paper

 **Note:** Before printing on custom-sized paper, define the paper size. At your computer, from the Printer Properties tab, click **Custom Paper Sizes**. For details, refer to [Defining Custom Paper Sizes](#).

Printing on Custom-Sized Paper from Linux


Before printing on custom-sized paper, define the customer size in the Xerox® Print UI.

Printing on Custom-Sized Paper from Macintosh

 **Note:** Before printing on custom-size paper, define the custom size in the Printer Properties.

1. Load the custom-size paper in the tray. For details, refer to [Loading Paper](#).
2. In the application, click **File**→**Print**.
3. From the Paper Size list, select the custom paper size.
4. Click **Print**.

Printing on Custom-Sized Paper from Windows

 **Note:** Before printing on custom-size paper, define the custom paper size in the Printer Properties tab.

1. Load the custom-size paper in the tray.
2. In your software application, access the print settings, then press **CTRL+P**.
3. Select your printer from the list, then click **Printer Properties**.
4. To select your pre-defined custom-size paper, on the Printing Options tab, from the list, click **Paper**→**Other Size**→**Fit to New Paper Size**.
5. Select the other printing options as needed, then click **OK**.
6. In the Print window, click **Print**.

Defining Custom Paper Sizes

To print custom paper sizes, define the custom width and length of the paper. You can define custom sizes in the print driver software, or at the printer control panel. When you set the paper size, ensure that you specify the same size as the paper in the tray. Setting the wrong size paper can cause a printer error. When you print using the print driver software on your computer, print driver settings override control panel settings.

Creating and Saving Custom Paper Sizes in the Print Driver

You can print custom-size paper from any paper tray. Custom-size paper settings are saved in the print driver and are available for you to select in all your applications.

For more information on supported paper sizes for each tray, refer to [Supported Custom Paper Sizes](#).

Creating and Saving Custom Paper Sizes for Windows

1. In the software application, click **File**→**Print**, then select your printer.
2. In the Print window, click **Printer Properties**, then click **Printing Options** tab.
3. For Paper, click the arrow, then select **Other Size**→**Advanced Paper Size**→**Output Paper Size**→**New**.
4. In the New Custom Paper Size window, enter the height and width of the new paper size.
5. To specify the units of measurement, at the bottom of the window, click the **Units** button, then select **Inches** or **Millimeters**.
6. To save, in the Name field, type a title for the new size, then click **OK**.

Creating and Saving Custom Paper Sizes for Macintosh

1. In the software application, click **File**→**Print**.
2. Click **Paper Size**, then select **Manage Custom Sizes**.
3. To add a custom paper size, in the Manage Paper Sizes window, click the **Plus (+)** icon.
4. Double-click **Untitled**, then type a name for the new custom paper size.
5. Enter the height and width of the new custom paper size.
6. For the Non-Printable Area field, click the arrow. From the list, select your printer. For User Defined margins, set the top, bottom, right, and left margins.
7. To save the settings, click **OK**.

Defining a Custom Paper Size at the Printer Control Panel

You can print custom-sized paper from any paper tray.

1. Add custom-sized paper to the paper tray.
2. Touch the current paper-size setting. From the list, touch **Custom**.
3. From the list, touch **Custom**.
4. In the Custom Paper Size screen, enter the height and width of the new paper size.
5. To save the setting, touch **OK**.
6. Touch **Confirm**.

5

Paper and Media

This chapter contains:

- [Supported Paper](#) 110
- [Loading Paper](#)..... 115

Supported Paper

Your printer is designed to use various paper and other media types. To ensure the best print quality and to avoid jams, follow the guidelines in this section.

For best results, use Xerox paper and media recommended for your printer.

Ordering Paper

To order paper or other media, contact your local reseller or visit www.xerox.com/office/B1022_B1025supplies.

General Paper Loading Guidelines

- Fan paper before loading it in the paper tray.
- Do not overfill the paper trays. Do not load paper above the maximum fill line in the tray.
- Adjust the paper guides to fit the paper size.
- If excessive jams occur, use paper or other approved media from a new package.




Note: This printer does not support printing on labels, envelopes, and transparencies.

Paper That can Damage Your Printer



Caution: Some paper and other media types can cause poor output quality, increased paper jams, or damage your printer. Do not use the following paper types:

- Carbonless paper
- Embossing paper
- Erasable bond
- Rough or porous paper
- Inkjet paper
- Non-laser glossy or coated paper
- Paper that has been photocopied
- Folded or wrinkled paper
- Paper with cutouts or perforations
- Stapled paper
- Thermal-Reactive paper
- Envelopes with windows, metal clasps, side seams, or adhesives with release strips
- Padded envelopes
- Plastic media
- Synthetic paper

-  **Caution:** The Xerox® Warranty, Service Agreement, and Xerox® Total Satisfaction Guarantee do not cover damage caused by using unsupported paper or specialty media. The Xerox® Total Satisfaction Guarantee is available in the United States and Canada. Coverage could vary outside these areas. For details, contact your local Xerox® representative.

Paper Storage Guidelines

For optimum print quality, store paper and other media properly.

- Store paper in dark, cool, relatively dry locations. Most paper is susceptible to damage from ultraviolet and visible light. Ultraviolet light, from the sun and fluorescent bulbs, is damaging to paper.
- Reduce the exposure of paper to strong lights for long periods of time.
- Maintain constant temperatures and relative humidity.
- Avoid storing paper in attics, kitchens, garages, or basements. These spaces are more likely to collect moisture.
- Store paper flat, either on pallets, cartons, shelves, or in cabinets.
- Avoid food or drinks in the area where paper is stored or handled.
- Do not open sealed packages of paper until you are ready to load the paper into the printer. Leave stored paper in the original packaging. The paper wrapper protects the paper from moisture loss or gain.
- Some special media is packaged inside resealable plastic bags. Store the media inside the bag until you are ready to use the media. Keep unused media in the bag and reseal it for protection.

Supported Paper Types and Weights

Trays	Paper Types	Weights
Bypass tray, Tray 1, and Tray 2	Plain	71–85 g/m ²
	Letterhead	75–90 g/m ²
	Pre-printed	75–90 g/m ²
	Hole-Punched	75–90 g/m ²
	Lightweight	60–70 g/m ²
	Heavyweight	86–105 g/m ²
	Thin Cardstock	106–163 g/m ²
	Bond	105–120 g/m ²
	Recycled	60–90 g/m ²
	Archival	75–105 g/m ²
Custom	71–85 g/m ²	

Supported Standard Paper Sizes

Tray	Standard Sizes
Bypass tray, Tray 1, and Tray 2	A3 (297 x 420 mm, 11.7 x 16.5 in.) A4 (210 x 297 mm, 8.3 x 11.7 in.) A5 (148 x 210 mm, 5.8 x 8.3 in.) B4 (257 x 364 mm, 10.1 x 14.3 in.) JIS B5 (182 x 257 mm, 7.2 x 10.1 in.) Letter (216 x 279 mm, 8.5 x 11 in.) Legal (216 x 356 mm, 8.5 x 14 in.) Oficio (216 x 340 mm, 8.5 x 13.4 in.) Folio (216 x 330 mm, 8.5 x 13 in.) Executive (184 x 267 mm, 7.25 x 10.5 in.) Ledger (432 x 279 mm, 17 x 11 in.)
Bypass tray only	A5 LEF (148 x 210 mm, 5.8 x 8.3 in.) Postcard (102 x 152 mm; 4 x 6 in.) Statement (140 x 216 mm, 5.5 x 8.5 in.)

Supported Custom Paper Sizes

Tray	Width	Length
Bypass tray	125–297 mm (4.9–11.7 in.)	102–432 mm (4.0–17 in.)
Tray 1 and Tray 2	148–297 mm (5.8–11.7 in.)	182–432 mm (7.2–17 in.)
Custom Duplex	130–297 mm (5.1–11.7 in.)	182 – 432 mm (7.2–17 in.)

Supported Paper Types and Weights for Automatic 2-Sided Printing

Paper Types	Weights
Lightweight	60–70 g/m ²
Recycled	60–90 g/m ²

Paper Types	Weights
Plain Letterhead Hole-Punched Pre-printed	71–90 g/m ²
Heavyweight	86–110 g/m ²
Bond	105–120 g/m ²
Thin Cardstock	111–140 g/m ²

Supported Standard Paper Sizes for Automatic 2-Sided Printing

Standard Sizes	Dimensions
A4	210 x 297 mm (8.3 x 11.7 in.)
A5 (SEF or Short-Edge Feed)	148 x 210 mm (5.8 x 8.4 in.)
A3	297 x 420 mm (11.7 x 16.5 in.)
B4	257 x 364 mm (10.1 x 14.3 in.)
B5 (JIS or Japanese Industrial Standards)	182 x 257 mm (7.2 x 10.1 in.)
Ledger	432 x 279 mm (17 x 11 in.)
Letter	216 x 279 mm (8.5 x 11 in.)
Legal	216 x 356 mm (8.5 x 14 in.)
Folio	216 x 330 mm (8.5 x 13 in.)
Oficio	216 x 340 mm (8.5 x 13.4 in.)
Executive	184 x 267 mm (7.25 x 10.5 in.)
Statement SEF	140 x 216 mm (5.5 x 8.5 in.)

Supported Custom Paper Sizes for Automatic 2-Sided Printing

Source	Media Types	Sizes	Weight
Tray 1 or Tray 2	Plain, Lightweight, Heavyweight, Bond, Thin Cardstock, Recycled, Archive, Hole-Punched, Pre-Printed, Letterhead	A4, Letter, Legal, Executive, Folio, Oficio, JIS B5, A5 SEF, Ledger, A3, B4	60–140 g/m ² (16 lb. Bond to 100 lb. Text)
Bypass tray	Plain, Lightweight, Heavyweight, Bond, Thin Cardstock, Pre-Printed, Recycled, Archive	A4, Letter, Legal, Executive, Folio, Oficio, JIS B5, A5 SEF, Statement SEF, Ledger, A3, B4	60–140 g/m ² (16 lb. Bond to 100 lb. Text)
	Custom	Minimum: 130 x 182 mm (5.1 x 7.2 in.) Maximum: 297 x 432 mm (11.7 x 17 in.)	

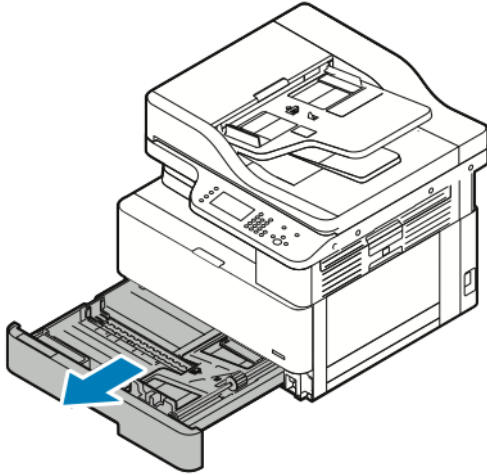
Loading Paper

Loading Paper in Tray 1

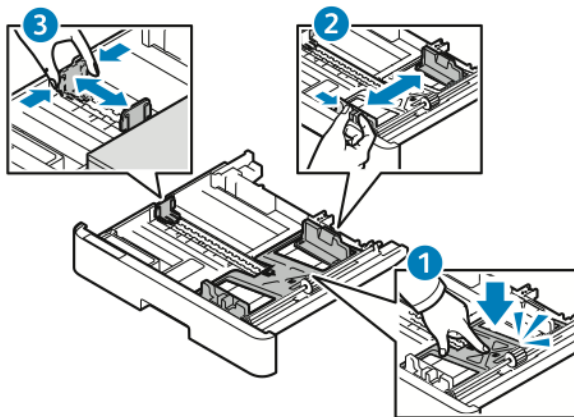
Tray 1 holds a maximum of 250 sheets.

To load paper in Tray 1:

1. Pull out the tray and remove it from the printer.

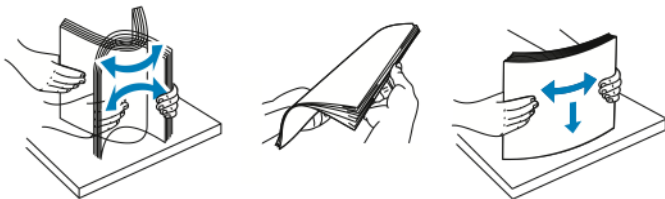


2. Move out the length and width paper guides
 - a. Pinch the paper guide levers on both guides.
 - b. Slide out the paper guides until they stop.
 - c. Release the paper guide levers.

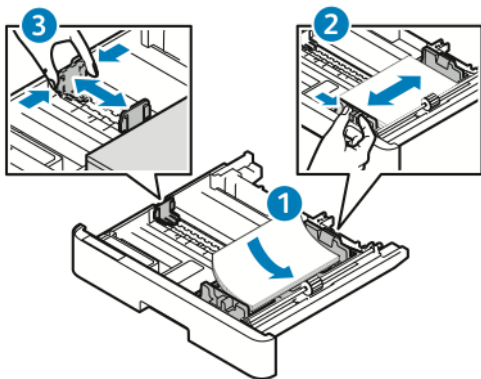


Paper and Media

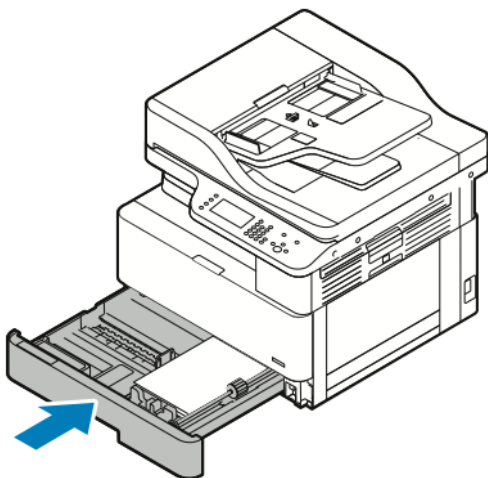
- Flex the sheets back and forth and fan them, then align the edges of the stack on a level surface. This procedure separates any sheets that are stuck together and reduces the possibility of jams.



- Load the paper into the tray, then adjust the paper guides in the tray to match the size of the paper.



- Load paper into the tray with the print side face down.
 - Load hole-punched paper with the holes toward the right side of the printer.
 - Do not load paper above the maximum fill line. Overfilling can cause paper jams.
- Slide the tray into the printer, then push the tray in all the way.



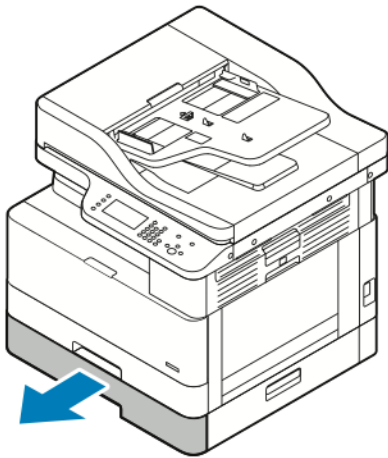
- When the control panel Paper Settings screen prompts you, verify the paper size, type, and color.
- Change the paper size, type, or color, if necessary.
- Touch **Confirm**.

Loading Paper in the Optional Tray 2

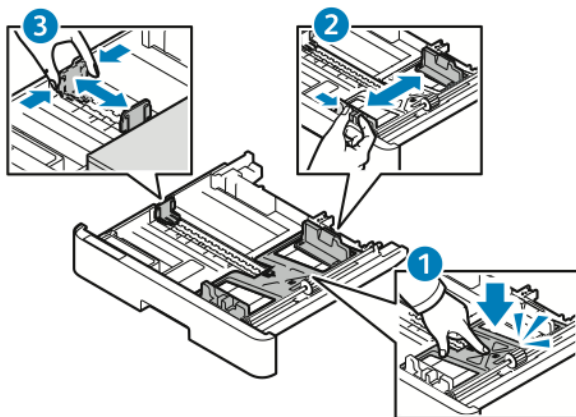
Tray 2 is an optional tray that holds a maximum of 250 sheets.

To load paper in Tray 2:

1. To remove the printer tray, grasp the notched area at the bottom of the tray, then pull the tray toward you.



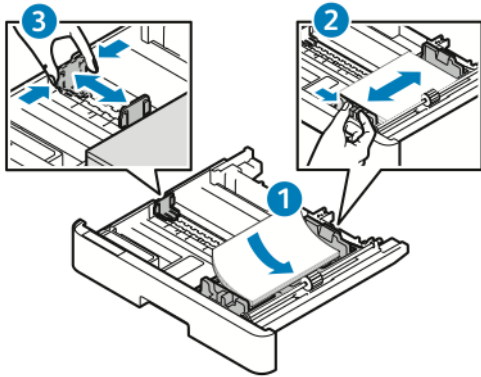
2. Move out the length and width paper guides
 - a. Pinch the paper guide levers on both guides.
 - b. Slide out the paper guides until they stop.
 - c. Release the paper guide levers.



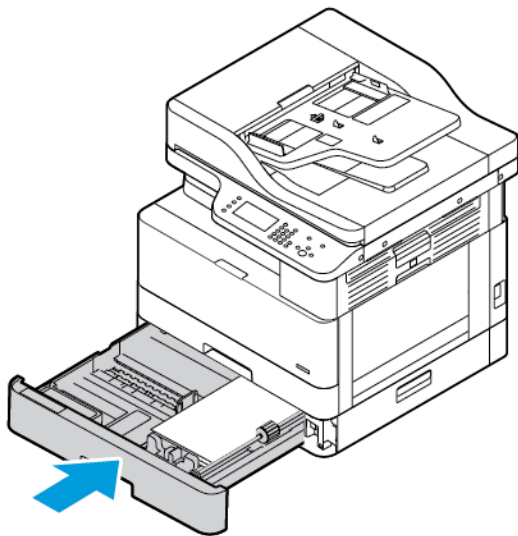
3. Flex the sheets back and forth and fan them, then align the edges of the stack on a level surface. This procedure separates any sheets that are stuck together and reduces the possibility of jams.



4. Load the paper into the tray, then adjust the paper guides in the tray to match the size of the paper.



- Load paper into the tray with the print side face down.
 - Load hole-punched paper with the holes toward the right side of the printer.
 - Do not load paper above the maximum fill line. Overfilling can cause paper jams.
5. Slide the tray into the printer, then push the tray in all the way.



6. When the control panel Paper Settings screen prompts you, verify the paper size, type, and color.
7. Change the paper size, type or color, if necessary.
8. Touch **Confirm**.

Loading Paper in the Bypass Tray

The bypass tray holds a maximum of 100 sheets.

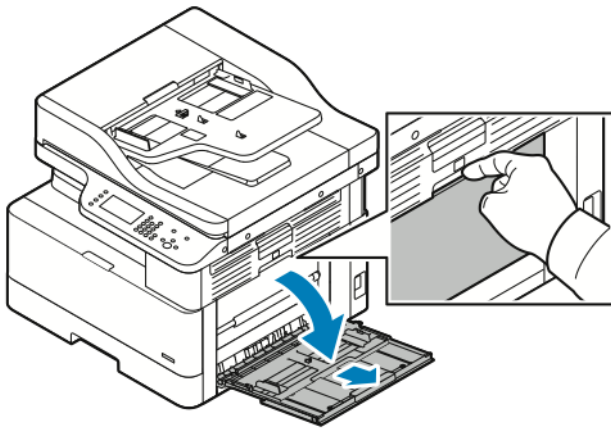
To load paper in the bypass tray:

1. Open the bypass tray.

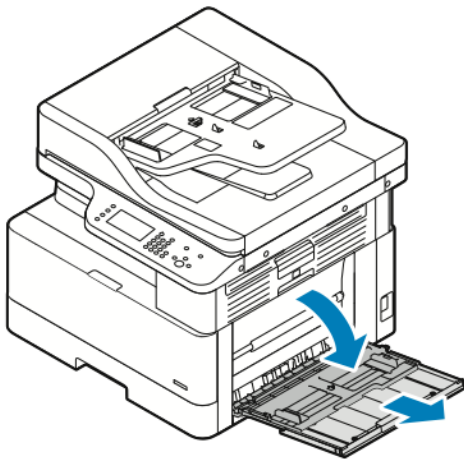


Note: If the bypass tray is open and loaded with paper, remove any paper that is a different size or type.

- a. To open the bypass tray, press the release lever.

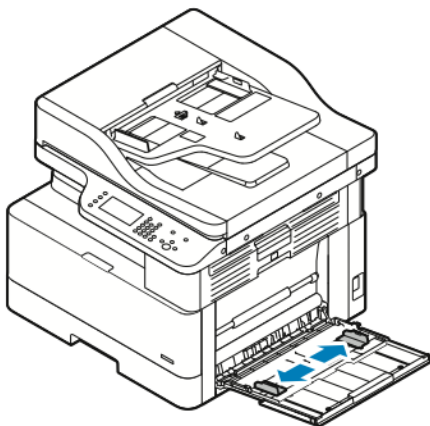


- b. Fully extend the bypass tray.



2. Move out the length and width paper guides, then press down the metal plate near the feed area.

 **Note:** The metal plate is part of the tray near the feeder roll.



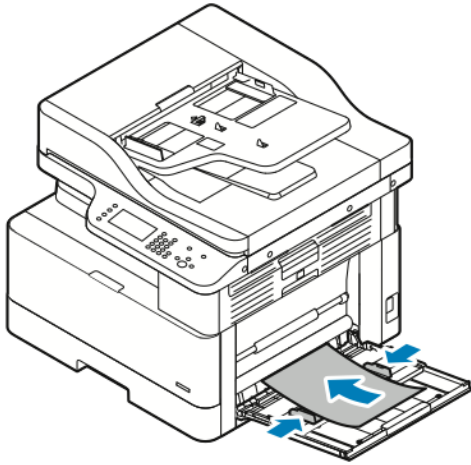
Paper and Media


3. Flex the sheets back and forth and fan them, then align the edges of the stack on a level surface. This procedure separates any sheets that are stuck together and reduces the possibility of jams.



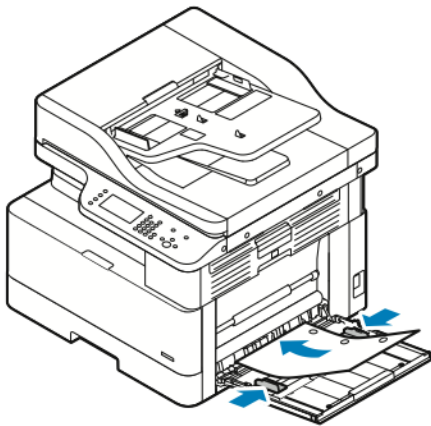
Note: To avoid jams and misfeeds, do not remove paper from the packaging until you are ready to use it.

4. Load the paper in the tray, then adjust the width guides until they touch the edges of the paper.




 **Note:** Do not load paper above the maximum fill line. Overfilling can cause paper jams.

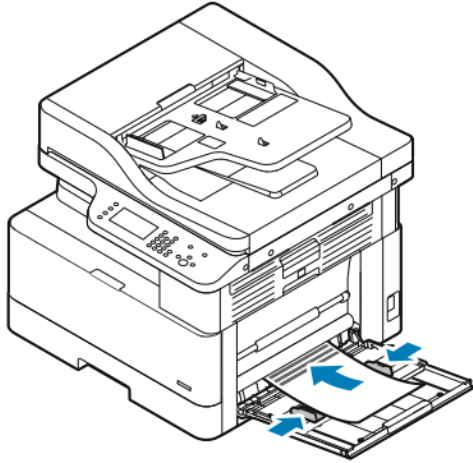
- Load hole-punched paper with the holes toward the back of the printer.



- To load letterhead or pre-printed paper, place the letterhead face down with the top edge of the paper entering the printer first.

 **Note:** These instructions for loading the paper apply to 1-sided and 2-sided printing.

Paper and Media



5. When the control panel Paper Settings screen prompts you, verify the paper size, type, and color.
6. Change the paper size, type or color, if necessary.
7. Touch **Confirm**.


Maintenance


This chapter contains:


- [Cleaning the Printer](#) 124
- [Ordering Supplies](#)..... 127
- [Moving the Printer](#) 132
- [Viewing Billing Meter Information](#)..... 133


Cleaning the Printer


General Precautions

 **Caution:** When cleaning your printer, do not use organic or strong chemical solvents or aerosol cleaners. Do not pour fluids directly into any area. Use supplies and cleaning materials only as directed in this documentation.

 **WARNING:** Keep all cleaning materials out of the reach of children.

 **WARNING:** Do not use pressurized spray cleaning aids on or in the printer. Some pressurized sprays contain explosive mixtures and are not suitable for use in electrical applications. Use of pressurized spray cleaners increases the risk of fire and explosion.


 **Caution:** Do not remove the covers or guards that are fastened with screws. You cannot maintain or service any parts that are behind these covers and guards. Do not attempt any maintenance procedure that is not described in the documentation supplied with your printer.

 **WARNING:** Internal parts of the printer can be hot. Use caution when doors and covers are open.

- Do not place anything on top of the printer.
- Do not open covers and doors during printing.
- Do not tilt the printer while it is in use.
- Do not touch the electrical contacts or gears. Doing so could damage the printer and cause the print quality to deteriorate.
- Ensure that any parts removed during cleaning are replaced before you plug in the printer.


Cleaning the Exterior

Clean the exterior of the printer once a month.

 **Caution:** Do not spray detergent directly on the printer. Liquid detergent could enter the printer through a gap and cause problems. Never use cleaning agents other than water or mild detergent.

To clean the printer exterior:

1. Slightly dampen a soft, lint-free cloth with water.
2. Wipe the paper tray, output tray, control panel, and other exterior areas of the printer.
3. After cleaning, wipe with a dry, lint-free cloth.

 **Note:** For stubborn stains, apply a small amount of mild detergent to the cloth and gently wipe off the stain.

Cleaning the Scanner

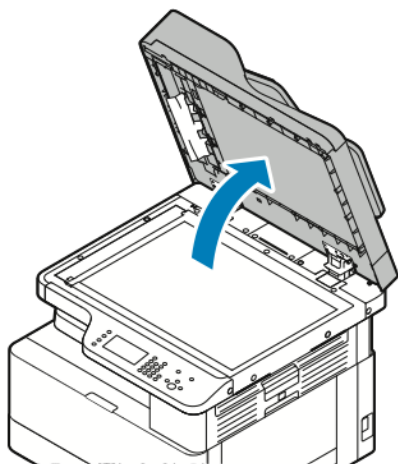
Clean the scanner once a month, when anything is spilled, or when debris or dust collects on any of the surfaces. To ensure the best possible copies and scans, keep the feed rollers clean.

Cleaning the Document Glass

For best results when scanning and copying documents, keep the document glass as clean as possible.

To clean the document glass:

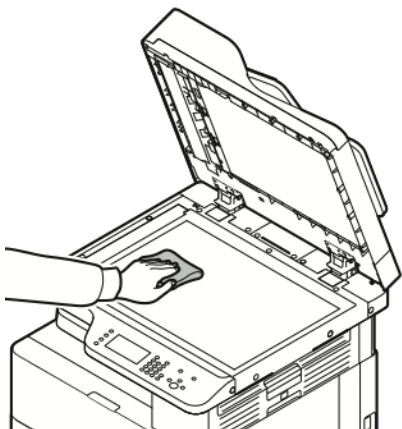
1. Slightly dampen a soft, lint-free cloth with water.
2. Remove any paper from the document feeder.
3. Open the document cover.



4. Wipe the surface of the document glass until it is clean and dry.



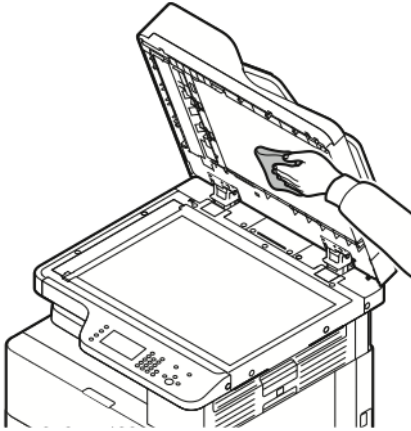
Note: For best results, to remove marks and streaks, use a standard glass cleaner.



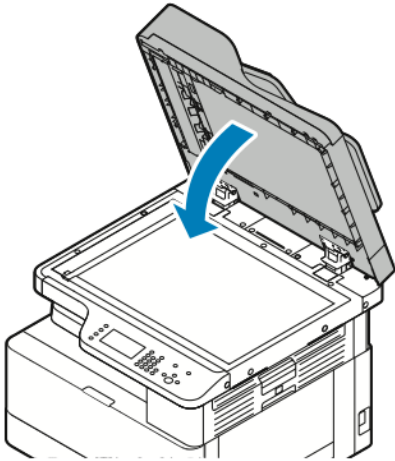
5. Wipe the Constant Velocity Transport (CVT) glass until there is no debris, and the glass is clean and dry.
The CVT glass is the long narrow strip to the left of the document glass.

Maintenance

6. Wipe the white underside of the document cover until it is clean and dry.



7. Close the document cover.




Ordering Supplies

When to Order Supplies

A warning appears on the control panel when the Toner Cartridge or the Drum Cartridge are near replacement time. Verify that you have replacement cartridges available at your workplace.

To avoid interruptions to your printing, it is important to order these items when the messages first appear on the control panel. An error message appears on the control panel when the Toner Cartridge or the Drum Cartridge requires replacement.

Order supplies from your local reseller or go to www.xerox.com/office/B1022_B1025supplies.

 **Caution:** Use of non-Xerox supplies is not recommended. The Xerox® Warranty, Service Agreement, and Total Satisfaction Guarantee do not cover damage, malfunction, or degradation of performance caused by use of non-Xerox supplies, or the use of Xerox® supplies not specified for this printer. The Total Satisfaction Guarantee is available in the United States and Canada. Coverage could vary outside these areas. For details, contact your Xerox® representative.

Viewing Printer Supply Status

You can check the status of your printer supplies at any time using Xerox® CentreWare Internet Services or the printer control panel.

 **Note:** To view printer supply status using Xerox® CentreWare® Internet Services, refer to the *System Administrator Guide* at www.xerox.com/office/B1022_B1025docs.

To view printer supply status:


1. At the printer control panel, press the **Machine Status** button.
2. Touch the **Supplies** option. A listing of supplies status appears.

Consumables

Consumables are printer supplies that deplete during the operation of the printer. The consumable supplies for this printer are the genuine Xerox® Black Toner Cartridge and the Xerox® Drum Cartridge.


 **Note:**

- When you replace a consumable, refer to the instructions included with the consumable supply.
- To ensure that print quality, the toner cartridge and drum cartridge are designed to cease functioning at a predetermined point.

 **Caution:** Use of non-Xerox supplies is not recommended. Use of toner other than genuine Xerox® Toner can affect print quality and printer reliability. Xerox® Toner is the only toner designed and manufactured under strict quality controls by Xerox® for use with this specific printer.


Routine Maintenance Items

Routine maintenance items are printer parts that have a limited life and require periodic replacement. Replacements can be parts or kits. Routine maintenance items are typically customer replaceable.

 **Note:** Each routine maintenance item includes installation instructions.

Routine maintenance items for this printer include the following:

- Standard Capacity Toner Cartridge
- Drum Cartridge

 **Note:** Not all options listed are supported on all printers. Some options apply only to specific printer models or configurations.

Toner Cartridges

General Precautions for the Toner Cartridge

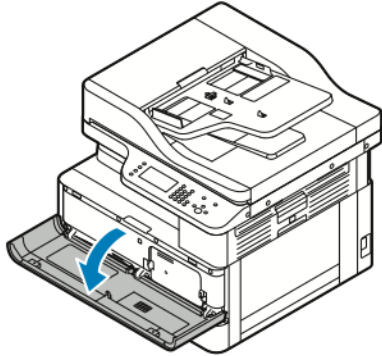
 **WARNING:**

- When you replace a toner cartridge, be careful not to spill the toner. If any toner spills, avoid contact with clothes, skin, eyes, and mouth. Do not inhale the toner dust.
- Keep toner cartridges out of the reach of children. If a child accidentally swallows toner, have the child spit out the toner, and rinse the mouth with water. Consult a physician immediately.
- Use a damp cloth to wipe off spilled toner. Never use a vacuum cleaner to remove spills. Electric sparks inside the vacuum cleaner can cause a fire or explosion. If you spill a large volume of toner, contact your local Xerox® representative.
- Never throw a toner cartridge into an open flame. Remaining toner in the cartridge can catch fire and cause burn injuries or an explosion.

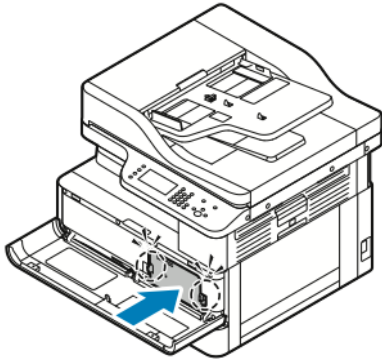
Replacing a Toner Cartridge

When a toner cartridge is almost empty, the control panel displays a toner-low message. When a toner cartridge is empty, the printer stops and displays a message on the control panel.

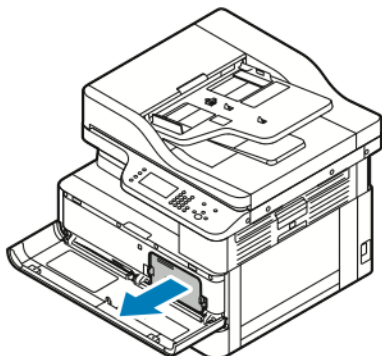
1. To open the front of the printer, pull on both sides of the front cover.



2. To release the toner cartridge, push the clips on both sides of the toner cartridge toward each other.

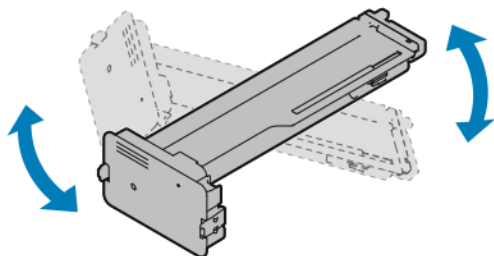



3. Pull the cartridge straight out toward you.



4. Depending upon the warning message that appears on the control panel, complete one of the following actions:
 - Replace the toner cartridge with a new cartridge.
 - Shake the toner cartridge five or six times to extend the life of the cartridge.

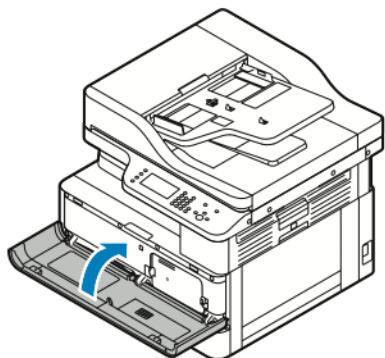
5~6



 **Caution:** To prevent spillage of the toner from causing property damage, shake the toner cartridge over a plastic sheet.

5. To close the printer, push the front cover up, until it clicks into place.

The printer automatically resets.





6. Resend your print job, as needed.

Drum Cartridges

General Precautions for the Drum Cartridge

 **Caution:** Do not expose the drum cartridge to direct sunlight or strong indoor fluorescent lighting. Do not touch or scratch the surface of the drum cartridge.

 **Caution:** Do not leave the printer covers and doors open for any length of time, especially in well-lighted places. Light exposure can damage the drum cartridge.

 **WARNING:** Never throw a drum cartridge into an open flame. The cartridge can catch fire and cause burn injuries or an explosion.

Recycling Supplies

For more information on the Xerox® supplies recycling program, go to www.xerox.com/gwa.

Moving the Printer

To move the printer:



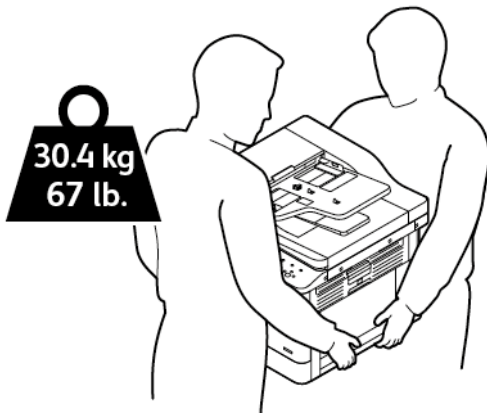
WARNING:

- To prevent electric shock, never touch the power plug with wet hands.
- When removing the power cord, ensure that you pull the plug and not the cord. Pulling the cord can result in damage, which can lead to fire or electric shock.

1. Power off the printer.
2. Disconnect the power cord and other cables from the back of the printer. For details, refer to [Powering the Printer On or Off](#).
3. Remove any paper or other media from the output tray.
4. To prevent possible injury, use two people to lift and carry the printer.



Caution: When moving the printer between locations, do not tilt it more than 10 degrees to the front, back, left, or right. Tilting the printer more than 10 degrees can cause toner spillage and the printer to topple.



- Repack the printer and options using the original packing material and boxes or a Xerox Repackaging Kit. For a repackaging kit and instructions, go to www.xerox.com/office/B1022_B1025support.

- When moving the printer over a long distance, to prevent toner from spilling, remove the toner cartridge and drum cartridge.



Caution: Failure to repackage the printer properly for shipment can result in damage not covered by the Xerox® Warranty, Service Agreement, or Total Satisfaction Guarantee. The Xerox® Warranty, Service Agreement, or Total Satisfaction Guarantee do not cover damage to the printer caused by improper moving.

5. After moving the printer:
 - a. Reinstall any parts that you removed.
 - b. Reconnect the printer to the cables and power cord.
 - c. Plug in and power on the printer.

Viewing Billing Meter Information

Billing meter information appears on the Billing Information screen. The impression counts onscreen are used for billing.

To view billing and usage information:

1. At the printer control panel, press the **Machine Status** button.
2. To view basic impression counts, touch the **Billing Information** option.



Note: A page is one side of a sheet of paper. A sheet that has printing on two sides counts as two impressions.

The serial number of the printer, number of black impressions, number of total impressions, and the Usage Counters option appear.

3. To view and update all usage counters, touch the **Usage Counters** option.
4. To select and view any of the counters, use the menu, then select a counter.
 - Impression Counters
 - Sheet Counters
 - Images Sent Counters
 - Fax Impression Counters
 - All Usage Counters
5. To update counter data to current usage, touch the **Update Counters** option.

Troubleshooting

This chapter contains:


- [General Troubleshooting](#) 136
- [Paper Jams](#) 141
- [Print-Quality Problems](#)..... 160
- [Copy and Scan Problems](#) 164
- [Fax Problems](#)..... 165
- [Getting Help](#) 168

General Troubleshooting

This section contains procedures to help you locate and resolve problems. You can resolve some problems by simply restarting the printer.


Restarting the Printer

To restart the printer, refer to [Powering the Printer On or Off](#).

 **Note:** If restarting the printer does not resolve the problem, refer to [Printer Fails to Power On](#) and [Printer Resets or Powers Off Frequently](#).

Printer Fails to Power On

Probable Causes	Solutions
The printer is not powered on.	Power on the printer. For details, refer to Powering the Printer On or Off .
The power cord is not plugged into the outlet correctly.	Verify that the printer is powered down, then plug in the power cord securely into the outlet. For details, refer to Powering the Printer On or Off .
Something is wrong with the outlet connected to the printer.	<ul style="list-style-type: none"> • Plug in a different electrical appliance into the outlet, then verify that the appliance operates properly. • Try a different outlet.
The printer is connected to an outlet with a voltage or frequency that does not match the printer specifications.	Use a power source within the specifications for the printer. For details, refer to Powering the Printer On or Off .

 **Caution:** Plug in the three-wire cord with grounding prong directly into a grounded AC outlet.

Printer Resets or Powers Off Frequently


Probable Causes	Solutions
The power cord is not plugged into the outlet correctly.	Power off the printer. Before powering on the printer, confirm that the power cord is plugged in correctly to the printer and the outlet.
A system error occurred.	Power off the printer, then power it on again. To print the Error History report, at the printer control panel, press the Self Help (?) button. Scroll to and select Error Messages , then touch Print . If the error persists, contact your Xerox® representative.

Probable Causes	Solutions
The printer is connected to an uninterruptible power supply.	Power off the printer, then connect the power cord to a suitable outlet.
The printer is connected to a power strip shared with other high-power devices.	Plug the printer directly into the outlet or into a power strip that is not shared with other high-power devices.

Document Prints from the Wrong Tray

Probable Causes	Solutions
An application and print driver have conflicting tray selections.	<ol style="list-style-type: none"> 1 In the print driver, ensure that you have selected the correct tray. 2 Access the application from which you are printing, then go to the page setup or printer settings. 3 Set the paper source to match the tray selected in the print driver, or set the paper source to Automatically Select.

Automatic 2-Sided Printing Problems

Probable Causes	Solutions
Unsupported or incorrect paper.	<ul style="list-style-type: none"> • Ensure that you are using a supported paper size and weight for 2-sided printing. Do not use 2-sided printing for envelopes and labels.
Incorrect setting.	<p>In the print driver, for Printer Settings, select Print on Both Sides.</p> <p> Note: The setting varies depending on the application from which you are printing.</p>

Paper Tray Fails to Close

Probable Cause	Solution
Debris or an object is blocking the paper tray.	Remove the debris or object that is blocking the paper tray.

Printing Takes Too Long


Probable Causes	Solutions
The printer is set to a slower printing mode. For example, the printer is set to print on Heavyweight paper.	It takes more time to print on certain types of special paper. Ensure that the paper type is set properly in the print driver and at the printer control panel. For details, refer to Print Speed .
The printer is in power-saver mode.	It takes time for printing to start when the printer is exiting power-saver mode.
The way the printer was installed on the network.	Determine if a print spooler or a computer sharing the printer is buffering all print jobs, then spooling the jobs to the printer. Spooling can slow print speeds. To test the speed of the printer, print information pages, such as the Office Demo Page. If the page prints at the rated speed of the printer, check for a network or printer installation issue. For help, contact the system administrator.
The job is complex.	Wait for the document to finish printing.
The print-quality mode in the print driver is set to Enhanced.	In the print driver, change the print-quality mode to Standard .

Print Job Fails to Print

Probable Causes	Solutions
The printer has an error.	<ul style="list-style-type: none"> To clear the error, power off the printer, then power it on again. If the error persists, contact your Xerox® representative.
The printer is out of paper.	<p>Load paper into the tray.</p> <p>For details, refer to Loading Paper.</p>
A toner cartridge is empty.	<p>Replace the empty toner cartridge.</p> <p>For details, refer to Toner Cartridges.</p>
The power cord is not plugged into the outlet correctly.	<p>Power off the printer, then confirm that the power cord is plugged in correctly to the printer and the outlet. Power on the printer. For details, refer to Powering the Printer On or Off. If the error persists, contact your Xerox® representative.</p>

Probable Causes	Solutions
The printer is busy.	<ul style="list-style-type: none"> • Determine if a previous print job is the problem. On your computer, to delete all print jobs in the print queue, you can use the Printer Properties feature. • Load paper in the tray. • At the printer control panel, press the Job Status button. If the print job is not in the Active Jobs or Completed Jobs list, check the Ethernet connection between the printer and computer. Power off the printer, then power it on again. • At the printer control panel, press the Job Status button. If the print job is not in the Active Jobs or Completed Jobs list, check the USB connection between the printer and computer. Power off the printer, then power it on again.
The printer cable is disconnected.	<ul style="list-style-type: none"> • At the printer control panel, press the Job Status button. If the print job is not in the Active Jobs or Completed Jobs list, check the Ethernet connection between the printer and computer. Power off the printer, then power it on again. • At the printer control panel, press the Job Status button. If the print job is not in the Active Jobs or Completed Jobs list, check the USB connection between the printer and computer. Power off the printer, then power it on again.

Printer Makes Unusual Noises

Probable Causes	Solutions
There is an obstruction or debris inside the printer.	<ol style="list-style-type: none"> 1 Power off the printer. 2 Remove the obstruction or debris. <p> Note: If you cannot remove the obstruction or debris, contact your Xerox® representative.</p>

Condensation has Formed Inside the Printer

Moisture can condense inside a printer when the humidity is above 85 % or when a cold printer is in a warm room. Condensation can form in a printer after it has been sitting in a cold room that is heated quickly.

Probable Causes	Solutions
The printer has been sitting in a cold room.	<ul style="list-style-type: none"> • Before operating the printer, allow it to acclimate for several hours. • Allow the printer to operate for several hours at room temperature.
The relative humidity of the room is too high.	<ul style="list-style-type: none"> • Reduce the humidity in the room. • Move the printer to a location where the temperature and relative humidity are within the operating specifications. For details, refer to Relative Humidity.

Toner Cartridge Status Messages

When a toner cartridge approaches the end of usable life, the control panel displays a toner-low message. When a toner cartridge is empty, the printer stops and displays a message on the control panel.

 **Note:** Each new toner cartridge includes installation instructions.

Printer Status Message	Cause and Solution
Low Toner Status: Ensure that a new Toner Cartridge is available.	The toner cartridge is low. Order a new toner cartridge.
Replace the Toner Cartridge.	The toner cartridge is empty. Open the front cover, then replace the toner cartridge.

Drum Cartridge Status Messages

When a drum cartridge approaches the end of usable life, the control panel displays a drum cartridge-low message. When a drum cartridge is worn, the printer displays an end-of-life message, but the printer continues to print.

 **Note:** Each new drum cartridge includes installation instructions.

Printer Status Message	Cause and Solution
Drum cartridge near end of life. Ensure that a new drum cartridge is available.	The drum cartridge is nearing end of life. Order a new drum cartridge.
Drum cartridge is worn. Replace drum cartridge.	The drum cartridge requires replacement. Open the front cover and side cover, then replace the drum cartridge.

Paper Jams

Minimizing Paper Jams

The printer is designed to function with minimal paper jams using Xerox® supported paper. Other paper types can cause jams. If supported paper is jamming frequently in one area, clean that area of the paper path.

The following can cause paper jams:

- Selecting the incorrect paper type in the print driver.
- Using damaged paper.
- Using unsupported paper.
- Loading paper incorrectly.
- Overfilling the tray.
- Adjusting the paper guides improperly.

Most paper jams can be prevented by following a simple set of rules:

- Use only supported paper. For details, refer to [Supported Paper](#).
- Follow proper paper handling and loading techniques.
- Always use clean, undamaged paper.
- Avoid paper that is curled, torn, moist, creased, or folded.
- To separate the sheets before loading into the tray, fan the paper.
- Observe the paper tray fill line. Do not overfill the paper tray.
- After you insert paper in a tray, adjust the paper guides in the tray. A paper guide that is not properly adjusted can cause poor print quality, misfeeds, skewed prints, and printer damage.
- After you load paper in a tray, at the printer control panel, select the correct paper type and size.
- In the print driver, select the correct paper type and size for the print job.
- Store paper in a dry location.
- Use only Xerox® paper designed for the printer.

Avoid the following:

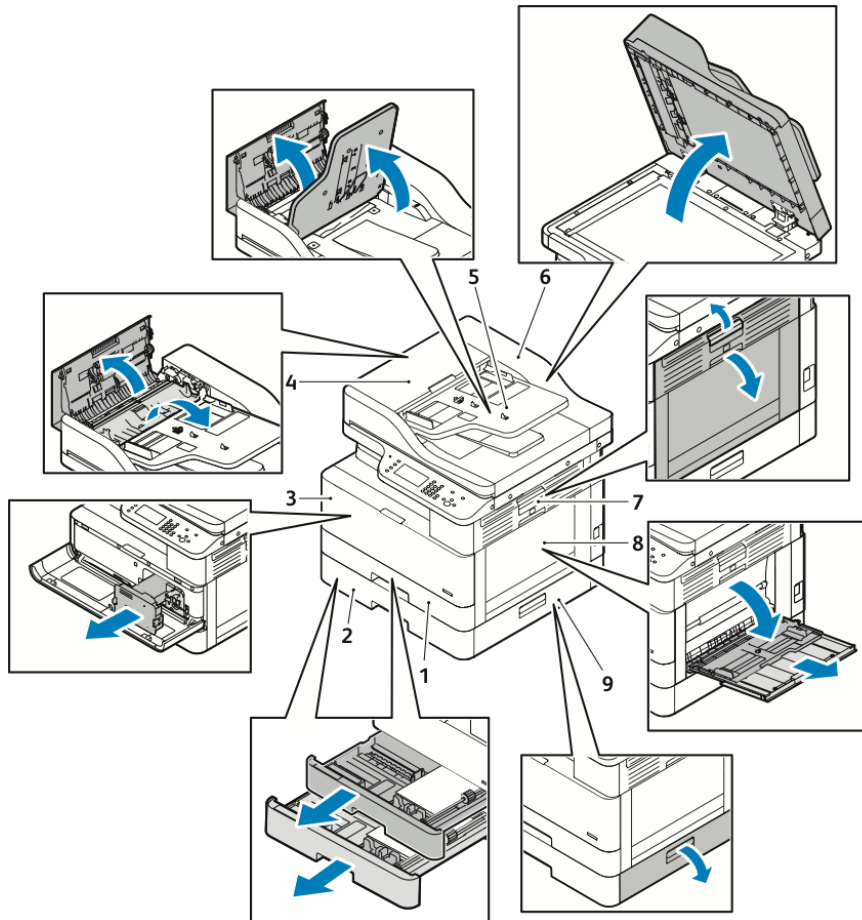
- Polyester-coated paper that is designed specially for inkjet printers.
- Paper that is folded, wrinkled, or excessively curled.
- Loading more than one type, size, or weight of paper in a tray at the same time.
- Overfilling the trays.
- Allowing the output tray to overfill.

Locating Paper Jams

⚠ WARNING: To avoid injury, never touch a labeled area on or near the heat roller in the fuser. If a sheet of paper is wrapped around the heat roller, do not try to remove it immediately. Power off the printer immediately, and wait 30 minutes for the fuser to cool. After the printer cools, try to remove the jammed paper. If the error persists, contact your Xerox® representative.

⚠ Caution: Do not attempt to clear any paper jams using tools or instruments. Using tools or instruments can damage the printer permanently.

The following illustration shows where paper jams can occur along the paper path:

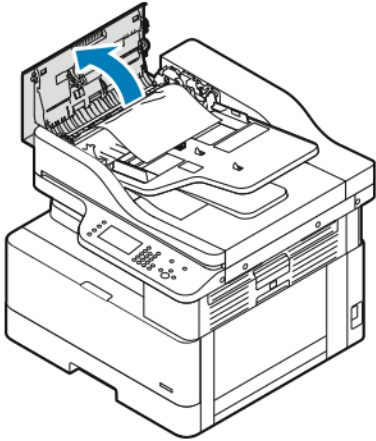


- | | |
|--|---------------------------------|
| 1. Standard Tray 1 | 6. Document Feeder Inside Cover |
| 2. Optional Tray 2 | 7. Side Cover |
| 3. Toner Cartridge and Drum Cartridge Area | 8. Bypass Tray |
| 4. Document Feeder Top Cover | 9. Optional Tray 2 Side Cover |
| 5. Document Feeder Input Tray | |

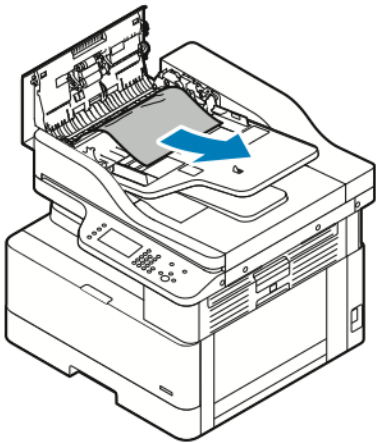
Clearing Paper Jams

Clearing Paper Jams from the Document Feeder

1. Remove any documents from the document feeder.
2. Open the document feeder top cover.

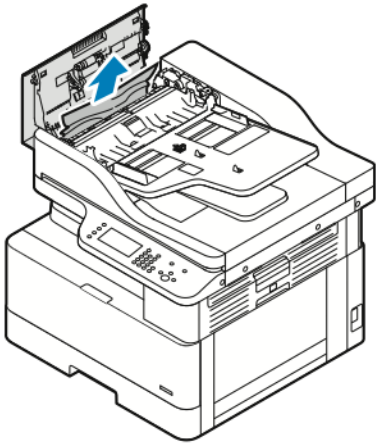


3. If the paper is jammed in the exit of the document feeder, gently pull out the paper toward you.

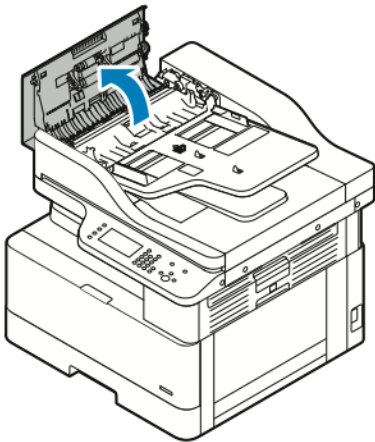


Troubleshooting

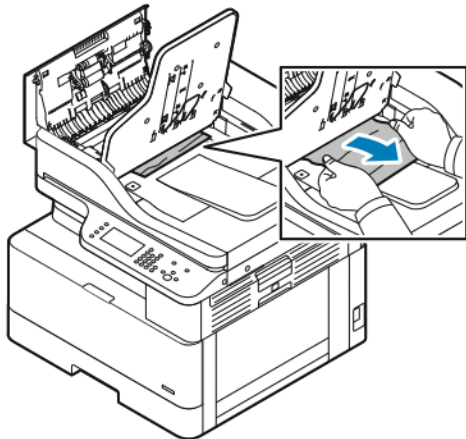
4. If the jammed paper is not caught in the entry of the document feeder, gently pull the paper upward.



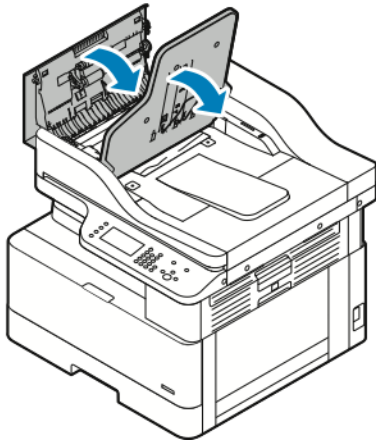
5. If you cannot see the jammed paper, perform the following steps.
 - a. Open the top cover, then lift the document feeder input tray.



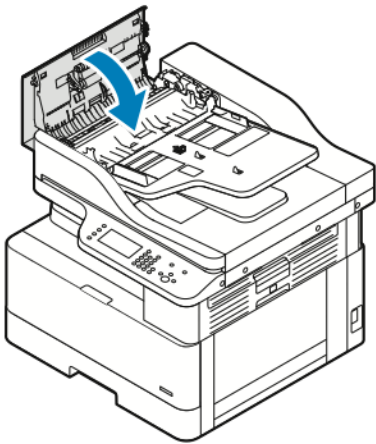
- b. Gently pull out the jammed paper toward you.



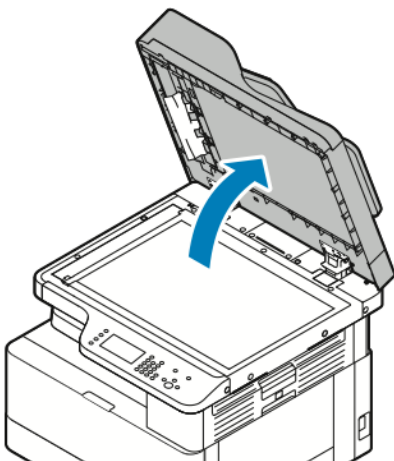
- c. Lower the document tray.



- 6. To close the top cover of the document feeder, press down the top cover.

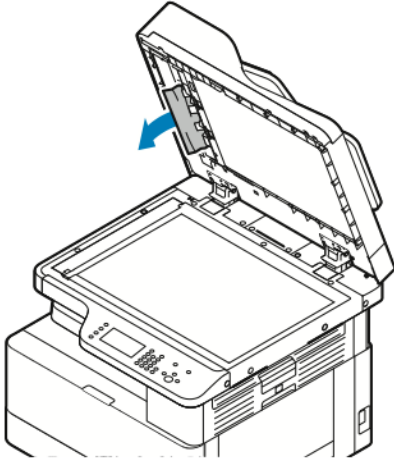


- 7. To remove jammed paper from the document feeder inside cover, complete the following steps.
 - a. Lift the document feeder.

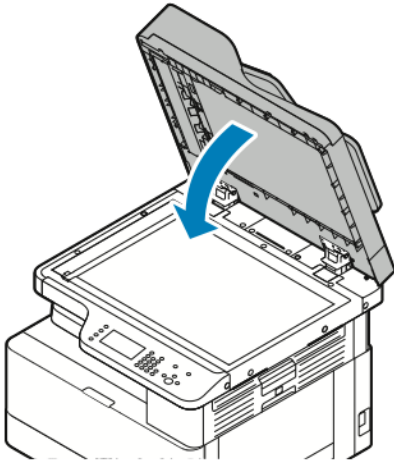


Troubleshooting

- b. Gently pull out any jammed paper.




- c. Close the document feeder.



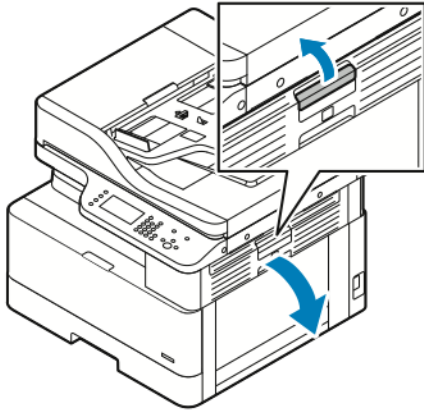
8. Remove any jammed paper from the document feeder input tray.
9. Reload the documents in the document feeder input tray, then adjust the paper guides so that they touch the edges of the paper.

Clearing Paper Jams from Tray 1

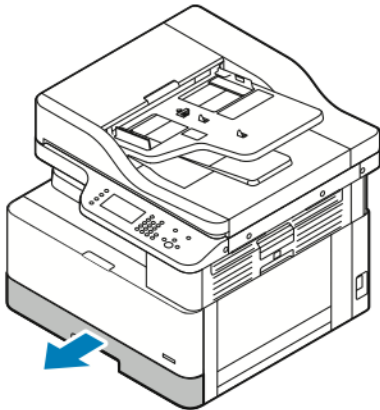
To resolve the error that appears on the control panel, clear all jammed paper from the paper path.

 **Note:** If you cannot clear the paper jam by following this procedure, refer to [Clearing Paper Jams from Inside the Printer](#).

1. To open the side cover of the printer, press the release lever.

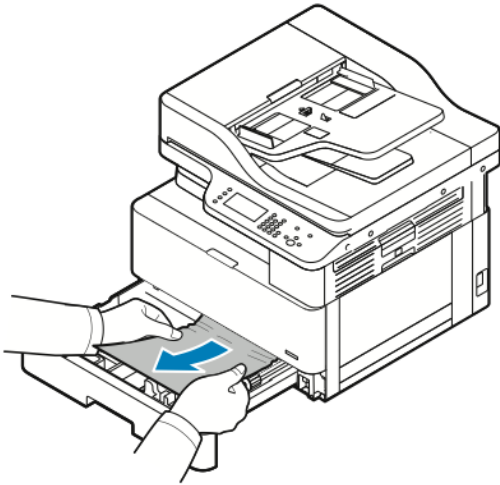


2. To remove jammed paper from the side of the printer, pull the jammed paper toward you.
3. To remove jammed paper from Tray 1, pull out the tray until it stops.

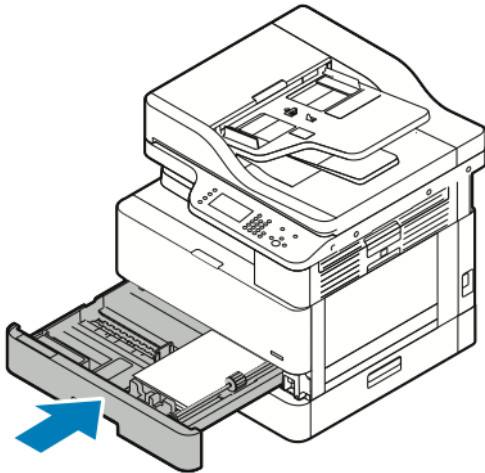


Troubleshooting

4. To remove jammed paper from Tray 1, gently pull the paper toward you.




5. To close the tray, push it in, toward the printer.



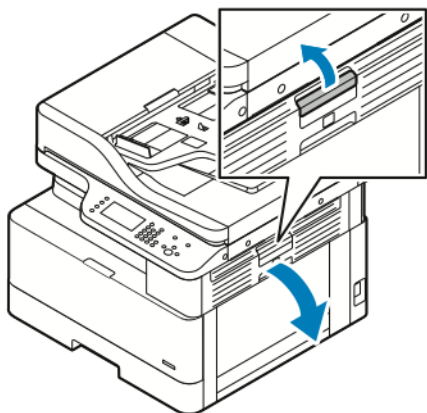
6. If the control panel prompts you, on the Paper Settings screen, verify the paper size, type, and color.
7. Touch **Confirm**.

Clearing Paper Jams from the Optional Tray 2

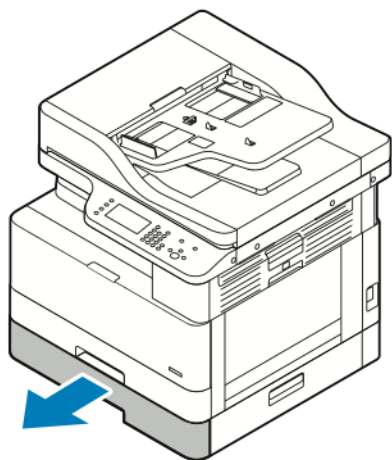
To resolve the error that appears on the control panel, clear all jammed paper from the paper path.

 **Note:** If the jammed paper does not move as you pull it, or if there is no jammed paper in the optional Tray 2 area, refer to [Clearing Paper Jams from Inside the Printer](#).

1. To open the side cover of the printer, press the release lever.

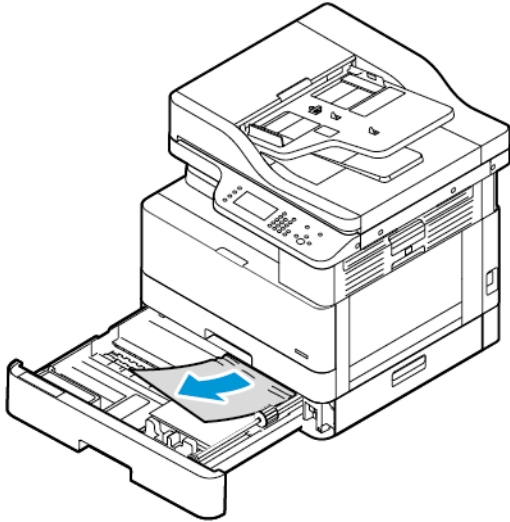


2. To remove jammed paper from the side of the printer, pull the jammed paper toward you.
3. To remove jammed paper from the optional Tray 2, pull out Tray 2 until it stops.

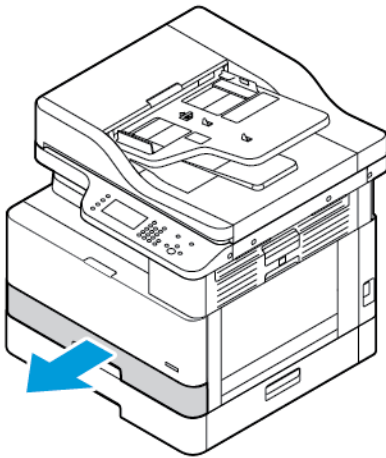


Troubleshooting

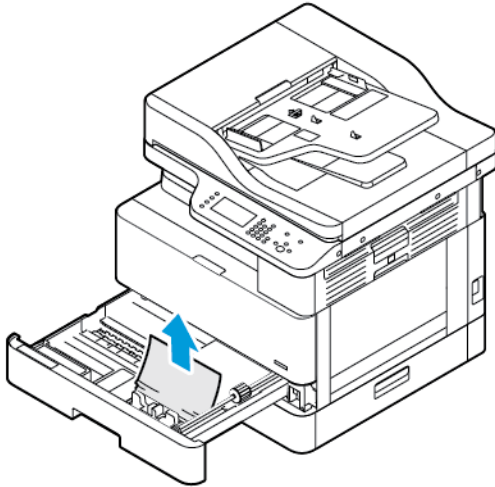
4. To remove jammed paper from the optional Tray 2, gently lift the paper and pull it toward you.



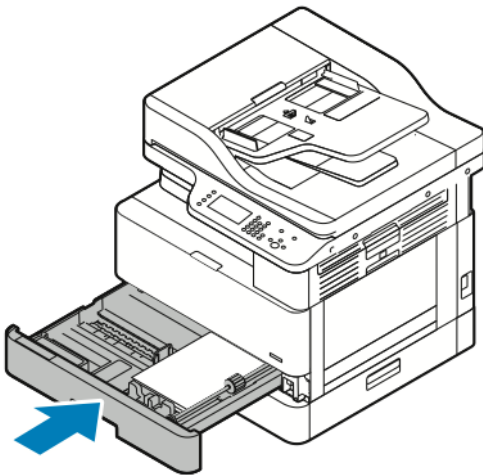
5. If the jammed paper does not move when you pull it, or if there is no jammed paper in the optional Tray 2 area, complete the following steps.
 - a. Pull out Tray 1.



- b. To remove jammed paper, gently pull up the paper.

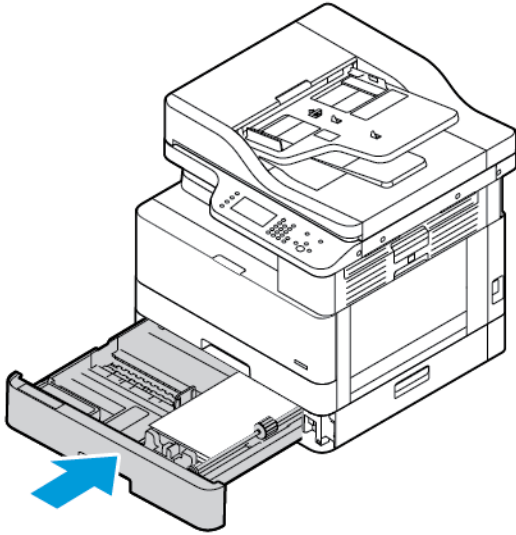


- c. Push in Tray 1.



Troubleshooting

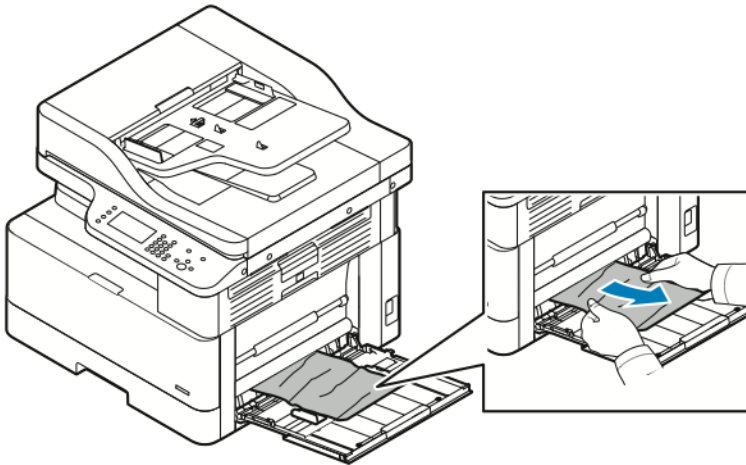
6. Push in the optional Tray 2.



7. Clear jammed paper from the optional Tray 2 side cover:
 - a. To open the Tray 2 side cover, pull the side cover lever.
 - b. To remove the jammed paper, gently pull the paper toward you.
8. If the control panel prompts you, in the Paper Settings screen, verify the paper size, type, and color.
9. Touch **Confirm**.

Clearing Paper Jams at the Bypass Tray

1. To remove jammed paper, pull the paper toward you.

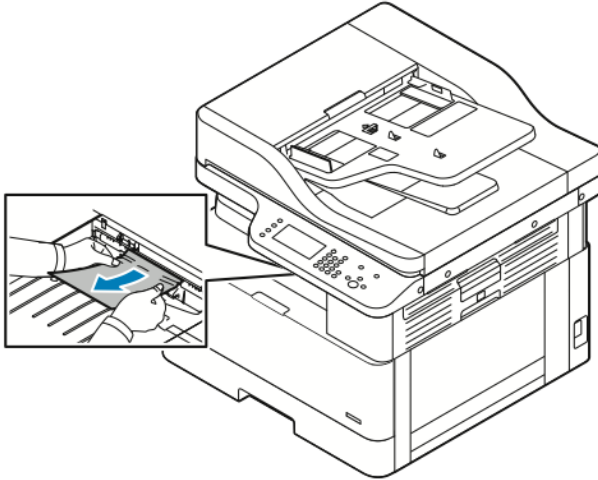


2. If the paper is torn, check inside the printer for pieces of paper, then gently remove them. If you cannot remove the paper fragments easily, contact your Xerox® representative.
3. When you reload the bypass tray, fan the paper, then ensure that all four corners align neatly.

4. If the control panel prompts you, on the Paper Settings screen, verify the paper size, type, and color.
5. Touch **Confirm**.

Clearing Paper Jams from the Output Tray

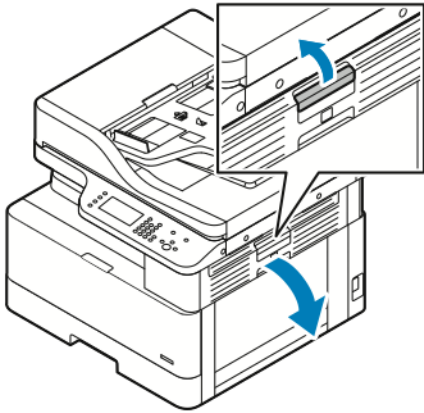
1. To clear jammed paper from the output tray area, gently pull the paper toward you.



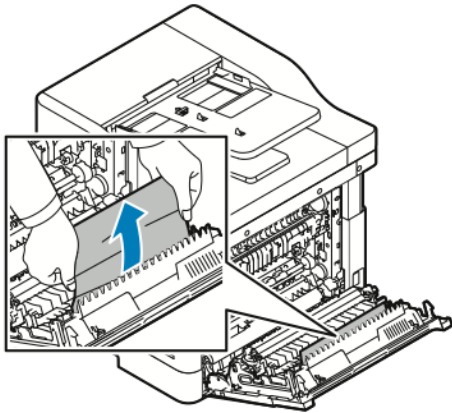
2. If the paper tears or does not move when you pull it, refer to [Clearing Paper Jams from Inside the Printer](#).
3. If necessary, to resume printing, follow any remaining instructions on the printer control panel.

Clearing Paper Jams from the Duplex Area

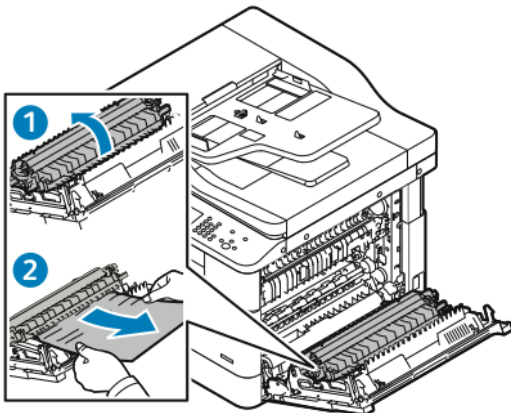
1. To open the side cover of the printer, press the release lever.



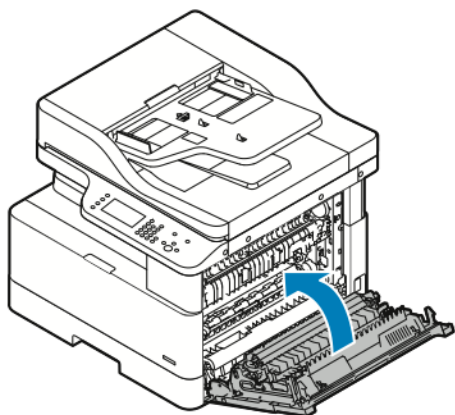
2. To remove jammed paper, gently pull up the paper.



3. If the paper is jammed in the roller, gently lift the roller, then pull the paper toward you.




4. After you remove all jammed paper, close the side cover.

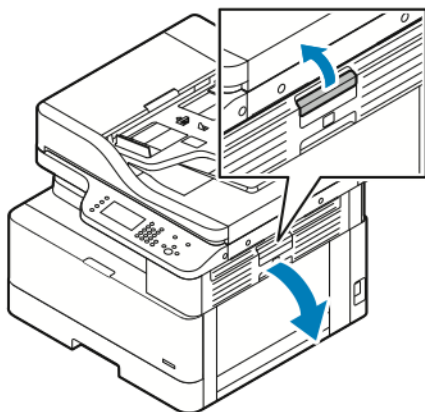


5. If the control panel prompts you, on the Paper Settings screen, verify the paper size, type, and color.
6. Touch **Confirm**.

Clearing Paper Jams from Inside the Printer

 **Note:** After following this procedure, if you still cannot remove the jammed paper from inside the printer, contact your Xerox® representative.

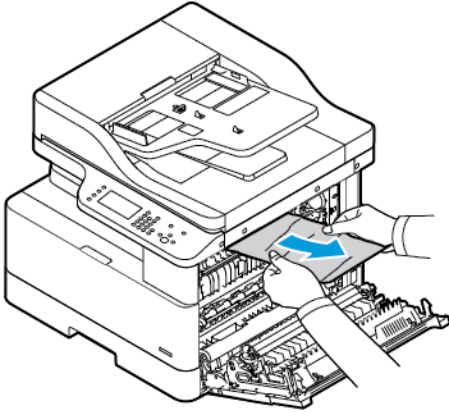
1. To open the side cover of the printer, press the release lever.



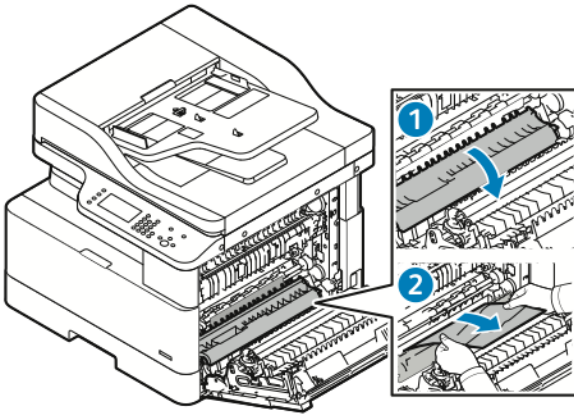
2. Locate the jammed paper.

Troubleshooting

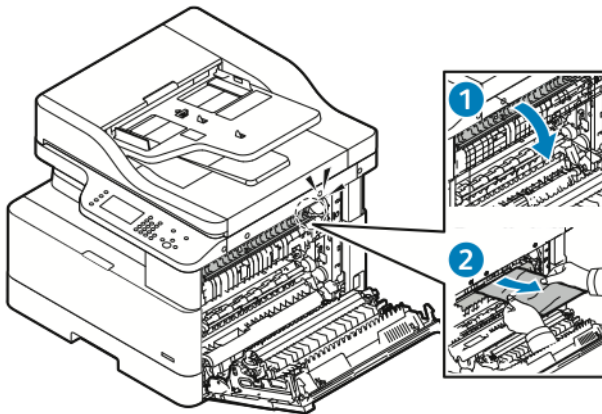
- a. If you can see the jammed paper, gently pull the paper toward you.



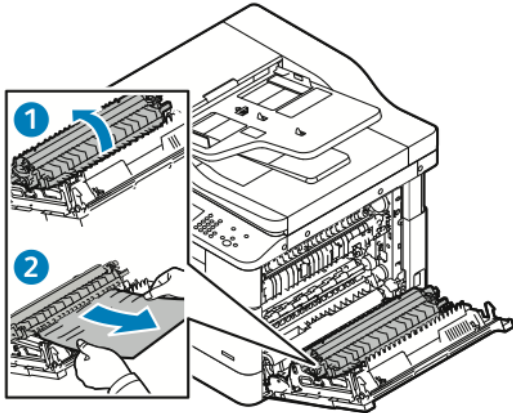
- b. If the paper is jammed near the drum cartridge, pull down the paper, then pull it toward you.



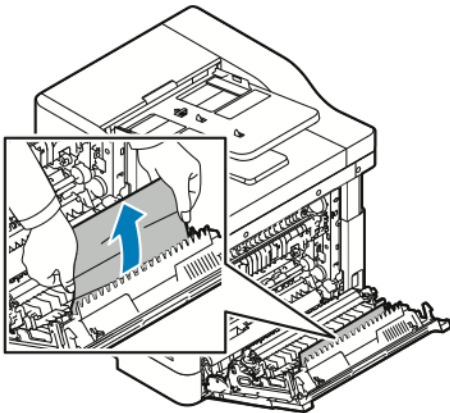
- c. If the paper is jammed in the top roller, pull down the fuser gate, then pull the paper toward you.




- d. If the paper is jammed in the transfer roller, gently lift the roller, then pull the paper toward you.

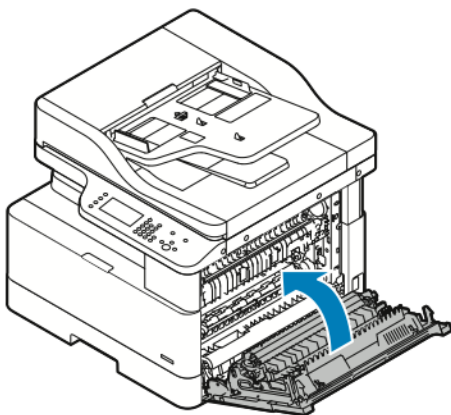


- e. If you cannot remove the jammed paper by pulling the paper toward you, gently pull up the paper.



 **Note:** If you still cannot remove the jammed paper, contact your Xerox® representative.

3. After you remove all jammed paper, close the side cover.



Troubleshooting

4. If the control panel prompts you, on the Paper Settings screen, verify the paper size, type, and color.
5. Touch **Confirm**.

Troubleshooting Paper Jams

Multiple Sheets Pulled Together

Probable Causes	Solutions
The paper tray is too full.	Remove some of the paper. Do not load paper above the fill line.
The edges of the paper are not even.	Remove the paper, align the edges, then reload the paper in the tray.
The paper is moist from humidity.	Remove the paper from the tray, then replace it with new, dry paper.
Too much static electricity is present.	Load new paper into the printer.
Using unsupported paper.	Use only Xerox-approved paper. For details, refer to Supported Paper .

Paper Misfeeds

Probable Causes	Solutions
The paper is not positioned correctly in the tray.	<ul style="list-style-type: none">• Remove the misfed paper, then reposition it in the tray.• Adjust the paper guides in the tray to match the size of the paper.
The paper tray is too full.	Remove some of the paper. Do not load paper above the fill line.
The paper guides are not adjusted correctly to the paper size.	Adjust the paper guides in the tray to match the size of the paper.
The tray contains warped or wrinkled paper.	Remove the paper, smooth it out, then reload it. If the paper misfeeds, do not use that paper.
The paper is moist from humidity.	Remove the moist paper, then replace it with new, dry paper.
Using paper of the wrong size, thickness, or type.	Use only Xerox-approved paper. For details, refer to Supported Paper .

Paper Jam Message Stays On

Probable Causes	Solutions
Some paper remains jammed in the printer.	Recheck the paper path. Ensure that you have removed all jammed paper.
One of the printer covers is open.	Check the covers on the printer. Close any cover that is open.


 **Note:** Check for any torn pieces of paper in the paper path, then remove the paper.


Jams During Automatic 2-Sided Printing

Probable Causes	Solutions
Using paper of the wrong size, thickness, or type.	<ul style="list-style-type: none"> Use only Xerox-approved paper. For automatic 2-sided printing, do not use reused paper, damaged paper, or paper heavier than 140 g/m².
Paper is loaded in the wrong tray.	Load paper into the correct tray. For details, refer to Supported Paper .
Tray is loaded with mixed paper.	Load the tray with only one type and size of paper.

Print-Quality Problems

Your printer is designed to produce consistently high-quality prints. If you observe print-quality problems, use the information in this section to troubleshoot the problem. For more information, go to www.xerox.com/office/B1022_B1025support.

 **Caution:** The Xerox® Warranty, Service Agreement, or Xerox® Total Satisfaction Guarantee does not cover damage caused by using unsupported paper or specialty media. The Xerox® Total Satisfaction Guarantee is available in the United States and Canada. Coverage can vary outside of these areas. For details, contact your local Xerox® representative.

 **Note:** To ensure consistent print quality, the toner cartridges and imaging units are designed to cease functioning at a predetermined point.

Controlling Print Quality


Various factors can affect the quality of the output of your printer. For consistent and optimum print quality, use paper designed for your printer, and set the paper type correctly. To maintain optimum print quality, follow the guidelines in this section.


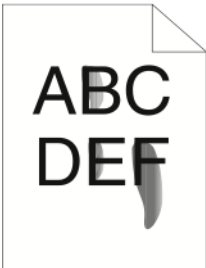
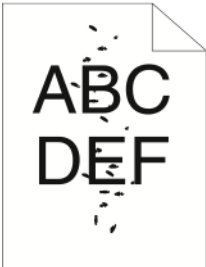
Temperature and humidity affect the quality of the printed output. The guaranteed range for optimal print quality is 10–30° C (50–86° F) and 20–80% relative humidity.

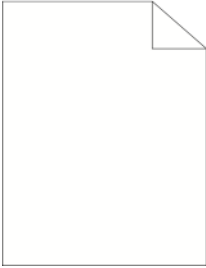
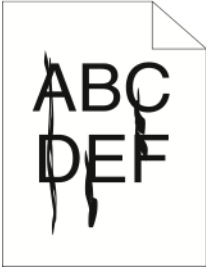


Solving Print-Quality Problems


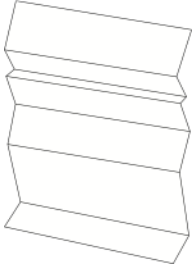
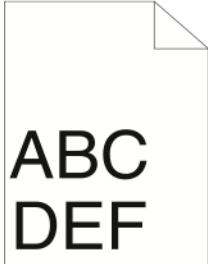
When the print quality is poor, select the closest symptom from the following table, then refer to the corresponding solution. To determine the print-quality problem more precisely, you can print a Demo Page.

If the print quality does not improve after completing the appropriate action, contact your Xerox® representative.

 **Note:** To maintain print quality, when toner is low, a warning message appears on the control panel. When the toner cartridge is empty, the printer stops printing, and a warning message appears that prompts you to replace the toner cartridge. The printer stops printing until you install a new toner cartridge.

Symptom	Solutions
<p>The output is too light.</p> 	<ul style="list-style-type: none"> • To check the toner level, check the control panel, use the print driver, or access Xerox®CentreWare® Internet Services. If the toner cartridge is almost empty, replace it. • Verify that the toner cartridge is approved for use in your printer, then replace the toner, as needed. For best results, use a genuine Xerox® toner cartridge. • Ensure that the print-quality mode is not set to Toner Saver. The Toner Saver setting is useful for draft-quality output. • Replace the paper with a recommended size and type, then confirm that your printer and print driver settings are correct. • Verify that the paper is dry and that supported paper is used. If not, change the paper. • Change the Paper Type settings in the print driver. In the print driver, open the Printing Preferences menu, click the Paper/Output tab, then change the Paper Type setting. • If the printer is located in a high-altitude environment, adjust the altitude setting of the printer. For details, refer to the <i>System Administrator Guide</i> at www.xerox.com/office/B1022_B1025docs.
<p>Toner smears or the print wipes off. The output has stains on the back side.</p> 	<ul style="list-style-type: none"> • In the print driver, change the Paper Type settings. In the print driver, open the Printing Preferences menu, click the Paper/Output tab, then change the Paper Type setting. For example, change Plain to Lightweight Cardstock. • Verify that the paper is the correct size, type, and weight. If not, change the paper settings. • Verify that the printer is plugged into an outlet that provides the correct voltage and power. If necessary, review with an electrician the electrical specification of the printer. • For details, refer to Electrical Specifications.
<p>Random spots appear on the output, or the image is blurry.</p> 	<ul style="list-style-type: none"> • Ensure that the toner cartridge is installed correctly. • Verify that the toner cartridge is approved for use in the printer, then replace the cartridge, as needed. For best results, use a genuine Xerox® toner cartridge. • Use the Heavyweight or Cardstock paper type setting, or use a paper type with a smoother surface. • Ensure that the humidity in the room is within specifications. For details, refer to Relative Humidity. • For details, refer to Selecting a Location for the Printer.

Symptom	Solutions
<p>The output is blank.</p> 	<p>Power off the printer, then power it on again.</p> <p>If the error persists, contact your Xerox® representative.</p>
<p>Streaks appear in the output.</p> 	<p>Order a new Drum Cartridge. To replace the Drum Cartridge, follow the installation instructions that are included with the new Drum Cartridge.</p>
<p>The output has a mottled appearance.</p> 	<ul style="list-style-type: none"> • Verify that the paper is the correct size, type, and weight. If not, change the paper settings. • Ensure that the humidity is within specifications. For details, refer to Selecting a Location for the Printer.
<p>Ghosting appears in the printed output.</p> 	<ul style="list-style-type: none"> • Verify that the paper is the correct size, type, and weight. If not, change the paper settings. • In the print driver, change the Paper Type settings. In the print driver, open the Printing Preferences menu, click the Paper/Output tab, then change the Paper Type setting. • <p>Order a new Drum Cartridge. To replace the Drum Cartridge, follow the installation instructions that are included with the new Drum Cartridge.</p>
<p>Auger marks appear on the printed output.</p>	<ul style="list-style-type: none"> • To check the toner level, check the printer control panel, use the print driver, or access Xerox®CentreWare® Internet Services. If the toner cartridge is almost empty, replace it. • Verify that the toner cartridge is approved for use in your printer, then replace the cartridge, as

Symptom	Solutions
	<p>needed. For best results, use a genuine Xerox® toner cartridge.</p> <ul style="list-style-type: none"> • <p>Order a new Drum Cartridge. To replace the Drum Cartridge, follow the installation instructions that are included with the new Drum Cartridge.</p>
<p>The output is wrinkled or stained.</p> 	<ul style="list-style-type: none"> • Verify that the paper is the correct size, type, and weight for the printer and that the paper is loaded properly. If not, change the paper. • Load a new ream of paper into the printer. • In the print driver, change the Paper Type settings. In the print driver, open the Printing Preferences menu, click the Paper/Output tab, then change the Paper Type setting.
<p>The top margin is incorrect.</p> 	<ul style="list-style-type: none"> • Verify that the paper is loaded properly. • Verify that the margins are set correctly in the application that you are using. • Verify that the paper orientation is selected properly in the Paper Settings option on the printer control panel.


Copy and Scan Problems

If the copy or scan quality is poor, refer to the following table.

Symptoms	Solutions
Lines or streaks are present in copies made from the document feeder only.	There is debris on the document glass. When scanning, the paper from the document feeder passes over the debris, creating lines or streaks. Clean all glass surfaces with a lint-free cloth.
Spots are present in copies made from the document glass.	There is debris on the document glass. When scanning, the debris creates a spot on the image. Clean all glass surfaces with a lint-free cloth.
The reverse side of the original document appears on the copy or scan.	Select Background Suppression .
The image is too light or too dark.	To lighten or darken the image, use the Lighten/Darken tab in either the Scan To or Copy function.

If the problem persists, for online support information, go to www.xerox.com/office/B1022_B1025support

Fax Problems

 **Note:** If your Xerox device cannot send and receive faxes, ensure that the printer is connected to an approved analog or digital telephone line.

If your printer cannot send or receive faxes correctly, refer to the following tables.

Problems Sending Faxes

Symptoms	Causes	Solutions
The document is not scanned using the document feeder.	The document is too thick, too thin, or too small.	Use the document glass to send the fax.
The document is scanned at an angle.	The document feeder guides are not adjusted to the width of the document.	Adjust the document feeder guides to fit the width of the document.
The fax that the recipient received is blurry.	The document is positioned incorrectly.	Position the document correctly.
	The document glass is dirty.	Clean the document glass.
	The text in the document is too light.	Adjust the resolution. Adjust the contrast.
	There is a problem with the telephone connection.	Verify that the telephone line is working, then resend the fax.
	There is a problem with the fax machine of the recipient.	To verify that your printer is operating correctly, make a copy. If the copy prints correctly, request that the recipient verify the condition of the receiving fax machine.
The fax received by the recipient is blank.	The document was loaded incorrectly.	<ul style="list-style-type: none"> If you use the document feeder: Place the original document face up. If you use the document glass: Place the original document face down.
Fax was not transmitted.	The fax number is incorrect.	Verify the fax number.
	The telephone line is connected incorrectly.	Verify the telephone line connection. If there is not a connection, then connect the telephone line.

Symptoms	Causes	Solutions
	There is a problem with the fax machine of the recipient.	Contact the recipient.
	The fax is not installed or is not enabled.	Verify that the fax is installed and enabled.
	Server Fax is not supported.	No solution.

If the problem persists, for online support information, go to www.xerox.com/office/B1022_B1025support.

Problems Receiving Faxes

Symptoms	Causes	Solutions
The received fax is blank.	There is a problem with the telephone connection or with the fax machine of the sender.	Verify that the printer can create clean copies. If the printer can create clean copies, request that the sender resend the fax.
	The sender loaded the pages incorrectly.	Contact the sender.
The printer answers the call, but does not accept incoming data.	Not enough printer memory. If the job contains several graphics, the printer probably does not have enough memory. If memory is low, the printer does not answer.	Delete stored documents and jobs, then wait for the existing job to complete. The deletion of stored documents and jobs increases available memory.
The received fax size is reduced.	The paper supply in the printer does not match the document size sent.	Confirm the original size of the documents. Documents can be reduced based on the available paper supply in the printer.
Faxes are not received automatically.	The printer is set to receive faxes manually.	Set the printer to automatic reception.
	The printer memory is full.	If the paper tray is empty, load paper, then print the faxes stored in the memory.
	The telephone line is connected incorrectly.	Verify the telephone line connection. If there is no connection, connect the telephone line.

Symptoms	Causes	Solutions
	<p>There is a problem with the fax machine of the sender.</p>	<p>To verify that your printer is operating correctly, create a copy. If the copy prints correctly, request that the sender verify that the fax machine is operating correctly.</p>

If the problem persists, for online support information, go to www.xerox.com/office/B1022_B1025support

Getting Help

Xerox® provides automatic diagnostic utilities to help you maintain printer productivity and print quality.

Control Panel Messages

The printer control panel provides information and troubleshooting help. When a fault or warning condition occurs, the control panel displays a message informing you of the problem. Often, the control panel displays an animated graphic showing the location of the problem, such as the location of a paper jam. For many status and warning messages, the control panel Help feature provides additional information.

Viewing Warning Messages on the Control Panel

When a warning condition occurs, a message appears on the control panel to inform you of the problem. Warning messages inform you about printer conditions, such as low supplies or open doors, that require your attention. If more than one warning condition occurs, only one appears on the control panel.

Viewing Error and Alert Messages on the Control Panel

When an error condition occurs, a message appears on the control panel to inform you of the problem. Error messages warn you about printer conditions that prevent the printer from printing or degrade printing performance. If more than one error occurs, only one is displayed on the control panel.

To view a list of the current errors on the control panel:

1. Press the **Machine Status** button, then touch the **Active Messages** tab.
2. Touch the **Faults and Alerts** menu, then choose an option.
 - **Faults:** This option shows the error messages that affect the operation of the printer and the corresponding fault codes.
 - **Alerts:** This option shows alert messages regarding the current job status of the printer and the corresponding alert codes.


Using the Integrated Troubleshooting Tools

Your printer has a printable set of reports. Two of them, the Demo Page and the Error Message Report, can help with troubleshooting certain problems. The Demo Page prints an image to show the current ability of the printer to print. The Error Message Report prints information on the most recent printer errors.

Setting Access Rights for the Configuration Report and Information Pages

Contact the system administrator to change user access rights in any of the following ways:


- Prevent the Configuration Report from printing automatically whenever the printer powers on.
- Restrict access rights of some or all users so that they cannot print the Information Pages or the Configuration Report.
- Change access rights of some or all users so that they can print the Information Pages or the Configuration Report.

 **Note:** For details, refer to the *System Administrator Guide* at www.xerox.com/office/B1022_B1025docs.

Accessing and Printing the Information Pages

To access the full list of information pages for your printer:

1. At the printer control panel, press the **Self Help (?)** button.
A list of information pages that you can print appears.
2. To scroll the list of available pages, touch and drag your finger up or down the menu. Touch the required page, then touch **Print**.

 **Note:** To print all the information pages, touch **All Information Pages**, then touch **Print**.

3. To return to the Home screen, touch **(X)**.

Available Information Pages

Information pages provide important details to help you troubleshoot issues or analyze printer use. You can print information pages from the printer control panel.

Information Page	Description
Configuration Report	The Configuration Report provides product information including installed options, network settings, port setup, tray information, and more.
Customer Assistance Report	The Customer Assistance Report provides a summary of relevant information that you can provide to a Xerox® support representative.
Demo Page	The Demo page provides a demonstration of the current print quality.
Supplies Usage Report	The Supplies Usage Report provides print coverage information.
Email Sent Report	The Email Sent Report provides a record of emails sent, including From, To, Date & Time, Subject, and Result.
Error Message Report	The Error Message Report provides a record of errors, including fault and alert codes, and the date and time of the error.
Fax Broadcast Report	The Fax Broadcast Report provides a record of broadcast faxes, including total pages scanned, remote station, start time, and result.

Information Page	Description
Fax Options Report	The Fax Options Report displays the current fax settings.
Fax Phone Book	The Fax Phone Book displays a list of names and fax numbers.
Fax Protocol Report	The Fax Protocol Report provides fax control field data, fax information field data, and Send/Receive information.
Fax Receive Report	The Fax Receive Report provides a record of faxes received.
Fax Transmission Report	The Fax Transmission Report provides a record of faxes sent.
Group Address Book	The Group Address Book displays contents of the Group Address Book, including group number, group name, user name, and email address.
Junk Fax Report	The Junk Fax Report displays a record of junk faxes received and the numbers from which they were sent.
Last 40 Error Messages Report	The Last 40 Error Messages Report is a log of the last 40 error messages, with number, code, name, date, and time.
Local Address Book	The Local Address Book displays contents of the local address book.
Pending Jobs Report	The Pending Jobs Report provides a record of pending outbound and inbound jobs.
User Authentication Report	The User Authentication Report provides a list of authenticated users and login IDs.

For information on how to print information pages, refer to [Accessing and Printing the Information Pages](#).

Online Support Assistant

The Online Support Assistant provides instructions and troubleshooting help to solve your printer problems. For example, you can find solutions for print-quality problems, paper jams, and software installation issues.

To access the Online Support Assistant, go to www.xerox.com/office/B1022_B1025support.

More Information

You can obtain more information about your printer from these sources:

Resource	Location
<i>Installation Guide</i>	Packaged with the printer and can be downloaded at www.xerox.com/office/B1022_B1025docs
Other documentation for your printer	www.xerox.com/office/B1022_B1025docs
Technical support information for your printer, including online technical support, Online Support Assistant, and print driver downloads.	www.xerox.com/office/B1022_B1025support
Information Pages	Accessing and Printing the Information Pages
Information about menus or error messages	Press the control panel Self Help (?) button.
Order supplies for your printer	http://www.support.xerox.com
Local Sales and Support Center	www.xerox.com/office/worldcontacts
Printer registration	www.xerox.com/office/register
Xerox® Direct online store	www.direct.xerox.com/

A

Specifications

This appendix contains:


- [Printer Configurations and Options](#) 174
- [Physical Specifications](#) 177
- [Environmental Specifications](#) 179
- [Electrical Specifications](#)..... 180
- [Performance Specifications](#) 181

Printer Configurations and Options

Available Configurations

This printer is available in the following standard and optional configurations:

- Standard Configuration – Document Feeder with Tray 1
- Standard Configuration - Document Glass with Tray 1
- Optional Configuration – Document Feeder with Tray 1 and Optional Tray 2
- Optional Configuration – Document Glass with Tray 1 and Optional Tray 2

 **Note:** You can add the optional Wi-Fi Kit or Fax to the standard configurations or any of the optional configurations.

Standard Configurations

Standard Configuration with Document Feeder and Tray 1

This printer is available in the following standard configurations:

- Local print from personal computer
- Network print
- Scan to email
- Scan to network computer
- Scan to USB and Print from USB mass storage devices
- Copy - includes ID card copy
- Tray 1 with 250-sheet capacity
- Bypass tray with 100-sheet capacity
- Document Feeder
- 2-sided printing
- Xerox® CentreWare® Internet Services

Standard Configuration with Document Glass and Tray 1

All features included in the first standard configuration, except for the document feeder.

Optional Configurations

This printer is available in the following optional configurations:

Optional Configuration with Document Feeder and Optional Tray 2	Optional Configuration with Document Glass and Optional Tray 2
All features included in the first standard configuration, plus the optional Tray 2 with 250-sheet capacity.	All features included in the first standard configuration, except for the document feeder. The optional Tray 2 with 250-sheet capacity is also included.

Standard Features


Print Speed	<p>1-Sided print speed:</p> <ul style="list-style-type: none"> Maximum 25 ppm for A4 (210 x 297 mm) Maximum 25 ppm for Letter (8.5 x 11 in.) <p>2-Sided print speed:</p> <ul style="list-style-type: none"> Maximum 13 ppm for A4 (210 x 297 mm) Maximum 13 ppm for Letter (8.5 x 11 in.)
Maximum Print Resolution	Up to 1200 dpi
Standard Memory (RAM)	1.5 Gbytes
Flash Memory (ROM)	NAND 512 Mbytes
Mass Storage	Micro SD card 8 Gbytes
Storage	N/A
Paper Capacity	<ul style="list-style-type: none"> Bypass tray with 100-sheet capacity Tray 1 with 250-sheet capacity Optional Tray 2 with 250-sheet capacity Document Feeder with 100-sheet capacity
Maximum Print Size	297 x 432 mm (11.68 x 17 in.)
Minimum Print Size	125 x 101.6 mm (4.92 x 4 in.)
Copy Speed	<p>1-Sided copy: 25 copies per minute</p> <p>2-Sided copy: 13 copies per minute</p>
Copy Resolution	600 x 600 dpi
Maximum Copy Size	297 x 432 mm (11.68 x 17 in.)
Document Feeder	Duplex Automatic Document Feeder
Document Feeder Capacity	100 sheets
Scan Resolution	600 x 600 dpi
Simplex Input Speed	30 images per minute
Supported Scanning	<ul style="list-style-type: none"> USB

Specifications

	<ul style="list-style-type: none"> • Email • Local Computer Scan • Network Computer Scan
Maximum Scan Area	<ul style="list-style-type: none"> • Document Glass: 297 x 432 mm (11.69 x 17 in.) • Document Feeder: Up to 279 x 432 mm (11 x 17 in.) A3
Email and Scan File Formats	<ul style="list-style-type: none"> • JPG • PDF – single and multi-page • TIFF – single and multi-page
Control Panel	109 mm (4.3 in.) LCD touch screen and keypad navigation
Connectivity	<ul style="list-style-type: none"> • Universal Serial Bus (USB 2.0) • USB Flash drive • Ethernet 10/100 Base TX, internal • Optional Wi-Fi
Remote Access	Xerox® CentreWare® Internet Services
Fax Speed	33.6 Kbps
Fax Resolution	<ul style="list-style-type: none"> • Standard Resolution: 8 x 3.85 pixels/mm (203 x 98 dpi) • Fine: 8 x 7.7 pixels/mm (203 x 196 dpi) • Superfine: 11.8 x 11.8 pixels/mm (300 x 300 dpi)
Compression	MH, MR, MMR, JBIG, JPEG
Fax Features	Walk-up Fax, LAN Fax, Direct Fax, Fax Forward to Email

Physical Specifications

Weights and Dimensions

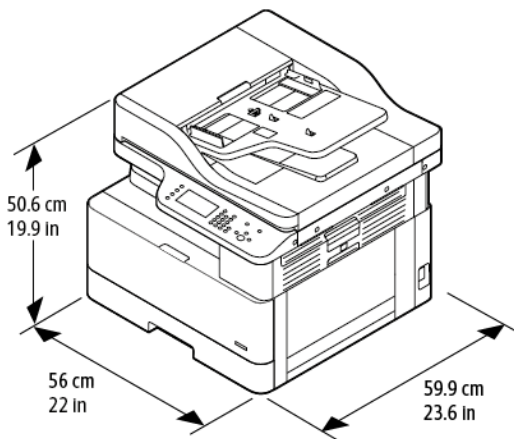
 **Note:** There are two standard configurations and two optional configurations:

- Standard Configuration, Document Feeder with Tray 1
- Standard Configuration, Document Glass with Tray 1
- Optional Configuration, Document Feeder with Tray 1 and Optional Tray 2
- Optional Configuration, Document Glass with Tray 1 and Optional Tray 2

Measurement	Standard Configuration, Document Feeder with Tray 1	Standard Configuration, Document Glass with Tray 1
Width	56.0 cm (22.0 in.)	56.0 cm (22 in.)
Depth	59.9 cm (23.6 in.)	55.5 cm (21.9 in.)
Height	50.6 cm (19.9 in.)	41.7 cm (16.4 in.)
Weight	30.4 kg (67 lb.)	25.9 kg (57 lb.)

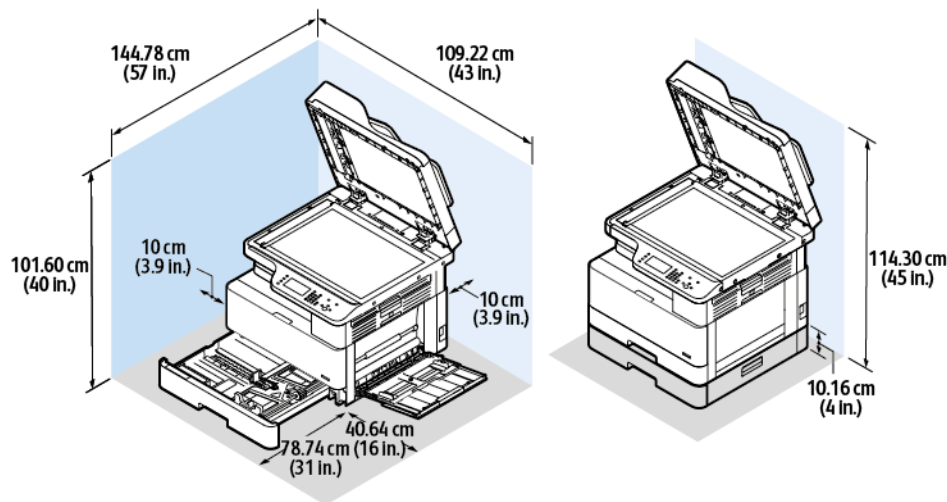
Measurement	Optional Configuration, Document Glass with Tray 1	Optional Configuration, Document Glass with Tray 1 and Optional Tray 2
Width	56.0 cm (22.0 in.)	56.0 cm (22.0 in.)
Depth	59.9 cm (23.5 in.)	55.5 cm (21.9 in.)
Height	62.5 cm (24.6 in.)	53.6 cm (21.1 in.)
Weight	35.8 kg (78.9 lb.)	31.3 kg (69 lb.)

Physical Specifications for Standard Configuration



Clearance Requirements

The figure on the left provides clearance requirements for a printer that is equipped with tray 1. The figure on the right provides additional clearance requirements for a printer that is equipped with the optional tray 2.



Environmental Specifications

Temperature

- Optimum Temperature: 16–30° C (61–86° F)
- Operating Temperature: 10° to 30° C (50° to 86° F)

Relative Humidity

Minimum–Maximum Humidity Range: 10–90 %, less than 90 % when in the packaging

- Optimum Humidity: 30–70 %
- Operating Humidity: 20–80 % Relative Humidity



Note: Under extreme environmental conditions, such as 10° C (50° F) and 85 % relative humidity, defects can occur due to condensation.

Elevation

For optimum performance, use the printer at elevations below 2500 m (8,202 ft.)

Electrical Specifications

Power Supply Voltage and Frequency

- **Input Voltage:** AC 110 V – 127 V ($\pm 10\%$), AC 220 V – 240V ($\pm 10\%$)
- **Rated Frequency:** 50 – 60 Hz ($\pm 3\%$)


Power Consumption

- Power Saver mode or Sleep mode: Less than 1.5 W
- Continuous printing: Less than 650 W
- Ready or Standby: Less than 80 W

Performance Specifications

Printer Warm-Up Times

- Boot Time: Less than 43 seconds.
- Recovery from low-power mode: Less than 18 seconds.

 **Note:** Warm-up time assumes an ambient temperature of 22° C (89.6° F) at 40 % relative humidity.

Print Speed

- 1-Sided Print Speed: Up to 25 ppm for A4 (210 x 297 mm) and 25 ppm for Letter (8.5 x 11 in.).
- 2-Sided Print Speed: Up to 13 ppm for A4 (210 x 297 mm) and 13 ppm for Letter (8.5 x 11 in.).

Several factors can affect print speed: print mode, paper size, and paper type.

- Print mode: Standard mode is the fastest print mode. Enhanced mode produces the best-quality prints, but Enhanced mode is half the speed of Standard mode.
- Paper size: Letter (8.5 x 11 in.) and A4 (210 x 297 mm) sizes print the fastest.
- Paper type: Plain paper prints faster than cardstock or heavyweight paper.

Specifications

B

Regulatory Information

This appendix contains:

- [Basic Regulations](#) 184
- [Copy Regulations](#) 188
- [Fax Regulations](#)..... 189
- [Material Safety Data Sheets](#) 190

Basic Regulations

Xerox has tested this printer to electromagnetic emission and immunity standards. These standards are designed to mitigate interference caused or received by this printer in a typical office environment.

European Union



The CE mark applied to this printer symbolizes a declaration of conformity by Xerox with the following applicable Directives of the European Union as of April 16, 2014: Radio Equipment Directive 2014/53/EU.

Hereby, Xerox declares that the radio equipment model B1022/B1025 is in compliance with Directive 2014/53/EU. The full text of the EU declaration of conformity is available at the following Internet address: www.xerox.com/environment_europe.

This printer, if used properly in accordance with the instructions, is not dangerous for the consumer or the environment.



WARNING:

- Changes or modifications to this equipment not specifically approved by the Xerox Corporation can void the user's authority to operate this equipment.
- External radiation from Industrial, Scientific, and Medical (ISM) equipment can interfere with the operation of this Xerox device. If external radiation from ISM equipment interferes with this device, contact your Xerox representative for assistance.
- This is a Class A digital device. In a domestic environment, this printer can cause radio frequency interference, in which case the user can be required to take adequate measures.
- To ensure compliance with European Union regulations, use shielded interface cables.

European Union Lot 4 Imaging Equipment Agreement Environmental Information

Environmental Information Providing Environmental Solutions and Reducing Cost

The following information assists users and was issued in relation to the European Union (EU) Energy Related Products Directive. Specifically, it was issued in relation to the Lot 4 study on Imaging Equipment. This directive requires manufacturers to improve environmental performance of in-scope devices and supports the EU action plan on energy efficiency.

In-scope devices are Household and Office equipment that meet the following criteria.

- Standard monochrome-format devices with a maximum speed of less than 66 A4 images per minute
- Standard color-format devices with a maximum speed of less than 51 A4 images per minute

Environmental Benefits of Duplex Printing

Most Xerox products have duplex printing capability, also known as 2-sided printing. This capability enables you to print on both sides of the paper, reduces paper consumption, and, therefore, the use of valuable resources.

The Lot 4 Imaging Equipment agreement requires that the 2-sided functionality is auto-enabled on models greater than or equal to either 40 ppm color, or 45 ppm monochrome. The 2-sided function is auto-enabled during the setup and print driver installation.

Some Xerox models below these speed bands can be enabled with 2-sided print settings defaulted at the time of installation. Using the 2-sided function reduces the environmental impact of your work. However, if you require simplex/1-sided printing, you can change the print settings in the print driver.

Paper Types

This printer can print on both recycled and virgin paper, approved to an environmental stewardship scheme, which complies with EN12281, or a similar quality standard. In certain applications, use lighter weight paper, such as 60 g/m², which contains less raw material and, therefore, saves resources per print. Check if this lighter weight paper is suitable for your printing needs.

Power Consumption and Activation Time

The amount of electricity a printer consumes depends on the way that you use the device. This printer is designed and configured to enable you to reduce your electricity costs. After the last print, the device switches to Ready mode. In this mode, the device can print again immediately. If the printer is not used for a specified time, the device switches to a Power Saver mode. In these modes, to enable reduced printer power consumption, only essential functions remain active.

The printer takes slightly longer to produce the first print after it exits a Power Saver mode than it takes in Ready mode. This delay is due to the system waking up from a Power Saver mode, and is typical of most imaging devices on the market.

You can set a longer activation time or completely deactivate the Power Saver mode. This device can take longer to switch to a lower energy level.

For more information about Xerox participation in sustainability initiatives, go to: www.xerox.co.uk/about-xerox/environment/engb.html.

Environmental Choice Certified to Office Devices CCD-035



This printer is certified to the Environmental Choice standard for office devices, meeting all requirements for reduced environmental impact. As part of achieving certification, Xerox Corporation has proven this product meets the Environmental Choice criteria for energy efficiency. Certified copier, printer, multifunctional device, and fax products are required to meet criteria, such as reduced chemical emissions, and demonstrate compatibility with recycled supplies. Environmental Choice was established in 1988 to help consumers find printers and services with reduced environmental impact. Environmental Choice is a voluntary, multi-attribute, and lifecycle-based environmental certification. This certification indicates that a product has undergone rigorous scientific testing, exhaustive testing, or both, to prove its compliance with stringent, third-party, environmental performance standards.

Eurasian Economic Community Certification



Russia, Belarus, and Kazakhstan are working to establish a common customs union, the Eurasian Economic Community, or EurAsEC. The Eurasian Economic Community members anticipate sharing a common regulatory scheme and common EurAsEC certification mark, the EAC Mark.

Germany

Blendschutz

Das Gerät ist nicht für die Benutzung im unmittelbaren Gesichtsfeld am Bildschirmarbeitsplatz vorgesehen. Um störende Reflexionen am Bildschirmarbeitsplatz zu vermeiden, darf dieses Produkt nicht im unmittelbaren Gesichtsfeld platziert werden.

Lärmemission

Maschinenlärminformations-Verordnung 3. GPSGV: Der höchste Schalldruckpegel beträgt 70 dB(A) oder weniger gemäß EN ISO 7779.

Importeur

Xerox GmbH

Hellersbergstraße 2-4

41460 Neuss

Deutschland

Turkey RoHS Regulation

In compliance with Article 7 (d), we certify “it is in compliance with the EEEregulation.”

“EEE yönetmeliğine uygundur.”

Regulatory Information for 2.4 GHz Wireless Network Adapter

This product contains a 2.4-GHz Wireless LAN radio transmitter module that complies with the requirements specified in European Council Directive 2014/53/EU. Radio Frequency (RF) output power of this device will not exceed 20 dBm in either frequency band.

Operation of this device is subject to the following two conditions:

1. The device does not cause harmful interference, and
2. This device accepts any interference received, including interference that may cause undesired operation.

Changes or modifications to this device, not specifically approved by the Xerox Corporation, may void the user's authority to operate this equipment.

Copy Regulations

Copy Regulations

Copying certain documents may be illegal in your country. Penalties of fine or imprisonment can be imposed on those individuals found guilty of making such reproductions.

- Currency notes
- Bank notes and checks
- Bank and government bonds and securities
- Passports and identification cards
- Copyright material or trademarks without the consent of the owner
- Postage stamps and other negotiable instruments

This list is not inclusive and no liability is assumed for either its completeness or accuracy. If there is doubt, contact your legal counsel.

Fax Regulations

Fax Send Header Requirements

The Telephone Consumer Protection Act of 1991 makes it unlawful for any person to use a computer or other electronic device, including a fax machine, to send any messages unless such a message clearly contains in a margin at the top or bottom of each transmitted page, or on the first page of the transmission, the date and time it is sent, and an identification of the business or other entity, or other individual sending the message, and the telephone number of the sending machine or such business, other entity, or individual. The telephone number provided may not be a 900 number or any other number for which charges exceed local or long-distance transmission charges.


European Union

Radio Equipment and Telecommunications Terminal Equipment Directive

The Facsimile was approved in accordance with the Council Decision 1999/5/EC for pan-European single-terminal connection to the public switched telephone network (PSTN). However, due to differences between the individual PSTNs in different countries, the approval does not assure successful operation on every PSTN network terminal point.

If a problem occurs, contact your authorized local dealer.

This product was tested and is compliant with ES 203 021-1, -2, -3, a specification for terminal equipment for use on analog-switched telephone networks in the European Economic Area. This product provides a user-adjustable setting of the country code. Set the country code before you connect this product to the network. Refer to the customer documentation for the procedure for setting the country code.

 **Note:** Although this printer can use either loop disconnect (pulse) or DTMF (tone) signaling, DTMF signaling is recommended for more reliable and faster call setup. Modification of this product, connection to external control software, or connection to an external control apparatus not authorized by Xerox, invalidates its certification.

South Africa Fax Regulations

Use this modem with an approved surge-protection device.

Material Safety Data Sheets

For Material Safety Data information regarding your printer, go to European Union: www.xerox.com/environment_europe

For the Technical Customer Support phone numbers, go to: www.xerox.com/office/worldcontacts.

C

Recycling and Disposal

This appendix contains:

- All Countries..... 192
- European Union..... 193
- Other Countries..... 195

All Countries

If you are managing the disposal of your Xerox product, note that the printer may contain lead, mercury, perchlorate, and other materials whose disposal may be regulated due to environmental considerations. The presence of these materials is fully consistent with global regulations applicable at the time that the product was placed on the market. For recycling and disposal information, contact your local authorities.

Perchlorate Material

This product may contain one or more Perchlorate-containing devices, such as batteries. Special handling may apply. Refer to www.dtsc.ca.gov/hazardouswaste/perchlorate.

European Union

You can use some equipment in both a domestic/household and a professional/business application.

Domestic/Household Environment



Application of this symbol on your equipment is confirmation that you cannot dispose of the equipment in the typical household waste stream.

In accordance with European legislation, you are required to segregate from household waste any end-of-life electrical and electronic equipment that is subject to disposal.

Private households within EU member states can return used electrical and electronic equipment to designated collection facilities free of charge. Contact your local disposal authority for information.

In some member states, when you purchase new equipment, your local retailer can take back your old equipment free of charge. Ask your retailer for information.

Professional/Business Environment



When this symbol is on your equipment, you are required to dispose of the equipment in compliance with agreed national procedures.

In accordance with European legislation, you are required to manage end-of-life electrical and electronic equipment that is subject to disposal, within agreed procedures.

Before disposal, for end-of-life take-back information, contact your local reseller or Xerox representative.

Business Users in the European Union

To discard electrical and electronic equipment, for further information, contact your dealer or supplier.

Disposal Outside of the European Union

These symbols are only valid in the European Union. If you want to discard these items, contact your local authorities or dealer for the correct method of disposal.

Battery Symbol Note



This wheeled-bin symbol may be used in combination with a chemical symbol. This establishes compliance with the requirements set by the Directive.

Battery Removal

Use only a manufacturer-approved service facility to replace the batteries.

Other Countries

To request disposal guidance, contact your local waste-management authority.

D

Features


Feature	Description	Copy	Email	Fax	Scan To	US-B	Saved Jobs	ID Card Copy
2-Sided Copying and 2-Sided Scan	To set the printer to copy or scan one or both sides of an original document, use the 2-Sided options. For Copy or Scan jobs, you can specify 1-Sided or 2-Sided output. To rotate the second side pages, use the Output Rotation option.	X	X	X	X	X		
Auto Center	To center the image within the document margins, use the Auto Center setting.	X						
Background Suppression	To reduce the sensitivity of the printer to variations in light background colors, use the Background Suppression setting.	X	X	X	X	X		X
Book Copying	To copy books, magazines, or other bound documents, use the Book Copying feature.	X						
Booklet Creation	To print two pages on each side of the paper, use the Booklet Creation feature. The pages are reordered so that they are in numerical order when folded.	X						
Collation	You can collate multiple-page copy jobs automatically. For example, for three 1-sided copies of a six-page document, the copies are printed in this order: 1, 2, 3, 4, 5, 6; 1, 2, 3, 4, 5, 6; 1, 2, 3, 4, 5, 6.	X						
Covers	You can add a front cover, a back cover, or front and back covers to a job. The printer	X						

Features

Feature	Description	Copy	Email	Fax	Scan To	USB	Saved Jobs	ID Card Copy
	selects the special paper for the cover from a different tray. The cover can be blank or printed.							
Delay Send	You can set a time in the future for the printer to send your fax job. You can delay the send of your fax job for up to 24 hours.			X				
Enter Recipient	To enter the fax number of each recipient, use the touch screen keypad.			X				
File Format	To specify the format of the saved image, use the File Format option.		X		X	X		
From	To specify the originator of the email or scan, use the From option.		X					
If File Already Exists	To define the action that the printer takes to name a file when the file name is used already, use this option.				X			
Image Shift	To modify the location of the image on the page, use the Image Shift option. You can shift the printed image along the X and Y axes of each sheet of paper.	X						
Lighten/Darken	To make the output image or print lighter or darker, move the Lighten/Darken slider.	X	X	X	X	X		X
Mailboxes	To store faxes that were retrieved remotely, use the Mailboxes option. You can use this option to store faxes for retrieval by a remote printer with faxing capability. The mailbox number is required to access a mailbox. You can set a passcode to secure confidential documents.			X				

Feature	Description	Copy	Email	Fax	Scan To	USB	Saved Jobs	ID Card Copy
Manual Dial Mode	To enable the fax modem speaker temporarily, use the Manual Dial Mode option. This feature is helpful to dial international numbers, or to use phone systems that require you to wait for a specific audio tone.			X				
Margin Shift	To shift the margins on the left, right, top, or bottom of the image, use the Margin Shift settings.	X						
Message	To enter information to accompany the email, use the Message option.		X					
Original Orientation	To specify the layout of the original images, use the Original Orientation option. The printer uses the information to determine if images require rotation to produce the required output.	X	X	X	X	X		
Original Size	To ensure that you are scanning the correct area of the documents, specify the original document size.	X	X	X	X	X		
Original Type	The printer optimizes image quality based on the type of images in the original document, and how the original was created.	X	X	X	X	X		
Output Color	To control color rendering of the output image or print, use the Output Color option.		X		X	X		
Page Layout	You can print the selected number of pages on one side of a sheet of paper. If you select multiple pages per sheet, you save paper, and provide a way to review the document layout.	X						

Features

Feature	Description	Copy	Email	Fax	Scan To	USB	Saved Jobs	ID Card Copy
Paper Supply	To specify the paper tray for your print job, use the Paper Supply option. If you select Auto, the printer chooses the paper tray based on the original document size and the selected settings.	X						X
Polling	The Polling feature allows you to store a faxed document on the printer so that the document is available to other printers with the Polling feature. You can retrieve faxes stored on other printers equipped with the Polling feature.			X				
Quantity	To enter the number of copies required for your job, use the Quantity option.	X					X	X
Reduce/Enlarge	You can reduce the image to as little as 25 % of the original size or enlarge it as much as 400 %.	X						
Reply To	To include an email address that you want the recipient to reply to, use the Reply To option. This option is useful if you want the recipient to reply to your email address rather than to the printer.  Note: The system administrator can preset this option.		X					
Resolution	Resolution determines how fine or grainy graphic images appear. Image resolution is measured in dots per inch (dpi).		X	X	X	X		

Feature	Description	Copy	Email	Fax	Scan To	USB	Saved Jobs	ID Card Copy
Send Header Text	<p>It is unlawful to send a fax message without the proper header text. To ensure that the following information is included on all faxes, use the Send Header Text option:</p> <ul style="list-style-type: none"> Name and telephone number of the sender Date and time of the transmission 			X				
Subject	To add a title or heading to an email, use the Subject option.		X					

Features

