

VS FloPro 0.85 HP  
VS FloPro 1.65 HP  
VARIABLE-SPEED PUMP



Jandy®

**MAXIMUM EFFICIENCY.  
ULTRA COMPACT DESIGN.**



**VS FLOPRO™**  
VARIABLE-SPEED PUMP

# Save over \$750 per year on energy costs with the VS FloPro™ 1.65 HP Variable-Speed Pump<sup>1</sup>

VS FloPro 1.65 is designed with an innovative adjustable base, allowing for simple installation on new construction, or quick and easy replacement of existing pumps. Well suited for applications with 1.5" or 2" plumbing, the VS FloPro is designed to be operated at energy-saving lower speeds for maximum efficiency.

- 115v and 230v Models Available**

The VS FloPro is available in 230v and 115v models, providing installation flexibility while avoiding time consuming and costly rewiring expenses.

- Ultra High-Efficiency Motor**

Features a totally enclosed fan-cooled (TEFC) permanent magnet brushless DC motor for cooler operation and extended motor life.

- Multiple Control System Options Available<sup>2</sup>**

The AUT model is completely programmable and customizable with the Jandy AquaLink® line of automation systems, and can be paired with iQPUMP01 for iAquaLink™ anytime, anywhere app control.



The JEP model features an onboard JEP-R controller with two timed speeds/8 speeds total and can be rotated 180° or removed for remote mounting. Reliable battery backup ensures time and settings are stored during power outages.

- Compact**

- › High-performance pump in an ultra-compact body that easily fits in small equipment areas.

- Additional Features**

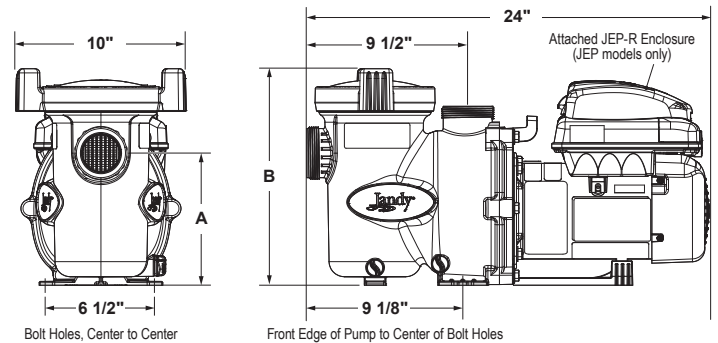
- › Adjustable base included with all FloPro models<sup>3</sup>
- › Includes 2" unions or utilize 2" internal threads
- › Ergonomic easy-transport handle
- › High profile easy-grip lid handles with large capacity basket

- Complies with Appliance Efficiency Standards (CEC Title 20 & ANSI®/APSP-15) and qualifies for power rebates, where offered.**

## ADJUSTABLE BASE CONFIGURATIONS<sup>3</sup>

Base	Fits	'A' Dimension	'B' Dimension
No Base	Hayward® Super Pump®, Pentair® SuperFlo®, Sta-Rite® SuperMax®	7 3/4"	12. 3/4"
Small Base	Hayward Super II™, Jandy PlusHP and MaxHP Pumps	8 7/8"	13 7/8"
Small Base w/ Spacers	Pentair WhisperFlo®, Sta-Rite Dyna-Glas™	9 1/8"	14 1/8"
Small Base & Large Base	Sta-Rite Max-E Pro®, Sta-Rite Dura-Glas®, Sta-Rite Dura-Glas II, Sta-Rite Max-E Glas	10 3/4"	15 3/4"

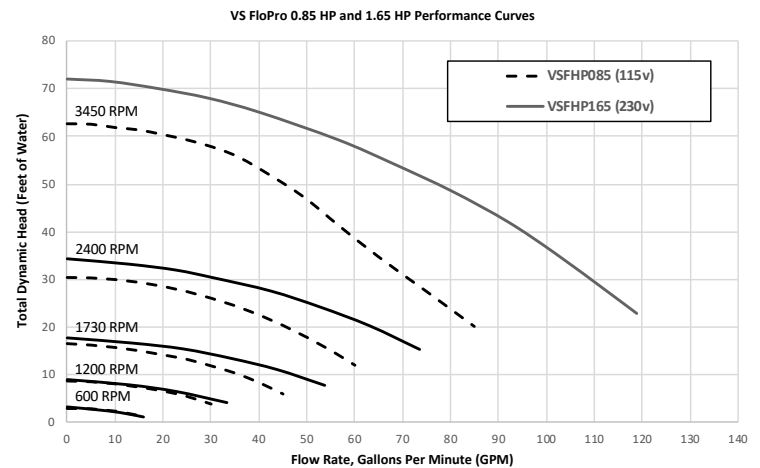
## DIMENSIONS



## SPECIFICATIONS

Model No.	THP	WEF <sup>5</sup>	Voltage	Max Watts	Amps	Union Size	Rec. Pipe Size <sup>4</sup>	Carton Weight	Overall Length
VSFHP165JEP VSFHP165AUT	1.65	9.118	230VAC	1,600 W	10.5	2" x 2"	1 1/2" - 2 1/2"	46 lbs	24"
VSFHP085JEP VSFHP085AUT	0.85	11.900	115VAC	975 W	10.0	2" x 2"	1 1/2" - 2"	46 lbs	24"

## PERFORMANCE



<sup>1</sup> VSFHP165AUT or VSFHP165JEP model filtering a 22,000 gallon pool with 2 turnovers per day at an average power cost of 0.185/kWh; when tested in accordance with the applicable requirements of 10 CFR 429.

<sup>2</sup> Onboard JEP-R controller included with JEP models. Controller option sold separately with AUT models.

<sup>3</sup> Small adjustable base with spacers included with all VS FloPro models. Large base is optional and sold separately (Part # R0546400).

<sup>4</sup> Always follow local building and safety codes for pipe sizing and guidelines.

<sup>5</sup> WEF = weighted energy factor in kgal/kWh. WEF is a performance-based metric adopted by the Department of Energy to characterize the energy performance of dedicated-purpose pool pumps. Department of Energy 10 CFR Parts 429 and 431.

Jandy.com | 1.800.822.7933

