

# Cable Cubby Series/2

NEXT GENERATION  
CABLE ACCESS ENCLOSURES  
FOR AV CONNECTIVITY &  
AC POWER

- ▶ Accommodates AC power outlets, Retractors, AV cables, and AAP - Architectural Adapter Plates
- ▶ Patented modular design for fast assembly and serviceability
- ▶ Retractor, Cable Pass-Through, and AAP Brackets included
- ▶ AC Power and AC+USB Power Modules available for US, Europe, and other major world markets
- ▶ Choice of enclosure sizes and finishes to fit any room decor or furniture style

Elegant Cable Management Solutions  
for High-Profile Environments



**Extron Electronics**  
INTERFACING, SWITCHING AND CONTROL

# Introduction

The Extron **Cable Cubby® Series/2** is the next generation of Cable Cubby cable access enclosures, the AV industry's gold standard for conference table AV connectivity, AC power, and cable management. These sophisticated yet durable, furniture-mountable enclosures are available in four sizes and blend seamlessly with modern furniture and room décor, virtually disappearing into the surface when closed. Cable Cubby Series/2 models include:

The **Cable Cubby 500**, a compact enclosure for single-user applications, that accommodates one AC power module and up to three Retractors, four AV cables, or two AAPs - Architectural Adapter Plates.



The **Cable Cubby 700**, a mid-size enclosure for one or two users that accommodates one AC power module and up to six Retractors, eight AV cables, or four AAPs.



The **Cable Cubby 1200**, a slim, low-profile enclosure ideal for use in smaller tables, desks or study carrels, lecterns, and other work environments where surface space is at a premium.



The Cable Cubby 1200 accommodates one AC power module and up to four Retractors, eight AV cables, or three AAPs.

The **Cable Cubby 1400**, a unique double-sided enclosure ideal for use in applications where a centrally located enclosure is required to provide convenient access to AV connectivity and AC power from either side of a table or other work surface. Each side of the enclosure accommodates one AC power module and up to four Retractors, eight AV cables, or three AAPs.



## AC Power Modules Available for All Major World Markets

Cable Cubby Series/2 AC Power Modules are available for the US, Europe, and other major world markets. Most **AC 100 Series** AC Power Modules provide two unswitched AC outlets. To support the charging of smartphones, tablets, and other mobile devices in AV presentation environments, the optional **AC+USB 200 Series** Power Modules provide one or two AC power outlets, plus two 5 VDC USB power outlets with 2.1A / 10.5 watts of total power.

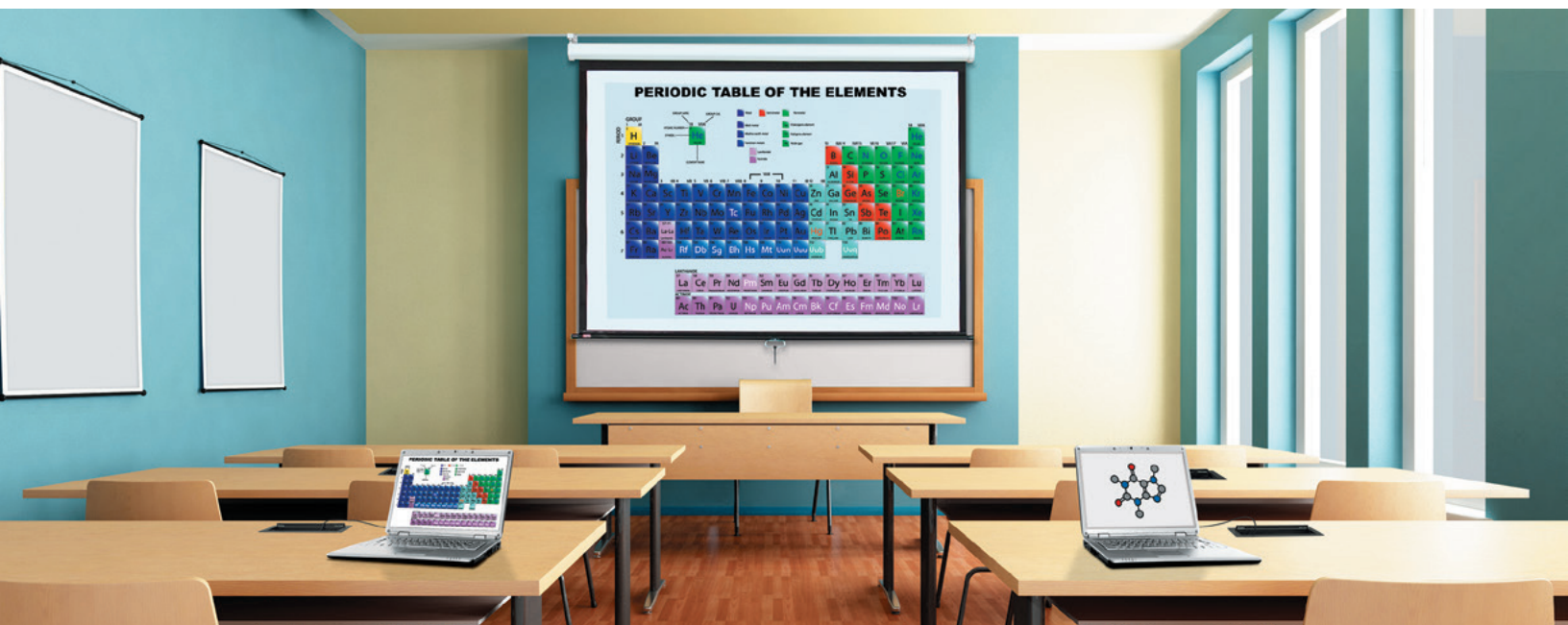


**AC+USB 222 US**

## Engineered for Fast Assembly and Installation

The versatile Cable Cubby Series/2 enclosures are engineered for fast assembly and installation on the job site. A simple, elegant integrated clamp system secures the enclosure to the furniture surface without the need for tools or additional parts. The enclosures are also equipped with lid dampers for smooth, quiet operation. The patented modular design allows the convenient installation or replacement of AV cables or AAPs from the top of the enclosure after installation.

The Cable Pass-Through Plate features a one piece, split-ring design that facilitates cable installation while eliminating the need for separate cable grommets. The AAP Plate also features a single-piece design that can be pre-populated and cabled before installation within the enclosure. Cable Cubby Series/2 enclosures are available in a black anodized or brushed aluminum finish to complement any room or furniture style.



# Overview

## Patented modular design

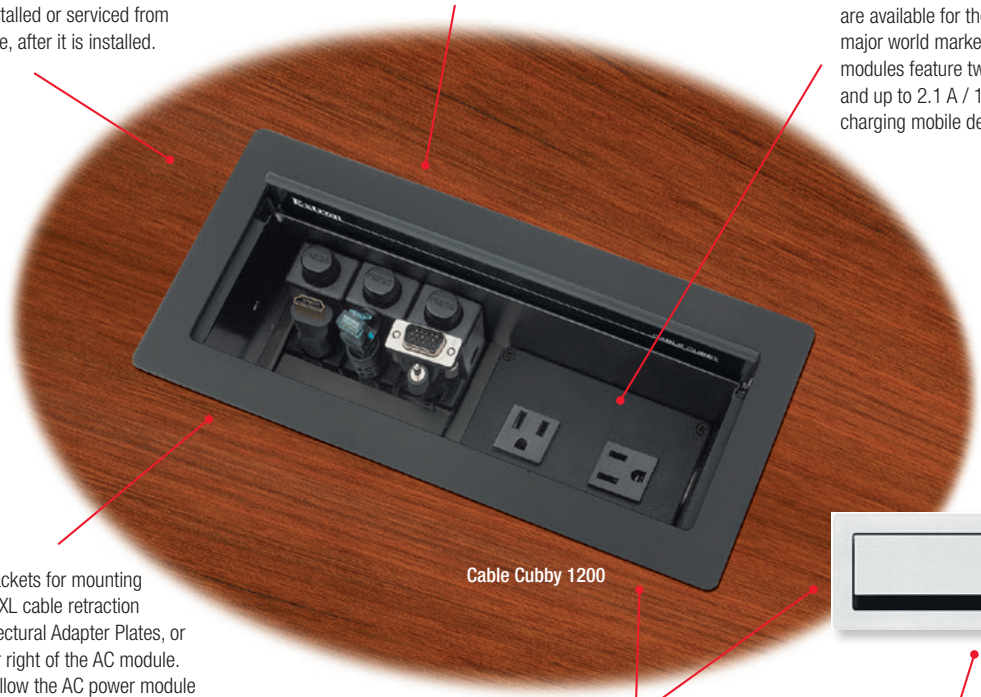
For fast assembly and serviceability, AV connectivity can be installed or serviced from the top of the enclosure, after it is installed.

## Supports a wide range of cable management applications

Cable Cubby Series/2 cable access enclosures offer a variety of sizes and configurations to support your cable management application.

## Choice of AC-only or AC+USB Power Modules

AC-only or AC+USB Power Modules are available for the US, Europe, and other major world markets. The available AC+USB modules feature two 5 VDC USB power outlets and up to 2.1 A / 10.5 watts of power for charging mobile devices.



Cable Cubby 1200

## AV connectivity

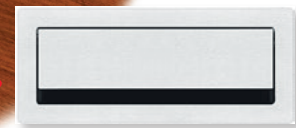
Enclosures include brackets for mounting Retractor or Retractor XL cable retraction modules, AAP - Architectural Adapter Plates, or AV cables to the left or right of the AC module. Optional bracket kits allow the AC power module to be mounted in the center of the enclosure for additional flexibility in configuring AV connectivity.

## Choice of black anodized or brushed aluminum finish

The top surface of Cable Cubby enclosures is designed to blend seamlessly with modern furniture and room decor.

## Low profile lid with full width cable pass-through

Provides convenient access to AV cables and AC power, whether open or closed.



## Integrated lid damper

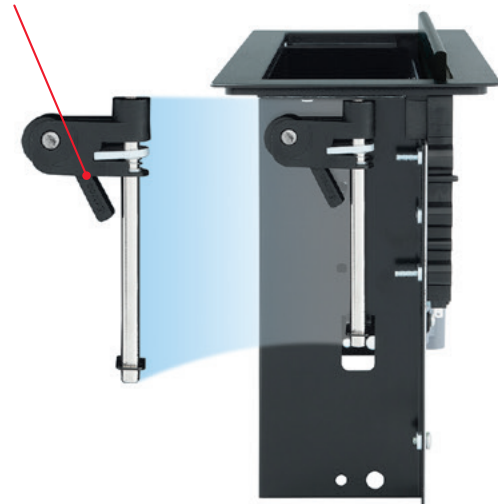
Lid dampers provide smooth, quiet operation, gently easing the lid into its open position.

## Integrated side clamps

A unique clamp mechanism secures the enclosure to the furniture surface without the need for tools or additional parts. Simply swivel the clamp into position and lock it in place.



Cable Cubby 1200



# Series/2 Enclosures

## Cable Cubby 500

### Series/2 Cable Access Enclosure for AV Connectivity and AC Power

**Enclosure Type:** Compact

**Capacity:** One AC power module +  
One Connectivity Bracket

#### Features

- Accommodates one Series/2 AC or AC+USB Power Module, plus three Retractors, four AV cables, or two AAP-Architectural Adapter Plates
- Includes one set of Retractor, Cable Pass-Through, and AAP brackets
- Cable Cubby 500 CCB features three raised buttons that provide convenient control of Extron switchers and other products with contact closure ports
- Choice of black or brushed aluminum finish
- Dimensions: 6.1" W x 6.1" D x 6.7" H (15.6 cm W x 15.6 cm D x 17 cm H)

Model	Version Description	Part Number
Cable Cubby 500	Black-with US AC Power Module	60-1404-02
Cable Cubby 500	Black-AC Module Not Included	70-1045-02
Cable Cubby 500	Brushed Aluminum-AC Module Not Included	70-1045-08
Cable Cubby 500 CCB	Black with 3 buttons-AC Module Not Included	70-1125-02
Routing Template	Routing Template for Cable Cubby 500	70-1048-80
Routing Template	Routing Template for Cable Cubby 500 CCB	70-1049-80



Cable Cubby 500 CCB

## Cable Cubby 700

### Series/2 Cable Access Enclosure for AV Connectivity and AC Power

**Enclosure Type:** Mid-size

**Capacity:** One AC power module +  
Two Connectivity Brackets

#### Features

- Accommodates one Series/2 AC or AC+USB Power Module, plus up to six Retractors, eight AV cables, or four AAP-Architectural Adapter Plates
- Includes two sets of Retractor, Cable Pass-Through, and AAP brackets
- Retractor, Cable Pass-Through, and AAP brackets can be combined with the enclosure to meet a variety of connectivity needs
- Choice of black or brushed aluminum finish
- Dimensions: 7.5" W x 6.1" D x 6.7" H (19.2 cm W x 15.6 cm D x 17 cm H)

Model	Version Description	Part Number
Cable Cubby 700	Black-with US AC Power Module	60-1405-02
Cable Cubby 700	Black-AC Module Not Included	70-1046-02
Cable Cubby 700	Brushed Aluminum-AC Module Not Included	70-1046-08
Routing Template	Routing Template for Cable Cubby 700	70-1049-80



# Series/2 Enclosures

## Cable Cubby 1200

### Series/2 Cable Access Enclosure for AV Connectivity and AC Power

**Enclosure Type:** Slim, low-profile

**Capacity:** One AC power module +  
One Connectivity Bracket

#### Features

- Accommodates one Series/2 AC or AC+USB Power Module, plus three Retractors, eight AV cables, or three AAP-Architectural Adapter Plates
- Includes one set of Retractor, Cable Pass-Through, and AAP brackets
- Optional Retractor and Cable Pass-Through Bracket Kits allow AV connectivity to be mounted at the outer edges of the enclosure
- Choice of black or brushed aluminum finish
- Dimensions: 10.32" W x 4.33" D x 6.50" H (26.2 cm W x 11 cm D x 16.5 cm H)

Model	Version Description	Part Number
Cable Cubby 1200	Black-with US AC Power Module	60-1397-02
Cable Cubby 1200	Black-AC Module Not Included	70-1037-02
Cable Cubby 1200	Brushed Aluminum-AC Module Not Included	70-1037-08
Routing Template	Routing Template for Cable Cubby 1200	70-1041-80



## Cable Cubby 1400

### Series/2 Cable Access Enclosure for AV Connectivity and AC Power

**Enclosure Type:** Double-sided

**Capacity:** Two AC power modules +  
Two Connectivity Brackets

#### Features

- Accommodates one Series/2 AC or AC+USB Power Module, plus up to six Retractors, sixteen AV cables, or six AAP-Architectural Adapter Plates
- Includes two sets of Retractor, Cable Pass-Through, and AAP brackets
- Optional Retractor and Cable Pass-Through Bracket Kits allow AV connectivity to be mounted at the outer edges of the enclosure
- Choice of black or brushed aluminum finish
- Dimensions: 10.32" W x 7.17" D x 6.50" H (26.2 cm W x 18.2 cm D x 16.5 cm H)

Model	Version Description	Part Number
Cable Cubby 1400	Black-with US AC Power Modules	60-1398-02
Cable Cubby 1400	Black-AC Module Not Included	70-1038-02
Cable Cubby 1400	Brushed Aluminum-AC Module Not Included	70-1038-08
Routing Template	Routing Template for Cable Cubby 1400	70-1042-80



# Series/2 Power Modules

## AC 100 Series

### AC Power Modules for Cable Cubby Series/2 Enclosures

The Extron AC 100 Series AC Power Modules are available with discrete AC power outlets for the US, Europe, and other major world markets. Most AC 100 Series power modules feature two unswitched AC power outlets; the South Africa module provides one switched AC power outlet. AC 100 Series power modules are UL/c-UL listed and CE compliant when installed.

#### Features

- Designed to work with Cable Cubby® Series/2 enclosures
- Most versions feature two unswitched AC power outlets
- South Africa module provides one switched AC power outlet
- Multi-Region AC outlet is compatible with a variety of AC plug types

Model	Version Description	Part Number
AC 102 US	(2) US Outlets	60-1385-01
AC 102 US	(2) US Outlets with Conduit	60-1385-20
AC 102 UK	(2) UK Outlets	60-1385-02
AC 102 EU	(2) Europe Outlets	60-1385-03
AC 102 AUS	(2) Australia Outlets	60-1385-04
AC 102 SW	(2) Switzerland Outlets	60-1385-05
AC 102 FR	(2) France Outlets	60-1385-06
AC 102 IT	(2) Italy Outlets	60-1385-07
AC 101 SA	(1) South Africa Outlet	60-1385-08
AC 102 DK	(2) Denmark Outlets	60-1385-09
AC 102 MULTI	(2) Multi-Region Outlets	60-1385-10
AC 102 CN	(2) China Outlets	60-1385-11
AC 102 BR	(2) Brazil Outlets	60-1385-13



AC 102 US



AC+USB 222 US

## AC+USB 200 Series

### AC+USB Power Modules for Cable Cubby Series/2 Enclosures

The Extron AC+USB 200 Series Power Modules feature one or two unswitched AC power outlets, and two USB power outlets that provide +5VDC and up to 2.1A / 10.5 watts of USB power for charging mobile devices such as smartphones and tablets. The USB power outlets can deliver full power to either USB outlet when only one device is connected. An energy-efficient external universal power supply is included for the USB outlets. AC+USB 200 Series power modules are UL/c-UL listed and CE compliant when installed.

#### Features

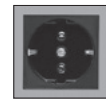
- Designed to work with Cable Cubby® Series/2 enclosures
- Most versions feature one unswitched AC power outlet
- Provides two 5 VDC USB power outlets and up to 2.1 A / 10.5 watts of power for charging iOS and Android phones or tablets
- UL/c-UL listed and CE compliant when installed
- Energy-efficient external universal power supply included for USB charger

Model	Version Description	Part Number
AC+USB 222 US	US (2) AC & (2) USB Outlets	60-1384-01
AC+USB 222 US	US (2) AC & (2) USB Outlets Conduit	60-1384-20
AC+USB 212 UK	UK (1) AC & (2) USB Outlets	60-1384-02
AC+USB 212 EU	Europe (1) AC & (2) USB Outlets	60-1384-03
AC+USB 212 AUS	Australia (1) AC & (2) USB Outlets	60-1384-04
AC+USB 212 SW	Switzerland (1) AC & (2) USB Outlets	60-1384-05
AC+USB 212 FR	France (1) AC & (2) USB Outlets	60-1384-06
AC+USB 212 IT	Italy (1) AC & (2) USB Outlets	60-1384-07
AC+USB 212 DK	Denmark (1) AC & (2) USB Outlets	60-1384-09
AC+USB 212 MULTI	Multi-Region (1) AC & (2) USB Outlets	60-1384-10
AC+USB 212 CN	China (1) AC & (2) USB Outlets	60-1384-11

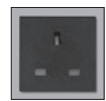
## AVAILABLE POWER MODULES



US



Central Europe



UK



France



Switzerland



Italy



Denmark



Australia



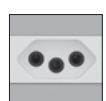
South Africa



Multi-Region



China



Brazil

# Optional Accessories

## Retractor Series/2 Cable Retraction System for Cable Cubby® Enclosures

The Extron Retractor Series/2 is a patented, variable-speed cable retraction and management system designed to work with Cable Cubby Series/2 and TouchLink Cable Cubby cable access enclosures. Retractor Series/2 modules are available to support most AV and data signal types, including HDMI, DisplayPort, VGA, Network, PC Audio, and USB. Cables extend up to five feet (152 cm) and are held securely in place at the desired length. The cables retract at the press of a button, with integrator-adjustable retraction speed control for smooth operation in both horizontal and vertical mounting orientations.

### Features

- Holds cable securely in place at a user-defined length
- Simple push-button release retracts cable into Cable Cubby enclosure after use
- Available in a variety of commonly used AV and data connectors
- Retractor DC extends DC power for many Dell, HP, and Compaq PCs, while Lenovo DC is compatible with select Lenovo laptops
- Optional horizontal mounting bracket supports up to three Retractor modules
- Optional filler modules with cable pass-through available



### AVAILABLE RETRACTOR SIGNAL TYPES



HDMI



DisplayPort



Network



VGA



PC Audio



USB



DC Power

## Retractor Series/2 Cable Retraction System

### Unique Feature

- Cables extend up to 3 feet (90 cm)
- Provides 6 foot (1.8 m) pigtail for connecting to other AV products

Model	Version Description	Part Number
Retractor Series/2 VGA	VGA; 3 feet (90 cm)	70-1065-01
Retractor Series/2 PC Audio	3.5 mm Stereo Audio; 3 feet (90 cm)	70-1065-02
Retractor Series/2 Network	Network CAT6e; 3 feet (90 cm)	70-1065-03
Retractor Series/2 HDMI	HDMI; 3 feet (90 cm)	70-1065-04
Retractor Series/2 USB	USB A to USB A; 3 feet (90 cm)	70-1065-05
Retractor Series/2 Mini DisplayPort-DisplayPort	Mini DP to DP; 3 feet (90 cm)	70-1065-18
Retractor Series/2 DisplayPort	DisplayPort; 3 feet (90 cm)	70-1065-07
Retractor Series/2 Lenovo DC	Lenovo DC Power Extension; 3 feet (90 cm)	70-1065-09
Retractor Series/2 DC	DC Power Extension: Dell, HP, other PCs; 3 feet (90 cm)	70-1065-10
Retractor Series/2 VGA-A	VGA & Stereo, 3 feet (90 cm)	70-1065-11
Retractor Filler Module	With Blank & Cable Pass-through plates	70-1065-35
Retractor Horizontal Bracket Kit	Holds 3 Retractors	70-678-00

## Retractor Series/2 XL Extended Length Cable Retraction System

### Unique Feature

- Cables extend up to 5 feet (152 cm)
- Provides 4 foot (1.2 m) pigtail for connecting to other AV products

Model	Version Description	Part Number
Retractor Series/2 XL VGA	VGA; 5 feet (152 cm)	70-1066-01
Retractor Series/2 XL PC Audio	3.5 mm Stereo Audio; 5 feet (152 cm)	70-1066-02
Retractor Series/2 XL Network	Network CAT6e; 5 feet (152 cm)	70-1066-03
Retractor Series/2 XL HDMI	HDMI; 5 feet (152 cm)	70-1066-04
Retractor Series/2 XL USB	USB A to USB A; 5 feet (152 cm)	70-1066-05
Retractor Series/2 XL Mini DisplayPort-DisplayPort	Mini DP to DP; 5 feet (152 cm)	70-1066-18
Retractor Series/2 XL DisplayPort	DisplayPort; 5 feet (152 cm)	70-1066-07
Retractor Series/2 XL Lenovo DC	Lenovo DC Power Extension; 5 feet (152 cm)	70-1066-09
Retractor Series/2 XL DC	DC Power Extension: Dell, HP, other PCs; 5 feet (152 cm)	70-1066-10
Retractor Series/2 XL VGA-A	VGA & Stereo; 5 feet (152 cm)	70-1066-11
Retractor Filler Module	With Blank & Cable Pass-through Plates	70-1065-35
Retractor Horizontal Bracket Kit	Holds 3 Retractors	70-678-00



# Optional Accessories

## Cable Cubby Series/2 Connectivity Brackets

### Supplemental AV Connectivity Brackets for Cable Cubby® Series/2 Enclosures

Cable Cubby Series/2 Connectivity Bracket Kits provide additional flexibility when configuring a Cable Cubby Series/2 Cable Access Enclosure. Four kits are available to meet a variety of enclosure configurations and AV connectivity needs. The Bracket Kits supplement the Cable Pass-Through, AAP – Architectural Adapter Plate and Retractor mounting brackets that are included with most enclosures.

Model	Version Description	Part Number	Model	Version Description	Part Number
Cable/AAP Bracket Kit	8 AV &/or SM cable, or 3 AAP fit 500/700/1200/1400	70-1039-01	Cable Bracket Kit – Quad	4 Cable bracket, fits 1200/1400; pair	70-1040-01
Retractor Bracket Kit – Triple	3 Retractor, fits 1200/1400	70-1039-02	Retractor Bracket Kit – Double	2 Retractor bracket, fits 1200/1400; pair	70-1040-02



Cable Bracket Installed in Cable Cubby 1200



Retractor Bracket Installed in Cable Cubby 1200

## CableCover

### Under-Table Cable Bag for Cable Cubby Series/2 Enclosures

The Extron CableCover is a durable, fitted bag that mounts below most Cable Cubby Series/2 enclosures. When installed, CableCover improves under-table cable management and aesthetics, minimizing cable tangles and preventing accidental disconnections. CableCover is 19" (48cm) deep, providing ample room for up to eight AV cables or three Extron Retractor Series/2 cable retraction modules. Simple pass-through openings at the top and bottom of the bag facilitate cable installation and connection with both surface- and floor-mounted AV products. CableCover is available in black and includes a roll of self-adhesive, hook-and-loop tape for mounting to the enclosure.

MODEL	COMPATIBLE	NOTES
Cable Cubby 500	✓	Minor adjustment required
Cable Cubby 700	✓	
Cable Cubby 1200	✓	
Cable Cubby 1400	✓	(2) required; one per side
Cable Cubby 202	✗	Not Recommended



## CABLE CUBBY BUILDER

The Extron Cable Cubby Builder, available online at [www.extron.com/cable-cubby-builder](http://www.extron.com/cable-cubby-builder), is an interactive, drag-and-drop, online tool for designing and customizing Cable Cubby Series/2 Cable Access Enclosures for AV Connectivity and AC Power. After selecting the Cable Cubby enclosure and finish, users can easily add power, Cables, Retractors, Architectural Adapter Plates – AAPs, and optional accessories. As you build your Cable Cubby, a bill of materials is prepared automatically, and when you're done, the Builder allows you to review your Cable Cubby and make any last minute changes before placing your order (dealer login required).





# Cable Cubby 202



The Extron **Cable Cubby® 202** is a compact cable access enclosure with one fixed, unswitched AC outlet and a removable Cable Pass-Through Bracket that accommodates up to four AV cables. The modular design allows cables to be installed or serviced from the top of the enclosure, after it's installed. Optional bracket kits are available to support up to three Extron Retractor cable retraction modules or two single-space AAPs for alternate connectivity needs.

For ease of installation, the Cable Cubby 202 features a hidden, integrated clamp system that quickly secures the enclosure to the furniture surface with common hand tools. The tilt-up lid is held open by a small magnetic catch, facilitating use of the Cable Cubby 202 in both horizontal and vertical mounting orientations. When closed, the lid provides a single, full width cable pass-through.

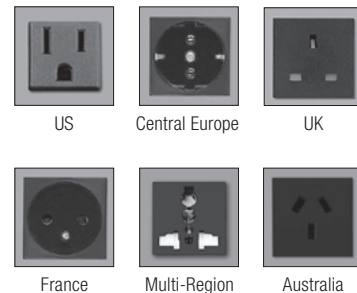
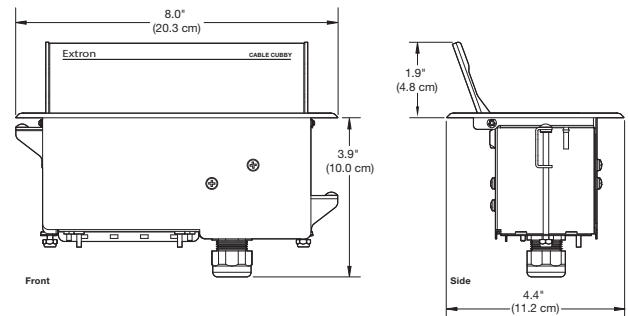
The Cable Cubby 202 is available with AC outlets for the US, Europe, and other world markets. The US model also includes an opening for one MAAP - Mini Architectural Adapter Plate, such as a momentary switch or USB pass-through connector. The Cable Cubby 202 is available in a durable black powder coat finish.

## KEY FEATURES

- ▶ Includes one unswitched AC power outlet and Cable Pass-Through Bracket for up to four AV cables
- ▶ UL/c-UL listed and CE compliant
- ▶ Hidden, integrated clamp system secures the enclosure with common hand tools
- ▶ Tilt-up lid and full-width cable pass-through for convenient access to AV and power
- ▶ A magnetic catch holds the lid open in any orientation
- ▶ Unique, split-ring bracket design allows cables to be installed or serviced from the top of the enclosure, after it's installed
- ▶ Optional Retractor and AAP - Architectural Adapter Plate Bracket Kits also available
- ▶ US version also accommodates one single-space MAAP - Mini Architectural Adapter Plate; sold separately

## GENERAL

<b>Power output</b>	
US AC module	125 VAC, 50-60 Hz, 12 A max total
Non-US AC module	240 VAC, 50-60 Hz, 10 A max total
<b>Mounting</b>	
Furniture mount	Yes
<b>Min./max. table thickness</b>	0.25" to 1.75" (0.6 cm to 4.4 cm)
<b>Enclosure type</b>	Metal
<b>Enclosure dimensions</b>	
Top plate (outer rim)	8.0" L x 4.4" W (20.3 cm L x 11.2 cm W)
Surface cutout (inside rim)	7.0" L x 3.25" W (17.8 cm L x 8.3 cm W)
Enclosure Depth	3.9" H (10.0 cm H)
<b>Product weight</b>	2.5 lbs (1.1 kg)
<b>Shipping weight</b>	4 lbs (2 kg)
<b>Vibration</b>	ISTA 1A in carton (International Safe Transit Association)
<b>Regulatory compliance</b>	
<b>Safety</b>	UL, c-UL, CE
<b>Environmental</b>	Complies with the appropriate requirements of RoHS, WEEE
<b>Warranty</b>	3 years parts and labor



Model	Version Description	Part number
Cable Cubby 202 US	One US Outlet	60-1399-02
Cable Cubby 202 EU	One EU Outlet	60-1400-02
Cable Cubby 202 AUS	One AUS Outlet	60-1402-02
Cable Cubby 202 UK	One UK Outlet	60-1425-02
Cable Cubby 202 FR	One France Outlet	60-1401-02
Cable Cubby 202 MULTI	One Multi-Region Outlet	60-1403-02

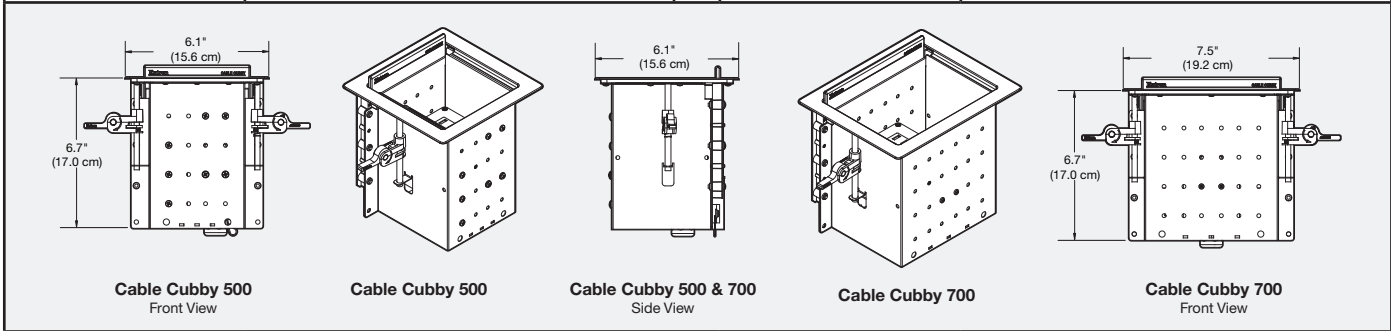
## Optional Accessories

Model	Part number
Cable Cubby 202 Routing Template	70-1044-80
Cable Cubby 202 AAP Bracket Kit	70-1043-01
Cable Cubby 202 Retractor Bracket Kit	70-1043-02
MAAP: One Contact Closure Switch	70-1077-02
MAAP: One USB A-A on 10" Pigtail	70-455-12
MAAP: One USB A-B on 10" Pigtail	70-383-12

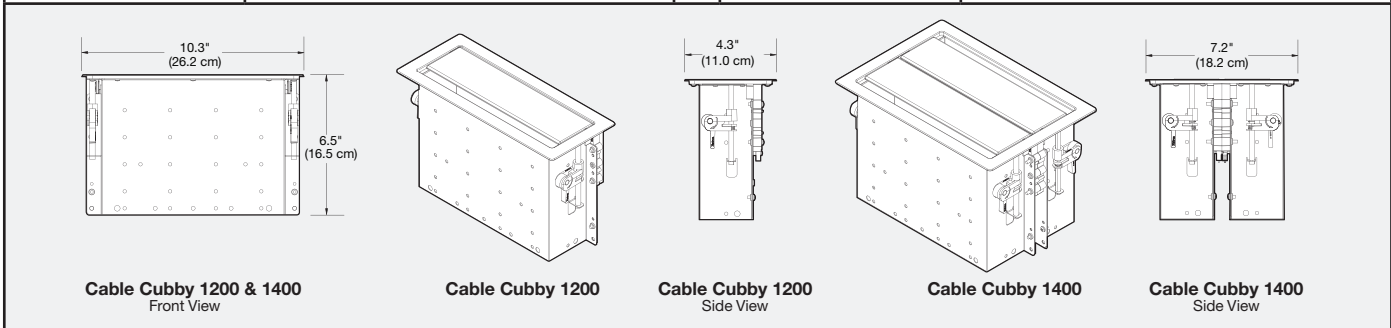
For complete specifications, please go to [www.extron.com](http://www.extron.com)  
Specifications are subject to change without notice.

# Specifications

Cable Cubby 500		Cable Cubby 700	
Min./Max. table thickness	0.50" to 2.50" (1.3 to 6.4 cm)	Min./Max. table thickness	0.50" to 2.50" (1.3 to 6.4 cm)
Enclosure type	Metal	Enclosure type	Metal
Enclosure dimensions		Enclosure dimensions	
Top plate (outer rim)	6.1" W x 6.1" D (15.6 cm W x 15.6 cm D)	Top plate (outer rim)	7.5" W x 6.1" D (19.2 cm W x 15.6 cm D)
Surface cutout (inside rim)	5.8" W x 5.8" D (14.6 cm W x 14.6 cm D)	Surface cutout (inside rim)	7.1" W x 5.8" D (18.1 cm W x 14.6 cm D)
Enclosure Depth	6.7" H (17.0 cm H)	Enclosure Depth	6.7" H (17.0 cm H)
Product weight	3.8 lbs. (1.7 kg)	Product weight	4.2 lbs. (1.9 kg)
Shipping weight	6.0 lbs. (2.7 kg)	Shipping weight	6.0 lbs. (2.7 kg)
Vibration	ISTA 1A in carton (International Safe Transit Association)	Vibration	ISTA 1A in carton (International Safe Transit Association)
Regulatory compliance	CE, c-UL, UL	Regulatory compliance	CE, c-UL, UL
Warranty	3 years parts and labor	Warranty	3 years parts and labor



Cable Cubby 1200		Cable Cubby 1400	
Min./Max. table thickness	0.50" to 2.50" (1.3 to 6.4 cm)	Min./Max. table thickness	0.50" to 2.50" (1.3 to 6.4 cm)
Enclosure type	Metal	Enclosure type	Metal
Enclosure dimensions		Enclosure dimensions	
Top plate (outer rim)	10.32" W x 4.33" D (26.21 cm W x 11.00 cm D)	Top plate (outer rim)	10.32" W x 7.17" D (26.21 cm W x 18.21 cm D)
Surface cutout (inside rim)	10.00" W x 4.00" D (25.40 cm W x 10.16 cm D)	Surface cutout (inside rim)	10.00" W x 6.75" D (25.40 cm W x 17.14 cm D)
Enclosure Depth	6.50" H (16.51 cm H)	Enclosure Depth	6.50" H (16.51 cm H)
Product weight	6.9 lbs (3.1 kg)	Product weight	10.2 lbs (4.6 kg)
Shipping weight	7 lbs (4 kg)	Shipping weight	11 lbs (5 kg)
Vibration	ISTA 1A in carton (International Safe Transit Association)	Vibration	ISTA 1A in carton (International Safe Transit Association)
Regulatory compliance	CE, c-UL, UL	Regulatory compliance	CE, c-UL, UL
Warranty	3 years parts and labor	Warranty	3 years parts and labor



For complete specifications, please go to [www.extron.com](http://www.extron.com)

## WORLDWIDE SALES OFFICES

Anaheim • Raleigh • Silicon Valley • Dallas • New York • Washington, DC • Toronto • Mexico City • Paris • London • Frankfurt  
 Madrid • Stockholm • Amersfoort • Moscow • Dubai • Johannesburg • Tel Aviv • Sydney • Melbourne  
 New Delhi • Bangalore • Singapore • Seoul • Shanghai • Beijing • Hong Kong • Tokyo

[www.extron.com](http://www.extron.com)