

**Balances & Accessories**

Andersen	38
Channel	4 - 27
Constant Force / Tube	28-39
Sash Pulleys & Accessories	39
Tape	40
Window Channel (Jambliners)	119
<b>Biltbest</b>	<b>57</b>
Casement Adjusters/Clerestory Cranks	65
Chair Glides	239
Closet Door Hardware	182-192
Corner & Tilt Keys	130-132
Door Closers (Commercial)	169-172
Door Holders / Bumpers	174
Four Seasons Slider Hardware	103
Glazing Bead, Channel & Spline	118-123
Grab Bars	198
Grille Fasteners	136
<b>Handles</b>	
Cam / Fasteners	82-94
Crank	65
Casement Locking	53, 95-96
Casement Sash Locks	97
Truth	53, 94
Hinges	108-113,116
Hinges, Truth / Anderberg	108-111, 113,117
Horizontal Slider Hardware	101-105
Keepers (Window)	94, 98
Keepers (Truth)	98
Limit Devices	117
Limit Devices, Truth	114-115
Locker Hardware	233-238
Lubricants	240-241
<b>Operators</b>	
Andersen	51,55,59
Awning	55-56,60-61,63-64
Biltbest	57
Casement	46-52,55,60,61
Motorized / Skylight	70-77
Pella	51,55,59
Truth	48-52,59-64
Ordering/Manufacturing	3, 243
Panic Exit Devices	173

**Patio Door Hardware**

Handles	146-150
Keepers	151
Locks	138
Rollers	156-158
Roller Assemblies	160-167

Thresholds	168
Patio Door Track	144
Patio Screen Door Guides	156-158
Patio Screen Door Latches	152-155
Patio Screen Doors/Grills	139-144
Pressure Shoes & Housings	106-107
Push Bars	78-81
Push Bars, Truth / Anderberg / Superior	80-81
Sash Locks	58, 97
Screen Hardware	125, 127-129
Screen Spline	126
Screen Tools & Other	127
<b>Screen Wire</b>	
Insect Screen / Frames	125, 137
Pet Screen	124
Solar Screen	124
Screens, Custom	125, 129, 137
Screens, Security	138
Security Hardware	175,181
Shower Door Hardware	159
Shutter & Period Hardware	178
Slide Bolts	132
Spring Catches	99
Stair Treads	179-180
Storm Door Hardware	133-135
Sweep Latches	100
Sweep Latches, Truth	100
Tilt Latches	41-45
Tilt Keys	130-132
Toilet Partitions & Hardware	193-232
Track (Window)	54
Transom Lifter	94
Venetian Blind Hardware	177
Vent Arms	116
Weatherstripping (Window & Door)	126,176

**National Distributor & Supplier For:**



All American

Amesbury/

Balance Systems

Anderberg

Andersen

Bayley

Caldwell

Ceco

Crestline

Crittall

Curtis

Detroit

Dorma

Fenestra

Getty

Hopes

International

Kawneer

Lupton

Mason

Miami

Phifer

Pella

Republic Steel

Reynolds

Standard-Keil

Stanley

Superior

Thorn

Truscon

Truth

Ualco

Valley Metals

& More

CALDWELL

**Jim Walter**  
window components

**Wright Products**



If you don't see the parts you need on the following pages, please SEND A SAMPLE for identification!

## Ordering Information / Index

### Ordering Information

**Toll Free Express Ordering:** Customers may place express orders by calling 800-678-1919 (from continental U.S.) from 8 a.m. - 5 p.m. eastern time, Monday through Friday.

**Ordering Information:** Our catalog has been designed to make ordering as easy as possible. It is not possible to list all of the items available through Blaine. If you need items, that do not appear in our catalog, please send a sample to our Research Department at 17319 Blaine Drive, Hagerstown, Md 21740-2394. To help expedite your orders, please use our part numbers, quantities required and include your account number, if possible, on your purchase orders.

**Delivery Status:** Any delivery dates set forth by Blaine Window are estimates only and are not intended as a guarantee of date of delivery. Our pledge is for quick and efficient processing of your order. However, due to the nature of our business, stock shortages may occur from time to time. Items will remain on back-order until shipped. Blaine Window Hardware will not be liable for any delay in delivery or failure to deliver any or all of the goods in case such delay results from causes beyond our control. Order status may be obtained by calling our office at 800-678-1919.

**Damages / Shortages:** All material, in transit, is the property of the buyer and buyer assumes all responsibility for filing claims and damages. **Please inspect all freight for visible damage prior to accepting. Do not accept cartons which show damage or are open. Claims for concealed damage must be made by the buyer, with the carrier, within ten (10) working days.**

Original shipping carton must be retained.

Shortages must be reported to us at 800-678-1919 within ten (10) working days.

**Returns:** All returns / exchanges must be made within 30 days from receipt of material. Authorization numbers are available by calling us at 800-678-1919. All authorization numbers must appear on the outside of the carton and merchandise must be shipped prepaid to our warehouse. Shipping charges will not be credited on returns unless authorized in writing by Customer Service. Any unauthorized returns will be refused. A restocking fee of 25% will be charged for returns when the customer ordered incorrectly. We strongly urge you to send a sample to eliminate doubt when placing orders. Special order or custom made parts are not returnable unless defective.

### Terms & Conditions

**Credit Policy:** Terms are net 30 days for open account customers. All other orders must be pre-paid or shipped C.O.D. unless otherwise specified. Partial payment in advance may be required with an order. We accept all major credit cards.

**C.O.D.:** Orders may be shipped on a Cash on Delivery (C.O.D.) basis. Our Accounting Department may require cash, cashiers check, certified check or money order for payment. The current U.P.S. C.O.D. charge is \$9.00 per carton. The refusal of a C.O.D. shipment, for any reason other than apparent damage may cause your account to be coded cash in advance only.

**Special Orders:** Non stock parts (special orders) may require a minimum order quantity.

**Stock Parts :** For orders less than \$25.00, there will be a \$5.00 processing fee.

**Freight:** All shipments will be made by the carrier of our choice, usually U.P.S. or Post Office., unless specified otherwise. We also offer UPS Next Day and Second Day service when requested. This customer is responsible for all shipping charges unless otherwise specified. Common carrier service is also available. A \$8.50 minimum shipping and handling charge is applied to each order. Actual shipping charges will be added when minimum is exceeded.

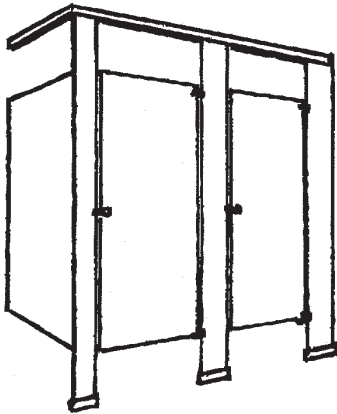
**State Sales Tax:** Customers exempt from state sales tax must provide a certificate of exemption with initial order.

**Samples:** Can be sent to our Research Department or e-mail photos to: [blainehdw@aol.com](mailto:blainehdw@aol.com)

### INDEX

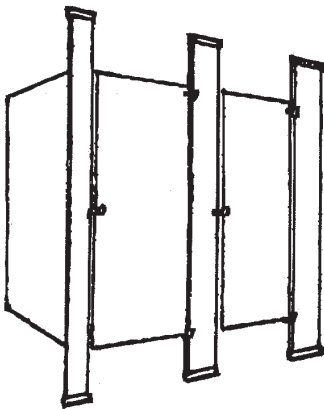
Accessories.....	6	Global Steel Hardware.....	41 - 42
Accurate Parts.....	37	Grab Bars.....	9
Alcove Clips & End Plugs.....	33	Hadrian Hardware.....	42
All American Parts.....	37	Headrail Brackets.....	34
American Sanitary Parts.....	37	Hooks & Latches.....	45
AMPCO.....	37 - 38	Knickerbocker Hardware.....	42
Bobrick Parts.....	38	Metpar Hardware.....	42 - 43
Cams, Pintles & Hinge Pins.....	46	Mills Hardware.....	43
Color Charts.....	22 - 24	New Items.....	47
Columbia Parts.....	38	Pilaster Post Anchoring Packs.....	31
Compartments Construction.....	3 - 5	Pilaster Shoes & Anchoring Devices.....	30
Plastic Laminate, Solid Plastic, Steel Powder Coat		Pre-packaged Hardware.....	14 - 15
Comres Manufacturing.....	39	Alcove, Angle, Headrail & Urinal Brackets	
Comtec Hardware.....	39	Panel & Pilaster Packs	
Concealed Latches & Knobs.....	29	Quick Fix & latch Repair Kits.....	45
Door Hardware.....	10 - 11	Santana Hardware.....	44
Inswing & Outswing		Sanymetal Hardware.....	44
Top & Bottom Hinges		Shanahan Hardware.....	44
Door Inserts.....	32	Screw Packs & Fasteners.....	35
Door Pull Fix ItKits.....	29	Strikes & Keepers.....	20 - 21
Door Stops.....	27	Surface Mounted Hinges.....	19
Door Packs, Surface Mounted.....	12 - 13	Toilet Partition Size Information.....	7
Entry & Urinal Screens Size Information.....	7	Toilet Partition Layouts.....	8
Fasteners.....	35 - 36	Wall Brackets.....	16 - 18
Fiat.....	39	Wrap Around Gravity Pivot Hinges.....	25 - 26
Flush Metal Hardware.....	40		
General Partition.....	40 - 41		

**Construction Styles of Toilet Compartments**



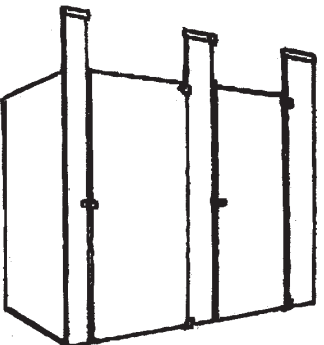
**HEADRAIL BRACED  
(Most Popular)**

For easy, economical installations, the headrail braced is a great choice. This unit requires no special floor construction; therefore, it can be used in new or old buildings.



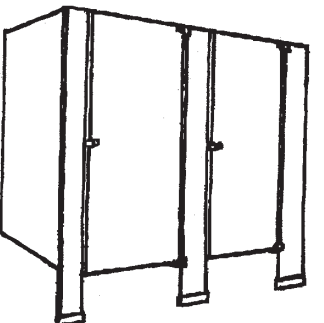
**FLOOR TO CEILING**

Floor to ceiling is recommended for all areas subject to heavy usage. For problem areas we recommend the use of full length aluminum brackets and hinges.



**CEILING HUNG**

Ceiling hung partitions combine functional styling with an unobstructed floor area which simplifies cleaning and reduces the cost of maintenance.



**FLOOR SUPPORTED**

Floor supported partitions have the same functional lines as ceiling hung partitions without the top structure.

Comtec's solid plastic compartments come closer to being totally maintenance free than any other toilet compartments on the market today.

**Comtec** is a seamless, one piece, solid homogenous polymer resin sheet produced under heat and high pressure.

The compartment panels, doors and pilasters are manufactured to handle the toughest requirements and meet construction needs. The texture gloss finish is an ideal material for applications from toilet compartment systems to dressing room compartments with an emphasis on the needs of the handicapped.

**Comtec** is exceptionally resistant to marking by pens, cosmetics, pencils, most markers and paints. . . easily cleaned using a non-abrasive Industrial-Strength detergent.

**Comtec** sheets and compartments are available to meet a wide range of applications including vanity tops, benches and other related products.

**Comtec** products and systems are designed to hold-up under the toughest of conditions and environments with little or NO maintenance. The products and materials are designed and engineered to withstand the most rigorous use and will maintain the "Same Quality Appearance" as the day they were installed.

**GRAFFITI RESISTANT**

Applications - Ideal for wet, corrosive areas that receive high use including schools, parks, gas stations, amusement areas, swimming pools and factories.

**ASTME 84 TESTED CLASS "A"  
MATERIAL AVAILABLE**

**COST EFFECTIVE**

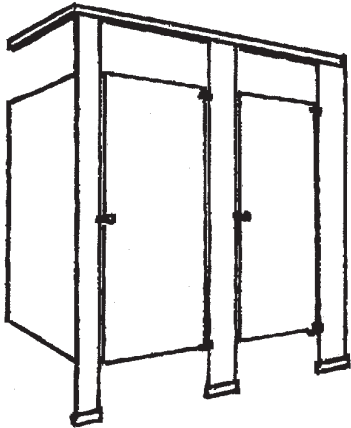
Comtec compartments are a cost effective solution for public restroom construction and replacement . . . saving maintenance dollars.

**LOW MAINTENANCE**

Comtec compartments are designed to be a low maintenance system and provide an attractive design feature to building maintenance engineers. The protective finish of Comtec is self lubricating and resists ink, pencil, cosmetics and most other instruments. In most instances, stains and marks can be easily removed with a common industrial cleaner. The color of the compartment is homogeneously compounded throughout the material. (Paint will not adhere to the surface of Comtec). Excessive moisture, corrosion from steam cleaning or pressure hose methods of maintenance will not harm Comtec.

**COMTEC / CAPITOL GUARANTEE**  
Comtec/Capitol guarantees its panels against breakage, corrosion and delamination for 15 years from the date of receipt by the customer  
(Labor not included in Comtec Warranty)

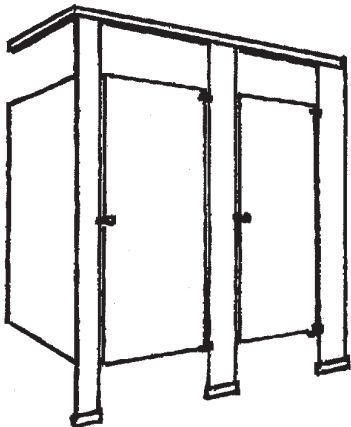
Plastic laminate products provide the best solution when durability and beauty are required. They provide architects and designers unlimited color and pattern selection, combined with graffiti resistance, ease of maintenance and durability.



Available in four construction styles - headrail braced, ceiling hung, floor to ceiling and floor supported. Color to be selected from manufacturer's stand charts for this product.

### Sunlight (quick ship series)

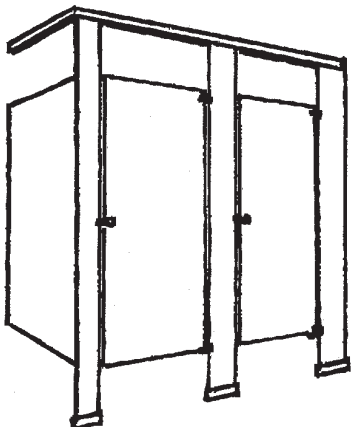
Quick ship series compartments are ideal for projects requiring immediate shipment. Customers doing renovations, tenant work and fast tract projects can rely on a complete inventory of items and the most dependable delivery in the industry. We offer 3 neutral colors to complement any restroom design. Panels and doors have a thickness of 7/8" and pilasters are 1-1/4" thick. Standard hardware is chrome plated institutional quality. Stainless steel hardware, chrome plated brass and continuous hardware are available as an extra cost option (selection of optional hardware may increase delivery times). Unlike many companies, the quick shipment of this series compartment is offered at no extra cost, and this product is also priced economically, making it a great value.



Available in four construction styles - headrail braced, ceiling hung, floor to ceiling and floor supported. Color to be selected from manufacturer's stand charts for this product.

### Sunburst (special order series)

Special order series compartments set the architectural standard by offering unlimited color flexibility combined with the finest quality product line. Special order series compartments are the ideal solution for all types of public facilities. Several hundred colors and patterns are available enabling architects and designers the ability to use durable plastic laminates without compromising color designs. Panels and doors are a full 1 inch thick and pilasters are 1-1/4" thick. Standard hardware is chrome plated institutional quality. Stainless steel hardware, chrome plated brass hardware, and continuous hardware are available at extra cost. Our lead times for this product line are the quickest in the industry. Over the years we have proven our ability to produce special orders quickly without unnecessary up charges. Better service, enhanced color selection and quick delivery do not translate to extended lead times and higher costs with this series.



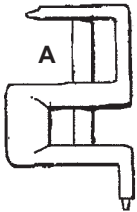
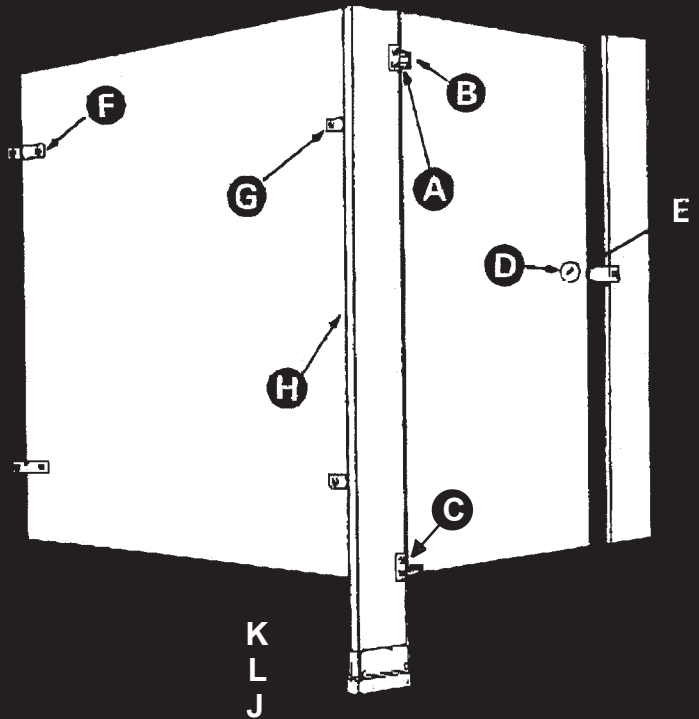
Available in four construction styles - headrail braced, ceiling hung, floor to ceiling and floor supported. Color to be selected from manufacturer's stand charts for this product.

### Eclipse (phenolic core compartments)

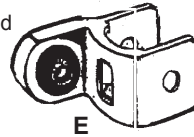
Phenolic material is a solid plastic material made of laminate color sheets thermally fused to a phenolic core. The color sheets are fused under heat and pressure to the core to form a solid sheet. Solid core products are ideal for areas that require extreme durability. Virtually unbreakable and waterproof, they can be used in wet areas or areas that require hose down cleaning. Abusive areas can rely on the strength of the core to eliminate breakage. Unlike other solid plastic materials, color selection is unlimited. The same range of colors and patterns are available for phenolic that are available for any plastic laminate. With unlimited color selection, architects and designers can achieve the color coordination in their designs without sacrificing the desirable properties of a solid plastic. Doors and pilasters are 3/4" thick and panels are 1/2" thick. Standard hardware is stainless steel. Continuous stainless and continuous aluminum brackets and hinges are available as an extra cost option.

**FEATURES**

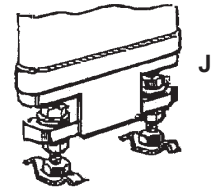
1. All partitions have welded construction on perimeters and corners.
2. For protection against rust, all steel is galvanized and bonderized with .00015 zinc coating.
3. All hardware is heavy Zamac castings, chrome plated. Brass available at extra charge as specified.
4. All parts are pre drilled for ease of installation.



**A.** Upper door bracket and stainless steel pin. This is a heavy Zamac casting made an integral part of the door as it is inbedded with in pre-formed abscesses. The stainless steel pin goes through door and brack for three-point bearings. Operates in a zytel self-lubricating bushing.



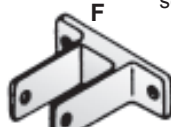
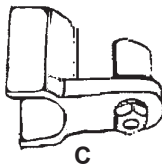
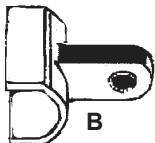
**E.** Doorstrike and keeper. Heavy Zamac No. 3 chrome plated castings with a wrap around flange for maximum durability that is through bolted with one way theft proof screws.



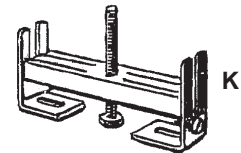
**J.** Carrying member for Type aamco Floor supported is a 1/2" x 1" solid bar for maximum strength and durability. This saves installation time and assures a plumb and long lasting installation.

**B.** Top hinge bracket  
**C.** Bottom hinge bracket

These are heavy Zamac No. 3 castings, chrome plated with a 5/8" flange which wraps around the pilaster for maximum strength. Hinge brackets are through-bolted with one way, theft-proof screws. The bottom hinge works on opposing zytel cams which are self lubricating to insure trouble free operation and quiet action.



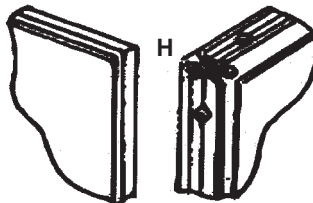
**F.** Wall bracket and **G.** Pilaster brackets are heavy Zamac No. 3 chrome plated castings or anodized aluminum.



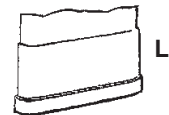
**K.** Jack-leveling device for Type aamco Headrail Braced is used as standard. Heavy-duty bolt provides loadbearing and a permanent base for panels and pilaster with the use of levelling screws. This saves installation time and assures a plumb and long lasting installation.



**D.** Concealed latch and emergency cover plate. Latch has a fully concealed case made of Zamac No. 3 castings with stainless steel bolt and mortised face plates fully tamper and theft proof. Cover plate is a Zamac No. 3 chrome plated casting which snaps in place. This has a slot for emergency entrance feature as standard.










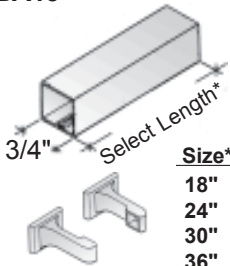


**H.** Welded construction. We weld the doors and pilasters 18" on center around the entire perimeter for maximum strength and durability. We weld and grind all corners. No corner clips are used.



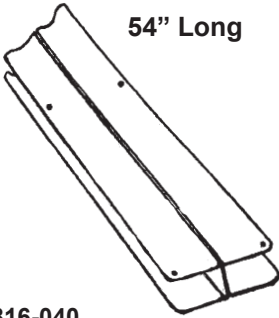
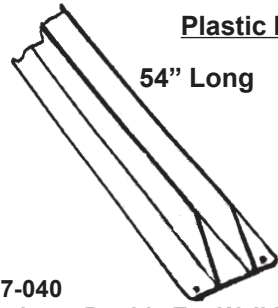
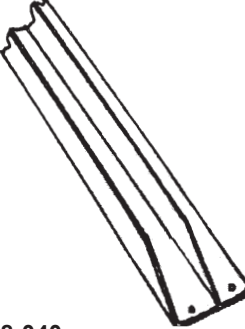
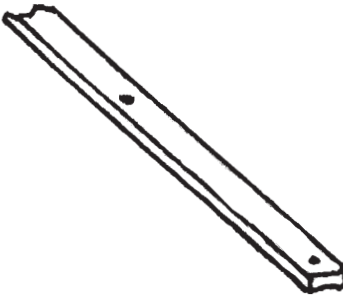
**L.** Pilaster Shoe. Shoe is made of 302 stainless steel and is of one piece construction. Shoe assembly has snap down action on a concealed hold down clip. This eliminates unsightly screws and saves on installation time. Shoe is vandal-proof and cannot be removed.

**Toilet Partition Accessories**

<p><b>BA-1</b></p>  <p><b>Size</b> 30 X 30 32 X 32 34 X 34 36 X 36</p>	<p><b>BA-2</b></p>  <p><b>Size</b> 30 X 30 32 X 32 36 X 36</p> <p><b>Stainless Steel Angle Frame Mirror With Shelf</b></p>	<p><b>BA-3</b> 1/2 Quart Capacity</p>  <p><b>Surface Mount Soap Dispenser</b></p>	<p><b>BA-4</b></p>  <p><b>Stainless Steel Shelf With Soap Dispenser</b></p>	<p><b>BA-5</b></p>  <p><b>Stainless Steel Towel / Waste Disposal - 21 Gallon Capacity</b></p>
<p><b>BA-6</b></p>  <p><b>Paper Towel Dispenser</b></p>	<p><b>BA7</b></p>  <p><b>Recessed Dual Roll Stainless Steel Toilet Paper Dispenser</b></p>	<p><b>BA8</b></p>  <p><b>Heavy Duty Robe Hook</b></p>	<p><b>BA-9-5X16</b> <b>BA-9-5X30</b> <b>BA-9-6X12</b> <b>BA-9-6X18</b></p>  <p><b>Stainless Steel Shelving Available In 5", 6" &amp; 8" Depths</b></p>	<p><b>BA15</b></p>  <p><b>Aluminum Towel Bar w/ Brackets</b></p> <p><b>Size*</b> 18" 24" 30" 36"</p>

\*\* Many other accessories, not shown here, also available from Blaine. Please call Customer Service for assistance. \*\*

**Brackets, shown below, are used with solid plastic toilet partition panels.**

 <p><b>54" Long</b></p> <p><b>9816-040</b> <b>Aluminum "H" Bracket</b></p> <p><b>9816-034</b> <b>Stainless Steel "H" Bracket</b></p>	<p><b>Plastic "H" Bracket</b></p> <p>09816-Beige-058 09816-Black-058 09816-Burgundy-058 09816-Mocha-058 09816-Glacier Gray-058 09816-Hunter Green-058 09816-Blueberry-058 09816-Sand Castle-058 09816-Fossil-058 09816-White-058</p>	 <p><b>54" Long</b></p> <p><b>9817-040</b> <b>Aluminum Double Ear Wall Bracket</b></p> <p><b>9817-034</b> <b>Stainless Steel Double Ear Wall Bracket</b></p>	<p><b>Plastic Double Ear Wall Bracket</b></p> <p>09817-Beige-058 09817-Black-058 09817-Burgundy-058 09817-Mocha-058 09817-Glacier Gray-058 09817-Hunter Green-058 09817-Blueberry-058 09817-Sand Castle-058 09817-Fossil-058 09817-White-058</p>
 <p><b>9818-040</b> <b>Aluminum Single Ear Wall Bracket</b></p> <p><b>9818-034</b> <b>Stainless Steel Single Ear Wall Bracket</b></p>	<p><b>Plastic Single Ear Wall Bracket</b></p> <p>09818-Beige-058 09818-Black-058 09818-Burgundy-058 09818-Mocha-058 09818-Glacier Gray-058 09818-Hunter Green-058 09818-Blueberry-058 09818-Sand Castle-058 09818-Fossil-058 09818-White-058</p>	 <p><b>9819-040</b> <b>Heat Sink Bar</b></p>	

**Blaine Lavatory Partitions**

**DOORS**

**Stock Number**

- TPDR9100
- TPDR9101
- TPDR9102
- TPDR9103
- TPDR9104
- TPDR9105
- TPDR9106
- TPDR9107



- 21-5/8" w x 58" h Door
- 23-5/8" w x 58" h Door
- 25-5/8" w x 58" h Door
- 27-5/8" w x 58" h Door
- 29-5/8" w x 58" h Door
- 31-5/8" w x 58" h Door
- 33-5/8" w x 58" h Door
- 35-5/8" w x 58" h Door

**PANELS**

- TPPL9108
- TPPL9109
- TPPL9110
- TPPL9111
- TPPL9112
- TPPL9113
- TPPL9114
- TPPL9115
- TPPL9116
- TPPL9117
- TPPL9118
- TPPL9119
- TPPL9120
- TPPL9121
- TPPL9122
- TPPL9173
- TPPL9174



- 15-1/2" w x 58" h Panel
- 17-1/2" w x 58" h Panel
- 21-1/2" w x 58" h Panel
- 23-1/2" w x 58" h Panel
- 25-1/2" w x 58" h Panel
- 27-1/2" w x 58" h Panel
- 29-1/2" w x 58" h Panel
- 31-1/2" w x 58" h Panel
- 33-1/2" w x 58" h Panel
- 35-1/2" w x 58" h Panel
- 37-1/2" w x 58" h Panel
- 39-1/2" w x 58" h Panel
- 45-1/2" w x 58" h Panel
- 51-1/2" w x 58" h Panel
- 54-1/2" w x 58" h Panel
- 57-1/2" w x 58" h Panel
- 69-1/2" w x 58" h Panel

**PILASTERS**

- TPPR9124
- TPPR9125
- TPPR9126
- TPPR9127
- TPPR9128
- TPPR9129
- TPPR9130
- TPPR9131



- 3" w x 82" h Pilaster
- 4" w x 82" h Pilaster
- 5" w x 82" h Pilaster
- 6" w x 82" h Pilaster
- 7" w x 82" h Pilaster
- 8" w x 82" h Pilaster
- 10" w x 82" h Pilaster
- 12" w x 82" h Pilaster

**ALUMINUM HEADRAILS**

- TPAH9134
- TPAH9135
- TPAH9136
- TPAH9137
- TPAH9138
- TPAH9139
- TPAH9140
- TPAH9142



- 37" L Aluminum Headrail
- 56" L Aluminum Headrail
- 66" L Aluminum Headrail
- 70" L Aluminum Headrail
- 72" L Aluminum Headrail
- 74" L Aluminum Headrail
- 82" L Aluminum Headrail
- 96" L Aluminum Headrail

**SCREENS & POSTS**

- TPSP9123

6" x 70" h Screen Pilaster-use a 35-1/2"-45-1/2" w panel for pilaster supported urinal screen (sold separately)

- TPUS9132

18" w x 42" h bracket supported screen

- TPUS9133

24" w x 42" h bracket supported screen

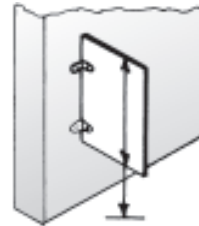
- TPAP9142-040

Aluminum Post - 1-3/4" x 1-3/4" x 70" h

Doors, panels, pilasters and urinal screens - specify steel by adding 050 to the end of the stock number or plastic laminate by adding 058. Alum. headrail - specify 040 for use on steel pilasters or PL-040 for use on plastic laminate pilasters.

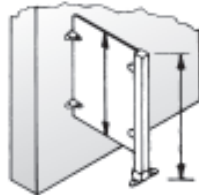
**Entry And Urinal Screens**

Complete with mounting hardware



**Bracket Supported Finishes:**  
Baked enamel on steel and high pressure plastic laminate.

**Sizes:**  
18" w x 42" h  
24" w x 42" h



**Post Supported Finishes:**  
Baked enamel on steel and high pressure plastic laminate.

**Panel Sizes:**  
15-1/2" x 17-1/2" x 21-1/2",  
23-1/2", 25-1/2", 27-1/2", 29-1/2",  
31-1/2" and 33-1/2" wide x  
58" high

**Aluminum Post:**  
1-3/4" x 1-3/4" x 70" high



**Pilaster Supported Finishes:**  
Baked enamel on steel and high pressure plastic laminate.

**Panel Sizes:**  
35-1/2", 37-1/2", 39-1/2" and  
45-1/2" wide x 58" high

**Pilaster Size:**  
6" w x 70" high

**For more information regarding our Toilet Partitions, including color selection and material used, please contact our Customer Service Department at 800-678-1919.**

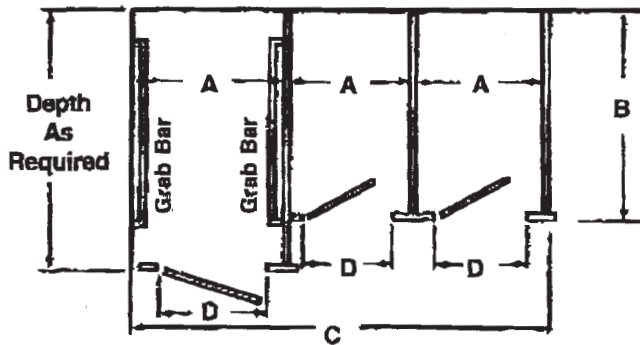
## Blaine Standard Toilet Partition Layouts

Determine the following when ordering Baked Enamel on Steel, Stainless Steel, High Pressure Laminate, Solid Phenolic Laminate & Solid Plastic Polymer Partitions:

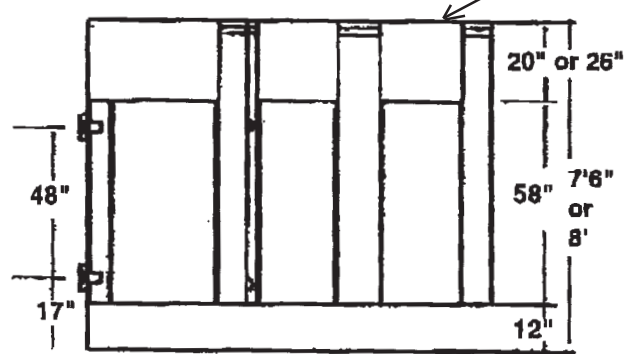
- Determine Layout Type (see Below):
  - Free Standing
  - In Corner
  - Between Walls
  - Alcove
  - Entry & Urinal Screens
- Partition Type and Style:
  - A. Solid Plastic, Metal or Laminate
  - B. Type of Brace Required (headrail, floor, ceiling hung)
- Complete Layout of Toilet Partition Stall(s)
  - A. Width of stall
  - B. Depth of stall
  - C. Total width available
  - D. Width of doors, if known.
- Indicate whether a handicapped accessible unit (ADA) is required.
- Indicate color required.

Metal partitions are solid in a standard 58" door height. Solid plastic partitions are sold in a standard 55" door height. Replacement doors, panels, pilasters and hardware are also available separately.

### Typical Toilet Partition Layout



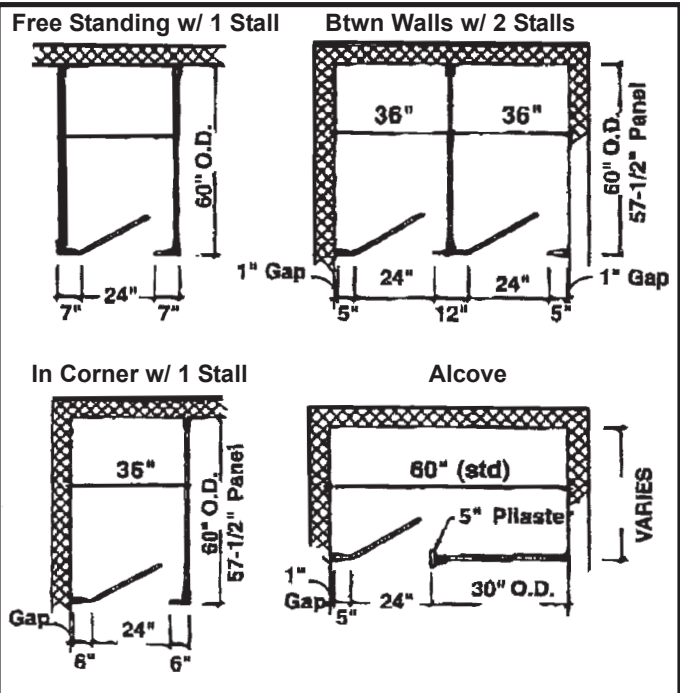
### Finished Ceiling



Headrail Braced (most commonly used)



Floor Braced

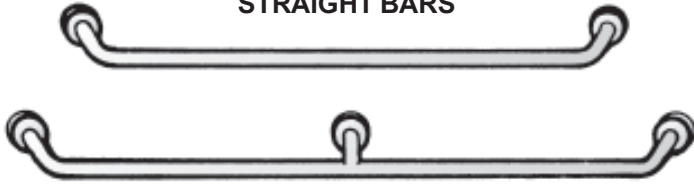




**GRAB BAR APPLICATIONS**

This is strictly a representation of the grab bars available through Blaine. Contact our Customer Service Department for detailed literature and assistance.

**STRAIGHT BARS**



Specify center support when required

**BAR NUMBER**

- NUMBER 12
- NUMBER 16
- NUMBER 18
- NUMBER 24
- NUMBER 32
- NUMBER 36
- NUMBER 42
- NUMBER 48

**LENGTH**

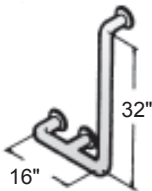
- 12"
- 16"
- 18"
- 24"
- 32"
- 36"
- 42"
- 48"

**FLANGE SPECIFICATIONS**

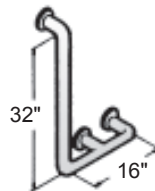
TUBE DIAMETER	ROUND	CONCEALED	SNAP-ON
		<p>Bolt Hole Circle 2-1/4"</p>	<p>Three 1/4-20 set screws in lip</p>
1"	#73	#69	#89
1-1/4"	#74	#71	#90
1-1/2"	#75	#72	#91

**OTHER GRAB BAR APPLICATIONS**

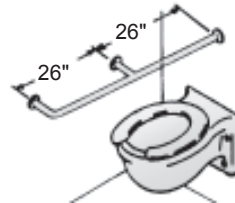
**No. 5R** Right Hand Shown



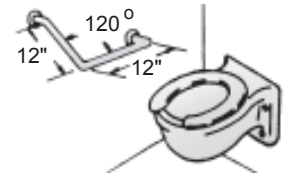
**No. 5L** Left Hand Shown



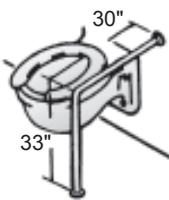
**No. 52**



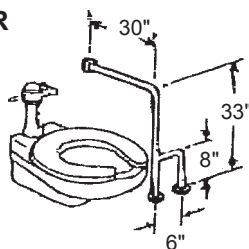
**No. 55**



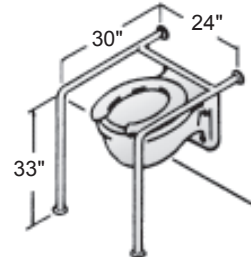
**No. 60**



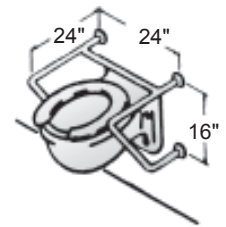
**No. 75R** Right Hand Shown



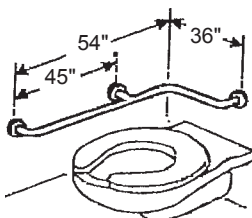
**No. 70**



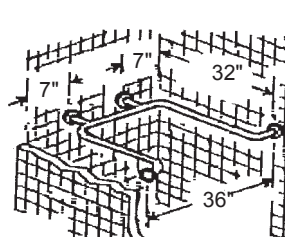
**No. 80**



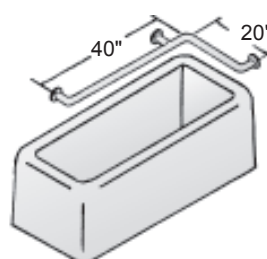
**No. 50**



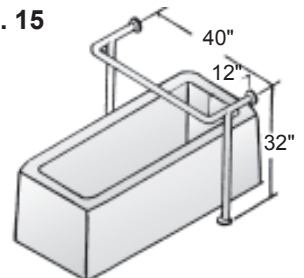
**No. 40** Right Hand Shown



**No. 10** Non Handed



**No. 15**

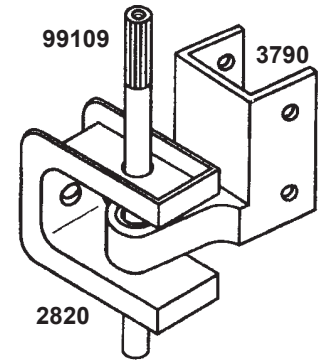


PART #		CONTENTS										ALSO AVAILABLE IN		
Door Size	Post Size	Chrome Plated Zamac	Latch	Top Hinge	Bottom Hinge	Strike/ Keeper	One Pc Keeper	One Pc Strike	Top Insert	Bottom Insert	Hinge Pin	Chrome Plated Brass	Polished Brass	Cast S.S.
1/2"	1/2"	19000	5030	3720	3220		5160	5170	2380	2390	99585			
1/2"	1"	18000	5020	3760	3260		5160	5170	2380	2390	99585			18003
7/8"	1-1/8"	18500	5020	36904	31904	56104			1540	1530	99109			
7/8"	1-1/4"	17800	5020	3790	3290	5110			1540	1530	99109	17801	17802	17803
7/8"	1-1/4"	17810	5020	3790	3290	5980			1540	1530	99109			17813
7/8"	1-1/4"	17830	5020	3790	3290	5340			1540	1530	99109	17831		17833
7/8"	1-1/4"	17900	5050	3790	3290	5110			1540	1530	99109	17901	17902	17903
1"	1"	11300	5030	3760	3260		5160	5170	2820	2810	99109			11303
1"	1"	11310	5080	3760	3260			5170	2820	2810	99109			
1"	1-1/8"	18600	5020	36904	31904	56104			2820	2810	99109			
1"	1-1/4"	11000	5020	3790	3290	5110			2820	2810	99109	11001	11002	11003
1"	1-1/4"	11200	5080	3790	3290	5960			2820	2810	99109	11201		11203
1"	1-1/4"	11400	5020	3790	3290	5980			2820	2810	99109			11403
1"	1-1/4"	11500	5050	3790	3290	5110			2820	2810	99109	11501	11502	11503
1"	1-1/4"	11600	5020	3790	3290	5110			2400	2490	99109	11601		11603
1"	1-1/4"	11610	5020	3790	3290	5340			2400	2490	99109			
1"	1-1/4"	11700	5050	3660	3160	5110			2820	2810	99109	11701	11702	11703
1"	1-1/4"	11710	5080	3660	3160	5230			2820	2810	99109			
1"	1"	78310	5030	3550	3550		5160	5170	1680	1680	99109			
1"	1-1/4"	72610	5080	3540	3540	5230			1680	1680	99109	72611		
1"	1-1/4"	72730	5020	3540	3540	5110			1680	1680	99109	72731	72732	
1"	1-1/4"	78010	5020	3540	3540	5110			1680	1680	99109	78011	78012	

**INSWING**

All packs are supplied with series #4000 door hooks and mounting hardware.

**TOP HINGE ASSEMBLY**



4000



5110



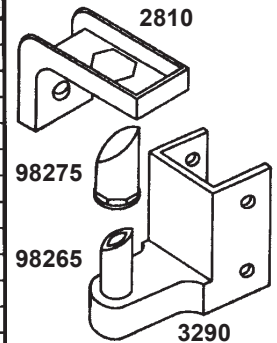
5020



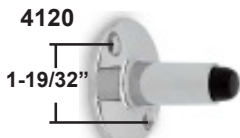
**BOTTOM HINGE ASSEMBLY**

PART #		CONTENTS										ALSO AVAILABLE IN				
Door Size	Post Size	Chrome Plated Zamac	Latch	Top Hinge	Bottom Hinge	Strike/ Keeper	One Pc Keeper	One Pc Strike	Top Insert	Bottom Insert	Hinge Pin	Door Pull	Door Stop	Chrome Plated Brass	Polished Brass	Cast S.S.
1/2"	1/2"	29000	5020	3720	3220		5170	2380	2390	99585	6200					
1/2"	1"	28000	5020	3760	3260		5170	1540	1530	99585	6200					
7/8"	1-1/8"	28500	5020	36904	31904	5710			1540	1530	99109	6200				
7/8"	1-1/4"	27800	5020	3790	3290	5210			1540	1530	99109	6200		27801	27802	27803
7/8"	1-1/4"	27810	5020	3790	3290	5970			1540	1530	99109	6200				27813
7/8"	1-1/4"	27820	5020	3790	3290	5210			1540	1530	99109	6200	4120		27822	27823
7/8"	1-1/4"	27900	5050	3790	3290	5210			1540	1530	99109	5400	4120	27901	27902	27903
7/8"	1-1/4"	28100	5020	3790	3290	5210			1520	1510	99109	6200				
1"	1"	21300	5020	3760	3260		5170	2820	2810	99109	6200					21303
1"	1"	21310	6080	3760	3260		5170	2820	2810	99109	6200					
1"	1-1/8"	28600	5020	36904	31904	5710			2820	2810	99109	6200				
1"	1-1/4"	21000	5020	3790	3290	5210			2820	2810	99109	6200		21001	21002	21003
1"	1-1/4"	21200	5080	3790	3290	5960			2820	2810	99109	6200		21201		21203
1"	1-1/4"	21400	5020	3790	3290	5970			2820	2810	99109	6200	4120			
1"	1-1/4"	21500	5050	3790	3290	5210			2820	2810	99109	5400		21501	21502	21503
1"	1-1/4"	21600	5020	3790	3290	5210			2400	2490	99109	6200		21601		21603
1"	1-1/4"	21700	5050	3660	3160	5210			2820	2810	99109	5400		21701	21702	21703
1"	1-1/4"	21710	5080	3660	3160	5230			2820	2810	99109	5400				
1"	1"	78320	5020	3550	3550		5170	1680	1680	99109	6200					
1"	1-1/4"	72620	5080	3540	3540	5230			1680	1680	99109	6200		72621		
1"	1-1/4"	72740	5020	3540	3540	5210			1680	1680	99109	6200		72741	72742	
1"	1-1/4"	78020	5020	3540	3540	5210			1680	1680	99109	6200		78021	78022	

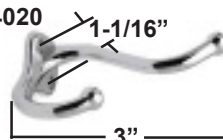
2810



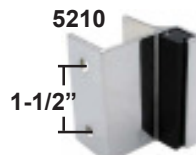
4120



4020



5210



5020



6200



**OUTSWING**

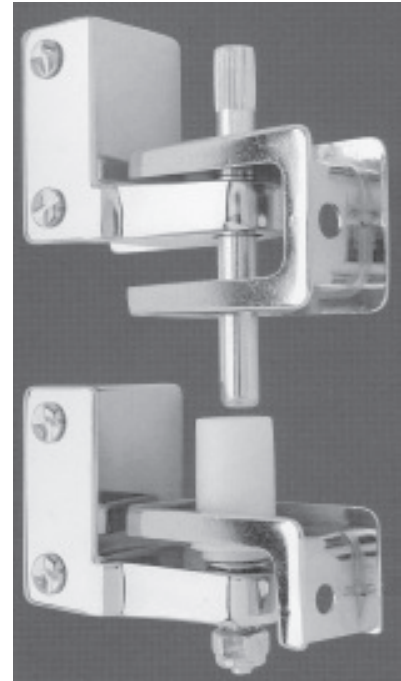
All packs are supplied with series #4020 door hooks and mounting hardware.

REPLACEMENT PACKS

63140



63130



TOP HINGE ONLY

PART # CONTENTS ALSO AVAILABLE IN

DOOR SIZE	POST SIZE	CHROME PLATED ZAMAC	TOP HINGE	TOP INSERT	HINGE PIN	CAST STAINLESS STEEL
7/8"	1-1/4"	63020	3790	1540	99109	63023
1"	1-1/4"	63040	3790	2820	99109	63043
1"	1-1/4"	63060	3790	2400	98544	
1"	1-1/4"	63080	4530	4540	98584	
1"	1-1/4"	63100	3510		98584	
1"	1-1/4"	63160	3540	1680	99109	
1"	1-1/4"	63200	3910		98614	
1"	1-1/4"	63220	3910		98614	
1"	1-1/4"	63720	3630	4800	98574	

BOTTOM HINGE ONLY

PART # CONTENTS ALSO AVAILABLE IN

DOOR SIZE	POST SIZE	CHROME PLATED ZAMAC	BOTTOM HINGE	BOTTOM INSERT	PINTLE	CAM	NUT & WASHER	CAST STAINLESS STEEL
7/8"	1-1/4"	63010	3290	1530	98265	98275	98305	63013
1"	1-1/4"	63030	3290	2810	98175	98245	98305	63033
1"	1-1/4"	63070	4040	4060	98175	98185	98305	
1"	1-1/4"	63090	3010		98175	98185	98305	
1"	1-1/4"	63160	3540	1680	89830	89820	98305	
1"	1-1/4"	63190	3410			97245	98305	
1"	1-1/4"	63210	3420		97275	97265		
1"	1-1/4"	63710	3130	4700	98175	98195	98305	

TOP & BOTTOM HINGES

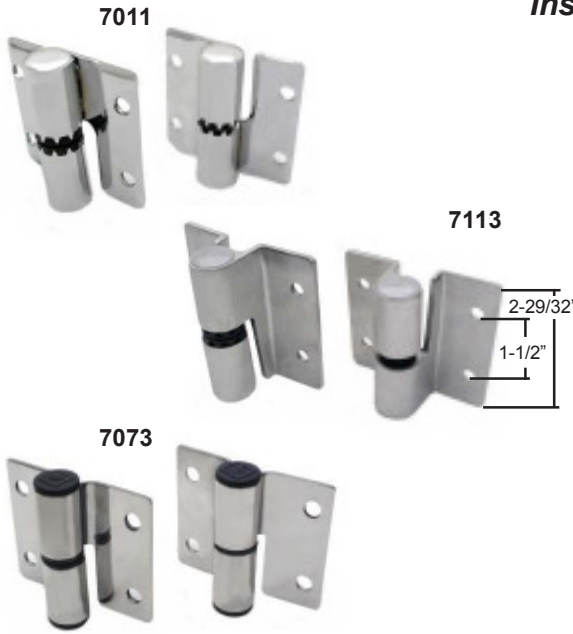
PART # CONTENTS ALSO AVAILABLE IN

DOOR SIZE	POST SIZE	CHROME PLATED ZAMAC	TOP HINGE	TOP INSERT	BOTTOM HINGE	BOTTOM INSERT	PINTLE	CAM	HINGE PIN	CHROME PLATED BRASS	CAST STAINLESS STEEL
7/8"	1-1/4"	63120	3790	1540	3290	1530	98265	98275	99109	63121	63123
1"	1"	63150	3760	2820	3260	2810	98175	98245	99109		63153
1"	1-1/4"	63130	3790	2820	3290	2810	98175	98245	99109	63131	63133
1"	1-1/4"	63140	3510		3010		98175	98185	98584		63143

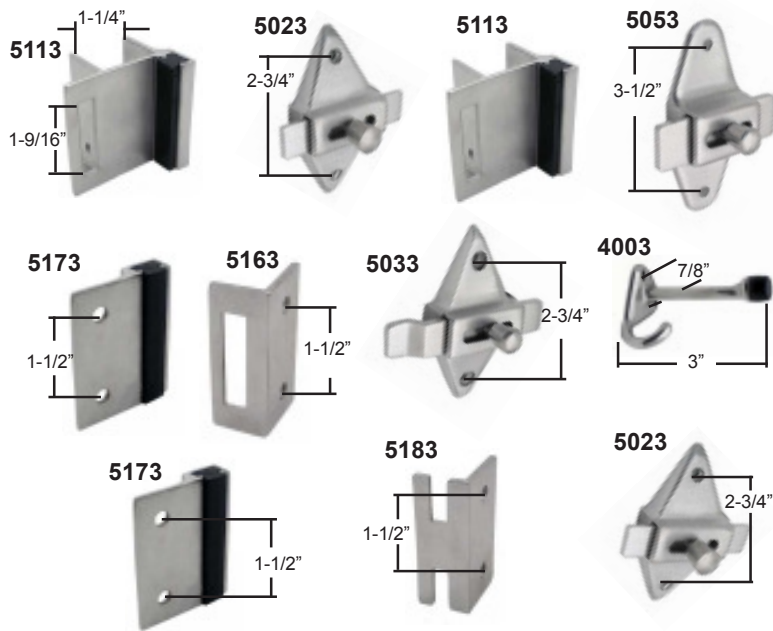
## Surface Mounted Door Packs

### Inswing

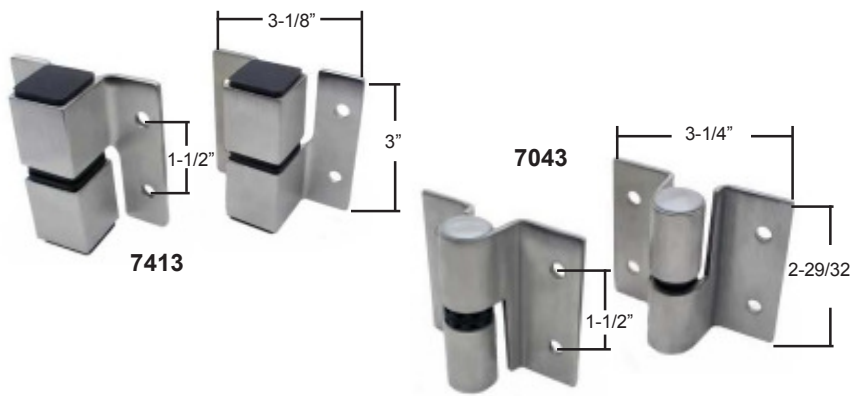
All packs are supplied with series #4000 door hooks and mounting hardware



CHROME PLATED ZAMAC					CONTENTS					ALSO AVAILABLE IN	
Door Size	Post Size	Part #	Swing of Door	Latch	Hinge Set	Strike/ Keeper	One Pc Strike	One Pc Keeper	Chrome Plated Brass	Polished Brass	
1/2"	1/2"	20510	LH-IN	5030	7021		5170	5160		20512	
1/2"	1/2"	20520	RH-IN	5030	7011		5170	5160			
1/2"	3/4"	20410	LH-IN	5020	7021		5170	5160			
1/2"	3/4"	20420	RH-IN	5020	7011		5170	5160			
3/4"	3/4"	20450	LH-IN	5030	7021		5170	5160	20451	20452	
3/4"	3/4"	20460	RH-IN	5030	7011		5170	5160	20461	20462	
3/4"	1"	20550	LH-IN	5020	7021		5170	5160	20551		
3/4"	1"	20560	RH-IN	5020	7011		5170	5160	20561		
3/4"	1"	70500	LH-IN	5050	7021		5170	5160		70502	
3/4"	1"	70510	RH-IN	5050	7011		5170	5160		70512	
3/4"	1"	20610	LH-IN	5020	7083		5170	5160			
3/4"	1"	20620	RH-IN	5020	7073		5170	5160			
1"	1"	20650	LH-IN	5020	7123	5620					
1"	1"	20660	RH-IN	5020	7113	5620					
1"	1"		LH-IN	5701	7021		5171		20801		
1"	1"		RH-IN	5701	7011		5171		20811		
1"	1-1/4"	20100	LH-IN	5020	7021	5110			20101	20102	
1"	1-1/4"	20110	RH-IN	5020	7011	5110			20111	20112	



CAST STAINLESS STEEL					CONTENTS				
Door Size	Post Size	Part #	Swing of Door	Latch	Hinge Set	Strike/ Keeper	One Pc Strike	One Pc Keeper	
1/2"	3/4"	70543	LH-IN	5023	7123		5173	5163	
1/2"	3/4"	70553	RH-IN	5023	7113		5173	5163	
3/4"	3/4"	20453	LH-IN	5033	7123		5173	5163	
3/4"	3/4"	20463	RH-IN	5033	7113		5173	5163	
3/4"	3/4"	20943	LH-IN	5033	7423		5173	5163	
3/4"	3/4"	20953	RH-IN	5033	7413		5173	5163	
3/4"	1"	20553	LH-IN	5023	7083	5623			
3/4"	1"	20563	RH-IN	5023	7073	5623			
3/4"	1"	70503	LH-IN	5050	7083		5170	5160	
3/4"	1"	70513	RH-IN	5050	7073		5170	5160	
3/4"	1"	20613	LH-IN	5023	7043	5113			
3/4"	1"	20623	RH-IN	5023	7033	5113			
1"	1"	20653	LH-IN	5033	7123	5623			
1"	1"	20663	RH-IN	5033	7113	5623			
1"	1-1/4"	20903	LH-IN	5023	7423		5173	5163	
1"	1-1/4"	20913	RH-IN	5023	7413		5173	5163	
1"	1-1/4"	20103	LH-IN	5023	7083	5113			
1"	1-1/4"	20113	RH-IN	5023	7073	5113			
1"	1-1/4"	20123	LH-IN	5023	7123	5113			
1"	1-1/4"	20133	RH-IN	5023	7113	5113			

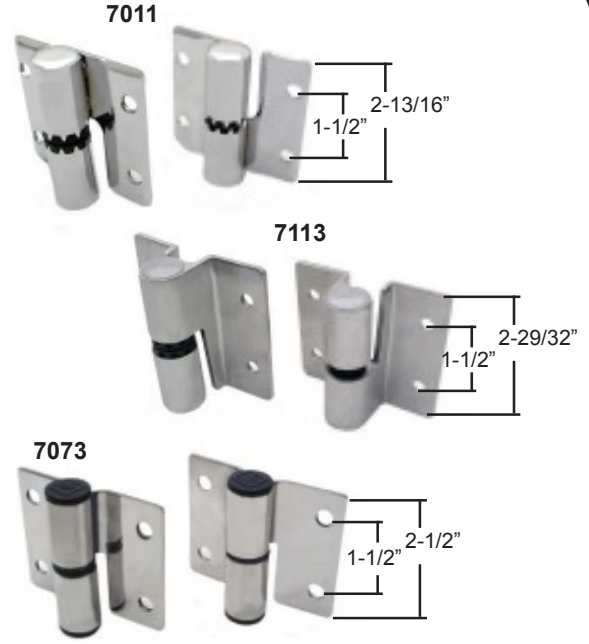


STAMPED STAINLESS STEEL					CONTENTS				
Door Size	Post Size	Part #	Swing of Door	Latch	Hinge Set	One Pc Strike	One Pc Keeper		
3/4"	3/4"	20459	LH-IN	6309	7123	6329	6319		
3/4"	3/4"	20469	RH-IN	6309	7113	6329	6319		
3/4"	3/4"	20949	LH-IN	6309	7083	6369	6499		
3/4"	3/4"	20959	RH-IN	6309	7073	6369	6499		
3/4"	1"	20019	LH-IN	6409	7043		6539		
3/4"	1"	20029	RH-IN	6409	7033		6539		
3/4"	1"	20559	LH-IN	6309	7083	6369	6499		
3/4"	1"	20569	RH-IN	6309	7073	6369	6499		
7/8"	1-1/4"	21909	LH-IN	6309	7423	6389	6499		
7/8"	1-1/4"	21919	RH-IN	6309	7413	6389	6499		
1"	1"	20109	LH-IN	6309	7089	6449	6499		
1"	1"	20119	RH-IN	6309	7079	6449	6499		

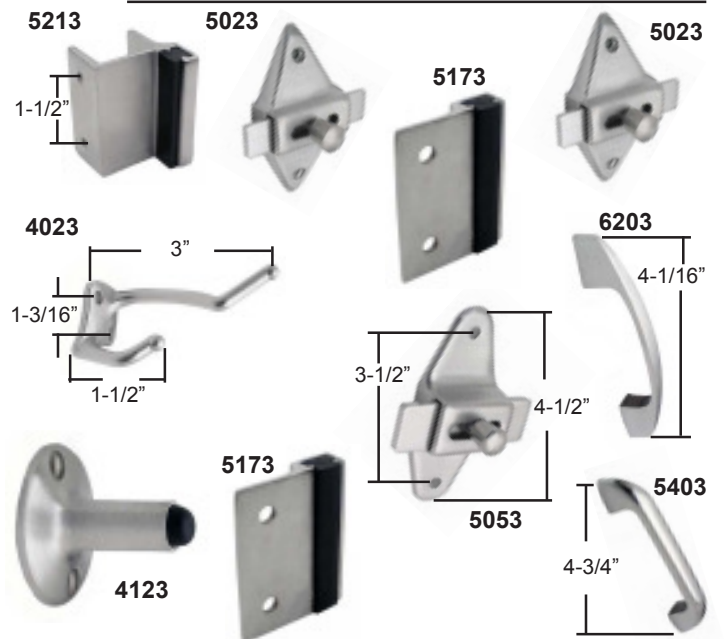
All packs are supplied with series #4020 door hooks and mounting hardware

**Outswing**

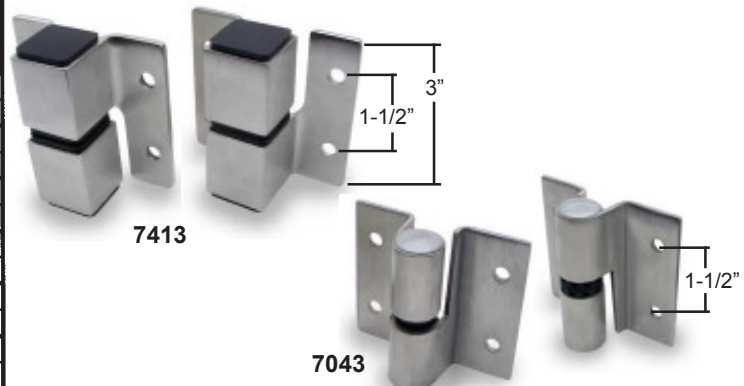
CHROME PLATED ZAMAC				CONTENTS				ALSO AVAILABLE IN		
DOOR SIZE	POST SIZE	PART #	SWING OF DOOR	LATCH	HINGE SET	STRIKE/KEEPER	ONE PC. STRIKE	DOOR PULL	CHROME PLATED BRASS	POLISHED BRASS
1/2"	1/2"	20530	LH-OUT	5020	7011		5170	6200		
1/2"	1/2"	20540	RH-OUT	5020	7021		5170	6200		
1/2"	3/4"	20430	LH-OUT	5020	7011		5170	6200		
1/2"	3/4"	20440	RH-OUT	5020	7021		5170	6200		
3/4"	3/4"	20470	LH-OUT	5020	7011		5170	6200		20472
3/4"	3/4"	20480	RH-OUT	5020	7021		5170	6200		20482
3/4"	1"	20570	LH-OUT	5020	7011		5170	6200	20571	
3/4"	1"	20580	RH-OUT	5020	7021		5170	6200	20581	
3/4"	1"	70520	LH-OUT	5020	7011		5170	5400		70522
3/4"	1"	70530	RH-OUT	5020	7021		5170	5400		70532
3/4"	1"	20630	LH-OUT	5020	7073		5170	6200		
3/4"	1"	20640	RH-OUT	5020	7083		5170	6200		
1"	1"	20670	LH-OUT	5020	7113		5170	6200		
1"	1"	20680	RH-OUT	5020	7123		5170	6200		
1"	1"		LH-OUT	5701	7011		5171	5401	20821	
1"	1"		RH-OUT	5701	7021		5171	5401	20831	
1"	1-1/4"	20200	LH-OUT	5020	7011	5210		6200	20201	20202
1"	1-1/4"	20210	RH-OUT	5020	7021	5210		6200	20211	20212



CAST STAINLESS STEEL				CONTENTS					
DOOR SIZE	POST SIZE	PART #	SWING OF DOOR	LATCH	HINGE SET	STRIKE/KEEPER	ONE PC. STRIKE	DOOR PULL	DOOR STOP
1/2"	3/4"	70563	LH-OUT	5023	7113		5173	6203	
1/2"	3/4"	70573	RH-OUT	5023	7123		5173	6203	
3/4"	3/4"	20473	LH-OUT	5023	7113		5173	6203	
3/4"	3/4"	20483	RH-OUT	5023	7123		5173	6203	
3/4"	3/4"	20963	LH-OUT	5023	7413		5173	6203	
3/4"	3/4"	20973	RH-OUT	5023	7423		5173	6203	
3/4"	1"	20573	LH-OUT	5023	7073	5723		6203	
3/4"	1"	20583	RH-OUT	5023	7083	5723		6203	
3/4"	1"	70523	LH-OUT	5050	7073		5170	5400	
3/4"	1"	70533	RH-OUT	5050	7083		5170	5400	
3/4"	1"	20633	LH-OUT	5023	7033	5213		6203	
3/4"	1"	20643	RH-OUT	5023	7043	5213		6203	
1"	1"	20673	LH-OUT	5023	7113	5723		6203	
1"	1"	20683	RH-OUT	5023	7123	5723		6203	
1"	1-1/4"	20923	LH-OUT	5023	7413		5173	6203	4123
1"	1-1/4"	20933	RH-OUT	5023	7423		5173	6203	4123
1"	1-1/4"	20203	LH-OUT	5023	7073	5213		6203	
1"	1-1/4"	20213	RH-OUT	5023	7083	5213		6203	
1"	1-1/4"	20223	LH-OUT	5023	7113	5213		6203	4123
1"	1-1/4"	20233	RH-OUT	5023	7123	5213		6203	4123



STAMPED STAINLESS STEEL				CONTENTS				
DOOR SIZE	POST SIZE	PART #	SWING OF DOOR	LATCH	HINGE SET	STRIKE/KEEPER	DOOR PULL	DOOR STOP
3/4"	3/4"	20479	LH-OUT	6309	7113	6329	6419	
3/4"	3/4"	20489	RH-OUT	6309	7123	6329	6419	
3/4"	3/4"	20969	LH-OUT	6309	7413	6379	6203	
3/4"	3/4"	20979	RH-OUT	6309	7423	6379	6203	
3/4"	1"	20039	LH-OUT	6309	7033	6569	6419	4129
3/4"	1"	20049	RH-OUT	6309	7043	6569	6419	4129
3/4"	1"	20579	LH-OUT	6309	7089	6379	6419	
3/4"	1"	20589	RH-OUT	6309	7079	6379	6419	
7/8"	1-1/4"	21929	LH-OUT	6309	7413	6399	6419	
7/8"	1-1/4"	21939	RH-OUT	6309	7423	6399	6419	
1"	1"	20209	LH-OUT	6309	7079	6559	6419	
1"	1"	20219	RH-OUT	6309	7089	6559	6419	



**Prepackaged Hardware**

**TWO EAR PANEL PACKS**

PANEL SIZE	PART# CONTENTS			ALSO AVAILABLE IN				
	CHROME PLATED ZAMAC	WALL BRACKET	"U" BRACKET	CHROME PLATED BRASS	POLISHED BRASS	CAST STAINLESS STEEL	ALUMINUM EXTRUSION	STAMPED STAINLESS STEEL
1/2"	15000	1560	1870			15003		15009
3/4"	15010	1620	1890			15013		15019
7/8"	15020	1630	1900	15021	15022	15023		15029
1"	15030	1750	1910	15031	15032	15033	15034	15039
1-1/4"	15040	1830	1940		15042	15043		15049

**THREE BRACKET PACKS**

1/2"	15170	1560	1870			15173	15174	15179
3/4"	15160	1620	1890			15163		15169
7/8"	15150	1630	1900	15151	15152	15153		15159
1"	15980	1750	1910			15983		

1-1/4" Inquire About Special Request Orders

**ONE EAR PANEL PACKS**

PANEL SIZE	PART# CONTENTS			ALSO AVAILABLE IN				
	CHROME PLATED ZAMAC	WALL BRACKET	"U" BRACKET	CHROME PLATED BRASS	POLISHED BRASS	CAST STAINLESS STEEL	ALUMINUM EXTRUSION	STAMPED STAINLESS STEEL
1/2"	15110	1570	1870			15113		15119
3/4"	15100	1640	1890			15103		15109
7/8"	15090	1650	1900	15091	15092	15093		15099
1"	15050	1760	1910	15051	15052	15053	15054	15059
1-1/8"	15130	18204						
1-1/4"	15140	1840	1940	15141	15142	15143	15144	15149

**THREE BRACKET PACKS**

1/2"		1570	1870			15573		15579
3/4"		1640	1890			715103		715109
7/8"	715090	1650	1900					
1"	15080	1760	1910	15081	15082	15083	15084	15089

1-1/8" Inquire About Special Request Orders

1-1/4" Inquire About Special Request Orders

**ONE EAR PILASTER PACKS**

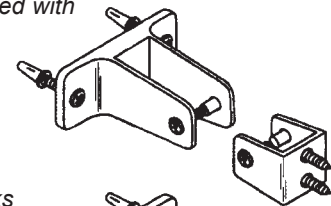
PANEL SIZE	PART# CONTENTS			ALSO AVAILABLE IN				
	CHROME PLATED ZAMAC	WALL BRACKET	CHROME PLATED BRASS	POLISHED BRASS	CAST STAINLESS STEEL	ALUMINUM EXTRUSION	STAMPED STAINLESS STEEL	
1/2"	15190	1570			15193		15199	
3/4"	15810	1640			15813		15819	
7/8"	15820	1650	15821	15822	15823		15829	
1"	15250	1760	15251	15252	15253	15254	15259	
1-1/8"	15210	18204					15219	
1-1/4"	15230	1840	15231	15232	15233	15234	15239	
1-1/4"	15240	1850	15241	15242	15243		15249	

**TWO EAR PILASTER PACKS**

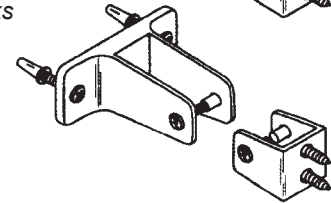
PANEL SIZE	PART# CONTENTS			ALSO AVAILABLE IN				
	CHROME PLATED ZAMAC	WALL BRACKET	CHROME PLATED BRASS	POLISHED BRASS	CAST STAINLESS STEEL	ALUMINUM EXTRUSION	STAMPED STAINLESS STEEL	
1/2"	15200	1560			15203	15204	15209	
3/4"	15840	1620			15843		15849	
7/8"	15850	1630	15851	15852	15853		15859	
1"	15280	1750	15281	15282	15283	15284	15289	
1-1/4"	15220	1830	15221	15222	15223		15229	
1-1/4"	15870	1810	15871		15873		15879	

**Panel & Pilaster Packs**

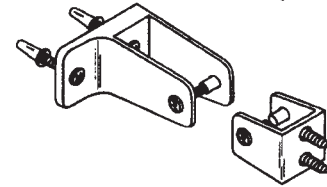
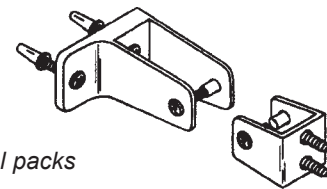
All packs are supplied with mounting hardware



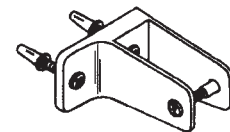
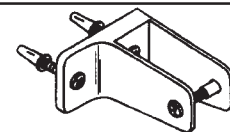
Two ear panel packs



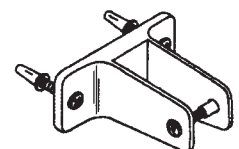
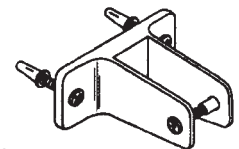
One ear panel packs



One ear pilaster packs



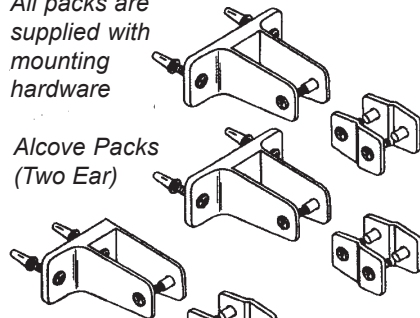
Two ear pilaster packs



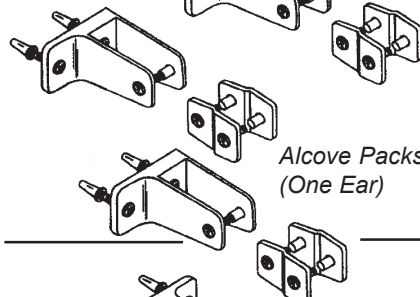
**Alcove, Urinal, Angle Bracket, Headrail Packs**

All packs are supplied with mounting hardware

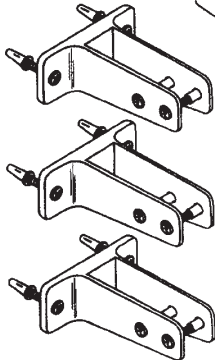
Alcove Packs (Two Ear)



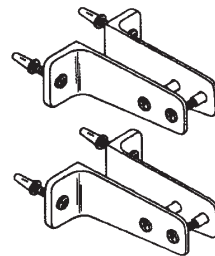
Alcove Packs (One Ear)



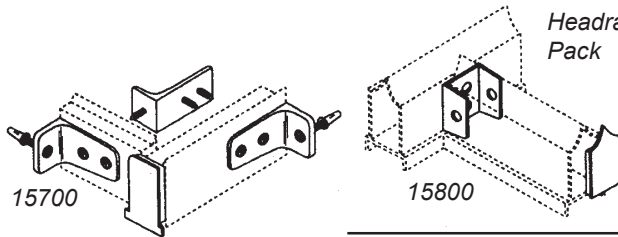
Urinal Screen Packs



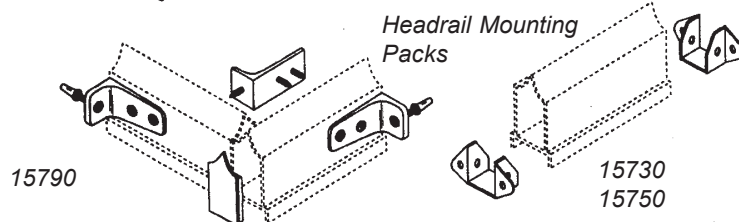
Angle Bracket Packs



Headrail Corner Pack



Headrail Mounting Packs



**ALCOVE PACKS**

PANEL SIZE	POST SIZE	PART#				CONTENTS			ALSO AVAILABLE IN					BRACKET TYPE
		CHROME PLATED ZAMAC	WALL BRACKET	ALCOVE CLIP	HEADRAIL BRACKET	CHROME PLATED BRASS	POLISHED BRASS	CAST STAINLESS STEEL	ALUMINUM EXTRUSION	STAMPED STAINLESS STEEL				
ALL 1/4" Offsets		15300		8340				15301	15302	15303			15309	
1/2"	3/4"	15350	1560	8340						15353			15359	2-EAR
3/4"	3/4"	15660	1623	8369						15663			15669	2-EAR
3/4"	1"	15310	1620	8340						15313			15319	2-EAR
3/4"	1"	15680	1640	8340										1-EAR
7/8"	1"	15320	1630	8340				15321	15322	15323			15329	2-EAR
7/8"	1"	15380	1630	8340	2170									2-EAR
7/8"	1"	15690	1650	8340										1-EAR
1"	1"	15670	1760	8369									15679	1-EAR
1"	1-1/4"	15330	1750	8340				15331	15332	15333	15334		15339	2-EAR
1"	1-1/4"	15360	1760	8340				15361	15362	15363	15364		15369	1-EAR
1"	1-1/4"	15370	1750	1550										2-EAR

**URINAL SCREEN PACKS**

SCREEN SIZE	PART#		CONTENTS			ALSO AVAILABLE IN				BRACKET TYPE
	CHROME PLATED ZAMAC	WALL BRACKET	CHROME PLATED BRASS	POLISHED BRASS	CAST STAINLESS STEEL	ALUMINUM EXTRUSION	STAMPED STAINLESS STEEL			
ALL	15470	1320	15471	15472	15473		15479	ANGLE X-LONG		
1/2"	15390	1480			15393		15399			
3/4"	15410	1590			15413		15419			
7/8"	15420	1600	15421	15422	15423		15429			
1"	15430	1610	15431	15432	15433	15434	15439			
1"	15440	1280	15441	15442	15443		15449	2-PC X-LONG		
1"	15510	1280	15511	15512	15513		15519	X-LONG		
1-1/4"	15450	107720	15451	15452	15453		15459			
1-1/4"	15460	1330					15469	2-PC X-LONG		
1-1/4"	15500	1330					15509	X-LONG		

**ANGLE BRACKET PACKS**

PANEL SIZE	PART#		CONTENTS			ALSO AVAILABLE IN		
	CHROME PLATED ZAMAC	WALL BRACKET	CHROME PLATED BRASS	POLISHED BRASS	CAST STAINLESS STEEL	STAMPED STAINLESS STEEL		
ALL	15480	1320 (2-SET) X-LONG	15481		15483	15489		
ALL	15490	1320 (1-SET) X-LONG	15491	15492	15493	15499		
ALL	15520	1860 (2-SET)	15521	15522	15523	15529		
ALL	15530	1860 (1-SET)	15531	15532	15533	15539		

**HEADRAIL CORNER PACKS**

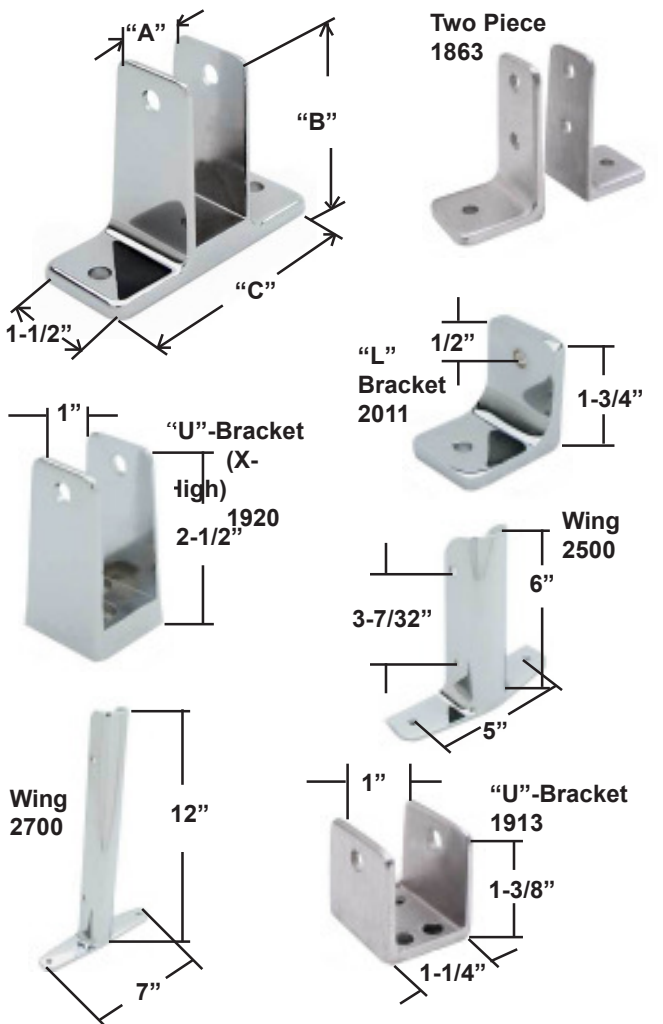
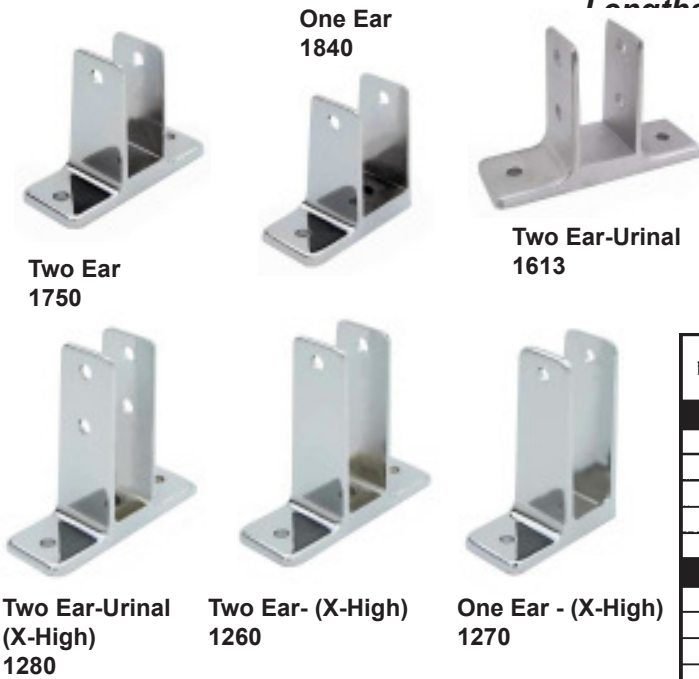
PANEL SIZE	PART #		CONTENTS		ALSO AVAILABLE IN		
	CHROME PLATED ZAMAC	U-BRACKET	END PLUG	CAST STAINLESS STEEL	ALUMINUM EXTRUSION	STAMPED STAINLESS STEEL	
ALL	15800	1910	6675	15803	15804	15809	

**HEADRAIL MOUNTING PACKS**

SCREEN SIZE	PART #		CONTENTS		ALSO AVAILABLE IN	
	CHROME PLATED ZAMAC	MOUNTING BRACKET	END PLUG	CAST STAINLESS STEEL	STAMPED STAINLESS STEEL	
ALL	15790	1350 (3-PC)	6675 (1-PC)	15793	15799	
1"	15700	1350 (3-PC)	6715 (2-PC)	15703	15709	
1"	15710	2150 (1-PC)	6660 (1-PC)			
1/2" to 1"	15720	2150 (1-PC)	6670 (1-PC)		15729	
1/2" to 1"	15730	2150 (2-PC)			15739	
1-1/4"	15740	2170 (1-PC)	6675 (1-PC)			
1-1/4"	15750	2170 (2-PC)				

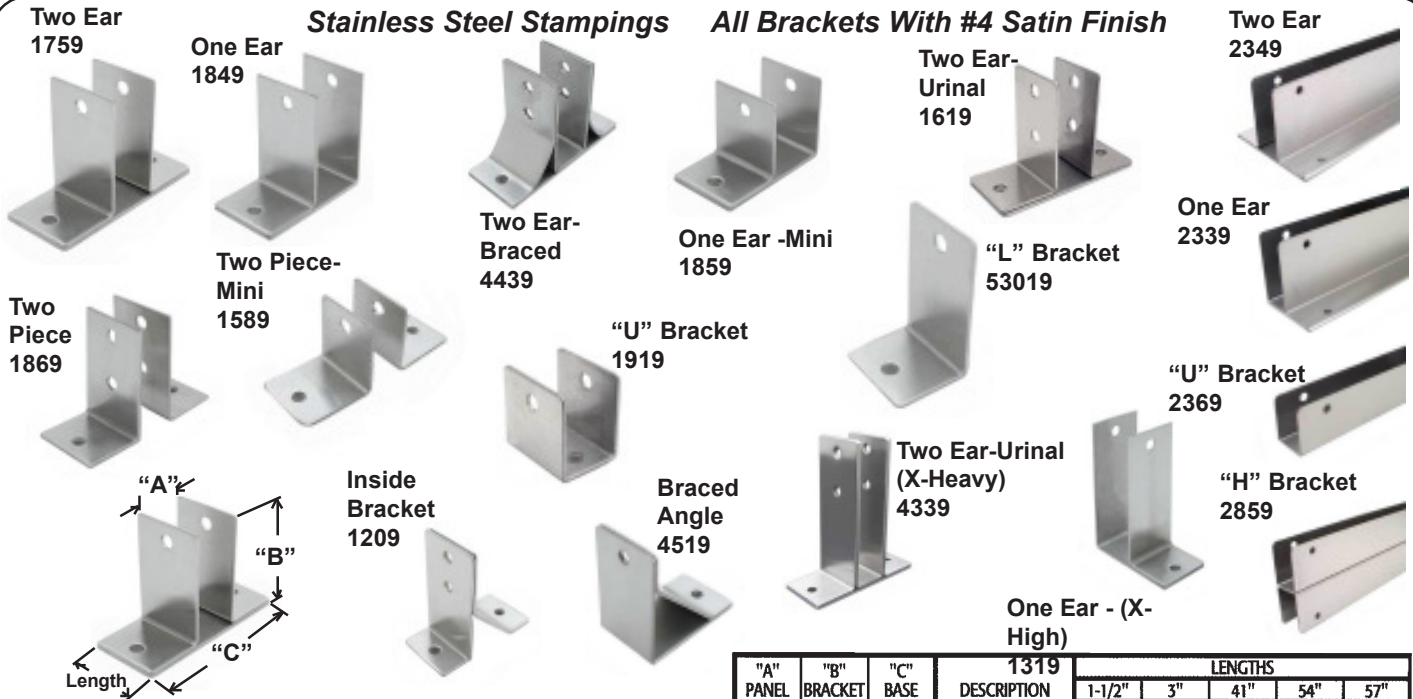
**Castings Lengths**

**All Brackets At 1-1/2"**



"A" PANEL SIZE	"B" BRACKET HEIGHT	"C" BASE WIDTH	DESCRIPTION	CHROME PLATED ZAMAC	CHROME PLATED BRASS	POLISHED BRASS	CAST STAINLESS STEEL
<b>TWO EAR BRACKETS</b>							
1/2"	2-1/2"	2-27/32"		1560			1563
3/4"	2-1/2"	3"		1620			1623
7/8"	2-1/2"	3-1/2"		1630	1631	1632	1633
1"	2-1/2"	4"		1750	1751	1752	1753
1-1/4"	2-1/2"	4"		1830	1831	1832	1833
<b>ONE EAR BRACKETS</b>							
1/2"	2-1/2"	1-3/4"		1570			1573
3/4"	2-1/2"	2"		1640		1642	1643
7/8"	2-1/2"	2-3/32"		1650	1651	1652	1653
1"	2-1/2"	2-21/32"		1760	1761	1762	1763
1-1/8"	2-1/2"	2-3/4"	With Spacers	18204			
1-1/4"	2-1/2"	2-3/4"		1840	1841	1842	1843
<b>MINI BRACKETS</b>							
ALL	1-3/4"	1-3/8"	Two Piece	1580			
1-1/4"	1-3/4"	4"	Two Ear	1810			1813
1-1/4"	1-3/4"	2-3/4"	One Ear	1850		1852	1853
<b>X-HIGH BRACKETS</b>							
1"	3-1/2"	4"	Two Ear	1260			
1"	3-1/2"	2-21/32"	One Ear	1270			
1-1/4"	3-1/2"	4"	Two Ear	1300			
1-1/4"	3-1/2"	2-27/32"	One Ear	1310			
<b>URINAL SCREEN BRACKETS</b>							
1/2"	2-1/2"	1-3/4"	One Ear	1470			
1/2"	2-1/2"	2-27/32"	Two Ear	1480			1483
3/4"	2-1/2"	3"	Two Ear	1590			1593
7/8"	2-1/2"	3-1/2"	Two Ear	1600	1601	1602	1603
1"	2-1/2"	4"	Two Ear	1610	1611	1612	1613
1"	3-1/2"	2-21/32"	One Ear X-High	1660			
1"	3-1/2"	4"	Two Ear X-High	1280	1281	1282	1283
1-1/4"	2-1/2"	4"	Two Ear	107720			107723
1-1/4"	3-1/2"	4"	Two Ear X-High	1330			
<b>WING BRACKETS</b>							
1"	12"	7"		2700			
1-1/4"	6"	6-1/4"		2500			
<b>"U" BRACKETS</b>							
1/2"	1-3/8"	3/4"		1870			1873
3/4"	1-3/8"	1"		1890			1893
7/8"	1-3/8"	1-1/8"		1900	1901	1902	1903
1"	1-3/8"	1-1/4"		1910	1911	1912	1913
1-1/4"	1-3/8"	1-1/2"		1940			
<b>"U" BRACKETS X-HIGH</b>							
1"	2-1/2"	1-1/4"		1920			
1-1/4"	2-1/2"	1-9/16"		1950			
<b>TWO PIECE "L" BRACKETS</b>							
ALL	1-3/4"	1-3/8"	Mini (1) Hole	1580			
ALL	2-1/2"	1-1/2"	Standard (2) Hole	1860	1861	1862	1863
ALL	3-1/2"	1-1/2"	X-High (2) Hole	1320	1321	1322	1323
<b>ANGLE "L" BRACKETS (SINGLE)</b>							
ALL	1-3/4"	1-3/4"	Mini		2011	2012	2013





"A" PANEL SIZE	"B" BRACKET HEIGHT	"C" BASE WIDTH	DESCRIPTION	LENGTHS				
				1-1/2"	3"	41"	54"	57"
				14 GAUGE		18 GAUGE		
TWO EAR BRACKETS								
1/2"	2-1/2"	3-3/16"		1569	2209	2059		2679
3/4"	2-1/2"	3-13/32"		1629	2229			2089
7/8"	2-1/2"	3-9/16"		1639	2249			
1"	2-1/2"	3-11/16"		1759	2269	2609	2869	2349
1-1/8"	2-1/2"	3-13/16"		1779	2389			
1-1/4"	2-1/2"	3-15/16"		1839	2289			
1-1/2"	2-1/2"	3-29/32"		1709				
1"	2-5/8"	4"	Braced Two Ear	4439				
ONE EAR BRACKETS								
1/2"	2-1/2"	1-29/32"		1579	2219		2919	2099
3/4"	2-1/2"	2-5/32"		1649	2239			2079
7/8"	2-1/2"	2-5/16"		1659	2259			
1"	2-1/2"	2-13/32"		1769	2279		2879	2339
1-1/8"	2-1/2"	2-17/32"		1829				
1-1/4"	2-1/2"	2-11/16"		1849	2299			2359
ALL	2-7/8"	2-29/32"	Inside Wall Bracket	1209				
MINI BRACKETS								
ALL	1-5/8"	1-5/8"	(2-Pc.) Set	1589				
3/4"	1-1/2"	2-5/32"	One Ear	1679				
1"	1-1/2"	2-13/32"	One Ear	1749				
1-1/4"	1-5/8"	3-15/16"	Two Ear	1819				
1-1/4"	1-3/4"	2-11/16"	One Ear	1859				4359
ONE EAR X-HIGH BRACKETS								
3/4"	3-1/2"	2-5/32"		1259				
1"	3-1/2"	2-13/32"		1279				
1-1/4"	3-1/2"	2-11/16"		1319				
TWO EAR X-HIGH BRACKETS								
3/4"	3-1/2"	3-13/32"		1249				
1"	3-1/2"	3-11/16"		1269				
1-1/4"	3-1/2"	3-15/16"		1309				
URINAL SCREEN BRACKETS								
1/2"	2-1/2"	1-29/32"	One Ear	1479				
1/2"	2-1/2"	3-3/16"	Two Ear	1489				
3/4"	2-1/2"	2-5/32"	One Ear	1699				
3/4"	2-1/2"	3-13/32"	Two Ear	1599				
7/8"	2-1/2"	3-9/16"	Two Ear	1609				
1"	2-1/2"	3-11/16"	Two Ear	1619				

"A" PANEL SIZE	"B" BRACKET HEIGHT	"C" BASE WIDTH	DESCRIPTION	1319 LENGTHS				
				1-1/2"	3"	41"	54"	57"
				14 GAUGE		18 GAUGE		
TWO EAR URINAL SCREEN X-HEAVY								
1/2"	4"	3-5/8"		4309				
3/4"	4"	3-7/8"		4319				
7/8"	4"	4"		4329				
1"	4"	4-1/8"		4339				
1-1/4"	4"	4-3/8"		4349				
URINAL SCREEN X-HIGH								
1"	3-1/2"	2-13/32"	One Ear	1669				
7/8"	3-1/2"	3-17/32"	Two Ear	1239				
1"	3-1/2"	3-11/16"	Two Ear	1289				
1-1/4"	3-1/2"	3-15/16"	Two Ear	1339				
"U" BRACKETS								
1/2"	1-1/2"	11/16"		1879	2989	2039		2669
3/4"	1-1/2"	15/16"		1899			4589 (53")	2069
7/8"	1-1/2"	1-1/16"		1909				
1"	1-1/2"	1-3/16"		1919	2309	101309	2799	2369
1-1/8"	1-1/2"	1-9/32"		1939				
1-1/4"	1-1/2"	1-13/32"		1949				
1-1/2"	1-1/2"	1-11/16"		1889				
"U" BRACKETS X-HIGH								
1/2"	2-1/2"	11/16"		1999	2189			
3/4"	2-1/2"	15/16"		1989	2319			
7/8"	2-1/2"	1-1/16"		1979	2199			
1"	2-1/2"	1-3/16"		1929	2329			
1-1/8"	2-1/2"	1-5/16"		1969	103719			
1-1/4"	2-1/2"	1-7/16"		1959	2999			
TWO PIECE BRACKETS								
ALL	2-1/2"	1-1/4"	(2 Hole)	1869				
ALL	3-1/2"	1-5/16"	(2 Hole) X-High	1329				
ANGLE "L" BRACKETS								
ALL	2"	13/16"	3/4" Length / 12 Gauge	2809				
ALL	1-5/8"	1-5/8"		2019				
ALL	2-1/2"	1-5/16"		53019				2689
ALL	3-1/2"	1-5/16"		1359				
ALL	3-1/2"	3-1/2"	Braced Angle Bracket	4519				
"H" BRACKET								
1"	3-1/2"	1-1/8"	Riveted & Welded				2859	
HINGED BRACKETS (see back cover)								
1"	2-9/16"	3"	Uses (1) #2329		111359			
1-1/4"	2-9/16"	3"	Uses (1) #2999		111369			

**Aluminum Extrusions**



Two Ear  
2344



One Ear  
2334



"U" Bracket  
2364



"L" Bracket  
2684



"H" Bracket  
2858



Two Ear  
1754



One Ear  
1764



Two Ear - Urinal  
1614



"U" Bracket - (X-Long)  
2304



"U" Bracket  
1914



"L" Bracket  
1864



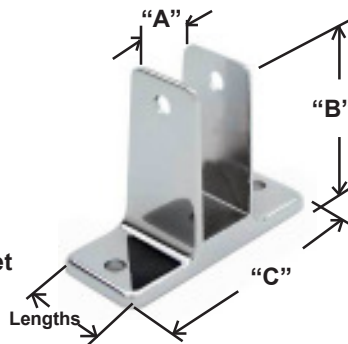
Two Ear - (X-Long)  
2264



One Ear - (X-Long)  
2274



"H" Bracket  
1734



All Parts "T-6063-T5"  
Extruded Aluminum  
With "Clear Anodized"  
Finish

"A" PANEL SIZE	"B" HEIGHT	"C" BASE WIDTHS	LENGTHS					
			1-1/2"	3"	41"	54"	57"	57-1/2"
TWO EAR BRACKETS								
1/2"	2-3/4"	2-27/32"	1564	2204	2054		4174	2674
3/4"	2-3/4"	3-13/32"			4604			2084
1"	2-3/4"	3-3/4"	1754	2264	2888	2868		2344
ONE EAR BRACKETS								
1/2"	2-3/4"	1-31/32"					2094	4394
3/4"	2-3/4"	2-7/32"	1644	109284			2074	4364
1"	2-3/4"	2-5/8"	1764	2274		2878		2334
1-1/4"	2-3/4"	2-5/8"	1844	2294				2354
1-1/4"	1-3/4"	2-5/8"						4354 (mini)
URINAL SCREEN BRACKET								
1"	2-3/4"	3-3/4"	1614					
"U" BRACKETS								
1/2"	1-3/8"	3/4"	1874	2984	2034		4184	2664
3/4"	1-3/8"	1"				4584 (53")		2064
1"	1-3/8"	1-5/16"	1914	2304	101304	2794		2364
1"	2-3/4"	1-1/4"		2324 (x-high)				
"L" BRACKET								
ALL	2-3/4"	1-3/8"	1864 (2pc)					2684
"H" BRACKET								
1"	2-1/2"	1-1/4"	1724	1734		2858		

	CHROME PLATED BRASS	POLISHED BRASS	CAST STAINLESS STEEL	STAMPED STAINLESS STEEL	DESCRIPTION	FINISH	HINGE THICKNESS
#	7011	7012			RH-IN or LH-OUT (3" Height)		
#	7131	7132			Top Hinge Only RH-IN or LH-OUT	Polished	3/32"
#	7141	7142			Bottom Hinge Only RH-IN or LH-OUT		
#	7021	7022			LH-IN or RH-OUT (3" Height)		
#	7151	7152			Top Hinge Only LH-IN or RH-OUT	Polished	3/32"
#	7161	7162			Bottom Hinge Only LH-IN or RH-OUT		
				7033	RH-IN or LH-OUT (3" Height)	Satin	3/32"
				7043	LH-IN or RH-OUT (3" Height)		
				7053	RH-IN or LH-OUT (3" Height)	Satin	1/8"
				7063	LH-IN or RH-OUT (3" Height)		
*				7073	RH-IN or LH-OUT (2-1/2" Height)	Polished	3/32"
*				7083	LH-IN or RH-OUT (2-1/2" Height)		
*				7079	RH-IN or LH-OUT (2-1/2" Height)	Satin	3/32"
*				7089	LH-IN or RH-OUT (2-1/2" Height)		
*				7093	RH-IN or LH-OUT (2-7/8" Height)	Satin	1/8"
*				7103	LH-IN or RH-OUT (2-7/8" Height)		
				8169	RH-IN or LH-OUT (3-3/8" Height)	Satin	1/8"
				8179	LH-IN or RH-OUT (3-3/8" Height)		
		7113			RH-IN or LH-OUT (3" Height)	Satin	1/8"
		7133			Top Hinge Only RH-IN or LH-OUT		
		7143			Bottom Hinge Only RH-IN or LH-OUT		
		7123			LH-IN or RH-OUT (3" Height)	Satin	1/8"
		7153			Top Hinge Only LH-IN or RH-OUT		
		7163			Bottom Hinge Only LH-IN or RH-OUT		

Three Hinge Sets - Two Tops and One Bottom

		7553			RH-IN or LH-OUT of 7113		
		7563			LH-IN or RH-OUT of 7123		
				7883	RH-IN or LH-OUT of 7093		
				7893	LH-IN or RH-OUT of 7103		

Spring Adjustable

				8643	RH-IN/OUT or LH-IN/OUT (4" Height)	Polished	3/32"
				8649	RH-IN/OUT or LH-IN/OUT (4" Height)	Satin	
				8653	RH-IN/OUT or LH-IN/OUT (5" Height)	Polished	3/32"
				8659	RH-IN/OUT or LH-IN/OUT (5" Height)	Satin	

Square Barrel Hinges

		7413			RH-IN or LH-OUT (3" Height)	Satin	1/8"
		7423			LH-IN or RH-OUT (3" Height)		

Locker Hinge

				7719	RH-OUT or LH-OUT (2-3/4" Height)	Satin	3/32"
--	--	--	--	------	----------------------------------	-------	-------

# THREE HINGE SETS RECOMMENDED ON HANDICAPPED, OVERSIZED OR OUTSWING DOORS.  
TWO HINGE SETS NOT RECOMMENDED FOR DOORS OVER **50 LBS.**  
THREE HINGE SETS NOT RECOMMENDED FOR DOORS OVER **70 LBS.**  
\* HANDEDNESS OF HINGES CANNOT BE CHANGED

ROUND BARREL ALUMINUM (For 1" Material)

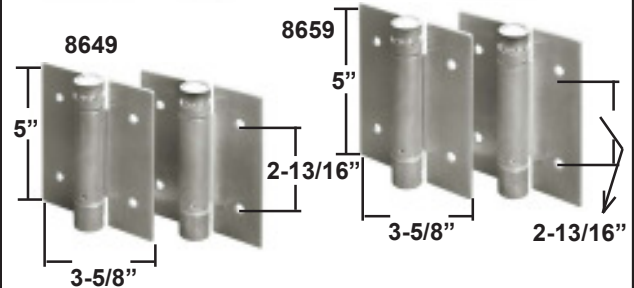
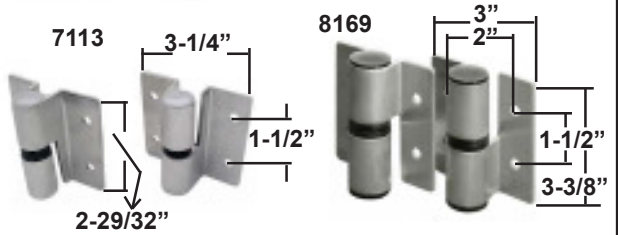
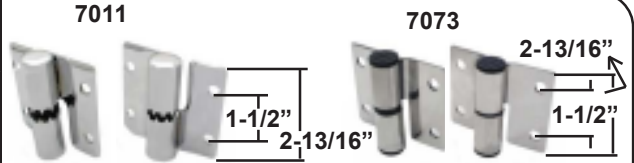
PART #	DESCRIPTION	FINISH
7978	RH-IN or LH-OUT (8" Height)	Clear Anodized
7988	LH-IN or RH-OUT (8" Height)	Clear Anodized
8974	RH-IN or LH-OUT (8" Height)	Brite-Dip
8984	LH-IN or RH-OUT (8" Height)	Brite-Dip

Three Hinge Sets - One Top and Two Bottoms

73714	RH-IN or LH-OUT	of (8974)
73724	LH-IN or RH-OUT	of (8984)

Replacement Parts

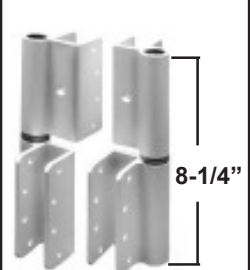
97415	Set of Inserts for 3/4" Door and Post	Nylon-Black
8465	Cam & Pintle Set for Top Hinges	Nylon-Black
8475	Cam & Pin Set for Bottom Hinges	Nylon-Black



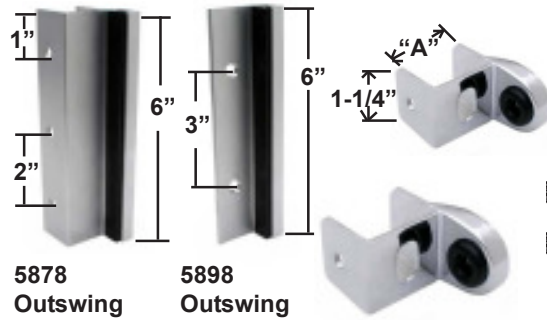
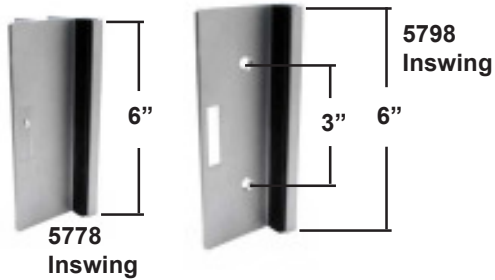
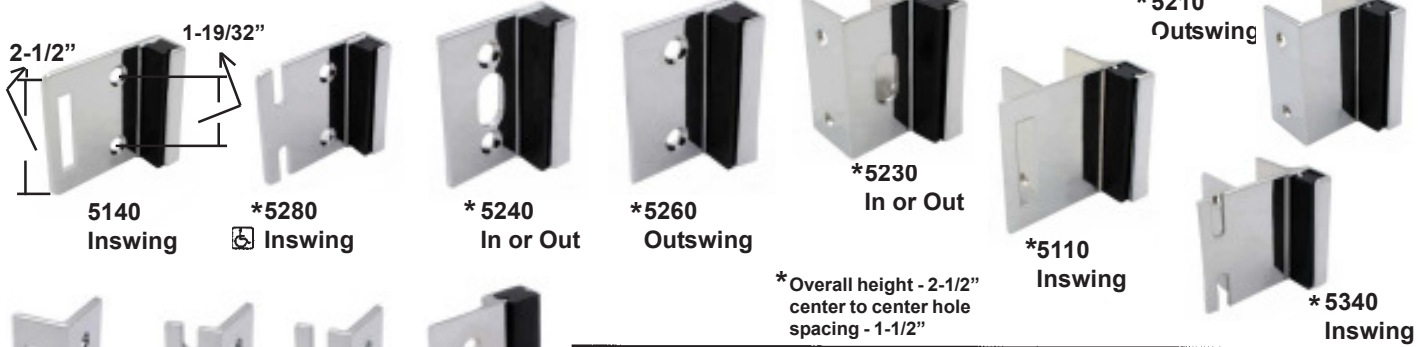
PIANO HINGES

MATERIAL THICKNESS	LENGTHS	DESCRIPTION	STAMPED STAINLESS STEEL
16 Gauge	54"	RH-IN or LH-OUT - Spring Close (1/8" Pin)	7959
	54"	LH-IN or RH-OUT - Spring Close (1/8" Pin)	7969
14 Gauge	57"	RH-IN or LH-OUT - Spring Close (1/4" Pin)	7339
	57"	LH-IN or RH-OUT - Spring Close (1/4" Pin)	7349
16 Gauge	57-1/2"	No Spring (1/8" Pin)	7649
	57-1/2"	RH-IN or LH-OUT - Spring Close (1/8" Pin)	7659
	57-1/2"	LH-IN or RH-OUT - Spring Close (1/8" Pin)	7669
	71-1/2"	RH-IN or LH-OUT - Spring Close (1/8" Pin)	7759
	71-1/2"	LH-IN or RH-OUT - Spring Close (1/8" Pin)	7769
14 Gauge	54-1/2"	RH-IN/OUT or LH-IN/OUT - Cam Close (1/4" Pin)	7599
	54-1/2"	RH-IN/OUT or LH-IN/OUT - Cam Close (1/4" Pin) (20° Open)	7609
	57-1/2"	RH-IN/OUT or LH-IN/OUT - Cam Close (1/4" Pin)	7789
	57-1/2"	RH-IN/OUT or LH-IN/OUT - Cam Close (1/4" Pin) (20° Open)	7799

7978



**Square Edge Posts**



"A" POST SIZE	DESCRIPTION	CHROME PLATED ZAMAC	"SATIN" FINISH ZAMAC	CHROME PLATED BRASS	POLISHED BRASS	CAST STAINLESS STEEL	ALUMINUM EXTRUSION (CLEAR ANODIZE)	ALUMINUM EXTRUSION (BRITE-DIP)
1"		5620				5623	5624	5628
1-1/8"	Inswing for Slide Latch	56104						
1-1/4"		5110	5118	5111	5112	5113		
3/4"						4913		
1"	Outswing for Slide Latch	5720				5723	5724	5728
1-1/8"		57104						
1-1/4"		5210	5218	5211	5212	5213		
1"	Inswing or Outswing for Concealed Latches	5730				5733		
1-1/4"		5230		5231	5232	5233		
1-1/4"	Inswing or Outswing for Concealed Latches	5220						
3/4"	Inswing for Throw Latch (Emergency Access)					4903		
1"		5820				5823	5824	
1-1/4"		5340		5341	5342	5343		
FLATS								
ALL	Inswing for Slide Latch	5140	5148	5141	5142	5143	5144	85148
ALL	Inswing or Outswing for Concealed Latches	5240		5241	5242	5243		
ALL	Outswing for Slide Latch	5260		5261	5262	5263	5264	85268
ALL	Inswing for Throw Latch (Emergency Access)	5280		5281	5282	5283		
HALVES & SETS								
ALL	Inswing Keeper for Slide Latch	5160		5161	5162	5163	5164	
ALL	Inswing or Outswing Strike for Slide Latches	5170		5171	5172	5173	5174	
ALL	Inswing Keeper for Throw Latch (Emergency Access)	5180		5181	5182	5183	5184	
ALL	Inswing Keeper for Throw Latch (Emergency Access) - Short Slot	111770						
ALL	Strike & Keeper 2 pc Pack (5160 & 5170)	5680				5683		
6" HIGH ALUMINUM								
1"	Inswing						5778	
1"	Outswing						5878	
ALL	Inswing (Flat)						5798	
ALL	Outswing (Flat)						5898	
HALF HEIGHT								
1-1/4"	Inswing or Outswing for Concealed Latches	5960				5963		
1-1/4"	Outswing for Slide Latch	5970				5973		
1-1/4"	Inswing for Throw Latch (Emergency Access)	5980				5983		
1-1/4"	Inswing or Outswing for Concealed Latches (1-1/4" Doors)	5840						
HALF HEIGHT-FLATS								
ALL	Inswing or Outswing for Concealed Latches	5630				5633		
ALL	Outswing for Slide Latch	5640				5643		
ALL	Inswing for Throw Latch (Emergency Access)	5650				5653		

**Round Edge Posts**

"A" POST SIZE	DESCRIPTION	CHROME PLATED ZAMAC	CHROME PLATED BRASS	CAST STAINLESS STEEL
1-1/4"	Inswing for Slide Latch	5310	5311	
1-1/4"	Inswing or Outswing for Concealed Latch with Flat Bar	5320	5321	
1-1/4"	Inswing for Throw Latch (Emergency Access)	5330		
1-1/4"	Outswing for Slide Latch	5410	5411	
1-1/4"	Inswing or Outswing for Concealed Latch with Round Bar	5430	5431	
1-1/4"	Inswing or Outswing for Concealed Latch	5550		
<b>HALF HEIGHT</b>				
1-1/4"	Inswing or Outswing for Concealed Latch	5470		
1-1/4"	Inswing or Outswing for Concealed Latch with Round Bar	5510	5511	5513
1-1/4"	Inswing or Outswing for Concealed Latch with Flat Bar	5520		
1-1/4"	Outswing for Slide Latch	5570		5573
1-1/4"	Inswing for Throw Latch (Emergency Access)	5580		5583
1-1/4"	Inswing or Outswing for Concealed Latch	5590		

**5430**  
In or Out



**5320**  
In or Ou



**5410**  
Outswing



**5330**  
inswing



**5310**  
Inswing



**5550**  
In or Out



**5510**  
In or Out



**5520**  
In or Out



**5470**  
In or Out



**5570**  
Outswing



**5580**  
Inswing



**Stamped Stainless Steel Square Edge Posts\***

DOOR SIZE	DESCRIPTION	STAMPED STAINLESS STEEL
<b>INSWING</b>		
1/2"	Inswing Strike	6349
3/4"	Inswing Strike	6369
7/8"	Inswing Strike	6389
1"	Inswing Strike	6449
1-1/8"	Inswing Strike	6429
All	Keeper for Above Strikes	6499
All	Keeper for Above Strikes (Emergency Access)	6789
3/4"	Inswing Strike & Keeper - with Tab	6469
All	Inswing or Outswing Strike - One Piece	6329
All	Inswing Keeper - One Piece	6319
<b>INSWING-FLATS</b>		
3/4"	Inswing Strike & Keeper	5147509
7/8"	Inswing Strike & Keeper	5148759
1"	Inswing Strike & Keeper	5141009
1-1/4"	Inswing Strike & Keeper	5141259
3/4"	Inswing Strike & Keeper (Emergency Access)	5287509
7/8"	Inswing Strike & Keeper (Emergency Access)	5288759
1"	Inswing Strike & Keeper (Emergency Access)	5281009
1-1/4"	Inswing Strike & Keeper (Emergency Access)	5281259
<b>OUTSWING</b>		
1/2"	Outswing Strike & Keeper	6359
3/4"	Outswing Strike & Keeper	6379
7/8"	Outswing Strike & Keeper	6399
1"	Outswing Strike & Keeper	6459
1-1/8"	Outswing Strike & Keeper	6599
1/2"	Outswing Strike & Keeper (Emergency Access)	6899
3/4"	Outswing Strike & Keeper (Emergency Access)	6569
1"	Outswing Strike & Keeper (Emergency Access)	6559
<b>OUTSWING-FLATS</b>		
1/2"	Outswing Strike & Keeper	5265009
3/4"	Outswing Strike & Keeper	5267509
7/8"	Outswing Strike & Keeper	5268759
1/2"	Outswing Strike & Keeper (Emergency Access)	6435009
3/4"	Outswing Strike & Keeper (Emergency Access)	6437509
1"	Outswing Strike & Keeper (Emergency Access)	6431009



**6789**  
Inswing



**6499**  
Inswing



**6389**  
Inswing



**5141009**  
Inswing



**5288759**  
Inswing



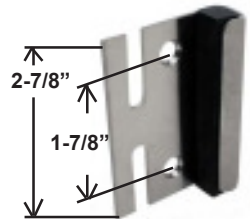
**6319**  
Inswing



**6329**  
Inswing



**6469**  
Inswing



**6437509**  
Outswing



**5268759**  
Outswing



**6569**  
Outswing



**6459**  
Outswing

# **BLAINE**

## **WINDOW HARDWARE INC.**

### Color Selection Guide for Powder Coated Steel Partitions

*Quick Ship*

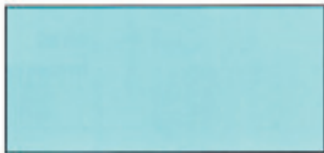


53 Ivory

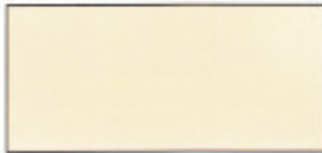


72 Almond

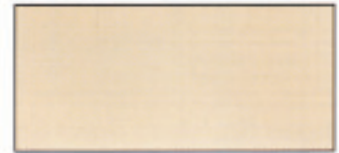
**Also Available in:  
Black  
White  
Stainless Steel**



22 Sky Blue



52 Tan

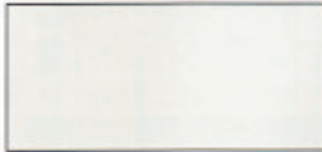


51 Sand

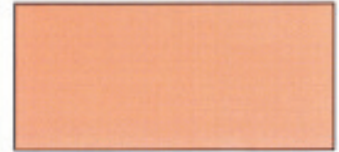
*Quick Ship*



43 Dark Green



30 Light Gray



90 Terra Cotta



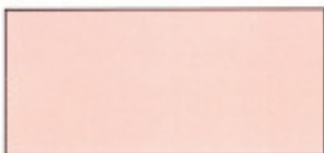
50 Brown



21 Light Blue



31 Dark Gray



75 American Rose



70 Burgundy



78 Royal Blue

***NOTE: All colors and patterns are printed reproductions showing approximate color only. Blaine Window Hardware assumes no responsibility for absolute color fidelity.***



## Color Selection Guide for Plastic Laminate Partitions

*Quick Ship*



D354-60 Designer White



1572-60 Antique White

*Quick Ship*



D30-60 Natural Almond



1530-60 Beige



D97-60 Haze



D50-60 Khaki Brown



1500-60 Grey



D381-60 Fashion Grey

*Quick Ship*



D92-60 Dove Grey



D73-60 Pewter



D90-60 North Sea



1595-60 Black



D391-60 Cloud



D328-60 Larkspur



D25-60 Atlantis



D307-60 Hollyberry



D14-60 Port



D79-60 Hunter Green



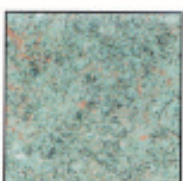
4608-60 Caldera Beige



4669-60 Natural Tigris



4674-60 Evening Tigris



4657-60 Green Legacy



4662-60 Heather Legacy



4651-60 Nancy Legacy



4143-60 Neutral Glace



4142-60 Grey Glace



4621-60 White Nebula



4624-60 Beige Nebula



4627-60 Hunter Nebula



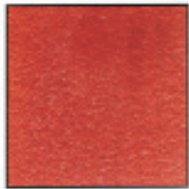
4623-60 Graphite Nebula

***NOTE: All colors and patterns are printed reproductions showing approximate color only. Blaine Window Hardware assumes no responsibility for absolute color fidelity.***

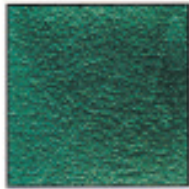


## Color Selection Guide for Solid Plastic Partitions

### CLASSICS



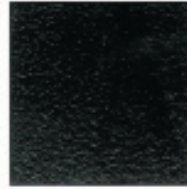
Burgundy



Hunter Green



Mocha



Black



Fossil



Parchment



White



Beige



Charcoal Grey



Grey



Linen



Blueberry

### IMPRESSIONS



Paisley



Beige Flint



Grey Slate



Cappuccino



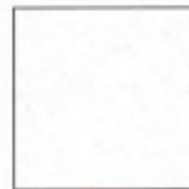
Sandstone



Azure



Sand Castle



Glacier Grey

### EVERTUFF EX



EX02 Beige



EX60 Metallic Grey

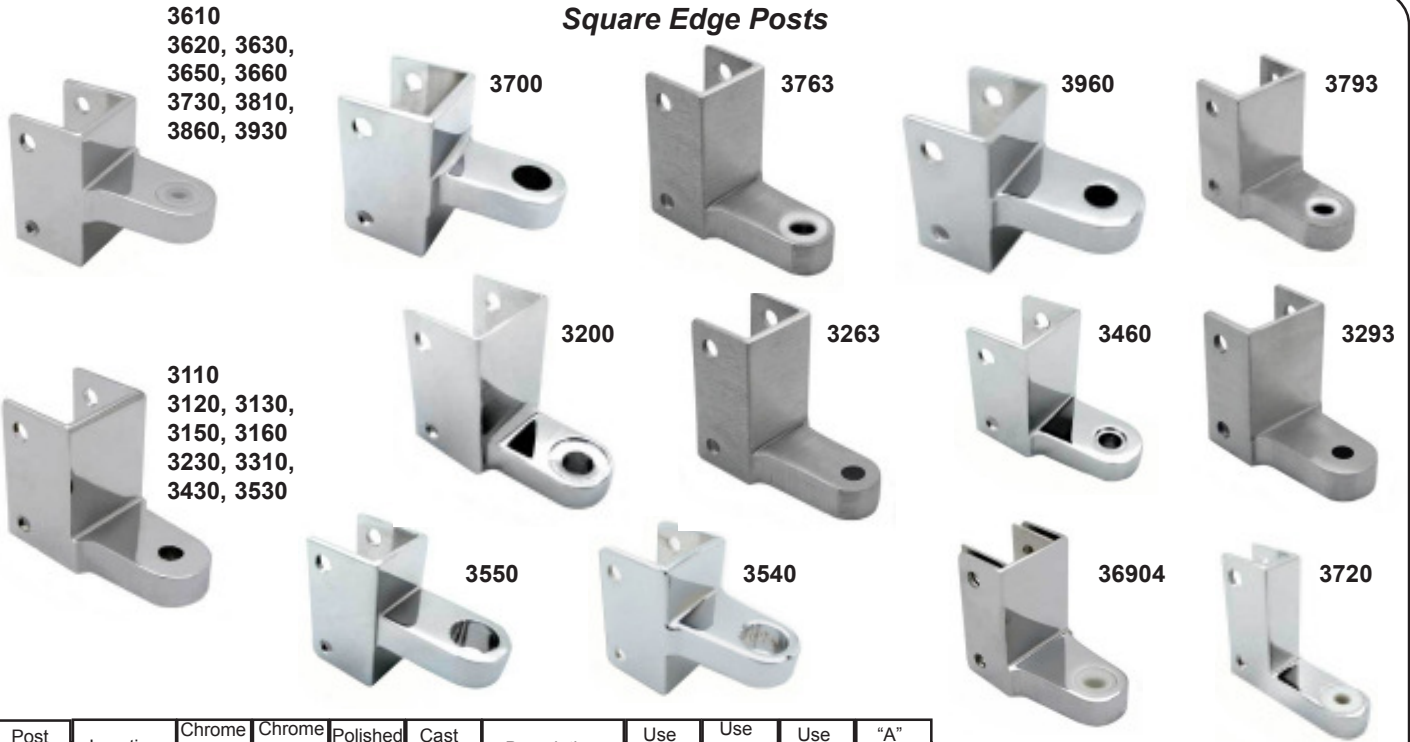


EX05 Black

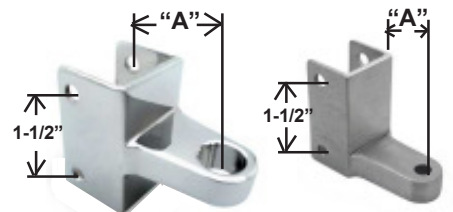
***NOTE: All colors and patterns are printed reproductions showing approximate color only. Blaine Window Hardware assumes no responsibility for absolute color fidelity.***



**Square Edge Posts**



Post Size	Location	Chrome Plated Zamac	Chrome Plated Brass	Polished Brass	Cast S.S.	Description	Use Pin	Use Pintle or Candle	Use Cam	"A" Dim																																																																																																																																																																																																																																																			
1/2"	Top	3720				G-1/2	99585	98265	98275	1.265"																																																																																																																																																																																																																																																			
	Bottom	3220									1"	Top	3760			3763	G-4	99109	98265	98275	1.265"	Bottom	3260			3263	1-1/8"	Top	36904				G-2 (With Inserts)	99109	98175	98245	1.265"	Bottom	31904				1-1/4"	Top	3610	3611	3612	3613	AMPCO	99585	98265	98275	1.250"	Bottom	3110	3111	3112	3113	1-1/4"	Top	3620				GLOBAL		98175		1.155"	Bottom	3120				1.197"	1-1/4"	Top	3630	3631	3632	3633	FIAT	99574	98175	98185	1.275"	Bottom	3130	3131	3132	3133	1-1/4"	Top	3650	3651		3653	SHANAHAN	98544	98175	98195	1.363"	Bottom	3150	3151		3153	1-1/4"	Top	3660	3661	3662	3663	COLUMBIA	99109	98175	98245	1.265"	Bottom	3160	3161	3162	3163	1-1/4"	Top	3700			3703	ACCURATE				1.200"	Bottom	3200			3203	1-1/4"	Top	3730	3731		3733	FLUSH METAL	98584	98175	98185	1.200"	Bottom	3230	3231		3233	1-1/4"	Top	3790	3681	3682	3793	G-3	99109	98265	98275	1.265"	Bottom	3290	3181	3182	3293	98175	98245	1-1/4"	Top	3860			3863	KNICKERBOCKER (LAMINATE)	98614	97275		1.433"	Bottom	3530			3533	1-1/4"	Top	3810	3811		3813	KNICKERBOCKER & GENERAL (STEEL)	98614	97275	97265	1.385"	Bottom	3310	3311		3313	1-1/4"	Top	3930			3933	METPAR	98584	97235		1.104"	Bottom	3430			3433	1-1/4"	Top	3960				SANYMETAL	98715	97280		1.093"	Bottom	3460				1"	Top & Bottom	3550				M-3 Bottom or Top	99109	89830	89820	1.300"	1-1/4"	Top & Bottom	3540	3541	3542
1"	Top	3760			3763	G-4	99109	98265	98275	1.265"																																																																																																																																																																																																																																																			
	Bottom	3260			3263						1-1/8"	Top	36904				G-2 (With Inserts)	99109	98175	98245	1.265"	Bottom	31904				1-1/4"	Top	3610	3611	3612	3613	AMPCO	99585	98265	98275	1.250"	Bottom	3110	3111	3112	3113	1-1/4"	Top	3620				GLOBAL		98175		1.155"	Bottom	3120				1.197"	1-1/4"	Top	3630	3631	3632	3633	FIAT	99574	98175	98185	1.275"	Bottom	3130	3131	3132	3133	1-1/4"	Top	3650	3651		3653	SHANAHAN	98544	98175	98195	1.363"	Bottom	3150	3151		3153	1-1/4"	Top	3660	3661	3662	3663	COLUMBIA	99109	98175	98245	1.265"	Bottom	3160	3161	3162	3163	1-1/4"	Top	3700			3703	ACCURATE				1.200"	Bottom	3200			3203	1-1/4"	Top	3730	3731		3733	FLUSH METAL	98584	98175	98185	1.200"	Bottom	3230	3231		3233	1-1/4"	Top	3790	3681	3682	3793	G-3	99109	98265	98275	1.265"	Bottom	3290	3181	3182	3293	98175	98245	1-1/4"	Top	3860			3863	KNICKERBOCKER (LAMINATE)	98614	97275		1.433"	Bottom	3530			3533	1-1/4"	Top	3810	3811		3813	KNICKERBOCKER & GENERAL (STEEL)	98614	97275	97265	1.385"	Bottom	3310	3311		3313	1-1/4"	Top	3930			3933	METPAR	98584	97235		1.104"	Bottom	3430			3433	1-1/4"	Top	3960				SANYMETAL	98715	97280		1.093"	Bottom	3460				1"	Top & Bottom	3550				M-3 Bottom or Top	99109	89830	89820	1.300"	1-1/4"	Top & Bottom	3540	3541	3542		M - Bottom or Top	99109	89830	89820	1.300"										
1-1/8"	Top	36904				G-2 (With Inserts)	99109	98175	98245	1.265"																																																																																																																																																																																																																																																			
	Bottom	31904									1-1/4"	Top	3610	3611	3612	3613	AMPCO	99585	98265	98275	1.250"	Bottom	3110	3111	3112	3113	1-1/4"	Top	3620				GLOBAL		98175		1.155"	Bottom	3120				1.197"	1-1/4"	Top	3630	3631	3632	3633	FIAT	99574	98175	98185	1.275"	Bottom	3130	3131	3132	3133	1-1/4"	Top	3650	3651		3653	SHANAHAN	98544	98175	98195	1.363"	Bottom	3150	3151		3153	1-1/4"	Top	3660	3661	3662	3663	COLUMBIA	99109	98175	98245	1.265"	Bottom	3160	3161	3162	3163	1-1/4"	Top	3700			3703	ACCURATE				1.200"	Bottom	3200			3203	1-1/4"	Top	3730	3731		3733	FLUSH METAL	98584	98175	98185	1.200"	Bottom	3230	3231		3233	1-1/4"	Top	3790	3681	3682	3793	G-3	99109	98265	98275	1.265"	Bottom	3290	3181	3182	3293	98175	98245	1-1/4"	Top	3860			3863	KNICKERBOCKER (LAMINATE)	98614	97275		1.433"	Bottom	3530			3533	1-1/4"	Top	3810	3811		3813	KNICKERBOCKER & GENERAL (STEEL)	98614	97275	97265	1.385"	Bottom	3310	3311		3313	1-1/4"	Top	3930			3933	METPAR	98584	97235		1.104"	Bottom	3430			3433	1-1/4"	Top	3960				SANYMETAL	98715	97280		1.093"	Bottom	3460				1"	Top & Bottom	3550				M-3 Bottom or Top	99109	89830	89820	1.300"	1-1/4"	Top & Bottom	3540	3541	3542		M - Bottom or Top	99109	89830	89820	1.300"																										
1-1/4"	Top	3610	3611	3612	3613	AMPCO	99585	98265	98275	1.250"																																																																																																																																																																																																																																																			
	Bottom	3110	3111	3112	3113						1-1/4"	Top	3620				GLOBAL		98175		1.155"	Bottom	3120				1.197"	1-1/4"	Top	3630	3631	3632	3633	FIAT	99574	98175	98185	1.275"	Bottom	3130	3131	3132	3133	1-1/4"	Top	3650	3651		3653	SHANAHAN	98544	98175	98195	1.363"	Bottom	3150	3151		3153	1-1/4"	Top	3660	3661	3662	3663	COLUMBIA	99109	98175	98245	1.265"	Bottom	3160	3161	3162	3163	1-1/4"	Top	3700			3703	ACCURATE				1.200"	Bottom	3200			3203	1-1/4"	Top	3730	3731		3733	FLUSH METAL	98584	98175	98185	1.200"	Bottom	3230	3231		3233	1-1/4"	Top	3790	3681	3682	3793	G-3	99109	98265	98275	1.265"	Bottom	3290	3181	3182	3293	98175	98245	1-1/4"	Top	3860			3863	KNICKERBOCKER (LAMINATE)	98614	97275		1.433"	Bottom	3530			3533	1-1/4"	Top	3810	3811		3813	KNICKERBOCKER & GENERAL (STEEL)	98614	97275	97265	1.385"	Bottom	3310	3311		3313	1-1/4"	Top	3930			3933	METPAR	98584	97235		1.104"	Bottom	3430			3433	1-1/4"	Top	3960				SANYMETAL	98715	97280		1.093"	Bottom	3460				1"	Top & Bottom	3550				M-3 Bottom or Top	99109	89830	89820	1.300"	1-1/4"	Top & Bottom	3540	3541	3542		M - Bottom or Top	99109	89830	89820	1.300"																																										
1-1/4"	Top	3620				GLOBAL		98175		1.155"																																																																																																																																																																																																																																																			
	Bottom	3120								1.197"																																																																																																																																																																																																																																																			
1-1/4"	Top	3630	3631	3632	3633	FIAT	99574	98175	98185	1.275"																																																																																																																																																																																																																																																			
	Bottom	3130	3131	3132	3133						1-1/4"	Top	3650	3651		3653	SHANAHAN	98544	98175	98195	1.363"	Bottom	3150	3151		3153	1-1/4"	Top	3660	3661	3662	3663	COLUMBIA	99109	98175	98245	1.265"	Bottom	3160	3161	3162	3163	1-1/4"	Top	3700			3703	ACCURATE				1.200"	Bottom	3200			3203	1-1/4"	Top	3730	3731		3733	FLUSH METAL	98584	98175	98185	1.200"	Bottom	3230	3231		3233	1-1/4"	Top	3790	3681	3682	3793	G-3	99109	98265	98275	1.265"	Bottom	3290	3181	3182	3293	98175	98245	1-1/4"	Top	3860			3863	KNICKERBOCKER (LAMINATE)	98614	97275		1.433"	Bottom	3530			3533	1-1/4"	Top	3810	3811		3813	KNICKERBOCKER & GENERAL (STEEL)	98614	97275	97265	1.385"	Bottom	3310	3311		3313	1-1/4"	Top	3930			3933	METPAR	98584	97235		1.104"	Bottom	3430			3433	1-1/4"	Top	3960				SANYMETAL	98715	97280		1.093"	Bottom	3460				1"	Top & Bottom	3550				M-3 Bottom or Top	99109	89830	89820	1.300"	1-1/4"	Top & Bottom	3540	3541	3542		M - Bottom or Top	99109	89830	89820	1.300"																																																																											
1-1/4"	Top	3650	3651		3653	SHANAHAN	98544	98175	98195	1.363"																																																																																																																																																																																																																																																			
	Bottom	3150	3151		3153						1-1/4"	Top	3660	3661	3662	3663	COLUMBIA	99109	98175	98245	1.265"	Bottom	3160	3161	3162	3163	1-1/4"	Top	3700			3703	ACCURATE				1.200"	Bottom	3200			3203	1-1/4"	Top	3730	3731		3733	FLUSH METAL	98584	98175	98185	1.200"	Bottom	3230	3231		3233	1-1/4"	Top	3790	3681	3682	3793	G-3	99109	98265	98275	1.265"	Bottom	3290	3181	3182	3293	98175	98245	1-1/4"	Top	3860			3863	KNICKERBOCKER (LAMINATE)	98614	97275		1.433"	Bottom	3530			3533	1-1/4"	Top	3810	3811		3813	KNICKERBOCKER & GENERAL (STEEL)	98614	97275	97265	1.385"	Bottom	3310	3311		3313	1-1/4"	Top	3930			3933	METPAR	98584	97235		1.104"	Bottom	3430			3433	1-1/4"	Top	3960				SANYMETAL	98715	97280		1.093"	Bottom	3460				1"	Top & Bottom	3550				M-3 Bottom or Top	99109	89830	89820	1.300"	1-1/4"	Top & Bottom	3540	3541	3542		M - Bottom or Top	99109	89830	89820	1.300"																																																																																											
1-1/4"	Top	3660	3661	3662	3663	COLUMBIA	99109	98175	98245	1.265"																																																																																																																																																																																																																																																			
	Bottom	3160	3161	3162	3163						1-1/4"	Top	3700			3703	ACCURATE				1.200"	Bottom	3200			3203	1-1/4"	Top	3730	3731		3733	FLUSH METAL	98584	98175	98185	1.200"	Bottom	3230	3231		3233	1-1/4"	Top	3790	3681	3682	3793	G-3	99109	98265	98275	1.265"	Bottom	3290	3181	3182	3293	98175	98245	1-1/4"	Top	3860			3863	KNICKERBOCKER (LAMINATE)	98614	97275		1.433"	Bottom	3530			3533	1-1/4"	Top	3810	3811		3813	KNICKERBOCKER & GENERAL (STEEL)	98614	97275	97265	1.385"	Bottom	3310	3311		3313	1-1/4"	Top	3930			3933	METPAR	98584	97235		1.104"	Bottom	3430			3433	1-1/4"	Top	3960				SANYMETAL	98715	97280		1.093"	Bottom	3460				1"	Top & Bottom	3550				M-3 Bottom or Top	99109	89830	89820	1.300"	1-1/4"	Top & Bottom	3540	3541	3542		M - Bottom or Top	99109	89830	89820	1.300"																																																																																																											
1-1/4"	Top	3700			3703	ACCURATE				1.200"																																																																																																																																																																																																																																																			
	Bottom	3200			3203						1-1/4"	Top	3730	3731		3733	FLUSH METAL	98584	98175	98185	1.200"	Bottom	3230	3231		3233	1-1/4"	Top	3790	3681	3682	3793	G-3	99109	98265	98275	1.265"	Bottom	3290	3181	3182	3293	98175	98245	1-1/4"	Top	3860			3863	KNICKERBOCKER (LAMINATE)	98614	97275		1.433"	Bottom	3530			3533	1-1/4"	Top	3810	3811		3813	KNICKERBOCKER & GENERAL (STEEL)	98614	97275	97265	1.385"	Bottom	3310	3311		3313	1-1/4"	Top	3930			3933	METPAR	98584	97235		1.104"	Bottom	3430			3433	1-1/4"	Top	3960				SANYMETAL	98715	97280		1.093"	Bottom	3460				1"	Top & Bottom	3550				M-3 Bottom or Top	99109	89830	89820	1.300"	1-1/4"	Top & Bottom	3540	3541	3542		M - Bottom or Top	99109	89830	89820	1.300"																																																																																																																											
1-1/4"	Top	3730	3731		3733	FLUSH METAL	98584	98175	98185	1.200"																																																																																																																																																																																																																																																			
	Bottom	3230	3231		3233						1-1/4"	Top	3790	3681	3682	3793	G-3	99109	98265	98275	1.265"	Bottom	3290	3181	3182	3293	98175	98245	1-1/4"	Top	3860			3863	KNICKERBOCKER (LAMINATE)	98614	97275		1.433"	Bottom	3530			3533	1-1/4"	Top	3810	3811		3813	KNICKERBOCKER & GENERAL (STEEL)	98614	97275	97265	1.385"	Bottom	3310	3311		3313	1-1/4"	Top	3930			3933	METPAR	98584	97235		1.104"	Bottom	3430			3433	1-1/4"	Top	3960				SANYMETAL	98715	97280		1.093"	Bottom	3460				1"	Top & Bottom	3550				M-3 Bottom or Top	99109	89830	89820	1.300"	1-1/4"	Top & Bottom	3540	3541	3542		M - Bottom or Top	99109	89830	89820	1.300"																																																																																																																																											
1-1/4"	Top	3790	3681	3682	3793	G-3	99109	98265	98275	1.265"																																																																																																																																																																																																																																																			
	Bottom	3290	3181	3182	3293			98175	98245																																																																																																																																																																																																																																																				
1-1/4"	Top	3860			3863	KNICKERBOCKER (LAMINATE)	98614	97275		1.433"																																																																																																																																																																																																																																																			
	Bottom	3530			3533						1-1/4"	Top	3810	3811		3813	KNICKERBOCKER & GENERAL (STEEL)	98614	97275	97265	1.385"	Bottom	3310	3311		3313	1-1/4"	Top	3930			3933	METPAR	98584	97235		1.104"	Bottom	3430			3433	1-1/4"	Top	3960				SANYMETAL	98715	97280		1.093"	Bottom	3460				1"	Top & Bottom	3550				M-3 Bottom or Top	99109	89830	89820	1.300"	1-1/4"	Top & Bottom	3540	3541	3542		M - Bottom or Top	99109	89830	89820	1.300"																																																																																																																																																																													
1-1/4"	Top	3810	3811		3813	KNICKERBOCKER & GENERAL (STEEL)	98614	97275	97265	1.385"																																																																																																																																																																																																																																																			
	Bottom	3310	3311		3313						1-1/4"	Top	3930			3933	METPAR	98584	97235		1.104"	Bottom	3430			3433	1-1/4"	Top	3960				SANYMETAL	98715	97280		1.093"	Bottom	3460				1"	Top & Bottom	3550				M-3 Bottom or Top	99109	89830	89820	1.300"	1-1/4"	Top & Bottom	3540	3541	3542		M - Bottom or Top	99109	89830	89820	1.300"																																																																																																																																																																																													
1-1/4"	Top	3930			3933	METPAR	98584	97235		1.104"																																																																																																																																																																																																																																																			
	Bottom	3430			3433						1-1/4"	Top	3960				SANYMETAL	98715	97280		1.093"	Bottom	3460				1"	Top & Bottom	3550				M-3 Bottom or Top	99109	89830	89820	1.300"	1-1/4"	Top & Bottom	3540	3541	3542		M - Bottom or Top	99109	89830	89820	1.300"																																																																																																																																																																																																													
1-1/4"	Top	3960				SANYMETAL	98715	97280		1.093"																																																																																																																																																																																																																																																			
	Bottom	3460									1"	Top & Bottom	3550				M-3 Bottom or Top	99109	89830	89820	1.300"	1-1/4"	Top & Bottom	3540	3541	3542		M - Bottom or Top	99109	89830	89820	1.300"																																																																																																																																																																																																																													
1"	Top & Bottom	3550				M-3 Bottom or Top	99109	89830	89820	1.300"																																																																																																																																																																																																																																																			
1-1/4"	Top & Bottom	3540	3541	3542		M - Bottom or Top	99109	89830	89820	1.300"																																																																																																																																																																																																																																																			



Post	Door	Pivot Hinge (Roller Bearing Design)			
1/2"	1/2"				7803
3/4" & 1"	1/2"				7853 Includes 3/4" Inserts
3/4" & 1"	3/4" & 1"				7813 Includes 3/4" Inserts

## Wrap Around Gravity Pivot Hinges

### Round Edge Posts



3510



3010



3900



4533



3910



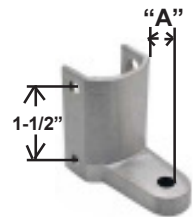
3060



4043



3420



Post Size	Location	Chrome Plated Zamac	Chrome Plated Brass	Polished Brass	Cast S.S.	Description	Use Pin	Use Pintle or Candle	Use Cam	"A" Dim
1-1/4"	Top	3510	3511	3512	3513	FLUSH METAL	98584	98175	98185	1.085"
	Bottom	3010	3011	3012	3013					1.156"
1-1/4"	Top	3900			3903	SANY METAL	98715	97290		1.065"
	Bottom	3060			3403					
1-1/4"	Top	3910			3913	KNICKERBOCKER & GENERAL	98614	97265		1.385"
	Bottom	3420			3423			97275		
1-1/4"	Top	4530	4531		4533	METPAR	98584		97235	1.070"
	Bottom	4040	4041		4043			1.104"		
1-1/4"	Top	4530	4531		4533	AMPCO	98584	98175	98185	1.070"
	Bottom	4040	4041		4043					1.104"



3710



3753



3210



3253



3740  
3880, 3940,  
3970



3240  
3280, 3470,  
3870

### Flats

Location	Chrome Plated Zamac	Chrome Plated Brass	Polished Brass	Cast S.S.	Description	Use Pin	Use Pintle or Candle		"A" Dim
Top	3710			3713	ACCURATE				1.200"
Bottom	3210			3213					
Top	3740	3741		3743	AMPCO (LAMINATE)	99585	98265	98275	1.250"
Bottom	3240	3241		3243					
Top	3880		3883		AMPCO & METPAR (STEEL)	98584	97245	98185	1.104"
Bottom	3280		3283				98175		
Top	3750	3751	3752	3753	G-3	99109	98265	98275	1.265"
Bottom	3250	3251	3252	3253			98175		
Top	3940			3943	KNICKERBOCKER (LAMINATE)	98614	97275		1.433"
Bottom	3870			3873					
Top	3970	3971		3973	KNICKERBOCKER & GENERAL (STEEL)	98614	97275	97265	1.385"
Bottom	3470	3471		3473					

**Square Edge Posts**

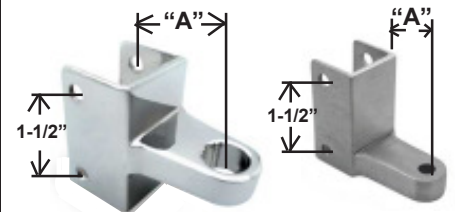
3610  
3620, 3630,  
3650, 3660  
3730, 3810,  
3860, 3930



3110  
3120, 3130,  
3150, 3160  
3230, 3310,  
3430, 3530



Post Size	Location	Chrome Plated Zamac	Chrome Plated Brass	Polished Brass	Cast S.S.	Description	Use Pin	Use Pintle or Candle	Use Cam	"A" Dim
1/2"	Top	3720				G-1/2	99585	98265	98275	1.265"
	Bottom	3220								
1"	Top	3760			3763	G-4	99109	98265	98275	1.265"
	Bottom	3260			3263					
1-1/8"	Top	36904				G-2 (With Inserts)	99109	98175	98245	1.265"
	Bottom	31904								
1-1/4"	Top	3610	3611	3612	3613	AMPSCO	99585	98265	98275	1.250"
	Bottom	3110	3111	3112	3113					
1-1/4"	Top	3620				GLOBAL		98175		1.155"
	Bottom	3120								1.197"
1-1/4"	Top	3630	3631	3632	3633	FIAT	99574	98175	98185	1.275"
	Bottom	3130	3131	3132	3133					
1-1/4"	Top	3650	3651		3653	SHANAHAN	98544	98175	98195	1.363"
	Bottom	3150	3151		3153					
1-1/4"	Top	3660	3661	3662	3663	COLUMBIA	99109	98175	98245	1.265"
	Bottom	3160	3161	3162	3163					
1-1/4"	Top	3700			3703	ACCURATE				1.200"
	Bottom	3200			3203					
1-1/4"	Top	3730	3731		3733	FLUSH METAL	98584	98175	98185	1.200"
	Bottom	3230	3231		3233					
1-1/4"	Top	3790	3681	3682	3793	G-3	99109	98265	98275	1.265"
	Bottom	3290	3181	3182	3293			98175	98245	
1-1/4"	Top	3860			3863	KNICKERBOCKER (LAMINATE)	98614	97275		1.433"
	Bottom	3530			3533					
1-1/4"	Top	3810	3811		3813	KNICKERBOCKER & GENERAL (STEEL)	98614	97275	97265	1.385"
	Bottom	3310	3311		3313					
1-1/4"	Top	3930			3933	METPAR	98584	97235		1.104"
	Bottom	3430			3433					
1-1/4"	Top	3960				SANYMETAL	98715	97280		1.093"
	Bottom	3460								
1"	Top & Bottom	3550				M-3 Bottom or Top	99109	89830	89820	1.300"
1-1/4"	Top & Bottom	3540	3541	3542		M - Bottom or Top	99109	89830	89820	1.300"



Post	Door	Pivot Hinge (Roller Bearing Design)			
1/2"	1/2"				7803
3/4" & 1"	1/2"				7853
3/4" & 1"	3/4" & 1"				7813

**Round Edge Posts**

Post Size	Location	Chrome Plated Zamac	Chrome Plated Brass	Polished Brass	Cast S.S.	Description	Use Pin	Use Pintle or Candle	Use Cam	"A" Dim
1-1/4"	Top	3510	3511	3512	3513	FLUSH METAL	98584	98175	98185	1.085"
	Bottom	3010	3011	3012	3013					1.156"
1-1/4"	Top	3900			3903	SANY METAL	98715	97290		1.065"
	Bottom	3060			3403					
1-1/4"	Top	3910			3913	KNICKERBOCKER & GENERAL	98614	97265		1.385"
	Bottom	3420			3423			97275		
1-1/4"	Top	4530	4531		4533	METPAR	98584		97235	1.070"
	Bottom	4040	4041		4043			1.104"		
1-1/4"	Top	4530	4531		4533	AMPKO	98584	98175	98185	1.070"
	Bottom	4040	4041		4043					1.104"



3510



3010



3900



4533



3910



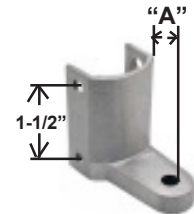
3060



4043



3420

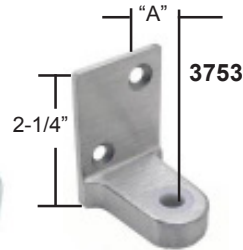


**Flats**

Location	Chrome Plated Zamac	Chrome Plated Brass	Polished Brass	Cast S.S.	Description	Use Pin	Use Pintle or Candle		"A" Dim
Top	3710			3713	ACCURATE				1.200"
Bottom	3210			3213					
Top	3740	3741		3743	AMPKO (LAMINATE)	99585	98265	98275	1.250"
Bottom	3240	3241		3243					
Top	3880		3883		AMPKO & METPAR (STEEL)	98584	97245	98185	1.104"
Bottom	3280		3283				98175		
Top	3750	3751	3752	3753	G-3	99109	98265	98275	1.265"
Bottom	3250	3251	3252	3253			98175	98245	
Top	3940			3943	KNICKERBOCKER (LAMINATE)	98614	97275		1.433"
Bottom	3870			3873					
Top	3970	3971		3973	KNICKERBOCKER & GENERAL (STEEL)	98614	97275	97265	1.385"
Bottom	3470	3471		3473					



3710



3753



3210



3253

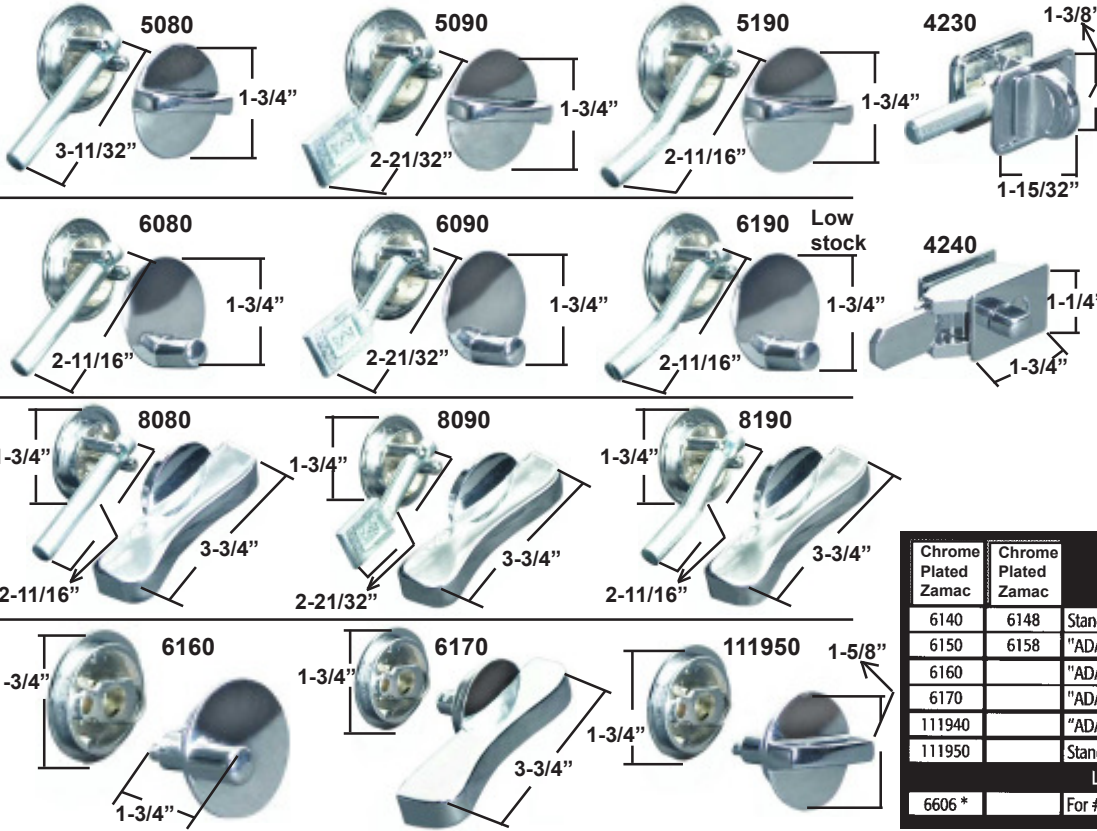


3740  
3880, 3940,  
3970



3240  
3280, 3470,  
3870

**Concealed Latches & Knob Sets**



**For 1" Doors**

Chrome Plated Zamac	CONCEALED LATCHES
5080	Laminate Doors
5090	Steel Doors - Flat Tip Bar
5190	Steel Doors
"ADA" DOORS	
6080	Laminate Doors
6090	Steel Doors - Flat Tip Bar
6190	Steel Doors
8080	Laminate Doors
8090	Steel Doors - Flat Tip Bar
8190	Steel Doors
8860	Steel Doors
SQUARE OPENINGS	
4230	Steel Doors
4240	Steel Doors with Indicator

Chrome Plated Zamac	Chrome Plated Zamac	Knob Sets
6140	6148	Standard - For #6606 Housing
6150	6158	"ADA" - For #6606 Housing
6160		"ADA" - For Knickerbocker & General Housing
6170		"ADA" - For Knickerbocker & General Housing
111940		"ADA" - For Sanymetal Housing
111950		Standard - For Knickerbocker & General Housing
LATCH HOUSING		
6606 *		For #6140 & 6150 Knob Sets *Non-Plated

**Door Pulls & Fix-It Kits**



Chrome Plated Zamac	Chrome Plated Brass	Polished Brass	Cast Stainless Steel	Stamped Stainless Steel	DOOR PULLS
5400	5401	5402	5403		3-1/2" Centers
	5421	5422	5423		4" Centers
5440			5443		3-1/2" Centers (Used with #5400)
54400			54403		Door Pull Set (#5400 & 5440 with mounting hardware)
6200	6201	6202	6203		2-3/4" Centers
	6251		6253		3" High "ADA"
				6419	5" Centers
6020					2-5/8" Centers

Chrome Plated Zamac	Cast Stainless Steel	FIX-IT KITS (with stainless plate) (see inside back cover)
SQUARE EDGE DOORS		
115490		Fix-It Kit for Inswing Doors - 1"
115500		Fix-It Kit for Outswing Doors - 1"
115510		Fix-It Kit for Outswing Doors - 1" (with Door Pull)
RADIAL EDGE DOORS		
111680		Fix-It Kit for Inswing Doors - 1"
111690		Fix-It Kit for Outswing Doors - 1"
111700		Fix-It Kit for Outswing Doors - 1" (with Door Pull)
DOOR HOOK		
	115523	Fix-It Kit (Uses #4113 Hook)

## Pilaster Shoes & Anchoring Devices



All shoes are made of 22 gauge #304 stainless steel with #4 satin finish



### \*3" HIGH PILASTER SHOES

### \*4" HIGH PILASTER SHOES

Length	Width					
	1/2"	3/4"	7/8"	1"	1-1/8"	1-1/4"
2"	36029	35029	31029	34029	33029	32029
3"	36039	35039	31039	34039	33039	32039
4"	36049	35049	31049	34049	33049	32049
5"	36059	35059	31059	34059	33059	32059
6"	36069	35069	31069	34069	33069	32069
7"	36079	35079	31079	34079	33079	32079
8"	36089	35089	31089	34089	33089	32089
9"	36099	35099	31099	34099	33099	32099
10"	36109	35109	31109	34109	33109	32109
11"	36119	35119	31119	34119	33119	32119
12"	36129	35129	31129	34129	33129	32129
13"	36139	35139	31139	34139	33139	32139
14"	36149	35149	31149	34149	33149	32149
15"		35159	31159	34159	33159	32159
16"	36169	35169	31169	34169	33169	32169
17"		35179	31179	34179	33179	32179
18"	36189	35189	31189	34189	33189	32189
19"	36199	35199		34199	33199	32199
20"	36209	35209	31209	34209	33209	32209
21"		35219	31219	34219		32219
22"	36229	35229	31229	34229	33229	32229
23"		35239	31239	34239		32239
24"	36249	35249	31249	34249	33249	32249
25"	36259	35259	31259	34259	33259	32259
26"	36269	35269		34269	33269	32269
28"	36289	35289	31289	34289	33289	32289
30"	36309	35309	31309	34309	33309	32309

Length	Width					
	1/2"	3/4"	7/8"	1"	1-1/8"	1-1/4"
2"	46029	45029	41029	44029	43029	42029
3"	46039	45039	41039	44039	43039	42039
4"	46049	45049	41049	44049	43049	42049
5"	46059	45059	41059	44059	43059	42059
6"	46069	45069	41069	44069	43069	42069
7"	46079	45079	41079	44079	43079	42079
8"	46089	45089	41089	44089	43089	42089
9"	46099	45099	41099	44099	43099	42099
10"	46109	45109	41109	44109	43109	42109
11"	46119	45119	41119	44119	43119	42119
12"	46129	45129	41129	44129	43129	42129
13"		45139	41139	44139	43139	42139
14"	46149	45149	41149	44149	43149	42149
15"		45159		44159	43159	42159
16"	46169	45169	41169	44169	43169	42169
17"			41179	44179		42179
18"	46189	45189	41189	44189	43189	42189
19"			41199	44199	43199	42199
20"	46209	45209	41209	44209	43209	42209
21"		45219	41219	44219	43219	42219
22"	46229	45229	41229	44229	43229	42229
23"			41239	44239		42239
24"	46249	45249	41249	44249	43249	42249
25"		45259	41259	44259	43259	42259
26"	46269	45269		44269	43269	42269
28"	46289	45289		44289	43289	42289
30"	46309	45309	41309	44309	43309	42309

### 4" HIGH 'OFFSET' PILASTER SHOES

Length	Width*		
	1/2"	3/4"	1"
2"	56029	55029	54029
3"	56039	55039	54039
4"	56049	55049	54049
5"	56059	55059	54059
6"	56069	55069	54069
7"	56079	55079	54079
8"	56089	55089	54089
9"	56099	55099	54099
10"	56109	55109	54109
12"	56129	55129	54129
14"	56149	55149	54149
16"	56169	55169	54169
18"	56189	55189	54189
20"	56209	55209	54209
22"	56229	55229	54229
24"	56249	55249	54249

widths measured at top opening

\*Custom sizes available upon request.  
Open ended available in all sizes.



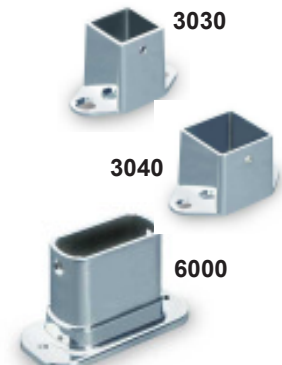
### ANCHOR SHOES

Length	Width		Length	Width	
	1-1/4"	1"		1-1/4"	1"
2"	61029		3"	30039	48039
3"	61039	62039	4"	30049	48049
4"	61049	62049	5"	30059	48059
5"	61059	62059	6"	30069	48069
6"	61069	62069	7"	30079	48079
7"	61079	62079	8"	30089	48089
8"	61089	62089	9"	30099	48099
9"		62099	10"	30109	48109
10"	61109	62109	11"	30119	
12"	61129	62129	12"	30129	48129
14"		62149	14"	30149	48149
18"	61189	62189	16"	30169	
20"	61209		18"	30189	48189
21"		62219	20"	30209	
24"	61249	62249	22"	30229	
30"		62309	24"	30249	48249

PART #	DESCRIPTION
3030	1-1/4" Pilaster Shoe (Use with #98334 Tube)
3040	1-3/4" Pilaster Shoe (Use with #98434 Tube)
6000	1-1/4" x 3" Post Shoe
8503	1-1/4" Pilaster Anchor Bracket (11-1/2" - 14" Range)
85083	1-1/4" Pilaster Anchor Bracket (9-1/2" - 12" Range)
85093	1-1/4" Pilaster Anchor Bracket (7-1/2" - 10" Range)
8513	1-1/4" Pilaster Anchor Bracket - One Ear (11-1/2" - 14" Range)
85183	1-1/4" Pilaster Anchor Bracket - One Ear (9-1/2" - 12" Range)
85193	1-1/4" Pilaster Anchor Bracket - One Ear (7-1/2" - 10" Range)

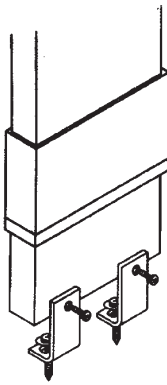
8503  
85083  
85093

8513  
85183  
85193



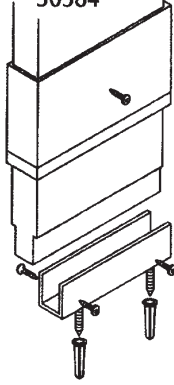
**Pilaster Post Anchoring Packs & Devices**

30414



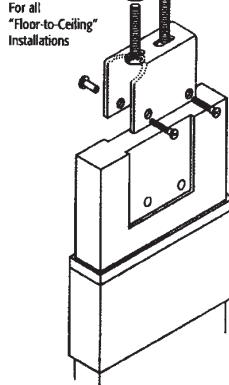
For 1" Thick and Larger Pilaster Posts.

30524, 30544,  
30584



30524 For 1-1/4" X 2" to 4" Posts.  
30544 For 1-1/4" X 4" to 7" Posts.  
30584 For 1-1/4" X 8" & Up.

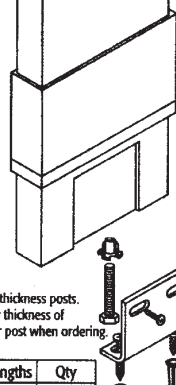
30619



For all "Floor-to-Ceiling" Installations

For all size posts. Specify thickness of Pilaster Post when ordering.

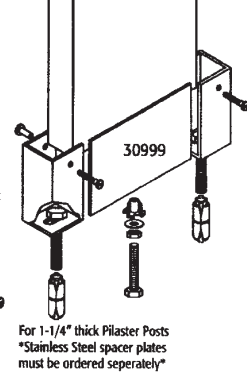
30719



For all thickness posts. Specify thickness of pilaster post when ordering.

Post Lengths	Qty
3" - 5"	one pc
6" - 17"	two pcs
18" +	3 pcs

30810

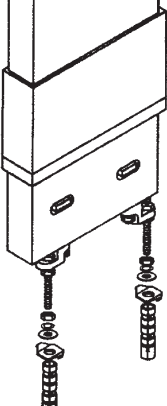


For 1-1/4" thick Pilaster Posts "Stainless Steel spacer plates must be ordered separately"

30999

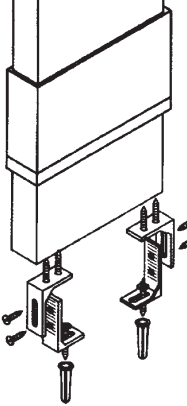
Stainless Steel spacer plates measure 3"x10" Other lengths can be fabricated upon request.

31016



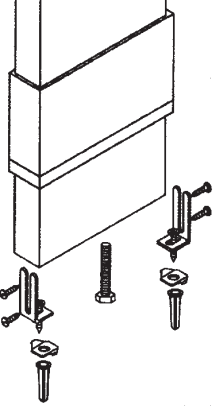
For 1-1/4" & 1-1/8" Posts.

31056



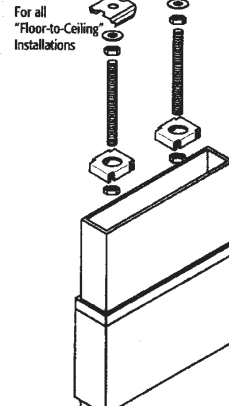
For 3/4" thick & larger Pilaster Posts.

74030



For 1-1/4" & 1-1/8" Posts.

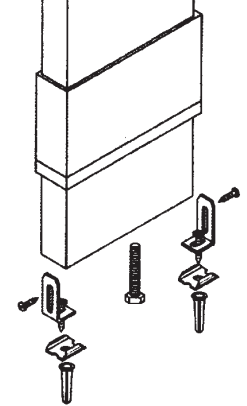
83314



For all "Floor-to-Ceiling" Installations

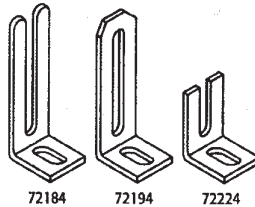
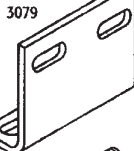
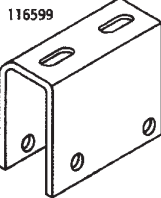
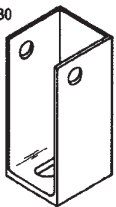
For 1-1/4" steel Pilaster Posts.

83354

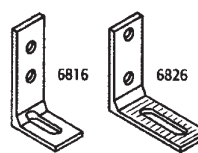


For 1-1/4" & 1-1/8" Posts.

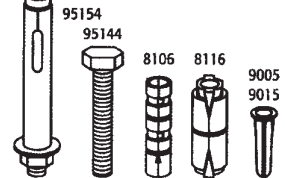
3080



72184 72194 72224



6816 6826



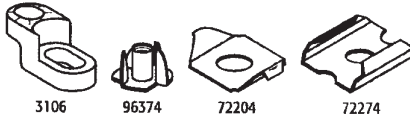
95154 95144 8106 8116 9005 9015



96356 72214 96924 96324 96914

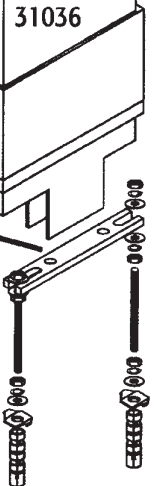


87304-87934



3106 96374 72204 72274

PILASTER MOUNTING BARS	
Part #	Post Size
65039	3"
65049	4"
65059	5"
65069	6"
65079	7"
65089	8"
65099	9"
65109	10"
65129	12"

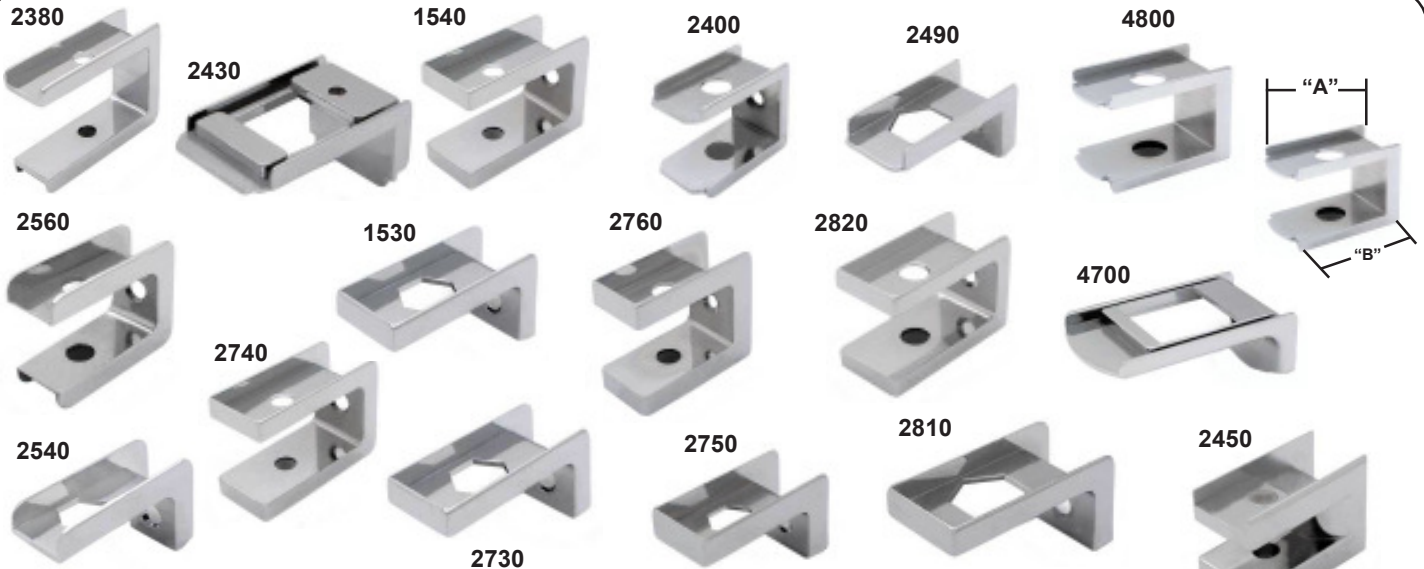


31036

Consists of Fasteners only. Mounting Bars must be ordered separately.

PART #	DESCRIPTION
3079	3" x 2-1/2" L-Bracket
3080	1-1/4" Split Pilaster Shoe (One-Piece)
3106	Pilaster Foot
6816	Top L-Anchor for Plastic Laminate
6826	Bottom L-Anchor for Plastic Laminate
8106	3/8" Expansion Floor Anchor
8116	3/8" Double Expansion Floor Anchor
9005	Plastic Anchor for #10 - 12 Screws
9015	Plastic Anchor for #14 - 16 Screws
30999	3" x 10" Spacer Plate (Two-Pack) Used with #3080
72184	Pilaster Anchor Fork (Open)
72194	Pilaster Anchor Fork (Closed)
72204	Spring Clip
72214	Box Clamp Anchor

PART #	DESCRIPTION
72224	Pilaster Anchoring Fork - Half Height (Open)
72274	Spring Clip
87304	3/8-16 x 4" Threaded Rod - Zinc Plated
87334	3/8-16 x 6" Threaded Rod - Zinc Plated
87374	3/8-16 x 8" Threaded Rod - Zinc Plated
87394	3/8-16 x 10" Threaded Rod - Zinc Plated
95144	3/8-16 x 2-1/2" Hex Bolt - Zinc Plated
95154	1/2" x 3" Anchor Sleeve with 3/8 Nut & Washer
96324	3/8-16 Hex Nut
96356	3/8-16 x 7/8" Square Nut
96374	3/8-16 4-Prong T-Nut
96914	3/8" Split Lock Washer
96924	3/8" Flat Washer
116599	3/4" X-Long U-Bracket



**FOR SQUARE EDGE DOORS**

Post Size	Location	Chrome Plated Zamac	Brass Plated Zamac	Satin Finish Zamac	Description	Use Pin	Use Pintle or Candle	Use Cam	"A" Dim	"B" Dim
1/2"	Top	2380				99585	Candle 98265	98275	2-1/16"	1-1/2"
	Bottom	2390							2"	
3/4"	Top	2560		2568		99109	98265	98275	2-11/32"	1-3/4"
	Bottom	2540		2548					2-5/16"	1-3/8"
7/8"	Top	1540	1542	1548		99109	98265	98275	2-3/8"	1-5/8"
	Bottom	1530	1532	1538					2-5/16"	1-3/16"
7/8"	Top	2740		2748	AMPCO	98585	98265	98275	2-3/8"	1-5/8"
	Bottom	2730		2738					2-5/16"	1-3/16"
7/8"	Top	2770		2778		99109	98265	98275	2-1/2"	1-1/2"
	Bottom	2780		2788					2-15/32"	1-15/16"
1"	Top	2400	2402			99109	98175	98245	2-7/32"	1-23/32"
	Bottom	2490	2492						2-11/32"	1-3/16"
1"	Top	2450			SANYMETAL	98715	INCLUDED		2-9/32"	1-5/8"
	Bottom	97280							2-5/16"	1"
1"	Top	2720		2728	AMPCO	99585	98265	98275	2-11/32"	1-5/8"
	Bottom	2710		2718					2-5/16"	1-3/16"
1"	Top	2760		2768		99109	98265	98275	2-15/32"	2-5/32"
	Bottom	2750		2758					2-1/2"	1-3/8"
1"	Top	2820	2822	2828		99109	98175	98245	2-11/32"	1-5/8"
	Bottom	2810	2812	2818					2-5/16"	1-3/16"
1"	Top	4800			FIAT	99574	98175	98195	2-3/16"	1-5/8"
	Bottom	4700							2-1/8"	13/16"
1"	Top & Bottom	1680		1688	CAPITAL	99109	89830	89820	2-5/16"	2-3/16"
1-1/4"	Top	2420			SHANAHAN	98544	98175	98195	2-9/32"	1-23/32"
	Bottom	2430							2-1/4"	1-1/8"

**FOR ROUND EDGE (METAL) DOORS**

Post Size	Location	Chrome Plated Zamac	Unplated Zamac	Description	Use Pin	Use Pintle or Candle	Use Cam
1"	Top	4540	4546	AMOCO & METPAR	98584	98175	98185
	Bottom	4060	4066				
1"	Top	4550	4556	FLUSH METAL	98584	98175	98185
	Bottom	4090	4096				
1"	Top		4646	GENERAL & KNICKERBOCKER	98614	97275	97265
	Bottom		4636				
1"	Top	4680	4686	SANYMETAL	98715	INCLUDED	
	Bottom	97290	97295				





1550



8340



8309



8330

8329



8349



**ALCOVE CLIPS**



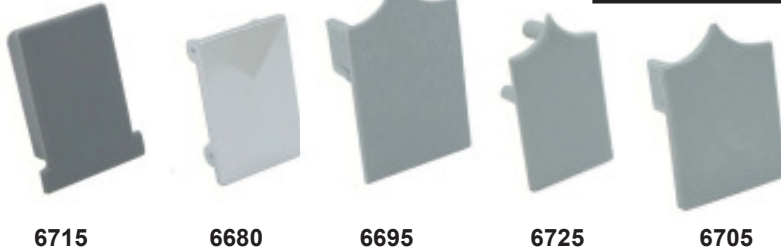
6670

6675

6660

6665

POST SIZE	CHROME PLATED ZAMAC	CHROME PLATED BRASS	POLISHED BRASS	CAST STAINLESS STEEL	STAMPED STAINLESS STEEL	DESCRIPTION
1" to 1-1/4"	1550					Right Angle-Curved Molding (Metpar)
1" to 1-1/4"	8330					Right Angle-Curved Molding (Flush Metal)
ALL					8329	Offset-Double High (1/2", 1/4" Per Side)
ALL	8340	8341	8342	8343	8349	Offset-Laminate 1/4" (1/8" Per Side)
ALL					8369	Equal Panel & Post (1-1/2" High x 2-5/8" Long)
ALL					8309	Equal Panel & Post (3" High x 2-3/4" Long)
ALL					8319	Equal Panel & Post (3" High x 54" Long)
ALL					111139	Equal Panel & Post (3" High x 57" Long)



6715

6680

6695

6725

6705

**HEADRAIL END PLUGS**

POST SIZE	CHROME PLATED ZAMAC	SILVER PAINTED STEEL	GRAY NYLON	DESCRIPTION
ALL	6670	6672	6675	Anti-Grip (For all Jacknob Headrail)
1"	6660		6665	Rectangle
1"			6715	Flat (Marlite)
1-1/4"	6680			Rectangle
1-1/2"			6695	Anti-Grip (Shanahan)
1-1/4"			6725	Anti-Grip (Columbia)
1-1/2"			6705	Anti-Grip (Columbia)
3/4"	6710			Rectangle (Ampco)
1"	6700			Rectangle (Ampco)
1-1/4"	6690			Rectangle (Ampco)
3/4"			6835	For Headrail with Tracks
1"			6765	For Headrail with Tracks
1-1/4"			6845	For Headrail with Tracks



6710

6700

6690

**SQUARE TUBING**

ALUMINUM	DESCRIPTION
98334	1-1/4" x 10' Length (Use with #3030 Post Shoe)
98434	1-3/4" x 10' Length (Use with #3040 Post Shoe)

**HEAT SINK ("T" Style)**

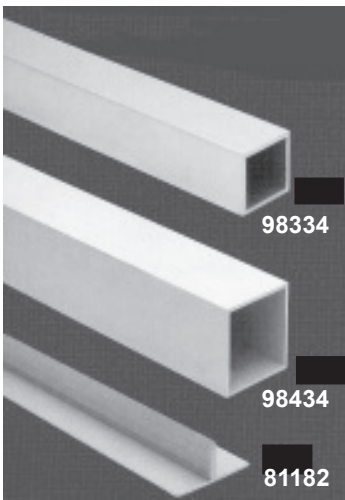
ALUMINUM	DESCRIPTION
81172	1" x 10' Length
81182	1" x 5' Length

**POST CAPS & PLUGS**

CHROME PLATED ZAMAC	NYLON	DESCRIPTION
6500		1-3/4" Square Post Cap
	6515	1-3/4" Square Post Plug

**CURTAIN HOOKS**

BRASS NICKEL PLATED	STAINLESS STEEL	DESCRIPTION
6281		For 1-1/8" Square & Round
	6290	Used with Headrail Containing Curtain Tracks



98334

98434

81182

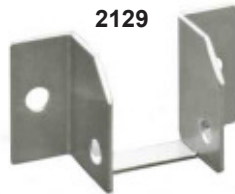
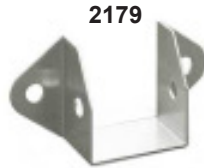


6500

6515

6281

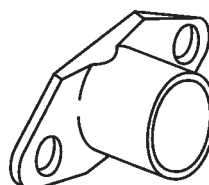
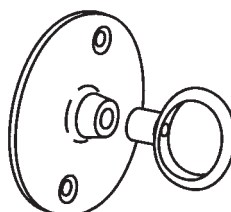
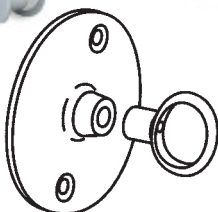
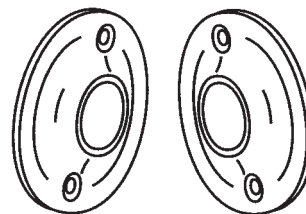
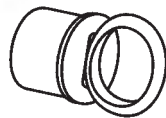
6290



EXTRUDED ALUMINUM HEADRAIL				
POST SIZE	LENGTHS			
	62"	84"	8-1/2'	10'
1/2"			80022	80122
3/4"			80032	80132
1"			80042	80142
1-1/4"			80052	80152
3/4"				80188
1"	80268	80368		80168



POST SIZE	CHROME PLATED ZAMAC	ANODIZED ALUMINUM EXTRUSION	STAMPED STAINLESS STEEL	DESCRIPTION
HEADRAIL CONNECTOR PACKS				
3/4"		15762		Headrail Connector Pack (with Fasteners)
1"		15772		Headrail Connector Pack (with Fasteners)
1-1/4"		15782		Headrail Connector Pack (with Fasteners)
HEADRAIL BRACKETS				
1"	2110			Headrail Bracket (ASP)
1"			2139	Headrail Bracket (Mini)
1"	2150		2169	Headrail Bracket
1-1/4"	2170	2172 *	2179	Headrail Bracket *(Aluminum Painted Zamac)
3/4"			2109	For Headrail with Track
1"			2129	For Headrail with Track
1-1/4"			2579	For Headrail with Track



PAPER ROLL HOLDERS	
CHROME PLATED STEEL	DESCRIPTION
7359	Single Roll Paper Holder
207359	Single Roll (Case of 50)
7369	Double Roll Paper Holder
207369	Double Roll (Case of 25)
CURTAIN ROD FLANGES	
CHROME PLATED STEEL	DESCRIPTION
16120	3/4" Eye Loop Pack (with Fasteners)
16110	1" Eye Loop Pack (with Fasteners)
6220	1" End Flange
16140	1" Rod Holder Set (with Fasteners)
6130	1" Eye Loop (2 pc)

## SCREW PACKS

ONE WAY				SIX-LOBE		USED FOR	For Material Thickness or Depth
CHROME PLATED STEEL	CHROME PLATED BRASS	BRASS PLATED STAINLESS	STAINLESS STEEL	CHROME PLATED STEEL	STAINLESS STEEL		
10	11	12	19	60010	60019	1-1/4" Hinge or Strike and Keeper	1-1/4"
20	21	22	29	60020	60029	1" Wall Bracket	1"
30		32	39	60030	60039	"U" Bracket	7/8" to 1-1/4"
40	41	42	49	60040	60049	Two Piece Wall Bracket	7/8" to 1-1/4"
50		52	59	60050	60059	5020 Slide Latch	7/8" to 1-1/4"
60		62	69	60060	60069	5020 Slide Latch and Door Pull	5/8" to 1-1/8"
70			79			Urinal Screen Bracket	7/8" to 1-1/4"
80	81	82	89	60080	60089	5050 or 5151 Latches	1"
90		92	99	60090	60099	5050 Latch and Door Pull	1" to 1-1/4"
100		102	109	60100	60109	Hook or Door Stop	7/8" Min.
110				60110		Paper Roll Holder (#12 x 1-1/2" Screws)	1" Min.
120				60120		Paper Roll Holder (#14 x 1-1/2" Screws)	1" Min.
130				60130		Flat Strike & Keeper	1" Min.
140	141	142	149	60140	60149	1-1/4" Wall Bracket	1-1/4"
150						3040 Pilaster Shoe	1-3/4"
160	161	162	169	60160	60169	8340 Alcove Clips (2 pc)	1" to 1-1/4"
220		222	229		60229	5400 Door Pull	7/8" to 1-1/4"
240			249		60249	5701/5703 Throw Latch	7/8" to 1-1/8"
250			259			6200 Door Pull	1/2" to 1"
260			269			Open End Pilaster Shoe	5/8" Min.
270			279			6251/6253 Door Pull	3/4" to 1"
			289		60289	8503 Floor Mounted Pilaster Bracket	1-1/4"
340			349			1/2" Wall Bracket	1/2"
350			359	60350	60359	3/4" Wall Bracket	3/4"
360	361	362	369			7/8" Wall Bracket	7/8"
370	371	372	379		60379	1" Hinge or Strike and Keeper	1"
			399			Flat Back Hinge	1-3/8" Min.
500			509		60509	1-1/4" x 57-1/2" Continuous Wall Bracket	1-1/4"
510						5400/5440 Door Pulls	1"
520			529			1" x 57-1/2" Continuous "U" Bracket	1"
			569			Pivot Hinge (7803)	1"
			579			Pivot Hinge (7813)	3/4" or 1"
580			589		60589	1" x 57-1/2" Continuous "U" Bracket	1"
590			599			Hook (for 1/2" Solid Surface)	1/2"
	601		609			4151 Pilaster Mounted Door Stop	1-1/4"
610			619		60619	3/4" Hinge or Strike and Keeper	3/4"
8223						Floor Mounted 1" Aluminum U-Channel	1"
114140			114149			Headrail Wall Brackets	ALL

### FOR PIANO HINGES

			709			Sheet Metal Screws	5/8" Min.
			719			1/2" Door & Pilaster Post	1/2"
			729	60729		3/4" Door & Pilaster Post	3/4"
			739	60739		7/8" Door & Pilaster Post	7/8"
			749	60749		1" Door & Pilaster Post	1"
			759	60759		1-1/4" Door & Pilaster Post	1-1/4"

### FOR SURFACE MOUNTED HINGES

			429		60429	1/2" Door - 1/2" Pilaster Post	
430	431	432	439		60439	1" Door - 1-1/4" Pilaster Post	
440	441		449		60449	7/8" Door - 1-1/4" Pilaster Post	
450	451		459		60459	3/4" Door - 3/4" Pilaster Post	
460	461		469		60469	3/4" Door - 1" Pilaster Post	
470	471		479		60479	1" Door - 1" Pilaster Post	
480	481		489		60489	1/2" Door - 1" Pilaster Post	
490	491		499		60499	1/2" Door - 3/4" Pilaster Post	

## ANCHORS

STEEL ZAMAC PLASTIC

For No. 10 and 12 Screws		9005
For No. 14 and 16 Screws		9015
3/8" Expansion		8106
3/8" Double Expansion		8116
1/2" x 3" Anchor Sleeve with 3/8 Nut & Washer	95154	

9005

9015



## MISCELLANEOUS

DESCRIPTION	ZINC PLATED STEEL	STAINLESS STEEL
1/4-20 x 3" Toggle Bolt Assembly (Pan Head)	89904	
1/4-20 x 4" Toggle Bolt Assembly (Flat Head)	89924	
1/4-20 Toggle Wing	96164	
1/4" Flat Washer	96814	
1/4" Fender Washer		96819
1/4" Split Lock Washer	96834	
5/16-18 x 3" Hex Bolt	94964	
5/16-18 Hex Locknut - Nylon Stop	96274	
5/16-18 Internal Lock Washer	96884	
5/16-18 External Lock Washer	96894	
3/8-16 x 2-1/2" Hex Bolt	95144	
3/8-16 Hex Nut	96324	96329
3/8-16 x 7/8" Square Nut	96356	
3/8-16 T-Nut	96374	
3/8" Flat Washer	96924	
3/8" Split Lock Washer	96914	
#8 Finishing Washer (for Oval Head Screws)	96623	

### THREADED WIRE & RODS

10-24 x 1/2"	87004	
10-24 x 3/4"	87024	
10-24 x 7/8"	87034	
10-24 x 1-1/8"	87054	
10-24 x 1-3/8"	87074	
10-24 x 1-1/2"	87094	
10-24 x 1-5/16"	87134	
3/8-16 x 4"	87304	
3/8-16 x 6"	87334	87339
3/8-16 x 8"	87374	
3/8-16 x 10"	87394	
3/8-16 x 12"	87404	

### TOGGLE BOLT



HEX BOLT

FLAT WASHER

HEX NUT

SPLIT LOCK WASHER

FINISHING WASHER

THREADED WIRE

THREADED ROD

8106 8116 95154

8106 8116 95154

8106 8116 95154

8106 8116 95154

8106 8116 95154

8106 8116 95154

8106 8116 95154

8106 8116 95154

8106 8116 95154

8106 8116 95154

MATERIAL THICKNESS	SURFACE HINGES		HINGE BRACKETS WALL BRACKETS STRIKE & KEEPERS		STAMPED STAINLESS BRACKETS	
	BARREL NUT	SHOULDER SCREW	BARREL NUT	SHOULDER SCREW	BARREL NUT	SHOULDER SCREW
1/2"	1/2" (9703)	3/8" (9883)	1/2" (9703)	1/2" (9773)	1/2" (9709)	3/8" (9889)
5/8"	1/2" (9703)	1/2" (9773)	X	X	X	X
3/4"	5/8" (9713)	1/2" (9773)	5/8" (9713)	3/4" (9783)	5/8" (9719)	1/2" (9779)
7/8"	5/8" (9713)	3/4" (9783)	5/8" (9713)	15/16" (9793)	5/8" (9719)	3/4" (9789)
1"	5/8" (9713)	15/16" (9793)	5/8" (9713)	1-1/16" (9803)	5/8" (9719)	15/16" (9799)
1-1/8"	5/8" (9713)	15/16" (9793)	5/8" (9713)	1-3/16" (9813)	5/8" (9719)	1-1/16" (9809)
1-1/4"	5/8" (9713)	1-3/16" (9813)	5/8" (9713)	1-5/16" (9823)	5/8" (9719)	1-3/16" (9819)
1-3/8"	5/8" (9713)	1-5/16" (9823)	X	X	X	X
1-1/2"	1/2" (9703)	1-1/2" (9873)	X	X	X	X
1-5/8"	5/8" (9713)	1-1/2" (9873)	X	X	X	X
1-3/4"	(2) 5/8" (9713)	1-1/8" Wire (87054)	X	X	X	X

### SIX-LOBE FASTENERS

1/2"	1/2" (88203)	3/8" (88223)	1/2" (88203)	1/2" (88233)	1/2" (88209)	3/8" (88229)
5/8"	1/2" (88203)	1/2" (88233)	X	X	X	X
3/4"	5/8" (88213)	1/2" (88233)	5/8" (88213)	3/4" (88243)	5/8" (88219)	1/2" (88239)
7/8"	5/8" (88213)	3/4" (88243)	5/8" (88213)	15/16" (88253)	5/8" (88219)	3/4" (88249)
1"	5/8" (88213)	15/16" (88253)	5/8" (88213)	1-1/16" (88263)	5/8" (88219)	15/16" (88259)
1-1/8"	5/8" (88213)	15/16" (88253)	5/8" (88213)	1-3/16" (88273)	5/8" (88219)	1-1/16" (88269)
1-1/4"	5/8" (88213)	1-3/16" (88273)	5/8" (88213)	1-5/16" (88283)	5/8" (88219)	1-3/16" (88279)
1-3/8"	5/8" (88213)	1-5/16" (88283)	X	X	X	X
1-1/2"	(2) 5/8" (88213)	7/8" Wire (87034)	X	X	X	X
1-5/8"	(2) 1/2" (88203)	1-1/8" Wire (87054)	X	X	X	X
1-3/4"	(2) 5/8" (88213)	1-1/8" Wire (87054)	X	X	X	X

**MACHINE SCREWS**

SIZE/HEAD TYPE	CHROME PLATED STEEL	CHROME PLATED BRASS	BRASS PLATED STAINLESS	ZINC PLATED STEEL	STAINLESS STEEL
8-32 x 5/8" One Way Oval Head	9403				9409
8-32 x 3/4" One Way Oval Head	9413				9419
8-32 x 1" One Way Oval Head	9423		9422		9429
8-32 x 1-1/8" One Way Oval Head	9443		9442		9449
8-32 x 1-3/8" One Way Oval Head	9463				9469
8-32 x 1-5/8" One Way Oval Head	9483		9482		9489
10-24 x 3/4" One Way Round Head	9513				
10-32 x 1/2" Slotted Flat Head	93783				
10-32 x 3/4" One Way Round Head	9543				
1/4-20 x 3/4" One Way Round Head		9571			
1/4-20 x 3" Phillips Pan Head	94823				
1/4-20 x 4" Phillips Flat Head				94884	

**One Way Round Tapping Screws**

SIZE	CHROME PLATED STEEL	BRASS PLATED	STAINLESS STEEL
6 x 3/4"	9073		
8 x 3/8"	9103		
8 x 1/2"	9113		
10 x 3/8"	9163		
10 x 1/2"			9159
10 x 5/8"	9173	9172	9179
10 x 3/4"	9193		
10 x 1"	9203		
12 x 5/8"	9213		
12 x 1-1/2"	9233		
14 x 1/2"	9253		
14 x 5/8"	9263		
14 x 1"	9283		
14 x 1-3/4"	9343		
14 x 2"	9313		
14 x 2-1/2"	9323		
14 x 3"	9333		

**PHILLIPS TAPPING**

SIZE/HEAD TYPE	CHROME PLATED STEEL	BRASS PLATED STAINLESS	STAINLESS STEEL
10 x 1/2" Phillips Flat Head	90864		
10 x 5/8" Phillips Flat Head	90884		
10 x 3/4" Phillips Pan Head	90933		
10 x 1" Phillips Flat Head	91013		
10 x 1-3/4" Phillips Flat Head			91109
12 x 5/8" Phillips Pan Head	91353		
12 x 1-1/2" Phillips Pan Head	91553		
12 x 2" Phillips Pan Head	91783		
14 x 1/2" (AB) Phillips Pan Head	92003		
14 x 5/8" (A) Phillips Pan Head	92063	92072	92079
14 x 5/8" (AB) Phillips Pan Head	92093		
14 x 1" Phillips Pan Head	92153		
14 x 1-1/2" Phillips Flat Head			92309
14 x 1-3/4" Phillips Pan Head	92353	92362	92369
14 x 2" Phillips Pan Head	92403		92419
14 x 2-1/2" Phillips Pan Head	92503		92519
14 x 3" Phillips Pan Head	92603		
12 x 1-1/2" Square Recess Pan Head	91543		

**10-24 SHOULDER SCREWS**

SIZE/HEAD TYPE	CHROME PLATED STEEL	CHROME PLATED BRASS	BRASS PLATED	STAINLESS STEEL
3/8" One Way Round Head	9883	9881		9889
1/2" One Way Round Head	9773	9771	9772	9779
3/4" One Way Round Head	9783	9781	9782	9789
15/16" One Way Round Head	9793	9791	9792	9799
1-1/16" One Way Round Head	9803	9801	9802	9809
1-3/16" One Way Round Head	9813	9811	9812	9819
1-5/16" One Way Round Head	9823	9821	9822	9829
1-5/16" Phillips Round Head		9861		
1-1/2" One Way Round Head	9873			

**BARREL NUTS**

SIZE/HEAD TYPE	CHROME PLATED STEEL	CHROME PLATED BRASS	BRASS PLATED	STAINLESS STEEL
8-32 x 1/2" Unslotted Head	9763		9762	9769
10-24 x 1/2" Phillips Round Head	9723	9721		
10-24 x 1/2" One Way Round Head	9703	9701	9702	9709
10-24 x 5/8" One Way Round Head	9713	9711	9712	9719

**SIX LOBE FASTENERS  
(T-27 HEADS)**

**10-24**

**BARREL NUTS**

LENGTH	CHROME PLATED STEEL	STAINLESS STEEL
1/2"	88203	88209
5/8"	88213	88219

**10-24**

**SHOULDER SCREWS**

#	LENGTH	CHROME PLATED STEEL	STAINLESS STEEL
	3/8"	88223	88229
	1/2"	88233	88239
	3/4"	88243	88249
	15/16"	88253	88259
	1-1/16"	88263	88269
	1-3/16"	88273	88279
	1-5/16"	88283	88289
	1-3/8"	88293	

# 3/8" has full threads (no shoulder)

**PAN HEAD TAPPING SCREWS  
Without Center Pin**

SIZE	CHROME PLATED STEEL
12 x 1-1/2"	91613
14 x 1-3/4"	92373

**10-24**

**SHOULDER SCREWS  
Without Center Pin**

LENGTH	CHROME PLATED STEEL
1/2"	88133
3/4"	88143
15/16"	88153
1-1/16"	88163
1-3/16"	88173
1-5/16"	88183

**8-32 OVAL HEAD  
(T-20)**

LENGTH	CHROME PLATED STEEL	STAINLESS STEEL
5/8"	88313	88319
3/4"	88323	88329
1"	88333	88339
1-1/8"	88343	88349
1-3/8"	88353	88359
1-5/8"	88363	88369

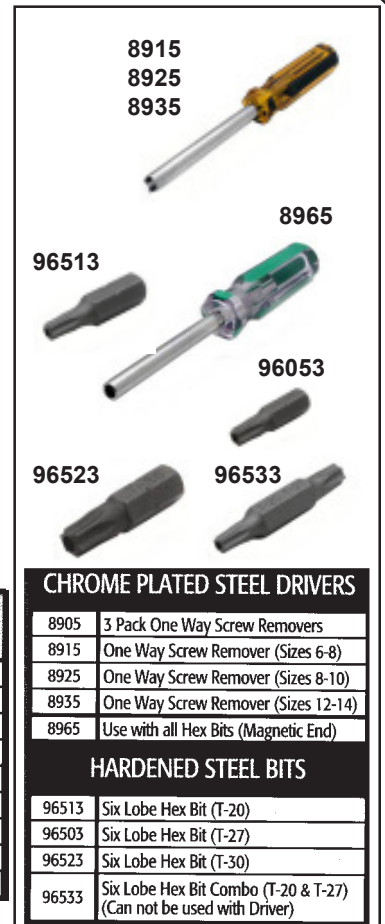
**All Barrel Nut & Shoulder  
Screws Have a 1/4" Outer  
Diameter**

**TAPPING SCREWS**

SIZE/HEAD TYPE	CHROME PLATED STEEL	STAINLESS STEEL
10 x 5/8" Pan Head	90963	90969
10 x 3/4" Pan Head	90943	90949
10 x 1" Flat Head (T-20)	91053	91059
B 12 x 7/16" Pan Head		91429
12 x 1-1/2" Truss Head	91813	91819
12 x 2" Truss Head	91913	91919
12 x 2-1/2" Truss Head	91903	91909
* 14 x 1/2" Pan Head	92083	92089
* 14 x 5/8" Pan Head	92193	92199
14 x 5/8" Truss Head	92213	92219
14 x 3/4" Pan Head		90929
14 x 1" Truss Head	92183	92189
14 x 1-1/2" Pan Head		92319
14 x 1-3/4" Pan Head	92423	92429
14 x 2" Pan Head	92383	92389
14 x 2-1/4" Pan Head		92449
14 x 2-1/2" Pan Head	92393	

B - "Blunt" Tip (Type MS)

\* - Type #410 Stainless Steel



LISTED BY MANUFACTURER (Available in other materials & finishes)

**ACCURATE**



**AII AMERICAN**



**AMERICAN SANITARY**



**AMPCO**



LISTED BY MANUFACTURER (Available in other materials & finishes)

**AMPCO**



**BOBRICK**



**COLUMBIA**



LISTED BY MANUFACTURER (Available in other materials & finishes)

**COMRES MANUFACTURING**



**COMTEC / CAPITAL PARTITIONS**

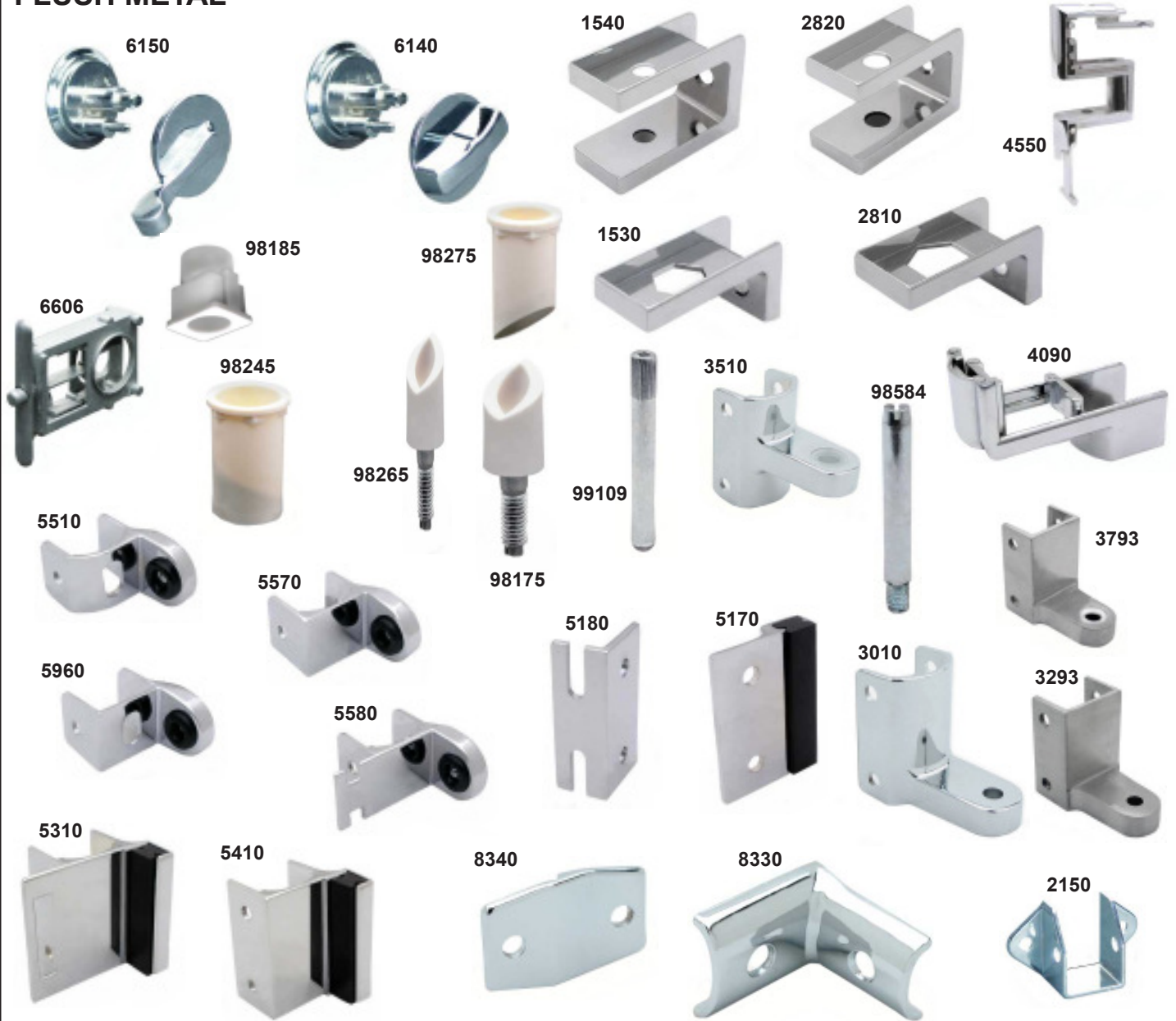


**FIAT**



LISTED BY MANUFACTURER (Available in other materials & finishes)

**FLUSH METAL**



**GENERAL PARTITION**





LISTED BY MANUFACTURER (Available in other materials & finishes)

**GENERAL PARTITION (continued)**



**GLOBAL STEEL**



LISTED BY MANUFACTURER (Available in other materials & finishes)

**GLOBAL STEEL (continued)**

5410

5510



5310



5230



**HADRIAN**

5778



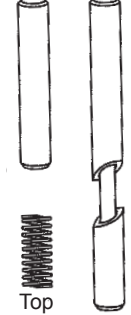
5878



7978  
7988



7005



Top Assembly Bottom Assembly

4988



**KNICKERBOCKER**

3910



4646



6160

97275



6170



98614



3420



4636



111950



5470



4290



4260



**METPAR**

6090



4240



1550



5090

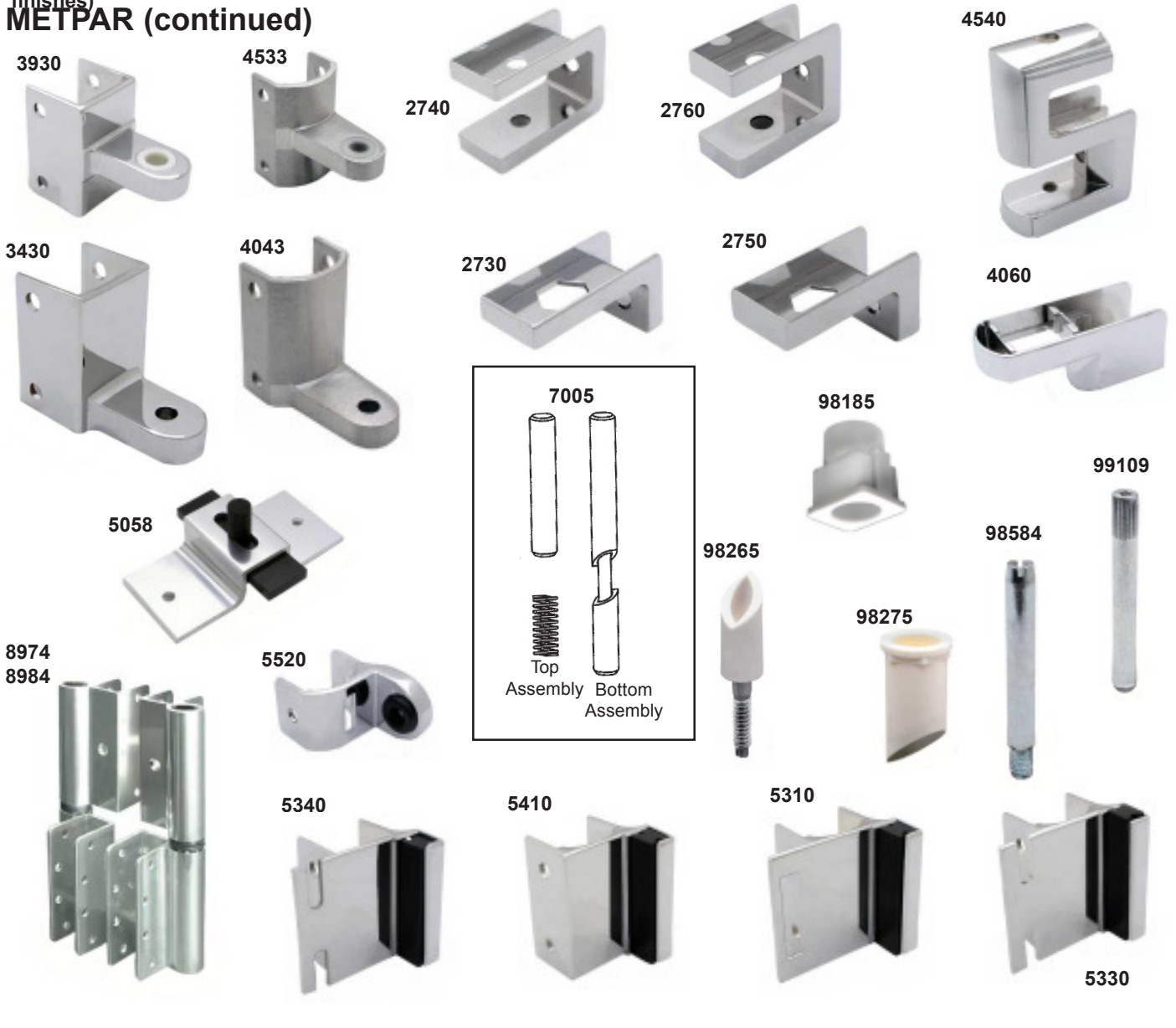


2150



LISTED BY MANUFACTURER (Available in other materials & finishes)

**METPAR (continued)**



**MILLS**



LISTED BY MANUFACTURER (Available in other materials & finishes)

**SANTANA / HINY HIDERS**

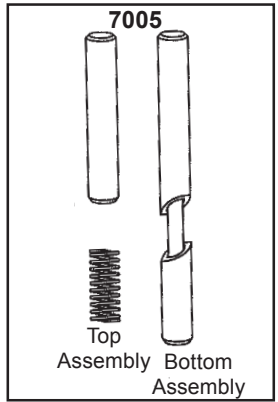


5058



6309

8974  
8984



**SANYMETAL**



6540



3960



3900



4280



2450



4686



3460



3060



97280



97295



7978  
7988



5180



5130



5510



5170



98175



8860



98715

**SHANAHAN**



2420



3650



98175



98544



5170



3150



98195



5180

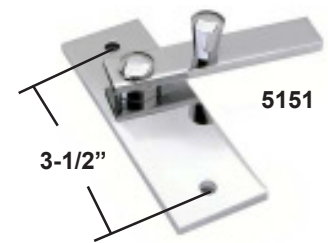
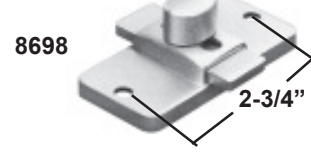
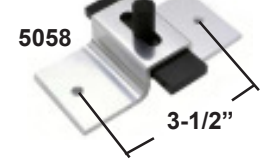
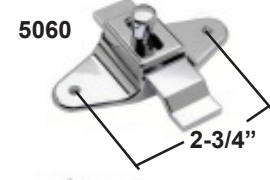
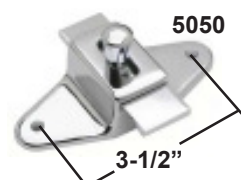
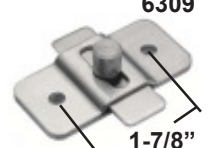
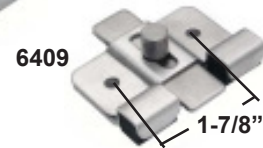
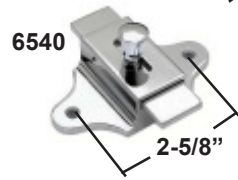
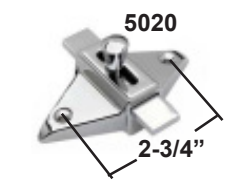
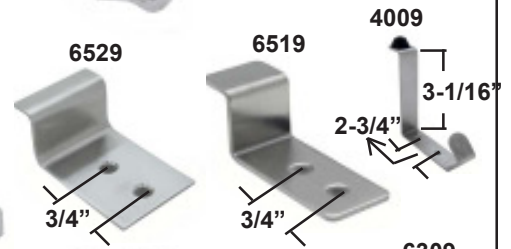


6695



2430

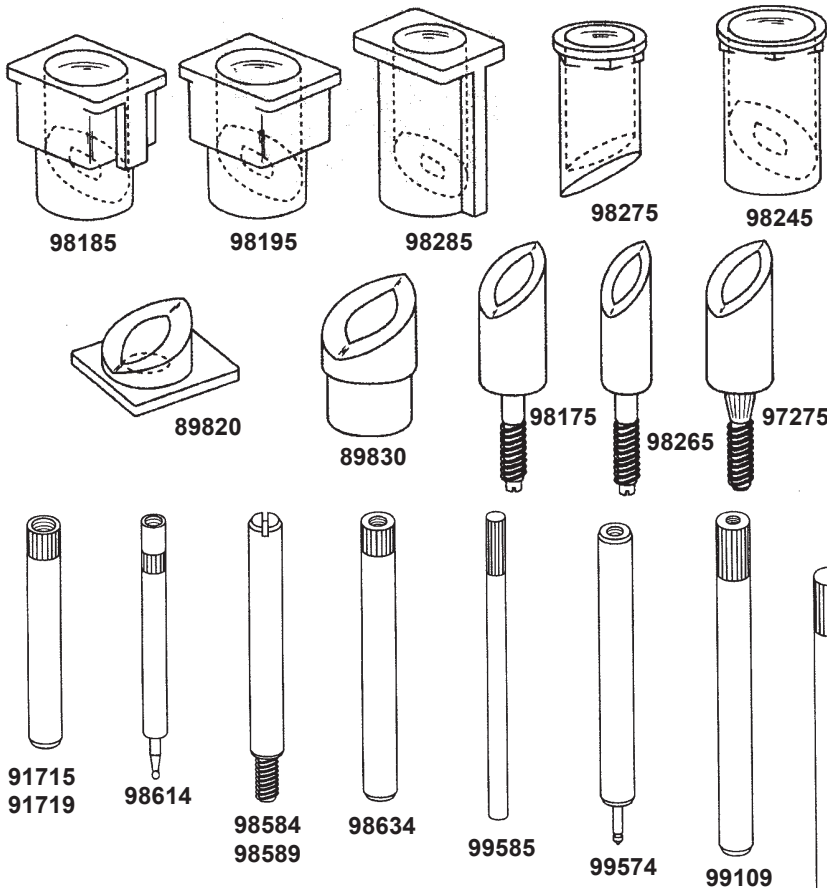
HOOKS				
CHROME PLATED ZAMAC	CHROME PLATED BRASS	POLISHED BRASS	CAST STAINLESS STEEL	STAMPED STAINLESS STEEL
4000	4001	4002	4003	
			4113	
4020	4021	4022	4023	
4260				
4280				
4290				
				4009
				6519
				6529
DOOR STOPS				
4120		4122 *	4123	4129
	4151		4153	



**FOR PROPER FUNCTION, ALL LATCHES REQUIRE A MATING STRIKE & KEEPER**

CHROME PLATED ZAMAC	CHROME PLATED BRASS	POLISHED BRASS	CAST STAINLESS STEEL	CLEAR ANODIZED ALUMINUM	BRITE-DIP ALUMINUM	STAMPED STAINLESS STEEL	SLIDE LATCHES
5020	5021	5022	5023				Standard for #6200 Door Pull (2-3/4" Centers)
5030	5031	5032	5033				Offset Bar with #5020 (2-3/4" Centers)
5040	5041	5042	5043				Reverse Offset Bar with #5020 (2-3/4" Centers)
5000			5003				Reverse Offset Bar with #5050 (3-1/2" Centers)
5050	5051	5052	5053				Standard for #5400 Door Pull (3-1/2" Centers)
5060	5061	5062	5063				Offset Bar with #5050 (3-1/2" Centers)
6540							Standard for #6020 Door Pull (2-5/8" Centers)
						6983	Straight Bar - Four Hole (1-1/2" Centers Height)
8698 *							Straight Bar (2-3/4" Centers) *Satin Finish
				4988	4984		Angled Bar (3-1/2" Centers)
				5054	5058		Straight Bar (3-1/2" Centers)
						6049	With Keeper
						6069	With Keeper, Indicator and Door Pull
						6309	For all Stamped Stainless Steel Strike & Keepers
						6409	Inswing Latch & Strike Combination
						6539	Keeper for #6409
THROW LATCHES							
	5151		5153				Use with "T" Type Strike & Keepers
	5701		5703				Heavy Duty Latch & Keeper



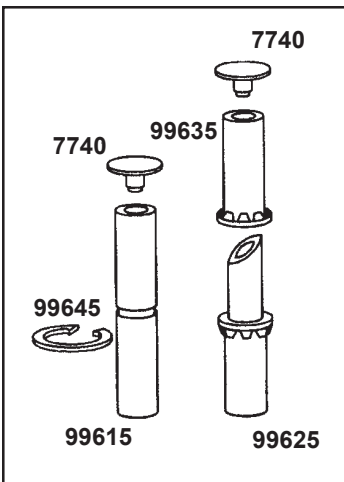


PART #		CAMS	
89820	M-Hinges (3540 & 3550)		
98185	Square - Unshaved		
98195	Square - Shaved		
98245	Round for 5/8" Pintle		
98275	Round for 1/2" Pintle		
98285	Round with Keylock (Use with #97205 Pintle only)		
PART #		PINTLES	
89830	M-Hinges (3540 & 3550)		
97205	1/2" Diameter (Use with #98285 Cam only)		
97275	5/8" Diameter (Knickerbocker)		
98175	5/8" Diameter		
98265	1/2" Diameter		
98305	Nut and Washer Pack for Pintles		
PART #		CAM & PINTLE SETS (WITH NUTS & WASHERS)	
PINTLE	CAM	DESCRIPTION	
97305	98265 98275	5/8" Round	
97315	97205 98285	5/8" Round with Keylock	
97325	98175 98245	3/4" Round	
97335	98175 98195	7/8" Square - Shaved	
97345	98175 98185	7/8" Square - Unshaved	

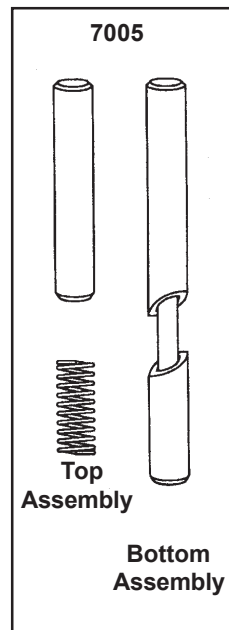
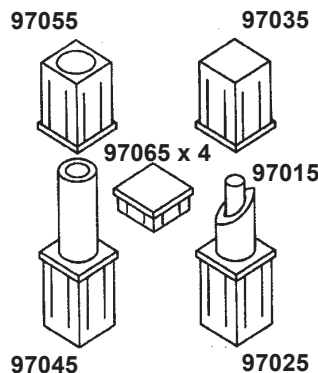
PART #	HINGE PINS		
	MATERIAL	DIMENSIONS	USED FOR
98715	Knurled Plastic	3/8" Dia. x 2-1/2" L	Sanymetal
98719	Knurled Stainless		
98614	Knurled Steel	1/4" Dia. x 2-3/4" L	General
98584	Threaded Steel	3/8" Dia. x 3" L	Ampco, Metpar & Flush Metal
98589	Threaded Stainless		
98634	Knurled Steel	5/16" Dia. x 3" L	All American
99585	Knurled Steel	7/32" Dia. x 3-1/4" L	Ampco
99574	Zinc Plated Steel	7/16" Dia. x 3-5/16" L	Fiat
99109	Knurled Steel	3/8" Dia. x 3-1/2" L	
99119	Knurled Stainless		
98544	Zinc Plated Steel	3/8" Dia. x 3-3/4" L	Shanahan

PART #	CANDLE CAMS
97435	Metpar
97245	General
97265	Knickerbocker

PART #	INTEGRAL HINGE SET
7005	Includes Three Set Screws (T-7 Bit Required for Installation)



7035	
CONTENTS	USED WITH
7740 Nylon Cap	Round Barrel Hinge Parts for Surface Mounted Hinges (7011, 7021, 7033, 7043, 7053, 7063, 7113, 7123)
99615 Nylon Pin	
99625 Nylon Pintle	
99635 Nylon Cam	
99645 Nylon Retaining Ring	
7405	
CONTENTS	USED WITH
97015 Pintle	Square Barrel Hinge Parts for Surface Mounted Hinges (7413, 7423)
97025 Nylon Pintle Housing	
97035 Nylon Cam	
97045 Nylon Pin Assembly	
97055 Nylon Pin Housing	
97065 Nylon Cap	



# New Products

8698

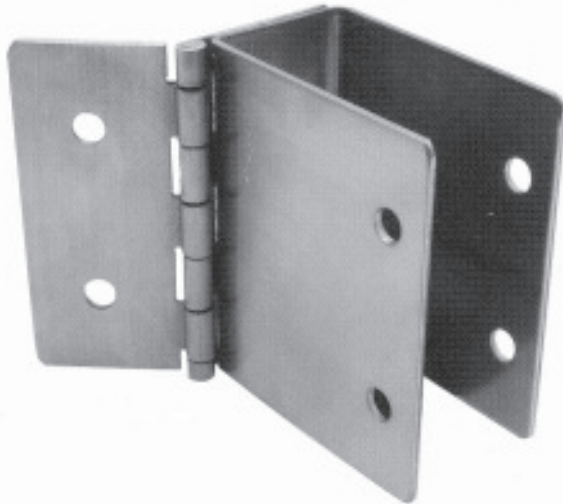


**SLIDE LATCH**  
Satin Finish Cast Zamac Design  
2-3/4" center-to-center holes

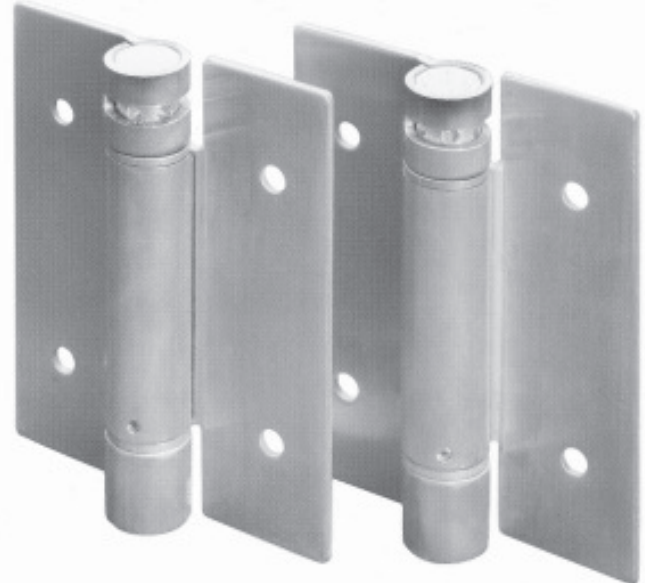
6983



**SLIDE LATCH**  
Heavy Duty Cast Stainless  
Steel Design



**HINGED BRACKET**  
Can be rotated for any angle application  
111359 1" Hinged Wall Bracket  
111359 1-1/4" Hinged Wall Bracket



**SPRING LOADED SURFACE HINGE**  
Heavy duty stainless steel tension adjust-  
able  
8643 4" high - polished  
8649 4" high - satin  
8653 5" high - polished  
8659 5" high - satin

CASEMENT OPERATORS ■ SASH LOCKS ■ AWNING HINGES ■ RESIDENTIAL HARDWARE ■ SKYLIGHT OPERATORS



COMMERCIAL HARDWARE ■ WINDOW ACCESSORIES ■ PATIO DOOR LOCKSETS ■ DOUBLE-HUNG HARDWARE



Your customers will appreciate how Truth's products are engineered not only to complement each other visually and operationally but to help reduce your manufacturing and inventory costs.

Let us help you build a better window, patio door or skylight. You'll discover why working with Truth Hardware is **better from every perspective.**

## **Make your windows, patio doors and skylights better from every perspective.**

More than a clear view and a fresh breeze, your windows, patio doors and skylights provide customers with a unique perspective of their world. Offer a better perspective with Truth Hardware.

Take advantage of our exceptional knowledge gained from more than 50 years of leading the window and door industry with the most technically advanced, reliable and aesthetically pleasing hardware. It's easy to see why builders, architects and homeowners agree that Truth's innovative products, resourcefulness and responsive service are unrivaled.

As you flip through our streamlined catalog, you'll find the most complete range of hardware available for residential and commercial use.

**Learn more at [TRUTH.COM](http://TRUTH.COM)**

### **TABLE OF CONTENTS**

#### **Hinged Window**

Operators .....	2-3
Skylight & Motorized Operators.....	4
Hinge Systems .....	5
Sash Locks .....	6-7

#### **Sliding Window**

Locks & Accessories .....	8-9
---------------------------	-----

#### **Patio Door**

Handles .....	10-11
Rollers & Mortise Locks .....	12-13

#### **Commercial**

Operators .....	14-15
Hinges & Locks .....	16-17
Finishes.....	18-19
Warranty & Terms.....	20
Green Mission.....	21



## HINGED WINDOW



## Operators

### Encore® Style Plus Performance

Encore Operators give you all the strength and performance characteristics of Maxim, but with the flexibility of a snap-fit cover and streamlined full-flip folding handle (see next page) that eliminates collapse during operation. 33% less effort to operate than previous operators. Designed to use the same mounting location as the Maxim system. Stainless steel components are available for coastal applications. Complements the Encore Multi-Point Locking System (page 7).



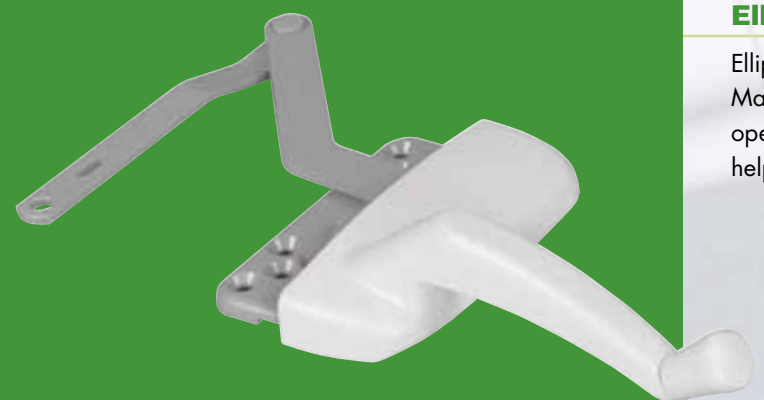
### Maxim® Strength and Performance

Exceptional Maxim Operators provide maximum performance to open and close larger windows with 33% less effort than previous operators. These operators feature a sealable housing to reduce water and air infiltration without the use of caulk or additional sealant. Available in a full range of operator styles, Maxim helps reduce manufacturing and inventory costs by using the same operator mounting location on every window size. An optional folding handle can be added. Stainless steel packages are available for demanding coastal applications. Developed as a system with Maxim Hinges and Locks to ensure maximum efficiency (pages 5 & 6).



### EntryGard® Versatility and Ease

Opening windows with the EntryGard system is smooth and easy. These operators offer removable covers as standard. Multiple casement and awning operator configurations are available to fit your window needs. Developed as a system with EntryGard Sash Locks to ensure maximum efficiency (page 6). Upgrade to EntryGard's full-flip folding handle operator (page 7).



### Ellipse® Practical and Sustainable

Ellipse's unique case design complements the smooth contour styling of the Maxim family with the mounting and mechanical features of our traditional operators. A special lip around the operator's case accepts a gasket, which helps achieve higher water and air performance rating without caulking.



1 Encore Operator

Encore & Maxim Selection Guidelines	
<b>Dual Arm Operator</b>	for large casements—up to 40" x 84" frame/96 lb. sash, supports washability and egress applications
<b>Dyad Operator</b>	for narrow windows—16"-32" wide casements—up to 72" frame/55 lb. sash
<b>Reverse Dyad Operator</b>	for 12"-24" wide windows and specialty windows (i.e., round tops, half round, trapezoid, garden, octagon, & windows that use butt hinges or 4-Bar Hinges)
<b>Single Arm Operator</b>	for 20"-32" wide casements and specialty windows where egress is required
<b>Awning Operator</b>	for frame widths 20"-60" wide
<b>Single Arm Awning Operator</b>	for narrow windows or those with a smaller profile cavity
<b>Low Profile Dyad Operator</b>	for 12"-24" side casements (Available in rear mount version only)

Product Configuration	Encore	Maxim	EntryGard	Ellipse	Traditional
Dual Arm	•	•	•		
Dual Arm: Low Profile	•	•			
Single Arm	•	•	•	•	•
Single Arm: Low Profile	•	•			
Dyad	•	•	•	•	•
Dyad: Low Profile	•	•			
Reverse Dyad	•	•			
Reverse Dyad: Low Profile	•	•			
Awning	•	•	•	•	•
Awning: Narrow	•	•			

See [TRUTH.COM](http://TRUTH.COM) for complete product specifications

### Encore® Handle/Cover Options

Differentiate your window line by taking advantage of Encore's unique cover and handle designs. Encore's full-flip folding handle recesses in the operator cover—giving windows a smooth, contemporary look—and eliminating interference with curtains and blinds. The snap-fit cover removes easily for painting and staining of window frame.



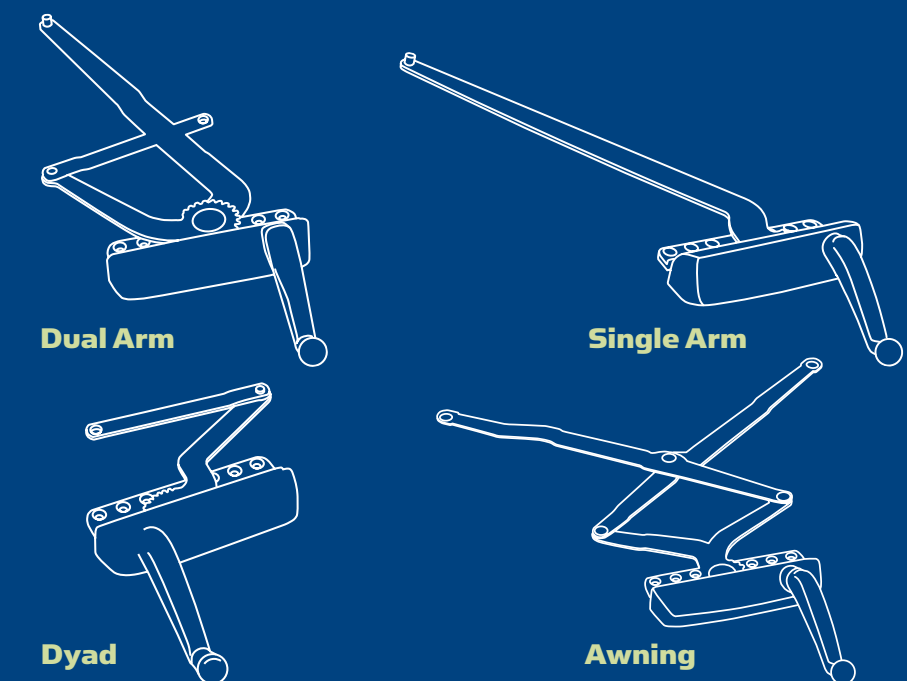
#13423 (LH),  
#13424 (RH);  
Left Hand shown



#13342 (LH),  
#13343 (RH);  
Left Hand shown

#12614 (LH),  
#12616 (RH);  
Left Hand shown

### Four Distinct Product Options



Dual Arm

Single Arm

Dyad

Awning

If you are designing a new window please contact Truth's highly trained Technical Services team. Truth can assist you with the selection of the appropriate hardware to meet your specific performance requirements as well as provide you with detailed application drawings.

## HINGED WINDOW

### The Encore® System

Designed as an integrated system, Encore Operators and locks provide unmatched elegance and performance. With a time-proven design, Encore products stand out in beauty while enhancing the window's overall appearance.



**1** Innovative **Encore Operators** are distinctive in appearance, performance and user-friendliness. Known for its full-flip folding handle and ease of operation, Encore operators fit a wider range of profiles (fiberglass, aluminum, steel) and both wood and PVC window types. Encore incorporates all the same strength and performance characteristics of Maxim operators.

**2** Designed to work in tandem with Encore operators, **Encore Multi-Point Locks** provide a complete locking system for casement and awning windows including round tops. A construction handle allows operation prior to finishing. Encore locks have fewer parts, hold 400 lbs. per lock point and are more resistant to insect and light infiltration. Providing years of trouble-free operation, Encore locks bring innovation to a new level.

For product specs visit [TRUTH.COM](http://TRUTH.COM)

3



## Skylight & Motorized Operators

### Marvel™ Motorized Operator Versatile Control

This motorized system is designed for awning windows and skylights that weigh up to 90 lbs. Using a standard 110 volt household current, the Marvel system allows operation of multiple units from one control switch. No transformer is required. A durable double-link chain opens windows and skylights up to 9.5". Marvel Motorized Operators come with mounting brackets that secure the operator to the center of the window, making this system one of the easiest to install. The Marvel system is designed to work on windows with properly-sized counter-balance hinges. ANSI/UL 325 and CAN/CSA C22.2 certified.

### Sentry II® WLS Motor System Innovative Ease

A sleek design and quiet motor are engineered into this exciting digitally-motorized system. The Sentry II WLS system retrofits casement or awning windows formerly operated by Truth hand cranks. A power conversion accepts direct connection of line voltages. Power protected memory eliminates the need to reset the motor after a power outage. The Sentry II WLS System has a rain sensor which automatically closes the window at the first sign of moisture. Building automation systems can be easily connected. Designed to work alongside the Sentry 2000® Motorized Sash Lock (page 7).

### Sentry II® HS Motor System Powerful and Smart

This digital system is designed for heavy skylights. Twice the strength of the Sentry II WLS model, the HS system features a hatch weight of 160 lbs. A power conversion built right into the control package accepts direct connection of line voltages. Power-protected memory eliminates the need to reset the motor after a power outage. Building automation systems can be easily connected. Also includes rain sensor.

### Manual Skylight Operator Efficient and Accommodating

Compatible with wood, metal or vinyl skylights, Truth's Manual Skylight Operators are easy to install, simple to use and can lift up to 140 lbs. with minimal effort. Strong plastic case liner keeps the chain and sprocket sliding smoothly, making windows easy to open. Hardened steel sprocket and chain provide years of noise-free operation. Straight Drive and Angle Drive are available along with various hand or pole crank options.

## Hinge Systems

### Maxim® Hinge

Maxim Casement Hinges vent large casement windows (up to 40" x 84") and provide 1.5" more washability than Truth's 10" casement hinges for easier cleaning from the inside. An adjustment feature built into the hinge allows for simple realignment. Maxim hinges have a notched track to clear corner welds in vinyl window frames. Available in assembled or knocked down.

Designed to complement Maxim and Encore Operators and Locks (See pages 2 & 6).

### Series 13 Awning Hinge

Truth's Awning Hinge System has adjustable friction screws which allow users to customize the effort required to open and close awning windows. As they open, awning hinges balance a sash, making for smooth effortless operation. A delrin shoe with stainless steel reinforcement provides continuous, fluid action with solid support.

Also available: corrosion-resistant non-magnetic stainless steel package. Optional adjustable stud available.

### Series 14 Casement Hinge

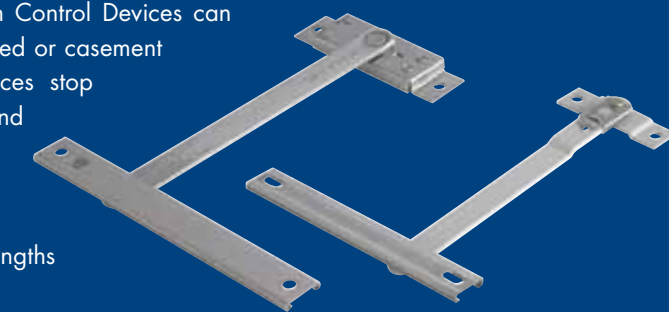
Truth's adjustable concealed hinge allows quick sash realignment without disconnecting support arms. A delrin shoe with stainless steel insert provides strong performance with smooth operation. A stop feature prevents windows from opening past 90°. Available in assembled or knocked down versions and in 10" or 14" lengths. Various models are available to provide washability and egress options. Also available in stainless steel.

### Butt Hinges

Designed to provide maximum egress opening on casement windows, Butt Hinges are popular options on round-top and trapezoid style windows. Available in non-magnetic stainless steel.

### 37/99 Series Sash Control Devices

37/99 Sash Control Devices have two functions: adjusting and limiting. By tightening a screw in a sliding brass shoe, users can easily adjust the tension required to open and close the window. When used as a limiter, Sash Control Devices can restrict the opening on projected or casement windows. Sash Control Devices stop vents at a safety position and help prevent damage to casement and awning windows under high winds. A variety of track and arm lengths are available.



### Snubbers

Truth Hardware offers a full line of snubbers to meet all your window design needs. Compression snubbers prevent bowing of tall casement or wide awning windows. Negative air snubbers help increase the negative air pressure rating of windows. Please consult Truth Hardware's experienced Technical Service staff to determine which snubber is best for your application. Available in steel or stainless steel.



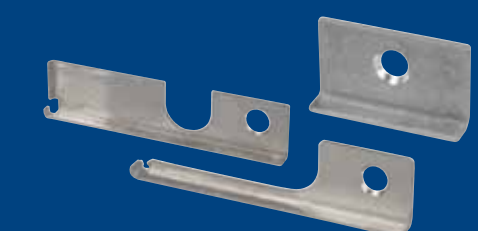
### Sash Ramps

When sash sag is an issue, Truth's Sash Ramps help lift the sash back into position. Strong and resilient Sash Ramps help support the sash in the closed position.



### Hinge Stops

Sash Limiters restrict sash opening to help prevent wind damage on casement or awning units and operating hardware. Sash Limiters are generally used in high wind environments or second story and higher window applications.



Truth offers a wide range of tie bars, screws, brackets, tracks and keepers in various sizes to help you build a better window. Please consult your sales rep for more information.

## HINGED WINDOW

### The Maxim® System

Offering exceptional operators, locks and hinges, the innovative Maxim system exceeds maximum expectations at every turn. The three components are engineered together to address the unique needs of the larger casement window. Designed as an integrated system, Maxim ensures the most attractive, easiest operating and highest performing windows available while reducing manufacturing cost.



**1 Maxim Operators** open and close with incredible ease. With a sealable housing to reduce air and water infiltration, these highly efficient Maxim operators come in a wide-range of models to fit a wide variety of window systems.

**2 Lock better results** into place with **Maxim Sash Locks**. Available in multi- and single-point, these attractive, smooth action locks complement Maxim's operators for enduring security.

**3 Maxim Hinges** lead the industry in durable performance and flexibility with both washability and egress models available.



## Sash Locks

### Maxim® Multi-Point & Single-Point Total Assurance

Solid and secure locking for vinyl, aluminum, and fiberglass window systems. With Multi-Point for casement and Single-Point for awning or casements, this advanced locking system complements Maxim Operators & Hinges (pages 2 & 5). Whether a right- or left-hand window, this system utilizes a non-handed design to help reduce inventory. The lock-to-tie bar attachment makes installation fast and easy. Maxim's "zippered locking effect" assures engagement of the top lock point. With .625" of reach out capability, the window can be locked without being completely closed.

### 24 Series Locking Handle Discreet Control

24 Series Single Point Locking Handles complement a wide variety of vinyl, aluminum and fiberglass window applications. For casement applications with a hard-to-reach second locking point, some handles use a tandem lock bar. Offers .437" pull-in and is available in face-mounted and rear-mounted styles.

### HomeGard® Convenient Security

HomeGard Sash Locks are a perfect low-profile lock option for windows with smaller side stops. Featuring .625" pull-in, HomeGard locks offer a strong detent which consistently provides a more secure feel during lock up. HomeGard locks can withstand negative air pressure of 275 lbs. per lock.

### EntryGard® Reliable Strength

EntryGard Sash Locks for casement and awning windows are designed to withstand up to 200 lbs. of force per lock point. Tandem locking is available for taller casements with a hard-to-reach second lock point. Available in handed or non-handed models, EntryGard Locks feature a generous .625" pull-in of the sash. EntryGard locks work best with their companion EntryGard Operators (page 2).

### Low Profile Sash Lock Solid Versatility

With a clean low-profile design, these locks withstand 250 lbs. of forced entry per lock. Low profile sash locks offer .625" pull-in and tandem locking for taller window lock applications.

### Encore® Multi-Point Locking System

This fully concealed lock system, for casement, awning and round-top windows, is designed to accompany Encore Operators (page 2). The Encore System fits a wide variety of wood windows and some select vinyl and fiberglass window systems. A construction handle allows operation prior to finishing the window. Tie bars offer 1-3 locking points and feature pre-located guides, meaning fewer screws and fewer parts to simplify hardware installation. Encore's interchangeable handle and escutcheon allow anyone to easily change color and style.



### Mirage® Concealed Multi-Point Locking System

The true beauty is what you can't see. Mirage's Concealed Locks for wood windows are so thin; they're barely noticeable. All locking points are concealed to create a clean look for your window system. The handle and escutcheon are removable for painting or staining wood trim. The tie bar guides are pre-located for quick and easy installation. Mirage's Multi-Point Locking System has an exceptional .625" pull-in and can withstand 245 lbs. of force per locking point.



### Sentry 2000 Motorized Sash Lock

Sentry 2000's Motorized Sash Lock fits any wood casement or awning window designed for use with any Truth case style lock. For maximum security, the system locks windows sequentially in two different points. In addition, Sentry 2000 features a visual indicator that shows when the locks are fastened. Models are sold with an eight-foot cable which runs from the lock to the operator motor.



### EntryGard's Easy Upgrade

Thanks to EntryGard's standard removable covers, manufacturers can give traditional EntryGard operators a stylish upgrade without having to replace the whole system. EntryGard's sleek full-flip folding handle eliminates interference with curtains and blinds. EntryGard high-performing operators are available in a variety of colors and finishes.

### EntryGard Handle Options



#12905



#11553 Cover & #11454 Handle



#10341 Cover & #10579 Handle

### 15 Series Folding Handle

Truth also offers a folding handle and removable cover option for our 15 Series Traditional and Ellipse Casement Operators.



#12729 (LH)  
#12730 (RH)  
(Right Hand shown)

## Locks & Accessories

### 9200 Series

Endless Options

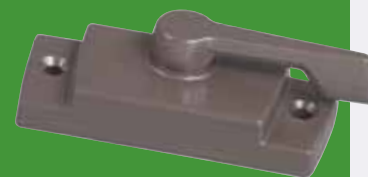
9200 Series Sash Locks have bases with or without alignment lugs which help prevent shifting of the sash. For a tighter seal, a variety of locking cams are available. With various mounting-hole patterns to choose from, 9200 Series Locks have a number of Top Mount and Face Mount options. Depending on window design and available space, some windows are better suited for narrower keepers or even face-mounted varieties.



### Trimline™

Trustworthy and Firm

Featuring a low-profile design for maximum egress opening, Trimline Cam Locks have pull-in and lifting capabilities comparable to EntryGard. When locked, meeting rails are pulled tightly together, decreasing air infiltration. Trimline features an innovative spring design, which holds the handle in both the locked and unlocked positions. For locks designed with alignment lugs, a positive sash alignment feature prevents shifting of the sash. An improved detent in the handle clearly indicates when the cam has completed its travel.



### EntryGard®

Strong and Durable

EntryGard Cam Locks feature a protective back plate and an internal cam which produces a .125" pull-in with a .156" lifting ability. When locked, meeting rails are pulled tightly together, decreasing air infiltration. EntryGard's snap-back lock draws the cam in when handle motion is within 30° of the open position. The spring action eliminates cam exposure when partially open. Made from high-pressure, corrosion-resistant, die-cast zinc. Available with or without alignment lugs. Made with the same exceptional engineering platform as EntryGard Operators (page 2).



### 9400 Series

Reliable Protector

9400 Series Sash Locks feature one of the most popular locking designs for single/double-hung windows. An internal cam eliminates unsightly paint abrasions caused by recurring contact between the cam and keeper. Internal cams are handed and come in various sizes that relate to the amount of pull-in/reach-out and sash lift. Also available are tapered nesting lugs, which help guide the lock to the keeper. Available with or without alignment lugs.



### 9950 Series

Prominent and Fresh

Truth's 9950 Series Locks, with concealed keepers, are an exceptional way to accent your windows. Engineered with a fresh style and streamlined design that conceals the keeper under the housing, 9950 Series Locks have durable, scratch-resistant coatings and are offered in a wide range of decorative plated finishes.



### 700 Series

Attractive and Reliable

Four designs within the 700 Series family of locks each offer a distinct appearance with improved detent and a slimmer, low-profile for maximum egress opening. These locks feature a forgiving cam which indicates when the lock and keeper are engaged. Identical 2.062" center-to-center hole spacing on the lock and keepers make 700 Series Locks interchangeable with existing designs. Locks produce a .105" lifting ability.



### Positive Action Lock Systems

Truth's Positive Action Lock (PAL) Systems are some of the most versatile and easy to operate locking systems in the marketplace today. A simple movement of the locking tab disengages the lock allowing the sash to move freely. When the window is closed the PAL System automatically locks, securing the window without having to manipulate the lock again. These locks can be used with or without a keeper depending upon the window's design and the lock style.



The **New PAL System** is smaller, sleeker and can be mounted surface or flush.



**Original PAL System** is preferred in retirement housing.



**Easy lock** Automatically locks when window is closed.



**No keeper required**



**Easy-to-see security** Position of button conveys if window is locked.



### New Tilt Latches

With several variations to choose from, Truth's Tilt Latches are engineered with features to fit almost all window profiles. Truth's revolutionary snap-in mount and top-mounted fastener affords dependable operation with secure methods for installation.



### Sash Lifts

Designed to complement Truth's 1702 Series Restoration Locks, Truth Sash Lifts provide easy opening and closing of double-hung or sliding windows. With a traditional finger-pull look, Sash Lifts encourage window lifting from the bottom, putting less stress on the sash.



### 4233-1000 Window Roller

Available with steel wheels and mounted into a sturdy nylon case, Truth Window Rollers create almost effortless travel for slider windows. Rated for up to a 30 lb. sash, Window Rollers provide long-lasting reliable service.



If you are designing a new window please contact Truth's highly trained Technical Services team. Truth can assist you with the selection of the appropriate hardware to meet your specific performance requirements as well as provide you with detailed application drawings.

## PATIO DOOR

### The Fusion™ System

Double-hung hardware just shifted from ordinary to exceptional. Give windows the innovation they deserve with Fusion. This dependable system, adjustable for any size window, is the most versatile combination lock and tilt latch available today.

Fusion offers a push-on cover with a low-profile design and no visible screws. Fusion latches are non-handed and hidden into the check rail for a streamlined appearance. Fusion's lock and tilt latch release is triggered by one mechanism, giving users the option of using single or multiple locks.



Locked position



Unlocked position



Lever position for retracting the tilt latches

## Handles/Hinges

### Sentry™ Handles

The Sentry Hinged Patio Door System is filled with options. From traditional to contemporary, there are distinctly different handle designs with plated or painted finishes to help customize your look. A North American 90° thumbturn above the handle allows for easier access to the key cylinder.

### Sentry™ Adjustable Hinges

The Sentry Adjustable Guide and Set Hinges provide vertical and horizontal adjustment for a perfect fit. The Sentry Hinges are manufactured from extruded brass or aluminum for superior strength and excellent corrosion resistance. Set and Guide Hinges are easily adjusted using same hex key.

### 40.62 Series

Sleek and easy to grasp, Truth's 40.62 Series Interior Handles incorporate an integrated design of the handle and escutcheon, providing a clean and elegant appearance. Compatible with wood, vinyl or aluminum doors, 40.62 Series Handles are combined with Truth's standard outside pulls.

### 2995 Series

2995 Series Handles, with a C-shape design, are one of the most popular handle sets. 2995's are non-handed, interior/exterior, and can be installed on aluminum, vinyl or wood framed patio doors. Available with or without a lock cylinder. Create a customized appearance and price points combining an inside handle with Truth's standard outside pulls.



Shoot bolts can be added to hook or tongue versions to improve DP performance

### Sentry™ Series

Truth's new Sentry Multi-Point Hinged Patio Door Hardware System combines innovative features with optimal security. With intuitive functionality like the 90° thumbturn located above the handle and high performance adjustable hinges, Sentry easily adapts to your current door system.

Tongue option fits standard 16 mm or 20 mm eurogrooves without additional remote lock processing

Reversible latch and self-positioning anti-slam device provide a non-handed system

Hook Bolt option creates secure lock-up



2939 2949

### Signature™ Series

Signature Series Handles are beautifully designed for patio doors of all sizes. Customize the look of your door with 13" or 10" long escutcheons that come in four different styles. Locking point can be located above or within the handle. Industry standard mounting hole spacing makes Signature handles an easy upgrade to your current system.

### Allure™ Series

With its distinctive styling, Allure's one-piece handles enhance any size patio door. Compatible with industry standard single- or multi-point mortise locks, Allure provides remarkable strength and reliability. Allure Handles are available with optional key lock cylinders, located in the center or offset positions within the handle.

### 2992 Series

The attractive 2992 Series patio door handles are made of durable single-piece die-cast construction. 2992 series outside handles are available with or without lock cylinder and may be used as outside pulls.

### 2939/2949 Series

Truth Hardware's 2939/2949 series **exterior** pulls are a low-profile option for exterior patio doors. These outside pulls can accommodate a key lock cylinder for locking and unlocking from the outside.

### Signature™ Series

The Signature Series—Truth's breathtaking handle sets for the sliding patio door market. Elegant in style and revolutionary in design, this unique set of distinct handles will enhance any size patio door. The unmatched versatility and "signature" contour shape defines this premier handle set.



1 Custom handle is easy to grasp.

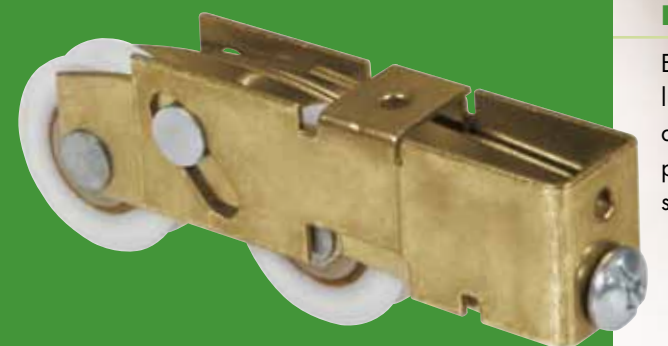
2 Locking point can be located above or within handle.

3 13" and 10" long escutcheon available for larger and smaller patio doors.



**Side Adjust Tandem Rollers** Quality and Endurance

Side Adjust Tandem Rollers feature radial ball bearings that are manufactured by Truth Hardware to provide the highest quality assemblies. Machined from high-quality solid steel, Truth's bearing raceways are heat-treated and plated for wear and corrosion resistance. This method produces long-lasting true running rollers capable of carrying the heaviest loads. Wheels are offered in various diameters with a choice of steel, stainless steel or nylon rolling surfaces.



**End Adjust Tandem Rollers** Dependable and True

End Adjust Tandem Rollers are equipped with full race, permanently lubricated radial ball bearings that are labyrinth-shielded to protect from dust and moisture. Ball bearings are manufactured by Truth Hardware to provide the highest quality assemblies. End Adjust Tandem Rollers can support doors up to 350 lbs.



**Screen Rollers** Resilient and Quiet

Truth Hardware offers a variety of tension Screen Rollers for use on screen doors. Screen Rollers are available with high quality radial ball bearing-equipped rollers and nylon wheels for long-lasting quiet performance. Most feature tension springs which keep rollers on track through downward pressure.



**Secondary Limiters** Sturdy and Safe

Truth's Patio Door Limiters easily engage and release for added security. Spring loaded and foot operated, Secondary Limiters can withstand an impressive forced entry attempt of 400 lbs. Limiters easily mount to the bottom rail of sliding doors.



**Single Point Mortise Locks** Efficient and Easy

See for yourself why mounting hardware is regaining popularity in residential construction. Truth offers a wide variety of unique Mortise Locks for aluminum, vinyl and wood sliding patio doors. In addition to Truth's keepers, spacers and adapters, our Mortise Locks work with many of the fine line patio door handle sets that we offer.

Rollers & Mortise Locks

**Nexus™ Mortise Locks** Versatile and Strong

The Nexus Lock System from Truth Hardware is the latest in two-point and multi-point lockset options for sliding patio doors. Combining both versatility and ease of installation, the Nexus System is suitable for either wood or vinyl door applications. Two-point system is available in either stainless steel or carbon steel, while the Multi-Point System is offered in stainless steel as a standard. Each system has unique individually adjustable locking points to provide additional forgiveness and increased security.

**Nexus™ Multi-Point System**

shown with three individually adjustable locking points.

**Nexus™ Two-Point System**

- 1 Innovative anti-slam pin adjusts in and out with the hook adjustment to ensure that when the pin is engaged the hook will engage the keeper.
- 2 Intuitive adjustment feature clearly indicates how to horizontally adjust the lock hooks allowing for flexibility in installation.
- 3 Nexus Two-Point Mortise Locks are available in either a flush mount, face mount (16mm or 20mm euro groove) or recessed application. Face mount shown here.

If you are designing a new door please contact Truth's highly trained Technical Services team. Truth can assist you with the selection of the appropriate hardware to meet your specific performance requirements as well as provide you with detailed application drawings.



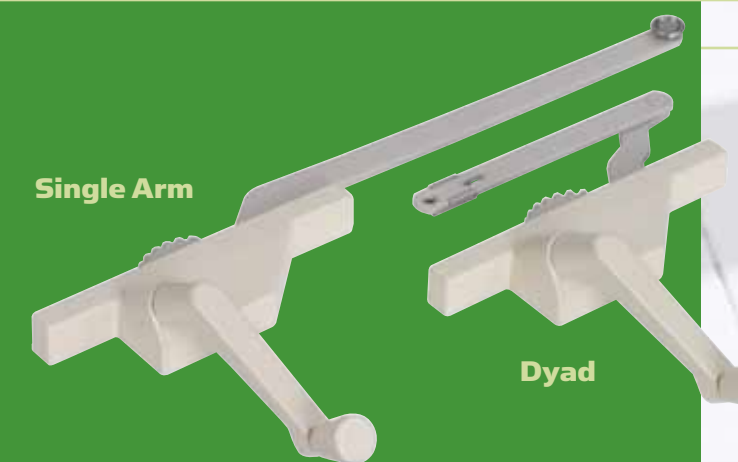
### Maxim® Strength and Performance

Designed for use on larger casement and awning windows, Maxim Operators easily mount to thin wall profiles made of fiberglass, aluminum and steel. Many painted and plated options are available. The most common is Maxim's zinc die-cast case and handle. Maxim operators feature a sealable housing which minimizes damage, creates a stable mounting surface and reduces water, dust and air infiltration for smoother operation and longer life. Dual axis mounting is available on all models. Certified AAMA 904.1, Maxim Operators allow larger applications to meet ADA requirements. Operators work most efficiently as a system with Maxim locks (page 17).



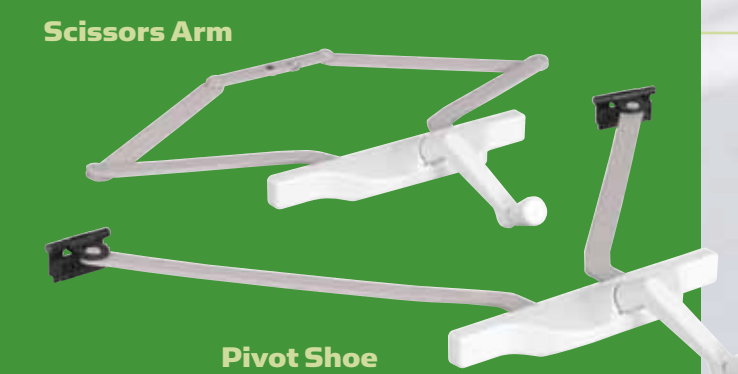
### Encore® Style Plus Performance

Encore operators provide all the strength and performance characteristics of Maxim, but with a removable snap-fit cover and streamlined full-flip folding handle which helps reduce inventory costs through non-color specific operators. Encore offers smaller sealable housing for reduced water and air infiltration. Enclosed gear train promotes smoother operation and longer life. Full-flip folding handle eliminates collapse during operation. Dual axis mounting is available on all models. Certified AAMA 904.1, Encore operators allow larger applications to meet ADA requirements.



### 23 Series Contemporary and Versatile

The contemporary styling of 23 Series Operators complements windows of all varieties. Commercially handed **Single Arm** Operators open windows 90° and complement Truth's 4-Bar Hinges. **Dyad** operators provide smooth operation of casement and single vent awning windows with both types of Truth Concealed Casement Hinges. The detachable clip linkage allows these operators to disengage for easy assembly and installation.



### 22 Series Sleek and Efficient

Truth's 22 Series Operators come in two special designs: Pivot Shoe and Scissors Arm. Designed for face-mounted applications or single vent awning windows, **Pivot Shoe Operators** pull windows smoothly from their corners and can open up to 10". **Scissors Arm Operators** are also designed for face-mounted applications to provide positive control of the sash in any position while producing a secure centered pull-in. A simple detach option disengages operators from the sash, providing easy installation and removal. Both 22 Series Operators are available in both front-mount and rear-mount styles.

## Skylight & Push Bar Operators

### Marvel™ Motorized Operator Versatile Control

This motorized system is designed for awning windows and skylights that weigh up to 90 lbs. Using a 110-volt household current, the Marvel system allows operation of multiple units from one control switch. A durable double-link chain opens windows and skylights up to 9.5". Marvel Motorized Operators come with mounting brackets that secure the operator to the center of the window, making this system one of the easiest to install. Marvel Motorized Operators are designed to work on windows with a properly sized counter-balance hinge and operator. ANSI/UL 325 and CAN/CSA C22.2 certified.



### Sentry II® HS Motor System Powerful and Smart

Designed for heavy skylights (160 lb. hatch weight), this digital system features a power conversion built right into the control package that accepts direct connection of line voltages. Power protected memory eliminates the need to reset the motor after a power outage. ETL listed and CE approved, the remote can control an infinite number of windows, skylights and even motorized blinds. The Sentry II HS Motor System features a rain sensor, which automatically closes skylights at the first sign of moisture. Available remote control utilizes rolling code technology to provide high security and peace of mind. A built-in thermostat allows skylights to open and close together.



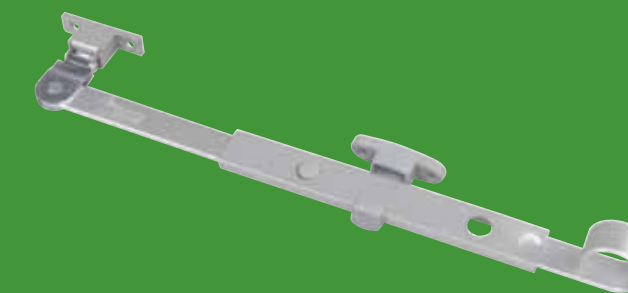
### Manual Skylight Operator Efficient and Accommodating

Compatible with wood, metal or vinyl skylights, Manual Skylight Operators are easy to install, simple to use and can lift up to 140 lbs. with minimal effort. Strong plastic case liner keeps the chain and sprocket sliding smoothly, making windows easy to open. Hardened steel chain is detachable at the sash for easy installation and provides years of noise-free operation. Straight Drive and Angle Drive are available along with standard and long handle versions.



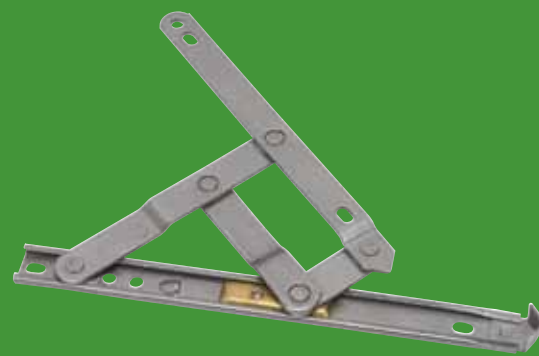
### Push Bar Operator Strong and Reliable

Telescoping Push Bar Operators are most commonly used for holding open outward-projected windows that are screened from the inside. The arm provides a generous window opening up to 14.5". The cams cover the nylon escutcheon ensuring the window is pulled tightly to the frame, eliminating air infiltration. To disengage, just push the index button on the operator arm.



If you are designing a new window please contact Truth's highly trained Technical Services team. Truth can assist you with the selection of the appropriate hardware to meet your specific performance requirements as well as provide you with detailed application drawings.





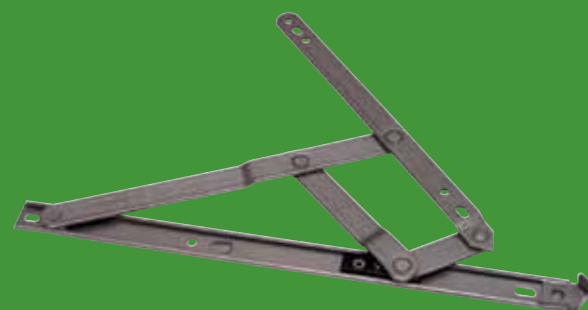
### 201/301 Series Standard & Heavy Duty 4-Bar Hinge

Non-handed 4-Bar Hinges are specially designed for casement, awning and projected vents with a lip on the outside edge. Standard 4-Bar Hinges are for lighter windows no heavier than 40 lbs. Heavy Duty 4-Bar Hinges are for commercial windows up to 200 lbs. 201/301 Series Hinges are manufactured with a black acetal or brass shoe. Truth's Standard Duty and Heavy Duty 4-Bar Hinges are available in both steel or stainless steel.



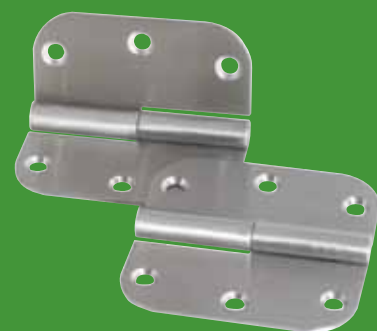
### 4-Bar Egress Hinge

Designed for casement windows, 222/333 Series Hinges can produce a 90° window opening. When fully open, the sash is positioned close to the side jamb to allow an average-sized person to escape in the event of an emergency. Non-handed and made of durable stainless steel, 4-Bar Egress Hinges allow outside vents to be washed from the inside. Standard Duty recommended for a maximum vent weight of 82 lbs; Heavy Duty: 158 lbs.



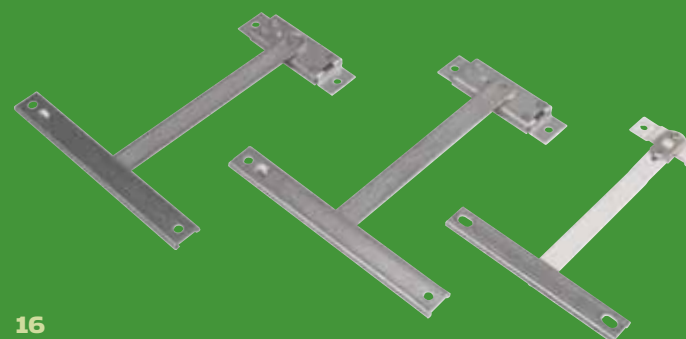
### 401/601 Series Stainless Steel 4-Bar Hinge

Designed for casement windows, 401 Series (standard) and 601 Series (heavy duty) stainless steel hinges produce a 90° window opening. 401/601 Series Hinges are designed to project vents as they pivot, avoiding interference between a lipped vent and frame.



### Butt Hinges

Designed to provide maximum egress opening, Butt Hinges are popular options on round tops or trapezoids. Unlike most exposed hinge systems, these hinges are partially concealed within the window's frame, making them tamper resistant. The loose hinge concept makes windows easy to install and maintenance free.



### Sash Control Devices

Truth's Sash Control Devices come in three varieties: Limit Devices, Friction Adjustors and Support Arms. Limit Devices restrict the opening on projected or casement windows. A variety of track and arm lengths are available. Friction Adjustors are used to add friction to hinges on projected windows. For top-hung windows, Support Arms are available in two models. The first opens to full extension and automatically locks into place. The second, designed to extend only 1.5", opens fully with the addition of a key. Once the key is removed, the arm automatically resets when closed.

## Hinges

## Locks

### Maxim® Multi-Point & Single-Point

Designed for casement and awning windows, Maxim Locks feature a progressive "zippered" locking effect which helps assure the top lock point always engages. Maxim Locks are non-handed to reduce inventory and feature an optional gasket around the base, ensuring a tight seal. On casement windows the addition of a lock point below the handle also improves lock-up. Maxim offers a single point system for awning windows using existing stainless steel keepers—no tie bars or guides required. Complements Maxim Operators (page 14).

### Locking Handles

Designed to complement a wide variety of vinyl, aluminum and fiberglass window applications, handles lock and unlock sashes when moved vertically. For casement applications that may have a hard-to-reach second locking point, some handles use a Tie Bar which allows the locking points to work in tandem. The nose has a slight taper, which improves keeper engagement and offers .437" pull-in.

### TrimLine & Pole Operated Cam Handle Locks

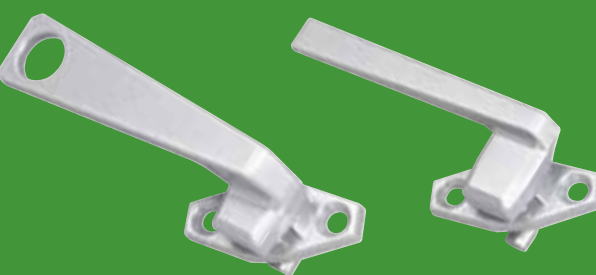
25 Series Locks feature a two-piece strike design with a wear-resistant black polyester insert for smooth operation. Inserts are available in various heights to assure tight lock-up. 25 Series Locks can withstand at least 300 lbs. of forced entry resistance per locking point. Rotating the handle 90° locks and unlocks the sash. With pole-operated locks, the hole in the handle allows users to operate the lock in elevated areas.

### TrimLine & Pole Operated Concealed Pawl Handle Locks

27 Series Locks feature a concealed pawl design that locks in-swinging windows from the inside. A wide range of concealed pawl and keeper designs accommodate most window styles. Pole-operated locks have a hole in the handle so users can operate locks in elevated areas. Rotating the handle 90° locks or unlocks the sash. Concealed Pawl locks are designed to increase both security and weather seal tightness. 27 Series locks withstand up to 150 lbs. of forced entry resistance per locking point.

### Custodial Locks

Spring-loaded and strong, 28 Series Custodial Locks provide tamper-resistant lock up. Rotating the key 90° locks or unlocks the sash. A slot in the housing requires a special key to operate the lock. One end of the key is removable in both the locked and unlocked positions; the other end—only in the locked position allowing the key to act as a handle when operating the vent. The key also acts as a handle when operating the vent. 28 Series Custodial Locks can withstand up to 300 lbs. of forced entry per locking point.



## Decorative Finishes



Bright Brass (13)



Brushed Antique Chrome (98)



Satin Nickel (10)



Oil Rubbed Bronze (52)



Brushed Chrome (53)



Antique Brass (14)



Bright Chrome (35)

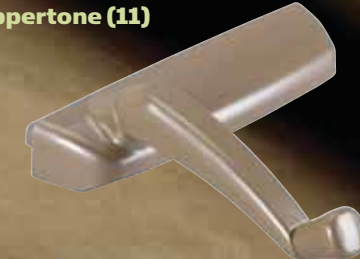


## Painted Finishes

Black (02)



Coppertone (11)



Beige (25)



Chestnut Bronze (23)



Aluminum (01)



Bright White (78)



Bronze (03)



Sahara Beige (41)



Snow White (42)



Faux Bronze (FB)



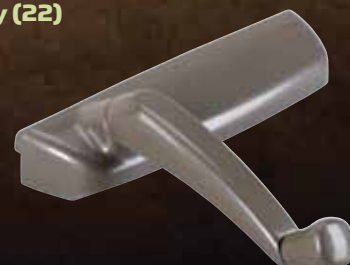
Sandstone (50)



White (38)



Clay (22)



Almond (CT)



White (32)



Gold (29)



Beige (24)



White (WC)



### A better perspective on finishes

Truth Hardware offers a full range of beautiful and durable finishes. Our state-of-the-art paint facilities ensure the highest quality surfaces from traditional painted finishes to designer decorative finishes. You can select from **more than 25 choices** to find the right finish for building a better window, patio door or skylight. With an emphasis on high quality and quick turnaround, Truth's finishes are better from every perspective.

Truth Hardware offers the same quality finishes on our complete line of locks, operators and patio door hardware.

For samples or more information, a Truth representative is ready to help you at **1-800-866-7884**.



## Truth Hardware's Warranty for Window & Door Manufacturers & Authorized Distributors

All Truth Hardware products, with the exception of electrical products\*, are warranted against defects in materials and workmanship for 10 years.

Truth Hardware's warranty is expressly limited to window & door manufacturers and Truth Hardware Authorized Distributors, who purchase Truth Hardware products for the purpose of resale, or use in the ordinary course of the buyers business, and may not be assigned or transferred.

This warranty does not cover normal wear or discoloration on finishes, or any product which has been improperly installed, abused, misused, worn out, altered, used for a purpose other than that for which it was intended, or in a manner inconsistent with any instructions regarding its use, nor does it cover corrosion related damage. This warranty only covers electrical products that are used to drive manual hardware systems (operators and hinges) manufactured by Truth Hardware.

THIS WARRANTY IS EXCLUSIVE. TRUTH HARDWARE MAKES NO OTHER WARRANTY OF ANY KIND WHATSOEVER, EXPRESS OR IMPLIED, WITH RESPECT TO THE PRODUCTS MANUFACTURED AND SOLD BY IT, WHETHER AS TO MERCHANTABILITY, FITNESS FOR A PARTICULAR PURPOSE, OR ANY OTHER MATTER. No agent, employee or representative of Truth Hardware has any authority to bind Truth Hardware to any affirmation, representation, or warranty concerning Truth Hardware products or parts, except stated herein.

If any product manufactured by Truth Hardware is found to be defective by Truth Hardware, in its sole judgment, Truth Hardware will, at its option, either repair or replace with the same, or a substantially equivalent replacement, for such defective product. Truth's liability is limited only to the replacement value of the hardware. THIS REMEDY SHALL BE THE EXCLUSIVE REMEDY AVAILABLE FOR ANY DEFECTS IN THE PRODUCTS MANUFACTURED AND SOLD BY TRUTH HARDWARE OR FOR DAMAGES RESULTING FROM ANY OTHER CAUSE WHATSOEVER, INCLUDING WITHOUT LIMITATION, TRUTH HARDWARE'S NEGLIGENCE. TRUTH HARDWARE SHALL NOT IN ANY EVENT BE LIABLE TO ANY BUYER FOR CONSEQUENTIAL, OR INCIDENTAL, OR PUNITIVE DAMAGES OF ANY KIND, OR FOR THE LABOR WHICH MAY BE REQUIRED FOR THE REPLACEMENT OF SAID PRODUCT, WHETHER FOR BREACH OF WARRANTY, NEGLIGENCE, ON THE BASIS OF STRICT LIABILITY, OR FOR ANY OTHER REASON.

The purpose of this exclusive remedy shall be to provide the window/door manufacturer, or Truth Hardware Authorized Distributor, with replacement of products, or parts, manufactured by Truth Hardware found to be defective in materials or workmanship, or negligently manufactured. This exclusive remedy shall not be deemed to have failed of its essential purpose so long as Truth Hardware is willing and able to repair or replace said defective products or parts in the prescribed manner.

*\*All Truth Hardware electrical products are warranted for one (1) year against defects in materials and workmanship.*

### Terms & Conditions of Sale

**TERMS:** 1%/10 days - net 30 days on hardware purchases. Net 30 days on freight charges. Tooling invoice terms are available upon request.

**FREIGHT:** F.O.B. Factory

**CONDITIONS:** Initial orders, and all subsequent orders placed before credit is established with Truth Hardware, will be on a cash-in-advance or C.O.D. basis. Cash-in-advance orders will be entered by Truth Hardware upon the receipt of the order and payment. Pricing is determined at time of shipment.

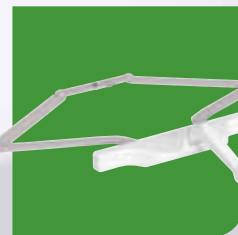
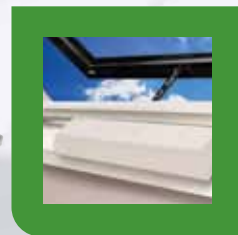
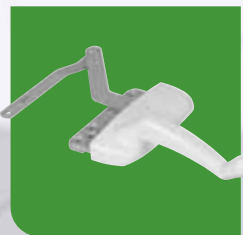
**RETURN GOODS:** Authorization from our Sales Department is required in advance for all goods to be returned to Truth Hardware. Authorization will be granted in all cases of defective product or incorrect shipments due to an error on Truth Hardware's part. Truth Hardware may also, at its option, authorize the return of other goods subject to a 25% restocking charge and including and offsetting order equal in value to the amount of the return. Product considered for return must be standard product, built to current Truth Hardware manufacturing specifications, no older than the immediate past calendar year, clean, resalable, in full unopened cartons. The quantity to be returned cannot be excessive based on Truth Hardware's current level of sales and inventory position. Freight on all return goods must be prepaid to our plant and merchandise must be received within 30 days of date of authorization.



### Truth's Green Mission

Each day, the employees at Truth Hardware make a concerted effort to reduce waste, reuse materials and recycle. Truth is committed to eliminating waste and saving energy through the discovery and development of new technologies and improved processes. Truth takes its industry leadership seriously and continuously implements environmentally responsible practices.

MOTORIZED LOCKS ■ AWNING LOCKS ■ CASEMENT HINGES ■ AWNING OPERATORS ■ PATIO DOOR HANDLES



PATIO DOOR HARDWARE ■ MOTORIZED OPERATORS ■ CASEMENT LOCKS ■ SLIDING WINDOW HARDWARE

**TRUTH HARDWARE**

700 WEST BRIDGE STREET, OWATONNA, MN 55060

■ TEL 800.866.7884

■ FAX 507.451.5655

■ [TRUTH.COM](http://TRUTH.COM)

The following overview will help you to locate the channel balances you are looking for. There are three basic classifications: 1. **Non-tilt Balances** 2. **Tilt Balances** 3. **Overhead Balances**. We have designated each of these classifications and have made additional notes to help you determine your specific requirements. For more information, please note the detailed chart page for each individual series.

<p><b>CB 0 Balance</b> Non-Tilt 5/8"</p> <p><b>CB9006</b></p> <p>9/16" Channel Width</p> <p>Specify Channel Length</p> <p>Indicate Factory Numbers or Letters Stamped On Balance Face</p> <p>5/8" Channel Depth</p> <p><b>CB9003</b></p> <p>Must always have top and bottom guides attached Many guide variations available</p>	<p><b>CB - Caldwell</b> Non-Tilt 5/8"</p> <p>5/8" Channel Width</p> <p>This has a hemmed edge and, in most cases, has an adjustment screw.</p> <p>Indicate Factory Numbers or Letters Stamped On Balance Face</p> <p>Specify Channel Length</p> <p>Tension adjustment screw</p> <p>19/32" Channel Depth</p> <p><b>CB9006-Caldwell</b></p> <p><b>CB9003-Caldwell</b></p>	<p><b>CB 2 Balance</b> Non Ribbed 5/8"</p> <p>Non ribbed</p> <p>9/16" Channel Width</p> <p>Specify Channel Length</p> <p>Indicate Factory Numbers or Letters Stamped On Balance Face</p> <p>5/8" Channel Depth</p> <p>Comes with CB9062 guide, as shown</p>	<p><b>CB 3 Balance</b> Tilt 5/8"</p> <p>9/16" Channel Width</p> <p>Specify Channel Length</p> <p>Indicate Factory Numbers or Letters Stamped On Balance Face</p> <p>5/8" Channel Depth</p>
<p><b>CB 4 Balance</b> Non-Tilt 3/8"</p> <p>13/32" Channel width</p> <p>3/8" version of the CB 0 Series</p> <p>Must have top and bottom guide attached</p> <p>Indicate Factory Numbers or Letters Stamped On Balance Face</p> <p>Specify Channel Length</p> <p>3/8" Channel Depth</p> <p><b>CB9040</b></p> <p><b>CB9041</b></p>	<p><b>CB 5 SERIES</b> Tilt 9/16"</p> <p>9/16" Channel Width</p> <p>Indicate Factory Numbers or Letters Stamped On Balance Face</p> <p>Specify Channel Length</p> <p>5/8" Channel Depth</p>	<p><b>CB 6 Balance</b> Tilt 9/16"</p> <p>Ribbed</p> <p>9/16" Channel Width</p> <p>Indicate Factory Numbers or Letters Stamped On Balance Face</p> <p>Specify Channel Length</p> <p><b>CB9062</b></p>	<p><b>CB1010 Balance</b> Non Tilt For Overhead</p> <p>Used on West Coast</p> <p>Standard cord length is determined from balance to hook at bottom of closed sash</p> <p>Specify Channel Length</p>

**CB1100 & CB1150  
Invisible Balances**

Mounted in the side of the window sash

Used mainly in custom wood windows when jamb liners will not work

Dacron cord used in newer style

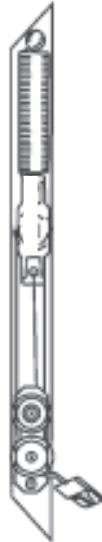
"A" type - single spring  
"AX" type - double spring



**CB1200 Balance  
Bantam**

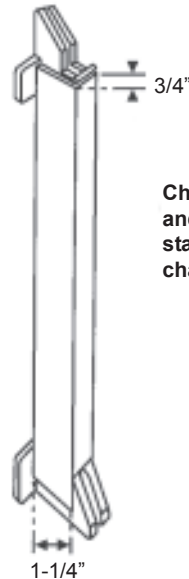
One of the first overhead balances

Channel Height  
5/8"  
9/16"  
Channel Width



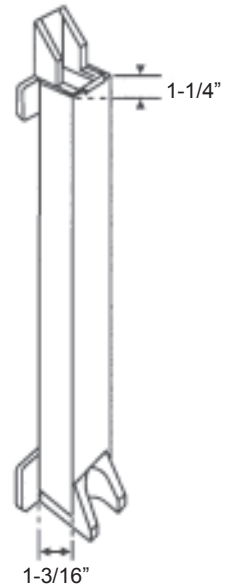
**CB1600 Balance  
Non-Tilt**

Balance has 2 internal springs



**CB6400 Balance  
Non-Tilt**

Balance has 4 internal springs



**Note: Special order item. Non-returnable**

**CB7400 Balance  
Series Tilt  
Ribbed**

These balances are designed to fit into vinyl jamb liners

End view of channel shape of ribbed balances

**CB9295**

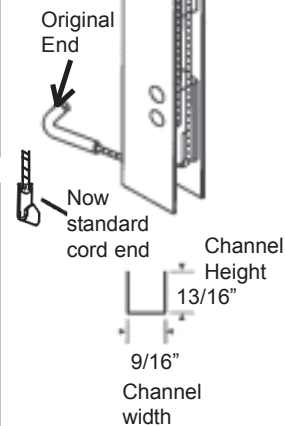


**CB7700 Balance  
Non-Tilt  
Rusco**



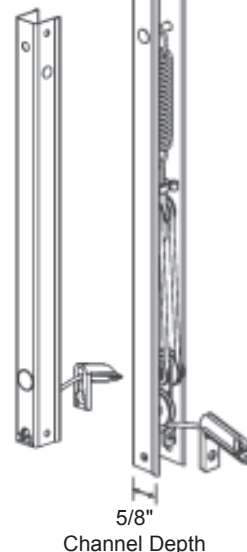
**CB8200 Balance  
Non Tilt for Overhead  
5 to 1 Overhead**

Original design used wire cable. New design uses Dacron Cord

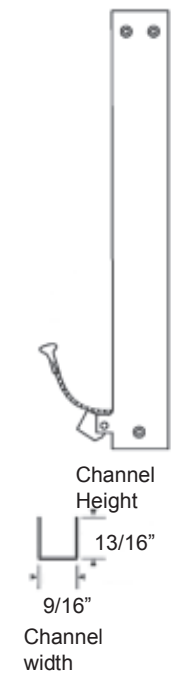


**CB8300 Balance  
Non-Tilt  
Peachtree**

9/16"  
Channel Width



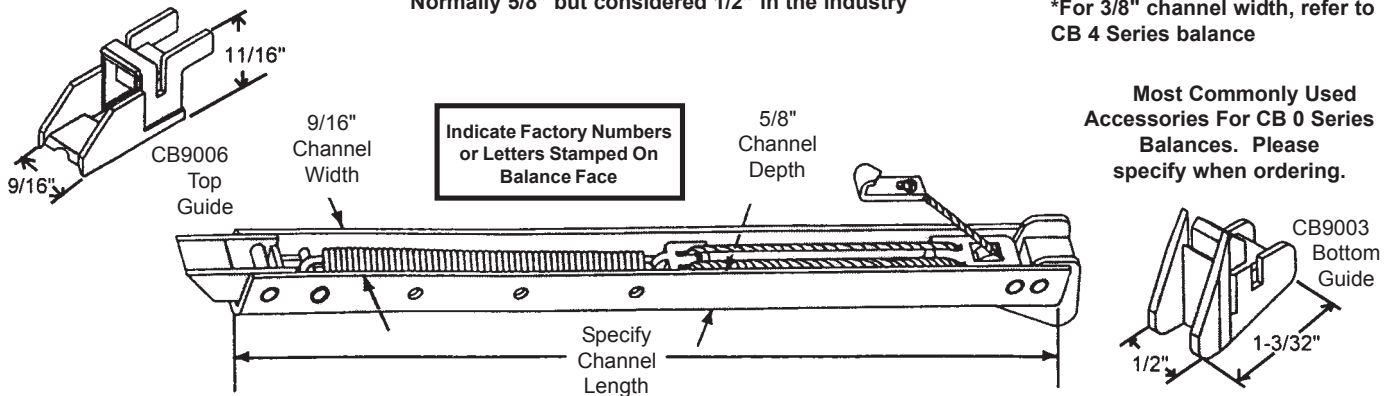
**CB8900 Balance  
Overhead  
Devac Balances**



Double Spring Channel

**1/2" Channel Balance**  
Normally 5/8" but considered 1/2" in the industry

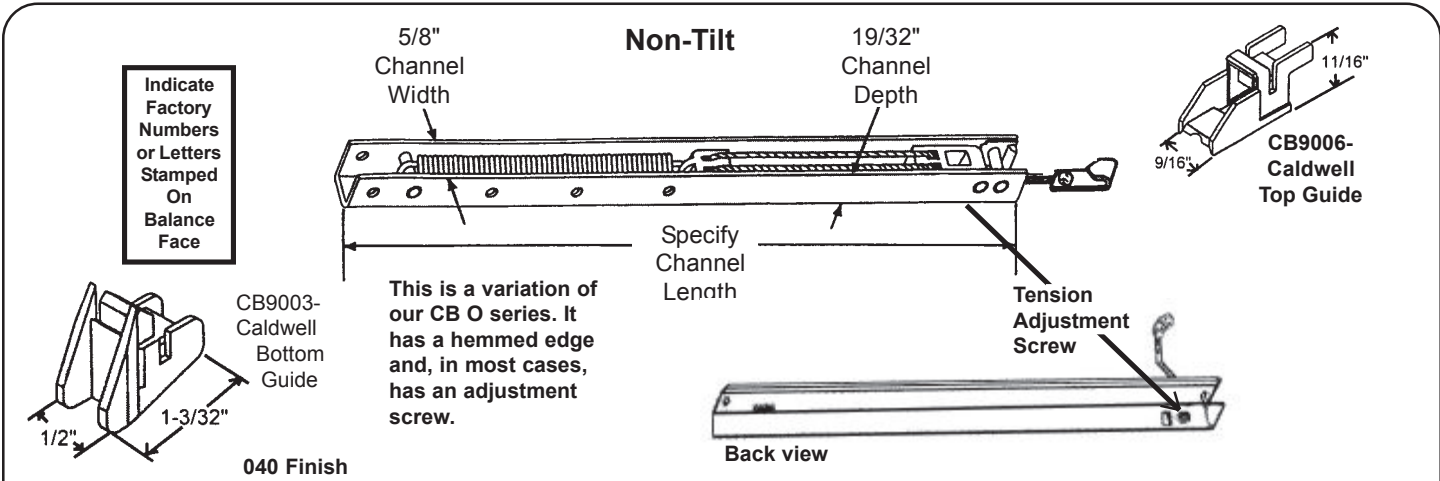
\*For 3/8" channel width, refer to  
CB 4 Series balance



**Most Commonly Used  
Accessories For CB 0 Series  
Balances. Please  
specify when ordering.**

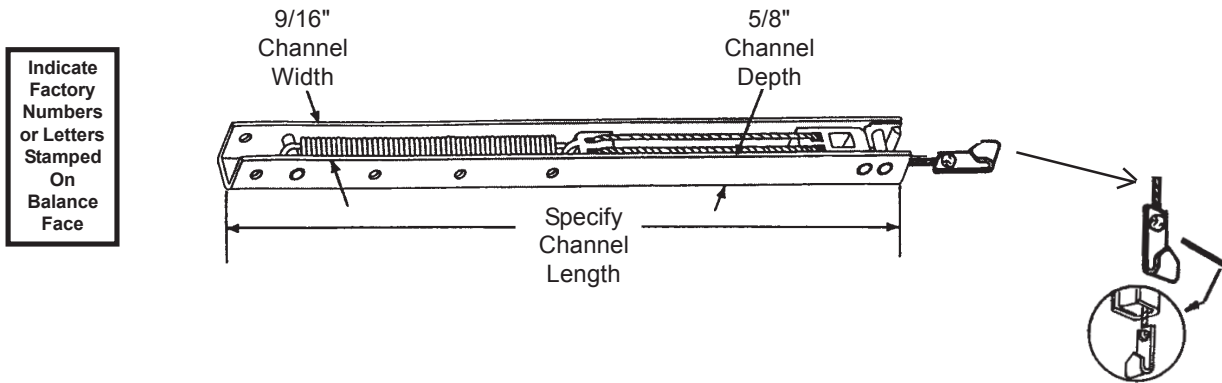
**CB 0 SERIES BALANCE DETAILS**

CHAN- NEL LENGTH	NO. ON BALANCE	BLAINE PART NO.	NO. ON BALANCE	BLAINE PART NO.	NO. ON BALANCE	BLAINE PART NO.	NO. ON BALANCE	BLAINE PART NO.	NO. ON BALANCE	BLAINE PART NO.
7"	610/6A	CB1-610	620/6B	CB1-620	630/6C	CB1-630				
8"	710/7A	CB1-710	720/7B	CB1-720	730/7C	CB1-730				
9"	810/8A	CB1-810	820/8B	CB1-820	830/8C	CB1-830	840/8D	CB1-840		
10"	910/9A	CB1-910	920/9B	CB1-920	930/9C	CB1-930	940/9D	CB1-940		
11"	1010/10A	CB1-1010	1020/10B	CB1-1020	1030/10C	CB1-1030	1040/10D	CB1-1040		
12"	1110/11A	CB1-1110	1120/11B	CB1-1120	1130/11C	CB1-1130	1140/11D	CB1-1140		
13"	1210/101/12A	CB2-1210	1220/102/12B	CB2-1220	1230/103/12C	CB2-1230	1240	CB6		
14"	1310/13A	CB4	1320/13B	CB5	1330/13C	CB5-1330	1340/13D	CB3		
15"	1410/14/14A	CB7	1420/15/14B	CB8	1430/16/14C	CB8-A	1440/14D	CB9		
16"	1510/15A	CB10	1520/15B	CB11	1530/15C	CB11-A	1540/15D	CB12		
17"	1610/111/16A	CB13	1620/112/16B	CB14	1630/113/16C	CB14-A	1640/112HD/16D	CB15		
18"	1710/17A	CB16	1720/17B	CB17	1730/17C	CB17-A	1740/17D	CB18		
19"	1810/18/18A	CB19	1820/19/18B	CB20	1830/20/18C	CB20-A	1840/19HD/18D	CB21		
20"	1910/19A	CB22	1920/19B	CB23	1930/19C	CB23-A	1940/19D	CB24		
21"	2010/121/20A	CB25	2020/122/20B	CB26	2030/123/20C	CB27	2040/123HD/20D	CB28		
22"	2110/21A	CB29	2120/21B	CB30	2130/21C	CB31	2140/21D	CB32		
23"	2210/141/22A	CB33	2220/142/22B	CB34	2230/143/22C	CB35	2240/143HD/22D	CB36		
24"	2310/23A	CB37	2320/23B	CB38	2330/23C	CB39	2340/23D	CB40		
25"	2410/151/24A	CB41	2420/152/24B	CB42	2430/153/24C	CB43	2440/55HD/24D	CB44		
26"	2510/241/25A	CB45	2520/242/25B	CB46	2530/243/25C	CB47	2540/25D	CB48		
27"	2610/161/26A	CB49	2620/162/26B	CB50	2630/163/26C	CB51	2620/163HD/26D	CB52		
28"	2710/27A	CB53	2720/27B	CB54	2730/27C	CB55	2740/27D	CB56		
29"	2810/181/28A	CB57	2820/182/28B	CB58	2830/183/28C	CB59	2840/183HD/28D	CB60	28E/2850	CB60-2850
30"	2910/29A	CB61	2920/29B	CB62	2930/29C	CB63	2940/29D	CB64	29E/2950	CB64-A
31"	3010/191/30A	CB65	3020/192/30B	CB66	3030/193/30C	CB67	3040/193HD/30D	CB68	30E/3050	CB68-A
32"	3110/31A	CB69	3120/31B	CB70	3130/31C	CB71	3140/31D	CB72	31E/3150	CB72-3150
33"	3210/201/32A	CB73	3220/202/32B	CB74	3230/203/32C	CB75	3240/32D	CB76	32E/3250	CB76-HD
34"	3310/33A	CB77	3320/33B	CB78	3330/33C	CB79	3340/33D	CB80	33E/3350	CB80-A
35"	3410/221/34A	CB81	3420/222/34B	CB82	3430/223/34C	CB83	3440/34D	CB84	34E/3450	CB84-A
36"	3510/35A	CB85	3520/35B	CB86	3530/35C	CB87	3540/35D	CB88	35E/3550	CB88-3550
37"	3610/231/36A	CB89	3620/232/36B	CB90	3630/233/36C	CB91	3640/36D	CB92	36E/3650	CB92-3650
38"	3710/37A	CB93	3720/37B	CB94	3730/37C	CB95	3740/37D	CB96	37E/3750	CB96-3950
39"	3810/241/38A	CB97	3820/242/38B	CB98	3830/243/38C	CB99	3840/38D	CB100	38E/3850	CB100-A
40"	3910/39A	CB101	3920/39B	CB102	3930/39C	CB103	3940/39D	CB104	39E/3950	CB104-3950
41"	4010/40A	CB105	4020/40B	CB106	4030/40C	CB107	4040/40D	CB108	40E/4050	CB108-HD
42"	4110/41A	CB109	4120/41B	CB110	4130/41C	CB111	4140/41D	CB112	41E/4150	CB112-4150
43"	4210/261/42A	CB113	4220/262/42B	CB114	4230/263/42C	CB115	4240/42D	CB116	42E/4250	CB116-4250
44"	4310/43A	CB117	4320/43B	CB118	4330/43C	CB119	4340/43D	CB120	43E/4350	CB120-B
45"	4410/271/44A	CB121	4420/272/44B	CB122	4430/273/44C	CB123	4440/44D	CB124	44E/4450	CB124-4550
46"	4510/45A	CB125	4520/45B	CB126	4530/45C	CB127	4540/45D	CB128	45E/4550	CB128-A
47"	4610/281/46A	CB129	4620/282/46B	CB130	4630/283/46C	CB131	4640/46D	CB132	46E/4650	CB132-A
48"	4710/47A	CB133	4720/47B	CB134	4730/47C	CB135	4740/47D	CB136	47E/4750	CB136-4750
49"	4810/291/48A	CB137	4820/292/48B	CB138	4830/293/48C	CB139	4840/48D	CB140	48E/4850	CB140-4850
50"	4910/49A	CB141	4920/49B	CB142	4930/49C	CB143	4940/49D	CB144	49E/4950	CB144-4950
51"									50E/5050	CB148-5050
52"									51E/5150	CB152-5150
53"									52E/5250	CB156-5250
54"									53E/5350	CB160-5350



Channel Length	No. Stamp'd On Bal.	Blaine Part Number	Channel Length	No. Stamp'd On Bal.	Blaine Part Number	Channel Length	No. Stamp'd On Bal.	Blaine Part Number	Channel Length	No. Stamp'd On Bal.	Blaine Part Number
13	12-1	CB0002-Cald-12-1	22	21-1	CB0029-Cald-21-1	31	30-1	CB0065-Cald-30-1	40	39-1	CB0101-Cald-39-1
	12-2	CB0002-Cald-12-2		21-2	CB0030-Cald-21-2		30-2	CB0066-Cald-30-2		39-2	CB0102-Cald-39-2
	12-3	CB0002-Cald-12-3		21-3	CB0031-Cald-21-3		30-3	CB0068-Cald-30-3		39-3	CB0103-Cald-39-3
	12-4	CB0002-Cald-12-4		21-4	CB0032-Cald-21-4		30-4	CB0068-Cald-30-4		39-4	CB0104-Cald-39-4
	12-5	CB0002-Cald-12-5		21-5	CB0032-Cald-21-5		30-5	CB0068-Cald-30-5		39-5	CB0104-Cald-39-5
14	13-1	CB0005-Cald-13-1	23	22-1	CB0033-Cald-22-1	32	31-1	CB0069-Cald-31-1	41	40-1	CB0105-Cald-40-1
	13-2	CB0005-Cald-13-2		22-2	CB0034-Cald-22-2		31-2	CB0070-Cald-31-2		40-2	CB0106-Cald-40-2
	13-3	CB0005-Cald-13-3		22-3	CB0035-Cald-22-3		31-3	CB0071-Cald-31-3		40-3	CB0107-Cald-40-3
	13-4	CB0006-Cald-13-4		22-4	CB0036-Cald-22-4		31-4	CB0072-Cald-31-4		40-4	CB0108-Cald-40-4
	13-5	CB0006-Cald-13-5		22-5	CB0036-Cald-22-5		31-5	CB0072-Cald-31-5		40-5	CB0108-Cald-40-5
15	14-1	CB0008-Cald-14-1	24	23-1	CB0037-Cald-23-1	33	32-1	CB0073-Cald-32-1	42	41-1	CB0109-Cald-41-1
	14-2	CB0008-Cald-14-2		23-2	CB0038-Cald-23-2		32-2	CB0074-Cald-32-2		41-2	CB0110-Cald-41-2
	14-3	CB0008-Cald-14-3		23-3	CB0039-Cald-23-3		32-3	CB0075-Cald-32-3		41-3	CB0111-Cald-41-3
	14-4	CB0009-Cald-14-4		23-4	CB0040-Cald-23-4		32-4	CB0076-Cald-32-4		41-4	CB0112-Cald-41-4
	14-5	CB0009-Cald-14-5		23-5	CB0040-Cald-23-5		32-5	CB0076-Cald-32-5		41-5	CB0112-Cald-41-5
16	15-1	CB0010-Cald-15-1	25	24-1	CB0041-Cald-24-1	34	33-1	CB0077-Cald-33-1	43	42-1	CB0113-Cald-42-1
	15-2	CB0011-Cald-15-2		24-2	CB0042-Cald-24-2		33-2	CB0078-Cald-33-2		42-2	CB0114-Cald-42-2
	15-3	CB0011-Cald-15-3		24-3	CB0043-Cald-24-3		33-3	CB0080-Cald-33-3		42-3	CB0115-Cald-42-3
	15-4	CB0012-Cald-15-4		24-4	CB0044-Cald-24-4		33-4	CB0080-Cald-33-4		42-4	CB0116-Cald-42-4
	15-5	CB0012-Cald-15-5		24-5	CB0044-Cald-24-5		33-5	CB0080-Cald-33-5		42-5	CB0116-Cald-42-5
17	16-1	CB0014-Cald-16-1	26	25-1	CB0045-Cald-25-1	35	34-1	CB0081-Cald-34-1	44	43-1	CB0117-Cald-43-1
	16-2	CB0014-Cald-16-2		25-2	CB0046-Cald-25-2		34-2	CB0082-Cald-34-2		43-2	CB0118-Cald-43-2
	16-3	CB0015-Cald-16-3		25-3	CB0047-Cald-25-3		34-3	CB0083-Cald-34-3		43-3	CB0119-Cald-43-3
	16-4	CB0015-Cald-16-4		25-4	CB0048-Cald-25-4		34-4	CB0083-Cald-34-4		43-4	CB0120-Cald-43-4
	16-5	CB0015-Cald-16-5		25-5	CB0048-Cald-25-5		34-5	CB0084-Cald-34-5		43-5	CB0120-Cald-43-5
18	17-1	CB0016-Cald-17-1	27	26-1	CB0049-Cald-26-1	36	35-1	CB0085-Cald-35-1	45	44-1	CB0121-Cald-44-1
	17-2	CB0017-Cald-17-2		26-2	CB0050-Cald-26-2		35-2	CB0086-Cald-35-2		44-2	CB0122-Cald-44-2
	17-3	CB0017-Cald-17-3		26-3	CB0051-Cald-26-3		35-3	CB0087-Cald-35-3		44-3	CB0123-Cald-44-3
	17-4	CB0018-Cald-17-4		26-4	CB0052-Cald-26-4		35-4	CB0088-Cald-35-4		44-4	CB0124-Cald-44-4
	17-5	CB0018-Cald-17-5		26-5	CB0052-Cald-26-5		35-5	CB0088-Cald-35-5		44-5	CB0124-Cald-44-5
19	18-1	CB0019-Cald-18-1	28	27-1	CB0053-Cald-27-1	37	36-1	CB0089-Cald-36-1	36-5		
	18-2	CB0020-Cald-18-2		27-2	CB0054-Cald-27-2		36-2	CB0090-Cald-36-2			
	18-3	CB0020-Cald-18-3		27-3	CB0055-Cald-27-3		36-3	CB0091-Cald-36-3			
	18-4	CB0021-Cald-18-4		27-4	CB0056-Cald-27-4		36-4	CB0092-Cald-36-4			
	18-5	CB0021-Cald-18-5		27-5	CB0056-Cald-27-5		36-5	CB0092-Cald-36-5			
20	19-1	CB0022-Cald-19-1	29	28-1	CB0057-Cald-28-1	38	37-1	CB0093-Cald-37-1	37-5		
	19-2	CB0023-Cald-19-2		28-2	CB0058-Cald-28-2		37-2	CB0094-Cald-37-2			
	19-3	CB0023-Cald-19-3		28-3	CB0059-Cald-28-3		37-3	CB0095-Cald-37-3			
	19-4	CB0024-Cald-19-4		28-4	CB0059-Cald-28-4		37-4	CB0096-Cald-37-4			
	19-5	CB0024-Cald-19-5		28-5	CB0060-Cald-28-5		37-5	CB0096-Cald-37-5			
21	20-1	CB0025-Cald-20-1	30	29-1	CB0061-Cald-29-1	39	38-1	CB0097-Cald-38-1	38-5		
	20-2	CB0026-Cald-20-2		29-2	CB0062-Cald-29-2		38-2	CB0098-Cald-38-2			
	20-3	CB0027-Cald-20-3		29-3	CB0063-Cald-29-3		38-3	CB0099-Cald-38-3			
	20-4	CB0028-Cald-20-4		29-4	CB0064-Cald-29-4		38-4	CB0100-Cald-38-4			
	20-5	CB0028-Cald-20-5		29-5	CB0064-Cald-29-5		38-5	CB0100-Cald-38-5			

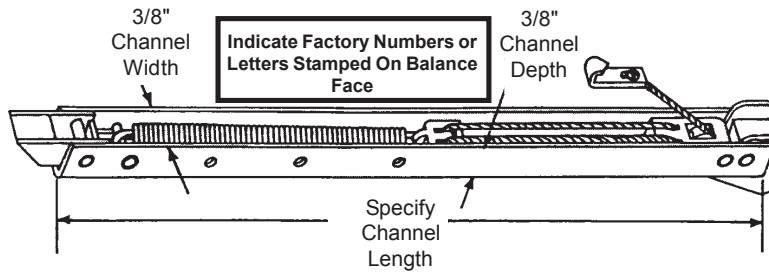
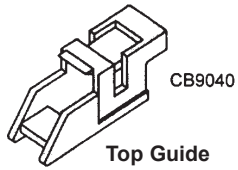




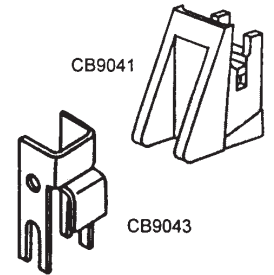
Length of Metal Channel	No. Stamped On Bal.	Blaine Part Number	No. Stamped On Bal.	Blaine Part Number	No. Stamped On Bal.	Blaine Part Number	No. Stamped On Bal.	Blaine Part Number
13	1210 or 13A	CB3001-040	1220 or 13B	CB3002-040	1230 or 13C	CB3001-13C	1240 or 13D	CB3001-13D
14	1310 or 14A	CB3003-040	1320 or 14B	CB3004-040	1330 or 14C	CB3004-14C	1340 or 14D	CB3004-14D
15	1410 or 15A	CB3005-040	1420 or 15B	CB3006-040	1430 or 15C	CB3006-15C	1440 or 15D	CB3006-15D
16	1510 or 16A	CB3007-040	1520 or 16B	CB3008-040	1530 or 16C	CB3008-16C	1540 or 16D	CB3008-16D
17	1610 or 17A	CB3009-040	1620 or 17B	CB3010-040	1630 or 17C	CB3010-17C	1640 or 17D	CB3010-17D
18	1710 or 18A	CB3011-040	1720 or 18B	CB3012-040	1730 or 18C	CB3012-18C	1740 or 18D	CB3012-18D
19	1810 or 19A	CB3013-040	1820 or 19B	CB3014-040	1830 or 19C	CB3014-19C	1840 or 19D	CB3014-19D
20	1910 or 20A	CB3015-040	1920 or 20B	CB3016-040	1930 or 20C	CB3016-20C	1940 or 20D	CB3016-20D
21	2010 or 21A	CB3017-040	2020 or 21B	CB3018-040	2030 or 21C	CB3019-040	2040 or 21D	CB3019-21D
22	2110 or 22A	CB3020-040	2120 or 22B	CB3021-040	2130 or 22C	CB3021-22C	2140 or 22D	CB3022-040
23	2210 or 23A	CB3023-040	2220 or 23B	CB3024-040	2230 or 23C	CB3025-23C	2240 or 23D	CB3025-23D
24	2310 or 24A	CB3026-040	2320 or 24B	CB3027-040	2330 or 24C	CB3028-040	2340 or 24D	CB3028-24D
25	2410 or 25A	CB3029-040	2420 or 25B	CB3030-040	2430 or 25C	CB3030-25C	2440 or 25D	CB3030-25D
26	2510 or 26A	CB3032-040	2520 or 26B	CB3033-040	2530 or 26C	CB3034-040	2540 or 26D	CB3034-26D
27	2610 or 27A	CB3035-040	2620 or 27B	CB3036-040	2630 or 27C	CB3037-040	2640 or 27D	CB3037-27D
28	2710 or 28A	CB3038-040	2720 or 28B	CB3039-040	2730 or 28C	CB3040-040	2740 or 28D	CB3040-28D
29	2810 or 29A	CB3041-040	2820 or 29B	CB3042-040	2830 or 29C	CB3043-040	2840 or 29D	CB3043-29D
30	2910 or 30A	CB3044-040	2920 or 30B	CB3045-040	2930 or 30C	CB3046-040	2940 or 30D	CB3046-30D
31	3010 or 31A	CB3047-040	3020 or 31B	CB3048-040	3030 or 31C	CB3049-040	3040 or 31D	CB3049-31D
32	3110 or 32A	CB3050-040	3120 or 32B	CB3051-040	3130 or 32C	CB3052-040	3140 or 32D	CB3052-32D
33	3210 or 33A	CB3053-040	3220 or 33B	CB3054-040	3230 or 33C	CB3055-040	3240 or 33D	CB3055-33D
34	3310 or 34A	CB3056-040	3320 or 34B	CB3057-040	3330 or 34C	CB3058-040	3340 or 34D	CB3058-34D
35	3410 or 35A	CB3059-040	3420 or 35B	CB3060-040	3430 or 35C	CB3061-040	3440 or 35D	CB3061-35D
36	3510 or 36A	CB3062-040	3520 or 36B	CB3063-040	3530 or 36C	CB3064-040	3540 or 36D	CB3064-36D
37	3610 or 37A	CB3065-040	3620 or 37B	CB3066-040	3630 or 37C	CB3067-040	3640 or 37D	CB3067-37D
38	3710 or 38A	CB3068-040	3720 or 38B	CB3069-040	3730 or 38C	CB3070-040	3740 or 38D	CB3070-38D
39	3810 or 39A	CB3071-040	3820 or 39B	CB3072-040	3830 or 39C	CB3073-040	3840 or 39D	CB3073-39D
40	3910 or 40A	CB3074-040	3920 or 40B	CB3075-040	3930 or 40C	CB3076-040	3940 or 40D	CB3076-40D
41	4010 or 41A	CB3077-040	4020 or 41B	CB3078-040	4030 or 41C	CB3079-040	4040 or 41D	CB3079-41D
42	4110 or 42A	CB3080-040	4120 or 42B	CB3081-040	4130 or 42C	CB3082-040	4140 or 42D	CB3082-42D
43	4210 or 43A	CB3083-040	4220 or 43B	CB3084-040	4230 or 43C	CB3085-040	4240 or 43D	CB3085-43D
44	4310 or 44A	CB3086-040	4320 or 44B	CB3087-040	4330 or 44C	CB3088-040	4340 or 44D	CB3088-44D

**3/8" Channel Balance - Non Tilt**

Most Commonly Used  
Accessories For CB 4 Series  
Balances



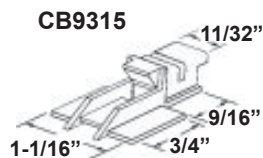
Bottom Guide



Length of Metal Channel	No. Stamped On Bal.	BWH Part No.	Length of Metal Channel	No. Stamped On Bal.	BWH Part No.	Length of Metal Channel	No. Stamped On Bal.	BWH Part No.
11	10A	CB4001	11	10B	CB4002	11	10C	CB4003
12	11A	CB4004	12	11B	CB4005	12	11C	CB4006
13	12A	CB4007	13	12B	CB4008	13	12C	CB4009
14	13A	CB4010	14	13B	CB4011	14	13C	CB4012
15	14A	CB4013	15	14B	CB4014	15	14C	CB4015
16	15A	CB4016	16	15B	CB4017	16	15C	CB4018
17	16A	CB4019	17	16B	CB4020	17	16C	CB4021
18	17A	CB4022	18	17B	CB4023	18	17C	CB4024
19	18A	CB4025	19	18B	CB4026	19	18C	CB4027
20	19A	CB4028	20	19B	CB4029	20	19C	CB4030
21	20A	CB4031	21	20B	CB4032	21	20C	CB4033
22	21A	CB4034	22	21B	CB4035	22	21C	CB4036
23	22A	CB4037	23	22B	CB4038	23	22C	CB4039
24	23A	CB4040	24	23B	CB4041	24	23C	CB4042
25	24A	CB4043	25	24B	CB4044	25	24C	CB4045
26	25A	CB4046	26	25B	CB4047	26	25C	CB4048
27	26A	CB4049	27	26B	CB4050	27	26C	CB4051
28	27A	CB4052	28	27B	CB4053	28	27C	CB4054
29	28A	CB4055	29	28B	CB4056	29	28C	CB4057
30	29A	CB4058	30	29B	CB4059	30	29C	CB4060
31	30A	CB4061	31	30B	CB4062	31	30C	CB4063
32	31A	CB4064	32	31B	CB4065	32	31C	CB4066
33	32A	CB4067	33	32B	CB4068	33	32C	CB4069
34	33A	CB4070	34	33B	CB4071	34	33C	CB4072
35	34A	CB4073	35	34B	CB4074	35	34C	CB4075
36	35A	CB4076	36	35B	CB4077	36	35C	CB4078
37	36A	CB4079	37	36B	CB4080	37	36C	CB4081
38	37A	CB4082	38	37B	CB4083	38	37C	CB4084

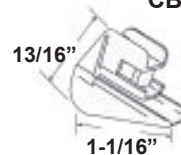
**Balance Accessories**

Top Bracket

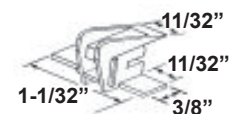


**Bottom Brackets**

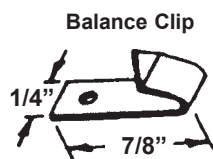
CB9042



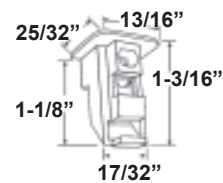
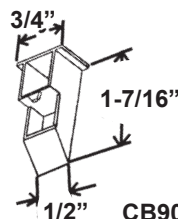
CB9316

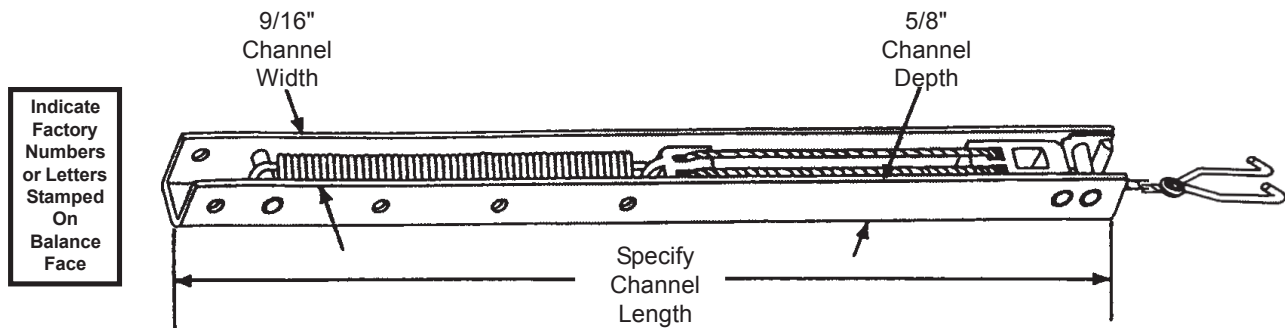


Sash Guides



Rivet

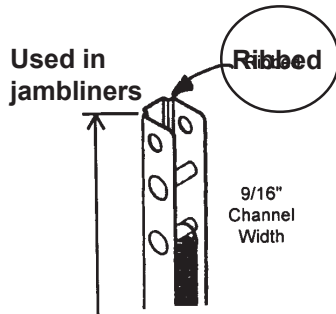
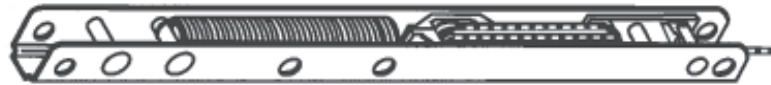




**Ordering Information:**

1. Measure metal channel length .
2. Locate number stamped on balance (e.g., 1410, 2510, 26A, etc. . .)
3. Refer to chart, below, to locate the proper balance which corresponds to the numbers.

Length of Metal Channel	No. Stamped On Bal.	Blaine Part Number	No. Stamped On Bal.	Blaine Part Number	No. Stamped On Bal.	Blaine Part Number	No. Stamped On Bal.	Blaine Part Number
13	1210 or 13A	CB5001-13A-040	1220 or 13B	CB5001-13B-040	1230 or 13C	CB5002-13C-040	1240 or 13D	CB5002-13D-040
14	1310 or 14A	CB5003-14A-040	1320 or 14B	CB5004-14B-040	1330 or 14C	CB5004-14C-040	1340 or 14D	CB5004-14D-040
15	1410 or 15A	CB5005-15A-040	1420 or 15B	CB5006-15B-040	1430 or 15C	CB5006-15C-040	1440 or 15D	CB5006-15D-040
16	1510 or 16A	CB5007-16A-040	1520 or 16B	CB5008-16B-040	1530 or 16C	CB5008-16C-040	1540 or 16D	CB5008-16D-040
17	1610 or 17A	CB5009-17A-040	1620 or 17B	CB5010-17B-040	1630 or 17C	CB5010-17C-040	1640 or 17D	CB5010-17D-040
18	1710 or 18A	CB5011-18A-040	1720 or 18B	CB5012-18B-040	1730 or 18C	CB5012-18C-040	1740 or 18D	CB5012-18D-040
19	1810 or 19A	CB5013-19A-040	1820 or 19B	CB5014-19B-040	1830 or 19C	CB5014-19C-040	1840 or 19D	CB5014-19D-040
20	1910 or 20A	CB5015-20A-040	1920 or 20B	CB5016-20B-040	1930 or 20C	CB5016-20C-040	1940 or 20D	CB5016-20D-040
21	2010 or 21A	CB5017-21A-040	2020 or 21B	CB5018-21B-040	2030 or 21C	CB5019-21C-040	2040 or 21D	CB5019-21D-040
22	2110 or 22A	CB5020-22A-040	2120 or 22B	CB5021-22B-040	2130 or 22C	CB5021-22C-040	2140 or 22D	CB5022-22D-040
23	2210 or 23A	CB5023-23A-040	2220 or 23B	CB5024-23B-040	2230 or 23C	CB5025-23C-040	2240 or 23D	CB5025-23D-040
24	2310 or 24A	CB5026-24A-040	2320 or 24B	CB5027-24B-040	2330 or 24C	CB5028-24C-040	2340 or 24D	CB5028-24D-040
25	2410 or 25A	CB5029-25A-040	2420 or 25B	CB5030-25B-040	2430 or 25C	CB5030-25C-040	2440 or 25D	CB5031-25D-040
26	2510 or 26A	CB5032-26A-040	2520 or 26B	CB5033-26B-040	2530 or 26C	CB5034-26C-040	2540 or 26D	CB5034-26D-040
27	2610 or 27A	CB5035-27A-040	2620 or 27B	CB5036-27B-040	2630 or 27C	CB5037-27C-040	2640 or 27D	CB5037-27D-040
28	2710 or 28A	CB5038-28A-040	2720 or 28B	CB5039-28B-040	2730 or 28C	CB5040-28C-040	2740 or 28D	CB5040-28D-040
29	2810 or 29A	CB5041-29A-040	2820 or 29B	CB5042-29B-040	2830 or 29C	CB5043-29C-040	2840 or 29D	CB5043-29D-040
30	2910 or 30A	CB5044-30A-040	2920 or 30B	CB5045-30B-040	2930 or 30C	CB5046-30C-040	2940 or 30D	CB5046-30D-040
31	3010 or 31A	CB5047-31A-040	3020 or 31B	CB5048-31B-040	3030 or 31C	CB5049-31C-040	3040 or 31D	CB5049-31D-040
32	3110 or 32A	CB5050-32A-040	3120 or 32B	CB5051-32B-040	3130 or 32C	CB5052-32C-040	3140 or 32D	CB5052-32D-040
33	3210 or 33A	CB5053-33A-040	3220 or 33B	CB5054-33B-040	3230 or 33C	CB5055-33C-040	3240 or 33D	CB5055-33D-040
34	3310 or 34A	CB5056-34A-040	3320 or 34B	CB5057-34B-040	3330 or 34C	CB5058-34C-040	3340 or 34D	CB5058-34D-040
35	3410 or 35A	CB5059-35A-040	3420 or 35B	CB5060-35B-040	3430 or 35C	CB5061-35C-040	3440 or 35D	CB5061-35D-040
36	3510 or 36A	CB5062-36A-040	3520 or 36B	CB5063-36B-040	3530 or 36C	CB5064-36C-040	3540 or 36D	CB5064-36D-040
37	3610 or 37A	CB5065-37A-040	3620 or 37B	CB5066-37B-040	3630 or 37C	CB5067-37C-040	3640 or 37D	CB5067-37D-040
38	3710 or 38A	CB5068-38A-040	3720 or 38B	CB5069-38B-040	3730 or 38C	CB5070-38C-040	3740 or 38D	CB5070-38D-040
39	3810 or 39A	CB5071-39A-040	3820 or 39B	CB5072-39B-040	3830 or 39C	CB5073-39C-040	3840 or 39D	CB5073-39D-040
40	3910 or 40A	CB5074-40A-040	3920 or 40B	CB5075-40B-040	3930 or 40C	CB5076-40C-040	3940 or 40D	CB5076-40D-040
41	4010 or 41A	CB5077-41A-040	4020 or 41B	CB5078-41B-040	4030 or 41C	CB5079-41C-040	4040 or 41D	CB5079-41D-040
42	4110 or 42A	CB5080-42A-040	4120 or 42B	CB5081-42B-040	4130 or 42C	CB5082-42C-040	4140 or 42D	CB5082-42D-040
43	4210 or 43A	CB5083-43A-040	4220 or 43B	CB5084-43B-040	4230 or 43C	CB5085-43C-040	4240 or 43D	CB5085-43D-040
44	4310 or 44A	CB5086-44A-040	4320 or 44B	CB5087-44B-040	4330 or 44C	CB5088-44C-040	4340 or 44D	CB5088-44D-040



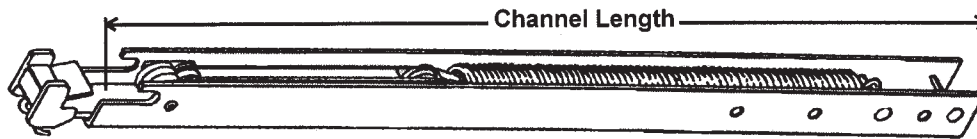
Indicate Factory Numbers or Letters Stamped On Balance Face



**CB9062**

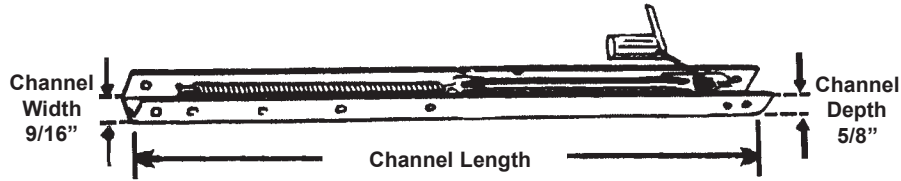
No. Stamped On Balance	Blaine Part No.	No. Stamped On Balance	Blaine Part No.	No. Stamped On Balance	Blaine Part No.	No. Stamped On Balance	Blaine Part No.
12R	CB6012-12R	22R	CB6022-22R	32R	CB6032-32R	42R	CB6042-42R
12HD	CB6012-12HD	22HD	CB6022-22HD	32HD	CB6032-32HD	42HD	CB6042-42HD
12XH	CB6012-12XH	22XH	CB6022-22XH	32XH	CB6032-32XH	42XH	CB6042-42XH
13R	CB6013-13R	23R	CB6023-23R	33R	CB6033-33R	43R	CB6043-43R
13HD	CB6013-13HD	23HD	CB6023-23HD	33HD	CB6033-33HD	43HD	CB6043-43HD
13XH	CB6013-13XH	23XH	CB6023-23XH	33XH	CB6033-33XH	43XH	CB6043-43XH
14R	CB6014-14R	24R	CB6024-24R	34R	CB6034-34R	44R	CB6044-44R
14HD	CB6014-14HD	24HD	CB6024-24HD	34HD	CB6034-34HD	44HD	CB6044-44HD
14XH	CB6014-14XH	24XH	CB6024-24XH	34XH	CB6034-34XH	44XH	CB6044-44XH
15R	CB6015-15R	25R	CB6025-25R	35R	CB6035-35R	45R	CB6045-45R
15HD	CB6015-15HD	25HD	CB6025-25HD	35HD	CB6035-35HD	45HD	CB6045-45HD
15XH	CB6015-15XH	25XH	CB6025-25XH	35XH	CB6035-35XH	45XH	CB6045-45XH
16R	CB6016-16R	26R	CB6026-26R	36R	CB6036-36R	46R	CB6046-46R
16HD	CB6016-16HD	26HD	CB6026-26HD	36HD	CB6036-36HD	46HD	CB6046-46HD
16XH	CB6016-16XH	26XH	CB6026-26XH	36XH	CB6036-36XH	46XH	CB6046-46XH
17R	CB6017-17R	27R	CB6027-27R	37R	CB6037-37R	47R	CB6047-47R
17HD	CB6017-17HD	27HD	CB6027-27HD	37HD	CB6037-37HD	47HD	CB6047-47HD
17XH	CB6017-17XH	27XH	CB6027-27XH	37XH	CB6037-37XH	47XH	CB6047-47XH
18R	CB6018-18R	28R	CB6028-28R	38R	CB6038-38R	48R	CB6048-48R
18HD	CB6018-18HD	28HD	CB6028-28HD	38HD	CB6038-38HD	48HD	CB6048-48HD
18XH	CB6018-18XH	28XH	CB6028-28XH	38XH	CB6038-38XH	48XH	CB6048-48XH
19R	CB6019-19R	29R	CB6029-29R	39R	CB6039-39R	49R	CB6049-49R
19HD	CB6019-19HD	29HD	CB6029-29HD	39HD	CB6039-39HD	49HD	CB6049-49HD
19XH	CB6019-19XH	29XH	CB6029-29XH	39XH	CB6039-39XH	49XH	CB6049-49XH
20R	CB6020-20R	30R	CB6030-30R	40R	CB6040-40R	50R	CB6050-50R
20HD	CB6020-20HD	30HD	CB6030-30HD	40HD	CB6040-40HD	50HD	CB6050-50HD
20XH	CB6020-20XH	30XH	CB6030-30XH	40XH	CB6040-40XH	50XH	CB6050-50XH
21R	CB6021-21R	31R	CB6031-31R	41R	CB6041-41R	51R	CB6051-51R
21HD	CB6021-21HD	31HD	CB6031-31HD	41HD	CB6041-41HD	51HD	CB6051-51HD
21XH	CB6021-21XH	31XH	CB6031-31XH	41XH	CB6041-41XH	51XH	CB6051-51XH

**CB7700 SERIES RUSCO Channel Balance**



BLAINE PART NO.	NO. STAMPED ON BALANCE	CHANNEL LENGTH	BLAINE PART NO.	NO. STAMPED ON BALANCE	CHANNEL LENGTH
CB7700-10A	10A - C	10-1/2"	CB7700-25C	25C	26"
CB7700-10B	10B - C	10-1/2"	CB7700-25D	25D	26"
CB7700-10D	10D - C	10-1/2"	CB7700-25S	25S	25-5/8"
CB7700-10S	10-S	10-3/16"	CB7700-26C	26C	26-1/2"
CB7700-11A	11A	11-7/8"	CB7700-26S	26S	26-25/32"
CB7700-11B	11B	11-7/8"	CB7700-27A	27A	27-7/8"
CB7700-11D	11D	11-7/8"	CB7700-27B	27B	27-7/8"
CB7700-14A	14A	14-3/8"	CB7700-27C	27C	27-7/8"
CB7700-15A	15A	15-7/8"	CB7700-27D	27D	27-7/8"
CB7700-15B	15B	15-7/8"	CB7700-27E	27E	27-7/8"
CB7700-15D	15D	15-7/8"	CB7700-27S	27S	27-15/16"
CB7700-16A	16A - C	16-11/16"	CB7700-28A	28A - C	29"
CB7700-16B	16B - C	16-11/16"	CB7700-28B	28B - C	29"
CB7700-16D	16D - C	16-11/16"	CB7700-28C	28C - C	29"
CB7700-16E	16E - C	16-11/16"	CB7700-28D	28D - C	29"
CB7700-16F	16F	16-1/8"	CB7700-28E	28E - C	29"
CB7700-16S	16S	16-13/32"	CB7700-28F	28F - C	29"
CB7700-16S-18	16S - 18	16-11/16"	CB7700-28S	28S - 28	28-9/16"
CB7700-17A	17A	18"	CB7700-31B	31B	32"
CB7700-17B	17B	18"	CB7700-31C	31C	32"
CB7700-17C	17C	18"	CB7700-31D	31D	32"
CB7700-17D	17D	18"	CB7700-31E	31E	32"
CB7700-18B	18B	18-1/4"	CB7700-33A	33A	33-7/8"
CB7700-18S	18S	18-21/32"	CB7700-33B	33B	33-7/8"
CB7700-19A	19A	19-7/8"	CB7700-33C	33C	33-7/8"
CB7700-19B	19B	19-7/8"	CB7700-33D	33D	33-7/8"
CB7700-19D	19D	19-7/8"	CB7700-33E	33E	33-7/8"
CB7700-19S	19S	19-7/8"	CB7700-35A - C	35A - C	35-7/8"
CB7700-20C	20C	20-5/8"	CB7700-35B - C	35B - C	35-7/8"
CB7700-20D	20D	20-5/8"	CB7700-35C - C	35C - C	35-7/8"
CB7700-20E	20E	20-3/4"	CB7700-35D - C	35D - C	35-7/8"
CB7700-20S	20S	20-3/8"	CB7700-35E - C	35E - C	35-7/8"
CB7700-21A	21A	21-7/8"	CB7700-39A	39A	39-7/8"
CB7700-21B	21B	21-7/8"	CB7700-39C	39C	39-7/8"
CB7700-21C	21C	21-7/8"	CB7700-39D	39D	39-7/8"
CB7700-21D	21D	21-7/8"	CB7700-39E	39E	39-7/8"
CB7700-21S	21S	21/15/16"	CB7700-42A	42A	42-7/8"
CB7700-22A	22A	22-13/16"	CB7700-42B	42B	42-7/8"
CB7700-22B	22B	22-13/16"	CB7700-42C	42C	42-7/8"
CB7700-22C	22C	22-13/16"	CB7700-42D	42D	42-7/8"
CB7700-22D	22D	22-13/16"	CB7700-42E	42E	42-7/8"
CB7700-22E	22E - C	22-13/16"			
CB7700-22F	22F	22-13/16"			
CB7700-22S	22S - 23	22-9/16"			
CB7700-23A	23A	23-7/8"			
CB7700-23B	23B	23-7/8"			
CB7700-23C	23C	23-7/8"			
CB7700-23D	23D	23-7/8"			
CB7700-23E	23E	24"			
CB7700-23F	23F	24"			
CB7700-23S	23S	23-1/16"			
CB7700-24D	24D	24-3/8"			
CB7700-24F	24F	24-3/8"			
CB7700-24S	24S	24-11/32"			
CB7700-25B	25B	26"			

**CB8300 SERIES PEACHTREE BALANCE**



Blaine Part No.	No. Stamped On Balance	Channel Length
CB8300-3036-040	3036-1	14-1/4"
CB8300-3040-040	3040-1	16-1/4"
CB8300-3048-040	3048-1	20-1/4"
CB8300-3054-040	3054-1	23-1/4"
CB8300-3060-040	3060-1	26-1/4"
CB8300-3066-040	3066-1	29-1/4"
CB8300-3072-040	3072-1	32-1/4"
CB8300-3360-040	3360-1	25-1/4"
CB8300-3372-040	3372-1	31-1/4"
CB8300-3636-040	3636-1	14-1/4"
CB8300-3640-040	3640-1	16-1/4"
CB8300-3648-040	3648-1	20-1/4"
CB8300-3654-040	3654-1	23-1/4"
CB8300-3660-040	3660-1	26-1/4"
CB8300-3672-040	3672-1	32-1/4"
CB8300-4236-040	4236-1	14-1/4"
CB8300-4240-040	4240-1	16-1/4"
CB8300-4248-040	4248-1	20-1/4"
CB8300-4254-040	4254-1	23-1/4"
CB8300-4260-040	4260-1	26-1/4"
CB8300-4266-040	4266-1	29-1/4"
CB8300-4272-040	4272-1	32-1/4"

**CB1050 Balance**

1/2" Wide x 1/2" Depth

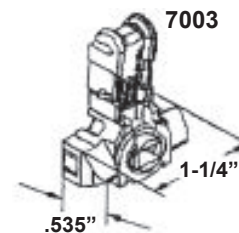
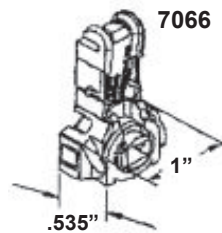
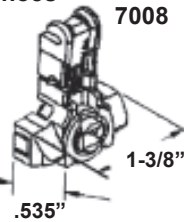
**Inverted Tilt**

Please indicate required tilt shoe and clip, shown below:

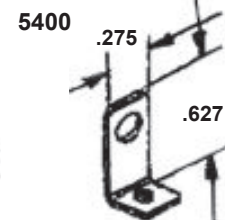
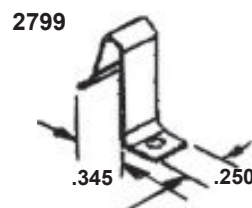
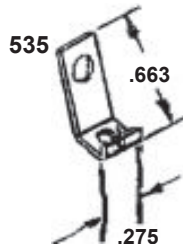
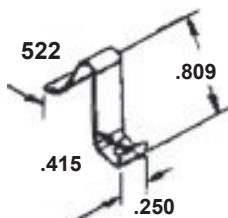
Indicate  
Factory  
Numbers  
or Letters  
Stamped  
On  
Balance  
Face



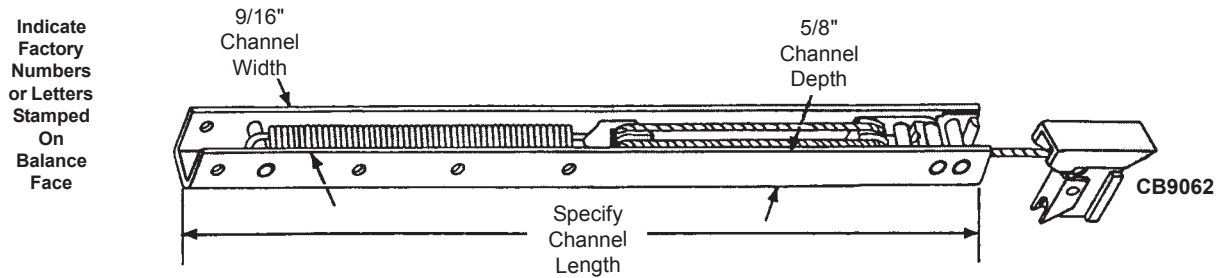
**Tilt Shoes**



**Clips**



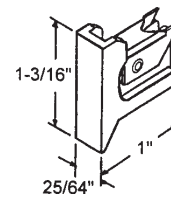
**9/16" channel width  
Non Ribbed  
(for ribbed channel - used in jamb liners - see CB 6 series)**



**Ordering Information**

1. Measure metal channel length (do not include any attached end guides).
2. Locate number stamped on balance (e.g. 1410, 2510, 26A, etc. . .)
3. Refer to chart , below, to locate the proper balance that corresponds to the numbers.

**Come with CB9062 end bracket, as shown**

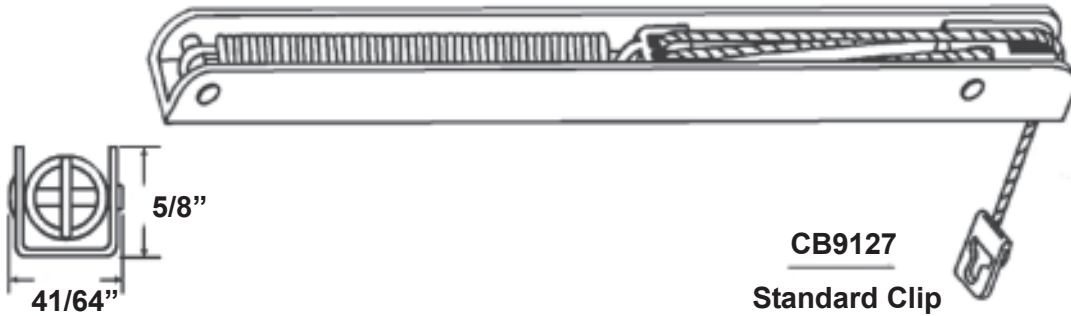


**White with metal cleat  
CB9062**

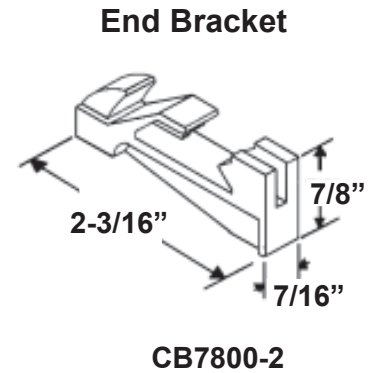
**Example**

Length of Metal Channel	No. Stamped on Balance	Blaine Part No.
19	1810	CB2018

Length of Metal Channel	No. Stamped On Bal.	Blaine Part Number	No. Stamped On Bal.	Blaine Part Number	No. Stamped On Bal.	Blaine Part Number	No. Stamped On Bal.	Blaine Part Number
13	1210 or 13A	CB2001-040	1220 or 13B	CB2001-13B	1230 or 13C	CB2001-13C	1240 or 13D	CB2002-040
14	1310 or 14A	CB2003-040	1320 or 14B	CB2004-040	1330 or 14C	CB2004-14C	1340 or 14D	CB2005-040
15	1410 or 15A	CB2006-040	1420 or 15B	CB2007-040	1430 or 15C	CB2007-15C	1440 or 15D	CB2008-040
16	1510 or 16A	CB2009-040	1520 or 16B	CB2010-040	1530 or 16C	CB2010-16C	1540 or 16D	CB2011-040
17	1610 or 17A	CB2012-040	1620 or 17B	CB2013-040	1630 or 17C	CB2013-17C	1640 or 17D	CB2014-040
18	1710 or 18A	CB2015-040	1720 or 18B	CB2016-040	1730 or 18C	CB2016-18C	1740 or 18D	CB2017-040
19	1810 or 19A	CB2018-040	1820 or 19B	CB2019-040	1830 or 19C	CB2019-19C	1840 or 19D	CB2020-040
20	1910 or 20A	CB2021-040	1920 or 20B	CB2022-040	1930 or 20C	CB2022-20C	1940 or 20D	CB2024-040
21	2010 or 21A	CB2025-040	2020 or 21B	CB2026-040	2030 or 21C	CB2027-040	2040 or 21D	CB2028-040
22	2110 or 22A	CB2029-040	2120 or 22B	CB2030-040	2130 or 22C	CB2031-040	2140 or 22D	CB2032-040
23	2210 or 23A	CB2033-040	2220 or 23B	CB2034-040	2230 or 23C	CB2035-040	2240 or 23D	CB2036-040
24	2310 or 24A	CB2037-040	2320 or 24B	CB2038-040	2330 or 24C	CB2039-040	2340 or 24D	CB2040-040
25	2410 or 25A	CB2041-040	2420 or 25B	CB2042-040	2430 or 25C	CB2043-040	2440 or 25D	CB2044-040
26	2510 or 26A	CB2045-040	2520 or 26B	CB2046-040	2530 or 26C	CB2047-040	2540 or 26D	CB2048-040
27	2610 or 27A	CB2049-040	2620 or 27B	CB2050-040	2630 or 27C	CB2051-040	2640 or 27D	CB2052-040
28	2710 or 28A	CB2053-040	2720 or 28B	CB2054-040	2730 or 28C	CB2055-040	2740 or 28D	CB2056-040
29	2810 or 29A	CB2057-040	2820 or 29B	CB2058-040	2830 or 29C	CB2059-040	2840 or 29D	CB2060-040
30	2910 or 30A	CB2061-040	2920 or 30B	CB2062-040	2930 or 30C	CB2063-040	2940 or 30D	CB2064-040
31	3010 or 31A	CB2065-040	3020 or 31B	CB2066-040	3030 or 31C	CB2067-040	3040 or 31D	CB2068-040
32	3110 or 32A	CB2069-040	3120 or 32B	CB2070-040	3130 or 32C	CB2071-040	3140 or 32D	CB2072-040
33	3210 or 33A	CB2073-040	3220 or 33B	CB2074-040	3230 or 33C	CB2075-040	3240 or 33D	CB2076-040
34	3310 or 34A	CB2077-040	3320 or 34B	CB2078-040	3330 or 34C	CB2079-040	3340 or 34D	CB2080-040
35	3410 or 35A	CB2081-040	3420 or 35B	CB2082-040	3430 or 35C	CB2083-040	3440 or 35D	CB2084-040
36	3510 or 36A	CB2085-040	3520 or 36B	CB2086-040	3530 or 36C	CB2087-040	3540 or 36D	CB2088-040
37	3610 or 37A	CB2089-040	3620 or 37B	CB2090-040	3630 or 37C	CB2091-040	3640 or 37D	CB2092-040
38	3710 or 38A	CB2093-040	3720 or 38B	CB2094-040	3730 or 38C	CB2095-040	3740 or 38D	CB2096-040
39	3810 or 39A	CB2097-040	3820 or 39B	CB2098-040	3830 or 39C	CB2098-39C	3840 or 39D	CB2098-39D
40	3910 or 40A	CB2098-40A	3920 or 40B	CB2098-40B	3930 or 40C	CB2098-40C	3940 or 40D	CB2098-40D
41	4010 or 41A	CB2098-41A	4020 or 41B	CB2098-41B	4030 or 41C	CB2098-41C	4040 or 41D	CB2098-41D
42	4110 or 42A	CB2098-42A	4120 or 42B	CB2098-42B	4130 or 42C	CB2098-42C	4140 or 42D	CB2098-42D
43	4210 or 43A	CB2098-43A	4220 or 43B	CB2098-43B	4230 or 43C	CB2098-43C	4240 or 43D	CB2098-43D
44	4310 or 44A	CB2098-44A	4320 or 44B	CB2098-44B	4330 or 44C	CB2099-040	4340 or 44D	CB2098-44D



Blaine Part No.	No. Stamped on Balance	Length of Channel	Std. Cord Length From Balance*	Std. Wt/ Pair
CB1010-111-040	111	12-3/4"	20"	4 - 7 lbs
CB1010-112-040	112	12-3/4"	20"	7 - 11 lbs
CB1010-121-040	121	15-1/4"	25"	4 - 8 lbs
CB1010-122-040	122	15-1/4"	25"	8 - 12 lbs
CB1010-151-040	151	19-1/4"	33"	5 - 9 lbs
CB1010-152-040	152	19-1/4"	33"	9 - 13 lbs
CB1010-153-040	153	19-1/4"	33"	13 - 16 lbs
CB1010-162-040	162	23-1/4"	36"	9 - 14 lbs
CB1010-163-040	163	23-1/4"	36"	13 - 16 lbs
CB1010-163HD-040	163HD	23-1/4"	36"	15 - 17 lbs
CB1010-183-040	183	27-1/4"	40"	17 - 20 lbs
CB1010-183HD-040	183HD	27-1/4"	40"	24 - 27 lbs



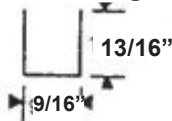
\*Note: If cord lengths are different from the standard lengths shown, a plus sign (+) and the extra number of inches should be added after the part number.

Ordering Information

1. Measure metal channel length.
2. Identify number stamped on balance.
3. Select our corresponding part number from the chart, above and order accordingly.
4. Standard clip will be attached unless otherwise specified.



Channel Height



Channel Width

9/16" X 13/16"



Old style is slotted.  
New style is not.



Bottom View

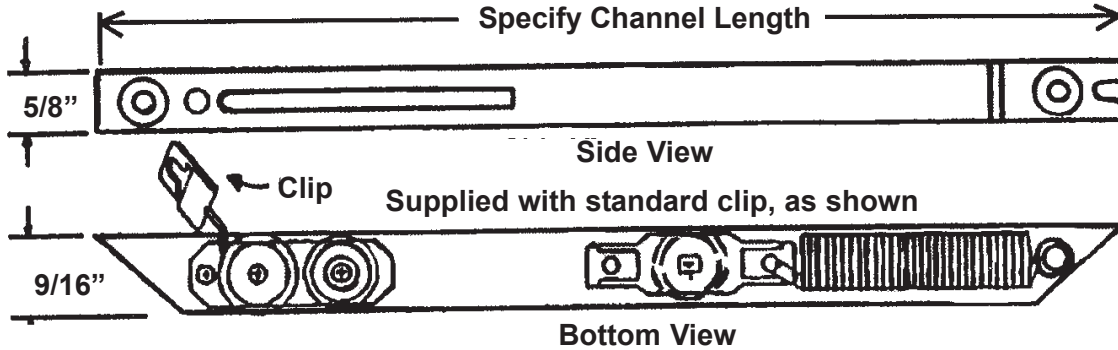
**CB1100 "A" Type**

Glass Height	Length of Channel	Balance No.	Sash Wt/ Pair	Std. Cord Lngth	Blaine Part No.
12"	13-1/2"	101	5 - 7 lbs	31"	CB1100-101-040
12"	13-1/2"	102	7 - 11 lbs	31"	CB1100-102-040
14"	15-1/2"	111	5 - 8 lbs	33"	CB1100-111-040
14"	15-1/2"	112	8 - 11 lbs	33"	CB1100-112-040
16"	17-1/2"	121	5 - 9 lbs	35"	CB1100-121-040
16"	17-1/2"	122	9 - 12 lbs	35"	CB1100-122-040
18"	19-1/2"	131	5 - 9 lbs	37"	CB1100-131-040
18"	19-1/2"	132	9 - 13 lbs	37"	CB1100-132-040
20"	21-1/2"	141	5 - 9 lbs	39"	CB1100-141-040
20"	21-1/2"	142	9 - 12 lbs	39"	CB1100-142-040
20"	21-1/2"	143	12 - 14 lbs	39"	CB1100-143-040
22"	23-1/2"	151	6 - 10 lbs	41"	CB1100-151-040
22"	23-1/2"	152	10 - 12 lbs	41"	CB1100-152-040
22"	23-1/2"	153	12 - 15 lbs	41"	CB1100-153-040
24"	25-1/2"	161	6 - 10 lbs	43"	CB1100-161-040
24"	25-1/2"	162	10 - 14 lbs	43"	CB1100-162-040
24"	25-1/2"	163	14 - 18 lbs	43"	CB1100-163-040
26"	27-1/2"	171	6 - 10 lbs	45"	CB1100-171-040
26"	27-1/2"	172	10 - 14 lbs	45"	CB1100-172-040
26"	27-1/2"	173	14 - 18 lbs	45"	CB1100-173-040
28"	29-1/2"	181	7 - 12 lbs	47"	CB1100-181-040
28"	29-1/2"	182	12 - 16 lbs	47"	CB1100-182-040
28"	29-1/2"	183	16 - 20 lbs	47"	CB1100-183-040
30"	31-1/2"	191	7 - 12 lbs	49"	CB1100-191-040
30"	31-1/2"	192	12 - 16 lbs	49"	CB1100-192-040
30"	31-1/2"	193	16 - 20 lbs	49"	CB1100-193-040
32"	33-1/2"	201	8 - 14 lbs	51"	CB1100-201-040
32"	33-1/2"	202	14 - 18 lbs	51"	CB1100-202-040
32"	33-1/2"	203	18 - 22 lbs	51"	CB1100-203-040
34"	35-1/2"	211	8 - 14 lbs	53"	CB1100-211-040
34"	35-1/2"	212	14 - 18 lbs	53"	CB1100-212-040
34"	35-1/2"	213	18 - 22 lbs	53"	CB1100-213-040
36"	37-1/2"	221	8 - 15 lbs	55"	CB1100-221-040
36"	37-1/2"	222	15 - 20 lbs	55"	CB1100-222-040
36"	37-1/2"	223	20 - 24 lbs	55"	CB1100-223-040
38"	37-1/2"	231	8 - 15 lbs	57"	CB1100-231-040
38"	37-1/2"	232	15 - 20 lbs	57"	CB1100-232-040
38"	37-1/2"	233	20 - 24 lbs	57"	CB1100-233-040
40"	37-1/2"	241	8 - 15 lbs	59"	CB1100-241-040
40"	37-1/2"	242	15 - 20 lbs	59"	CB1100-242-040
40"	37-1/2"	243	20 - 24 lbs	59"	CB1100-243-040
42"	37-1/2"	251	8 - 15 lbs	61"	CB1100-251-040
42"	37-1/2"	252	15 - 20 lbs	61"	CB1100-252-040
42"	37-1/2"	253	20 - 24 lbs	61"	CB1100-253-040

**CB1150 "AX" Type**

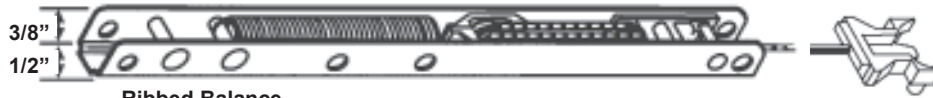
Glass Height	Length of Channel	Balance No.	Sash Wt/ Pair	Std. Cord Length	Blaine Part No.
12"	13-1/2"	101AX	11 - 16 lb	31"	CB1150-AX101-050
12"	13-1/2"	102AX	16 - 24 lb	31"	CB1150-AX102-050
14"	15-1/2"	111AX	11 - 16 lb	33"	CB1150-AX111-050
14"	15-1/2"	112AX	16 - 25 lb	33"	CB1150-AX112-050
16"	17-1/2"	121AX	12 - 19 lb	35"	CB1150-AX121-050
16"	17-1/2"	122AX	19 - 26 lb	35"	CB1150-AX122-050
18"	19-1/2"	131AX	13 - 19 lb	37"	CB1150-AX131-050
18"	19-1/2"	132AX	19 - 26 lb	37"	CB1150-AX132-050
20"	21-1/2"	141AX	14 - 20 lb	39"	CB1150-AX141-050
20"	21-1/2"	142AX	20 - 26 lb	39"	CB1150-AX142-050
20"	21-1/2"	143AX	26 - 30 lb	39"	CB1150-AX143-050
22"	23-1/2"	151AX	15 - 20 lb	41"	CB1150-AX151-050
22"	23-1/2"	152AX	20 - 26 lb	41"	CB1150-AX152-050
22"	23-1/2"	153AX	26 - 32 lb	41"	CB1150-AX153-050
24"	25-1/2"	161AX	18 - 23 lb	43"	CB1150-AX161-050
24"	25-1/2"	162AX	23 - 28 lb	43"	CB1150-AX162-050
24"	25-1/2"	163AX	28 - 34 lb	43"	CB1150-AX163-050
24"	25-1/2"	164AX	34 - 38 lb	43"	CB1150-AX164-050
26"	27-1/2"	171AX	18 - 23 lb	45"	CB1150-AX171-050
26"	27-1/2"	172AX	23 - 28 lb	45"	CB1150-AX172-050
26"	27-1/2"	173AX	28 - 34 lb	45"	CB1150-AX173-050
26"	27-1/2"	174AX	34 - 38 lb	45"	CB1150-AX174-050
28"	29-1/2"	181AX	20 - 25 lb	47"	CB1150-AX181-050
28"	29-1/2"	182AX	25 - 32 lb	47"	CB1150-AX182-050
28"	29-1/2"	183AX	32 - 38 lb	47"	CB1150-AX183-050
28"	29-1/2"	184AX	38 - 42 lb	47"	CB1150-AX184-050
30"	31-1/2"	191AX	20 - 25 lb	49"	CB1150-AX191-050
30"	31-1/2"	192AX	25 - 32 lb	49"	CB1150-AX192-050
30"	31-1/2"	193AX	32 - 38 lb	49"	CB1150-AX193-050
30"	31-1/2"	194AX	38 - 42 lb	49"	CB1150-AX194-050
32"	33-1/2"	201AX	22 - 28 lb	51"	CB1150-AX201-050
32"	33-1/2"	202AX	28 - 34 lb	51"	CB1150-AX202-050
32"	33-1/2"	203AX	34 - 40 lb	51"	CB1150-AX203-050
32"	33-1/2"	204AX	40 - 44 lb	51"	CB1150-AX204-050
34"	35-1/2"	211AX	24 - 30 lb	53"	CB1150-AX211-050
34"	35-1/2"	212AX	30 - 36 lb	53"	CB1150-AX212-050
34"	35-1/2"	213AX	36 - 42 lb	53"	CB1150-AX213-050
34"	35-1/2"	214AX	42 - 48 lb	53"	CB1150-AX214-050
36"	37-1/2"	221AX	24 - 30 lb	55"	CB1150-AX221-050
36"	37-1/2"	222AX	30 - 36 lb	55"	CB1150-AX222-050
36"	37-1/2"	223AX	36 - 42 lb	55"	CB1150-AX223-050
36"	37-1/2"	224AX	42 - 48 lb	55"	CB1150-AX224-050
38"	37-1/2"	231AX	24 - 30 lb	57"	CB1150-AX231-050
38"	37-1/2"	232AX	30 - 36 lb	57"	CB1150-AX232-050
38"	37-1/2"	233AX	36 - 42 lb	57"	CB1150-AX233-050
38"	37-1/2"	234AX	42 - 48 lb	57"	CB1150-AX234-050
40"	37-1/2"	241AX	24 - 30 lb	59"	CB1150-AX241-050
40"	37-1/2"	242AX	30 - 36 lb	59"	CB1150-AX242-050
40"	37-1/2"	243AX	36 - 42 lb	59"	CB1150-AX243-050
40"	37-1/2"	244AX	42 - 48 lb	59"	CB1150-AX244-050
42"	37-1/2"	251AX	24 - 30 lb	61"	CB1150-AX251-050
42"	37-1/2"	252AX	30 - 36 lb	61"	CB1150-AX252-050
42"	37-1/2"	253AX	36 - 42 lb	61"	CB1150-AX253-050
42"	37-1/2"	254AX	42 - 48 lb	61"	CB1150-AX254-050

**CB1200 Series Bantam  
Overhead Balance**



Blaine Part No.	No. Stamped On Balance	Channel Length	Sash Wt. Lbs
CB1200-101-040	101B	12-1/2"	5 - 7
CB1200-102-040	102B	12-1/2"	7 - 11
CB1200-102HD-040	102BHD	12-1/2"	11 - 13
CB1200-111-040	111B	14-1/2"	5 - 8
CB1200-112-040	112B	14-1/2"	8 - 11
CB1200-112HD-040	112BHD	14-1/2"	11 - 16
CB1200-121-040	121B	16-1/2"	5 - 9
CB1200-122-040	122B	16-1/2"	9 - 12
CB1200-122HD-040	122BHD	16-1/2"	12 - 16
CB1200-141-040	141B	20-1/2"	5 - 9
CB1200-142-040	142B	20-1/2"	9 - 12
CB1200-143-040	143B	20-1/2"	12 - 14
CB1200-142HD-040	142BHD	20-1/2"	14 - 20
CB1200-161-040	161B	24-1/2"	6 - 10
CB1200-162-040	162B	24-1/2"	10 - 14
CB1200-163-040	163B	24-1/2"	14 - 16
CB1200-163HD-040	163BHD	24-1/2"	18 - 24
CB1200-181-040	181B	28-1/2"	7 - 12
CB1200-182-040	182B	28-1/2"	12 - 16
CB1200-183-040	183B	28-1/2"	16 - 20
CB1200-183HD-040	183BHD	28-1/2"	20 - 30
CB1200-201-040	201B	32-1/2"	8 - 14
CB1200-202-040	202B	32-1/2"	14 - 18
CB1200-203-040	203B	32-1/2"	18 - 22
CB1200-203HD-040	203BHD	32-1/2"	22 - 30
CB1200-221-040	221B	36-1/2"	8 - 15
CB1200-222-040	222B	36-1/2"	15 - 20
CB1200-223-040	223B	36-1/2"	20 - 24
CB1200-223HD-040	223BHD	36-1/2"	24 - 34

**1/2" RIBBED CHANNEL BALANCE FOR JAMBLINERS**

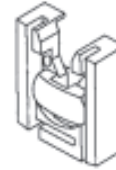


Ribbed Balance

CB9295 comes standard



End view of channel shape of ribbed balances.



CB9278 Sold separately

**Ordering Information**

1. Measure metal channel length. Do not include any attached ends.
2. Check number stamped on channel (e.g., 16, 16HD, 16TG, etc. . .)
3. Select our corresponding part numbers from the chart below.

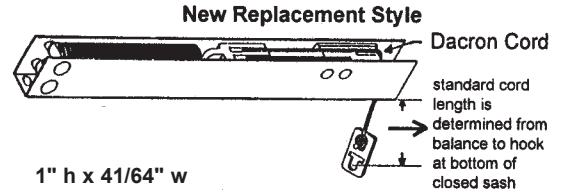
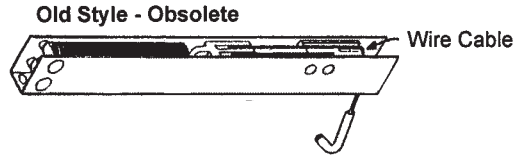
**General Instructions**

1. In order to remove balances, you must remove all window trim and remove sash along with jambliners. Balances can then be slid out of jambliner sleeve, once parts are moved to the release position. Please note that forcing balances out of jambliner pocket will most likely destroy vinyl extrusion.
2. Balances can be special ordered in beige or white finishes. Contact Customer Service for assistance.

Standard is aluminum

Length of Metal Channel	No. Stamped On Bal.	Blaine Part Number	Length of Metal Channel	No. Stamped On Bal.	Blaine Part Number
13"	12 or 12R	CB7412Reg-040	30"	29 or 29R	CB7429Reg-040
13	12HD	CB7412HD-040	30"	29HD	CB7429HD-040
14"	13 or 13R	CB7413Reg-040	30"	29TG or 29XHD	CB7429XH-040
14"	13HD	CB7413HD-040	31"	30 or 30R	CB7430Reg-040
15"	14 or 14R	CB7414Reg-040	31"	30HD	CB7430HD-040
15"	14HD	CB7414HD-040	31"	30TG or 30XHD	CB7430XH-040
16"	15 or 15R	CB7415Reg-040	32"	31 or 31R	CB7431Reg-040
16"	15HD	CB7415HD-040	32"	31HD	CB7431HD-040
17"	16 or 16R	CB7416Reg-040	32"	31TG or 31XHD	CB7431XH-040
17"	16HD	CB7416HD-040	33"	32 OR 32R	CB7432Reg-040
18"	17 or 17R	CB7417Reg-040	33"	32HD	CB7432HD-040
18"	17HD	CB7417HD-040	33"	32TG OR 32XHD	CB7432XH-040
19"	18 or 18R	CB7418Reg-040	34"	33 OR 33R	CB7433Reg-040
19"	18HD	CB7418HD-040	34"	33HD	CB7433HD-040
20"	19 or 19R	CB7419Reg-040	34"	33TG OR 33XHD	CB7433XH-040
20"	19HD	CB7419HD-040	35"	34 OR 34R	CB7434Reg-040
21"	20 or 20R	CB7420Reg-040	35"	34HD	CB7434HD-040
21"	20HD	CB7420HD-040	35"	34TG OR 34XHD	CB7434XH-040
21"	20TG or 20XHD	CB7420XH-040	36"	35 OR 35R	CB7435Reg-040
22"	21 or 21R	CB7421Reg-040	36"	35HD	CB7435HD-040
22"	21HD	CB7421HD-040	36"	35TG OR 35XHD	CB7435XH-040
22"	21TG or 21XHD	CB7421XH-040	37"	36 OR 36R	CB7436Reg-040
23"	22 or 22R	CB7422Reg-040	37"	36HD	CB7436HD-040
23"	22 HD	CB7422HD-040	37"	36TG OR 36XHD	CB7436XH-040
23"	22TG or 22XHD	CB7422XH-040	38"	37 OR 37R	CB7437Reg-040
24"	23 or 23R	CB7423Reg-040	38"	37HD	CB7437HD-040
24"	23HD	CB7423HD-040	38"	37TG OR 37XHD	CB7437XH-040
24"	23TG or 23XHD	CB7423XH-040	39"	38 OR 38R	CB7438Reg-040
25"	24 or 24R	CB7424Reg-040	39"	38HD	CB7438HD-040
25"	24HD	CB7424HD-040	39"	38TG OR 38XHD	CB7438XH-040
25"	24TG or 24XHD	CB7424XH-040	40"	39 OR 39R	CB7439Reg-040
26"	25 or 25R	CB7425Reg-040	40"	39HD	CN7439HD-040
26"	25HD	CB7425HD-040	40"	39TG OR 39XHD	CB7439XH-040
26"	25TG or 25XHD	CB7425XH-040	41"	40 OR 40R	CB7440Reg-040
27"	26 or 26R	CB7426Reg-040	41"	40HD	CB7440HD-040
27"	26HD	CB7426HD-040	41"	40TG OR 40XHD	CB7440XH-040
27"	26TG or 26XHD	CB7426XH-040	42"	41 OR 41R	CB7441Reg-040
28"	27 or 27R	CB7427Reg-040	42"	41HD	CB7441HD-040
28"	27HD	CB7427HD-040	42"	41TG OR 41XHD	CB7441XH-040
28"	27TG or 27XHD	CB7427XH-040	43"	42 OR 42R	CB7442Reg-040
29"	28 or 28R	CB7428Reg-040	43"	42HD	CB7442HD-040
29"	28HD	CB7428HD-040	43"	42TG OR 42XHD	CB7442XH-040
29"	28TG or 28XHD	CB7428XH-040			

**CB8200 Series Overhead Balance**

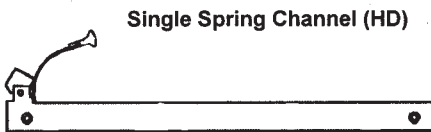


BLAINE PART NO.	NO. STAMPED ON BALANCE	CHANNEL LENGTH	STD CORD LENGTH FROM BALANCE	SASH WEIGHT (2) BALANCES
CB8200-112-040	112	13-1/4"	20"	4 - 10
CB8200-112D-040	112D	13-1/4"	20"	10 - 18
CB8200-122-040	122	16-1/4"	25"	6 - 12
CB8200-122D-040	122D	16-1/4"	25"	12 - 22
CB8200-153-040	153	19-3/4"	30"	8 - 16
CB8200-153D-040	153D	19-3/4"	30"	16 - 28
CB8200-163-040	163	23-3/4"	36"	10 - 18
CB8200-163D-040	163D	23-3/4"	36"	18 - 32
CB8200-183-040	183	28-1/4"	40"	10 - 16
CB8200-183D-040	183D	28-1/4"	40"	16 - 34

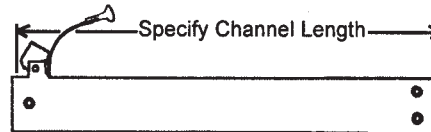
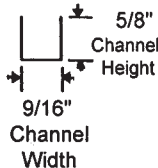
CB9097-1 Bracket



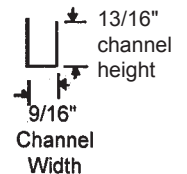
**CB8900 SERIES DEVAC OVERHEAD BALANCE**



works with CB9097-1 bracket, shown above



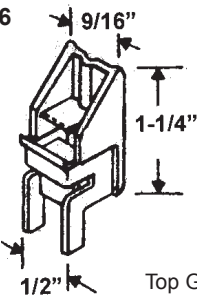
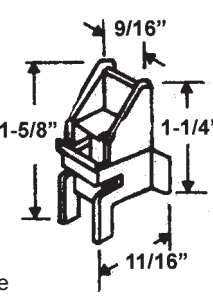
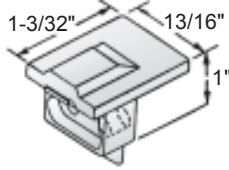
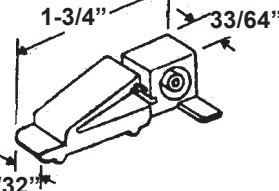
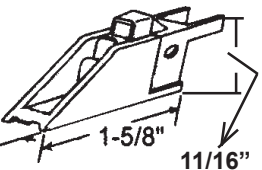
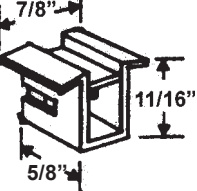
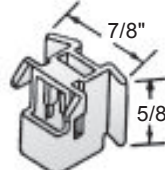
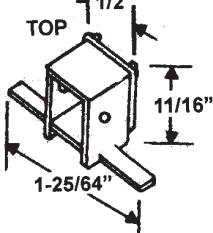
Now with Dacron cord. Original steel cable with copper hook is no longer produced.



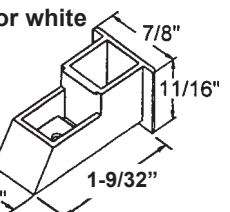
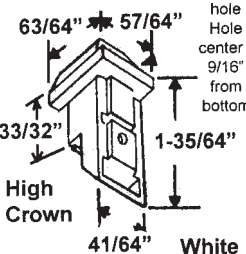
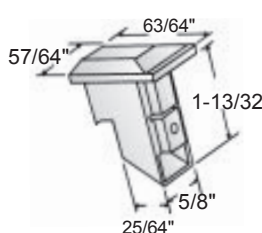
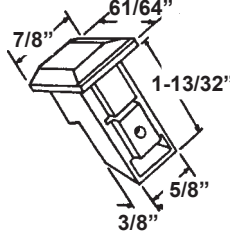
BLAINE PART NO.	OLD NO. ON BALANCE	NEW NO. ON BALANCE	CHANNEL LENGTH	STD CORD LENGTH FROM BALANCE
CB8900-1210HD	111	1210HD	13"	31"
CB8900-1220HD	112	1220HD	13"	31"
CB8900-112D	112-D	112D	13-1/4"	36"
CB8900-1510HD	121	1510HD	16"	37"
CB8900-1520HD	122	1520HD	16"	37"
CB8900-122D	122-D	122-D	16-1/4"	42"
CB8900-1910HD	151	1910HD	20"	41"
CB8900-1920HD	152	1920HD	20"	41"
CB8900-1930HD	153	1930HD	20"	41"
CB8900-153D	153-D	153-D	19-3/4"	47"
CB8900-2320HD	162	2320HD	24"	47"
CB8900-2330HD	163	2330HD	24"	47"
CB8900-163D	163-D	163-D	23-3/4"	53"
CB8900-2730HD	183	2730HD	28"	50"
CB8900-183D	183-D	183-D	28-1/4"	58"

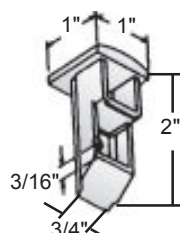
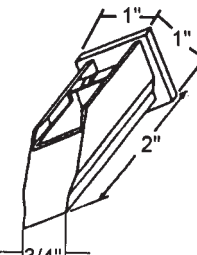
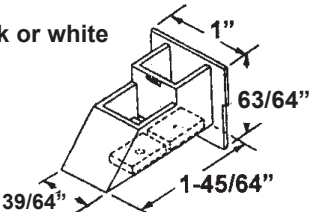
Standard cord length is determined from balance to hook at bottom of closed sash.

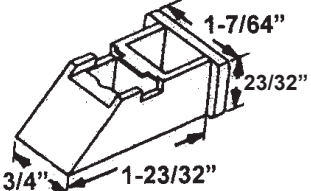
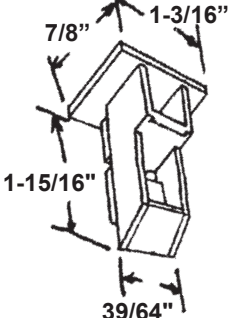
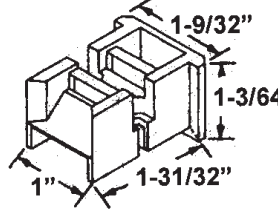
**TOP GUIDES**

<p><b>CB9006</b> White</p>  <p>Top Guide</p>	<p><b>CB9007</b> White</p>  <p>Top Guide</p>	<p><b>CB9269</b> White</p>  <p>Top Guide</p>	<p><b>CB9250</b> Top Guide White</p> 
<p><b>CB9085</b> White</p>  <p>Top Guide</p>	<p><b>CB9001-1</b> Capitol White</p>  <p>Top Guide</p>	<p><b>CB9268-A</b> Top Guide Black or white</p> 	<p><b>CB9088</b> Black or white</p>  <p>TOP</p>

**SASH CAMS**

<p><b>CB9012</b> Black or white</p> 	<p><b>CB9030</b> White</p>  <p>160 dia. hole Hole center - 9/16" from bottom</p> <p>High Crown</p>	<p><b>CB9031</b> White</p> 	<p><b>CB9033</b> White</p> 
----------------------------------------------------------------------------------------------------------------------------	----------------------------------------------------------------------------------------------------------------------------------------------------------------------------------------------	--------------------------------------------------------------------------------------------------------------------	---------------------------------------------------------------------------------------------------------------------

<p><b>CB9067</b> Black or white</p> 	<p><b>CB9087</b> Black or white</p> 	<p><b>CB9312</b> Black or white</p> 
-----------------------------------------------------------------------------------------------------------------------------	-----------------------------------------------------------------------------------------------------------------------------	-------------------------------------------------------------------------------------------------------------------------------

<p><b>CB9252-Spec</b> White</p> 	<p><b>CB9264</b> Black or white</p> 	<p><b>CB9308</b> Black or white</p> 
-------------------------------------------------------------------------------------------------------------------------	-----------------------------------------------------------------------------------------------------------------------------	-------------------------------------------------------------------------------------------------------------------------------

**SASH CAMS**

<p><b>CB9304-L/R</b> Black</p>	<p><b>CB9035</b> White</p>	<p><b>CB9077</b> white nylon</p>	<p><b>CB9341</b> White</p>
<p><b>CB9096</b></p> <p>Black or white</p>	<p><b>CB9065</b></p> <p>Black or white</p>	<p><b>CB9340</b></p> <p>Black</p>	<p><b>CB9091</b></p> <p>Black or white</p>
<p><b>CB9078</b> Black</p>	<p><b>CB9433-L/R</b> Black</p>		<p><b>CB9068</b> White Nylon Sash Cam</p>
<p><b>CB9098</b> Fiberlux Black, brown or white</p>	<p><b>CB9265</b> Black or white</p>	<p><b>CB9290-L/R</b> RH &amp; LH Set</p>	<p><b>CB9289-L/R</b> RH &amp; LH Set Black</p>
<p><b>CB9309</b> Black</p>	<p><b>CB9269</b> Black or white</p>	<p><b>CB9329</b> Black or White</p>	<p><b>CB9375</b> Black or White Sold L/R Pair</p>

**SASH CAMS**

<p><b>CB9397</b></p> <p>White</p>	<p><b>CB9011</b></p> <p>White</p>	<p><b>CB9335</b></p> <p>White</p>	<p><b>CB9018</b></p> <p>Black &amp; White</p>
<p><b>CB9338</b></p>	<p><b>CB9398</b></p> <p>White</p>	<p><b>CB9255</b></p> <p>Black or White</p>	<p><b>CB9274</b></p> <p>Black</p> <p><b>EFCO CAM</b></p>
<p><b>CB9266</b></p> <p>Rollyson</p> <p>Black or White</p>	<p><b>CB9257</b></p> <p>Aluminum</p>	<p><b>CB9276</b></p> <p>Aluminum</p>	<p><b>CB9395</b></p> <p>White</p> <p>King</p>

**MISCELLANEOUS**

<p><b>CB9394</b></p> <p>Used when no rivet tool is available or if parts are stocked without ends attached.</p>	<p><b>CB9010</b></p> <p>Steel</p>	<p><b>CB9013</b></p> <p>Steel</p>	<p><b>CB9353</b></p> <p>Aluminum</p> <p>Sponge Rubber</p>
<p><b>CB9348</b></p> <p>White</p> <p>Felt</p>	<p><b>CB9256</b></p> <p>Louisiana Pacific</p> <p>White or Black</p> <p>3 Piece</p>	<p><b>CB9256-F</b></p> <p>Flip Latch</p> <p>Cast Metal</p>	



<p><b>CB9046</b></p> <p>White</p> <p>TOP</p> <p>BOTTOM</p>	<p><b>CB9291</b></p> <p>White</p> <p>TOP</p>	<p><b>CB9021</b></p> <p>Includes two(2) of each parts shown, plus two (2) screws</p>	
<p><b>CB9268-A</b></p> <p>TOP</p> <p>Black or white</p>	<p><b>CB9268-B</b></p> <p>Original in clear plastic</p> <p>TOP</p> <p>BOTTOM</p> <p>Black or white</p>	<p>White</p>	
<p><b>CB9048</b></p> <p>White</p> <p>TOP</p> <p>BOTTOM</p> <p>This pc. also sold separately as</p>	<p>Top &amp; Bottom guide</p>	<p><b>CB9028-Assy</b></p> <p>White</p> <p>Top</p>	<p><b>CB9056</b></p> <p>White</p> <p>Bottom</p>
<p><b>CB9049</b></p>	<p><b>BOTTOM GUIDES</b></p>		
<p><b>CB9002</b></p> <p>White</p> <p>BOTTOM</p>	<p><b>CB9003</b></p> <p>White</p> <p>BOTTOM</p>	<p><b>CB9004</b></p> <p>White</p>	<p><b>CB9023</b></p> <p>White</p> <p>BOTTOM</p>
<p><b>CB9005</b></p> <p>White</p>	<p><b>CB9014</b></p> <p>White</p> <p>Bottom Guide</p>	<p><b>CB9015</b></p> <p>White</p>	<p><b>CB9019</b></p> <p>White</p> <p>Bottom</p>

**CB 0 SERIES COMBINATIONS**

<p><b>CB9006</b> Top</p> <p>White</p>	<p><b>CB9003</b> Bottom</p> <p>White</p>	<p><b>CB9006</b> Top</p> <p>White</p>	<p><b>CB9004</b> Bottom</p> <p>White</p>
<p><b>CB9007</b> White</p> <p>Top</p>	<p><b>CB9005</b> Bottom</p> <p>White</p>	<p><b>CB9051-Set</b></p> <p>White</p>	
<p><b>CB9019</b></p> <p>Bottom</p> <p>White</p>	<p><b>CB9020</b></p> <p>TOP</p> <p>White</p>	<p><b>CB9001-1</b></p> <p>TOP</p> <p>White</p>	<p><b>CB9002</b></p> <p>BOTTOM</p>
<p><b>CB9025</b></p> <p>Top</p> <p>White</p>	<p><b>CB9029</b></p> <p>lida</p> <p>Bottom</p> <p>White</p>	<p><b>CB9075-B</b></p> <p>Bottom</p> <p>Usually Black</p>	<p><b>CB9075-A</b></p> <p>Top</p> <p>Black</p>
<p><b>CB9104-Top</b></p>	<p><b>CB9104-Bottom</b></p>	<p><b>CB9075</b></p>	

Top & Bottom Guide White Nylon

**CB 4 SERIES**

<p><b>CB9071</b> <b>Top Guide</b> White</p>	<p><b>CB9040</b> <b>Top Guide</b> White</p>	<p><b>CB9041</b> <b>Bottom Guide</b> White</p>	<p><b>CB9042</b> White</p>
-----------------------------------------------------	-----------------------------------------------------	--------------------------------------------------------	--------------------------------

**CB 2 SERIES**

**CB 3 SERIES**

<p><b>CB9062</b></p> <p>White with metal cleat</p>	<p><b>CB9074</b> Available in white or cast metal</p>	<p><b>CB9228</b> order CB9229 brake shoe / pawl</p> <p>White</p>	<p><b>CB9083-L/R</b> White</p> <p>Left/Right Handed - Pair</p>
----------------------------------------------------	-----------------------------------------------------------	------------------------------------------------------------------	----------------------------------------------------------------

<p><b>CB9270</b></p> <p>L/R Pair</p>	<p><b>CB9270-1</b> Die Cast Metal</p> <p>order CB9270-2 pawl</p>	<p><b>CB9230</b> Pivot Retainer</p> <p>White</p>	<p><b>CB9229</b> Brake shoe for CB9228 Locking Terminal</p> <p>White</p>
--------------------------------------	------------------------------------------------------------------	--------------------------------------------------	--------------------------------------------------------------------------

**CB 5 SERIES**

<p><b>CB9249</b> Locking Terminal</p> <p>white</p>	<p><b>CB9246</b> Locking Cam</p> <p>Cast Zinc Metal</p>	<p><b>CB9263</b> Sash Pivot</p> <p>white</p>	<p><b>CB9208</b> white</p>
<p><b>CB9231</b> Cast zinc metal</p>	<p><b>CB9232</b> Cast zinc metal</p>	<p><b>CB9258</b> Top Tilt Pivot</p> <p>Cast Zinc Metal</p>	<p><b>CB9202</b> 3/16" 3/8" L/R Pair Cast zinc metal</p>
<p><b>CB9248</b> white or black</p>	<p><b>CB9225</b> Upper Latch White</p>	<p><b>CB9219</b> .346" o.d. .174 i.d.</p>	<p><b>CB9207</b> white</p>

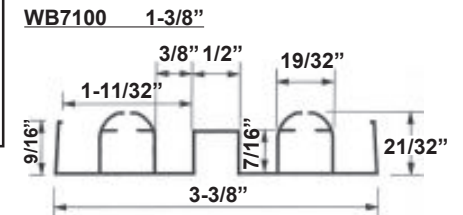
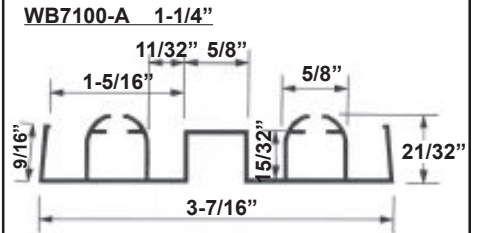
<p><b>CB9077</b></p> <p>5/8" 1-5/16" 7/8" white</p>	<p><b>CB9098</b> L/R Pair</p> <p>Black Brown &amp; White</p> <p>1-1/16" 1-1/4" 21/32" 1-51/64"</p>	<p><b>CB9202</b></p> <p>3/16" 3/8" 1-3/16" 1" Cast Zinc Metal</p> <p>L/R Pair</p>	<p><b>CB9208</b></p> <p>7/16" 5/16" white</p>
<p><b>CB9219</b> white</p> <p>1/4"</p> <p>.346" (approx. 11/32") o.d. .174" (approx. 11/64") i.d.</p>	<p><b>CB9225</b> Upper latch white nylon</p> <p>2-15/16" 5/16" 3/4"</p>	<p>The accessories shown on these pages are a representation of the thousands of balance accessories available through Blaine. Please contact our Customer Service Department at 1-800-678-1919 for assistance.</p>	<p><b>WB1360</b> cast zinc metal</p> <p>1-1/4" 3/16 x 5/16 x 2-1/2"</p>
<p><b>WB1361</b></p> <p>2" 1-3/8" cast zinc metal</p> <p>3/16 x 5/16 x 2-1/2"</p>	<p><b>WB1362</b> cast zinc metal</p> <p>1-1/2" cast zinc metal</p> <p>3/16 x 5/16 x 2-1/2"</p>		<p><b>WB1363</b> cast zinc metal</p> <p>15/16" cast zinc metal</p> <p>3/16 x 5/16 x 2-1/2"</p>
<p><b>WB1365</b> cast zinc metal</p> <p>2" 1-3/8" 11/64" dia. holes</p>	<p><b>WB1366</b> cast zinc metal</p> <p>2" 1-3/8" 1-1/8" cast zinc metal</p> <p>3/16 x 5/16 x 2-1/2"</p>	<p><b>WB1367</b> cast zinc metal</p> <p>1-15/16" 1-1/2" 7/32" cast zinc metal</p>	<p><b>WB1368</b> cast zinc metal</p> <p>1-3/4" 2-27/32" 2" 1-3/8" cast zinc metal</p> <p>3/16 x 5/16 x 3"</p>
<p><b>WB1302</b> cast zinc metal</p> <p>1-3/4" 1" cast zinc metal</p> <p>11/64" x 19/64" x 2-61/64"</p>	<p><b>WB1305</b> 8-32 threads Stainless Steel</p> <p>1-1/64" 8-32 threads Stainless Steel</p> <p>Order WB1305-Screw Separately Order WB1305-Hex Key Separately</p> <p>3/16 x 5/16 x 3</p>	<p><b>WB1317</b></p> <p>2-5/8" 1-5/8" 3/16" x 9/32" 3-7/32" cast zinc metal</p>	<p><b>WB1371</b></p> <p>2-3/8" 5/32" 1/2" 3/8" 1/4"</p>
<p><b>WB1374</b></p> <p>1" 2-7/8" 1/4" 3/16"</p>	<p><b>WB1380</b></p> <p>1-1/4" 2-5/8" 1/4" 5/32" 7/8"</p>	<p><b>WB1383</b></p> <p>1/4" 1-3/4" 1/4" 2-7/16" 1-1/2"</p>	<p><b>WB1387</b></p> <p>2-13/16" 9/16" 5/16" 3/32" 3/8"</p>

**For Single Strength Glass**

Glass Size	Opening Height	1-3/8" Part No.	1-1/4" Part No.	Max. Sash Weight	Length At Longest Point
12"	2-6 - 30"	WB7101	WB7101-A	7.8 LBS	30-3/16"
14"	2-10 - 34"	WB7102	WB7102-A	8.5 LBS	34-3/16"
16"	3-2 - 38"	WB7103	WB7103-A	9.2 LBS	38-3/16"
18"	3-6 - 42"	WB7104	WB7104-A	9.9 LBS	42-3/16"
20"	3-10 - 46"	WB7105	WB7105-A	10.6 LBS	46-3/16"
22"	4-2 - 50"	WB7106	WB7106-A	11.3 LBS	50-3/16"
24"	4-6 - 54"	WB7107	WB7107-A	12.0 LBS	54-3/16"
26"	4-10 - 58"	WB7108	WB7108-A	12.7 LBS	58-3/16"
28"	5-2 - 62"	WB7109	WB7109-A	13.4 LBS	62-3/16"
30"	5-6 - 66"	WB7110	WB7110-A	14.1 LBS	66-3/16"
32"	5-10 - 70"	WB7111	WB7111-A	14.8 LBS	70-3/16"
34"	6-2 - 74"	WB7112	WB7112-A	15.5 LBS	74-3/16"
36"	6-6 - 78"	WB7113	WB7113-A	16.2 LBS	78-3/16"

**WB7100**  
for 1-3/8" sash

**WB7100-A**  
for 1-1/4" Sash



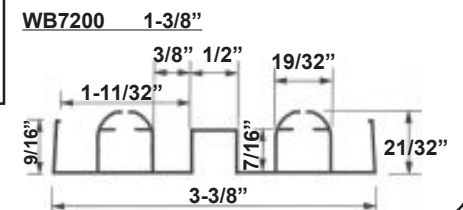
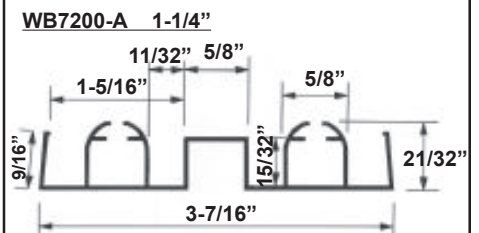
Only available in beige. 14 degree standard sill angle. Please contact Customer Service for more information or cottage, carriage and oriel windows.

**For Insulated or Double Strength Glass**

Glass Size	Opening Height	1-3/8" Part No.	1-1/4" Part No.	Max. Sash Weight	Length At Longest Point
12"	2-6 - 30"	WB7201	WB7201-A	11.0 LBS	30-3/16"
14"	2-10 - 34"	WB7202	WB7202-A	12.3 LBS	34-3/16"
16"	3-2 - 38"	WB7203	WB7203-A	13.5 LBS	38-3/16"
18"	3-6 - 42"	WB7204	WB7204-A	14.6 LBS	42-3/16"
20"	3-10 - 46"	WB7205	WB7205-A	16.0 LBS	46-3/16"
22"	4-2 - 50"	WB7206	WB7206-A	17.3 LBS	50-3/16"
24"	4-6 - 54"	WB7207	WB7207-A	18.5 LBS	54-3/16"
26"	4-10 - 58"	WB7208	WB7208-A	19.9 LBS	58-3/16"
28"	5-2 - 62"	WB7209	WB7209-A	21.0 LBS	62-3/16"
30"	5-6 - 66"	WB7210	WB7210-A	22.2 LBS	66-3/16"
32"	5-10 - 70"	WB7211	WB7211-A	23.5 LBS	70-3/16"
34"	6-2 - 74"	WB7212	WB7212-A	24.7 LBS	74-3/16"
36"	6-6 - 78"	WB7213	WB7213-A	26.0 LBS	78-3/16"

**WB7200**  
for 1-3/8" sash

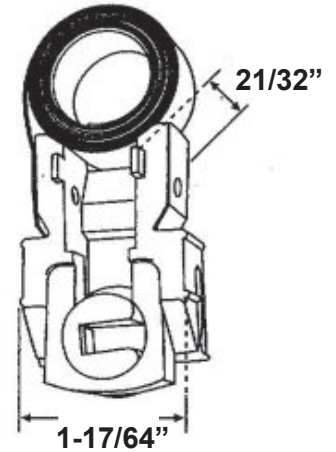
**WB7200-A**  
for 1-1/4" Sash



Only available in beige. 14 degree standard sill angle. Please contact Customer Service for more information or cottage, carriage and oriel windows.

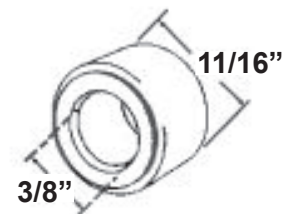
**WB9200  
Constant Force Balance**

Single or Double Coil	No. Stamped on Coil	Blaine Part No.
Single	5 or 540	WB9200-Single - 5/540
Single	6 or 640	WB9200-Single - 6/640
Single	7 or 740	WB9200-Single - 7/740
Single	8 or 840	WB9200-Single - 8/840
Single	832	WB9200-Single - 832
Double	440 / 440	WB9200-DbI - 440/440
Double	440 / 540	WB9200-DbI - 440/540
Double	540 / 540	WB9200-DbI - 540 / 540
Double	540 / 640	WB9200-DbI - 540 / 640
Double	640 / 640	WB9200-DbI - 640/640
Double	740 / 740	WB9200-DbI - 740/740

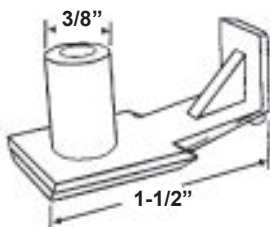


**WB9200 Bushing**

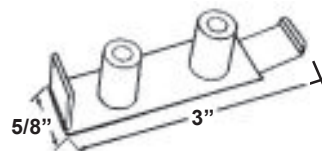
Color	Diameter	Blaine Part Number
Dark Gray	21/32"	WB9200-Bushing-DGRY
Black	21/32"	WB9200-Bushing-BLK
Bronze	41/64"	WB9200-Bushing-BRZ
Gray	11/16"	WB9200-Bushing-Gray
Tan	41/64"	WB9200-Bushing-TAN
White	43/64"	WB9200-Bushing-WHT



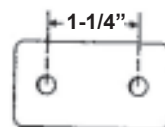
WB9200- Clip-058



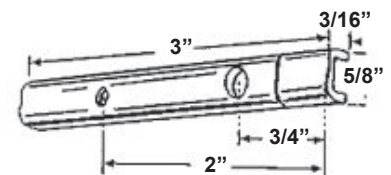
WB9200 -Double Clip-058



WB9200- Guide-058



**Pivot Bar**

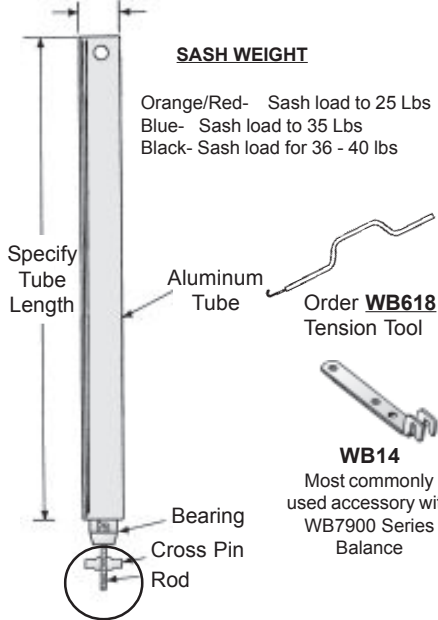


WB1047-1-050

**WB7900 Series Tube Balance  
Non Tilt**

Specify Tube Length & Bearing  
Color When Ordering

Actual Diameter 9/16".  
Referred to as 5/8" in Trade.



**SASH WEIGHT**

Orange/Red- Sash load to 25 Lbs  
Blue- Sash load to 35 Lbs  
Black- Sash load for 36 - 40 lbs

Order **WB618**  
Tension Tool

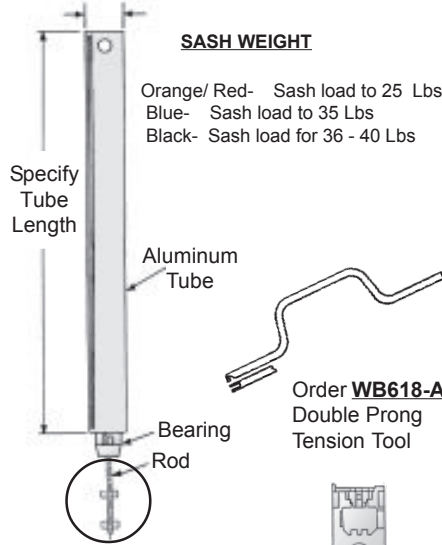
**WB14**  
Most commonly  
used accessory with  
WB7900 Series  
Balance

For  
Double / Single Hung, Non-Tilt /  
Non-Take Out Style Windows

**WB79-AT Series Tube Balance  
Tilt**

Specify Tube Length & Bearing  
Color When Ordering

Actual Diameter 9/16".  
Referred to as 5/8" in Trade.



**SASH WEIGHT**

Orange/ Red- Sash load to 25 Lbs  
Blue- Sash load to 35 Lbs  
Black- Sash load for 36 - 40 lbs

Order **WB618-AT**  
Double Prong  
Tension Tool

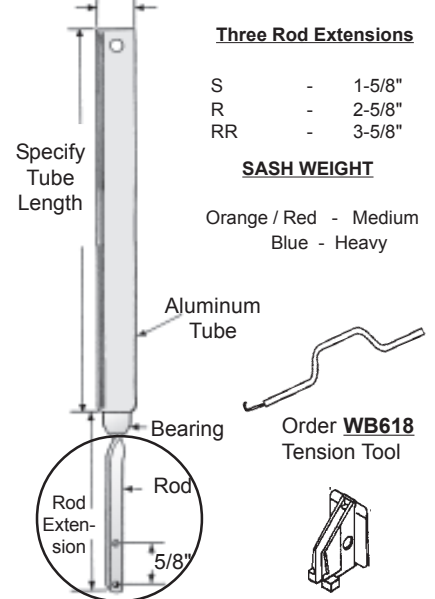
**WB1047**  
Most commonly used  
accessory with  
WB79 -AT Series  
Balance



**WB79-TO Series Tube Balance**

Specify Tube Length, Bearing  
extension and Color When Ordering

Actual Diameter 9/16".  
Referred to as 5/8" in Trade.



**Three Rod Extensions**

S - 1-5/8"  
R - 2-5/8"  
RR - 3-5/8"

**SASH WEIGHT**

Orange / Red - Medium  
Blue - Heavy

Order **WB618**  
Tension Tool

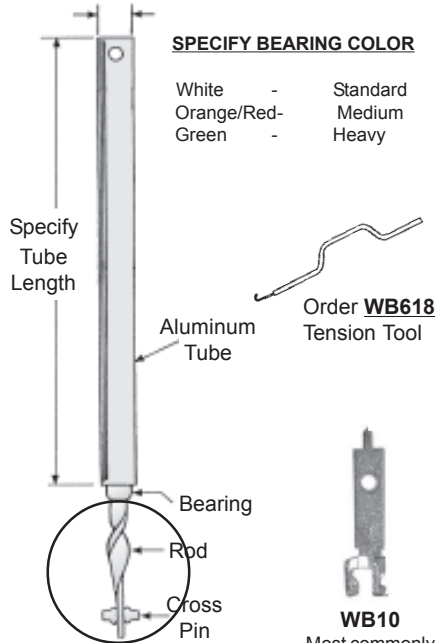
**WB213**  
Please specify if  
required at time of  
order

Specify Rod Extension  
when ordering

**WB7700 Series Tube Balance  
Non Tilt**

Specify Tube Length & Bearing  
Color When Ordering

3/8" Diameter



**SPECIFY BEARING COLOR**

White - Standard  
Orange/Red- Medium  
Green - Heavy

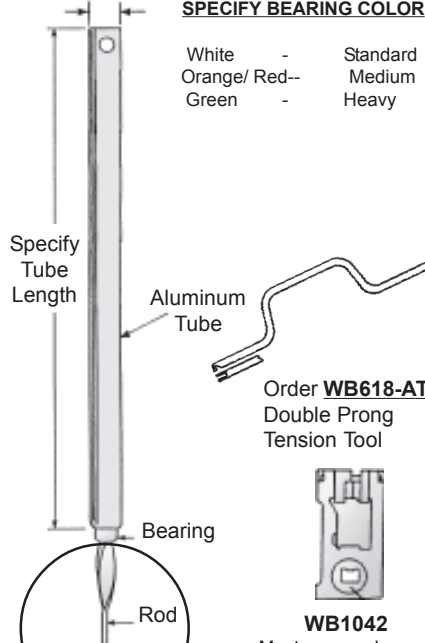
Order **WB618**  
Tension Tool

**WB10**  
Most commonly  
used accessory  
with WB7700  
Series Balance

**WB77-IT Series Tube Balance  
Tilt**

Specify Tube Length & Bearing  
Color When Ordering

3/8" Diameter



**SPECIFY BEARING COLOR**

White - Standard  
Orange/ Red-- Medium  
Green - Heavy

Order **WB618-AT**  
Double Prong  
Tension Tool

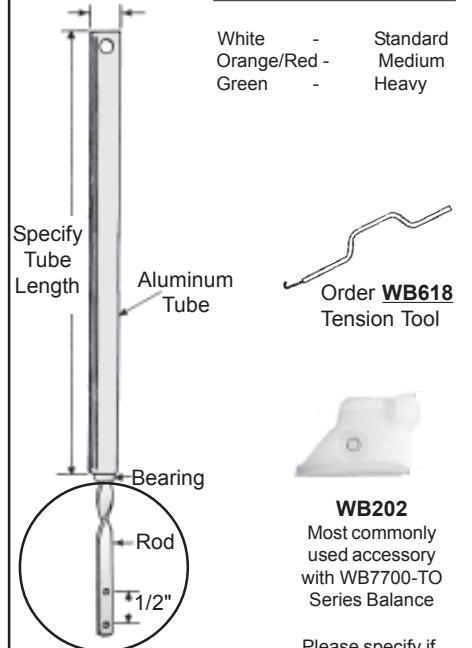
**WB1042**  
Most commonly used  
accessory with  
WB77-IT Series  
Balance

For Tilt Windows

**WB77-TO Series Tube Balance**

Specify Tube Length & Bearing  
Color When Ordering

3/8" Diameter



**SPECIFY BEARING COLOR**

White - Standard  
Orange/Red - Medium  
Green - Heavy

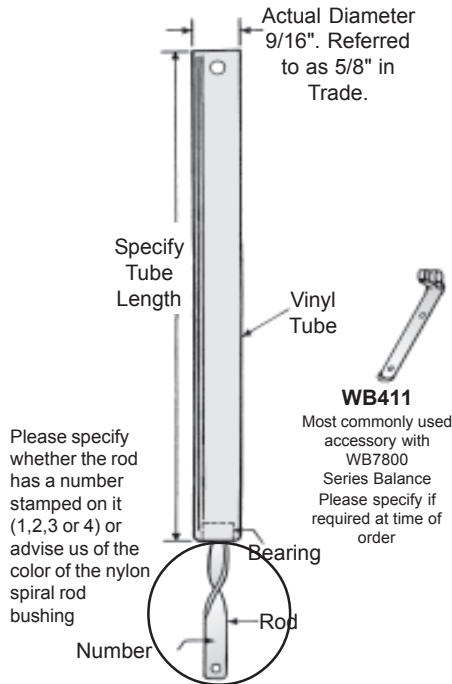
Order **WB618**  
Tension Tool

**WB202**  
Most commonly  
used accessory  
with WB7700-TO  
Series Balance

Please specify if  
required at time of  
order

**WB7800 Series Tube Balance**

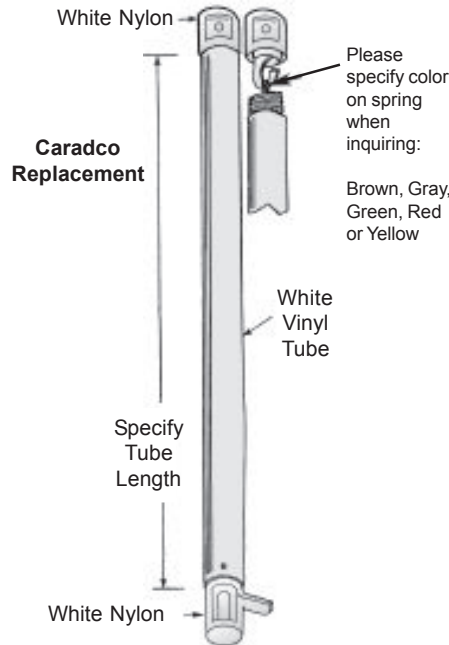
Specify Tube Length & Bearing Color When Ordering



Gray tube is standard for all WB7800 Series balances. All other tube colors must be special ordered.

**WB7400 Series Tube Balance**

Specify Tube Length & Color On Spring When Ordering



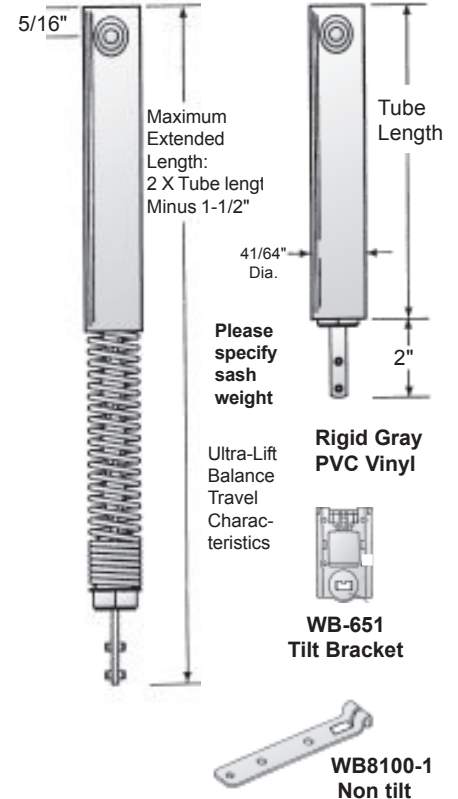
**ULTRA-LIFT BALANCE**

(Special Order)

Makes 80-Lb Sash Easy To Lift !

Specify tube length / weight / tilt or non tilt

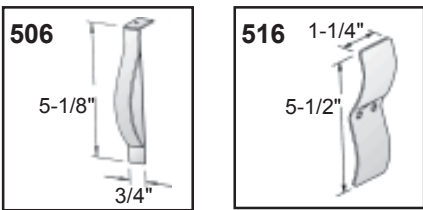
30-80 lbs per pair capacity Available 20-1/2" - 60-1/2"



**Fast Fix Window Springs**  
For Double Hung Windows

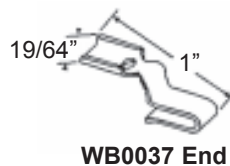
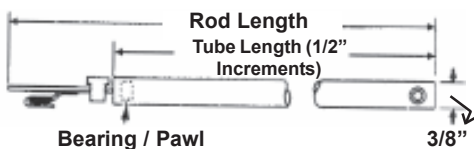
Eliminates broken sash cords. When sash cords break or windows rattle, insert the spring between the window frame and the sash and nail in place. Once installed, the spring will hold the window in position.

Sold by pair

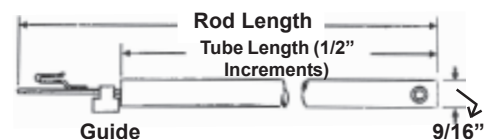


- Lifts 70% of sash weight vs AAMA's 40% minimum.
- Useable with both tilt and non-tilt windows.
- Fits most C-20 and HC-40 AAMA-Grade single and double hung windows.
- Fits most large architectural wood windows.  
Call Customer Service for more details.

**WB6000 SERIES**  
3/8" TUBE BALANCE



**WB7000 SERIES**  
5/8" PLASTIC TUBE BALANCE  
Tube diameter 9/16" but considered 5/8" in the trade



Limited stock available for WB6000 series and WB7000 series balance. Black tube is standard. Gray may be available on balances in warehouse. Contact Customer Service for availability. Possible substitute: WB0037 end guide attached to WB7700-TO Series or WB7900-TO Series. See page \_\_\_\_\_.

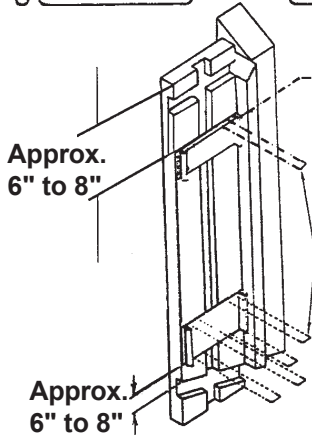
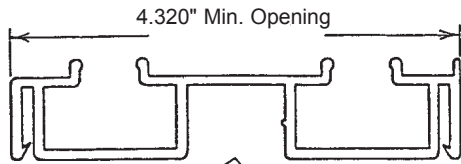


**Full Tilt Balance Systems**

CB8500 Series - For 1-3/4" Sash Thickness - Wood Frames  
CB8800 Series - For 1-3/8" Sash Thickness - Wood Frames

**Caution:** Our jambliners are square cut. Sill degree of angle to be determined at job site.

**CB8500 Series Vinyl Jambliners**



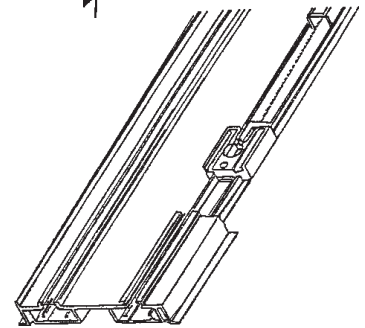
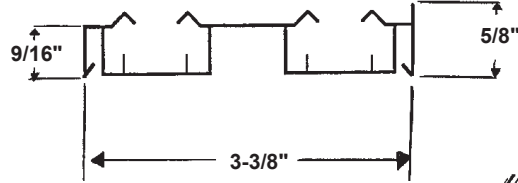
**Frame Jamb Preparation For Bracket Application**

Place end of bracket against blind stop.  
**NOTE:** Do not drive staple too tight. A small amount of free play in the bracket is desirable. Place vinyl jambliner against brackets and snap into place. 1/2" X 1/2" X 16 gauge staple. Additional brackets will be furnished for larger glass heights.

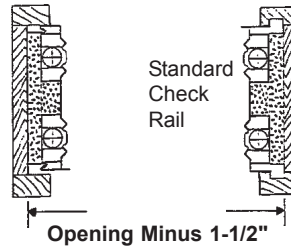
**Frame Applications And Sash Prefit**



**CB8800 Series Vinyl Jambliners**

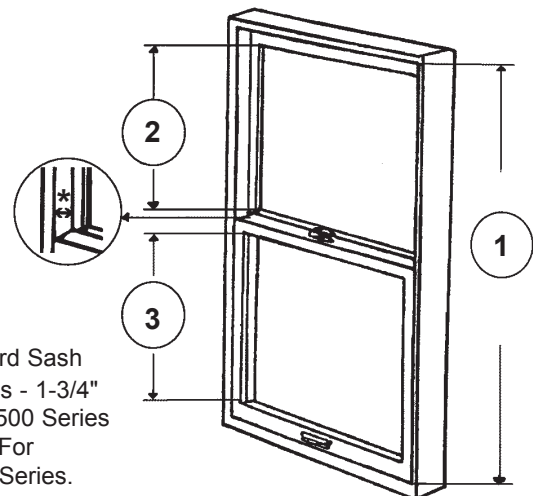


**FRAME APPLICATIONS AND SASH PREFIT**



**CRITICAL INFORMATION (REQUIRED) WHEN IDENTIFYING FULL TILT & NON-TILT BALANCE SYSTEMS**

1. Overall Opening \_\_\_\_\_
2. Visible Glass Height (upper) \_\_\_\_\_
3. Visible Glass Height (lower) \_\_\_\_\_
4. Sash Weight \_\_\_\_\_
5. Color: White or Beige \_\_\_\_\_
6. Sash Thickness \_\_\_\_\_
7. Specify Series \_\_\_\_\_



\* Standard Sash Thickness - 1-3/4" For CB8500 Series & 1-3/8" For CB8800 Series.

**\*Caution:** When converting an old style wooden sash to a newer style Full Tilt or Jambliner System, modifications may be required.

<p><b>WB-3</b></p> <p><b>WB-4</b> WB-4-Spec w/ loop spring</p>	<p><b>WB-10</b></p>	<p><b>WB-11</b></p>	<p><b>WB-14</b></p>	<p><b>WB-18</b></p>
<p><b>WB-22</b></p>	<p><b>WB-202</b></p>	<p><b>WB-411</b> replacement may differ slightly from original</p> <p>w/ rivet</p>	<p><b>WB-436</b> UNIQUE</p>	<p><b>WB-616</b> Black or white</p>
<p><b>WB-618</b></p> <p><b>WB-618-AT</b></p>	<p><b>WB-627</b></p> <p>Black or white</p>	<p><b>WB-634</b></p> <p>Black or white</p>	<p><b>WB-643</b></p>	<p><b>WB-644</b></p>
<p><b>WB-646-L/R</b></p> <p>Black or white</p>	<p><b>WB-651</b></p> <p>Black Cam</p>	<p><b>WB-652</b></p> <p>Tan Cam</p>	<p><b>WB-653</b></p> <p>Red Cam</p>	<p><b>WB-657</b> Plunger</p>
<p><b>WB-658</b> Black or white</p> <p>Anti draft black</p>	<p><b>WB-664</b></p> <p>Front View Back View</p>	<p><b>WB-1042</b> Used with WB77-IT Series</p> <p>White Cam</p>	<p><b>WB-1042-1</b></p> <p>Pivot Bar</p>	<p><b>WB-1047</b> Used with WB79-AT Series</p> <p>Blue Cam</p>
<p><b>WB-1059</b></p>	<p><b>WB-1064</b> For Crestline</p> <p>Assy includes (1) of each piece shown For spring, order WB7500-Spring</p>	<p><b>WB-1073</b> 3 pc. foot assembly</p> <p>Cast zinc replacement</p>	<p><b>WB-1083-Upper</b> Black only</p> <p><b>WB-1083-Lower</b></p>	<p><b>WL-33</b></p>

Constructed with solid brass, 1/8" thick face plate, ball bearing solid brass wheel, & stamped steel housing.



Model	Face Plate Width	Face Plate Length	Mount Hole Centers
571-A-004	1.250" (1-1/4")	6.390" (6-25/34")	5.187" (5-3/16")
571-B-004	1.250" (1-1/4")	5.578" (5-37/64")	4.500" (4-1/2")
571-C-004	1.125" (1-1/8")	5.437" (5-7/16")	4.375" (4-3/8")
571-D-004	1.093" (1-3/32")	4.937" (4-15/16")	4.000" (4")

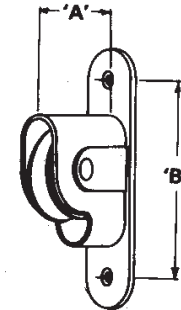


Designed to meet the needs of custom high-end window fabricators building large and heavy sash, and enables the use of 2" diameter or 2" square counterweights in most applications.

The standard finish is satin lacquered brass. Other finishes are available.

Constructed with cast housing and wheel, steel axle and operating with chain or rope. Available in red bronze (010) and nickel bronze (029).

Model	Face Size	Wheel Diameter	Sash Weight	'A' Dimension	'B' Dimension
571-A-029 571-A-010	1-1/4" x 6-1/2"	3"	50-200 lbs.	2-1/4"	5-3/16"
571-B-029 571-B-010	1-1/4" x 5-3/4"	2-1/2"	30-50 lbs.	2"	4-1/2"
571-C-029 571-C-010	1-1/8" x 5-1/2"	2"	20-40 lbs.	1-3/4"	4-3/8"
571-D-029 571-D-010	1" x 5"	2-1/4"	20-40 lbs.	1-5/8"	4"
571-E-029 571-E-010	1" x 4-5/8"	2"	1-20 lbs.	1-1/2"	3-5/8"



**Sash Weights**

571-WT-1-1/2-051  
3-1/4" high

571-WT-2-051  
4" high

571-WT-8-051  
15-1/2" high

•Available in 1-1/2 lb, 2 lbs & 8 lbs

•Designed to be stacked in combination to achieve desired weight.



**Sash Chain**

**1532-Chain**

- Copper dipped steel
- 100 ft. in box
- Max. work load - 75 lbs.

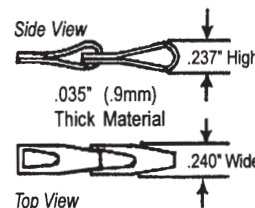


**Sash Fixtures**

**1532-Fixtures\***



- All 1532-Fixtures are packed with 25 sets per box - enough to repair 25 windows.
- 25 sets = 100 ea. hooks & 100 ea. spirals
- \*fixtures only work with sash chain, sold separately.



**1532-Cord**

- Nylon sash cord #7
- 7/32" Nylon
- 100 ft. in box