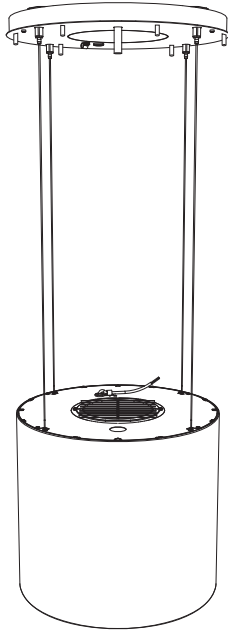


**FABER**



Installation Instructions  
Use and Care Information

Instructions d'installation  
Utilisez et d'entretien

Instrucciones de instalación  
Información de uso y cuidado

**ZOOMIL16SS400  
OCEANA-SH  
VANILLA-SH**

# READ AND SAVE THESE INSTRUCTIONS BEFORE YOU START INSTALLING THIS RANGEHOOD

## **WARNING: - TO REDUCE THE RISK OF A RANGE TOP GREASE FIRE:**

- a) Never leave surface units unattended at high settings. Boilovers cause smoking and greasy spillovers that may ignite. Heat oils slowly on low or medium setting.
- b) Always turn hood ON when cooking at high heat or when flambeing food (i.e. Crepes Suzette, Cherries Jubilee, Peppercorn Beef Flambé).
- c) Clean ventilating fans frequently. Grease should not be allowed to accumulate on fan or filter.
- d) Use proper pan size. Always use cookware appropriate for the size of the surface element.

## **WARNING: - TO REDUCE THE RISK OF INJURY TO PERSONS IN THE EVENT OF A RANGE TOP GREASE FIRE, OBSERVE THE FOLLOWING\*:**

- a) **SMOTHER FLAMES** with a close-fitting lid, cookie sheet, or metal tray, then turn off the burner. **BE CAREFUL TO PREVENT BURNS.** If the flames do not go out immediately **EVACUATE AND CALL THE FIRE DEPARTMENT.**
- b) **NEVER PICK UP A FLAMING PAN** - You may be burned.
- c) **DO NOT USE WATER**, including wet dishcloths or towels - a violent steam explosion will result.
- d) Use an extinguisher **ONLY** if:
  1. You know you have a Class ABC extinguisher, and you already know how to operate it.
  2. The fire is small and contained in the area where it started.
  3. The fire department is being called.
  4. You can fight the fire with your back to an exit.

\* Based on "Kitchen Firesafety Tips" published by NFPA

**WARNING - TO REDUCE THE RISK OF FIRE OR ELECTRIC SHOCK, do not use this fan with any solid-state speed control device.**

## **WARNING - TO REDUCE THE RISK OF FIRE, ELECTRICAL SHOCK, OR INJURY TO PERSONS, OBSERVE THE FOLLOWING:**

1. Use this unit only in the manner intended by the manufacturer.
2. If you have any questions, contact the manufacturer.
3. Before servicing or cleaning unit, switch power off at service panel and lock the service disconnecting means to prevent power from being switched on accidentally.
4. When the service disconnecting means cannot be locked, securely fasten a prominent warning device, such as a tag, to the service panel.

**CAUTION: For General Ventilating Use Only. Do Not Use To Exhaust Hazardous or Explosive Materials and Vapors.**

## **WARNING - TO REDUCE THE RISK OF FIRE, ELECTRICAL SHOCK, OR INJURY TO PERSONS, OBSERVE THE FOLLOWING:**

1. Installation Work And Electrical Wiring Must Be Done By Qualified Person(s) In Accordance With All Applicable Codes And Standards, Including Fire-Rated Construction.
2. Sufficient air is needed for proper combustion and exhausting of gases through the flue (chimney) of fuel burning equipment to prevent backdrafting. Follow the heating equipment manufacturer's guideline and safety standards such as those published by the National Fire Protection Association (NFPA), and the American Society for Heating, Refrigeration and Air Conditioning Engineers (ASHRAE), and the local code authorities.

3. **When cutting or drilling into wall or ceiling, do not damage electrical wiring and other hidden utilities.**
4. **Ducted fans must always be vented to the outdoors.**

ALL WALL AND FLOOR OPENINGS WHERE THE RANGEHOOD IS INSTALLED MUST BE SEALED. **This rangehood requires at least 24" of clearance between the bottom of the rangehood and the electric cooking surface or countertop and at least 30" of clearance between the bottom of the rangehood and the gas cooking surface or countertop.** This hood has been approved by UL at this distance from the cooktop. Consult the cooktop or range installation instructions given by the manufacturer before making any cutouts. MOBILE HOME INSTALLATION The installation of this rangehood must conform to the Manufactured Home Construction and Safety Standards, Title 24 CFR, Part 3280 (formerly Federal Standard for Mobile Home Construction and Safety, Title 24, HUD, Part 280). See Electrical Requirements.

## ELECTRICAL REQUIREMENTS

A 120 volt, 60 Hz AC-only electrical supply is required on a separate 15 amp fused circuit. A time-delay fuse or circuit breaker is recommended. The fuse must be sized per local codes in accordance with the electrical rating of this unit as specified on the serial/rating plate located inside the unit near the field wiring compartment.

### ELECTRICAL INSTALLATION WITH WIRING BOX

THIS UNIT MUST BE CONNECTED WITH COPPER WIRE ONLY. Wire sizes must conform to the requirements of the National Electrical Code, ANSI/NFPA 70 - latest edition, and all local codes and ordinances. Wire size and connections must conform with the rating of the appliance. Copies of the standard listed above may be obtained from:

National Fire Protection Association  
Batterymarch Park  
Quincy, Massachusetts 02269

This appliance should be connected directly to the fused disconnect (or circuit breaker) through flexible, armored or nonmetallic sheathed copper cable. Allow some slack in the cable so the appliance can be moved if servicing is ever necessary. A UL Listed, 1/2" conduit connector must be provided at each end of the power supply cable (at the appliance and at the junction box).

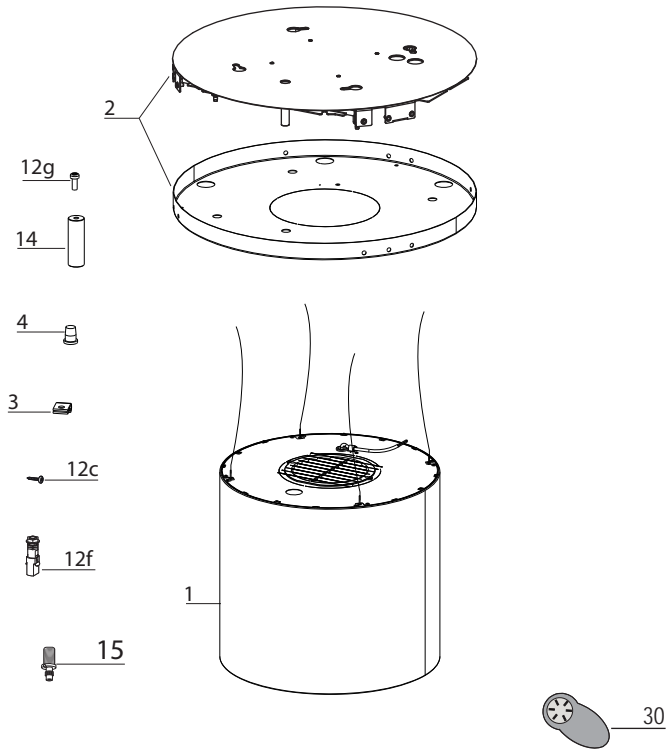
When making the electrical connection, cut a 1 1/4" hole in the ceiling. A hole cut through wood must be sanded until smooth. A hole through metal must have a grommet.



## WARNING

- Electrical ground is required on this rangehood.
- If cold water pipe is interrupted by plastic, nonmetallic gaskets or other materials, DO NOT use for grounding.
- DO NOT ground to a gas pipe.
- DO NOT have a fuse in the neutral or grounding circuit. A fuse in the neutral or grounding circuit could result in electrical shock.
- Check with a qualified electrician if you are in doubt as to whether the rangehood is properly grounded.
- Failure to follow electrical requirements may result in a fire.

## MAIN PARTS ZOOMIL16SS400



### Components

Ref.	Qty.	Product Components
1	1	Hood Body, complete with: Controls, Light, Filters, Motor.
2	1	Hood support plate
3	1	Cable bracket
4	1	Cable raceway
12f	6	Lamp holder
14	1	Pawl
15	4	Knobs
30	1	Remote Control
	6	G9 LED Lights

Ref.	Qty.	Installation Components
12c	1	Screw 1/8" x 3/8"
12g	1	Screw for pawl

Qty.	Documentation
1	Instruction Manual

### Available Accessories

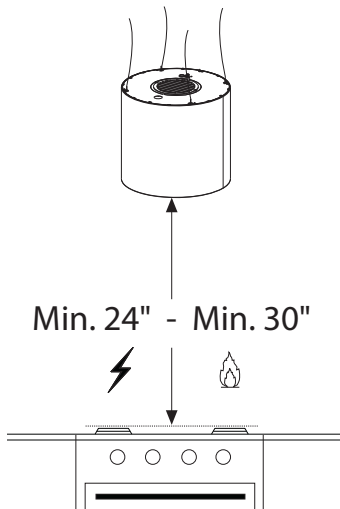
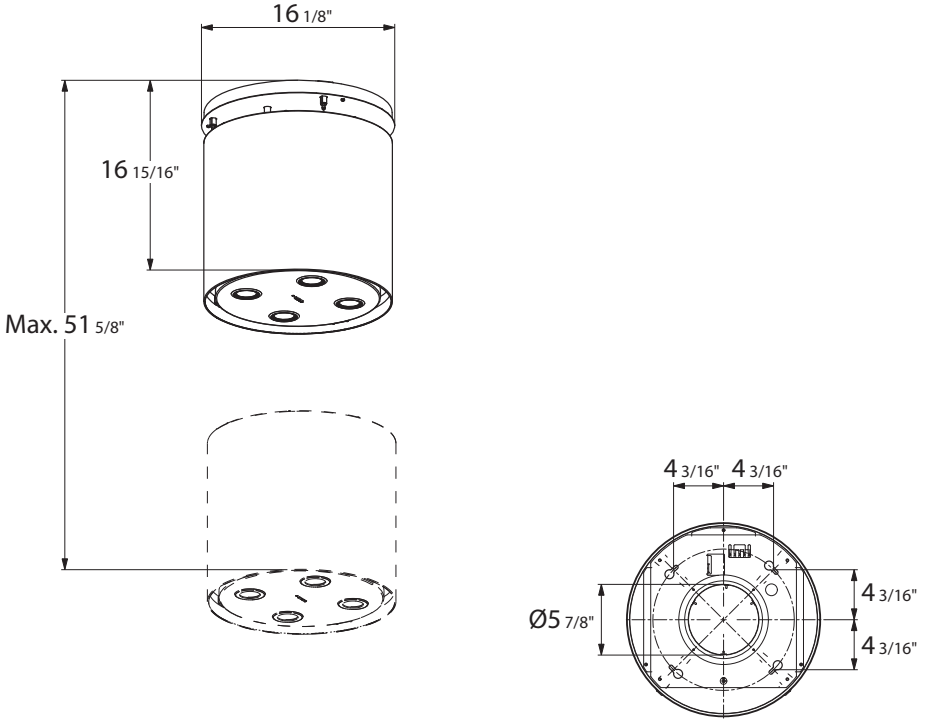
Activated  
Charcoal  
Filter sku #;  
FILTER1



To reduce the risk of fire  
and shock use only FILTER1  
Accessory.

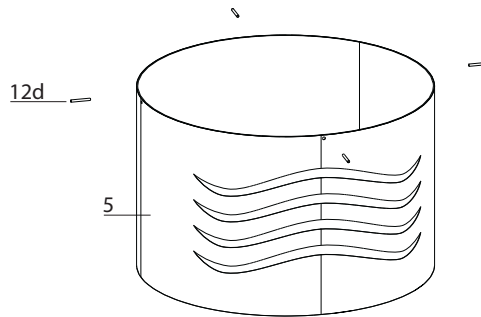
# RANGEHOOD DIMENSIONS

ZOOMIL16SS400



## MAIN PARTS

### MAIN PARTS CEILING LIGHTING DIFFUSER OCEANA-SH



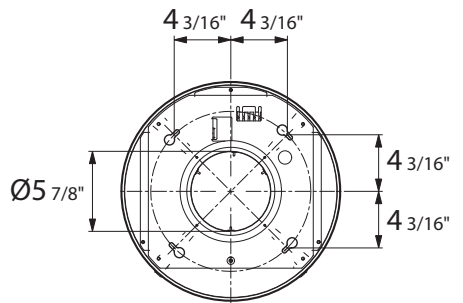
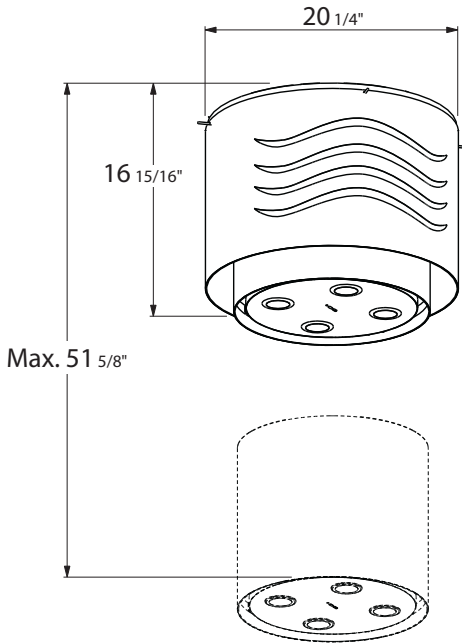
### Components

Ref.	Qty.	Product Components
5	1	Glass or Panels the other material

Ref.	Qty.	Installation Components
12d	4	Chrome plated ceiling lighting diffuser fixing Pin / Screws

# RANGEHOOD DIMENSIONS

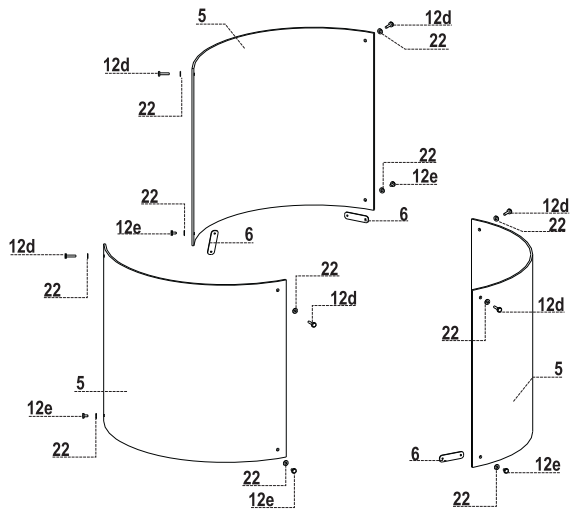
## MAIN PARTS CEILING LIGHTING DIFFUSER OCEANA-SH





## MAIN PARTS

### MAIN PARTS CEILING LIGHTING DIFFUSER VANILLA-SH



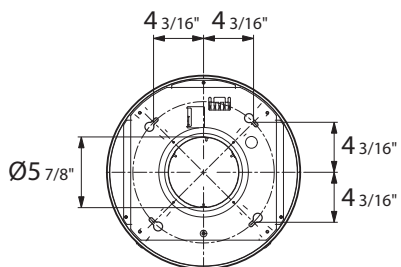
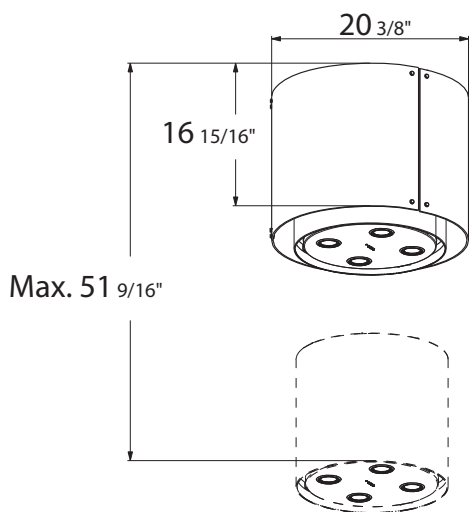
### Components

Ref.	Qty.	Product Components
5	3	Glass
6	3	Glass fixing plates
6	6	G9 LED Lights

Ref.	Qty.	Installation Components
12d	6	Screws
12e	6	Screws
22	12	Rubber washers

# RANGEHOOD DIMENSIONS

## MAIN PARTS CEILING LIGHTING DIFFUSER VANILLA-SH

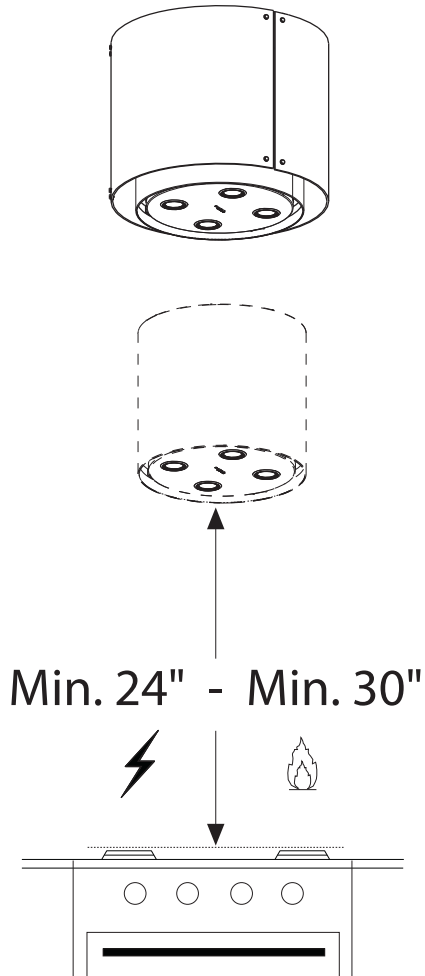


## INSTALLATION

This hood is designed to be mounted on the ceiling, and in Recirculation mode only.

This hood is to be installed within the limits listed below:

- Range Hood(Up&Down): minimum 24" on electric cooking surface and 30" on gas cooking surface.
- Ceiling Lighting Diffuser: 40" both on electric and gas cooking surface.



## Sequence of operations - Installation

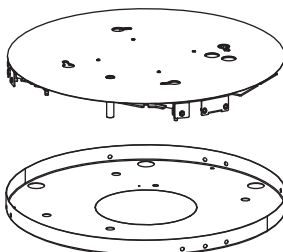
Preparing for installation:

- Drilling the Ceiling and Fixing the support plate
- Connections
- Fitting the hood body
- Functional Check
- Disposal of Packaging



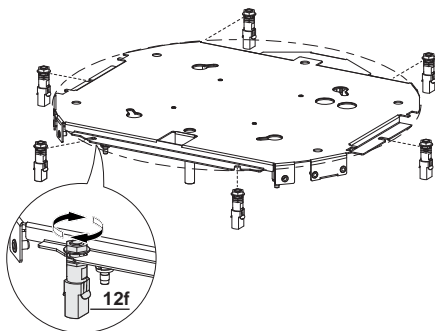
### Fitting the Limiter pawl

1

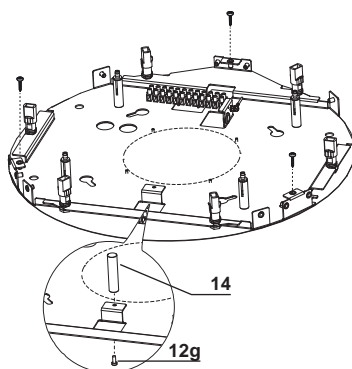


1.1

1.2

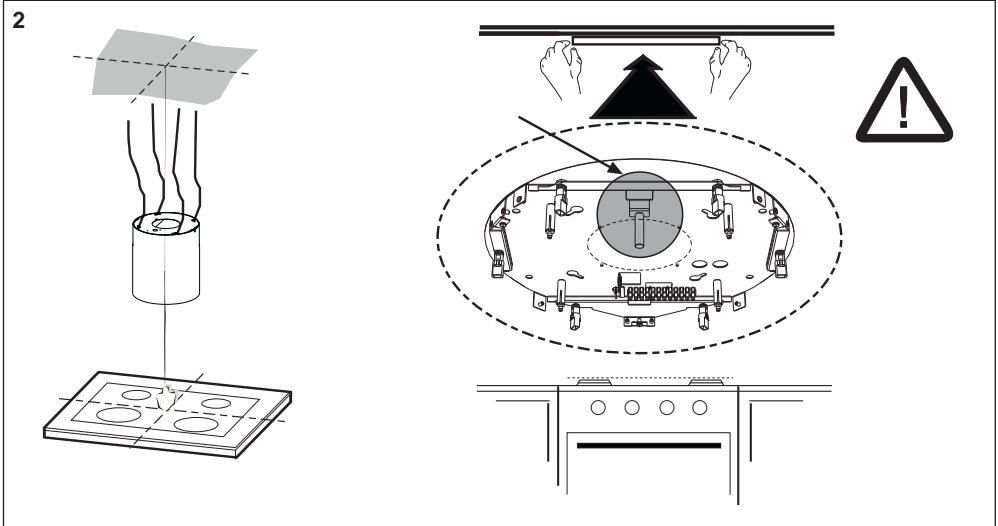


1.3



- Unfasten the 3 screws that join the parts of the Plate (of different shapes and/or sizes) using the wrench provided.
- Insert the lamp holders (**12f**) in the position indicated in the figure 1.2, and secure them using the nuts.
- Take the Pawl (**14**) and secure it to the plate on the bracket in the position indicated in figure 1.3 using the Screw (**12g**) provided.
- Tighten the Screw fixing the bulb holders to the bracket, in such a way as to hold the latter between the 2 washers.

## Ceiling drilling and Plate Fixing CEILING DRILLING

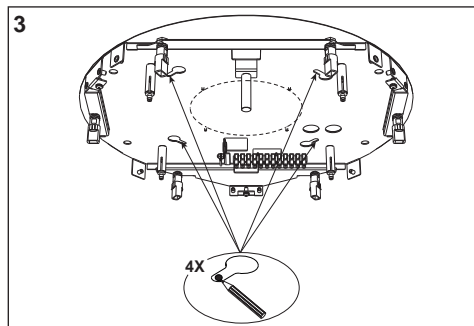


Use a plumb-line and mark the center of the cooking surface on the Support Ceiling.

- Rest the plate against the ceiling, taking care to keep the limit pawl that has just been fitted in a position facing the installer and the cooking surface (the limit pawl must not be confused with the other 4 used to fix the steel cables that move the Hood).
- Mark on the ceiling the centerlines of the holes in the plate.
- Drill the following points:
  - Ceilings in solid concrete: As per concrete plugs used.
  - Ceilings in hollow bricks with 13/16" resistance thickness: Drill a hole  $\varnothing$  3/8" (insert Plugs not supplied).
  - Wooden shelf, with a resistant thickness of 9/16": drill a hole  $\varnothing$  4/16".

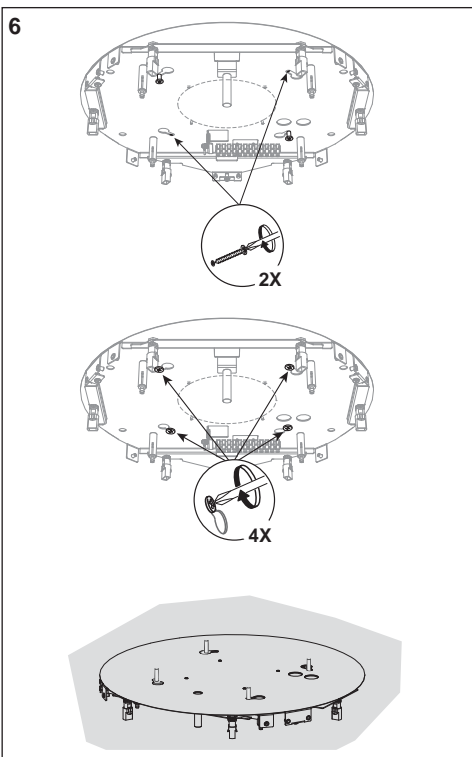
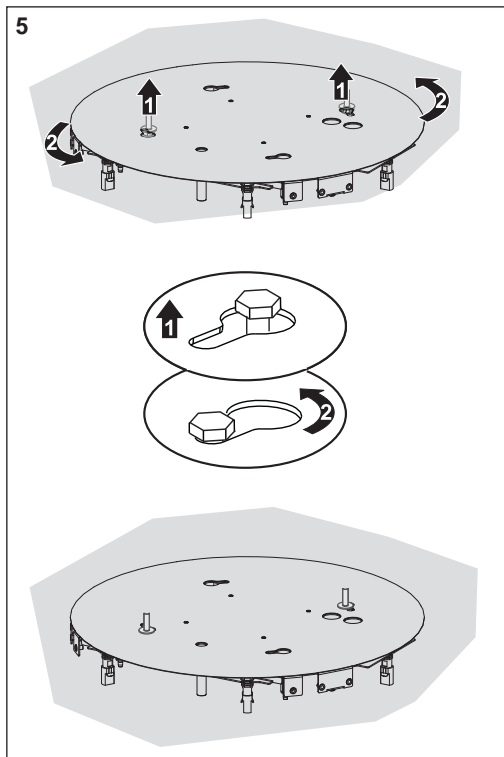
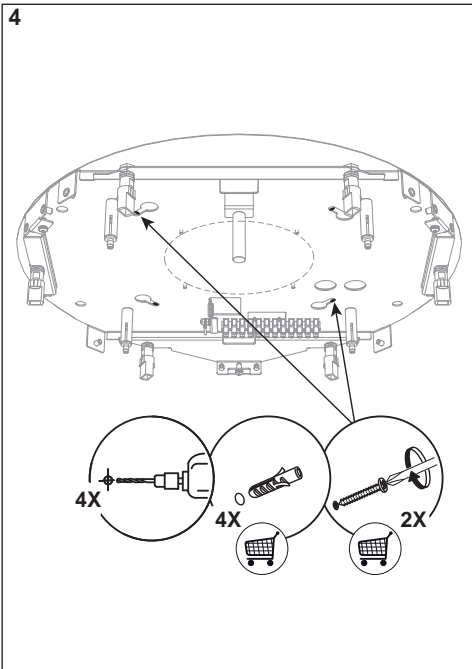
Insert two screws from opposite corners and leave 3/16" of the screws from the ceiling:

- for solid concrete, concrete plugs, not provided.
- for hollow bricks with approx. 13/16" resistance thickness, screws not provided.
- for wooden beams, wood screws, not provided.
- for wooden shelves, screws with washers and nuts, not provided.

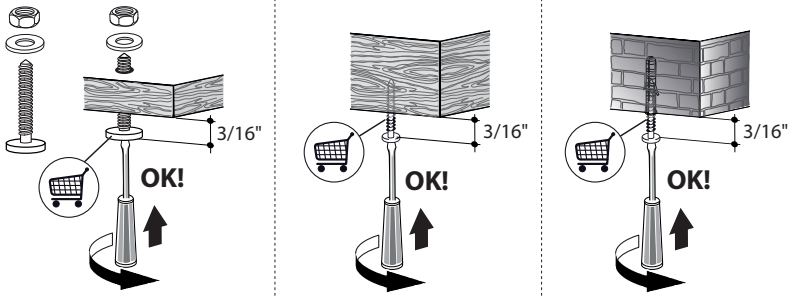


## FIXING THE PLATE

- Lift up the fixing plate, taking care to ensure that the limit pawl is positioned frontally.
- Fit the slots onto the two screws previously inserted in the ceiling, and turn until they are at the center of the adjustment slot.
- Tighten the two screws completely and screw in the other two provided; before locking the screws completely it is possible to make adjustments by turning the piece, making sure that the screws do not come out of the adjustment slot.
- The unit must be securely fastened both due to the weight of the Hood and the stress caused by occasional sideways pressure on the Appliance when in position. Once the unit has been fixed, make sure that the plate is stable.
- In all cases where the Ceiling is not sufficiently strong at the point of suspension, the Installation technician must strengthen it with suitable plates and counterplates, anchored to structurally sound elements.



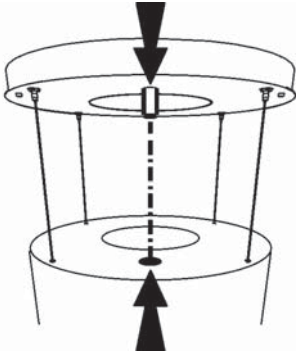
7



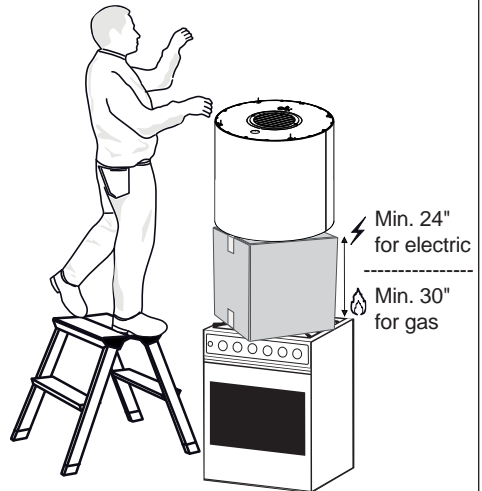
Use only screws and small parts in support of the hood.

**Warning:** Failure to install the screws or fixing device in accordance with these instructions may result in electrical hazards.

8




Minimum distances must be kept between the hood and cooking surface.



## CONNECTING HOOD-PLATE CABLES

**N.B.** Before continuing with installation it is necessary to move the hood to a height of at least 24" from the electric cooking surface and 30" from the gas cooking surface, using a support or the assistance of another person.

 This is essential, as the hood cables must necessarily be connected to the plate fitted to the ceiling without the weight of the hood bearing on the structure.

**The cable fixing system is made up of 3 parts:**

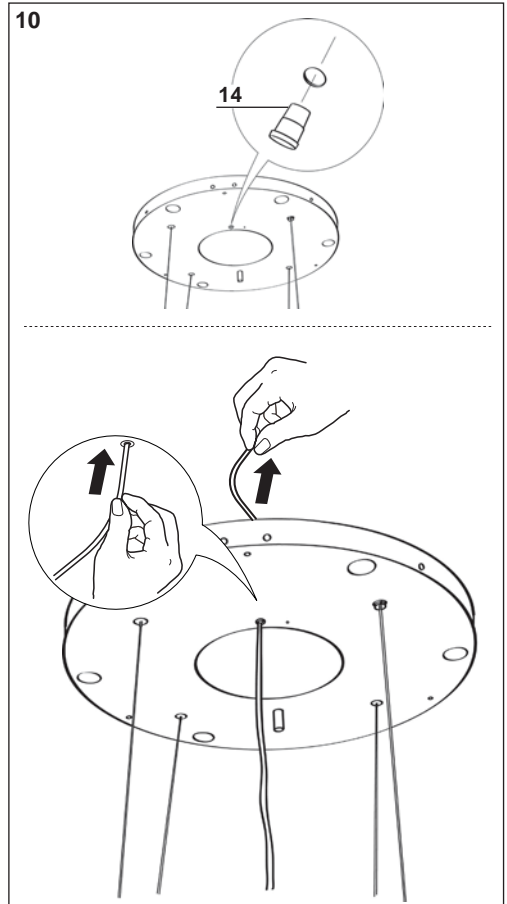
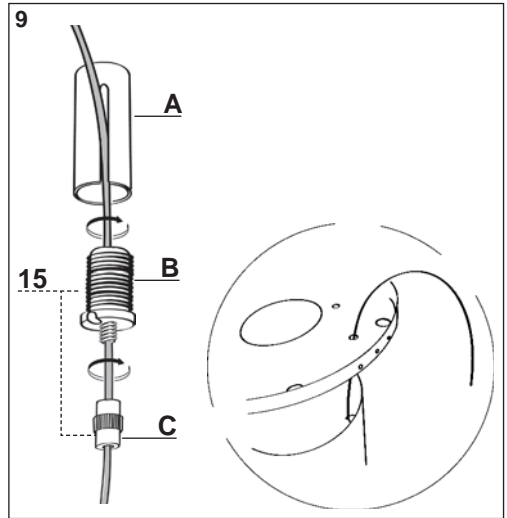
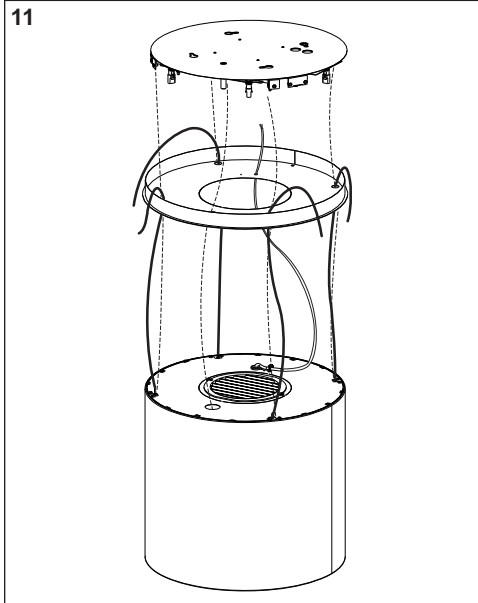
- Threaded Pawls (**a**) already mounted on the ceiling plate.
- Cable clamp screws (**b**) provided (**15**).
- Safety knobs (**c**) provided (**15**).

• Pass the cables connected to the hood canopy into the respective holes in the plate cover, after dismantling.

• Insert the cable raceway (**14**) in the opening on the plate cover and pass the hood power supply cable through it.

**Warning: Do not break or remove the clamp fixing the power cable to the Hood.**

• Attention to the direction of the plate fixed to the ceiling (the limit pawl on the plate fastened to the ceiling has a corresponding hole on the plate cover and on the hood canopy).





- Insert the cables into the safety knobs (c) with the thread at the top (Fig.12).
- Insert the cables into the cable clamp screws (b) (Fig.12).

• Pass the cables through the slots in the threaded pawls (a) and screw the cable locking screws (b) to the pawls themselves (Fig.13).

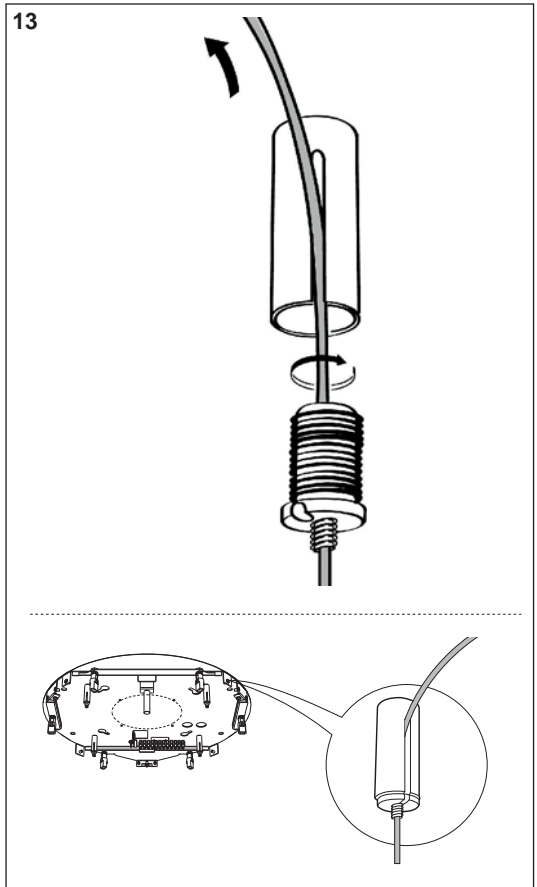
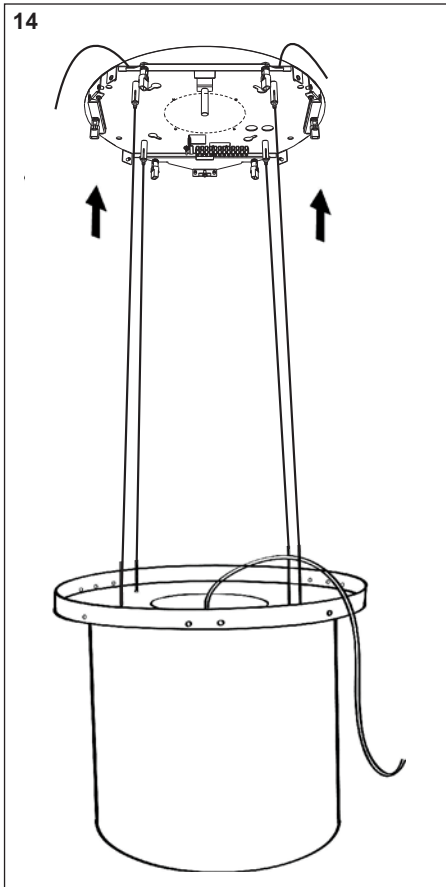
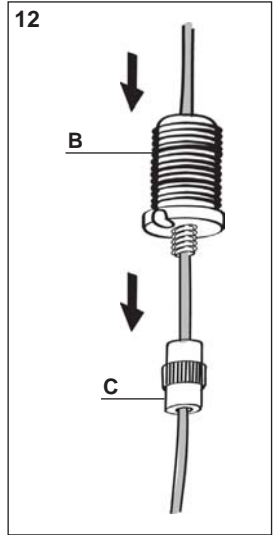
• When the operation has been completed the result must be as shown in the figure for all 4 cables (Fig.14).

• At this point we have all 4 cables connected to the plate.

**Bring the cables under tension by pushing them upwards so that they slide inside the cable clamp screw and slide out of the slot in the threaded pawl.**

**This is possible because the cable clamp screw has a system that, if mounted properly, allows the cables to slide inside it in one direction only, and prevents it from sliding in the other direction.**

**Attention, the cables all have the same length to facilitate the operation of the final level. The front left cable must not be slacker than the others.**



## LEVELLING THE HOOD

- The hood mobile unit must be levelled to allow the movement to operate properly.
- The hood is levelled by adjusting the safety pawls.

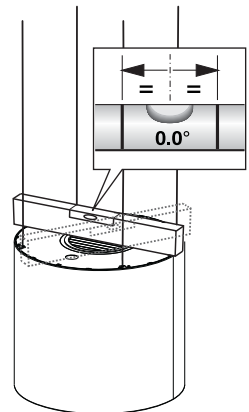
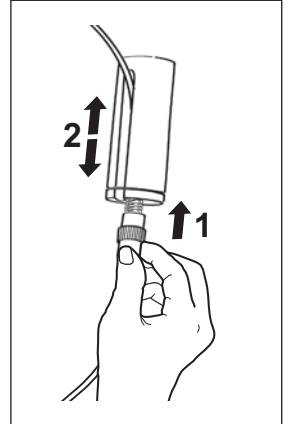
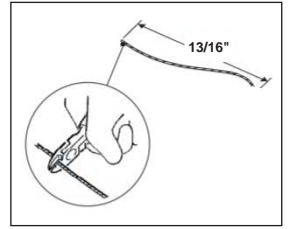
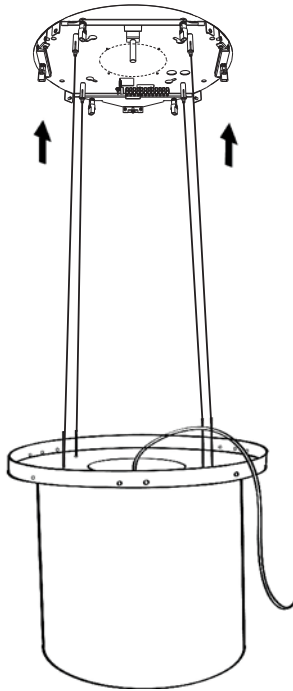
- Rest a spirit level on the hood.

- When the safety knobs are pressed upwards, movement of the hood is "unlocked". By inserting or extracting the cable from the cable clamp screw it is possible to make adjustments that allow the mobile hood body to be levelled.
- Once the hood has been set level, the safety knobs must be tightened again.

### Warning:

- Please check that all 4 cables are stretched.
- Please check that all 4 cables were not damaged during installation.
- Please cut the excess part of each cable. The excess part must be shorter than 13/16".
- It must be remembered that the minimum distance between the hood and the cooking hob must be 24" from the electric cooking surface and 30" from the gas cooking surface.

15



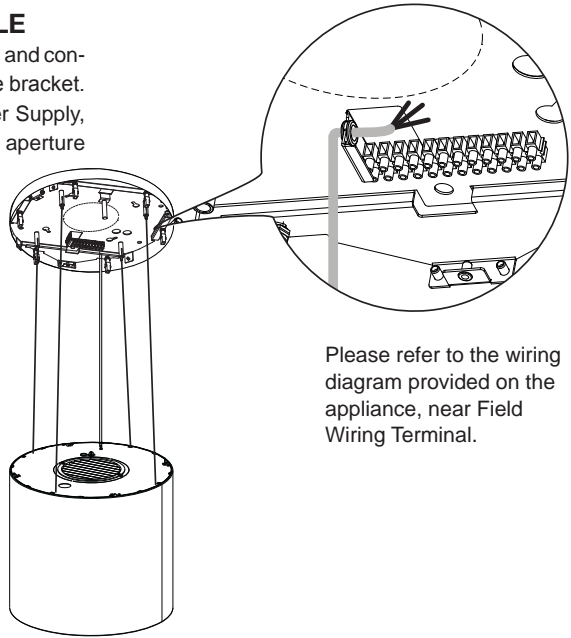
## Connections

### Non-Ducted Recirculation Only

- Open the lighting unit by pulling on the notch provided.
- Remove the grease filters.
- Make sure that the Activated charcoal filters has been fitted.

## CONNECTING THE HOOD POWER SUPPLY CABLE

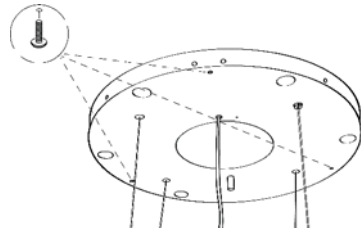
- Take the power supply cable from hood and connect the end with exposed wires into the bracket.
- Connect the Hood to the Mains Power Supply, inserting a bipolar switch with a contact aperture of at least 3 mm.
- Remove the Grease filters (see paragraph "Maintenance") and make sure that the Power cable has been properly inserted into the Suction fan socket.
- At this point it is possible to connect up the hood, and Ceiling lighting assembly to the power supply using the respective power cables.



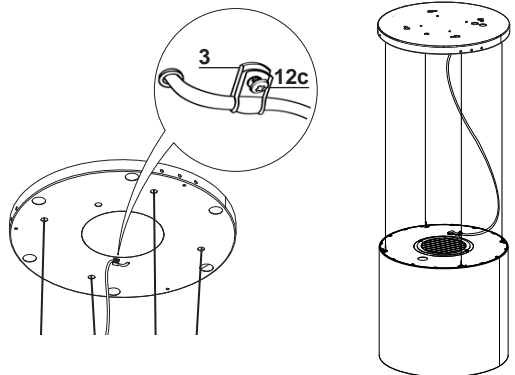
Please refer to the wiring diagram provided on the appliance, near Field Wiring Terminal.

## FITTING THE PLATE COVER

- Close the plate cover using the 3 screws removed previously and the wrench provided.



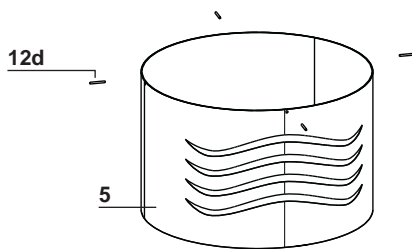
- Take the cable clamp **3** provided.
- Insert the Power cable in the Cable clamp **3** and screw it to the plate using one of the Screws **12c** provided.
- Finally, check that the power supply cable is properly locked, checking that when the mobile unit rises up towards the ceiling, it positions itself over the mobile unit and does not come out from the edge of the hood.



## FITTING THE GLASS

### OCEANA-SH

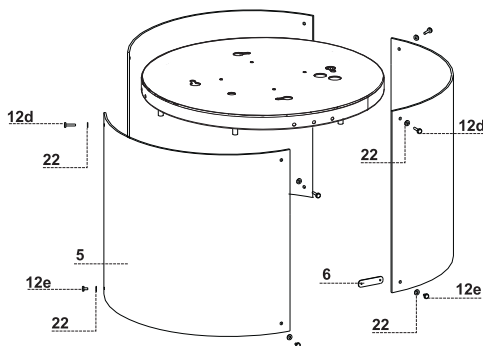
- Take the G9 LED Lights and insert them in the lamp holders.
- They do not have to be screwed in, but simply inserted all the way.
- Fix the metal shade **5** to the plate using the fixing knobs **12d**.



## FITTING THE GLASS

### VANILLA-SH

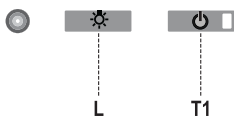
- Take the G9 LED Lights and insert them in the lamp holders.
- They do not have to be screwed in, but simply inserted all the way.
- Fix the glass **5** to the plate using the screws **12d** and washers **22** in the top part.
- Fix the glass elements together at the bottom using the glass fixing plates **6** with screws **12e** and washers **22**.



## CONTROL PANEL

### For Best Results

Start the rangehood several minutes before cooking to develop proper airflow. Allow the rangehood to operate for several minutes after cooking is complete to clear all smoke and odors from the kitchen.



Button	Function	Display
L	Turns the lights On/Off.	-
T1	<b>Hood Down / Extended</b> Press for 2 seconds to raise the Hood. Press briefly to turn the Motor On/Off.	On/Off.
	<b>Hood Near Ceiling</b> Press once: The Hood lowers. Press a second time: The Hood Stops. When the movement has been completed the motor turns on at Speed two.	On/Off.

**Warning:** The Hood controls only control the Hood functions. The Lighting unit has a completely separate power supply and a separate switch.

### THE ELECTRONIC CONTROL SYSTEM RECOGNIZES AND SIGNALS TWO TYPES OF FAULT.

Led T1	
<b>Slow flashing</b>	<b>Current absorption threshold exceeded:</b> If an overload condition occurs, the fault is signalled by LED T1 on the keyboard flashing once every 2 seconds. Check that nothing is blocking normal hood movements. The signal remains active until a new hood open/close command is given.
<b>Rapid flashing</b>	<b>Hood opening safety microswitch tripped:</b> If the safety microswitch trips, the fault is signalled by LED T1 on the keyboard flashing quickly (once every 250 ms). This means that the hood has passed the microswitch..... <b>Call Technical Assistance!</b> You can continue to use the hood's light and motor functions while this fault is active. Whenever the motor is on, <b>LED T1</b> will continue to flash, indicating that the fault is still present.

## REMOTE CONTROL

The appliance can be controlled using a remote control powered by a 1.5 V carbon-zinc alkaline batteries of the standard LR03-AAA type (not included).

- Do not place the remote control near to heat sources.
- Used batteries must be disposed of in the proper manner.



## Control panel

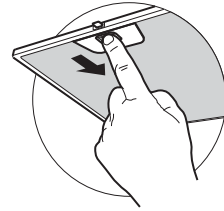


Button	Function	Display
⏻	Turns the Motor On/Off.	-
	<b>Hood Closed:</b> - Press the button briefly to start lowering the hood. - It will stop when the button is pressed again. When the movement has been completed the motor will start at speed 2.	-
	<b>Hood Open:</b> - Press and hold for 2 seconds to activate raising of the hood, which stops when it reaches the stop. - Press (briefly) to stop the movement (before the stop is reached). - Press again briefly to turn the motor on/off. - Press and hold for 2 seconds to start raising of the hood. - If the motor is on, it will first stop the motor and then start the movement.	-
+	Decreases the speed of the Motor.	-
-	Increases the speed of the Motor.	-
ⓘ	<b>INTENSIVE</b> - This can only be activated with the hood lowered and when the delay or 24h functions are not active. - Activates Intensive speed from any other speed. To disable it, simply press the same button again or turn the motor off. - Intensive speed is timed to run for 6 minutes. At the end of the 10 minutes the system will automatically return to the speed that was set before.	The led on the motor button (on the hood controls) will flash once a second.
🕒	<b>Press briefly for the Delay Function:</b> Can only be activated if the Intensive or 24h function is not active. Activates and deactivates total shutdown of the hood (motor+lights) after 30 minutes: To disable the Delay, simply press the button again or turn the motor off.	The led on the motor button (on the hood controls) will flash once every 0.5 seconds.
	<b>Press and hold for 2 sec. for the 24H Function:</b> Can only be activated if the Intensive or Delay function is not active. Activates and deactivates the 24H function for 10 minutes every hour, for 24 hours. After this time it is deactivated.	The led on the motor button (on the hood controls) will flash once every 2 seconds.
💡	Turns the Hood lights On/Off.	-

# MAINTENANCE

## GREASE FILTER

The filter must be cleaned every 2 months of operation, or more frequently for particularly heavy usage, and can be washed in a dishwasher.



## CLEANING METAL SELF-SUPPORTING GREASE FILTER

- Open the lighting unit by pulling on the notch.
- Remove the filter one by one pushing it towards the back side of the hood unit and simultaneously pulling downwards.
- Any kind of bending of the filter has to be avoided when washing it. Before fitting it again into the hood make sure that it is completely dry.
- When fitting the filter into the hood pay attention that they are mounted in correct position the handle facing outwards.
- Replace the lighting unit.

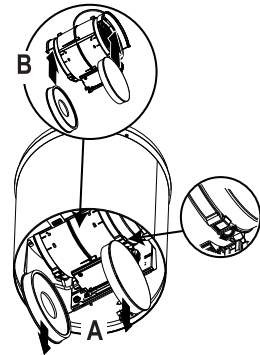
---

## ACTIVATED CHARCOAL FILTER

This cannot be washed or regenerated, and must be changed approximately once every 4 months, or more frequently in the case of particularly intensive use.

### CHANGING

- Open the light unit.
- Remove grease filter.
- Remove the saturated Activated Charcoal Filters, as indicated (A).
- Fit the new Filters, as indicated (B).
- Fit the anti-grease filter and the Light Unit back into position.



---

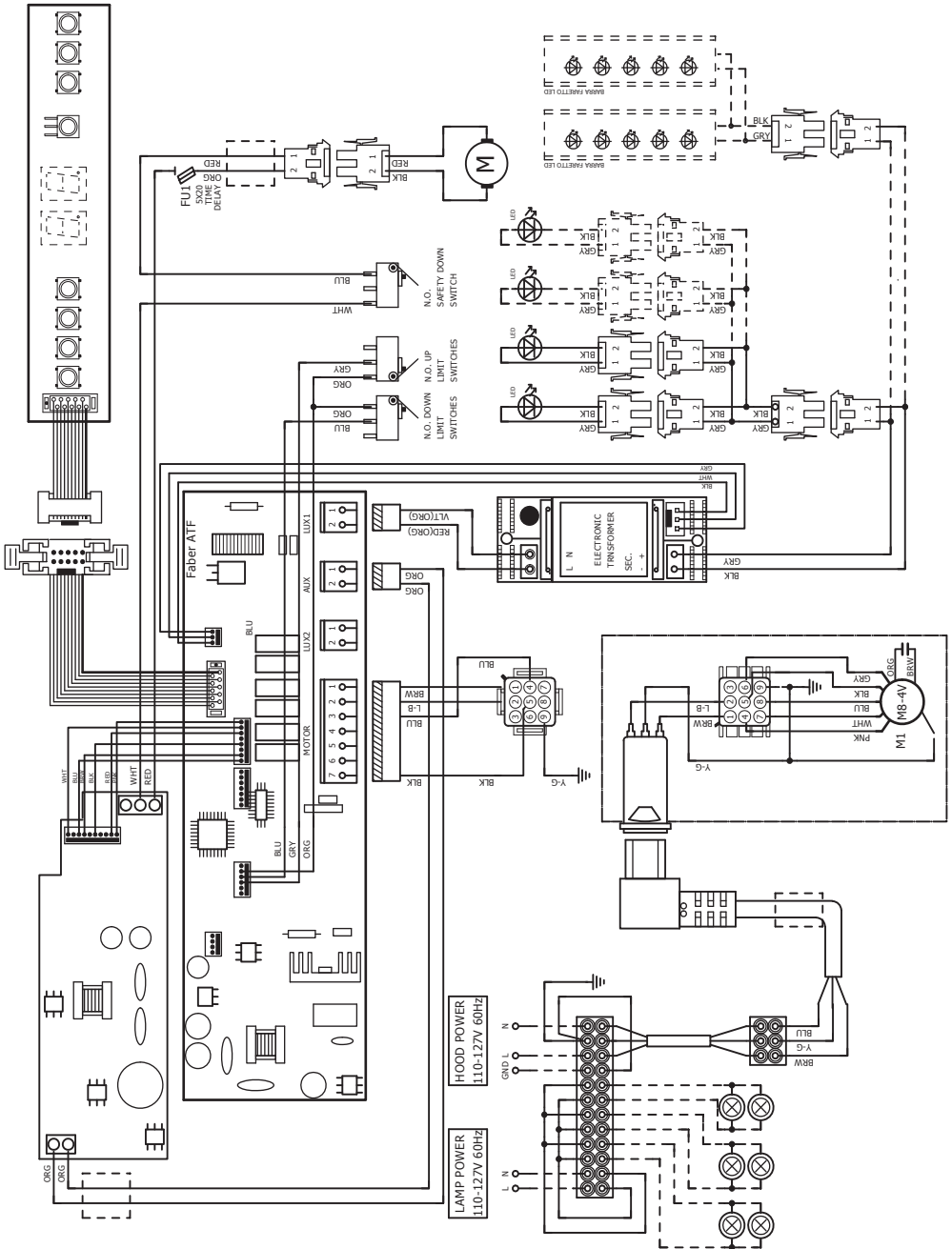
## HOOD LIGHTING UNIT

- For replacement contact technical support ("to purchase contact technical support").

## CEILING LIGHTING DIFFUSER

- G9 self-ballasted led lamps - listed in accordance with ul 1993/nmx-j-578/1-ance/csa c22.2 No. 1993
- Replace the lamp with a new one of the same type, making sure that you insert the two pins properly into the housings on the lamp holder.

# Wiring Diagram







## FABER CONSUMER WARRANTY & SERVICE

All Faber products are warranted against any defect in materials or workmanship for the original purchaser for a period of 1 year from the date of original purchase (requires proof of purchase). This warranty covers labor and replacement parts. Faber, at its option, may repair or replace the product or components necessary to restore the product to good working condition. To obtain warranty service, contact the dealer from whom you purchased the range hood, or the local Faber distributor. If you cannot identify a local Faber distributor, contact us at (508) 358-5353 for the name of a distributor in your area.

**The following is not covered by Faber's warranty:**

1. Service calls to correct the installation of your range hood, to instruct you how to use your range hood, to replace or repair house fuses or to correct house wiring or plumbing.
2. Service calls to repair or replace range hood light bulbs, fuses or filters. Those consumable parts are excluded from warranty coverage.
3. Repairs when your range hood is used for other than normal, single-family household use.
4. Damage resulting from accident, alteration, misuse, abuse, fire, flood, acts of God, improper installation, installation not in accordance with electrical or plumbing codes or Faber documentation, or use of products not approved by Faber.
5. Replacement parts or repair labor costs for units operated outside the United States or Canada, including any non-UL or C-UL approved Faber range hoods.
6. Repairs to the hood resulting from unauthorized modifications made to the range hood.
7. Expenses for travel and transportation for product service in remote locations and pickup and delivery charges. Faber range hoods should be serviced in the home.

THIS WARRANTY DOES NOT ALLOW RECOVERY OF INCIDENTAL OR CONSEQUENTIAL DAMAGES, INCLUDING, WITHOUT LIMITATION, DIRECT, INDIRECT, INCIDENTAL, SPECIAL OR CONSEQUENTIAL DAMAGES, PERSONAL INJURY/WRONGFUL DEATH OR LOST PROFITS FABER WARRANTY IS LIMITED TO THE ABOVE CONDITIONS AND TO THE WARRANTY PERIOD SPECIFIED HEREIN AND IS EXCLUSIVE. EXCEPT AS EXPRESSLY SPECIFIED IN THIS AGREEMENT, FABER DISCLAIMS ALL EXPRESS OR IMPLIED CONDITIONS, REPRESENTATIONS, AND WARRANTIES INCLUDING, WITHOUT LIMITATION, ANY IMPLIED WARRANTIES OF MERCHANTABILITY OR FITNESS FOR A PARTICULAR PURPOSE.

This warranty gives you specific legal rights that may vary from state to state.

Model#: \_\_\_\_\_

Serial #: \_\_\_\_\_

January 4, 2016

## VEUILLEZ LIRE ET CONSERVER LA PRÉSENTE NOTICE AVANT DE COMMENCER L'INSTALLATION DE LA HOTTE DE CUISINE

**AVERTISSEMENT: -POUR RÉDUIRE LE RISQUE D'UN FEU DE GRAISSE SUR LA TABLE DE CUISSON :**

- a) Ne laissez jamais sans surveillance les éléments de la surface de cuisson à température élevée. Les bouillonnements excessifs peuvent provoquer de la fumée et les débordements de graisse peuvent s'enflammer. L'huile doit être chauffée lentement, à une température basse ou moyenne.
- b) Assurez-vous de toujours mettre en marche le ventilateur de la hotte lorsque vous cuisinez à température élevée ou préparez un mets flambé (p.ex. crêpes Suzette, cerises jubilé, bœuf flambé).
- c) Nettoyez régulièrement les ventilateurs d'aspiration. Assurez-vous de ne pas laisser de la graisse s'accumuler sur le ventilateur ou le filtre.
- d) Utilisez toujours des poêles et casseroles de la taille appropriée. Utilisez toujours des ustensiles de cuisine de la taille adaptée à celle de l'élément chauffant.

**AVERTISSEMENT : - POUR PRÉVENIR LES BLESSURES EN CAS DE FEU DE GRAISSE SUR LA TABLE DE CUISSON, SUIVEZ LES RECOMMANDATIONS SUIVANTES\* :**

- a) ÉTOUFFEZ LES FLAMMES à l'aide d'un couvercle hermétique, d'une plaque à biscuits ou d'un plateau métallique, puis éteignez le brûleur. FAITES ATTENTION AUX BRÛLURES. Si le feu ne s'éteint pas immédiatement, QUITTEZ LES LIEUX ET APPELEZ LES POMPIERS.
- b) NE PRENEZ JAMAIS UNE CASSEROLE EN FLAMME - Vous pourriez vous brûler.
- c) N'UTILISEZ JAMAIS DE L'EAU, ni un linge à vaisselle ou un torchon mouillé, pour éteindre le feu. Cela pourrait provoquer une violente explosion de vapeur.
- d) Utilisez un extincteur **UNIQUEMENT** si :
  1. Vous êtes certain qu'il s'agit d'un extincteur de classe ABC et que vous connaissez bien son mode d'emploi.
  2. Le feu est de faible intensité et se limite à l'endroit où il a démarré.
  3. Les pompiers ont déjà été appelés.
  4. Une voie de sortie se trouve derrière vous pendant que vous éteignez les flammes

\* D'après le guide « Kitchen Firesafety Tips » publié par la NFPA aux États-Unis

**AVERTISSEMENT -POUR RÉDUIRE LE RISQUE D'INCENDIE OU DE CHOC ÉLECTRIQUE, n'utilisez jamais ce ventilateur en association avec un dispositif de réglage de vitesse à semi-conducteurs.**

**AVERTISSEMENT - POUR RÉDUIRE LES RISQUES D'INCENDIE, DE CHOC ÉLECTRIQUE OU DE BLESSURE CORPORELLE, RESPECTEZ LES INSTRUCTIONS SUIVANTES :**

1. Utilisez cet appareil uniquement de la façon prévue par le fabricant. Pour toute question, communiquez avec le fabricant.
2. Avant de procéder à l'entretien ou au nettoyage de l'appareil, coupez l'alimentation au niveau du panneau électrique et verrouillez-le pour vous assurer que l'électricité n'est pas rétablie accidentellement. S'il n'est pas possible de verrouiller le dispositif d'interruption de l'alimentation, affichez de façon ferme et bien visible un avis de danger, par exemple à l'aide d'une étiquette sur le panneau.

**ATTENTION : Destiné à un usage de ventilation générale uniquement. N'utilisez pas ce dispositif pour l'aspiration de vapeurs ou de matériaux dangereux ou explosifs.**

**AVERTISSEMENT - POUR RÉDUIRE LES RISQUES D'INCENDIE, DE CHOC ÉLECTRIQUE OU DE BLESSURE CORPORELLE, RESPECTEZ LES INSTRUCTIONS SUIVANTES :**

1. L'installation et le branchement électrique doivent être réalisés par un technicien qualifié et conformément à tous les codes et normes en vigueur, incluant ceux concernant la construction à l'épreuve du feu.
2. Afin de garantir une combustion et une évacuation adéquates des gaz par les conduites de la cheminée des appareils à combustion, une bonne aération est nécessaire pour éviter le refoulement. Respectez les lignes directrices fournies par le fabricant du matériel chauffant, ainsi que les normes de sécurité comme celles publiées par la National Fire Protection Association (NFPA) et la American Society for Heating, Refrigeration and Air Conditioning Engineers (ASHRAE) aux États-Unis, ainsi que les codes en vigueur dans votre région.

3. Lorsque vous faites une ouverture ou percez dans un mur ou le plafond, veillez à ne pas endommager les fils électriques ou d'autres dispositifs cachés.
4. Les ventilateurs canalisés doivent toujours être raccordés à l'extérieur.

TOUTE OUVERTURE DANS LE MUR OU LE PLANCHER À PROXIMITÉ DE LA HOTTE DOIT ÊTRE SCELLÉE.

**Pour cette hotte, un espace d'au moins 24" doit séparer le bas de la hotte et le comptoir ou la surface de cuisson, si cette dernière est électrique, et un espace d'au moins 30" doit séparer le bas de la hotte et le comptoir ou la surface de cuisson, si cette dernière est au gaz.** Cette hotte a été homologuée par l'UL à cette distance de la surface de cuisson. Consultez la notice d'installation de la surface de cuisson ou de la cuisinière fournie par le fabricant avant de pratiquer des ouvertures. INSTALLATION DANS UNE MAISON MOBILE L'installation de cette hotte doit être conforme à la Partie 3280 de la norme Manufactured Home Construction and Safety Standards, Title 24 CFR (précédemment la partie 280 de la norme Federal Standard for Mobile Home Construction and Safety, Title 24, HUD). Consultez la fiche technique électrique.

## FICHE TECHNIQUE ÉLECTRIQUE

Une alimentation de courant alternatif de 120 volt à 60 Hz est requise sur un circuit à fusible distinct de 15 ampères. Il est recommandé d'installer un fusible temporisé ou un disjoncteur. Le fusible doit être calibré conformément aux codes en vigueur pour les caractéristiques nominales électriques de l'appareil, indiquées sur la plaque signalétique située à l'intérieur de l'appareil, à proximité du compartiment des câblages externes.

### INSTALLATION ÉLECTRIQUE AVEC BOÎTIER DE CÂBLAGES

CET APPAREIL DOIT ÊTRE UNIQUEMENT BRANCHÉ À L'AIDE DE FILS DE CUIVRE. Le calibre des fils doit être conforme aux critères de la dernière édition du National Electrical Code, de l'ANSI/NFPA 70 et de l'ensemble des codes et réglementations en vigueur. Le calibre des fils et les connexions doivent être adaptés aux caractéristiques nominales de l'appareil. Il est possible de se procurer un exemplaire des normes indiquées ci-dessus en communiquant avec :

National Fire Protection Association  
Batterymarch Park  
Quincy, Massachusetts 02269 (États-Unis)

Cet appareil devrait être branché directement au sectionneur à fusible (ou au disjoncteur) par un câble flexible de cuivre avec blindage ou gaine non métallique. Laissez un peu de jeu dans le câble pour permettre le déplacement de l'appareil si des travaux d'entretien s'avéraient nécessaires. Un raccord de conduit homologué par l'UL de 1/2 " doit être installé aux deux extrémités du câble d'alimentation (au niveau de l'appareil et de la boîte de liaison).

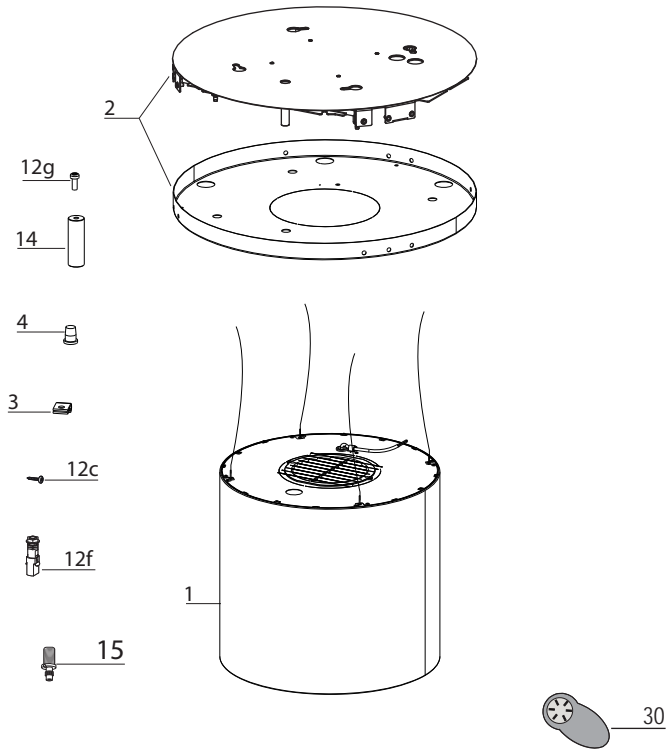
Lors de la réalisation du branchement électrique, réalisez un trou de 1 1/4 " dans le mur. S'il s'agit d'un trou dans le bois, il doit être poncé pour le rendre lisse. S'il s'agit d'un trou dans le métal, un passe-fils est requis.



## WARNING

- Electrical ground is required on this rangehood.
- If cold water pipe is interrupted by plastic, nonmetallic gaskets or other materials, DO NOT use for grounding.
- DO NOT ground to a gas pipe.
- DO NOT have a fuse in the neutral or grounding circuit. A fuse in the neutral or grounding circuit could result in electrical shock.
- Check with a qualified electrician if you are in doubt as to whether the rangehood is properly grounded.
- Failure to follow electrical requirements may result in a fire.

## PIÈCES PRINCIPALES ZOOMIL16SS400



### Composants

Réf.	Qté	Composants du produit
1	1	Bâti de la hotte, avec : Commandes,Éclairage, Filtres, Moteur.
2	1	Plaque de suspension de la hotte
3	1	Support de câble
4	1	Canalisation électrique
12f	6	Douille de lampe
14	1	Cliquet
15	4	Boutons
30	1	Télécommande
	6	Ampoules DEL G9

Réf.	Qté	Composants d'installation
12c	1	Vis 1/8" x 3/8"
12g	1	Vis pour cliquet

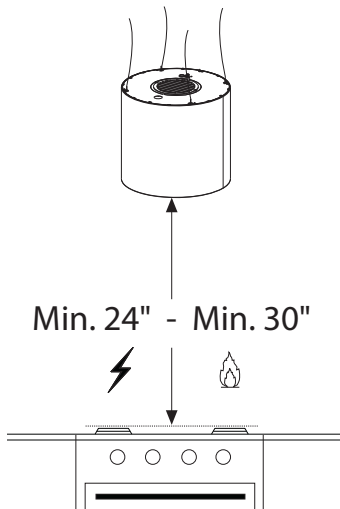
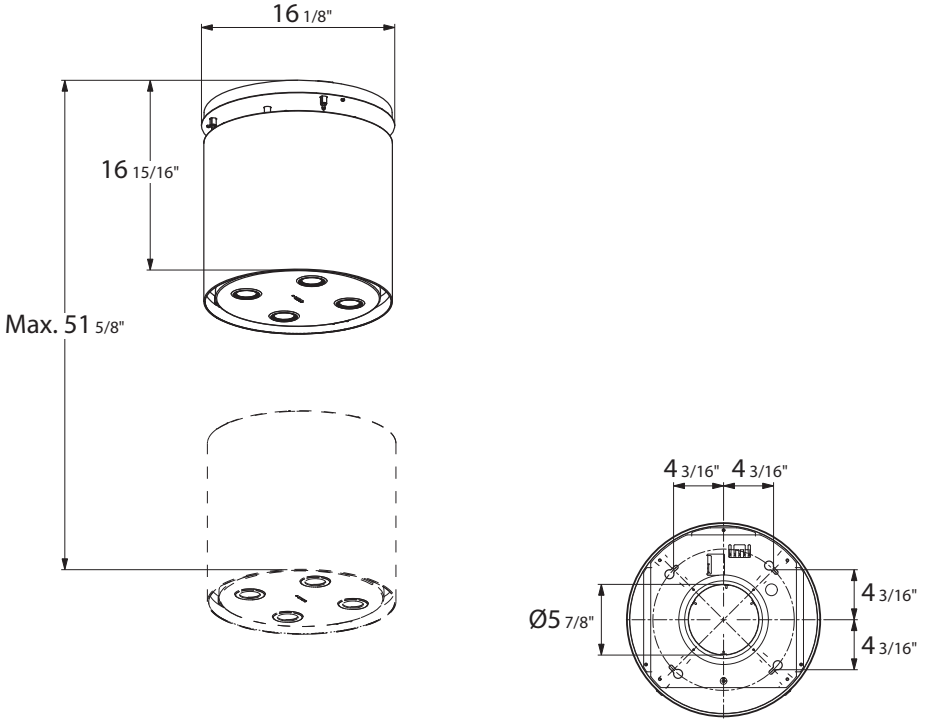
### Accessoires disponibles

Filtre à charbon actif, no d'article : FILTER1



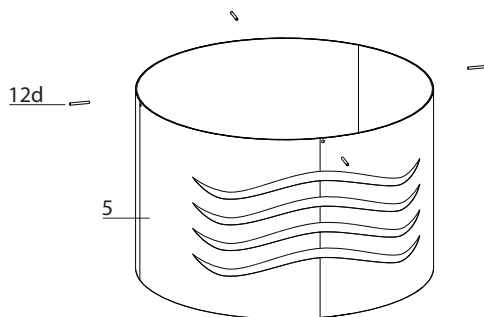
Pour réduire le risque d'incendie ou de choc électrique, utilisez uniquement l'accessoire FILTER1.

**DIMENSIONS DE LA HOTTE**  
ZOOMIL16SS400



## PIÈCES PRINCIPALES

### PIÈCES PRINCIPALES - PLAFONNIER OCEANA-SH



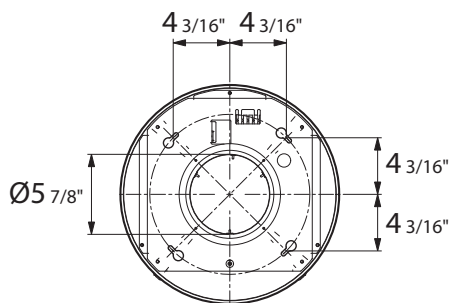
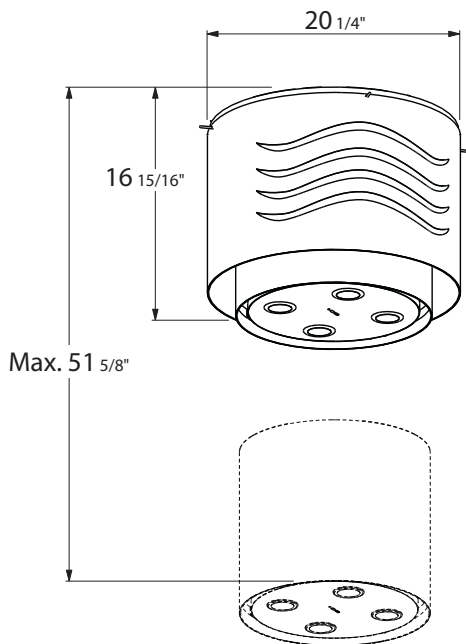
#### Composants

Réf.	Qté	Composants du produit
5	1	Verre ou panneaux d'autre matériau

Réf.	Qté	Composants d'installation
12d	4	Goupilles de fixation / vis pour plafonnier chromé

# DIMENSIONS DE LA HOTTE

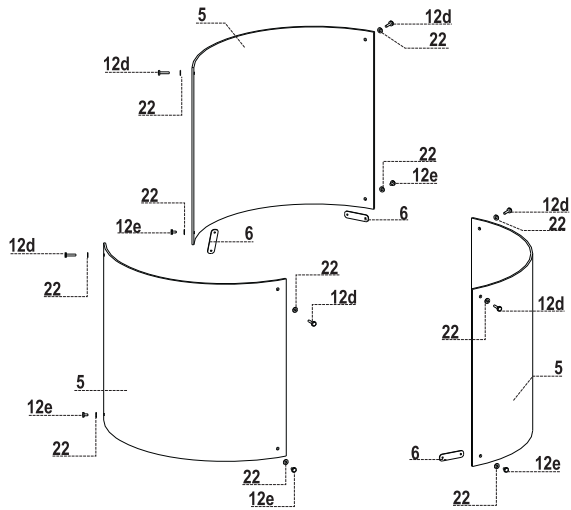
## PIÈCES PRINCIPALES - PLAFONNIER OCEANA-SH





# PIÈCES PRINCIPALES

## PIÈCES PRINCIPALES - PLAFONNIER VANILLA-SH



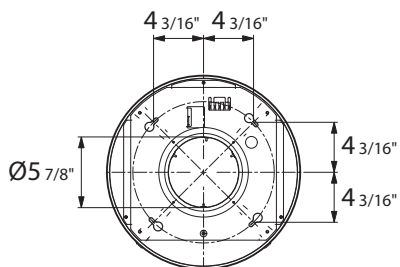
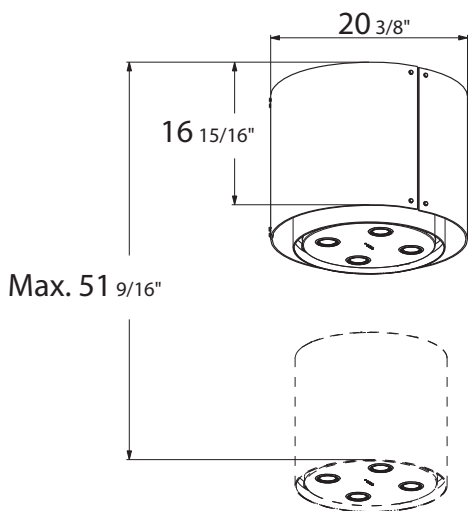
### Composants

Réf.	Qté	Composants du produit
5	3	Verre
6	3	Plaques de fixation verre
6	6	Ampoules DEL G9

Réf.	Qté	Composants d'installation
12d	6	Vis
12e	6	Vis
22	12	Rondelles de caoutchouc

# DIMENSIONS DE LA HOTTE

## PIÈCES PRINCIPALES - PLAFONNIER VANILLA-SH

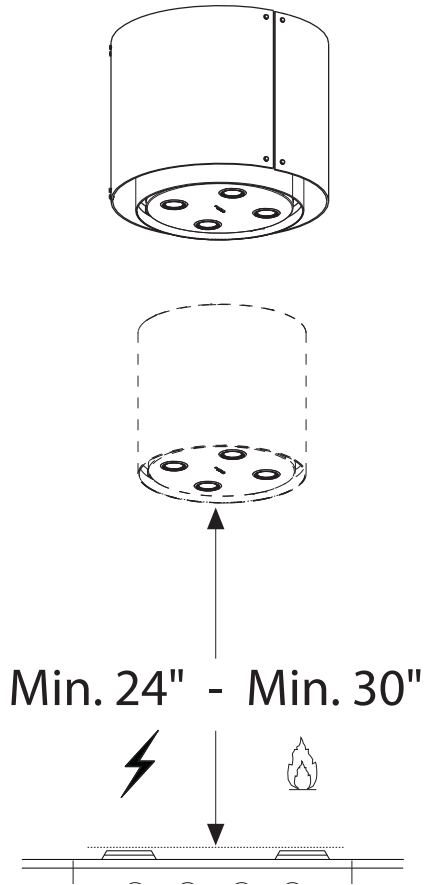


## INSTALLATION

Cette hotte est conçue pour être montée au plafond, en mode recyclage uniquement.

L'installation de cette hotte doit respecter les écarts ci-dessous :

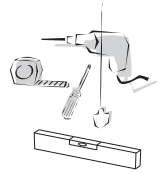
- Hotte (remontée et descendue) : au moins 24" de la surface de cuisson (électrique) et 30" de la surface de cuisson (au gaz).
- Plafonnier : 40" des surfaces de cuisson électriques ou au gaz.



## Séquence des opérations : installation

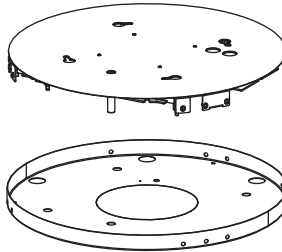
Préparation en vue de l'installation :

- Perçage des orifices dans le plafond et installation de la plaque de suspension
- Branchements
- Installation du bâti de la hotte
- Essai de fonctionnement
- Élimination de l'emballage.



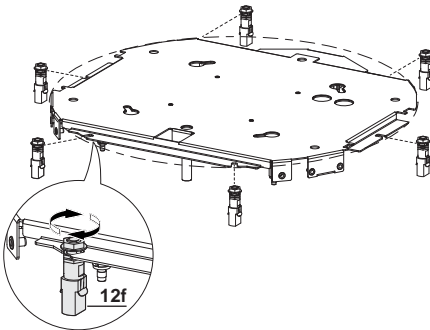
### Montage du cliquet de fin de course

1

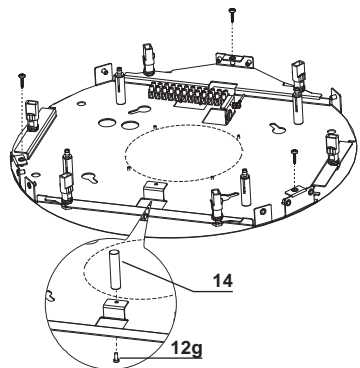


1.1

1.2

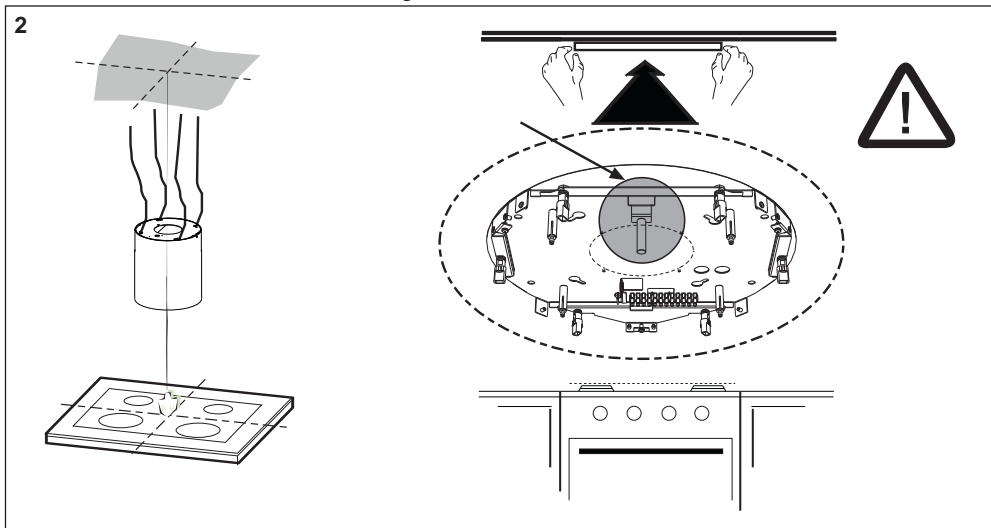


1.3



- Dévissez les 3 vis qui retiennent ensemble les parties de la plaque (formes ou dimensions variables) à l'aide de la clé fournie.
- Insérez les douilles de lampe (**12f**) à l'emplacement indiqué sur la Figure 1.2, et fixez-les à l'aide des écrous.
- Prenez le cliquet (**14**) et, en utilisant la vis (**12g**) fournie, fixez-le à la plaque sur l'étrier, à l'endroit indiqué sur la Figure 1.3.
- Serrez la vis fixant les douilles des ampoules sur l'étrier de façon à maintenir ce dernier entre les 2 rondelles.

## Perçage du plafond et installation de la plaque PERÇAGE DU PLAFOND

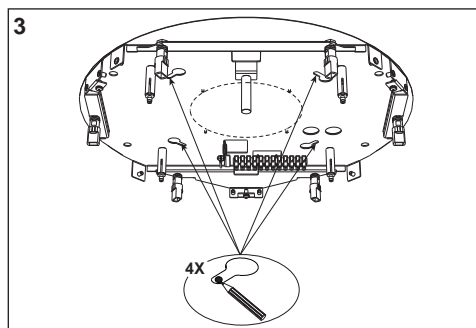


En utilisant un fil à plomb, marquez sur le plafond l'emplacement du centre de la surface de cuisson.

- Appuyez la plaque contre le plafond, en vous assurant que le cliquet de fin de course installé se trouve face à l'installateur et la surface de cuisson (ne pas confondre le cliquet de fin de course avec les 4 autres utilisés pour fixer les câbles en acier servant au déplacement de la hotte).
- Marquez sur le plafond l'emplacement du centre des trous de la plaque.
- Percez les points suivants :
- Plafond en béton massif : en fonction des chevilles pour béton utilisées.
- Plafond en briques creuses avec épaisseur résistante de 13/16" : percez un trou de  $\varnothing$  3/8" (insérez des chevilles - non fournies).
- Étagère en bois avec épaisseur résistante de 9/16" : percez un trou  $\varnothing$  4/16".

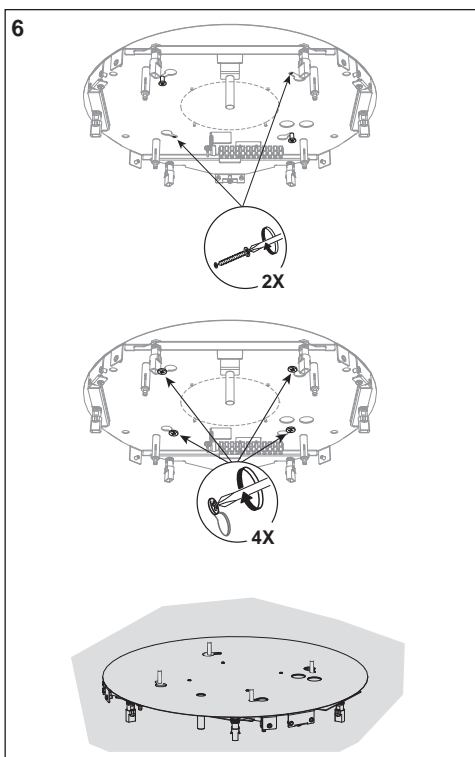
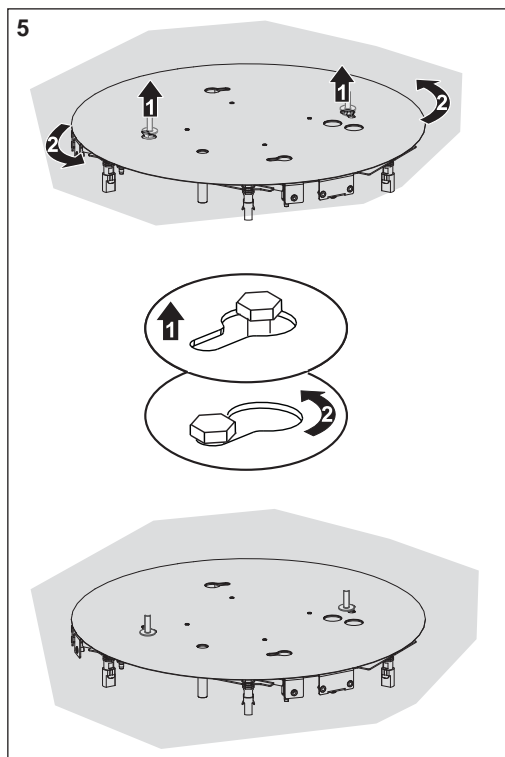
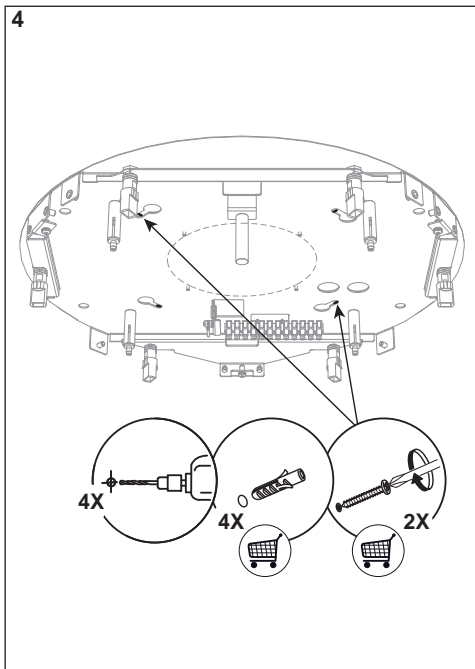
Posez deux vis à l'opposé l'une de l'autre en laissant une distance de 3/16" entre la vis et le plafond:

- pour béton massif, chevilles pour béton, non fournies.
- pour briques creuses avec une épaisseur de résistance d'environ 13/16", vis non fournies.
- pour poutres en bois, vis pour bois, non fournies.
- pour étagères en bois, vis avec rondelles et écrous, non fournis.

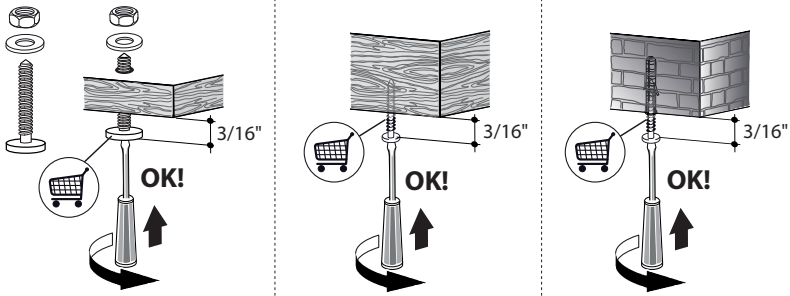


## MISE EN PLACE DE LA PLAQUE

- Soulevez la plaque de fixation en vous assurant que le cliquet de fin de course est positionné frontalement.
- Emboîtez les fentes sur les deux vis posées précédemment au plafond et tournez jusqu'à ce qu'elles se trouvent au centre du trou de réglage.
- Serrez complètement les deux vis et posez les deux autres vis fournies. Avant de serrer complètement les vis, vous pouvez effectuer des réglages en tournant la pièce, en vous assurant que les vis ne sortent pas du trou de réglage.
- La fixation doit être sûre, tant en raison du poids de la hotte que des contraintes provoquées par les pressions latérales subies occasionnellement par l'appareil quand il est en place. Lorsque l'appareil aura été fixé, vérifiez que la plaque est stable.
- Dans tous les cas où le plafond n'est pas suffisamment solide au point de suspension, l'installateur doit le renforcer à l'aide de plaques et de contreplaques adéquates, ancrées à des pièces structurelles solides.



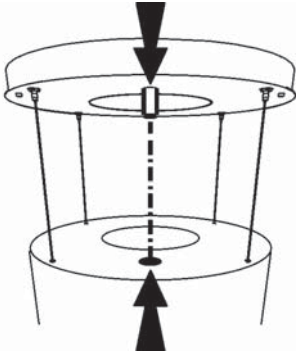
7



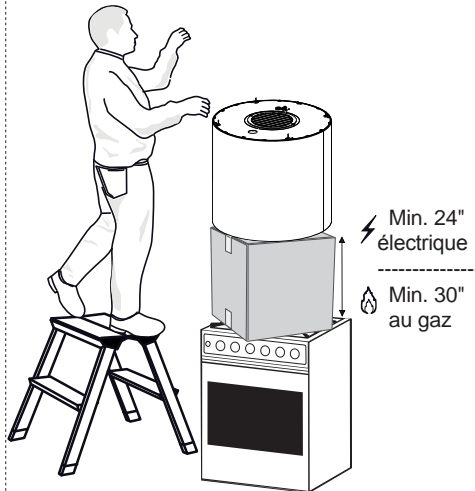
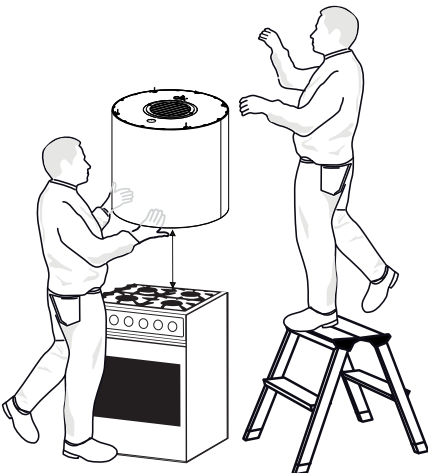
Utilisez uniquement des vis et de petites pièces pour soutenir la hotte.

**Avvertissement :** Toute installation de vis ou de dispositifs de fixation qui n'est pas conforme aux présentes instructions pourrait entraîner des risques électriques.

8




La distance minimale entre la hotte et la surface de cuisson doit être respectée.



## CONNEXION DES CÂBLES ENTRE LA PLAQUE ET LA HOTTE

**N.B. :** Avant de continuer l'installation, il est nécessaire d'amener la hotte à une distance d'au moins 24" de la surface de cuisson, si elle est électrique, et d'au moins 30" si elle est au gaz. Utilisez un soutien ou faites appel à une autre personne.

 Cette précaution est essentielle, puisque les câbles de la hotte devront être branchés à la plaque fixée au plafond, sans que le poids de la hotte pèse sur la structure.

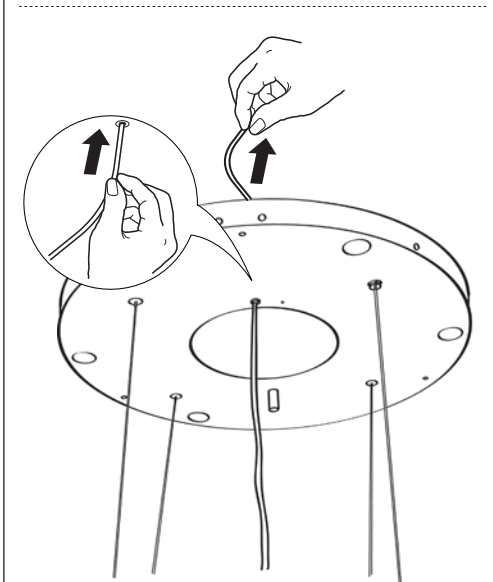
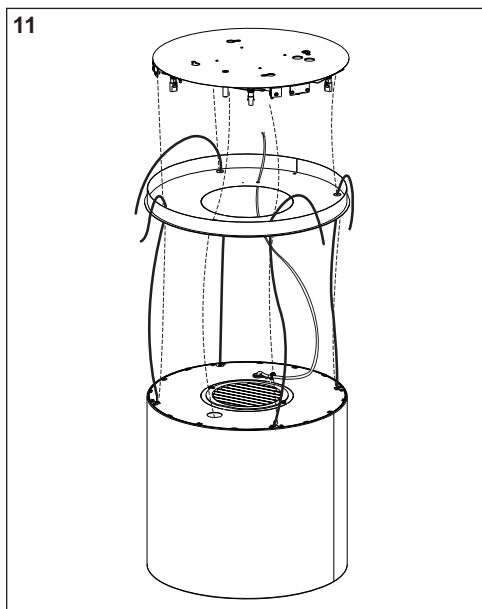
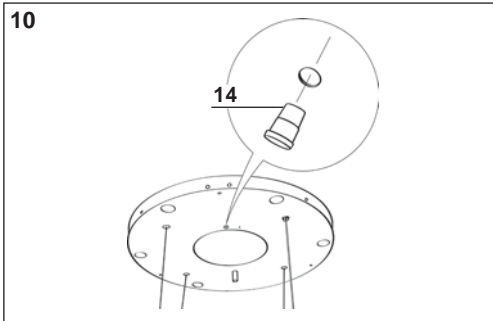
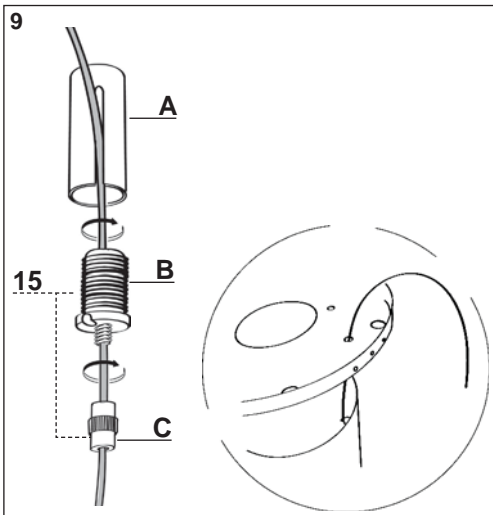
Le système de fixation des câbles est formé de 3 parties :

- cliquets filetés (a), qui sont déjà montés sur la plaque au plafond;
- vis serre-câbles (b) fournies (15);
- boutons de sécurité (c) fournis (15).

• Faites passer les câbles branchés au corps de la hotte dans leur trou respectif sur le couvercle de la plaque, après l'avoir démonté.

• Insérez la canalisation électrique (14) dans l'ouverture sur le couvercle de la plaque et faites-y passer le câble d'alimentation de la hotte.

**Avertissement :** Prenez soin de ne pas briser ou enlever le serre-câble qui fixe le câble d'alimentation sur la hotte.

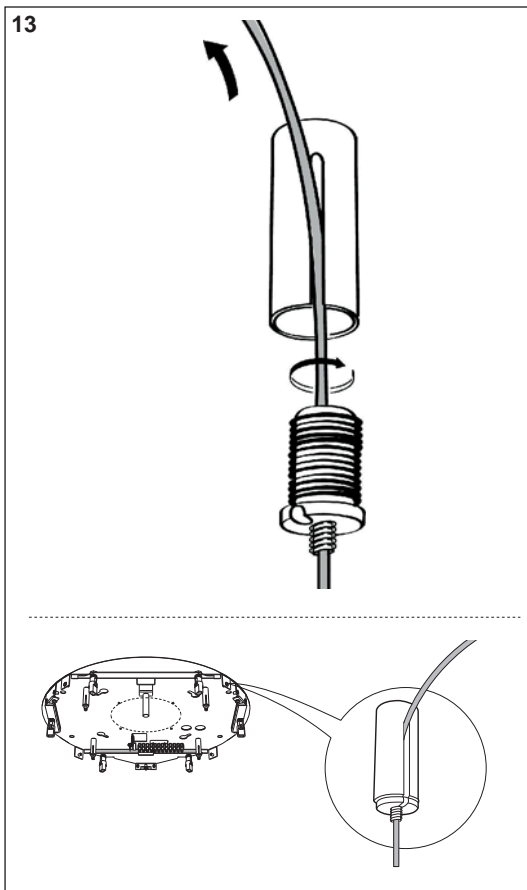
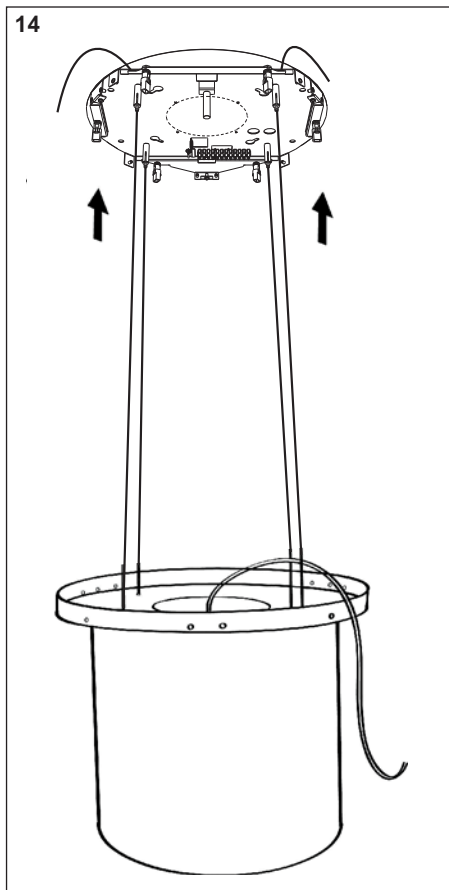
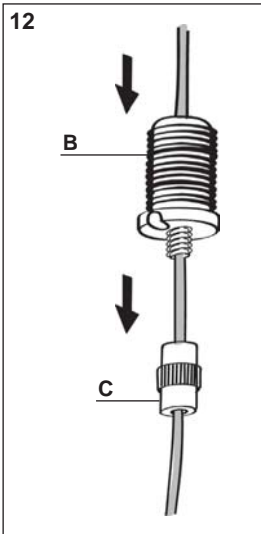




- Faites passer les câbles dans les boutons de sécurité (c) en vous assurant que le filetage est orienté vers le haut (Fig.12).
- Faites passer les câbles dans les vis serre-câbles (b) (Fig.12).
- Faites passer les câbles dans les fentes des cliquets filetés (a) et vissez les vis serre-câbles (b) sur les cliquets (Fig.13).
- Quand l'opération est terminée, le résultat doit être similaire à ce qui est représenté à la figure (Fig.14) pour les 4 câbles.
- Les 4 câbles sont alors connectés à la plaque.

Tendez bien les câbles en les poussant vers le haut, de façon à ce qu'ils coulisent à l'intérieur de la vis serre-câble et en dehors de la fente du cliquet fileté. Cela est possible puisque la vis serre-câble comporte un système qui, s'il est monté correctement, permet au câble de coulisser dans une seule direction à l'intérieur, sans qu'il puisse glisser dans l'autre direction.

Attention, les câbles ont tous la même longueur pour faciliter la mise à niveau finale. Le câble avant gauche ne doit pas être plus lâche que les autres.



## MISE À NIVEAU DE LA HOTTE

• Le corps mobile de la hotte doit être mis à niveau pour permettre le fonctionnement correct du mouvement.

• Les cliquets de sécurité sont utilisés pour mettre la hotte à niveau.

• Placez un niveau à bulle d'air sur la hotte.

• Quand vous exercez une pression vers le haut sur les boutons de sécurité, le mouvement de la hotte est « débloqué ». Vous pouvez régler le niveau du bâti mobile de la hotte en insérant ou en extrayant le câble de la vis serre-câble.

• Lorsque la hotte est à niveau, les boutons de sécurité doivent être de nouveau serrés.

### Avertissement :

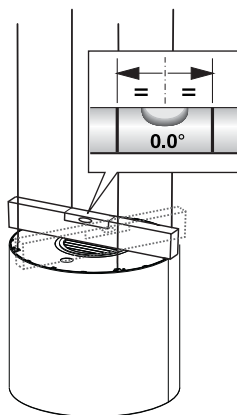
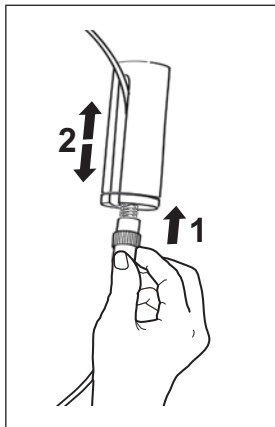
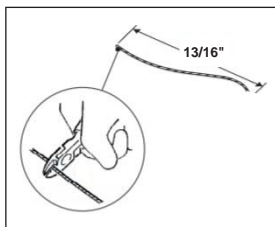
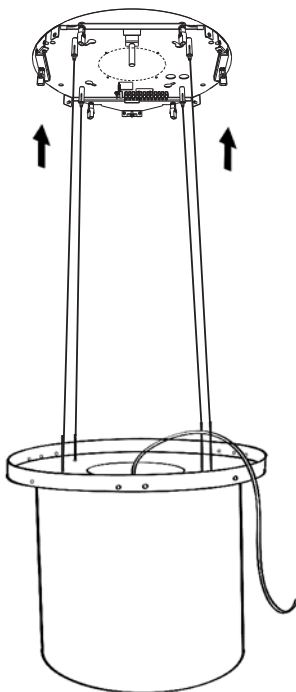
• Veuillez vous assurer que les 4 câbles sont tendus.

• Veuillez vous assurer qu'aucun des 4 câbles n'a été endommagé durant l'installation.

• Coupez l'excédent de chaque câble. L'excédent devrait être inférieur à 13/16".

• N'oubliez pas que la distance minimale entre la hotte et le plan de cuisson doit être de 24" s'il s'agit d'une surface de cuisson électrique, et de 30" s'il s'agit d'une surface de cuisson au gaz.

15



## Branchements

### Sans canalisation, avec recyclage uniquement

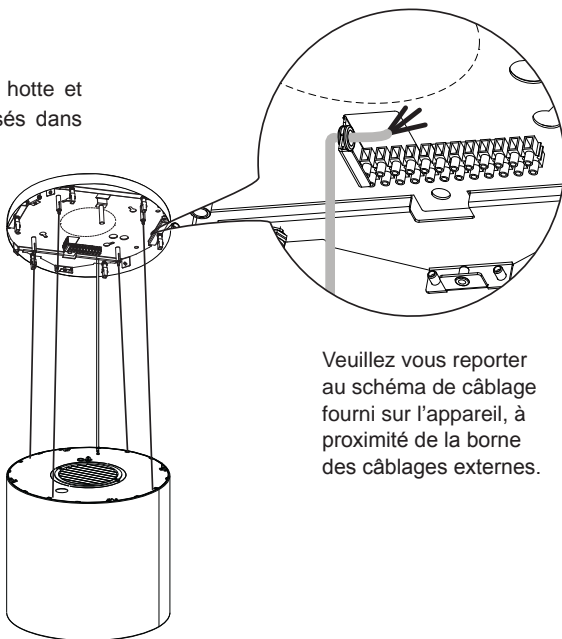
• Ouvrez le système d'éclairage en tirant sur l'encoche prévue à cet effet.

• Retirez les filtres à graisse.

• Assurez-vous que les filtres à charbon actif anti-odeur sont bien en place.

## BRANCHEMENT DU CÂBLE D'ALIMENTATION ÉLECTRIQUE DE LA HOTTE

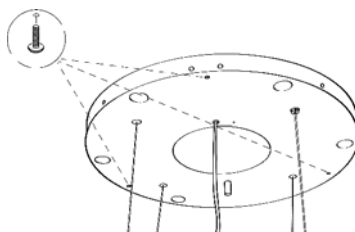
- Prenez le câble d'alimentation de la hotte et branchez son extrémité aux fils exposés dans l'étrier.
- Branchez la hotte au réseau d'alimentation électrique, en insérant un interrupteur bipolaire présentant une ouverture des contacts d'au moins 3 mm.
- Retirez les filtres à graisse (consultez le paragraphe « Maintenance ») et assurez-vous que le câble d'alimentation est correctement branché à la prise du ventilateur d'aspiration.
- Il est alors possible de brancher la hotte et le plafonnier à l'alimentation électrique en utilisant leurs câbles d'alimentation respectifs.



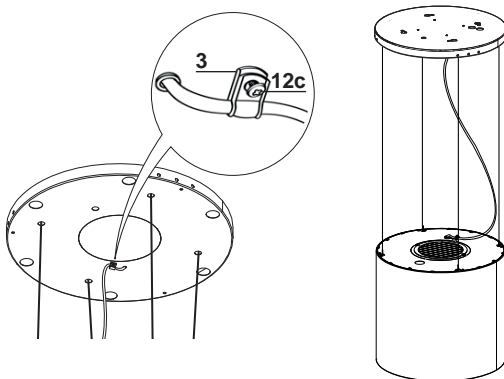
Veuillez vous reporter au schéma de câblage fourni sur l'appareil, à proximité de la borne des câblages externes.

## INSTALLATION DU COUVERCLE DE LA PLAQUE

- Fermez le couvercle de la plaque à l'aide des 3 vis enlevées précédemment et de la clé fournie.



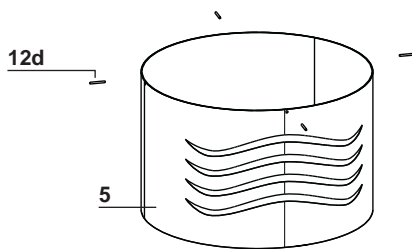
- Prenez le serre-câble **3** fourni.
- Insérez le câble d'alimentation dans le serre-câble **3** et vissez-le à la plaque avec une des vis **12c** fournies.
- Vérifiez enfin si le câble d'alimentation est bien verrouillé, en vous assurant que lorsque le corps mobile monte vers le plafond, il se positionne au-dessus du dispositif mobile et ne dépasse pas le bord de la hotte.



## INSTALLATION DU VERRE

### OCEANA-SH

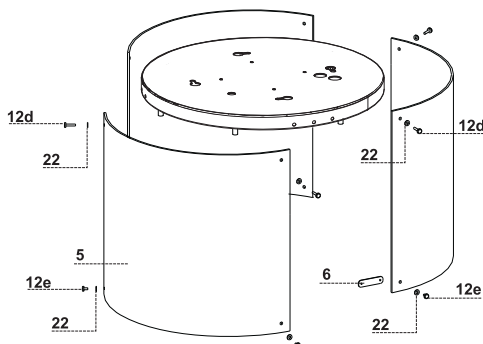
- Prenez les ampoules DEL G9 et insérez-les dans les douilles.
- Elles ne doivent pas être vissées, mais simplement insérées à fond.
- Posez l'abat-jour métallique **5** sur la plaque à l'aide des boutons de fixation **12d**.



## INSTALLATION DU VERRE

### VANILLA-SH

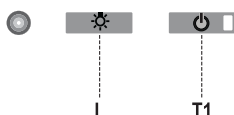
- Prenez les ampoules DEL G9 et insérez-les dans les douilles.
- Elles ne doivent pas être vissées, mais simplement insérées à fond.
- Posez le verre **5** sur la plaque en utilisant les vis **12d** et des rondelles **22** sur la partie supérieure.
- Assemblez les éléments de verre ensemble en posant au bas les plaques de fixation du verre **6** à l'aide des vis **12e** et de rondelles **22**.



## PANNEAU DE COMMANDE

### Pour de meilleurs résultats

Activez la hotte quelques minutes avant de commencer à cuisiner pour créer un flux d'air adéquat. Laissez la hotte fonctionner quelques minutes après avoir fini de cuisiner pour absorber toute la fumée et les odeurs de la cuisine.



Bouton	Fonction	Affichage
L	Allume/Éteint l'éclairage.	-
T1	<b>Hotte descendue / déployée</b> Appuyez pendant 2 secondes pour soulever la hotte. Appuyez brièvement pour allumer/éteindre le moteur.	On/Off.
	<b>Hotte près du plafond</b> Appuyez une fois : la hotte baisse. Appuyez une deuxième fois : la hotte arrête. À la fin du mouvement, le moteur démarre à la vitesse 2.	On/Off.

**Avertissement :** Les commandes de la hotte commandent uniquement les fonctions de la hotte. L'alimentation électrique de l'éclairage et son interrupteur sont complètement séparés.

### LE SYSTÈME DE COMMANDE ÉLECTRONIQUE RECONNAÎT ET SIGNELE DEUX TYPES D'ERREURS.

DEL T1	
<b>Clignotement lent</b>	<b>Dépassement du seuil d'absorption de courant :</b> En cas de surcharge, l'erreur est signalée par le clignotement toutes les 2 secondes du témoin DEL T1 situé sur le clavier. Assurez-vous que rien n'entrave le mouvement normal de la hotte. Ce signal demeure actif jusqu'à ce qu'une nouvelle commande « ouverture/fermeture » de la hotte soit transmise.
<b>Clignotement rapide</b>	<b>Déclenchement du microcontact de sécurité en ouverture :</b> Si le microcontact de sécurité est déclenché, l'erreur est signalée par le clignotement rapide du témoin DEL T1 (toutes les 250 ms). Cela signifie que la hotte a dépassé le microcontact. <b>Contactez le soutien technique!</b> Il est possible de continuer d'utiliser les fonctions d'éclairage et le moteur de la hotte quand cette erreur est active. Lorsque le moteur est activé, le témoin DEL T1 continuera de clignoter pour indiquer que l'erreur est toujours présente.

## TÉLÉCOMMANDE





Il est possible de commander l'appareil à l'aide d'une télécommande alimentée par des piles alcalines carbone/zinc 1,5 V du type standard LR03-AAA (non incluses).

- Ne déposez pas la télécommande à proximité de sources de chaleur.
- Les piles usées doivent être éliminées de façon adéquate.



## Panneau de commande

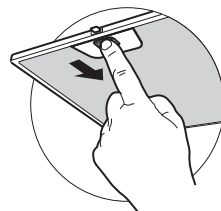


Bouton	Fonction	Affichage
	Allume/Éteint le moteur. <b>Hotte fermée :</b> - Appuyez brièvement sur le bouton pour que la hotte commence à descendre. - Le mouvement arrêtera lorsque vous appuierez de nouveau sur le bouton. À la fin du mouvement, le moteur démarre à la vitesse 2. <b>Hotte ouverte :</b> - Tenez enfoncé pendant 2 secondes pour lancer le mouvement de remontée de la hotte, qui s'arrête quand la hotte atteint la butée. - Appuyez (brièvement) pour interrompre le mouvement (avant d'atteindre la butée). - Appuyez de nouveau brièvement pour allumer/éteindre le moteur. - Tenez enfoncé pendant 2 secondes pour lancer le mouvement de remontée de la hotte. - Si le moteur est en marche, il s'arrêtera avant le début du mouvement.	- - -
<b>+</b>	Augmente la vitesse du moteur.	-
<b>-</b>	Diminue la vitesse du moteur.	-
	<b>VITESSE INTENSIVE</b> - Cette fonction peut être activée uniquement quand la hotte est descendue et que les fonctions « Temporisation » et « 24 h » ne sont pas actives. - Permet de passer à la vitesse intensive depuis n'importe quelle autre vitesse. Pour la désactiver, appuyez de nouveau sur le bouton ou éteignez le moteur. - La vitesse intensive est programmée pour fonctionner pendant 6 minutes. Après 6 minutes, le système retournera automatiquement à la vitesse sélectionnée précédemment.	Le témoin DEL sur le bouton du moteur (sur les commandes de la hotte) clignotera à intervalles d'une seconde.
	<b>Appuyez brièvement pour activer la fonction « Temporisation » :</b> Cette fonction peut être activée uniquement quand les fonctions « Vitesse intensive » ou « 24 h » ne sont pas actives. Active et désactive l'arrêt complet de la hotte (moteur et éclairage) après 30 minutes : Pour désactiver la fonction Temporisation, appuyez de nouveau sur le bouton ou éteignez le moteur. <b>Tenez enfoncé pendant 2 secondes pour activer la fonction « 24 h » :</b> Cette fonction peut être activée uniquement quand les fonctions « Vitesse intensive » ou « Temporisation » ne sont pas actives. Active et désactive la fonction « 24 h » pendant 10 minutes par heure, pendant 24 heures. La fonction est désactivée après cette période.	Le témoin DEL sur le bouton du moteur (sur les commandes de la hotte) clignotera à intervalles de 0,5 seconde. Le témoin DEL sur le bouton du moteur (sur les commandes de la hotte) clignotera à intervalles de 2 secondes.
	Allume/Éteint l'éclairage de la hotte.	-

# MAINTENANCE

## FILTRE À GRAISSE

Le filtre doit être nettoyé tous les 2 mois d'utilisation, ou plus fréquemment en cas d'utilisation particulièrement intensive. Il peut être lavé dans le lave-vaisselle.



## NETTOYAGE DU FILTRE À GRAISSE MÉTALLIQUE AUTOPORTANT

- Ouvrez le système d'éclairage en tirant sur l'encoche.
- Retirez les filtres un à un en les poussant vers l'arrière de la hotte tout en tirant simultanément vers le bas.
- Lavez le filtre en évitant absolument de le plier. Assurez-vous qu'il est complètement sec avant de le remonter.
- Quand vous remontez le filtre dans la hotte, assurez-vous qu'il est correctement positionné, avec la poignée tournée vers l'extérieur.
- Refermez le système d'éclairage.

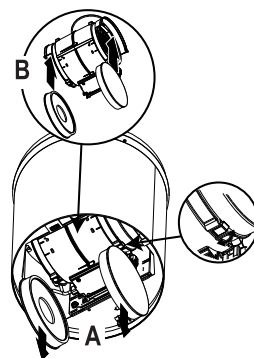
---

## FILTRE À CHARBON ACTIF

Il n'est pas possible de laver ou de régénérer ce filtre. Il doit être changé à peu près tous les 4 mois, ou encore plus fréquemment en cas d'utilisation particulièrement intensive.

### REMPACEMENT

- Ouvrez le système d'éclairage.
- Retirez le filtre à graisse.
- Retirez les filtres à charbon actif saturés comme indiqué (A).
- Posez les nouveaux filtres, comme indiqué (B).
- Posez le filtre anti-graisse et remettez le système d'éclairage en place.



---

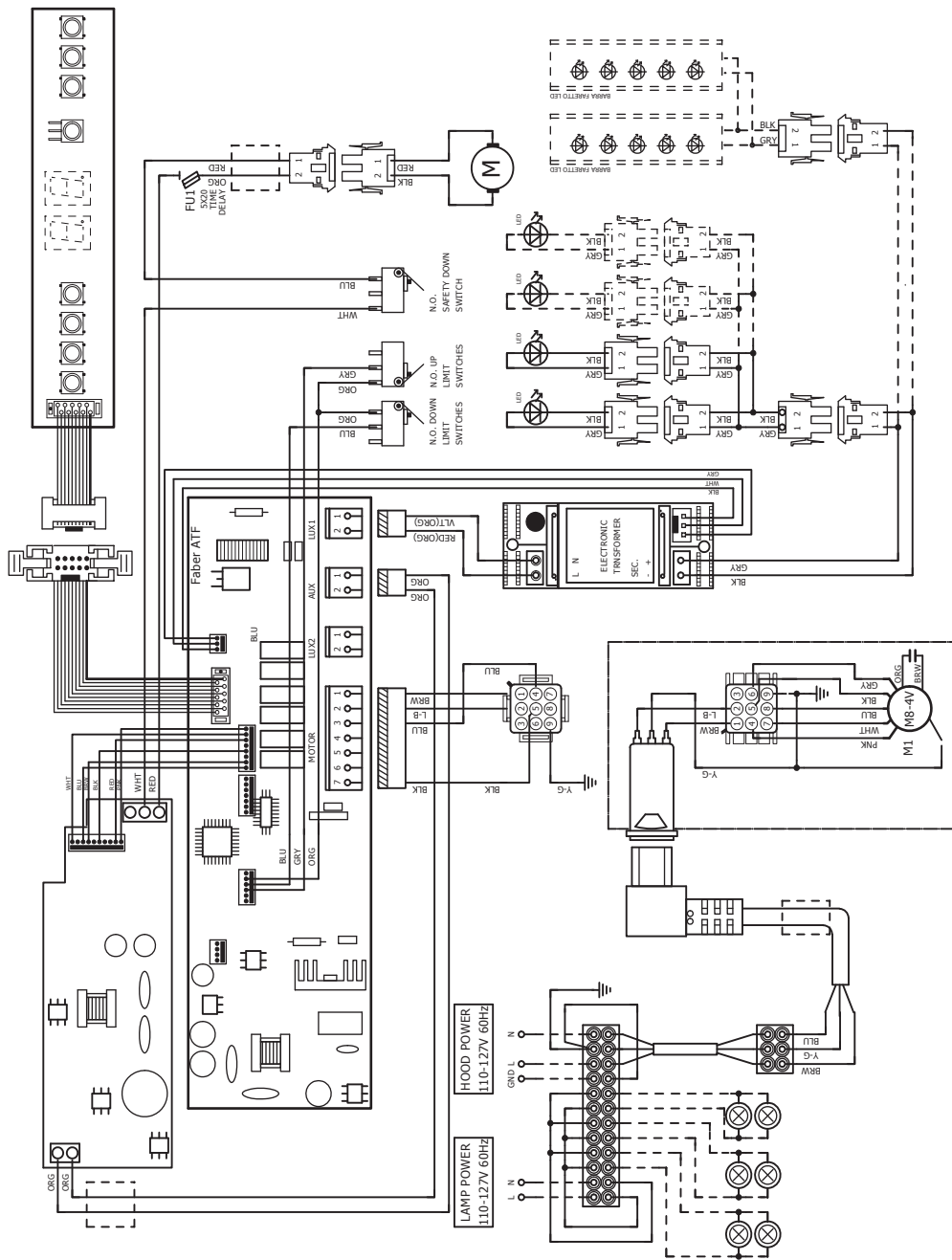
## ÉCLAIRAGES DE LA HOTTE

- Pour tout remplacement, communiquez avec le soutien technique (« pour tout achat, communiquez avec le soutien technique »).

## PLAFONNIER

- Lampes DEL à ballast intégré de type G9 – répondant à la norme UL 1993/nmx-j-578/1-ance/csa c22.2 No 1993
- Remplacez la lampe avec une nouvelle du même type, en vous assurant d'insérer correctement les deux connecteurs dans leur logement sur le socle.

# Schéma de câblage







## GARANTIE LIMITÉE ET SERVICE FABER

Tous les produits Faber font l'objet d'une garantie contre les défauts de matériel et de main-d'œuvre, accordée à l'acheteur original pour une période d'un (1) an à compter de la date d'achat initiale (preuve d'achat requise). Cette garantie couvre les frais de main-d'œuvre et les pièces de rechange. À sa discrétion, Faber peut réparer ou remplacer le produit ou les composants nécessaires à remettre le produit en bon état de marche. Pour bénéficier de services prévus par la garantie, veuillez communiquer avec le détaillant auprès duquel vous avez acheté la hotte de cuisine, ou encore avec le distributeur Faber de votre région. Si vous n'êtes pas en mesure de localiser un distributeur Faber dans votre région, veuillez communiquer avec nous au 508-358-5353 pour connaître le nom d'un distributeur à proximité.

### Les éléments suivants ne sont pas visés par la garantie Faber :

1. Les appels au service de réparation visant à corriger l'installation de la hotte de cuisine, à recevoir des instructions sur l'utilisation de la hotte de cuisine, le remplacement ou la réparation des fusibles du domicile ou la correction des câblages ou de la plomberie du domicile.
2. Les appels au service de réparation visant à réparer ou remplacer les ampoules électriques de hotte, les fusibles ou les filtres. Ces pièces consommables ne sont pas couvertes par la garantie.
3. Les réparations si votre hotte de cuisine est employée à des fins autres que celles prévues, soit l'utilisation résidentielle normale pour une famille.
4. Les dommages découlant d'un accident, d'une modification, de l'utilisation incorrecte ou abusive, d'un incendie, d'une inondation, d'un cas de force majeure, d'une installation inadéquate, d'une installation non conforme aux codes en matière d'électricité ou de plomberie ou à la documentation fournie par Faber, ou encore d'une utilisation du produit non approuvée par Faber.
5. Les frais de main-d'œuvre ou de remplacement des pièces pour les appareils utilisés à l'extérieur des États-Unis ou du Canada, y compris toutes les hottes de cuisine Faber non-UL ou C-UL homologuées.
6. Les réparations à la hotte découlant de modifications non autorisées apportées à la hotte de cuisine.
7. Les frais encourus pour les déplacements et le transport de produits en région éloignée et les frais de cueillette et livraison. La réparation des hottes de cuisine Faber doit être réalisée à domicile.

LA PRÉSENTE GARANTIE NE PRÉVOIT AUCUNE FORME DE DÉDOMMAGEMENT EN CAS DE DOMMAGES ACCESSOIRES OU CONSÉCUTIFS, Y COMPRIS, SANS TOUTEFOIS S'Y LIMITER, LES DOMMAGES DIRECTS, INDIRECTS, ACCESSOIRES, PARTICULIERS OU CONSÉCUTIFS, LES LÉSIONS CORPORELLES/MORTELLES OU LA PERTE DE PROFITS. LA GARANTIE OFFERTE PAR FABER EST LIMITÉE AUX CONDITIONS ÉNONCÉES CI-DESSUS ET À LA PÉRIODE DE GARANTIE INDIQUÉE DANS LES PRÉSENTES ET EST EXCLUSIVE. SAUF DISPOSITIONS EXPRESSES CONTRAIRES DANS LE PRÉSENT ACCORD, FABER DÉCLINE TOUTE CONDITION, REPRÉSENTATION OU GARANTIE EXPLICITE OU IMPLICITE, Y COMPRIS, SANS TOUTEFOIS S'Y LIMITER, TOUTE GARANTIE IMPLICITE DE QUALITÉ MARCHANDE OU D'ADAPTATION À UN USAGE PARTICULIER.

Les droits qui vous sont conférés en vertu de la présente garantie peuvent varier d'une province ou d'un État à l'autre.

N° de modèle : \_\_\_\_\_ N° de série : \_\_\_\_\_

4 janvier 2016

# LEA Y GUARDE ESTAS INSTRUCCIONES ANTES DE EMPEZAR LA INSTALACIÓN DE ESTA CAMPANA

**ADVERTENCIA: - PARA REDUCIR EL RIESGO DE INCENDIO DE GRASA:**

- A) Nunca deje las unidades de superficie desatendidas en los ajustes altos. Los derrames por ebullición pueden causar humos y derrames de grasa que pueden encenderse. Caliente los aceites lentamente en un ajuste bajo o medio.
- B) Siempre encienda la campana cuando cocine a fuego alto o al flambear alimentos (por ejemplo, Crepes Suzette, Cherries Jubilee, Peppercorn Beef Flambé).
- C) Limpie los ventiladores frecuentemente. No se debe permitir que la grasa se acumule en el ventilador o en el filtro.
- D) Utilice una cacerola de tamaño adecuado. Utilice siempre utensilios de cocina apropiados para el tamaño del elemento de superficie.

**ADVERTENCIA: - PARA REDUCIR EL RIESGO DE LESIONES A PERSONAS EN CASO DE INCENDIO DE GRASA EN LA CAMPANA, TENGA EN CUENTA LO SIGUIENTE\*:**

- A) **APAGUE LAS LLAMAS** con una tapa bien cerrada, una bandeja para galletas o una bandeja metálica, luego apague el quemador. **TENGA CUIDADO PARA EVITAR QUEMADURAS.** Si las llamas no salen inmediatamente **EVACUE Y LLAME A LOS BOMBEROS.**
- B) **NUNCA RECOGER UNA CACEROLA EN LLAMAS** - Usted puede ser quemado.
- C) **NO USE AGUA**, incluyendo toallas húmedas o toallas - se pudiera producir una violenta explosión de vapor.
- D) Use un extintor **SOLAMENTE** si:
  - 1. Usted sabe que usted tiene un extintor de la clase ABC, y sabe ya utilizarlo.
  - 2. El incendio es pequeño y está contenido en el área donde comenzó.
  - 3. Se está llamando a los bomberos.
  - 4. Usted puede luchar el fuego con la espalda dirigida hacia una salida.

\* Basado en "Consejos para luchas contra los incendios en las cocinas" publicado por NFPA

**ADVERTENCIA - PARA REDUCIR EL RIESGO DE DESCARGAS ELÉCTRICAS O INCENDIOS,** no use este ventilador con ningún dispositivo de control de velocidad de estado.

**ADVERTENCIA - PARA REDUCIR EL RIESGO DE INCENDIOS, DESCARGAS ELÉCTRICAS O LESIONES PERSONALES, OBSERVE LO SIGUIENTE:**

- 1. Utilice esta unidad sólo en la forma prevista por el fabricante. Si tiene alguna pregunta, póngase en contacto con el fabricante.
- 2. Antes de dar servicio o limpiar la unidad, desconecte la alimentación del panel de servicio y bloquee los medios de desconexión del servicio para evitar que la alimentación se conecte accidentalmente. Cuando los medios de desconexión del servicio no puedan ser bloqueados, fije firmemente un dispositivo de aviso prominente, tal como una etiqueta, al panel de servicio.

**PRECAUCIÓN:** Para uso general de ventilación solamente. No utilizar para el escape de materiales peligrosos o explosivos y vapores.

**ADVERTENCIA - PARA REDUCIR EL RIESGO DE INCENDIOS, DESCARGAS ELÉCTRICAS O LESIONES PERSONALES, OBSERVE LO SIGUIENTE:**

- 1. La instalación y el cableado eléctrico deben ser hechos por personal calificado de acuerdo con todos los códigos y estándares aplicables, incluyendo la construcción según normas anti-incendio.
- 2. Se necesita suficiente aire para la combustión y el agotamiento adecuados de los gases a través de la chimenea del equipo de combustión de combustible para evitar el contraflujo. Siga las directrices del fabricante del equipo de calefacción y las normas de seguridad tales como los publicados por la National Fire Protection Association (NFPA), la American Society for Heating, Refrigeration and Air Conditioning Engineers (ASHRAE) y las autoridades de los códigos locales.

3. **Al cortar o perforar la pared o el techo, no dañe el cableado eléctrico ni otros servicios ocultos.**
4. **Los ventiladores con conductos siempre deben tener salida al exterior.**

TODAS LAS ABERTURAS DE LA PARED Y EL PISO DONDE ESTÁ INSTALADA LA CAMPANA SE DEBEN SELLAR.

**Esta campana requiere por lo menos 24" de espacio libre entre el fondo de la campana y la superficie de cocción eléctrica o encimera y por lo menos 30" de espacio libre entre el fondo de la campana y la superficie de cocción a gas o encimera.** Esta campana ha sido aprobada por UL a esta distancia de la placa. Consulte las instrucciones de instalación de la placa de cocción o la campana proporcionadas por el fabricante antes de hacer cualquier corte.

**INSTALACIÓN EN CASA MÓVIL** La instalación de esta campana debe cumplir con las Normas de seguridad y construcción de viviendas prefabricadas, Título 24 CFR, Parte 3280 (anteriormente Norma federal para construcción y seguridad de casas móviles, Título 24, HUD, Parte 280). Vea los requisitos eléctricos.

## REQUISITOS ELÉCTRICOS

En un circuito separado de fusible de 15 amperios se requiere un suministro eléctrico de solo 120 voltios, 60 Hz CA. Se recomienda un fusible o disyuntor de retardo. El fusible debe dimensionarse según los códigos locales de acuerdo con la clasificación eléctrica de esta unidad, tal como se especifica en la placa de serie / de características situada en el interior de la unidad cerca del compartimiento de cableado de campo.

### INSTALACIÓN ELÉCTRICA CON CAJA DE CABLEADO

ESTA UNIDAD DEBE CONECTARSE SOLAMENTE CON ALAMBRE DE COBRE. Los tamaños de los cables deben cumplir con los requisitos del Código Eléctrico Nacional, ANSI / NFPA 70 - última edición, y todos los códigos y ordenanzas locales. El tamaño del cable y las conexiones deben ajustarse a las especificaciones del aparato. Se pueden obtener copias de la norma antes mencionada en:

National Fire Protection Association  
Batterymarch Park  
Quincy, Massachusetts 02269

Este aparato debe conectarse directamente a la desconexión de fusible (o disyuntor) a través de un cable de cobre flexible, blindado o no metálico. Deje un poco de holgura en el cable para que el aparato pueda moverse si es necesario realizar algún tipo de mantenimiento. En cada extremo del cable de alimentación (en el aparato y en la caja de empalmes) debe encontrarse un conector de conducto de 1/2" certificado UL.

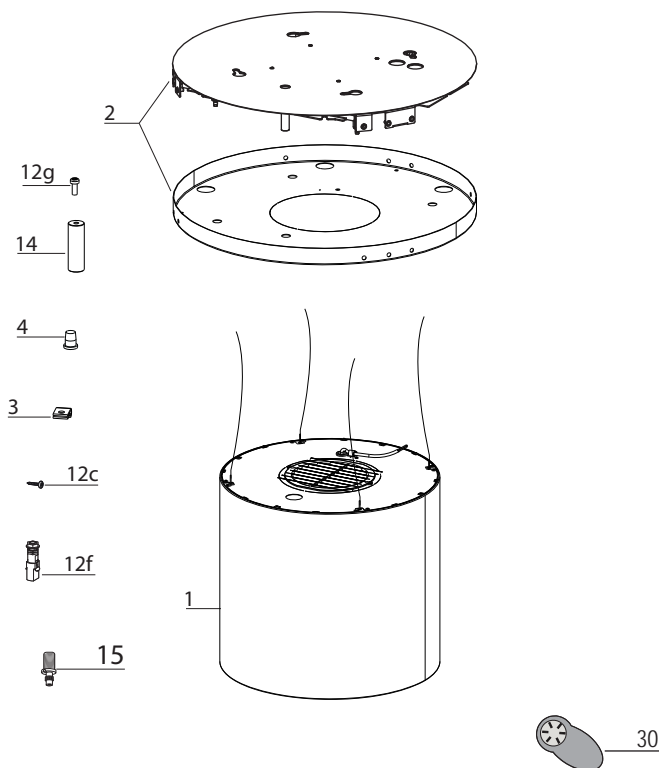
Al hacer la conexión eléctrica, realice un agujero de 1 1/4 "en la pared. Un agujero cortado a través de la madera debe ser lijado hasta que esté liso. Un agujero a través del metal debe tener un ojal.



## ADVERTENCIA

- Esta campana requiere conexión eléctrica de tierra.
- Si la tubería de agua fría está interrumpida por juntas de plástico, de materiales no metálicos u otros materiales, NO la utilice para conexión a tierra.
- NO conecte a tierra una tubería de gas.
- NO coloque un fusible en el circuito de neutro o tierra. Un fusible en el neutro o circuito de puesta a tierra podría dar lugar a una descarga eléctrica.
- Consulte con un electricista calificado si tiene dudas acerca de si la campana está correctamente conectada a tierra.
- El incumplimiento de los requisitos eléctricos puede provocar un incendio.

## PARTES PRINCIPALES ZOOMIL16SS400



### Componentes

#### Ref. Cdad. Componentes del producto

1	1	Cuerpo de la campana, completo de: Controles, Luz, Filtros, Motor.
2	1	Placa de soporte de la campana
3	1	Abrazadera de cable
4	1	Canal de cable
12f	6	Portalámparas
14	1	Trinquete
15	4	Perillas
30	1	Mando Remoto
	6	Luces LED G9

#### Ref. Cdad. Componentes del Instalación

12c	1	Tornillo 1/8" x 3/8"
12g	1	Tornillo para trinquete

#### Cdad. Componentes del Instalación

1	Manual de instrucciones
---	-------------------------

### Accesorios disponibles

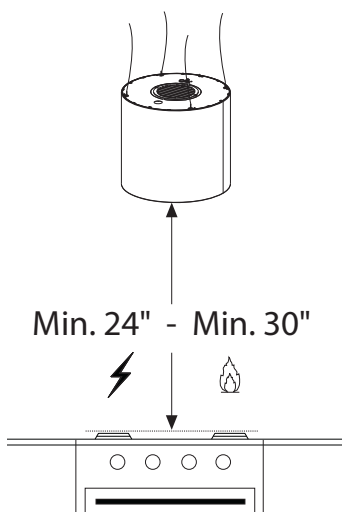
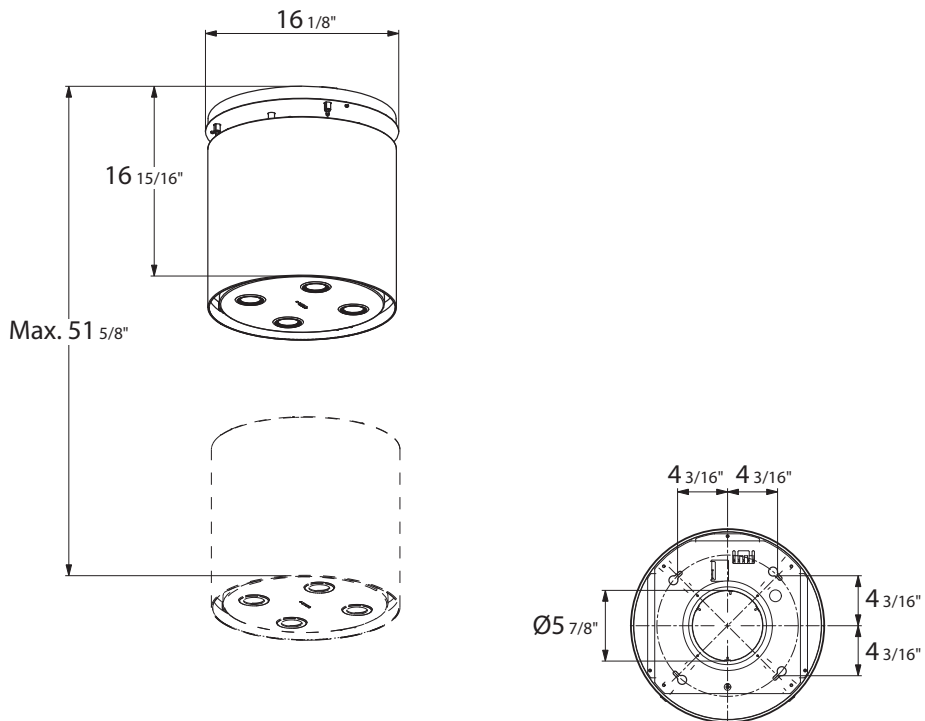
Filtro de carbón activado sku #; FILTER1



Para reducir el riesgo de incendio y descarga eléctrica use sólo FILTER1 Accesorio.

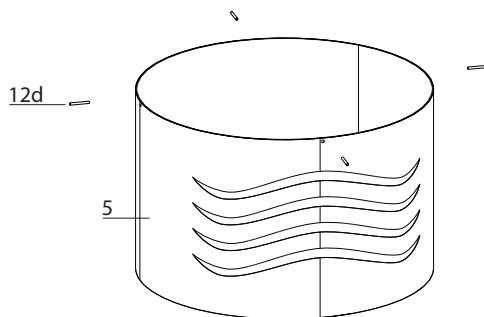
# DIMENSIONES DE LA CAMPANA

## ZOOMIL16SS400



## PARTES PRINCIPALES

### PARTES PRINCIPALES - DIFUSOR DE LUZ DE TECHO OCEANA-SH



### Componentes

#### Ref. Cdad. Componentes del producto

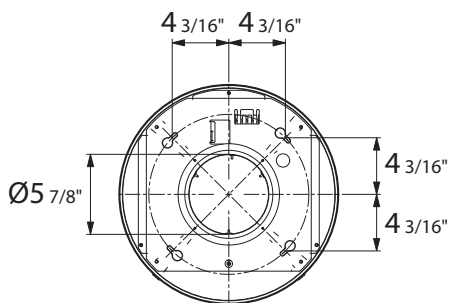
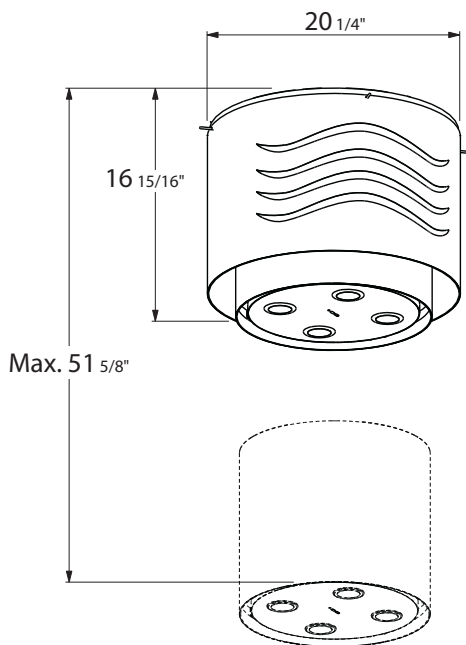
5	1	Vidrio o paneles del otro material
---	---	------------------------------------

#### Ref. Cdad. Componentes del Instalación

12d	4	Difusor de iluminación de techo cromado pasador de fijación / Tornillos
-----	---	---

# DIMENSIONES DE LA CAMPANA

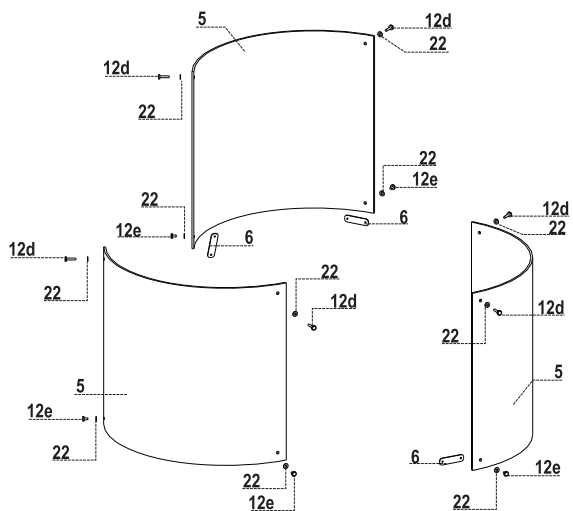
## PARTES PRINCIPALES - DIFUSOR DE LUZ DE TECHO OCEANA-SH





## PARTES PRINCIPALES

### PARTES PRINCIPALES - DIFUSOR DE LUZ DE TECHO VANILLA-SH

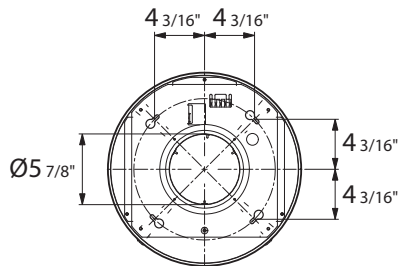
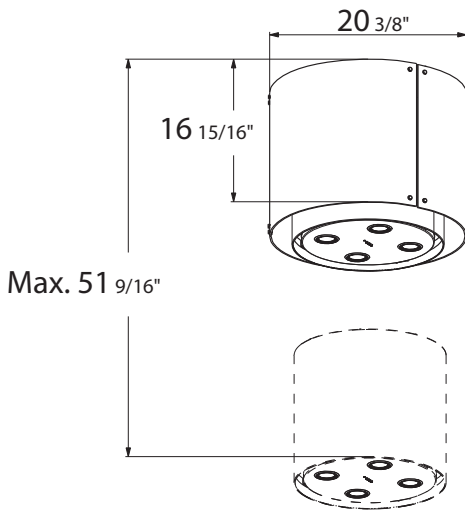


### Componentes

Ref.	Cdad.	Componentes del producto
5	3	Vidrio
6	3	Placas de fijación del vidrio
	6	Luces LED G9

Ref.	Cdad.	Componentes del Instalación
12d	6	Tornillos
12e	6	Tornillos
22	12	Arandelas de goma

**DIMENSIONES DE LA CAMPANA**  
PARTES PRINCIPALES - DIFUSOR DE LUZ DE TECHO VANILLA-SH

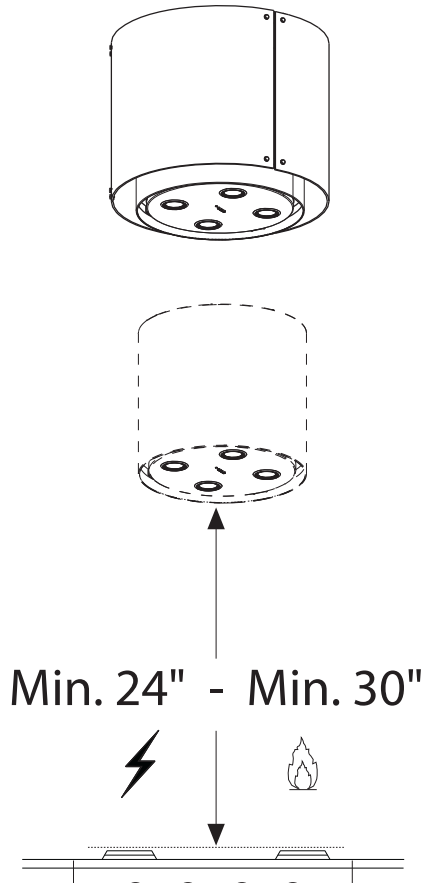


## INSTALACIÓN

Esta campana está diseñada para montarse en el techo, y en modo recirculación solamente.

Esta campana debe instalarse dentro de los límites indicados a continuación:

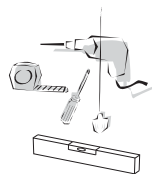
- Campana extractora (arriba y abajo): mínimo 24" en la superficie de cocción eléctrica y 30" en la superficie de cocción de gas.
- Difusor de iluminación de techo: 40" tanto en la superficie de cocción eléctrica como de gas.



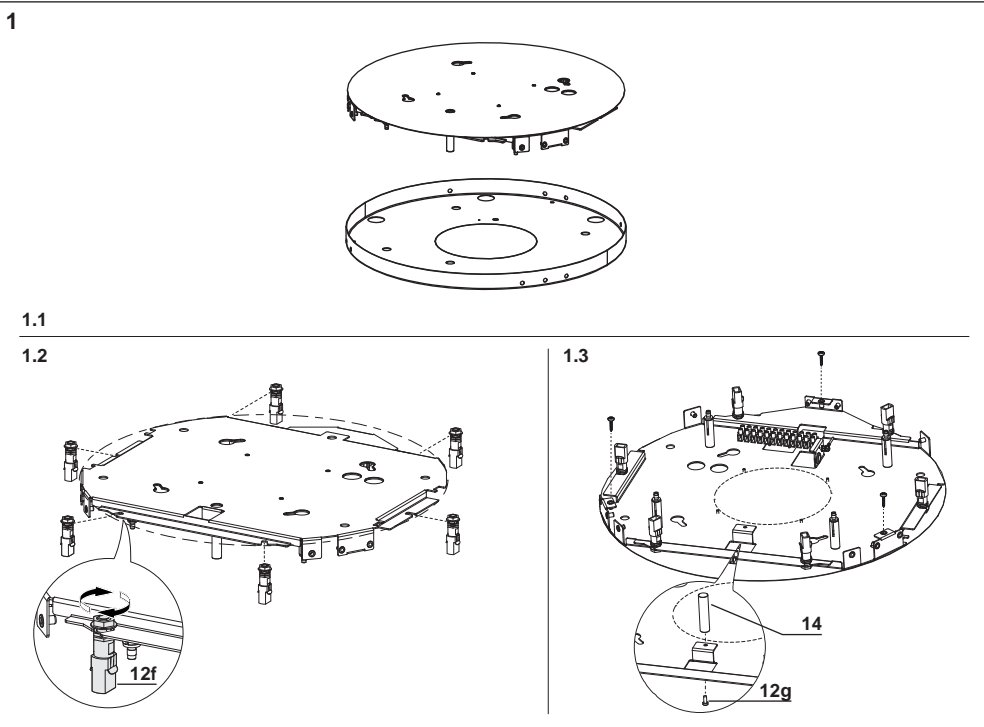
## Secuencia de operaciones - Instalación

Preparación para la instalación:

- Perforación del techo y fijación de la placa de soporte
- Conexiones
- Montaje del cuerpo de la campana
- Control Funcional
- Eliminación de envases y embalajes.



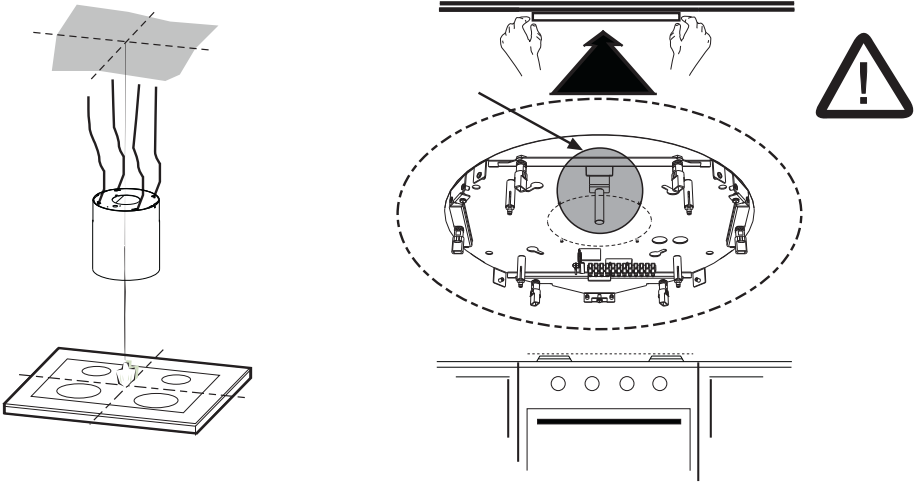
### Montaje del trinquete limitador



- Afloje los 3 tornillos que unen las partes de la placa (de diferentes formas y / o tamaños) con la llave suministrada.
- Inserte los portalámparas (**12f**) en la posición indicada en la figura 1.2 y fíjelos con las tuercas.
- Tome el trinquete (**14**) y fíjelo a la placa en el soporte en la posición indicada en la figura 1.3 utilizando el tornillo (**12g**) suministrado.
- Apriete el tornillo que fija los portalámparas al soporte, de manera que sujete este último entre las 2 arandelas.

## Taladrado de techo y fijación de placas TALADRADO DE TECHO

2

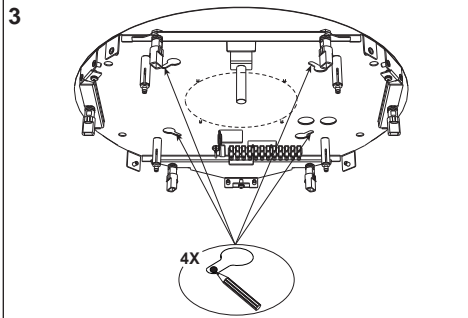


Utilice una plomada y marque el centro de la placa de cocción en el techo de soporte.

- Apoye la placa contra el techo, teniendo cuidado de mantener el trinquete de límite que acaba de colocarse en una posición orientada hacia el instalador y la placa de cocción (el trinquete de límite no debe confundirse con los otros 4 utilizados para fijar los cables de acero que mueven la campana).
- Marque en el techo las líneas centrales de los agujeros en la placa.
- Taladre los siguientes puntos:
- Techos de hormigón macizo: Según los tapones de hormigón utilizados.
- Techos de ladrillos huecos con espesor de resistencia de 13/16": Taladre un orificio de  $\varnothing$  3/8" (insertar tapones no suministrados).
- Estante de madera, con un espesor de resistencia de 9/16": taladre un orificio de  $\varnothing$  4/16".

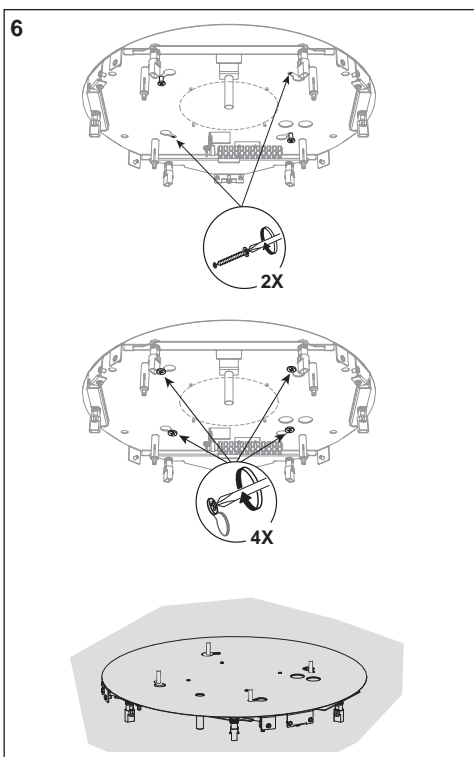
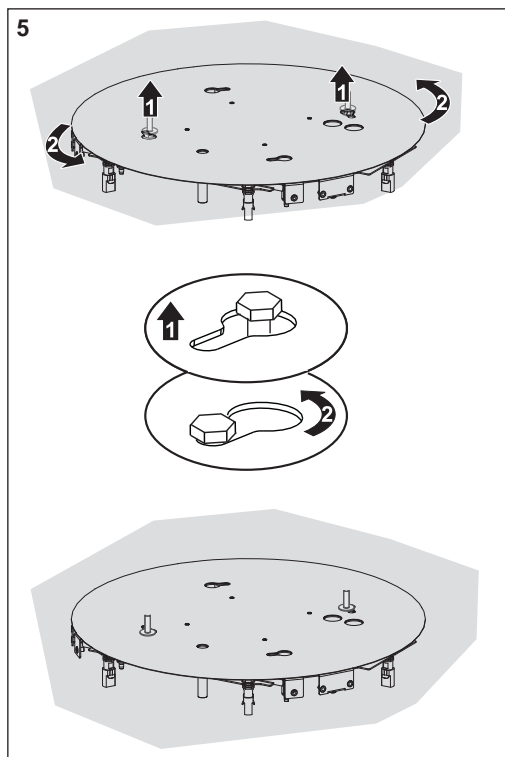
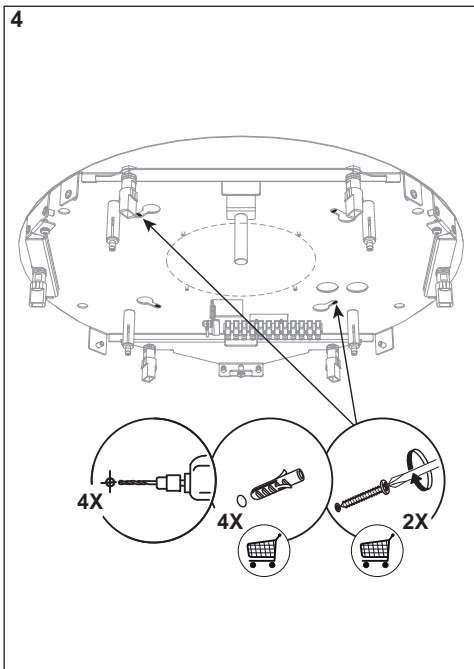
Inserte dos tornillos de las esquinas opuestas y deje 3/16" de los tornillos del techo:

- para hormigón macizo, tapones de hormigón no suministrados.
- para ladrillos huecos con aprox. 13/16 " de espesor de resistencia, tornillos no suministrados.
- para vigas de madera, tornillos para madera, no suministrados.
- para estantes de madera, tornillos con arandelas y tuercas no suministrados.

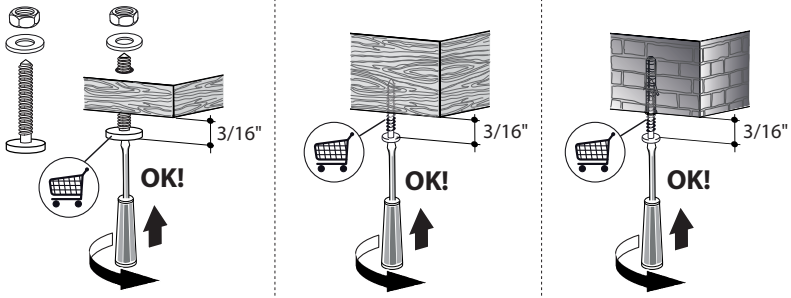


## FIJACIÓN DE LA PLACA

- Levante la placa de fijación, teniendo cuidado de asegurarse de que el trinquete de límite esté posicionado frontalmente.
- Coloque las ranuras en los dos tornillos previamente insertados en el techo y gírelos hasta que estén en el centro de la ranura de ajuste.
- Apriete los dos tornillos por completo y atornille los otros dos provistos; antes de bloquear completamente los tornillos, es posible hacer ajustes girando la pieza, asegurándose de que los tornillos no salgan de la ranura de ajuste.
- La unidad debe sujetarse con seguridad debido al peso de la campana y a la tensión causada por la presión lateral ocasional sobre el equipo cuando está en posición. Una vez fijada la unidad, asegúrese de que la placa sea estable.
- En todos los casos donde el techo no es lo suficientemente fuerte en el punto de suspensión, el técnico de instalación debe reforzarlo con placas y contraplacas adecuadas, ancladas a elementos estructuralmente sólidos.



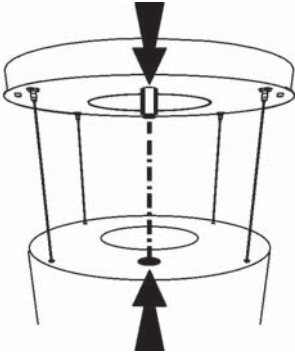
7



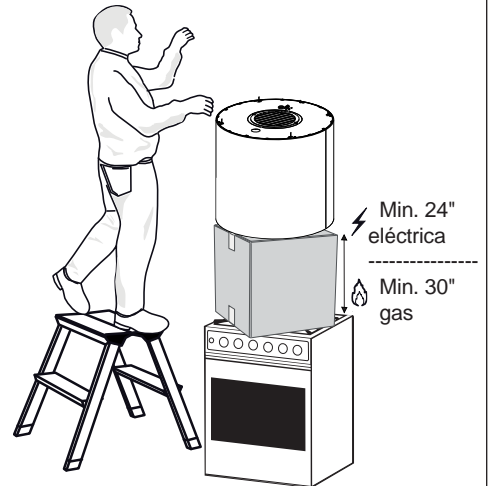
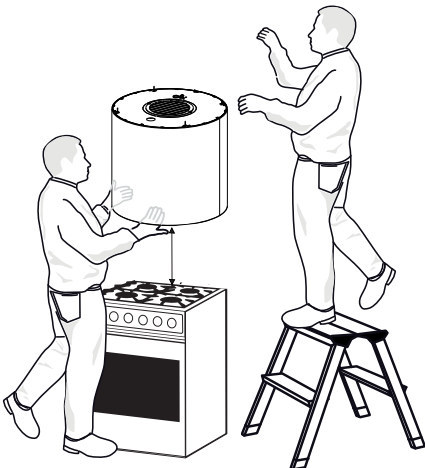
Utilice sólo tornillos y piezas pequeñas como soporte de la campana.

**Advertencia:** Si no se instalan los tornillos o el dispositivo de fijación de acuerdo con estas instrucciones, pueden producirse riesgos eléctricos.

8



Las distancias mínimas deben mantenerse entre la campana y la superficie de cocción.



## CONEXIÓN DE LOS CABLES DE LA CAMPANA A LA PLACA

**Nota** Antes de continuar con la instalación, es necesario mover la campana a una altura de al menos 24" de la superficie de cocción eléctrica y 30" de la superficie de cocción de gas, utilizando un soporte o la ayuda de otra persona.



Esto es esencial, ya que los cables de la campana deben estar necesariamente conectados a la placa fijada al techo sin el peso del soporte de la campana en la estructura.

**El sistema de fijación de cables se compone de 3 partes:**

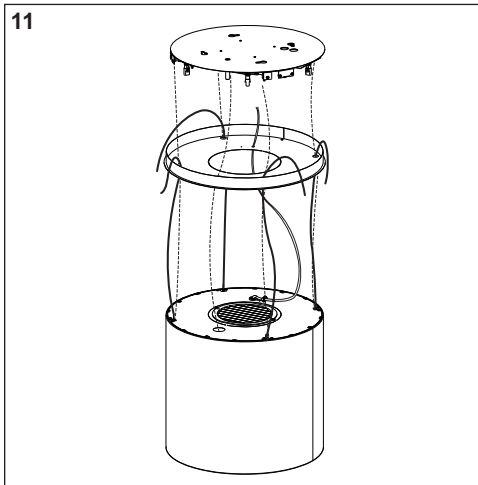
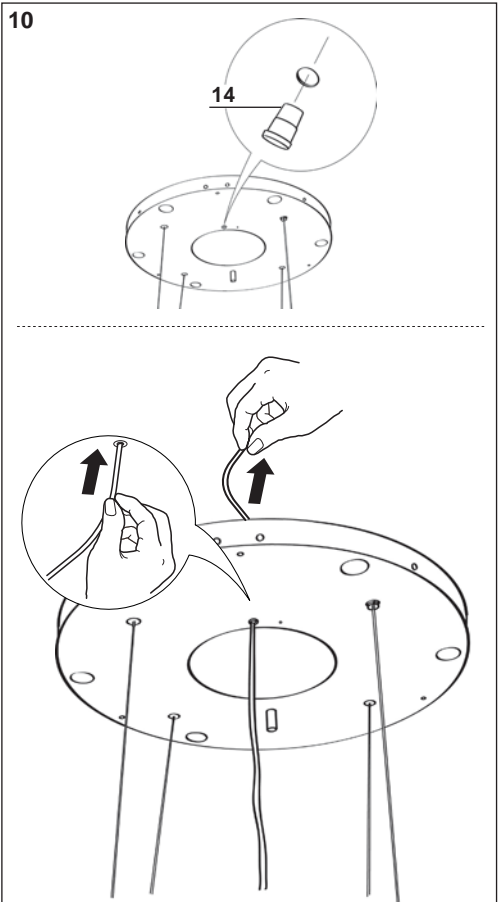
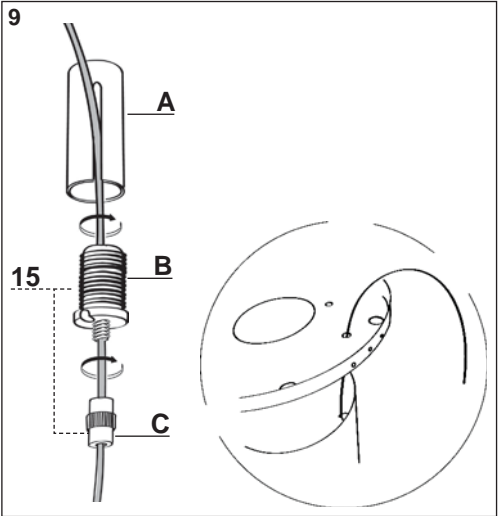
- Trinquetes roscados (a) ya montados en la placa de techo.
- Tornillos de sujeción de cables (b) suministrados (15).
- Perillas de seguridad (c) suministradas (15).

• Pase los cables conectados a la campana de techo en los agujeros correspondientes de la tapa de la placa, después del desmontaje.

• Inserte el canal de cables (14) en la abertura de la tapa de la placa y pase el cable de la fuente de alimentación de la campana.

**Advertencia: No rompa ni retire la abrazadera que fija el cable de alimentación a la campana.**

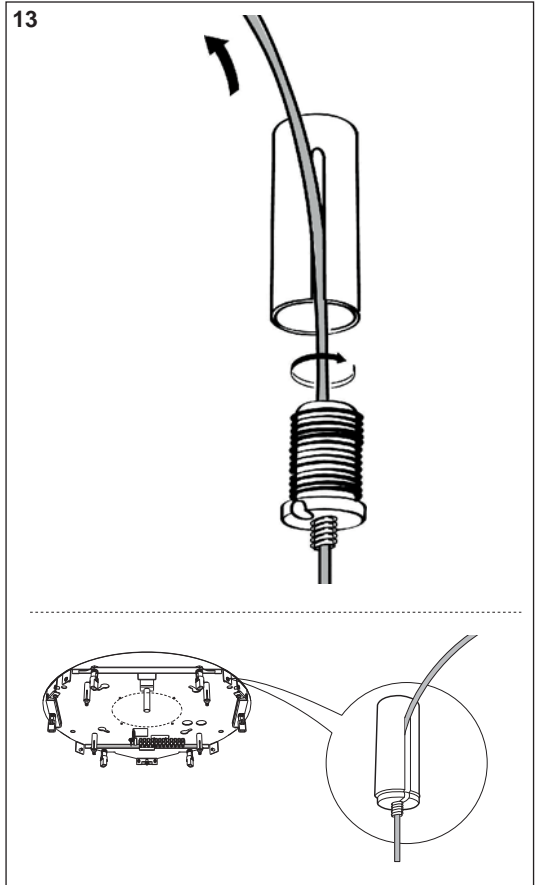
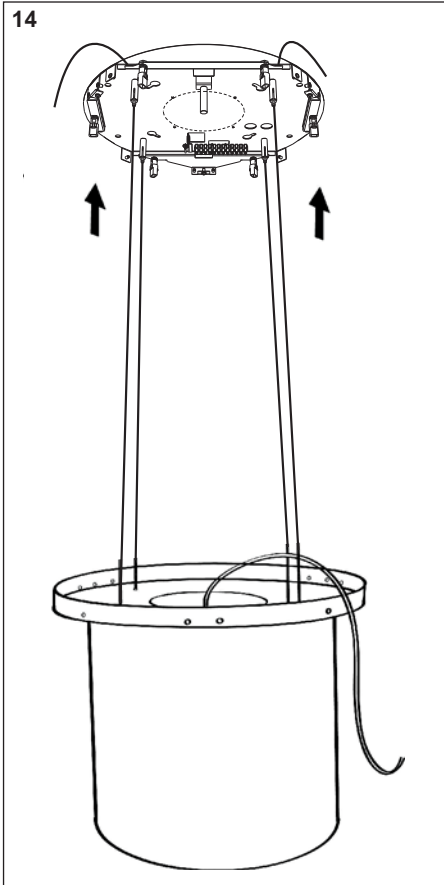
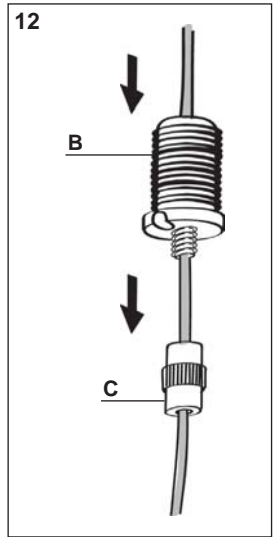
• Atención a la dirección de la placa fijada al techo (el trinquete de límite en la placa sujeta al techo tiene un orificio correspondiente en la tapa de la placa y la cubierta de la campana).





- Inserte los cables en las perillas de seguridad (c) con la rosca en la parte superior (Fig.12).
- Inserte los cables en los tornillos de sujeción de cables (b) (Fig.12).
- Pase los cables por las ranuras en los trinquetes roscados (a) y atornille los tornillos de bloqueo del cable (b) a los mismos trinquetes (Fig.13).
- Cuando la operación se ha completado, el resultado debe ser como se muestra en la figura para los 4 cables (Fig.14).
- En este punto, tenemos los 4 cables conectados a la placa.

**Ponga los cables bajo tensión empujándolos hacia arriba para que se deslicen dentro del tornillo de sujeción de cables y se deslicen fuera de la ranura del trinquete roscado. Esto es posible porque el tornillo de sujeción de cables tiene un sistema que, si está montado correctamente, permite que los cables se deslicen en una dirección solamente y evita que se deslicen en la otra dirección.**  
**Atención, todos los cables tienen la misma longitud para facilitar el funcionamiento del nivel final. El cable delantero izquierdo no debe estar más flojo que los demás.**



## NIVELANDO LA CAMPANA

- La unidad móvil de la campana debe estar nivelada para permitir que el movimiento funcione correctamente.

- La campana se nivela ajustando los trinquetes de seguridad.

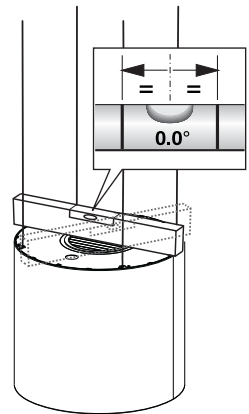
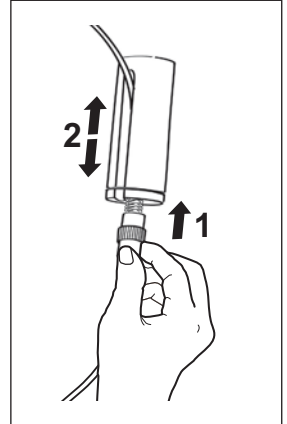
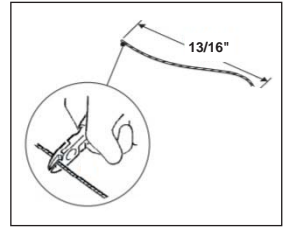
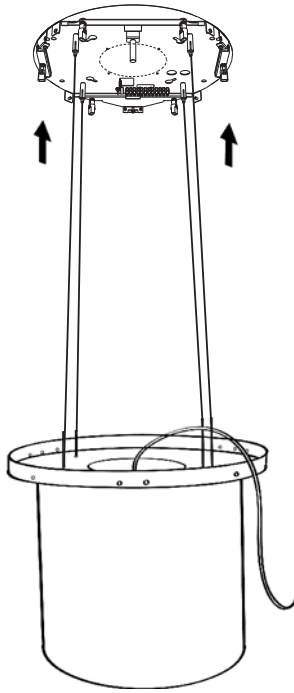
- Apoye un nivel de burbuja en la campana.

- Cuando las perillas de seguridad se presionan hacia arriba, el movimiento de la campana se "desbloquea". Al insertar o extraer el cable del tornillo de sujeción del cable, es posible realizar ajustes que permitan nivelar el cuerpo del capó móvil.
- Una vez que la campana se ha nivelado, las perillas de seguridad deben apretarse nuevamente.

### Advertencia:

- Verifique que los 4 cables estén estirados.
- Verifique que los 4 cables no se dañaron durante la instalación.
- Corte el exceso de cada cable. La parte sobrante debe ser inferior a 13/16".
- Debe recordarse que la distancia mínima entre la campana y la placa de cocción debe ser de 24" desde la superficie de cocción eléctrica y de 30" desde la superficie de cocción de gas.

15



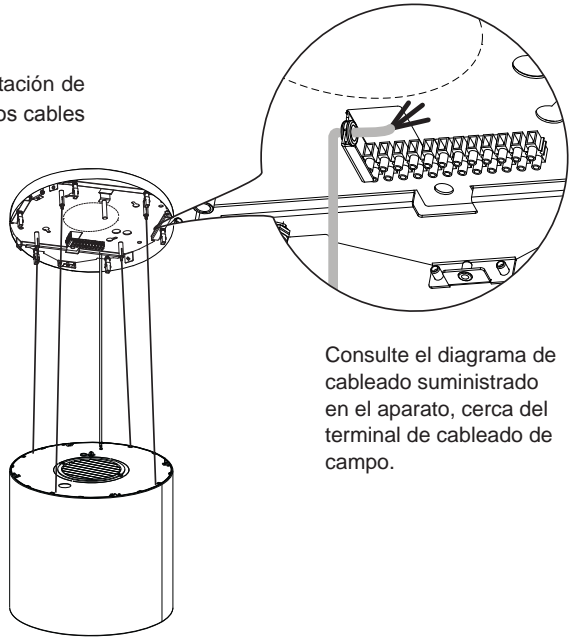
## Conexiones

### Solo recirculación sin conducto

- Abra la unidad de iluminación tirando de la muesca proporcionada.
- Retire los filtros de grasa.
- Asegúrese de que los filtros de olor de carbón activado se hayan instalado.

## CONEXIÓN DEL CABLE DE ALIMENTACIÓN DE LA CAMPANA

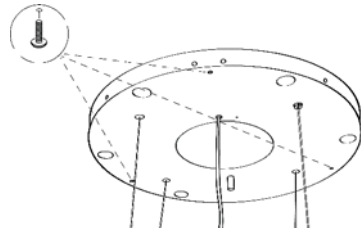
- Tome el cable de la fuente de alimentación de la campana y conecte el extremo con los cables expuestos en el soporte.
- Conecte la campana a la fuente de alimentación principal, insertando un interruptor bipolar con una abertura de contacto de al menos 3 mm.
- Retire los filtros de grasa (consulte el párrafo "Mantenimiento") y asegúrese de que el cable de alimentación se haya insertado correctamente en el receptáculo del ventilador de aspiración.
- En este punto es posible conectar la campana y el conjunto de iluminación de techo a la fuente de alimentación utilizando los cables de alimentación correspondientes.



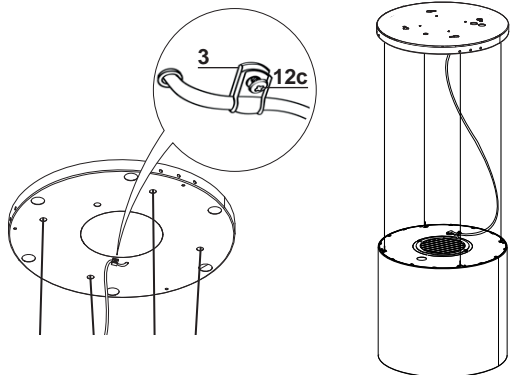
Consulte el diagrama de cableado suministrado en el aparato, cerca del terminal de cableado de campo.

## MONTAJE DE LA TAPA DE LA PLACA

- Cierre la tapa de la placa con los 3 tornillos que retiró anteriormente y la llave suministrada.



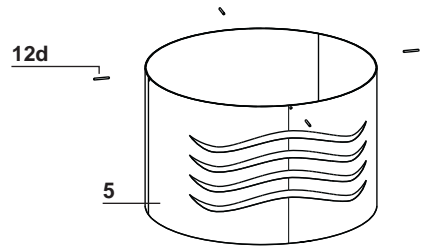
- Tome la abrazadera de cable 3 suministrada.
- Inserte el cable de alimentación en la abrazadera de cable 3 y atornillelo a la placa con uno de los tornillos 12c provistos.
- Finalmente, verifique que el cable de alimentación esté correctamente bloqueado, verificando que cuando la unidad móvil se eleve hacia el techo, se posicione sobre la unidad móvil y no salga por el borde de la misma.



## MONTAJE DEL VIDRIO

### OCEANA-SH

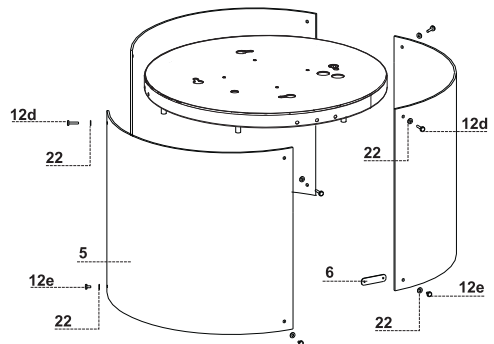
- Tome las luces LED G9 e insértelas en los portalámparas.
- No es necesario enroscarlos, sino simplemente insertarlos completamente.
- Fije la pantalla metálica **5** a la placa con las perillas de fijación **12d**.



## MONTAJE DEL VIDRIO

### VANILLA-SH

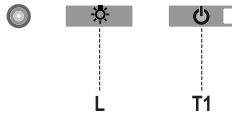
- Tome las luces LED G9 e insértelas en los portalámparas.
- No es necesario enroscarlos, sino simplemente insertarlos completamente.
- Fije el vidrio **5** a la placa con los tornillos **12d** y las arandelas **22** en la parte superior.
- Fije los elementos de vidrio juntos en la parte inferior usando las placas de fijación de vidrio **6** con los tornillos **12e** y las arandelas **22**.



## PANEL DE CONTROL

### Para mejores resultados

Encienda la campana varios minutos antes de cocinar para desarrollar un flujo de aire adecuado. Deje que la campana funcione durante varios minutos después de que se complete la cocción para eliminar todo el humo y los olores de la cocina.



Botón	Función	Pantalla
L	Enciende/apaga las luces.	-
T1	<b>Campana abajo/extendida</b> Presione durante 2 segundos para levantar la campana. Presione brevemente para encender/apagar el motor.	Encendido/apagado.
	<b>Campana cerca del techo</b> Presione una vez: La campana baja. Presione por segunda vez: La campana se detiene. Cuando el movimiento se ha completado, el motor se enciende a la velocidad dos.	Encendido/apagado.

**Advertencia:** Los controles de la campana solo controlan las funciones de la misma. La unidad de iluminación tiene una fuente de alimentación completamente separada y un interruptor separado.

### EL SISTEMA DE CONTROL ELECTRÓNICO RECONOCE Y SEÑALA DOS TIPOS DE FALLO.

Led T1	
<b>Destello lento</b>	<b>Se ha superado el umbral de absorción de corriente:</b> Si se produce una condición de sobrecarga, el fallo se señala con el LED T1 del teclado que destella una vez cada 2 segundos. Compruebe que nada bloquee los movimientos normales de la campana. La señal permanece activa hasta que se da una nueva orden de apertura/cierre de la campana.
<b>Destello rápido</b>	<b>Se disparó el microinterruptor de seguridad de apertura de la campana:</b> Si se dispara el microinterruptor de seguridad, el fallo se señala con el LED T1 del teclado que destella rápidamente (una vez cada 250 ms). Esto significa que la campana ha superado el micro-interruptor..... ¡Llame a la asistencia técnica! Puede seguir utilizando las funciones de luz y motor de la campana mientras este fallo esté activo. Siempre que el motor esté encendido, el LED T1 continuará destellando, indicando que el fallo aún está presente.

## MANDO REMOTO





El aparato se puede controlar con un mando remoto alimentado por baterías alcalinas de zinc-carbón de 1,5 V del tipo estándar LR03-AAA (no se incluyen).

- No coloque el mando remoto cerca de fuentes de calor.
- Las baterías usadas deben desecharse de la manera adecuada.



## Panel de control

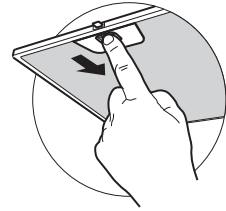


Botón	Función	Pantalla
	Enciende/apaga el motor.	-
	<b>Campana cerrada:</b> - Presione el botón brevemente para comenzar a bajar la campana. - Se detendrá cuando se presione el botón nuevamente. Cuando el movimiento se haya completado, el motor arrancará a la velocidad 2	-
	<b>Campana abierta:</b> - Mantenga presionado durante 2 segundos para activar la elevación de la campana, que se detiene cuando llega al tope. - Presione (brevemente) para detener el movimiento (antes de que se llegue a la parada). - Vuelva a presionar brevemente para encender/apagar el motor. - Mantenga presionado durante 2 segundos para comenzar a levantar la campana. - Si el motor está encendido, primero detendrá el motor y luego comenzará el movimiento.	-
<b>+</b>	Aumenta la velocidad del motor.	-
<b>-</b>	Disminuye la velocidad del motor.	-
	<b>INTENSIVA</b> - Esto sólo se puede activar con la campana bajada y cuando las funciones de retardo o 24h no están activas. - Activa la velocidad intensiva desde cualquier otra velocidad. Para desactivarla, simplemente presione el mismo botón de nuevo o apague el motor. - La velocidad intensiva está programada para funcionar durante 6 minutos. Al final de los 6 minutos el sistema volverá automáticamente a la velocidad que se había configurado anteriormente.	El led en el botón del motor (en los controles de la campana) destellará una vez por segundo.
	<b>Pulse brevemente para la función de retardo:</b> Solo se puede activar si la función intensiva o 24h no está activa. Activa y desactiva el apagado total de la campana (motor + luces) después de 30 minutos: Para desactivar el retardo, simplemente presione el botón de nuevo o apague el motor.	El led en el botón del motor (en los controles de la campana) destellará una vez cada 0.5 segundos.
	<b>Mantenga presionado por 2 segundos para la función 24H:</b> Sólo se puede activar si la función Intensiva o Retardo no está activa. Activa y desactiva la función 24H durante 10 minutos cada hora, durante 24 horas. Después de este tiempo se desactiva.	El led en el botón del motor (en los controles de la campana) destellará una vez cada 2 segundos.
	Enciende y apaga las luces de la campana.	-

# MANTENIMIENTO

## FILTRO DE GRASA

El filtro se debe limpiar cada 2 meses de funcionamiento, o con mayor frecuencia para un uso particularmente pesado, y se puede lavar en un lavavajillas.



## LIMPIEZA DEL FILTRO DE GRASA METÁLICO AUTO-PORTANTE

- Abra la unidad de iluminación tirando de la muesca.
- Retire el filtro, uno por uno, empujándolo hacia la parte posterior de la unidad de la campana y tirando hacia abajo simultáneamente.
- Se debe evitar cualquier tipo de curvatura del filtro al lavarlo. Antes de volver a colocarlo en la campana, asegúrese de que esté completamente seco.
- Cuando instale el filtro en la campana, preste atención a que estén montados en la posición correcta, con la manija hacia afuera.
- Reemplace la unidad de iluminación.

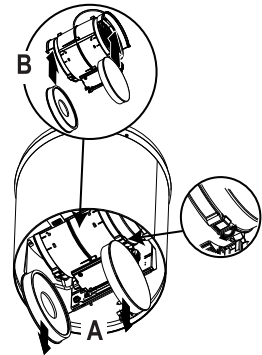
---

## FILTRO DE CARBÓN ACTIVADO

Esto no se puede lavar ni regenerar, y debe cambiarse aproximadamente cada 4 meses, o con mayor frecuencia en el caso de un uso particularmente intensivo.

### CAMBIO

- Abra la unidad de iluminación.
- Retire el filtro de grasa.
- Retire los filtros saturados de carbón activado, como se indica **(A)**.
- Coloque los nuevos filtros, como se indica **(B)**.
- Coloque el filtro antigrasa y la unidad de iluminación nuevamente en su posición.



---

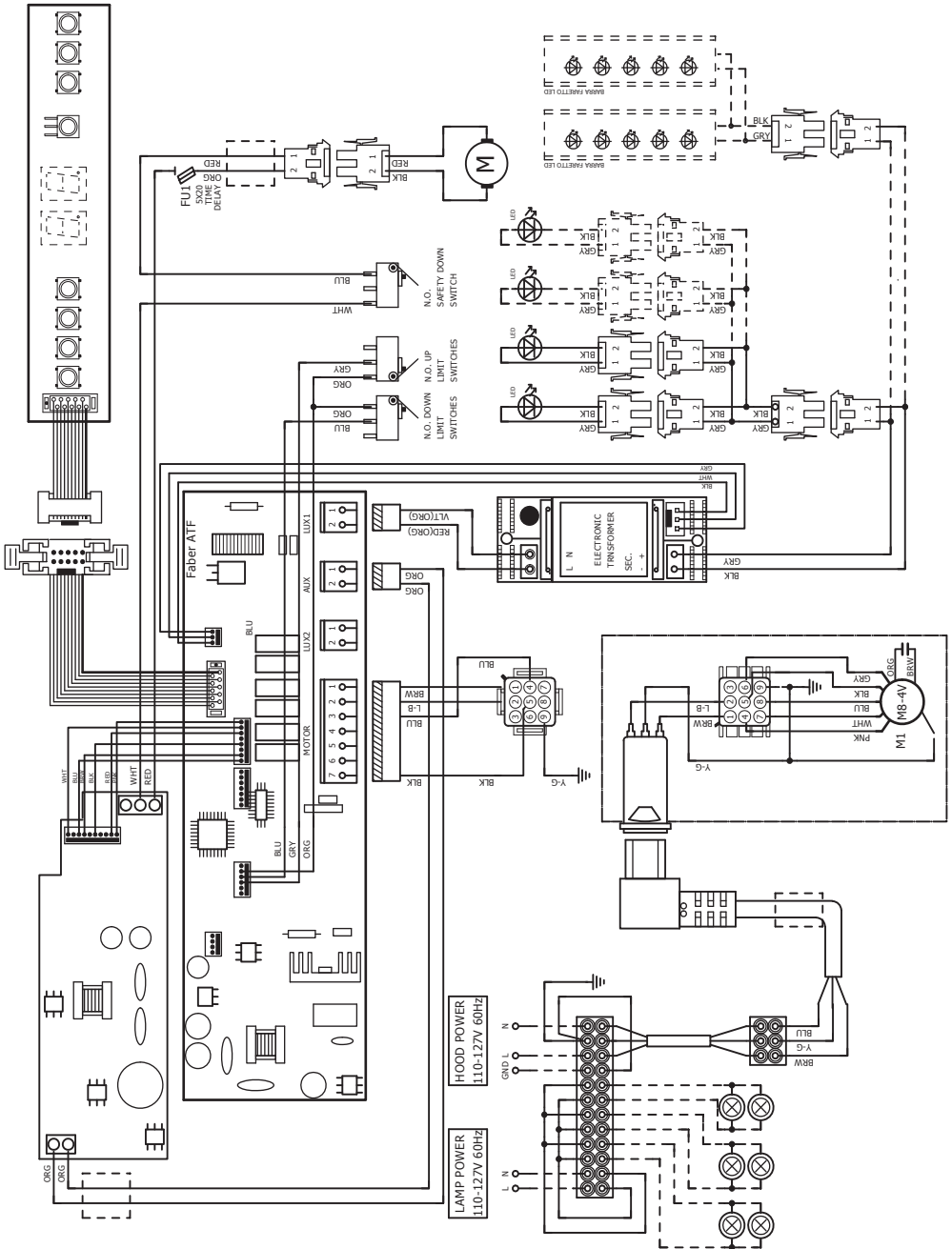
## UNIDAD DE ILUMINACIÓN DE LA CAMPANA

- Para el reemplazo, póngase en contacto con el soporte técnico ("para comprar, póngase en contacto con el soporte técnico").

## DIFUSOR DE LUZ DE TECHO

- Lámparas led con balasto automático G9 - listadas según ul 1993/nmx-j-578/1-ance/csa c22.2 No. 1993
- Sustituya la lámpara por una nueva del mismo tipo, asegurándose de introducir bien los dos pasadores en las carcasas del portalámparas.

# Diagrama de cableado







## GARANTÍA Y SERVICIO AL CONSUMIDOR FABER

Todos los productos Faber están garantizados contra cualquier defecto de materiales o mano de obra para el comprador original por un período de 1 año a partir de la fecha de compra original (requiere prueba de compra). Esta garantía cubre mano de obra y piezas de repuesto. Faber, a su elección, puede reparar o reemplazar el producto o componentes necesarios para restaurar el producto en buenas condiciones de trabajo. Para obtener el servicio de garantía, póngase en contacto con el distribuidor de quien adquirió la campana extractora o con el distribuidor local de Faber. Si no puede identificar a un distribuidor local de Faber, comuníquese con nosotros al (508) 358-5353 para obtener el nombre de un distribuidor en su área.

### Lo siguiente no está cubierto por la garantía de Faber:

1. Llamadas de servicio para corregir la instalación de su campana extractora, para instruirle sobre cómo usar su campana extractora, para reemplazar o reparar fusibles de la casa o para corregir el cableado de la casa o la plomería.
2. Llamadas de servicio para reparar o reemplazar las bombillas, fusibles o filtros de la campana extractora. Estas partes de consumibles están excluidas de la cobertura de la garantía.
3. Reparaciones, cuando su campana extractora se utiliza para uso doméstico distinto al normal.
4. Daños resultantes de accidente, alteración, mal uso, abuso, incendio, inundación, eventos naturales, instalación incorrecta, instalación no conforme a los códigos eléctricos o de plomería o la documentación de Faber, o uso de productos no aprobados por Faber.
5. Piezas de repuesto o costos de mano de obra de reparación para unidades operadas fuera de los Estados Unidos o Canadá, incluyendo cualquier campana de cocina Faber no aprobada por UL o C-UL.
6. Reparaciones a la campana resultantes de modificaciones no autorizadas a la misma.
7. Gastos de viaje y transporte para el servicio del producto en lugares remotos, y gastos de recogida y entrega. Las campanas de cocina Faber deben ser reparadas en el hogar.

ESTA GARANTÍA NO PERMITE LA RECUPERACIÓN DE DAÑOS INCIDENTALES O CONSECUENTES, INCLUYENDO, SIN LIMITACIÓN, DAÑOS DIRECTOS, INDIRECTOS, INCIDENTALES, ESPECIALES O CONSECUENTES, LESIONES PERSONALES O MUERTE INCORRECTA O BENEFICIOS PERDIDOS. LA GARANTÍA DE FABER SE LIMITA A LAS CONDICIONES ANTERIORES Y AL PERÍODO DE GARANTÍA ESPECIFICADO AQUÍ Y ES EXCLUSIVA. EXCEPTO DADO LO EXPRESAMENTE ESPECIFICADO EN ESTE ACUERDO, FABER RENUNCIA A TODAS LAS CONDICIONES, REPRESENTACIONES Y GARANTÍAS EXPRESAS O IMPLÍCITAS INCLUYENDO, SIN LIMITACIÓN, CUALQUIER GARANTÍA IMPLÍCITA DE COMERCIABILIDAD O ADECUACIÓN PARA UN PROPÓSITO PARTICULAR.

Esta garantía le otorga derechos legales específicos que pueden variar de estado a estado.

Modelo: \_\_\_\_\_ Número de serie \_\_\_\_\_

Campana de Cocina

Marca: FABER

Modelo: CAMPANA LEVANTE I - LEVANTE II

Especificaciones eléctricas:

110V ~ 60Hz

Consumo de energía en modo de espera: N/A

Consumo de energía en modo de operación: 350 Wh

ANTES DE USAR EL PRODUCTO LEA EL INSTRUCTIVO Y CONSERVELO PARA FUTURAS REFERENCIAS FIJACIÓN "Y", SI EL CORDÓN DE ALIMENTACIÓN ES DAÑADO, ÉSTE DEBE SER REEMPLAZADO POR EL FABRICANTE, SU AGENTE DE SERVICIO O POR PERSONAL CALIFICADO PARA EVITAR UN RIESGO.

Este aparato no se destina para utilizarse por personas (incluyendo niños) cuyas capacidades físicas, sensoriales o mentales sean diferentes o estén reducidas o carezcan de experiencia o conocimiento a menos que dichas personas reciban una supervisión o capacitación para el funcionamiento del aparato por una persona responsable de su seguridad.

Los niños deben de supervisarse para asegurar que ellos no empleen los aparatos como juguete.

- Debe haber una ventilación adecuada en el cuarto, cuando la campana de cocina se utiliza al mismo tiempo que los aparatos que consumen gas u otros combustibles.
- Detallar acerca del método y frecuencia de limpieza.
- Existe el riesgo de fuego, si la limpieza no se realiza de acuerdo con las instrucciones.
- No flamear alimentos bajo la campana de cocina.

Comercializado por: Franke Mexico S.A. de C.V.

Circuito Mexico 215, Tres Naciones Industrial Park

San Luis Potosi, SLP, C.P. 78395 Mexico

Tel Comercializador: 01.444.144.0340



- Que el aire de descarga no debe enviarse a través de un conducto que se utilice para evacuar los humos de los aparatos que consumen gas u otros combustibles
- La distancia mínima entre la superficie de soporte para los recipientes de cocción en la parrilla y la parte inferior de la campana de cocina. Cuando la campana de cocina se encuentra sobre un aparato de gas, esta distancia no debe ser menor que 65 cm. Si las instrucciones de instalación para la parrilla de gas especifican una distancia mayor, ésta debe tomarse en consideración.
- Deben cumplirse las regulaciones que se relacionen con la evaluación de la descarga del aire.

## **Póliza de garantía. Información aplica a México exclusivamente**

Producto: \_\_\_\_\_ Número de serie: \_\_\_\_\_

Marca: \_\_\_\_\_ Distribuidor: \_\_\_\_\_

Modelo: \_\_\_\_\_ Firma o sello del establecimiento

Fecha en la que el consumidor recibe el producto: \_\_\_\_\_

FABER / FRANKE MEXICO garantiza este producto en todas sus piezas, componentes y mano de obra por el tiempo de 1 año en su producto final -contado a partir de la fecha de recepción de conformidad del consumidor final- contra cualquier defecto de fabricación y funcionamiento durante el uso normal y doméstico de este producto. Incluye los gastos de transportación del producto

que se deriven del cumplimiento de esta póliza dentro de su red de servicio.

Esta garantía ampara únicamente el modelo, marca y serie referidos en los "datos de identificación del producto", ubicado en la parte superior del presente documento.

### **Conceptos cubiertos por la garantía**

Defectos de fabricación que impidan total o parcialmente el correcto funcionamiento del aparato que se presente dentro de los términos de vigencia de esta garantía.

Esta garantía ampara todas las piezas y componentes del producto e incluye la mano de obra, así como el reemplazo de cualquier pieza o componente defectuoso sin costo adicional para el consumidor.

Se incluyen también los gastos de transportación del producto que deriven del cumplimiento de la presente, dentro de cualquiera de nuestros centros de servicio indicados en el listado que se incluye en ésta póliza.

### **La garantía no podrá hacerse efectiva en los siguientes casos:**

- a) Cuando el producto se hubiese utilizado en condiciones distintas a las normales.
- b) Cuando el producto no hubiese sido operado de acuerdo con el instructivo de uso que se le acompaña.
- c) Cuando el producto hubiese sido alterado o reparado por personas y/o talleres de servicio no autorizado por FABER / FRANKE MEXICO

### **Procedimiento para hacer efectiva la garantía**

Para hacer efectiva la presente garantía, el consumidor deberá presentar esta póliza debidamente sellada por el establecimiento que vendió el producto, o la factura o recibo o comprobante con los datos de identificación de producto que se describen en ésta póliza, en cualquiera de nuestros Centros de Servicio Técnico referidos en la presente póliza o llamando a los teléfonos del directorio incluido en este documento, en donde también los consumidores podrán obtener las partes, consumibles y accesorios correspondientes.

