



Included items: 2x Romex Connector, 2x Screw Covers

Specified Item #	
Project	
Location	



SPECIFICATIONS

Input Voltage	120VAC 60 Hz
Maximum Load	4A (480W)
Occupancy Sensor ¹	Leviton® OSF10 Passive Infrared Sensor
Coverage Area	See page 2
Time-Out Settings	30 seconds, 10, 20 and 30 minutes
Mounting	(2x) Captive screws
Dimmable	No

Ambient Temperature ²	-4° ~ 122°F (-20° ~ 50°C)
Operating Temperature ³	-4° ~ 176°F (-20° ~ 80°C)
Environment	Indoor / Dry Location
Dimensions	8.07 x 3.72 x 1.48 in. (L x W x H)
Warranty	3 years
Certifications	ETL Listed (United States & Canada). Conforms to UL std. 1598 Certified to CSA std. C22.2 No. 250.0

Item #	Color
DI-120V-SABER-MS-WH	White
DI-120V-SABER-MS-BZ	Dark Bronze

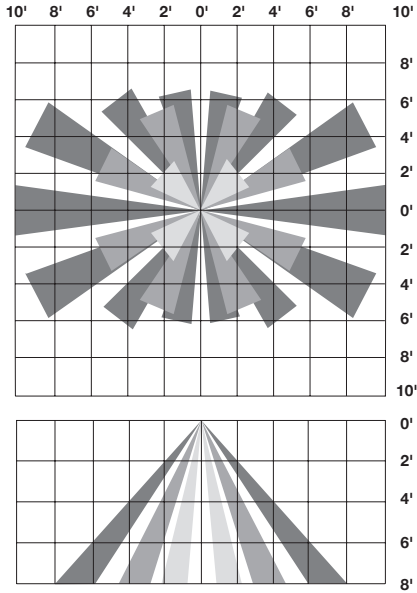
Note ¹ The Sensor is sensitive to heat emitted by the human body. In order to initially trigger the Sensor, the source of heat must move from one zone of detection to another.

Note ² Do not install product in an environment outside the listed ambient temperature. Ensure adequate airflow and heatsinking is considered when mounting/installing. Exceeding the maximum ambient temperature may damage LED chips by reducing the total lamp life, lumen output, and/ or adversely impact color consistency.

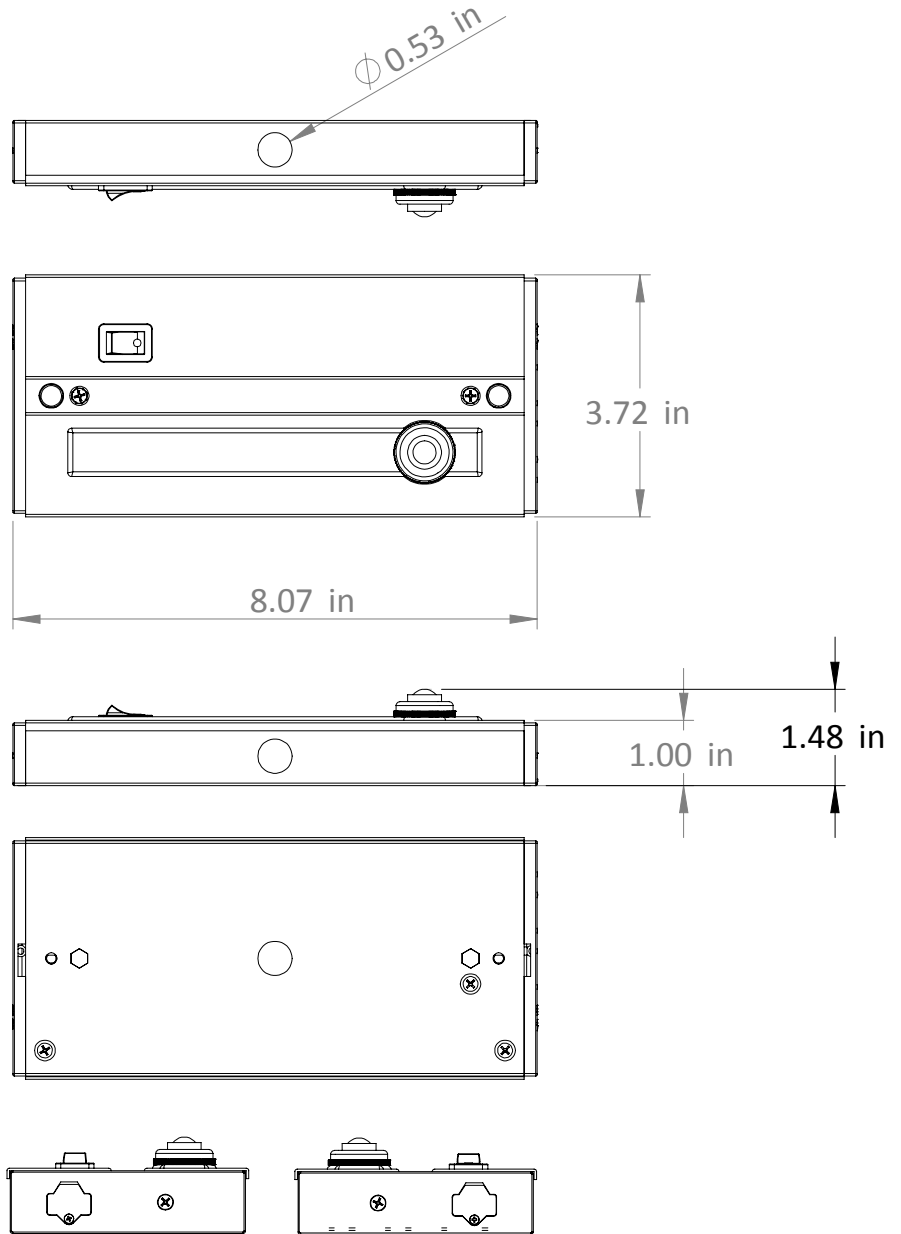
Note ³ Operating temperature is measured according to the minimum and maximum ambient temperature environment.

COVERAGE AREA

The coverage area, or field of view, of the SENSOR is designed to cover a 10 foot diameter space when mounted at 10 feet above the floor. This monitored space is in the form of a cone radiating from the center of the PIR lens.

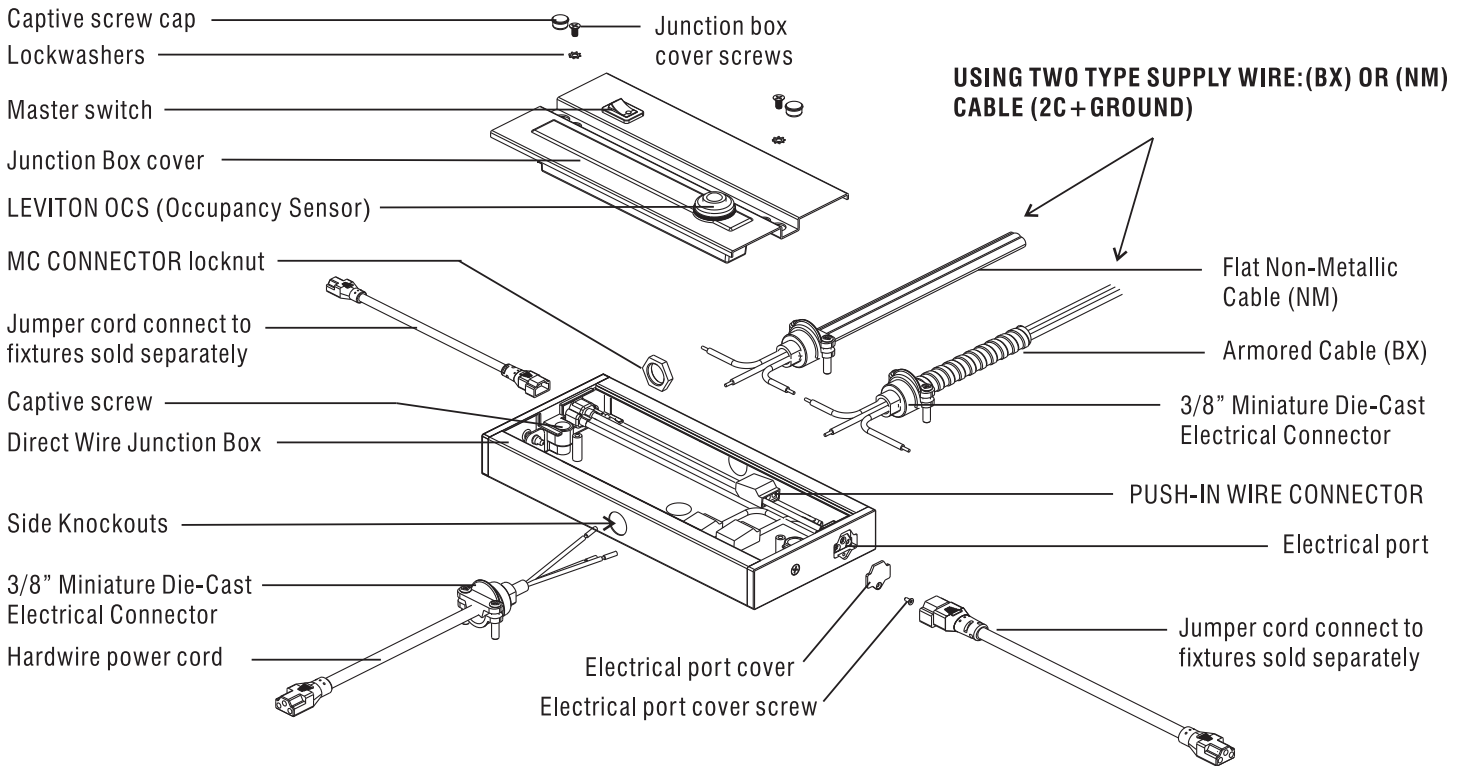


MECHANICAL DIAGRAM

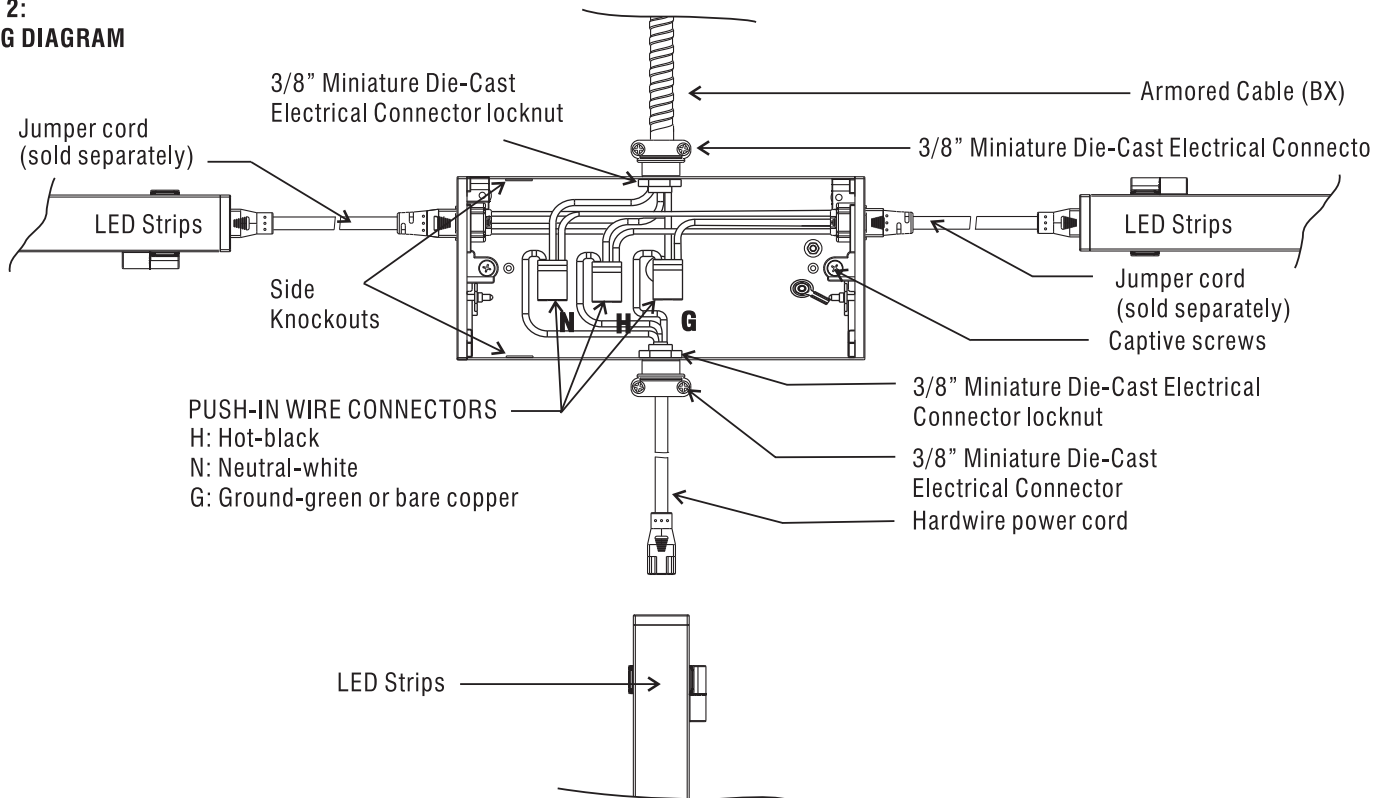


INSTALLATION

Figure 1:






**Figure 2:
WIRING DIAGRAM**



SS081915-1.0

ACCESSORIES

Product #*	Item Name	Description	
DI-1306-WH DI-1306-BK	FENCER® Linkable End-To-End Connector	Seamlessly connects two sections of any length fixture together. 0.8 x 0.67 x 0.44 in. (L x W x H)	
DI-1307-WH DI-1307-BK	FENCER® 6" Extension Cable	Perfect for jumping around gaps and obstructions in the installation or negotiating angles of any degree. 6 x 0.66 x 0.42 in. (L x W x H)	
DI-1308-WH DI-1308-BK	FENCER® 12" Extension Cable	Perfect for jumping around gaps and obstructions in the installation or negotiating angles of any degree. 12 x 0.66 x 0.42 in. (L x W x H)	
DI-1309-WH DI-1309-BK	FENCER® 24" Extension Cable	Perfect for jumping around gaps and obstructions in the installation or negotiating angles of any degree. 24 x 0.66 x 0.42 in. (L x W x H)	
DI-1310-WH DI-1310-BK	FENCER® 72" Extension Cable	Perfect for jumping around gaps and obstructions in the installation or negotiating angles of any degree. 72 x 0.66 x 0.42 in. (L x W x H)	
DI-1311-WH DI-1311-BK	FENCER® 72" Power Cable with AC Plug	120V AC Plug-to-fixture connector cable. 72 x 0.66 x 0.42 in. (L x W x H)	
DI-1312-WH DI-1312-BK	FENCER® 72" Power Cable with Hard-Wire Connection	120V AC Splice-to-fixture connector cable. 72 x 0.66 x 0.42 in. (L x W x H)	

ADDITIONAL RESOURCES

Visit the online product page at www.DiodeLED.com for additional resources including:

- **FENCER® UNDER CABINET LED LIGHT FIXTURE Installation Guide**
For system diagrams and full installation instructions.
- **FENCER® UNDER CABINET LED LIGHT FIXTURE Specification Sheet**
For full specifications.

SAFETY / WARNINGS / DISCLOSURES

- Install in accordance with the National Electric Code, and local regulations.
- This product is intended to be installed and serviced by a qualified, licensed electrician.
- Only install compatible LED fixtures & controls. Only use copper wiring.
- Proper heat dissipation will prolong the working lifespan of this product. Install in a well-ventilated area free from explosive gases and vapors.
- Ensure applicable wire is installed between driver, fixture, and any controls in between. When choosing wire, factor in voltage drop, amperage rating, and type (in-wall rated, wet location rated, etc.). Inadequate wire installation could overheat wires, and cause a fire.
- Do not install if product has any visible damage.
- Do not modify or disassemble this product beyond instructions or the warranty will be void.

WARRANTY

Limited Warranty

This product has a three (3) years limited warranty from the date of shipment. This warranty does not include the additional accessories referenced in this specification sheet. Complete warranty details for fixtures and additional accessories are available at www.DiodeLED.com under the 'Tools & Resources' tab. For warranty related questions, please contact customer service.

Consumer's Acknowledgment

Diode LED stands behind its products when they are used properly and according to our specifications. By purchasing our products, the purchaser agrees and acknowledges that lighting design, configuration and installation is a complex process, wherein seemingly minor factors or changes in layout and infield adjustments can have a significant impact on an entire system. Choosing the right components is essential. Diode LED is able to work with the original purchaser to make an appropriate product selection to the extent of the limited information that the customer can provide, but it is virtually impossible for Diode LED to design a system that foresees every unknown factor. For this reason, this Warranty does not cover problems caused by improper design, configuration or installation issues. Any statement from a Diode LED employee or agent regarding a customer's bill of goods and/or purchase order is NOT an acknowledgment that the products purchased are designed and configured correctly. The purchaser agrees and acknowledges that it is the customer's responsibility to adhere strictly to all information contained in the Product Specification Sheets.

There is often more than one way to design, configure and layout an LED lighting application properly to achieve the same lighting effect. Diode LED strongly recommends that licensed professionals be used in the design and installation of lighting systems that include Diode LED products. The specifications include important information that a designer and installer should carefully review and strictly follow. Qualified designers and certified and/or licensed installers, with access to the final installation environment, customer goals, and Diode LED product specifications can make the requisite decisions appropriate for a successful finished lighting application.