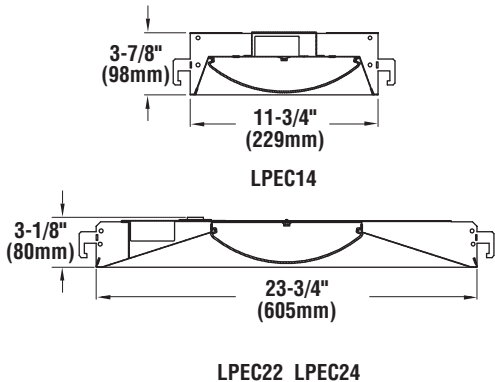


LED LOW PROFILE RECESSED TROFFER (LPEC)



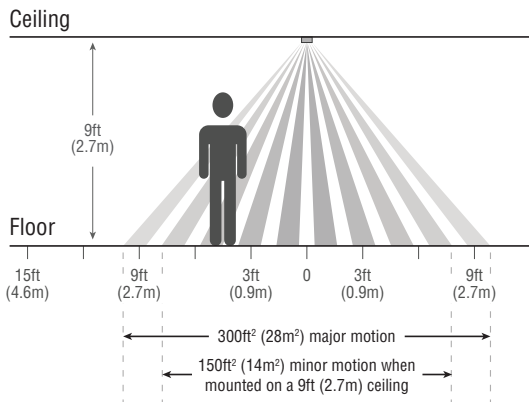
DIMENSIONS



LIGHT OUTPUT - LPEC									
	SS - Super Saver			HO - High Output			Watts		
	WW	NW	CW	WW	NW	CW	SS	HO	
LPEC14 -(1X4)	3050	3200	3650	4305	4520	5125	29	46	
LPEC22 -(2X2)	2880	3025	3450	4040	4250	4870	29	46	
LPEC24 -(2X4)	3530	3670	4195	4200	4485	5130	36	47	
LPEC24 -(2X4)	VHO - Very High Output			Watts					
	WW	NW	CW	VHO					
LPEC24 -(2X4)	5915	6190	7080	60					

LED Chips are frequently updated therefore values may increase.

AirLink™ ALOS AND ALVS COVERAGE PATTERN



PRODUCT HIGHLIGHTS

- Long life, high brightness LEDs virtually eliminate maintenance.
- RoHS compliant, recyclable “green” design contains no mercury or other hazardous materials.
- Cooler running electronic components allow for improved lumen performance.
- Direct/Indirect lighting delivers even illumination throughout the space.
- Available with AirLink™ wireless controls for maximum energy savings. All AirLink™ controls are also compatible with the Vive wireless hub which enables a simple setup process using a standard web browser on any Wi-Fi enabled phone, tablet or computer. The hub also enables control and monitoring of all AirLink™ devices.

EXPECTED LIFE - Projected life of at least 60,000 hours. Contact factory for TM-21 detail.

LEDs - Use of closely spaced medium-power, high brightness chips minimizes pixelation and provides uniform luminance. Available in Cool White (5000K), Neutral White (4000K) and Warm White (3500K) color temperatures. CRI \geq 80. LM_80 reports available.

HOUSING - Formed code-guage steel housing, painted after fabrication. Integral NEC-compliant earthquake clips are standard.

FINISH - All metal parts are painted after fabrication following treatment with phosphate rust inhibitor. Finish coating of housing reflecting surfaces is with high-reflectance (minimum 92%) matte white polyester powder.

LENS - High transmittance acrylic, full radius lens with minimum diode visibility.

INSTALLATION - Unit simply lifts through grid ceiling and rests on T-bars. Wiring access/strain relief plate attaches with one screw, allowing connections to be made from below the ceiling.

ELECTRICAL - Universal voltage (120-277 Vac, 50/60 Hz input), Power factor $>$ 0.9, THD $<$ 20%, in-rush current $<$ 15 Amps.

DRIVER - High-performance driver features over-voltage, under voltage, short-circuit and over temperature protection. Class A sound rating. 0-10 volt dimming (1% - 100%) standard.

AirLink™ - LSI AirLink™ enabled by Lutron controls featuring Lutron Clear Connect Technology makes each luminaire controllable, creating a wireless communication with other wireless control devices such as dimmers, switches, occupancy sensors and photocontrols. The integrated sensor is both a passive infrared motion detector and photocell. The photocell provides a simple out-of-the-box daylight harvesting solution. The motion detector uses exclusive Lutron XCT Technology which provides fine motion detection and 360° sensor field-of-range.

OPERATING TEMPERATURE - -40°C - +40°C (-40°F - +104°F)

WARRANTY - Limited 5-year warranty.

PHOTOMETRICS - Please visit our web site at www.lsi-industries.com for detailed photometric data.

LISTING - Listed to UL 1598 and UL 8750. Suitable For Damp Locations. IC Rated. For a list of the specific products in this series that are DLC listed, please consult the LED Lighting section of our website or the Design Lights website at www.designlights.org.

This product, or selected versions of this product, meet the standards listed below. Please consult factory for your specific requirements.



Project Name _____ Catalog # _____

1-800-436-7800 (Support, Option 8) www.lsi-airlink.com

04/25/17

© 2017

LSI INDUSTRIES INC.

LED LOW PROFILE RECESSED TROFFER (LPEC)

LUMINAIRE ORDERING INFORMATION

TYPICAL ORDER EXAMPLE: **LPEC24 LED HO NW UE ALOS EM**

Prefix	Light Source	Drive Current	Color Temperature	Line Voltage	Controls	Options
LPEC14 - (1x4) ¹ LPEC22 - (2x2) LPEC24 - (2x4)	LED	SS -Super Saver HO - High Output VHO - Very High Output ²	CW - Cool White (5000K) NW - Neutral White (4000K) WW - Warm White (3500K)	UE - Universal Voltage (120-277V) 347 - 347V ³	Blank (none) ALC - AirLink™ Controller ALOS - AirLink™ Controller w/ Occupancy Sensor ALVS - AirLink™ Controller w/ Vacancy Sensor	EM - Emergency Battery FC1 - 6' 3/8" (3) #18 Leads (For Use In Non-Dimming Applications) FC15D - 6' 3/8" (5) #18 Leads (For Use In Dimming Applications) SD50 - Step Dimming to 50% L3D - Lutron Hi-lume 1% LDE1 - Lutron Hi-lume 1% (with Soft-On, Fade-to-Black) LDE5 - Lutron 5-Series

ACCESSORY ORDERING INFORMATION (Accessories are field installed)

Description	Order Number
Flange Kit - 2x4	FK24
Flange Kit - 2x2	FK22
Flange Kit - 1x4	FK14

AIRLINK™ CONTROL ACCESSORIES Order as separate catalog number. Visit <http://www.isi-airlink.com> for complete listing of AirLink™ controls.

Wireless switches	Catalog number	Part Number	Wireless Occupancy Sensors	Catalog Number	Part Number
On/Off & Raise Lower	ALWS 3B-(color)-KIT ²	624103CLR ²	Wireless 360° 400 ft ² , Ceiling Mount	ALCM-W-OS	624094
			Wireless 180° 3000 ft ² , Wall Mount	ALWM-W-OS	632617
Wireless Photocell controls	Catalog number	Part Number	Wireless 90° 2500 ft ² , Corner Mount	ALCR-W-OS	624096
On/Off & Dimming	ALCM-W-PC	624090	Wireless, Hallway 150 ft Length	ALHM-W-OS	632620
AirLink™ Wireless Hub	Catalog number	Part Number	Commission Laser Kit	Catalog Number	Part Number
with BACnet, flush-mounted	ALWH-BACNET-F		(See Laser warnings)	AL-CLK	634574
with BACnet, surface-mounted	ALWH-BACNET-S				
without BACnet, flush-mounted	ALWH-F				
without BACnet, surface-mounted	ALWH-S				

FOOTNOTES:

- 1 - LPEC14 not available with ALOS or ALVS
- 2 - VHO available in 2x4 only.
- 3 - Not available with AirLink
- 4 - Available colors are White, Ivory and Light Almond (WHT, IV, LA)

LASER Warnings:

- Warning: Eye injury and/or blindness hazard; avoid direct eye exposure to laser beam.
- Use of laser pointer is NOT recommended for use with AirLink products located near reflective surfaces.
 - Do NOT aim or shine laser pointers at any person, pet, vehicle, or aircraft directly, or through reflection by mirrors or other shiny surfaces.
 - Do NOT view the laser beam through binoculars, magnifying glass, or other optical devices.
 - Do NOT allow children to use laser pointers.
 - Read and follow the laser pointer manufacturer's instructions on safe use. In the event of injury, get medical attention immediately.

Lutron, Hi-Lume and Clear Connect are trademarks of Lutron Electronics Co., Inc., registered in the U.S. and other countries. Vive, XCT and Soft-on, Fade-to-Black are trademarks of Lutron Electronics Co., Inc.



Project Name _____ Catalog # _____

1-800-436-7800 (Support, Option 8) www.isi-airlink.com

04/25/17

© 2017
LSI INDUSTRIES INC.