

Baja
Motorsports®

DR49 Dirt Bike

Read this manual carefully. It contains important safety information.

OWNER'S MANUAL

No one under the age of 16 should operate this Dirtbike without adult supervision. Parents should consider child's age, size, maturity and ability before allowing to ride.



Rev. C
030909

Always wear a helmet; It could save your Life!

Please obtain, review, and follow provincial / municipal government acts and regulations pertaining to owning and operating an off-road vehicle.



Congratulations on your purchase of the BAJA INC. DR49 Dirt Bike.

Your bike is warranted to be free of manufacturing defects in material and workmanship for a period of 90 days from the date of purchase. During the warranty period BAJA, INC. will at its option, repair, provide replacement parts or replace your BAJA INC. DR49 Dirt bike at no charge. This warranty does not cover normal wear items or damage caused by neglect or misuse of the product.

Engine Warranty – 90 days

Frame Warranty – 90 days

Warranty is void if:

Frame is bent or broken due to abuse

Wheels are bent or broken

Fender bent or broken due to abuse

Any sign of impact, accident, jumping, spin-outs or roll over.

BAJA, INC. is not liable for any damage claim or liability claim person or otherwise resulting from the operation of this product in any way.

Should you experience a problem with your vehicle, please call the Baja Inc. customer service line toll free at 1-888-863-2252 between the hours of 7am and 5pm Monday through Friday MST (Mountain Standard Time). MDT (Mountain Daylight Time) during the daylight saving time. You will be instructed how to proceed.

A COPY OF THE SALES RECEIPT IS REQUIRED.



WARNING

This manual should be considered as a permanent part of the vehicle and should remain with the vehicle when resold or otherwise transferred to a new user or operator. The manual contains important safety information and instructions which should be read carefully before operating the vehicle.



WARNING

The engine exhaust from this product contains chemicals known to the State of California to cause cancer, birth defects or other reproductive harm.

CALIFORNIA PROPOSITION 65

Table of Contents

SAFE OPERATION	3
SAFETY GEAR	4
LOCATION OF WARNING LABELS.....	5
MAIN DATA.....	6
PARTS & SUBASSEMBLIES	7
OPERATION	9
FUEL VALVE	9
ENGINE STARTING.....	10
BREAKING IN THE ENGINE	11
SWITCHES ON THE RIGHT HANDLEBAR	12
GEAR SHIFTING	13
CHECK-UPS, ADJUSTMENT AND MAINTENANCE.....	14
CHANGING THE OIL	15
CHECK-UP OF SPARK PLUG	16
VALVE INSPECTION.....	17
CHECKING & CLEANING THE AIR FILTER.....	18
ADJUSTING THE THROTTLE CABLE	19
ADJUSTING THE CARBURETOR	19
ADJUSTMENT OF FRONT BRAKE	20
ADJUSTMENT OF REAR BRAKE	20
ADJUSTMENT OF CHAIN.....	21
GREASING PROCEDURES TO THE DRIVING CHAIN.....	21
EXHAUST	22
TROUBLE SHOOTING	23
VEHICLE WASHING	25
INSTRUCTIONS FOR STORAGE	26
RESUMPTION OF SERVICE AFTER STORAGE	27
TABLE AND TORQUE OF FASTENERS	27
RESUMPTION OF SERVICE	28
INSPECTION AND MAINTENANCE	29
SERIAL NUMBER LOCATION	30
ELECTRICAL DIAGRAM.....	31
EMISSION CONTROL SYSTEM WARRANTY	32

Please read this manual and follow all instructions carefully. To emphasize special information, the symbol **▲** and the words **WARNING** or **CAUTION** have some special meanings. Pay great attention to the messages.

▲ WARNING
Indicates a potential hazard that could result in death or injury.

▲ CAUTION
Indicates a potential hazard that could result in vehicle damage.

NOTE: Indicating special information which is to make maintenance easier or instructions clearer.

WARNING and **CAUTION** are arranged like this:

▲ WARNING-or-CAUTION
The first part will identify a POTENTIAL HAZARD .
The second part will describe WHAT COULD HAPPEN if you ignore the WARNING or CAUTION .
The third part will describe HOW TO AVOID THE HAZARD .

This user's manual contains important safety and maintenance information. Read it carefully before riding. Failing to follow the warnings contained in this manual could result in **INJURY** or **DEATH**.

It is important that this manual remain with the vehicle when you transfer it to another user or owner.

All information, illustrations, photographs and specifications contained in this manual are based on the latest product information available at the time of publication. Due to improvements or other changes, there will be some discrepancies in this manual. We reserve the right to make product changes at any time, without notice and without incurring any obligation to make the same or similar changes to the vehicle previously built or sold.

SAFE OPERATION

Rules for Safe Operation

A pre-operation check must be conducted before starting the engine. This check will insure safety, prevent mishaps, and prevent damage to components.

It is strongly suggested that all operators take a certified motorcycle rider's course prior to operating the vehicle.

Full attention is required during driving; paying close attention to the following points to avoid any injury to you by other motorized vehicles:

- Do not drive too close to other vehicles.**
- Never carry a passenger. This dirt bike is for one operator only.**
- Never operate this dirt bike at night. Night is defined as the period of time 30 minutes before sunset to 30 minutes after sunrise.**
- Driving at high speeds is the cause of many accidents; do not drive at a speed that the actual situation does not permit.**
- Always avoid operating this dirt bike on paved surfaces, including; sidewalks, paths, parking lots, driveways, streets, roads, and highways. Never operated this or any Off-Road Vehicle on a public street, road or highway where motor vehicles are in operation.**

Pre-Ride Checklist

Before Starting the Engine/Motor

1. Engine oil level
 - a) Check for leaks
 - b) Tighten filler cap securely.
 - c) Add oil if required.

2. Fuel level
 - a) Add fuel as necessary.
 - b) Do not overfill (no fuel in the filler neck).
 - c) Do not mix oil with gas.
 - d) Replace cap tightly.
 - e) Do not refuel a hot engine. Allow engine to cool before adding fuel.

3. Warning decals
 - a) Make sure all warning decals are legible and securely attached.
 - b) Replace as necessary.

4. Tires
 - a) Ensure that both tires are in safe riding condition.
 - b) Both tires must be inflated to the pressure indicated on the tire sidewalls.

5. Drive chain
 - a) Check condition and tension.
 - b) Lubricate and adjust tension as necessary.

6. Throttle
 - a) Check for smooth operation. Make sure the throttle “snaps” back to idle.
 - b) Check for frayed cable or damaged cable housing. Replace damaged cable.
 - c) Check for mud, debris and ice in the throttle cable/mechanism. Clean out any contamination.

SAFETY GEAR

A DOT approved motorcycle helmet is the most important part of you safety gear. A DOT approved motorcycle helmet can help prevent a serious head injury. Choose a helmet that fits snugly. Motorcycle dealers can help in selecting a good quality helmet which fits properly.

▲ WARNING

Operating this Dirt bike without wearing an approved DOT motorcycle helmet, eye protection, and protective clothing could be hazardous.

Operating without an approved DOT motorcycle helmet or eye protection increases your chances of a severe head injury or death in an accident. Operating without protective clothing also increases your chances of severe injury in an accident.

Always wear an approved DOT motorcycle helmet which fits properly. Always wear eye protection (goggles or face shield). You should also wear gloves, boots, long sleeve shirt or jacket, and long pants.

You should wear eye protection when you ride. If a rock or a branch hits your eyes, you could be severely injured. Wear goggles or a face shield.

Wear proper clothing when you ride. The proper clothes can protect you from injury. Wear a good pair of gloves, strong boots that are over the ankle, long pants, and a long sleeve shirt.

LOCATION OF WARNING LABELS

Read and follow all of the warnings labels on your Dirtbike. Make sure you understand all the labels. Keep the labels on the Dirtbike. Do not remove them for any reason. If a label comes off or becomes difficult to read, you should get a replacement by contacting BAJA INC.



1

WARNING

No one under the age of 16 should operate this vehicle without adult supervision.

2

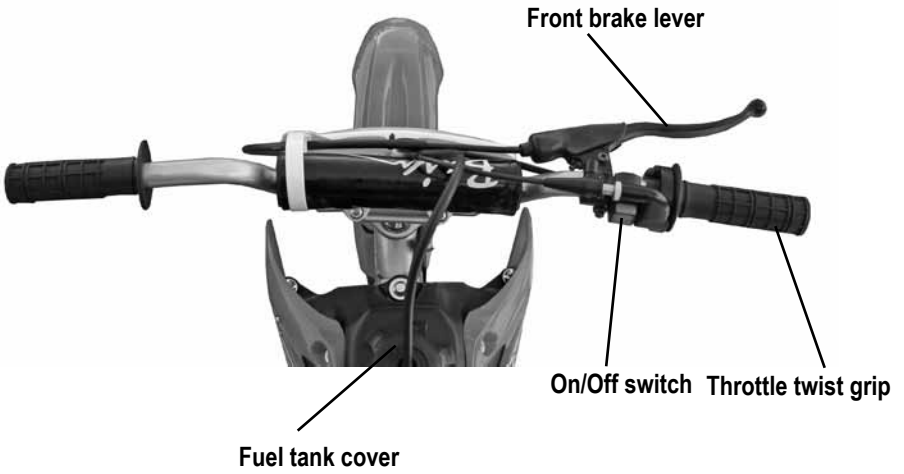
WARNING

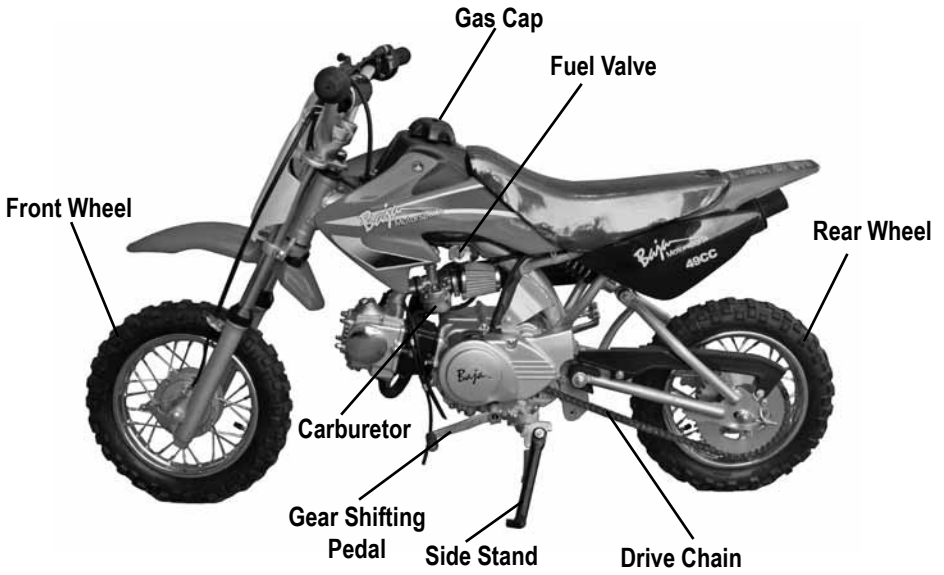
- Study the owner's manual carefully.
- Always wear a helmet, eye protection and protective gear.
- Never operate this vehicle while under the influence of alcohol, drugs or medication of any kind.

MAIN DATA

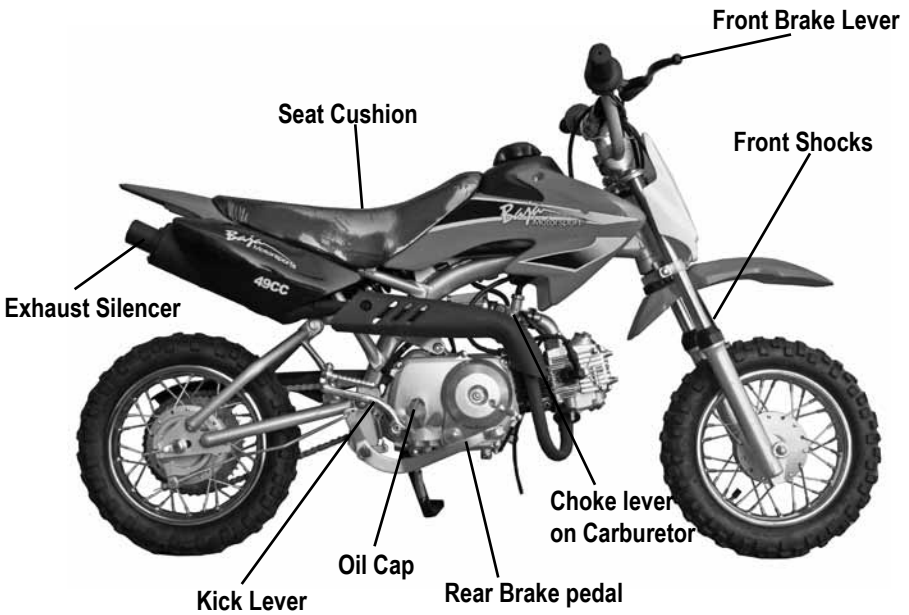
DESCRIPTION	DATA	DESCRIPTION	DATA
Overall length	1420mm (55.91 inches)	Max torque	3.2N.m/6500 r/min
Overall width	450mm (17.72 inches)	Idle speed	1500r/min±150r/min
Overall height	740mm (29.13 inches)	Displacement of cylinder	49mL
Wheelbase	1020mm (10.16 inches)	Spark plug	A7RTC
Dry weight	60kg (132 lbs.)	Front wheel	2.50-10
Payload	75kg (165 lbs.)	Rear wheel	2.50-10
Ground clearance	250mm (9.84 inches)	Ignition means	CDI
Max speed	≥55km/h (34mph)	1st gear	3.273
Transmission	4 gear mesh	2nd gear	1.938
Capacity of fuel tank	3.3L	3rd gear	1.350
Cylinder bore x stroke	39mm X 41.4mm	4th gear	1.043
Compression ratio	8.8:1	Transmission ratio of sprocket	2.929
Max output	2.5KW/8500rpm (3.3hp)	Primary transmission ratio	3.722

PARTS & SUBASSEMBLIES





LEFT



RIGHT

OPERATION

FUEL VALVE

Fuel filling

The capacity of the fuel tank is 3.3L . Unscrew the gas cap by turning it counter clockwise and carefully fill the tank with unleaded gasoline through the opening. **DO NOT MIX GAS AND OIL TOGETHER, THIS IS A 4-STROKE ENGINE.** Replace the gas cap by carefully aligning the threads on the cap and the tank and turning the cap clock wise. Wipe any spilled fuel from the dirt bike using a cloth and dispose of the cloth properly. **DO NOT SMOKE OR REFUEL THE VEHICLE NEAR OPEN FLAMES OR NEAR HEATING UNITS. ONLY REFUEL THE VEHICLE IN OPEN AREAS TO REDUCE THE LIKELIHOOD OF THE BUILD UP OF GASOLINE FUMES.**

Operation of the fuel valve (the valve under the fuel tank)

ON: With the handle of the fuel valve at “ON” position, the fuel supply will flow to the carburetor.

OFF: With the handle of the fuel valve at “OFF” position, the fuel supply will not flow to the carburetor.

RES: If fuel level in the fuel tank becomes too low for engine to stay running while fuel valve is at “ON” position, turn fuel valve to “RESERVE”. Turning fuel valve to “RESERVE” will allow engine to begin using reserve fuel supply. You will need to re-fuel as soon as possible. There is approximately 1L of fuel left in tank when fuel valve is placed at “RESERVE”. Once re-fueled, turn fuel valve back to the “ON “ Position



Fuel Valve ON



Fuel Valve OFF



Fuel Valve RESERVE


ENGINE STARTING

⚠ CAUTION

Verify oil level prior to starting (see page 15)
Starting the engine with low or no oil will damage the engine.

⚠ WARNING

Never start the engine in a closed place as the exhausted gas from the vehicle contains toxic carbon monoxide.

1. Set the key of the ignition switch to “” position.
2. Put the dirt bike in the neutral gear.
3. Ensure that there is fuel in the tank.
4. Set the fuel valve handle to “ON” or “RES” position.

To start a cold engine:

1. Pull up the choke lever of the carburetor (to close the choke).
2. Start the engine with electric start or kick lever
3. Slightly turn the throttle twist grip to increase the speed of the engine so as to warm up the engine.
4. Turn the carburetor choke bar downward to fully open the choke when the engine is sufficiently warmed up.

CLOSED



OPEN




choke lever

⚠ CAUTION

Unnecessarily increasing RPM's to a high level while the dirt bike is in neutral is harmful to the engine.

Procedures for stopping the engine:

1. Release the throttle twist grip to slow down the engine.
2. Shift to the neutral position.
3. Set the ignition switch key to “” position.
4. Set the fuel valve handle to “OFF” position.

BREAKING IN THE ENGINE

The first 600 Miles of operation should be considered the “Break-in” period and special attention shall be paid to the following points:


1. Take special care not to increase the RPM's of the engine while climbing steep slopes. Never drive your dirt bike continuously for more than 30 miles without increasing and decreasing the throttle.
2. The engine shall be warmed up for 3-5 minutes prior to operation so all components are lubricated sufficiently.
3. The driving speed shall not be over 25 MPH maximum during the first 300 miles of operation and not over 40 MPH maximum during the remaining 300 miles of the “Break-In” period.

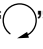


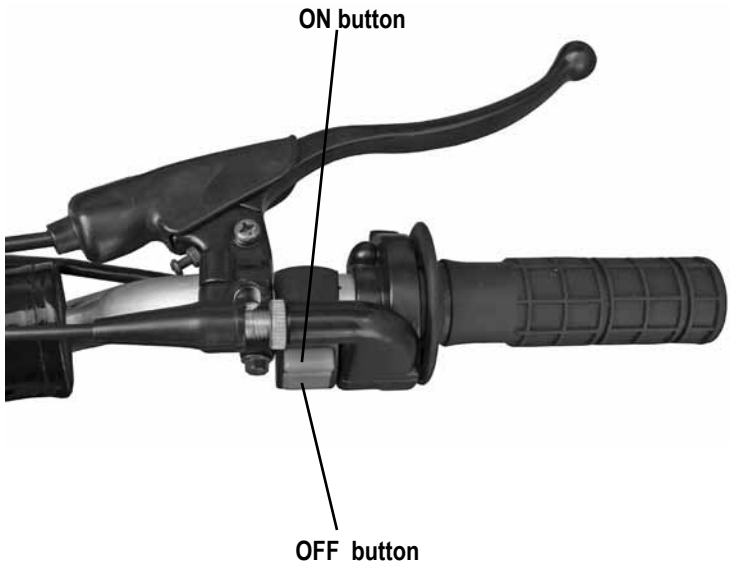
SWITCHES ON RIGHT HANDLEBAR

Ignition switch

The ignition switch is Located on the right handlebar.

When the switch is turned to “” (off) position, the engine will not start. If the engine is running and the Off button is pushed the engine will turn off.

When the switch is turned to “” (on) position, the engine can start by using the kick start lever.



GEAR SHIFTING

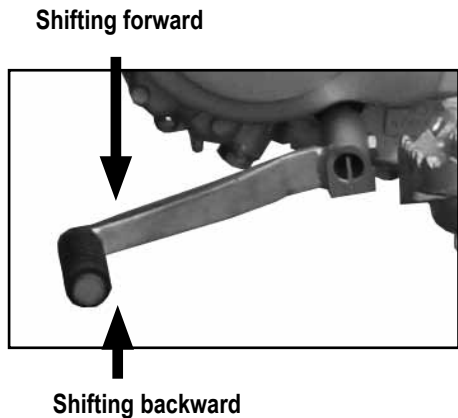
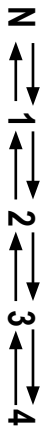
Reduce throttle before shifting. Never increase the throttle while shifting gears.

Depress the gear shift pedal to place the gear in 1st, lift up the lever to shift to 2nd, 3rd, 4th.

Do not place your foot on the gear-shifting pedal while operating the dirt bike to avoid damaging the clutch caused by sudden gear shifting accidentally.

Shifting sequence

- (N) Neutral
- (1) 1st gear
- (2) 2nd gear
- (3) 3rd gear
- (4) 4th gear



Points for Attention during Drive

1. Avoid unnecessary idling of the engine at a high speeds. Doing so will damage the engine components seriously.
2. Only shift to the low speed gears when you feel that there is insufficient power to climb hills or continue forward.
3. Do not use the front brake only or coast using the neutral gear especially when descending or driving at a high speed.
4. Decrease the throttle when braking.

CHECK-UPS, ADJUSTMENT AND MAINTENANCE

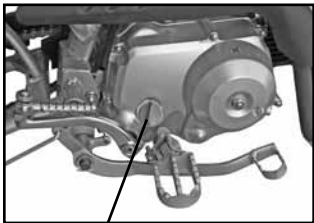
Checking the Oil

Check the engine oil each time prior to operating the dirt bike.

The oil level should be between the upper and lower lines of the oil fill cap/dipstick.

1. Set the motorcycle on level ground. Remove the oil fill cap/dipstick, wipe it clean and then insert the dipstick into the crankcase again to check the oil level. There is no need to screw the oil fill cap/dipstick into its hole in the crankcase.
2. Add lubricating oil to upper line of oil fill cap/dipstick when needed, but do not overfill.
3. Finally screw on oil fill cap/dipstick tightly.

CAUTION
Never start the engine when there is insufficient lubricating oil. Otherwise, it will cause harm to the engine.

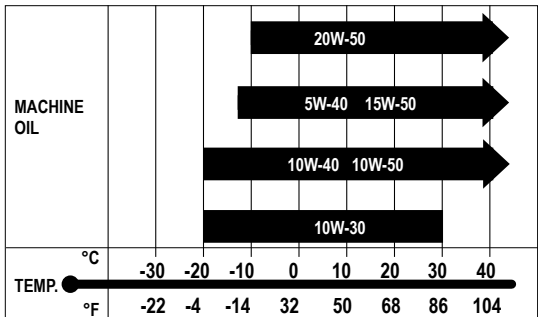


Oil fill cap and dip stick

Lubricating Oil Recommended

The lubricating oil is an important factor affecting the performance and service life of the engine. Please refer to the chart for the correct grade of engine oil based on the environmental conditions in your area. Do not use any other type of oil other than what is recommended in the chart. **DO NOT MIX OIL WITH THE GASOLINE.**

Lubricating oils of different viscosity shall be employed in different regions and at different temperatures.



CHANGING THE OIL

1. Remove the screw plug located at the bottom of the engine and let the oil drain into an approved collection container. **DO NOT PERFORM THIS PROCEDURE WHILE THE ENGINE IS HOT. SERIOUS BURNS COULD RESULT FROM CONTACT WITH HOT OIL.**
2. Dispose of the used oil properly. For proper disposal procedures, contact your local oil recycling center
3. Clean and replace the screw plug tightly.
4. Refill the engine with the proper amount of oil and recheck the amount of oil in the engine by using the oil fill cap/dipstick.



Screw plug

CHECK-UP OF SPARK PLUG

1. Remove the cap of spark plug and screw off the spark plug using the plug wrench.
2. Clean the spark plug all around or replace it if it is corroded or there is too much deposit on it.
3. Regulate the gap of the spark plug to 0.6-0.8mm.

The spark plug of the designated type should be used. The applicable type of spark plug: A7RTC



0.6~0.8mm

VALVE INSPECTION

REFER TO MAINTENANCE SCHEDULE IN THIS OWNER'S MANUAL FOR VALVE ADJUSTMENT INSPECTION INTERVALS.

Valve clearance should be:

Intake:	0.002 inch (0.05 mm)
Exhaust:	0.003 inch (0.076 mm)

The engine will make excess noise if the gap is too large in air valve. If gap is too small valve operation will be hindered which could result in valve malfunction and failure. Therefore, air valve gap must be checked periodically.

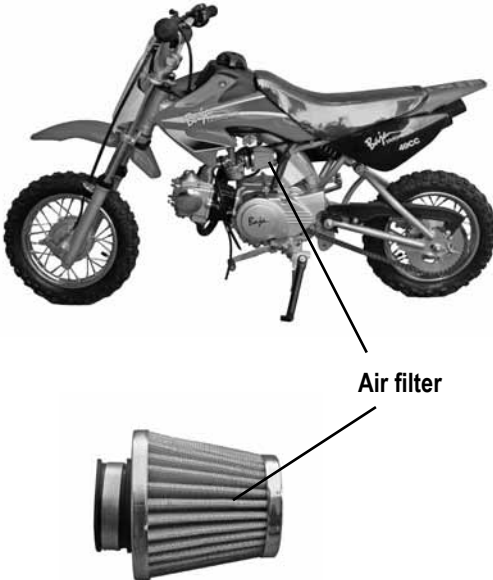
If you have the proper tools and are mechanically proficient, instructions on adjusting the valve clearance are given in the service manual. If assistance is needed please contact Baja Inc. to find your local service center.

CHECKING & CLEANING THE AIR FILTER

Air filter is located under left side plastic cowling. Cowling will need to be removed.

Take the air filter out and check to see if it is dirty or torn.

Tap the air filter clean. If necessary use compressed air to gently clean.



⚠ CAUTION

The air filter element must be intact or the engine will suck in dust and dirt, resulting in a shorter service life of the engine.

Water should be prevented from entering into the filter when washing the vehicle.

The filter element shall be cleaned gently without twisting to prevent it from cracking. Never wash it with gasoline or any acid, alkaline or organic volatile oil to avoid its aging, which will result in reducing the effect of the air filter oil to catch particles before they enter the engine. Replace the filter element with a new one if it is broken or cracked.

ADJUSTING THE THROTTLE CABLE

Make sure the throttle works properly.

Check if the throttle twist grip has the required free operating movement.

The required free operating movement: 2-6mm (.078" - .24") If the grip cannot be moved freely, turn the adjusting nut located on top of the throttle twist grip to ensure proper operating movement.

After adjustment, start the engine and check for the operating movement again. Repeat the adjustment if necessary until the desired operating movement is obtained.

Adjusting nut



ADJUSTING THE CARBURETOR

Adjusting procedures of idling speed:

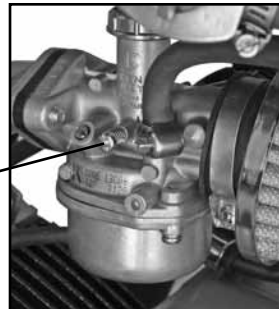
1. Support the vehicle by a stand.
2. Adjust the idling speed by the throttle stop screw to 1500 ± 150 rpm.

⚠ CAUTION

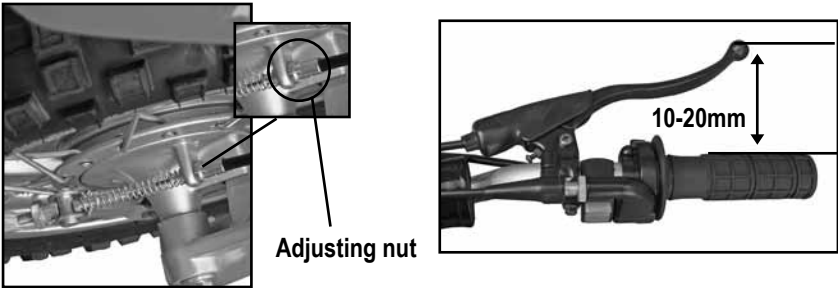
Do not try to correct a malfunctioning carburetor by adjusting the idling speed. If the carburetor is not functioning properly, it should be repaired by a service center.

Adjust idling speed only when the engine is warmed up or 10 minutes after operation.

Idling speed adjusting screw



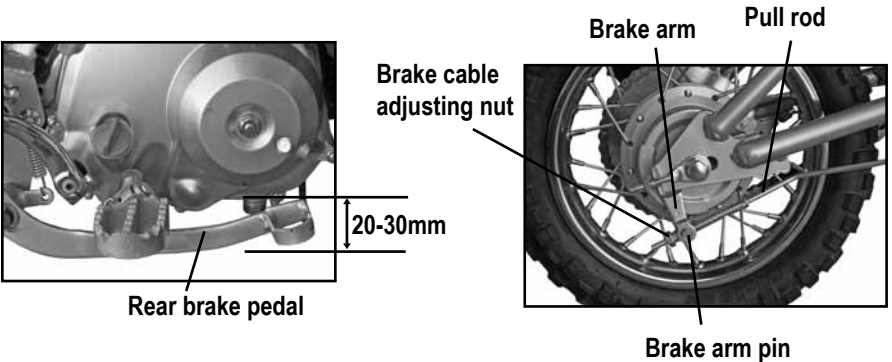
ADJUSTMENT OF FRONT BRAKE



The front brake lever has a free operating movement of 10-20mm as shown.

1. Turn the adjusting nut beneath the front hub, clockwise to increase and counter clockwise to decrease the free operating movement.
2. You can also adjust the nut on the handlebar; clockwise to increase and counter clockwise to decrease the free operating movement.
3. Be sure to tighten the lock nut when adjustment has been made.

ADJUSTMENT OF REAR BRAKE



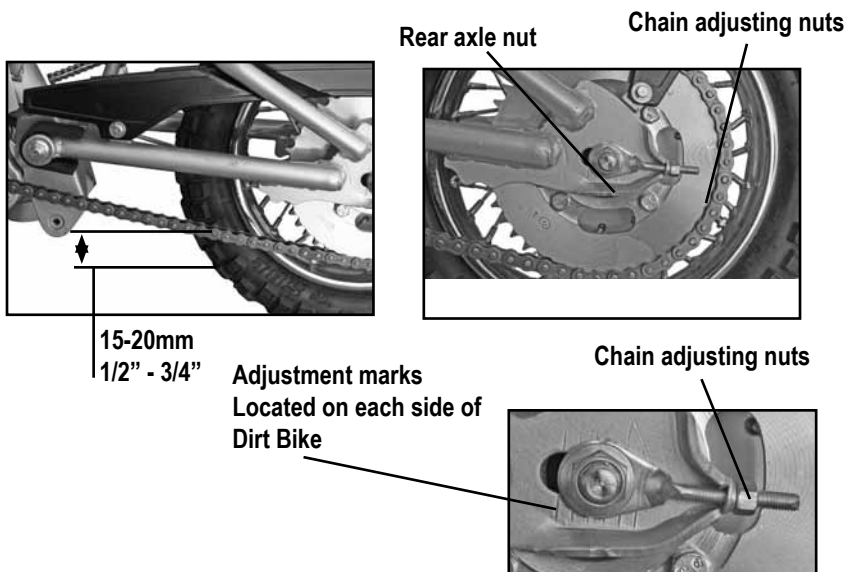
Vehicle should be properly supported before checking by kick stand.

1. The rear brake pedal has a free operating movement of 20-30mm.
2. To make adjustment, turn the rear adjusting nut clockwise to reduce and counter clockwise to increase the free operating movement of the brake pedal.

ADJUSTMENT OF CHAIN

1. When chain adjustment is needed, loosen rear axle nut .
2. Turn the chain adjusting nuts on the left and right sides to adjust the tension of the chain and to align the marking of the chain adjuster with the engraved lines in the similar position on both sides.
3. Tighten rear axle bolt by a torque of 35-50Nm (25-37 ft.lb.).
4. Repetitively check the tension of the chain.

When the rear wheel is changed in position and the chain adjusted, the free operating movement of the brake pedal will be affected, which, therefore, should be checked thereafter and also adjusted if necessary.



GREASING PROCEDURES TO THE DRIVING CHAIN

1. Shut off the engine
2. Add light amounts of machine oil or chain grease to the driving chain.
(Too much machine oil or chain grease may cause splattering to occur.)

Attention:

The chain should be replaced when the adjusting limit has reached it's maximum.

EXHAUST

▲ WARNING

The hot exhaust muffler could burn you.

The muffler will be hot enough to burn you after stopping the engine.

Wait until the exhaust muffler cools to remove it.

▲ WARNING

Running the engine indoors or in a garage could be hazardous.

Exhaust gas contains carbon monoxide that is colorless and odorless. It could cause serious injury or death.

Only run the engine outdoors where there is fresh air.

▲ WARNING

Blowing out the accumulated hot carbon particles where there is flammable material could cause a fire.

Exhausted hot carbon particles could catch fire.

TROUBLESHOOTING

This troubleshooting guide is provided to help you to find the cause of some common complaints.

COMPLAINT: Engine is hard to start or does not start at all. Something is probably wrong with the fuel system or ignition system.

CAUTION

Failing to troubleshoot a problem correctly would damage your Dirt Bike.

Improper repairs or adjustments may damage the vehicle. Such damage may not be covered under warranty. If you are not sure about the proper action, consult your authorized service center or BAJA INC. about the problem.

Fuel Supplying Check

1. Make sure there is adequate fuel in the fuel tank.
2. Check that the engine stop switch is in the “RUN “ position.
3. Check that the fuel valve is in the “ON” position.
4. Make sure there is enough fuel reaching the carburetor from the fuel tank.

WARNING

Draining fuel from the carburetor could be hazardous.

Fuel could catch fire if you do not handle it properly.

When draining the carburetor, be sure to shut the engine off. Do not smoke, and never drain or refuel in an area where there are open flames or sparks. Do not spill the fuel or you may create a fire hazard. Dispose of drained fuel properly.

- a. Loosen the drain screw which is located under the carburetor. Drain the fuel from the carburetor into a container.
- b. Tighten the drain screw.
- c. Run the engine for a few seconds. Shut off engine.
- d. Loosen the drain screw and check that the carburetor is filled back up with fuel.
- e. If fuel is reaching the carburetor, the ignition system should be checked next.

Ignition System Check

1. Remove the spark plug and reattach it to the spark plug lead.



2. Turn engine switch to “ON”. Start the engine. If the ignition system is operating properly, a blue spark should jump across the spark plug gap. If there is no spark, take your machine to your service center.

▲ WARNING

Performing the spark test improperly could be hazardous.

You could get a high voltage electrical shock if you are not familiar with this procedure.

Do not perform this check if you are not familiar with the procedure.
Do not point the spark plug near the spark plug hole during this test.
Do not do this test if you have a heart condition or wear a pacemaker.
Do not perform this test is any near any open fuel containers for near fuel which has spilled on the ground, on the engine, or any part of the ATV.

COMPLAINT: Engine stalls

1. Make sure there is enough fuel in the fuel tank.
2. Check to see that the spark plug is not fouled. Remove the spark plug and clean it. Replace it, if necessary.
3. Make sure the fuel valve is not clogged, and the fuel tank is not clogged, either.
4. Check the idle speed. If necessary, adjust it using a tachometer. The correct idle speed is 1400~1600 r/min.
5. Make sure the air filter is clean.

VEHICLE WASHING

Cleaning the vehicle regularly can slow down color fading. It will also make it easier to check to see if there is any damage and/or any oil leakage.

CAUTION

Washing the motorcycle with over-pressurized water may cause damage to some of its components. Therefore, do use a pressure washer to clean the vehicle. The following parts should be cleaned using low pressure water:

- Wheel hub
- Exhaust pipe
- Fuel tank and lower portion of cushion
- Carburetor
- Head lock and ignition switch
- Meters

1. After pre-wiping, the vehicle should be washed with clean water to remove dirty residues so as to prevent corrosion. Plastic subassemblies should be cleaned by wiping with a cloth or foam soaked in neutral detergent solution, followed by washing with clean water.
2. After the cleaned vehicle is air dried, grease the chain and run the engine at idling speed for a few minutes.
3. Prior to driving, carefully check the braking system repeatedly and repair or adjust it if necessary.

INSTRUCTIONS FOR STORAGE

If the vehicle is not going to be used for a long period of time, for example, in winter time, some steps should be taken to prevent malfunction of and damage to its components which might be caused by long storage. Before storing the vehicle for a long period, proper maintenance has to be carried in case maintenance is not completed when the vehicle is put back into use after storage.

1. Change engine oil and clean oil filter.
2. Drain off fuel from the fuel tank and carburetor, spray atomized anti-rust oil onto the inside wall of the tank and then close the tank. Dispose of any drained fuel properly so as not to adversely affect the environment.



Carburetor Drain screw


Attention:

If the storage will last for more than one month, fuel in the carburetor must be fully drained. This will help ensure that the carburetor maintains its normal performance after the storage.

▲ WARNING

Gasoline is flammable and may cause fire and even an explosion under certain conditions. Therefore, do not smoke, make a fire or have any fire around while draining off fuel.

3. Take out the spark plug, pour about 15-20ml (.5 - .68 oz.) of clean engine oil into the cylinder, step down on the kick lever repetitively several times so as to have machine oil distributed all over the engine and finally fit the spark plug back on.

Attention: The ignition switch must be set to “” (OFF) position before stepping down on the kick lever. To protect the ignition system from damage, the spark plug should be inserted in its cap and grounded.

4. Wash the vehicle clean, wipe it dry and apply an even coat of wax to the painted surface and a coat of anti-rust oil on the chrome-plated surfaces.
5. Inflate the tires as required and put the vehicle up on wooden blocks with the two wheels clearing the ground.
6. Put the vehicle in a shady and cool place free from humidity and direct sunlight and cover it properly (not with plastic or other painted materials). If there is a garage, store it within.

RESUMPTION OF SERVICE AFTER STORAGE

1. Remove the covering and remove the wooden blocks used in storing the vehicle. Change the engine oil if the vehicle has been out of service for over 4 months.
2. Drain off the remaining atomized anti-rust oil from the fuel tank, followed by filling it with fresh gasoline therein.
3. Prior to driving, all the required check-ups must be made. It is better to drive it at a low speed in an open area to test its performance before normal operation.

TABLE AND TORQUE OF FASTENERS

Ser. No.	Fastener	Torque (Newton/m) (Foot/lb)
1	Front wheel axle nut	35-45Nm (26-33 ft.lb.)
2	Rear wheel axle nut	50-60Nm (37-44 ft.lb.)
3	Nut for tightening upper joining plate of front fork with vertical tube	40-50Nm (30-37 ft.lb.)
4	Nut for fixing engine	20-25Nm (15- 18 ft.lb.)
5	Rear arm nut	35-50Nm (26-37 ft.lb.)
6	Bolt for tightening upper joining plate of front fork with shock absorber	15-20Nm (11-15 ft.lb.)
7	Bolt for fixing footrest	20-25Nm (15-18 ft.lb.)

RESUMPTION OF SERVICE

1. Remove the covering and clean the vehicle. Change the lubricating oil if the vehicle has been off service for more than 4 months.
2. Charge the battery, if applicable, and remount it.
3. Drain off the anti-rust solution from the fuel tank, followed by filling fuel therein to the required level.
4. Prior to driving, test the vehicle at a low speed in a safe place.

MAINTENANCE ROUTINE DIAGRAM

The vehicle should be under good maintenance as specified in the following table, where:

“I” means: Check, cleaning, adjustment, lubrication and/or replacement are needed

“C” means: Cleaning is needed.

“R” means: Replacement is needed.

“A” means: Adjustment is needed.

“L” means: Lubrication is needed.

“**” means: This item of maintenance should be carried out at a service center. It may be also done by the user with reference to this manual provided special tools and authorized spare parts are used. The user must also be capable of completing the procedure.

“***” means: This item can only be carried out by an authorized service center in order to ensure safety.

Notes:

1. Maintenance should be conducted more frequently when the motorcycle is driven in dusty areas.
2. When the vehicle has exceeded the maximum figures specified in the table, maintenance should be still cycled according to the intervals of mileage stated herein.

INSPECTION AND MAINTENANCE

It is very important to inspect and maintain your DR49 regularly. Follow the guidelines in the chart. The intervals between periodic services in months are shown. At the end of each interval be sure to perform the maintenance listed.

MAINTENANCE SCHEDULE

Item	Initial 1 months/ 20 hrs	Initial 3 Months/ 50 hrs	Every 3 Months/ 50 hrs	Every 6 Months/ 100 hrs
* Valves	I			I
Spark Plug		C	C	R
Valve clearance-Check-Adjust				I
Air Filter	I Every 20 - 40 hours (more often in dusty areas)			
* Carburetor		I		I
* Exhaust system				I
Spark arrester				I
Fuel hose		I		I
Engine Oil	R			R
Brakes	I	I	I	
Chain tension	I	I	I	I
Wheels	I			I
Wheel bearings	I			I
Front and rear suspension				I
Steering system	I	I	I	
* Steering shaft lubrication (use Li grease)				L
Fittings and Fasteners	T	T	T	

* Should be completed by an authorized service center

I=Inspect and clean, adjust, lubricate or replace, if necessary.

C=Clean

R=Replace

T=Tighten

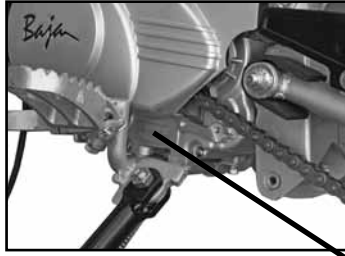
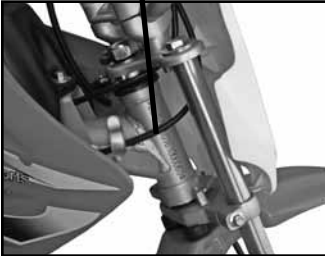
L= Lubricate

SERIAL NUMBER LOCATION

You need to know the frame and engine serial numbers to get title documents for your Dirt Bike. You also need these numbers to help your authorized service center or BAJA INC. order parts.

The Frame number is stamped on front of Dirt bike frame. The engine number is located on the left side of the engine housing.

Frame number



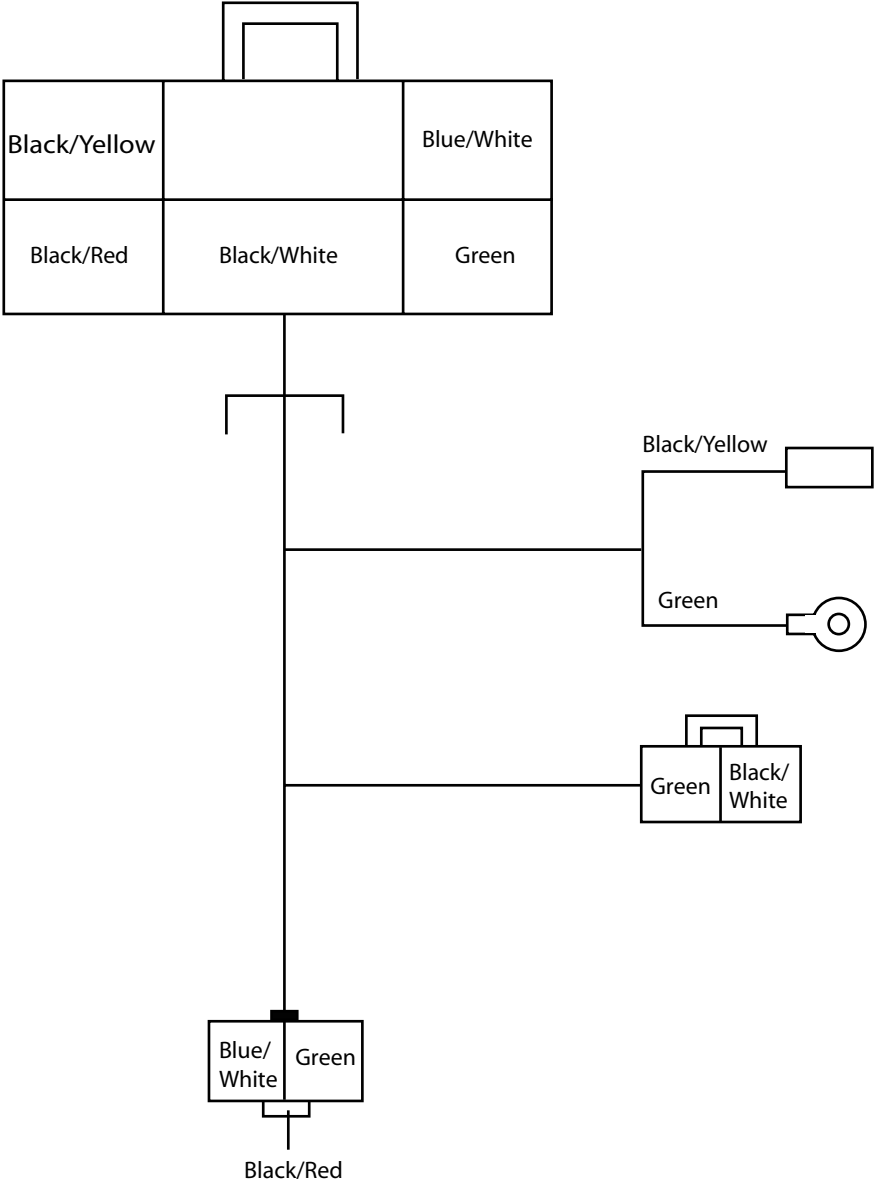
Engine serial number

Write down the serial numbers here for your future reference

Frame No.:

Engine No.:

DR49 ELECTRICAL DIAGRAM



BAJA INC. – EMISSION CONTROL SYSTEM WARRANTY

YOUR WARRANTY RIGHTS AND OBLIGATIONS

THE EMISSION CONTROL SYSTEM WARRANTY PERIOD FOR THIS VEHICLE BEGINS ON THE DATE THE VEHICLE IS DELIVERED TO THE FIRST PURCHASER OTHER THAN AN AUTHORIZED DEALER, OR THE DATE IT IS FIRST USED AS A DEMONSTRATOR, LEASE, OR COMPANY VEHICLE, WHICHEVER COMES FIRST AND CONTINUES FOR 60 MONTHS AFTER THAT DATE, OR 5,000KM, WHICHEVER COMES FIRST, PROVIDED THERE HAS BEEN NO ABUSE, NEGLIGENCE OR IMPROPER MAINTENANCE OF YOUR VEHICLE. WHERE A WARRANTABLE CONDITION EXISTS, THE DISTRIBUTOR WILL REPAIR YOUR VEHICLE AT NO COST TO YOU, INCLUDING DIAGNOSIS, PARTS AND LABOR. IF AN EMISSION-RELATED PART ON YOUR VEHICLE IS DEFECTIVE, THE PART WILL BE REPAIRED OR REPLACED BY THE DISTRIBUTOR. THIS IS YOUR EMISSION CONTROL DEFECTS WARRANTY.

OWNER'S WARRANTY RESPONSIBILITIES

AS THE VEHICLE OWNER, YOU ARE RESPONSIBLE FOR THE PERFORMANCE OF THE REQUIRED MAINTENANCE. YOU SHOULD MAINTAIN A RECORD OF ALL MAINTENANCE PERFORMED ON YOUR VEHICLE AND RETAIN ALL RECEIPTS COVERING MAINTENANCE ON YOUR VEHICLE. YOU MAY NOT BE DENIED A WARRANTY CLAIM SOLELY BECAUSE OF YOUR FAILURE TO ENSURE THE PERFORMANCE OF ALL SCHEDULED MAINTENANCE OR LACK OF MAINTENANCE RECORDS OR RECEIPTS. YOU ARE RESPONSIBLE FOR PRESENTING YOUR VEHICLE TO AN AUTHORIZED DEALER AS SOON AS A PROBLEM EXISTS. THE WARRANTY REPAIRS SHOULD BE COMPLETED IN A REASONABLE AMOUNT OF TIME, NOT TO EXCEED 30 DAYS.

AS THE VEHICLE OWNER, YOU SHOULD BE AWARE THAT YOU MAY BE DENIED YOUR WARRANTY COVERAGE IF YOUR VEHICLE OR A PART HAS FAILED DUE TO ABUSE, NEGLIGENCE, IMPROPER MAINTENANCE, OR UNAPPROVED MODIFICATIONS.

WARRANTY COVERAGE

THE DISTRIBUTOR WARRANTS THAT EACH NEW 2009 AND LATER VEHICLE:

- **IS DESIGNED, BUILT, AND EQUIPPED SO AS TO CONFORM AT THE TIME OF INITIAL RETAIL PURCHASE WITH ALL APPLICABLE REGULATIONS OF THE UNITED STATES ENVIRONMENTAL PROTECTION AGENCY, AND THE CALIFORNIA AIR RESOURCES BOARD; AND**
- **IS FREE FROM DEFECTS IN MATERIAL AND WORKMANSHIP WHICH CAUSE SUCH VEHICLE TO FAIL TO CONFIRM WITH APPLICABLE REGULATIONS OF THE UNITED STATES ENVIRONMENTAL PROTECTION AGENCY OR THE CALIFORNIA AIR RESOURCES BOARD FOR THE PERIODS SPECIFIED ABOVE.**

YOUR EMISSION CONTROL SYSTEM WARRANTY COVERS COMPONENTS WHOSE FAILURE WOULD INCREASE AN ENGINE'S EMISSION, INCLUDING ELECTRONIC CONTROLS, FUEL INJECTION SYSTEM, CARBURETOR, THE IGNITION SYSTEM, CATALYTIC CONVERTER, OR ANY OTHER SYSTEM UTILIZED IN THIS VEHICLE TO CONTROL EMISSION IF IT IS ORIGINALLY EQUIPPED. ALSO INCLUDED MAY BE HOSES, CONNECTORS AND OTHER EMISSION-RELATED ASSEMBLIES. REPLACING OR REPAIRING OTHER COMPONENTS (INCLUDING PARTS, LABOR, AND OTHER COSTS) NOT COVERED BY THIS EMISSION CONTROL SYSTEM WARRANTY OR THE STANDARD WARRANTY IS THE RESPONSIBILITY OF THE OWNER.

COVERAGE OF REPAIRS UNDER THIS WARRANTY APPLIES ONLY WHEN REPAIRS ARE COMPLETED AT AN AUTHORIZED DEALER OR REPAIR FACILITY. THE DISTRIBUTOR WILL NOT COVER REPAIRS PERFORMED OUTSIDE OF AN AUTHORIZED DEALER OR REPAIR FACILITY. THE USE OF REPLACEMENT PARTS NOT EQUIVALENT TO THE ORIGINAL PARTS MAY IMPAIR THE EFFECTIVENESS OF YOUR VEHICLE'S EMISSION CONTROL SYSTEM. IF SUCH A REPLACEMENT PART IS USED AND AN AUTHORIZED DEALER DETERMINES IT IS DEFECTIVE OR CAUSES A FAILURE OF A WARRANTED PART, YOUR CLAIM FOR REPAIR TO BRING YOUR VEHICLE INTO COMPLIANCE WITH APPLICABLE STANDARDS MAY BE DENIED.

THIS EMISSION CONTROL SYSTEM WARRANTY IS IN ADDITION TO THE STANDARD LIMITED WARRANTY.

EXCLUSIONS AND LIMITATIONS

THIS WARRANTY DOES NOT COVER THE FOLLOWING:

- **FAILURES OR MALFUNCTIONS OF THE EMISSION CONTROL SYSTEMS CAUSED BY ABUSE, ALTERATION, ACCIDENT, MISUSE, THE USE OF LEADED GASOLINE.**
- **REPLACEMENT OF EXPENDABLE MAINTENANCE ITEMS UNLESS THEY ARE ORIGINAL EQUIPMENT DEFECTIVE IN MATERIAL OR WORKMANSHIP UNDER NORMAL USE, AND THE FIRST REQUIRED REPLACEMENT INTERVAL FOR THE ITEM HAS NOT BEEN REACHED. EXPENDABLE MAINTENANCE ITEMS INCLUDE BUT NOT LIMITED TO SPARK PLUGS, FILTERS, COOLANT, LUBRICANTS, GASKETS, HOSES, AND BELTS.**
- **REPLACEMENTS OF PARTS AND OTHER SERVICES AND ADJUSTMENTS FOR REQUIRED MAINTENANCE.**
- **ANY VEHICLE EQUIPPED WITH AN ODOMETER OR HOUR METER WHERE THE READING IS ALTERED SO THAT ACTUAL MILEAGE CANNOT BE READILY DETERMINED.**
- **REPAIRS OR REPLACEMENTS AS A RESULT OF:**
 - O ACCIDENT**
 - O MISUSE**

O USE OF REPLACEMENT PARTS OR ACCESSORIES NOT CONFORMING TO THE ORIGINAL SPECIFICATIONS WHICH ADVERSELY AFFECT PERFORMANCE

- **PHYSICAL DAMAGE, CORROSION, OR DEFECTS CAUSED BY FIRE, EXPLOSIONS OR SIMILAR CAUSES BEYOND THE CONTROL OF THE DISTRIBUTOR.**
- **FAILURES NOT CAUSED BY A DEFECT IN MATERIAL OR WORKMANSHIP.**

USE OF THE VEHICLE IN ANY TYPE OF COMPETITIVE RACING OR RELATED EVENTS IMMEDIATELY AND COMPLETELY VOIDS THIS AND ALL OTHER WARRANTIES.

LIMITED LIABILITY

THE LIABILITY OF THE DISTRIBUTOR UNDER THIS EMISSION CONTROL SYSTEM WARRANTY IS LIMITED SOLELY TO THE REMEDYING OF DEFECTS IN MATERIAL WORKMANSHIP BY AN AUTHORIZED DEALER AT ITS PLACE OF BUSINESS DURING CUSTOMARY BUSINESS HOURS. THIS WARRANTY DOES NOT COVER INCONVENIENCE OR LOSS OF USE OF THE VEHICLE OR TRANSPORTATION OF THE VEHICLE TO/FROM THE AUTHORIZED DEALER. THE DISTRIBUTOR IS NOT LIABLE TO ANY PERSON FOR INCIDENTAL, CONSEQUENTIAL OR SPECIAL DAMAGES OF ANY DESCRIPTION, WHETHER ARISING OUT OF EXPRESS OR IMPLIED WARRANTY OR ANY OTHER CONTRACT, NEGLIGENCE OR OTHER TORT OR OTHERWISE.

NO EXPRESS EMISSION CONTROL SYSTEM WARRANTY IS GIVEN BY THE DISTRIBUTOR EXCEPT AS SPECIFICALLY SET FORTH HEREIN. ANY EMISSION CONTROL SYSTEM WARRANTY IMPLIED BY LAW, INCLUDING ANY WARRANTY OF MERCHANTABILITY OR FITNESS FOR A PARTICULAR PURPOSE IS LIMITED TO THE EXPRESS EMISSION CONTROL SYSTEM WARRANTY TERMS STATED IN THIS WARRANTY. THE FOREGOING STATEMENTS OF WARRANTY ARE EXCLUSIVE AND IN LIEU OF ALL OTHER REMEDIES. ALL EXPRESS WARRANTIES NOT STATED IN THIS WARRANTY ARE DISCLAIMED. SOME STATES DO NOT ALLOW LIMITATIONS ON HOW LONG AN IMPLIED WARRANTY LASTS, SO THE ABOVE LIMITATIONS MAY NOT APPLY IF IT IS INCONSISTENT WITH THE CONTROLLING STATE LAW.

NO DEALER IS AUTHORIZED TO MODIFY THIS EMISSION CONTROL SYSTEM WARRANTY. IF YOU HAVE ANY QUESTIONS REGARDING YOUR WARRANTY RIGHTS AND RESPONSIBILITIES, YOU SHOULD CONTACT BAJA INC. (888) 863-2252.



Baja, INC.

P.O. Box 61150

Phoenix, AZ. 85082

Tel: 602-443-9180

Toll Free: 888-863-2252