



Power Pruner™

Operator's Manual

MODELS:

PPT-2100 TYPE 1/1E

Serial Number 510493 & Up

PPT-2400 TYPE 1/1E

Serial Number 526263 & Up

WARNING DANGER



The muffler or catalytic muffler and surrounding cover may become extremely hot.

Always keep clear of exhaust and muffler area, otherwise serious personal injury may occur.



WARNING



The engine exhaust from this product contains chemicals known to the State of California to cause cancer, birth defects or other reproductive harm.



WARNING DANGER

Read rules for safe operation and instructions carefully. ECHO provides an Operator's Manual and a Safety Manual. Both must be read and understood for proper and safe operation.

INTRODUCTION

Welcome to the ECHO family. This ECHO product was designed and manufactured to provide long life and on-the-job-dependability. Read and understand this manual and the SAFETY MANUAL you found in the same package. You will find both easy to use and full of helpful operating tips and SAFETY messages.

WARNING DANGER

Read rules for safe operation and instructions carefully. ECHO provides an Operator's Manual and a Safety Manual. Both must be read and understood for proper and safe operation.

THE OPERATOR'S MANUAL --

contains specifications and information for operation, starting, stopping, maintenance, storage and assembly specific to this product.

THE SAFETY MANUAL —

explains possible hazards involved with the use of Power Pruner™ and what measures you should take to make their use safer.

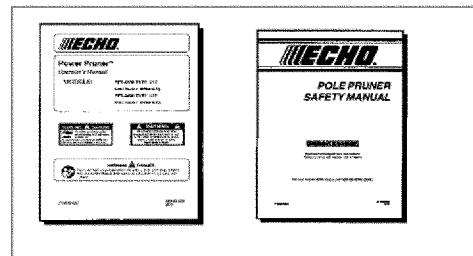


TABLE OF CONTENTS

Introduction	2	Operation	20
- The Operator's Manual	2	- Starting Cold Engine	21
- The Safety Manual	2	- Starting Warm Engine	22
Manual Safety Symbols & Important Information	3	- Stopping Engine	22
Safety	3	- Pruning Technics	23
- Decals	3	Maintenance	23
- International Symbols	4	- Skill Levels	23
- Equipment	4	- Maintenance Intervals	24
- Fuel	5	- Air Filter	25
- Personal Condition & Safety Equipment	6	- Fuel Filter	25
- Safe Operation	7	- Spark Plug	26
- Kickback	8	- Cooling System Cleaning	26
- Extended Operation/Extreme Conditions	9	- Exhaust System	27
Description	10	- Carburetor Adjustment Emissions	28
- Contents	10	- Carburetor Adjustment Non Emissions	29
- Emission Control	10	- Guide Bar and Saw Chain Replacement	30
Specifications	13	- Filing Saw Chain	31
Assembly	14	Troubleshooting	32
- Shaft Tube / Power Head	14	Storage	33
- Cutting Attachment to Shaft Tube Installation	14	Servicing Information	36
- Throttle Linkage Installation	15	- Parts	36
- Saw Chain Tension Adjustment	16	- Service	36
Pre-Operation	17	- ECHO Consumer Product Support	36
- Fuel	17	- Warranty Card	36
- Lubricating the Guide Bar and Saw Chain	18	- Additional or Replacement Manuals	36
- Adjusting Automatic Oiler	19	- Manual Ordering Instructions	36
- Equipment Check	19	* Operator Manual Supplement	37
- Determine Operation Area	20		

Specifications, descriptions and illustrative material in this literature are as accurate as known at the time of publication, but are subject to change without notice. Illustrations may include optional equipment and accessories, and may not include all standard equipment.

MANUAL SAFETY SYMBOLS AND IMPORTANT INFORMATION

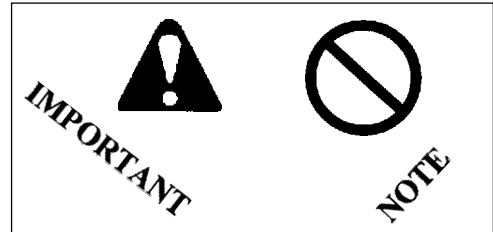
Throughout this manual and on the product itself, you will find safety alerts and helpful, information messages preceded by symbols or key words. The following is an explanation of those symbols and key words and what they mean to you.



This symbol accompanied by the words **WARNING** and **DANGER** calls attention to an act or condition that can lead to serious personal injury to operator and bystanders.



The circle with the slash symbol means whatever is shown within the circle is prohibited.



IMPORTANT The enclosed message provides information necessary for the protection of the unit.

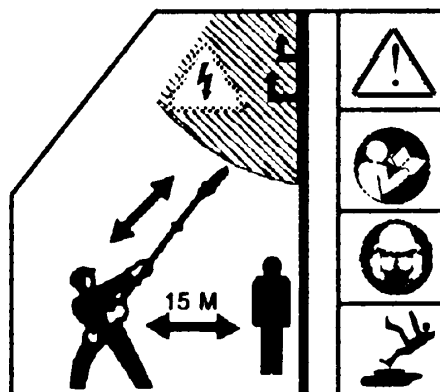
NOTE This enclosed message provides tips for use, care and maintenance of the unit.

SAFETY

DECALS

Locate this safety decal on your unit. The complete unit illustration found in the "DESCRIPTION" section, will help you locate them. Make sure the decals are legible and that you understand and follow the instructions on them. If a decal cannot be read, a new one can be ordered from your ECHO dealer. See PARTS ORDERING instructions for specific information.

Engine Cover



INTERNATIONAL SYMBOLS

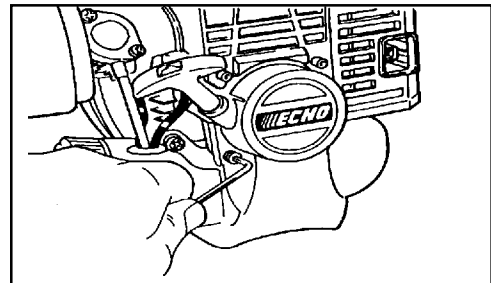
Symbol form/shape	Symbol description/application	Symbol form/shape	Symbol description/application
	Read and understand Operator's Manual.		Fuel and oil mixture
	Wear eyes, ears and head protection		Finger Severing
	Hot Surface		Wear hand protection. Use two handed.
	Safety/Alert		DO NOT smoke near fuel.
	Avoid all power lines. This unit is not insulated against electrical current.		Do not operate closer than 15 M (50 ft.) from electrical hazards.
	Keep bystanders at least 15 meters (50 feet) away.		Plan retreat path from falling objects.

Symbol form/shape	Symbol description/application	Symbol form/shape	Symbol description/application
	DO NOT allow flames or sparks near fuel.		Wear slip resistant foot wear.
	Engine choke control.		Ignition ON/OFF
	Emergency stop		Primer bulb
	Chain lubrication		Carburetor adjustment - High speed mixture
	Carburetor adjustment - Low speed mixture		Carburetor adjustment - Idle speed

EQUIPMENT

Before operation a complete check of the unit must be performed;

- Check unit for loose/missing nuts, bolts and screws. Tighten and/or replace as needed.
- Inspect fuel lines, tank and area around carburetor for fuel leaks. DO NOT operate unit if leaks are found.
- Never adjust the guide bar or saw chain when the engine is operating.



Guide Bar and Saw Chain

WARNING DANGER

- Serious injury may result from the use of non approved guide bar and saw chain combinations. Read and comply with all safety instructions listed in this manual.
- ECHO, INC. will not be responsible for the failure of cutting devices or accessories which have not been tested and approved by ECHO for use with this unit.

- Check that the cutting attachment, guide bar and saw chain is firmly attached and in safe operating condition.
- Only use ECHO approved guide bar and saw chain.
- Only use one ECHO approved extension on the pruner.
- Do not hit rocks, stones, tree stumps and other foreign objects with the saw chain.



- Do not cut into the ground with the saw chain.
- If cutting attachment end strikes an obstruction, stop engine immediately and inspect saw chain for damage.
- Do not operate with a dull, fractured or discolored saw chain.
- Remove all foreign objects from work area.
- Always cover the guide bar and saw chain with guide bar cover during transportation and in storage.

IMPORTANT

Some tree sap and resins are corrosive. Thoroughly wash the guide bar and sprocket areas after each use, then coat metal parts with light oil.

FUEL

WARNING DANGER

Fuel is **VERY** flammable. Use extreme care when mixing, storing or handling, or serious personal injury may result.

- Use an approved fuel container.
- DO NOT smoke near fuel.
- DO NOT allow flames or sparks near fuel.
- Fuel tanks/cans may be under pressure. Always loosen fuel caps slowly allowing pressure to equalize.
- NEVER refuel a unit when the engine is HOT!
- NEVER refuel a unit with the engine running.
- DO NOT fill fuel tanks indoors. ALWAYS fill fuel tanks out doors over bare ground.
- Securely tighten fuel cap after refueling.
- Inspect for fuel leakage. If fuel leakage is found, do not start or operate unit until leakage is repaired.

IMPORTANT

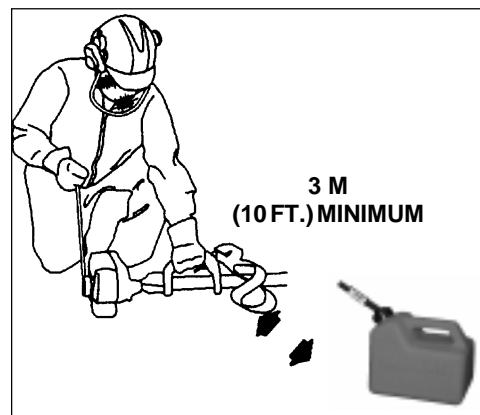
Spilled fuel is a leading cause of hydrocarbon emissions. Some states may require the use of automatic fuel shut-off containers to reduce fuel spillage. Contact your ECHO dealer for ordering information.

After Refueling;

- Wipe any spilled fuel from the unit.
- Move at least 3 M (10 ft.) from refueling location before starting.

After Use;

- DO NOT store a unit with fuel in its tank. Leaks can occur. Return unused fuel to an approved fuel storage container.



PERSONAL CONDITION & SAFETY EQUIPMENT

WARNING DANGER

Power Pruner™ users risk injury to themselves and others if the Power Pruner™ is used improperly and or safety precautions are not followed. Proper clothing and safety gear must be worn when operating a Power Pruner™.

Physical Condition --

Your judgment and physical dexterity may not be good:

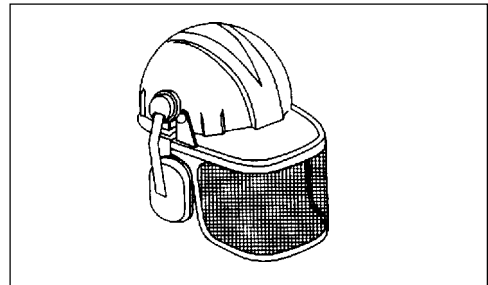
- if you are tired or sick,
- if you are taking medication,
- if you have taken alcohol or drugs.

Operate unit only if you are physically and mentally well.



Eye Protection --

Wear eye protection that meets ANSI Z87.1 or CE requirements whenever you operate the Power Pruner™.

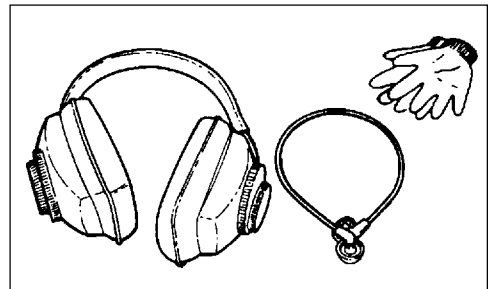


Face & Head Protection --

When trimming overhead, always wear head protection meeting ANSI Z89.1 or CE requirements with a full face shield. Head protection with full face shield will help protect you from falling branches and debris.

Hand Protection --

Wear no-slip, heavy duty work gloves to improve your grip on the Power Pruner™ handles. Gloves also reduce the transmission of machine vibration to your hands.



Hearing Protection --

ECHO recommends wearing hearing protection whenever unit is used.

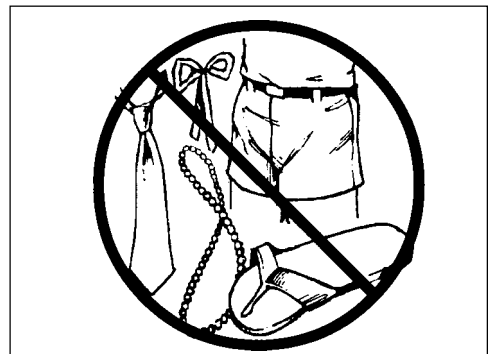
Proper Clothing --

Wear snug fitting, durable protective clothing; chain saw safety pants or chaps are recommended.

- Pants should have long legs, shirts with long sleeves.
- **DO NOT WEAR SHORTS,**
- **DO NOT WEAR TIES, SCARVES, JEWELRY.**

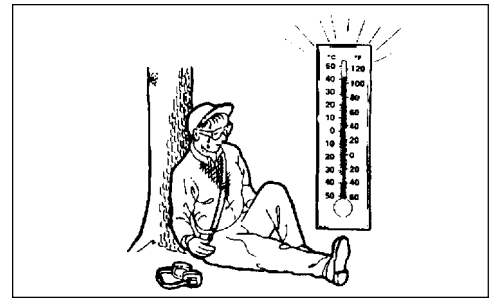
Wear sturdy protective safety shoes or boots with non-skid soles;

- **DO NOT WEAR OPEN TOED SHOES,**
- **DO NOT OPERATE UNIT BAREFOOTED.**



Hot Humid Weather --

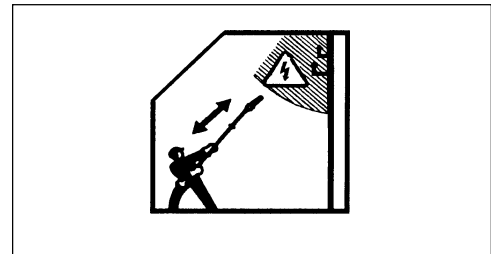
Heavy protective clothing can increase operator fatigue which may lead to heat stroke. Schedule heavy work for early morning or late afternoon hours when temperatures are cooler.



SAFE OPERATION

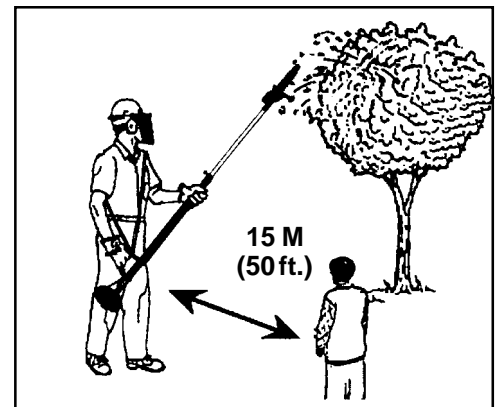
WARNING DANGER

All over head electrical conductors and communications wires can have electricity flow with high voltages. Never touch wires directly or indirectly when pruning, otherwise serious injury or death may result.



Determine Operation Area

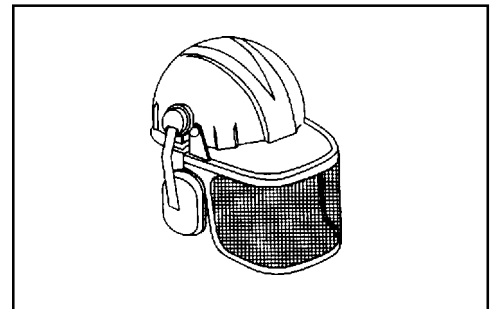
- Provide all operators of this equipment with the Operator's Manual and instructions for safe operation.
- Do not operate this product indoors or in inadequately ventilated areas.
- Review the area to be trimmed. Look for hazards that could contribute to unsafe conditions. **DO NOT** operate unit if any wires (power, telephone, cable, etc.) are closer than 15 M (50 ft.) to any part of the operator or unit.
- Spectators and fellow workers must be warned, and children and animals prevented from coming nearer than 15 M (50 ft.) while the Power Pruner™ is in use.
- Avoid all power lines. This unit is not insulated against electrical current.



Operation

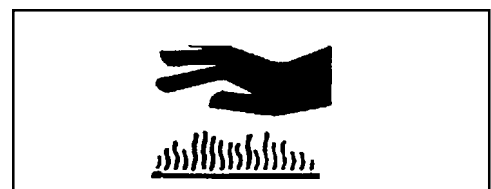
Use Proper Clothing & Equipment

- Before starting the unit, equip yourself and any other person working within the 15 M (50 ft.) Safety Zone with the required Protective Equipment and clothing.
- Always wear head protection with full face shield to help protect against falling branches and debris.



Avoid Hot Surfaces

- During operation, the complete unit, especially the power head, muffler area and cutting attachment may become very hot, too hot to touch. Avoid contact during and immediately after operation.

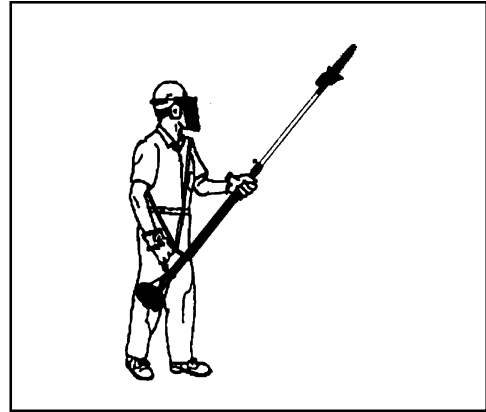


Keep A Firm Grip

- Grip Power Pruner™ with both hands with thumbs and fingers encircling the handle, and lower shaft tube.

Keep A Solid Stance

- Maintain footing and balance at all times. Do not stand on slippery, uneven or unstable surfaces. Do not work in odd positions or on ladders. Do not overreach.
- Operate the Power Pruner™ only from the ground or out of an approved bucket lift.
- Always evaluate the branches to be pruned for hazards such as loose dead branches which may fall and strike the operator or helpers. Remove hazards before pruning.
- Cut branches bounce when striking ground.
- Plan retreat path from falling objects.
- Check that shoulder harness is adjusted for safe, comfortable operation. See picture at right for proper adjustment.
- Turn the Power Pruner™ off when moving from tree to tree.
- Avoid any contact with saw chain.



KICKBACK

WARNING DANGER

Kickback can lead to dangerous loss of control of the Power Pruner™ and result in serious injury to the operator or any one standing close by. Hold the Power Pruner™ firmly with both hands with thumbs and fingers encircling the front and rear handles. Be aware of the down and outward path the pruner will take after the cut is made.

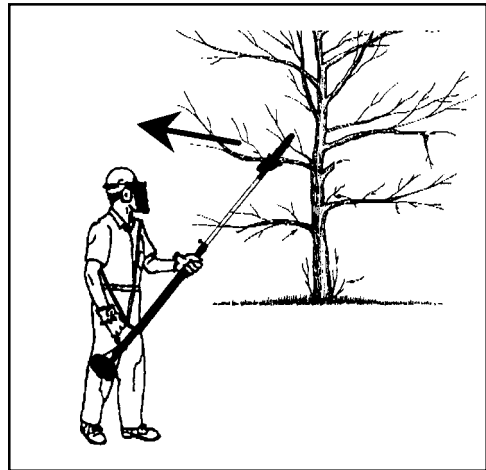
Kickback may occur when the moving saw chain at the nose or tip of the guide bar touches an object, or when the wood closes in and pinches the saw chain in the cut. In some cases this may cause a lightning-fast reverse action, kicking the guide bar and saw chain up and back or down and back towards the operator. Either of these reactions may cause the operator to lose control of the Power Pruner™ which could result in serious personal injury.

With a basic understanding of kickback, you can reduce or eliminate the element of surprise which contributes to accidents.

Avoid contact of the guide bar tip with any object while the saw chain is moving.

Cut only wood. Avoid striking concrete, metal, wire, or other obstructions which could cause kickback or damage to the saw chain.

If the saw chain does strike a foreign object, immediately stop the engine, inspect and repair the Power Pruner™ if necessary.



EXTENDED OPERATION/EXTREME CONDITIONS

Vibration and Cold

It is believed that a condition called Raynaud's Phenomenon, which affects the fingers of certain individuals may be brought about by exposure to vibration and cold. Exposure to vibration and cold may cause tingling and burning sensations followed by loss of color and numbness in the fingers. The following precautions are strongly recommended because the minimum exposure which might trigger the ailment is unknown.

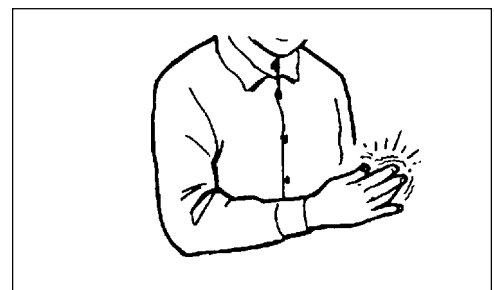
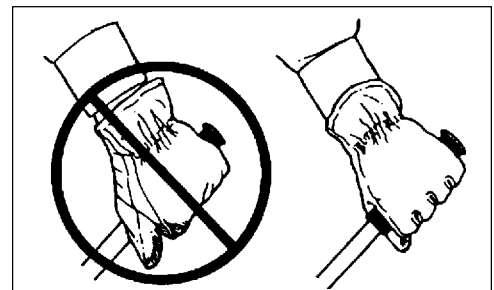
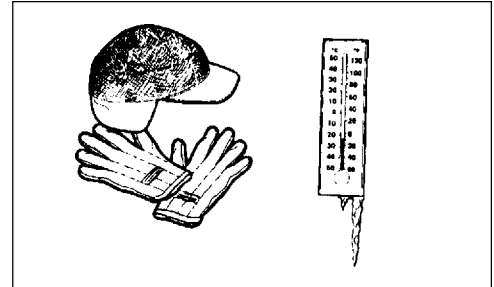
- Keep your body warm, especially the head, neck, feet, ankles, hands and wrists.
- Maintain good blood circulation by performing vigorous arm exercises during frequent work breaks and also by not smoking.
- Limit the hours of operation. Try to fill each day with jobs where operating the trimmer or other hand-held power equipment is not required.
- If you experience discomfort, redness and swelling of the fingers followed by whitening and loss of feeling, consult your physician before further exposing yourself to cold and vibration.

Repetitive Stress Injuries

It is believed that overusing the muscles and tendons of the fingers, hands, arms and shoulders may cause soreness, swelling, numbness, weakness and extreme pain in those areas. Certain repetitive hand activities may put you at a high risk for developing a Repetitive Stress Injury (RSI). An extreme RSI condition is Carpal Tunnel Syndrome (CTS), which could occur when your wrist swells and squeezes a vital nerve that runs through the area. Some believe that prolonged exposure to vibration may contribute to CTS. CTS can cause severe pain for months or even years.

To reduce the risk of RSI/CTS, do the following:

- Avoid using your wrist in a bent, extended or twisted position. Instead try to maintain a straight wrist position. Also, when grasping, use your whole hand, not just the thumb and index finger.
- Take periodic breaks to minimize repetition and rest your hands.
- Reduce the speed and force with which you do the repetitive movement.
- Do exercises to strengthen the hand and arm muscles.
- Immediately stop using all power equipment and consult a doctor if you feel tingling, numbness or pain in the fingers, hands, wrists or arms. The sooner RSI/CTS is diagnosed, the more likely permanent nerve and muscle damage can be prevented.



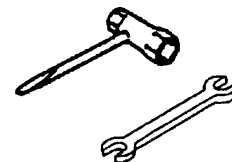
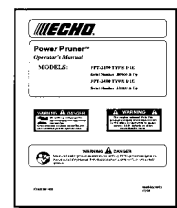
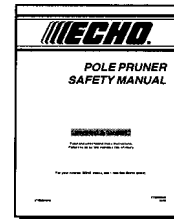
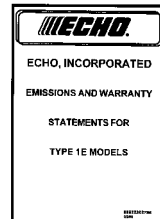
DESCRIPTION

Due to packaging restriction the ECHO product you have purchased requires some assembly.

After opening the carton, check for damage. Immediately notify your retailer or ECHO Dealer of damaged or missing parts. Use the contents list to check for missing parts.

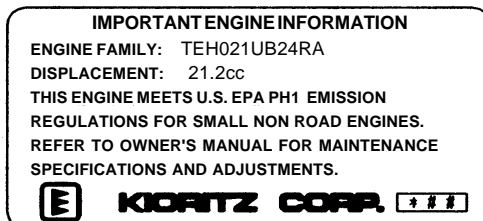
CONTENTS

- ___ Power Head
- ___ Shaft Tube Assembly
- ___ Cutting Attachment W/ Guide Bar and Saw Chain
- ___ Plastic Bag
- ___ Operator's Manual
- ___ Safety Manual
- ___ How to Prune Manual
- ___ Warranty Registration Card
- ___ Warranty Statement
- ___ Plastic Bag
- ___ T-Wrench (combination screwdriver/spark plug socket)
- ___ 3 mm hex wrench
- ___ 8 x 10 mm Spanner
- ___ Safety Glasses
- ___ 2-Stroke Oil Bottle (2.6 oz.)
- ___ Shoulder Harness
- ___ Guide Bar Cover



EMISSION CONTROL - Emissions Models

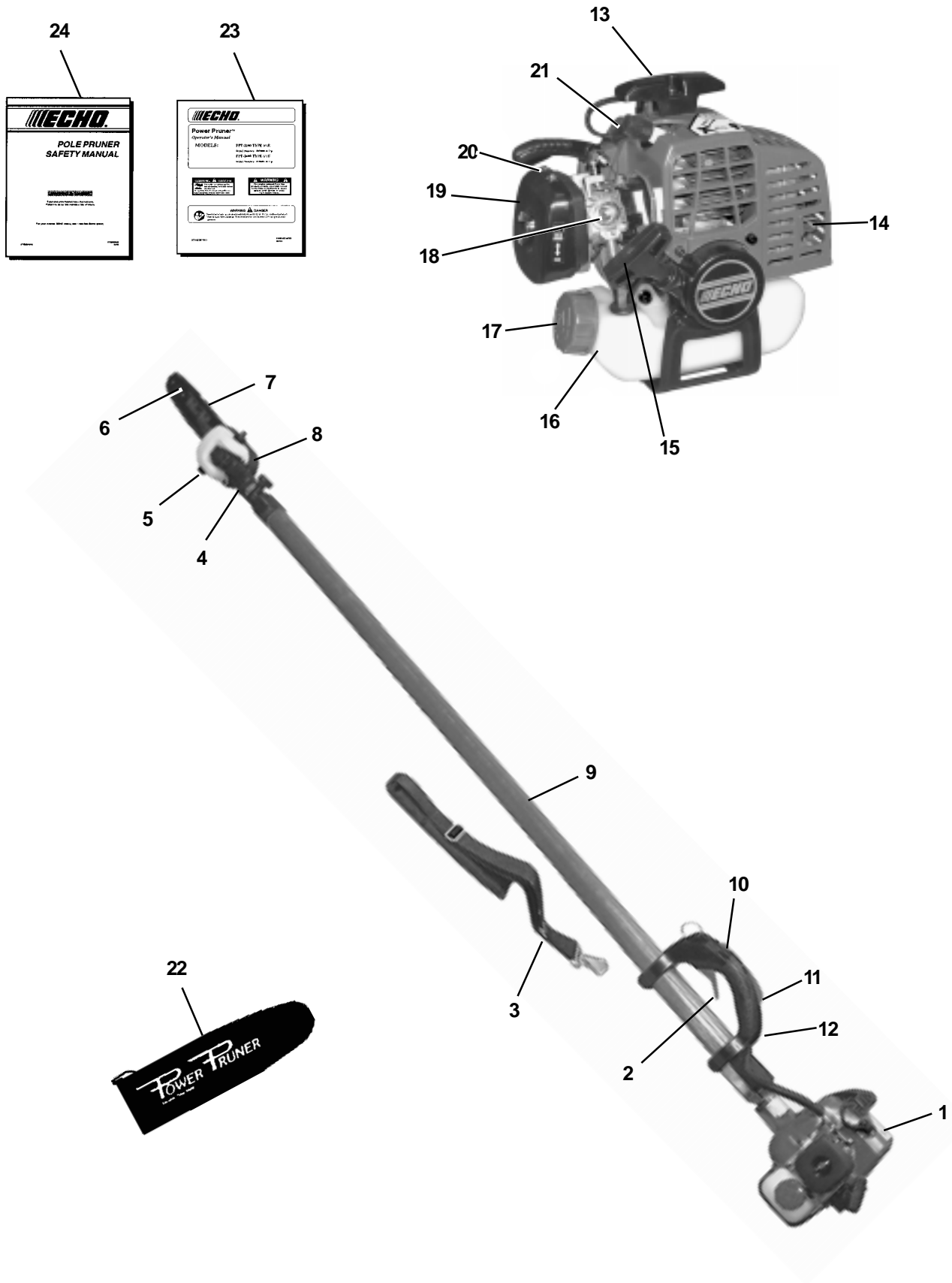
The emission control system for this engine is EM (Engine Modification).



Emission Control Label (located on Engine) (EXAMPLE ONLY, information on label varies by FAMILY).



POWER PRUNER™ OPERATOR'S MANUAL 11



1. **POWER HEAD** - Includes the Engine, Clutch, Fuel System, Ignition System and Starter.
2. **THROTTLE TRIGGER** - Spring loaded to return to idle when released. During acceleration press trigger gradually for best operating technique.
3. **SHOULDER HARNESS** - An adjustable strap that suspends the unit from the operator.
4. **CUTTING ATTACHMENT** - Sealed, gear ratio is 1.5:1 reduction.
5. **CUTTING SHOE** - Used to capture and stabilize branch while cutting. Place cutting shoe against branch, accelerate and lower saw chain into branch.
6. **GUIDEBAR** - 254 mm (10 in.) guide bar (PPT-2100), 305 mm (12 in.) guide bar (PPT-2400).
7. **SAW CHAIN** - 91 VS 9.53 mm (3/8 in.) low profile Oregon® saw chain. Runs approximately 609.6 m/min. (2000 ft/min) at full throttle.
8. **AUTOMATIC OILER ASSEMBLY** - Self oiling. Use high quality, low viscosity, non detergent bar and chain oil.
9. **LOWERSHAFT TUBE** - Durable fiberglass mesh housing.
10. **STOP SWITCH** - Mounted on top of handle assembly. Move switch forward to run, back to stop.
11. **THROTTLE TRIGGER LOCKOUT** - This lever must be depressed before throttle trigger can be operated.
12. **REAR HANDLE ASSEMBLY** - Sturdy handle for right hand placement. Includes stop switch and throttle trigger.
13. **ARM REST** - Provides arm rest during operation and protects arm from hot engine.
14. **MUFFLER, SPARK ARRESTER** - The muffler controls the exhaust noise while the spark arrestor prevents hot, glowing particles of carbon from leaving the muffler where they could possibly start a fire.
15. **RECOIL STARTER** - Pull recoil handle slowly until starter engages, then quickly and firmly. When engine starts return handle slowly. **DO NOT** let handle snap back or damage will occur.
16. **FUEL TANK** - Contains fuel and fuel filter.
17. **FUEL TANK CAP** - Covers and seals fuel tank opening.
18. **PRIMER BULB** - Pumping primer bulb before starting engine draws fresh fuel from the fuel tank priming the carburetor for starting. Pump the bulb 10 times until fuel is visible in clear fuel return line.
19. **AIR CLEANER ASSEMBLY** - Contains replaceable air filter element.
20. **CHOKE** - Located above air cleaner housing. Controls operation of choke. Move lever to start position (Close Choke) and back to run position (Open Choke).
21. **SPARK PLUG** - Provides spark to ignite fuel mixture.
22. **GUIDE BAR COVER** - Used to cover guide bar and saw chain during transport and storage. Remove guide bar cover before using unit.
23. **OPERATOR'S MANUAL** - Read and understand this manual before operation. Keep manual in a safe location for future reference, i.e., operation, maintenance, storage and specifications.
24. **SAFETY MANUAL** - Read before operation and keep in a safe place for future reference to learn proper, safe operating techniques.

POWER PRUNER™ OPERATOR'S MANUAL 13

SPECIFICATIONS

MODEL	PPT-2100	PPT-2400
Length (Standard)	2.26 m (7 ft., 5 in.)	2.74 m (9 ft.)
Length (Extended)	3.41 m (11 ft., 2.25 in.)	3.91 m (12 ft., 9.75 in.)
Length w/extension	5.00 m (16 ft., 5 in.)	5.49 m (18 ft.)
Width	0.22 m (8.75 in.)	
Height	0.23 m (9.0 in.)	
Weight (dry)	7.41 kg (16.3 lb.)	7.7 kg (16.9 lb.)
Engine Type	Air cooled, two-stroke, single cylinder gasoline engine	
Bore	32.2 mm (1.268 in.)	34.0 mm (1.339 in.)
Stroke	26.0 mm (1.04 in.)	26.0 mm (1.04 in.)
Displacement	21.2 cc (1.29 cu. in.)	23.6 cc (1.44 cu. in.)
Exhaust System	Spark Arrestor Muffler	
Carburetor	Diaphragm, w/primer bulb	
Ignition System	CDI (capacitor discharge ignition)	
Spark Plug	NGK BPM-7A Gap 0.65 mm (0.026 in.)	NGK BPM-7Y Gap 0.65 mm (0.026 in.)
Fuel	Mixed (Gasoline and Two-stroke Oil)	
Fuel/Oil Ratio	50:1 ECHO High Performance, two-stroke air cooled engine oil	
Gasoline	89 Octane unleaded. DO NOT use fuel containing methyl alcohol, more than 10% ethyl alcohol or 15% MTBE.	
Fuel Tank Capacity	0.4 lit. (14.0 US fl. oz.)	
Starter System	Automatic Recoil Starter	
Clutch	Centrifugal Type	
Sprocket Type	6 tooth spur, 9.53 mm (3/8") pitch	
Power Transmission Shaft Assembly	Aluminum Extrusion	
Gear Case Ratio	1.5:1	
Oiling System	Automatic	
Saw Chain Oil Capacity	225 ml (7.6 oz.)	
Handle	Right hand grip w/throttle trigger and lockout	
Shoulder Harness	Standard	
Idle Speed (RPM)	2600 - 3100	
Wide Open Throttle Speed (RPM)	8000 - 9000	11,000 - 12,000
Guide Bar and Saw Chain (91 VS)	254 mm (10 in.) ; 9.53 mm (3/8") pitch	305 mm (12 in.) ; 9.53 mm (3/8") pitch

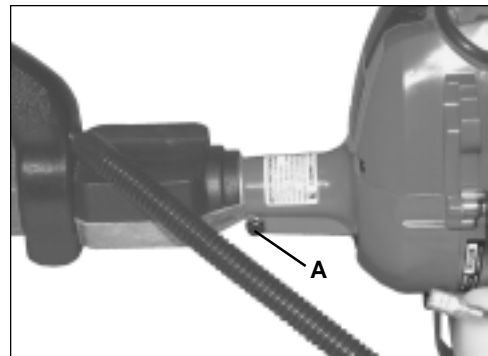
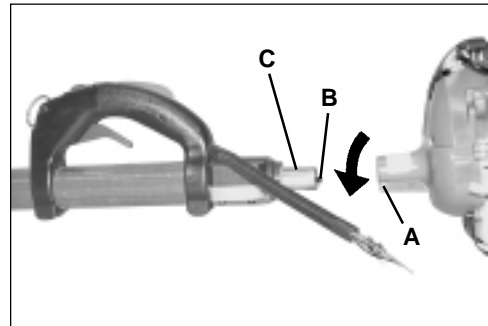
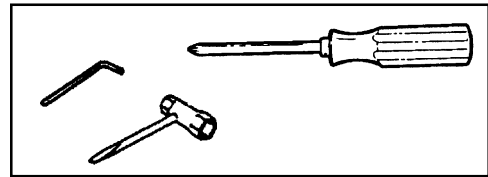
ASSEMBLY

SHAFT TUBE / POWER HEAD

Tools Required: 10x19mm (13/32x3/4in) T-wrench, 8x10mm Wrench, 3mm Hex Wrench

Parts Required: Power Head, Shaft Tube Assembly; Cutting Attachment

1. Loosen bolt (A).
2. Match square socket in engine shaft with square power transmission shaft (B) and slide together until engine rests against the machine surface of lower shaft tube housing coupler (C).
3. Rotate lower shaft tube housing to align engine and rear handle assembly in an upright position.
4. Tighten bolt (A) securely so engine will not rotate on lower shaft tube.

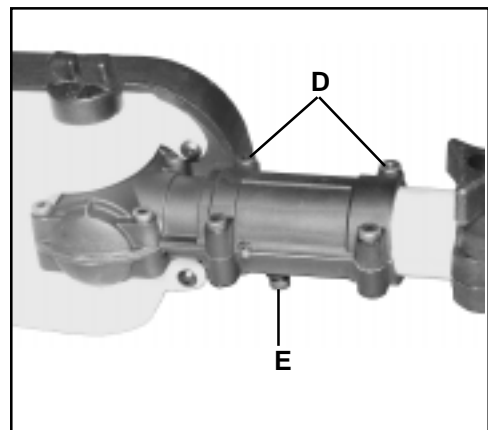


CUTTING ATTACHMENT TO SHAFT TUBE INSTALLATION

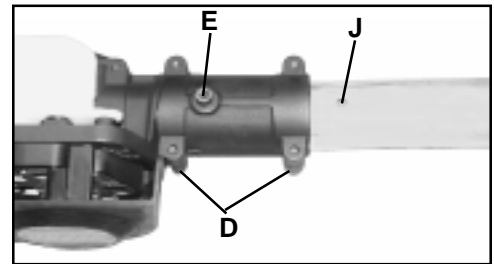
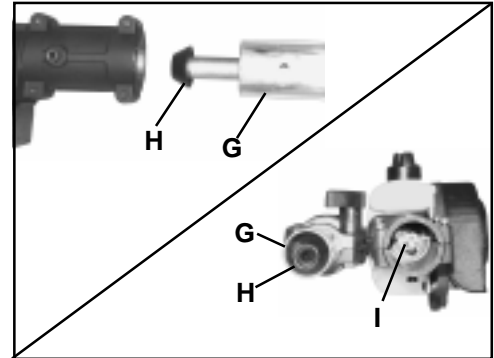
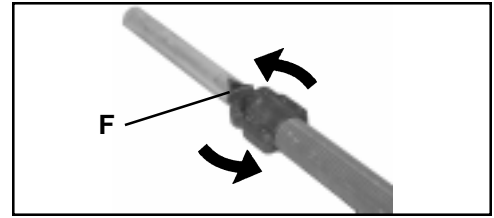
WARNING  **DANGER**

Saw Chain is sharp! Always wear gloves when handling assembly, otherwise serious personal injury may result.

1. Loosen the four (4) screws (D) and locator screw (E) on cutting attachment.



2. Loosen center clamp knob (F) turning counter clockwise.
3. Pull upper shaft tube (G) out of fiberglass lower shaft tube 127-152 mm (5-6 in.), then slide (G) back into fiberglass lower shaft tube exposing inner power transmission shaft (H). Align and join star shaped drive end of inner power transmission shaft (H) with cutting attachment shaft (I).
4. Align ridges on upper shaft tube (G) with seams in cutting attachment.
5. Slide together aligning locator screw (E) in cutting attachment with locating hole (J) in upper shaft tube.
6. Tighten locator screw (E). Tighten four (4) cutting attachment screws (D).
7. Extend upper shaft tube to desired length. Tighten center clamp knob (F) turning clockwise.



THROTTLE LINKAGE INSTALLATION

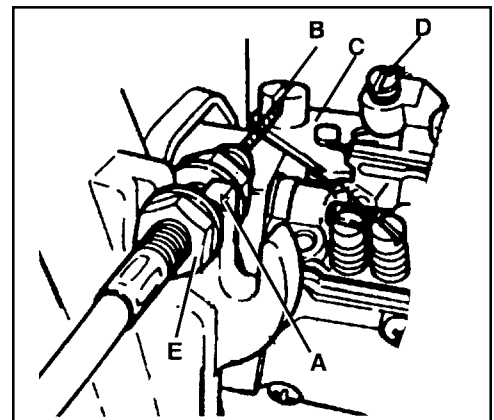
NOTE

The engine is delivered separated from shaft tube. The throttle linkage and stop switch wires are attached to the rear handle.

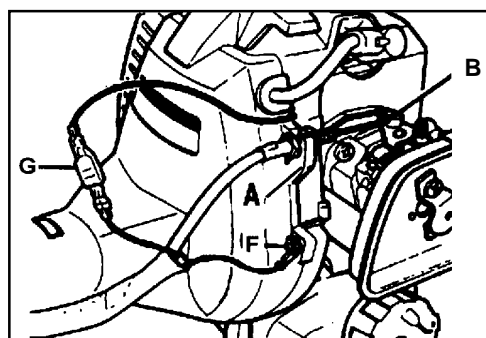
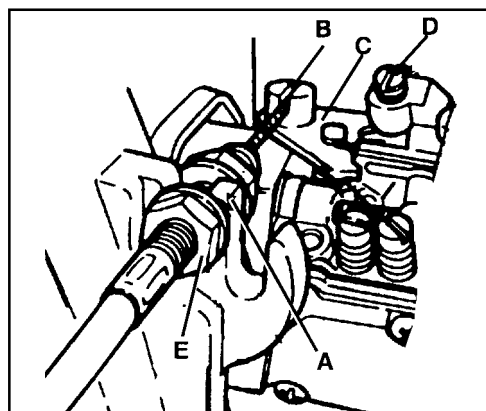
1. Loosen outer 10mm nut (E) on throttle linkage.
2. Insert throttle linkage in fan cover slot (A).
3. Finger tighten nut (E) and attach the inner linkage to the swivel (B) on the carburetor throttle plate.

NOTE

It is important that the head of the throttle linkage fits inside the slot well of the swivel (B).



4. Tighten the 10mm linkage nuts (E).
5. Check throttle for freedom of movement and make sure it returns to idle position. If the throttle linkage does not allow the carburetor throttle plate (C) to return to idle against idle screw (D), loosen linkage nuts; turn throttle linkage nut (E) counter clockwise until throttle plate (C) rests against idle screw (D). Hold linkage nut (E) from turning and tighten other linkage nut.
6. Connect ground wire terminal under screw (F) on fan housing.
7. Connect stop switch wire to stop wire (G) on engine.



SAW CHAIN TENSION ADJUSTMENT

Tools Required: 10x19mm (13/32x3/4in.) T-wrench provided

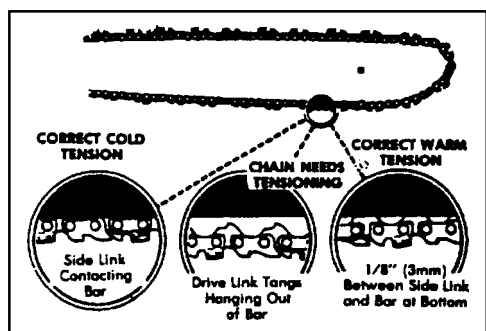
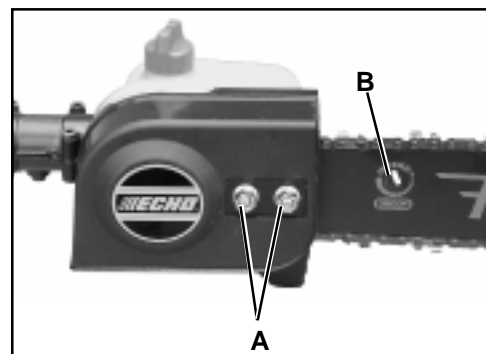
WARNING DANGER

Always wear gloves when handling saw chain, otherwise serious personal injury may result.

To Adjust Saw Chain Tension.

1. Loosen two (2) 10 mm (13/32 in.) guide bar nuts (A) located on cutting attachment using the T-wrench provided.
2. Turn the adjuster slot (B) clockwise until saw chain touches the bottom of guide bar. Turning adjuster slot (B) counter clockwise will loosen saw chain on guide bar.
3. Tighten guide bar nuts firmly. Move saw chain backwards on guide bar by hand. Saw chain should move freely on guide bar if it is in proper mesh with sprocket.

Keep the saw chain lubricated and properly adjusted and the guide bar nuts tightened firmly at all times. If saw chain is difficult to rotate or binds on guide bar, it is too tight.



PRE-OPERATION

FUEL

Fuel Requirements

Gasoline - Use 89 Octane [$\frac{R+M}{2}$] (mid grade or higher) gasoline or gasohol known to be good quality. Gasohol may contain up to 10% Ethyl (grain) alcohol or 15% MTBE (methyl tertiary-butyl ether). Gasohol containing methanol (wood alcohol) is **NOT** approved.

Two-Stroke Oil - A two-stroke engine oil meeting ISO-L-EGD Standard (ISO/CD 13738), must be used. Echo brand Premium 50:1 oil meets this standard. Engine problems due to inadequate lubrication caused by failure to use an ISO-L-EGD approved oil, such as Echo Premium 50:1 Two-stroke Oil, will void the two-stroke engine warranty. (Emission related parts only are covered for two years, regardless of two-stroke oil used, per the statement listed in the EPA Phase I/California Emission Defect Warranty Explanation.)

Mixing - Follow directions on the oil container.

Handling Fuel

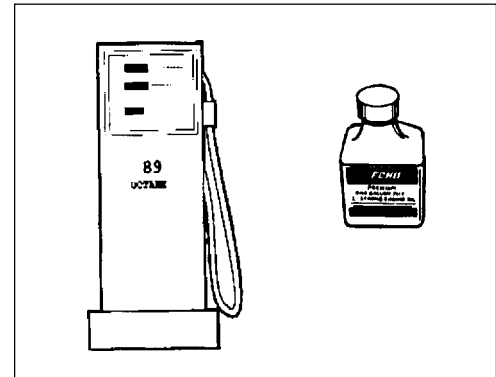
WARNING DANGER

Fuel is **VERY** flammable. Use extreme care when mixing, storing or handling, or serious personal injury may result.

- Use an approved fuel container.
- DO NOT smoke near fuel.
- DO NOT allow flames or sparks near fuel.
- Fuel tanks/cans may be under pressure. Always loosen fuel caps slowly allowing pressure to equalize.
- NEVER refuel a unit when the engine is HOT!
- NEVER refuel a unit with the engine running.
- DO NOT fill fuel tanks indoors. ALWAYS fill fuel tanks out doors over bare ground.
- Securely tighten fuel cap after refueling.
- Inspect for fuel leakage. If fuel leakage is found, do not start or operate unit until leakage is repaired.

IMPORTANT

Spilled fuel is a leading cause of hydrocarbon emissions. Some states may require the use of automatic fuel shut-off containers to reduce fuel spillage. Contact your ECHO dealer for ordering information.



After Refueling;

- Wipe any spilled fuel from the unit.
- Move at least 3 M (10 ft.) from refueling location before starting the engine.

After use;

- DO NOT store a unit with fuel in its tank. Leaks can occur. Return unused fuel to an approved fuel storage container.

Storage -

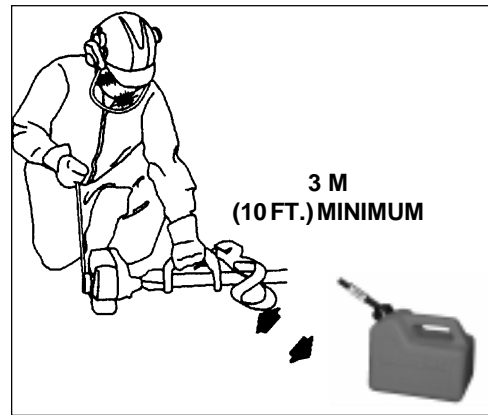
Fuel storage laws vary by locality. Contact your local government for the laws affecting your area. As a precaution, store fuel in an approved, air tight container. Store in a well ventilated, unoccupied building, away from sparks and flames. Do not store fuel longer than 30 days.

IMPORTANT

Stored fuel ages. Do not mix more fuel than you expect to use in thirty (30) days, ninety (90) days when a fuel stabilizer is added.

IMPORTANT

Stored two-stroke fuel may separate. ALWAYS shake fuel container thoroughly before each use.



S	M	T	W	T	F	S
1	2	3	4	5	6	7
8	9	10	11	12	13	14
15	16	17	18	19	20	21
22	23	24	25	26	27	28
29	30	31				

LUBRICATING THE GUIDE BAR AND SAW CHAIN

Automatic Oiling System

1. Wipe debris from around oil fill cap.
2. Remove oil fill cap and fill reservoir with a quality, low viscosity guide bar and saw chain oil.

NOTE

The discharge volume of the automatic oiler is preset to deliver 3 to 4 cc/min. at normal operating RPM. During heavy or dry cutting conditions the oil discharge volume may be adjusted to assure adequate lubrication. Refill the oil reservoir with each tank of fuel.

IMPORTANT

To prevent plastic deterioration, do not use synthetic or silicone based oil.



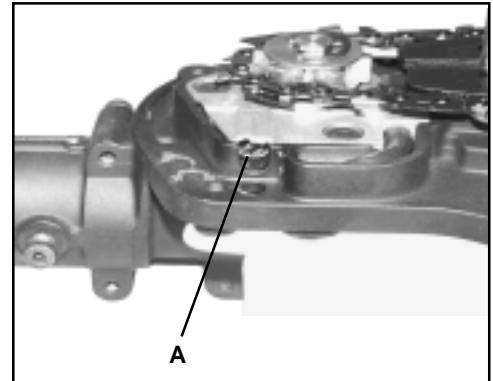
ADJUSTING AUTOMATIC OILER

Tools required: 10x19mm (13/32x3/4) T-Wrench provided

1. Remove two (2) 10 mm guide bar retaining nuts and sprocket cover.
2. From bottom of gear case, turn adjustment screw (A) clockwise to decrease oil volume - counter clockwise to increase oil volume.

NOTE

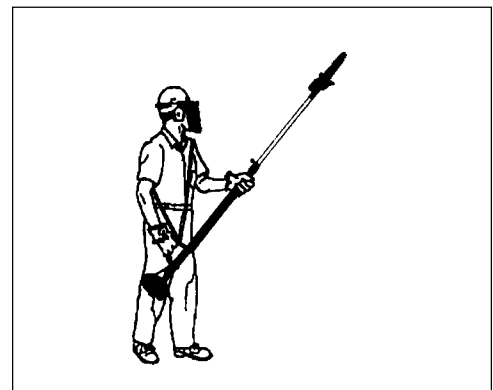
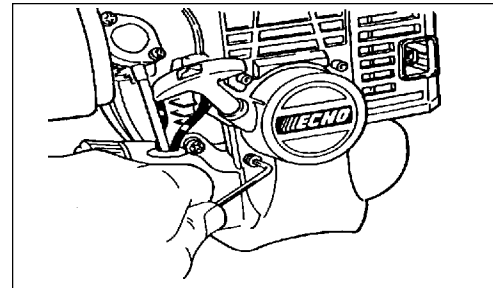
Very little visible oil on the saw chain will provide sufficient lubrication.



EQUIPMENT CHECK

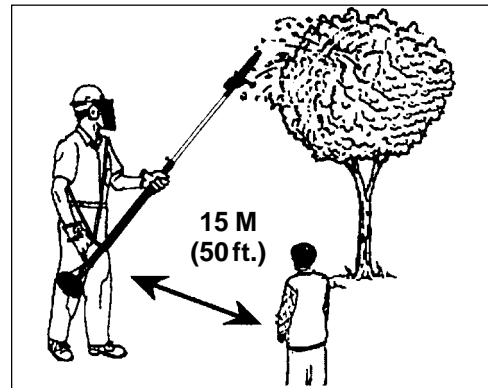
Before operation a complete check of the unit must be performed;

- Check unit for loose/missing nuts, bolts and screws. Tighten and/or replace as needed.
- Inspect fuel lines, tank and area around carburetor for fuel leaks. DO NOT operate unit if leaks are found.
- Check that the cutting attachment is firmly attached and the saw chain is correctly tensioned on the guide bar. Dull, loose or damaged saw chain should not be used. Refer to page 30 for correct Filing Saw Chain procedures.
- Check that shoulder harness is adjusted for safe, comfortable operation. See figure at right for proper adjustment.



DETERMINE OPERATION AREA

- Before starting the unit, equip yourself and fellow workers in the 15 M (50 ft.) safety zone with the required protective equipment and clothing.
- Review the area to be trimmed. Look for hazards that could contribute to unsafe conditions such as overhead electrical lines or dead branches.
- Spectators, children and animals must be prevented from coming nearer than 15 M (50 ft.) while the pruner is in use.

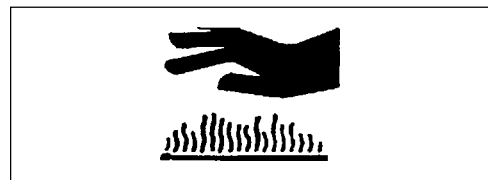
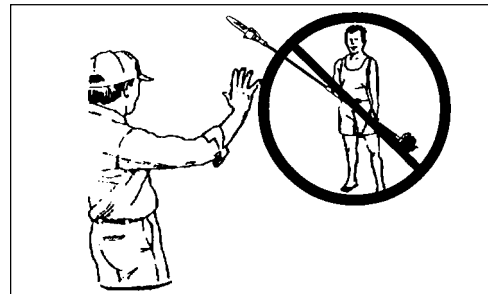


OPERATION

WARNING DANGER

Do not operate this product indoors or in inadequately ventilated areas. Engine exhaust contains poisonous emissions which can cause serious injury or death.

- Provide all operators of this equipment with the Operator's Manual, and instructions for safe operation.
- Before starting the unit, equip yourself and any other person working within the 15 M (50 ft.) Safety Zone with the required Protective Equipment and clothing.
- Always evaluate the area being cut for overhead hazards, such as dead branches which may fall and strike the operator or helpers.
- Be aware of branches bouncing when striking the ground.
- Larger branches should be removed in sections.
- During operation, the complete unit, especially the shaft tube and bearing housing may become very hot, too hot to touch. Avoid contact during and immediately after operation.



STARTING COLD ENGINE

WARNING DANGER

The cutting attachment should not move at idle. If cutting attachment moves, readjust carburetor according to "Carburetor Adjustment" instructions in this manual or see your ECHO Dealer, otherwise serious personal injury may result.

1. Stop Switch - Start/Run.
Move stop switch button (A) forward away from the STOP position.
2. Choke - Cold Start.
Move choke (B) to "Cold Start" Position.
3. Primer Bulb -Purge.
Pump primer bulb (C) 10 times. Fuel will be visible and flow freely in the clear fuel tank return line.

WARNING DANGER

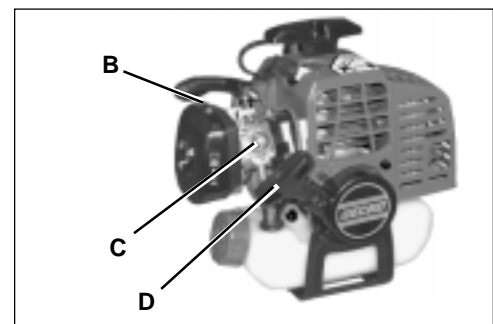
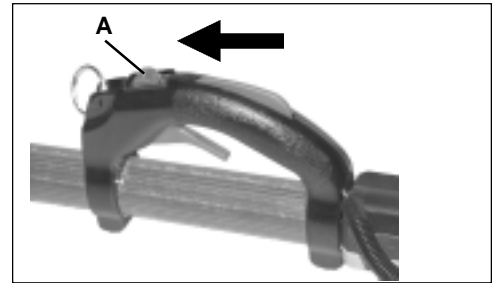
Inspect starting area for hazards such as rocks, glass, debris etc. which could be contacted by the cutting attachment when starting. Keep helpers and bystanders at least 15 M (50 ft.) from starting area, otherwise serious personal injury may result.

4. Lay the pruner on a flat clear area. Firmly grasp right hand grip and throttle trigger lockout with left hand and fully depress throttle trigger to wide open position. Rapidly pull recoil starter handle/rope (D) until engine fires (or maximum five [5] pulls).
5. After engine fires or five (5) pulls, move choke lever to "Run" position. Hold throttle trigger and throttle lockout fully depressed and pull recoil starter handle/rope (D) until engine starts and runs. Release throttle trigger and allow unit to warm up at idle for several minutes.

NOTE

If engine does not start with choke in "Run" position after 5 pulls, repeat instructions.

6. After engine warm up, gradually depress throttle trigger to increase engine RPM to operating speed.



STARTING WARM ENGINE

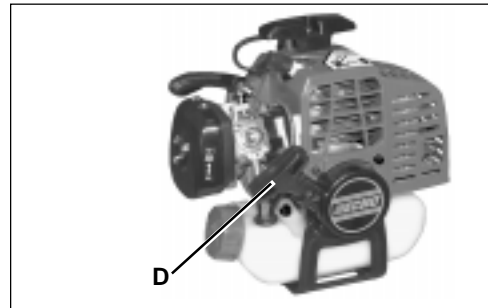
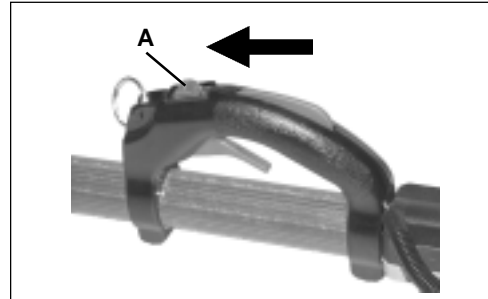
WARNING DANGER

The cutting attachment should not move at idle. If cutting attachment moves, readjust carburetor according to "Carburetor Adjustment" instructions in this manual or see your ECHO Dealer, otherwise serious personal injury may result.

1. Stop Switch - Start/Run. Move Stop Switch button (A) forward away from the STOP position.
2. Start - Pull Rope. Lay the pruner on a flat clear area and pull the recoil starter handle (D) until the engine fires.

NOTE

If engine does not start after 5 pulls, use Cold Start Procedure.

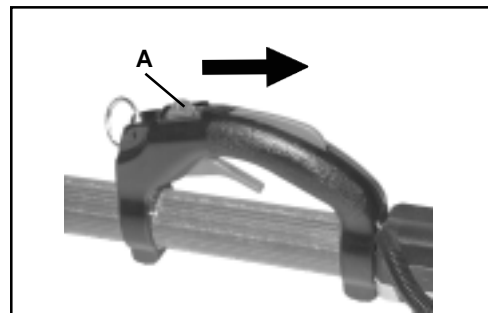


STOPPING ENGINE

1. Release Throttle. Allow engine to idle for a minute.
2. Stop Switch - Stop. Move stop switch button (A) backward to STOP position.

WARNING DANGER

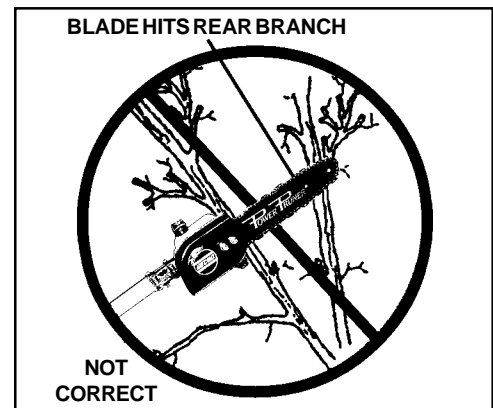
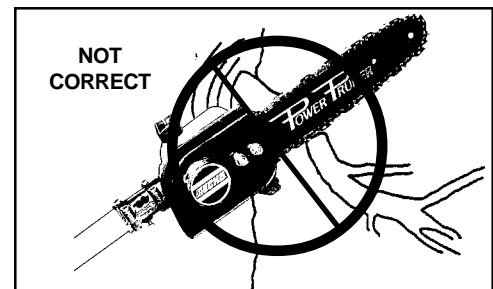
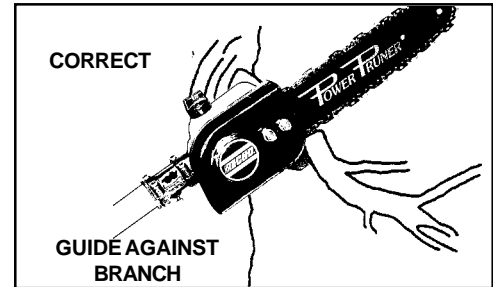
If engine does not stop when stop switch is moved to STOP position, close choke - COLD START position - to stall engine. Have your ECHO dealer repair stop switch before using pruner again.



PRUNING TECHNIQUES

The Power Pruner™ is designed for light to medium trimming of limbs and branches up to 203 mm (8 in.) in diameter. Follow these tips for successful operation.

- Plan cut carefully. Check direction branch will fall.
- Plan retreat path from falling branch. Cut branches bounce when striking ground.
- Long branches should be removed in several pieces.
- Do not stand directly beneath branch being cut.
- When ready to cut:
Hold "cutting shoe" against branch. This will prevent whipping of the branch. DO NOT use back and forth sawing action.
- Look out for branch immediately behind the branch being cut. If saw chain hits rear branch damage to saw chain may occur.
- Accelerate to full throttle.
- Apply cutting pressure.
- Ease cutting pressure when nearing end of cut to maintain control.
- When pruning a limb 102 mm (4 in.) diameter or larger cut as follows:
 1. Under cut 1/4 limb diameter near tree trunk.
 2. Finish top cut slightly farther out on limb.
 3. Flush cut stub at trunk.
- DO NOT use for felling or bucking.



MAINTENANCE

Your ECHO Power Pruner™ is designed to provide many hours of trouble free service. Regular scheduled maintenance will help your pruner achieve that goal. If you are unsure or are not equipped with the necessary tools, you may want to take your unit to an ECHO Service Dealer for maintenance. To help you decide whether you want to DO-IT-YOURSELF or have the ECHO Dealer do it, each maintenance task has been graded. If the task is not listed see your ECHO Dealer for repairs.

SKILL LEVEL

- Level1** = Easy to do. Most required tools come with unit.
- Level2** = Moderate difficulty. Some specialized tools may be required.
- Level3** = Experience required. Specialized tools are required. ECHO recommends that the unit be returned to your ECHO dealer for servicing.

ECHO offers **REPOWER™** Maintenance Kits and Parts to make your maintenance job easier. Just below each task heading are listed the various part numbers required for that task. See your ECHO dealer for these parts.

MAINTENANCE INTERVALS

COMPONENT/ SYSTEM	MAINTENANCE PROCEDURE	REQ'D SKILL LEVEL	DAILY OR BEFORE USE	EVERY REFUEL	3 MONTHS OR 90 HOURS	6 MONTHS OR 270 HOURS	YEARLY 600 HOURS
Recommended Echo Dealer Maintenance Procedures							
Cylinder Exhaust Port	Inspect/Clean/Decarbon	3			I / C		
Do-It-Yourself Maintenance Procedures							
Air Filter	Inspect/Clean/Replace	1	I / C		I*		
Choke System	Inspect/Clean	2	I / C				
Fuel Filter	Inspect/Replace	1			I		I / R *
Fuel System, leaks	Inspect/Replace	1	I / R *	I	I		
Cooling System	Inspect/Clean	2	I / C				
Muffler Spark Arrestor	Inspect/Replace	2			I / R *		
Power Transmission Shaft	Inspect/Clean/Oil	2	I (1)				I
Guide Bar	Inspect/Clean/Lubricate	2	I / C	I			
Saw Chain	Inspect/Sharpen/Replace/ Lubricate	2	I / R*	I			
Recoil Starter Rope	Inspect/Clean	1	I / R*				
Spark Plug	Inspect/Clean	2			I / C	R *	
Screws/Nuts/Bolts	Inspect/Tighten/Replace	1	I / R *				

MAINTENANCE PROCEDURE LETTER CODES: I = INSPECT, R = REPLACE, C = CLEAN

IMPORTANT NOTE - Time intervals shown are maximum. Actual use and your experience will determine the frequency of required maintenance.

MAINTENANCE PROCEDURE NOTES:

* All recommendations to replace are based on the finding of damage or wear during inspection.

(1) Apply ECHO® LUBE™ every 25 hours of use.

AIR FILTER

Level 1.

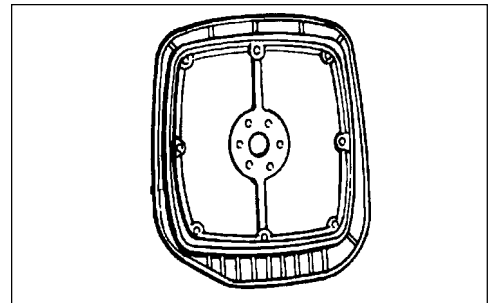
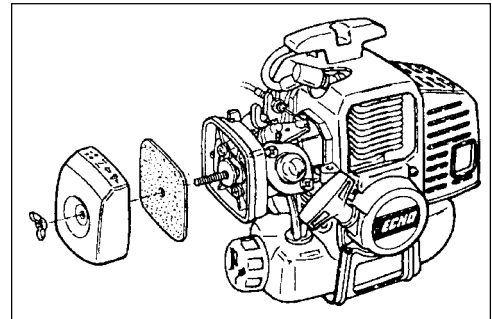
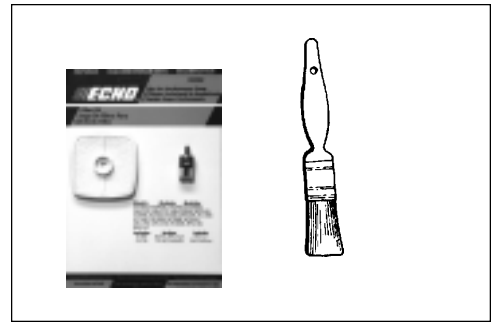
Tools required: 25 or 50 mm (1 or 2 in.) medium bristle paint brush

Parts required: 90008REPOWER™ FILTER KIT

1. Close choke (Cold Start Position). This prevents dirt from entering the carburetor throat when the air filter is removed. Brush accumulated dirt from the air cleaner area.
2. Remove the air cleaner cover. Clean and inspect the element for damage. If element is fuel soaked and very dirty, replace.
3. If element can be cleaned and reused, be certain it:
 - properly fits the cavity in the air cleaner cover.
 - is installed with the original side out.

NOTE

Carburetor adjustment may be needed after air filter cleaning/replacement. See Carburetor Adjustment Section.



FUEL FILTER

Level 1.

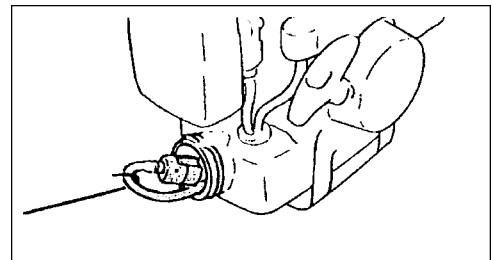
Tools required: 203-254 mm (8 - 10 in.) length of wire with one end bent into a hook. Clean rag, funnel, and an approved fuel container

Parts Required: 90008REPOWER™ FILTER KIT

WARNING DANGER

Fuel is **VERY** flammable. Use extreme care when mixing, storing or handling or serious personal injury may result.

1. Use a clean rag to remove loose dirt from around fuel cap and empty fuel tank.
2. Use the “fuel line hook” to pull the fuel line and filter from the tank.
3. Remove the filter from the line and install the new filter.



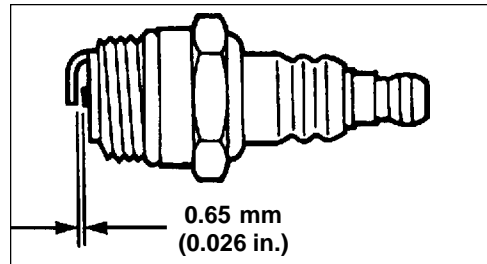
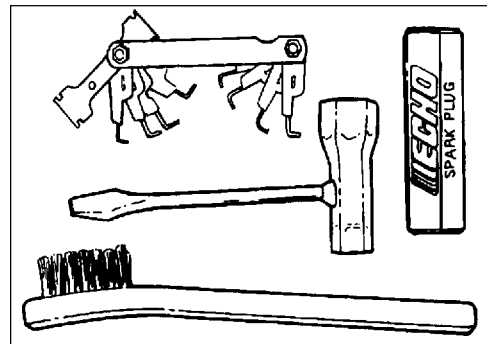
SPARK PLUG

Level 2.

Tools required: 10x19mm (13/32x3/4in) T-wrench, Feeler gauge, (preferably a wire gauge), Soft metal brush

Parts Required: Spark Plug, NGK BPM-7A (15901010630-PPT-2100)
NGK BPM-7Y (99944500071-PPT-2400)

1. Remove spark plug and check for fouling, worn and rounded center electrode.
2. Clean the plug or replace with a new one. DO NOT sand blast to clean. Remaining sand will damage engine.
3. Adjust spark plug gap by bending outer electrode.
4. Tighten spark plug to 145-155 kg/cm (125-135 in. lb.).



COOLING SYSTEM CLEANING

Level 2.

Tools required: Screwdriver, 3 mm Hex wrench, Pointed Wood Stick, 25 or 50 mm (1 in. or 2 in.) medium bristle paint brush

Parts Required: None.

IMPORTANT

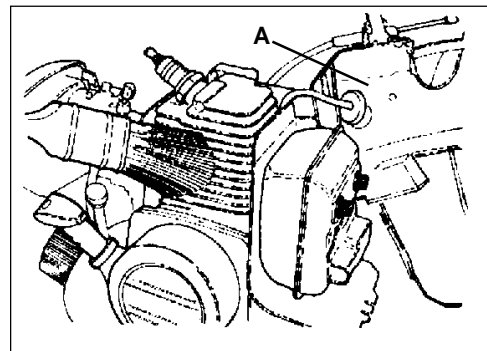
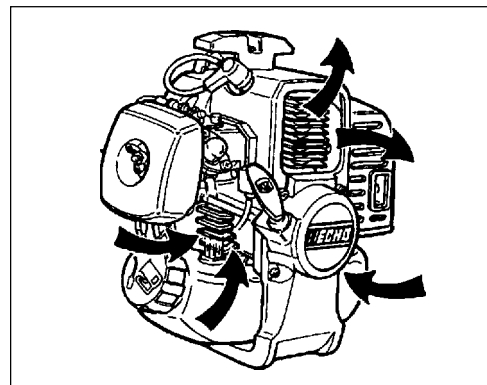
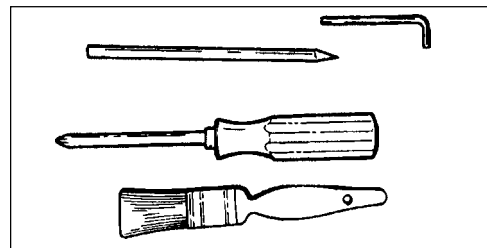
To maintain proper engine operating temperatures, cooling air must pass freely through the cylinder fin area. This flow of air carries combustion heat away from the engine.

Overheating and engine seizure can occur when:

- Air intakes are blocked, preventing cooling air from reaching the cylinder.
- Dust and grass build up on the outside of the cylinder. This build up insulates the engine and prevents the heat from leaving.

Removal of cooling passage blockages or cleaning of cooling fins is considered "Normal Maintenance". Any failure attributed to lack of maintenance is not warranted.

1. Remove spark plug lead from spark plug and throttle linkage end from the carburetor swivel.
2. Remove the four screws that retain the engine cover (A). Two at the top of the recoil starter, two on either side of the front. Lift the cover from the engine and lay to the front of the Power Pruner™.



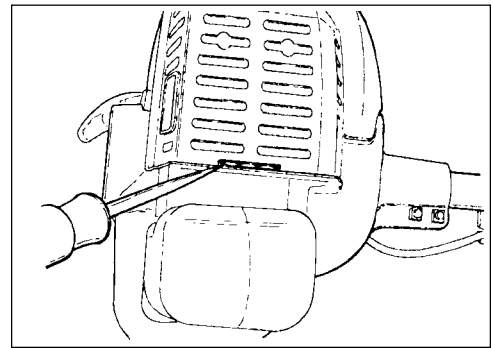
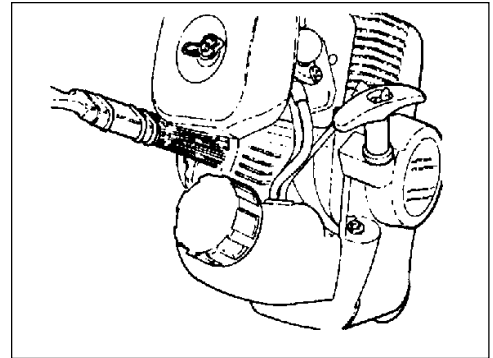
NOTE

The throttle linkage remains assembled to the engine cover and the spark plug lead and grommet remain installed.

3. Use the wooden stick or brush to remove dirt form cylinder fins.
4. Remove grass and leaves from the grid between the recoil starter and fuel tank.
5. Assemble components in reverse order.

NOTE

When installing the engine cover, be certain the tab of the metal deflector shield is in the slot of the engine cover.



EXHAUST SYSTEM

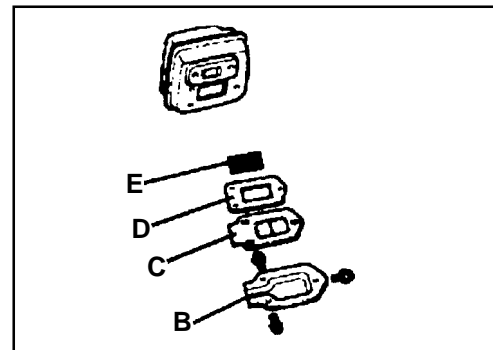
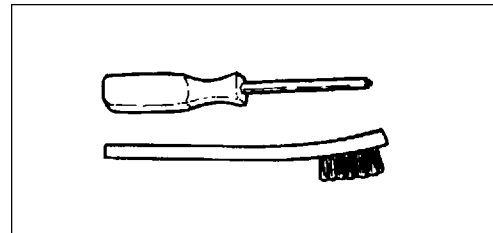
Spark Arrestor Screen

Level 2.

Tools required: Cross Head Screwdriver, Soft metal brush

Parts Required: Screen P/N 14586240630, Gasket Lid P/N 14586642031

1. Remove engine cover (A). See “Cleaning Cooling System” pages 26 & 27 for step by step instructions.
2. Place piston at Top Dead Center (TDC) to prevent carbon/dirt from entering cylinder.
3. Remove spark arrestor screen cover (B), screen holder (C), gasket (D) and screen (E) from muffler body.
4. Clean carbon deposits from screen and muffler components.
5. Replace screen if it is cracked, plugged or has holes burned through.
6. Assemble components in reverse order.

**NOTE**

When installing the engine cover, be certain the tab of the metal deflector shield is in the slot of the engine cover.

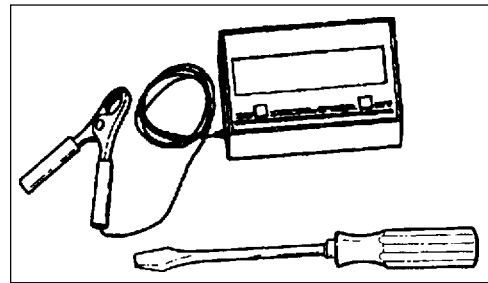
CARBURETOR ADJUSTMENT

Emission Models

Level 2.

Tools required: Screwdriver with 2mm blade width,
Tachometer (ECHOP/N 99051130017)

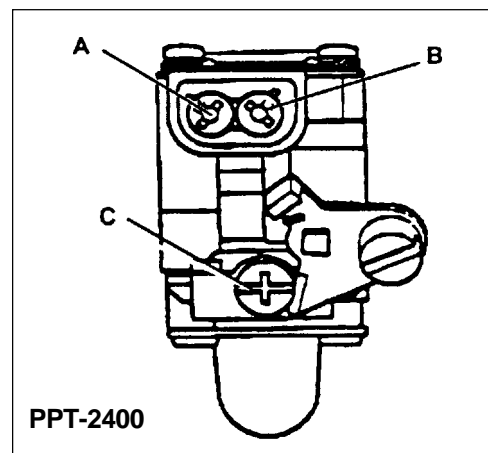
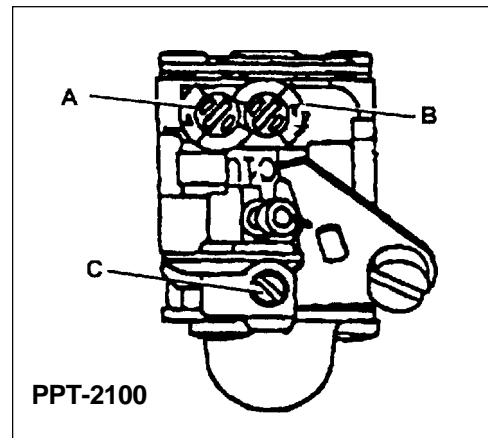
Parts required: None.



NOTE

Every unit is run at the factory and the carburetor is set in compliance with EPA Phase 1 and California Emission Regulations. In addition, the carburetor is equipped with HI (A) and LO (B) needle adjustment limiters that prevent settings outside acceptable limits.

1. Before adjusting the carburetor, clean or replace the air filter and spark arrester screen.
2. Start engine and run for several minutes to reach operating temperature.
3. Stop engine. Turn HI speed needle (A) CCW (counter clockwise) to stop. Turn LO speed needle (B) midway between full CCW and CW (clockwise) stops.
4. Idle Speed Adjustment.
-Start engine and turn idle speed adjustment screw (C) CW until the saw chain begins to turn, then turn the screw CCW until saw chain stops turning. Turn screw CCW an additional 1/4 turn.
5. Accelerate to full throttle for 2-3 seconds to clear excess fuel from engine then return to idle. Accelerate to full throttle to check for smooth transition from idle to full throttle. If engine hesitates, turn LO needle (B) CCW an additional 1/8 turn and repeat acceleration. Continue adjusting until smooth acceleration results.
6. Check HI speed RPM at W.O.T. (Wide Open Throttle). HI speed RPM should be set to specifications found on page 13 "Specifications" of this manual.
7. Check idle speed and reset if necessary. If a tachometer is available, idle speed should be set to the specification found on page 13 "Specifications" of this manual.



WARNING DANGER

When carburetor adjustment is completed, cutting attachment should not move at idle, otherwise serious personal injury may result.

CARBURETOR ADJUSTMENT

Non Emissions Models

Level 2.

Tools required: Screwdriver with 2mm blade width,
Tachometer (ECHOP/N 99051130017)

NOTE

If carburetor has limiter caps follow "Carburetor Adjustment" procedures for Emission models on previous page.

Idle Speed Adjustment

Turn "idle" speed adjustment screw (C) CW (clockwise) until saw chain begins to turn, then turn screw out CCW (counter clockwise) until saw chain stops turning. Turn screw out, CCW an additional 1/4 turn.

WARNING DANGER

Cutting attachment must not turn when unit is idling, otherwise serious personal injury may result.

Basic Setting

1. Stop engine and turn both LO (B) and HI (A) needles in, CW until they stop and are lightly seated.

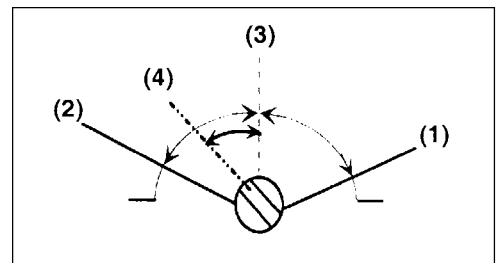
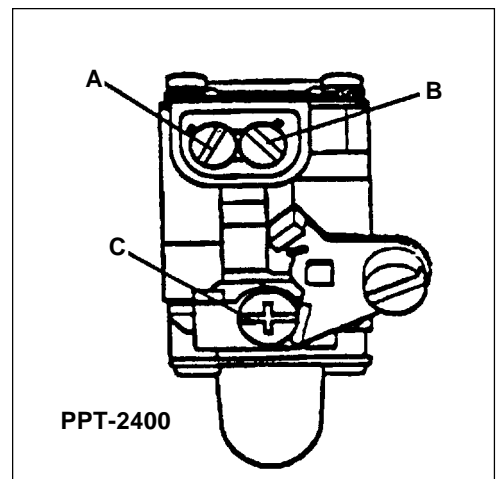
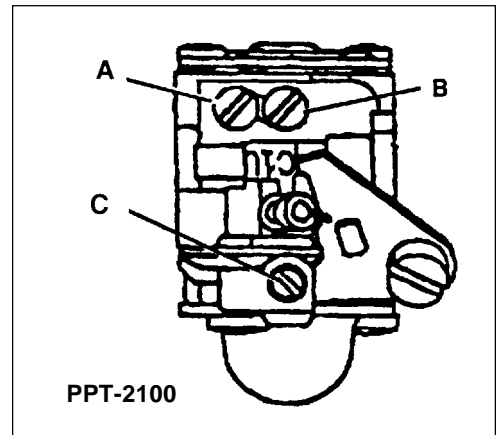
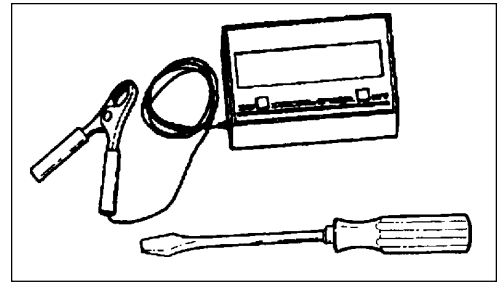
IMPORTANT

DO NOT over tighten needles. Forcing them to tighten will damage the carburetor.

2. Turn needles out CCW
PPT-2100 LO (B) 1-3/8 turns; HI (A) 1-7/8 turns
PPT-2400 LO (B) 2-1/2 turns; HI (A) 2-1/4 turns

Fine Tuning (Requires Accurate Tachometer)

1. Start engine and allow to warm to operating temperature (minimum 2 - 3 minutes) varying engine speed from idle to full throttle.
2. Always begin fine tuning with LO (B) needle.
 - a. Lean drop-off - With engine idling, turn LO (B) needle slowly CW (in) to lean drop-off point. RPM will increase, then abruptly drop-off. Note this position. (1)
 - b. Rich drop-off - With engine idling, slowly turn LO (B) needle CCW (out) to rich drop-off point. RPM will increase then gradually slow and drop-off. Note this position. (2)
 - c. Final setting - Set needle at mid point between lean rich drop-off points. (3)
 - d. Turn needle 1/8 turn CCW (out) making mixture slightly richer. (4)
3. HI speed adjustment.
Adjust HI (A) needle with tachometer. Refer to Wide Open Throttle RPM settings listed in "Specifications" on page 13.
4. Check idle speed and reset if necessary. If tachometer is available, idle speed should be set to the specifications found on page 13 "Specifications" of this manual.



WARNING DANGER

When carburetor adjustment is completed, cutting attachment should not move at idle, otherwise serious personal injury may result.

GUIDE BAR AND SAW CHAIN REPLACEMENT

WARNING DANGER

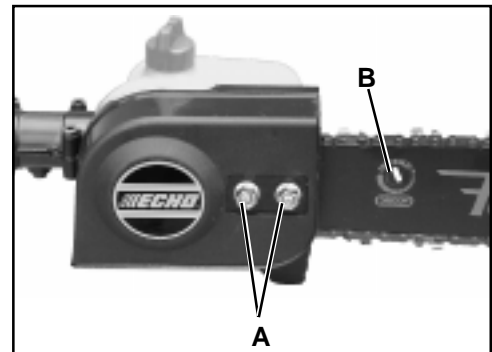
Never try to replace or adjust guide bar and saw chain with engine running. This saw chain is VERY sharp, wear heavy gloves to protect your hands when handling it. Wear eye protection meeting CE or ANSI Z87.1 specification.

Guide Bar Replacement / Installation

Level 2.

Tools required: 10mm (13/32 in.) Socket, Screwdriver

- Loosen two (2) 10mm (13/32 in.) guide bar nuts (A) and relieve saw chain tension turning adjuster slot (B) counter clockwise.
- Remove sprocket cover.
- Free saw chain from sprocket and remove from guide bar. If guide bar is okay proceed to saw chain installation.
- Slide guide bar forward and remove from cutting attachment. Install new guide bar sliding it onto the cutting attachment as far as possible.



Saw Chain Installation

Level 2.

- Install new saw chain onto guide bar. Make sure cutting links are faced towards the nose of the guide bar.
- Engage saw chain with sprocket.
- Replace sprocket cover and guide bar nuts.
- Follow instruction on adjusting saw chain tension page 16.

FILING SAW CHAIN

Level 2.

Tools required: 4.5 mm round File P/N 89751001130; Flat File P/N 89751100230; Depth Gauge P/N 89751400232.

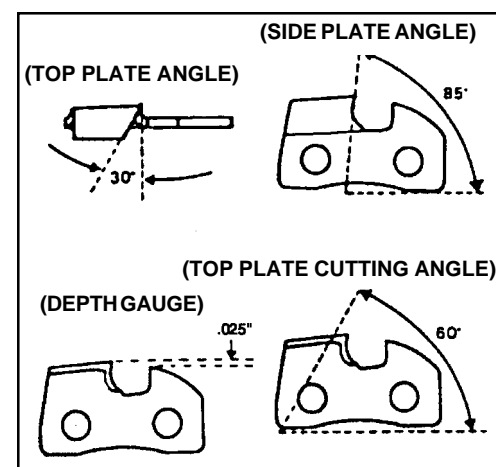
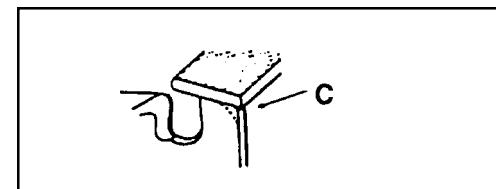
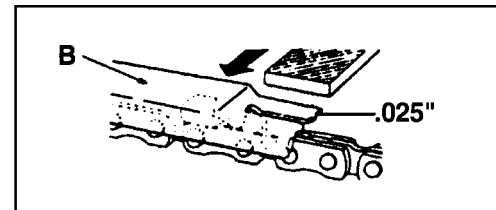
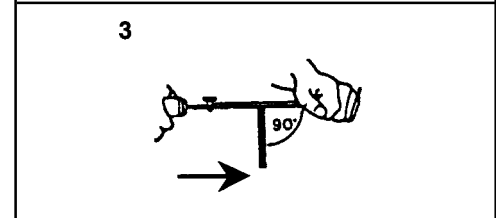
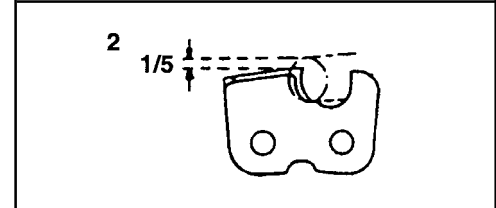
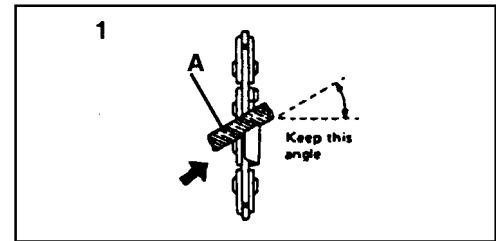
IMPORTANT

Dull or damaged cutters will result in poor cutting performance, increased vibration and premature saw chain failure.

WARNING DANGER

Always stop engine and wear gloves when filing saw chain, otherwise serious personal injury may result.

1. Set round file (A) in cutter at 30° angle. One fifth (1/5) of the file should be exposed above top cutter edge.
2. Keep file horizontal in cutter and file in one direction.
3. File until cutter top and side bevel edges are sharp without nicks.
4. Place depth gauge tool (B) firmly on top of cutter with .025" slot and end against front cutter raker. File cutter raker with flat file until flush with top of depth gauge.
5. Finish cutter sharpening by rounding front raker edge (C) with flat file.
6. Properly filed cutter is as shown.
7. Apply clean oil and rotate saw chain slowly to wash away filings.
8. If saw chain is coated or clogged with resin, clean in kerosene then soak in oil.



TROUBLESHOOTING

Problem				
Engine -- starts hard				
Engine -- does not start			Cause	Remedy
Engine Cranks	Fuel at carburetor	No fuel at carburetor	Fuel strainer clogged Fuel line clogged Carburetor	Clean Clean See your ECHO dealer
	Fuel at cylinder	No fuel at cylinder	Carburetor	See your ECHO dealer
		Muffler wet with fuel	Fuel Mixture is too rich	Open choke Clean/replace air filter Adjust carburetor See your ECHO dealer
	Spark at end of plug wire	No spark at end of plug wire	Stop switch off Electrical problem Interlock switch	Turn switch on See your ECHO dealer See your ECHO dealer
	Spark at plug	No spark at plug	Spark gap incorrect Covered with carbon Fouled with fuel Spark plug defective	Adjust 0.65mm (0.026in.) Clean or replace Clean or replace Replace plug
Engine does not crank			Internal engine problem	See your ECHO dealer
Engine runs	Dies or accelerates poorly		Air filter dirty Fuel filter dirty Fuel vent plugged Spark plug Carburetor Cooling system plugged Spark arrestor screen plugged	Clean or replace Replace Replace Clean and adjust/replace Adjust Clean Clean

WARNING DANGER

Fuel vapors are **extremely** flammable and may cause fire and/or explosion. **Never** test for ignition spark near an open spark plug opening, otherwise serious personal injury may result.

STORAGE

Long Term Storage (over 30 days)

Do not store your unit for a prolonged period of time (30 days or longer) without performing protective storage maintenance which includes the following:

1. Store unit in a dry, dust free place, out of the reach of children.

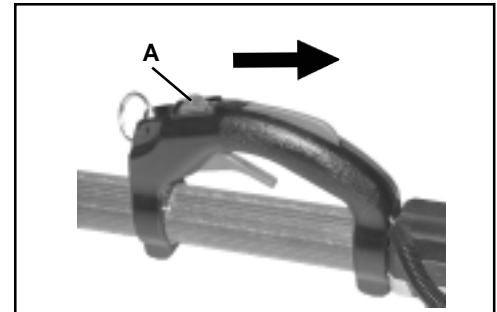
WARNING DANGER

Do not store in enclosure where fuel fumes may accumulate or reach an open flame or spark.

2. Place the stop switch (A) in the "STOP" position.
3. Remove accumulation of grease, oil, dirt and debris from exterior of unit.

IMPORTANT

Some tree sap and resins are corrosive. Thoroughly wash the guide bar and sprocket areas after each use, then coat metal parts with light oil.



4. Perform all periodic lubrication and services that are required.
5. Tighten all the screws and nuts.
6. **Drain** the fuel tank **completely** and pull the recoil starter handle several times to remove fuel from the carburetor.
7. Remove the spark plug and pour 7 cc (1/4 oz.) (1/2 tablespoon) of fresh, clean, two-stroke engine oil into the cylinder through the spark plug hole.
 - A. Place a clean cloth over the spark plug hole.
 - B. Pull the recoil starter handle 2-3 times to distribute the oil inside the engine.
 - C. Observe the piston location through the spark plug hole. Pull the recoil handle slowly until the piston reaches the top of its travel and leave it there.
8. Install the spark plug (do not connect ignition cable).
9. Install the guide bar cover on guide bar and saw chain.



NOTES

NOTES

SERVICING INFORMATION

PARTS

Genuine ECHO Parts and ECHO REPOWER™ Parts and Assemblies for your ECHO products are available only from an Authorized ECHO Dealer. When you do need to buy parts **always** have the Model Number, Type number and Serial Number of the unit with you. You can find all three numbers on the engine housing. For future reference, write them in the space provided below.

Model No. _____ Type No. _____ SN. _____

SERVICE

Service of this product during the warranty period must be performed by an Authorized ECHO Service Dealer. For the name and address of the Authorized ECHO Service Dealer nearest you, ask your retailer or call: 1-800-432-ECHO (3246). When presenting your unit for Warranty service/repairs, proof of purchase is required.

ECHO CONSUMER PRODUCT SUPPORT

If you require assistance or have questions concerning the application, operation or maintenance of this product you may call the ECHO Consumer Product Support Department at 1-800-673-1558 from 8:00 am to 5:00 pm (Central Standard Time) Monday through Friday. Before calling, please know the model and serial number of your unit to help your Consumer Product Support Representative.

WARRANTY CARD

This card is our means of registering all original owners of ECHO equipment. The card plus proof of purchase provides you the assurance that authorized warranty work will be done. It also provides a direct link between you and ECHO if we find it necessary to contact you.

ADDITIONAL OR REPLACEMENT MANUALS

Safety Manuals P/N 752000000 are available, free of charge, from your ECHO dealer or by contacting Echo Incorporated, 400 Oakwood Road, Lake Zurich, IL 60047.

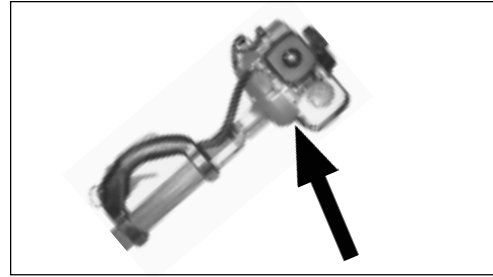
Operator's and Parts Manuals are available for purchase from your ECHO dealer or directly from ECHO. [See ordering instructions below.]

ORDERING INSTRUCTIONS

To obtain a Parts Catalog or Operator's Manual send a check or money order for \$2.00 per Parts Catalog or \$1.50 per Operator's Manual made payable to ECHO, INCORPORATED. State on a sheet of paper the model number and serial number of the ECHO unit you have, part number of the manual (if known), your name and address and mail to address above.

Available Parts Catalog

PPT-2100 Type 1/1E S/N 503550 & Up 99922203003
PPT-2400 Type 1/1E S/N 505900 & Up 99922203004



DEALER?

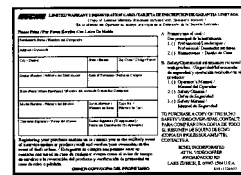
Call

1-800-432-ECHO

CONSUMER PRODUCT SUPPORT

1-800-673-1558

8 - 5 Mon - Fri C.S.T.



ECHO Incorporated
400 Oakwood Road
Lake Zurich, IL 60047

Technical Publications Orders



ECHO, INCORPORATED

400 OAKWOOD ROAD
LAKE ZURICH, IL 60047



**SUPPLEMENT TO OPERATOR'S MANUAL
PART NUMBER X7502304800 (X750001640)
FOR MODEL: PPT-24A**

Your Power Pruner Model PPT-24A is exempt from emission compliance. The Operator and Safety Manuals, that were packed with this unit, should be used for safety, assembly, operating, maintenance, and storage of the PPT-24A

ECHO CONSUMER PRODUCT SUPPORT

If you require assistance or have questions concerning the application, operation or maintenance of this product you may call the ECHO Consumer Product Support Department at 1-800-673-1558 from 8:00 am to 5:00 pm (Central Standard Time) Monday through Friday. Before calling, please know the model and serial number of your unit to help your Consumer Product Support Representative.

OR

VISIT OUR WEB SITE AT WWW.ECHO-USA.COM

**SUPLEMENTO DEL MANUAL DEL OPERADOR
NÚMERO DE PIEZA X7502304800 (X750001640)
PARA LOS MODELOS: PPT-24A**

Su podadora modelo PPT-24A esta exempta del as regulaciones de emisión. Los manuales del operador y seguridad, que se encuentran empaquetados está unidad, deberan ser usados para la seguridad, ensamblaje, operación, mantenimiento, y almacenamiento de la unidad PPT-24A.

ASISTENCIA PARA PRODUCTOS DEL CONSUMIDOR DE ECHO

Si necesita asistencia o tiene dudas referentes a la aplicación, operación o mantenimiento de este producto puede llamar al Departamento de asistencia de productos del consumidor de ECHO, 1-800-673-1558 de 8:00 de la mañana a 5:00 de la tarde (hora central estándar) de lunes a viernes. Antes de llamar, tenga a mano el número de modelo y serie de su unidad para ayudar a su representante de asistencia de productos del consumidor.

O

VISITE NUESTRA PAGAINA EN EL INTERNET WWW.ECHO-USA.COM