

Real-time Edge Software User Guide



Contents

- Chapter 1 Introduction..... 8**
 - 1.1 Real-time Edge software..... 8
 - 1.2 Real-time Edge Software Yocto Project..... 8
 - 1.3 Supported NXP platforms..... 8
 - 1.4 Related documentation..... 8
 - 1.5 Acronyms and abbreviations..... 9

- Chapter 2 Release notes..... 12**
 - 2.1 What's new..... 12
 - 2.1.1 What's new in Real-time Edge software v2.0..... 12
 - 2.1.2 What's new in OpenIL v1.11..... 13
 - 2.1.3 What's new in OpenIL v1.10..... 13
 - 2.1.4 What's new in OpenIL v1.9..... 14
 - 2.1.5 What's new in OpenIL v1.8..... 15
 - 2.1.6 What's new in OpenIL v1.7..... 15
 - 2.1.7 What's new in OpenIL v1.6..... 16
 - 2.1.8 What's new in OpenIL v1.5..... 16
 - 2.1.9 What's new in OpenIL v1.4..... 16
 - 2.2 Feature Support Matrix..... 17
 - 2.3 Open, fixed, and closed issues..... 19

- Chapter 3 Real-time System..... 21**
 - 3.1 Preempt-RT Linux..... 21
 - 3.1.1 System Real-time Latency tests..... 21
 - 3.1.1.1 Running Cyclictst..... 21
 - 3.1.2 Real-time application development..... 21
 - 3.2 BareMetal..... 22
 - 3.2.1 Overview 22
 - 3.2.1.1 BareMetal framework..... 22
 - 3.2.1.2 Supported platforms..... 24
 - 3.2.2 Getting started..... 24
 - 3.2.2.1 Hardware and software requirements..... 24
 - 3.2.2.2 Hardware setup..... 25
 - 3.2.2.2.1 i.MX 8M Mini EVK and i.MX 8M Plus EVK board..... 25
 - 3.2.2.2.2 LS1028ARDB, LX2160ARDB, LS1043ARDB, or LS1046ARDB..... 25
 - 3.2.2.2.3 LS1021A-IoT board..... 25
 - 3.2.2.3 Building the BareMetal images from U-Boot source code..... 26
 - 3.2.2.3.1 Building BareMetal binary for slave cores..... 27
 - 3.2.2.4 Building the image through Yocto..... 27
 - 3.2.2.4.1 Getting Real-time Edge software..... 27
 - 3.2.2.4.2 Building the BareMetal images..... 28
 - 3.2.2.4.3 Booting up the Linux with BareMetal..... 28
 - 3.2.3 Running examples..... 29
 - 3.2.3.1 Preparing the console..... 29
 - 3.2.3.2 Running the BareMetal binary..... 29
 - 3.2.4 Development based on BareMetal framework..... 30
 - 3.2.4.1 Developing the BareMetal application..... 30
 - 3.2.4.2 Example software..... 30
 - 3.2.4.2.1 Main file app.c..... 30

- 3.2.4.2.2 Common header files..... 31
- 3.2.4.2.3 GPIO file..... 31
- 3.2.4.2.4 I2C file..... 32
- 3.2.4.2.5 IRQ file..... 33
- 3.2.4.2.6 QSPI file..... 33
- 3.2.4.2.7 IFC..... 35
- 3.2.4.2.8 Ethernet..... 36
- 3.2.4.2.9 USB file..... 37
- 3.2.4.2.10 PCIe file..... 38
- 3.2.4.2.11 CAN file..... 39
- 3.2.4.2.12 ENETC file..... 40
- 3.2.4.2.13 SAI file..... 40
- 3.2.4.3 ICC module..... 44
 - 3.2.4.3.1 ICC examples..... 47
- 3.2.4.4 Hardware resource allocation..... 48
 - 3.2.4.4.1 LS1021A-IoT board..... 48
 - 3.2.4.4.2 LS1028ARDB board..... 52
 - 3.2.4.4.3 LS1043ARDB or LS1046ARDB board..... 55
 - 3.2.4.4.4 LX2160ARDB board..... 58
 - 3.2.4.4.5 i.MX 8M Mini EVK and i.MX 8M Plus EVK board..... 58
- 3.3 Jailhouse..... 60
 - 3.3.1 Overview..... 60
 - 3.3.2 Running PREEMPT_RT Linux in Inmate..... 60
 - 3.3.2.1 i.MX 8M Plus EVK..... 60
 - 3.3.2.2 LS1028ARDB..... 61
 - 3.3.2.3 LS1046ARDB..... 61
 - 3.3.3 Running Jailhouse Examples In Inmate..... 62
 - 3.3.3.1 i.MX 8M Plus EVK..... 62
 - 3.3.3.2 LS1028ARDB Jailhouse example in Inmate..... 63
 - 3.3.3.3 LS1046ARDB Jailhouse example..... 64

Chapter 4 Real-time Networking..... 65

- 4.1 Time Sensitive Networking (TSN) on NXP platforms..... 65
 - 4.1.1 TSN hardware capability..... 65
 - 4.1.2 TSN configuration..... 65
 - 4.1.2.1 Using Linux traffic control (tc)..... 66
 - 4.1.2.2 Tsntool..... 67
 - 4.1.2.2.1 Tsntool User Manual..... 67
 - 4.1.2.3 Remote configuration using NETCONF/YANG..... 77
 - 4.1.2.4 Web-based configuration..... 78
 - 4.1.2.4.1 **Setting up web server**..... 78
 - 4.1.2.4.2 Remote configuration..... 80
 - 4.1.3 TSN on i.MX 8M Plus..... 82
 - 4.1.3.1 Test environment..... 82
 - 4.1.3.2 Clock synchronization..... 83
 - 4.1.3.3 Qbv..... 84
 - 4.1.3.4 Qbu..... 84
 - 4.1.3.5 Qav..... 87
 - 4.1.4 TSN on LS1028A..... 88
 - 4.1.4.1 TSN configuration on ENETC..... 88
 - 4.1.4.1.1 Clock synchronization..... 88
 - 4.1.4.1.2 Qbv..... 89
 - 4.1.4.1.3 Qbu..... 92
 - 4.1.4.1.4 Qci..... 93

4.1.4.1.5 Qav.....	97
4.1.4.2 TSN configuration on Felix switch.....	98
4.1.4.2.1 Linux switch configuration.....	98
4.1.4.2.2 Clock synchronization.....	99
4.1.4.2.3 Qbv test setup for LS1028ARDB.....	100
4.1.4.2.4 Qbu.....	101
4.1.4.2.5 Qci.....	103
4.1.4.2.6 Qav.....	109
4.1.4.2.7 802.1CB.....	111
4.1.4.2.8 TSN stream identification.....	113
4.1.5 TSN on LS1021A-TSN.....	115
4.1.5.1 Topology.....	115
4.1.5.2 SJA1105 Linux support.....	116
4.1.5.3 Synchronized 802.1Qbv demo.....	119
4.2 GenAVB/TSN stack.....	124
4.2.1 Introduction.....	124
4.2.1.1 gPTP stack.....	124
4.2.1.2 SRP stack.....	124
4.2.1.3 TSN Endpoint example application.....	124
4.2.1.4 Supported configurations.....	125
4.2.2 Building the image through Yocto.....	125
4.2.3 GenAVB/TSN stack start/stop.....	126
4.2.4 Use cases description.....	126
4.2.4.1 gPTP Bridge.....	126
4.2.4.2 gPTP Endpoint.....	127
4.2.4.3 gPTP multiple domains.....	127
4.2.4.3.1 Requirements.....	127
4.2.4.3.2 gPTP Stack Configuration.....	128
4.2.4.3.3 Evaluation Instructions.....	129
4.2.4.4 AVB Bridge.....	129
4.2.4.4.1 Requirements.....	129
4.2.4.4.2 AVB network configuration.....	130
4.2.4.4.3 Setup preparation.....	131
4.2.4.4.4 Evaluation instructions.....	132
4.2.4.5 TSN endpoint sample application.....	134
4.2.4.5.1 Requirements.....	134
4.2.4.5.2 Configuring GenAVB/TSN stack and example applications.....	134
4.2.4.5.3 TSN network configuration.....	134
4.2.4.5.4 Setup preparation.....	135
4.2.4.5.5 Evaluation instructions.....	138
4.2.5 Configuration files.....	142
4.2.5.1 System.....	142
4.2.5.2 gPTP.....	143
4.2.5.2.1 General.....	143
4.2.5.2.2 Grandmaster parameters.....	145
4.2.5.2.3 Automotive parameters.....	146
4.2.5.2.4 Timing.....	147
4.2.5.2.5 PORTn.....	147
4.2.5.3 SRP.....	148
4.2.6 Log files.....	148
4.2.6.1 gPTP Endpoint.....	148
4.2.6.2 gPTP Bridge.....	151
4.2.6.3 SRP Bridge.....	151
4.2.6.4 TSN Endpoint example application.....	152
4.2.6.4.1 Main TSN task.....	152

4.2.6.4.2 Network socket.....	153
4.2.6.4.3 Application socket.....	154
4.3 IEEE 1588/802.1AS.....	154
4.3.1 Introduction.....	154
4.3.2 IEEE 1588 device types.....	154
4.3.3 IEEE 802.1AS time-aware systems.....	155
4.3.4 Software stacks.....	155
4.3.4.1 linuxptp stack.....	155
4.3.4.2 NXP GenAVB/TSN gPTP stack.....	156
4.3.5 Quick Start for IEEE 1588.....	156
4.3.5.1 Ordinary clock verification.....	156
4.3.5.2 Boundary clock verification.....	157
4.3.5.3 Transparent clock verification.....	158
4.3.6 Quick Start for IEEE 802.1AS.....	159
4.3.6.1 Time-aware end station verification.....	159
4.3.6.2 Time-aware bridge verification.....	160
4.3.7 Long term test.....	160
4.3.7.1 linuxptp basic synchronization.....	160
4.3.8 Known issues and limitations.....	162
4.4 Networking.....	163
4.4.1 Q-in-Q on LS1028A Felix switch.....	163
4.4.2 VCAP on LS1028A Felix switch.....	164

Chapter 5 Protocols..... 168

5.1 EtherCAT.....	168
5.1.1 Introduction.....	168
5.1.2 IGH EtherCAT architecture.....	168
5.1.3 EtherCAT protocol.....	169
5.1.4 IGH EtherCAT Device Modules.....	170
5.1.5 IGH EtherCAT integration and setup.....	170
5.1.5.1 Building IGH EtherCAT.....	170
5.1.5.2 IGH EtherCAT setup.....	170
5.1.6 real-time-edge-servo stack.....	172
5.1.6.1 CoE network.....	172
5.1.6.2 Libnservo architecture.....	173
5.1.6.3 real-time-edge-servo Xml configuration.....	173
5.1.6.3.1 Master element.....	174
5.1.6.3.2 Axle element.....	177
5.1.6.4 Test.....	177
5.1.6.4.1 Hardware preparation	177
5.1.6.4.2 Software preparation.....	178
5.1.6.4.3 CoE network detection.....	178
5.1.6.4.4 Start test.....	179
5.2 FlexCAN and CAN Open.....	180
5.2.1 Introduction.....	181
5.2.1.1 CAN bus.....	181
5.2.1.2 CANopen.....	182
5.2.2 FlexCAN integration in Real-time Edge.....	184
5.2.2.1 LS1021AIOT CAN resource allocation.....	184
5.2.2.2 Introducing the function of CAN example code.....	185
5.2.3 Running a CAN application.....	186
5.2.3.1 Hardware preparation for LS1021-IoT.....	186
5.2.3.2 Hardware preparation for LS1028ARDB.....	188
5.2.3.3 Compiling the CANopen-app binary for the master node.....	188

5.2.3.4	Running the CANopen application.....	189
5.2.3.5	Running the SocketCAN commands.....	192
5.2.3.6	Testing CAN bus.....	192
5.3	OPC UA.....	193
5.3.1	OPC introduction.....	193
5.3.2	The node model.....	194
5.3.3	Node Namespaces.....	194
5.3.4	Node classes.....	195
5.3.5	Node graph and references.....	195
5.3.6	Open62541.....	196
5.4	NETCONF/YANG.....	197
5.4.1	Overview.....	197
5.4.2	Netopeer2.....	198
5.4.2.1	Overview.....	198
5.4.2.2	Installing Netopeer2-cli on Ubuntu18.04.....	199
5.4.2.3	Sysrepo.....	200
5.4.2.4	Netopeer2 server.....	200
5.4.2.5	Netopeer2 client.....	200
5.4.2.6	Workflow in application practice.....	201
5.4.3	Configuration.....	201
5.4.3.1	Enabling NETCONF feature.....	201
5.4.3.2	Netopeer2-server.....	202
5.4.3.3	Netopeer2-cli	202
5.4.3.3.1	Netopeer2 CLI commands.....	202
5.4.3.3.2	Netopeer2 CLI datastore.....	205
5.4.3.4	Sysrepor.....	205
5.4.3.5	Sysreporcfg.....	206
5.4.3.6	Sysreporctl.....	206
5.4.3.7	Operation examples.....	207
5.4.3.8	Application scenarios.....	209
5.4.4	Troubleshooting.....	212
5.5	Graphics on LS1028A.....	213
5.5.1	GPU.....	213
5.5.2	Wayland and Weston.....	216
5.5.3	CSI Camera.....	220
5.6	Wireless on LS1028A.....	223
5.6.1	NFC.....	223
5.6.1.1	Introduction.....	223
5.6.1.2	PN7120 features.....	224
5.6.1.3	Hardware preparation.....	224
5.6.1.4	Software preparation.....	224
5.6.1.5	Testing the NFC click board.....	224
5.6.2	Bluetooth Low Energy.....	225
5.6.2.1	Introduction.....	225
5.6.2.2	Bluetooth Low Energy.....	226
5.6.2.3	Features.....	226
5.6.2.4	Hardware preparation.....	226
5.6.2.5	Software preparation.....	227
5.6.2.6	Testing the BLE P click board.....	228
5.6.3	BEE.....	230
5.6.3.1	BEE/ZigBEE.....	230
5.6.3.2	Introduction.....	230
5.6.3.3	Features.....	230
5.6.3.4	Hardware preparation.....	230
5.6.3.5	Software preparation.....	231

5.6.3.6 Testing the BEE click board.....232

Chapter 6 Revision history.....233

Chapter 1

Introduction

1.1 Real-time Edge software

Real-time Edge Software is an evolved version of Open Industrial Linux (OpenIL) for real-time and deterministic systems in different fields. The key technology components include Real-time Networking, Real-time System, and Industrial.

- The Real-time Networking includes TSN technology, TSN standards, management, configuration, and applications. Networking and redundancy features are also supported.
- The Real-time System includes PREEMPT_RT Linux, Jailhouse, and U-Boot based BareMetal framework and the different combinations between these systems.
- The 'Protocols' component includes support for industry standard protocols such as EtherCAT, CoE, OPC-UA, and so on.

This document describes the features and implementation of Real-time Edge Software on NXP hardware platforms.

1.2 Real-time Edge Software Yocto Project

For using Yocto build environment, refer to the *Real-time Edge Yocto Project User Guide*.

The *Real-time Edge Yocto Project User Guide* describes how to build an Real-time Edge image for both i.MX and QorIQ boards by using a Yocto Project build environment.

1.3 Supported NXP platforms

The following table lists the NXP hardware SoCs and boards that support the Real-time Edge software.

Table 1. Supported NXP platforms

Platform	Architecture	Boot
i.MX 6ULL EVK	Arm v7	SD
i.MX 8M Mini EVK	Arm v8	SD
i.MX 8M Plus EVK	Arm v8	SD
LS1028ARDB	Arm v8	SD
LS1021AIOT	Arm v7	SD
LS1021ATSN	Arm v7	SD
LS1021ATWR	Arm v7	SD
LS1012ARDB	Arm v8	QSPI
LS1043ARDB	Arm v8	SD
LS1046ARDB	Arm v8	SD
LS1046AFRWY	Arm v8	SD
LX2160ARDB	Arm v8	SD
LX2160A Rev2	Arm v8	SD

1.4 Related documentation

For using Yocto build environment, refer to the *Real-time Edge Yocto Project User Guide* on the URL <http://nww.preview.nxp.com/design/software/development-software/real-time-edge-software:REALTIME-EDGE-SOFTWARE>.

Refer to the following guides for detailed instructions on booting up and setting up the relevant boards.

- [i.MX 6ULL EVK Quick Start Guide](#)
- [i.MX 8M Mini EVK Quick Start Guide](#)
- [i.MX 8M Plus EVK Quick Start Guide](#)
- [LS1028ARDB Quick Start Guide](#)
- [LS1021AIoT Getting Started Guide](#)
- [LS1021ATSN Getting Started Guide](#)
- [LS1021ATWR Getting Started Guide](#)
- [LS1012ARDB Getting Started Guide](#)
- [LS1043ARDB Getting Started Guide](#)
- [LS1046ARDB Getting Started Guide](#)
- [LS1046AFRWY Getting Started Guide](#)
- [LX2160A/LX2160A-Rev2 RDB Quick Start Guide](#)

1.5 Acronyms and abbreviations

The following table lists the acronyms used in this document.

Table 2. Acronyms and abbreviations

Term	Description
AVB	Audio video bridging
BC	Boundary clock
BLE	Bluetooth low energy
BMC	Best master clock
CA	Client application
CAN	Controller area network
CBS	Credit-based shaper
DEI	Drop eligibility indication
DP	Display port
EtherCAT	Ethernet for control automation technology
ECU	Electronic control units
FDB	Forwarding data base
FQTS	Forwarding and queuing enhancements for time-sensitive streams
FMan	Frame manager
GPU	General processor unit
ICMP	Internet control message protocol
IEEE	Institute of electrical and electronics engineers

Table continues on the next page...

Table 2. Acronyms and abbreviations (continued)

Term	Description
IETF	Internet engineering task force
IPC	Inter-processor communication
KM	Key management
LBT	Latency and bandwidth tester
MAC	Medium access control
NFC	Near field communication
NCI	NFC controller interface
NMT	Network management
OC	Ordinary clock
OpenIL	Open industry Linux
OPC	Open platform communications
OP-TEE	Open portable trusted execution environment
OS	Operating system
OTA	Over-the-air
OTPMK	One-time programmable master key
PCP	Priority code point
PDO	Process data object
PHC	PTP hardware clock
PIT	Packet inter-arrival times
PLC	programmable logic controller
PTP	Precision time protocol
QSPI	Queued serial peripheral interface
RCW	Reset configuration word
REE	Rich execution environment
RPC	Remote procedure call
RTEdge	Real-time Edge
RTC	Real-time clock
RTT	Round-trip times
SABRE	Smart application blueprint for rapid engineering
SDO	Service data object
SPI	Serial periphery interface
SRP	Stream reservation protocol

Table continues on the next page...

Table 2. Acronyms and abbreviations (continued)

Term	Description
SRK	Single root key
TA	Trusted application
TAS	Time-aware scheduler
TC	Traffic classification
TCP	Transmission control protocol
TEE	Trusted execution environment
TFTP	Trivial file transfer protocol
TSN	Time sensitive networking
TZASC	Trust zone address space controller
UDP	User datagram protocol
VLAN	Virtual local area network

Chapter 2

Release notes

2.1 What's new

The following sections describe the new features for each release.

2.1.1 What's new in Real-time Edge software v2.0

- **Based on Yocto project 3.2 (Gatesgarth)**
- **Real-time System**
 - PREEMPT-RT Linux
 - Heterogeneous architecture
 - BareMetal: PREEMPT-RT Linux on A core + BareMetal architecture on A core
 - i.MX 8M Plus EVK, i.MX 8M Mini EVK, LS1028ARDB, LS1046ARDB, LS1043ARDB, LS1021A-IoT
 - Jailhouse: PREEMPT-RT Linux on A core + Jailhouse + PREEMPT-RT Linux on A core
 - i.MX 8M Plus EVK, LS1028ARDB, LS1046ARDB
- **Real-time Networking**
 - TSN
 - TSN Standards
 - IEEE 802.1Qav
 - IEEE 802.1Qbv
 - IEEE 802.1Qbu
 - IEEE 802.1Qci
 - IEEE 802.1CB
 - IEEE 802.1AS-2020 (gPTP)
 - IEEE 802.1Qat-2010 (SRP)
 - TSN Configurations
 - Linux tc command and tsntool
 - NETCONF/YANG
 - Dynamic TSN configuration - web-based TSN configuration, dynamic topology discovery
 - TSN Applications
 - Example for real-time traffic processing
 - Networking
 - 802.1 Q-in-Q
 - VCAP tc flower chain mode
 - Priority set, VLAN tag push/pop/modify, Policer Burst and Rate Configuration, drop/trap/redirect
- **Industrial**
 - EtherCAT master

- IGH EtherCAT master stack
- Native EtherCAT-capable network driver module (i.MX 8M Mini EVK)
- FlexCAN
 - SocketCAN on Linux kernel
- CANOpen
 - CANOpen master and slave example code
- CoE: CANOpen over EtherCAT
 - CiA402(DS402) profile framework based on IGH CoE interface
 - EtherCAT CoE 6-8 axis control (i.MX 8M Mini EVK)
- OPC-UA/OPC-UA pub/sub
 - open62541
- Modbus
 - Modbus master and slave
 - Modbus-RTU
 - Modbus-TCP
 - Modbus-ASCII
- **New Added Platform**
 - i.MX 6ULL EVK

2.1.2 What's new in OpenIL v1.11

What's New:

- **TSN**
 - 802.1AS-2020
 - Initial support for multi-domain on i.MX 8M Plus and LS1028A
- **Hardware**
 - i.MX 8M Plus silicon A1
- **Linux Kernel**
 - LTS 5.4.70 for i.MX 8 Series
- **U-Boot**
 - v2020.04 for i.MX 8 Series
- **BareMetal**
 - v2020.04 for Layerscape and i.MX 8 Series
 - i.MX 8M Plus EVK

2.1.3 What's new in OpenIL v1.10

What's New:

- **TSN**
 - VCAP chain mode
 - GenAVB/TSN stack

- **Real-time**
 - PREEMPT-RT 5.4 on i.MX 8M Mini
 - Ethernet
 - PCIe
 - GPIO
 - DSI
- **BareMetal**
 - i.MX 8M Mini EVK (A core to A core)
 - ICC
 - Ethernet
 - GPIO
- **OpenIL framework**
 - Board
 - i.MX 8M Mini platform
 - GPU: OpenGL ES
 - Display: OpenGL ES, Weston, DSI-MIPI, CSI-MIPI

2.1.4 What's new in OpenIL v1.9

What's New:

- **TSN**
 - tc flower support for Qbu and Qci
 - 802.1 QinQ
 - Multi-ports TSN switch solution
 - i.MX 8M Plus - TSN
- **Real-time**
 - PREEMPT-RT 5.4 on i.MX 8M Plus
- **BareMetal**
 - LX2160ARDB rev2 support and ICC
- **OpenIL framework**
 - linuxptp uprev to 3.0
 - Board
 - i.MX 8M Plus EVK
 - TSN: Qbv, Qbu, Qav
 - GPU: OpenGL ES, OpenCL
 - Display: OpenGL ES, Weston
 - LS1028ARDB
 - Display: OpenGL ES, Weston
 - GPU: OpenGL ES, OpenCL

- LX2160ARDB rev2

2.1.5 What's new in OpenIL v1.8

What's New:

- TSN
 - tc VCAP support for VLAN-retagging
 - tc VCAP support for police
 - tc support for Qav and Qbv
 - SJA1105 DSA Support and clock synchronization
 - YANG modules for network config (IP, MAC, and VLAN)
- Real time
 - PREEMPT-RT 5.4
- BareMetal
 - LX2160A rev1 ICC
- OpenIL framework
 - buildroot uprev to 2020.02
 - Kernel/U-Boot
 - Linux upgraded to LSDK20.04 - Linux-5.4.3
 - U-Boot upgraded to LSDK20.04 - U-Boot 2019.10
 - Board
 - i.MX 8M Mini
 - Foxconn LS1028ATSN board with SJA1105

2.1.6 What's new in OpenIL v1.7

What's New:

- TSN
 - BC-based 802.1AS bridge mode
 - Netoppper2 support based on sysrepo. Support Qbv, Qbu, Qci configuration
 - VLAN-based tc flower policer
 - Web-based TSN configuration tool - available for Qbv, Qbu and Qci configuration
- Real time
 - Xenomai
 - Xenomai I-pipe uprev to 4.19
 - BareMetal
 - SAI support on LS1028
 - i.MX6Q BareMetal ICC
- Industrial protocols
 - CANopen over EtherCAT
- OpenIL framework

- Kernel/U-Boot
 - Linux upgraded to LSDK1909 - 4.19
 - U-Boot upgraded to U-Boot-2019.04
- Boards
 - LX2160ARDB SD boot
 - LX2160ARDB XSPI boot
 - LS1028ARDB XSPI boot
 - LS1046ARDB eMMC boot

2.1.7 What's new in OpenIL v1.6

What's New:

- TSN
 - Web based TSN configuration tool - available for Qbv and Qbu configuration
 - TSN driver enhancement
- Real time
 - BareMetal
 - i.MX6Q-sabresd BareMetal support
- NETCONF/YANG
 - NETCONF/YANG model for Qbu and Qci protocol
- Industrial protocols
 - LS1028A - BEE click board

2.1.8 What's new in OpenIL v1.5

What's New:

- TSN
 - Web based TSN configuration tool - available for Qbv and Qbu configuration
 - 802.1AS endpoint mode for LS1028A TSN switch
- Real time
 - Xenomai
 - LS1028 ENETC Xenomai RTNET support
 - BareMetal
 - LS1028 BareMetal ENETC support
- NETCONF/YANG
 - NETCONF/YANG model for Qbv protocol
- Industrial protocols
 - LS1028A - BLE click board

2.1.9 What's new in OpenIL v1.4

What's New:

- TSN
 - ENETC TSN driver: Qbv, Qbu, Qci, Qav
 - ENETC 1588 two steps timestamping support
 - SWTICH TSN driver: Qbv, Qci, Qbu, Qav, 802.1CB support
- Real time
 - Xenomai
 - LS1028ARDB
 - BareMetal
 - LS1021AIoT, LS1043ARDB, LS1046ARDB
 - LS1028 BareMetal basic BareMetal support
- Industrial protocols
 - LS1028A - NFC click board
 - QT5.11
- OpenIL framework
 - boards: LS1028ARDB

2.2 Feature Support Matrix

The following tables show the features that are supported in this release.

Table 3. Key features

Feature		i.MX 6ULL 14x14 EVK	i.MX 8M Mini EVK	i.MX 8M Plus EVK	LS10 28A RDB	LS10 21A TSN	LS10 21A IOT	LS10 21A TWR	LS10 12A RDB	LS10 43A RDB	LS10 46A RDB	LS10 46A FRW Y	LX21 60A RDB	
Boot mode	SD	Y	Y	Y	Y	Y	Y	Y		Y	Y	Y	Y	
	QSPI								Y					
Real - Time System	Preempt-RT Linux	Y	Y	Y	Y	Y	Y	Y	Y	Y	Y	Y	Y	
	Bare Metal	ICC		Y	Y	Y		Y			Y	Y		Y
		PCIe				Y		Y			Y	Y		
		Ethernet		Y	Y	Y					Y	Y		
		GPIO		Y	Y			Y						
		IPI		Y	Y	Y		Y			Y	Y		Y
		UART		Y	Y	Y		Y			Y	Y		Y
		USB						Y			Y	Y		
		SAI				Y								
		CAN						Y						
I2C					Y		Y			Y	Y			

Table continues on the next page...

Table 3. Key features (continued)

Feature		i.MX 6ULL 14x14 EVK	i.MX 8M Mini EVK	i.MX 8M Plus EVK	LS10 28A RDB	LS10 21A TSN	LS10 21A IOT	LS10 21A TWR	LS10 12A RDB	LS10 43A RDB	LS10 46A RDB	LS10 46A FRW Y	LX21 60A RDB	
	QSPI										Y			
	IFC										Y			
	Linux (communication with BareMetal)	ICC	Y	Y	Y		Y			Y	Y		Y	
		IPI	Y	Y	Y		Y			Y	Y		Y	
	Jailhouse			Y	Y					Y	Y			
Real Time Networking	TSN Standards	Qbv		Y	Y									
		Qbu		Y	Y									
		Qci		N/A	Y									
		Qav		Y	Y									
		802.1AS	Y	Y	Y	Y	Y	Y		Y	Y	Y	Y	
		802.1CB		N/A	Y									
		VCAP chain mode		N/A	Y									
		802.1 Q-in-Q			Y									
	TSN Configurations	Linux tc command		Y	Y									
		TSN tool		Y	Y									
		NETCO NF/YANG	Qbv		Y	Y								
			Qbu		Y	Y								
			Qci		N/A	Y								
			IP		Y	Y								
			MAC		Y	Y								
			VLAN config		Y	Y								
		Web based configuration	Qbv		Y	Y								
			Qbu		Y	Y								
			Qci		N/A	Y								
Dynamic topology discovery		Y	Y											
IEEE 1588/802.1AS	Y	Y	Y	Y	Y	Y	Y		Y	Y	Y	Y		

Table continues on the next page...

Table 3. Key features (continued)

Feature			i.MX 6ULL 14x14 EVK	i.MX 8M Mini EVK	i.MX 8M Plus EVK	LS10 28A RDB	LS10 21A TSN	LS10 21A IOT	LS10 21A TWR	LS10 12A RDB	LS10 43A RDB	LS10 46A RDB	LS10 46A FRW Y	LX21 60A RDB	
Industrial Protocol	EtherCAT master	IGH EtherCAT master stack	Y	Y	Y	Y	Y	Y	Y	Y	Y	Y	Y	Y	
		Native EtherCAT-capable network driver module		Y											
		FlexCAN				Y		Y							
		CANopen						Y							
	OPC-UA	open62541	Y	Y	Y	Y	Y	Y	Y	Y	Y	Y	Y	Y	
	BEE (Mikro click board)					Y									
	BLE (Mikro click board)					Y									
	NFC (Mikro click board)					Y									
	Modbus	Modbus slave and master		Y	Y	Y	Y	Y	Y	Y	Y	Y	Y	Y	Y
		Modbus-RTU		Y	Y	Y	Y	Y	Y	Y	Y	Y	Y	Y	Y
Modbus-TCP		Y	Y	Y	Y	Y	Y	Y	Y	Y	Y	Y	Y		
Modbus-ASCII		Y	Y	Y	Y	Y	Y	Y	Y	Y	Y	Y	Y		

2.3 Open, fixed, and closed issues

This section contains three tables: Open, Fixed, and Closed issues.

- Open issues do not currently have a resolution. Workaround suggestions are provided where possible.
- Fixed issues have a software fix that has been integrated into the 'Fixed In' Release.
- Closed issues are issues where the root cause and fix are outside the scope of Real-time Edge Software. Disposition is to provide the explanation.

Table 4. Open issues in Real-time Edge software v2.0

ID	Description	Opened In	Workarounds
INDLINUX-2184	ICC: when icc benchmark is performed, U-Boot baremetal app can block if too much memory is used	Real-time Edge software v2.0	
INDLINUX-2207	PREEMPT_RT: Futex latency benchmark is not supported	Real-time Edge software v2.0	

Table continues on the next page...

Table 4. Open issues in Real-time Edge software v2.0 (continued)

ID	Description	Opened In	Workarounds
INDLINUX-2208	ptp4l: tx timestamp polling timed out after Qbv gate closed more than ~5s on LS1028A	Real-time Edge software v2.0	Keep the queue transferring 1588 packets open
INDLINUX-2179	Qbv stops with large PHC time adjustment	Real-time Edge software v2.0	Please make the clock synchronization before running any TSN protocols
INDLINUX-2209	ICC: data transfer performance on i.MX 8M Plus is not optimized	Real-time Edge software v2.0	

Table 5. Fixed Issues in Real-time Edge Software v2.0

ID	Description	Opened In	Fixed In
None for this release.			

Table 6. Closed Issues in Real-time Edge Software v2.0

ID	Description	Opened In	Disposition
None for this release.			

Chapter 3

Real-time System

Real-time Edge software supports real-time system features: Preempt-RT Linux, BareMetal, and Jailhouse.

3.1 Preempt-RT Linux

The Preempt-RT Linux option turns the kernel into a real-time kernel. It does so by replacing various locking primitives (such as spinlocks, rwlocks, and so on) with preemptible priority-inheritance aware variants. The Preempt-RT Linux option also enforces interrupt threading and introduces mechanisms to break up long non-preemptible sections. This makes the kernel fully preemptible and brings most execution contexts under scheduler control. However, very low level and critical code paths (entry code, scheduler, low level interrupt handling) remain non-preemptible.

3.1.1 System Real-time Latency tests

The basic measurement tool for Real-time Linux is `cyclictst`.

3.1.1.1 Running Cyclictst

Cyclictst provides statistics about the system's latencies. It accurately and repeatedly measures the difference between the intended wake-up time of a thread and the time at which it actually wakes up. It can measure latencies in real-time systems caused by the hardware, the firmware, and the operating system.

The original test was written by Thomas Gleixner (tgx), but several people have subsequently contributed modifications. Cyclictst is currently maintained by Clark Williams and John Kacur and is part of the test suite [rt-tests](#).

cyclictst:

- Use the below command to perform Latency Test:

```
$ cyclictst -p90 -h50 -D30m
```

NOTE

For detailed parameters of Cyclictst, refer to [Cyclictst Web Page](#).

3.1.2 Real-time application development

This section describes the steps for developing the Real-time application.

Real-time Application: API, Basic Structure, Background:

- Basic Linux application rules are the same; Use the POSIX API.
- There is still a division of Kernel Space and User Space.
- Linux applications run in User Space.
- For details, refer to: http://rt.wiki.kernel.org/index.php/RT_PREEMPT_HOWTO

Real-time Application: Users can build it using the steps below:

- **Using the cross compiler example:**

```
$ arm-linux-gnueabi-gcc <filename>.c -o <filename>.out -lrt -Wall
```

- **Using the native compiler on a target example:**

```
$ gcc <filename>.c -o <filename>.out -lrt -Wall
```

Scheduling policies have two classes:

Completely Fair Scheduling (CFS)

- SCHED_NORMAL
- SCHED_BATCH
- SCHED_IDLE

Real-time policies:

- SCHED_FIFO
- SCHED_RR
- SCHED_DEADLINE

3.2 BareMetal

3.2.1 Overview

The following sections provide an overview of the Real-time Edge BareMetal framework including:

- Features supported
- Getting started with BareMetal framework using the supported platforms:
 - NXP Layerscape platforms
 - i.MX 8M platforms.

It also describes how to run a sample BareMetal framework on the host environment and develop customer-specific applications based on BareMetal framework.

3.2.1.1 BareMetal framework

The BareMetal framework targets to support the scenarios that need low latency, real-time response, and high-performance. There is no OS running on the cores and customer-specific application runs on that directly. The figure below depicts the BareMetal framework architecture.

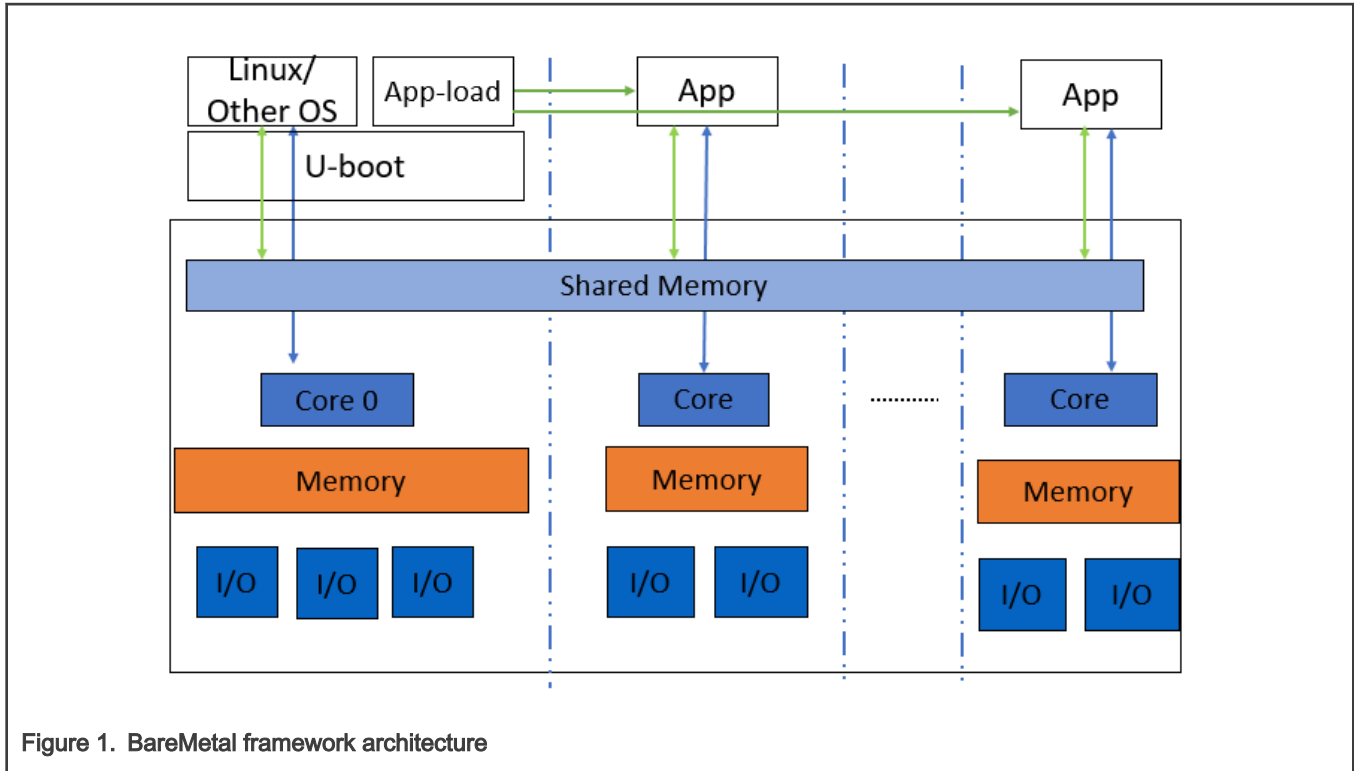
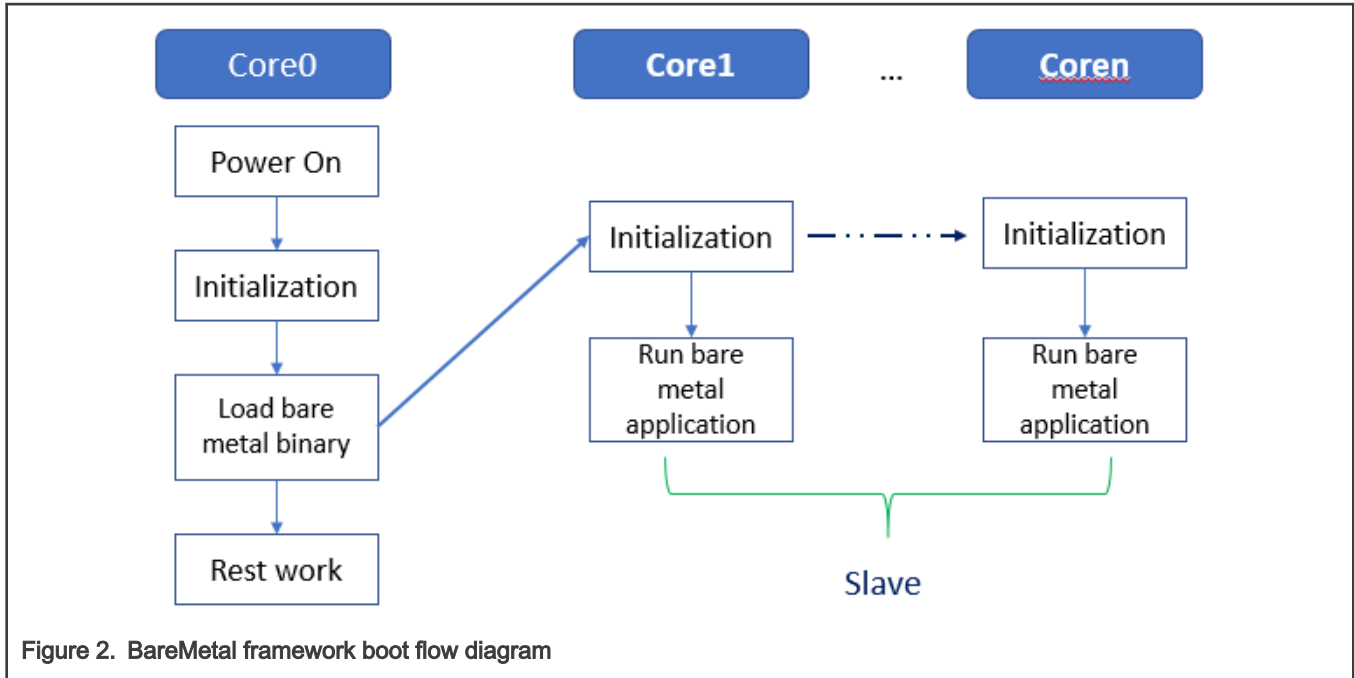


Figure 1. BareMetal framework architecture

The main features of the BareMetal framework are as follows:

- Core0 runs as master, which runs the operating system such as Linux, Vxworks.
- Slave cores run on the BareMetal application.
- Easy assignment of different IP blocks to different cores.
- Interrupts between different cores and high-performance mechanism for data transfer.
- Different UART for core0 and slave cores for easy debug.
- Communication via shared memory.

The master core0 runs the U-Boot, it then loads the BareMetal application to the slave cores and starts the BareMetal application. The following figure depicts the boot flow diagram:



3.2.1.2 Supported platforms

The table below lists the industrial IoT features supported by various NXP processors and boards.

Table 7. Industrial IoT features supported by NXP processors

Processor	Board	Main features supported
i.MX 8M Mini	i.MX 8M Mini EVK	UART, IPI, data transfer, Ethernet, GPIO
i.MX 8M Plus	i.MX 8M Plus EVK	UART, IPI, data transfer, Ethernet, GPIO
LS1028A	LS1028ARDB	I2C, UART, ENETC, IPI, data transfer, SAI
LS1043A	LS1043ARDB	IRQ, IPI, data transfer, Ethernet, IFC, I2C, UART, FMan, USB, PCIe
LS1046A	LS1046ARDB	IRQ, IPI, data transfer, Ethernet, IFC, I2C, UART, FMan, QSPI, USB, PCIe
LS1021A	LS1021A-IoT	GPIO, IRQ, IPI, data transfer, IFC, I2C, UART, QSPI, USB, PCIe, FlexCAN
LX2160A/Rev2	LX2160ARDB	UART, IPI, data transfer

3.2.2 Getting started

This section describes how to set up the environment and run the BareMetal examples on slave cores (assuming that the core0 is the master core and the other cores are the slave cores).

3.2.2.1 Hardware and software requirements

The following are required for running BareMetal framework scenarios:

- Hardware: LS1021A-IoT, LS1043ARDB, LS1046ARDB, LS1028ARDB, i.MX 8M Mini EVK, i.MX 8M Plus EVK, or other Layerscape boards and serial cables.
- Software: OpenIL v1.4 release or later.

3.2.2.2 Hardware setup

This section describes the hardware setup required for the NXP boards for running the BareMetal framework examples.

3.2.2.2.1 i.MX 8M Mini EVK and i.MX 8M Plus EVK board

1. i.MX 8M Plus EVK

There is one USB MicroB Debug port on board. Four UART ports can be found when the MicroB cable connects to PC. These are listed below.

```
/dev/ttyUSB0
/dev/ttyUSB1
/dev/ttyUSB2
/dev/ttyUSB3
```

The port /dev/ttyUSB2 is used for core0 (master core), /dev/ttyUSB3 is used for core1, core2, and core3 (slave core).

2. i.MX 8M Mini EVK

There is one USB MicroB Debug port on board, four UART ports can be found when the MicroB cable connects to PC.

```
/dev/ttyUSB0
/dev/ttyUSB1
```

/dev/ttyUSB1 is used for core0 (master core), /dev/ttyUSB0 is used for core1, core2 and core3 (slave core).

3. GPIO setup

For i.MX 8M Mini EVK or i.MX 8M Plus EVK gpio test, pin7 and pin8 of J1003 should be connected directly.

3.2.2.2.2 LS1028ARDB, LX2160ARDB, LS1043ARDB, or LS1046ARDB

In case, either the LS1028ARDB, LX2160ARDB, LS1043ARDB, or LS1046ARDB hardware boards are used for developing the Real-time Edge BareMetal framework, two serial cables are needed. One is used for core0, which connects to UART1 port, and the other one is used for slave cores, which connects to the UART2 port.

To support SAI feature on LS1028ARDB, set switch SW5_8 to "ON".

3.2.2.2.3 LS1021A-IoT board

Two serial cables are needed. One is used for core0, which connects to USB0/K22 port for UART0. The other cable is used for slave cores to connect J8 and J17 together for UART1. The table below describes the pins for UART1.

Table 8. UART pins

Pin name	Function
J8 pin7	Ground
J17 pin1	Uart1_SIN
J17 pin2	Uart1_SOUT

The figure below depicts the UART1 hardware connections.

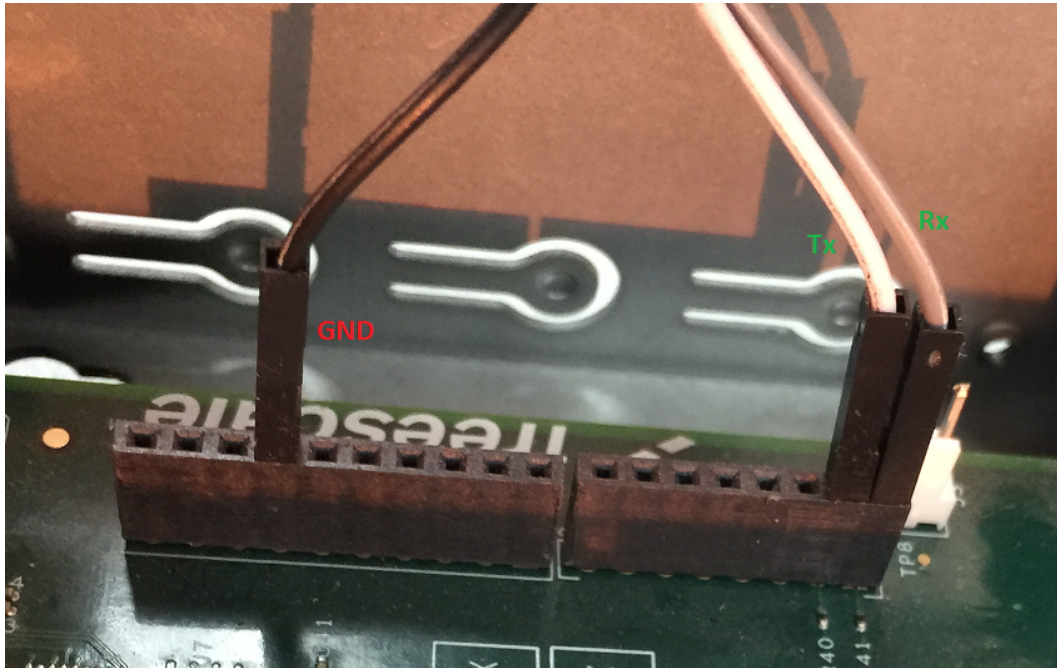


Figure 3. UART1 hardware connection

In order to test GPIO, connect the two pins, GPIO24 and GPIO25 together, which are through J502.3 and J502.5.

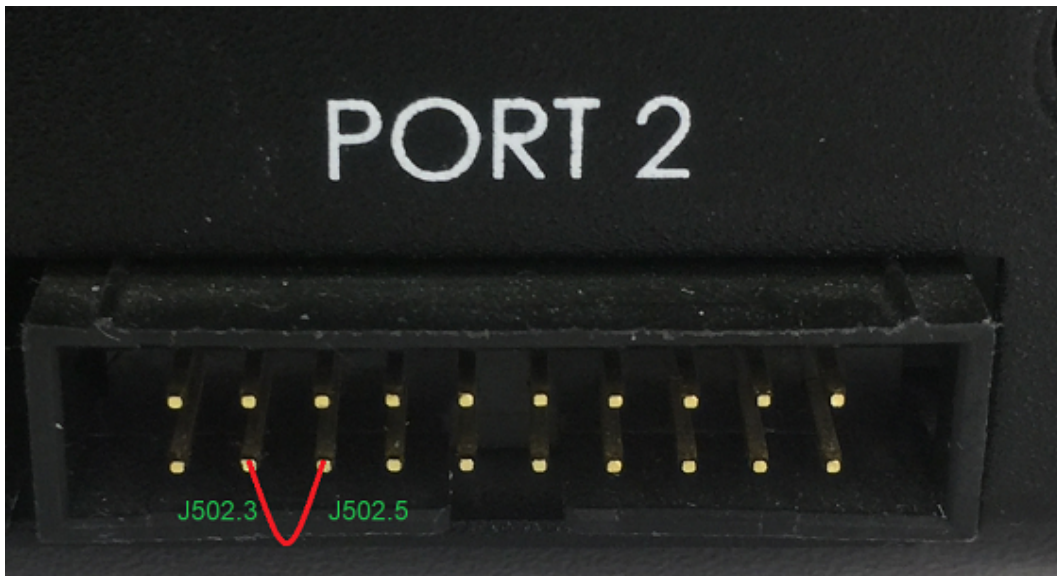


Figure 4. GPIO24 and GPIO25 connection on LS1021A-IoT

3.2.2.3 Building the BareMetal images from U-Boot source code

There are two methods to build the BareMetal images. One method is to compile the images in a standalone way, which is described in this section. Another method is to build the BareMetal images using Real-time Edge framework, which is described in section "Building the image through Yocto" of Real-time Edge Yocto Project User's Guide.

3.2.2.3.1 Building BareMetal binary for slave cores

Perform the steps mentioned below:

1. Download the project source from the following path:
<https://github.com/real-time-edge-sw/real-time-edge-uboot.git>
2. Check it out to the tag:
 - Real-Time-Edge-v2.0-baremetal-202107
3. Configure cross-toolchain on your host environment.
4. Then, run the following commands:

```
/* build BareMetal image for LS1021A-IoT board */
$make ls1021aiot_bm_defconfig
$make
/* build BareMetal image for LS1028ARDB board */
$make ls1028ardb_bm_defconfig
$make
/* build BareMetal image with SAI for LS1028ARDB board*/
$make ls1028ardb_bm_sai_defconfig
$make
/* build BareMetal image for LS1043ARDB board */
$make ls1043ardb_bm_defconfig
$make
/* build BareMetal image for LS1046ARDB board * /
$make ls1046ardb_bm_defconfig
$make
/* build BareMetal image for LX2160ARDB board * /
$make lx2160ardb_bm_defconfig
$make
/* build BareMetal image for i.MX 8M Mini EVK board * /
$make imx8mm_evk_bm_defconfig /* RevC */
$make
/* build BareMetal image for i.MX 8M Plus EVK board * /
$make imx8mp_evk_bm_defconfig
$make
```

5. Finally, the file `u-boot.bin` (or `u-boot-dtb.bin`, only for `lx2160ardb`) used for BareMetal is generated. Copy it to the *ftp* server directory.

3.2.2.4 Building the image through Yocto

There are two methods to build the BareMetal images. One method is to compile the images in a standalone way which is described in [Building the BareMetal images from U-Boot source code](#). The second method is to build the BareMetal images using Real-time Edge software framework, which is described in this section.

The Real-time Edge software is designed for embedded industrial usage. It is an integrated Linux distribution for industry. With the current version, the BareMetal can be built and implemented conveniently.

3.2.2.4.1 Getting Real-time Edge software

The latest release is available at the following URL:

<https://github.com/real-time-edge-sw/yocto-real-time-edge.git>

Follow Chapter 3 of "Real-time Edge Yocto Project User Guide" to get the code and build the image.

3.2.2.4.2 Building the BareMetal images

This section describes the steps for building the BareMetal images for various boards such as LS1021A-IoT, LS1043ARDB, LS1046ARDB, LX2160ARDB, i.MX 8M Plus EVK and i.MX 8M Mini EVK.

3.2.2.4.2.1 Building the BareMetal images

Run the following commands to build the final BareMetal image for Layerscape and i.MX platforms.

```
$ cd yocto-real-time-edge
```

For LS1021A-IOT BareMetal image:

```
$ DISTRO=nxp-real-time-edge-baremetal MACHINE=ls1021aiot source real-time-edge-setup-env.sh -b build-  
ls1021aiot-bm
```

For LS1028ARDB BareMetal image:

```
$ DISTRO=nxp-real-time-edge-baremetal MACHINE=ls1028ardb source real-time-edge-setup-env.sh -b build-  
ls1028ardb-bm
```

For LS1043ARDB BareMetal image:

```
$ DISTRO=nxp-real-time-edge-baremetal MACHINE=ls1043ardb source real-time-edge-setup-env.sh -b build-  
ls1043ardb-bm
```

For LS1046ARDB BareMetal image:

```
$ DISTRO=nxp-real-time-edge-baremetal MACHINE=ls1046ardb source real-time-edge-setup-env.sh -b build-  
ls1046ardb-bm
```

For LX2160ARDB BareMetal image:

```
$ DISTRO=nxp-real-time-edge-baremetal MACHINE=lx2160ardb source real-time-edge-setup-env.sh -b build-  
lx2160ardb-bm
```

For i.MX 8M Plus EVK BareMetal image:

```
$ DISTRO=nxp-real-time-edge-baremetal MACHINE=imx8mpevk source real-time-edge-setup-env.sh -b build-  
imx8mpevk-bm
```

For i.MX 8M Mini EVK BareMetal image:

```
$ DISTRO=nxp-real-time-edge-baremetal MACHINE=imx8mmevk source real-time-edge-setup-env.sh -b build-  
ix8mmevk-bm
```

Then, use:

```
$ bitbake nxp-image-real-time-edge
```

3.2.2.4.3 Booting up the Linux with BareMetal

Use the following steps to bootup the Linux + BareMetal system with the images built from Real-time Edge software.

For platforms that can be booted up from the SD card, there are just two steps required to program the image into SD card.

1. Insert an SD card (at least 4 GB size) into any Linux host machine.
2. Find the image file in building directory (for example: ls1028ardb): tmp/deploy/images/ls1028ardb/nxp-image-real-time-edge-ls1028ardb.wic.bz2

- Then, run the following commands:

```
$ bzip2 -d nxp-image-real-time-edge-ls1028ardb.wic.bz2
$ sudo dd if=./nxp-image-real-time-edge-ls1028ardb.wic of=/dev/sdx
# or in some other host machine:
$ sudo dd if=./nxp-image-real-time-edge-ls1028ardb.wic of=/dev/mmcblkx
# find the right SD Card device name in your host machine and replace the "sdx" or "mmcblkx".
```

- Then, insert the SD card into the target board (for example ls1028ardb) and power on.

After the above mentioned steps are complete, the Linux system is booted up on the master core (core 0), and the BareMetal system is booted up on slave core (core 1) automatically.

3.2.3 Running examples

The following sections describe how to run the BareMetal examples on the host environment for LS1021A-IoT board. Similar steps can be followed for LS1028ARDB, LS1043ARDB, LS1046ARDB, i.MX 8M Mini EVK, and i.MX 8M Plus EVK board.

3.2.3.1 Preparing the console

Prepare a USB to TTL serial line, connect the pins to LPUART of Arduino pins to use it as UART1, refer to [Hardware setup](#).

In order to change LPUART to UART pins, modify 44th byte of RCW to 0x00.

In current BareMetal framework design, two UART ports are used as console. UART1 is used for master core and UART2 is used for slave cores.

- For LS1021A, UART2 is pin-muxed with LPUART, so users should change the RCW to enable UART2 on master core. This modification has been implemented in the code for LS1021A-IoT board, so users need not modify the code for this board.
- For customer-specific boards, apply the change to the RCW file:

```
bit[354~356] = 000
bit[366~368] = 111
```

3.2.3.2 Running the BareMetal binary

As described earlier, there are two methods to compile the BareMetal framework. One is a standalone method and the other method uses the Real-time Edge software. These are described in [Building the BareMetal images from U-Boot source code](#) and [Building the image through Yocto](#) respectively. If you are using Real-time Edge software to compile the BareMetal image, the BareMetal image is included in the *nxp-image-real-time-edge-xxxx.wic.bz2* and the master core start the BareMetal image on slave cores automatically. If using the standalone compilation method, you should perform the steps below to run the BareMetal binary from U-Boot prompt of master core. Taking Layerscape platform as example:

- After starting U-Boot on the master, download the bare metal image: *u-boot.bin* on 0x84000000 using the command below:

```
=> tftp 0x84000000 xxxx/u-boot.bin
```

Where

- xxxx* is your tftp server directory.
- 0x84000000 is the address of `CONFIG_SYS_TEXT_BASE` on bare metal for Layerscape platforms.

Note: The address is 0x50200000 for i.MX 8M Plus EVK and i.MX 8M Mini EVK boards.

- Then, start the BareMetal cores using the command below:

```
=> cpu start 0x84000000
```

- Last, the UART1 port displays the logs, and the bare metal application runs on slave cores successfully.

The figure below displays a sample output log.

```

U-Boot 2017.07-21736-g7fb4afc-dirty (Mar 15 2018 - 15:50:12 +0800)

CPU:   Freescale LayerScape LS1021E, Version: 2.0, (0x87081120)
Clock Configuration:
      CPU0 (ARMV7):1000 MHz,
      Bus:300 MHz, DDR:800 MHz (1600 MT/s data rate),
Reset Configuration Word (RCW):
      00000000: 0608000a 00000000 00000000 00000000
      00000010: 20000000 08407900 60025a00 21046000
      00000020: 00000000 00000000 00000000 00038000
      00000030: 20024800 841b1340 00000000 00000000
I2C:   ready
DRAM:  256 MiB
EEPROM: NXID v16777216
In:    serial
Out:   serial
Err:   serial
Core[1] in the loop...
i2c read: 0xa0
[ok]i2c test ok
IRQ 0 has been registered as SGI
IRQ 195 has been registered as HW IRQ
SGI signal: Core[1] ack irq : 0
[ok]GPIO test ok
=>
    
```

Figure 5. BareMetal output logs

3.2.4 Development based on BareMetal framework

This chapter describes how to develop customer-specific application based on BareMetal framework.

3.2.4.1 Developing the BareMetal application

The directory “app” in the U-boot repository includes the test cases for testing the I2C, GPIO and IRQ init features. You can write actual applications and store them in this directory.

3.2.4.2 Example software

This section describes how to analyze a GPIO sample code and use it to write the actual application.

3.2.4.2.1 Main file app.c

The file <industry-Uboot path>/app/app.c, is the main entrance for all applications. Users can modify the app.c file to add their applications.

- If using standalone method to build the BareMetal image as described in [Building the BareMetal images from U-Boot source code](#), just change the directory to industry-Uboot path to check the app.c file.
- If using Real-time Edge software to compile the BareMetal binary, you should change to the building directory to check the app.c file.

The following is a sample code of the file app.c that shows how to add the example test cases of I2C, IRQ, and GPIO.

```

void core1_main(void)
{
    test_i2c();
    test_irq_init();
    test_gpio();
}
    
```

```

return;
}

```

3.2.4.2.2 Common header files

There are some common APIs provided by BareMetal. The table below describes the header files that include the APIs.

Table 9. Common header file description

Header file	Description
asm/io.h	Read/Write IO APIs. For example, <code>__raw_readb</code> , <code>__raw_writeb</code> , <code>out_be32</code> , and <code>in_be32</code> .
linux/string.h	APIs for manipulating strings. For example, <code>strlen</code> , <code>strcpy</code> , and <code>strcmp</code> .
linux/delay.h	APIs used for small pauses. For example, <code>udelay</code> and <code>mdelay</code> .
linux/types.h	APIs specifying common types. For example, <code>__u32</code> and <code>__u64</code> .
common.h	Common APIs. For example, <code>printf</code> and <code>puts</code> .

3.2.4.2.3 GPIO file

The file `uboot/app/test_gpio.c` is one example to test the GPIO feature, and shows how to write a GPIO application.

Here is an example for the ls1021aiot board:

On ls1021aiot board, first you need the GPIO header file, `asm-generic/gpio.h`, which includes all interfaces for the GPIO. Then, configure GPIO25 to OUT direction, and configure GPIO24 to IN direction. Last, by writing the value 1 or 0 to GPIO25, you can receive the same value from GPIO24.

The table below shows the APIs used in the file `test_gpio.c` example.

Table 10. GPIO APIs and their description

Function declaration	Description
<code>gpio_request (ngpio, label)</code>	Requests GPIO. <ul style="list-style-type: none"> <code>ngpio</code> - The GPIO number, such as 25, that is for GPIO25. <code>label</code> - the name of GPIOI request. Returns 0 if OK, -1 on Error.
<code>gpio_direction_output (ngpio, value)</code>	Configures the direction of GPIO to OUT and writes the value to it. <ul style="list-style-type: none"> <code>ngpio</code> - The GPIO number, such as 25, that is, for GPIO25. <code>value</code> - the value written to this GPIO. Returns 0 if Low, 1 if High, -1 on Error.

Table continues on the next page...

Table 10. GPIO APIs and their description (continued)

Function declaration	Description
<code>gpio_direction_input (ngpio);</code>	Configures the direction of GPIO to IN. <code>ngpio</code> - The GPIO number, such as 24, that is for GPIO24; Returns 0 if OK, -1 on Error.
<code>gpio_get_value (ngpio)</code>	Reads the value. • <code>ngpio</code> - The GPIO number, such as 24, that is for GPIO24; Returns 0 if Low, 1 if High, -1 on Error.
<code>gpio_free (ngpio)</code>	Frees the GPIO just requested. • <code>ngpio</code> - The GPIO number, such as 24, that is for GPIO24; Returns 0 if OK, -1 on error.

3.2.4.2.4 I2C file

The file `uboot/app/test_i2c.c` can be used as an example to test the I2C feature and shows how to write an I2C application.

On `Is1021aiot` board, include the I2C header file, `i2c.h`, which contains all interfaces for I2C. Then, read a fixed data from offset 0 of Audio codec device (0x2A). If the data is 0xa0, the message, `[ok]I2C test ok`, is displayed on the console.

On `Is1043ardb` board, read a fixed data from offset 0 of INA220 device(0x40). If the data is 0x39, a message, `[ok]I2C test ok` is displayed on the console.

The table below shows the APIs used in the sample file, `test_i2c.c`.

Table 11. I2C APIs and their description

Function declaration	Description
<code>int i2c_set_bus_num (unsigned int bus)</code>	Sets the I2C bus. <code>bus</code> - bus index, zero based Returns 0 if OK, -1 on error.
<code>int i2c_read (uint8_t chip, unsigned int addr, int alen, uint8_t *buffer, int len)</code>	Read data from I2C device chip. • <code>chip</code> - I2C chip address, range 0..127 • <code>addr</code> - Memory (register) address within the chip • <code>alen</code> - Number of bytes to use for address (typically 1, 2 for larger memories, 0 for register type devices with only one register) • <code>buffer</code> - Where to read/write the data • <code>len</code> - How many bytes to read/write Returns 0 if OK, not 0 on error.
<code>int i2c_write (uint8_t chip, unsigned int addr, int alen, uint8_t *buffer, int len)</code>	Writes data to I2C device chip. • <code>chip</code> - I2C chip address, range 0..127 • <code>addr</code> - Memory (register) address within the chip

Table continues on the next page...

Table 11. I2C APIs and their description (continued)

Function declaration	Description
	<ul style="list-style-type: none"> • <code>alen</code> - Number of bytes to use for address (typically 1, 2 for larger memories, 0 for register type devices with only one register) • <code>buffer</code> - Where to read/write the data • <code>len</code> - How many bytes to read/write Returns 0 if OK, not 0 on error.

3.2.4.2.5 IRQ file

The file, `uboot/app/test_irq_init.c` is an example to test the IRQ and IPI (Inter-Processor Interrupts) feature, and shows how to write an IRQ application. The process is described in brief below.

The file `asm/interrupt-gic.h`, is the header file of IRQ, and includes all its interfaces. Then, register an IRQ function for SGI 0. After setting an SGI signal, the CPU gets this IRQ and runs the IRQ function. Then, register a hardware interrupt function to show how to use the external hardware interrupt.

SGI IRQ is used for inter-processor interrupts, and it can only be used between bare metal cores. In case you want to communicate between BareMetal core and Linux core, refer to [ICC module](#). SGI IRQ id is 0-15. The SGI IRQ id '8' is reserved for ICC.

NOTE

For i.MX 8M Mini EVK and i.MX 8M Plus EVK board, SGI IRQ id is 9.

The table below shows the APIs used in the sample file, `test_irq_init.c`.

Table 12. IRQ APIs and their description

Return type API name (parameter list)	Description
<pre>void gic_irq_register (int irq_num, void (*irq_handle) (int))</pre>	Registers an IRQ function. <ul style="list-style-type: none"> • <code>irq_num</code>- IRQ id, 0-15 for SGI, 16-31 for PPI, 32-1019 for SPI • <code>irq_handle</code> – IRQ function
<pre>void gic_set_sgi (int core_mask, u32 hw_irq)</pre>	Sets a SGI IRQ signal. <ul style="list-style-type: none"> • <code>core_mask</code> – target core mask • <code>hw_irq</code> – IRQ id
<pre>void gic_set_target (u32 core_mask, unsigned long hw_irq)</pre>	Sets the target core for hw IRQ. <ul style="list-style-type: none"> • <code>core_mask</code> – target core mask • <code>hw_irq</code> – IRQ id
<pre>void gic_set_type (unsigned long hw_irq)</pre>	Sets the type for hardware IRQ to identify whether the corresponding interrupt is edge-triggered or level-sensitive. <ul style="list-style-type: none"> • <code>hw_irq</code> – IRQ id

3.2.4.2.6 QSPI file

The file `uboot/app/test_qspi.c` provides an example that can be used to test the QSPI feature. The below steps show how to write a QSPI application:

1. First, locate the QSPI header files `spi_flash.h` and `spi.h`, which include all interfaces for QSPI.
2. Then, initialize the QSPI flash. Subsequently, erase the corresponding flash area and confirm that the erase operation is successful.
3. Now, read or write to the flash with an offset of `0x3f00000` and size of `0x40000`.

The table below shows the APIs used in the file `test_qlsip.c` example.

Table 13. QSPI APIs

API name (type)	Description
<code>spi_find_bus_and_cs(bus, cs, &bus_dev, &new)</code>	<p>The API finds if a SPI device already exists.</p> <ul style="list-style-type: none"> • “bus” - bus index, zero based. • “cs” – the value to chip select mode. • “bus_dev” - If the bus is found. • “new” – If the device is found. <p>Returns 0 if OK, <code>-ENODEV</code> on error.</p>
<code>spi_flash_probe_bus_cs(bus, cs, speed, mode, &new)</code>	<p>Initializes the SPI flash device.</p> <ul style="list-style-type: none"> • “bus” - bus index, zero based. • “cs” – the value to Chip Select mode. • “speed” – SPI flash speed, can use 0 or <code>CONFIG_SF_DEFAULT_SPEED</code>. • “mode” –SPI flash mode, can use 0 or <code>CONFIG_SF_DEFAULT_MODE</code>. • “new” – If the device is initialized. <p>Returns 0 if OK, <code>-ENODEV</code> on error.</p>
<code>dev_get_uclass_priv(new)</code>	<p>Gets the SPI flash.</p> <ul style="list-style-type: none"> • “new” - The device being initialized. <p>Returns <code>flash</code> if OK, <code>NULL</code> on error.</p>
<code>spi_flash_erase(flash, offset, size)</code>	<p>Erases the specified location and length of the flash content, erases the content of all.</p> <ul style="list-style-type: none"> • “flash” - Flash is being initialized. • “offset” – Flash offset address. • “size” - Erase the length of the data. <p>Returns 0 if OK, <code>!0</code> on error.</p>
<code>spi_flash_read(flash, offset, len, vbuf)</code>	<p>Reads flash data to memory.</p> <ul style="list-style-type: none"> • “flash” - The flash being initialized. • “offset” – Flash offset address. • “len” - Read the length of the data. • “vbuf” - the buffer to store the data read <p>Returns 0 if OK, <code>!0</code> on error.</p>

Table continues on the next page...

Table 13. QSPI APIs (continued)

API name (type)	Description
spi_flash_write(flash, offset, len, buf)	<p>Writes memory data to flash.</p> <ul style="list-style-type: none"> • "flash" - The flash being initialized. • "offset" - Flash offset address. • "len" - Write the length of the data. • "buf" - the buffer to store the data write <p>Returns 0 if OK, !0 on error.</p>

3.2.4.2.7 IFC

Both LS1043ARDB and LS1046ARDB have IFC controller. However, LS1043ARDB supports both NOR flash and NAND flash, whereas LS1046ARDB supports only NAND flash.

NOR and NAND flash messages are displayed while booting BareMetal cores, as shown below:

```
1:NAND: 512 MiB
1:Flash: 128 MiB
```

or (LS1046ARDB)

```
1:NAND: 512 MiB
```

There is no example code to test it, but we can use a few commands to verify these features.

For LS1043ARDB NOR Flash (the map memory address is 0x60000000), below command can be used to verify it:

```
=> md 0x60000000
1:60000000: 55aa55aa 0001ee01 10001008 0000000a .U.U.....
1:60000010: 00000000 00000000 02005514 12400080 .....U....@.
1:60000020: 005002e0 002000c1 00000000 00000000 ..P... ..
1:60000030: 00000000 00880300 00000000 01110000 .....
1:60000040: 96000000 01000000 78015709 10e00000 .....W.x...
1:60000050: 00001809 08000000 18045709 9e000000 .....W.....
1:60000060: 1c045709 9e000000 20045709 9e000000 .W.....W. ....
1:60000070: 00065709 00000000 04065709 00001060 .W.....W..`...
1:60000080: c000ee09 00440000 58015709 00220000 .....D..W.X..".
1:60000090: 40800089 01000000 40006108 f56b710a ...@.....a.@.qk.
1:600000a0: ffffffff ffffffff ffffffff ffffffff .....
```

For NAND flash on LS1043ARDB and LS1046ARDB, "nand" command can be used to verify it (nand erase, nand read, nand write, and so on.):

```
=> nand info

1:Device 0: nand0, sector size 128 KiB
1: Page size      2048 b
1: OOB size       64 b
1: Erase size     131072 b
1: subpagesize    2048 b
```

```
1: options      0x00004200
1: bbt options  0x00028000
```

```
=> nand
```

```
1:nand - NAND sub-system
```

```
1:Usage:
```

```
nand info - show available NAND devices
nand device [dev] - show or set current device
nand read - addr off|partition size
nand write - addr off|partition size
             read/write 'size' bytes starting at offset 'off'
             to/from memory address 'addr', skipping bad blocks.
nand read.raw - addr off|partition [count]
nand write.raw[.noverify] - addr off|partition [count]
             Use read.raw/write.raw to avoid ECC and access the flash as-is.
nand erase[.spread] [clean] off size - erase 'size' bytes from offset 'off'
             With '.spread', erase enough for given file size, otherwise,
             'size' includes skipped bad blocks.
nand erase.part [clean] partition - erase entire mtd partition'
nand erase.chip [clean] - erase entire chip'
nand bad - show bad blocks
nand dump[.oob] off - dump page
nand scrub [-y] off size | scrub.part partition | scrub.chip
             really clean NAND erasing bad blocks (UNSAFE)
nand markbad off [...] - mark bad block(s) at offset (UNSAFE)
nand biterr off - make a bit error at offset
```

3.2.4.2.8 Ethernet

The file `uboot/app/test_net.c` provides an example to test the Ethernet feature and shows how to write a net application for using this feature.

Here is an example for the LS1043ARDB (or LS1046ARDB) board.

1. Connect one Ethernet port of LS1043ARDB board to one host machine using Ethernet cable.
 - (For LS1046ARDB, the default `ethact` is `FM1@DTSEC5`. Network cable should be connected to SGMII1 port.
 - For LS1043ARDB, the default `ethact` is `FM1@DTSEC3`. Network cable should be connected to RGMII1 port.
2. Configure the IP address of the host machine as 192.168.1.2.
3. Power up the LS1043ARDB board. If the network is connected, the message `host 192.168.1.2 is alive` is displayed on the console.
4. The IP addresses of the board and host machine are defined in the file `test_net.c`. In this file, modify the IP address of LS1043ARDB board using variable `ipaddr` and change the IP address of host machine using variable `ping_ip`.

The table below lists the Net APIs and their description.

Table 14. Net APIs and their description

API name (type)	Description
<code>void net_init (void)</code>	Initializes the network
<code>int net_loop (enum proto_t protocol)</code>	Main network processing loop. <ul style="list-style-type: none"> • <code>enum proto_t protocol</code> - protocol type

Table continues on the next page...

Table 14. Net APIs and their description (continued)

API name (type)	Description
<pre>int eth_receive (void *packet, int length)</pre>	<p>Reads data from NIC device chip.</p> <ul style="list-style-type: none"> • void *packet • length - Network packet length <p>Returns length</p>
<pre>int eth_send (void *packet, int length)</pre>	<p>Writes data to NIC device chip.</p> <ul style="list-style-type: none"> • packet - pointer to the packet is sent • length - Network packet length <p>Returns length.</p>

3.2.4.2.9 USB file

The file `uboot/app/test_usb.c` provides an example that can be used to test the USB features. The steps below show how to write a USB application:

1. Connect a USB disk to the USB port.
2. Include the header file, `usb.h`, which includes all APIs for USB.
3. Initialize the USB device using the `usb_init` API.
4. Scan the USB storage device on the USB bus using the `usb_stor_scan` API.
5. Get the device number using the `blk_get_devnum_by_type` API.
6. Read data from the USB disk using the `blk_dread` API.
7. Write data to the USB disk using the `blk_dwrite` API.

The table below shows the APIs used in the file `test_usb.c` example:

Table 15. USB APIs and their description

API name (type)	Description
<pre>int usb_init(void)</pre>	<p>Initializes the USB controller.</p>
<pre>int usb_stop(void)</pre>	<p>Stops the USB controller.</p>
<pre>int usb_stor_scan(int mode)</pre>	<p>Scans the USB and reports device information to the user if <code>mode = 1</code></p> <ul style="list-style-type: none"> • Mode – if mode = 1, the information is returned to user. <p>Returns</p> <ul style="list-style-type: none"> • the current device, or • -1 (if device not found).
<pre>struct blk_desc *blk_get_devnum_by_type(enum if_type if_type, int devnum)</pre>	<p>Get a block device by type and number.</p> <ul style="list-style-type: none"> • If_type – Block device type • devnum - device number <p>Returns</p>

Table continues on the next page...

Table 15. USB APIs and their description (continued)

	<ul style="list-style-type: none"> • Points to block device descriptor, or • NULL (if not found).
<pre>unsigned long blk_dread(struct blk_desc *block_dev, lbaint_t start, lbaint_t blkcnt, void *buffer);</pre>	<p>Reads data from USB device.</p> <ul style="list-style-type: none"> • <code>block_dev</code> – block device descriptor • <code>start</code> – start block • <code>blkcnt</code> – block number • <code>buffer</code> – buffer to store the data <p>Returns the block number from which, data is read.</p>
<pre>unsigned long blk_dwrite(struct blk_desc *block_dev, lbaint_t start, lbaint_t blkcnt, const void *buffer);</pre>	<p>Writes data to USB device.</p> <ul style="list-style-type: none"> • <code>block_dev</code> – block device descriptor • <code>start</code> – start block • <code>blkcnt</code> – block number • <code>buffer</code> – buffer to store the data <p>Returns the block number to which data is written.</p>

3.2.4.2.10 PCIe file

The file `app/test_pcie.c` provides a sample code to test PCIe and network card (such as e1000) features. The steps below show how to write a PCIe and net application:

1. Insert a PCIe network card (such as e1000) into PCIe2, or PCIe3 slot (if it exists).
2. Configure the IP address of the host machine to 192.168.1.2.
3. Include the files `include/pci.h` and `include/netdev.h`.
4. Initialize the PCIe controller using the `pci_init` API.
5. Get `uclass` device by its name using the `uclass_get_device_by_seq` API.
6. Initialize the PCIe network device using the `pci_eth_init` API.
7. Begin pinging the host machine using the `net_loop` API.

The table below shows the APIs used in the file `test_pcie.c` example.

Table 16. PCIe APIs and their description

API name (type)	Description
<code>void pci_init(void)</code>	Initializes the PCIe controller. Does not return a value.
<pre>int uclass_get_device_by_seq(enum uclass_id id, int seq, struct udevice **devp)</pre>	<p>Gets the <code>uclass</code> device based on an ID and sequence:</p> <ul style="list-style-type: none"> • <code>id</code> – <code>uclass</code> ID • <code>seq</code> – sequence • <code>devp</code> – Pointer to device <p>Returns:</p>

Table continues on the next page...

Table 16. PCIe APIs and their description (continued)

	<ul style="list-style-type: none"> • 0 if Ok. • Negative value on error.
<pre>static inline int pci_eth_init(bd_t *bis)</pre>	<p>Initializes network card on the PCIe bus.</p> <ul style="list-style-type: none"> • <code>Bis</code> – struct containing variables accessed by shared code <p>Returns the number of network cards.</p>
<pre>int net_loop (enum proto_t protocol)</pre>	<p>Main network processing loop.</p> <ul style="list-style-type: none"> • <code>enum proto_t protocol</code> - protocol type <p>Returns:</p> <ul style="list-style-type: none"> • 0 if Ok. • Negative value on error.

3.2.4.2.11 CAN file

The file `app/test_flexcan.c` provides a sample test case to test flexCAN and CANopen features. The following steps show the design process:

1. Register the receive interruption function for flexCAN.
2. Register an overflow interruption function for flextimer.
3. Initialize a list of callback functions.
4. Set the node ID of this node.

The table below shows the APIs used in the file `test_flexcan.c` example.

Table 17. CAN APIs and their description

API name (type)	Description
<code>void test_flexcan(void)</code>	It is the test code entry for flexCAN.
<code>void flexcan_rx_irq(struct can_module *canx)</code>	FlexCAN receive interruption function. <ul style="list-style-type: none"> • <code>canx</code> – flexCAN interface.
<code>void flexcan_receive(struct can_module *canx, struct can_frame *cf)</code>	FlexCAN receives CAN data frame. <ul style="list-style-type: none"> • <code>canx</code> – FlexCAN interface. • <code>cf</code> – CAN message.
<code>UNS8 setState(CO_Data* d, e_nodeState newState)</code>	Sets node state <ul style="list-style-type: none"> • <code>d</code> – object dictionary • <code>newState</code> – The state that requires to be set. <p>Returns:</p> <ul style="list-style-type: none"> • 0 if Ok, • > 0 on error.
<code>void canDispatch(CO_Data* d, Message *m)</code>	CANopen handles data frames that CAN receives:

Table continues on the next page...

Table 17. CAN APIs and their description (continued)

	<ul style="list-style-type: none"> • <code>d</code> – object dictionary. • <code>m</code> – Received CAN message.
<code>int flexcan_send(struct can_module *canx, struct can_frame *cf)</code>	FlexCAN interface sends CAN message: <ul style="list-style-type: none"> • <code>canx</code> – FlexCAN interface. • <code>cf</code> – CAN message.
<code>void flextimer_overflow_irq(void)</code>	Flextimer overflow interruption handler function.
<code>void timerForCan(void)</code>	CANopen virtual clock. Call this function per 100 μ s.

- The following log shows the CANopen slave node state:

```
=> flexcan error: 0x42242!
Note: slave node entry into the stop mode!
Note: slave node initialization is complete!
Note: slave node entry into the preOperation mode!
Note: slave node entry into the operation mode!
Note: slave node initialization is complete!
Note: slave node entry into the preOperation mode!
Note: slave node entry into the operation mode!
```

3.2.4.2.12 ENETC file

The file `app/test_net.c` provides an example to test ENETC Ethernet feature and shows how to write a net application for using this feature. This is a special case of using Net APIs.

The file `test_net` for ENETC is only an example for the LS1028ARDB board (`CONFIG_ENETC_COREID_SET` enabled).

1. Connect ENETC port of LS1028ARDB board to one host machine using Ethernet cable.
2. Configure the IP address of the host machine as `192.168.1.2`.
3. Power up the LS1028ARDB board. If the network is connected, the message `host 192.168.1.2 is alive` is displayed on the console.
4. The IP addresses of the board and host machines are defined in the file `test_net.c`. In this file, modify the IP address of LS1028ARDB board using variable `ipaddr` and change the IP address of host machine using variable `ping_ip`.

The table below lists the Net APIs for ENETC and their description, refer to [section 4.2.7](#) for other Net APIs.

Table 18. ENETC APIs and their description

API name (type)	Description
<code>void pci_init(void)</code>	Initializes the PCIe controller. Does not return a value.
<code>void eth_initialize(void)</code>	Initializes the Ethernet.

3.2.4.2.13 SAI file

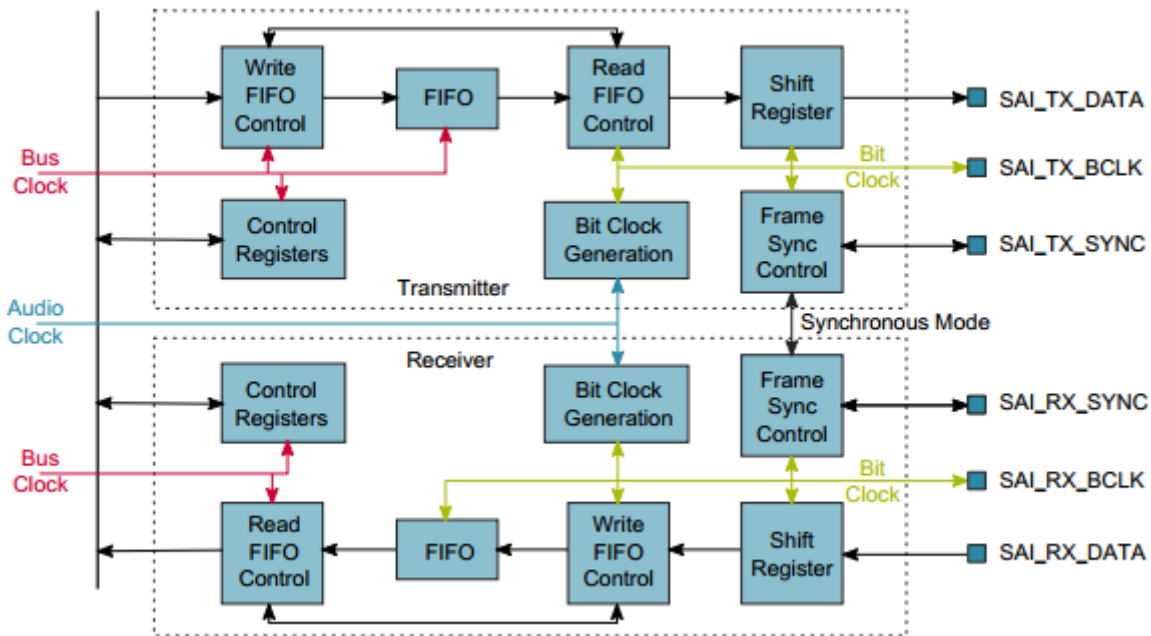
The audio feature needs SAI module and codec drivers. The following sections provide an introduction to SAI module, audio codec (SGTL5000), details of how to integrate audio with BareMetal and running an audio application on BareMetal.

3.2.4.2.13.1 Synchronous Audio Interface (SAI)

The LS1028A integrates six SAI modules, but only SAI4 is used by LS1028ARDB board. The synchronous audio interface (SAI) supports full duplex serial interfaces with frame synchronization. The bit clock and frame sync of SAI are both generated externally (SGTL5000).

- Transmitter with independent bit clock and frame sync supporting 1 data line
- Receiver with independent bit clock and frame sync supporting 1 data line
- Maximum Frame Size of 32 words
- Word size of between 8-bits and 32-bits
- Word size configured separately for first word and remaining words in frame
- Asynchronous 32 × 32-bit FIFO for each transmit and receive channel
- Supports graceful restart after FIFO error

Figure SAI block diagram



3.2.4.2.13.2 Audio codec (SGTL5000)

The SGTL5000 is a low power stereo codec with headphone amplifier from NXP. It is designed to provide a complete audio solution for products needing LINEIN, MIC_IN, LINEOUT, headphone-out, and digital I/O. It allows an 8.0 MHz to 27 MHz system clock as input. The codec supports 8.0 kHz, 11.025 kHz, 12 kHz, 16 kHz, 22.05 kHz, 24 kHz, 32 kHz, 44.1 kHz, 48 kHz, and 96 kHz sampling frequencies. The LS1028ARDB board provides a 25 MHz crystal oscillator to the SGTL5000.

The SGTL5000 provides two interfaces (I2C and SPI) to setup registers. The LS1028ARDB board uses I2C interface.

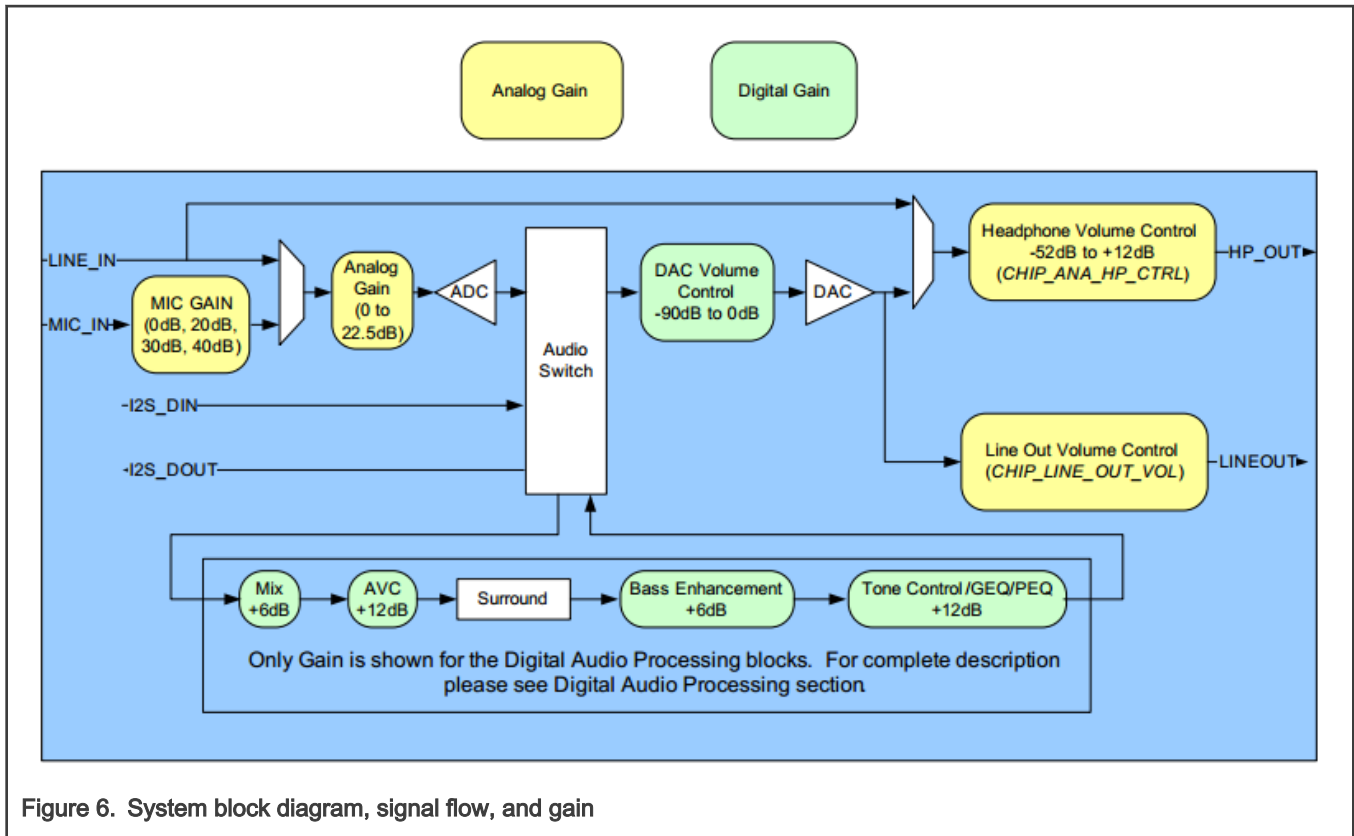


Figure 6. System block diagram, signal flow, and gain

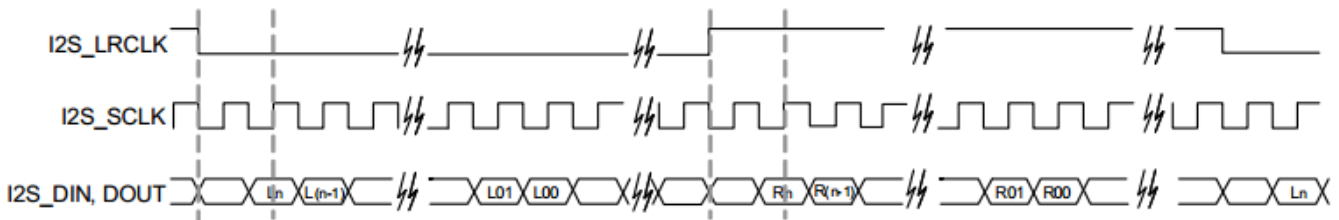
3.2.4.2.13.3 Digital interface formats

The SGT5000 provides five common digital interface formats. The SAI and SGT5000 digital interface formats must be the same.

- I2S Format (n = bit length)

CHIP_I2S0_CTRL field values:

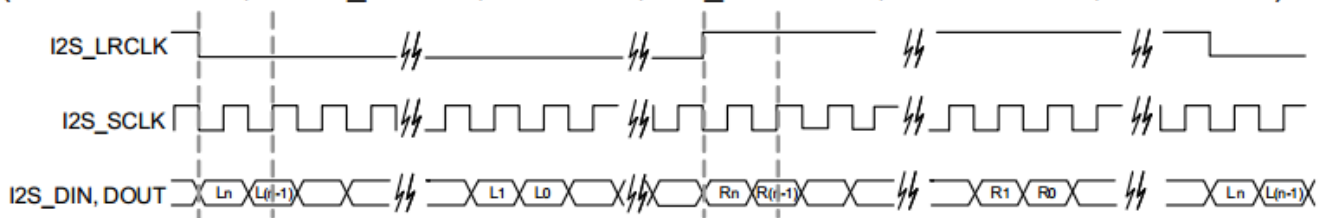
(SCLKFREQ = 0; SCLK_INV = 0; DLEN = 1; I2S_MODE = 0; LRALIGN = 0; LRPOL = 0)



- Left Justified Format (n = bit length)

CHIP_I2S0_CTRL field values:

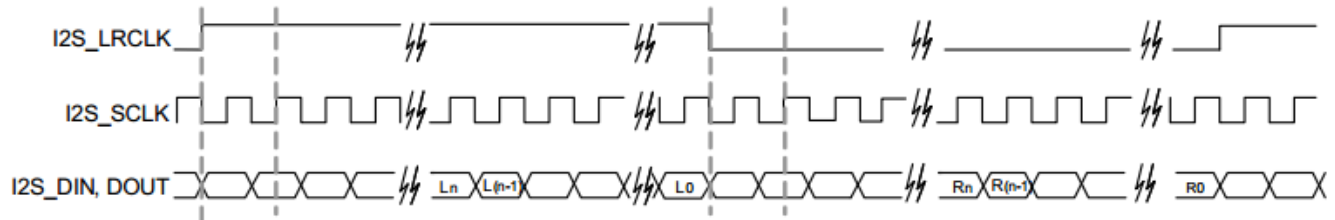
(SCLKFREQ = 0; SCLK_INV = 0; DLEN = 1; I2S_MODE = 0; LRALIGN = 1; LRPOL = 0)



• Right Justified Format (n = bit length)

CHIP_I2S0_CTRL field values:

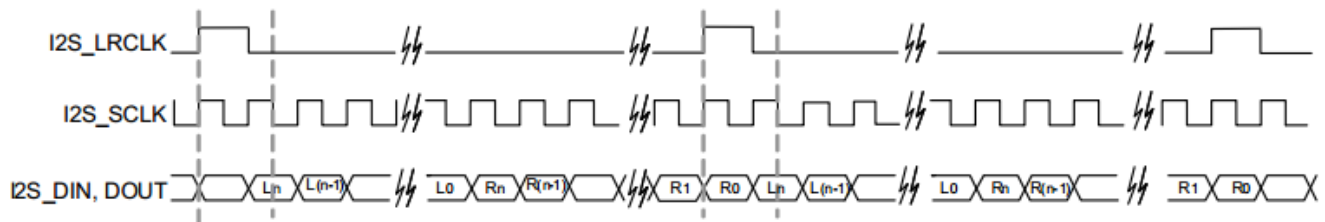
SCLKFREQ= 0; SCLK_INV = 0; DLEN = 1; I2S_MODE = 1; LRALIGN = 1; LRPOL = 0)



• PCM Format A

CHIP_I2S0_CTRL = 0x01F4

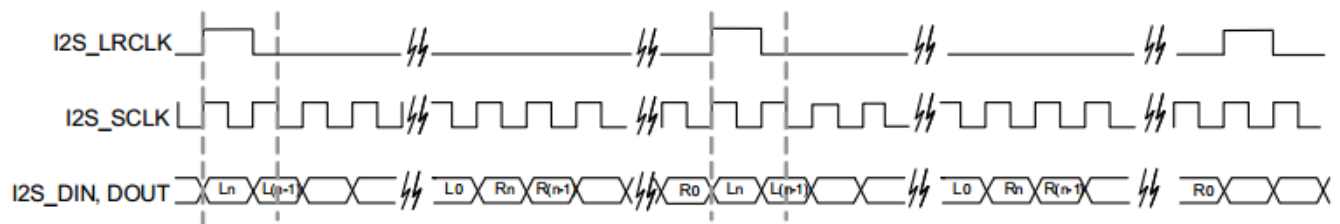
(SCLKFREQ= 1; MS = 1; SCLK_INV = 1; DLEN = 3; I2S_MODE = 2; LRALIGN = 0)



• PCM Format B

CHIP_I2S0_CTRL = 0x01F6

(SCLKFREQ= 1; MS = 1; SCLK_INV = 1; DLEN = 3; I2S_MODE = 2; LRALIGN = 1)



3.2.4.2.13.4 Running the SAI application

In order to run SAI application, BareMetal images should be rebuilt with SAI support.

1. Enable SAI support in Real-time Edge software

```
$ cd yocto-real-time-edge/sources/meta-real-time-edge
# Open file "conf/distro/include/real-time-edge-base.inc", add "sai" to
"DISTRO_FEATURES_append_ls1028ardb" like this:
DISTRO_FEATURES_append_ls1028ardb = " jailhouse real-time-edge-libbee real-time-edge-libblep libnfc-
nci \
    wayland-protocols weston imx-gpu-viv libdrm kmscube \
    real-time-edge-sysrepo tsn-scripts wayland sai"
```

2. Build the image

```
$ cd yocto-real-time-edge $ DISTRO=nxp-real-time-edge-baremetal MACHINE=ls1028ardb source real-time-edge-setup-env.sh -b build-ls1028ardb-bm $ bitbake nxp-image-real-time-edge
```

3. Play a demo audio file in slave core after booting the board:

```
=> wavplayer ***** audioformat: PCM
nchannels: 1 samplerate: 16000 bitrate: 256000 blockalign: 2 bps: 16 datasize: 67968
datastart: 44 ***** sgt15000 revision
0x11 fsl_sai_ofdata_to_platdata Probed sound 'sound' with codec 'codec@a' and i2s
'sai@f130000' i2s_transfer_tx_data The music waits for the end! The music is
finished! *****
```

3.2.4.3 ICC module

Inter-core communication (ICC) module works on Linux core (master) and BareMetal core (slave). It provides the data transfer between cores via SGI inter-core interrupt and shared memory blocks. It can support multi-core silicon platform and transfer the data concurrently and efficiently.

ICC module structure is based on two basics:

- SGI: Software-generated Interrupts in Arm GIC, used to generate inter-core interrupts. The ICC module uses the number 8 SGI interrupt for all Linux and BareMetal cores.
- Shared memory: A memory space shared by all platform cores. The base address and size of the share memory should be defined in header files before compilation.

ICC modules can work concurrently, lock-free among multi-core platform, and support broadcast case with Buffer Descriptor Ring mechanism.

The figure below shows the basic operating principle for data transfer from Core 0 to Core 1. After the data writing and head point moving to next, Core 0 triggers a SGI (8) to Core 1. After this step, the Core 1 gets the BD ring updated status and reads the new data, then moves the tail point to next.

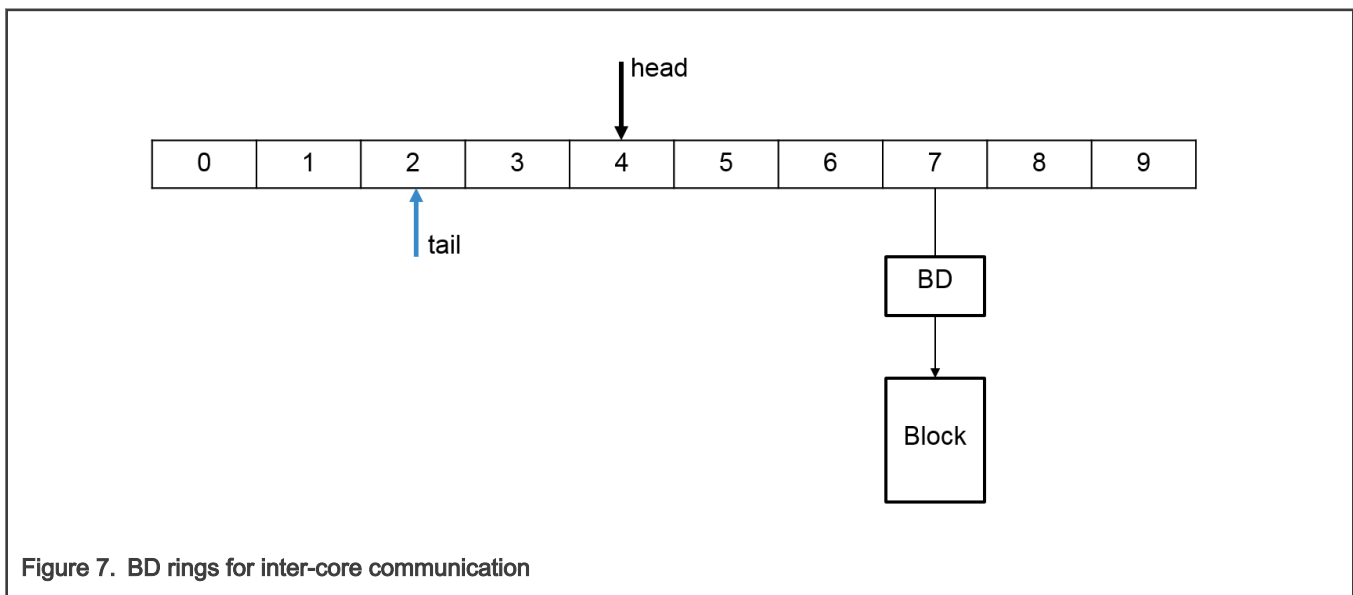
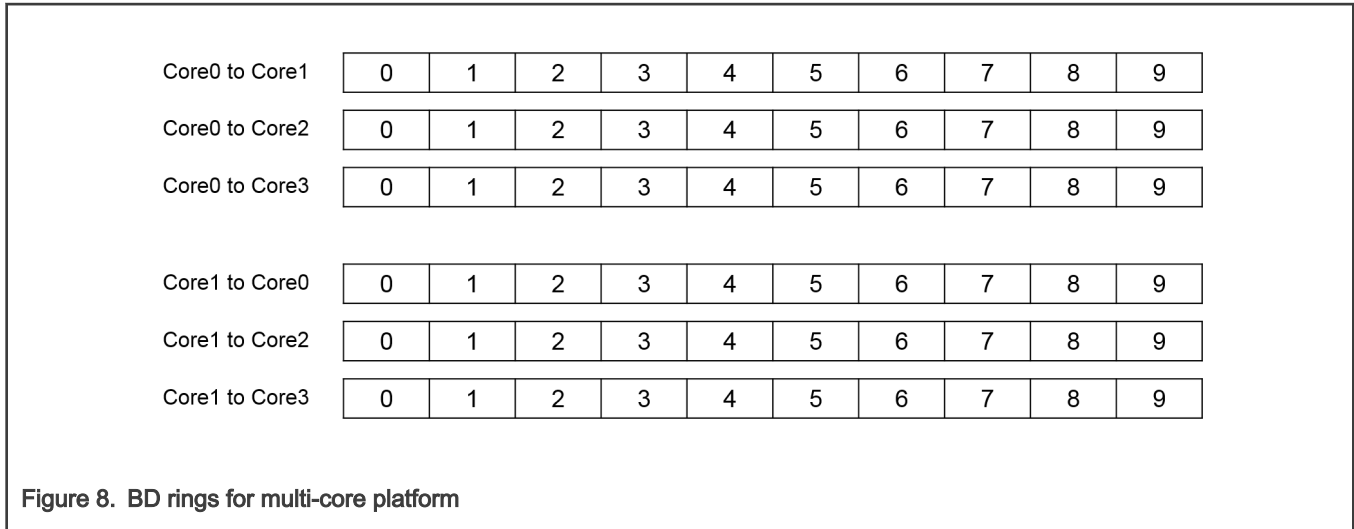
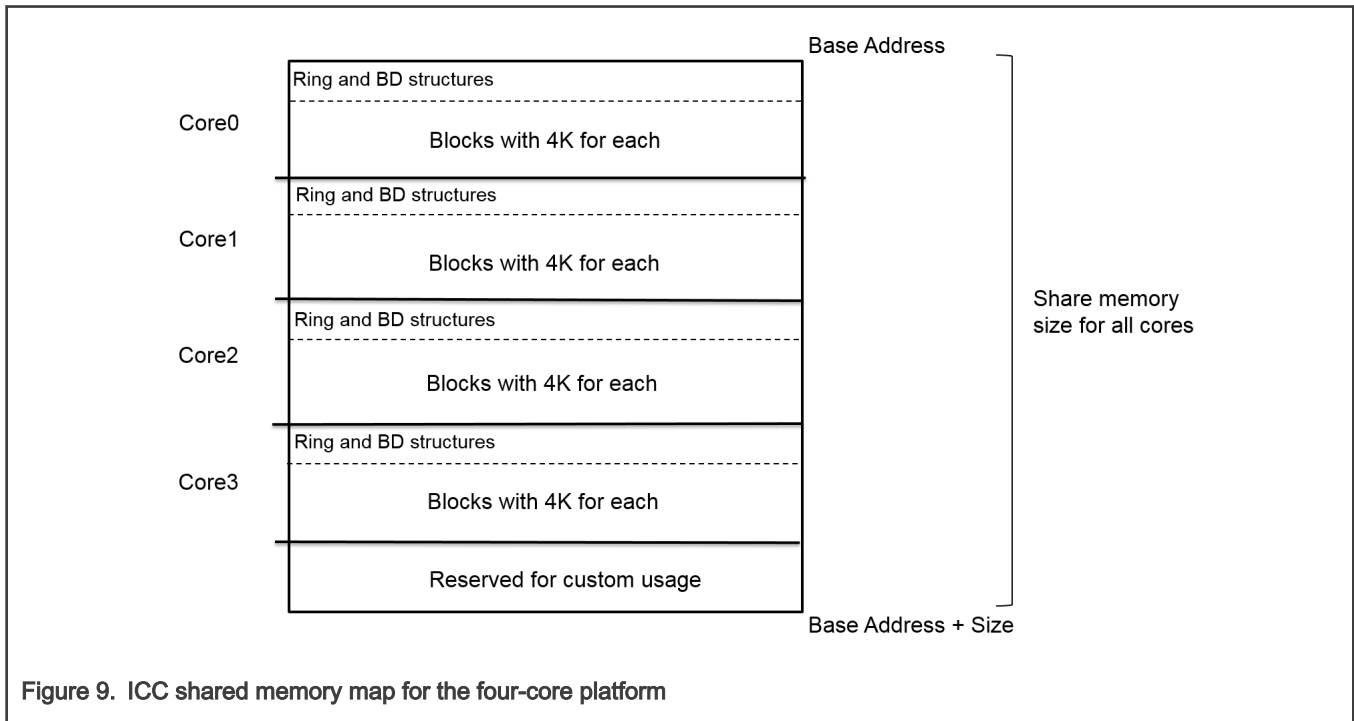


Figure 7. BD rings for inter-core communication

For a multi-core platform (that is, four cores), the total BD rings are arranged as shown in the following figure. (See the BD rings on Core 0 and Core 1.)



All the ICC ring structures, BD structures and blocks for data are in the shared memory. A four-core platform ICC module would map the shared memory as shown in the figure below.



Generally, Core 0 runs Linux as master core, other cores run BareMetal as slaves. They obtain the same size of share memory to structure the rings and BDs, and split the blocks space with 4k unit for each block. The reserved space at the top of the share memory is out of the ICC module and for the custom usage.

For LS1021A platform with two cores, the share memory map is defined as:

- The total shared memory size is 256 MB.
- The reserved space for custom usage is 16 MB at the top of the share memory space.
- Core 0 runs Linux as master core, the share memory size for ICC is 120 MB, in which the ring and BD structure space is 2 M, and the block space for data is 118 MB with 4K for each block.
- Core 1 runs BareMetal as slave core, the share memory size for ICC is 120 MB, in which the ring and BD structure space is 2M, and the block space for data is 118 MB with 4K for each block.

The ICC module includes two parts of the code:

- ICC code for Linux user space, works for data transfer between master core and slave cores. The code is integrated into the Real-time Edge software and named `real-time-edge-icc`. After the compilation, the `icc` binary is put into the Linux filesystem.
- ICC code for BareMetal, runs on every slave core, works for data transfer between BareMetal cores and master core.

The ICC code for Linux user space in repos: <https://github.com/real-time-edge-sw/real-time-edge-icc.git>

```
├─ icc-main.c --- the example case commands
├─ inter-core-comm.c
├─ inter-core-comm.h --- include the header file to use ICC module
└─ Makefile
```

The ICC code for BareMetal in BareMetal directory:

```
baremetal/
├─ arch/arm/lib/inter-core-comm.c
├─ arch/arm/include/asm/inter-core-comm.h --- includes the header file to use ICC module
└─ cmd/icc.c --- the example case commands
```

The APIs ICC are exported out for usage in both Linux user space and BareMetal code.

Table 19. ICC APIs

APIs	Description
<pre>unsigned long icc_ring_state(int coreid)</pre>	<p>Checks the ring and block state.</p> <p>Returns:</p> <ul style="list-style-type: none"> • 0 - if empty. • !0 - the working block address currently.
<pre>Unsigned long icc_block_request(void)</pre>	<p>Requests a block, which is <code>ICC_BLOCK_UNIT_SIZE</code> size.</p> <p>Returns:</p> <ul style="list-style-type: none"> • 0 - failed. • !0 - block address can be used.
<pre>void icc_block_free(unsigned long block)</pre>	<p>Frees a block requested.</p> <p>Be careful if the destination cores are working on this block.</p>
<pre>int icc_irq_register(int src_coreid, void (*irq_handle)(int, unsigned long, unsigned int))</pre>	<p>Registers ICC callback handler for received data.</p> <p>Returns:</p> <ul style="list-style-type: none"> • 0 - on success • -1 - if failed.
<pre>int icc_set_block(int core_mask, unsigned int byte_count, unsigned long block)</pre>	<p>Sends the data in the block to a core or multi-core.</p> <p>This triggers the SGI interrupt.</p> <p>Returns:</p>

Table continues on the next page...

Table 19. ICC APIs (continued)

APIs	Description
	<ul style="list-style-type: none"> • 0 - on success • -1 - if failed.
<code>void icc_show(void)</code>	Shows the ICC basic information.
<code>int icc_init(void)</code>	Initializes the ICC module.

3.2.4.3.1 ICC examples

This section provides example commands for use cases in both Linux user space and BareMetal code. They can be used to check and verify the ICC module conveniently.

1. In Linux user space, use the command `icc` to display the supported cases.

```
[root@LS1046ARDB ~] # icc
icc show - Shows all icc rings status at this core
icc perf <core_mask> <counts> - ICC performance to cores <core_mask> with <counts> bytes
icc send <core_mask> <data> <counts> - Sends <counts> <data> to cores <core_mask>
icc irq <core_mask> <irq> - Sends SGI <irq> ID[0 - 15] to <core_mask>
icc read <addr> <counts> - Reads <counts> 32bit register from <addr>
icc write <addr> <data> - Writes <data> to a register <addr>
```

Likewise, in BareMetal system, use the command `icc` to view the supported cases.

```
=> icc
1:icc - Inter-core communication via SGI interrupt

1:Usage:
icc show                - Show all icc rings status at this core
icc perf <core_mask> <counts> - ICC performance to cores <core_mask> with
<counts> bytes
icc send <core_mask> <data> <counts> - Send <counts> <data> to cores <core_mask>
icc irq <core_mask> <irq> - Send SGI <irq> ID[0 - 15] to <core_mask>
```

2. The ICC module command examples on LS1046ARDB with Linux (Core 0) + BareMetal (Core 1, 2, 3) system:

Run `icc send 0x2 0x55 128` to send 128 bytes data 0x55 to core 1.

```
[root@LS1046ARDB ~] # icc send 0x2 0x55 128
gic_base: 0xfffffa033f000, share_base: 0xfffff9133f000, share_phy: 0xd0000000,
block_phy: 0xd0200000

ICC send testing ...
Target cores: 0x2, bytes: 128
ICC send: 128 bytes to 0x2 cores success

all cores: reserved_share_memory_base: 0xdf000000; size: 16777216

mycoreid: 0; ICC_SGI: 8; share_memory_size: 62914560
block_unit_size: 4096; block number: 14848; block_idx: 0

#ring 0 base: 0xfffff9133f000; dest_core: 0; SGI: 8
desc_num: 128; desc_base: 0xd00000c0; head: 0; tail: 0
busy_counts: 0; interrupt_counts: 0
```

```
#ring 1 base: 0xffff9133f030; dest_core: 1; SGI: 8
desc_num: 128; desc_base: 0xd00008c0; head: 1; tail: 1
busy_counts: 0; interrupt_counts: 1

#ring 2 base: 0xffff9133f060; dest_core: 2; SGI: 8
desc_num: 128; desc_base: 0xd00010c0; head: 0; tail: 0
busy_counts: 0; interrupt_counts: 0

#ring 3 base: 0xffff9133f090; dest_core: 3; SGI: 8
desc_num: 128; desc_base: 0xd00018c0; head: 0; tail: 0
busy_counts: 0; interrupt_counts: 0
```

At the same time, Core 1 prints the receival information.

```
=> 1:Get the ICC from core 0; block: 0xd0200000, bytes: 128, value: 0x55
```

3. ICC command run on BareMetal side

```
=> icc send 0x1 0xaa 128
1:ICC send testing ...
1:Target cores: 0x1, bytes: 128
1:ICC send: 128 bytes to 0x1 cores success

1:all cores: reserved_share_memory_base: 0xdf000000; size: 16777216

1:mycoreid: 1; ICC_SGI: 8; share_memory_size: 62914560
1:block_unit_size: 4096; block number: 14848; block_idx: 0

1:#ring 0 base: 00000000d3c00000; dest_core: 0; SGI: 8
1:desc_num: 128; desc_base: 00000000d3c000c0; head: 1; tail: 1
1:busy_counts: 0; interrupt_counts: 1

1:#ring 1 base: 00000000d3c00030; dest_core: 1; SGI: 8
1:desc_num: 128; desc_base: 00000000d3c008c0; head: 0; tail: 0
1:busy_counts: 0; interrupt_counts: 0

1:#ring 2 base: 00000000d3c00060; dest_core: 2; SGI: 8
1:desc_num: 128; desc_base: 00000000d3c010c0; head: 0; tail: 0
1:busy_counts: 0; interrupt_counts: 0

1:#ring 3 base: 00000000d3c00090; dest_core: 3; SGI: 8
1:desc_num: 128; desc_base: 00000000d3c018c0; head: 0; tail: 0
1:busy_counts: 0; interrupt_counts: 0
```

Then, Core 0 side (Linux) will receive these data:

```
[root@LS1046ARDB ~] # [ 4247.733753] 000: Get the ICC from core 1; block: 0xd3e00000, bytes:
128, value: 0xaa
```

3.2.4.4 Hardware resource allocation

This section describes how to modify the hardware resource allocation depending on the application and used reference design board.

3.2.4.4.1 LS1021A-IoT board

3.2.4.4.1.1 Linux DTS

Remove `cpu1` node on DTS, and remove all the devices that bare metal has used.

3.2.4.4.1.2 Memory configuration

LS1021A-IoT board has a 1 GB size DDR. The DDR memory can be configured into three partitions: 512M for core0 (Linux), 256M for core1 (bare metal), and 256M for shared memory.

The configuration is in the path: `include/configs/ls1021aiot_config.h`.

```
#define CONFIG_SYS_DDR_SDRAM_SLAVE_SIZE (256 * 1024 * 1024)
#define CONFIG_SYS_DDR_SDRAM_MASTER_SIZE (512 * 1024 * 1024)
```

NOTE

Memory configuration must be consistent with the U-Boot configuration of core0.

Modify “`CONFIG_SYS_MALLOC_LEN`” in the `include/configs/ls1021aiot_config.h` file to change the maximum size of malloc.

You can use functions included in `malloc.h` to allocate or free memory in your program. These functions are listed in the table below.

Table 20. Description of memory APIs

API name (type)	Description
<code>void_t* malloc (size_t n)</code>	Allocates memory <ul style="list-style-type: none"> • <code>n</code> – length of allocated chunk • Returns a pointer to the newly allocated chunk
<code>void free (void *ptr)</code>	Releases the chunk of memory pointed to by <code>ptr</code> (where <code>ptr</code> is a pointer to the chunk of memory)

The memory configuration for bare metal is shown in the figure below.

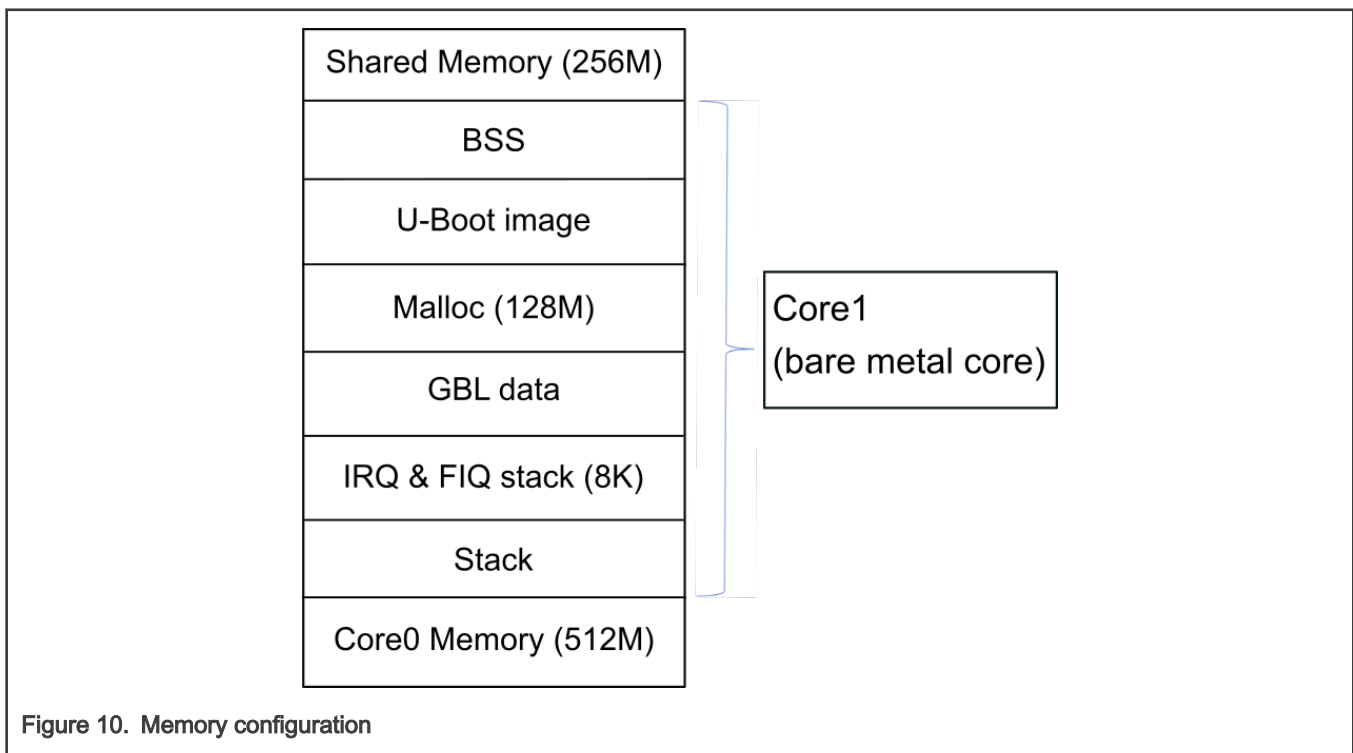


Figure 10. Memory configuration

3.2.4.4.1.3 GPIO

LS1021A has four GPIO controllers. The configuration is defined in the file: *arch/arm/dts/ls1021a-iot.dtsi*. You can add a GPIO node in the file *ls1021a-iot.dtsi* to assign a GPIO resource to different cores. Following is a sample code for adding a GPIO node.

```
&gpio2
{
    status = "okay";
};
```

3.2.4.4.1.4 I2C

LS1021A has three I2C controllers. Configure the I2C bus on *ls1021aiot_config.h* using the commands below:

```
// include/configs/ls1021aiot_config.h:
#define CONFIG_SYS_I2C_MXC_I2C1 /* enable I2C bus 1 */
#define CONFIG_SYS_I2C_MXC_I2C2 /* enable I2C bus 2 */
#define CONFIG_SYS_I2C_MXC_I2C3 /* enable I2C bus 3 */
```

3.2.4.4.1.5 Hardware interrupts

LS1021A has six IRQs as external IO signals connected to interrupt the controller. We can use these six IRQs on bare metal cores. The ids for these signals, IRQ0-IRQ5 are: 195, 196, 197, 199, 200, and 201.

GIC interrupt APIs are defined in the file, *asm/interrupt-gic.h*. The following example shows how to register a hardware interrupt:

```
//register HW interrupt
void gic_irq_register(int irq_num, void (*irq_handle)(int));
void gic_set_target(u32 core_mask, unsigned long hw_irq);
void gic_set_type(unsigned long hw_irq);
```

3.2.4.4.1.6 IFC

LS1021A-IoT board has no IFC device, but the LS1021A SoC has an IFC interface. Since IFC is multiplexed with QSPI, you should modify the RCW to use the IFC interface, and add a configuration such as shown in the sample code provided below. Users can modify the code to support IFC as per the actual scenario.

```
#define CONFIG_FSL_IFC
#define CONFIG_SYS_CPLD_BASE 0x7fb00000
#define CPLD_BASE_PHYS CONFIG_SYS_CPLD_BASE
#define CONFIG_SYS_FPGA_CSPR_EXT (0x0)

#define CONFIG_SYS_FPGA_CSPR (CSPR_PHYS_ADDR(CPLD_BASE_PHYS) | \
CSPR_PORT_SIZE_8 | \
CSPR_MSEL_GPCM | \
CSPR_V)

#define CONFIG_SYS_FPGA_AMASK IFC_AMASK(64 * 1024)
#define CONFIG_SYS_FPGA_CSOR (CSOR_NOR_ADM_SHIFT(4) | \
CSOR_NOR_NOR_MODE_AVD_NOR | \
CSOR_NOR_TRHZ_80)

/* CPLD Timing parameters for IFC GPCM */
#define CONFIG_SYS_FPGA_FTIMO (FTIMO_GPCM_TACSE(0xf) | \
FTIMO_GPCM_TEADC(0xf) | \
FTIMO_GPCM_TEAHC(0xf))
```

```
#define CONFIG_SYS_FPGA_FTIM1 (FTIM1_GPCM_TACO(0xff) | \
FTIM1_GPCM_TRAD(0x3f))

#define CONFIG_SYS_FPGA_FTIM2 (FTIM2_GPCM_TCS(0xf) | \
FTIM2_GPCM_TCH(0xf) | \
FTIM2_GPCM_TWP(0xff))

#define CONFIG_SYS_FPGA_FTIM3 0x0
#define CONFIG_SYS_CSPR1_EXT CONFIG_SYS_FPGA_CSPR_EXT
#define CONFIG_SYS_CSPR1 CONFIG_SYS_FPGA_CSPR
#define CONFIG_SYS_AMASK1 CONFIG_SYS_FPGA_AMASK
#define CONFIG_SYS_CSOR1 CONFIG_SYS_FPGA_CSOR
#define CONFIG_SYS_CS1_FTIM0 CONFIG_SYS_FPGA_FTIM0
#define CONFIG_SYS_CS1_FTIM1 CONFIG_SYS_FPGA_FTIM1
#define CONFIG_SYS_CS1_FTIM2 CONFIG_SYS_FPGA_FTIM2
#define CONFIG_SYS_CS1_FTIM3 CONFIG_SYS_FPGA_FTIM3
```

3.2.4.4.1.7 USB

LS1021AIOT has a single DW3 USB controller, which is assigned to the second core, by default. Use the command `make menuconfig` to re-configure the U-Boot to assign it to other cores.

```
ARM architecture --->
[*] Enable baremetal
[*] Enable USB for baremetal
(1) USB0 is assigned to core1
(1) USB Controller numbers
```

3.2.4.4.1.8 PCIe

LS1021AIOT has two PCIe controllers. By default, one is assigned to core0 and the other is assigned to core1. Use the `make menuconfig` command to re-configure the U-Boot, in order to re-assign the cores.

```
ARM architecture --->
[*] Enable baremetal
[*] Enable PCIE for baremetal
(0) PCIe1 is assigned to core0
(1) PCIe2 is assigned to core1
(2) PCIe Controller numbers
```

3.2.4.4.1.9 FlexCAN

Assigning CAN3 to BareMetal

In BareMetal, the port is allocated through the `flexcan.c` file. The `flexcan.c` path is `industry-uboot/drivers/flexcan/flexcan.c`. In this file, you should define the following variables:

```
struct can_bittiming_t flexcan3_bittiming = CAN_BITTIM_INIT(CAN_500K);
```

Note: You also should set the bit timing and baud rate (500K) of the CAN port.

```
struct can_ctrlmode_t flexcan3_ctrlmode = {
.loopmode = 0, /* Indicates whether the loop mode is enabled */
```

```
.listenonly = 0, /* Indicates whether the only-listen mode is enabled */
.samples = 0,
.err_report = 1,
};
struct can_init_t flexcan3 = {
.canx = CAN3, /* Specify CAN port */
.bt = &flexcan3_bittiming,
.ctrlmode = &flexcan3_ctrlmode,
.reg_ctrl_default = 0,
.reg_esr = 0
};
```

Optional Parameters

- **CAN port**

```
#define CAN3      (struct can_module *)CAN3_BASE)
#define CAN4      (struct can_module *)CAN4_BASE)
```

- **Baud rate**

```
#define CAN_1000K 10
#define CAN_500K 20
#define CAN_250K 40
#define CAN_200K 50
#define CAN_125K 80
#define CAN_100K 100
#define CAN_50K 200
#define CAN_20K 500
#define CAN_10K 1000
#define CAN_5K 2000
```

Use the command `make menuconfig` for configuring the FlexCAN setting for LS1021A reference design boards, as shown below: .

```
Device Drivers  --->
CAN support    --->
[*] Support for Freescale FLEXCAN based chips
[*] Support for canfestival
```

3.2.4.4.2 LS1028ARDB board

This section describes the ENETC configuration setting for LS1028A reference design boards.

3.2.4.4.2.1 ENETC

LS1028ARDB has only one ENETC controller in use, which is assigned to core1 as the default setting. The controller can be reconfigured by using the command, `make menuconfig`.

See the following:

```
ARM architecture --->
[*] Enable baremetal
[*] Enable ENETC for baremetal
(1) Enetc1 is assigned to core1
(1) ENETC Controller numbers
```

3.2.4.4.2.2 I2C

This section describes how to configure the I2C bus on LS1028A reference design boards.

LS1028ARDB has eight I2C controllers, but only controller 0 is used for I2C devices (for example RTC, Thermal Monitor), and Linux (core 0) will use this controller for some features (for example RTC). Therefore, below codes is just used to demo how to enable I2C in BareMetal side.

Note: Operating the I2C devices in BareMetal side CAREFULLY.

```
#define CONFIG_SYS_I2C_MXC_I2C1 /* enable I2C bus 0 */
#define CONFIG_SYS_I2C_MXC_I2C2 /* enable I2C bus 1 */
#define CONFIG_SYS_I2C_MXC_I2C3 /* enable I2C bus 2 */
#define CONFIG_SYS_I2C_MXC_I2C4 /* enable I2C bus 3 */

#define CONFIG_I2C_BUS_CORE_ID_SET
#define CONFIG_SYS_I2C_MXC_I2C0_COREID 1
```

The `CONFIG_SYS_I2C_MXC_I2C0_COREID` defines the slave core that runs the I2C bus.

Because I2C is enabled with DM mode in BareMetal side, there is not automatic codes to test it. Follow below steps to read RTC (0x51 address, is on bus 2) in BareMetal side :

```
=> i2c bus
Bus 0: i2c@2000000 (active 0)
    77: i2c-mux@77, offset len 1, flags 0
    57: generic_57, offset len 1, flags 0
Bus 1: i2c@2000000->i2c-mux@77->i2c@1
Bus 2: i2c@2000000->i2c-mux@77->i2c@3
    51: rtc@51, offset len 1, flags 0
Bus 3: i2c@2010000
Bus 4: i2c@2020000
Bus 5: i2c@2030000
Bus 6: i2c@2040000
Bus 7: i2c@2050000
Bus 8: i2c@2060000
Bus 9: i2c@2070000
=> i2c md 0x51 0
Error reading the chip: -121
=> i2c dev 2
Setting bus to 2
=> i2c md 0x51 0
0000: 04 00 36 03 12 15 02 12 20 80 80 80 80 80 00 c2 ..6.....
```

3.2.4.4.2.3 SAI

LS1028ARDB has only one SAI module in use, which is assigned to core1 as the default setting. The SAI module can be reconfigured by using the command, `make menuconfig`.

See the following:

```
Command line interface --->
  Misc commands --->
    [*] wavplayer

Device Drivers --->
  Sound support --->
    [*] Enable sound support
    [*] Enable I2S support
    [*] Freescale sound
```

```
[*] Freescale sgtl5000 audio codec
[*] Freescale SAI module
```

3.2.4.4.2.3.1 Audio integration in BareMetal

For audio feature, we should add SAI and SGTL5000 drivers to BareMetal.

- Add SAI driver source code to the *drivers/sound* directory
- Add SGTL5000 driver source code to the *drivers/sound* directory
- Add sound device source code to the *drivers/sound* directory
- Add a command that can play wav files to the *cmd* directory
- Add support for SAI and sgtl5000 in LS1028ARDB dts file

In *fsl-ls1028a.dtsi* file:

```
sai4: sai@f130000 {
    #sound-dai-cells = <0>;
    compatible = "fsl,ls1028a-sai";
    reg = <0x0 0xf130000 0x0 0x10000>;
    status = "disabled";
};
```

In *fsl-ls1028a-rdb.dts* file:

```
sound {
    compatible = "fsl,audio-sgtl5000";
    model = "ls1028a-sgtl5000";
    audio-cpu = <&sai4>;
    audio-codec = <&sgtl5000>;
    audio-routing =
        "LINE_IN", "Line In Jack",
        "MIC_IN", "Mic Jack",
        "Mic Jack", "Mic Bias",
        "Headphone Jack", "HP_OUT";
};

i2c@1 {
    #address-cells = <1>;
    #size-cells = <0>;
    reg = <0x1>;
    sgtl5000: codec@a {
        #sound-dai-cells = <0>;
        compatible = "fsl,sgtl5000";
        reg = <0xa>;
        VDDA-supply = <1800>;
        VDDIO-supply = <1800>;
        sys_mclk = <25000000>;
        sclk-strength = <3>;
    };
};

&sai4 {
    status = "okay";
};
```

- Add all source code to the corresponding makefile file.
- Add new default configurations to *ls1028ardb_sdcard_baremetal_defconfig* file

3.2.4.4.3 LS1043ARDB or LS1046ARDB board

The following sections describe the hardware resource allocation for the LS1043ARDB or LS1046ARDB boards for implementing the supported features.

3.2.4.4.3.1 Linux DTS

Remove cpu1, cpu2, cpu3 nodes on DTS, and remove all the devices that bare metal has used.

3.2.4.4.3.2 Memory configuration

This section describes the memory configuration for LS1043ARDB or LS1046ARDB boards.

The LS1043ARDB or LS1046ARDB boards have a 2GB size DDR. To use the bare metal framework, configure DDR into three partitions:

- 512M for core0 (Linux)
- 256M for core1 (bare metal)
- 256M for core2 (bare metal)
- 256M for core3 (bare metal), and 256M for shared memory.

The configuration can be defined in the file `include/configs/ls1043ardb.h`.

```
#define CONFIG_SYS_DDR_SDRAM_SLAVE_SIZE (256 * 1024 * 1024)
#define CONFIG_SYS_DDR_SDRAM_MASTER_SIZE (512 * 1024 * 1024)
#define CONFIG_SYS_DDR_SDRAM_SHARE_RESERVE_SIZE (16 * 1024 * 1024)
#define CONFIG_SYS_DDR_SDRAM_SHARE_SIZE \ ((256 * 1024 * 1024)
- CONFIG_SYS_DDR_SDRAM_SHARE_RESERVE_SIZE)
```

NOTE

The memory configuration must be consistent with the U-Boot configuration of core0.

The memory configuration for bare metal is shown in the figure below.

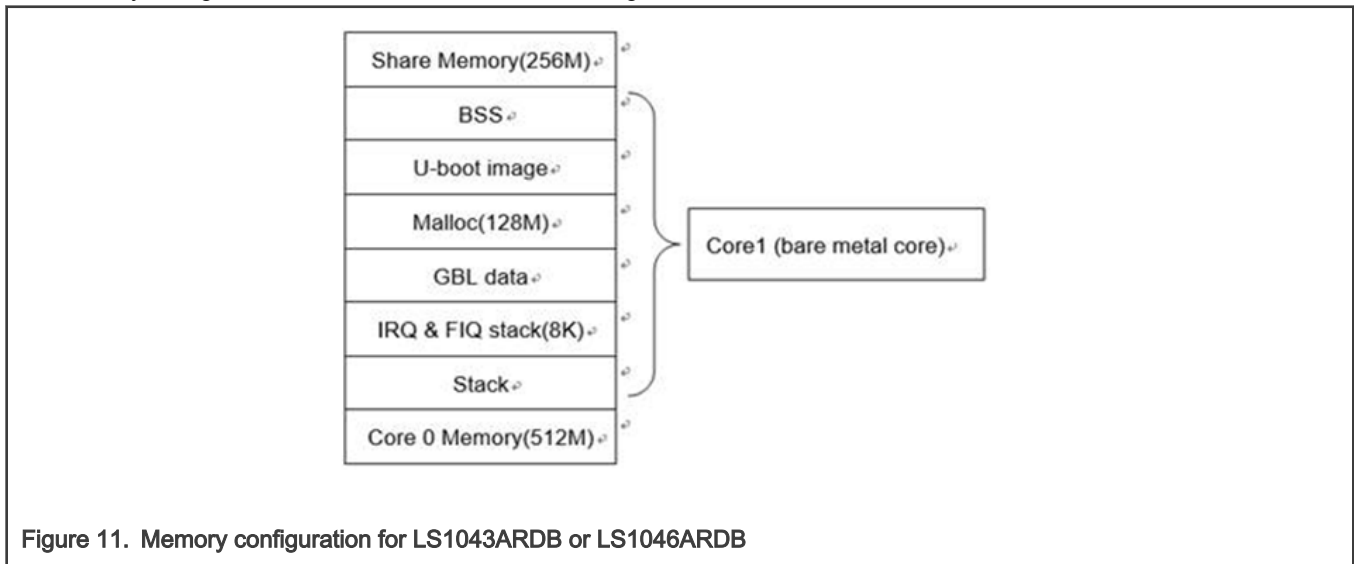


Figure 11. Memory configuration for LS1043ARDB or LS1046ARDB

The functions included in `malloc.h` in the table below can be used to allocate or free memory in program. Modify `CONFIG_SYS_MALLOC_LEN` in `include/configs/ls1043a_common.h` to change the maximum size of `malloc`.

Table 21. Memory APIs description

API name (type)	Description
void_t* malloc (size_t n)	Allocates memory <ul style="list-style-type: none"> • “n” – length of allocated chunk • Returns a pointer to the newly allocated chunk
void free (void *ptr)	Releases the chunk of memory pointed to by ptr (where “ptr” is a pointer to the chunk of memory)

The GPIO for LS1043ARDB (or LS1046ARDB) has four GPIO controllers. You need to add a GPIO node in the file `ls1043/6a-rdb.dts` to assign a GPIO resource to different cores. The configuration can be done in the file `arch/arm/dts/fsl-ls1043/6a-rdb.dts`.

3.2.4.4.3.3 GPIO

LS1043/6A has four GPIO controllers. You can add a GPIO node in the file `ls1043/6a-rdb.dts` to assign a GPIO resource to different cores. The configuration is in `arch/arm/dts/fsl-ls1043/6a-rdb.dts`. Use the command below to add a GPIO node:

```
&gpio2 {
    status = "okay";
};
```

3.2.4.4.3.4 I2C

This section describes how to configure the I2C bus on LS1028A, LS1043A, or LS1046A reference design boards.

The LS1043ARDB (or LS1028ARDB / LS1046ARDB) has four I2C controllers. You can configure the I2C bus using the `ls1043ardb_config.h` (or `ls1043ardb_config.h`) file using the commands below:

```
// include/configs/ls1043ardb_config.h:
#define CONFIG_SYS_I2C_MXC_I2C1      /* enable I2C bus 0 */
#define CONFIG_SYS_I2C_MXC_I2C2      /* enable I2C bus 1 */
#define CONFIG_SYS_I2C_MXC_I2C3      /* enable I2C bus 2 */
#define CONFIG_SYS_I2C_MXC_I2C4      /* enable I2C bus 3 */
#define CONFIG_SYS_I2C_MXC_I2C0_COREID 1
#define CONFIG_SYS_I2C_MXC_I2C1_COREID 2
#define CONFIG_SYS_I2C_MXC_I2C2_COREID 3
#define CONFIG_SYS_I2C_MXC_I2C3_COREID 1
```

The `CONFIG_SYS_I2C_MXC_I2C0_COREID` defines the slave core that runs the I2C bus.

3.2.4.4.3.5 Hardware interrupts

LS1043A has twelve IRQs as external IO signals connected to interrupt the controller. These twelve IRQs can be used on bare metal cores. The ids for these signals, IRQ0-IRQ11 are: 163, 164, 165, 167, 168, 169, 177, 178, 179, 181, 182, and 183. GIC interrupt APIs are defined in `asm/interrupt-gic.h`. The following example shows how to register a hardware interrupt:

```
//register HW interrupt
void gic_irq_register(int irq_num, void (*irq_handle)(int));
void gic_set_target(u32 core_mask, unsigned long hw_irq);
void gic_set_type(unsigned long hw_irq);
```


3.2.4.4.3.6 QSPI

LS1046ARDB has a QSPI flash device. To configure the QSPI on `ls1046ardb_config.h`, use the command below:

```
#define CONFIG_FSL_QSPI_COREID 1
```

Here, the `CONFIG_FSL_QSPI_COREID` defines the slave core that runs this QSPI.

3.2.4.4.3.7 IFC

LS1043A and LS1046A has IFC controller. Both Nor flash and NAND flash are supported in `ls1043ardb`, only NAND flash is supported in `ls1046ardb`.

1. IFC is disabled in Linux kernel via disabling "ifc" node:

```
&ifc {
    status = "disabled";
};
```

2. Enter the `BareMetal-Framework` directory path and then execute the commands below: (IFC is enabled by default)

```
make menuconfig ARM architecture ---> [*] Enable baremetal [*] Enable IFC for baremetal (1) IFC
is assigned to that core
```

3.2.4.4.3.8 Ethernet

This section describes the Ethernet configuration settings for LS1043A or LS1046A reference design boards.

LS1043A or LS1046A has only one FMan, so you should remove the DPAA driver in Linux.

1. Disable the DPAA driver in Linux kernel:

```
Device Drivers --->
  Staging drivers--->
    < > Freescale Datapath Queue and Buffer management
```

2. Enter the `BareMetal-Framework` directory and then execute the commands below:

```
make menuconfig ARM architecture ---> [*] Enable baremetal [*] Enable fman for baremetal (1)
FMAN1 is assigned to that core
```

Configure FMan to the specified core by modifying the `FMan1 is assigned to that core` value, which is the default configuration, to `core1`.

3.2.4.4.3.9 USB

This section describes the USB configuration setting for LS1043A and LS1046A reference design boards.

Both LS1043A and LS1046A have three DW3 USB controllers, we assign them to `core1`, `core2` and `core3` as the default setting. Re-configure them with command 'make menuconfig'.

```
ARM architecture --->
[*] Enable baremetal
[*] Enable USB for baremetal
(1) USB0 is assigned to core1
(2) USB1 is assigned to core2
(3) USB2 is assigned to core3
(3) USB Controller numbers
```

3.2.4.4.3.10 PCI Express (PCIe)

This section describes the PCIe configuration setting for LS1043A and LS1046A reference design boards.

Both LS1043A and LS1046A have three PCIe controllers, we assign them to core0, core1 and core2 as the default setting. Re-configure them with command 'make menuconfig'.

```
ARM architecture --->
[*] Enable baremetal
(0)   PCIe1 is assigned to core0
(1)   PCIe2 is assigned to core1
(2)   PCIe3 is assigned to core2
(3)   PCIe Controller numbers
```

3.2.4.4.4 LX2160ARDB board

The following sections describe the hardware resource allocation for the LX2160ARDB boards for implementing the supported features.

3.2.4.4.4.1 Memory configuration

This section describes the memory configuration for LX2160ARDB boards.

The LX2160ARDB boards have a 16GB size DDR. To use the BareMetal framework, configure DDR into three partitions:

- 15G for core0 (Linux)
- 64M per core from core1 to core15(bare metal), and 64M for shared memory.

The configuration can be defined in the file `include/configs/lx2160ardb_config.h`.

```
#define CONFIG_SYS_DDR_SDRAM_SLAVE_SIZE (64 * 1024 * 1024)
#define CONFIG_SYS_DDR_SDRAM_MASTER_SIZE (512 * 1024 * 1024)
#define CONFIG_SYS_DDR_SDRAM_SHARE_RESERVE_SIZE (16 * 1024 * 1024)
#define CONFIG_SYS_DDR_SDRAM_SHARE_SIZE \ ((64 * 1024 * 1024)
- CONFIG_SYS_DDR_SDRAM_SHARE_RESERVE_SIZE)
```

Figure 12. Memory configuration for LX2160ARDB

The functions included in `malloc.h` in the table below can be used to allocate or free memory in program. Modify `CONFIG_SYS_MALLOC_LEN` in `include/configs/lx2160ardb_config.h` to change the maximum size of `malloc`.

Table 22. Memory APIs description

API name (type)	Description
<code>void_t* malloc (size_t n)</code>	Allocates memory <ul style="list-style-type: none"> • “n” – length of allocated chunk • Returns a pointer to the newly allocated chunk
<code>void free (void *ptr)</code>	Releases the chunk of memory pointed to by ptr (where “ptr” is a pointer to the chunk of memory)

3.2.4.4.5 i.MX 8M Mini EVK and i.MX 8M Plus EVK board

3.2.4.4.5.1 Linux DTS

When using BareMetal, users should remove all the devices from kernel that BareMetal has used, for example:

```
&fec1 {
    status = "disabled";
};
&gpio5
{
    status = "disabled";
};
&uart3 {
    status = "disabled";
};
```

3.2.4.4.5.2 Memory configuration

This section describes the memory configuration for i.MX 8M Mini EVK or i.MX 8M Plus EVK boards.

1. The boards have a 6 GB DDR memory. To use the BareMetal framework, configure DDR into five partitions:

- 6016M for core0 (Linux)
- 32M for core1(bare metal)
- 32M for core2(bare metal)
- 32M for core3(bare metal)
- 32M for shared memory.

The configuration can be defined in the file `include/configs/imx8mm_evk.h`. or `include/configs/imx8mp_evk.h`.

```
#define CONFIG_SYS_DDR_SDRAM_SLAVE_RESERVE_SIZE (SZ_32M)
#define CONFIG_SYS_DDR_SDRAM_SHARE_RESERVE_SIZE (SZ_4M)
#define CONFIG_SYS_DDR_SDRAM_SLAVE_SIZE (SZ_32M)
```

2. Memory Reserve

For IPI data transfer, BareMetal needs to share memory between master core and slave core, so users should reserve some memory from linux kernel, as shown in the following dts file:

```
reserved-memory { #address-cells = <2>; #size-cells = <2>; ranges; bm_reserved: baremetal@0x60000000
{ no-map; reg = <0 0x60000000 0 0x10000000>; }; };
```

3.2.4.4.5.3 GPIO

1. Connect pin7 and pin8 of J1003. The `test_gpio` case in BareMetal uses pin7 and pin8 of J1003, so connect these two pins.
2. Boot the BareMetal on slave core. If the GPIO is working fine, the message below is displayed:

```
[ok]GPIO test ok
```

3. Disable the devices from kernel.

For the `test_gpio` case, use GPIO5_7 (pin8 of J1003) and GPIO5_8 (pin7 of J1003). These two pins are muxed as UART3_TXD and UART3_CTS, so should disable GPIO5 and UART3 from kernel.

```
&gpio5 { status = "disabled"; }; &uart3 { status = "disabled"; };
```

3.2.4.4.5.4 Ethernet

This section describes the Ethernet configuration settings for i.MX 8M Mini EVK or i.MX 8M Plus EVK boards.

1. Disable the Ethernet card from dts files:

```
&fec1 {
    status = "disabled";
};
```

NOTE

1. i.MX 8M Mini EVK has only one NIC, default status of eth0(fec1) is disabled. If user does not use eth0 in BareMetal, can enable fec1 in kernel dts file.
2. i.MX 8M Plus EVK has two NICs, default setting is eth0 for BareMetal, eth1 for Linux.

2. Confirm BareMetal configuration using the command below:

```
make menuconfig ARM architecture ---> [*] Enable baremetal [*] Enable NIC for baremetal (1) which
core that NIC is assigned to
```

Configure NIC to the specified core by modifying the NIC to assign that core value, which is the default configuration, to core1.

3.3 Jailhouse

3.3.1 Overview

Jailhouse is a partitioning Hypervisor based on Linux. It is able to run bare-metal applications or (adapted) operating systems besides Linux. For this purpose, it configures CPU and device virtualization features of the hardware platform in a way that none of these domains, called "cells" here, can interfere with each other in an unacceptable way.

Jailhouse is optimized for simplicity rather than feature richness. Unlike full-featured Linux-based hypervisors like KVM or Xen, Jailhouse does not support overcommitment of resources such as CPUs, RAM or devices. It performs no scheduling and only virtualizes those resources in software, which are essential for a platform and cannot be partitioned in hardware.

Once Jailhouse is activated, it runs BareMetal. This implies that it takes full control over the hardware and needs no external support. However, in contrast to other bare-metal hypervisors, it is loaded and configured by a normal Linux system. Its management interface is based on Linux infrastructure. So, you boot Linux first, then, enable Jailhouse and finally split off parts of the system's resources and assign them to additional cells.

3.3.2 Running PREEMPT_RT Linux in Inmate

3.3.2.1 i.MX 8M Plus EVK

Perform the following steps;

1. Execute `run jh_mmcboot` in U-Boot stage.
2. Wait for Linux OS to boot up and login in.
3. Copy the kernel image using the command below:

```
# cp /run/media/mmcblk1p1/Image /usr/share/jailhouse/inmates/kernel/
```

4. Execute non-root Linux demo:

```
# cd /usr/share/jailhouse/scripts
# ./linux-demo-imx8mp.sh
```

5. Check the result on serial port:

```
[ 0.000000] Booting Linux on physical CPU 0x0000000002 [0x410fd034]
[ 0.000000] Linux version 5.10.9-rt24+g1d502fe65979 (oe-user@oe-host) (aarch64-fsl-linux-gcc (GCC) 10.2.0)
[ 0.000000] Machine model: LS1043A RDB Board
[ 0.000000] earlycon: uart8250 at MMIO 0x00000000021c0600 (options '')
[ 0.000000] printk: bootconsole [uart8250] enabled
[ 0.000000] efi: UEFI not found.
[ 0.000000] cma: Reserved 32 MiB at 0x00000000f2000000
[ 0.000000] NUMA: No NUMA configuration found
[ 0.000000] NUMA: Faking a node at [mem 0x00000000c0900000-0x00000000f3ffffff]
[ 0.000000] NUMA: NODE_DATA [mem 0xf1e62a80-0xf1e64fff]
[ 0.000000] Zone ranges:
[ 0.000000]   DMA      [mem 0x00000000c0900000-0x00000000f3ffffff]
[ 0.000000]   DMA32   empty
[ 0.000000]   Normal   empty
[ 0.000000] Movable zone start for each node
[ 0.000000] Early memory node ranges
[ 0.000000]   node 0: [mem 0x00000000c0900000-0x00000000f3ffffff]
[ 0.000000]   initmem setup node 0 [mem 0x00000000c0900000-0x00000000f3ffffff]
[ 0.000000] On node 0 totalpages: 210688
[ 0.000000]   DMA zone: 3292 pages used for memmap
[ 0.000000]   DMA zone: 0 pages reserved
...
[root@rt-edge ~] # uname -a
Linux rt-edge 5.10.9-rt24+g1d502fe65979 #1 SMP PREEMPT_RT Tue Jun 15 03:13:38 UTC 2021 aarch64 GNU/Linux
[root@rt-edge ~] #
```

Note: if the case fails because of rootfs error, we can update rootfs using the following command:

```
# rm -fr /run/media/mmcblk2p2/*
# cp -frd /usr /bin /etc /home /fat /lib /linuxrc /lost+found/ /media/ /mnt /opt /root /
sbin /run/media/mmcblk2p2/
```

6. Exit Jailhouse.

3.3.2.2 LS1028ARDB

Perform the following steps to run PREEMPT_RT Linux in Inmate on LS1028ARDB:

1. Execute `run jh_mmcboot` in U-Boot stage.
2. Wait for Linux OS to boot up and login in it.
3. Copy kernel Image:

```
# cp /boot/Image /usr/share/jailhouse/inmates/kernel/
```

4. Execute non-root Linux demo:

```
# cd /usr/share/jailhouse/scripts
# ./linux-demo-ls1028ardb.sh
```

5. Exit Jailhouse.

```
# ../tools/jailhouse disable
```

3.3.2.3 LS1046ARDB

Perform the following steps:

1. Execute `run jh_mmcboot` in U-Boot stage.
2. Wait for Linux OS to boot up and login in it.
3. Copy kernel Image:

```
# cp /boot/Image /usr/share/jailhouse/inmates/kernel/
```

4. Execute non-root Linux demo:

```
# cd /usr/share/jailhouse/scripts
# ./linux-demo-ls1046ardb.sh
```

5. Exit Jailhouse:

```
# ../tools/jailhouse disable
```

3.3.3 Running Jailhouse Examples In Inmate

3.3.3.1 i.MX 8M Plus EVK

1. Execute `run jh_mmcbboot` in U-Boot stage
2. Wait for Linux OS to boot up and login in it.
3. Execute GIC demo.

```
# cd /usr/share/jailhouse/scripts
# ./gic-demo-imx8mp.sh
```

4. Check the result on serial port:

```
Initializing the GIC...
Initializing the timer...
Timer fired, jitter: 2039 ns, min: 2039 ns, max: 2039 ns
Timer fired, jitter: 1039 ns, min: 1039 ns, max: 2039 ns
Timer fired, jitter: 879 ns, min: 879 ns, max: 2039 ns
Timer fired, jitter: 959 ns, min: 879 ns, max: 2039 ns
Timer fired, jitter: 1039 ns, min: 879 ns, max: 2039 ns
Timer fired, jitter: 919 ns, min: 879 ns, max: 2039 ns
Timer fired, jitter: 919 ns, min: 879 ns, max: 2039 ns
Timer fired, jitter: 919 ns, min: 879 ns, max: 2039 ns
Timer fired, jitter: 1079 ns, min: 879 ns, max: 2039 ns
Timer fired, jitter: 919 ns, min: 879 ns, max: 2039 ns
Timer fired, jitter: 919 ns, min: 879 ns, max: 2039 ns
Timer fired, jitter: 959 ns, min: 879 ns, max: 2039 ns
```

5. Execute UART demo:

```
# ./uart-demo-imx8mp.sh
```

6. Check the result on serial port:

```
Hello 1 from cell!  
Hello 2 from cell!  
Hello 3 from cell!  
Hello 4 from cell!  
Hello 5 from cell!  
Hello 6 from cell!  
Hello 7 from cell!  
Hello 8 from cell!  
Hello 9 from cell!  
Hello 10 from cell!  
Hello 11 from cell!  
Hello 12 from cell!  
Hello 13 from cell!  
Hello 14 from cell!  
Hello 15 from cell!  
Hello 16 from cell!  
Hello 17 from cell!  
Hello 18 from cell!  
Hello 19 from cell!  
Hello 20 from cell!
```

7. Exit Jailhouse.

```
# ../tools/jailhouse disable
```

3.3.3.2 LS1028ARDB Jailhouse example in Inmate

Perform the following steps for running LS1028ARDB Jailhouse example In Inmate:

1. Execute `run jh_mmcbboot` in U-Boot stage.
2. Wait for Linux OS to boot up and login in it.
3. Execute GIC demo.

```
# cd /usr/share/jailhouse/scripts  
# ./gic-demo-ls1028ardb.sh
```

4. Execute UART demo.

```
# ./uart-demo-ls1028ardb.sh
```

5. Execute ivshmem demo.

```
# ./ivshmem-demo-ls1028ardb.sh
```

NOTE

If ivshmem case fails, then, reboot the board and test the case again.

Check the result on the second serial port:

```

IVSHMEM: Found device at 00:00.0
IVSHMEM: bar0 is at 0x00000000ff000000
IVSHMEM: bar1 is at 0x00000000ff001000
IVSHMEM: ID is 1
IVSHMEM: max. peers is 1
IVSHMEM: state table is at 0x00000000c0500000
IVSHMEM: R/W section is at 0x00000000c0501000
IVSHMEM: input sections start at 0x00000000c050a000
IVSHMEM: output section is at 0x00000000c050c000
IVSHMEM: initialized device
state[0] = 1
state[1] = 2
state[2] = 0
rw[0] = 1
rw[1] = 0
rw[2] = -1001599800
in@0x0000 = 10
in@0x2000 = 0
in@0x4000 = 1758252876

IVSHMEM: got interrupt 0 (#1)
state[0] = 1
state[1] = 2
state[2] = 0
rw[0] = 1
rw[1] = 1
rw[2] = -1001599800
in@0x0000 = 10
in@0x2000 = 10
in@0x4000 = 1758252876

```

6. Exit Jailhouse.

3.3.3.3 LS1046ARDB Jailhouse example

Perform the below steps for running Jailhouse examples in Inmate on LS1046ARDB:

1. Execute run `jh_mmcbboot` in U-Boot stage.
2. Wait for Linux OS to boot up and login it.
3. Execute GIC demo:

```
# cd /usr/share/jailhouse/scripts
# ./gic-demo-ls1046ardb.sh
```

4. Execute UART demo:

```
# ./uart-demo-ls1046ardb.sh
```

5. Execute `ivshmem` demo:

```
# ./ivshmem-demo-ls1046ardb.sh
```

6. Exit Jailhouse.

```
# ../tools/jailhouse disable
```


Chapter 4

Real-time Networking

4.1 Time Sensitive Networking (TSN) on NXP platforms

Time Sensitive Networking (TSN) is an extension to traditional Ethernet networks, providing a set of standards compatible with IEEE 802.1 and 802.3. These extensions intend to address the limitations of standard Ethernet in sectors ranging from industrial and automotive applications to live audio and video systems. Applications running over traditional Ethernet must be designed to be very robust in order to withstand corner cases such as packet loss, delay, or even reordering. TSN aims to provide guarantees for deterministic latency and packet loss under congestion. It thus allows critical and non-critical traffic to be converged in the same network.

This chapter describes the process and use cases for implementing TSN features on the i.MX 8M Plus, LS1028ARDB, and LS1021A-TSN boards.

4.1.1 TSN hardware capability

Table 23. TSN hardware capability on different platforms

Platform	802.1Qbv (Enhancements for Scheduled Traffic)	802.1Qbu and 802.3br (Frame Preemption)	802.1Qav (Credit Based Shaper)	802.1AS (Precision Time Protocol)	802.1CB (Frame Replication and Elimination for Reliability)	802.1Qci (Per Stream Filtering and Policing)
ENETC (LS1028a)	Y	Y	Y	Y	N	Y
Felix switch (LS1028a)	Y	Y	Y	Y	Y	Y
SJA1105 (LS1021a-TSN)	Y	N	Y	Y	N	Pre-standard
Stmac (i.MX 8M Plus)	Y	Y	Y	Y	N	N

4.1.2 TSN configuration

The table below describes the TSN configuration tools support on different platforms

Table 24. TSN configuration tools support on different platforms

Platform	802.1Qbv (Enhancements for Scheduled Traffic)	802.1Qbu and 802.3br (Frame Preemption)	802.1Qav (Credit Based Shaper)	802.1AS (Precision Time Protocol)	802.1CB (Frame Replication and Elimination for Reliability)	802.1Qci (Per Stream Filtering and Policing)
ENETC (LS1028A)	tc-taprio tsntool	ethtool tsntool	tc-cbs tsntool	ptp4l	N/A	tc-flower tsntool
Felix switch (LS1028A)	tc-taprio tsntool	ethtool tsntool	tc-cbs tsntool	ptp4l, GenAVB/TSN stack	tsntool	tc-flower tsntool

Table continues on the next page...

Table 24. TSN configuration tools support on different platforms (continued)

Platform	802.1Qbv (Enhancements for Scheduled Traffic)	802.1Qbu and 802.3br (Frame Preemption)	802.1Qav (Credit Based Shaper)	802.1AS (Precision Time Protocol)	802.1CB (Frame Replication and Elimination for Reliability)	802.1Qci (Per Stream Filtering and Policing)
SJA1105 (LS1021A- TSN)	tc-taprio	N/A	tc-cbs	ptp4l	N/A	tc-flower
Stmac (i.MX 8M Plus)	tc-taprio	ethtool	tc-cbs	ptp4l, GenAVB/TSN stack	N/A	N/A

4.1.2.1 Using Linux traffic control (tc)

Enable the following configurations in kernel when using Linux traffic control (tc):

```
Symbol: NET_SCH_MQPRIO [=y] && NET_SCH_CBS [=y] && NET_SCH_TAPRIO [=y]
[*] Networking support --->
  Networking options --->
    [*] QoS and/or fair queueing --->
      <*> Credit Based Shaper (CBS)
      <*> Time Aware Priority (taprio) Scheduler
      <*> Multi-queue priority scheduler (MQPRIO)
    [*] Actions --->
      <*> Traffic Policing
      <*> Generic actions
      <*> Redirecting and Mirroring
      <*> SKB Editing
      <*> Vlan manipulation
      <*> Frame gate entry list control tc action
```

On IS1028A platform, ENETC QoS driver needs to be set to support tc configuration.

```
Symbol: FSL_ENETC_QOS [=y]
Device Drivers--->
  [*] Network device support --->
    [*] Ethernet driver support --->
      [*] Freescale devices
      [*] ENETC hardware Time-sensitive Network support
```

1. The below link provides details for using tc-taprio to set Qbv:

<https://man7.org/linux/man-pages/man8/tc-taprio.8.html>

2. The below link provides details for using tc-cbs to set Qav:

<https://man7.org/linux/man-pages/man8/tc-cbs.8.html>

3. The below link provides details for using tc-flower to set Qci and ACL:

<https://man7.org/linux/man-pages/man8/tc-flower.8.html>

4.1.2.2 Tsntool

Tsntool is a tool to set the TSN capability of the Ethernet ports of TSN Endpoint and TSN switch. It's used on LS1028a platform, so enable TSN, ENETC_TSN, and MSCC_FELIX_SWITCH_TSN to support tsntool configuration on LS1028a.

```
Symbol: TSN [=y]
[*] Networking support --->
  Networking options --->
    [*] 802.1 Time-Sensitive Networking support

Symbol: ENETC_TSN [=y] && FSL_ENETC_PTP_CLOCK [=y] && FSL_ENETC_HW_TIMESTAMPING [=y]
Device Drivers --->
  [*] Network device support --->
    [*] Ethernet driver support --->
      [*] Freescale devices
      <*> ENETC PF driver
      <*> ENETC VF driver
      -* ENETC MDIO driver
      <*> ENETC PTP clock driver
      [*] ENETC hardware timestamping support
      [*] TSN Support for NXP ENETC driver

Symbol: MSCC_FELIX_SWITCH_TSN [=y]
Device Drivers --->
  [*] Network device support --->
    Distributed Switch Architecture drivers --->
      <*> Ocelot / Felix Ethernet switch support --->
      <*> TSN on FELIX switch driver
```

Enable PKTGEN in Kernel to use pktgen for testing,

```
Symbol: NET_PKTGEN [=y]
[*] Networking support --->
  Networking options --->
    Network testing --->
      <*> Packet Generator (USE WITH CAUTION)
```

See "Tsntool User Manual" for the details.

4.1.2.2.1 Tsntool User Manual

Tsntool is a tool to set the TSN capability of the Ethernet ports of TSN Endpoint and TSN switch. This document describes how to use tsntool for NXP's LS1028ARDB hardware platform.

NOTE

Tsntool supports only the LS1028ARDB platform.

4.1.2.2.1.1 Getting the source code

Github of the tsntool code is mentioned below.

<https://source.codeaurora.org/external/qoriq/qoriq-components/tsntool/>

4.1.2.2.1.2 Tsn tool commands

The following table lists the TSN tool commands and their description.

Table 25. TSN tool commands and their description

Command	Description
help	Lists commands support
version	Shows software version
verbose	Debugs on/off for tsntool
quit	Quits prompt mode
qbvset	Sets time gate scheduling config for <ifname>
qbvget	Gets time scheduling entries for <ifname>
cbstreamidset	Sets stream identification table
cbstreamidget	Gets stream identification table and counters
qcisfiset	Sets stream filter instance
qcisfiget	Gets stream filter instance
qcisgiset	Sets stream gate instance
qcisgiget	Gets stream gate instance
qcisficounterget	Gets stream filter counters
qcifmiset	Sets flow metering instance
qcifmiget	Gets flow metering instance
cbssset	Sets TCs credit-based shaper configure
cbssget	Gets TCs credit-based shaper status
qbuset	Sets one 8-bits vector showing the preemptable traffic class
qbudgetstatus	Not supported
tsdset	Not supported
tsdget	Not supported
ctset	Sets cut through queue status (specific for Is1028 switch)
cbgen	Sets sequence generate configure (specific for Is1028 switch)
cbrec	Sets sequence recover configure (specific for Is1028 switch)
dscpset	Sets queues map to DSCP of Qos tag (specific for Is1028 switch)
sendpkt	Not supported

Table continues on the next page...

Table 25. TSN tool commands and their description (continued)

Command	Description
regtool	Registers read/write of bar0 of PFs (specific for Is1028 enetc)
ptptool	ptptool get/set ptp timestamp. Useful commands: <pre>#get ptp0 clock time ptptool -g</pre> <pre>#get ptp1 clock time ptptool -g -d /dev/ptp1</pre>
dscpset	Set queues map to DSCP of QoS tag (specific for Is1028 switch)
qciapget	Gets max capability of the qci instance
tsncapget	Gets tsn capability of the device

4.1.2.2.1.3 Tsntool commands and parameters

This section lists the tsntool commands along with the parameters and arguments, with which they can be used.

Table 26. qbvset

Parameter <argument>	Description
<code>--device <ifname></code>	An interface such as eno0/swp0.
<code>--entryfile <filename></code>	A file script to input gatelist format. It has the following arguments: <pre>#'NUMBER' 'GATE_VALUE' 'TIME_LONG'</pre> <ul style="list-style-type: none"> NUMBER: # 't' or 'T' head. Plus entry number. Duplicate entry number will result in an error. GATE_VALUE: # format: xxxxxxxxb . # The MSB corresponds to traffic class 7. The LSB corresponds to traffic class 0. # A bit value of 0 indicates closed, whereas, a bit value of 1 indicates open. TIME_LONG: # nanoseconds. Do not input 0 time long. <pre>t0 11101111b 10000 t1 11011111b 10000</pre> <p style="text-align: center;">NOTE</p> <p style="text-align: center;">Entryfile parameter must be set. If not set, there will be a vi text editor prompt, "require to input the gate list".</p>
<code>--basetime <value></code>	AdminBaseTime A 64-bit hex value means nano second until now. OR a value input format as: Seconds.decimalSecond Example: 115.000125means 115 seconds and 125 μs.
<code>--cycletime <value></code>	AdminCycleTime

Table continues on the next page...

Table 26. qbvset (continued)

Parameter <argument>	Description
--cycleextend <value>	AdminCycleTimeExtension
--enable --disable	<ul style="list-style-type: none"> • enable: enables the qbv for this port. • disable: disables the qbv for this port. <p>By default, the value is set to enable, if user does not provide any input.</p>
--maxsdu <value>	queueMaxSDU
--initgate <value>	AdminGateStates
--configchange	ConfigChange. Default set to 1.
--configchangetime <value>	ConfigChangeTime

Table 27. qbvget

Parameter <argument>	Description
--device <ifname>	An interface such as eno0/swp0

Table 28. cbstreamidset

Parameter <argument>	Description
--enable --disable	<ul style="list-style-type: none"> • enable: Enables the entry for this index. • disable: Disables the entry for this index. <p>By default, this field is set to enable if there is no enable or disable input.</p>
--index <value>	Index entry number in this controller. Mandatory parameter. This value corresponds to tsnStreamIdHandle on switch configuration.
--device <string>	An interface such as eno0/swp0
--streamhandle <value>	tsnStreamIdHandle
--infacoutputport <value>	tsnStreamIdInFacOutputPortList
--outfacoutputport <value>	tsnStreamIdOutFacOutputPortList
--infacinputport <value>	tsnStreamIdInFacInputPortList
--outfacinputport <value>	tsnStreamIdOutFacInputPortList
--nullstreamid --sourcemacvid --destmacvid --ipstreamid	tsnStreamIdIdentificationType:

Table continues on the next page...

Table 28. `cbstreamidset` (continued)

Parameter <argument>	Description
	<ul style="list-style-type: none"> • <code>-nullstreamid</code>: Null Stream identification • <code>-sourcemacvid</code>: Source MAC and VLAN Stream identification • <code>-destmacvid</code>: not supported • <code>-ipstreamid</code>: not supported
<code>--nulldmac <value></code>	<code>tsnCpeNullDownDestMac</code>
<code>--nulltagged <value></code>	<code>tsnCpeNullDownTagged</code>
<code>--nullvid <value></code>	<code>tsnCpeNullDownVlan</code>
<code>--sourcemac <value></code>	<code>tsnCpeSmacVlanDownSrcMac</code>
<code>--sourcetagged <value></code>	<code>tsnCpeSmacVlanDownTagged</code>
<code>--sourcevid <value></code>	<code>tsnCpeSmacVlanDownVlan</code>

Table 29. `cbstreamidset`

Parameter <argument>	Description
<code>--device <ifname></code>	An interface such as <code>eno0/swp0</code>
<code>--index <value></code>	Index entry number in this controller. Mandatory to have.

Table 30. `qcisfiset`

Parameter <argument>	Description
<code>--device <ifname></code>	An interface such as <code>eno0/swp0</code>
<code>--enable --disable</code>	<ul style="list-style-type: none"> • <code>enable</code>: enable the entry for this index • <code>disable</code>: disable the entry for this index <p>By default, this field is set to <code>enable</code> if there is no <code>enable</code> or <code>disable</code> input.</p>
<code>--maxsdu <value></code>	Maximum SDU size.
<code>--flowmeterid <value></code>	Flow meter instance identifier index number.
<code>--index <value></code>	<p><code>StreamFilterInstance</code>. index entry number in this controller.</p> <p>This value corresponds to <code>tsnStreamIdHandle</code> of <code>cbstreamidset</code> command on switch configuration.</p>
<code>--streamhandle <value></code>	<p><code>StreamHandleSpec</code></p> <p>This value corresponds to <code>tsnStreamIdHandle</code> of <code>cbstreamidset</code> command.</p>

Table continues on the next page...

Table 30. qcisfiset (continued)

Parameter <argument>	Description
--priority <value>	PrioritySpec
--gateid <value>	StreamGateInstanceID
--oversizeenable	StreamBlockedDueToOversizeFrameEnable
--oversize	StreamBlockedDueToOversizeFrame

Table 31. qcisfiget

parameter <argument>	Description
--device <ifname>	An interface such as eno0/swp0
--index <value>	Index entry number in this controller. Mandatory to have.

Table 32. qcisgiset

Parameter <argument>	Description
--device <ifname>	An interface such as eno0/swp0
--index <value>	Index entry number in this controller. Mandatory to have.
--enable --disable	<ul style="list-style-type: none"> enable: enable the entry for this index. PSFPGateEnabled disable: disable the entry for this index. <p>By default, this field is set to enable if there is no enable or disable input.</p>
--configchange	configchange
--enblkinvr	PSFPGateClosedDueToInvalidRxEnable
--blkvr	PSFPGateClosedDueToInvalidRx
--initgate	PSFPAdminGateStates
--initip	AdminIPV
--cycletime	Default not set. Get by gatelistfile.
--cycletimeext	PSFPAdminCycleTimeExtension
--basetime	<p>PSFPAdminBaseTime</p> <p>A 64-bit hex value means nano second until now.</p> <p>OR a value input format as: Seconds.decimalSecond</p> <p>Example: 115.000125means 115 seconds and 125 μs.</p>

Table continues on the next page...

Table 32. qcisgiset (continued)

Parameter <argument>	Description
--gatelistfile	<p>PSFPAdminControlList. A file input the gate list: 'NUMBER' 'GATE_VALUE' 'IPV' 'TIME_LONG' 'OCTET_MAX'</p> <ul style="list-style-type: none"> • NUMBER: # 't' or 'T' head. Plus entry number. Duplicate entry number will result in an error. • GATE_VALUE: format: xb: The MSB corresponds to traffic class 7. The LSB corresponds to traffic class 0. A bit value of 0 indicates closed, A bit value of 1 indicates open. • IPV: # 0~7 • TIME_LONG: in nanoseconds. Do not input time long as 0. • OCTET_MAX: The maximum number of octets that are permitted to pass the gate. If zero, there is no maximum. <p>Example:</p> <pre>t0 1b -1 50000 10</pre>

Table 33. qcisgiget

Parameter <argument>	Description
--device <ifname>	An interface such as eno0/swp0
--index <value>	Index entry number in this controller. Mandatory to have.

Table 34. qcifmisset

Parameter <argument>	Description
--device <ifname>	An interface such as eno0/swp0
--index <value>	Index entry number in this controller. Mandatory to have.
--disable	If not set disable, then to be set enable.
--cir <value>	cir. kbit/s.
--cbs <value>	cbs. octets.
--eir <value>	eir.kbit/s.
--ebs <value>	ebs.octets.
--cf	cf. couple flag.
--cm	cm. color mode.
--dropyellow	drop yellow.
--markred_enable	mark red enable.

Table continues on the next page...

Table 34. qcifmisset (continued)

Parameter <argument>	Description
--markred	mark red.

Table 35. qcifmigset parameter

Parameter <argument>	Description
--device <ifname>	An interface such as eno0/swp0
--index <value>	Index entry number in this controller. Mandatory to have.

Table 36. qbuset parameter

Parameter <argument>	Description
--device <ifname>	An interface such as eno0/swp0
--preemptable <value>	8-bit hex value. Example: 0xfe The MS bit corresponds to traffic class 7. The LS bit to traffic class 0. A bit value of 0 indicates express. A bit value of 1 indicates preemptable.

Table 37. cbsset command

Parameter <argument>	Description
--device <ifname>	An interface such as eno0/swp0
--tc <value>	Traffic class number.
--percentage <value>	Set percentage of tc limitation.
--all <tc-percent:tc-percent...>	Not supported.

Table 38. cbsget

Parameter <argument>	Description
--device <ifname>	An interface such as eno0/swp0
--tc <value>	Traffic class number.

Table 39. regtool

Parameter <argument>	Description
Usage: regtool { pf number } { offset } [data]	pf number: pf number for the pci resource to act on
	offset: offset into pci memory region to act upon
	data: data to be written

Table 40. ctset

Parameter <argument>	Description
--device <ifname>	An interface such as swp0
--queue_stat <value>	Specifies which priority queues have to be processed in cut-through mode of operation. Bit 0 corresponds to priority 0, Bit 1 corresponds to priority 1 so-on.

Table 41. cbgen

Parameter <argument>	Description
--device <ifname>	An interface such as swp0
--index <value>	Index entry number in this controller. Mandatory to have. This value corresponds to tsnStreamIdHandle of cbstreamidset command.
--iport_mask <value>	INPUT_PORT_MASK: If the packet is from input port belonging to this port mask, then it's a known stream and Sequence generation parameters can be applied
--split_mask <value>	SPLIT_MASK: Port mask used to add redundant paths (or ports). If split is enabled (STREAM_SPLIT) for a stream. This is OR'ed with the final port mask determined by the forwarding engine.
--seq_len <value>	SEQ_SPACE_LOG2: Minimum value is 1 and maximum value is 28. tsnSeqGenSpace = 2**SEQ_SPACE_LOG2 For example, if this value is 12, then valid sequence numbers are from 0x0 to 0xFFF.
--seq_num <value>	GEN_REC_SEQ_NUM: The sequence number to be used for outgoing packet passed to SEQ_GEN function. Note: Only lower 16-bits are sent in RED_TAG.

Table 42. cbrec

Parameter <argument>	Description
--device <ifname>	An interface such as swp0
--index <value>	Index entry number in this controller. Mandatory to have.

Table continues on the next page...

Table 42. cbrec (continued)

Parameter <argument>	Description
	This value corresponds to <code>tsnStreamIdHandle</code> of <code>cbstreamidset</code> command.
<code>--seq_len <value></code>	SEQ_SPACE_LOG2:Min value is 1 and maximum value is 28. <code>tsnSeqRecSeqSpace = 2**SEQ_REC_SPACE_LOG2</code> For example, if this value is 12, then valid sequence numbers are from 0x0 to 0xFFF.
<code>--his_len <value></code>	SEQ_HISTORY_LEN: Refer to SEQ_HISTORY, Min 1 and Max 32.
<code>--rtag_pop_en</code>	REDTAG_POP: If True, then the redundancy tag is popped by rewriter.

Table 43. dscpset

Parameter <argument>	Description
<code>--device <ifname></code>	An interface such as <code>swp0</code>
<code>--disable</code>	Disables DSCP to traffic class for frames.
<code>--index</code>	DSCP value
<code>--cos</code>	Priority number of queue which is mapped to
<code>--dpl</code>	Drop level which is mapped to

Table 44. qcicapget

Parameter <argument>	Description
<code>--device <ifname></code>	An interface such as <code>swp0</code>

Table 45. tsnicapget

Parameter <argument>	Description
<code>--device <ifname></code>	An interface such as <code>swp0</code>

4.1.2.2.1.4 Input tips

While providing the command input, user can use the following shortcut keys to make the input faster:

- When user input a command, use the **TAB** key to help list the related commands.

For example:

```
tsntool> qbv
```

Then press **TAB** key, to get all related `qbv*` start commands.

If there is only one choice, it is filled as the whole command automatically.

- When user input parameters, if user does not remember the parameter name. User can just input "--" then press **TAB** key. It displays all the parameters.

If user input half the parameter’s name, pressing the **TAB** key lists all the related names.

- History: press the up arrow “↑”. User will get the command history and can re-use the command.

4.1.2.2.1.5 Non-interactive mode

Tsntool also supports non-interactive mode.

For example:

In the interactive mode:

```
tsntool> qbuset --device eno0 --preemptable 0xfe
```

In non-interactive mode:

```
tsntool qbuset --device eno0 --preemptable 0xfe
```

4.1.2.3 Remote configuration using NETCONF/YANG

1. Overview

The NETCONF protocol defines a mechanism for device management and configuration retrieval and modification. It enables a client to adjust to the specific features of any network equipment by using a remote procedure call (RPC) paradigm and a system to expose device (server) capabilities.

YANG is a standards-based, extensible, hierarchical data modeling language. YANG is used to model the configuration and state data used by NETCONF operations, RPCs, and server event notifications.

2. Support for different platforms in Real-time Edge

TSN offload	Real-time Edge			
	LS1028		SJA1105	i.MX 8M Plus
	libtsn	tc	tc	tc
802.1Qbv (Time Aware Shaper)	Y	Y	Y	Y
802.1Qbu/802.3br (Frame Preemption)	Y	Y	N/A	Y
802.1Qav (Credit Based Shaper)	-	-	-	-
802.1CB (Frame Replication and Elimination for Reliability)	-	-	N/A	N/A
802.1Qci (Per-Stream Filtering and Policing)	Y	Y	Y	N/A
IP config	Y	Y	Y	Y
MAC config	Y	Y	Y	Y
VLAN config	Y	Y	Y	Y

3. Installation and configuration

Netopeer is a set of NETCONF tools built on the `libnetconf` library. The `sysrepo-tsn` (<https://github.com/real-time-edge-sw/real-time-edge-sysrepo.git>) helps to configure TSN features, including `Qbv`, `Qbu`, `Qci`, and stream identification via network, without logging in to device. For details of configuring TSN features via Netopeer, refer to [NETCONF/YANG](#)). Some application scenarios for `tsn` refer to [Application scenarios](#).

4.1.2.4 Web-based configuration

4.1.2.4.1 Setting up web server

The Web UI allows the remote control of the YANG model and also get devices information by websockets. This demo is already added to `tsntool` in the folder `tsntool/demos/cnc/`.

There are two ways to start the web server on PC side: docker or install step by step.

The easy way to start the webserver on PC side, just run command at Ubuntu PC(install docker support):

```
docker run --net=host -t -i liupoer/cncdemo:v2.0 /bin/bash /etc/rc.d/rc.local
```

Then just step over to the step 8 start the agent on boards directly.

In case user want to setup the web server step by step, just follow below steps one by one:

1. Install related libraries: Suppose user is installing the demo on a Centos PC or Ubuntu PC as the WebServer. CNC demo requires python3 and related libraries: `pyang`, `libnetconf`, and `libssh`.

For Ubuntu:

```
$ sudo apt install -y libtool python-argparse libtool-bin python-sphinx libffi-dev
$ sudo apt install -y libxslt1-dev libcurl4-openssl-dev xsltproc python-setuptools
$ sudo apt install -y zlib1g-dev libssl-dev python-libxml2 libaugeas-dev
$ sudo apt install -y libreadline-dev python-dev pkg-config libxml2-dev
$ sudo apt install -y cmake openssh-server
$ sudo apt install -y python3-sphinx python3-setuptools python3-libxml2
$ sudo apt install -y python3-pip python3-dev python3-flask python3-pexpect
$ sudo apt install -y libnss-mdns avahi-utils
$ pip3 install flask-restful
$ pip3 install websockets
```

For Centos 7.2:

```
$ sudo yum install libxml2-devel libxslt-devel openssl-devel libgcrypt dbus-devel
$ sudo yum install doxygen libevent readline.x86_64 ncurses-libs.x86_64
$ sudo yum install ncurses-devel.x86_64 libssh.x86_64 libssh2-devel.x86_64
$ sudo yum install libssh2.x86_64 libssh2-devel.x86_64
$ sudo yum install nss-mdns avahi avahi-tools
```

2. Install `pyang`

```
$ git clone https://github.com/mbj4668/pyang.git
$ cd pyang
$ git checkout b92b17718de53758c4c8a05b6818ea66fc0cd4d8 -b fornetconf1
$ sudo python setup.py install
```

3. . Install `libssh`:

```
$ git clone https://git.libssh.org/projects/libssh.git
$ cd libssh
$ git checkout fe18ef279881b65434e3e44fc4743e4b1c7cb891 -b fornetconf1
$ mkdir build; cd build/
$ cmake ..
```

```
$ make
$ sudo make install
```

NOTE

There is a version issue for libssh installation on Ubuntu below version 16.04. Apt-get install libssh may get version 0.6.4. But libnetconf needs a version of 0.7.3 or later. Remove the default one and reinstall by downloading the source code and installing it manually.

4. Install libnetconf:

```
$ git clone https://github.com/CESNET/libnetconf.git
$ cd libnetconf
$ git checkout 8e934324e4b1e0ba6077b537e55636e1d7c85aed -b fornetconf1
$ autoreconf --force --install
$ ./configure
$ make
$ sudo make install
```

5. Get tsntool source code on webserver PC

```
git clone https://source.codeaurora.org/external/qoriq/qoriq-components/tsntool
cd tsntool/demos/cnc/
```

6. Install python library:

In the below command segments,

- PATH-to-libnetconf is the path to the libnetconf source code.
- PATH-to-tsntool is the path to the tsntool source code.

```
$ cd PATH-to-libnetconf/
```

The libnetconf needs to add two patches based on the below commit point to fix the demo python support.

Ensure that the commit id is 313fdadd15427f7287801b92fe81ff84c08dd970.

```
$ git checkout 313fdadd15427f7287801b92fe81ff84c08dd970 -b cnc-server
$ cp PATH-to-tsntool/demos/cnc/*patch .
$ git am 0001-inctool-to-make-install-transapi-yang-model-proper.patch
$ git am 0002-automatic-python3-authorizing-with-root-password-non.patch
$ cd PATH-to-libnetconf/python
$ python3 setup.py build; sudo python3 setup.py install
```

NOTE

If rebuilding python lib, user need to remove the build folder by command `rm build -rf` before rebuilding. On the boards Real-time Edge supports, avahi-daemon and netopeer server are required. Remember to also add the netopeer2-server run at boards.

7. To start the web server on webserver PC, input the command below at shell into the folder: PATH-to-tsntool/demos/cnc/:

```
sudo python3 cnc.py
```

8. Start topoagent server on the boards supported

- Make sure the netopeer2-server run at boards(Not necessary for topology discovery).
- Make sure the lldpd daemon is running at boards.
- Make sure the avahi-daemon is running at boards.

Start the topology server on boards:

```
#If the hostname is not real-time-edge, change to real-time-edge
avahi-set-host-name real-time-edge
cd /home/root/samples/cncdemo/
python3 topoagent.py
```

9. Use Web browser to track the devices topology and configuration. Input the IP of WebServer with the port 8180 at browser. For example:

```
http://10.193.20.147:8180
```

NOTE

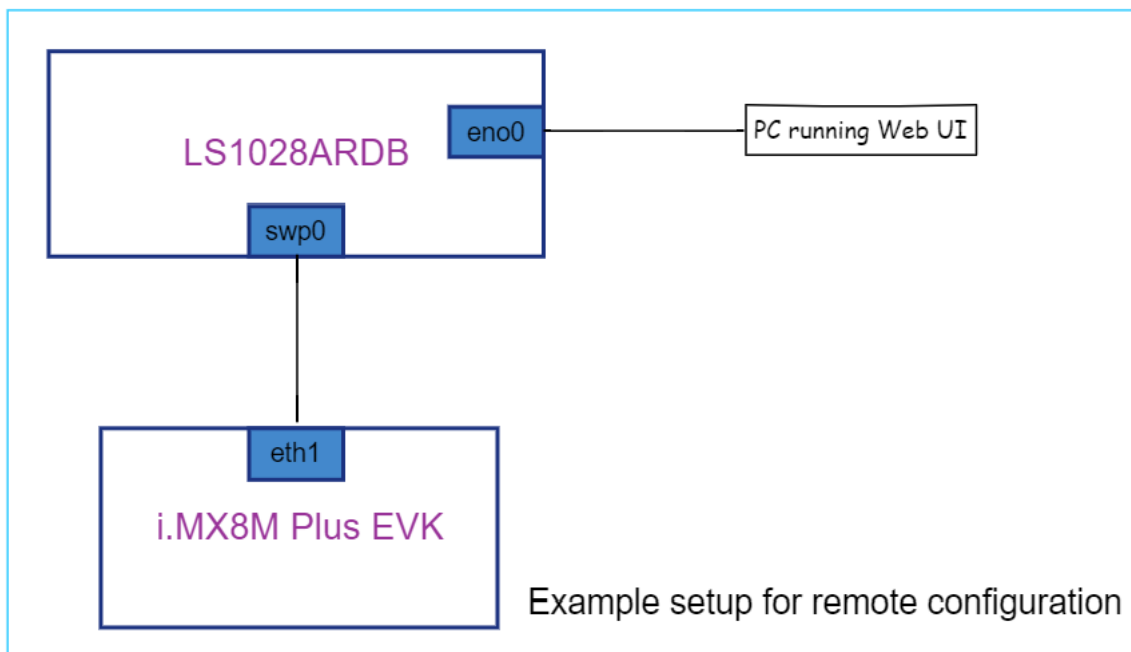
TSN configuration debug:

- It is recommended to track the boards using tsntool to check the real tsn configuration for comparison.
- It is also recommended to track if the netopeer2-server is running at board or not for tsn configuration.

Limitations of Web UI are::

- Setup server on a Centos PC or Ubuntu PC could be more compatible.
- Supports Qbv, Qbu and Qci in current version.
- For Qci setting, Stream-gate entry should be set ahead of setting the Stream-filter as sysrepo required. Or else, user will get failure for setting Stream-filter without a stream gate id link to.
- The boards and the web server PC are required to be in same IP domain since the bridge may block the probe frames.

4.1.2.4.2 Remote configuration



1. Overview

The Web UI allows the remote control of the YANG model. The user can connect http server, and input TSN parameter on web UI, and click "Yes, confirm" button to send them to the board.

2. User Interface

2.1 Qbv Configuration

ADD TSN SETTING +

qbv v

*device: swp2

enable disable

basetime: 0 example: s.ns

*gate control list:

GATE	PERIOD
3	4000 +

Yes, confirm

cancel

STATUS Get Config

console output

```

getconfig operation: true
-----0-----
getconfig operation: true
-----1-----
getconfig operation: true
-----2-----
editconfig operation: true
{
  "interfaces":{
    "@xmlns":"urn:ietf:params:xml:ns:yang:ietf-interfaces",
    "interface":{
      "name":"swp2",
      "enabled":"true",
      "type":{
        "@xmlns:ianaift":"urn:ietf:params:xml:ns:yang:iana-if-type",
        "#text":"ianaift:ethernetCsmacd"
      }
    },
    "gate-parameters":{
      "@xmlns":"urn:ieee:std:802.1Q:yang:ieee802-dot1q-sched",
      "gate-enabled":"true",
      "config-change":"true",
      "admin-control-list-length":"1",
      "admin-control-list":{
        "index":"0",
        "operation-name":"set-gate-states",
        "sgs-params":{
          "gate-states-value":"3",
          "time-interval-value":"4000"
        }
      }
    }
  }
}

```

2.2 Qbu Configuration

ADD TSN SETTING +

qbu v

*device: swp2

enable disable

TC0 preemptable express

TC1 preemptable express

TC2 preemptable express

TC3 preemptable express

TC4 preemptable express

TC5 preemptable express

TC6 preemptable express

TC7 preemptable express

Yes, confirm

cancel

STATUS Get Config

```

      "gate-states-value":"3",
      "time-interval-value":"4000"
    },
  },
  "admin-base-time":{
    "seconds":"0",
    "fractional-seconds":"0"
  }
},
"frame-preemption-parameters":{
  "@xmlns":"urn:ieee:std:802.1Q:yang:ieee802-dot1q-preemption",
  "frame-preemption-status-table":{
    {
      "traffic-class":"0",
      "frame-preemption-status":"express"
    },
    {
      "traffic-class":"1",
      "frame-preemption-status":"express"
    },
    {
      "traffic-class":"2",
      "frame-preemption-status":"express"
    },
    {
      "traffic-class":"3",
      "frame-preemption-status":"preemptable"
    },
    {
      "traffic-class":"4",
      "frame-preemption-status":"express"
    },
    {
      "traffic-class":"5",
      "frame-preemption-status":"express"
    },
    {
      "traffic-class":"6"

```

2.3 Qci Configuration

ADD TSN SETTING +

qci v

*device: swp2 v

stream gate v

enable disable

*index: 1

initial gate state: open close

initial ipv: 1

basetime: 0

open close

period: 50000 ipv:

+

Yes, confirm

cancel

STATUS Get Config

console output

```

getconfig operation: true
-----0-----
getconfig operation: true
-----1-----
getconfig operation: true
-----2-----
editconfig operation: true
{
  "interfaces":{
    "@xmlns":"urn:ietf:params:xml:ns:yang:ietf-interfaces",
    "interface":{
      "name":"swp2",
      "enabled":"true",
      "type":{
        "@xmlns:ianaif":"urn:ietf:params:xml:ns:yang:iana-if-type",
        "#text":"ianaif:ethernetCsmacd"
      }
    },
    "gate-parameters":{
      "@xmlns":"urn:ieee:std:802.1Q:yang:ieee802-dot1q-sched",
      "gate-enabled":"true",
      "config-change":"true",
      "admin-control-list-length":"1",
      "admin-control-list":{
        "index":"0",
        "operation-name":"set-gate-states",
        "sgs-params":{
          "gate-states-value":"3",
          "time-interval-value":"4000"
        }
      }
    }
  }
}
        
```

In this interface, user can choose configuration for "stream identify", "stream filter", "stream gate" and "flow metering".

4.1.3 TSN on i.MX 8M Plus

4.1.3.1 Test environment

On i.MX 8M Pluse platform, there is only eth1 has TSN features, connect eth1 to Test center to test TSN features.

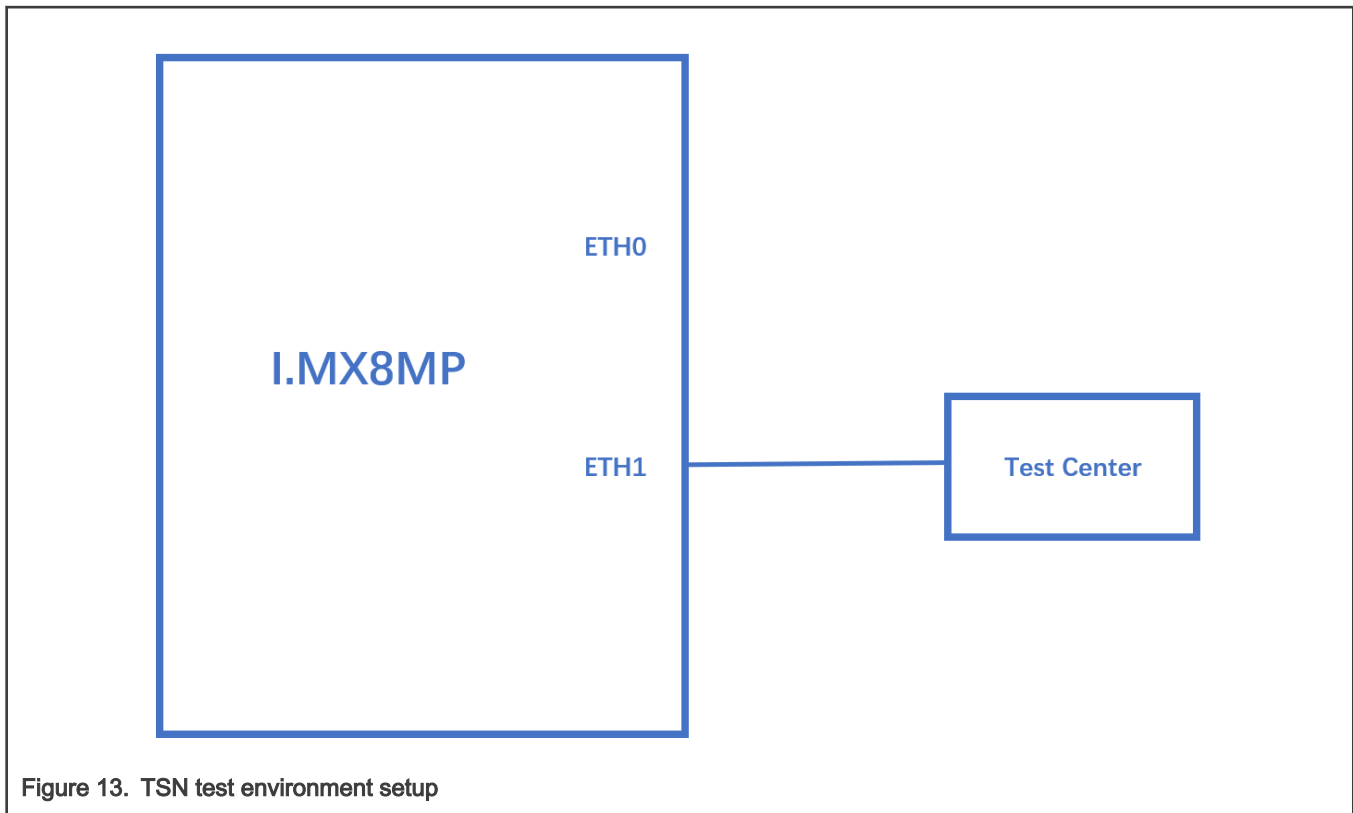


Figure 13. TSN test environment setup

Note: Test Center is a device to capture streams from eth1 of i.mx8mp board. We use Spirent which can capture preemptable frames in Qbu test case.

4.1.3.2 Clock synchronization

To test 1588 synchronization on dwcmac interfaces, use the following procedure:

1. Connect eth1 interfaces on two boards in a back-to-back manner.

The linux booting log is as follows:

```
...
pps pps0: new PPS source ptp0
...
```

2. Configure the IP address

```
ifconfig eth1 192.168.3.1
```

3. Check PTP clock and timestamping capability:

```
# ethtool -T eth1
Time stamping parameters for eth1:
Capabilities:
    hardware-transmit      (SOF_TIMESTAMPING_TX_HARDWARE)
    software-transmit      (SOF_TIMESTAMPING_TX_SOFTWARE)
    hardware-receive       (SOF_TIMESTAMPING_RX_HARDWARE)
    software-receive       (SOF_TIMESTAMPING_RX_SOFTWARE)
    software-system-clock  (SOF_TIMESTAMPING_SOFTWARE)
    hardware-raw-clock     (SOF_TIMESTAMPING_RAW_HARDWARE)
PTP Hardware Clock: 1
Hardware Transmit Timestamp Modes:
    off                    (HWTSTAMP_TX_OFF)
    on                    (HWTSTAMP_TX_ON)
Hardware Receive Filter Modes:
    none                  (HWTSTAMP_FILTER_NONE)
    all                   (HWTSTAMP_FILTER_ALL)
    ptpv1-l4-event       (HWTSTAMP_FILTER_PTP_V1_L4_EVENT)
    ptpv1-l4-sync        (HWTSTAMP_FILTER_PTP_V1_L4_SYNC)
    ptpv1-l4-delay-req   (HWTSTAMP_FILTER_PTP_V1_L4_DELAY_REQ)
    ptpv2-l4-event       (HWTSTAMP_FILTER_PTP_V2_L4_EVENT)
    ptpv2-l4-sync        (HWTSTAMP_FILTER_PTP_V2_L4_SYNC)
    ptpv2-l4-delay-req   (HWTSTAMP_FILTER_PTP_V2_L4_DELAY_REQ)
    ptpv2-event          (HWTSTAMP_FILTER_PTP_V2_EVENT)
    ptpv2-sync           (HWTSTAMP_FILTER_PTP_V2_SYNC)
    ptpv2-delay-req     (HWTSTAMP_FILTER_PTP_V2_DELAY_REQ)
```

4. Run ptp4l on two boards:

```
ptp4l -i eth1 -p /dev/ptp1 -m -2
```

5. After running, one board would be automatically selected as the master, and the slave board would print synchronization messages.

6. For 802.1AS testing, just use the configuration file `gPTP.cfg` in linuxptp source. Run the below command on the boards, instead:

```
ptp4l -i eth1 -p /dev/ptp1 -f /etc/ptp4l_cfg/gPTP.cfg -m
```

Or use GenAVB/TSN Stack with the following command: `'avb.sh start'`. Note that the configuration file `/etc/genavb/fgptp.cfg` is automatically used.

NOTE

i.MX 8M Plus current dwmac driver (eth1) initializes few hardware functions while opening net device, including PTP initialization. Before that, the operations such as ethtool queries, and PTP operations might not work. So, the workaround is to do operations on the eth1 and PTP of dwmac only after "ifconfig eth1 up".

4.1.3.3 Qbv

1. Enable the ptp device, and get the current ptp time.

```
ptp4l -i eth1 -p /dev/ptp1 -m

#Get current time(seconds)
devmem2 0x30bf0b08
0x5E01F9B2
```

2. Get the basetime to be 2 minutes later.

```
#Basetime = (currenttime + 120) * 1000000000 = 1577187882000000000
```

3. Set time schedule, open queue 1 in 100 μ s and open queue 2 in 100 μ s.

```
tc qdisc replace dev eth1 parent root handle 100 taprio \
  num_tc 5 map 0 1 2 3 4 queues 1@0 1@1 1@2 1@3 1@4 base-time 1577187882000000000 \
  sched-entry S 1 100000 \
  sched-entry S 2 100000 \
  sched-entry S 4 100000 flags 2
```

4. Send two streams into queue 1 and queue 2.

```
/home/root/samples/pktgen/pktgen_twoqueue.sh -i eth1 -q 1 -s 1000 -n 0 -m 90:e2:ba:ff:ff:ff
```

5. Capture the streams on TestCenter, 100 μ s queue 1 frames (length=1004) and 100 μ s queue 2 frames (length=1504) will be got. Or if the Ethernet port is connected to another board, the frames can be captured on that board by using Linux tcpdump command as shown below:

```
tcpdump -i eth0 -e -n -t -xx -c 10000 -w tsn.pcap
```

Then Wireshark can be used to analyze the pcap file on host PC.

NOTE

- More than one entry needs to be set on each tc taprio command.
- Use "devmem2 0x30bf0c58" to get Qbv status and check if qbv status is active. refer to MTL_EST_Status register.

4.1.3.4 Qbu

1. Using ethtool to enable Qbu on eth1, set queue 2 to be preemptable.

```
ethtool --set-frame-preemption eth1 preemptible-queues-mask 0x04 min-frag-size 60
```

NOTE

Once Qbu enabled, queue 0 is always preemptable queue.

2. Send two streams into queue 1 and queue 2.

```
/home/root/samples/pktgen/pktgen_twoqueue.sh -i eth1 -q 1 -s 150 -n 0 -m 90:e2:ba:ff:ff:ff
```

3. Capture the mPacket on Spirent TestCenter. Users can observe that Q2 frames are preempted into fragments.

NOTE

Spirent TestCenter can capture the preamble of mPacket. Refer to *Section 99.3, "MAC Merge Packet (mPacket)"* of IEEE standard for Ethernet 802.3-2018 for the mPacket format.

- Below is an example mPacket that contains an express packet, which has SMD value of 0xD5.

No.	Time	Source	Destination	Protocol	Length	Info
2228	0.011866000				162	
2229	0.011868920				162	
2230	0.011872370				162	
2231	0.011912420				1268	
2232	0.011922660				162	
2233	0.011924050				256	
2234	0.011926200				100	
2235	0.011927090				162	

> Frame 2230: 162 bytes on wire (1296 bits), 162 bytes captured (1296 bits)

▼ User encapsulation not handled: DLT=147, check your Preferences->Protocols->DLT_USEF

 > [Expert Info (Warning/Undecoded): User encapsulation not handled: DLT=147, check

▼ Data (162 bytes)

 Data: 5555555555555555d590e2baffff00e00c020b0108004500008808b500002011cb740000...

 Length: 162

0000	55 55 55 55 55 55 55 d5	90 e2 ba ff ff ff 00 e0	UUUUUUU·
0010	0c 02 0b 01 08 00 45 00	00 88 08 b5 00 00 20 11E·
0020	cb 74 00 00 00 00 c6 12	00 2a 00 12 00 09 00 74	·t..... *.....t
0030	00 00 be 9b e9 55 00 00	08 b6 00 00 00 00 00 00U·
0040	00 00 00 00 00 00 00 00	00 00 00 00 00 00 00 00

- Below is an example mPacket containing an initial fragment of a preemptable packet, which has SMD-S1 value of 0x4C.

4. User can also check the below counter for the number of fragments transmitted.

```
ethtool -S eth1 | grep "mmc_tx_fpe_fragment_cntr"
```

5. Qbu combined with Qbv test

Once a queue is set to preemptable queue and the gate open/close is invalid in Qbv gate control list, the queue is considered as always "Open". Use **Hold/Release** to control all preemptable queues. When the GCL entry is set from **Hold** to **Release**, preemptable queues begin transmitting. When GCL entry is set from Release to Hold, preemptable queues are held.

```
tc qdisc replace dev eth1 parent root handle 100 taprio \
  num_tc 5 map 0 1 2 3 4 queues 1@0 1@1 1@2 1@3 1@4 base-time 1577187882000000000 \
  sched-entry H 2 100000 \
  sched-entry R 4 100000 flags 2
```

4.1.3.5 Qav

1. Set a queue map handle.

```
tc qdisc add dev eth1 root handle 1: mqprio num_tc 5 map 0 1 2 3 4
```

2. Set bandwidth of queue 3 to be 20Mbps

```
tc qdisc replace dev eth1 parent 1:4 cbs locredit -1470 hicredit 30 sendslope -980000 idleslope 20000
offload 1
```

3. Send a stream into queue 3

```
/home/root/samples/pktgen/pktgen_sample01_simple.sh -i eth1 -q 3 -s 500 -n 3000
```

4. Get the result, bandwidth is 19Mbps.

```
WARN : Missing destination MAC address
WARN : Missing destination IP address
Running... ctrl^C to stop
Done
Result device: eth1
Params: count 3000 min_pkt_size: 500 max_pkt_size: 500
  frags: 0 delay: 0 clone_skb: 0 ifname: eth1
  flows: 0 flowlen: 0
  queue_map_min: 3 queue_map_max: 3
  dst_min: 198.18.0.42 dst_max:
  src_min:   src_max:
  src_mac: a6:85:82:fc:89:bf dst_mac: 02:5d:ae:ba:e0:00
  udp_src_min: 9 udp_src_max: 109 udp_dst_min: 9 udp_dst_max: 9
  src_mac_count: 0 dst_mac_count: 0
  Flags: UDPSRC_RND NO_TIMESTAMP QUEUE_MAP_RND
Current:
  pkts-sofar: 3000 errors: 0
  started: 5631940023us stopped: 5632560030us idle: 79984us
  seq_num: 3001 cur_dst_mac_offset: 0 cur_src_mac_offset: 0
  cur_saddr: 0.0.0.0 cur_daddr: 198.18.0.42
  cur_udp_dst: 9 cur_udp_src: 41
  cur_queue_map: 3
  flows: 0
Result: OK: 620007(c540023+d79984) usec, 3000 (500byte,0frags)
4838pps 19Mb/sec (19352000bps) errors: 0
```

5. Set bandwidth of queue 4 to be 40Mbps

```
tc qdisc replace dev eth1 parent 1:5 cbs locredit -1440 hicredit 60 sendslope -960000 idleslope 40000
offload 1
```

6. Send a stream into queue 4 and get the result.

```
/home/root/samples/pktgen/pktgen_sample01_simple.sh -i eth1 -q 4 -s 500 -n 3000
WARN : Missing destination MAC address
WARN : Missing destination IP address
Running... ctrl^C to stop
Done
Result device: eth1
Params: count 3000 min_pkt_size: 500 max_pkt_size: 500
  frags: 0 delay: 0 clone_skb: 0 ifname: eth1
  flows: 0 flowlen: 0
  queue_map_min: 4 queue_map_max: 4
  dst_min: 198.18.0.42 dst_max:
  src_min: src_max:
  src_mac: a6:85:82:fc:89:bf dst_mac: 02:5d:ae:ba:e0:00
  udp_src_min: 9 udp_src_max: 109 udp_dst_min: 9 udp_dst_max: 9
  src_mac_count: 0 dst_mac_count: 0
  Flags: UDPSRC_RND NO_TIMESTAMP QUEUE_MAP_RND
Current:
  pkts-sofar: 3000 errors: 0
  started: 6113136017us stopped: 6113443758us idle: 38457us
  seq_num: 3001 cur_dst_mac_offset: 0 cur_src_mac_offset: 0
  cur_saddr: 0.0.0.0 cur_daddr: 198.18.0.42
  cur_udp_dst: 9 cur_udp_src: 17
  cur_queue_map: 4
  flows: 0
Result: OK: 307741(c269283+d38457) usec, 3000 (500byte,0frags)
  9748pps 38Mb/sec (38992000bps) errors: 0
```

7. Send two streams into queue 3 and queue 4

```
/home/root/samples/pktgen/pktgen_twoqueue.sh -i eth1 -q 3 -s 1500 -n 0
```

8. Capture the streams on test center, the frames sort by one Q3 frame and two Q4 frames

4.1.4 TSN on LS1028A

The **tsntool** is an application configuration tool to configure the TSN capability on LS1028ARDB. The files **/usr/bin/tsntool** and **/usr/lib/libtsn.so** are located in the rootfs. Run **tsntool** to start the setting shell.

4.1.4.1 TSN configuration on ENETC

The **tsntool** is an application configuration tool to configure the TSN capability. Users can find the files **/usr/bin/tsntool** and **/usr/lib/libtsn.so** in the rootfs. Run **tsntool** to start the setting shell. The following sections describe the TSN configuration examples on the ENETC Ethernet driver interfaces.

Before testing the ENETC TSN test cases, you must enable **mcprio** by using the command below:

```
tc qdisc add dev eno0 root handle 1: mcprio num_tc 8 map 0 1 2 3 4 5 6 7 hw 1
```

4.1.4.1.1 Clock synchronization

To test 1588 synchronization on ENETC interfaces, use the following procedure:

1. Connect ENETC interfaces on two boards in a back-to-back manner. (For example, eno0 to eno0.)

The linux booting log is as follows:

```
...
pps pps0: new PPS source ptp0
...
```

2. Check PTP clock and timestamping capability:

```
# ethtool -T eno0
Time stamping parameters for eno0:
Capabilities:
  hardware-transmit      (SOF_TIMESTAMPING_TX_HARDWARE)
  hardware-receive      (SOF_TIMESTAMPING_RX_HARDWARE)
  hardware-raw-clock     (SOF_TIMESTAMPING_RAW_HARDWARE)
PTP Hardware Clock: 0
Hardware Transmit Timestamp Modes:
  off      (HWTSTAMP_TX_OFF)
  on       (HWTSTAMP_TX_ON)
Hardware Receive Filter Modes:
  none     (HWTSTAMP_FILTER_NONE)
  all      (HWTSTAMP_FILTER_ALL)
```

3. Configure the IP address and run ptp4l on two boards:

```
# ifconfig eno0 <ip_addr>
# ptp4l -i eno0 -p /dev/ptp0 -m
```

- After running, one board would be automatically selected as the master, and the slave board would print synchronization messages.
- For 802.1AS testing, just use the configuration file `gPTP.cfg` in `linuxptp` source. Run the below command on the boards, instead:

```
# ptp4l -i eno0 -p /dev/ptp0 -f /etc/ptp4l_cfg/gPTP.cfg -m
```

4.1.4.1.2 Qbv

This test includes the Basic Gates Closing test, Basetime test, and the `Qbv` performance test. These are described in the following sections.

4.1.4.1.2.1 Basic gates closing

The commands below describe the steps for closing the basic gates:

```
cat > qbv0.txt << EOF
t0      00000000b          20000
EOF
```

```
#Explanation:
# 'NUMBER'      :      t0
# 'GATE_VALUE'  :      00000000b
# 'TIME_LONG'   :      20000 ns
```

```
tsntool
tsntool> verbose
tsntool> qbvset --device eno0 --entryfile ./qbv0.txt
```

```
ethtool -S eno0
ping 192.168.0.2 -c 1 #Should not pass any frame since gates are all off.
```

4.1.4.1.2.2 Basetime test

Base on case 1 qbv1.txt gate list.

```
#create 1s gate
cat > qbv1.txt << EOF
t0 11111111b      10000
t1 00000000b      99990000
EOF

#ENETC Qbv basetime can be set any past time or future time.
#For the past time, hardware calculate by:
#   effective-base-time = base-time + N x cycle-time
#where N is the smallest integer number of cycles such that effective-base-time >= now.
#If you want a future time, you can get current time by:

tsntool> ptptool -g

#Below example shows basetime start at 260.666 s (start of 1 January 1970):

tsntool> qbvset --device eno0 --entryfile qbv1.txt --basetime 260.666
tsntool> qbvget --device eno0 #User can check configchange time
tsntool> regtool 0 0x11a10 #Check pending status, 0x1 means time gate is working

#Waiting to change state, ping remote computer
ping 192.168.0.2 -A -s 1000

#The reply time will be about 100 ms
```

Since 10000 ns is the maximum limit for package size 1250 B.

```
ping 192.168.0.2 -c 1 -s 1300 #frame should not pass
```

4.1.4.1.2.3 Qbv performance test

Use the setup described in the figure below for testing ENETC port0 (MAC0).

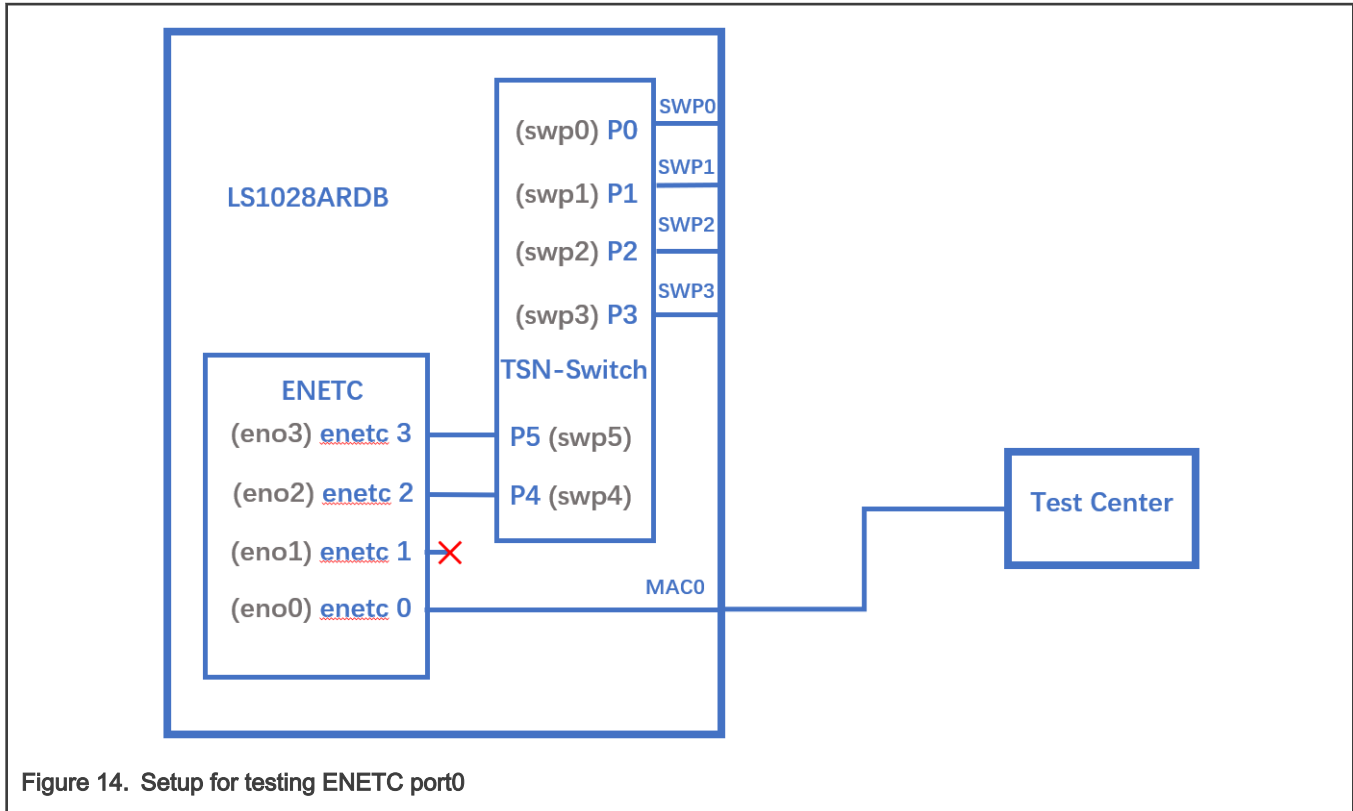


Figure 14. Setup for testing ENETC port0

NOTE

Test Center is a device to capture streams from enetc0 of LS1028ARDB board. Users can use another board to capture streams by using tcpdump command and then use Wireshark to analyze it.

```
cat > qbv5.txt << EOF
t0 11111111b 1000000 t1 00000000b 1000000
EOF
qbvset --device eno0 --entryfile qbv5.txt
/home/root/samples/pktgen/pktgen_twoqueue.sh -i eno0 -q 3 -n 0
#The stream would get about half line rate
```

4.1.4.1.2.4 Using taprio Qdisc Setup Qbv

LS1028ardb support the taprio qdisc to setup Qbv either. Below is an example Setup.

```
#Qbv test do not require the mqprio setting.
# If mqprio is enabled, try to disable it by below command:
tc qdisc del dev eno0 root handle 1: mqprio

# Enable the Qbv for ENETC eno0 port
# Below command set eno0 with gate 0x01, means queue 0 open, the other queues gate close.
tc qdisc replace dev eno0 parent root handle 100 taprio num_tc 8 map 0 1 2 3 4 5 6 7 queues 1@0 1@1
1@2 1@3 1@4 1@5 1@6 1@7 base-time 0 sched-entry S 01 300000 flags 0x2
# Ping through eno0 port should be ok

# Then close the gate queue 0. Open gate queue 1. The other queues gate close.
tc qdisc replace dev eno0 parent root handle 100 taprio num_tc 8 map 0 1 2 3 4 5 6 7 queues 1@0 1@1
1@2 1@3 1@4 1@5 1@6 1@7 base-time 0 sched-entry S 02 300000 flags 0x2
# Ping through eno0 port should be dropped
```

```
#Disable the Qbv for ENETC eno0 port as below
tc qdisc del dev eno0 parent root handle 100 taprio
```

4.1.4.1.3 Qbu

- If user has two LS1028ARDB boards, then link the two eno0 ports back to back. In this case, the test does not need the switch to be set up. Users can omit the steps 2,3, and 4 and just perform steps 1,5, and 6.
- If user has only one board, user can set the frame path from eno0 to switch by linking enetc ports MAC0 - SWP0. The setup enables the switch SWP0 port merging capability. Then enetc eno0 could show the preemption capability. Use the setup as shown in the following figure for the Qbu test.

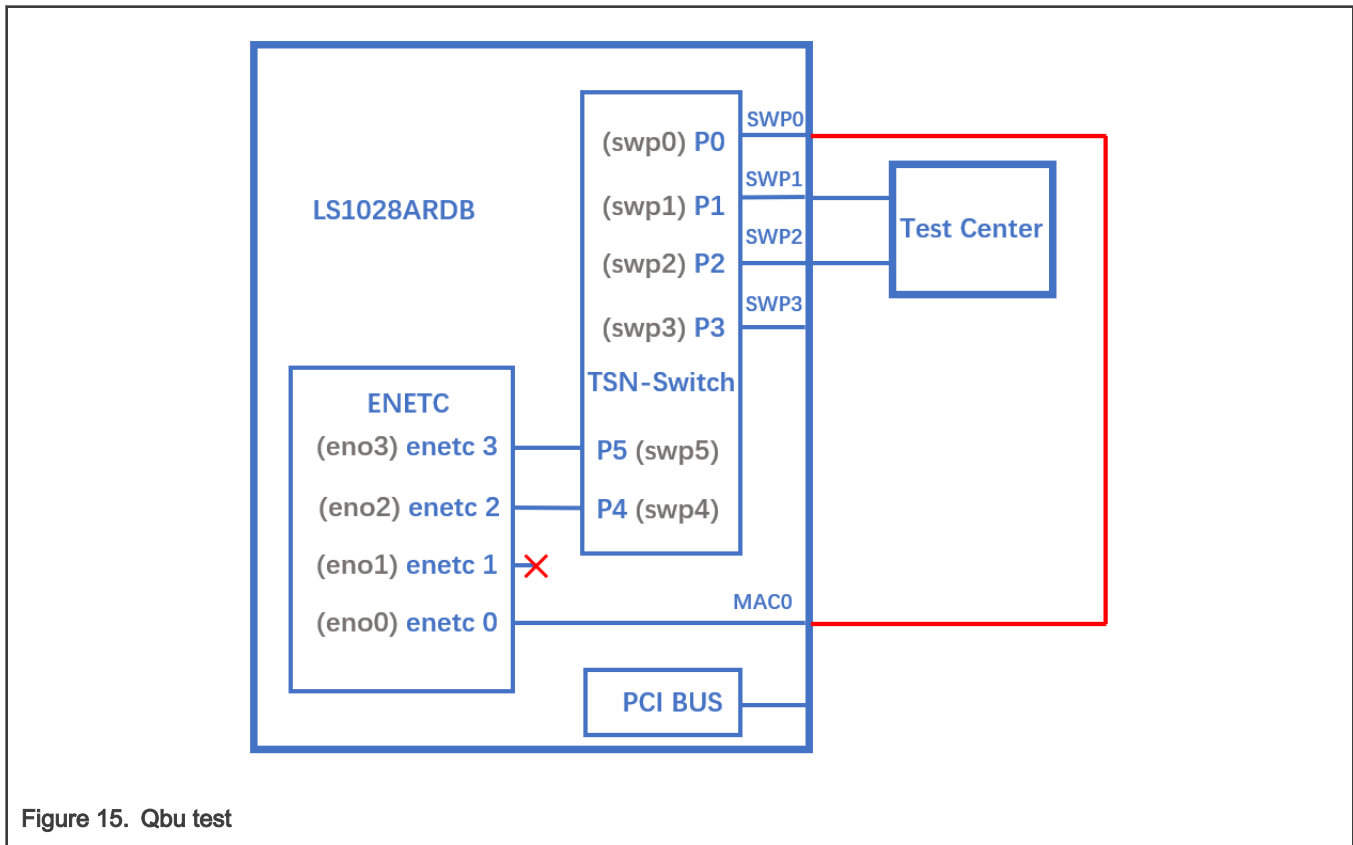


Figure 15. Qbu test

Before linking the cable between ENETC port0 to SWP0, set up the switch up (refer the [Switch configuration](#)) and set IP for ENETC port0. To make sure the ENETC port0 is linked to SWP0, use the steps below:

1. Do not forget to enable the priority for each traffic class:

```
tc qdisc add dev eno0 root handle 1: mqprio num_tc 8 map 0 1 2 3 4 5 6 7 hw 1
```

2. Make sure link speed is 1 Gbps by using the command:

```
ethtool eno0
```

3. If it is not 1Gbps, set it to 1 Gbps by using the command:

```
ethtool -s swp0 speed 1000 duplex full autoneg on
```

4. Set the switch to enable merge(or user can link to another merge capability port in another board):

```
devmem2 0x1fc100048 w 0x111 #DEV_GMII:MM_CONFIG:ENABLE_CONFIG
```

5. ENETC port setting set and frame preemption test

```
ip link set eno0 address 90:e2:ba:ff:ff:ff
tsntool qbuset --device eno0 --preemptable 0xfe
/home/root/samples/pktgen/pktgen_twoqueue.sh -i eno0 -q 0 -s 100 -n 20000 -m 90:e2:ba:ff:ff:ff
```

pktgen would fluding frames on TC0 and TC1.

6. Check the TX merge counter, if it has a non-zero value, it indicates that the Qbu is working.

```
tsntool regtool 0 0x11f18
```

NOTE

0x11f18 counting the merge frame count:

```
0x11f18 Port MAC Merge Fragment Count TX Register (MAC_MERGE_MMFCTXR)
```

LS1028ARDB also supports ethtool setup the preemption as example:

```
ethtool --set-frame-preemption eno0 preemptible-queues-mask 0xfe
```

This implies that we can get same result by using TC0 to pass express MAC and TC1~TC7 to pass preemptable MAC.

4.1.4.1.4 Qci

Use the following as the background setting:

- Set eno0 MAC address

```
ip link set eno0 address 10:00:80:00:00:00
```

Opposite port MAC address **99:aa:bb:cc:dd:ee** as frame provider as example.

- Use the figure below as the hardware setup.

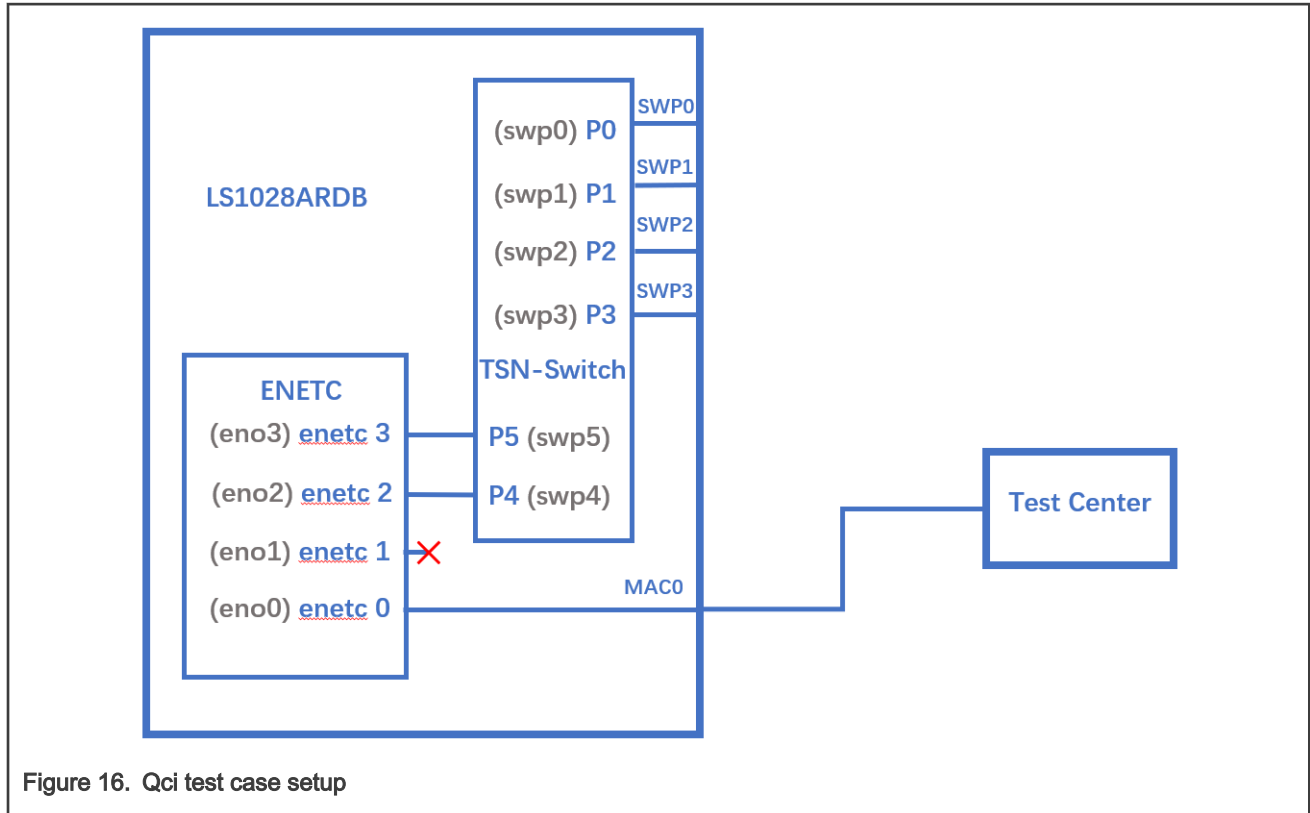


Figure 16. Qci test case setup

Note: Test Center is a device to send streams to enetc0 of LS1028ardb board. User also can use another board to send streams.

4.1.4.1.4.1 Test SFI No Streamhandle

Qci PSFP can work for the streams without stream identify module which means streams without mac address and vid filter. Such kind of filter setting always set larger index number stream filter entry. Those frames won't be filtered then flow into this stream filter entry.

Below example test no streamhandle in a stream filter, set on stream filter entry index 2 with a gate stream entry id 2. Then none stream identifies frames would flow into the stream filter entry index 2 then pass the gate entry index 2, as shown in the following example:

```
tsntool> qcisfiset --device eno0 --index 2 --gateid 2
```

- Streams no streamhandle should pass this filter.

```
tsntool> qcisfiget --device eno0 --index 2
```

- Send a frame from the opposite device port (ping for example).

```
tsntool> qcisfiget --device eno0 --index 2
```

- Set Stream Gate entry 2

```
tsntool> qcisgiset --device eno0 --index 2 --initgate 1
```

- Send a frame from the opposite device port.

```
tsntool> qcisfiget --device eno0 --index 2
```

- Set Stream Gate entry 2, gate closes permanently.

```
tsntool> qcisgiset --device eno0 --index 2 --initgate 0
```

- Send a frame from the opposite device port.

```
tsntool> qcisfiget --device eno0 --index 2

#The result should look like below:
match pass gate_drop sdu_pass sdu_drop red
  1   0   1       1       0       0
```

4.1.4.1.4.2 Testing null stream identify entry

Null stream identify in stream identify module means try to filter as destination mac address and vlan id.

Following steps shows stream identify entry index 1 set with filtering destination mac address is 10:00:80:00:00:00, vlan id ignored(with or without vlan id). Then stream filter set on the entry index 1 with stream gate index entry id 1.

1. Set main stream by close gate.
2. Set Stream identify Null stream identify entry 1.

```
tsntool> cbstreamidset --device eno0 --index 1 --nullstreamid --nulldmac
0x0000000800010 --nulltagged 3 --nullvid 10 --streamhandle 100
```

3. Get stream identify entry index 1.

```
tsntool> cbstreamidget --device eno0 --index 1
```

4. Set Stream filter entry 1 with stream gate entry id 1.

```
tsntool> qcisfiset --device eno0 --streamhandle 100 --index 1 --gateid 1
```

5. Set Stream Gate entry 1, keep gate state close (all frames dropped. return directly if ask user for editing gate list).

```
tsntool> qcisgiset --device eno0 --index 1 --initgate 0
```

6. Send one frame from the opposite device port should pass to the close gate entry id 1.

```
tsntool> qcisfiget --device eno0 --index 1
```

7. The result should look like the output below:

```
match pass gate_drop sdu_pass sdu_drop red
  1  0  1  1  0  0
```

4.1.4.1.4.3 Testing source stream identify entry

Source stream identify means stream identify the frames by the source mac address and vlan id.

Use the following steps for this test:

1. Keep Stream Filter entry 1 and Stream gate entry 1.
2. Add stream2 in opposite device port: SMAC is 66:55:44:33:22:11 DMAC:20:00:80:00:00:00 (Not with destination mac address 10:00:80:00:00:00 which stream identify entry index 1 is filtering that dmac address)

3. Set Stream identify Source stream identify entry 3

```
tsntool> cbstreamidset --device eno0 --index 3 --sourcemacvid --sourcemac 0x112233445566 --
sourcetagged 3 --sourcevid 20 --streamhandle 100
```

4. Send frame from opposite device port. The frame passes to stream filter index 1.

```
tsntool> qcisfiget --device eno0 --index 1
```

4.1.4.1.4.4 SGI stream gate list

Use the command below for this test:

```
cat > sgil.txt << EOF
t0 0b -1 100000000 0
t1 1b -1 100000000 0
EOF
tsntool> qcisfiset --device eno0 --index 2 --gateid 2
tsntool> qcisgiset --device eno0 --index 2 --initgate 1 --gatelistfile sgil.txt

#flooding frame size 64bytes from opposite device port.(iperf or netperf as example)
tsntool> qcisfiget --device eno0 --index 2
```

Check the frames dropped and passed, they should be the same since stream gate list is setting 100ms open and 100ms close periodically.

4.1.4.1.4.5 FMI test

Only send green color frames(Normally it is the TCI bit value in 802.1Q tag). Flooding the stream against the eno0 port speed to 10000kbps/s:

```
tsntool> qcisfiset --device eno0 --index 2 --gateid 2 --flowmeterid 2
tsntool> qcifmiset --device eno0 --index 2 --cm --cf --cbs 1500 --cir 5000 --ebs 1500 --eir 5000
```

'cm' parameter set color mode enable means frames separate green frames and yellow frames judged by the TCI bit in frame. Or else, any frames are green frames.

'cf' parameter set the coupling flag enable. When CF is set to 0, the frames that are declared yellow is bounded by EIR. When CF is set to 1, the frames that are declared Yellow is bounded by CIR + EIR depending on volume of the offered frames that are declared Green.

After upper commands setup, since green frames not larger than EIR + CIR 10Mbit/s. So the green frame would not be dropped.

The below setting shows the dropped frames:

```
tsntool> qcifmiset --device eno0 --index 2 --cm --cf --cbs 1500 --cir 5000 --ebs 1500 --eir 2000
```

This case makes the green frames pass 5Mbit/s in CIR, then it pass to the EIR space, but EIR is 2Mbit/s, so total EIR + CIR 7Mbit/s still not qualify the total 10Mbit/s bandwidth. So green frame would be dropped part.

To get information of color frame counters showing at application layer, use the code as in the below example:

```
tsntool> qcifmiget --device eno0 --index 2
=====
bytecount drop dr0_green dr1_green dr2_yellow remark_yellow dr3_red remark_red
1c89 0 4c 0 0 0 0 0
=====
index = 2
cir = c34c
```



```
cbs = 5dc
eir = 4c4b3c
ebs = 5dc
couple flag
color mode
```

4.1.4.1.5 Qav

4.1.4.1.5.1 Using tsntool

The following figure illustrates the hardware setup diagram for the Qav test.

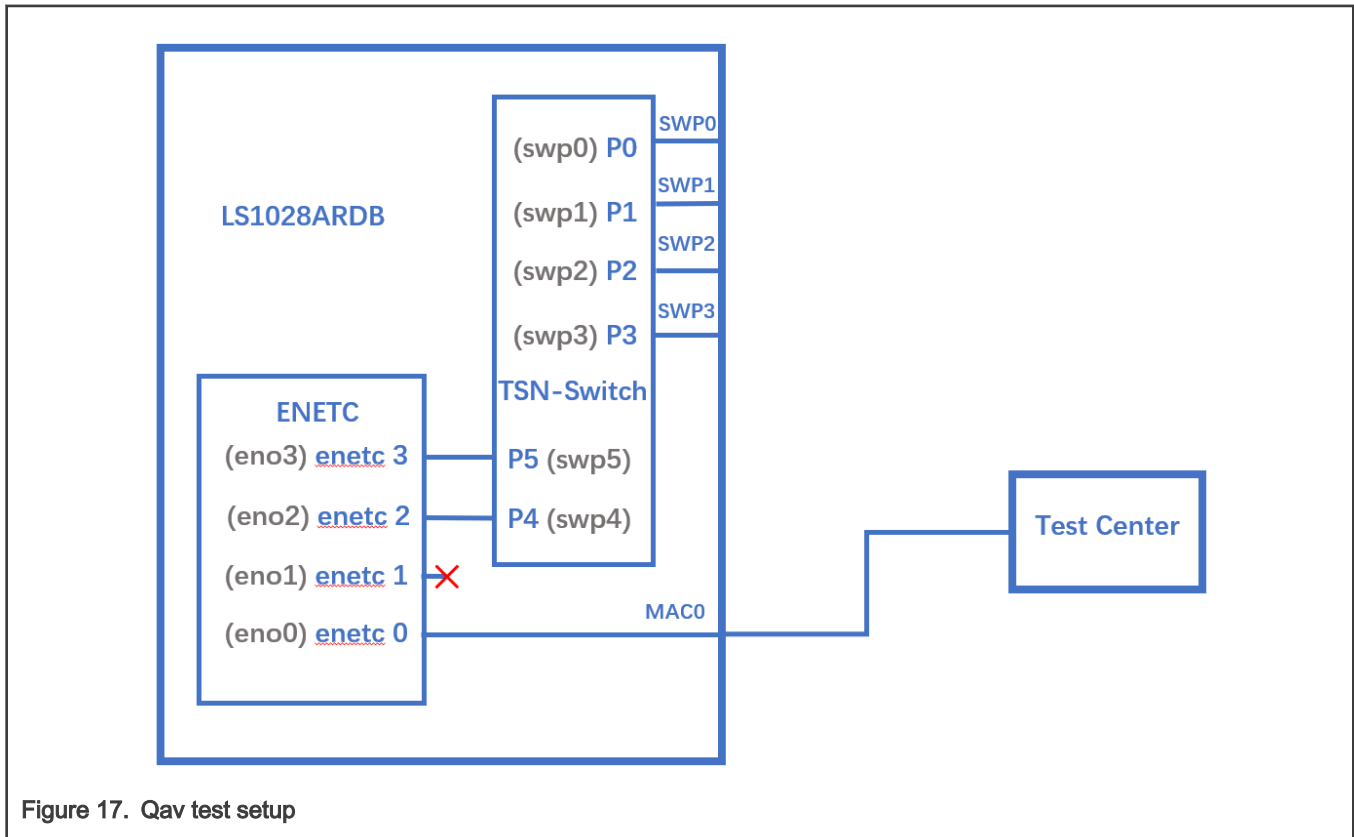


Figure 17. Qav test setup

Note: Test Center is a device to capture streams from enetc0 of LS1028ardb board. User also can use another board to capture streams by using "tcpdump", and using Wireshark to analyze it.

0. Don't forget to enabling the priority for each traffic class:

```
tc qdisc add dev eno0 root handle 1: mqprio num_tc 8 map 0 1 2 3 4 5 6 7 hw 1
```

1. Run the following commands:

```
tsntool cbsset --device eno0 --tc 7 --percentage 60
tsntool cbsset --device eno0 --tc 6 --percentage 20
```

2. Check each queue bandwidth (pktgen require enabling NET_PKTGEN in kernel)

```
/home/root/samples/pktgen/pktgen_sample01_simple.sh -i eno0 -q 7 -s 500 -n 30000
```

wait seconds later to check result. It should get about 60% percentage line rate.

```
/home/root/samples/pktgen/pktgen_sample01_simple.sh -i eno0 -q 6 -s 500 -n 30000
```

Wait seconds later to check result. It should get about 20% percentage line rate.

4.1.4.1.5.2 Using CBS Qdisc to setup Qav

LS1028a supports the CBS qdisc to setup Credit-based Shaper. Below commands set CBS with 100 Mbit/s for queue 7 and 300 Mbit/s for queue 6.

```
tc qdisc add dev eno0 root handle 1: mqprio num_tc 8 map 0 1 2 3 4 5 6 7 hw 1
tc qdisc replace dev eno0 parent 1:8 cbs locredit -1350 hicredit 150 sendslope -900000 idleslope 100000 offload 1
tc qdisc replace dev eno0 parent 1:7 cbs locredit -1050 hicredit 950 sendslope -700000 idleslope 300000 offload 1
```

```
# Try to flood stream here (require kernel enable NET_PKTGEN)
/home/root/samples/pktgen/pktgen_sample01_simple.sh -i eno0 -q 7 -s 500 -n 20000
/home/root/samples/pktgen/pktgen_sample01_simple.sh -i eno0 -q 6 -s 500 -n 20000
tc qdisc del dev eno0 parent 1:7 cbs
tc qdisc del dev eno0 parent 1:8 cbs
```

4.1.4.2 TSN configuration on Felix switch

The following sections describe examples for the basic configuration of TSN switch.

4.1.4.2.1 Linux switch configuration

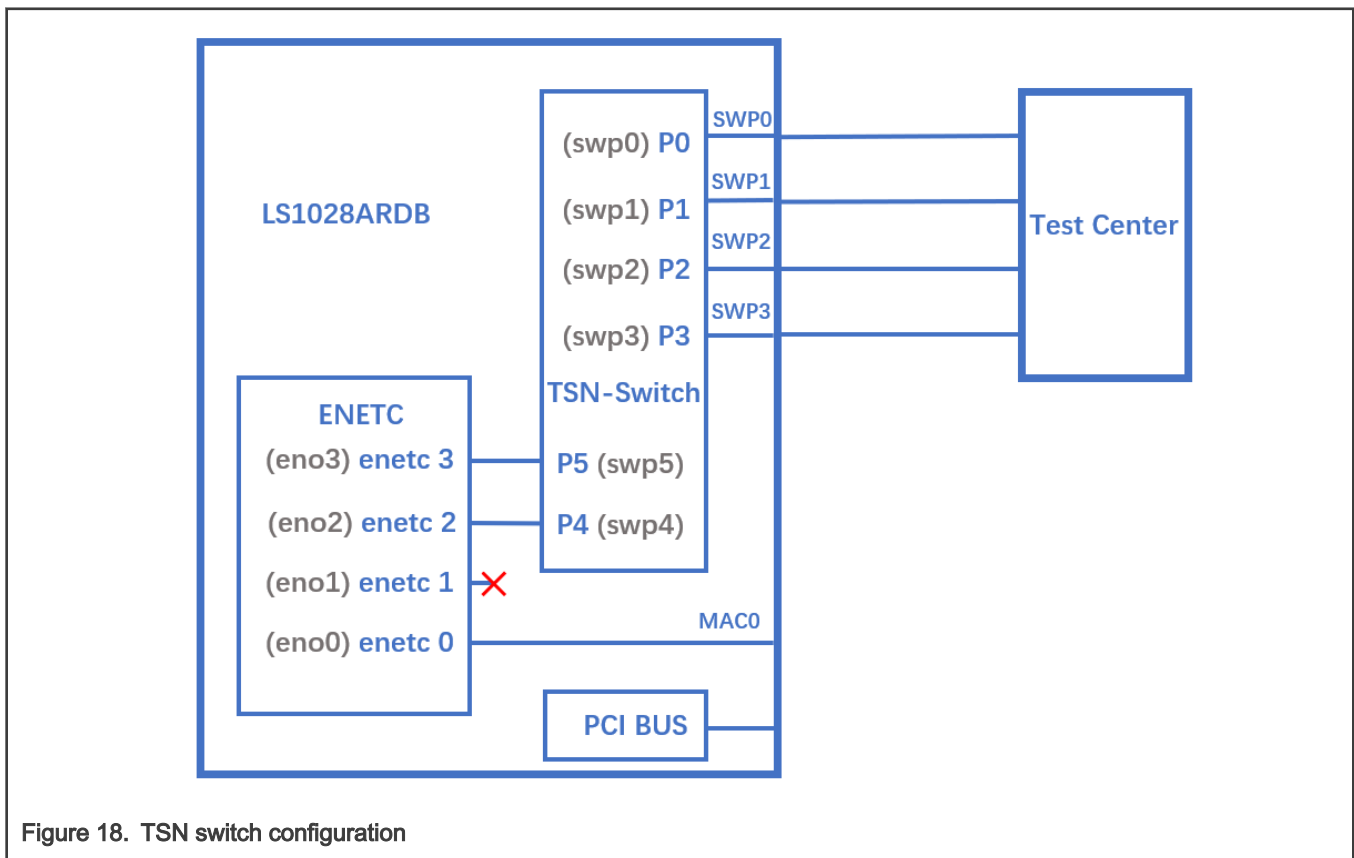


Figure 18. TSN switch configuration

Note: Test Center is a device to create streams(need 802.1Q Vlan tag) send to LS1028a switch and capture streams forwarded by LS1028a switch.

Use the following commands for configuring the switch on LS1028ARDB:

```
ls /sys/bus/pci/devices/0000:00:00.5/net/
```

Get switch device interfaces: swp0 swp1 swp2 swp3>

```
ifconfig eno2 up
ip link add name switch type bridge
ip link set switch up
ip link set swp0 master switch && ip link set swp0 up
ip link set swp1 master switch && ip link set swp1 up
ip link set swp2 master switch && ip link set swp2 up
ip link set swp3 master switch && ip link set swp3 up
```

4.1.4.2.2 Clock synchronization

To test 1588 synchronization on felix-switch interfaces, use the following procedure:

1. Connect two boards back-to-back with switch interfaces. For example, swp0 to swp0.

The Linux booting log is displayed below:

```
...
pps pps0: new PPS source ptp1
...
```

2. Check PTP clock and time stamping capability using the commands below:

```
$ ethtool -T swp0
Time stamping parameters for swp0:
Capabilities:
  hardware-transmit  (SOF_TIMESTAMPING_TX_HARDWARE)
  hardware-receive   (SOF_TIMESTAMPING_RX_HARDWARE)
  hardware-raw-clock (SOF_TIMESTAMPING_RAW_HARDWARE)
PTP Hardware Clock: 1
Hardware Transmit Timestamp Modes:
  off  (HWTSTAMP_TX_OFF)
  on   (HWTSTAMP_TX_ON)
Hardware Receive Filter Modes:
  none (HWTSTAMP_FILTER_NONE)
  all  (HWTSTAMP_FILTER_ALL)
```

3. Set switch ip on two board, and ping each other.

```
$ ifconfig switch 192.168.1.2 /* On board A */
$ ifconfig switch 192.168.1.3 /* On board B */
$ ping 192.168.1.3 /* On board A */
```

4. For 802.1AS testing, use the configuration file `gPTP.cfg` in `linuxptp` source. Run the below commands on the two boards instead.

```
$ ptp4l -i swp0 -p /dev/ptp1 -f /etc/ptp4l_cfg/gPTP.cfg -2 -m
```

Or use GenAVB/TSN Stack with the following command: `'avb.sh start'`. Note that the configuration file `/etc/genavb/fgptp-br.cfg` is automatically used.

Note: Clock synchronization must be run before Qbv is set. If Qbv is running, users Should disable and reconfigure Qbv after clock synchronization.

4.1.4.2.3 Qbv test setup for LS1028ARDB

The following figure describes the setup for Qbv test on LS1028ARDB.

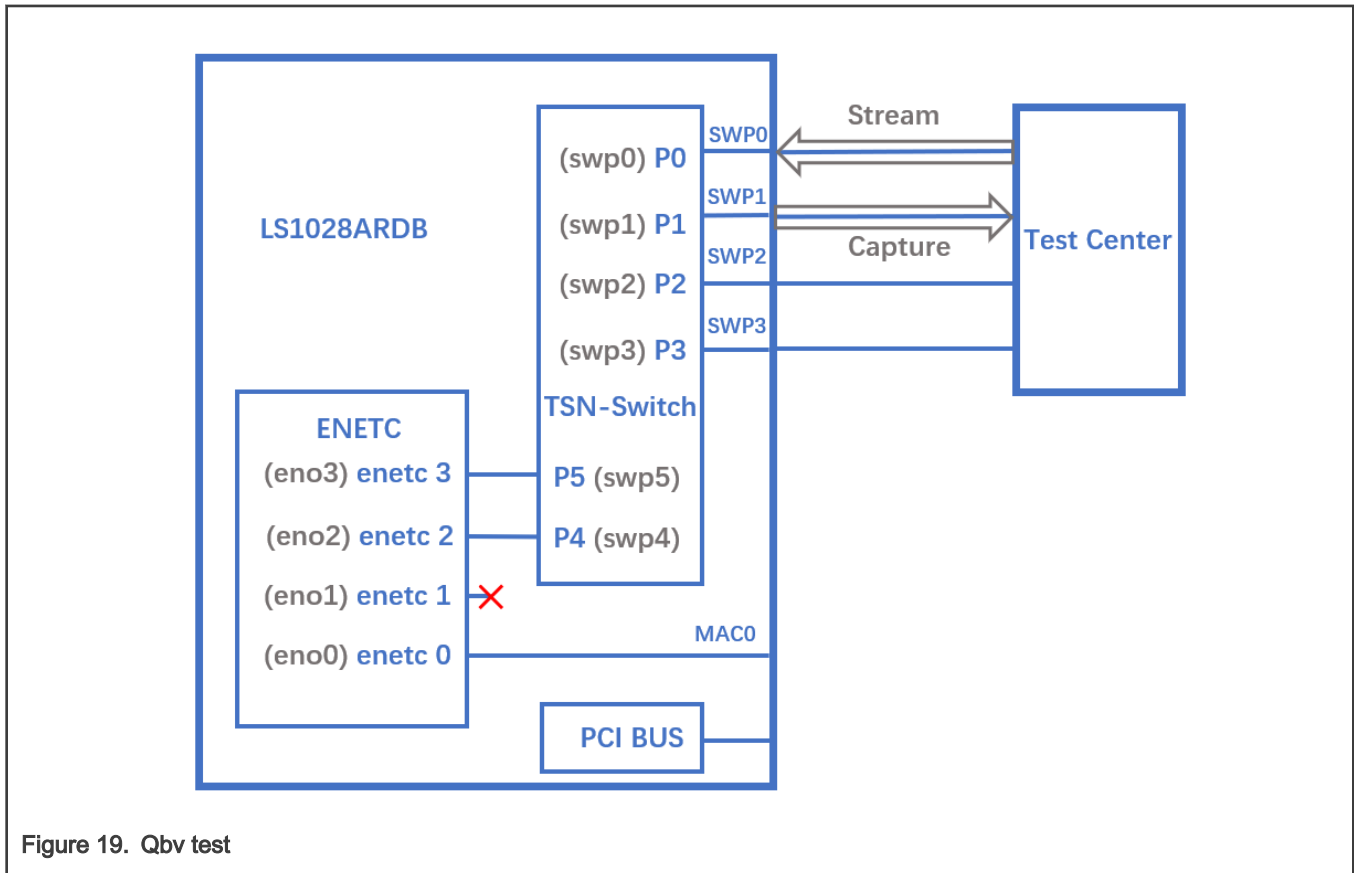


Figure 19. Qbv test

4.1.4.2.3.1 Tsntool usage

4.1.4.2.3.1.1 Closing basic gates

Use the set of commands below for basic gate closing.

```

echo "t0 00000000b 20000" > qbv0.txt
#Explanation:
# 'NUMBER'      : t0
# 'GATE_VALUE'  : 00000000b
# 'TIME_LONG'   : 20000 ns

./tsntool
tsntool> verbose
tsntool> qbvset --device swp1 --entryfile ./qbv0.txt

#Send one broadcast frame to swp0 from TestCenter.
ethtool -S swp1
#Should not get any frame from swp1 on TestCenter.

echo "t0 11111111b 20000" > qbv0.txt
tsntool> qbvset --device swp1 --entryfile ./qbv0.txt
    
```

```
#Send one broadcast frame to swp0 on TestCenter.
ethtool -S swp1
#Should get one frame from swp1 on TestCenter.
```

4.1.4.2.3.1.2 Basetime test

For the basetime test, first get the current second time:

```
#Get current time:
tsntool> ptptool -g -d /dev/ptp1

#add some seconds, for example user gets 200.666 time clock, then set 260.666 as result
tsntool> qbvset --device swp1 --entryfile ./qbv0.txt --basetime 260.666

#Send one broadcast frame to swp0 on the Test Center.
#Frame could not pass swp1 until time offset.
```

4.1.4.2.3.1.3 Qbv performance test

Use the following commands for the QBv performance test:

```
cat > qbv5.txt << EOF
t0 11111111b 1000000
t1 00000000b 1000000
EOF
qbvset --device swp1 --entryfile qbv5.txt
```

#Send 1G rate stream to swp0 on TestCenter.

#The stream would get about half line rate from swp1.

4.1.4.2.3.2 Tc-taprio usage

LS1028ARDB supports the taprio qdisc to setup Qbv either. Below is an example setup.

1. Enable the Qbv for swp1 port, set queue 1 gate open, set circle time to be 300 μ s.

```
tc qdisc replace dev swp1 parent root handle 100 taprio num_tc 8 map 0 1 2 3 4 5 6 7 \
    queues 1@0 1@1 1@2 1@3 1@4 1@5 1@6 1@7 base-time 0 sched-entry S 02 300000 flags 0x2
```

NOTE

Since the hardware can only use PCP, DSCP or other methods to classify Qos, it cannot map Qos to different hardware queues. mqprio is not implemented in the felix driver, so "map 0 1 2 3 4 5 6 7" in the tc-taprio command is invalid.

2. Send one frame with PCP=1 in vlan tag to swp0 from TestCenter, we will capture the frame from swp1.

3. Send one frame with PCP=2 in vlan tag to swp0 from TestCenter, gate is closed and we couldn't capture the frame from swp1.

4. Disable the Qbv for swp1 port as below

```
tc qdisc del dev swp1 parent root handle 100 taprio
```

4.1.4.2.4 Qbu

The figure below illustrates the setup for performing the Qbu test using the TSN switch.

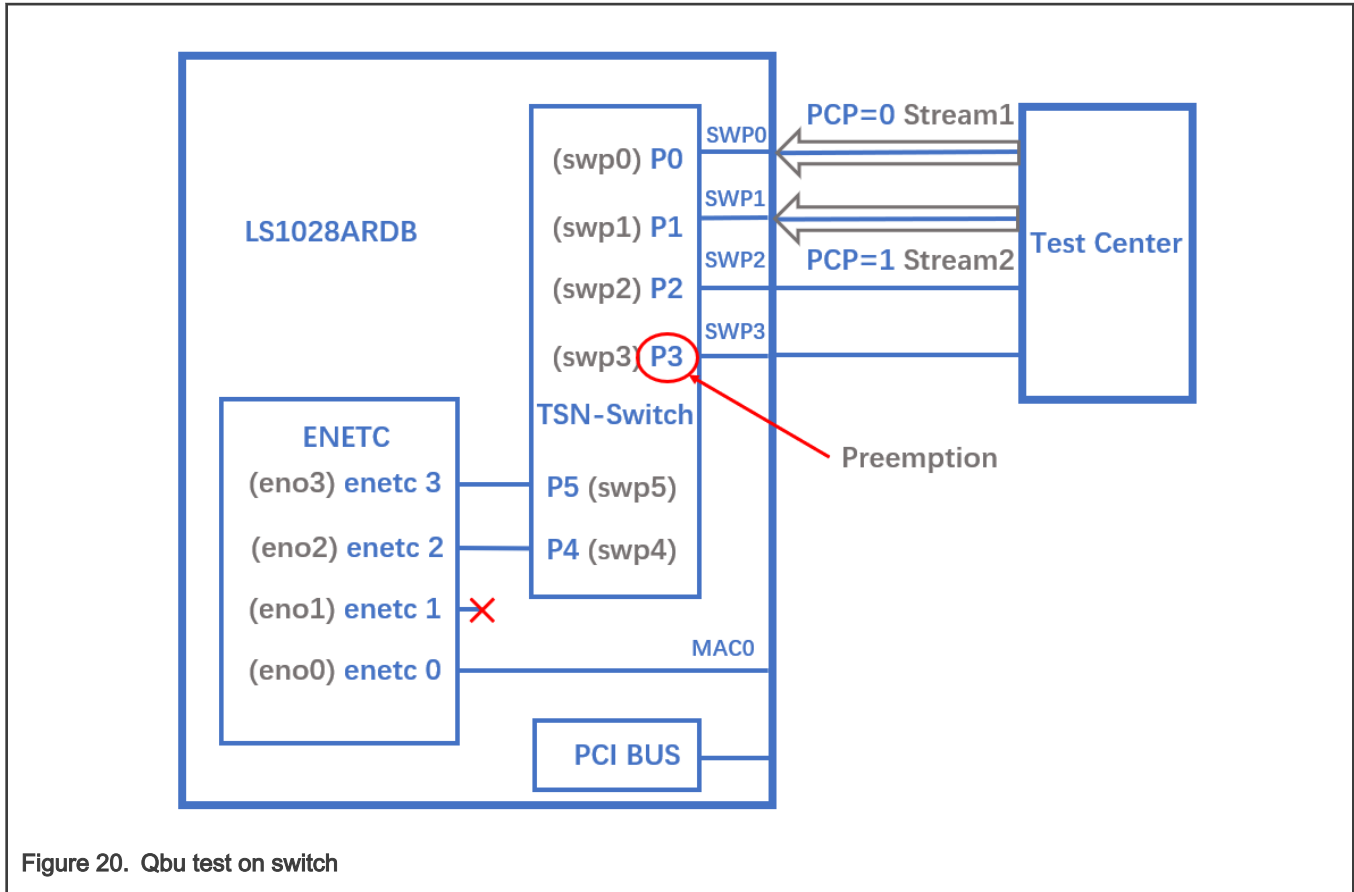


Figure 20. Qbu test on switch

4.1.4.2.4.1 Tsntool usage

1. Set queue 1 to be preemptable. There are two ways to set preemptable queues, users can choose tsntool or ethtool to set it.

```
#tsntool command to set preemptable queues:
tsntool> qbuset --device swp3 --preemptable 0x02
```

2. Send two streams from TestCenter, set packet size to be 1500Byte and bandwidth to be 1G, then check the number of additional mPackets transmitted by PMAC:

```
ethtool -S swp3 | grep tx_merge_fragments
```

3. Qbu combined with Qbv test.

Set queue 0 gate open 20us, queue 1 gate open 20us.

```
cat > qbv0.txt << EOF
t0 00000001b 200000
t1 00000010b 200000
EOF
qbvset --device swp3 --entryfile qbv0.txt
```

Send two streams from TestCenter, packets in queue 1 will be preempted when gate 1 closed

4.1.4.2.4.2 Ethtool usage

1. Set queue 1 to be preemptable. There are two ways to set preemptable queues, users can choose tsntool or ethtool to set it.

```
#ethtool command to set preemptable queues:
ethtool --set-frame-preemption swp3 preemptible-queues-mask 0x02 min-frag-size 124
```

Explanation:

- `preemptible-queues-mask`: A 8-bit vector which specifies preemptable queues within the 8 priorities (with bit-0 for priority-0 and bit-7 for priority-7).
 - `min-frag-size`: at least frame bytes have been transmitted in fragment, the minimum non-final fragment size is 64, 128, 192, or 256 octets (include 4 Bytes fragment header).
2. Send two streams from TestCenter, set packet size to be 1500Byte and bandwidth to be 1G, then check the number of additional mPackets transmitted by PMAC:

```
ethtool -S swp3 | grep tx_merge_fragments
```

3. Qbu combined with Qbv test.

Set queue 0 gate open 20us, queue 1 gate open 20us.

```
tc qdisc replace dev swp3 parent root handle 100 taprio num_tc 8 map 0 1 2 3 4 5 6 7 \
  queues 1@0 1@1 1@2 1@3 1@4 1@5 1@6 1@7 base-time 0 \
    sched-entry S 01 200000 \
    sched-entry S 02 200000 flags 0x2
```

Send two streams from TestCenter, packets in queue 1 will be preempted when gate 1 closed

4.1.4.2.5 Qci

The figure below illustrates the Qci test case setup.

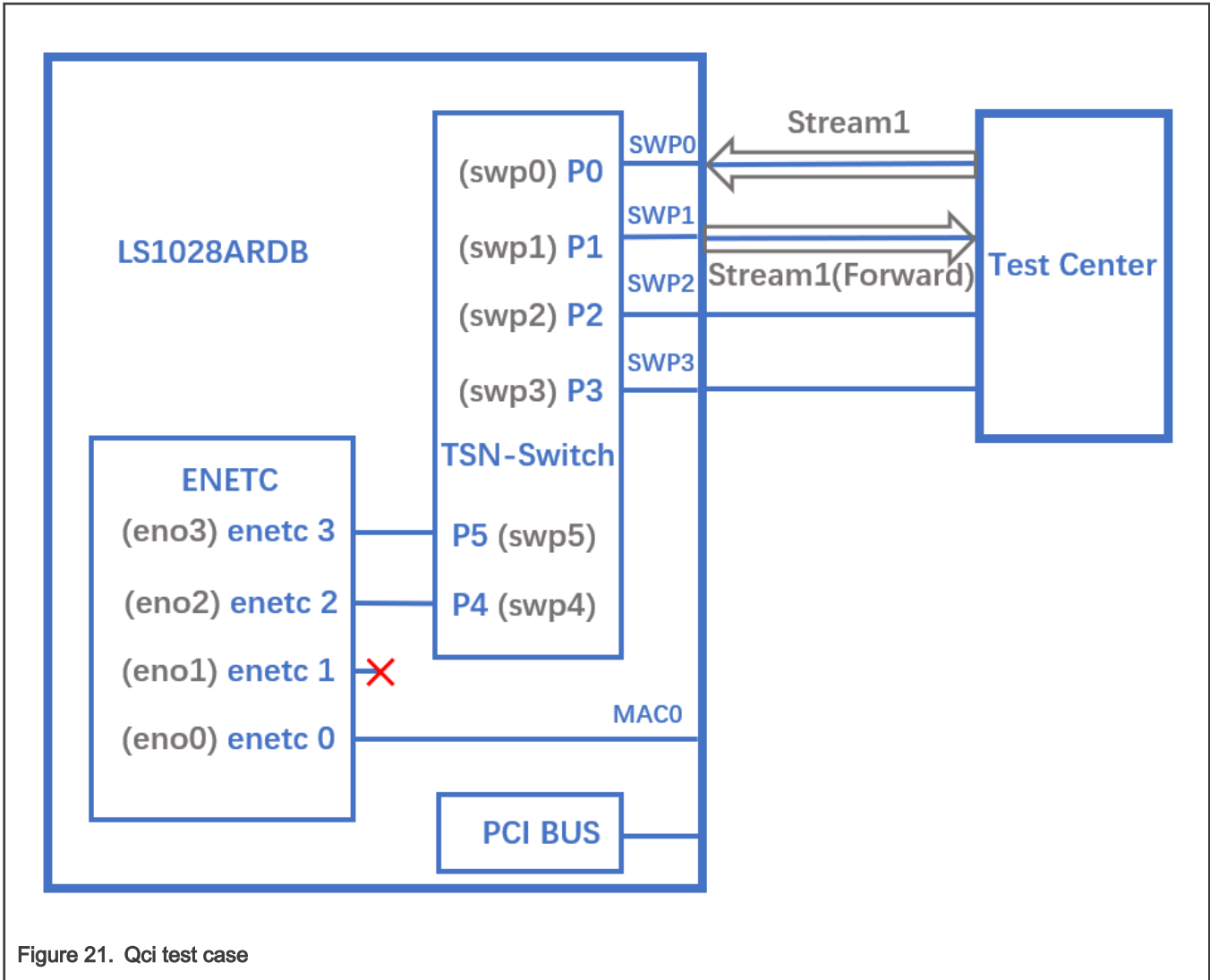


Figure 21. Qci test case

4.1.4.2.5.1 Tsntool usage

4.1.4.2.5.1.1 Stream identification

Use the following commands for stream identification:

1. Set a stream to `swp0` on TestCenter. Edit the stream, set the destination MAC as: `00:01:83:fe:12:01`, `Vlan ID : 1`
2. Add the MAC to MAC table on LS1028a. (This step is not needed if the mac is already learned on port)

```
bridge fdb add 00:01:83:fe:12:01 dev swp1 vlan 1
```

3. Use the destination MAC as: `00:01:83:fe:12:01`, `Vlan ID : 1` to set the stream identification on LS1028a.

```
tsntool> cbstreamidset --device swp1 --nullstreamid --index 1 --nullldmac 0x000183fe1201 --nullvid 1 --streamhandle 1
```

Explanation:

- `device`: set the device port which is the stream forwarded to. If the {`destmac`, `VID`} is already learned by switch, switch will not care device port.
- `nulltagged`: switch only support `nulltagged=1` mode, so there is no need to set it.

- `nullvid`: Use "bridge vlan show" to see the ingress VID of switch port.

```
tsntool> qcisfiset --device swp0 --index 1 --streamhandle 1 --gateid 1 --priority 0 --
flowmeterid 68
```

Explanation:

- `device`: can be any one of switch ports.
- `index`: value is the same as streamhandle of `cbstreamidset`.
- `streamhandle`: value is the same as streamhandle of `cbstreamidset`.
- `flowmeterid`: PSFP Policer id, ranges from 63 to 383.

4. Send one frame, then check the frames.

```
ethtool -S swp1
ethtool -S swp2
```

Only `swp1` can get the frame.

5. Use the following command to check and debug the stream identification status.

```
qcisfiget --device swp0 --index 1
```

NOTE

The parameter `streamhandle` is the same as `index` in stream filter set, we use `streamhandle` as SFID to identify the stream, and use `index` to set stream filter table entry.

4.1.4.2.5.1.2 Stream gate control

1. Use the following commands for stream gate control:

```
echo "t0 1b 3 50000 200" > sgi.txt
tsntool> qcisgiset --device swp0 --enable --index 1 --initgate 1 --initipv 0 --gatelistfile
sgi.txt --basetime 0x0
```

Explanation:

- `'device'`: can be any one of switch ports.
- `'index'`: gateid
- `'basetime'`: It is the same as `Qbv set`.

2. Send one frame on TestCenter.

```
ethtool -S swp1
```

Note that the frame could pass, and `green_prio_3` has increased.

3. Now run the following commands:

```
echo "t0 0b 3 50000 200" > sgi.txtx
tsntool> qcisgiset --device swp0 --enable --index 1 --initgate 1 --initipv 0 --gatelistfile
sgi.txt --basetime 0x0
```

4. Next, send one frame on TestCenter.

```
ethtool -S swp1
```

Note that the frame could not pass.

4.1.4.2.5.1.3 *SFI maxSDU test*

Use the following command to run this test:

```
tsntool> qcisfiset --device swp0 --index 1 --gateid 1 --priority 0 --flowmeterid 68 --maxsdu 200
```

Now, send one frame (frame size > 200) on TestCenter.

```
ethtool -S swp1
```

Users can observe that the frame could not pass.

4.1.4.2.5.1.4 *FMI test*

Use the following set of commands for the FMI test.

1. Run the command:

```
tsntool> qcifmiset --device swp0 --index 68 --cir 100000 --cbs 4000 --ebs 4000 --eir 100000
```

NOTE

- The 'device' in above command can be any one of the switch ports.
- The index of `qcifmiset` must be the same as `flowmeterid` of `qcisfiset`.

2. Now, send one stream (rate = 100M) on TestCenter.

```
ethtool -S swp0
```

Note that all frames pass and get all green frames.

3. Now, send one stream (rate = 200M) on TestCenter.

```
ethtool -S swp0
```

Observe that all frames pass and get green and yellow frames.

4. Send one stream (rate = 300M) on TestCenter.

```
ethtool -S swp0
```

Note that not all frames could pass and get green, yellow, and red frames.

5. Send one yellow stream (rate = 100M) on TestCenter.

```
ethtool -S swp0
```

All frames pass and get all yellow frames.

6. Send one yellow stream (rate = 200M) on TestCenter.

```
ethtool -S swp0
```

Note that not all frames could pass and get yellow and red frames.

7. Test of mode.

```
tsntool> qcifmiset --device swp0 --index 68 --cir 100000 --cbs 4000 --ebs 4000 --eir 100000 --cf
```

8. Send one yellow stream (rate = 200M) on TestCenter.

```
ethtool -S swp0
```

All frames pass and get all yellow frames (use CIR as well as EIR).

9. Send one yellow stream (rate = 300M) on TestCenter.

```
ethtool -S swp0
```

Note that not all frames could pass and get yellow and red frames.

4.1.4.2.5.1.5 Port based SFI set

LS1028A switch can work on port based PSFP set. This implies that when a null-identified stream is received on an ingress port, switch will use the port, default SFI.

Below example tests no streamhandle in qcisfiset to set a port, default SFI.

1. Use SFID 2 to set swp0 port as default SFI.

```
tsntool> qcisfiset --device swp0 --index 2 --gateid 1 --flowmeterid 68
```

After the port default SFI set, any stream sent from swp0 port will do the gate 1 and flowmeter 68 policy.

2. Set stream gate control.

```
echo "t0 1b 4 50000 200" > sgi.txt  
tsntool> qcisgiset --device swp0 --enable --index 1 --initgate 1 --initipv 0 --gatelistfile sgi.txt
```

3. Send any stream to swp0.

```
ethtool -S swp1
```

Note that the frame could pass, and green_prio_4 has increased.

4.1.4.2.5.2 Tc-flower usage

The figure below illustrates the tc-flower based Qci test case setup.

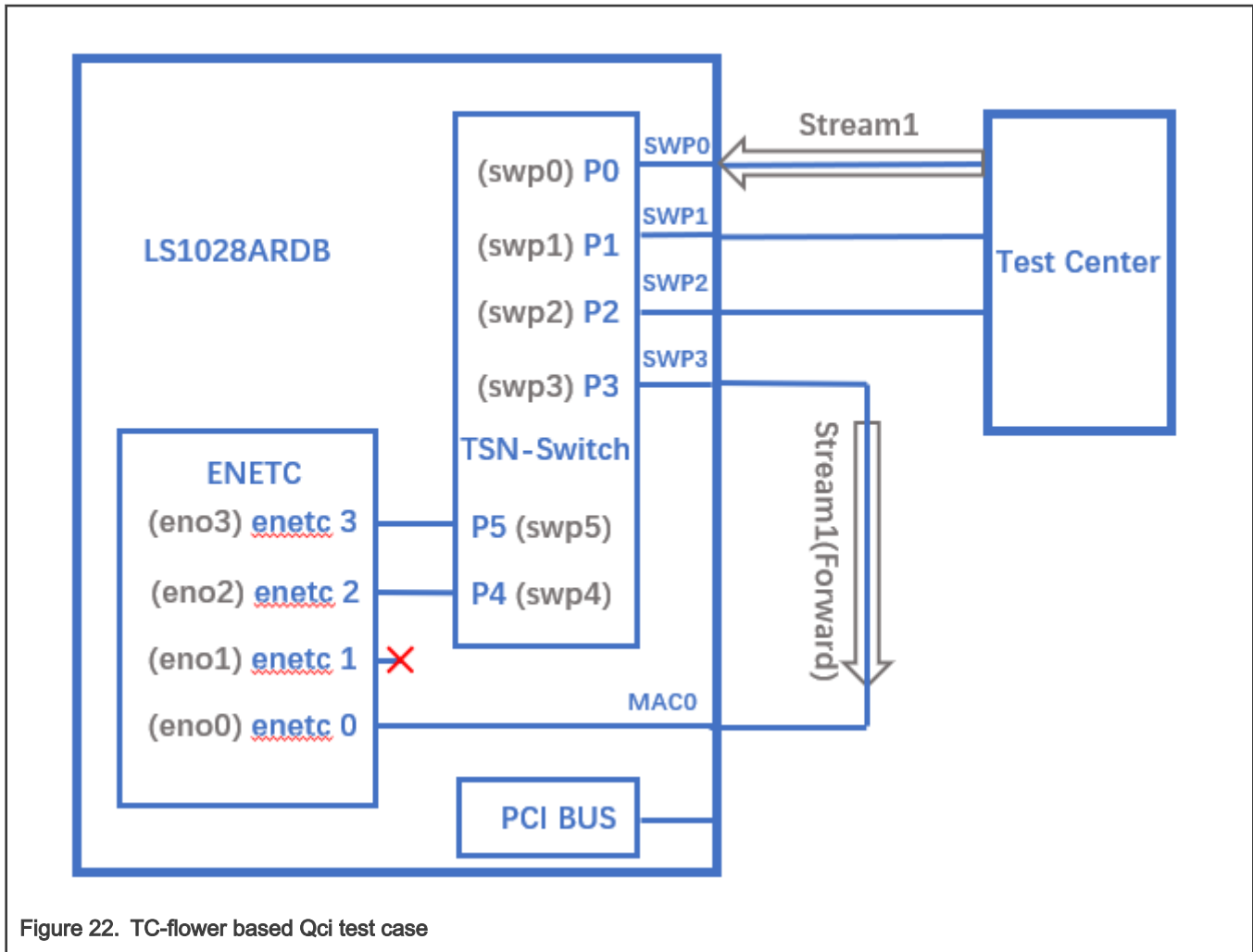


Figure 22. TC-flower based Qci test case

1. Get destination MAC on LS1028ARDB board, then use "dst_mac CA:9C:00:BC:6D:68" as shown in the following commands.

```
ifconfig eno0
Link encap:Ethernet HWaddr CA:9C:00:BC:6D:68
  inet addr:169.254.88.50 Bcast:169.254.255.255 Mask:255.255.0.0
  inet6 addr: fe80::ed36:c4ce:bb04:863d/64 Scope:Link
UP BROADCAST RUNNING MULTICAST MTU:1500 Metric:1
RX packets:2 errors:0 dropped:0 overruns:0 frame:0
TX packets:1529 errors:0 dropped:0 overruns:0 carrier:0
collisions:0 txqueuelen:1000
RX bytes:152 (152.0 B) TX bytes:118456 (115.6 KiB)
```

2. Set Qci on ingress port swp0.

a) Use the following commands to set Qci gate.

```
tc qdisc add dev swp0 ingress
tc filter add dev swp0 chain 30000 protocol 802.1Q parent ffff: flower skip_sw dst_mac
CA:9C:00:BC:6D:68 vlan_id 1 action gate index 1 base-time 0 sched-entry CLOSE 6000 -1 -1
```

b). Use the following commands to set Qci flow meter.

```
tc qdisc add dev swp0 ingress
tc filter add dev swp0 chain 30000 protocol 802.1Q parent ffff: flower skip_sw dst_mac
CA:9C:00:BC:6D:68 vlan_id 1 action police index 1 rate 10Mbit burst 10000
```

c). Use the following commands to set Qci SFI priority.

```
tc qdisc add dev swp0 ingress
tc filter add dev swp0 chain 30000 protocol 802.1Q parent ffff: flower skip_sw dst_mac
CA:9C:00:BC:6D:68 vlan_id 1 vlan_prio 1 action gate index 1 base-time 0 sched-entry CLOSE 6000 -1
-1
```

d). Use the following commands to set both gate and flow meter.

```
tc qdisc add dev swp0 ingress
tc filter add dev swp0 chain 30000 protocol 802.1Q parent ffff: flower skip_sw dst_mac
CA:9C:00:BC:6D:68 vlan_id 1 action gate index 1 base-time 0 sched-entry OPEN 6000 2 -1 action police
index 1 rate 10Mbit burst 10000
```

3. Send a stream from testcenter, set the stream destination mac as CA:9C:00:BC:6D:68, set vid=1 and vlan_prio=1 in the vlan tag.

4. Using "tcpdump -i eno0 -w eno0.pcap" to receive the stream on eno0, check if packets are received.

5. Use the following commands to delete a stream rule.

```
tc -s filter show dev swp0 ingress chain 30000
tc filter del dev swp0 ingress chain 30000 pref 49152
```

NOTE

- Each stream can only be added only once. If a user wants to update it, delete the rule and add a new one.
- MAC and VID of stream must have been learned in switch MAC table if the stream is required to be added.
- Qci gate cycle time is expected to be more than 5 μ s.
- Qci flow meter can only set `cir` and `cbs` now, and the policers are shared with ACL VCAPs.

4.1.4.2.6 Qav

The below figure illustrates the Qav test case setup.

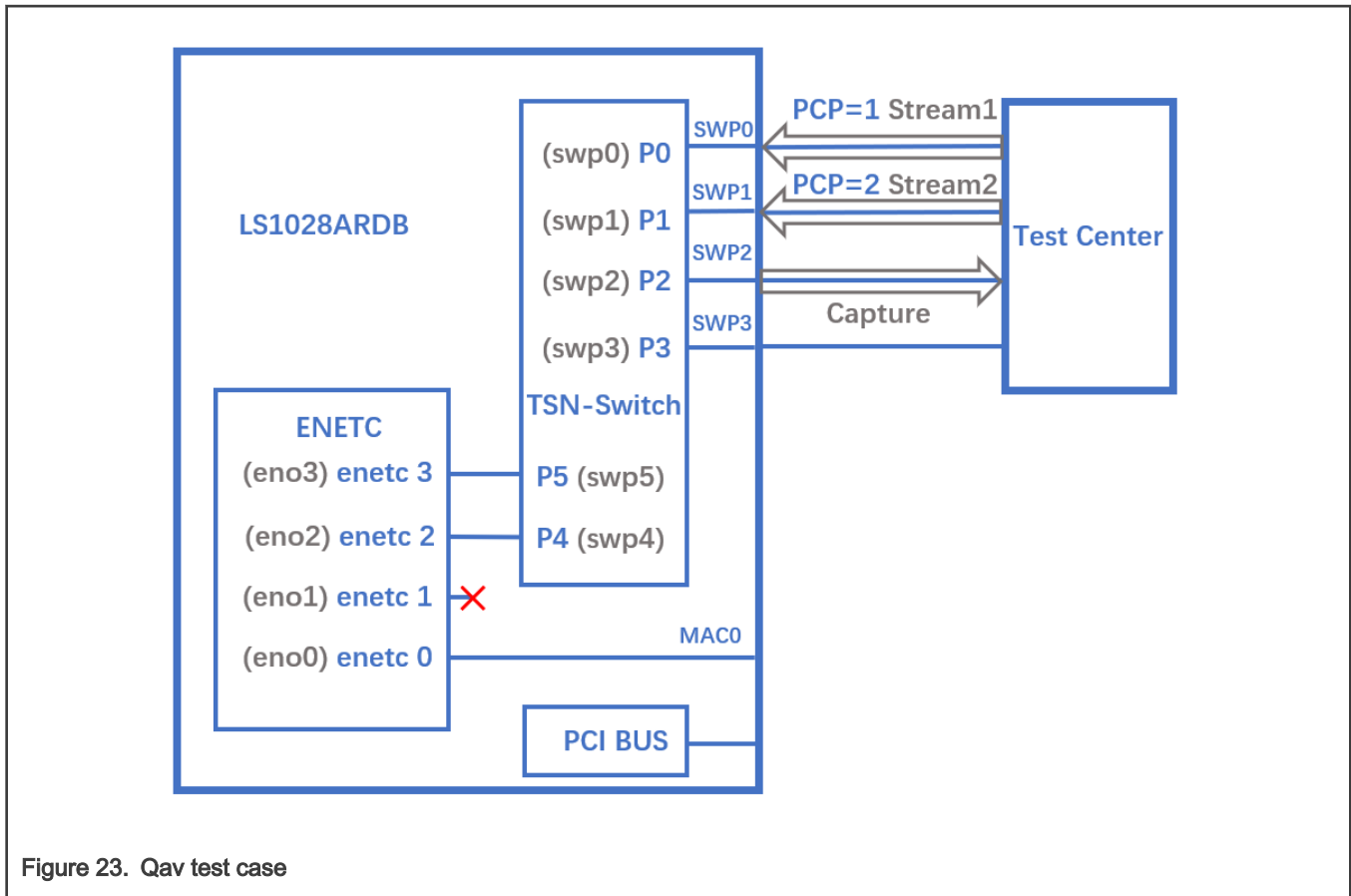


Figure 23. Qav test case

4.1.4.2.6.1 Tsntool usage

1. Set the percentage of two traffic classes:

```
tsntool> cbsset --device swp2 --tc 1 --percentage 20
tsntool> cbsset --device swp2 --tc 2 --percentage 40
```

2. Send two streams from Test center, then check the frames count.

```
ethtool -S swp2
```

Note that the frame count of queue1 is half of queue2.

NOTE

Stream rate must larger than bandwidth limited of queue.

3. Capture frames on swp2 on TestCenter.

The Get Frame sequence is: (PCP=1), (PCP=2), (PCP=2), (PCP=1), (PCP=2), (PCP=2),...

4.1.4.2.6.2 Tc-cbs usage

LS1028A supports the CBS qdisc to setup Credit-based Shaper. The below commands set CBS with 20 Mbit/s for queue 1 and 40 Mbit/s for queue 2.

1. Set the cbs of two traffic classes:

```
tc qdisc add dev swp2 root handle 1: mqprio num_tc 8 map 0 1 2 3 4 5 6 7 \
  queues 1@0 1@1 1@2 1@3 1@4 1@5 1@6 1@7 hw 0
tc qdisc replace dev swp2 parent 1:2 cbs locredit -1470 hicredit 30 \
  sendslope -980000 idleslope 20000 offload 1
tc qdisc replace dev swp2 parent 1:3 cbs locredit -1440 hicredit 60 \
  sendslope -960000 idleslope 40000 offload 1
```

2. Send one stream with PCP=1 from TestCenter, we can get the stream bandwidth is 20 Mbit/s from swp2.

3. Send two streams from Test center, then check the frames count.

```
ethtool -S swp2
```

NOTE

The frame count of queue1 is half of queue2.

4. Delete the cbs rules.

```
tc qdisc del dev swp2 parent 1:2 cbs
tc qdisc del dev swp2 parent 1:3 cbs
```

4.1.4.2.7 802.1CB

The following figure describes the test setup for the seamless redundancy test case.

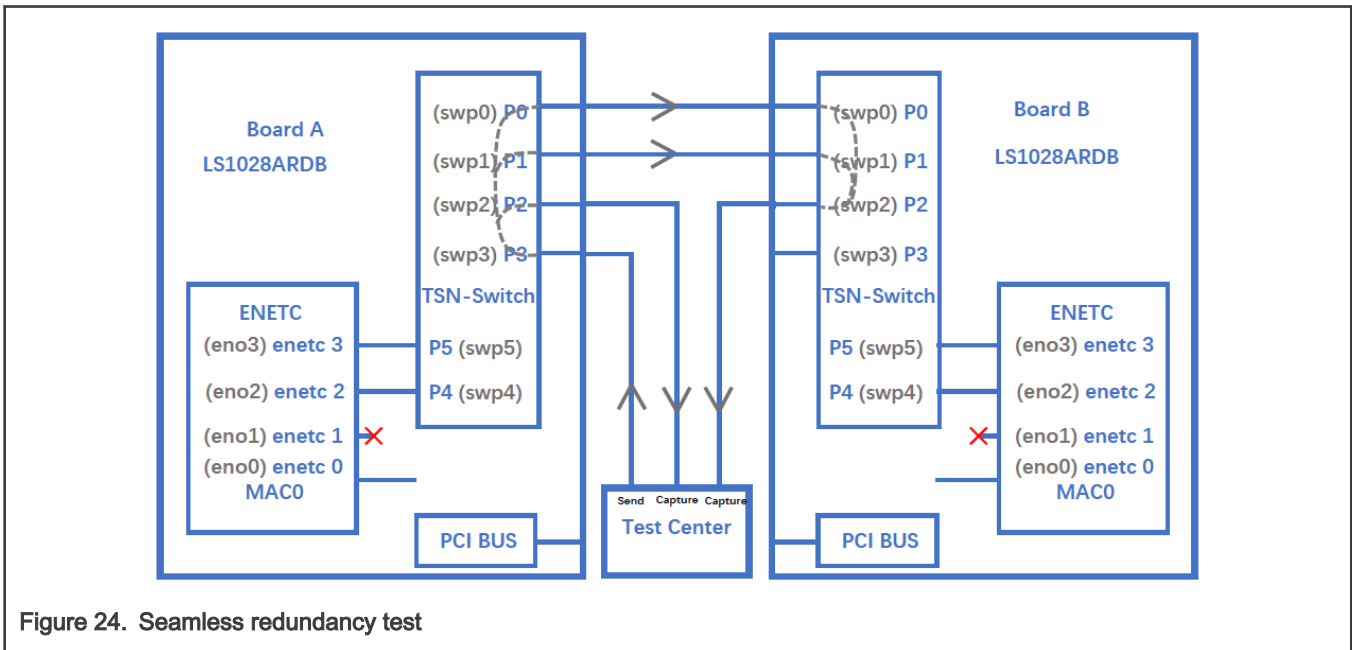


Figure 24. Seamless redundancy test

4.1.4.2.7.1 Sequence Generator test

Use the following set of commands for the 'Sequence Generator' test.

1. Configure switch ports to be forward mode.

On board A:

```
ifconfig eno2 up
ip link add name switch type bridge vlan_filtering 1
ip link set switch up
```

```
ip link set swp0 master switch && ip link set swp0 up
ip link set swp1 up
ip link set swp2 master switch && ip link set swp2 up
ip link set swp3 master switch && ip link set swp3 up
bridge vlan add dev swp0 vid 1 pvid
bridge vlan add dev swp2 vid 1 pvid
bridge vlan add dev swp3 vid 1 pvid
```

On board B

```
ifconfig eno2 up
ip link add name switch type bridge vlan_filtering 1
ip link set switch up
ip link set swp0 master switch && ip link set swp0 up
ip link set swp1 master switch && ip link set swp1 up
ip link set swp2 master switch && ip link set swp2 up
ip link set swp3 master switch && ip link set swp3 up
bridge vlan add dev swp0 vid 1 pvid
bridge vlan add dev swp1 vid 1 pvid
bridge vlan add dev swp2 vid 1 pvid
bridge vlan add dev swp3 vid 1 pvid
```

2. On board A, run the commands:

```
bridge fdb add 7E:A8:8C:9B:41:DD dev swp0 vlan 1
tsntool> cbstreamidset --device swp0 --index 1 --nullstreamid --nullldmac 0x7EA88C9B41DD --
nullvid 1 --streamhandle 1
tsntool> cbgen --device swp3 --index 1 --iport_mask 0x08 --split_mask 0x07 --seq_len 16 --
seq_num 2048
```

In the command above,

- **device:** can be any one of switch ports.
- **index:** value is the same as streamhandle of cbstreamidset.

3. Send a stream from TestCenter to swp3 of board A, set destination mac as 7E:A8:8C:9B:41:DD.

4. Capture frames on swp2 on TestCenter.

We can get frames from swp2 on TestCenter, each frame adds the sequence number: 23450801, 23450802, 23450803...

5. Capture frames from swp2 of board B on TestCenter, we can get the same frames.

4.1.4.2.7.2 Sequence Recover test

Use the following steps for the **Sequence Recover** test:

1. On board B, run the following commands:

```
bridge fdb add 7E:A8:8C:9B:41:DD dev swp2 vlan 1
tsntool> cbstreamidset --device swp2 --index 1 --nullstreamid --nullldmac 0x7EA88C9B41DD --
nullvid 1 --streamhandle 1
tsntool> cbrec --device swp0 --index 1 --seq_len 16 --his_len 31 --rtag_pop_en
```

In the cbrec command mentioned above:

- **device:** can be any one of switch ports.
- **index:** value is the same as streamhandle of cbstreamidset.

2. Send a frame from TestCenter to swp3 of board A, set dest mac to be 7E:A8:8C:9B:41:DD.

3. Capture frames from swp2 of board B on TestCenter, we can get only one frame without sequence tag.

4.1.4.2.8 TSN stream identification

TSN module uses QoS class to identify and control streams. There are three ways to identify the stream to different QoS class. These are explained in the following sections.

4.1.4.2.8.1 Stream identification based on PCP value of Vlan tag

The default QoS class is based on PCP of Vlan tag for a frame. If there is no Vlan tag for a frame, the default QoS class is 0. Set the PCP value on TestCenter.

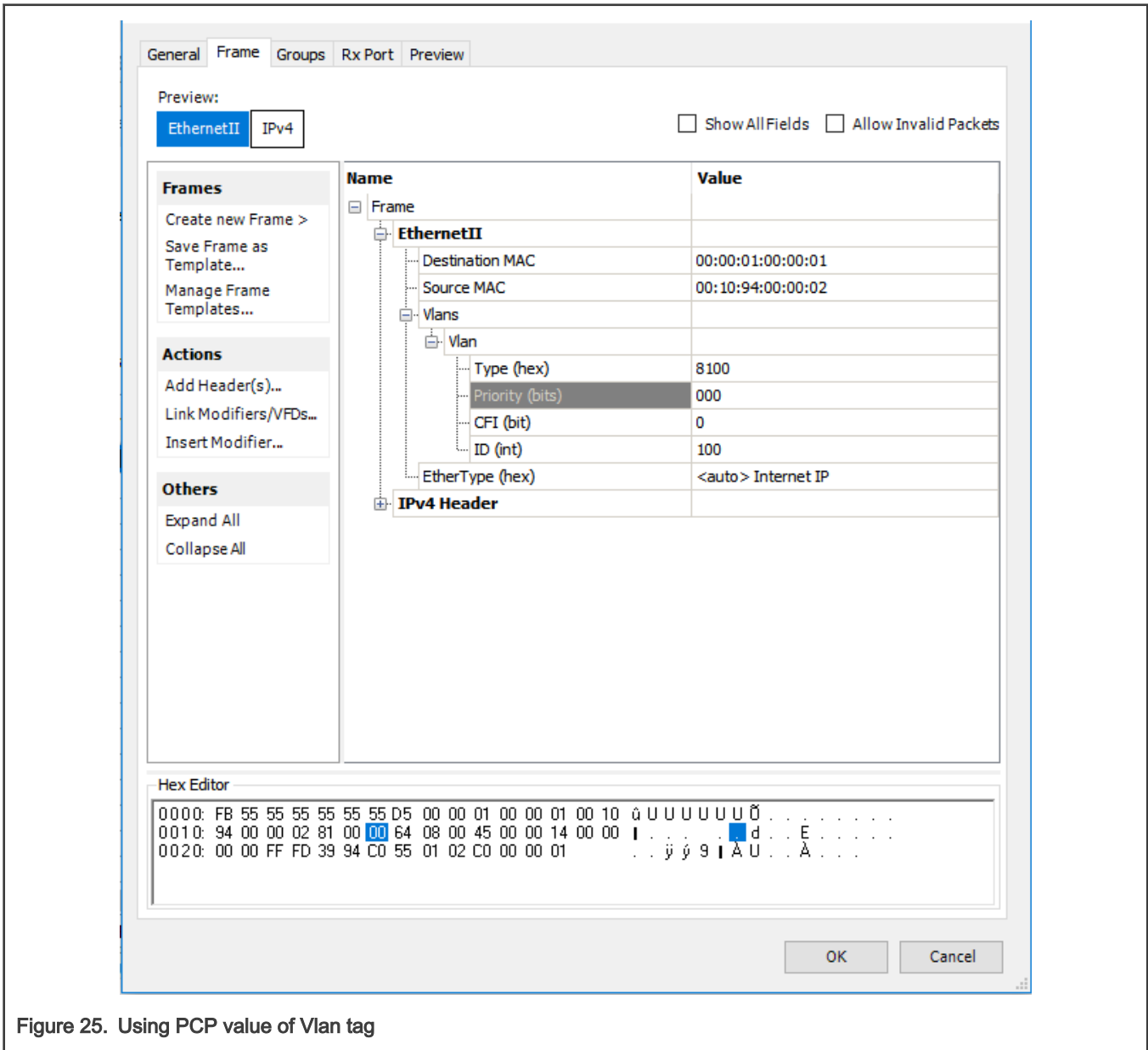


Figure 25. Using PCP value of Vlan tag

4.1.4.2.8.2 Based on DSCP of ToS tag

Use the below steps to identify stream based on DSCP value of ToS tag.

1. Map the DSCP value to a specific QoS class using the command below:

```
tsntool> dscpset --device swp0 --index 1 --cos 1 --dpl 0
```

Explanation:

- `index`: DSCP value of stream, 0-63.
 - `cos`: QoS class which is mapped to.
 - `dpl`: Drop level which is mapped to.
2. Set the DSCP value on TestCenter. DSCP value is the upper six bits of ToS in IP header, set the DSCP value on TestCenter as shown in the following figure.

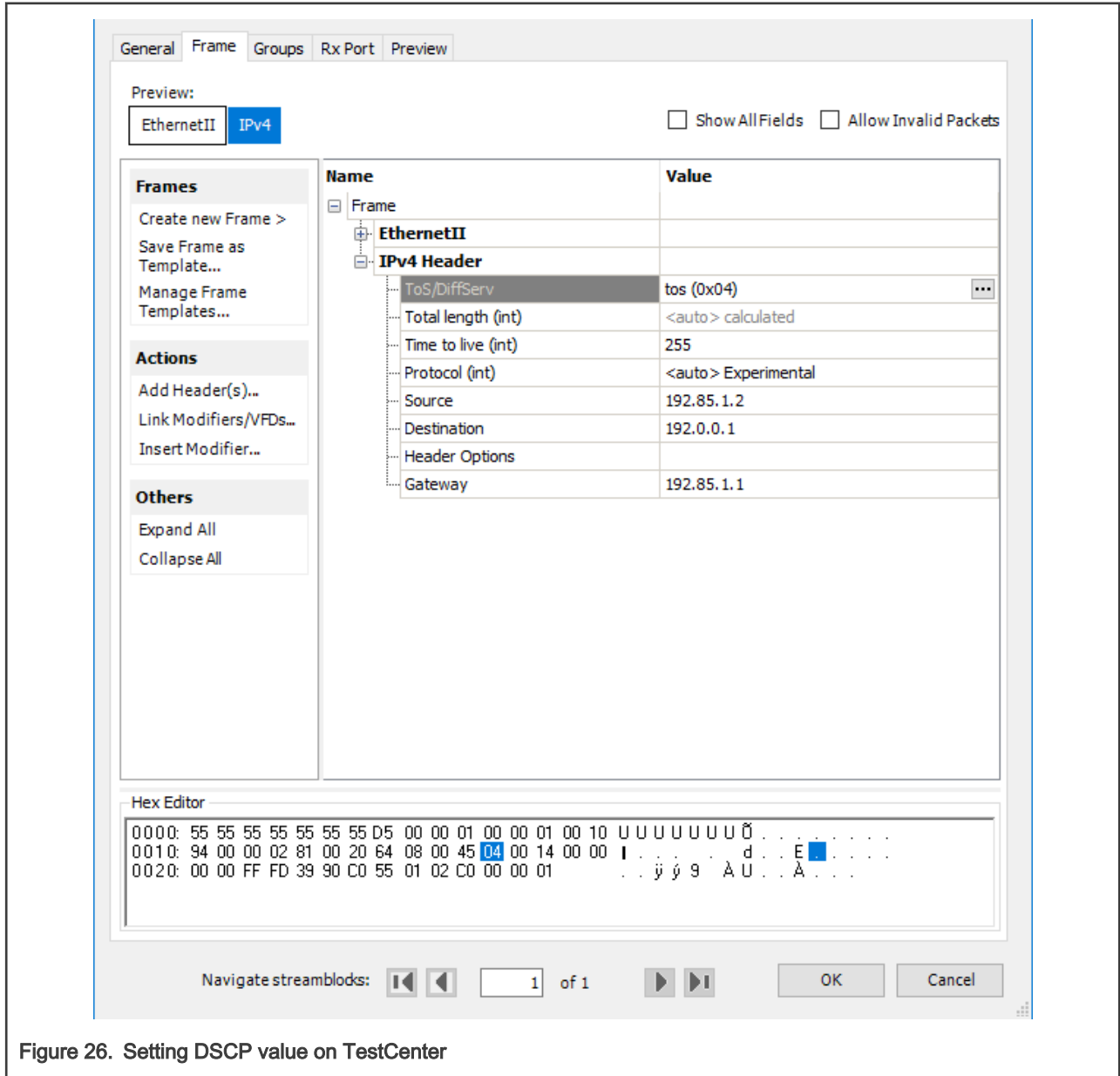


Figure 26. Setting DSCP value on TestCenter

4.1.4.2.8.3 Based on qci stream identification

The following steps describe how to use qci to identify the stream and set it to a QoS class.

1. Identify a stream.

```
tsntool> cbstreamidset --device swp1 --nullstreamid --nullldmac 0x000183fe1201 --nullvid 1 --
streamhandle 1
tsntool> qcisfiset --device swp0 --index 1 --gateid 1 --flowmeterid 68
```

2. Set to Qos class 3 by using stream gate control.

```
echo "t0 1b 3 50000 200" > sgi.txt
tsntool> qcisgiset --device swp0 --enable --index 1 --initgate 1 --initipv 0 --
gatelistfile sgi.txt
```

NOTE

The Qci-based identity stream can only be used on both the ingress and egress are bridge ports. The flow injected or extracted through the CPU port cannot be configured for Qci.

4.1.5 TSN on LS1021A-TSN

On the LS1021A-TSN platform, TSN features are provided by the SJA1105TEL Automotive Ethernet switch. These hardware features comply to pre-standard (draft) versions of the following IEEE specifications:

- 802.1Qbv - Time Aware Shaping
- 802.1Qci - Per-Stream Filtering and Policing
- 1588v2 - Precision Time Protocol

The following demonstration illustrates the SJA1105 hardware features listed below:

- Ingress rate limiting via the L2 (best-effort) policers
- Time-aware shaping
- 802.1AS gPTP synchronization

4.1.5.1 Topology

For demonstrating the SJA1105 TSN features, the following topology is required:

- 1 LS1021A-TSN board, acting as a TSN switch
- 1 generic host (can be a PC or another board) capable of PTP hardware timestamping, acting as a sender of latency-sensitive traffic
- 1 generic host (can be a PC or another board), acting as a sender of high-bandwidth traffic
- 1 generic host (can be a PC or another board) capable of PTP hardware timestamping, acting as receiver for the latency-sensitive and for the high-bandwidth traffic

The required software packages for the generic hosts are:

- ptp4l, phc2sys and phc_ctl from the linuxptp package: <https://sourceforge.net/projects/linuxptp/files/v3.1/linuxptp-3.1.tgz>
- iperf3
- isochron from the tsn-scripts package: <https://github.com/vladimiroltean/tsn-scripts/tree/isochron>

The generic hosts are assumed to be connected to the LS1021A-TSN board through an interface called eth0.

This topology is depicted in the following figure.

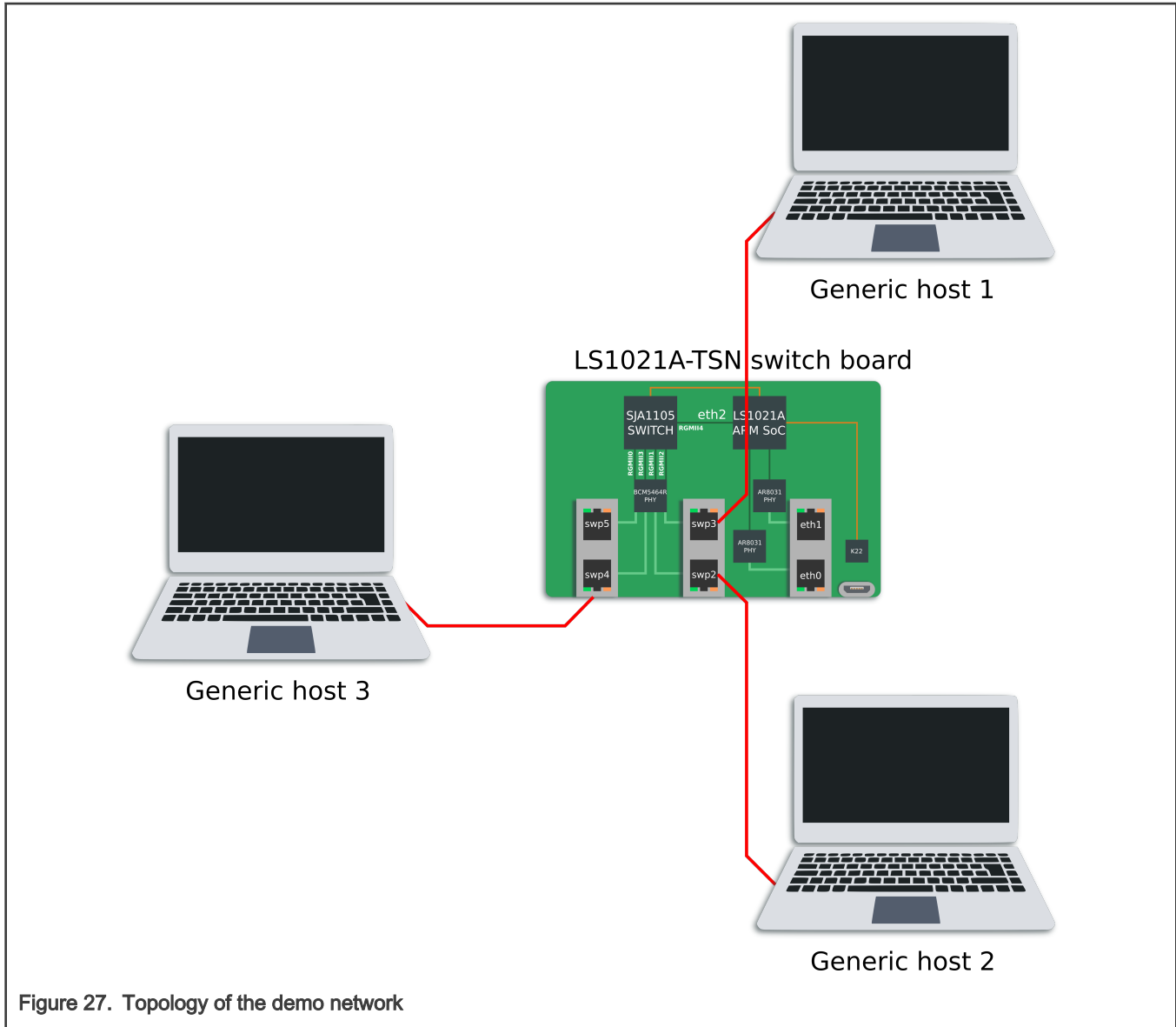


Figure 27. Topology of the demo network

4.1.5.2 SJA1105 Linux support

The SJA1105 switch is supported in the Real-time Edge Linux kernel using the Distributed Switch Architecture (DSA) framework (an overview of which can be found at <https://netdevconf.info/2.1/papers/distributed-switch-architecture.pdf>).

The following kernel configuration options are available for controlling its features:

- `CONFIG_NET_DSA_SJA1105`: enables base support for probing the SJA1105 ports as 4 standalone net devices capable of sending and receiving traffic
- `CONFIG_NET_DSA_SJA1105_PTP`: enables additional support for the PTP Hardware Clock (PHC), visible in `/dev/ptp1` on the LS1021A-TSN board, and for PTP timestamping on the SJA1105 ports
- `CONFIG_NET_DSA_SJA1105_TAS`: enables additional support for the Time-Aware Scheduler (TAS), which is configured via the `tc-taprio qdisc` offload

The documentation for this kernel driver is available at <https://www.kernel.org/doc/html/latest/networking/dsa/sja1105.html>. Below is a listing of several driver features.

The LS1021A-TSN device tree (`arch/arm/boot/dts/ls1021a-tsn.dts`) defines the sja1105 port names as `swp2`, `swp3`, `swp4` and `swp5`. The numbers have a direct correspondence with the chassis labels ETH2, ETH3, ETH4 and ETH5. The ETH2 chassis label (represented in Linux by the `swp2` net device) should not be confused with the `eth2` net device, which represents the LS1021A host port for this switch (called DSA master).

On the LS1021A-TSN board, network management is done by the `systemd-networkd` daemon, whose configuration files are located in `/etc/systemd/network/`. On this board, the following configuration files for `systemd-networkd` are present by default:

- `br0.netdev`: Creates a bridge net device with VLAN filtering disabled, STP disabled and MVRP disabled
- `br0.network`: Configures the net devices enslaved to `br0` to request an IPv4 address via DHCP
- `eth0.network`, `eth1.network`, `swp.network`: Configures all 6 ports of the LS1021A-TSN board to be part of the same `br0` bridge (4 ports are bridged in hardware, 2 ports are bridged in software)
- `eth2.network`: Configures the DSA master port to come up automatically, and assigns it a dummy link-local IP address. Having the DSA master interface up is a requirement for using the switch net devices.

Although all ports are configured for L2 forwarding by default (and therefore the only IP address for this board should be assigned to `br0`), this can be changed by removing the "Bridge=br0" line from the files in `/etc/systemd/network/` and then running "systemctl restart systemd-networkd".

In standalone mode, each SJA1105 port is able of acquiring an IP address and transferring general purpose packets to/from the kernel. This is internally supported by the kernel driver by repurposing the VLAN tagging functionality for switch port separation and identification. Therefore the ability to support general purpose traffic I/O only works as long as the user does not request VLAN tagging, via the bridge `vlan_filtering` option. When this happens, the switch driver goes to a reduced functionality mode, where the `swpN` net devices are no longer capable of sending and receiving general packets to/from the kernel. This is a hardware limitation which can be somewhat mitigated by enabling the `best_effort_vlan_filtering` devlink parameter (by following the steps in the kernel documentation).

Actually there is a second mechanism of frame tagging, which works for STP and PTP traffic and does not rely on VLAN tagging. Therefore, the STP and PTP protocols remain operational on the sja1105 driver even when the ports are enslaved to a bridge with `vlan_filtering=1`.

When VLAN awareness is disabled, the sja1105 ports perform no checks on VLAN port membership or PCP, and performs no alteration to the VLAN tags. For these operations, the following command is necessary:

```
ip link set dev br0 type bridge vlan_filtering 1
```

Once VLAN filtering is enabled, the VLAN table of each switch port can be inspected and modified using the "bridge vlan" commands from the `iproute2` package.

The STP state machine can be started on the bridge using the following command:

```
ip link set dev br0 type bridge stp_state 1
ip link set dev br0 down
ip link set dev br0 up
```

The switch L2 address forwarding database (FDB) can be inspected and modified using the "bridge fdb" set of commands.

Port statistics counters can be inspected using the `ethtool -S swpN` command.

The sja1105 port MTU can be configured up to a maximum of 2021 using the following command:

```
ip link set dev swp2 mtu 2000
```

Port mirroring on a sja1105 port (mirroring of ingress and/or egress packets) can be configured via the following set of commands:

```
tc qdisc add dev swp2 clsact
tc filter add dev swp2 ingress matchall skip_sw \
    action mirred egress mirror dev swp3
```

```
tc filter show dev swp2 ingress
tc filter del dev swp2 ingress pref 49152
```

There are 3 types of policers currently supported by the sja1105 driver:

- **Port policers:** These affect all traffic that is incoming on a port, except traffic that hits a more specific rule (see below). These are configured as follows:

```
tc qdisc add dev swp2 clsact
tc filter add dev swp2 ingress matchall skip_sw \
    action police rate 10mbit burst 64k
```

- **Traffic class policers:** These affect only traffic having a specific VLAN PCP. To limit traffic with VLAN PCP 0 (also includes untagged traffic) to 100 Mbit/s on port swp2 only:

```
tc qdisc add dev swp2 clsact
tc filter add dev swp2 ingress protocol 802.1Q flower skip_sw \
    vlan_prio 0 action police rate 100mbit burst 64k
```

- **Broadcast policers:** These affect only broadcast traffic (destination MAC ff:ff:ff:ff:ff:ff) received on an ingress port.

```
tc qdisc add dev swp2 clsact
tc filter add dev swp2 ingress flower skip_sw dst_mac ff:ff:ff:ff:ff:ff \
    action police rate 10mbit burst 64k
```

In absence of a specific policer allocated to a traffic class or to broadcast traffic, these packets will consume from the bandwidth budget of the port policer.

It is also possible to combine the bandwidth allocation of a traffic class, or of broadcast traffic on multiple ports, and assign them to a single policer. This functionality is called "shared filter blocks" and can be configured as follows (the example below limits broadcast traffic coming from all switch ports to a total of 10 Mbit/s):

```
tc qdisc add dev swp2 ingress_block 1 clsact
tc qdisc add dev swp3 ingress_block 1 clsact
tc qdisc add dev swp4 ingress_block 1 clsact
tc qdisc add dev swp5 ingress_block 1 clsact
tc filter add block 1 flower skip_sw dst_mac ff:ff:ff:ff:ff:ff \
    action police rate 10mbit burst 64k
```

For PTP, the sja1105 driver implements the kernel primitives required for interoperating with the linuxptp and other open source application stacks. Real-time Edge on the LS1021A-TSN is configured to start linuxptp by default in 802.1AS bridge mode on ports swp2, swp3, swp4 and swp5. The following system components are involved:

- **ptp4l:** Daemon that implements the IEEE 1588/802.1AS state machines. Configured via the /etc/linuxptp.cfg file and controlled via the linuxptp.service systemd service.
- **phc2sys:** Daemon that synchronizes the system time (CLOCK_REALTIME) to the active PHC (/dev/ptp1) or viceversa, depending on the board role in the network (PTP master or slave). Configured via the /etc/linuxptp-system-clock.cfg file and controlled via the phc2sys.service systemd service.

To inspect the PTP synchronization status of the board, the following commands can be used:

```
systemctl start --now ptp4l
systemctl start --now phc2sys
journalctl -b -u ptp4l -f
journalctl -b -u phc2sys -f
```

Under steady state, the switch ports are expected to maintain a synchronization offset of +/- 100 ns offset to the PTP master.

During normal operation, the static configuration of the sja1105 needs to be changed by the driver. In turn, this requires a switch reset, which temporarily disrupts Ethernet traffic and PTP synchronization. After a switch reset, the PTP synchronization offset may jump to a higher momentary range of +/- 2 500 000 ns. The list of reset reasons in the sja1105 kernel driver is:

- Enabling or disabling VLAN filtering, via the "ip link" command.
- Enabling or disabling PTP timestamping.
- Configuring the ageing time (which is done automatically by the kernel STP state machine when STP is active).
- Configuring the Time-Aware Scheduler via the tc-taprio command.
- Configuring the L2 policers (for MTU or for policing).

4.1.5.3 Synchronized 802.1Qbv demo

The objectives of this demonstration are the following:

- Synchronize the SJA1105 PTP clock using IEEE 802.1AS.
- Run the SJA1105 Time-Aware Scheduler (802.1Qbv engine) based on the PTP clock.
- Create a small switched TSN network with a flow requiring deterministic latency. Prove the latency is not affected by interfering traffic.

In the topology described earlier in this chapter, the boards which require to be synchronized by PTP are hosts 1, 2 and the LS1021A-TSN board. Host 3 only generates iperf traffic, which is not time-sensitive.

The following commands are required to start PTP synchronization using the 802.1AS profile on host 1 and 2:

```
ptp4l -i eth0 -f /etc/linuxptp/gPTP.cfg -m
phc2sys -a -rr --transportSpecific 0x1 --step_threshold 0.0002 --first_step_threshold 0.0002
```

Different output is expected on the two hosts. One will become PTP grandmaster and show the following logs:

- ptp4l:

```
ptp4l[13.067]: port 1: link up
ptp4l[13.104]: port 1: FAULTY to LISTENING on INIT_COMPLETE
ptp4l[16.113]: port 1: LISTENING to MASTER on ANNOUNCE_RECEIPT_TIMEOUT_EXPIRES
ptp4l[16.113]: selected local clock 00049f.ffff.05de06 as best master
ptp4l[16.113]: port 1: assuming the grand master role
ptp4l[16.692]: port 1: new foreign master 001f7b.ffff.630248-1
ptp4l[16.692]: selected best master clock 00049f.ffff.05f627
ptp4l[16.692]: port 1: assuming the grand master role
```

- phc2sys:

```
phc2sys[73.382]: eno0 sys offset      12 s2 freq  +2009 delay  1560
phc2sys[74.382]: eno0 sys offset      2 s2 freq  +2003 delay  1560
phc2sys[75.382]: eno0 sys offset     -18 s2 freq  +1983 delay  1600
phc2sys[76.383]: eno0 sys offset      27 s2 freq  +2023 delay  1600
phc2sys[77.383]: eno0 sys offset      7 s2 freq  +2011 delay  1600
phc2sys[78.383]: eno0 sys offset     -18 s2 freq  +1988 delay  1560
phc2sys[79.383]: eno0 sys offset      -8 s2 freq  +1993 delay  1560
```

While the other board will become a PTP slave, as seen by the following logs:

- ptp4l:

```
ptp4l[68484.668]: rms    17 max    36 freq  +1613 +/-   15 delay   737 +/-
0
ptp4l[68485.668]: rms     8 max    15 freq  +1622 +/-   11 delay   737 +/-
0
```

```

ptp4l[68486.669]: rms    14 max    28 freq +1643 +/- 13 delay  737 +/-
0
ptp4l[68487.670]: rms    11 max    17 freq +1650 +/- 10 delay  738 +/-
0
ptp4l[68488.671]: rms    11 max    20 freq +1633 +/- 15 delay  738 +/-
0
ptp4l[68489.672]: rms     8 max    16 freq +1640 +/- 11 delay  737 +/-
0
ptp4l[68490.673]: rms    16 max    32 freq +1640 +/- 23 delay  737 +/-
0
ptp4l[68491.674]: rms    12 max    21 freq +1622 +/- 13 delay  737 +/-
0
ptp4l[68492.675]: rms    13 max    19 freq +1648 +/- 13 delay  738 +/-  0
ptp4l[68493.676]: rms    18 max    34 freq +1668 +/- 15 delay  737 +/-  0

```

- **phc2sys:**

```

phc2sys[68508.790]: CLOCK_REALTIME phc offset      10 s2 freq   -342 delay  1600
phc2sys[68509.791]: CLOCK_REALTIME phc offset       2 s2 freq   -347 delay  1560
phc2sys[68510.791]: CLOCK_REALTIME phc offset       9 s2 freq   -339 delay  1600
phc2sys[68511.791]: CLOCK_REALTIME phc offset     -22 s2 freq   -368 delay  1560
phc2sys[68512.791]: CLOCK_REALTIME phc offset     -19 s2 freq   -371 delay  1560
phc2sys[68513.791]: CLOCK_REALTIME phc offset     -13 s2 freq   -371 delay  1560
phc2sys[68514.791]: CLOCK_REALTIME phc offset      48 s2 freq   -314 delay  1560
phc2sys[68515.792]: CLOCK_REALTIME phc offset      22 s2 freq   -325 delay  1560
phc2sys[68516.792]: CLOCK_REALTIME phc offset      17 s2 freq   -324 delay  1560
phc2sys[68517.792]: CLOCK_REALTIME phc offset     -29 s2 freq   -365 delay  1560

```

The role of the LS1021A-TSN board is to relay the PTP time from the 802.1AS grandmaster to the slave. It acts as a slave on the port connected to the GM and as a master on the port connected to the other host.

```

[root] # journalctl -b -u ptp4l -f
-- Logs begin at Tue 2020-04-07 14:02:11 UTC. --
ptp4l[86640.528]: rms    10 max    23 freq -19731 +/- 11 delay  737 +/-  0
ptp4l[86641.528]: rms     9 max    15 freq -19740 +/- 13 delay  736 +/-  0
ptp4l[86642.529]: rms    12 max    19 freq -19757 +/- 10 delay  737 +/-  0
ptp4l[86643.530]: rms     9 max    14 freq -19747 +/- 13 delay  737 +/-  0
ptp4l[86644.530]: rms    13 max    22 freq -19733 +/- 15 delay  736 +/-  0
ptp4l[86645.531]: rms     7 max    14 freq -19735 +/-  9 delay  737 +/-  0
ptp4l[86646.532]: rms     7 max    13 freq -19735 +/-  9 delay  737 +/-  0
ptp4l[86647.532]: rms    11 max    19 freq -19750 +/- 12 delay  737 +/-  0
ptp4l[86648.533]: rms     6 max    14 freq -19745 +/-  8 delay  737 +/-  0
ptp4l[86649.534]: rms     9 max    15 freq -19750 +/- 12 delay  736 +/-  0

```

The above information can be interpreted as follows (only the last line is interpreted here):

- Because the default (implicit) `summary_interval` in `/etc/linuxptp.cfg` is 0 (print stats once per second) and the `logSyncInterval` required by 802.1AS is -3 (the sync messages are sent at an interval of 1/8 seconds - 125 ms), this means that synchronization stats cannot be printed in full (for each packet) and are printed in an abbreviated form (there is no "offset" in the logs).
- The offset to the master has a root mean square value of 9 ms, with a maximum of 15 ns in the past 1 second.
- The frequency correction required to synchronize to the GM was on average -19750 parts per billion (ppb). If the frequency adjustment exceeds a certain sanity threshold (depending on kernel driver), `ptp4l` may print "clockcheck" warnings and stop synchronization. This can be sometimes remedied manually by running the following command to reset the PTP clock frequency adjustment to zero:

```
phc_ctl /dev/ptp0 freq 0
```


- The measured path delay (MAC to MAC propagation delay for ~70 bytes frames at 1Gbps) between its device and its link partner is exactly 736 ns.

The clock distribution tree in this network is as follows: the system clock of the PTP GM (e.g. Host 1) disciplines its PTP hardware clock (/dev/ptp0), using phc2sys. Over Ethernet, the PTP GM disciplines the SJA1105 PHC, which disciplines the PTP slave (e.g. Host 2). On the slave host, the phc2sys process runs in the reverse direction, disciplining the system clock (CLOCK_REALTIME) to the PTP hardware clock (/dev/ptp0).

A note on using the LS1021A-TSN board as a gPTP GM for this scenario (in place of Host 1). On this board there is no battery-backed RTC, so there is no persistent source of time onboard. One has to rely on the NTP service (ntpd.service) to provide time, otherwise a time in 1970 will be relayed into the PTP network.

A note on using phc2sys on the slave host. Since phc2sys attempts to discipline CLOCK_REALTIME, one must manually ensure that other daemons in the system do not attempt to do the same thing, such as ntpd. Otherwise there will be access conflicts between phc2sys and the other daemon, and phc2sys will keep printing clockcheck warning messages.

Install the following schedule into the sja1105 port egressing towards Host 2:

```
tc qdisc add dev swp2 parent root taprio \
    num_tc 8 \
    map 0 1 2 3 4 5 6 7 \
    queues 1@0 1@1 1@2 1@3 1@4 1@5 1@6 1@7 \
    base-time 0 \
    sched-entry S 80 50000 \
    sched-entry S 40 50000 \
    sched-entry S 3f 300000 \
    flags 2
```

The base-time of 0 indicates the phase offset of the network schedule. This time corresponds to Jan 1st 1970, but it is automatically advanced into an equivalent time into the immediate PTP future (it is advanced by an integer number of cycle-time nanoseconds).

The cycle-time in this example is not provided explicitly, but it is calculated as the sum of the durations of all gate events: 400 microseconds (us).

The schedule at the egress of swp2 is divided as follows:

- 50 us for PTP traffic (S 80). The traffic class assignment of 7 for link-local management traffic (STP, PTP, etc) is fixed to 7 at driver level and is not user configurable at this time.
- 50 us for traffic class 6 (S 40). The latency-sensitive traffic generator will be injecting into this window.
- 300 us for all other traffic classes 0-5 (S 3f).

Enabling QoS classification on the sja1105 switch based on VLAN PCP is done by running:

```
ip link set dev br0 type bridge vlan_filtering 1
```

First the receiver for latency-sensitive traffic needs to be started on Host 2. This process waits for connections from the sender and then transmits its statistics to it.

```
ip addr add 192.168.1.2/24 dev eth0
isochron rcv --interface eth0 --quiet
```

The sender is started on Host 1 as follows:

```
ip addr add 192.168.1.1/24 dev eth0
isochron send --interface eth0 --dmac 00:04:9f:05:de:06 --priority 6 --vid 0 \
    --base-time 0 --cycle-time 400000 --shift-time 50000 --advance-time 90000 \
    --num-frames 10000 --frame-size 64 --client 192.168.1.2 --quiet
```

The log should look as follows:

```
Base time 0.000040000 is in the past, winding it into the future
    Now: 1586282691.751150218
Base time: 1586282691.751160000
Cycle time: 0.000400000
Collecting receiver stats
Summary:
Path delay: min 4329 max 4444 mean 4387.987 stddev 24.508
HW TX deadline delta: min -65238 max -18938 mean -59707.395 stddev 1371.995
SW TX deadline delta: min -33528 max 25058 mean -28221.001 stddev 1844.235
HW RX deadline delta: min -60874 max -14529 mean -55319.408 stddev 1372.222
SW RX deadline delta: min -43398 max 130659 mean -38212.966 stddev 2514.592
HW TX deadline misses: 0 (0.000%)
SW TX deadline misses: 1 (0.010%)
```

The following clarifications are necessary:

- The destination MAC is that of Host 2's interface eth0
- The sent packets have a VLAN tag with VID 0 and PCP 6. Because they are priority-tagged (802.1p) the sja1105 switch ports will accept these packets without any "bridge vlan add vid 0 dev swp3" command.
- The isochron program sends a number of 10000 frames, at an interval of 400 us. The base-time is the same as on the sja1105 egress port swp2, but it is shifted with 50 us to the right, in order to align with the beginning of traffic class 6's window (which is the second timeslot in the schedule). The packet transmission deadlines are therefore at (base-time + shift-time + N * cycle-time).
- Packets must in fact be transmitted earlier than the TX deadline, in order to compensate for scheduling latencies in the Linux kernel and the actual propagation delay of the packet. So the isochron program sleeps until 90 us in advance of the next deadline.
- By "winding the base time into the future", one understands the process by which the original base time (0) is incremented by the smallest number N of cycles such that it becomes greater than the current PTP time (1586282691.751150218). In this case, the new base-time is 1586282691.751160000.
- For each packet, the sender collects 2 TX timestamps: one hardware and one software. The receiver also collects two timestamps. These timestamps are not printed to the console because the --quiet option was specified.
- Correlation between timestamps at the sender and at the receiver is done through a secondary socket. The receiver waits for connections on TCP port 5000, and transmits its log to the sender, which correlates with its own log by using a key formed out of {sequence number, scheduled TX time (deadline)}. Both these values are embedded into the packet payload. If the --client option is omitted, the statistics correlation is not performed. This TCP socket is the only reason for which IP communication is necessary in this network.
- The path delay is calculated as the delta between the RX hardware timestamp at the receiver and the TX hardware timestamp at the sender.
- Each "deadline delta" is calculated as the difference between the timestamp and the scheduled TX time of this packet. The HW TX deadline delta should always be negative, as that indicates the packets were sent before the scheduled TX time has expired. The SW TX timestamps are taken after the HW TX timestamps in this case, so their meaning is less relevant for this driver. The RX deadline deltas will become relevant once the 802.1Qbv schedule is installed on the sja1105 switch port.

The above log was taken with no 802.1Qbv schedule active on the sja1105 port and no background traffic. After starting background traffic:

```
# Host 2
iperf3 -s > /dev/null &
sysctl -w kernel.sched_rt_runtime_us=-1
chrt --fifo 90 isochron rcv -i eth0 --quiet
# Host 3
ip addr add 192.168.1.3/24 dev eth0
```

```
iperf3 -c 192.168.1.2 -t 48600
Connecting to host 10.0.0.112, port 5201
[ 5] local 10.0.0.113 port 60360 connected to 10.0.0.112 port 5201
[ ID] Interval           Transfer     Bitrate      Retr  Cwnd
[ 5]  0.00-1.00   sec    105 MBytes   878 Mbits/sec    0   489 KBytes
[ 5]  1.00-2.00   sec    102 MBytes   859 Mbits/sec    0   513 KBytes
[ 5]  2.00-3.00   sec    102 MBytes   858 Mbits/sec    0   513 KBytes
[ 5]  3.00-4.00   sec    101 MBytes   851 Mbits/sec    0   513 KBytes
[ 5]  4.00-5.00   sec    102 MBytes   860 Mbits/sec    0   539 KBytes
```

a re-run of the isochron traffic generated by Host 1 looks as follows:

```
chrt --fifo 90 isochron send -i eno0 -d 00:04:9f:05:de:06 -p 6 -v 0 -b 0 -S 50000 -c 400000 -a 90000
-n 10000 -s 64 -C 10.0.0.112 -q
Base time 0.000040000 is in the past, winding it into the future
    Now: 1586286409.635121693
    Base time: 1586286409.635160000
Cycle time: 0.000400000
Collecting receiver stats
Summary:
Path delay: min 4314 max 16774 mean 9725.688 stddev 3919.150
HW TX deadline delta: min -64273 max -8538 mean -59894.931 stddev 1467.284
SW TX deadline delta: min -33286 max 37575 mean -28498.114 stddev 2006.546
HW RX deadline delta: min -58924 max -904 mean -50169.243 stddev 4183.042
SW RX deadline delta: min -52757 max 1109472 mean -29436.032 stddev 23537.847
HW TX deadline misses: 0 (0.000%)
SW TX deadline misses: 4 (0.040%)
```

It can be seen that the path delay variance has increased due to the prolonged wait of packets until MTU-sized packets generated by iperf3 have finished transmission.

Finally, installing the 802.1Qbv schedule on the switch has effects upon all statistics calculated by isochron:

```
chrt --fifo 90 isochron send -i eno0 -d 00:04:9f:05:de:06 -p 6 -v 0 -b 0 -S 50000 -c 400000 -a 90000
-n 10000 -s 64 -C 10.0.0.112 -q
Base time 0.000040000 is in the past, winding it into the future
    Now: 1586286689.223100936
    Base time: 1586286689.223160000
Cycle time: 0.000400000
Collecting receiver stats
Summary:
Path delay: min 14199 max 65684 mean 61357.368 stddev 1494.831
HW TX deadline delta: min -64128 max -12643 mean -59822.445 stddev 1494.557
SW TX deadline delta: min -33616 max 25621 mean -28448.709 stddev 1974.185
HW RX deadline delta: min 1476 max 2041 mean 1534.924 stddev 24.822
SW RX deadline delta: min 5243 max 1122800 mean 21040.814 stddev 16752.155
HW TX deadline misses: 0 (0.000%)
SW TX deadline misses: 5 (0.050%)
```

The path delay has increased, but that is because now it contains the time spent by the packets blocked on the switch waiting for gate 6 to open.

The HW RX deadline delta now has a new meaning, since in the last example (with 802.1Qbv enabled on the switch), the gate acts as a barrier and eliminates the jitter in HW TX timestamps, which is induced by scheduling latencies in the sender's operating system. Generally speaking, the jitter of the sender is eliminated by the first switch upon packet admission into the TSN network. The effect is that the receiver sees a packet stream with low jitter.

The path delay can be reduced by decreasing the advance time. It is configured in such a way that the packets arrive on the switch prior to the gate opening, which depends on the jitter of the sender. Minimizing the TX jitter is outside the scope of this demonstration.

4.2 GenAVB/TSN stack

4.2.1 Introduction

The GenAVB/TSN Stack provides advanced implementation for Audio Video Bridging (AVB) and Time-Sensitive Networking (TSN) functionalities on NXP SoCs and hardware platforms. These functions require TSN hardware support, available in the LS1028A and i.MX 8M Plus SoC.

This section provides information on how to set up and evaluate the GenAVB/TSN Stack. In that context, it provides information on supported SoCs and boards, compile time software package configuration, and runtime configuration settings.

4.2.1.1 gPTP stack

The gPTP stack implements IEEE 802.1AS-2020 standard, and supports both time-aware Endpoint and Bridge systems. The stack runs fully in userspace, using Linux socket API's for packet transmit, receive and timestamping. Linux clock API's are used for clock adjustment. Configuration files are used to configure the stack at initialization time and extensive logging is available at run time.

4.2.1.2 SRP stack

The SRP stack implements MRP, MVRP and MSRP defined in IEEE 802.1Q-2018, sections 10, 11 and 35. The stack runs fully in userspace, using Linux socket API's for packet transmit and receive. Linux tc and bridge netlink API's are used to update Multicast FDB entries and FQTS Credit Based Shaper (CBS) configuration. Configuration files are used to configure the stack at initialization time and extensive logging is available at run time.

4.2.1.3 TSN Endpoint example application

The TSN example application provides example code and re-usable middleware exercising the GenAVB/TSN API. It is used to exercise and verify the real time behavior of the local system as well as TSN properties of the network between endpoints.

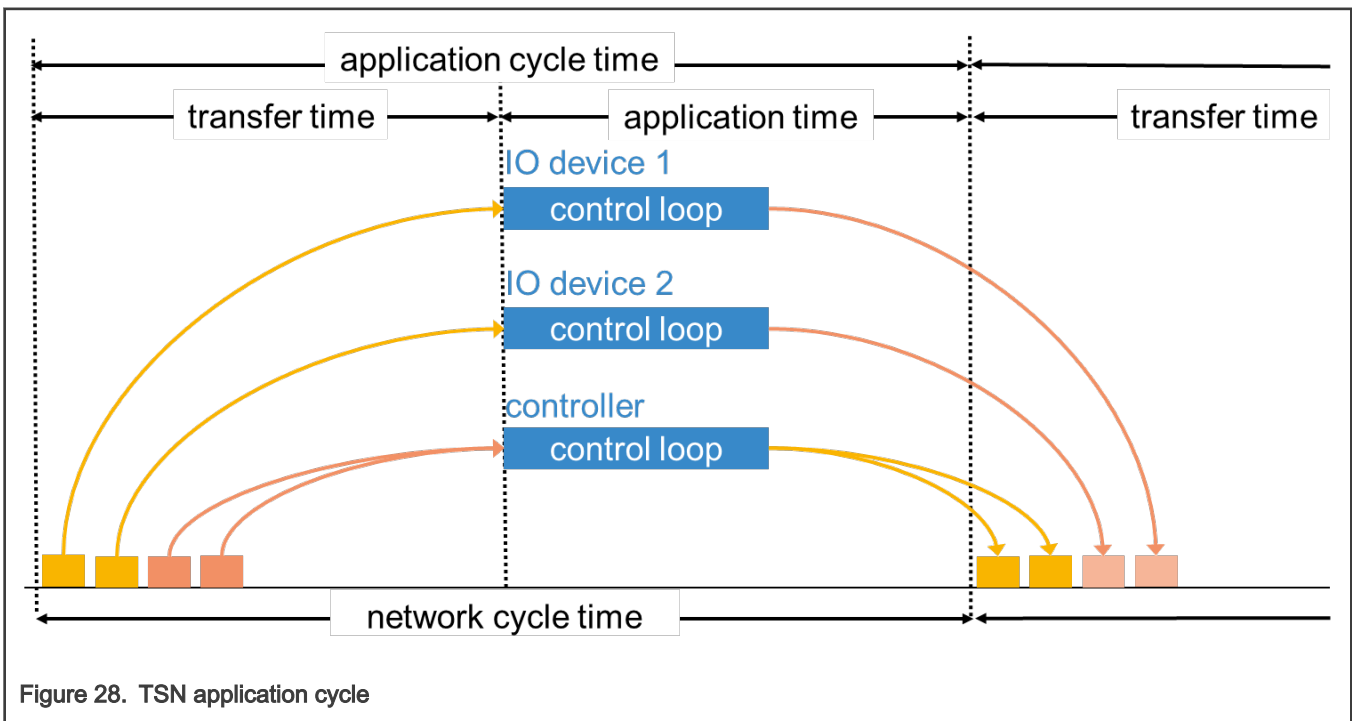


Figure 28. TSN application cycle

The TSN example application implements a control loop similar to industrial use cases requiring cyclic isochronous exchanges over the network.

The TSN endpoints run their application synchronized to a common time grid in the same gPTP domain so that they can send and receive network traffic in a cyclic isochronous pattern (the application cycle time is equal and synchronous to the network cycle time as shown in above figure). Currently the cycle is configured with a period of 2ms. When the application is scheduled, frames from other endpoints are ready to be read and at the end of the application time frames are sent to other endpoints.

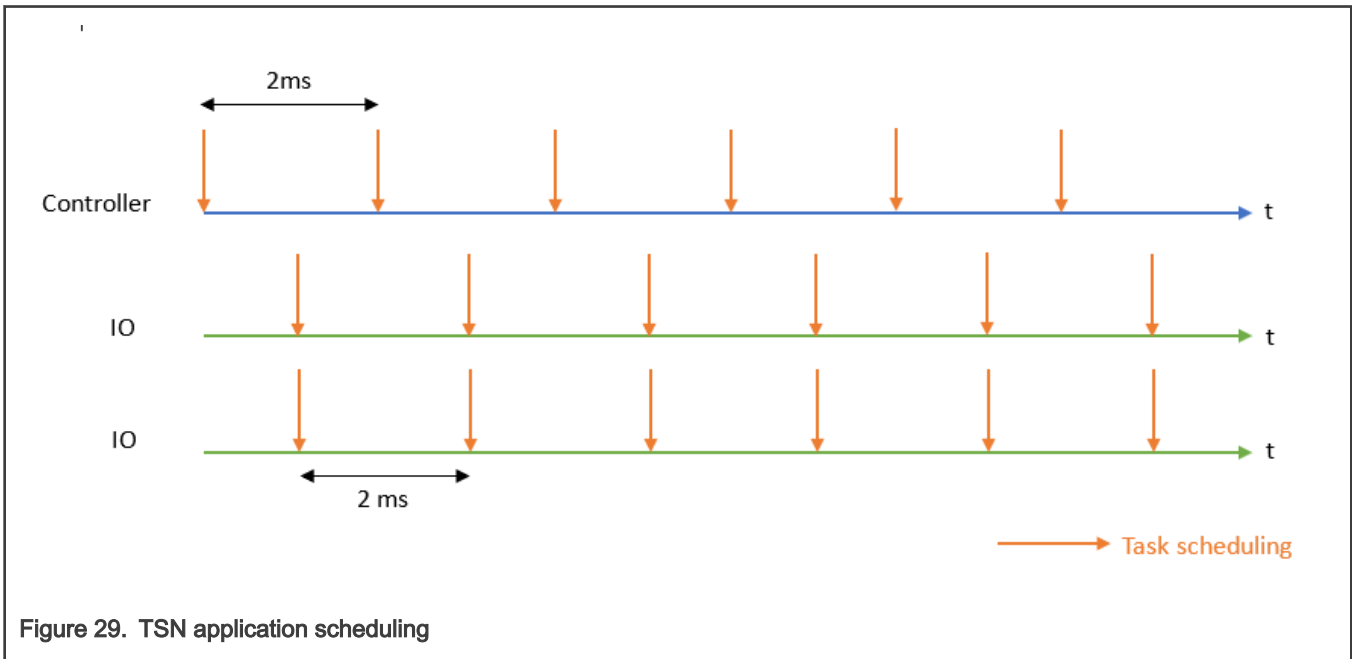


Figure 29. TSN application scheduling

As shown in the figure above, the controller and the IO devices are scheduled with a half cycle offset in order to reduce the processing latency.

The time sensitive traffic is layer 2 multicast with VLAN header and proprietary EtherType. Its priority is defined using the PCP field of the VLAN header.

In addition, the TSN application provides detailed logs and time sensitive traffic timing statistics (based on hardware timestamping of packets) which allow characterization of an entire real time distributed system.

Finally, a OPCUA server is implemented and offer the possibility to browse and retrieve the TSN application statistics exposed as OPCUA objects. The OPCUA server runs over TCP and allows access to any OPCUA client.

4.2.1.4 Supported configurations

GenAVB/TSN Stack currently supports the following boards and the associated roles:

- LS1028ARDB: gPTP Time-aware Bridge and SRP Bridge
- i.MX 8M Plus EVK: gPTP Time-aware Endpoint station and TSN Endpoint example application

The stack supports and is enabled in the following Yocto Real-time Edge machines:

- imx8mpevk
- ls1028ardb

4.2.2 Building the image through Yocto

GenAVB/TSN package `genavb-tsn`, is included by default in the Yocto Real-time Edge image `nxp-real-time-edge` when building for the following machines:

- imx8mpevk
- ls1028ardb

Follow [Real-time Edge Software Yocto Project](#) to get the code and setup the build environment.

Run the following commands to build the images for these machines:

```
$ cd yocto-real-time-edge
```

For LS1028ARDB image:

```
$ DISTRO=nxp-real-time-edge MACHINE=ls1028ardb source real-time-edge-setup-env.sh -b build-ls1028ardb
```

For i.MX 8M Plus EVK image:

```
$ DISTRO=nxp-real-time-edge MACHINE=imx8mpevk source real-time-edge-setup-env.sh -b build-imx8mpevk
```

Then, use:

```
$ bitbake nxp-image-real-time-edge
```

4.2.3 GenAVB/TSN stack start/stop

GenAVB/TSN stack can be manually started/stopped at run time by using the following commands:

```
# avb.sh <start|stop>
```

This will start all stack components and example application. The stack can be automatically started during system startup, by setting the variable `CFG_AUTO_START` to 1 in the file `/etc/genavb/config`.

To just start/stop the gPTP stack use:

```
# fgptp.sh <start|stop>
```

4.2.4 Use cases description

4.2.4.1 gPTP Bridge

LS1028ARDB can be used as a generic time-aware bridge, connected to other time-aware end stations or bridges.

By default, LS1028ARDB does not forward packets if no bridge interface is configured under Linux. Enabling bridge interface is dependent on the board used. For example, how to configure bridge interface on LS1028ARDB is described in section [Linux switch configuration](#).

Once gPTP stack is started, logs can be displayed with the following command:

```
# tail -f /var/log/fgptp-br
```

In this log file, one can observe which ports are connected, which ports are currently communicating a synchronized time and what is the role of the port in the time-aware system.

If a port of the bridge is connected to another port capable of communicating a synchronized time, the following log should appear for each enabled gPTP domain:

```
gptp_stats_dump : Port(1) domain(0,0): Role: Master Link: Up asCapable: Yes neighborGptpCapable: Yes
...
gptp_stats_dump : Port(1) domain(1,20): Role: Master Link: Up asCapable: Yes neighborGptpCapable: Yes
```

Role status can also take the value *Slave* depending on *parameters* described in section [Grandmaster parameters](#).

If a port is not connected, *Link* status takes the value *Down*.

If a port is not capable of communicating a synchronized time, *AS_Capable* status takes the value *No*.

For further details about gPTP logs, refer to section [gPTP Bridge](#).

4.2.4.2 gPTP Endpoint

Once gPTP stack is started, logs can be displayed with the following command:

```
# tail -f /var/log/fgptp
```

In this log file, one can observe the role of the port in the time-aware system.

If the port of the endpoint is connected to another port capable of communicating a synchronized time, the following log should appear for each gPTP domain:

```
gptp_stats_dump : Port(0) domain(0,0): Role: Slave Link: Up AS_Capable: Yes neighborGptpCapable: Yes
...
gptp_stats_dump : Port(0) domain(1,20): Role: Slave Link: Up AS_Capable: Yes neighborGptpCapable: Yes
```

Role status can also take the value *Master* depending on *Grandmaster Parameters* described in section [Grandmaster parameters](#).

If a port is not connected, *Link* status takes the value *Down*.

If a port is not capable of communicating a synchronized time, *AS_Capable* status takes the value *No*.

For further details about gPTP logs, refer to section [gPTP Endpoint](#).

4.2.4.3 gPTP multiple domains

This use case illustrates two gPTP domains co-existing independently on a TSN network, over different 802.1AS-2020 Time-aware systems.

The first domain uses the PTP timescale whereas the second domain uses the ARB (arbitrary) timescale.

4.2.4.3.1 Requirements

The reference setup for gPTP multiple domains is made of:

- Two gPTP endpoints (i.MX 8M Plus EVK): EP1-DUT and EP2-DUT
- One gPTP bridge (LS1028ARDB): BR-DUT

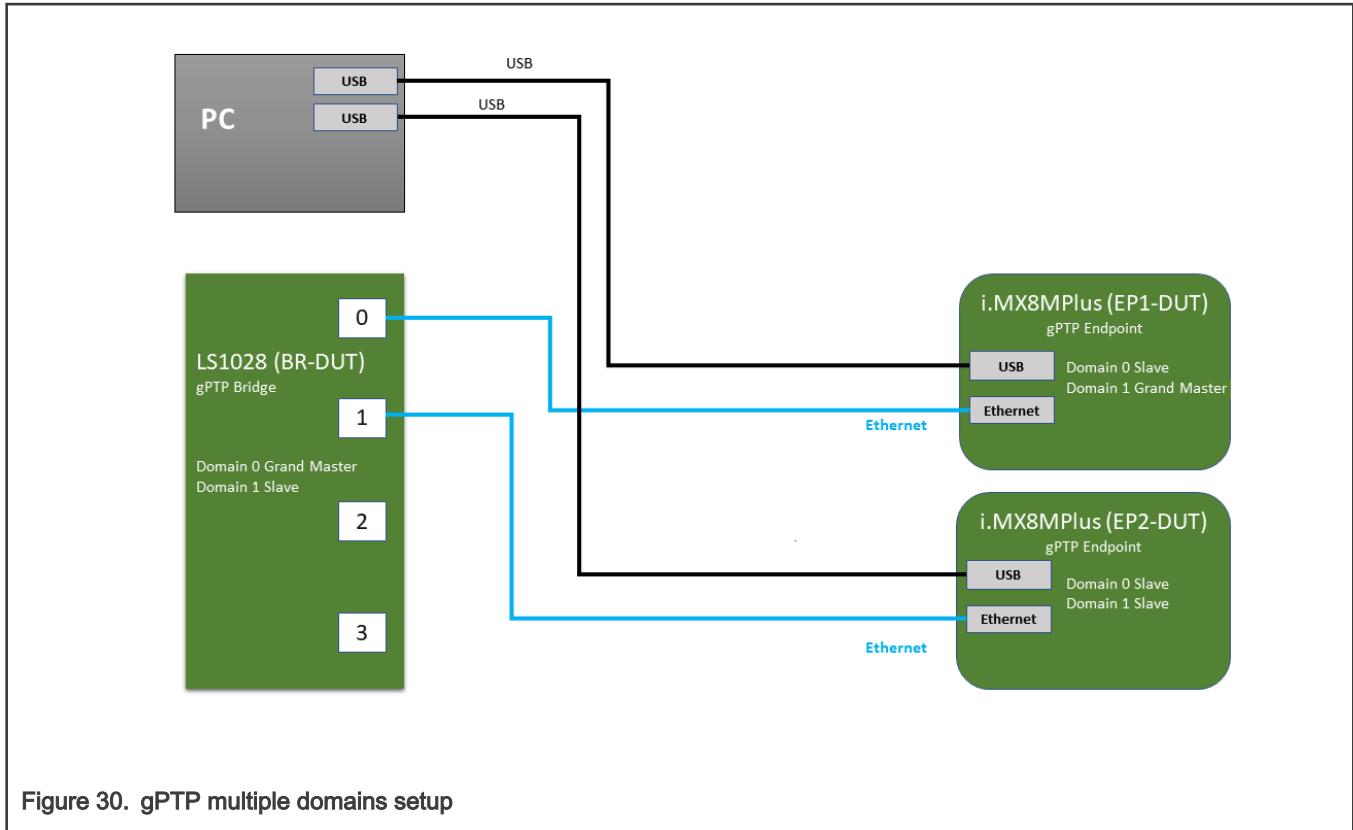


Figure 30. gPTP multiple domains setup

4.2.4.3.2 gPTP Stack Configuration

The gPTP stack can enable or disable each domain independently through a configuration file.

The default configuration file (e.g.: `/etc/genavb/fgptp.cfg`) is for general gPTP parameters as well as domain 0 parameters. To enable other domains, new files must be created with '-N' appended to the filename (e.g.: `/etc/genavb/fgptp.cfg-1` for domain 1).

For gPTP multiple domains, all devices configuration should be changed to support two domains. The first domain (domain 0) must be assigned domain number 0. The second domain (domain 1) is assigned domain number 20.

BR-DUT is defined as the GrandMaster for the first domain (domain 0). EP1-DUT is defined as the GrandMaster for the second domain (domain 1).

On EP1-DUT, edit the file `/etc/genavb/fgptp.cfg-1` and change `domain_number` and `priority1` parameters as follow:

```
domain_number = 20
priority1 = 245
```

On EP2-DUT, edit the file `/etc/genavb/fgptp.cfg-1` and change `domain_number` parameter as follow:

```
domain_number = 20
```

On BR-DUT, edit the file `/etc/genavb/fgptp-br.cfg-1` and change `domain_number` parameter as follow:

```
domain_number = 20
```


ATTENTION

On Domain 0 BR-DUT is the GrandMaster with the highest priority (lowest value) among all devices in the domain (BR-DUT priority1=246, EP1-DUT and EP2-DUT priority1=248)

On Domain 1 EP1-DUT is the GrandMaster with the highest priority (lowest value) among all devices in the domain (BR-DUT priority1=246, EP1-DUT priority1=245 and EP2-DUT priority1=248)

4.2.4.3.3 Evaluation Instructions**Test Procedure**

1. start gPTP stack manually on all DUT's by issuing the command

```
# fgptp.sh start
```

2. wait 30s
3. check gPTP stack logs on BR-DUT (`/var/log/fgptp-br`), EP1-DUT and EP2-DUT (`/var/log/fgptp`)

Verification

After Step 3, log on EP1-DUT is reporting Port 0 as synchronized on domain 0 only:

```
Port(0) domain(0, 0) SYNCHRONIZED - synchronization time (ms): 250
```

After Step 3, log on EP2-DUT is reporting Port 0 as synchronized on all domains :

```
Port(0) domain(0, 0) SYNCHRONIZED - synchronization time (ms): 250
```

```
Port(0) domain(1, 20) SYNCHRONIZED - synchronization time (ms): 250
```

After Step 3, log on BR-DUT is reporting Port 0 as synchronized on domain 1 only:

```
Port(0) domain(1, 20) SYNCHRONIZED - synchronization time (ms): 250
```

The "*Initial adjustment*" message should be reported only once per synchronized domains (domain 0 for EP1-DUT and EP2-DUT, domain 1 for EP2-DUT and BR-DUT):

```
domain(0,0) Initial Adjustment, offset: 125486471315484 ns, freq_adj: 32764
```

```
domain(1,20) Initial Adjustment, offset: 125455671332661 ns, freq_adj: 16384
```

Once synchronization is achieved, all the reported clock offset average values should be stable within -50 to +50 ns range (domain 0 for EP1-DUT and EP2-DUT, domain 1 for EP2-DUT and BR-DUT):

```
domain(0,0) Offset between GM and local clock (ns): min -45 avg 0 max 35
```

```
domain(1,20) Offset between GM and local clock (ns): min -66 avg 0 max 15
```

4.2.4.4 AVB Bridge

This use case illustrates an AVB Bridge (mixing gPTP and SRP stack) with other AVB Endpoints

4.2.4.4.1 Requirements

- Two AVB endpoints (not part of the release)
- One AVB bridge (LS1028ARDB)

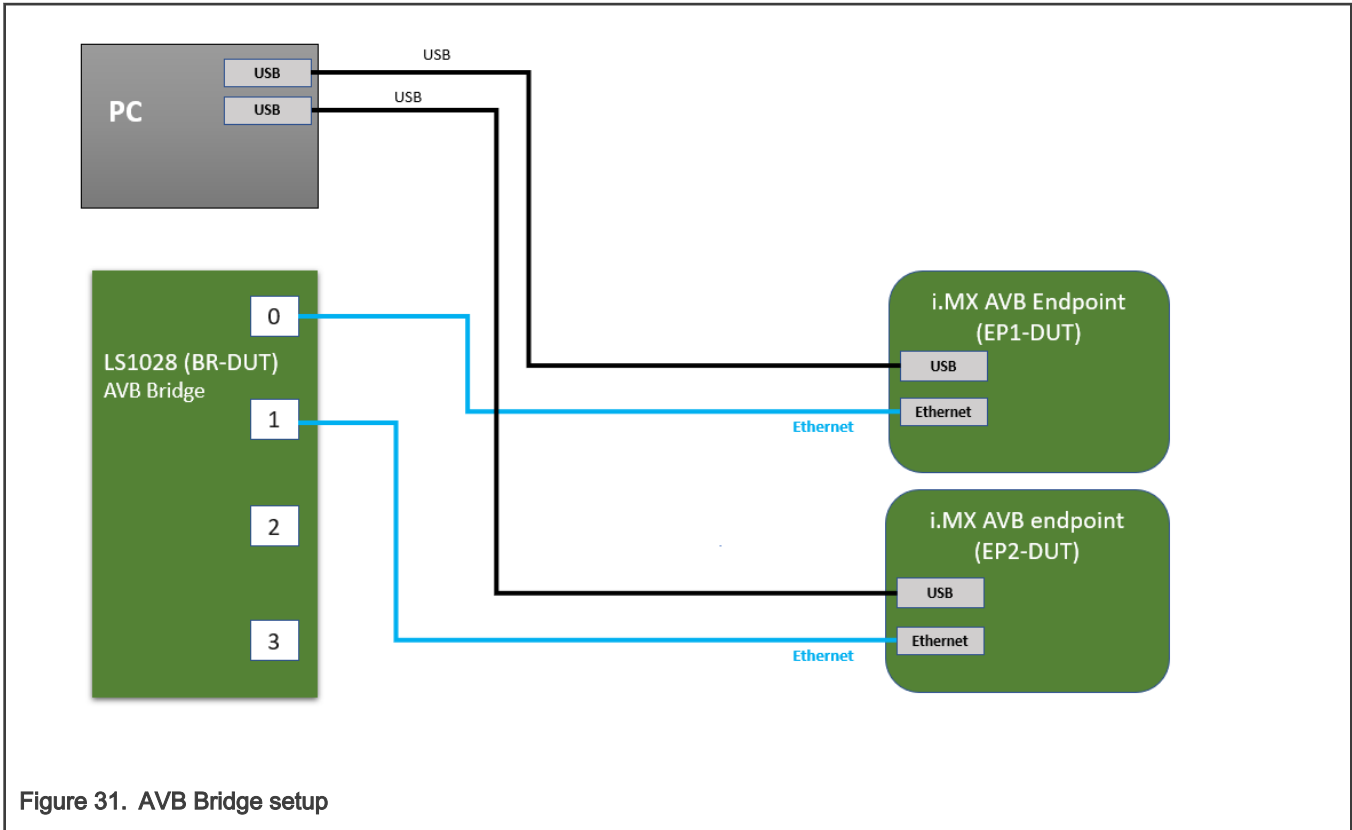


Figure 31. AVB Bridge setup

4.2.4.4.2 AVB network configuration

This topic describes AVB configuration.

4.2.4.4.2.1 Priority to traffic class mapping

The priority to traffic class mapping used for the bridge comes directly from the recommended mapping for two SR classes in IEEE Std 802.1Q-2018 Table 34-1:

Table 47. Priority to traffic class mapping

Priority	0	1	2	3	4	5	6	7
Traffic Class	1	0	6	7	2	3	4	5

The Bridge should be configured to forward VLAN tagged packets based on their PCP values according to this mapping, and should configure credit-based shapers on the two highest traffic classes (traffic class 6 and traffic class 7) for SR class A (priority 3) and SR class B (priority 2) traffic.

Refer to [Setup preparation](#) for the bridge PCP mapping configuration.

4.2.4.4.2.2 FQTSS Credit Based Shapers configuration

The SRP bridge stack relies on preconfigured qdiscs with specific handles to configure the hardware's credit-based shapers, on the two hardware queues with the two highest traffic classes, for every port. Thus, an mqprio qdisc with 8 traffic classes should be configured with the above priority to traffic class mapping and credit-based shapers qdiscs with the following handles: 0x9006 for CBS on traffic class 6 and 0x9007 for CBS on traffic class 7.

Refer to [Setup preparation](#) for the bridge qdisc configuration.

4.2.4.4.2.3 Linux Best Effort Traffic classification

Linux classifies egress packets, for assignment to traffic classes, based on skb priorities. To avoid assigning egress best effort traffic to traffic classes with configured credit-based shapers, the skb priorities should be rewritten so no packets with skb priorities 2 and 3 are present on egress. Furthermore, the bridge code is using the skb priority as the traffic class for packets injected from the CPU port, making packets with skb priorities 6 and 7 end up in the hardware's traffic classes 6 and 7 on the external ports which in turn harms traffic shaping. Again, forcing a remapping of these skb priorities avoids this scenario.

The following commands are an example of the skb priorities remapping on the `swp0` port:

```
# tc qdisc add dev swp0 clsact
# tc filter add dev swp0 egress basic match 'meta(priority eq 2)' or 'meta(priority eq 4)' action
skbedit priority 0
# tc filter add dev swp0 egress basic match 'meta(priority eq 6)' action skbedit priority 4
# tc filter add dev swp0 egress basic match 'meta(priority eq 7)' action skbedit priority 5
```

ATTENTION

Using the traffic control basic filter requires enabling the linux kernel config `CONFIG_NET_EMATCH_META`

4.2.4.4.2.4 Bridge VLAN awareness

A proper AVB bridge functioning requires that the switch forward AVB streams (with multicast destination MAC addresses and specific VLAN ID) only to ports configured in the Forwarding DataBase (FDB). For that, we should enable VLAN filtering on bridge level, add the desired VLAN ID to all ports and disable the default multicast flooding configuration (at least for the two highest priority queues) on all the external ports.

Refer to [Setup preparation](#) for the bridge vlan configuration.

4.2.4.4.3 Setup preparation

To be done at each boot:

1. Setup bridge forwarding:

```
# ip link set dev eno2 up
# ip link add name br0 type bridge
# ip link set br0 up
# ip link set master br0 swp0 up
# ip link set master br0 swp1 up
# ip link set master br0 swp2 up
# ip link set master br0 swp3 up
```

2. Establish the PCP to QoS mapping for every port on the bridge, by setting the

`ES_ANA_PORT_QOS_PCP_DEI_MAP_CFG` registers:

```
# pcp_to_qos_map=([0]="1" [1]="0" [2]="6" [3]="7" [4]="2" [5]="3" [6]="4" [7]="5"); \
for (( i=0; i < 6; ++i )); do \
    for (( pcp=0; pcp < 8; ++pcp )); do \
        devmem2 $((0x1fc287800 + $i * 0x100 + 0x20 + 0x4 * ($pcp + 8 * 0))) w $((($
{pcp_to_qos_map[$pcp]} + 8 * 0)));\
        devmem2 $((0x1fc287800 + $i * 0x100 + 0x20 + 0x4 * ($pcp + 8 * 1))) w $((($
{pcp_to_qos_map[$pcp]} + 8 * 1)));\
    done ;\
done
```

3. Configure the qdiscs and shapers, with the correct handles, for every external port:

```
# pcp_to_qos_map=( [0]="1" [1]="0" [2]="6" [3]="7" [4]="2" [5]="3" [6]="4" [7]="5" ); \
avb_ports="swp0 swp1 swp2 swp3"; \
for port in $avb_ports; do \
    tc qdisc add dev $port root handle 100: mqprio num_tc 8 map ${pcp_to_qos_map[@]} queues 1@0
1@1 1@2 1@3 1@4 1@5 1@6 1@7 hw 0 ; \
    tc qdisc replace dev $port handle 0x9007 parent 100:8 \
        cbs locredit -2147483646 hicredit 2147483647 sendslope -1000000
idleslope 0 offload 0 ; \
    tc qdisc replace dev $port handle 0x9006 parent 100:7 \
        cbs locredit -2147483646 hicredit 2147483647 sendslope -1000000
idleslope 0 offload 0 ; \
done
```

ATTENTION

The most important CBS parameters for every port device are the **parent**, which should match the traffic class 6 and 7, and **handle**, which should be 0x9006 and 0x9007. The other parameters are just initialization values and will be overridden by the stack at run time stream configuration: offload will be set to 1 to offload the operation to hardware, idleslope and sendslope will be set depending on stream and port bit rates and the credit values will be kept at their min and max values as they don't directly affect the hardware shaping operation)

4. Enable Vlan filtering, set the correct Vlan IDs and disable multicast flooding, on the two highest queue priorities (by setting the `ES_ANA_ANA_FLOODING` registers to `PGID_CPU 58`), for every external port:

```
# ip link set br0 type bridge vlan_filtering 1
# bridge vlan add dev swp0 vid 2 master
# bridge vlan add dev swp1 vid 2 master
# bridge vlan add dev swp2 vid 2 master
# bridge vlan add dev swp3 vid 2 master
# devmem2 0x1fc288a00 w 0x0003CF7A
# devmem2 0x1fc288a04 w 0x0003CF7A
```

5. Start the AVB and gPTP stacks:

```
# avb.sh start
```

4.2.4.4.4 Evaluation instructions

1. Reset all endpoints and the bridge.
2. Using the procedures described above, configure the bridge and start the stack on all connected devices (bridge and endpoints)
3. After a few seconds, AVB endpoints should be synchronized through gPTP
4. Connect an SR class A (or SR class B) stream from `EP-DUT2` as talker to `EP-DUT1` as listener: the stream should be forwarded correctly to the listener endpoint

4.2.4.4.4.1 gPTP Operation

If the gPTP protocol is running correctly on all devices, the following line should appear in the bridge gptp log file for every port connected to a gPTP capable device:

```
gptp_stats_dump: Port(0) domain(0, 0): Role: Master   Link: Up   asCapable: Yes neighborGptpCapable:
Yes
...
```

```
gtp_stats_dump: Port(1) domain(0, 0): Role: Master Link: Up asCapable: Yes neighborGtpCapable:
Yes
```

Refer to , for more details on gPTP Bridge operation.

ATTENTION

AVB endpoints can be configured to run at a fixed link speed of 100 Mbits/s and cause to have a pDelay > 800 ns making the port not asCapable. In that case, forcing the link speed at 1Gbits/s will make the pDelay under the threshold and have a proper gPTP operation

4.2.4.4.2 SRP Operation

A detailed view on the SRP protocol communications (Domain declaration, SRP port boundary, Talker/Listener declarations and registration ...) can be followed by printing the SRP specific logs from the AVB bridge stack logfile `/var/log/avb-br :`

```
# tail -f /var/log/avb-br | grep srp
```

On stream connection, the FQTSS and FDB operation should be printed in the AVB bridge stack logfile:

- Stack log shows the FQTSS configuration for the port facing the AVB listener:

```
fqtss_set_oper_idle_slope : logical_port(2) port (swp0, ifindex 5) tc(7)
cbs_qdisc_handle(9007:0): set idle_slope 7872000
```

- Stack log shows the FDB configuration for the port facing the AVB listener:

```
bridge_rtnetlink : add MDB: bridge (br0, ifindex 9) logical_port(2) port (swp0, ifindex 5)
mac_addr(91:e0:f0:00:fe:11) vlan_id(2)
```

Also, the same configuration can be checked using the Linux standard tools (`tc` and `bridge`)

- TC tool shows the FQTSS configuration for the port facing the AVB listener:

```
# tc qdisc show dev swp0
qdisc mqprio 100: root tc 8 map 1 0 6 7 2 3 4 5 0 0 0 0 0 0 0 0
    queues:(0:0) (1:1) (2:2) (3:3) (4:4) (5:5) (6:6) (7:7)
qdisc pfifo 0: parent 9006: limit 1000p
qdisc pfifo 0: parent 9007: limit 1000p
qdisc pfifo_fast 0: parent 100:6 bands 3 priomap 1 2 2 2 1 2 0 0 1 1 1 1 1 1 1 1
qdisc pfifo_fast 0: parent 100:5 bands 3 priomap 1 2 2 2 1 2 0 0 1 1 1 1 1 1 1 1
qdisc pfifo_fast 0: parent 100:4 bands 3 priomap 1 2 2 2 1 2 0 0 1 1 1 1 1 1 1 1
qdisc pfifo_fast 0: parent 100:3 bands 3 priomap 1 2 2 2 1 2 0 0 1 1 1 1 1 1 1 1
qdisc pfifo_fast 0: parent 100:2 bands 3 priomap 1 2 2 2 1 2 0 0 1 1 1 1 1 1 1 1
qdisc pfifo_fast 0: parent 100:1 bands 3 priomap 1 2 2 2 1 2 0 0 1 1 1 1 1 1 1 1
qdisc cbs 9006: parent 100:7 hcredit 2147483647 lcredit -2147483646 sendslope -1000000
idleslope 0 offload 0
qdisc cbs 9007: parent 100:8 hcredit 2147483647 lcredit -2147483648 sendslope -992128 idleslope
7872 offload 1
```

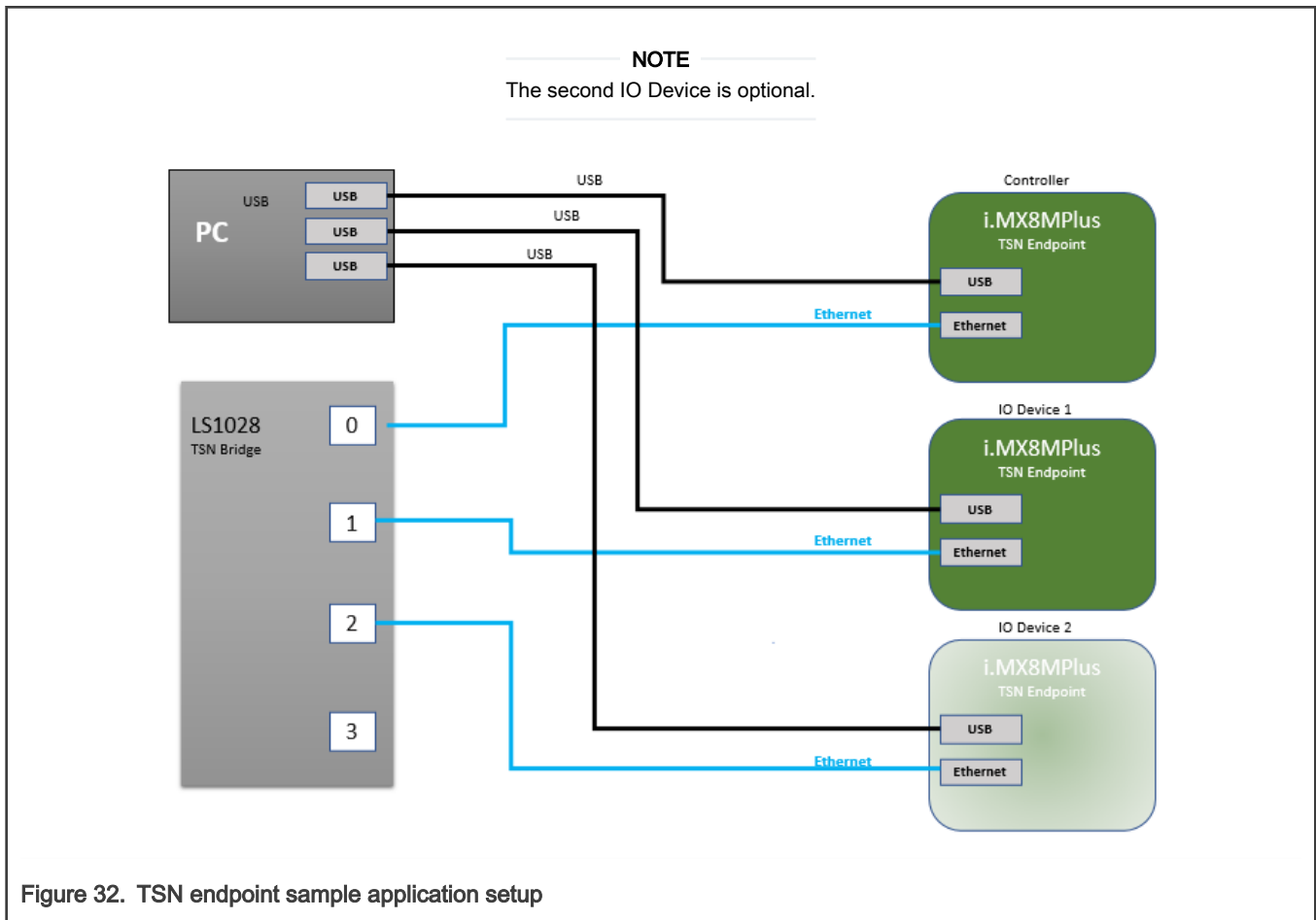
- Bridge tool shows the FDB configuration for the port facing the AVB listener:

```
# bridge mdb show
dev br0 port swp0 grp 91e0:f000:fe11:: permanent offload vid 2
```

4.2.4.5 TSN endpoint sample application

4.2.4.5.1 Requirements

- Two TSN endpoints (i.MX 8M Plus EVK)
- One TSN bridge (LS1028ARDB)



4.2.4.5.2 Configuring GenAVB/TSN stack and example applications

The change from one configuration to another is made by modifying the `/etc/genavb/config` file. This file specifies a pair of configuration files:

1. APPS_CFG_FILE (`apps-*.cfg`) points to a file containing a demo configuration (application to use, options...). It is parsed by the startup script `avb.sh`
2. GENAVB_CFG_FILE (`genavb-*.cfg`) points to a file containing the configuration of the GenAVB/TSN stack and is parsed by the stack.

A configuration profile is made of a pair of `cfg` files. The file `/etc/genavb/config` already groups the `cfg` files by pairs. Set the `PROFILE` variable to choose the desired configuration profile.

4.2.4.5.3 TSN network configuration

This topic describes TSN configuration.

4.2.4.5.3.1 Streams

The stream details can be used for analysis and also for computing scheduled traffic timings.

Table 48. TSN streams definition

Stream No	Source	Destination	Unicast/ Multicast	Destination MAC Address	Vlan ID	Vlan PCP	Frame Length ¹ (bytes)
Stream1	Controller	IO device(s)	Multicast	91:e0:f0:00:fe :70	2	5	84
Stream2	IO device 1	Controller	Multicast	91:e0:f0:00:fe :71	2	5	84
Stream3	IO device 2	Controller	Multicast	91:e0:f0:00:fe :80	2	5	84

1. The frame length includes inter frame gap, preamble, start of frame and CRC (can be used as is for timing calculations)

4.2.4.5.3.2 Scheduled traffic

For deterministic packet transmission the use of scheduled traffic is required both on endpoints and bridges.

The default scheduling configuration for the TSN endpoint example application, as shown in [Figure 29](#), leads to the following traffic schedules.

4.2.4.5.3.2.1 Endpoints

Endpoints are running a schedule with a 2000us period. The base offset of the schedule is aligned to gPTP time modulo 1 second.

Controller transmit gate (for Stream1) opens at 500us offset (relative to the period start).

IO device transmit gate (for Stream2/3) opens at 1000us + 500us offset (relative to the period start).

The gate open interval is around 4us (enough to accommodate the stream frame length plus some margin).

The 500us offset is related to the worst case application latency to send its frame to its peer(s). This value provides a good margin for a Linux PREEMPT-RT system but can be lowered on a well-tuned system.

4.2.4.5.3.2.2 Bridges

The schedule for all Bridges and all Bridge ports that transmit one of the streams above, must have a 2000 μs period and a base offset aligned to gPTP time modulo 1 second.

One possible schedule is to open transmit gate (for the ports and queues transmitting Stream 1) at offset 500 μs and use a gate open interval that accommodates the worst propagation delay.

It is also possible to use a fixed gate open interval but increase the transmit time offset at each hop along the stream path.

For ports and queues transmitting Stream 2 and 3, open the transmit gate at offset 1000 + 500 μs.

4.2.4.5.4 Setup preparation

One of the TSN endpoint needs to be configured as “controller” and the other one as “IO device”. Both endpoints are connected to the TSN bridge.

4.2.4.5.4.1 Preparing the controller

To be done once:

1. Edit the GenAVB configuration file using the following command at the Linux prompt:

```
# vi /etc/genavb/config
```

2. Set the configuration profile to PROFILE 1:

```
PROFILE=1
```

3. Exit and save.

To be done at each boot:

1. Enable reception of packets on VLAN 2 (VLAN hardware filtering is enabled by default on recent kernels):

```
# ip link add link eth1 type vlan id 2
```

2. Enable threaded NAPI and fine-tune the CPU core affinities of the NAPI kthreads:

```
# echo 1 > /sys/class/net/eth1/threaded
# taskset -p 4 `pgrep irq/61-eth1`
# chrt -pf 66 `pgrep irq/61-eth1`
# taskset -p 4 `pgrep napi/eth1-rx-0`
# chrt -pf 65 `pgrep napi/eth1-rx-0`
# taskset -p 4 `pgrep napi/eth1-tx-1`
# chrt -pf 1 `pgrep napi/eth1-tx-1`
# taskset -p 2 `pgrep napi/eth1-tx-2`
# chrt -pf 1 `pgrep napi/eth1-tx-2`
# taskset -p 8 `pgrep napi/eth1-rx-1`
# taskset -p 8 `pgrep napi/eth1-rx-2`
# taskset -p 8 `pgrep napi/eth1-rx-3`
# taskset -p 8 `pgrep napi/eth1-rx-4`
# taskset -p 8 `pgrep napi/eth1-tx-0`
```

3. Start the tsn-app application:

```
# avb.sh start
```

4. Setup scheduled traffic using tc (may be done before or after starting tsn-app):

```
# tc qdisc add dev eth1 parent root handle 100 taprio \
num_tc 3 \
map 0 0 0 0 0 1 2 0 0 0 0 0 0 0 0 \
queues 1@0 1@1 1@2 \
base-time 000500000 \
sched-entry S 0x2 4000 \
sched-entry S 0x5 1996000 \
flags 0x2
```

4.2.4.5.4.2 Preparing IO device(s)

To be done once:

1. Edit the GenAVB configuration file using the following command at the Linux prompt:

```
# vi /etc/genavb/config
```

2. Set the configuration profile to PROFILE 2:

```
PROFILE=2
```


3. Exit and save.

To be done at each boot:

1. Enable reception of packets on VLAN 2 (VLAN hardware filtering is enabled by default on recent kernels):

```
# ip link add link eth1 type vlan id 2
```

2. Enable threaded NAPI and fine-tune the CPU core affinities of the NAPI kthreads:

```
# echo 1 > /sys/class/net/eth1/threaded
# taskset -p 4 `pgrep irq/61-eth1`
# chrt -pf 66 `pgrep irq/61-eth1`
# taskset -p 4 `pgrep napi/eth1-rx-0`
# chrt -pf 65 `pgrep napi/eth1-rx-0`
# taskset -p 4 `pgrep napi/eth1-tx-1`
# chrt -pf 1 `pgrep napi/eth1-tx-1`
# taskset -p 2 `pgrep napi/eth1-tx-2`
# chrt -pf 1 `pgrep napi/eth1-tx-2`
# taskset -p 8 `pgrep napi/eth1-rx-1`
# taskset -p 8 `pgrep napi/eth1-rx-2`
# taskset -p 8 `pgrep napi/eth1-rx-3`
# taskset -p 8 `pgrep napi/eth1-rx-4`
# taskset -p 8 `pgrep napi/eth1-tx-0`
```

3. Start the tsn-app application:

```
# avb.sh start
```

4. Setup scheduled traffic using tc (may be done before or after starting tsn-app):

```
# tc qdisc add dev eth1 parent root handle 100 taprio \
num_tc 3 \
map 0 0 0 0 0 1 2 0 0 0 0 0 0 0 0 \
queues 1@0 1@1 1@2 \
base-time 001500000 \
sched-entry S 0x2 4000 \
sched-entry S 0x5 1996000 \
flags 0x2
```

4.2.4.5.4.3 Preparing the Bridge

Refer to section [TSN configuration](#) and [Tc-taprio usage](#) to configure scheduled traffic on the LS1028ARDB board.

The schedule described in section [Bridges](#) should be followed.

The below steps should be done at each boot:

1. Setup bridge forwarding:

```
# ip link set dev eno2 up
# ip link add name br0 type bridge
# ip link set br0 up
# ip link set master br0 swp0 up
# ip link set master br0 swp1 up
# ip link set master br0 swp2 up
# ip link set master br0 swp3 up
```

2. Start the gPTP stack:

```
# fgptp.sh start
```

3. Setup scheduled traffic (see above)

```
# tc qdisc del dev swp0 root
# tc qdisc del dev swp1 root
# tc qdisc del dev swp2 root

# tc qdisc replace dev swp0 root taprio \
    num_tc 8 \
    map 0 1 2 3 4 5 6 7 \
    queues 1@0 1@1 1@2 1@3 1@4 1@5 1@6 1@7 \
    base-time 1500000 \
    sched-entry S 0x20 20000 \
    sched-entry S 0xdf 1980000 \
    flags 0x2

# tc qdisc replace dev swp1 root taprio \
    num_tc 8 \
    map 0 1 2 3 4 5 6 7 \
    queues 1@0 1@1 1@2 1@3 1@4 1@5 1@6 1@7 \
    base-time 500000 \
    sched-entry S 0x20 20000 \
    sched-entry S 0xdf 1980000 \
    flags 0x2

# tc qdisc replace dev swp2 root taprio \
    num_tc 8 \
    map 0 1 2 3 4 5 6 7 \
    queues 1@0 1@1 1@2 1@3 1@4 1@5 1@6 1@7 \
    base-time 500000 \
    sched-entry S 0x20 20000 \
    sched-entry S 0xdf 1980000 \
    flags 0x2
```

4.2.4.5.4.4 Preparing the OPC UA client

In order to visualize the data exposed by the TSN endpoint application OPC UA server it is required to use an OPC UA client on a PC connected to the bridge.

1. Install an OPC UA client on a PC:
 - a. FreeOpcUa: client with a Qt GUI interface.
Can be found here: <http://freeopcua.github.io/>
 - b. opcua-commander: CLI alternative based nodejs node-opcua stack. Can be found here:
<https://github.com/node-opcua/opcua-commander>
2. Connect the PC to the bridge. If not already done, setup IP addresses on the endpoint running the TSN example application and also on the PC. Then, make sure you can successfully ping the endpoint using the PC.

4.2.4.5.5 Evaluation instructions

1. Reset all endpoints.
2. Using the procedures described above, start the gPTP stack on the bridge, and the tsn-app application on the endpoints.

3. Enable scheduled traffic on the endpoints (and the bridge) with the configuration(s) described above.
4. After a few seconds, TSN endpoints should be synchronized through gPTP and exchanging packets at the rate of 500 packets per second (pps). In order to observe this behavior, logs should be checked.

4.2.4.5.5.1 gPTP operation

If the gPTP protocol is running correctly on an endpoint or on the bridge, the following line should appear in the gptp log file (refer to [gPTP Endpoint](#) for more details):

```
gptp_stats_dump: Port(0) domain(0,0) : Role: Slave Link : Up AS_Capable: Yes
```

If the device is grand master, the role field should be "Master" otherwise it should be "Slave". The line appears periodically, but the role should not change over time, except for significant events (such as a cable disconnection).

4.2.4.5.5.2 Baseline tsn-app operation

If the TSN endpoint sample application is running correctly and receiving valid packets, the following points may be verified in the tsn_app log file (refer to [TSN Endpoint example application](#) for more details).

The following line should appear at regular intervals:

```
socket_stats_print : link up
```

The "valid frames" counter should increment by 2500 (500 pps for 5 seconds) between two appearances of the following log:

```
socket_stats_print : valid frames : XXXXX
```

The various error counters should not increment (it is normal to have non-zero values, because of the startup period when gPTP and/or the remote tsn-app endpoint may not be running and stable):

- "sched early", "sched late", "sched missed", "sched timeout", "sched discont", "clock err"
- "err id", "err ts", "err underflow"
- "frames err" (for both RX and TX directions)

[other]

The checks above apply to all tsn-app endpoints, whether they be the controller or one of the IO devices.

4.2.4.5.5.3 Scheduled traffic evaluation with no concurrent traffic

The observations below assume an otherwise idle system receiving and sending traffic only through the tsn-app application, with a 802.1Qbv schedule in place on all devices (tsn-app endpoints, bridge).

Scheduling error statistics ("sched err") should respect the following:

- min around 8µs
- avg around 11µs
- max around 25µs

```
stats(0xaaab06ed74b0) sched err min 8817 mean 11120 max 22077 rms^2 125202075 stddev^2 1544829 absmin 7417 absmax 1882057
```

Processing time statistics ("processing time") should respect the following:

- min around 23µs
- avg around 29µs

- max around 70µs

```
stats(0xaaab06ed7910) processing time min 23400 mean 29185 max 59100 rms^2 857707540 stddev^2 5943315
absmin 19560 absmax 4143240
```

Traffic latency statistics should respect the following:

- min around 503µs
- avg around 503µs
- max around 503µs
- stddev^2 less than 3000

```
stats(0x419a28) traffic latency min 503417 mean 503503 max 503637 rms^2 253515981945 stddev^2 2004
absmin 503397 absmax 504337
```

4.2.4.5.5.4 Scheduled traffic evaluation with TX best-effort traffic

1. Connect a PC to the 4th port of the LS1028ARDB switch (swp3).
2. Run iperf3 in server mode on the PC (replace ethX by the PC interface connected to the LS1028):

```
# ifconfig ethX 192.168.1.10 up
# iperf3 -s &
# iperf3 -s -p 5202 &
# iperf3 -s -p 5203 &
# iperf3 -s -p 5204 &
```

3. Run iperf3 in client mode on the controller:

```
# ifconfig eth1 192.168.1.80
# taskset 1 iperf3 -c 192.168.1.10 -u -b 900m -i 2 -t 100 &
# taskset 2 iperf3 -p 5202 -c 192.168.1.10 -u -b 0 -i 2 -t 100 &
# taskset 4 iperf3 -p 5203 -c 192.168.1.10 -u -b 0 -i 2 -t 100 &
# taskset 8 iperf3 -p 5204 -c 192.168.1.10 -u -b 0 -i 2 -t 100 &
```

4. Observe stats in the tsn-app log files (a 2nd terminal may have to be opened through SSH). The values should match the table below (in µs):

	min	mean	max	stddev^2
Sched err (controller)	21	29	41	
Processing time (controller)	47	80	260	
Traffic latency (controller and IO device)	503	503	503	<3000

4.2.4.5.5.5 Scheduled traffic evaluation with RX best-effort traffic

[other]

By default, the tsn-app traffic is processed in the same queue as best-effort untagged traffic. To more easily validate tsn-app with best-effort traffic, we should add a VLAN tag with PCP=0 to best-effort packets so they are dispatched into a different queue on receive.

1. Connect a PC to the 4th port of the LS1028ARDB switch (swp3).
2. Run iperf3 in server mode on the controller:

```
# ip link add link eth1 name eth1.5 type vlan id 5
# ifconfig eth1.5 192.168.5.80 up
# iperf3 -s
```

3. Run iperf3 in client mode on the PC (replace ethX by the PC interface connected to the LS1028):

```
# ip link add link ethX name ethX.5 type vlan id 5
# ifconfig ethX.5 192.168.5.10 up
# iperf3 -c 192.168.5.80 -u -b 0 -l 64 -i2 -t 100
```

4. Observe stats in the tsn-app log file (a 2nd terminal may have to be opened through SSH). The values should match the table below (in µs):

	min	mean	max	stddev^2
Sched err (controller)	9	13	26	
Processing time (controller)	25	33	70	
Traffic latency (controller and IO device)	503	503	503	<130000

4.2.4.5.5.6 OPC UA server evaluation

The OPC UA server address is in this format : opc.tcp://<endpoint IP address>:4840/

Once connected, the server objects can be browsed and accessed. The same statistics described in [the TSN example application logs](#) are available as OPC UA objects. The OPC UA server traffic is classified as best effort and doesn't affect the time sensitive traffic.

See below screenshot using FreeOPCUA GUI client:

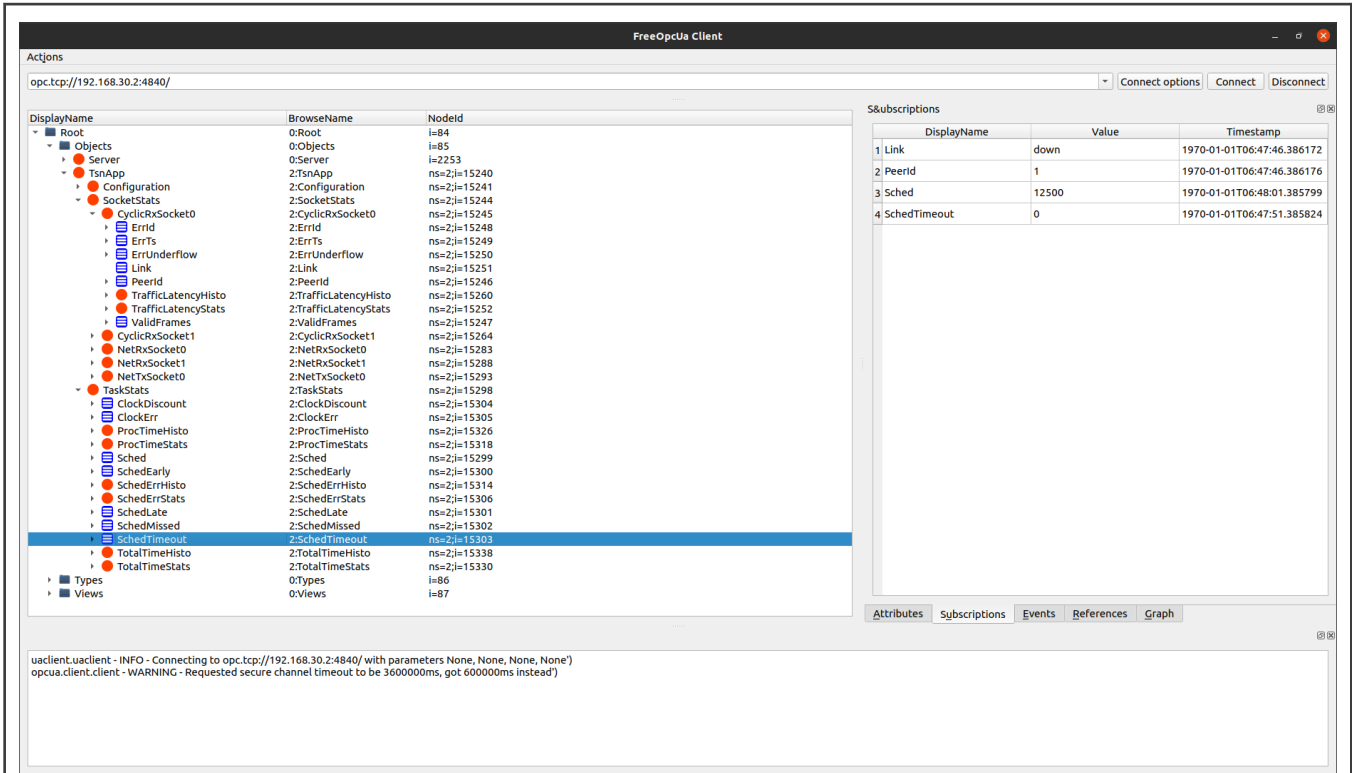


Figure 33. FreeOPCUA GUI client

4.2.5 Configuration files

4.2.5.1 System

The system configuration file, located in `/etc/genavb/system.cfg`, lists system network interface names and PTP hardware clock device names. The default values are used if the configuration file or the option key are missing. The values in the installed file may also be required to be updated to match the system configuration.

This section lists network interface names.

Currently endpoint package supports a single endpoint and bridge package a single bridge (with up to 5 ports).

Table 49. Logical ports

Name	Key	Default value	Description
Endpoint interface	endpoint	eth0	Endpoint network interface name. Only valid for endpoint package, otherwise should be set to "off"
Bridge 0 interfaces	bridge_0	SJA1105P_p0, SJA1105P_p1, SJA1105P_p2, SJA1105P_p3, SJA1105P_p4*	Bridge 0 network interface names (comma separated). Only valid for bridge package, otherwise should be set to "off"

This section lists clock device names.

Clocks names are either a PHC device name or a generic software clock (`sw_clock`). Local clock points to a PHC device, target clocks point to either:

- The same PHC device as local clock (gPTP time is reflected in the local clock)
- A generic software clock (in which case gPTP time is not reflected in the local clock).

Table 50. Clock

Name	Key	Default value	Description
Endpoint gPTP domain 0 target clock	<code>endpoint_gptp_0</code>	<code>/dev/ptp0</code>	Endpoint clock for gPTP domain 0 target clock. Only valid for endpoint package.
Endpoint gPTP domain 1 target clock	<code>endpoint_gptp_1</code>	<code>sw_clock</code>	Endpoint clock for gPTP domain 1 target clock. Only valid for endpoint package.
Endpoint local clock	<code>endpoint_local</code>	<code>/dev/ptp0</code>	Endpoint clock for the local clock. Only valid for endpoint package.
Bridge gPTP domain 0 target clock	<code>bridge_gptp_0</code>	<code>sw_clock</code>	Bridge clock for gPTP domain 0 target clock. Only valid for bridge package.
Bridge gPTP domain 1 target clock	<code>bridge_gptp_1</code>	<code>sw_clock</code>	Bridge clock for gPTP domain 1 target clock. Only valid for bridge package.
Bridge local clock	<code>bridge_local</code>	<code>/dev/ptp1</code>	Bridge clock for the local clock. Only valid for bridge package.

4.2.5.2 gPTP

The gPTP general parameters as well as default domain (domain 0) parameters are defined in the following configuration files depending on the package used:

- Endpoint package: `/etc/genavb/fgptp.cfg`
- Bridge package: `/etc/genavb/fgptp-br.cfg`

To enable other domains, new configuration files must be created with the associated domain instance appended to the configuration file name e.g.:

- Endpoint package, domain 1: `/etc/genavb/fgptp.cfg-1`
- Bridge package, domain 1: `/etc/genavb/fgptp-br.cfg-1`

ATTENTION

By default the GenAVB/TSN gPTP stack is packaged with the general parameters configuration file (`fgptp.cfg` or `fgptp-br.cfg`) and a reference configuration for domain 1 (`fgptp.cfg-1` or `fgptp-br.cfg-1`)

4.2.5.2.1 General

Profile

The gPTP stack can operate in two different modes known as 'standard' or 'automotive' profiles.

When the 'standard' profile is selected, the gPTP stack operates following the specifications described in IEEE 802.1AS. When the 'automotive' profile is selected, the gPTP stack operates following the specifications described in the [AVnu AutoCDSFunctionalSpec_1.4](#) which is a subset of the IEEE 802.1AS standard optimized for automotive applications. IEEE 802.1AS-2020 features are not available in 'automotive' profile (e.g. Multiple domains).

The automotive environment is unique in that it is a closed system. Every network device is known prior to startup and devices do not enter or leave the network, except in the case of failures. Because of the closed nature of the automotive network, it is possible to simplify and improve gPTP startup performance. Specifically, functions like election of a grand master and calculations of wire delays are tasks that can be optimized for a closed system.

Reverse sync feature control

The Reverse Sync feature (Avnu specification) should be used for test/evaluation purpose only. Usually, to measure the accuracy of the clock synchronization, the traditional approach is to use a 1 Pulse Per Second (1PPS) physical output. While this is a good approach, there may be cases where using a 1PPS output is not feasible. More flexible and fully relying on software implementation the Reverse Sync feature serves the same objective using the standard gPTP Sync/Follow-Up messages to relay the timing information, from the Slave back to the GM.

Neighbor propagation delay threshold

The parameter `neighborPropDelayThresh` defines the propagation time threshold, above which a port is not considered capable of participating in the IEEE 802.1AS protocol (see IEEE 802.1AS-2020 - 11.2.2 Determination of `asCapable` and `asCapableAcrossDomains`). If a computed `neighborPropDelay` exceeds `neighborPropDelayThresh`, then `asCapable` is set to FALSE for the port. This setting does not apply to Automotive profile where a link is always considered to be capable or running IEEE 802.1AS.

IEEE 802.1AS-2011 Compatibility

The parameter `force_2011` defines if the gPTP Stack operates following the IEEE 802.1AS-2011 standard, i.e. disabling the IEEE 802.1AS-2020 specifics features such as Multiple Domain support. The use of this option may, in some cases, improve compatibility with gPTP equipment not supporting IEEE 802.1AS-2020 standard.

General configuration parameters¹

Table 51. General parameters

Name	Key	Default value	Range	Description
Profile	profile	"standard"	"standard" or "automotive"	Set fgptp main profile. "standard" - IEEE 802.1AS specs, "automotive" - AVnu automotive profile
Grandmaster ID	gm_id	"0x0001f2fffe0025fe"	64bits EUI format	Set static grandmaster ID in host order (used by automotive profile, ignored in case of standard profile)
Domains	domain_number	0: for default domain -1: for domains different from 0	-1 to 127	Disable (-1) or assign a gPTP domain number to a domain instance.
802.1AS-2011 mode	force_2011	no	"no" or "yes"	Set to "yes" to force 802.1AS-2011 standard. "no" to enable 802.1AS-2020 full support.

Table continues on the next page...

Table 51. General parameters (continued)

Name	Key	Default value	Range	Description
Log output level	log_level	info	crit, err, init, info, or dbg	Set this configuration to dbg to enable debug mode
Reverse sync feature control	reverse_sync	0	0 or 1	Set to 1 to enable reverse sync transmit on slave side
Reverse sync feature interval	reverse_sync_interval	112	32 to 10000	Reverse sync transmit interval in ms units
Neighbor propagation delay threshold	neighborPropDelayThresh	800	32 to 10000000	Neighbor propagation delay threshold expressed in ns
Statistics output interval	statsInterval	10	0 to 255	Statistics output interval expressed in seconds. Use 0 to disable statistics

1. For domain instances other than 0, only domain_number is configurable in this section.

4.2.5.2.2 Grandmaster parameters

This section defines the native Grand Master capabilities of a time-aware system (see IEEE 802.1AS-2020 - 8.6.2 PTP Instance attributes). Grand Master capabilities parameters are defined in the main configuration file for gPTP domain 0 (e.g. fgntp.cfg) and in the additional per domain configuration files for other domains (e.g. fgntp.cfg-1).

gmCapable defines if the time-aware system is capable of being a grandmaster. By default gmCapable is set to 1 as in standard profile operation the Grand Master is elected dynamically by the BMCA. In case of automotive profile gmCapable must be set on each AED node to match the required network topology (i.e. within a given gPTP domain only one node must have its gmCapable property set to 1).

priority1, priority2, clockClass, clockAccuracy and offsetScaledLogVariance are parameters used by the Best Master Clock algorithm to determine which of the Grand Master capable node within the gPTP domain has the highest priority/quality. Note that the lowest value for these parameters matches the highest priority/quality.

Grandmaster capabilities parameters¹

Table 52. Grandmaster parameters

Name	Key	Default value	Range	Description
Grandmaster capable setting	gmCapable	1	0 or 1	Set to 1 if the device has grandmaster capability. Ignored in automotive profile if the port is SLAVE.
Grandmaster priority1 value	priority1	248 for AED-E and 246 for AED-B	0 to 255	Set the priority1 value of this clock
Grandmaster priority2 value	priority2	248	0 to 255	Set the priority2 value of this clock

Table continues on the next page...

Table 52. Grandmaster parameters (continued)

Name	Key	Default value	Range	Description
Grandmaster clock class value	clockClass	248	0 to 255	Set the class value of this clock
Grandmaster clock accuracy value	clockAccuracy	0xfe	0x0 to 0xff	Set the accuracy value of this clock
Grandmaster variance value	offsetScaledLogVariance	17258	0x0 to 0xffff	Set the offset scaled log variance value of this clock

1. The parameters in this section are configurable for all supported domains.

4.2.5.2.3 Automotive parameters

The static pdelay feature is used only if the gPTP stack operates in automotive profile configuration.

At init time the gPTP stack's configuration file is parsed and based on neighborPropDelay_mode the specified initial_neighborPropDelay is applied to all ports and used for synchronization until a pdelay response from the peer is received. This is done only if no previously stored pdelay is available from the nvram database specified by nvram_file. As soon as a pdelay response from the peer is received the 'real' pdelay value is computed, and used for current synchronization. An indication may then be sent via callback up to the OS-dependent layer. Upon new indication the Host may update its nvram database and the stored value will be used at next restart for the corresponding port instead of the initial_neighborPropDelay. The granularity at which pdelay change indications are sent to the Host is defined by the neighborPropDelay_sensitivity parameter.

In the gPTP configuration file the neighborPropDelay_mode parameter is set to 'static' by default, meaning that a predefined propagation delay is used as described above while pdelay requests are still sent to the network.

The 'silent' mode behaves the same way as the 'static' mode except that pdelay requests are never sent at all to the network.

Optionally the neighborPropDelay_mode parameter can be set to standard forcing the stack to operate propagation delay measurements as specified in the 802.1AS specifications even if the automotive profile is selected.

(see AutoCDSFunctionalSpec-1_4 - 6.2.2 Persistent gPTP Values)

Table 53. Automotive parameters

Name	Key	Default value	Value & Range	Description
Pdelay mode	neighborPropDelay_mode	static	'static', 'silent' or 'standard'	Defines pdelay mechanism used
Static pdelay value	initial_neighborPropDelay	250	0 to 10000	Predefined pdelay value applied to all ports. Expressed in ns.
Static pdelay sensitivity	neighborPropDelay_sensitivity	10	0 to 1000	Amount of ns between two pdelay measurements required to trigger a change indication. Expressed in ns.
Nvram file name	nvram_file	/etc/genavb/ fgptp.nvram		Path and nvram file name.

4.2.5.2.4 Timing

Pdelay requests and Sync messages sending intervals have a direct impact on the system synchronization performance. To reduce synchronization time while optimizing overall system load, two levels of intervals are defined. The first level called 'Initial', defines the messages intervals used until pdelay values have stabilized and synchronization is achieved. The second level called 'Operational', defines the messages intervals used once the system is synchronized.

initialLogPdelayReqInterval and operLogPdelayReqInterval define the intervals between the sending of successive Pdelay_Req messages. initialLogSyncInterval and operLogSyncInterval define the intervals between the sending of successive Sync messages. initialLogAnnounceInterval defines the interval between the sending of successive Announce messages

(see AutoCDSFunctionalSpec-1_4 - 6.2.1 Static gPTP Values, IEC-60802 section 5, 802.1AS-2020 sections 10.7 and 11.5)

Table 54. Timing parameters

Name	Key	Default value	Value and Range	Description
Initial pdelay request interval value	initialLogPdelayReqInterval	0	0 to 3	Set pdelay request initial interval between the sending of successive Pdelay_Req messages. Expressed in log2 unit (default 0 -> 1s).
Initial sync interval value	initialLogSyncInterval	-3	-5 to 0	Set sync transmit initial interval between the sending of successive Sync messages. Expressed in log2 unit (default -3-> 125ms).
Initial announce interval value	initialLogAnnounceInterval	0	0 to 3	Set initial announce transmit interval between the sending of successive Announce messages. Expressed in log2 unit (default 0 -> 1s).
Operational pdelay request interval value	operLogPdelayReqInterval	0	0 to 3	Set pdelay request transmit interval used during normal operation state. Expressed in log2 unit (default 0 -> 1s).
Operational sync interval value	operLogSyncInterval	-3	-5 to 0	Set sync transmit interval used during normal operation state. Expressed in log2 unit (default -3 -> 125ms).

4.2.5.2.5 PORT_n

This section describes the settings per port where _n represents the port index starting at _n=1.

Table 55. Port related parameters

Name	Key	Default value	Value & Range	Description
Port role	portRole	disabled	'slave', 'master', 'disabled'	Static port role (ref. 802.1AS-2011, section 14.6.3, Table 10-1), applies to "automotive" profile only.
Ptp port enabled	ptpPortEnabled	1	0 or 1	Set to 1 if both time-synchronization and best master selection functions of the port should be used (ref. 802.1AS-2011, sections 14.6.4 and 10.2.4.12).

4.2.5.3 SRP

The SRP parameters are defined in the following configuration files, depending on the package used:

- Endpoint: `/etc/genavb/srp.cfg`
- Bridge: `/etc/genavb/srp-br.cfg`

The default values are used if the configuration file or the option key are missing. The values in the installed file may also require an update to match the system configuration.

This section lists general SRP stack component parameters.

Table 56. SRP General

Name	Key	Default value	Range	Description
Log output level	log_level	info	crit, err, init, info, or dbg	Log level for the SRP stack component.

This section lists MSRP parameters.

Table 57. MSRP

Name	Key	Default value	Range	Description
Enabled	enabled	1	0-disabled, 1-enabled	Enable/disable MSRP at run time.

4.2.6 Log files

Several log files are available at run time to monitor the different stack components.

4.2.6.1 gPTP Endpoint

Logs are stored in `/var/log/fgptp`.

- Linux command:

```
# tail -f /var/log/fgptp
```

- If the stack is configured in automotive mode, then the log contains:

```
Running fgptp in automotive profile on interface eth0
```

- Port Role, Port AS-capability and link Status are reported each time there is a change in the link state (link is 802.1AS capable or not) or upon Grand Master (GM) change. This information is also displayed regularly along with current synchronization and pdelay statistics for each of the enabled gPTP domain:

```
Port(0) domain(0,0): role changed from DISABLED to SLAVE
...
Port(0) domain(0,0): Slave - Link: Up - AS_Capable: Yes
```

- Selected Grand Master (GM) capabilities are reported upon new GM selection. *Root Identity* represents the clock ID of the currently selected GM. *Priority1*, *Priority2*, *Class* and *Accuracy* describe the clock quality of the selected GM. Finally, the *Source Port Identity* of the peer master port (e.g. the bridge port the local slave port is connected to). This information is displayed for each of the enabled gPTP domain:

```
domain(0,0) Grand master: root identity 00049ffffe039e35
domain(0,0) Grand master: priority1 245 priority2
domain(0,0) Grand master: class 248 accuracy 248
domain(0,0) Grand master: variance 17258
domain(0,0) Grand master: source port identity 0001f2ffffe0025fe, port number 2
```

- *Synchronization State* is reported upon GM selection (SYNCHRONIZED) or when no GM is detected (NOT SYNCHRONIZED). *Synchronization Time* expressed in ms represents the time it took for the local clock to reach synchronization threshold starting from the first SYNC message received. This information is displayed for each of the enabled domain.

```
Port(0) domain(0) SYNCHRONIZED - synchronization time (ms): 250
```

- *Pdelay* (propagation delay) and local clock adjustments are printed out every 5 seconds. *PDelay* is expressed in ns units and represents the one-way delay from the endpoint and its peer master. *Correction* is expressed in parts per billion and represents the frequency adjustment performed to the local clock. *Offset* is expressed in ns represents the resulting difference between the locally adjusted clock and the reference gPTP GrandMaster's clock. (Min/Max/Avg and Variance are computed for both Correction and Offset statistics). *PDelay* is displayed only for Domain 0. *Correction* and *Offset* are displayed for each of the enabled domain.

```
Port 0 domain(0,0): Propagation delay (ns): 37.60 min 34 avg 36 max 45 variance 17
Port 0 domain(0,0): Correction applied to local clock (ppb): min -5603 avg 5572 max 5538 variance 148
Port 0 domain(0,0): Offset between GM and local clock (ns) min -12 avg 4 max 22 variance 111
...
Port 0 domain(1,20): Correction applied to local clock (ppb): min 32074 avg 32314 max 32574 variance 17695
Port 0 domain(1,20): Offset between GM and local clock (ns) min -61 avg 3 max 70 variance 1149
```

- The following per port per domain statistics (32 bits counters) are printed out every 15 seconds on slave and master entities:

Table 58. Port statistics displayed on slave and master entities

Receive counters	
PortStatRxPkts	Number of gPTP packets received (ether type 0x88F7)
PortStatRxSyncCount	Number of SYNC packets received
PortStatRxSyncReceiptTimeouts	Number of SYNC packets receive timeout
PortStatRxFollowUpCount	Number of FOLLOW-UP packets received

Table continues on the next page...

Table 58. Port statistics displayed on slave and master entities (continued)

PortStatRxAnnounce	Number of ANNOUNCE packets received
PortStatAnnounceReceiptTimeouts	Number of ANNOUNCE packets timeout
PortStatAnnounceReceiptDropped	Number of ANNOUNCE packets dropped by the entity
PortStatRxSignaling	Number of SIGNALING packets received
PortStatRxPdelayRequest	Number of PDELAY REQUEST packets received
PortStatRxPdelayResponse	Number of PDELAY RESPONSE packets received
PortStatPdelayAllowedLostResponsesExceeded	Number of excess of allowed lost responses to PDELAY requests
PortStatRxPdelayResponseFollowUp	Number of PDELAY FOLLOW-UP packets received
PortStatRxErrEtype	Number of ether type errors (not 0x88F7)
PortStatRxErrPortId	Number or port ID errors
Transmit counters	
PortStatTxPkts	Number of gGTP packets transmitted
PortStatTxSyncCount	Number of SYNC packets transmitted
PortStatTxFollowUpCount	Number of FOLLOW-UP packets transmitted
PortStatTxAnnounce	Number of ANNOUNCE packets transmitted
PortStatTxSignaling	Number of SIGNALING packets transmitted
PortStatTxPdelayReques	Number of PDELAY REQUEST packets transmitted
PortStatTxPdelayResponse	Number of PDELAY RESPONSE packets transmitted
PortStatTxPdelayResponseFollowUp	Number of PDELAY FOLLOW-UP packets transmitted
PortStatTxErr	Number of transmit errors
PortStatTxErrAlloc	Number of transmit packets allocation errors
Miscellaneous counters	
PortStatAdjustOnSync	Number of adjustments performed upon SYNC received
PortStatMdPdelayReqSmReset	Number of reset of the PDELAY REQUEST state machine
PortStatMdSyncRcvSmReset	Number of reset of the SYNC RECEIVE state machine
PortStatHwTsRequest	Number of egress timestamp requests

Table continues on the next page...

Table 58. Port statistics displayed on slave and master entities (continued)

PortStatHwTsHandler	Number of egress timestamp notification
PortStatNumSynchronizationLoss	Number or synchronization loss on the slave endpoint (e.g. GM change, GM reference clock discontinuity...)
PortStatNumNotAsCapable	Number of transitions from AS_Capable=TRUE to AS_Capable=FALSE

4.2.6.2 gPTP Bridge

Logs are stored in `/var/log/fgptp-br`.

- Linux command:

```
# tail -f /var/log/fgptp-br
```

- The bridge stack statistics are similar to the endpoint stack ones except that they are reported for each of the external ports of the switch (Port 0 to 3) and also for the internal port connected to the endpoint stack (Port 4) in case of Hybrid setup.
- Pdelay* (propagation delay) is printed only for Domain 0. *Link status*, *AS capability* and *Port Role* are printed out for each port and each gPTP domain.

```
Port 0 domain(0,0): Role: Disabled Link: Up AS_Capable: No
Port 1 domain(0,0): Role: Disabled Link: Up AS_Capable: No
Port 2 domain(0,0): Role: Disabled Link: Up AS_Capable: Yes
Port 2 domain(0,0): Propagation delay (ns): 433.98 min 425 avg 438 max 457 variance 87
Port 3 domain(0,0): Role: Disabled Link: Up AS_Capable: No
Port 4 domain(0,0): Role Master Link: Up AS_Capable: Yes
Port 4 domain(0,0): Propagation delay (ns): 433.98 min 425 avg 438 max 457 variance 87
...
Port 0 domain(1,20): Role: Disabled Link: Up AS_Capable: No
Port 1 domain(1,20): Role: Disabled Link: Up AS_Capable: No
Port 2 domain(1,20): Role: Disabled Link: Up AS_Capable: Yes
Port 3 domain(1,20): Role: Disabled Link: Up AS_Capable: No
Port 4 domain(1,20): Role Master Link: Up AS_Capable: Yes
```

4.2.6.3 SRP Bridge

Logs are stored in `/var/log/avb-br`.

- Linux command:

```
# tail -f /var/log/avb-br | grep srp
```

- SRP protocol information is reported per port

```
INFO srp      msrp_vector_add_event      : port(0) domain(5, 2, 2) MSRP_ATTR_TYPE_DOMAIN
MRP_ATTR_EVT_JOINMT
INFO srp      msrp_vector_add_event      : port(0) domain(6, 3, 2) MSRP_ATTR_TYPE_DOMAIN
MRP_ATTR_EVT_JOINMT
INFO srp      msrp_vector_add_event      : port(1) domain(5, 2, 2) MSRP_ATTR_TYPE_DOMAIN
MRP_ATTR_EVT_JOINMT
INFO srp      msrp_vector_add_event      : port(1) domain(6, 3, 2) MSRP_ATTR_TYPE_DOMAIN
MRP_ATTR_EVT_JOINMT
INFO srp      msrp_vector_add_event      : port(2) domain(5, 2, 2) MSRP_ATTR_TYPE_DOMAIN
```

```

MRP_ATTR_EVT_JOINMT
INFO srp      msrp_vector_add_event      : port(2) domain(6, 3, 2) MSRP_ATTR_TYPE_DOMAIN
MRP_ATTR_EVT_JOINMT
INFO srp      msrp_vector_add_event      : port(4) domain(5, 2, 2) MSRP_ATTR_TYPE_DOMAIN
MRP_ATTR_EVT_JOINMT
INFO srp      msrp_vector_add_event      : port(4) domain(6, 3, 2) MSRP_ATTR_TYPE_DOMAIN
MRP_ATTR_EVT_JOINMT
INFO srp      msrp_vector_handler        : port(3) domain(5, 2, 2) MRP_ATTR_EVT_MT
INFO srp      msrp_vector_handler        : port(3) domain(6, 3, 2) MRP_ATTR_EVT_MT
INFO srp      msrp_vector_handler        : port(3) domain(5, 2, 2) MRP_ATTR_EVT_JOINMT
INFO srp      msrp_vector_handler        : port(3) domain(6, 3, 2) MRP_ATTR_EVT_JOINMT
INFO srp      msrp_vector_add_event      : port(3) domain(5, 2, 2) MSRP_ATTR_TYPE_DOMAIN
MRP_ATTR_EVT_JOININ
INFO srp      msrp_vector_add_event      : port(3) domain(6, 3, 2) MSRP_ATTR_TYPE_DOMAIN
MRP_ATTR_EVT_JOININ
INFO srp      msrp_vector_add_event      : port(3) domain(5, 2, 2) MSRP_ATTR_TYPE_DOMAIN
MRP_ATTR_EVT_JOININ
INFO srp      msrp_vector_add_event      : port(3) domain(6, 3, 2) MSRP_ATTR_TYPE_DOMAIN
MRP_ATTR_EVT_JOININ
INFO srp      msrp_vector_add_event      : port(0) domain(5, 2, 2) MSRP_ATTR_TYPE_DOMAIN
MRP_ATTR_EVT_MT
INFO srp      msrp_vector_add_event      : port(0) domain(6, 3, 2) MSRP_ATTR_TYPE_DOMAIN
MRP_ATTR_EVT_MT
INFO srp      msrp_vector_add_event      : port(1) domain(5, 2, 2) MSRP_ATTR_TYPE_DOMAIN
MRP_ATTR_EVT_MT
INFO srp      msrp_vector_add_event      : port(1) domain(6, 3, 2) MSRP_ATTR_TYPE_DOMAIN
MRP_ATTR_EVT_MT
INFO srp      msrp_vector_add_event      : port(2) domain(5, 2, 2) MSRP_ATTR_TYPE_DOMAIN
MRP_ATTR_EVT_MT
INFO srp      msrp_vector_add_event      : port(2) domain(6, 3, 2) MSRP_ATTR_TYPE_DOMAIN
MRP_ATTR_EVT_MT
INFO srp      msrp_vector_add_event      : port(4) domain(5, 2, 2) MSRP_ATTR_TYPE_DOMAIN
MRP_ATTR_EVT_MT
INFO srp      msrp_vector_add_event      : port(4) domain(6, 3, 2) MSRP_ATTR_TYPE_DOMAIN
MRP_ATTR_EVT_MT

```

4.2.6.4 TSN Endpoint example application

Logs are stored in `/var/log/tsn_app`.

The TSN application has various counters and statistics which help to validate:

- application scheduling and processing timing statistics
- network traffic correctness and latency statistics

Most of the information in the logs are either:

- Counters: single integer values counting specific events (frames received, transmitted, errors, etc)
- Statistics: composite data over a series of measurements: min (minimum during the last period), mean (average of measurements during the last period), max (maximum during the last period), rms² (root mean square of measurements during the last period), stddev² (square of standard deviation during the last period), absmin (absolute minimum since the application start), absmax (absolute maximum since the application start)
- Histograms: number and size of slots of the histogram on the 1st line, array of counters for each slot on the 2nd line.

4.2.6.4.1 Main TSN task

The main TSN task logs are described below:

- **End-to-end transparent clock**

A transparent clock that supports the use of the end-to-end delay measurement mechanism between slave clocks and the master clock.

- **Peer-to-peer transparent clock**

A transparent clock that provides Precision Time Protocol (PTP) event transit time information. It also provides corrections for the propagation delay of the link connected to the port receiving the PTP event message. In the presence of peer-to-peer transparent clocks, delay measurements between slave clocks and the master clock are performed using the peer-to-peer delay measurement mechanism.

- **Management node**

A device that configures and monitors clocks.

NOTE

Transparent clock is a device that measures the time taken for a PTP event message to transit the device. It provides this information to clocks receiving the PTP event message.

4.3.3 IEEE 802.1AS time-aware systems

In gPTP, there are only two types of time-aware systems: end stations and Bridges, while IEEE 1588 has ordinary clocks, boundary clocks, end-to-end transparent clocks, and P2P transparent clocks. A time-aware end station corresponds to an IEEE 1588 ordinary clock, and a time-aware Bridge is a type of IEEE 1588 boundary clock where its operation is very tightly defined, so much so that a time-aware Bridge with Ethernet ports can be shown to be mathematically equivalent to a P2P transparent clock in terms of how synchronization is performed.

1. Time-aware end station

An end station that is capable of acting as the source of synchronized time on the network, or destination of synchronized time using the IEEE 802.1AS protocol, or both.

2. Time-aware bridge

A Bridge that is capable of communicating synchronized time received on one port to other ports, using the IEEE 802.1AS protocol.

4.3.4 Software stacks

4.3.4.1 linuxptp stack

Features of open source linuxptp

- Supports hardware and software time stamping via the Linux SO_TIMESTAMPING socket option.
- Supports the Linux PTP Hardware Clock (PHC) subsystem by using the clock_gettime family of calls, including the clock_adjtimex system call.
- Implements Boundary Clock (BC), Ordinary Clock (OC) and Transparent Clock (TC).
- Transport over UDP/IPv4, UDP/IPv6, and raw Ethernet (Layer 2).
- Supports IEEE 802.1AS-2011 in the role of end station.
- Modular design allowing painless addition of new transports and clock servos.
- Implements unicast operation.
- Supports a number of profiles, including:
 - The automotive profile.
 - The default 1588 profile.

- The enterprise profile.
- The telecom profiles G.8265.1, G.8275.1, and G.8275.2.
- Supports the NetSync Monitor protocol.
- Implements Peer to peer one-step.
- Supports bonded, IPoIB, and vlan interfaces.

Note: the features listed are from linuxptp website. It does not mean all these features work on release boards. The hardware 1588 capability, driver support and ptp4l version needs to be considered. Refer to following user manual of this chapter for what had been verified.

Features added by Real-time Edge

- Supports IEEE 802.1AS-2011 in the role of time-aware bridge.
- Support dynamic direction in ts2phc to cooperate with ptp4l.

4.3.4.2 NXP GenAVB/TSN gPTP stack

Following are the features of the NXP GenAVB/TSN gPTP stack:

- Implements gPTP IEEE 802.1AS-2020, for both time-aware Endpoint and Bridge systems
- Implements gPTP BMCA
- Supports GrandMaster, Master, and Slave capabilities
- Supports multiple gPTP domains
- Supports Avnu Alliance Automotive profile
- Supports configuration profiles for the stack
- Supports hardware time stamping via the Linux `SO_TIMESTAMPING` socket option
- Supports the Linux PTP Hardware Clock (PHC) subsystem by using the `clock_gettime` family of calls, including the `clock_adjtimex` system call.

4.3.5 Quick Start for IEEE 1588

4.3.5.1 Ordinary clock verification

Connect two network interfaces in back-to-back manner for two boards. Make sure there is no MAC address conflict on the boards, the IP addresses are set properly and ping the test network. Run `linuxptp` on each board. For example, `eth0` is used on each board.

```
$ ptp4l -i eth0 -m
```

On running the above command time synchronization will start, and the slave `linuxptp` selected automatically will synchronize to master with synchronization messages displayed, such as time offset, path delay and so on. For example,

```
ptp4l[878.504]: master offset      -10 s2 freq  -2508 path delay  1826
ptp4l[878.629]: master offset      -5 s2 freq  -2502 path delay  1826
ptp4l[878.754]: master offset       0 s2 freq  -2495 path delay  1826
ptp4l[878.879]: master offset       9 s2 freq  -2482 path delay  1826
ptp4l[879.004]: master offset      -9 s2 freq  -2507 path delay  1826
ptp4l[879.129]: master offset     -24 s2 freq  -2530 path delay  1826
ptp4l[879.255]: master offset      -7 s2 freq  -2508 path delay  1826
ptp4l[879.380]: master offset      -2 s2 freq  -2502 path delay  1826
ptp4l[879.505]: master offset     -17 s2 freq  -2524 path delay  1827
ptp4l[879.630]: master offset       6 s2 freq  -2493 path delay  1827
```

```
ptp4l[879.755]: master offset      6 s2 freq  -2492 path delay  1827
ptp4l[879.880]: master offset      0 s2 freq  -2500 path delay  1827
```

Some other options of ptp4l

```
Delay Mechanism
-E      E2E, delay request-response (default)
-P      P2P, peer delay mechanism

Network Transport
-2      IEEE 802.3
-4      UDP IPV4 (default)
-6      UDP IPV6
```

Note: must keep same delay mechanism and network transport protocol used on two boards.

Configure master mode

In default, the master clock is selected by BMC (Best Master Clock) algorithm. To appoint a specific clock as master, a lower "priority1" attribute value than the other clock can be set. Lower value takes precedence. For example, in current case, specify one clock as master with below option. (The other clock is using default priority1 value 128.)

```
--priority1=127
```

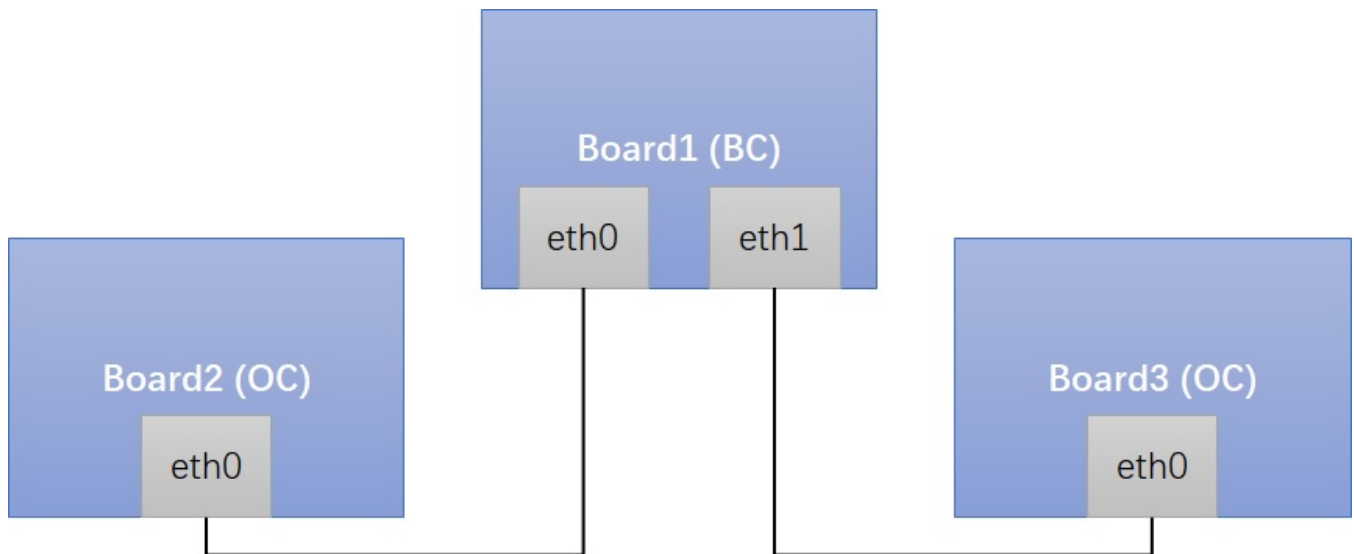
One-step timestamping

Currently one-step timestamping is supported only on DPAA2. To use one-step timestamping, add below option for ptp4l running.

```
--twoStepFlag=0
```

4.3.5.2 Boundary clock verification

At least three boards are needed. Below is an example for three boards network connection. Make sure there is no MAC address conflict on the boards, the IP addresses are set properly and ping the test network.



Run `linuxptp` on Board1 (boundary clock).

```
$ ptp4l -i eth0 -i eth1 -m
```

Run `linuxptp` on Board2/Board3 (ordinary clock).

```
$ ptp4l -i eth0 -m
```

On running the above command, time synchronization will start, and the slaves `linuxptp` selected automatically will synchronize to the unique master with synchronization messages displayed such as time offset, path delay and so on. For example,

```
ptp4l[878.504]: master offset      -10 s2 freq  -2508 path delay  1826
ptp4l[878.629]: master offset      -5 s2 freq  -2502 path delay  1826
ptp4l[878.754]: master offset       0 s2 freq  -2495 path delay  1826
ptp4l[878.879]: master offset       9 s2 freq  -2482 path delay  1826
ptp4l[879.004]: master offset      -9 s2 freq  -2507 path delay  1826
ptp4l[879.129]: master offset     -24 s2 freq  -2530 path delay  1826
ptp4l[879.255]: master offset      -7 s2 freq  -2508 path delay  1826
ptp4l[879.380]: master offset      -2 s2 freq  -2502 path delay  1826
ptp4l[879.505]: master offset     -17 s2 freq  -2524 path delay  1827
ptp4l[879.630]: master offset       6 s2 freq  -2493 path delay  1827
ptp4l[879.755]: master offset       6 s2 freq  -2492 path delay  1827
ptp4l[879.880]: master offset       0 s2 freq  -2500 path delay  1827
```

Some other options of `ptp4l`

```
Delay Mechanism
-E          E2E, delay request-response (default)
-P          P2P, peer delay mechanism

Network Transport
-2          IEEE 802.3
-4          UDP IPV4 (default)
-6          UDP IPV6
```

Note: must keep same delay mechanism and network transport protocol used on these boards.

Configure master mode

In default, the master clock is selected by BMC (Best Master Clock) algorithm. To appoint a specific clock as master, a lower "priority1" attribute value than the other clock can be set. Lower value takes precedence. For example, in current case, specify one clock as master with below option. (The other clocks is using default priority1 value 128.)

```
--priority1=127
```

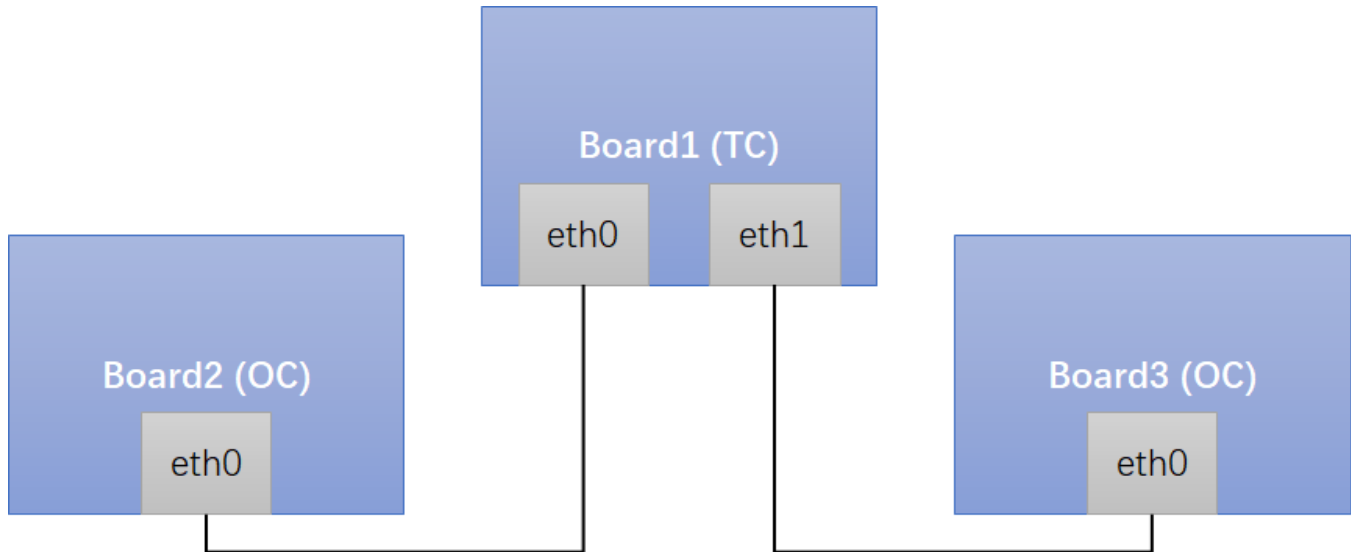
One-step timestamping

Currently one-step timestamping is supported only on DPAA2. To use one-step timestamping, add below option for `ptp4l` running.

```
--twoStepFlag=0
```

4.3.5.3 Transparent clock verification

At least three boards are needed. Below is an example for three boards network connection. Make sure there is no MAC address conflict on the boards, the IP addresses are set properly, and ping the test network.



Run `linuxptp` on Board1 (transparent clock). If want Board1 works as E2E TC, use `E2E-TC.cfg`. If want Board1 works as P2P TC, use `P2P-TC.cfg`.

```
$ ptp4l -i eth0 -i eth1 -f /etc/linuxptp/E2E-TC.cfg -m
```

Run `linuxptp` on Board2/Board3 (ordinary clock).

```
$ ptp4l -i eth0 -m
```

On running the above commands, time synchronization will start between ordinary clocks, and the slave `linuxptp` selected automatically will synchronize to the master with synchronization messages displayed such as time offset, path delay and so on.

4.3.6 Quick Start for IEEE 802.1AS

The following sections describe the steps for implementing IEEE 802.1AS on NXP boards. The following steps make use of `linuxptp` stack but similar commands can be executed with NXP GenAVB/TSN gPTP stack on supported boards, as described [here](#).

4.3.6.1 Time-aware end station verification

Connect two network interfaces in back-to-back way for two boards. Make sure no MAC address conflict on the boards, IP address set properly and ping test work.

Remove below option in `/etc/linuxptp/gPTP.cfg` to use default larger value, because estimate path delay including PHY delay may exceed 800ns since hardware is using MAC timestamping.

```
neighborPropDelayThresh 800
```

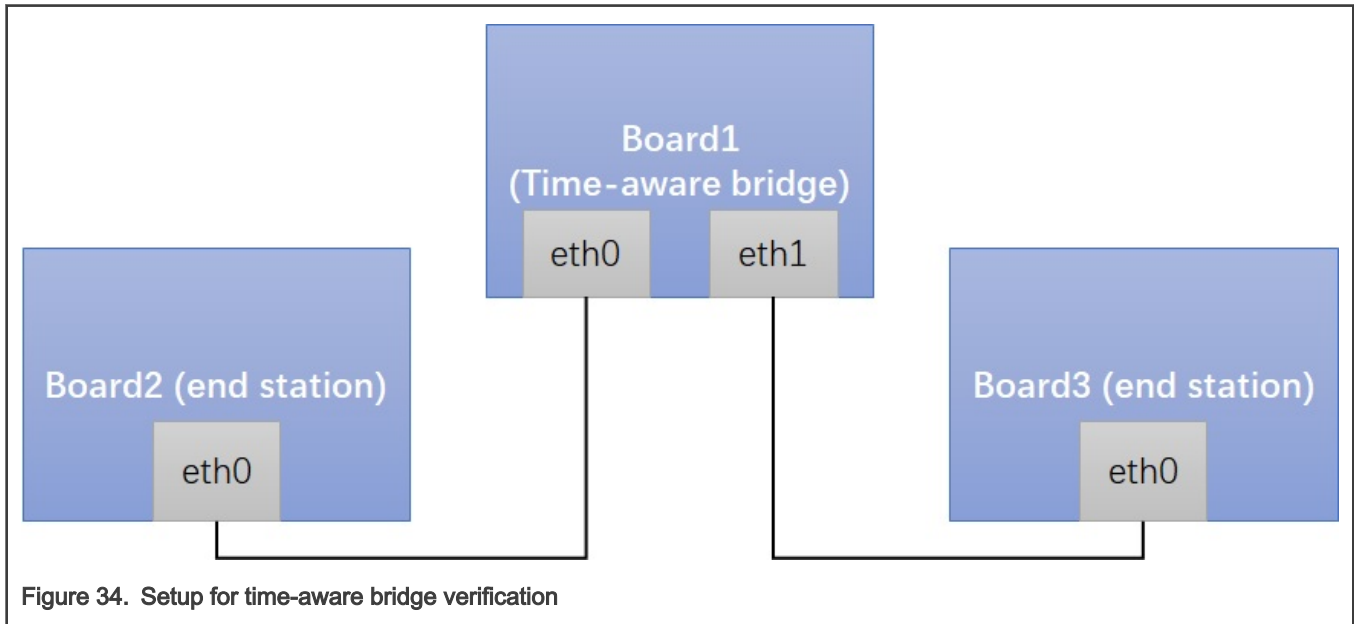
Run `linuxptp` on each board. For example, `eth0` is used on each board.

```
$ ptp4l -i eth0 -f /etc/linuxptp/gPTP.cfg -m
```

Time synchronization will start, and the slave `linuxptp` selected automatically will synchronize to master with synchronization messages printed, like time offset, path delay and so on.

4.3.6.2 Time-aware bridge verification

At least three boards are needed for the time-aware bridge verification. Below is an example of the network connection amongst the three boards. Make sure there is no MAC address conflict on the boards.



Remove the below option in `/etc/linuxptp/gPTP.cfg` file to use the default larger value, because estimated path delay including PHY delay may exceed 800 ns since hardware is using MAC timestamping.

```
neighborPropDelayThresh 800
```

Run linuxptp on Board1 (time-aware bridge) using the command below:

```
$ ptp4l -i eth0 -i eth1 -f /etc/linuxptp/gPTP.cfg -m
```

Run linuxptp on Board2/Board3 (time-aware end station) using the command:

```
$ ptp4l -i eth0 -f /etc/linuxptp/gPTP.cfg -m
```

Time synchronization will start between the three boards, and the linuxptp slaves selected will automatically synchronize to the unique master with synchronization messages displayed (such as time offset, path delay and so on).

4.3.7 Long term test

This section describes the long term test results for Linux PTP stack implementation.

4.3.7.1 linuxptp basic synchronization

Linux PTP

Connection: back-to-back master to slave

Configuration: Sync internal is -3

Test boards: two LS1021A-TSN boards, one as master and another one as slave.

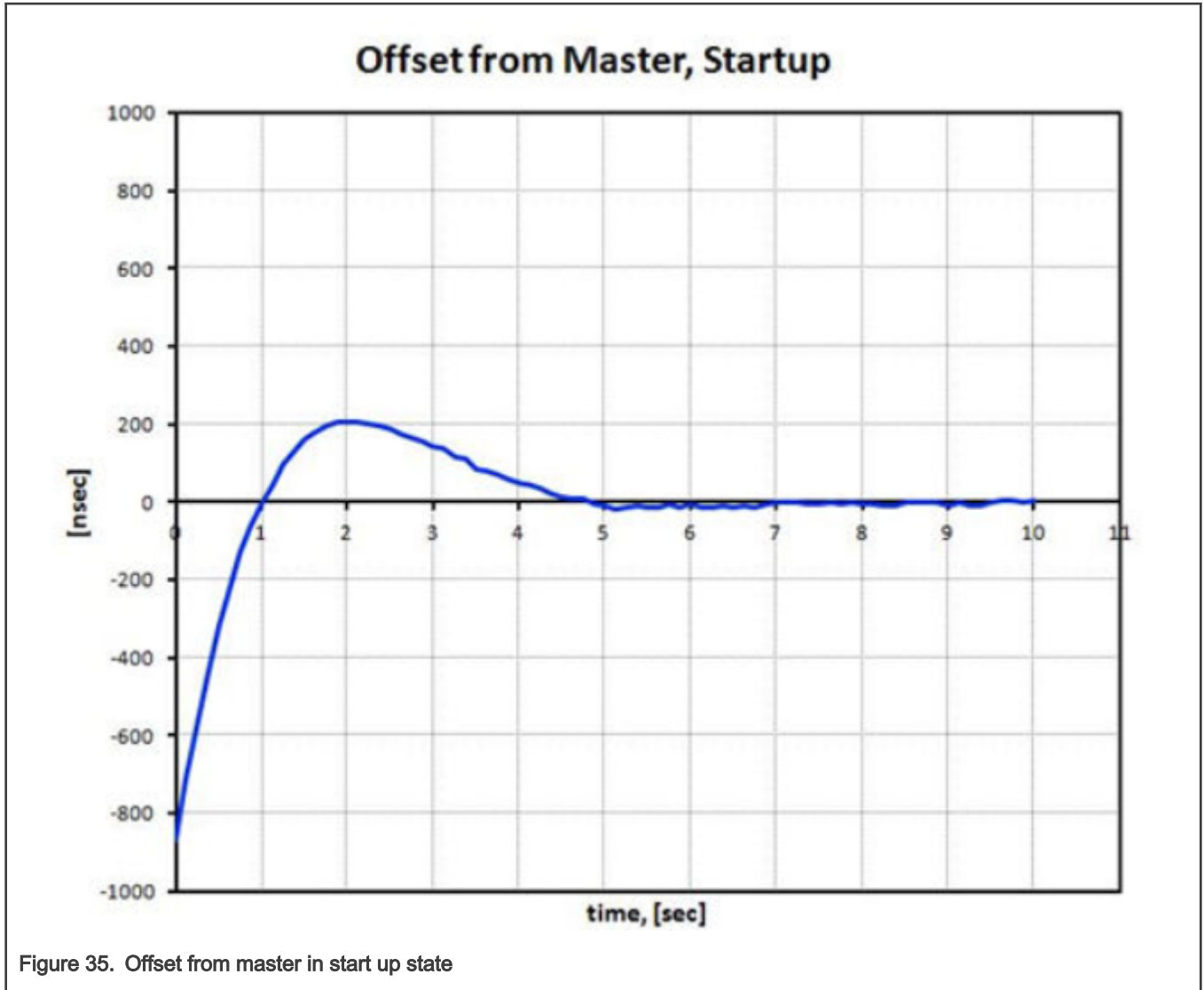


Figure 35. Offset from master in start up state

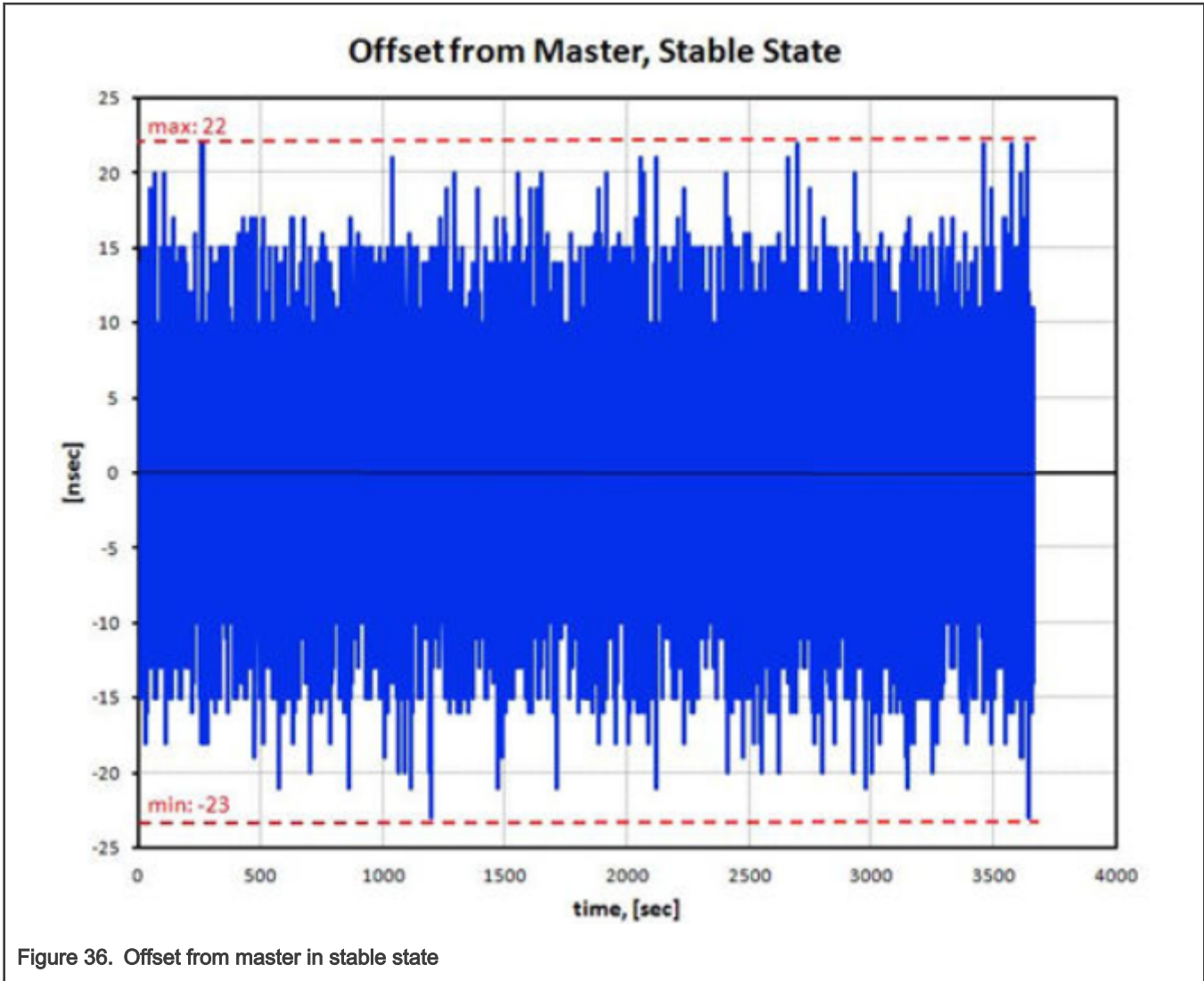


Figure 36. Offset from master in stable state

4.3.8 Known issues and limitations

1. When LS1028A TSN switch in Linux is configured as L2 switch, the interfaces should not be configured with IP addresses. Running `linuxptp` on these interfaces must use Ethernet protocol instead of UDP/IP. The method is to add an option "-2" executing `ptp4l` command. For example,

```
$ ptp4l -i eth0 -2 -m
```

2. i.MX 8M Plus current `dwmac` driver (`eth1`) initializes some hardware functions during opening net device, including PTP initialization. Before that, the operations on it may not work, like `ethtool` queries, and PTP operations. So, the workaround is, do operations on the `eth1` and PTP of `dwmac` only after "`ifconfig eth1 up`".

3. If below error is reported during `ptp4l` running, just try to increase `tx_timestamp_timeout`. User space may need to wait longer for TX timestamp.

For example, use option `--tx_timestamp_timeout=20` when running `ptp4l` as shown below:

```
ptp4l[1560.726]: timed out while polling for tx timestamp
ptp4l[1560.726]: increasing tx_timestamp_timeout may correct this issue, but it is likely caused by a
driver bug
```

4.4 Networking

4.4.1 Q-in-Q on LS1028A Felix switch

1. Q-in-Q feature

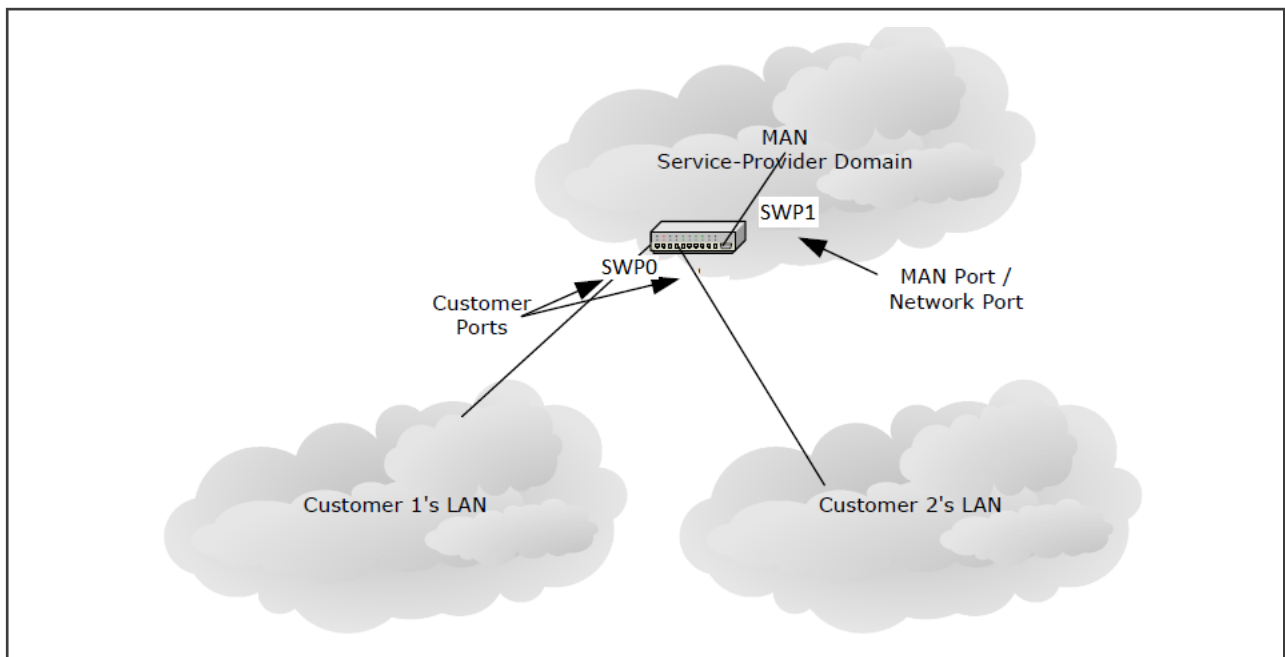
Q-in-Q feature allows service providers to create a Layer 2 Ethernet connection between two user sites. Providers can segregate different user's VLAN traffic on a link or bundle using different user VLANs. When using Q-in-Q, the user's 802.1Q VLAN tags (C-TAG:0x8100) are prepended by the service VLAN tag (S-TAG: 0x88A8).

2. Q-in-Q application scenario

In the following scenario, switch's port swp0 connects with Customer 1's LAN, swp1 connects with ISP's MAN, The traffic with VLAN tag is shown below:

uplink: Customer LAN (only C-TAG) -> swp0 -> swp1 (add S-TAG) -> ISP MAN (S-TAG + C-TAG)

downlink: ISP MAN (S-TAG + C-TAG) -> swp1 (pop S-TAG)-> swp0 (only C-TAG) -> Customer LAN



3. Q-in-Q configuration example

a. Enable swp1 Q-in-Q mode

```
devlink dev param set pci/0000:00:00.5 name qinq_port_bitmap value 2 cmode runtime
```

NOTE

- 0000:00:00.5 is the PCIe bus and device number of ocelot switch.
- The value 2 is bitmap for port 1. If port n is linked to ISP MAN, the related bit n should be set to 1.

b. Create bridge and add ports:

```
ip link add dev br0 type bridge vlan_protocol 802.1ad
ip link set dev swp0 master br0
ip link set dev swp1 master br0
ip link set dev br0 type bridge vlan_filtering 1
```

c. Set swp0 pvid and set untagged for egress traffic:

```
bridge vlan del dev swp0 vid 1 pvid
bridge vlan add dev swp0 vid 100 pvid untagged
bridge vlan add dev swp1 vid 100
```

d. Result

```
Customer(tpid:8100 vid:111) -> swp0 -> swp1 -> ISP(STAG tpid:88A8 vid:100, CTAG
tpid:8100 vid:111)
ISP(tpid:88A8 vid:100 tpid:8100 vid:222) -> swp1 -> swp0 -> Customer(tpid:8100 vid:222)
```

4.4.2 VCAP on LS1028A Felix switch

The VCAP is a content-aware packet processor for wire-speed packet inspection. It is using “tc flower” command to set the filter and actions. Following keys and actions are supported on LS1028A:

keys:

- vlan_id
- vlan_prio
- dst_mac/src_mac for non IP frames
- dst_ip/src_ip
- dst_port/src_port

actions:

- trap
- drop
- police
- vlan modify
- vlan push(Egress)

Use the following commands to set, get and delete VCAP rules:

```
tc qdisc add dev swp0 clsact
tc filter add dev swp0 ingress chain [chain-id] protocol [ip/802.1Q] flower skip_sw [keys]
action [actions]
tc -s filter show dev swp0 ingress chain [chain-id]
tc filter del dev swp0 ingress chain [chain-id] pref [pref_id]

tc qdisc add dev swp1 clsact
tc filter add dev swp1 egress protocol 802.1Q flower skip_sw [keys] action vlan push id [value]
priority [value]
tc filter show dev swp1 egress
tc filter del dev swp1 egress pref [pref_id]
```

There are two ingress VCAPs and one egress VCAPs. The tc-flower chains are used on LS1028A ingress ports. Each action has a fixed chain. Following is the chain allocation:

Table 59. Chain allocation

chain ID	Actions	Hardware module	keys
10000	skbedit priority	IS1 lookup 0	Source MAC address, source IP address (32 bits) outer VLAN, IP protocol,

Table continues on the next page...

Table 59. Chain allocation (continued)

chain ID	Actions	Hardware module	keys
			source TCP/UDP ports.
11000	vlan pop; vlan modify	IS1 lookup 1	Inner and outer VLAN, source and destination IP addresses (32 bits), IP protocol, source and destination TCP/UDP ports.
12000	goto chain [PAG]	IS1 lookup 2	Source MAC address, source IP address (32 bits) outer VLAN, IP protocol, source TCP/UDP ports.
20000-20255	police	IS2 lookup 0	Source and destination MAC address, source and destination IP addresses (32 bits), IP protocol, source and destination TCP/UDP ports.
21000-21255	drop; trap; redirect	IS2 lookup 1	Source and destination MAC address, source and destination IP addresses (32 bits), IP protocol, source and destination TCP/UDP ports.
30000	gate; police	PSFP	destination MAC address and Vlan ID

Before using chains, users should register each chain and set chain pipeline order for a packet. The hardware ingress order is: **IS1->IS2->PSFP**.

```
tc qdisc add dev swp0 clsact
tc filter add dev swp0 ingress chain 0 pref 49152 flower skip_sw action goto chain 10000
tc filter add dev swp0 ingress chain 10000 pref 49152 flower skip_sw action goto chain 11000
tc filter add dev swp0 ingress chain 11000 pref 49152 flower skip_sw action goto chain 12000
tc filter add dev swp0 ingress chain 12000 pref 49152 flower skip_sw action goto chain 20000
tc filter add dev swp0 ingress chain 20000 pref 49152 flower skip_sw action goto chain 21000
tc filter add dev swp0 ingress chain 21000 pref 49152 flower skip_sw action goto chain 30000
```

After registering the chain, add rules to the corresponding chain. following are the use cases for testing:

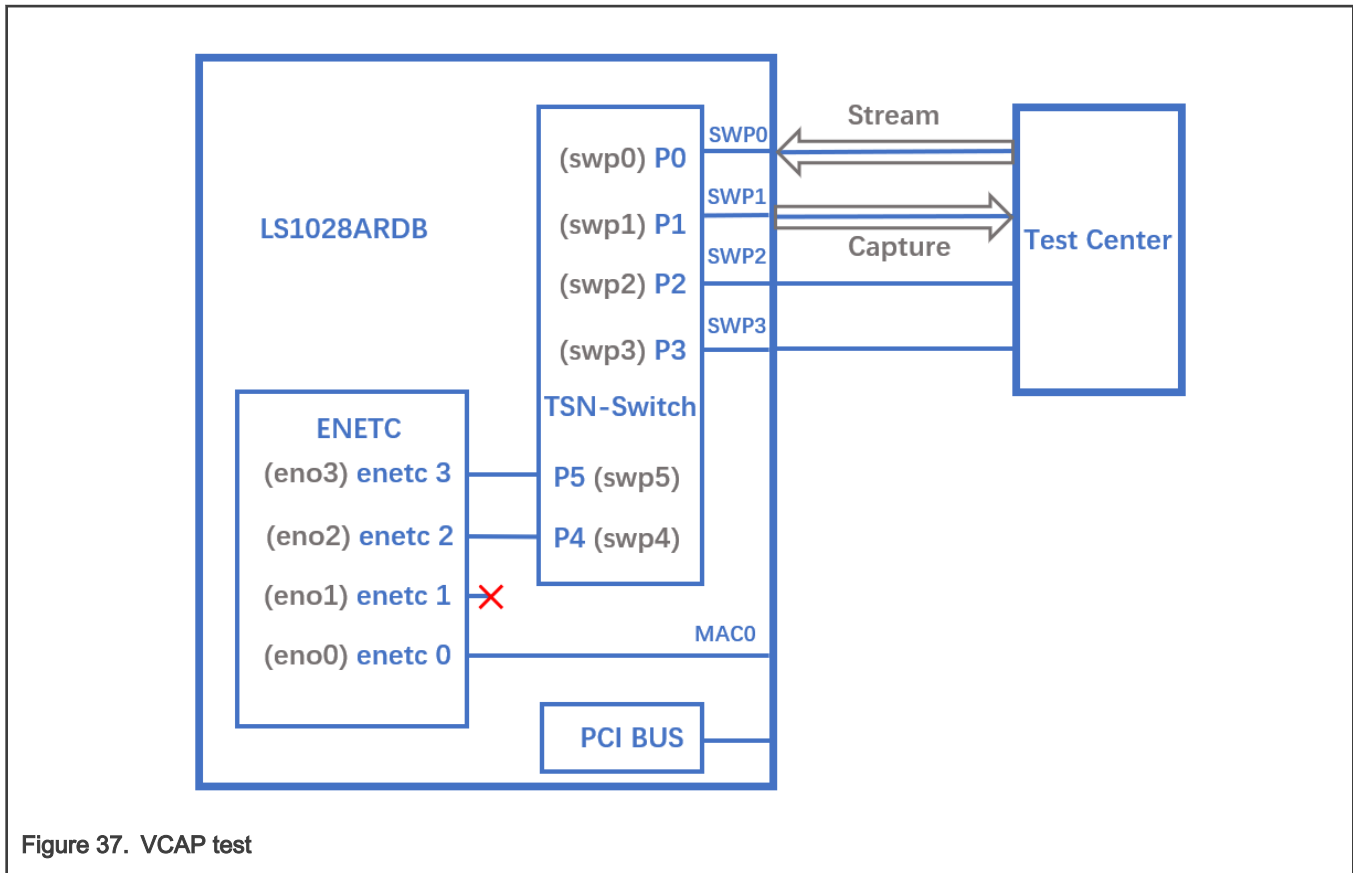


Figure 37. VCAP test

1. Drop all frames from source IP 192.168.2.1.

```
tc filter add dev swp0 ingress chain 21000 protocol ip flower skip_sw src_ip 192.168.2.1
action drop
```

Set source IP as 192.168.2.1 and send IP package from TestCenter, package will be dropped on `swp0`.

2. Limit bandwidth of HTTP streams to 10 Mbps.

```
tc filter add dev swp0 ingress chain 20000 protocol ip flower skip_sw ip_proto tcp dst_port 80
action police rate 10Mbit burst 10000 action goto chain 21000
```

Send TCP package and set destination port as 80 on TestCenter, set the stream bandwidth to 1Gbit/s, we can get a 10Mbits/s stream rate.

3. Filter frames that have a specific vlan tag (VID=1 and PCP=1). Then, modify the vlan tag (VID=2, PCP=2) and classified to QoS traffic class 2.

```
ip link set switch type bridge vlan_filtering 1
tc filter add dev swp0 ingress chain 11000 protocol 802.1Q flower skip_sw vlan_id 1 vlan_prio 1
action vlan modify id 2 priority 2 action goto chain 12000
bridge vlan add dev swp0 vid 2
bridge vlan add dev swp1 vid 2
```

Set `vid=1` and `pcp=1` in vlan tag. Then, send IP package from TestCenter. Thus you can get a package with `vid=2`, `pcp=2` from `swp1` on TestCenter.

4. Push a specific vlan tag (vid=3, pcp=3) into frames (classified vid=2, pcp=2 in switch) egress from swp1.

```
tc qdisc add dev swp1 clsact
tc filter add dev swp1 egress protocol 802.1Q flower skip_sw vlan_id 2 vlan_prio 2 action vlan
push id 3 priority 3
```

Set vid=1 and pcp=1 in vlan tag, then send IP package from TestCenter, the frame will hit rule in usecase 3 and retag the vlan (vid=2, pcp=2). Thus, users can get a frame with vid=3, pcp=3 from swp1 on TestCenter.

5. Push double vlan tag(Q-in-Q) into frames egress to swp1.

```
ip link add dev br0 type bridge
ip link set dev swp0 master br0
ip link set dev swp1 master br0
ip link set br0 type bridge vlan_filtering 1
bridge vlan add dev swp0 vid 222
bridge vlan add dev swp1 vid 222
tc qdisc add dev swp1 clsact
tc filter add dev swp1 egress protocol 802.1Q flower skip_sw \
    vlan_id 222 vlan_prio 2 \
    action vlan push id 200 priority 1 protocol 802.1AD \
    action vlan push id 300 priority 3
```

Result: TX(tpid:8100 vid:222 pri:2) -> swp0 -> swp1 -> RX(S-TAG tpid:88A8 vid:200 pri:1, C-TAG tpid:8100 vid:300 pri:3)

6. Pop single or double vlan tag(Q-in-Q) from frames ingress from swp0.

```
ip link add dev br0 type bridge
ip link set dev swp0 master br0
ip link set dev swp1 master br0
tc filter add dev swp0 ingress chain 11000 \
    protocol 802.1ad flower \
    vlan_id 111 vlan_prio 1 vlan_ethertype 802.1q \
    cvlan_id 222 cvlan_prio 2 cvlan_ethertype ipv4 \
    action vlan pop action goto chain 12000
```

Result: TX(S-TAG tpid:88A8 vid:111 pri:1, C-TAG tpid:8100 vid:222 pri:2) -> swp0 -> swp1 -> RX(TAG tpid:8100 vid:222 pri:2)

```
tc filter add dev swp0 ingress chain 11000 \
    protocol 802.1ad flower \
    vlan_id 111 vlan_prio 1 vlan_ethertype 802.1q \
    cvlan_id 223 cvlan_prio 2 cvlan_ethertype ipv4 \
    action vlan pop \
    action vlan pop action goto chain 12000
```

Result: TX(S-TAG tpid:88A8 vid:111 pri:1, C-TAG tpid:8100 vid:223 pri:2) -> swp0 -> swp1 -> RX(received packets without VLAN tag)

Chapter 5

Protocols

5.1 EtherCAT

Real-time Edge supports the usage of EtherCAT ((Ethernet for Control Automation Technology) and integrates the IGH EtherCAT master stack. EtherCAT is verified on NXP's platforms.

5.1.1 Introduction

EtherCAT is an Ethernet-based fieldbus system, invented by BECKHOFF Automation. The protocol is standardized in IEC 61158 and is suitable for both hard and soft real-time computing requirements in automation technology. The goal during development of EtherCAT was to apply Ethernet for automation applications requiring short data update times (also called cycle times; $\leq 100 \mu\text{s}$) with low communication jitter (for precise synchronization purposes; $\leq 1 \mu\text{s}$) and reduced hardware costs.

- EtherCAT is Fast: 1000 dig. I/O: 30 μs , 100 slaves: 100 μs .
- EtherCAT is Ethernet: Standard Ethernet at I/O level.
- EtherCAT is Flexible: Star, line, drop, with or without switch.
- EtherCAT is Inexpensive: Ethernet is mainstream technology, therefore inexpensive.
- EtherCAT is Easy: everybody knows Ethernet, it is simple to use.

At present, the EtherCAT master supports the common open source code for SOEM of RT - LAB development (Simple Open Source EtherCAT Master) and EtherLab, the IGH EtherCAT master. To use SOEM is simpler than to use the IGH EtherCAT Master, but IGH for the realization of the EtherCAT is more complete. For example, IGH supports more NIC. For more information, see <https://rt-labs.com/ethercat/> and <http://www.etherlab.org>. The integration in Real-time Edge is IGH EtherCAT master.

5.1.2 IGH EtherCAT architecture

The components of the master environment are described below:

- **Master module:** This is the kernel module containing one or more EtherCAT master instances, the 'Device Interface' and the 'Application Interface'.
- **Device modules:** These are EtherCAT-capable Ethernet device driver modules that offer their devices to the EtherCAT master via the device interface. These modified network drivers can handle network devices used for EtherCAT operation and 'normal' Ethernet devices in parallel. A master can accept a certain device and then, is able to send and receive EtherCAT frames. Ethernet devices declined by the master module are connected to the kernel's network stack, as usual.
- **Application:** A program that uses the EtherCAT master (usually for cyclic exchange of process data with EtherCAT slaves). These programs are not part of the EtherCAT master code, but require to be generated or written by the user. An application can request a master through the application interface. If this succeeds, it has the control over the master: It can provide a bus configuration and exchange process data. Applications can be kernel modules that use the kernel application interface directly. They also include user space programs, which use the application interface via the EtherCAT library or the RTDM library.

The following figure shows that IGH EtherCAT master architecture.

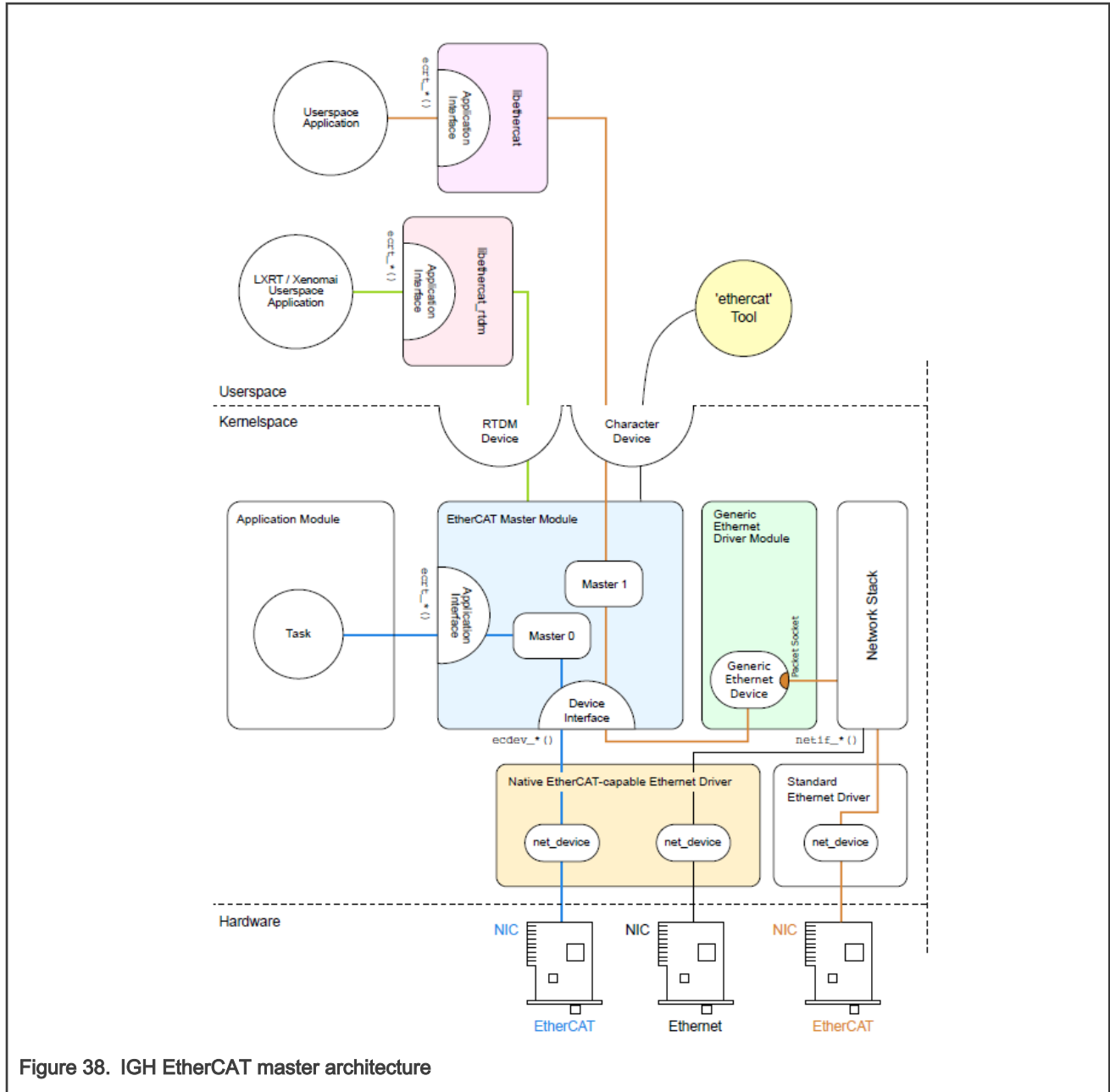


Figure 38. IGH EtherCAT master architecture

5.1.3 EtherCAT protocol

Following are the characteristics of the EtherCAT protocol:

- The EtherCAT protocol is optimized for process data and is transported directly within the standard IEEE 802.3 Ethernet frame using Ethertype 0x88a4.
- The data sequence is independent of the physical order of the nodes in the network; addressing can be in any order.
- Broadcast, multicast, and communication between slaves is possible, but must be initiated by the master device.
- If IP routing is required, the EtherCAT protocol can be inserted into UDP/IP datagrams. This also enables any control with Ethernet protocol stack to address EtherCAT systems.
- It does not support shortened frames.

The following figure shows the EtherCAT frame structure.

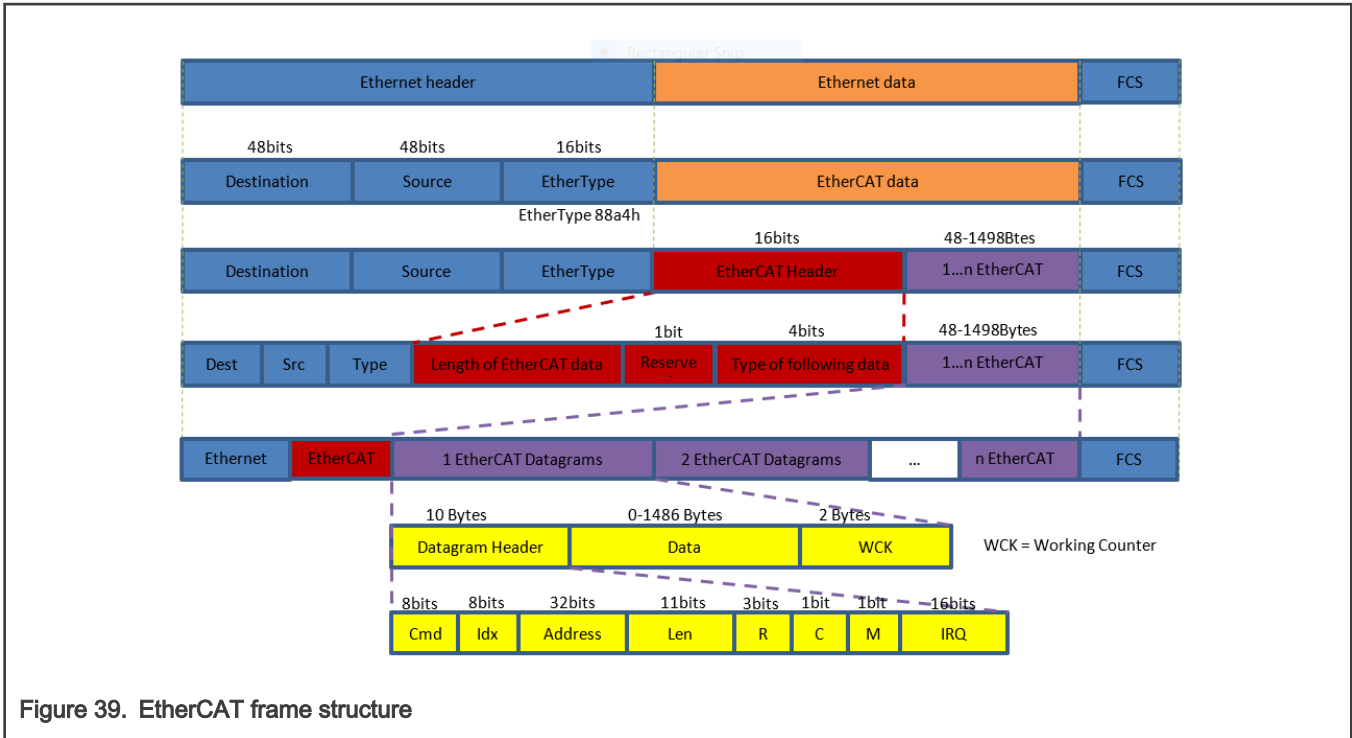


Figure 39. EtherCAT frame structure

5.1.4 IGH EtherCAT Device Modules

There are two kinds of device drivers modules:

1. Native Ethernet Device Drivers

In Real-time Edge software, Only one native driver "ec_fec" is supplied , which could be used for the FEC MAC on i.MX 8M Mini EVK. This driver is not verified on other i.MX platforms in this release.

Note: the original Ethernet fec driver must be recompiled as a module by reconfiguring Linux with command "make menuconfig" when using ec_fec native driver.

2. Generic Ethernet Device Driver

The Generic driver uses the lower layers of the Linux network stack to connect to the hardware, independently of the actual hardware driver. So it can be used to all the platforms Real-time Edge supports. But the disadvantage is that the performance is a little worse than the native driver, because the Ethernet frame data have to traverse the Linux network stack.

5.1.5 IGH EtherCAT integration and setup

This section describes how to build the IGH stack and how to Setup the EtherCAT service.

5.1.5.1 Building IGH EtherCAT

IGH EtherCAT package is enabled on Real-time Edge images by default. The native driver ec_fec module is enabled by default for i.MX 8M Mini EVK. For others platform, only generic driver is supported.

5.1.5.2 IGH EtherCAT setup

1. Configuration

The configure file /etc/ethercat.conf needs to be configured for the first time as below:

- Set "MASTER0_DEVICE" to the MAC address of the Ethernet Card, which will be used as EtherCAT network port. For example:

```
MASTER0_DEVICE="00:04:9f:07:11:a6"
```

- Specify the device driver modules for the EtherCAT device selected above by MAC address.

```
DEVICE_MODULES="generic"
```

For i.MX 8M Mini EVK, the option "fec" is available. But note that the original Ethernet fec driver must be compiled as a modules by reconfiguring Linux menuconfig if "fec" is selected. On Real-time Edge, the fec Ethernet driver has been configured as a module by default for i.MX 8M Mini EVK.

2. Start the daemon

Use the below command to start IGH-EtherCAT daemon:

```
$ ethercatctl start
```

Also, the below commands are used to stop or restart it.

```
$ ethercatctl stop
$ ethercatctl restart
```

Note: If the generic driver is used, make sure using "ifconfig <ethX> up" command to enable the network Card.

IGH provides a powerful auxiliary command-line tool, named "ethercat". it is can be used to query the master and all slaves information and status. The usage is as below:

```
Usage: ethercat <COMMAND> [OPTIONS] [ARGUMENTS]
```

Commands (can be abbreviated):

alias	Write alias addresses.
config	Show slave configurations.
crc	CRC error register diagnosis.
cstruct	Generate slave PDO information in C language.
data	Output binary domain process data.
debug	Set the master's debug level.
domains	Show configured domains.
download	Write an SDO entry to a slave.
eo	Display Ethernet over EtherCAT statistics.
foe_read	Read a file from a slave via FoE.
foe_write	Store a file on a slave via FoE.
graph	Output the bus topology as a graph.
master	Show master and Ethernet device information.
pdos	List Sync managers, PDO assignment and mapping.
reg_read	Output a slave's register contents.
reg_write	Write data to a slave's registers.
rescan	Rescan the bus.
sdos	List SDO dictionaries.
sii_read	Output a slave's SII contents.
sii_write	Write SII contents to a slave.
slaves	Display slaves on the bus.
soe_read	Read an SoE IDN from a slave.
soe_write	Write an SoE IDN to a slave.
states	Request application-layer states.
upload	Read an SDO entry from a slave.
version	Show version information.
xml	Generate slave information XML.

3. Enable the systemd IGH-EtherCAT service

Real-time Edge provides a IGH-EtherCAT systemd service to run IGH daemon as a system service.

```
$ systemctl enable ethercat
$ systemctl start ethercat
```

Also the below commands are used to stop or disabled this service:

```
$ systemctl stop ethercat
$ systemctl disable ethercat
```

5.1.6 real-time-edge-servo stack

real-time-edge-servo is a CiA402 (also referred to as DS402) profile framework based on Igh CoE interface (An EtherCAT Master stack, see [EtherCAT](#) section for details). It abstracts the CiA 402 profile and provides an easily-usable API for the Application developer.

The real-time-edge-servo project consists of a basic library *libnservo* and several auxiliary tools.

The application developed with *libnservo* is flexible enough to adapt to the changing of CoE network by modifying the *xml*/config file, which is loaded when the application starts. The *xml*/config file describes the necessary information, including EtherCAT network topology, slaves configurations, masters configurations and all axles definitions.

The stack has been tested on below CoE servo production: DELTA ASDA-B3, HCFA SV-X6EB and SV-X3EB, Just Motion Control 2HSS458-EC.

5.1.6.1 CoE network

A typical CoE network is shown in the figure below:

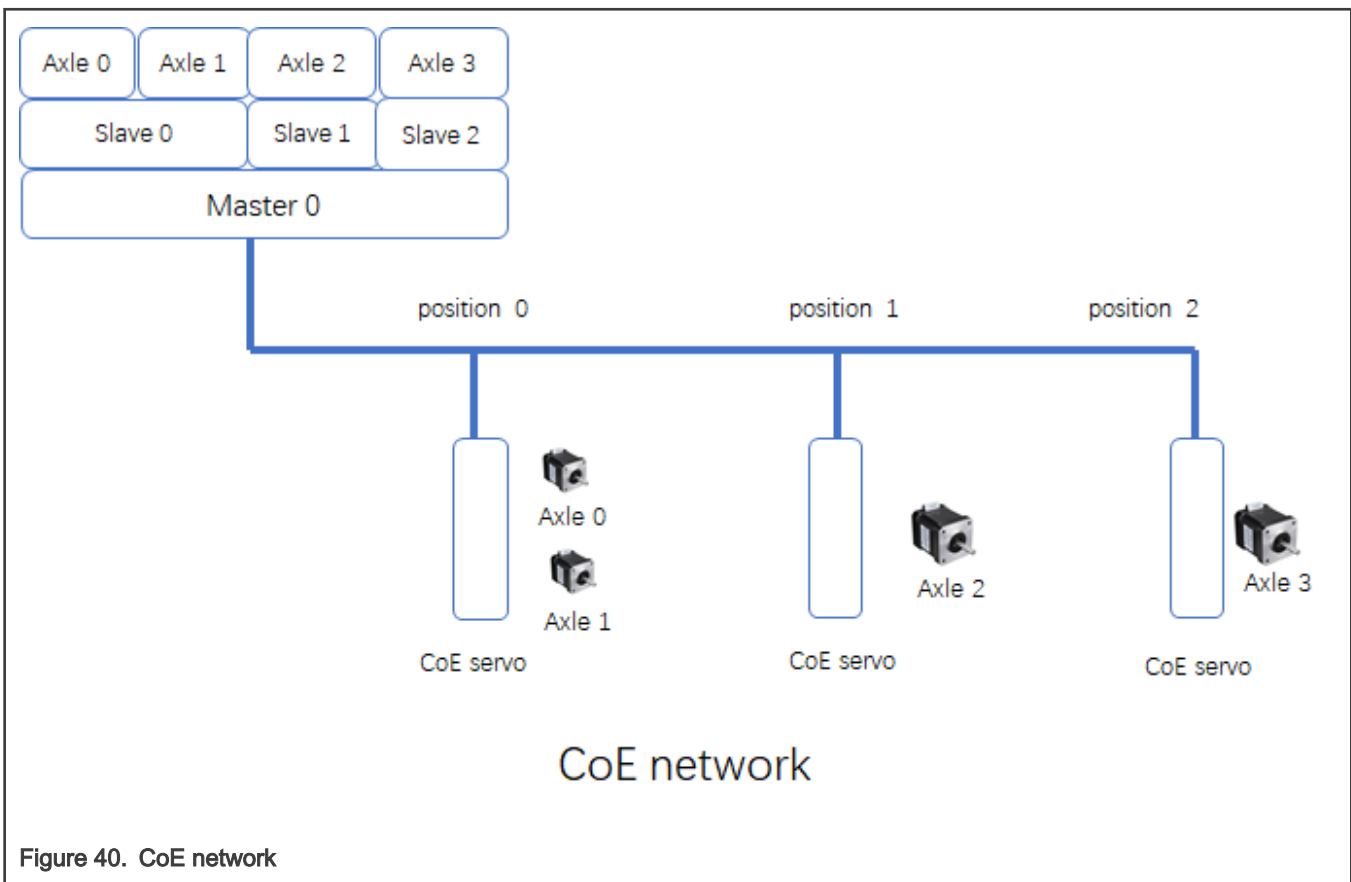


Figure 40. CoE network

There are three CoE servos on this network and we name them slave *x* as the position they are. Each CoE servo could have more than one axle. The libnservo then initiates the CoE network and encapsulates the detail of network topology into axle nodes. So the developer could focus on the each axle operation without taking care of the network topology.

5.1.6.2 Libnservo architecture

real-time-edge-servo is running on top of *Igh* EtherCAT stack. And the *Igh* stack provides CoE communication mechanisms - Mailbox and Process Data. Using these mechanisms, real-time-edge-servo could access the CiA Object Dictionary located on CoE servo.

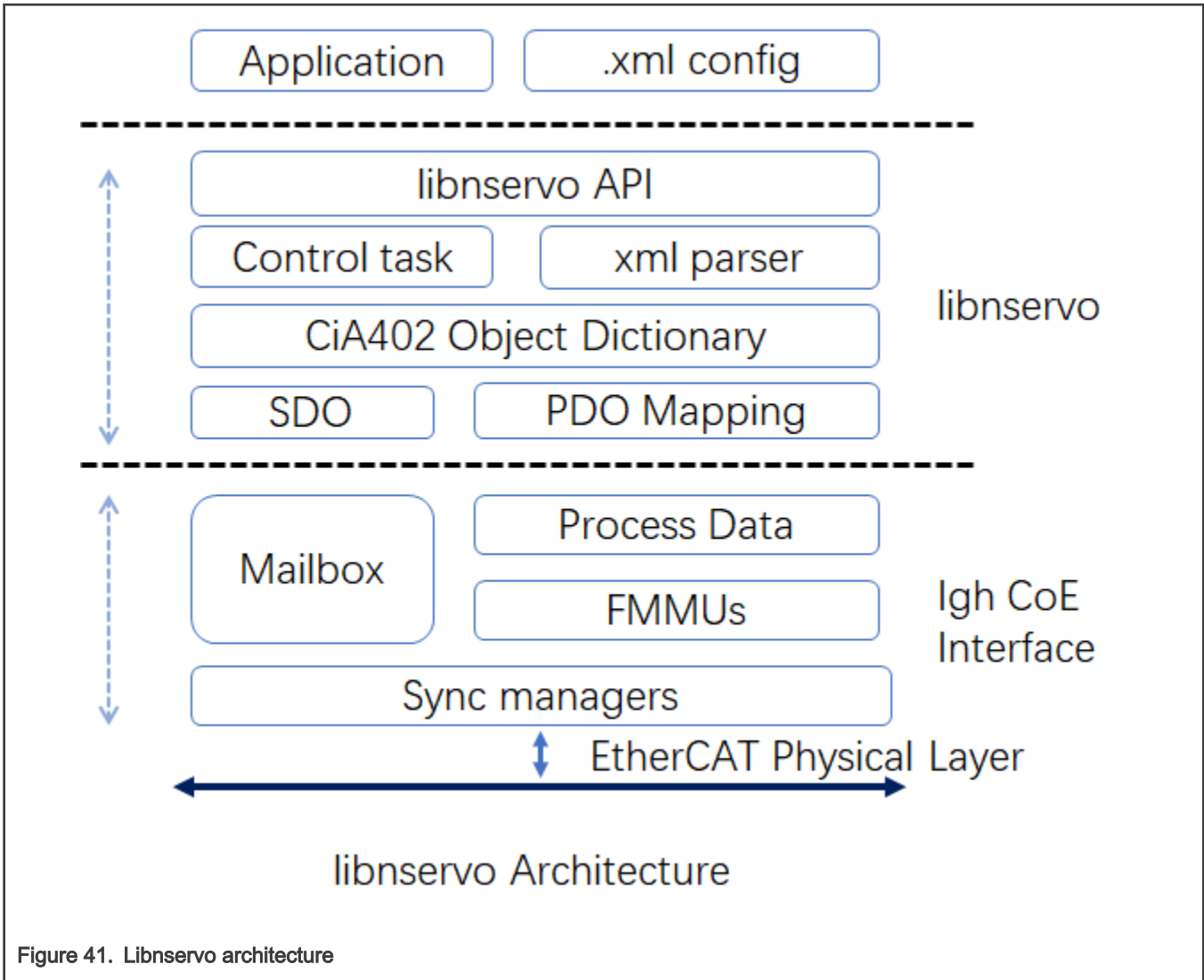


Figure 41. Libnservo architecture

Control task initiates the master, all slaves on the CoE network and registers all PDOs to Igh stack, then constructs a data structure to describe each axle. Finally, the control task creates a task to run the user task periodically.

5.1.6.3 real-time-edge-servo Xml configuration

This section focuses on how the xml config file describes a CoE network.

The skeleton of XML config is shown as in figure below:

```
<?xml version="1.0" encoding="utf-8"?>
<Config Version="1.2">
  <PeriodTime>#10000000</PeriodTime>
```

```

<MaxSafeStack>#8192</MaxSafeStack>
<master_status_update_freq>#1</master_status_update_freq>
<slave_status_update_freq>#1</slave_status_update_freq>
<axle_status_update_freq>#1</axle_status_update_freq>
<sync_ref_update_freq>#2</sync_ref_update_freq>
<sched_priority>#90</sched_priority>
  <sched_policy>#SCHED_FIFO</sched_policy>
<Masters>
  <Master>
    ...
  <\Master>
  <Master>
    ...
  <\Master>
<\Masters>

<Axles>
  <Axle>
    ...
  <\Axle>
  <Axle>
    ...
  <\Axle>
<\Axles>
</Config>

```

- All config elements must be inside the <Config> element.
- All config elements shown above are mandatory.
- The numerical value started with # means that it is a decimal value.
- The numerical value started with#x means that it is a hexadecimal value.
- <PeriodTime> element means that the period of control task is 10ms.
- <MaxSafeStack> means the stack size, and it is an estimated value. 8K is enough to satisfy most application.
- <master_status_update_freq> element means the frequency of masters status update. the value #x means update the masters status every task period.
- <slave_status_update_freq> element means the frequency of slaves status update. the value #1 means update the slaves status every task period.
- <axle_status_update_freq> element means the frequency of axles status update. the value #1 means update the axles status every task period.
- <sync_ref_update_freq> element means the frequency of reference clock update. the value #2 means update the axles status every two task period.
- <sched_policy > element specifies which schedule policy for user task.
- <sched_priority> element means the priority of the user task.
- <Masters> element could contain more than one Master element . For most cases, there is only one master on a host.
- <Axles> element could contain more than one Axle element, which is the developer really care about.

5.1.6.3.1 Master element

As *CoE network* section shown, the Master could has many slaves, so the Master element will consist of some *Slave* elements.

```

<Master>
  <Master_index>#0</Master_index>
  <Reference_clock>#0</Reference_clock>

```

```

    <Slave alias="#0" slave_position="#0">
        ....
    </Slave>
    <Slave alias="#1" slave_position="#1">
        ....
    </Slave>
</Master>

```

- **<Master_index>** element means the index of the master. as mentioned above, for many cases, there is only one master, so the value of this element is always #0.
- **<Reference_clock>** element is used to indicate which slave will be used the reference clock.
- **<Slave>** element means there is a slave on this master.

5.1.6.3.1.1 Slave element

```

<Slave alias="#0" slave_position="#0">
<VendorId>#x66668888</VendorId>
<ProductCode>#x20181302</ProductCode>
    <Name>2HSS458-EC</Name>
    <Emerg_size>#x08</Emerg_size>
<WatchDog>
    <Divider>#x0</Divider>
    <Intervals>#4000</Intervals>
</WatchDog>
<DC>
    <SYNC SubIndex='#0'>
        <Shift>#0</Shift>
    </SYNC>
</DC>
<SyncManagers force_pdo_assign="#1">
    <SyncManager SubIndex="#0">
        ...
    </SyncManager>
    <SyncManager SubIndex="#1">
        ...
    </SyncManager>
</SyncManagers>
<Sdos>
    <Sdo>
        ...
    </Sdo>
    <Sdo>
        ...
    </Sdo>
</Sdos>
</Slave>

```

- *alias* attribute means the alias name of this slave.
- *slave_position* attribute means which position of the slave is on this network.
- **<Name>** element is the name of the slave.
- **<Emerg_size>** element is always 8 for all CoE device.
- **<WatchDog>** element is used to set the watch dog of this slave.
- **<DC>** element is used to set the sync info.
- **<SyncManagers>** element should contain all syncManager channels.

- <Sdos> element contains the default value we want to initiate by SDO channel.

5.1.6.3.1.1.1 *SyncManagers Element*

For a CoE device, there are generally four syncManager channels.

- SM0: Mailbox output
- SM1: Mailbox input
- SM2: Process data outputs
- SM3: process data inputs

```
<SyncManager SubIndex="#2">
  <Index>#x1c12</Index>
  <Name>Sync Manager 2</Name>
  <Dir>OUTPUT</Dir>
  <Watchdog>ENABLE</Watchdog>
  <PdoNum>#1</PdoNum>
  <Pdo SubIndex="#1">
    <Index>#x1600</Index>
    <Name>RxPdo 1</Name>
    <Entry SubIndex="#1">
      ...
    </Entry>
    <Entry SubIndex="#2">
      ...
    </Entry>
  </Pdo>
</SyncManager>
```

- <Index> element is the object address.
- <Name> is a name of this syncmanager channel.
- <Dir> element is the direction of this syncmanager channel.
- <Watchdog> is used to set watchdog of this syncmanager channel.
- <PdoNum> element means how many PDO we want to set.
- <Pdo SubIndex="#1"> element contains the object dictionary entry we want to mapped.
 - <Index> PDO address.
 - <Name> PDO name
 - <Entry> the object dictionary we want to mapped.

The Entry element is used to describe a object dictionary we want to mapped.

```
<Entry SubIndex="#1">
  <Index>#x6041</Index>
  <SubIndex>#x0</SubIndex>
  <DataType>UINT</DataType>
  <BitLen>#16</BitLen>
  <Name>statusword</Name>
</Entry>
```


5.1.6.3.1.2 Sdo element

The Sdo element is used to set the default value of a object dictionary.

```
<Sdo>
  <Index>#x6085</Index>
  <Subindex>#x0</Subindex>
  <value>#x1000</value>
  <BitLen>#32</BitLen>
  <DataType>DINT</DataType>
  <Name>Quick_stop_deceleration</Name>
</Sdo>
```

The element shown in figure above means set the Object Dictionary "6085" to 0x1000.

5.1.6.3.2 Axle element

```
<Axle master_index='#0' slave_position="#0" AxleIndex="#0" AxleOffset="#0">
  <Mode>pp</Mode>
  <Name>x-axle</Name>
  <reg_pdo>
    ...
  </reg_pdo>
  <reg_pdo>
    ...
  </reg_pdo>
</Axle>
```

- *master_index* attribute indicates which *master* this *axle* belong to.
- *slave_position* attribute indicates which *slave* this *axle* belong to.
- *AxleOffset* attribute indicates which *axle* this *axle* is on the slave. As mentioned above, a CoE slave could have more then on *axle* . If this axle is the second axle on the slave, set *AxleOffset="#1"* .
- <Mode> means which mode this axle will work on.
- <Name> is the name of this axle.
- <reg_pdo> is the PDO entry we want to register.

reg_pdo element

```
<reg_pdo>
  <Index>#x606c</Index>
  <Subindex>#x0</Subindex>
  <Name></Name>
</reg_pdo>
```

5.1.6.4 Test

5.1.6.4.1 Hardware preparation

- A CoE servo system

A CoE servo system includes a CoE servo and a motor. In this test, '2HSS458-EC' servo system shown as in figure below will be used.

- A board supported by Real-time Edge

In this test, LS1046ARDB will be used.



2HSS458-EC Servo System

5.1.6.4.2 Software preparation

Make sure the below config options is selected when configuring Real-time Edge.

- igh-ethercat
- libxml2
- real-time-edge-servo

5.1.6.4.3 CoE network detection

- lgh configuration
 - Configure the MASTER0_DEVICE field of the */etc/ethercat.conf*
Set MASTER0_DEVICE to the MAC address to indicate which port the lgh uses .
 - Configure DEVICE_MODULES="generic" of the */etc/ethercat.conf*
- Using the command

```
[root]# ethercatctl start
```

to start lgh service.

- Check CoE servo using below command.

```
[root]# ethercat slaves
0 0:0 PREOP + 2HSS458-EC
```

5.1.6.4.4 Start test

Note: The *Position encoder resolution* and *Velocity encoder resolution* of "2HSS458-EC" servo system are both 4000 . It means the ratio of encoder increments per motor revolution.

- *Profile Position* mode test

- Start the test service as below.

```
[root]# nservo_run -f /root/nservo_example/hss248_ec_config_pp.xml &
```

- Check whether the status of the slave has been transferred from "PREOP" to "OP".

```
[root]# ethercat slaves
0 0:0 OP + 2HSS458-EC
```

- Check whether the phase of the master has been transferred from "Idle" to "Operation".

```
[root]# ethercat master | grep Phase
Phase: Operation
```

- Run below commands to test whether the motor works.

- Get current mode of axle 0.

```
[root]# nservo_client -a 0 -c get_mode
get_mode of the axle 0 : Profile Position Mode
```

- Get current position of axle 0.

```
[root]# nservo_client -a 0 -c get_position
get_current_position of the axle 0 : 0
```

- Get the profile speed of axle 0.

```
[root]# nservo_client -a 0 -c get_profile_speed
get_profile_speed of the axle 0 : 800000
```

The value 800000 means 200 revolutions per second.

- Set profile speed of axle 0.

```
[root]# nservo_client -a 0 -c set_profile_speed:20000
set_profile_speed of the axle 0 : 20000
```

Set profile speed to 5 revolutions per second.

- Set target position of axle 0

```
[root]# nservo_client -c set_position:400000
set_position of the axle 0 : 400000
```

The value 400000 means that the motor will turn 100 rounds.

(target_position:400000 - current_position:0) / 4000 = 100

- Get current speed of axle 0

```
[root]# nservo_client -a 0 -c get_speed
get_speed of the axle 0 : 19999
```

- Get target position of axle 0

```
[root]# nservo_client -a 0 -c get_target_position
get_target_position of the axle 0 : 400000
```

— Exit

```
[root]# nservo_client -c exit
```

- *Profile Velocity* mode test

— Start the test service as below.

```
[root]# nservo_run -f /root/nservo_example/hss248_ec_config_pv.xml &
```

— Check whether the status of the slave has been transferred from "PREOP" to "OP".

```
[root]# ethercat slaves
0 0:0 OP + 2HSS458-EC
```

— Check whether the phase of the master has been transferred from "Idle" to "Operation".

```
[root]# ethercat master | grep Phase
Phase: Operation
```

— Run below commands to test whether the motor works.

- Get current mode of axle 0.

```
[root]# nservo_client -a 0 -c get_mode
get_mode of the axle 0 : Profile Velocity Mode
```

- Set target speed of axle 0.

```
[root]# nservo_client -a 0 -c set_speed:40000
set_speed of the axle 0 : 40000
```

The value 40000 means that the motor will turn with 10 revolutions per second.

- Get current speed of axle 0.

```
[root]# nservo_client -a 0 -c get_speed
get_speed of the axle 0 : 32000
```

- Get target speed of axle 0.

```
[root]# nservo_client -a 0 -c get_target_speed
get_target_speed of the axle 0 : 40000
```

— Exit

```
[root]# nservo_client -c exit
```

5.2 FlexCAN and CAN Open

The following sections provide an introduction to the FlexCAN standard, details of the CAN bus, the Canopen communication system, details of how to integrate FlexCAN with Real-time Edge, and running a FlexCAN application.

5.2.1 Introduction

Both the LS1021A and LS1028A boards have the FlexCAN module. The FlexCAN module is a communication controller implementing the CAN protocol according to the CAN 2.0 B protocol specification. The main sub-blocks implemented in the FlexCAN module include an associated memory for storing message buffers, Receive (RX) Global Mask registers, Receive Individual Mask registers, Receive FIFO filters, and Receive FIFO ID filters. A general block diagram is shown in the following figure. The functions of these submodules are described in subsequent sections.

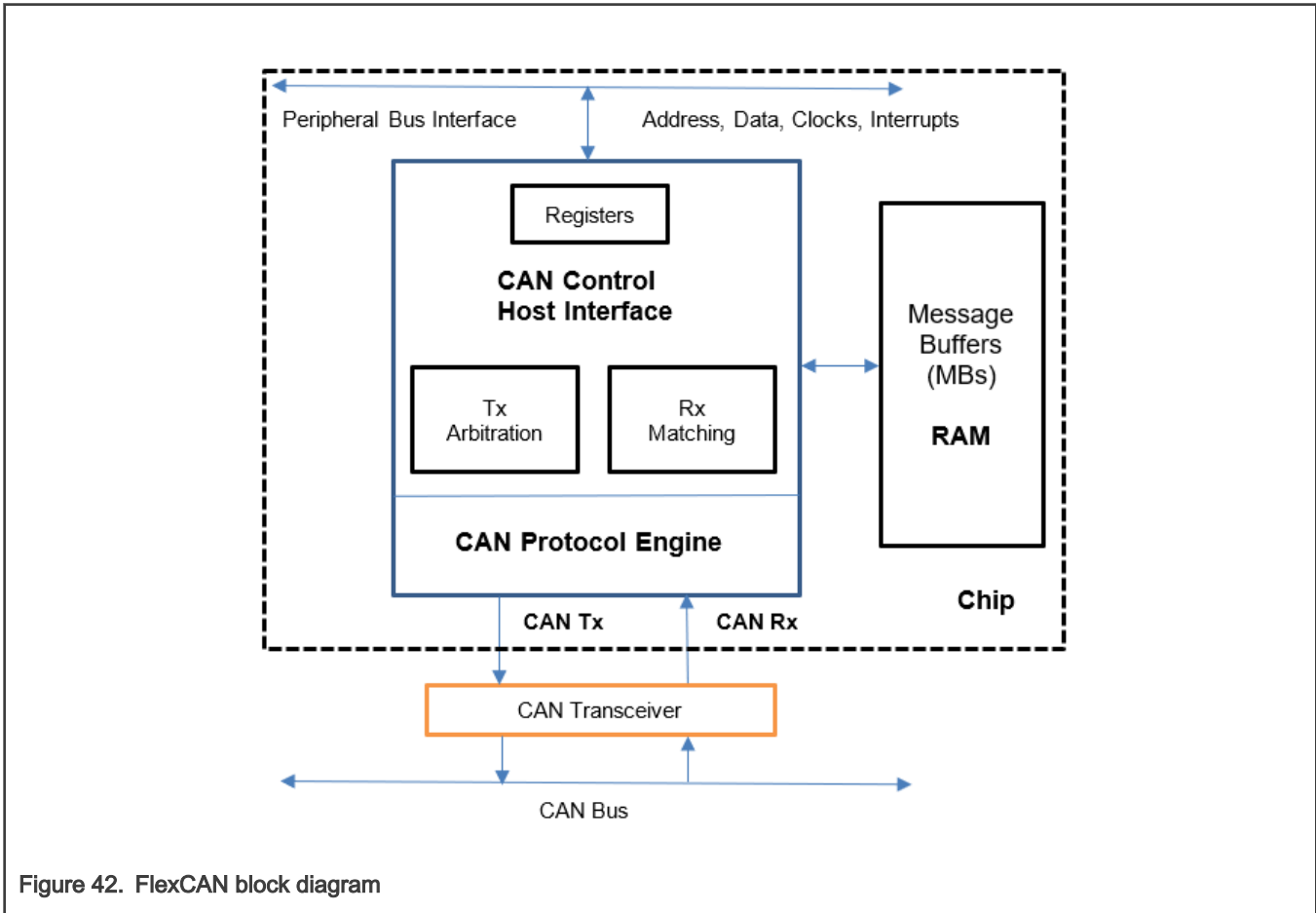


Figure 42. FlexCAN block diagram

5.2.1.1 CAN bus

CAN (Controller Area Network) is a serial bus system. A CAN bus is a robust [vehicle bus](#) standard designed to allow [microcontrollers](#) and devices to communicate with each other in applications without a [host computer](#). Bosch published several versions of the CAN specification and the latest is CAN 2.0 published in 1991. This specification has two parts; part A is for the standard format with an 11-bit identifier, and part B is for the extended format with a 29-bit identifier. A CAN device that uses 11-bit identifiers is commonly called CAN 2.0A and a CAN device that uses 29-bit identifiers is commonly called CAN 2.0B.

CAN is a [multi-master serial bus](#) standard for connecting Electronic Control Units [ECUs] also known as nodes. Two or more nodes are required on the CAN network to communicate. The complexity of the node can range from a simple I/O device up to an embedded computer with a CAN interface and sophisticated software. The node may also be a gateway allowing a standard computer to communicate over a USB or Ethernet port to the devices on a CAN network. All nodes are connected to each other through a two wire bus. The wires are a twisted pair with a 120 Ω (nominal) characteristic impedance.

High speed CAN signaling drives the CAN high wire towards 5 V and the CAN low wire towards 0 V when transmitting a dominant (0), and does not drive either wire when transmitting a recessive (1). The dominant differential voltage is a nominal 2 V. The termination resistor passively returns the two wires to a nominal differential voltage of 0 V. The dominant common mode voltage must be within 1.5 to 3.5 V of common and the recessive common mode voltage must be within +/-12 of common.

the 11-bit CAN-ID, CANopen supports the 29-bit CAN-ID as well. Nevertheless, CANopen does not exclude other physical layer options.

• **Internal device architecture**

A CANopen device consists of three logical parts. The CANopen protocol stack handles the communication via the CAN network. The application software provides the internal control functionality. The CANopen object dictionary interfaces the protocol as well as the application software. It contains indices for all used data types and stores all communication and application parameters. The CANopen object dictionary is most important for CANopen device configuration and diagnostics.

• **CANopen protocols**

- SDO protocol
- PDO protocol
- NMT protocol
- Special function protocols
- Error control protocols

The following figure shows the CANopen architecture.

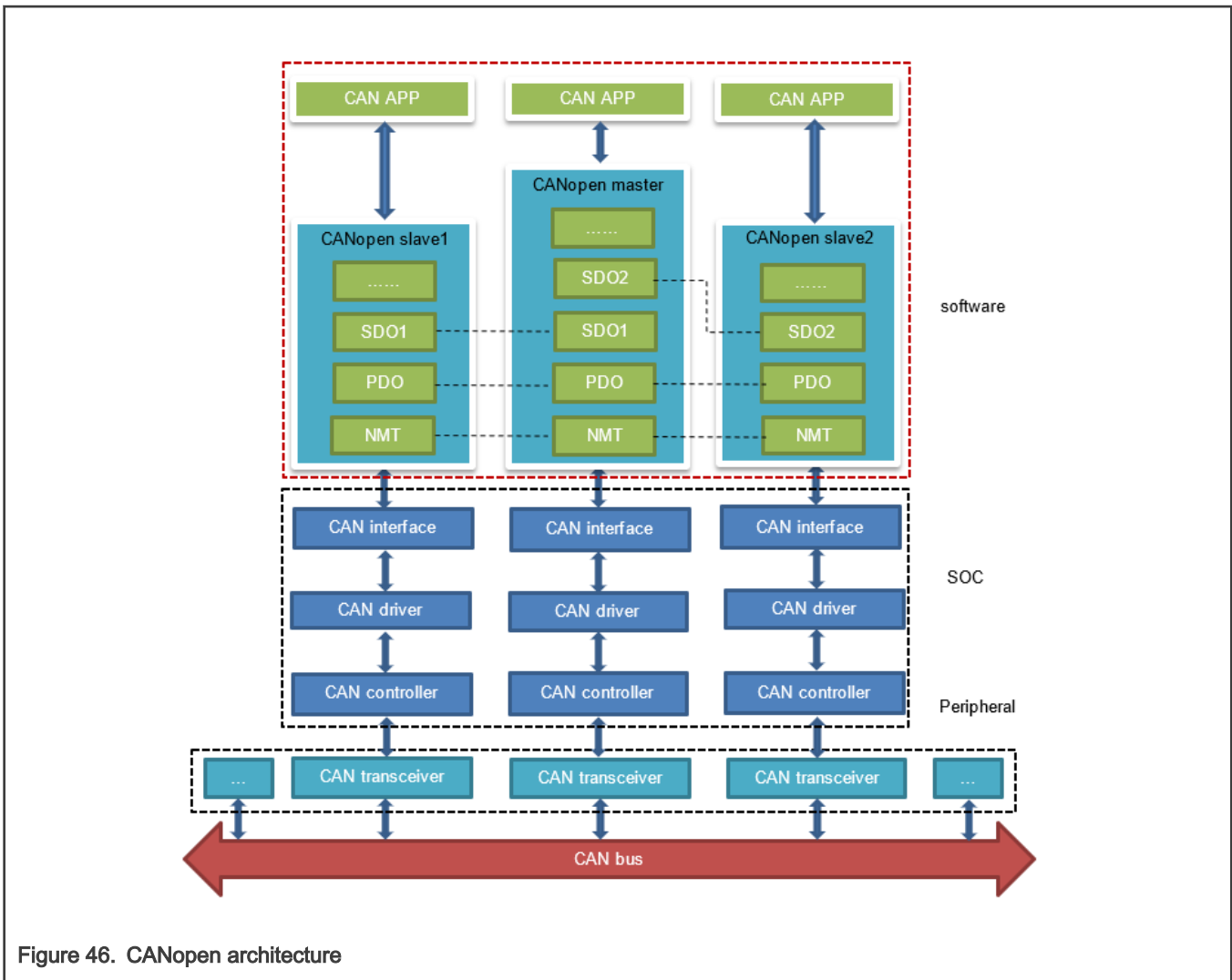


Figure 46. CANopen architecture

5.2.2 FlexCAN integration in Real-time Edge

For LS1021A, there are four CAN controllers. Two CAN controllers (CAN3 and CAN4) are used to communicate with each other. CAN4 is assigned to core0, which runs Linux and CANOpen as master node, whereas CAN3 is assigned to core1, which runs the BareMetal and CANOpen as slave node. For LS1028A, there are two CAN controllers, CAN1 and CAN2, and both of them are used in LS1028ARDB board.

5.2.2.1 LS1021AIOT CAN resource allocation

This section describes steps for assigning CAN4 to Linux and CAN3 to BareMetal core, and how to change or configure it. These examples assume that CAN1 and CAN2 are not enabled, and the pins of CAN1 and CAN2 are used by other IPs.

1. Assigning CAN4 to Linux

In Linux, the port is allocated through the DTS file. DTS file path is `industry-linux/arch/arm/boot/dts/ls1021a-iot.dts`. Content related to CAN ports is as follows:

```
/* CAN3 port */
&can2
{
    status = "disabled";
};
/* CAN4 port */
&can3
{
    status = "okay";
};
```

2. Assigning CAN3 to BareMetal

In BareMetal, the port is allocated through the `flexcan.c` file. The `flexcan.c` path is `industry-uboot/drivers/flexcan/flexcan.c`. In this file, users should define the following variables:

- a. `struct can_bittiming_t flexcan3_bittiming = CAN_BITTIM_INIT(CAN_500K);`

NOTE

Set bit timing and baud rate (500K) of the CAN port.

- b. `struct can_ctrlmode_t flexcan3_ctrlmode`

```
struct can_ctrlmode_t flexcan3_ctrlmode =
{
    .loopmode = 0, /* Indicates whether the loop mode is enabled */
    .listenonly = 0, /* Indicates whether the only-listen mode is enabled */
    .samples = 0,
    .err_report = 1,
};
```

- c. `struct can_init_t flexcan3`

```
struct can_init_t flexcan3 =
{
    .canx = CAN3, /* Specify CAN port */
    .bt = &flexcan3_bittiming,
    .ctrlmode = &flexcan3_ctrlmode,
    .reg_ctrl_default = 0,
    .reg_esr = 0
};
```

- d. Optional parameters

- **CAN port**

```
#define CAN3 ((struct can_module *)CAN3_BASE)
#define CAN4 ((struct can_module *)CAN4_BASE)
```

- **Baud rate**

```
#define CAN_1000K 10
#define CAN_500K 20
#define CAN_250K 40
#define CAN_200K 50
#define CAN_125K 80
#define CAN_100K 100
#define CAN_50K 200
#define CAN_20K 500
#define CAN_10K 1000
#define CAN_5K 2000
```

5.2.2.2 Introducing the function of CAN example code

CAN example code supports the CANopen protocol. It mainly implements three parts of functions: network manage function (NMT protocol), service data transmission function (SDO protocol), and process data transmission function (PDO protocol). NMT protocol can manage and monitor slave nodes, include heart beat message. SDO protocol can transmit single or block data. The PDO protocol can transmit process data that requires real time.

CAN example calls the CANopen interfaces, described in the table below:

Table 60. CAN Net APIs and their description

API name (type)	Description
UNS8 canReceive_driver (CAN_HANDLE fd0, Message * m)	SocketCAN receives CAN messages <ul style="list-style-type: none"> • fd0 – SocketCAN handle • m – Receive buffer
UNS8 canSend_driver (CAN_HANDLE fd0, Message const * m)	SocketCAN sends CAN messages <ul style="list-style-type: none"> • fd0 – SocketCAN handle • m – CAN message to be sent
void setNodeid(CO_Data* d, UNS8 nodeid)	Set this node id value. <ul style="list-style-type: none"> • d – object dictionary • nodeid – id value (up to 127)
UNS8 setState(CO_Data* d, e_nodeState newState)	Set node state <ul style="list-style-type: none"> • d – object dictionary • newState – The state that needs to be set Returns 0 if OK, > 0 on error
void canDispatch(CO_Data* d, Message *m)	CANopen handles data frames that CAN receive.

Table continues on the next page...

Table 60. CAN Net APIs and their description (continued)

API name (type)	Description
	<ul style="list-style-type: none"> d – object dictionary m – Received CAN message
void timerForCan(void)	CANopen virtual clock counter.
UNS8 sendPDOrequest (CO_Data * d, UNS16 RPDOIndex)	Master node requests slave node to feedback specified data. <ul style="list-style-type: none"> d – object dictionary RPDOIndex – index value of specified data
UNS8 readNetworkDictCallback (CO_Data* d, UNS8 nodeId, UNS16 index, UNS8 subIndex, UNS8 dataType, SDOCallback_t Callback, UNS8 useBlockMode)	The master node gets the specified data from the slave node. <ul style="list-style-type: none"> d – object dictionary nodeId – the id value of slave node index – the index value of the specified data subIndex – the subindex value of the specified data dataType – the data type of the specified data Callback – callback function useBlockMode – specifies whether it is a block transmission
UNS8 writeNetworkDictCallBack (CO_Data* d, UNS8 nodeId, UNS16 index, UNS8 subIndex, UNS32 count, UNS8 dataType, void *data, SDOCallback_t Callback, UNS8 useBlockMode)	The master node sets the specified data to the slave node. <ul style="list-style-type: none"> d – object dictionary nodeId – the id value of slave node index – the index value of the specified data subIndex – the subindex value of the specified data count – the length of the specified data dataType – the data type of the specified data Callback – callback function useBlockMode – specifies whether it is a block transmission

5.2.3 Running a CAN application

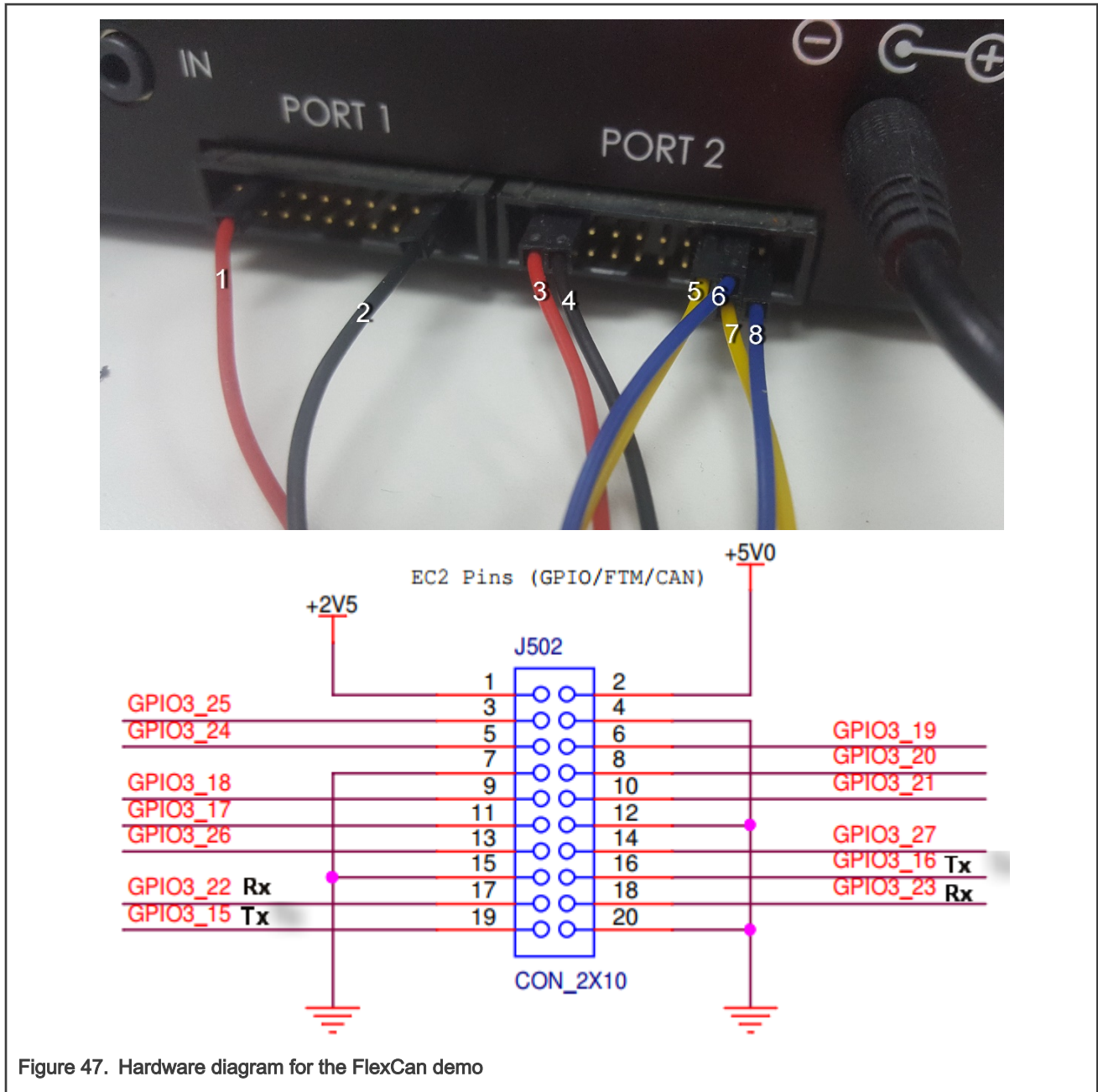
The following sections describe the hardware and software preparation steps for running a CAN application. The hardware preparation is described separately for the LS1021A-IoT and LS1028ARDB, but the sections [Compiling the CANopen-app binary for the master node](#), [Running the CANopen application](#), and [Running the SocketCAN commands](#) are applicable to both LS1021A-IoT and LS1028A platforms.

5.2.3.1 Hardware preparation for LS1021-IoT

For LS1021-IoT, the list of hardware required for implementing the FlexCAN demo is as follows:

- LS1021A-IoT boards
- Two CAN hardware interfaces (for example, CAN3 and CAN4 for LS1021A-IoT)

- Two CAN transceivers (for example: TJA1050)



NOTE

- Line1 and line3 are 5.0 V.
- Line2 and line4 are GND.
- Line5 is CAN3 TX.
- Line6 is CAN3 RX.
- Line7 is CAN4 RX.
- Line8 is CAN4 TX.

5.2.3.2 Hardware preparation for LS1028ARDB

For LS1028ARDB, below hardware is required:

- LS1028ARDB board
- Two cables to connect CAN1 and CAN.

The hardware connection diagram is as shown in the following figure



Figure 48. Physical connection for CAN using LS1028ARDB

5.2.3.3 Compiling the CANopen-app binary for the master node

This section describes the procedure for compiling the CANopen-app binary for the master node, for both LS1021A and LS1028A platforms.

CANopen application's name is **CANopen-app**. Perform the steps listed below to compile Canopen-app as linux command to the `target/usr/bin` directory.

1. Configure cross-toolchain on user host environment.
2. Use the commands below:

```
$ cd yocto-real-time-edge/meta-real-time-edge
# open file: ./conf/distro/include/qoriq-baremetalenv.inc
# replace "ls1021aiot_baremetal_defconfig" with "ls1021aiot_baremetal_can_defconfig"
$ bitbake nxp-real-time-edge-baremetall
```

3. The generated Real-time Edge image file is in the `tmp/deploy/images/ls1021aiot/` directory.
4. Download the image `nxp-image-real-time-edge-ls1021aiot.wic.bz2` and decompress it and flash it to the SD card:

In U-Boot mode, first run the `tftp` command for downloading `nxp-image-real-time-edge-ls1021aiot.wic` to the buffer. Then, run the `mmc` command for downloading the `nxp-image-real-time-edge-ls1021aiot.wic` to SD card.

NOTE

- The following options are displayed only when the `canfestival` option is set to Y.
- Linux uses the SocketCAN interface, so the `driveroption` selects the socket.
- The following additional `configure` options can be configured in the `config.h` file of CANopen:

Parameter description:

- `--SDO_MAX_LENGTH_TRANSFER`: Sets buffer size of SDO protocol.
- `--SDO_BLOCK_SIZE`: Sets the maximum number of frames that can be sent by SDO block transport protocol.
- `--SDO_MAX_SIMULTANEOUS_TRANSFERS`: Sets the number of SDO modules.
- Install binary application to filesystem, if the `install examples` option is set to Y.

5.2.3.4 Running the CANopen application

This section describes the procedure for running the CANopen-app application. Only the LS1021A platforms support this application.

1. First, boot the LS1021A-IoT board.
2. Waiting for the BareMetal core to output below information:

```
Note: the CANopen protocol starts to run!
=>
```

3. Then, run the `CANopen-app` command in any directory in Linux prompt. While executing this command, first run the test code.
4. After the test code is completed, user can implement the required instructions. The command `CANopen-app` execution process steps are described below:
 - a. First, indicate whether the CAN interface has opened successfully. All commands are dynamically registered. Then, indicate whether the command was registered successfully.

• Command registration log

```
Command Registration Log:
[root@]# CANopen-app
[ 80.899975] IPv6: ADDRCONF(NETDEV_CHANGE): can0: link becomes ready
Note: open the CAN interface successfully!
"can_quit" command: register OK!
"setState" command: register OK!
"showPdo" command: register OK!
"requestPdo" command: register OK!
"sdo" command: register OK!
"" command: register OK!
"test_startM" command: register OK!
"test_sdoSingle" command: register OK!
"test_sdoSingleW" command: register OK!
"test_sdoBlock" command: register OK!
"test_showPdoCyc" command: register OK!
"test_showpdoreq" command: register OK!
"test_requestpdo" command: register OK!
```

- b. There are nine test code in total, tests 1 to 9. Test code details are shown in the test log.

- **Test code log** “---test---” indicates that the test code begins.
- Firstly, the execution rights of the SDO and PDO protocol are explained.
- The **tests 1~4** are SDO protocol test code. After starting the CANopen master node, it automatically enters into initialization and pre-operation mode.
- The **test5** is a test code that master node enters the operation mode and starts all slave nodes.
- The **tests 6~9** are PDO protocol test code.

Test Code Log:

```

----- test -----
Note: Test code start execute...
      SDO protocol is valid in preoperation mode, but PDO protocol is invalid!
      SDO and PDO protocol are both valid in operation mode!
      Console is invalid when testing!
-----

Note: test1--Read slave node single data by SDO.
Note: master node initialization is complete!
Note: master node entry into the preOperation mode!
Note: Alarm timer is running!
Note: slave node "0x02" entry into "Initialisation" state!
-----

Note: test2--Write 0x2CD5 to slave node by SDO.
Note: Master write a data to 0x02 node successfully.
-----

Note: test3--Read slave node single data by SDO again.
Note: received data is 0x2CD5
-----

Note: test4--Read slave node block data by SDO.
----- text -----
Note: received string ==>
CANopen is a CAN-based communication system.
It comprises higher-layer protocols and profile specifications.
CANopen has been developed as a standardized embedded network with highly flexible
configuration capabilities.
It was designed originally for motion-oriented machine control systems, such as
handling systems.
Today it is used in various application fields, such as medical equipment, off-road
vehicles, maritime electronics, railway applications, or building automation.
-----

Note: test5--Master node entry operation mode, and start slave nodes!
Note: master node entry into the operation mode,and start all slave nodes!
-----

Note: test6--Master node show requested PDO data.
Note: Rpdo4 data is "      "
-----

Note: test7--Master node request PDO data.
-----

Note: test8--Master node show requested PDO data.
Note: Rpdo4 data is "require"
Note: slave node "0x02" entry into "Operational" state!
-----

Note: test9--Master node show received cycle PDO data.
Note: Rpdo2 data is "  cycle"
-----

```

NOTE

tests 1 to 9 are not commands.

- c. After the test code is executed, it automatically prints the list of commands. Num00~06 are normal commands. After executing these instructions without parameters, the instruction usage is displayed. Num08~14 are test commands. All test commands except num10 have no parameters. Argument of Num10 is a 16-bit integer.

- Now the user can execute any command in the command list.

Command List

```
Command List:
-----
num | command | introduction
-----
00 | ctrl_quit | console thread exit!
-----
01 | help | command list
-----
02 | can_quit | exit CANopen thread
-----
03 | setState | set the CANopen node state
-----
04 | showPdo | show the data of RPDO
-----
05 | requestPdo | request the data of RPDO
-----
06 | sdo | read/write one entry by SDO protocol
-----
07 | | 
-----
08 | test_startM | test -- Start master
-----
09 | test_sdoSingle | test -- Read slave node single data
-----
10 | test_sdoSingleW | test -- Write slave node single data
-----
11 | test_sdoBlock | test -- Read slave node block data
-----
12 | test_showPdoCyc | test -- Show cycle PDO data
-----
13 | test_showpdoreq | test -- Show requested PDO data
-----
14 | test_requestpdo | test -- Request PDO data
-----

Note: User can send command by console!
Note: Test code execution is complete!
```

Example: The following example shows the usage log after running the `sdo` command without any parameters.

```
SDO Command:
sdo
usage: sdo -type index subindex nodeid data
        type = "r"(read), "w"(write), "b"(block)
        index = 0~0xFFFF,unsigned short
        subindex = 0~0xFF,unsigned char
        nodeid = 1~127,unsigned char
        data = 0 ~ 0xFFFFFFFF
```

5.2.3.5 Running the SocketCAN commands

This section describes the steps for running SocketCAN commands that can be performed on either of the boards (LS1021A-IoT or LS1028ARDB). These commands are executed on Linux. The standard SocketCAN commands are the following:

1. Open the can0 port.

```
$ ip link set can0 up
```

2. Close the can0 port.

```
$ ip link set can0 down
```

3. Set the baud rate to 500K for the can0 port

```
$ ip link set can0 type can bitrate 500000
```

4. Set can0 port to Loopback mode.

```
$ ip link set can0 type can loopback on
```

5. Send a message through can0. 002 (HEX) is node id, and this value must be 3 characters. 2288DD (HEX) is a message, and can take a value up to 8 bytes.

```
$ cansend can0 002#2288DD
```

6. Monitor can0 port and wait for receiving data.

```
$ candump can0
```

7. See can0 port details.

```
$ ip -details link show can0
```

NOTE

The third and fourth commands are valid when the state of can0 port is closed.

5.2.3.6 Testing CAN bus

Below is the sample code for testing the CAN bus on LS1028ARDB.

```
[root]# ip link set can0 down
[root]# ip link set can1 down
[root]# ip link set can0 type can loopback off
[root]# ip link set can1 type can loopback off
[root]# ip link set can0 type can bitrate 500000
[root]# ip link set can1 type can bitrate 500000
[root]# ip link set can0 up
[root]# ip link set can1 up
[root]# candump can0 &
[root]# candump can1 &
[root]# cansend can0 001#224466
  can0 001  [3] 22 44 66
[root]#   can1 001  [3] 22 44 66
[root]# cansend can1 001#224466
  can0 001  [3] 22 44 66
  can1 001  [3] 22 44 66
[root]# cansend can1 001#113355
```



```
can0 001 [3] 11 33 55
can1 001 [3] 11 33 55
[root]# cansend can0 000#224466
can0 000 [3] 22 44 66
```

5.3 OPC UA

OPC (originally known as “OLE for Process Control”, now “Open Platform Communications”) is a collection of multiple specifications, most common of which is OPC Data Access (OPC DA).

OPC Unified Architecture (OPC UA) was released in 2010 by the OPC Foundation as a backward incompatible standard to OPC Classic, under the name of IEC 62541.

OPC UA has turned away from the COM/DCOM (Microsoft proprietary technologies) communication model of OPC Classic, and switched to a TCP/IP based communication stack (asynchronous request/response), layered into the following:

- Raw connections
- Secure channels
- Sessions

5.3.1 OPC introduction

OPC UA defines:

- The transport protocol for communication (that can take place over HTTP, SOAP/XML or directly over TCP).
- A set of 37 'services' that run on the OPC server, and which clients call into, via an asynchronous request/response RPC mechanism.
- A basis for creating information models of data using object-oriented concepts and complex relationships.

The primary goal of OPC is to extract data from devices in the easiest way possible.

The *Information Model* provides a way for servers to not only provide data, but to do so in the most self-explanatory and intuitive way possible.

NOTE

Further references to 'OPC' in this document will imply OPC UA. OPC Classic is not discussed in this document.

Following are the typical scenarios for embedding an OPC-enabled device into a project:

- Manually investigate (“browse”) the server’s Address Space looking for the data user need using a generic, GUI client (such as UaExpert from Unified Automation, or the FreeOpcUa covered in this chapter).
- Using References and Attributes, understand the format it is in, and the steps that may be needed to convert the data.
- Have a custom OPC client (integrated into the application) subscribe directly to data changes of the node that contains the desired data.

In a typical use case:

- The OPC server runs near the source of information (in industrial contexts, this means near the physical process – for example, on a PLC on a plant floor).
- Clients consume the data at run time (for example, logging into a database, or feeding it into another industrial process).

OPC-enabled applications can be composed: an industrial device may run an OPC client and feed the collected data into another physical process, while also exposing the latter by running an OPC server.

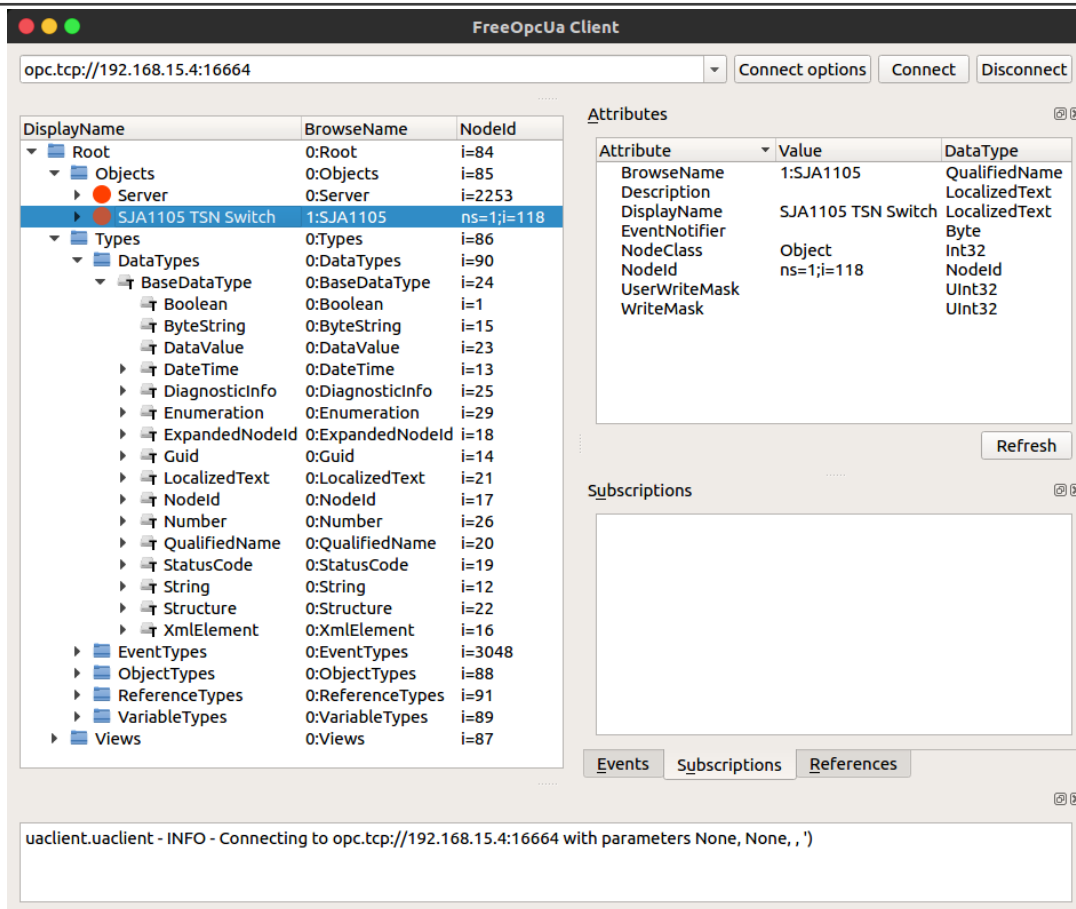
5.3.2 The node model

Data in an OPC server is structured in *Nodes*. The collection of all nodes that an OPC server exposes to its clients is known as an *Address Space*. Some nodes have a predefined meaning, while others have meaning that is unique to the *Information Model* of that specific OPC server.

Every Node has the following *Attributes*:

- an *ID* (unique)
- a *Class* (what type of node it is)
- a *BrowseName* (a string for machine use)
- a *DisplayName* (a string for human use)

Figure 49. OPC UA address space



Shown on the left-hand side of the figure is the *Address Space* (collection of information that the server makes available to clients) of the OPC server found at `opc.tcp://192.168.15.4:16664`.

Selected is a node with NodeID `ns=1;i=118`, BrowseName=`1:SJA1105` and of NodeClass `Object`.

The full path of the selected node is `0:Root,0:Objects,1:SJA1105`.

5.3.3 Node Namespaces

Namespaces are the means for separating multiple Information Models present in the same Address Space of a server.

- Nodes that do not have the `ns=` prefix as part of the NodeID have an implicit `ns=0;` prefix (are part of the namespace `zero`).

- Nodes in *namespace * 0* have NodeID's pre-defined by the OPC UA standard. For example, the `0:Server` object, which holds self-describing information (capabilities, diagnostics, and vendor information), has a predefined NodeID of `ns=0;i=2253;`.

It is considered a good practice to not alter any of the nodes exposed in the *namespace * 0*.

5.3.4 Node classes

OPC nodes have an inheritance model, based on their *NodeClass*.

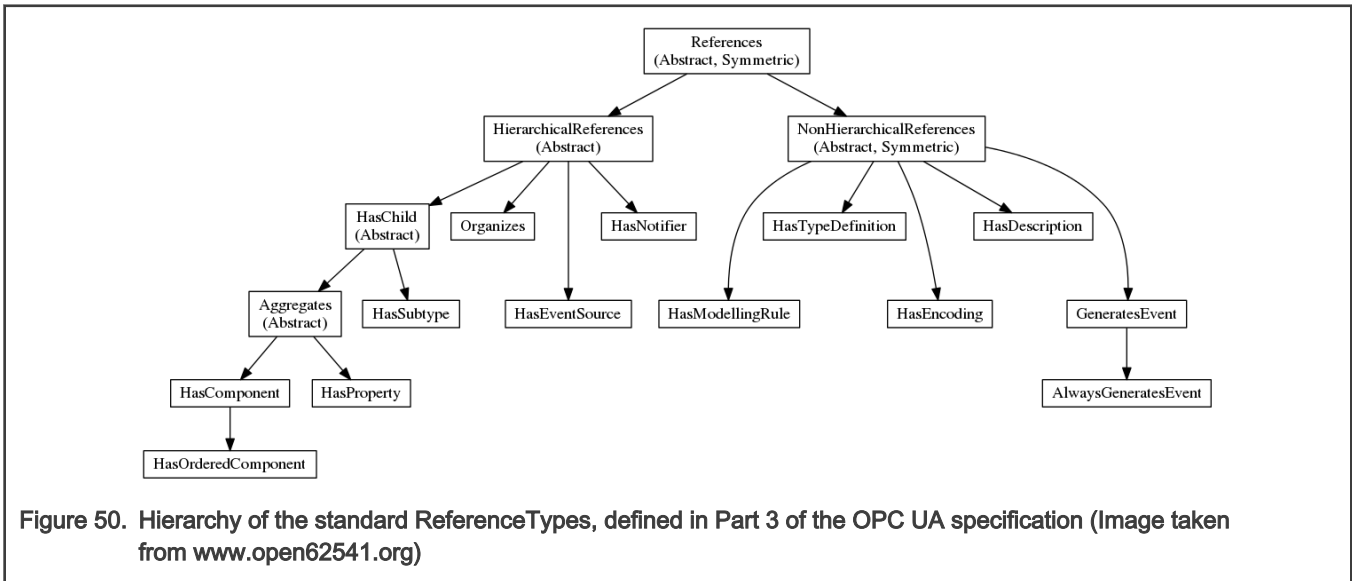
There are eight base node classes defined by the standard:

- Object
- Variable
- Method
- View
- ObjectType
- VariableType
- ReferenceType
- DataType

All nodes have the same base Attributes (inherited from the Node object), plus additional ones depending on their *NodeClass*.

5.3.5 Node graph and references

It may appear that nodes are only chained hierarchically, in a simple parent-child relationship. However, in reality nodes are chained in a complex directed graph, through *References* to other nodes.



In OPC, even ReferenceTypes are Nodes, and as such are structured hierarchically, as can be seen in the figure above.

The definitions of all OPC ReferenceTypes can be found under the `0:Root, 0:Types, 0:ReferenceTypes` path.

The semantics of OPC references can be enriched by creating custom ReferenceType nodes.

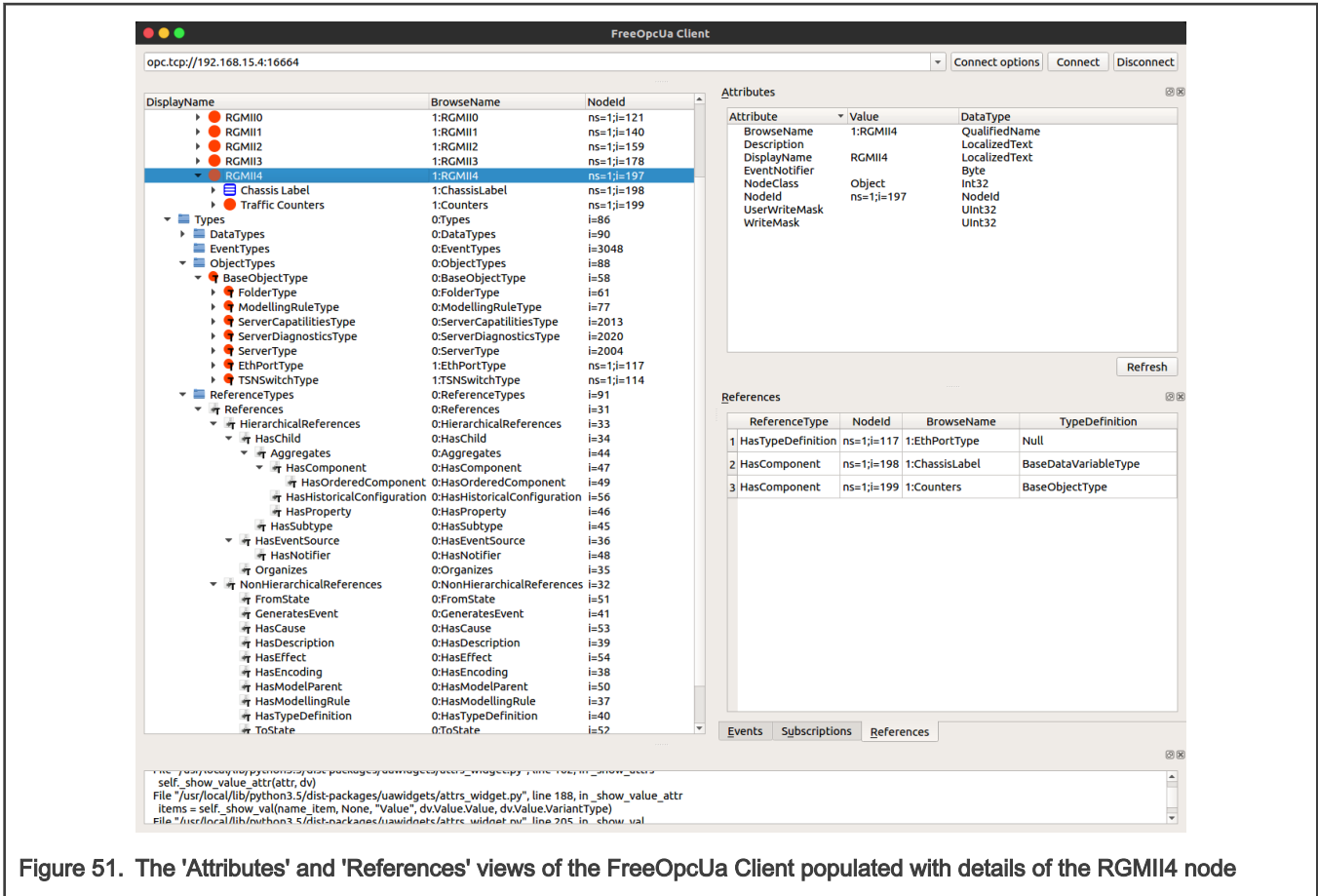


Figure 51. The 'Attributes' and 'References' views of the FreeOpcUa Client populated with details of the RGMII4 node

Selected in the Address Space is node ns=1;i=197. Conceptually, this represents one of the five Ethernet ports of the SJA1105 TSN switch.

Its NodeClass is Object, but it has a reference of type HasTypeDefinition to NodeID ns=1;i=117 which is 1:EthPortType. For this reason, the 1:RGMII4 node is of the custom ObjectType EthPortType.

5.3.6 Open62541

Real-time Edge integrates the Open62541 software stack (<https://open62541.org/>). This supports both server-side and client-side API for OPC UA applications. Only server-side capabilities of open62541 are being shown here.

Open62541 is distributed as a C-based dynamic library (libopen62541.so). The services run on pthreads, and the application code runs inside an event loop.

Enable open62541 in Real-time Edge file ./recipes-nxp/packagegroups/packagegroup-real-time-edge-industrial.bb":

```
libopen62541 \
```

In order to install Open62541 example application, file "meta-real-time-edge/conf/distro/include/libopen62541.inc" has been included in distro configuration.

The following Open62541 example applications are included in the target image:

- open62541_access_control_client
- open62541_access_control_server
- open62541_client
- open62541_client_async

- open62541_client_connect
- open62541_client_connectivitycheck_loop
- open62541_client_connect_loop
- open62541_client_subscription_loop
- open62541_custom_datatype_client
- open62541_custom_datatype_server
- open62541_server_ctt
- open62541_server_inheritance
- open62541_server_instantiation
- open62541_server_loglevel
- open62541_server_mainloop
- open62541_server_nodeset
- open62541_server_repeated_job
- open62541_tutorial_client_events
- open62541_tutorial_client_firststeps
- open62541_tutorial_datatypes
- open62541_tutorial_server_datasource
- open62541_tutorial_server_firststeps
- open62541_tutorial_server_method
- open62541_tutorial_server_monitoreditems
- open62541_tutorial_server_object
- open62541_tutorial_server_variable
- open62541_tutorial_server_variabletype

5.4 NETCONF/YANG

This chapter provides an overview of the NETCONF protocol and Yang (a data modelling language for NETCONF). It describes the applications, installation and configuration steps, operation examples, Web UI demo, and troubleshooting aspects of NETCONF. It also describes how to enable the NETCONF feature in this Real-time Edge software.

5.4.1 Overview

The NETCONF protocol defines a mechanism for device management and configuration retrieval and modification. It uses a remote procedure call (RPC) paradigm and a system of exposing device (server) capabilities, which enables a client to adjust to the specific features of any network equipment. NETCONF further distinguishes between state data (which is read-only) and configuration data (which can be modified). Any NETCONF communication happens on four layers as shown in the table below. XML is used as the encoding format.

Table 61. The NETCONF layers

Layer	Purpose	Example
1	Content	Configuration data, Notification data
2	Operations	<edit-config>

Table continues on the next page...

Table 61. The NETCONF layers (continued)

Layer	Purpose	Example
3	Messages	<rpc>, <rpc-reply>, <notification>
4	Secure	Transport SSH, TLS

YANG is a standards-based, extensible, hierarchical data modeling language that is used to model the configuration and state data used by NETCONF operations, remote procedure calls (RPCs), and server event notifications. The device configuration data are stored in the form of an XML document. The specific nodes in the document as well as the allowed values are defined by a model, which is usually in YANG format or possibly transformed into YIN format with XML-based syntax. There are many such models created directly by IETF to further support standardization and unification of the NETCONF interface of the common network devices. For example, the general system settings of a standard computer are described in the IETF-system model ([rfc7317](#)) or the configuration of its network interfaces defined by the IETF-interfaces model ([rfc7223](#)). However, it is common for every system to have some specific parts exclusive to it. In that case there are mechanisms defined to enable extensions while keeping the support for the standardized core. Also, as this whole mechanism is designed in a liberal fashion, the configuration does not have to concern strictly network. Even RPCs additional to those defined by NETCONF can be characterized, thus allowing the client to request an explicit action from the server.

A YANG module defines a data model through its data, and the hierarchical organization of and constraints on that data. A module can be a complete, standalone entity, or it can reference definitions in other modules and sub-modules as well as augment other data models with additional nodes. The module dictates how the data is represented in XML.

A YANG module defines not only the syntax but also the semantics of the data. It explicitly defines relationships between and constraints on the data. This enables user to create syntactically correct configuration data that meets constraint requirements and enables user to validate the data against the model before uploading it and committing it on a device.

For information about NETCONF, see [RFC 6241](#), NETCONF Configuration Protocol.

For information about YANG, see [RFC 6020](#), YANG - A Data Modeling Language for the Network Configuration Protocol (NETCONF), and related RFCs.

5.4.2 Netopeer2

5.4.2.1 Overview

[Netopeer2](#) is a set of tools implementing network configuration tools based on the NETCONF protocol. This is the second generation of the toolset, originally available as the Netopeer project. It is based on the new generation of the NETCONF and YANG libraries - **libyang** and **libnetconf2**. The Netopeer2 server uses **sysrepo** as a NETCONF datastore implementation. In Real-time Edge software, version **v0.7-r2** was used. It allows developers to control their devices via NETCONF and operators to connect to their NETCONF-enabled devices.

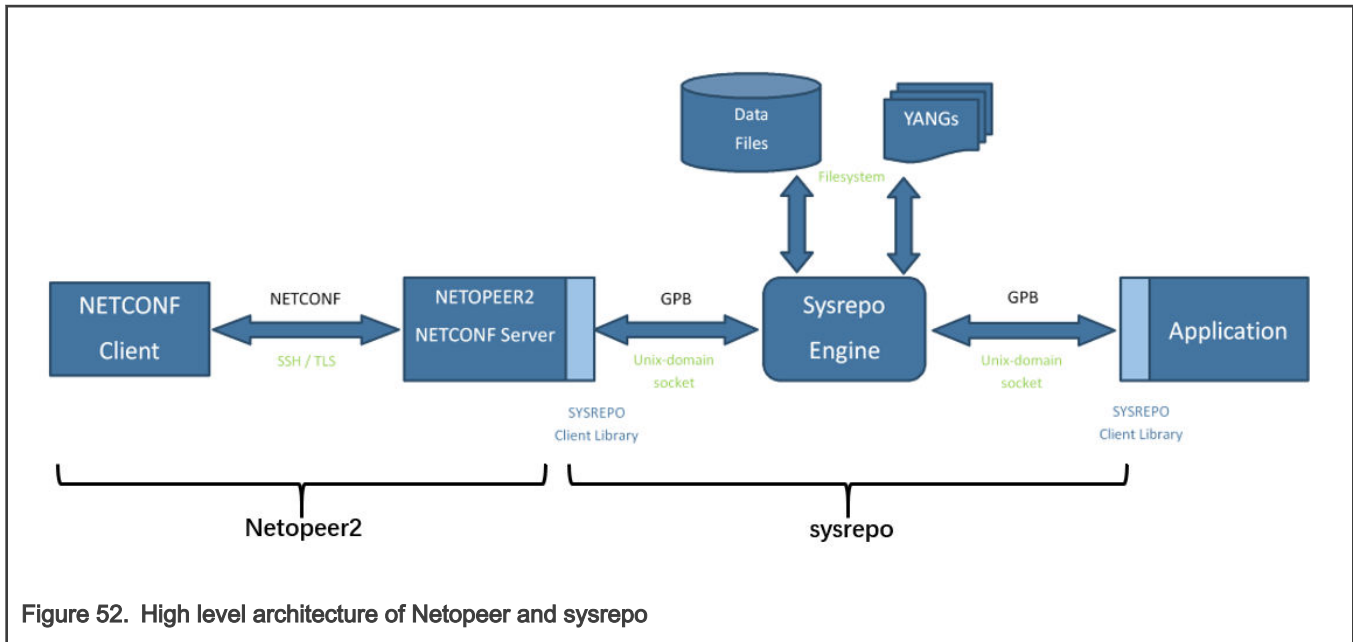


Figure 52. High level architecture of Netopeer and sysrepo

5.4.2.2 Installing Netopeer2-cli on Ubuntu18.04

Use the following steps for installing Netopeer2-cli on Ubuntu18.04 operating systems.

1. Install the following packages:

```
$ sudo apt install -y git cmake build-essential bison autoconf dh-autoreconf flex
$ sudo apt install -y libavl-dev libprotobuf-c-dev protobuf-c-compiler zlib1g-dev
$ sudo apt install -y libgcrypt20-dev libssh-dev libev-dev libpcre3-dev
```

2. Install libyang:

```
$ git clone https://github.com/CESNET/libyang.git
$ cd libyang;
$ git checkout v1.0-r4 -b v1.0-r4
$ mkdir build; cd build
$ cmake -DCMAKE_INSTALL_PREFIX:PATH=/usr ..
$ make
$ sudo make install
```

3. Install sysrepo (v0.7.8):

```
$ git clone https://github.com/sysrepo/sysrepo.git
$ cd sysrepo
$ git checkout v0.7.8 -b v0.7.8
$ mkdir build; cd build
$ cmake -DCMAKE_BUILD_TYPE=Release -DCMAKE_INSTALL_PREFIX:PATH=/usr ..
$ make
$ sudo make install
```

4. Install libnetconf2:

```
$ git clone https://github.com/CESNET/libnetconf2.git
$ cd libnetconf2
$ git checkout v0.12-r2 -b v0.12-r2
$ mkdir build; cd build
```

```
$ cmake -DCMAKE_INSTALL_PREFIX:PATH=/usr ..
$ make
$ sudo make install
```

5. Install protobuf:

```
$ git clone https://github.com/protocolbuffers/protobuf.git
$ cd protobuf
$ git submodule update --init --recursive
$ ./autogen.sh
$ ./configure
$ make
$ sudo make install
$ sudo ldconfig # refresh shared library cache.
```

6. Install Netopeer2-cli(v0.7-r2):

```
$ git clone https://github.com/CESNET/Netopeer2.git
$ cd Netopeer2
$ git checkout v0.7-r2 -b v0.7-r2
$ cd cli
$ cmake -DCMAKE_INSTALL_PREFIX:PATH=/usr .
$ make
$ sudo make install
```

5.4.2.3 Sysrepo

Sysrepo is an **YANG**-based configuration and operational state data store for Unix/Linux applications.

Applications can use sysrepo to store their configuration modeled by provided YANG model instead of using e.g. flat configuration files. In Real-time Edge software, version **v0.7.8** was used. Sysrepo will ensure data consistency of the data stored in the datastore and enforce data constraints defined by YANG model. Applications can currently use **C language API** of sysrepo Client Library to access the configuration in the datastore, but the support for other programming languages is planned for later too (since sysrepo uses **Google Protocol Buffers** as the interface between the datastore and client library, writing of a native client library for any programming language that supports GPB is possible).

For information about sysrepo, see:

<http://www.sysrepo.org/static/doc/html/index.html>

5.4.2.4 Netopeer2 server

Netopeer2 software is a collection of utilities and tools to support the main application, Netopeer2 server, which is a NETCONF server implementation. It uses libnetconf2 for all NETCONF communication. Conforming to the relevant RFCs² and still being part of the aforementioned library, it supports the mandatory SSH as the transport protocol but also TLS. Once a client successfully connects using either of these transport protocols and establishes a NETCONF session, it can send NETCONF RPCs and the Netopeer2 server responds with correct replies.

The following set of tools are a part of the Netopeer server:

- Netopeer2-keystored as a tool for the storage and process of keys.
- Netopeer2-server as the main service daemon integrating the SSH/TLS server.

5.4.2.5 Netopeer2 client

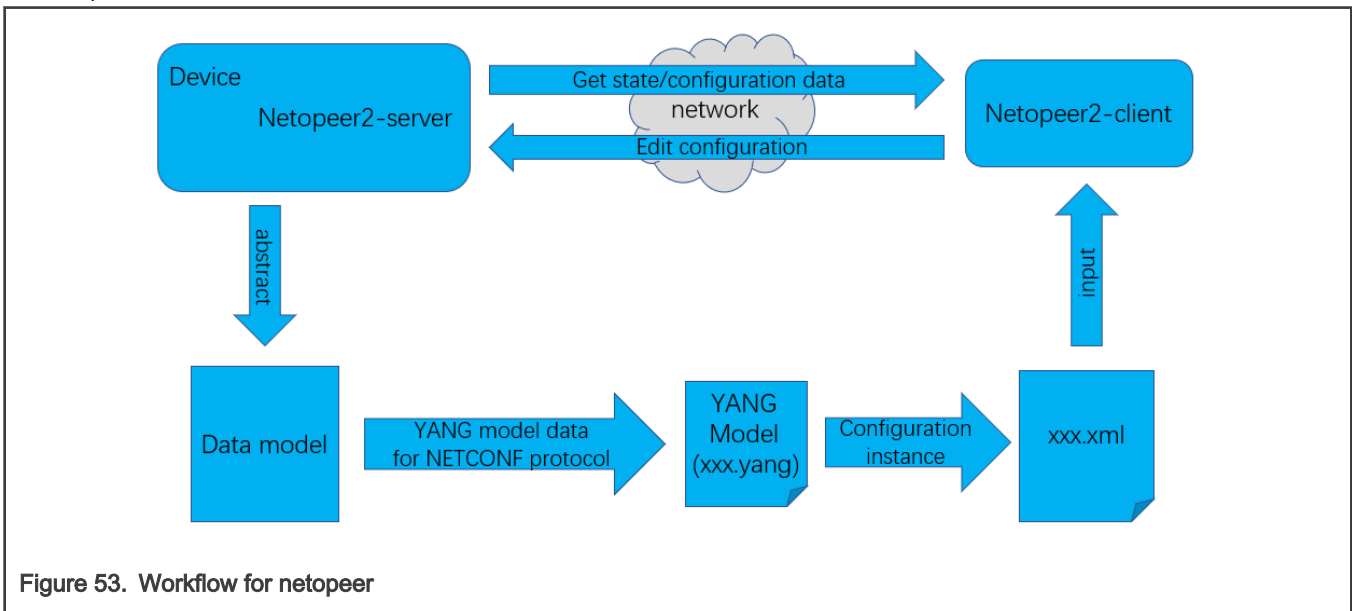
Netopeer2-cli is a CLI interface that allows user to connect to a NETCONF-enabled device and obtain and manipulate its configuration data.

This application is a part of the Netopeer2 software bundle, but compiled and installed separately. It is a NETCONF client with a command line interface developed and primarily used for Netopeer2 server testing, but allowing all the standards and even some optional features of a full-fledged NETCONF client.

Netopeer2-cli serves as a generic NETCONF client providing a simple interactive command line interface. It allows user to establish a NETCONF session with a NETCONF-enabled device on the network and to obtain and manipulate its configuration data.

5.4.2.6 Workflow in application practice

In practical application, we use the YANG language to model the device and generate the YANG model. The model is then instantiated to generate configuration files in XML format. The device was then configured using this configuration file as input via netopeer.



5.4.3 Configuration

5.4.3.1 Enabling NETCONF feature

This feature is enabled by default in Real-time Edge software, build the image using the below command

```
DISTRO=nxp-real-time-edge MACHINE=ls1028ardb source real-time-edge-setup-env.sh -b build-ls1028ardb
```

or

```
DISTRO=nxp-real-time-edge MACHINE=ls1021atsn source real-time-edge-setup-env.sh -b build-ls1021atsn
```

Below packages are enabled by default in Real-time Edge software:

```
netopeer2-keystored netopeer2-server real-time-edge-sysrepo
```

sysrepo-tsn is daemon application to implement tsn configuration based on **sysrepo**. It was enabled for **LS1028ARDB**, **LS1021A-TSN** and **i.MX 8M Plus EVK**.

NOTE

- For LS1028ARDB board, Qbv, Qbu, Qci, stream identification in CB, IP, MAC, and VLAN are supported.
- For LS1021ATSN board, Qbv, IP, MAC and VLAN are supportet.
- real-time-edge-sysrepo was only verified in environment build by **LS1028ARDB, LS1021ATSN and i.MX 8M Plus EVK**.

5.4.3.2 Netopeer2-server

The netopeer2-server is the NETCONF protocol server running as a system daemon. The netopeer2-server is based on sysrepo and libnetconf2 library.

- -U listen locally on a unix socket
- -d debug mode (do not daemonize and print verbose messages to stderr instead of syslog)
- -V: Show program version.
- -v level verbose output level(0 : errors, 1 : errors and warnings, 2 : errors, warnings, and verbose messages).

5.4.3.3 Netopeer2-cli

The netopeer2-cli is command line interface similar to the NETCONF client. It serves as a generic NETCONF client providing a simple interactive command line interface. It allows user to establish a NETCONF session with a NETCONF-enabled device on the network and to obtain and manipulate its configuration data. netopeer2-cli is limited to a single NETCONF connection at a time via a forward or a reverse (Call Home) connecting method.

5.4.3.3.1 Netopeer2 CLI commands

Following are the Netopeer2 CLI commands:

1. **help**: Displays a list of commands. The `--help` option is also accepted by all commands to show detailed information about the command.
2. **connect**: Connects to a NETCONF server.

```
connect [--help] [--ssh] [--host <hostname>] [--port <num>] [--login <username>]
```

The **connect** command has the following arguments:

- **--login** user name: Specifies the user to log in as on the NETCONF server. If not specified, current local user name is taken.
 - **--port** num
 - Port to connect to on the NETCONF server. By default, port 830 for SSH or 6513 for TLS transport is used.
 - **host**
 - Hostname or ip-address of the target NETCONF server.
3. **disconnect**: disconnects from a NETCONF server.
 4. **commit**
 - Performs the NETCONF `commit` operation. For details, see RFC 6241, section 8.3.4.1.
 5. **copy-config**: Performs NETCONF `copy-config` operation. For details, see RFC 6241 section 7.3.

```
copy-config [--help] --target running|startup|candidate:url:<url> (--source running|startup|
candidate:url:<url> | --src-config[=<file>])
  [--defaults report-all|report-all-tagged|trim|explicit]
```

Where, the arguments are the following:

- **--defaults** mode: Use: with the `--defaults` capability with specified retrieval mode. For details, refer to the RFC 6243 section 3 or *WITH-DEFAULTS* section of this manual.
 - **--target** datastore: Specifies the target datastore for the `copy-config` operation. For description of the datastore parameter, refer to [Netopeer2 CLI datastore](#).
 - **--source** datastore: Specifies the source datastore for the `copy-config` operation. For description of the datastore parameter, refer to [Netopeer2 CLI datastore](#).
6. **delete-config** Performs NETCONF `delete-config` operation. Refer to section 7.4 of the RFC 6241 specification for more details.

```
delete-config [--help] --target startup|url:<url>
```

Where

- **target** datastore: Specifies the target datastore for the `delete-config` operation.

7. edit-config

Performs NETCONF `edit-config` operation. For details, refer to RFC 6241 section 7.2.

```
edit-config [--help] --target running|candidate (--config[=<file>] | --url <url>)
  [--defop merge|replace|none] [--test set|test-only|test-then-set] [--error stop|
  continue|rollback]
```

Where

- **--defop** operation:

Specifies default operation for applying configuration data.

- `merge`: Merges configuration data at the corresponding level. By default, the value is `merge`.
- `replace`: Edits configuration data completely replaces the configuration in the target datastore.
- `none`: The target datastore is unaffected by the edit configuration data, unless and until the edit configuration data contains the operation attribute to request a different operation. For more information, see the EDIT-CONFIG section of RFC 6241.

NOTE

To delete non-mandatory items, `nc:operation="delete"` should be added into the end of start tag of the item to be deleted. At the same time, the namespace `xmlns:nc="urn:ietf:params:xml:ns:netconf:base:1.0"` should also be added to the start tag of the root node. Mandatory items cannot be deleted individually. They can only be deleted with their parent node.

- **--error** action

Sets reaction to an error.

- `stop`: Aborts the operation on first error. This is the default value.
- `continue`: Continues to process configuration data on error. The error is recorded and negative response is returned.
- `rollback`: Stops the operation processing on error and restore the configuration to its complete state at the start of this operation. This action is available only if the server supports rollback-on-error capability (see RFC 6241 section 8.5).

- **--test** option

Performs validation of the modified configuration data. This option is available only if the server supports `:validate:1.1` capability (see RFC 6241 section 8.6).

- `set`: Does not perform validation test.

- `test-only`: Does not apply the modified data, only performs the validation test.
 - `test-then-set`: Performs a validation test before attempting to apply modified configuration data. `test-then-set` is the default value.
- **--config file**
 - Specifies path to a file containing edit configuration data. The content of the file is placed into the `config` element of the edit-config operation. Therefore, it does not have to be a well-formed XML document with only a single root element. If neither `--config` nor `--url` is specified, user is prompted to write edit configuration data manually. For examples, see the EDIT-CONFIG section of RFC 6241.
 - **--url URI**
 - Specifies remote location of the file containing the configuration data hierarchy to be modified, encoded in XML under the element `config` in the `urn:ietf:params:xml:ns:netconf:base:1.0` namespace. Note, that this differs from file parameter, where the `config` element is not expected.
 - **--target**
 - Target datastore to modify. For description of possible values, refer to [Netopeer2 CLI datastore](#). Note that the url configuration datastore cannot be modified.
8. **get**: Performs NETCONF `get` operation. Receives both the status as well as configuration data from the current running datastore. Refer to section 7.7 of the RFC 6241 specification for more details. The command format is as follows:

```
get [--help] [--filter-subtree[=<file>] | --filter-xpath <XPath>] [--defaults report-all|report-all-tagged|trim|explicit] [--out <file>]
```

- **--defaults mode**
 - Use with the `-defaults` capability with specified retrieval mode. For further details, refer to the Section 3 or 'WITH-DEFAULTS' section of the RFC 6241 specification.
 - **--filter [file]**
 - Specifies if the request will contain subtree filter (RFC 6241 section 6). The option is able to accept path to the file containing the filter specification. If the path is not specified, user is prompted to write the filter specification manually.
9. **get-config** Performs NETCONF `get-config` operation. Retrieves only configuration data from the specified `target_datastore`. For details, refer to RFC 6241 section 7.1.

```
get-config [--help] --source running|startup|candidate [--filter-subtree[=<file>] | --filter-xpath <XPath>]
  [--defaults report-all|report-all-tagged|trim|explicit] [--out <file>]
```

10. **--defaults mode**
- Use: with the `-defaults` capability with specified retrieval mode. For more details see RFC 6243 section 3 or WITH-DEFAULTS section of this manual.
11. **--filter [file]**
- Specifies if the request will contain subtree filter (RFC 6241 section 6). The option is able to accept path to the file containing the filter specification. If the path is not specified, user is prompted to write the filter specification manually.
12. **--target**
- Target datastore to retrieve. For description of possible values, refer to [Netopeer2 CLI datastore](#). Note, that the url configuration datastore cannot be retrieved.
13. **lock**

Performs the NETCONF `lock` operation to lock the entire configuration datastore of a server. For details, see RFC 6241 section 7.5.

```
lock [--help] --target running|startup|candidate
```

Where the

- **--target:** specifies the target datastore to lock. For description of possible values, refer to [Netopeer2 CLI datastore](#). Note, that the url configuration datastore cannot be locked.

14. **unlock:** Performs the NETCONF `unlock` operation to release a configuration lock, previously obtained with the `lock` operation. Refer to section 7.6 of the RFC 6241 specification for more details.

```
unlock [--help] --target running|startup|candidate
```

where

- **--target:** specifies the target datastore to unlock. For description of possible values, refer to [Netopeer2 CLI datastore](#). Note, that the url configuration datastore cannot be unlocked.

15. **verb**

- Enables/disables verbose messages.

16. **quit**

- Quits the program.

5.4.3.3.2 Netopeer2 CLI datastore

Following are the netopeer2 CLI datastores:

- **running**
 - This is the base NETCONF configuration datastore holding the complete configuration currently active on the device. This datastore always exists.
- **startup**
 - The configuration datastore holding the configuration loaded by the device when it boots. This datastore is available only on servers that implement the `:startup` capability.
- **candidate**
 - The configuration datastore that can be manipulated without impacting the device's current configuration and that can be committed to the running configuration datastore. This datastore is available only on servers that implement `:candidate` capability.
- **url:URI**
 - Refers to a remote configuration datastore located at URI. The file that the URI refers to contains the configuration data hierarchy to be modified, encoded in XML under the element `config` in the `urn:ietf:params:xml:ns:netconf:base:1.0` namespace. This datastore is available only on servers that implement the `:url` capability.

5.4.3.4 Sysrepod

Sysrepo daemon provides the functionality of the datastore on the system (executes the system-wide Sysrepo Engine). In normal circumstances, it gets automatically started when the system starts up. However, auto-start is not configured by `cmake install` operation and user should configure it manually, according to the guidelines of user's system.

Usage:

```
sysrepod [-h] [-v] [-d] [-l <level>]
```

Options:

- -h Prints usage help.
- -v Prints version.
- -d Debug mode - daemon runs in the foreground and print logs to stderr instead of syslog.
- -l <level> Sets verbosity level of logging:
 - 0 = all logging turned off
 - 1 = log only error messages
 - 2 = (default) log error and warning messages
 - 3 = log error, warning and informational messages
 - 4 = log everything, including development debug messages

5.4.3.5 Sysrepcfg

sysrepcfg is a command-line tool for editing, importing, and exporting configuration stored in Sysrepo datastore. It allows users to edit startup or running configuration of specified module in a preferred text editor. It also propagates the performed changes into the datastore transparently for all subscribed applications. Moreover, the user can export the current configuration into a file or get it printed to the standard output. Similarly, an already prepared configuration can be imported from a file or read from the standard input.

In the background, **sysrepcfg** uses Sysrepo client library for any data manipulation rather than directly accessing configuration data files. Thus, it effectively inherits all main features of Sysrepo, such as YANG-based data validation, full transaction and concurrency support. Most importantly, subscribed applications are notified about the changes made using `\fBsysrepcfg\fP` and can immediately take the new configuration into account.

5.4.3.6 Sysrepectl

The `sysrepectl` provides functions to manage modules. It can be configured using the options and commands described below.

operation-operations

- **--help**: Prints the generic description and a list of commands. The detailed description and list of arguments for the specific command are displayed by using `--help` argument of the command.
- **--install**: Installs specified schema into sysrepo (`--yang` or `--yin` must be specified).
- **--uninstall**: Uninstalls specified schema from sysrepo (`--module` must be specified).
- **--list**: Lists YANG modules installed in sysrepo (note that Conformance Installed implies also Implemented).
- **--change** : Changes specified module in sysrepo (`--module` must be specified).
- **--feature-enable**: Enables a feature within a module in sysrepo (feature name is the argument, `--module` must be specified).
- **--feature-disable**: Disables a feature within a module in sysrepo (feature name is the argument, `--module` must be specified).

Other-options

- **--yang** : Path to the file with schema in YANG format (`--install` operation).
- **--yin** : Path to the file with schema in YIN format (`--install` operation).
- **--module** : Name of the module to be operated on (`--change`, `--feature-enable`, `--feature-disable` operations, `--uninstall` - several modules can be delimited with ',').
- **--permissions** : Access permissions of the module's data in chmod format (`--install`, `--change` operations).

Examples

- Installs a new module by specifying YANG file, ownership and access permissions:

```
sysrepoctl --install --yang=/home/user/ietf-interfaces.yang --owner=admin:admin --permissions=644
```

- Changes the ownership and permissions of an existing YANG module:

```
sysrepoctl --change --module=ietf-interfaces --owner=admin:admin --permissions=644
```

- Enables a feature within a YANG module:

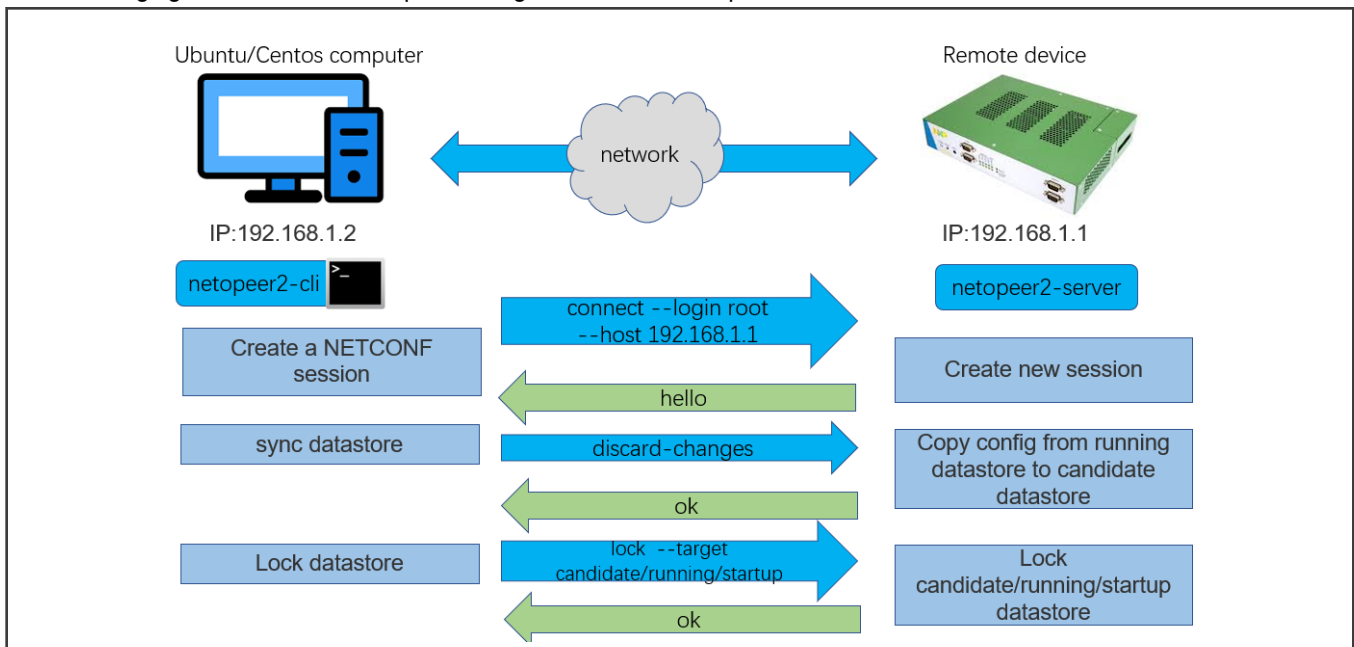
```
sysrepoctl --feature-enable=if-mib --module=ietf-interfaces
```

- Uninstalls 2 modules, second one is without revision:

```
sysrepoctl --uninstall --module=mod-a,mod-b --revision=2035-05-05
```

5.4.3.7 Operation examples

The following figure describes the steps to configure device via netopeer2:



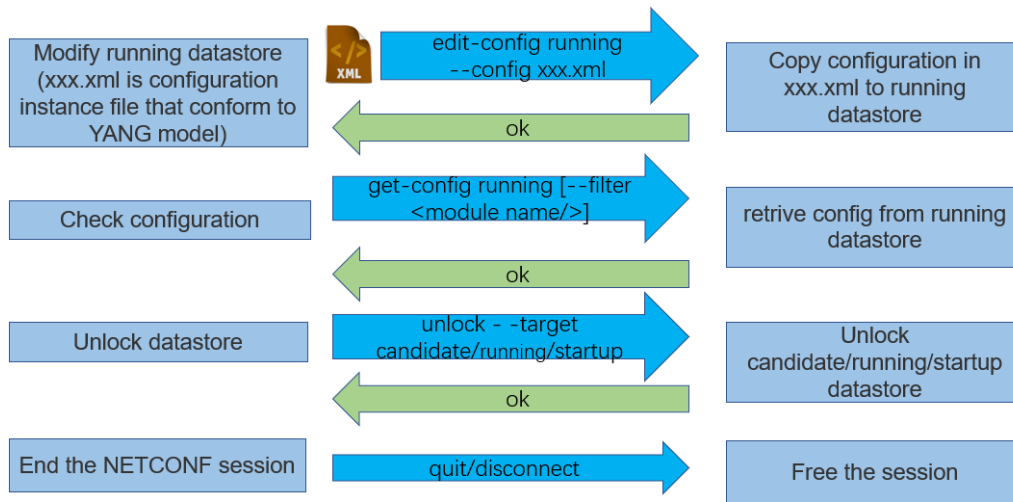


Figure 54. Steps to configure device via netopeer2

In [sysrepo-tsn](#), there are some instance files to configure TSN features on LS1028ARDB board:

- [Instance files for TSN configuration](#)

Users can configure TSN functions of LS1028ARDB board using these instance files. Before starting, make sure that **sysrepopd**, **sysrepo-pluginind**, **sysrepo-tsn** and **netopeer2-server** are running on the board. Use the following steps to configure TSN feature on LS1028ARDB board.

1. Start netopeer2-cli on the computer with netopeer2-cli installed:

```
$ netopeer2-cli
```

2. Connect to netopeer2-server on LS1028ARDB board (use the IP on LS1028ARDB, here 10.193.20.53 is example):

```
> connect --login root --host 10.193.20.53
```

3. Get status data of server:

```
> get
```

4. Get configuration data in running datastore:

```
> get-config --source running
```

5. Configure QBV feature of LS1028ARDB with [qbv-eno0-enable.xml](#)

```
> edit-config --target running --config=qbv-eno0-enable.xml
```

6. Check configuration data of QBV:

```
> get-config --source running --filter-xpath /ietf-interfaces:interfaces/interface[name='eno0']/  
ieee802-dot1q-sched:gate-parameters
```

7. Copy configuration data in **running** datastore to **startup** datastore:

```
> copy-config --source running --target startup
```


8. Disconnect with netopeer2-server:

```
> disconnect
```

5.4.3.8 Application scenarios

NOTE

The related xml file in the following cases can be obtained from the link: <https://github.com/real-time-edge-sw/real-time-edge-sysrepo/blob/master/Instances>.

NOTE

The interface name in the xml file should match with the actual interface name used on the board.

1. Prerequisites:

- a. Start netopeer2-cli on the computer with netopeer2-cli installed:

```
$ netopeer2-cli
```

- b. Connect to the netopeer2-server using the command below:

```
> connect --login root --host 10.193.20.53
```

2. Configure the IP address:

- a. Edit configuration file, change Ethernet interface name and IP:

```
$ vim ietf-ip-cfg.xml
```

- b. Send the configuration file:

```
> edit-config --target running --config=ietf-ip-cfg.xml
```

3. Configure the MAC address for the bridge:

- a. Create a bridge named br1:

```
$ ip link add name br1 type bridge
```

- b. Edit the configuration file, change bridge name and MAC:

```
$ vim ietf-mac-cfg.xml
```

- c. Send the configuration file:

```
$ edit-config --target running --config=ietf-mac-cfg.xml
```

4. Add VLAN for Ethernet interface:

- a. Create bridge named "br1" if not existing:

```
$ ip link add name br1 type bridge
```

- b. Edit the configuration file to change the interface name and VLAN ID:

```
$ vim ietf-vlan-cfg.xml
```

- c. Send the configuration file:

```
> edit-config --target running --config=ietf-vlan-cfg.xml
```

5. Configure LS1028ARDB Qbv via tc.

- a. Edit the configuration file to change the interface name and VLAN ID:

```
$ vim qbv-swp0-enable.xml
```

- b. Send the configuration file:

```
> edit-config --target running --config=qbv-swp0-enable.xml
```

- c. Show the result.

```
# tc qdisc show dev swp0
```

NOTE

If using tc or ethtool commands instead of libtsn, enable "real-time-edge-sysrepo-tc" in conf/distro/include/real-time-edge-base.inc as shown below:

```
REAL_TIME_EDGE_SYSREPO_ls1028ardb = "real-time-edge-sysrepo-tc"
```

Otherwise, disable "real-time-edge-sysrepo-tc":

```
REAL_TIME_EDGE_SYSREPO_ls1028ardb = ""
```

- For LS1028ARDB board, if `real-time-edge-sysrepo-tc` is enabled, you should set prerequisite for `swpx` (swp0 swp1 or swp2 ...) port using the following commands:

```
# tc qdisc add dev swpx ingress
# tc filter add dev swpx ingress chain 0 pref 49152 flower skip_sw action goto chain 10000
# tc filter add dev swpx ingress chain 10000 pref 49152 flower skip_sw # action goto
chain 11000
# tc filter add dev swpx ingress chain 11000 pref 49152 flower skip_sw action goto
chain 12000
# tc filter add dev swpx ingress chain 12000 pref 49152 flower skip_sw action goto
chain 20000
# tc filter add dev swpx ingress chain 20000 pref 49152 flower skip_sw action goto
chain 21000
# tc filter add dev swpx ingress chain 21000 pref 49152 flower skip_sw action goto
chain 30000
```

6. Configure LS1028ARDB Qci via tc using the steps below.

- a. Create a bridge named "switch" if not existing:

```
# ip link add name switch type bridge
```

- b. Edit and send configuration file:

```
edit-config --target running --config=switch-qci-fm-gate-enable.xml
```

- c. Show the result.

```
# tc filter show dev swp0 ingress
```

d. Disable the configuration.

```
> edit-config --target running --config=switch-qci-fm-gate-disable.xml
```

NOTE

- The destination-address in instance file should be learned by switch.
- Users should send switch-qci-fm-gate-disable.xml after switch-qci-fm-gate-enable.xml

7. Configure LS1028ARDB Qbu via ethtool using the steps below.

a. Edit and send configuration file:

```
> edit-config --target running --config=qbu-swp0.xml
```

b. Show the result:

```
# ethtool --show-frame-preemption swp0
```

8. Configure LS1028ARDB VLAN ID and priority filter via tc:

a. Edit configuration file, change the interface name and action_spec:

```
$ vim ietf-br-vlan-cfg.xml
```

b. Send the configuration file:

```
> edit-config --target running --config=ietf-br-vlan-cfg.xml
```

9. Configure SJA1105 Qbv via tc

a. Edit and send configuration file

```
> edit-config --target running --config=qbv-swp5-tc.xml
```

b. Show the result:

```
# tc qdisc show dev swp5
```

NOTE

Due to hardware limitation of SJA1105, if you want to config `qbv` again, you should delete the former `qdisc` using the following command:

```
# tc qdisc del dev swp5 parent root handle 100
```

10. Configure SJA1105 Qci gate via tc

a. Create bridge named "switch" if not existing:

```
# ip link add name switch type bridge
```

b. Edit and send configuration file:

```
> edit-config --target running --config=switch-qci-gate-swp2-enable.xml
```

c. Show the result:

```
# tc filter show dev swp2 ingress
```

NOTE

If you want to test Qci flow meter, you must send `switch-qci-fm-swp2-enable.xml`.

NOTE

The engine used to schedule the ingress gate operations is the same that the one used for the tc-taprio offload. Therefore, the restrictions regarding the fact that no two gate actions (either tc-gate or tc-taprio gates) may fire at the same time (during the same 200 ns slot) still apply.

11. Configure i.MX 8M Plus Qbv via tc.

- a. Edit and send configuration file:

```
> edit-config --target running --config=qbv-eth1-enable.xml
```

- b. Display the result using the command below:

```
# tc qdisc show dev eth1
```

12. Configure i.MX 8M Plus Qbu via ethtool.

- a. Edit and send configuration file:

```
> edit-config --target running --config=qbu-eth1.xml
```

- b. Display the result using the command below:

```
# ethtool --show-frame-preemption eth1
```

5.4.4 Troubleshooting

1. Connection fails at client side:

```
nc ERROR: Remote host key changed, the connection will be terminated!
nc ERROR: Checking the host key failed.
cmd_connect: Connecting to the 10.193.20.4:830 as user "root" failed.
```

Fixing:

The reason is that the SSHD key changed at the server.

- First, users should get host list using the command `knownhosts`.
- Then, remove the related item. For example `knownhosts --del 19`.

2. Request could not be completed because the relevant data model content does not exist.

```
type:      application
tag:       data-missing
severity:  error
path:      /ietf-interfaces:interfaces/interface[name='eno0']/ieee802-dot1q-sched:gate-
parameters/admin-gate-states
message:   Request could not be completed because the relevant data model content does not exist.
```

Fixing:

The reason is that the configuration data in xpath does not exist in the datastore. Such as deleting a node that does not exist.

When encountering such an error, user can get configuration data in the board with `get-config` command, and check whether the operation type (add/delete/modify) of the node in the path is reasonable or not.

5.5 Graphics on LS1028A

This chapter is applicable to LS1028A. For i.MX 8M Plus and 8M Mini, refer to [i.MX Graphics User's Guide](#) for verification of features.

5.5.1 GPU

The GPU consists of a 3D graphics core and a 2D graphics core.

3D graphics core features are the following:

- Supports 166 million triangles/sec
- Supports 1 Giga pixel/sec fill rate
- Supports 16 GFLOPs
- Supports OpenGL ES 1.1, 2.0, 3.0, 3.1
- Supports OpenCL 1.2
- Vulkan

2D graphics core features are:

- Supports multi-source composition
- Supports one-pass filter
- Supports tile format from 3D graphics core
- Supports tile format from VPU

Step1: Software setting and configuration

GPU is enabled by default when compiling the image for i.MX 8M Plus, i.MX 8M Mini and LS1028A.

Step 2: Hardware setup

- For LS1028ARDB, connect the monitor and LS1028ARDB with DP cable.
- For i.MX 8M Mini EVK, connect MIPI-DSI to HDMI module, then connect to monitor.
- For i.MX 8M Plus EVK, connect the monitor and i.MX 8M Plus EVK with HDMI cable.

Insert the USB mouse into USB port in the keyboard.

Step 3: Running GPU demo

OpenCL demo (example A and B) just suites to LS1028ARDB and i.MX 8M Plus EVK. i.MX 8M Mini EVK does not support this feature.

A. OpenCL information

```
root@LS1028ARDB:~# cd /usr/share/examples/viv_samples/cl11/UnitTest
root@LS1028ARDB-Ubuntu:/usr/share/examples/viv_samples/cl11/UnitTest# ./clinfo

>>>>>>> ./clinfo Starting...

Available platforms: 1

Platform ID: 0
  CL_PLATFORM_NAME:      Vivante OpenCL Platform
  CL_PLATFORM_PROFILE:   FULL_PROFILE
  CL_PLATFORM_VERSION:   OpenCL 1.2 V6.4.0.p2.234062
  CL_PLATFORM_VENDOR:    Vivante Corporation
  CL_PLATFORM_EXTENSIONS: cl_khr_icd
```

```

Available devices:      1

Device ID:             0
Device Ptr:            0xd04742f0
  CL_DEVICE_NAME:      Vivante OpenCL Device GC7000UL.6202.0000
  CL_DEVICE_VENDOR:    Vivante Corporation
  CL_DEVICE_TYPE:      GPU
  CL_DEVICE_OPENCCL_C_VERSION:  OpenCL C 1.2
  CL_DEVICE_VENDOR_ID: 0x00564956
  CL_DEVICE_PLATFORM:  0x9e272728
  CL_DEVICE_VERSION:   OpenCL 1.2
  CL_DEVICE_PROFILE:    FULL_PROFILE
  CL_DRIVER_VERSION:   OpenCL 1.2 V6.4.0.p2.234062
  CL_DEVICE_MAX_COMPUTE_UNITS: 1
  CL_DEVICE_MAX_WORK_ITEM_DIMENSIONS: 3
    CL_DEVICE_MAX_WORK_ITEM_SIZES[0]: 512
    CL_DEVICE_MAX_WORK_ITEM_SIZES[1]: 512
    CL_DEVICE_MAX_WORK_ITEM_SIZES[2]: 512
  CL_DEVICE_MAX_WORK_GROUP_SIZE: 512
  CL_DEVICE_MAX_CLOCK_FREQUENCY: 650 MHz
  CL_DEVICE_IMAGE_SUPPORT: Yes
    CL_DEVICE_MAX_READ_IMAGE_ARGS: 128
    CL_DEVICE_MAX_WRITE_IMAGE_ARGS: 8
    CL_DEVICE_IMAGE2D_MAX_WIDTH: 8192
    CL_DEVICE_IMAGE2D_MAX_HEIGHT: 8192
    CL_DEVICE_IMAGE3D_MAX_WIDTH: 8192
    CL_DEVICE_IMAGE3D_MAX_HEIGHT: 8192
    CL_DEVICE_IMAGE3D_MAX_DEPTH: 8192
    CL_DEVICE_MAX_SAMPLERS: 16
...

```

B. Fourier transform based on GPU

```

root@LS1028ARDB-Ubuntu:~# cd /usr/share/examples/viv_samples/cl11/fft/
root@LS1028ARDB-Ubuntu:/usr/share/examples/viv_samples/cl11/fft# ./fft 16
Block size: 16
Print result: yes

Initializing device(s)...
Get the Device info and select Device...
# of Devices Available = 1
# of Compute Units = 1
# compute units = 1
Creating Command Queue...
log2(fft size) = log2(16)=4
Compiling radix-2 FFT Program for GPU...
creating radix-2 kernels...
Creating kernel fft_radix2 0 (p=1)...
Creating kernel fft_radix2 1 (p=2)...
Creating kernel fft_radix2 2 (p=4)...
Creating kernel fft_radix2 3 (p=8)...
Setting kernel args for kernel 0 (p=1)...
Setting kernel args for kernel 1 (p=2)...
Setting kernel args for kernel 2 (p=4)...
Setting kernel args for kernel 3 (p=8)...
running kernel 0 (p=1)...
running kernel 1 (p=2)...
running kernel 2 (p=4)...
running kernel 3 (p=8)...
Kernel execution time on GPU (kernel 0) : 0.000118 seconds

```

```
Kernel execution time on GPU (kernel 1) : 0.000122 seconds
Kernel execution time on GPU (kernel 2) : 0.000102 seconds
Kernel execution time on GPU (kernel 3) : 0.000076 seconds
Total Kernel execution time on GPU : 0.000418 seconds
Successful.
```

C. OpenGL ES demo

kmscube is used to test OpenGL ES, it supports HDMI and eDP interface.

For eDP interface, 4K resolution is not supported due to firmware limitation.

```
root@LS1028ARDB:~# kmscube
Using display 0x3107b6d0 with EGL version 1.5
=====
EGL information:
  version: "1.5"
  vendor: "Vivante Corporation"
  client extensions: "EGL_EXT_client_extensions EGL_EXT_platform_base EGL_KHR_platform_wayland
EGL_EXT_platform_wayland EGL_KHR_platform_gbm"
  display extensions: "EGL_KHR_fence_sync EGL_KHR_reusable_sync EGL_KHR_wait_sync EGL_KHR_image
EGL_KHR_image_base EGL_KHR_image_pixmap EGL_KHR_gl_texture_2D_image EGL_KHR_gl_texture_cubemap_image
EGL_KHR_gl_renderbuffer_image EGL_EXT_image_dma_buf_import EGL_EXT_image_dma_buf_import_modifiers
EGL_KHR_lock_surface EGL_KHR_create_context EGL_KHR_no_config_context EGL_KHR_surfaceless_context
EGL_KHR_get_all_proc_addresses EGL_EXT_create_context_robustness EGL_EXT_protected_surface
EGL_EXT_protected_content EGL_EXT_buffer_age EGL_ANDROID_native_fence_sync
EGL_WL_bind_wayland_display EGL_WL_create_wayland_buffer_from_image EGL_KHR_partial_update
EGL_EXT_swap_buffers_with_damage EGL_KHR_swap_buffers_with_damage"
=====
OpenGL ES 2.x information:
  version: "OpenGL ES 3.1 V6.4.0.p2.234062"
  shading language version: "OpenGL ES GLSL ES 3.10"
  vendor: "Vivante Corporation"
  renderer: "Vivante GC7000UL"
  extensions: "GL_OES_vertex_type_10_10_10_2 GL_OES_vertex_half_float GL_OES_element_index_uint
GL_OES_mapbuffer GL_OES_vertex_array_object GL_OES_compressed_ETC1_RGB8_texture
GL_OES_compressed_paletted_texture GL_OES_texture_npot GL_OES_rgb8_rgba8 GL_OES_depth_texture
GL_OES_depth_texture_cube_map GL_OES_depth24 GL_OES_depth32 GL_OES_packed_depth_stencil
GL_OES_fbo_render_mipmap GL_OES_get_program_binary GL_OES_fragment_precision_high
GL_OES_standard_derivatives GL_OES_EGL_image GL_OES_EGL_sync GL_OES_texture_stencil8
GL_OES_shader_image_atomic GL_OES_texture_storage_multisample_2d_array GL_OES_required_internalformat
GL_OES_surfaceless_context GL_OES_draw_buffers_indexed GL_OES_texture_border_clamp
GL_OES_texture_buffer GL_OES_texture_cube_map_array GL_OES_draw_elements_base_vertex
GL_OES_texture_half_float GL_OES_texture_float GL_KHR_blend_equation_advanced GL_KHR_debug
GL_KHR_robustness GL_KHR_robust_buffer_access_behavior GL_EXT_texture_type_2_10_10_10_REV
GL_EXT_texture_compression_dxt1 GL_EXT_texture_format_BGRA8888 GL_EXT_texture_compression_s3tc
GL_EXT_read_format_bgra GL_EXT_multi_draw_arrays GL_EXT_frag_depth GL_EXT_discard_framebuffer
GL_EXT_blend_minmax GL_EXT_multisampled_render_to_texture GL_EXT_color_buffer_half_float
GL_EXT_color_buffer_float GL_EXT_robustness GL_EXT_texture_sRGB_decode GL_EXT_draw_buffers_indexed
GL_EXT_texture_border_clamp GL_EXT_texture_buffer GL_EXT_texture_cube_map_array
GL_EXT_multi_draw_indirect GL_EXT_draw_elements_base_vertex GL_EXT_texture_rg
GL_EXT_protected_textures GL_EXT_sRGB GL_VIV_direct_texture "
=====
Rendered 120 frames in 2.000008 sec (59.999758 fps)
Rendered 241 frames in 4.016689 sec (59.999663 fps)
Rendered 361 frames in 6.016730 sec (59.999368 fps)
```

Below is the snapshot on screen.

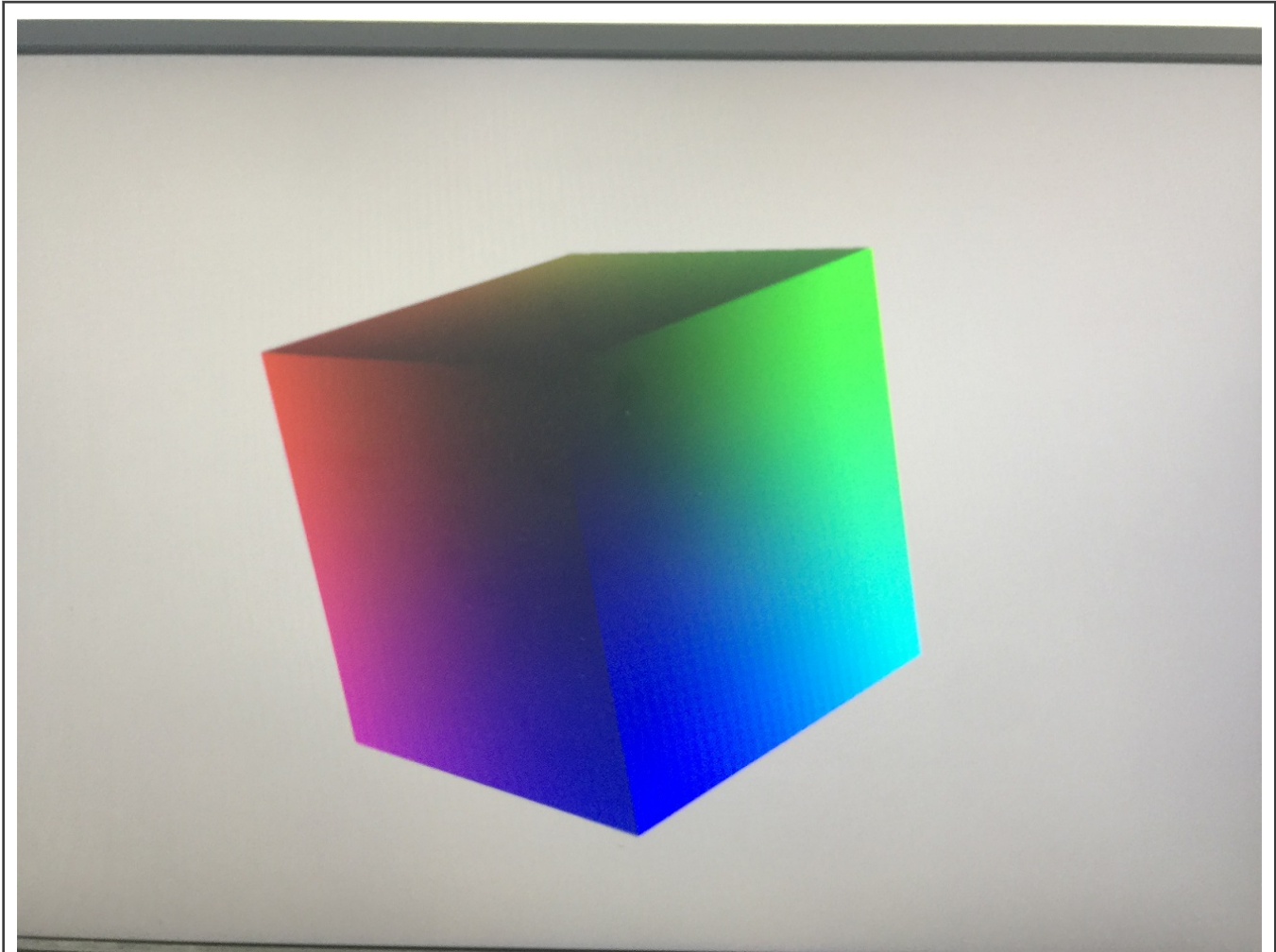


Figure 55. OpenGL ES demo with kmscube

5.5.2 Wayland and Weston

Weston is the reference implementation of a Wayland, this section describes how to enable Weston on NXP platforms. Weston is supported by LS1028ARDB, iMX 8M Plus EVK and iMX 8M Mini EVK platforms.

1. Software setting and configuration

It's been enabled by default when compiling image for i.MX 8M Plus, i.MX 8M Mini and LS1028A.

2. Hardware setup

- For LS1028ARDB, connect the monitor and LS1028ARDB with DP cable.
- For i.MX 8M Plus EVK, connect the monitor and i.MX 8M Plus EVK with HDMI cable.
- For i.MX 8M Mini EVK, connect MIPI-DSI to HDMI module, then connect to monitor. Then, insert USB mouse and keyboard into USB port.

3. Run the lightweight desktop

```
root@LS1028ARDB:~# mkdir -p /run/user/0/
root@LS1028ARDB:~# export XDG_RUNTIME_DIR="/run/user/0/"
root@LS1028ARDB:~# weston --tty=1
# With parameter "-i" or "--idle-time" to set the time to enter idle state, default is 300s.
# "0" means weston will not enter idle state.
```



```

root@LS1028ARDB:~# weston --tty=1 -i 0 # or
root@LS1028ARDB:~# weston --tty=1 --idle-time=0

Date: 2020-08-20 UTC
[14:38:00.002] weston 8.0.0
                https://wayland.freedesktop.org
                Bug reports to: https://gitlab.freedesktop.org/wayland/weston/issues/
                Build: 8.0.0
[14:38:00.002] Command line: weston --tty=1
[14:38:00.002] OS: Linux, 5.4.3-rt1, #1 SMP PREEMPT_RT Tue Aug 18 14:49:14 CST 2020, aarch64
[14:38:00.002] Starting with no config file.
[14:38:00.005] Output repaint window is 16 ms maximum.
[14:38:00.007] Loading module '/usr/lib/libweston-8/drm-backend.so'
[14:38:00.050] initializing drm backend
[14:38:00.054] using /dev/dri/card0
[14:38:00.054] DRM: supports universal planes
[14:38:00.054] DRM: supports atomic modesetting
[14:38:00.054] DRM: supports picture aspect ratio
[14:38:00.056] Loading module '/usr/lib/libweston-8/gl-renderer.so'
[14:38:00.208] EGL client extensions: EGL_EXT_client_extensions
                EGL_EXT_platform_base EGL_KHR_platform_wayland
                EGL_EXT_platform_wayland EGL_KHR_platform_gbm
[14:38:00.224] EGL version: 1.5
[14:38:00.224] EGL vendor: Vivante Corporation
[14:38:00.224] EGL client APIs: OpenGL_ES OpenGL_OpenVG
[14:38:00.224] EGL extensions: EGL_KHR_fence_sync EGL_KHR_reusable_sync
                EGL_KHR_wait_sync EGL_KHR_image EGL_KHR_image_base
                EGL_KHR_image_pixmap EGL_KHR_gl_texture_2D_image
                EGL_KHR_gl_texture_cubemap_image EGL_KHR_gl_renderbuffer_image
                EGL_EXT_image_dma_buf_import
                EGL_EXT_image_dma_buf_import_modifiers EGL_KHR_lock_surface
                EGL_KHR_create_context EGL_KHR_no_config_context
                EGL_KHR_surfaceless_context EGL_KHR_get_all_proc_addresses
                EGL_EXT_create_context_robustness EGL_EXT_protected_surface
                EGL_EXT_protected_content EGL_EXT_buffer_age
                EGL_ANDROID_native_fence_sync EGL_WL_bind_wayland_display
                EGL_WL_create_wayland_buffer_from_image EGL_KHR_partial_update
                EGL_EXT_swap_buffers_with_damage
                EGL_KHR_swap_buffers_with_damage
[14:38:00.224] EGL_KHR_surfaceless_context available
[14:38:00.310] GL version: OpenGL ES 3.1 V6.4.0.p2.234062
[14:38:00.311] GLSL version: OpenGL ES GLSL ES 3.10
[14:38:00.311] GL vendor: Vivante Corporation
[14:38:00.311] GL renderer: Vivante GC7000UL
[14:38:00.311] GL extensions: GL_OES_vertex_type_10_10_10_2
                GL_OES_vertex_half_float GL_OES_element_index_uint
                GL_OES_mapbuffer GL_OES_vertex_array_object
                GL_OES_compressed_ETC1_RGB8_texture
                GL_OES_compressed_paletted_texture GL_OES_texture_npot
                GL_OES_rgb8_rgba8 GL_OES_depth_texture
                GL_OES_depth_texture_cube_map GL_OES_depth24 GL_OES_depth32
                GL_OES_packed_depth_stencil GL_OES_fbo_render_mipmap
                GL_OES_get_program_binary GL_OES_fragment_precision_high
                GL_OES_standard_derivatives GL_OES_EGL_image GL_OES_EGL_sync
                GL_OES_texture_stencil8 GL_OES_shader_image_atomic
                GL_OES_texture_storage_multisample_2d_array
                GL_OES_required_internalformat GL_OES_surfaceless_context
                GL_OES_draw_buffers_indexed GL_OES_texture_border_clamp
                GL_OES_texture_buffer GL_OES_texture_cube_map_array
                GL_OES_draw_elements_base_vertex GL_OES_texture_half_float

```

```

GL_OES_texture_float GL_KHR_blend_equation_advanced
GL_KHR_debug GL_KHR_robustness
GL_KHR_robust_buffer_access_behavior
GL_EXT_texture_type_2_10_10_10_REV
GL_EXT_texture_compression_dxt1 GL_EXT_texture_format_BGRA8888
GL_EXT_texture_compression_s3tc GL_EXT_read_format_bgra
GL_EXT_multi_draw_arrays GL_EXT_frag_depth
GL_EXT_discard_framebuffer GL_EXT_blend_minmax
GL_EXT_multisampled_render_to_texture
GL_EXT_color_buffer_half_float GL_EXT_color_buffer_float
GL_EXT_robustness GL_EXT_texture_sRGB_decode
GL_EXT_draw_buffers_indexed GL_EXT_texture_border_clamp
GL_EXT_texture_buffer GL_EXT_texture_cube_map_array
GL_EXT_multi_draw_indirect GL_EXT_draw_elements_base_vertex
GL_EXT_texture_rg GL_EXT_protected_textures GL_EXT_sRGB
GL_VIV_direct_texture
[14:38:00.311] GL ES 2 renderer features:
    read-back format: BGRA
    wl_shm sub-image to texture: yes
    EGL Wayland extension: yes
[14:38:00.343] warning: no input devices on entering Weston. Possible causes:
    - no permissions to read /dev/input/event*
    - seats misconfigured (Weston backend option 'seat', udev device property ID_SEAT)
[14:38:00.343] failed to create input devices
[14:38:00.349] DRM: head 'DP-1' found, connector 56 is connected, EDID make 'DELL', model 'DELL
P2417H', serial 'C9G5D7561ECB'
[14:38:00.349] Registered plugin API 'weston_drm_output_api_v1' of size 24
[14:38:00.357] Chosen EGL config details: id: 41 rgba: 8 8 8 0 buf: 24 dep: 0 stcl: 0 int: 1-60
type: win|pix|pbf|swap_preserved vis_id: XRGB8888 (0x34325258)
[14:38:00.357] Output DP-1 (crtc 48) video modes:
    1920x1080@60.0, preferred, current, 148.5 MHz
    1600x900@60.0, 108.0 MHz
    1280x1024@75.0, 135.0 MHz
    1280x1024@60.0, 108.0 MHz
    1152x864@75.0, 108.0 MHz
    1024x768@75.0, 78.8 MHz
    1024x768@60.0, 65.0 MHz
    800x600@75.0, 49.5 MHz
    800x600@60.3, 40.0 MHz
    640x480@75.0, 31.5 MHz
    640x480@59.9, 25.2 MHz
    720x400@70.1, 28.3 MHz
[14:38:00.357] Output 'DP-1' enabled with head(s) DP-1
[14:38:00.357] Compositor capabilities:
    arbitrary surface rotation: yes
    screen capture uses y-flip: yes
    presentation clock: CLOCK_MONOTONIC, id 1
    presentation clock resolution: 0.000000001 s
[14:38:00.359] Loading module '/usr/lib/weston/desktop-shell.so'
[14:38:00.367] launching '/usr/libexec/weston-keyboard'
[14:38:00.373] launching '/usr/libexec/weston-desktop-shell'
[14:39:23.341] event0 - Logitech USB Optical Mouse: is tagged by udev as: Mouse
[14:39:23.341] event0 - Logitech USB Optical Mouse: device is a pointer
[14:39:23.341] libinput: configuring device "Logitech USB Optical Mouse".
[14:39:23.342] associating input device event0 with output DP-1 (none by udev)
could not load cursor 'dnd-move'
could not load cursor 'dnd-copy'
could not load cursor 'dnd-none'
[14:39:33.459] event0 - Logitech USB Optical Mouse: device removed
[14:39:51.794] event0 - Dell Dell USB Keyboard: is tagged by udev as: Keyboard

```

```
[14:39:51.794] event0 - Dell Dell USB Keyboard: device is a keyboard
[14:39:51.859] libinput: configuring device "Dell Dell USB Keyboard".
[14:39:51.859] associating input device event0 with output DP-1 (none by udev)
[14:40:03.937] event0 - Dell Dell USB Keyboard: device removed
[14:40:11.758] event0 - Logitech USB Optical Mouse: is tagged by udev as: Mouse
[14:40:11.758] event0 - Logitech USB Optical Mouse: device is a pointer
[14:40:11.758] libinput: configuring device "Logitech USB Optical Mouse".
[14:40:11.758] associating input device event0 with output DP-1 (none by udev)
[14:40:19.403] event0 - Logitech USB Optical Mouse: device removed
[14:40:29.454] event0 - Dell Dell USB Keyboard: is tagged by udev as: Keyboard
[14:40:29.454] event0 - Dell Dell USB Keyboard: device is a keyboard
[14:40:29.454] libinput: configuring device "Dell Dell USB Keyboard".
[14:40:29.454] associating input device event0 with output DP-1 (none by udev)
[14:41:00.156] event0 - Dell Dell USB Keyboard: device removed

[14:42:29.287] event0 - Logitech USB Optical Mouse: is tagged by udev as: Mouse
[14:42:29.287] event0 - Logitech USB Optical Mouse: device is a pointer
[14:42:29.287] libinput: configuring device "Logitech USB Optical Mouse".
[14:42:29.287] associating input device event0 with output DP-1 (none by udev)
[14:42:35.418] event1 - Dell Dell USB Keyboard: is tagged by udev as: Keyboard
[14:42:35.419] event1 - Dell Dell USB Keyboard: device is a keyboard
[14:42:35.419] libinput: configuring device "Dell Dell USB Keyboard".
[14:42:35.419] associating input device event1 with output DP-1 (none by udev)
```

Below is the snapshot.



Figure 56. Weston demo

5.5.3 CSI Camera

NXP provides i.MX 8M Mini EVK board that have CSI MIPI and DSI MIPI interfaces. The `gststreamer` video stream captures video frame from CSI camera and displays it to screen via DSI MIPI interface. The element `waylandsink` is based on wayland library and Weston desktop. Refer to [Wayland and Weston](#) to enable them. Users should follow the steps below to enable `gststreamer` on a target board.

1. Software setting and configuration

`Gstream` is enabled by default.

2. Hardware setup

- For i.MX 8M Mini EVK boards, DSI MIPI and CSI MIPI modules are connected to the board.
- MIPI-DSI to HDMI interface:



Figure 57. MIPI-DSI to HDMI interface

3. MIPI-CSI camera module: The following figure shows the MIPI-CSI camera module:

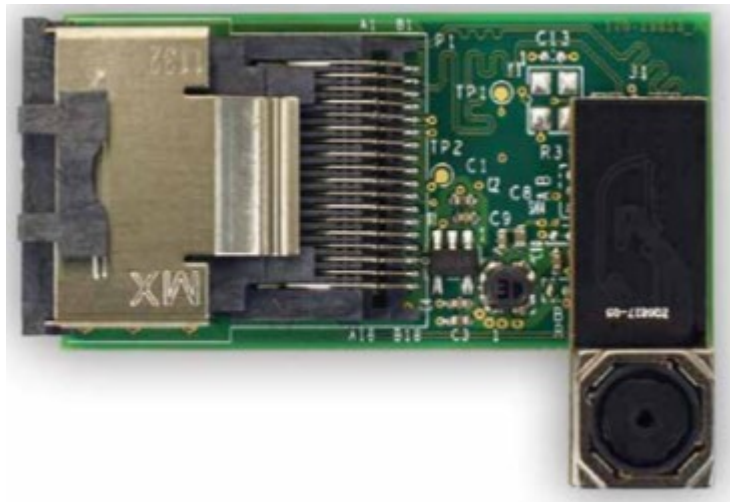


Figure 58. MIPI-CSI camera module

4. Run `gststreamer` for camera.

After entering Linux prompt, run `gststreamer` command as shown in the below steps:

```
[root@imx8mmevk ~] # gst-launch-1.0 v4l2src device= /dev/video0 ! 'video/x-raw,width=640,height=480,framerate=(fraction)30/1' ! videoconvert ! fbdevsink
```

Below is the snapshot with `fbdevsink`:

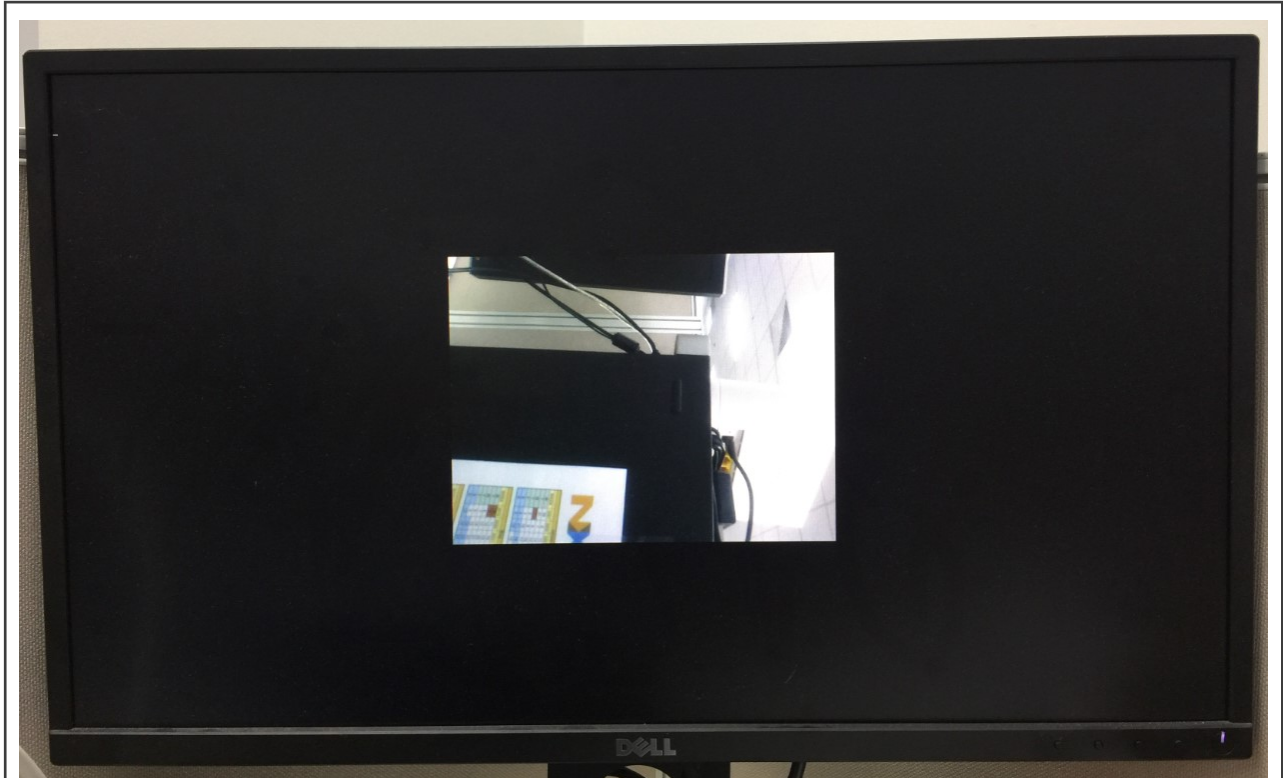


Figure 59. fbdevsink

5. Run `wayland` and `weston` for `waylandsink` using the commands shown below:

```
[root@imx8mmevk ~] # mkdir -p /run/user/0/  
[root@imx8mmevk ~] # export XDG_RUNTIME_DIR="/run/user/0/"  
[root@imx8mmevk ~] # weston --tty=1 &  
[root@imx8mmevk ~] # gst-launch-1.0 v4l2src device= /dev/video0 ! 'video/x-  
raw,width=640,height=480,framerate=(fraction)30/1' ! videoconvert ! waylandsink
```

The below snapshot shows `waylandsink` implementation:

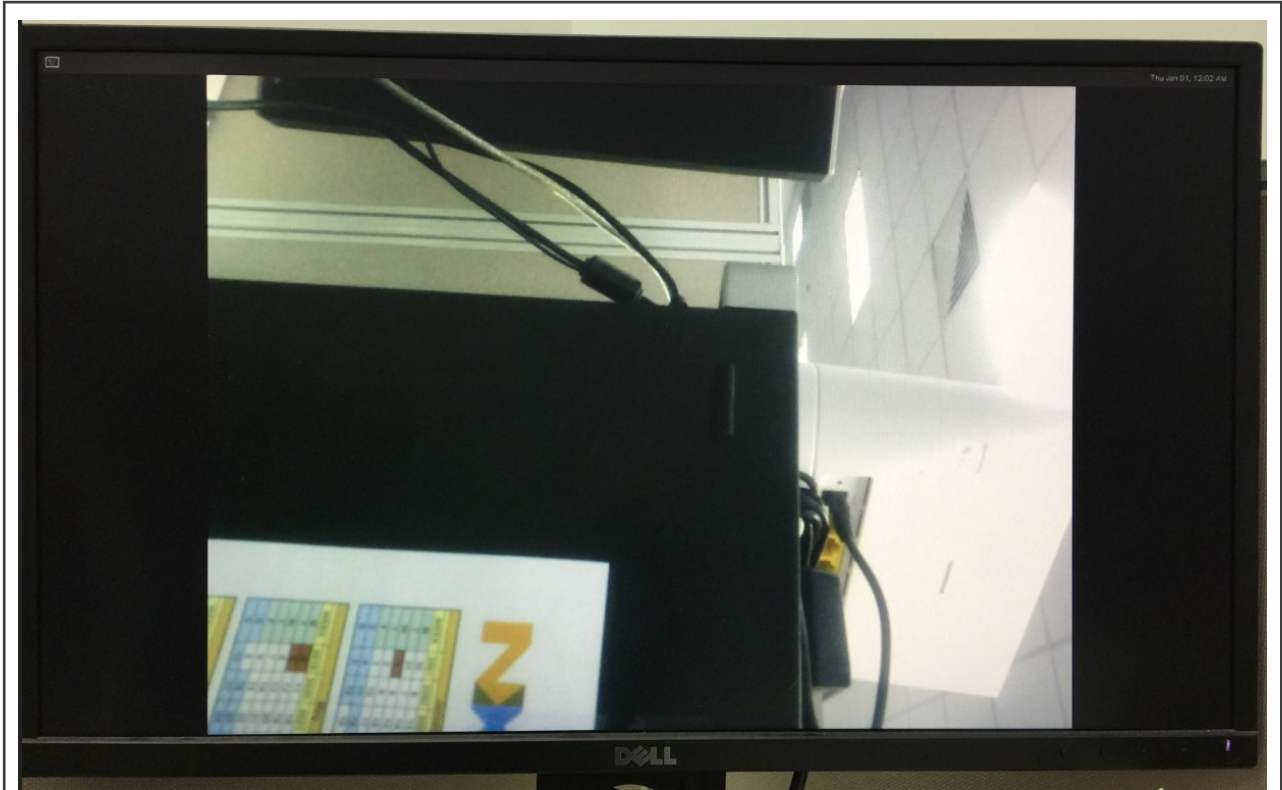


Figure 60. Waylandsink implementation

5.6 Wireless on LS1028A

5.6.1 NFC

NFC click board is a mikroBUS™ add-on board with a versatile near field communications controller from NXP — the [PN7120 IC](#). NFC devices are used in contactless payment systems, electronic ticketing, smartcards. In retail and advertising, inexpensive NFC tags can be embedded into packaging labels, flyers, or posters.

This board is fully compliant with NFC Forum specifications. This implies that users can use the full potential of NFC and its three distinct operating modes listed below:

1. Card emulation
2. Read/Write
3. P2P

5.6.1.1 Introduction

The NXP's PN7120 IC integrates an Arm™ Cortex-M0 MCU, which enables easier integration into designs, because it requires fewer resources from the host MCU. The integrated firmware provides all NFC protocols for performing the contactless communication in charge of the modulation, data processing, and error detection.

The board communicates with the target board MCU through the mikroBUS™ I2C interface, in compliance with NCI (NFC controller interface) 1.0 host protocols. RST and INT pins provide additional functionality. The board uses a 3.3 V power supply.

5.6.1.2 PN7120 features

PN7120 IC embeds a new generation RF contactless front-end, supporting various transmission modes according to NFCIP-1 and NFCIP-2, ISO/IEC14443, ISO/IEC 15693, ISO/IEC 18000-3, MIFARE, and FeliCa specifications. It embeds an Arm Cortex-M0 microcontroller core loaded with the integrated firmware supporting the NCI 1.0 host communication.

5.6.1.3 Hardware preparation

Use the following hardware items for the NFC clickboard demo setup:

1. LS1028ARDB
2. NFC click board
3. NFC sample card (tag)

NOTE

Users should insert the NFC click board into the LS1028ARDB mikroBUS1 slot.

5.6.1.4 Software preparation

In order to support NFC click board, use the following steps:

1. In Real-time Edge, libnfc-nci is enabled by default.
2. In Linux kernel configuration, make sure the below options are enabled:

```
[*] Networking support --->
    <M>  NFC subsystem support   --->
        Near Field Communication (NFC) devices --->
            <M> NXP PN5XX based driver
```

NOTE

The **NXP PN5XX based driver** only supports the Module mode.

3. Use the `make` command to create the images.

5.6.1.5 Testing the NFC click board

Use the following steps for testing the NFC Clickboard:

1. Install NFC driver module

```
[root]# modprobe pn5xx_i2c.ko
```

2. The following log appears at the console after the above command is successful. The error information can be ignored in this case.

```
[root@openIL:~]# insmod /lib/modules/4.14.47-ipipe/kernel/[ 195.547601] random: crng init
done
[ 195.551016] random: 5 urandom warning(s) missed due to ratelimiting
[root@openIL:~]# insmod /lib/modules/4.14.47-ipipe/kernel/drivers/misc/nxp-pn5xx
/pn5xx_i2c.ko
[ 777.503246] pn54x_dev_init
[ 777.506048] pn54x_probe
[ 777.508523] pn544 7-0028: FIRM GPIO <OPTIONAL> error getting from OF node
[ 777.515344] pn544 7-0028: CLKREQ GPIO <OPTIONAL> error getting from OF node
[ 777.522347] pn544 7-0028: 7-0028 supply nxp,pn54x-pvdd not found, using dummy regulator
[ 777.530424] pn544 7-0028: 7-0028 supply nxp,pn54x-vbat not found, using dummy regulator
[ 777.538490] pn544 7-0028: 7-0028 supply nxp,pn54x-pmuvcc not found, using dummy regulato
r
[ 777.546723] pn544 7-0028: 7-0028 supply nxp,pn54x-sevdd not found, using dummy regulator
```


3. Run the `nfcDemoApp` application:

```
[root]# nfcDemoApp poll
```

```
[root@openIL:~]# nfcDemoApp poll
#####
##                               NFC demo                               ##
#####
##                               Poll mode activated                       [ 1251.20807
1] pn54x_dev_open : 10,55
##
####[ 1251.212807] pn54x_dev_ioctl, cmd=1074063617, arg=1
#####[ 1251.219006] pn544_enable power on
#####
... press enter to quit ...

[ 1251.431597] pn54x_dev_ioctl, cmd=1074063617, arg=0
[ 1251.436416] pn544_disable power off
[ 1251.647586] pn54x_dev_ioctl, cmd=1074063617, arg=1
[ 1251.652401] pn544_enable power on
NfcHcpX:8103
NfcHcpR:8180
NfcHcpX:810103020304
NfcHcpR:8180
NfcHcpX:81010143da67663bda6766
NfcHcpR:8180
NfcHcpX:810204
NfcHcpR:818000
Waiting for a Tag/Device...
```

4. Put the NFC Sample Card (tag) on top of the NFC click board:

```
Waiting for a Tag/Device...

NFC Tag Found

Type :          'Type A - Mifare UL'
NFCID1 :        '04 67 66 D2 9C 39 81 '
Record Found :
                NDEF Content Max size :    '868 bytes'
                NDEF Actual Content size :   '29 bytes'
                ReadOnly :                  'FALSE'
Read NDEF URL Error

29 bytes of NDEF data received :
D1 01 19 55 01 6E 78 70 2E 63 6F 6D 2F 64 65 6D 6F 62 6F 61 72 64 2F 4F 4D
35 35 37 38

NFC Tag Lost

Waiting for a Tag/Device...
```

Display of the above information indicates successful card reading.

5.6.2 Bluetooth Low Energy

This chapter introduces the features of the Bluetooth Low Energy P click board and how to use it on NXP's LS1028A reference design board (RDB).

5.6.2.1 Introduction

Bluetooth Low Energy P click carries the nRF8001 IC that allows user to add Bluetooth 4.0 to user's device. The click communicates with the target board MCU through mikroBUS™ SPI (CS, SCK, MISO, MOSI), RDY and ACT lines, and runs on 3.3 V power supply.

Bluetooth Low Energy P click features a PCB trace antenna, designed for the 2400 MHz to 2483.5 MHz frequency band. The maximum device range is up to 40 meters in open space.

5.6.2.2 Bluetooth Low Energy

LS1028ARDB support Bluetooth Low Energy click board, Bluetooth Low Energy P click carries the nRF8001 IC that allows user to add Bluetooth 4.0 to the device.

5.6.2.3 Features

Following are the features provided by BLE P clickboard:

- nRF8001 Bluetooth low energy RF transceiver
 - 16 MHz crystal oscillator
 - Ultra-low peak current consumption <14 mA
 - Low current for connection-oriented profiles, typically 2 μ A
- PCB trace antenna (2400-2483.5 MHz, up to 40 meters)
- BLE Android app
- Interface: SPI (CS, SCK, MISO, MOSI), RDY, and ACT lines
- 3.3 V power supply

5.6.2.4 Hardware preparation

Use the following hardware items for the BLE P click board demo setup:

1. LS1028ARDB
2. BLE P Click board
3. Android phone (option)

The figure below depicts the hardware setup required for the demo:

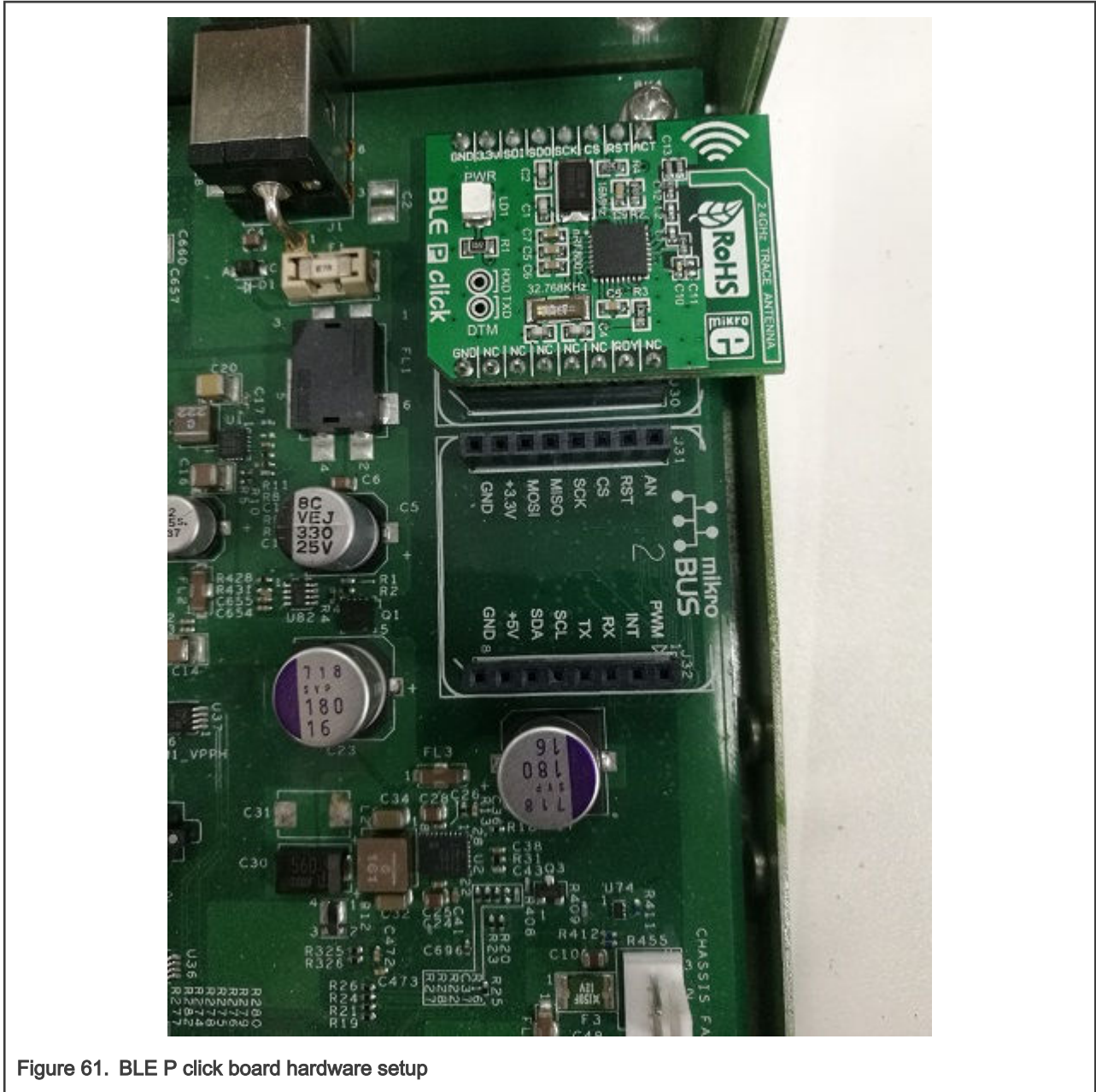


Figure 61. BLE P click board hardware setup

5.6.2.5 Software preparation

Use these steps for the BLE P click board demo software setup:

- Download the JUMA UART (Android app) by using the link: <https://apkpure.com/juma-uart/com.juma.UART>
- Then, run the steps below in order to support BLE P click board:
 1. In Real-time Edge, libblep is enabled by default.
 2. In Linux kernel configuration, make sure the below options are enabled:

```
Device Drivers --->
  SPI support --->
    <*> Freescale DSPI controller
    <*> User mode SPI device driver support
```

3. Use the `make` command to create the images.

5.6.2.6 Testing the BLE P click board

Use the following steps for testing the BLE P click board:

1. **Running the `blep_demo` application.**

The following log is displayed to indicate that the BLE P click board is initialized. After this, users can scan from their mobile phone or computer's Bluetooth device for the BLE P click board. The name of the BLE P click board used is "MikroE".

```

root@OpenIL-Ubuntu:~# blep_demo
spi mode: 0x0
bits per word: 8
max speed: 500000 Hz (500 KHz)
Please input a command!
  Event device started: Setup
Error:no
Start setup command
.....
Setup complete
  Event device started: Standby
  Advertising started : Tap Connect on the nRF UART app
Error:no
Send broadcast command successfully

```

2. **Connection log**

Connect the BLE P click board via mobile app. On successful connection, the following log is displayed. Thereafter, the application can communicate with the BLE P click board.

```

Evt Connected
Evt Pipe Status
Evt link connection interval changed
ConnectionInterval:0x0006
SlaveLatency:0x0000
SupervisionTimeout:0x01F4
Evt Pipe Status
Evt link connection interval changed
ConnectionInterval:0x0027
SlaveLatency:0x0000
SupervisionTimeout:0x01F4

```

3. **Disconnection log**

Click the **Disconnect** button of the Android APP to disconnect from the BLE P click board. The following log displays that the disconnection is successful:

```

Evt Disconnected
Advertising started : Tap Connect on the nRF UART app Send broadcast command successfully

```

4. **Command line introduction**

The `blep_demo` application supports four command lines: `devaddr`, `name=`, `version`, and `echo`.

a. `devaddr`

This command is used to obtain the MAC address of the BLE P click board. User can run this command at any time.

```
devaddr
Please input a command!
Device address:DC:E2:6C:17:07:45
```

b. `name=`

This command is used to set the Bluetooth name of the BLE P click board while broadcasting. No spaces are required after the equal sign "=", and the content after the 'equal to' sign is the set name. The maximum length is 16 characters.

```
name=ble_demo
Name set. New name: ble_demo, 8
Please input a command!
Unknow event:0x00
Set local data successfully
```

c. `version`

This command is used to obtain the version of the BLE P click board. User can run this command at any time.

```
version
Please input a command!
Unknow event:0x00
Device version
Configuration ID:0x41
ACI protocol version:2
Current setup format:3
Setup ID:0x00
Configuration status:open(VM)
```

d. `echo`

This command is used to send a string to the Android app. This command should be executed after the connection is established. The maximum length is 20 characters.

The below log displays the message displayed after user tries to send a string when no connection is established:

```
echo hi
Please input a command!
Unknow event:0x00
ACI Evt Pipe Error: Pipe #9
Pipe Error Code: 0x83
Pipe Error Data: 0x00
Please connect the device before sending data
```

The below log is displayed when user sends a string after a connection is established:

```
echo hello,world!  
Please input a command!  
Unknow event:0x00  
The number of data command buffer is 1
```

5. Receiving data

When the Android app sends a string:

```
DataReceivedEvent: hi.yugxdr
```

5.6.3 BEE

This chapter introduces the features of the BEE Click Board and how to use it on LS1028ARDB.

5.6.3.1 BEE/ZigBEE

LS1028ARDB supports BEE click board, which can implement the MRF24J40MA 2.4 GHz IEEE 802.15.4 radio transceiver module from Microchip.

5.6.3.2 Introduction

The BEE Click Board features the MRF24J40MA 2.4 GHz IEEE 802.15.4 radio transceiver module from Microchip. The click is designed to run on 3.3 V power supply only. It communicates with the target controller over an SPI interface.

5.6.3.3 Features

The features of the BEE Click Board are listed below:

- PCB antenna
- MRF24J40MA module
- Low current consumption (TX 23 mA, RX 19 mA, Sleep 2 μ A)
- ZigBee stack
- MiWi™ stack
- SPI Interface
- 3.3 V power supply

5.6.3.4 Hardware preparation

Use the following hardware items for the BEE Click Board demo setup:

- Two LS1028ARDB Boards
- Two BEE Click Boards

The figure below describes the hardware setup for the BEE Click Board.

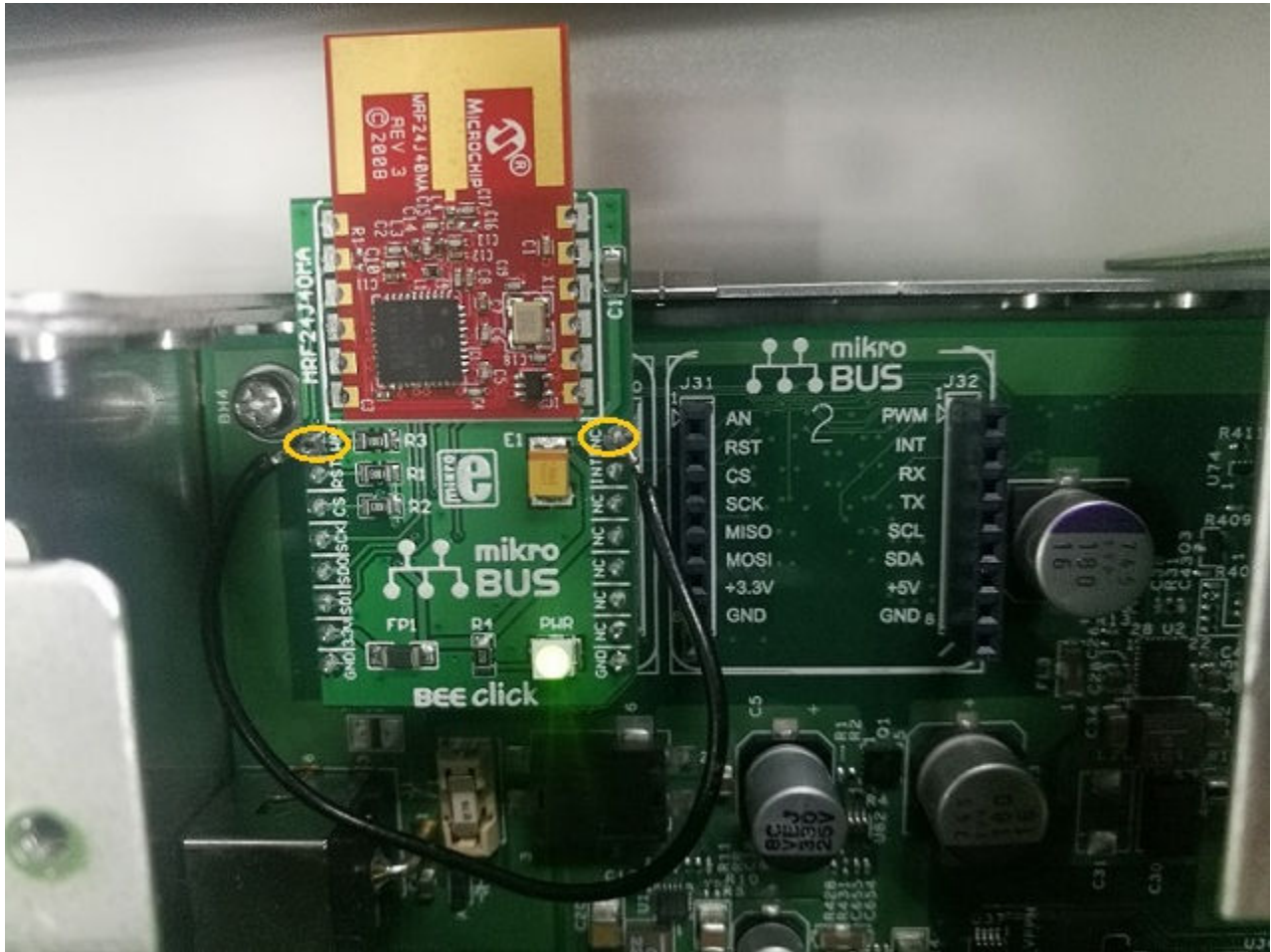


Figure 62. BEE Click Board hardware setup

NOTE

The WA pin of BEE Click Board connects with the NC pin.

5.6.3.5 Software preparation

In order to support BEE click board, use the following steps:

1. In Real-time Edge, libbee is enabled by default.
2. In Linux kernel configuration, make sure the below options are enabled:

```
Device Drivers --->
SPI support --->
  <*> Freescale DSPI controller
  <*> User mode SPI device driver support
*- GPIO Support --->
  [*] /sys/class/gpio/... (sysfs interface)
Memory mapped GPIO drivers --->
  [*] MPC512x/MPC8xxx/QorIQ GPIO support
```

3. Use the `make` command to create the images.

5.6.3.6 Testing the BEE click board

The test application `bee_demo` is created by using the BEE Click Board library. This application can transfer the file between two BEE Click Boards.

1. Users should create a file in any path. For example, `./samples/test.txt`.
2. First, start a server node by running the command below:

```
bee_demo -s -f=XXX
```

The command parameters are as below:

- **-s:** This device node acts as a server.
- **-f=XXX:** This parameter is valid only on the server node. XXX is the file path (relative or absolute) to be transferred.

```
[root]# ls
samples
[root]# bee_demo -s -f=./samples/test.txt
spi mode: 0x0
bits per word: 8
max speed: 500000 Hz (500 KHz)
BEE Click Board Demo.
This node is a server node.
Waiting for a client
Reading the content of the file
```

3. Start a client node on another LS1028ARDB by running the command `bee_demo -c`. In the above command, the parameter `-c` implies that this device node acts as a client. After receiving the file, the client node automatically exits. The received file is saved in the current path.

```
[root]# ls
samples
[root]# bee_demo -c
spi mode: 0x0
bits per word: 8
max speed: 500000 Hz (500 KHz)
BEE Click Board Demo.
This node is a client node.
Starting to get a file
Send the SEQ_REQ command.
Send the SEQ_START command.
Send the SEQ_START command.

[root]# ls
samples test.txt
[root]#
```

4. The following log indicates that the server node has finished sending a file.

```
Send the SEQ_INFO command.
Start to send the file
It's completed to send a file.
```


Chapter 6

Revision history

The table below summarizes revisions to this document.

Table 62. Document revision history

Date	Document version	Topic cross-reference	Change description
29/07/2021	2.0	-	<ul style="list-style-type: none"> 'Real-time Edge Processing Software' introduced instead of 'Open Industrial Linux', with real-time feature support. Rearranged the document structure to include the Chapters: Real-time System, Real-time Networking, and Protocols.
		-	Added support for building Real-time Edge image using Yocto Project build environment. Details are provided in the <i>Real-time Edge Yocto Project User Guide</i> .
		What's new	Added the section.
		-	Integrated BareMetal framework in the document.
26/04/2021	1.11	What's new	Added the section that describes the new features of each release.
		-	Updated the section 'Getting Open IL'.
		-	Deleted references to Edgescale, OP-TEE, OTA throughout the document and other minor updates.
22/12/2020	1.10	GenAVB/TSN stack	Added the chapter and related contents.
		-	Added the 'Camera' section and related details.
		-	Added the Host setup for i.MX 8M Plus EVK board details.
15/09/2020	1.9	IEEE 1588/802.1AS	Added the section.
		GPU	Added the chapter and related description.
		Wayland and Weston	Added the chapter and related description..
		real-time-edge-servo stack	Made it a part of the chapter "EtherCAT".
29/05/2020	1.8	Preempt-RT Linux	Added the section in Protocols .
		-	Updated this section Interface naming in Linux for LS1028ARDB.
		-	Updated the section Host system requirements for Open IL.
		-	Updated the section Running Selinux demo.
20/02/20	1.7.1	Operation examples	Updated this section.
17/01/20	1.7	real-time-edge-servo stack	Added the chapter (nxp servo).
		IEEE 1588/802.1AS	Added the chapter
		Getting Open IL	Updated the section.

Table continues on the next page...

Table 62. Document revision history (continued)

Date	Document version	Topic cross-reference	Change description
		NETCONF/YANG	Other updates.
31/08/19	1.6	TSN on LS1028A	<ul style="list-style-type: none"> Information related to pcpmap command removed from the section TSN configuration on ENETC and TSN configuration on Felix switch. Port names "eno/swp0" changed to "swp0" for few tsntool commands. Note added in section Stream identification for usage of <code>nulltagged</code> and <code>streamhandle</code> parameters. Added the section TSN stream identification. Other minor updates.
		-	Updated the table "Host system mandatory packages". Added <code>autogen</code> <code>autoconf</code> <code>libtool</code> and <code>pkg-config</code> packages.
		BEE	Added this Chapter.
		-	Updated NETCONF/YANG .
		NETCONF/YANG	<ul style="list-style-type: none"> Added the section Enabling NETCONF feature and other updates.
01/05/2019	1.5	-	Added the section to describe interface naming for U-Boot and Linux for LS1028ARDB.
		TSN on LS1028A	Updated this section in the Chapter Time Sensitive Networking (TSN) on NXP platforms .
		Bluetooth Low Energy	Added the Chapter.
		-	Added the Chapter 'EdgeScale Client'.
		-	Updated the OpenIL version and Git tag in the section 'Getting Open IL'.
01/02/2019	1.4	Supported NXP platforms	Added support for LS1028ARDB (64-bit and Ubuntu). Updated various sections accordingly.
		-	Updated the OpenIL version and Git tag in the section 'Getting Open IL'.
		-	Added this Section for LS1028ARDB support.
		Time Sensitive Networking (TSN) on NXP platforms	Reorganized this Chapter and added separate Section for TSN on LS1028A .
		NFC	Added the Chapter.
		FlexCAN and CAN Open	Minor updates in this Chapter. Also added the section, Hardware preparation for LS1028ARDB and Testing CAN bus .
		-	Added the Chapter QT.

Table continues on the next page...

Table 62. Document revision history (continued)

Date	Document version	Topic cross-reference	Change description
15/10/2018	1.3.1	-	Updated the OpenIL version and Git tag in the section 'Getting Open IL'.
31/08/2018	1.3	EtherCAT	Added the chapter.
		FlexCAN	Added the chapter.
		i.MX6QSabreSD support.	Added the section in chapter NXP OpenIL platforms . Updated other sections for i.MX6Q Sabre support.
		Getting Open IL	Updated the section.
		Selinux demo	Added the section, #unique_362 and updated Basic setup . Updates in other sections.
31/05/2018	1.2	-	Updated the Section, "Hardware requirements" for RTnet.
		-	Updated the Section, "Software requirements" for RTnet.
18/04/2018	1.1.1	-	Added the Section, "RTnet".
		-	Added a note for LS1043A switch setting.
30/03/2018	1.1	-	Added support for industrial IoT BareMetal framework in this section.
		-	Added a note for steps to be performed before booting up the board.
		Related documentation	Added the section.
22/12/2017	1.0	OPC UA	Added the Chapter.
		Time Sensitive Networking (TSN) on NXP platforms	Chapters for "1-board TSN demo" and "3-board TSN demo" replaced by a single chapter, "TSN demo".
		Protocols	<ul style="list-style-type: none"> Updated the section, 'Industrial Features'. -IEEE 1588 -'sja1105-ptp' support removed.
25/08/2017	0.3	-	Set up the OpenIL website http://www.openil.org/ .
		-	OTA - Xenomai Cobalt 64-bit and SJA1105 support added.
		Time Sensitive Networking (TSN) on NXP platforms	Qbv support added.
		-	SELinux support for LS1043 / LS1046 Ubuntu Userland added.
		-	OP-TEE support for LS1021ATSN platform added.
		-	4G LTE module - 64-bit support for LS1043ARDB, LS1046ARDB, and LS1012ARDB added.
		Real-time Networking	Ubuntu Userland support for 64-bit LS1043ARDB and 64-bit LS1046ARDB added.
26/05/2017	0.2	-	Initial public release.

How To Reach Us

Home Page:

nxp.com

Web Support:

nxp.com/support

Limited warranty and liability — Information in this document is provided solely to enable system and software implementers to use NXP products. There are no express or implied copyright licenses granted hereunder to design or fabricate any integrated circuits based on the information in this document. NXP reserves the right to make changes without further notice to any products herein.

NXP makes no warranty, representation, or guarantee regarding the suitability of its products for any particular purpose, nor does NXP assume any liability arising out of the application or use of any product or circuit, and specifically disclaims any and all liability, including without limitation consequential or incidental damages. "Typical" parameters that may be provided in NXP data sheets and/or specifications can and do vary in different applications, and actual performance may vary over time. All operating parameters, including "typicals," must be validated for each customer application by customer's technical experts. NXP does not convey any license under its patent rights nor the rights of others. NXP sells products pursuant to standard terms and conditions of sale, which can be found at the following address: nxp.com/SalesTermsandConditions.

Right to make changes - NXP Semiconductors reserves the right to make changes to information published in this document, including without limitation specifications and product descriptions, at any time and without notice. This document supersedes and replaces all information supplied prior to the publication hereof.

Security — Customer understands that all NXP products may be subject to unidentified or documented vulnerabilities. Customer is responsible for the design and operation of its applications and products throughout their lifecycles to reduce the effect of these vulnerabilities on customer's applications and products. Customer's responsibility also extends to other open and/or proprietary technologies supported by NXP products for use in customer's applications. NXP accepts no liability for any vulnerability. Customer should regularly check security updates from NXP and follow up appropriately. Customer shall select products with security features that best meet rules, regulations, and standards of the intended application and make the ultimate design decisions regarding its products and is solely responsible for compliance with all legal, regulatory, and security related requirements concerning its products, regardless of any information or support that may be provided by NXP. NXP has a Product Security Incident Response Team (PSIRT) (reachable at PSIRT@nxp.com) that manages the investigation, reporting, and solution release to security vulnerabilities of NXP products.

NXP, the NXP logo, NXP SECURE CONNECTIONS FOR A SMARTER WORLD, COOLFLUX, EMBRACE, GREENCHIP, HITAG, ICODE, JCOP, LIFE, VIBES, MIFARE, MIFARE CLASSIC, MIFARE DESFire, MIFARE PLUS, MIFARE FLEX, MANTIS, MIFARE ULTRALIGHT, MIFARE4MOBILE, MIGLO, NTAG, ROADLINK, SMARTLX, SMARTMX, STARPLUG, TOPFET, TRENCHMOS, UCODE, Freescale, the Freescale logo, AltiVec, CodeWarrior, ColdFire, ColdFire+, the Energy Efficient Solutions logo, Kinetis, Layerscape, MagniV, mobileGT, PEG, PowerQUICC, Processor Expert, QorIQ, QorIQ Qonverge, SafeAssure, the SafeAssure logo, StarCore, Symphony, VortiQa, Vybrid, Airfast, BeeKit, BeeStack, CoreNet, Flexis, MXC, Platform in a Package, QUICC Engine, Tower, TurboLink, EdgeScale, EdgeLock, eIQ, and Immersive3D are trademarks of NXP B.V. All other product or service names are the property of their respective owners. AMBA, Arm, Arm7, Arm7TDMI, Arm9, Arm11, Artisan, big.LITTLE, Cordio, CoreLink, CoreSight, Cortex, DesignStart, DynamIQ, Jazelle, Keil, Mali, Mbed, Mbed Enabled, NEON, POP, RealView, SecurCore, Socrates, Thumb, TrustZone, ULINK, ULINK2, ULINK-ME, ULINK-PLUS, ULINKpro, µVision, Versatile are trademarks or registered trademarks of Arm Limited (or its subsidiaries) in the US and/or elsewhere. The related technology may be protected by any or all of patents, copyrights, designs and trade secrets. All rights reserved. Oracle and Java are registered trademarks of Oracle and/or its affiliates. The Power Architecture and Power.org word marks and the Power and Power.org logos and related marks are trademarks and service marks licensed by Power.org. M, M Mobileye and other Mobileye trademarks or logos appearing herein are trademarks of Mobileye Vision Technologies Ltd. in the United States, the EU and/or other jurisdictions.

© NXP B.V. 2021.

All rights reserved.

For more information, please visit: <http://www.nxp.com>

For sales office addresses, please send an email to: salesaddresses@nxp.com

Date of release: 29-Jul-2021

Document identifier: REALTIMEEDGEUG

