



Count on it.

Parts Catalog

22in Recycler[®] Lawn Mower

Model No. 20333—Serial No. 31000001 and Up

Ordering Replacement Parts

To order replacement parts, please supply the part number, the quantity, and the description of each part desired.

Understanding Reference Numbers

Each identified part in an illustration has a reference number. The reference number for a part also appears in the parts list, along with other information about the part.

This catalog uses two special reference number formats, one to indicate parts in a service assembly and another to indicate the quantity of a given part in an illustration.

Service Assembly Reference Numbers

Parts in service assemblies have reference numbers in the form a:b. The a represents the reference number of the entire service assembly and the b represents a sequential number unique to each part within the service assembly.

For example, a wheel assembly might be identified by reference number 6, the tire by 6:1, the valve by 6:2, and the wheel by 6:3. When you order the assembly identified by reference number 6, you receive all parts identified by reference numbers 6:1, 6:2, and 6:3. However, you may also order any part individually. Reference numbers of this type appear in illustration and in parts lists.

Reference Numbers Indicating Quantity

In an illustration, if a reference number indicates more than one part, the reference number has the form nX y. The n represents the quantity of the part, the X is the multiplication symbol, and the y represents the reference number.

For example, in an illustration, the reference number 2X 37 means that two of the parts identified by reference number 37 are indicated.

List of Abbreviations

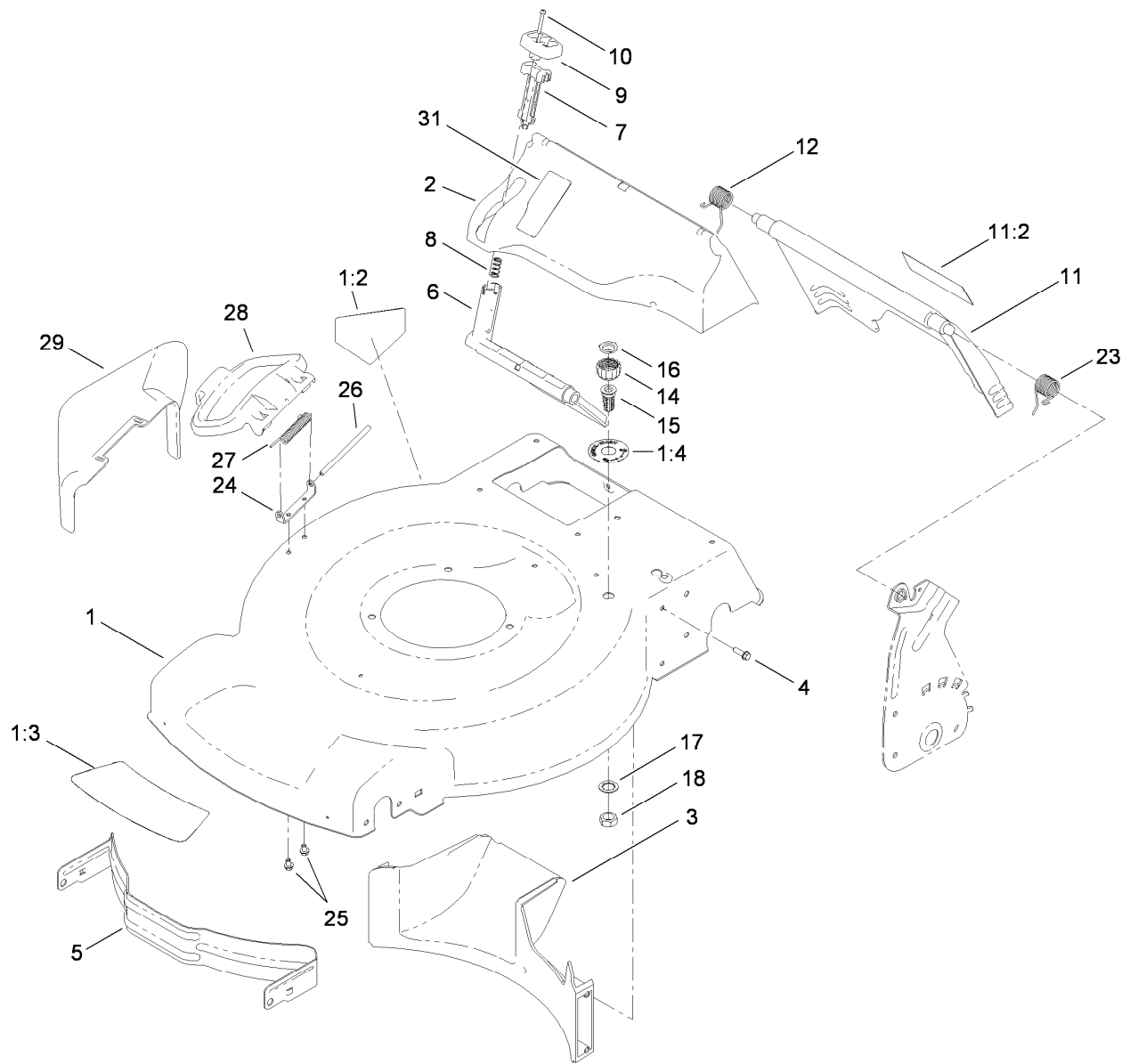
AR: as required
ASM: assembly
BBC: blade brake clutch
CARR: carriage
CCW: counter clock wise
CW: clockwise
DEG: degrees
ECM: electronic control module
EXT: external
FH: flat head
GA: gauge
HD: heavy-duty
HF: hex flange
HH: hex head
HHF: hex head flange
HHFTF: hex head flange thread forming
HJ: hex jam
HLH: hex lag head
HOC: height-of-cut

HSBH: hex socket button head
HSFH: hex socket flat head
HSH: hex socket head
HWH: hex washer head
HWHTF: hex washer head thread forming
HYD: hydraulic
LH: left hand
NI: nylon insert
NPTF: national pipe thread fine
PFH: phillips flat head
PPH: phillips pan head
PPHTF: phillips pan head thread forming
PRH: phillips round head
PTH: phillips truss head
PTO: power-take-off
RH: right hand
ROPS: roll-over protection system
RRB: rear roller brush

SFH: slotted fillister head
SHH: slotted hex head
SHWH: slotted hex washer head
SPH: slotted pan head
SQH: square head
SRH: slotted round head
STD: standard
TAP: self tapping
TTH: torx truss head

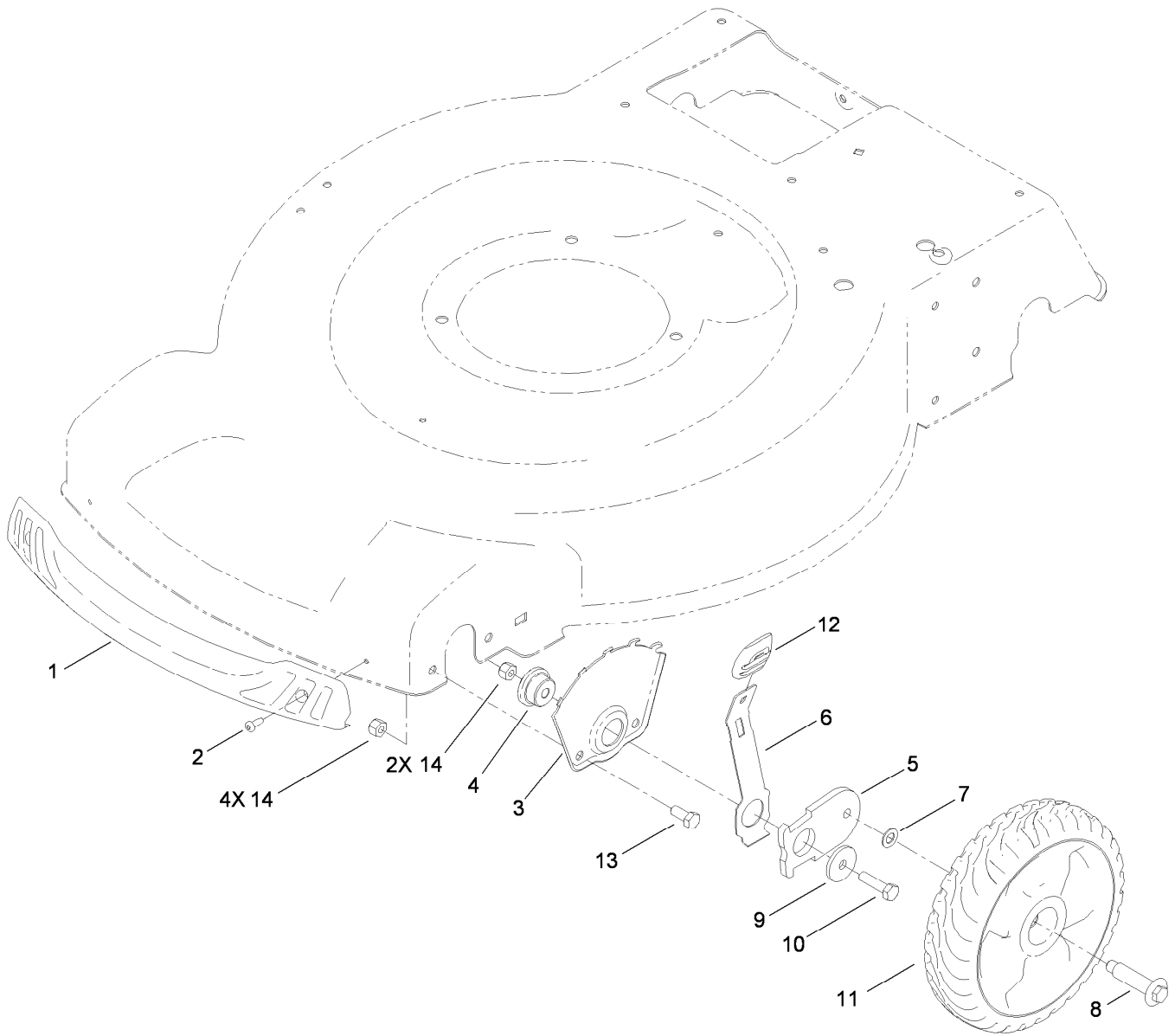
Contents

Housing and Rear Door Assembly	4
Front Wheel and Height-of-Cut Assembly	5
Transmission and Rear Wheel Drive Assembly	6
Engine, Blade, Brake and Clutch Assembly	7
Upper Handle Assembly	8
Handle Component Assembly	9
Rear Bag Assembly	10
Attachments and Accessories	11



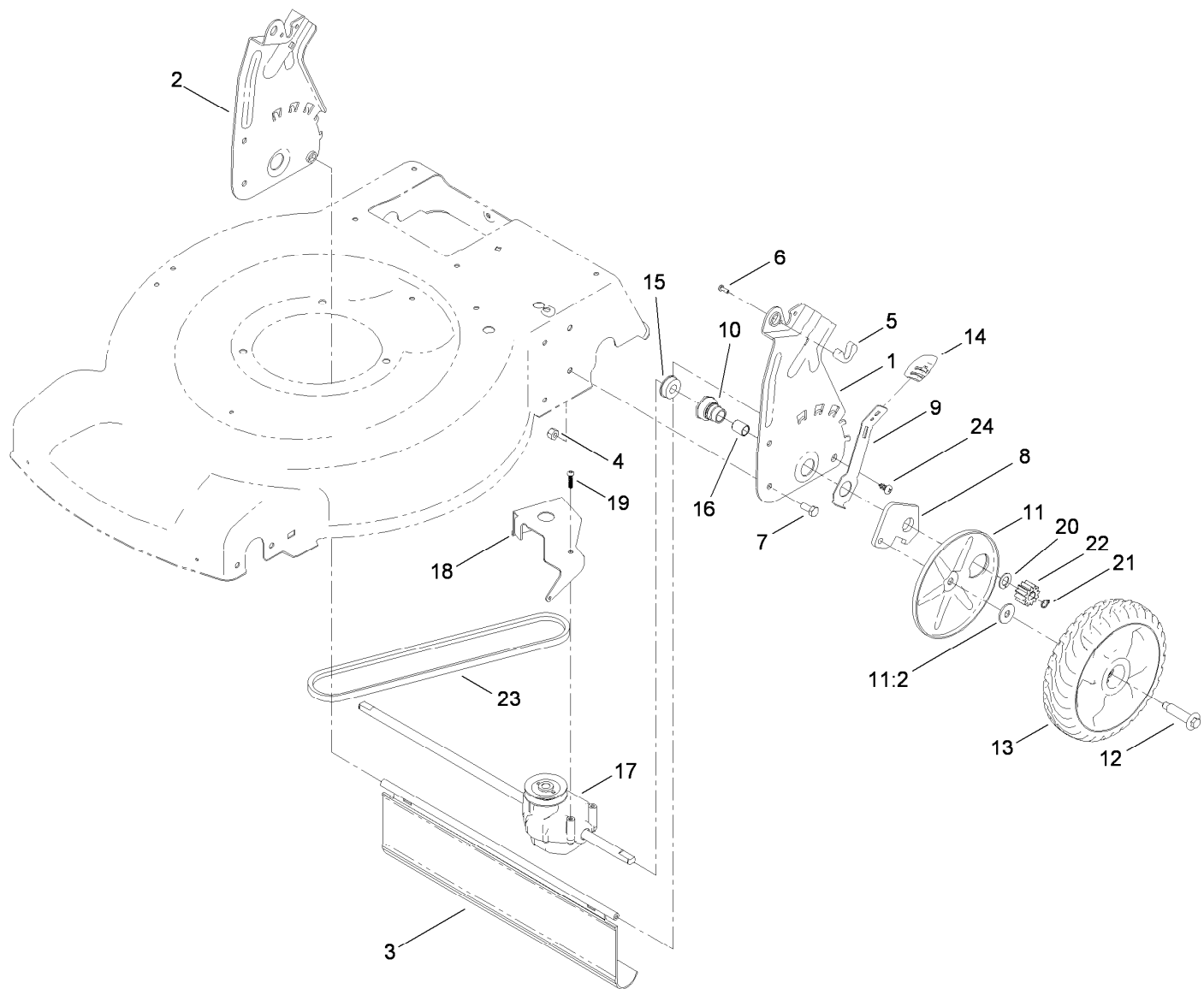
Housing and Rear Door Assembly

<i>Ref.</i>	<i>Part Number</i>	<i>Qty.</i>	<i>Description</i>	<i>Ref.</i>	<i>Part Number</i>	<i>Qty.</i>	<i>Description</i>
1	117-1084	1	Housing ASM	12	114-7924	1	Spring-Torsion
1:2	94-8072	1	Decal-Danger	14	112-6401	1	Coupling-Hose, Washout Port
1:3	115-4676	1	Decal-Recycler	15	112-6400	1	Port-Washout
1:4	112-8867	1	Decal-Port, Washout	16	112-6438	1	Washer-Seal, Washout Port
2	115-4677	1	Chute-Recycle	17	3254-5	1	Washer-Tooth, Internal
3	114-7961	1	Baffle-Rear	18	3218-6	1	Nut-Jam
4	46-8091	9	Screw-HWH	23	115-2859	1	Spring-Torsion
5	114-7963-01	1	Baffle-Front	24	112-6416	1	Bracket-Cover
6	114-7960	1	Deflector-Recycle	25	99-8445	2	Screw-HWH
7	114-7959	1	Latch-Recycle	26	99-5291	1	Rod-Cover
8	117-1031	1	Spring-Compression	27	99-5293	1	Spring-Torsion
9	114-7958	1	Knob-Recycle	28	115-8449	1	Deflector-Side
10	32104-120	2	Screw-PPH	29	115-8447	1	Chute-Discharge, Side
11	114-7992	1	Rear Door ASM	31	117-5928	1	Decal-Bag On Demand
11:2	114-7982	1	Decal-Warning				



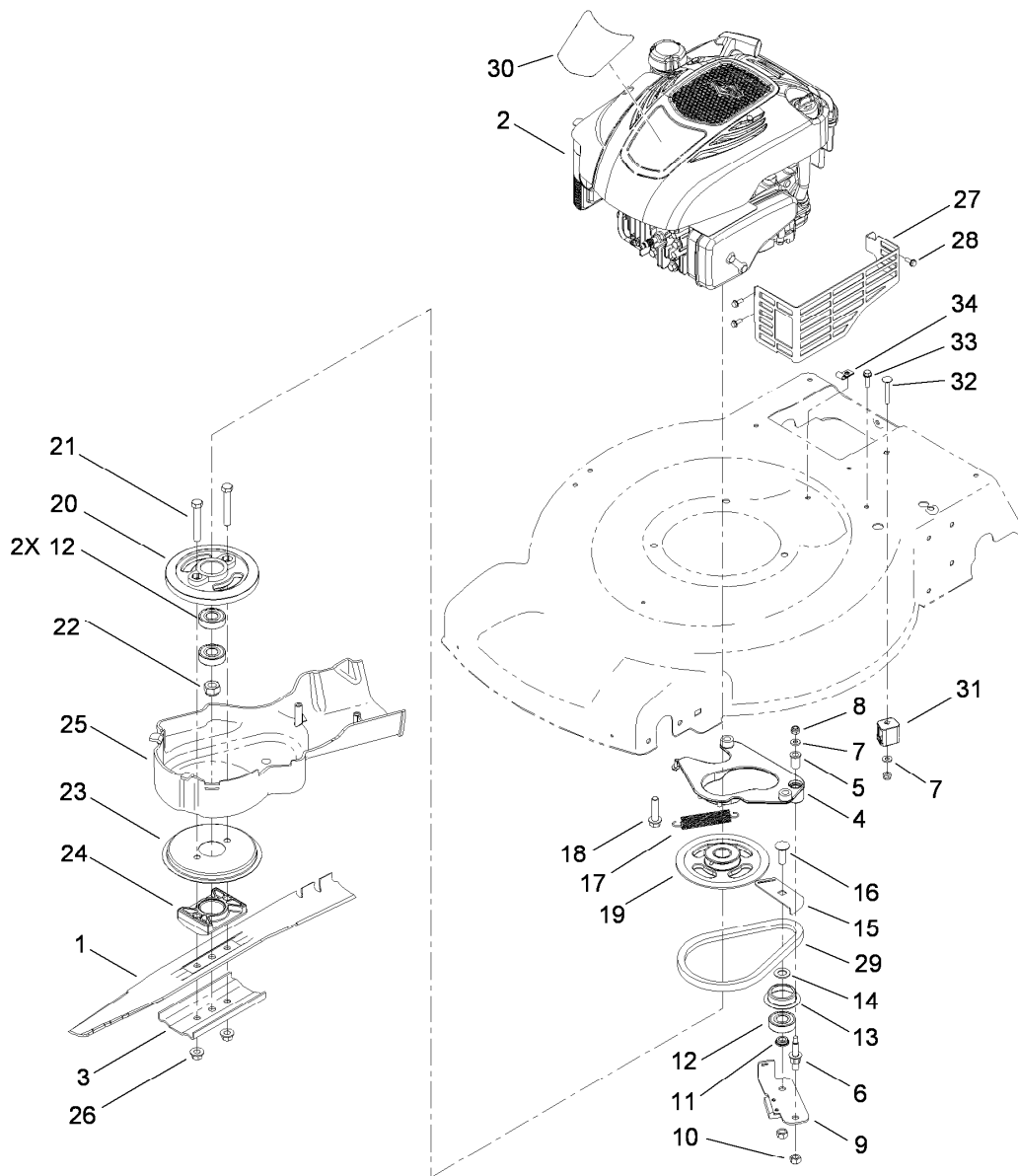
Front Wheel and Height-of-Cut Assembly

Ref.	Part Number	Qty.	Description
1	114-7987	1	Bumper
2	105-6849	2	Screw-Thread Forming
3	115-1956-03	2	Plate-HOC, Front
4	105-1818	2	Bushing-Mount, HOC
5	105-1807	2	Arm-Pivot, Front
6	105-1809	2	Arm-Spring
7	40-1940	2	Washer
8	614650	2	Bolt-Shoulder
9	105-3048	2	Washer-Flat
10	322-6	2	Screw-HH
11	115-2894	2	8 Inch Wheel ASM
12	105-3042	2	Knob-Lever, HOC
13	322-3	4	Screw-HH
14	3296-29	6	Nut-Lock, NI



Transmission and Rear Wheel Drive Assembly

Ref.	Part Number	Qty.	Description	Ref.	Part Number	Qty.	Description
1	114-7955-03	1	Plate-LH, Rear (HOC)	13	115-4695	2	8 Inch Wheel Gear ASM
2	114-7956-03	1	Plate-RH, Rear (HOC)	14	105-3042	2	Knob-Lever, HOC
3	115-2893	1	Shield-Trailing	15	104-8699	2	Bearing-Ball
4	3296-29	4	Nut-Lock, NI	16	108-9782	2	Bushing-Sleeve
5	115-8406	2	Anchor-Bag	17	115-4652	1	Transmission (4.5/1)
6	105-9437	2	Screw-PPH	18	114-7977-03	1	Bracket-Transmission
7	322-3	4	Screw-HH	19	108-7476	3	Screw-Plastite
8	108-9781	2	Arm-Pivot, Rear	20	110-7191	2	Washer-Thrust
9	108-9780	2	Arm-Spring	21	32151-61	2	Ring-Retaining
10	108-9779	2	Retainer-Bushing, HOC	22	115-4668	2	Gear-Pinion, 12T
11	110-1792	2	Wheel Cover ASM	23	115-4669	1	Belt-V
11:2	614426	1	Washer-Stepped	24	117-1092	2	Screw-PTH
12	614650	2	Bolt-Shoulder				

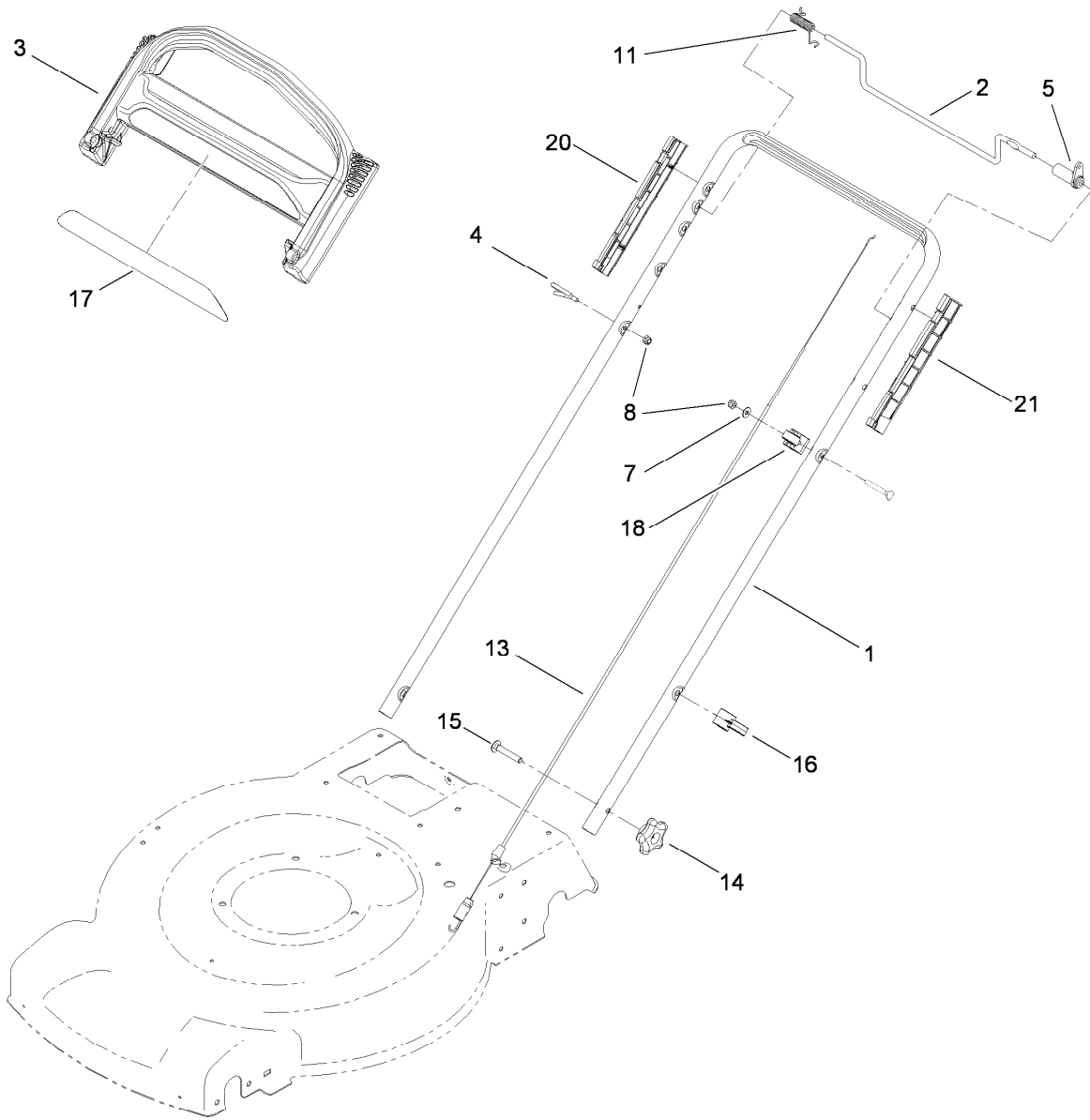


Engine, Blade, Brake and Clutch Assembly

Ref.	Part Number	Qty.	Description	Ref.	Part Number	Qty.	Description
1	108-9764-03	1	Blade-22 Inch	18	32144-102	3	Screw-HWH
2		1	Engine-Briggs, 128T02-3256-B1 ●■	19	117-5970	1	Pulley-BBC
3	108-3766-03	1	Support-Blade	20	107-0754	1	Drum
4	108-9341	1	Plate-Anchor	21	3211-42	2	Screw-HH
5	107-0797	1	Bushing	22	108-9342	1	Nut-Hex
6	107-0759	1	Bolt-Shoulder	23	108-3787	1	Disc
7	3256-16	2	Washer-Flat	24	107-7487	1	Support-Blade
8	3296-73	2	Nut-Lock, NI	25	115-2892	1	Cover-BBC
9	107-7477	1	Brake Arm ASM	26	54-9190	2	Nut-Lock
10	603773	2	Nut	27	104-7577-03	1	Shield-Muffler
11	107-0758	1	Spacer-Bearing	28	32144-1	3	Screw-Taptite
12	100-1048	3	Bearing-Ball	29	110-1790	1	Belt-BBC
13	108-3790	1	Retainer-Belt	30	119-0302	1	Decal-Shroud
14	605256	1	Washer	31	106-6801	1	Anchor-Cable, BBC
15	107-7471	1	Plate-Guide	32	3229-5	1	Screw-CARR
16	3231-25	1	Screw-CARR	33	46-8091	2	Screw-HWH
17	108-3792	1	Spring-Tension, Brake	34	2412-72	1	Clip-Closed, Insulated

● Not serviced separately

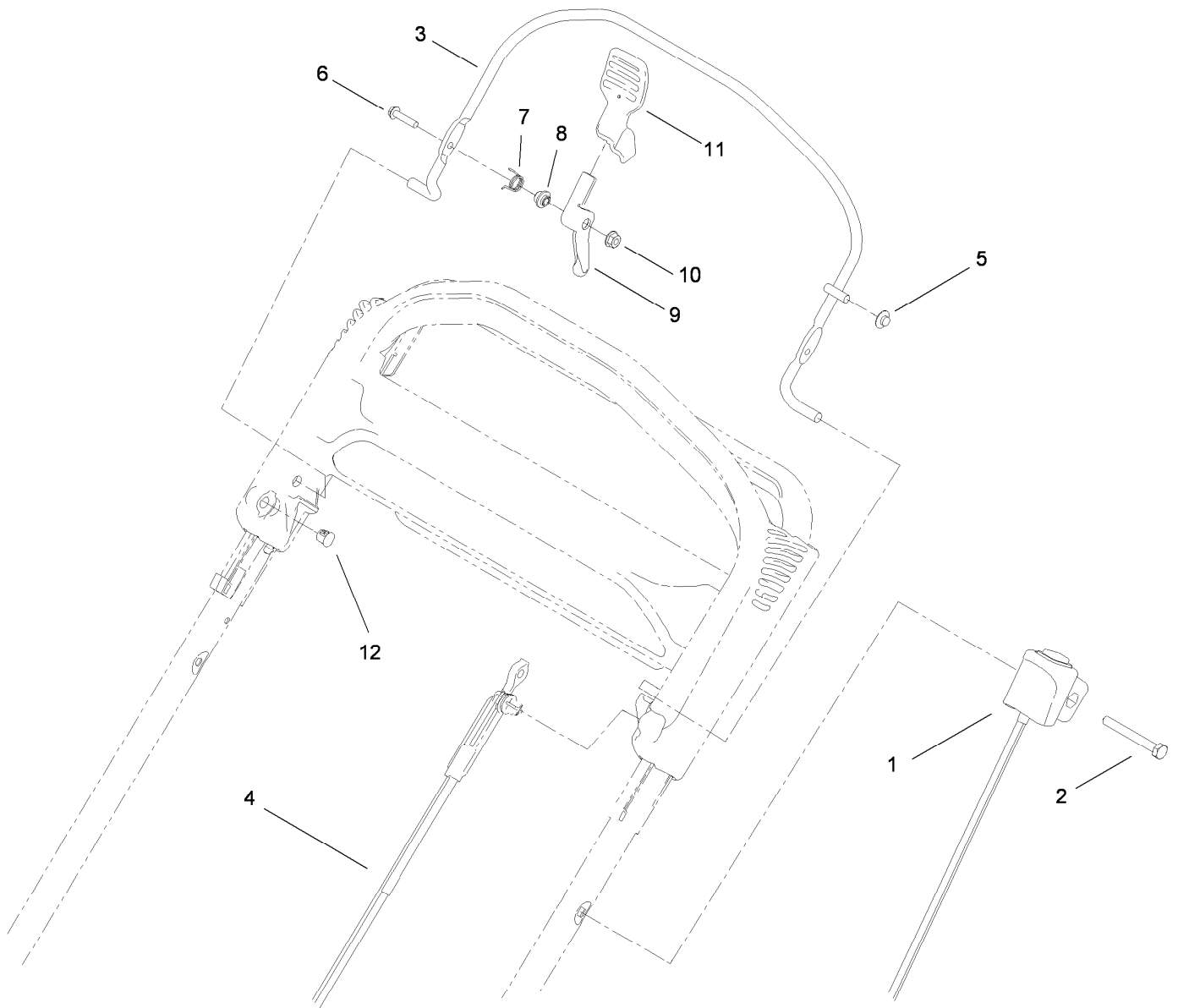
■ Obtain parts from www.briggsandstratton.com



Upper Handle Assembly

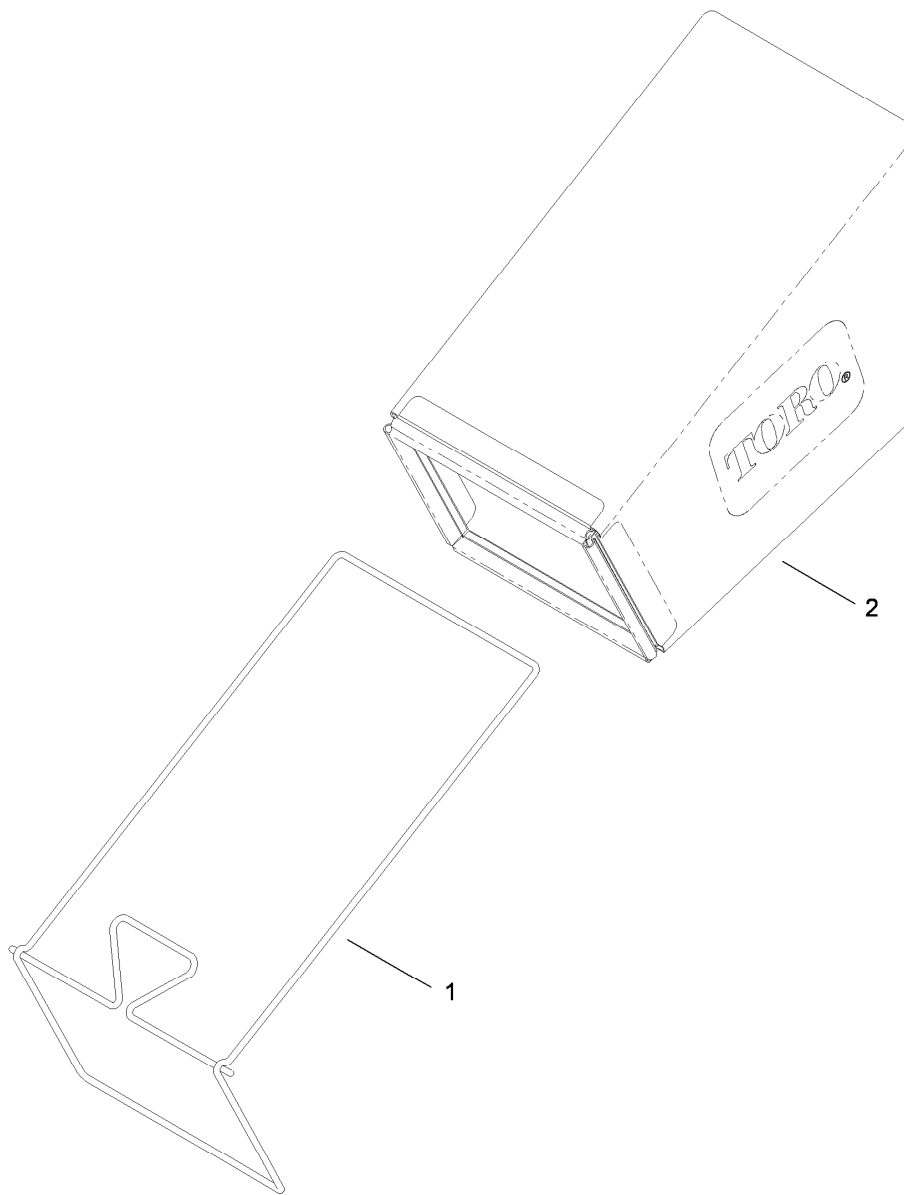
Ref.	Part Number	Qty.	Description
1	119-3810-05	1	Handle
2	99-1588	1	Bar-Control, Traction
3	104-8678	1	Handle-Control
4	86-9671	1	Guide-Rope
5	99-1589	1	Lever-Traction
7	3256-1	1	Washer-Flat
8	3296-73	2	Nut-Lock, NI
11	104-8690	1	Spring-Torsion

Ref.	Part Number	Qty.	Description
13	115-8435	1	Cable-Traction
14	117-5976	2	Knob-Handle, Locking
15	3230-6	2	Screw-CARR
16	106-6805	1	Guide-Cable
17	117-1019	1	Decal
18	99-5239	1	Anchor-Cable
20	105-6841	1	Guide-RH
21	105-6842	1	Guide-LH



Handle Component Assembly

<i>Ref.</i>	<i>Part Number</i>	<i>Qty.</i>	<i>Description</i>
1	108-8161	1	Switch Housing ASM
2	321-50	1	Screw-HH
3	108-3788-03	1	Bail-Brake
4	115-8439	1	Cable-Brake, BBC
5	3290-337	1	Nut-Speed
6	106-9169	1	Screw
7	107-7462	1	Spring-Torsion
8	107-7463	1	Spacer
9	106-6802	1	Lever
10	32128-17	1	Nut-Lock, Flange
11	112-8884	1	Knob-BBC
12	104-9368	1	Plug-Dome



Rear Bag Assembly

<i>Ref.</i>	<i>Part Number</i>	<i>Qty.</i>	<i>Description</i>
1	114-2679-03	1	Frame-Bag
2	115-4673	1	Grass Bag ASM

Attachments and Accessories

For 20333 22in Recycler Lawn Mower

Product Name	Model/Part
Traction Assist Handle Kit.....	108-8120
Loose Parts Kit	117-4132
Replacement Bag	59310
Replacement Frame and Bag Kit.....	59312
22 Inch Blade Kit.....	59534



Count on it.