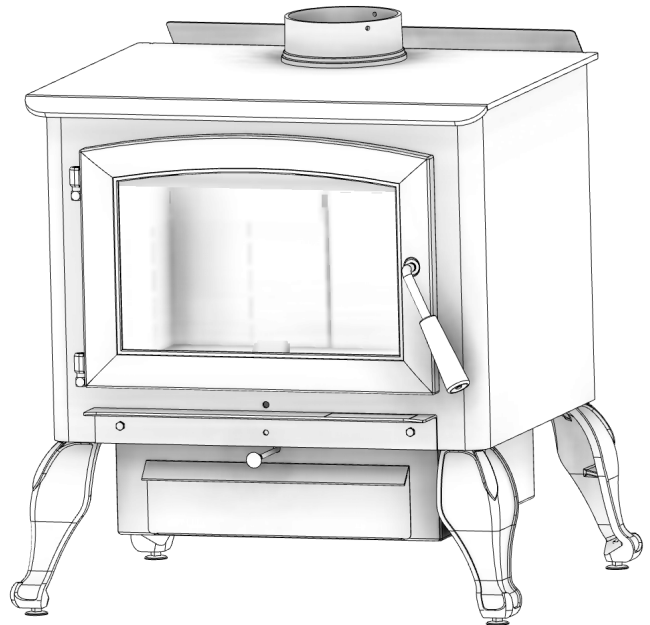
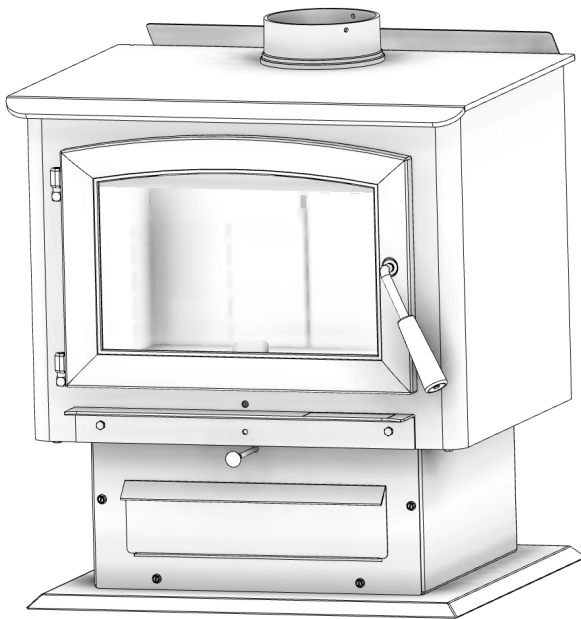




Magnolia II

MODEL: US2500E



Save These Instructions. This manual will help you to obtain efficient, dependable service from the heater, and enable you to order repair parts correctly. Keep in a safe place for future reference.

SAFETY NOTICE: If this heater is not properly installed, a house fire may result. For your safety, follow the installation instructions. Never use make-shift compromises during the installation of this heater. Contact local building or fire officials about permits, restrictions and installation requirements in your area.

CAUTION! Please read this entire manual before you install or use your new room heater. Failure to follow instructions may result in property damage, bodily injury, or even death. Improper Installation Could Void Your Warranty!

⚠ CALIFORNIA PROPOSITION 65 WARNING:

This product can expose you to chemicals including carbon monoxide, which is known to the State of California to cause cancer, birth defects and/or other reproductive harm. For more information, go to www.P65warnings.ca.gov

**UNITED STATES
STOVE CO.**
EST[®] 1869

United States Stove Company
PO Box 151, 227 Industrial Park Rd.,
South Pittsburg, TN 37380
PH: (800) 750-2723
www.usstove.com



Report Number: F19-487
Tested Per EPA Methods ALT-125, ASTM
E2515, ASTM E3053 and CSA B415
Certified to UL 1482-2011 (R2015) and
ULC-S627-00 (R2016)

Mobile home approved (U.S. ONLY)

U.S. Environmental Protection Agency
Certified to comply with 2020 particulate
emissions standards.

ALL PICTURES SHOWN ARE FOR ILLUSTRATIVE
PURPOSES ONLY. ACTUAL PRODUCT MAY
VARY DUE TO PRODUCT ENHANCEMENT.

This manual is subject to change without
notice.

853578D-1004J

The instructions pertaining to the installation of your wood stove comply with UL-1482 (R2015) and ULC-S627-00 (R2016) standards. This manual describes the installation and operation of the Magnolia II, US2500E wood heater. This heater meets the 2020 U.S. Environmental Protection Agency's cordwood emission limits for wood heaters sold after May 15, 2020. Under specific test conditions this heater has been shown to deliver heat at rates ranging from 20,374 to 60,065 Btu/hr (*0.88 g/hr and an efficiency of 73%).

Note: The BTU ratings mentioned above are based on the EPA test protocol under specific test conditions. Our advertised BTU's are based on the first hour of operation at high burn rate burning cordwood.

| | | | | |
|--|-------------------------------------|----------------|----------------|----------------|
| Combustible : | Wood | | | |
| Colors : | Metallic Black | | | |
| Flue Pipe Diameter : | 6" (152.5mm) | | | |
| Flue Pipe Type: (Standard Single Wall or Double Wall): | Black or Blued Steel 2100°F (650°C) | | | |
| Minimum Chimney Height : | 12' (3.7m) | | | |
| Maximum Log Length : | 21" (534mm) | | | |
| Dimensions | | | | |
| | MODEL | DEPTH | WIDTH | HEIGHT |
| Overall : Depth x Width x Height : | US2500E-L | 25.3" (643 mm) | 29.4" (747 mm) | 31.3" (796 mm) |
| | US2500E-P | 25.5" (648 mm) | 27" (686 mm) | 31.4" (798 mm) |
| Combustion Chamber : Width x Depth : | 22-3/4" x 16-5/8" (578mm x 423mm) | | | |
| Volume : Cubic Feet: | 2.73 cubic feet | | | |
| Door Opening : Width x Height: | 18" x 9-3/4" (458mm x 248mm) | | | |
| Pyroceramic Glass Door : (Viewing) Width x Height: | 17" x 11-1/4" (432mm x 286mm) | | | |

| OPTIONAL ACCESSORIES | |
|------------------------|--------|
| DESCRIPTION | PART # |
| Outside Air Intake Kit | 4FAK |

CAUTIONS:

- HOT WHILE IN OPERATION. KEEP CHILDREN, CLOTHING AND FURNITURE AWAY. CONTACT MAY CAUSE SKIN BURNS.
- DO NOT USE CHEMICALS OR FLUIDS TO IGNITE THE FIRE.
- DO NOT LEAVE THE STOVE UNATTENDED WHEN THE DOOR IS SLIGHTLY OPENED.
- DO NOT BURN GARBAGE, FLAMMABLE FLUID SUCH AS GASOLINE, NAPHTHA OR MOTOR OIL.
- DO NOT CONNECT TO ANY AIR DISTRIBUTION DUCT OR SYSTEM.
- ALWAYS CLOSE THE DOOR AFTER THE IGNITION.

Note: Register your product on line at www.usstove.com. Save your receipt with your records for any claims.

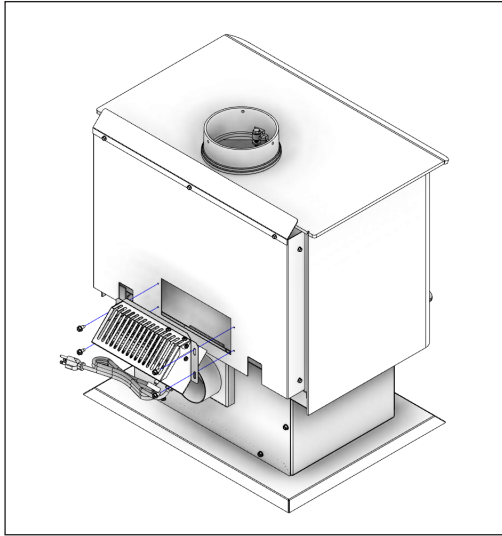
Assembly Instructions

TOOLS AND MATERIALS NEEDED FOR INSTALLATION

You will need a drill with a 1/8" bit to install sheet metal screws into connector pipe. A 5/16" socket/wrench or screw driver to install the room air deflector, and blower assembly described. A 1/2" socket/wrench to install flue collar. A non-combustible floor protector as specified in this manual. All chimney and chimney connector components required for your particular chimney installation. For mobile homes see the "For Use In Mobile Homes" section of this manual.

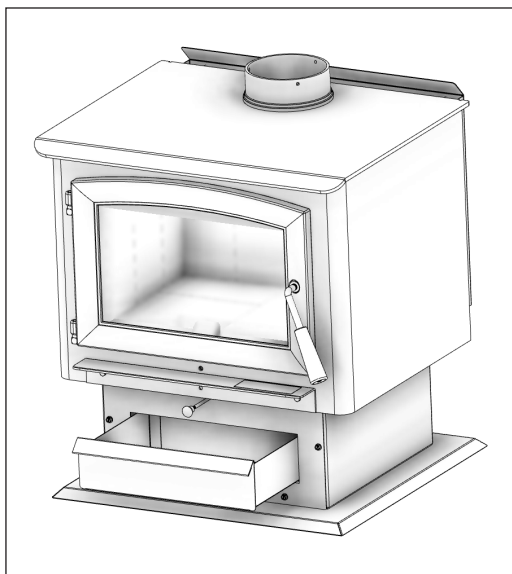
BLOWER ASSEMBLY

The blower assembly must be disconnected from the source of electrical supply before attempting the installation. The blower assembly is intended for use only with a stove that is marked to indicate such use. Do not route the supply cord near or across hot surfaces! Fix the assembly to the back of the stove with the four screws provided.



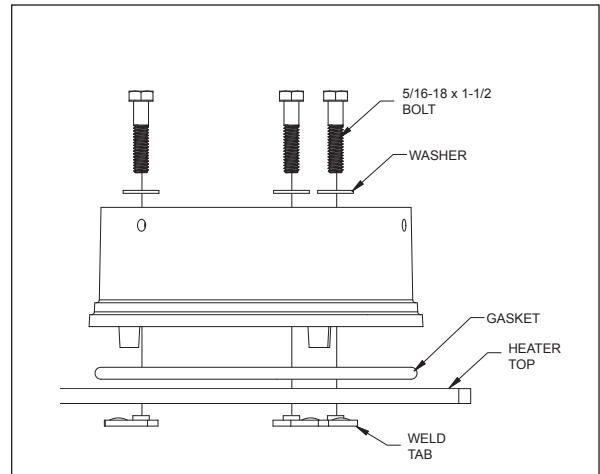
ASH PAN ASSEMBLY

Remove ash pan from firebox. Under the firebox, there are two brackets; Slide the ash pan into these brackets.



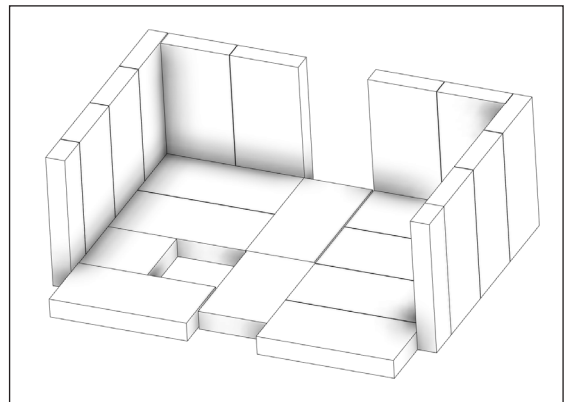
FLUE COLLAR ASSEMBLY

Mount the flue collar to the top of the unit as shown using the (3) 5/16-18 x 1-1/2 bolts, (3) washers, and (3) weld tabs provided in the parts box.



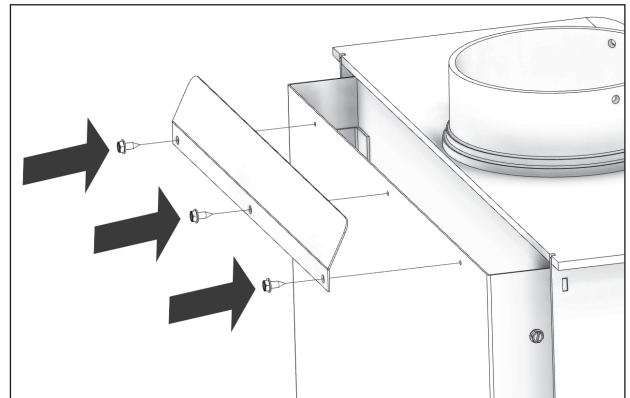
FIREBRICK CONFIGURATION

Replace the Firebrick as shown in the illustration.



AIR DEFLECTOR ASSEMBLY

Use the provided screws to attach the air deflector to the rear of the unit.



Installation

SAFETY NOTICE

- IF THIS STOVE IS NOT PROPERLY INSTALLED, A HOUSE FIRE MAY RESULT. TO REDUCE THE RISK OF FIRE, FOLLOW THE INSTALLATION INSTRUCTIONS.
- CONSULT YOUR MUNICIPAL BUILDING DEPARTMENT OR FIRE OFFICIALS ABOUT PERMITS, RESTRICTIONS AND INSTALLATIONS REQUIREMENTS IN YOUR AREA.
- USE SMOKE DETECTORS IN THE ROOM WHERE YOUR STOVE IS INSTALLED.
- KEEP FURNITURE AND DRAPES WELL AWAY FROM THE STOVE.
- NEVER USE GASOLINE, GASOLINE-TYPE LANTERN FUEL, KEROSENE, CHARCOAL LIGHTER FLUID, OR SIMILAR LIQUIDS TO START OR "FRESHEN UP" A FIRE IN THIS HEATER. KEEP ALL SUCH LIQUIDS WELL AWAY FROM THE HEATER WHILE IT IS IN USE.
- IN THE EVENT OF A CHIMNEY FIRE, PUSH THE AIR CONTROL FULL CLOSED TO DEPRIVE THE FIRE OF OXYGEN. CALL THE FIRE DEPARTMENT.
- DO NOT CONNECT TO ANY AIR DISTRIBUTION DUCT OR SYSTEM.
- A SOURCE OF FRESH AIR INTO THE ROOM OR SPACE HEATED SHALL BE PROVIDED WHEN REQUIRED.

POSITIONING THE STOVE

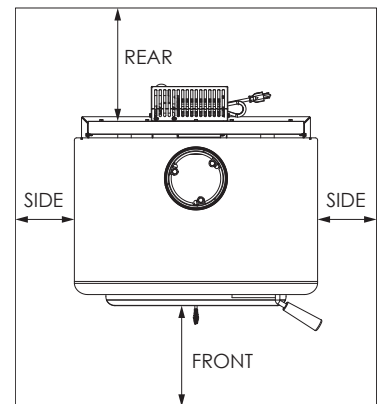
It is very important to position the wood stove as close as possible to the chimney, and in an area that will favor the most efficient heat distribution possible throughout the house. The stove must therefore be installed in the room where the most time is spent, and in the most spacious room possible. Recall that wood stoves produce radiating heat, the heat we feel when we are close to a wood stove. A wood stove also functions by convection, that is through the displacement of hot air accelerated upwards and its replacement with cooler air. If necessary, the hot air distribution from the stove may be facilitated by the installation of a blower. The wood stove must not be hooked up to a hot air distribution system since an excessive accumulation of heat may occur. A wood stove must never be installed in a hallway or near a staircase, since it may block the way in case of fire or fail to respect required clearances.

FLOOR PROTECTOR

This heater must have a non-combustible floor protector with an R-Value of at least 1.4 installed beneath it if the floor is constructed of combustible material. If a floor pad is used, it should be UL listed or equal. The floor protector should be large enough to extend under the stove and beyond each side as indicated. If there is a horizontal run of flue pipe, there needs to be floor protection under it that extends two inches beyond either side of the pipe.

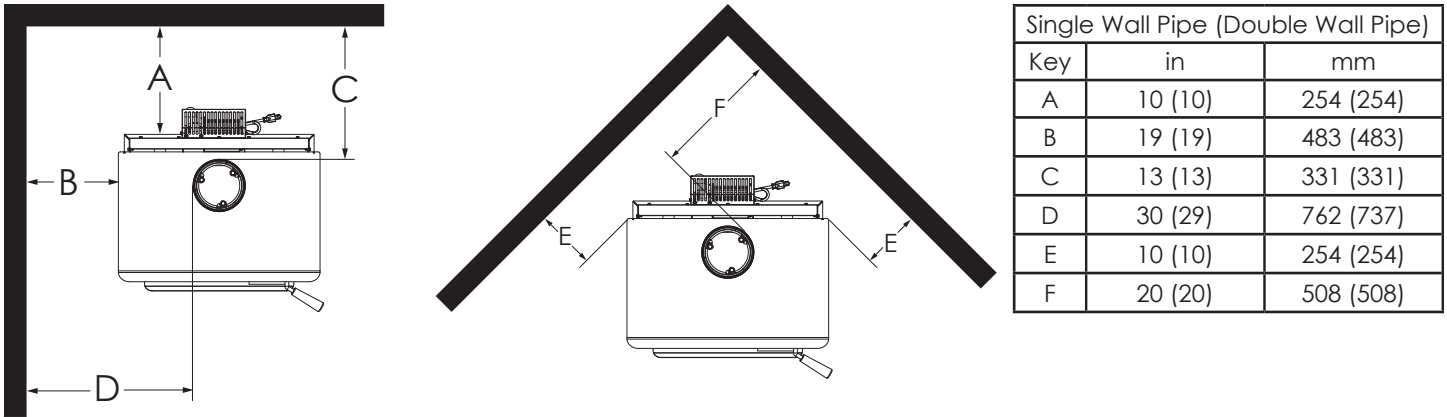
| Front | Sides | Rear |
|----------------|---------------|---------------|
| 26" (661mm) | 8" (203mm) | ☆2" (51mm) |

☆ - Canadian installations
require 8" (203mm)



CLEARANCES TO COMBUSTIBLES

It is of utmost importance that the clearances to combustible materials be strictly adhered to during installation of the stove.



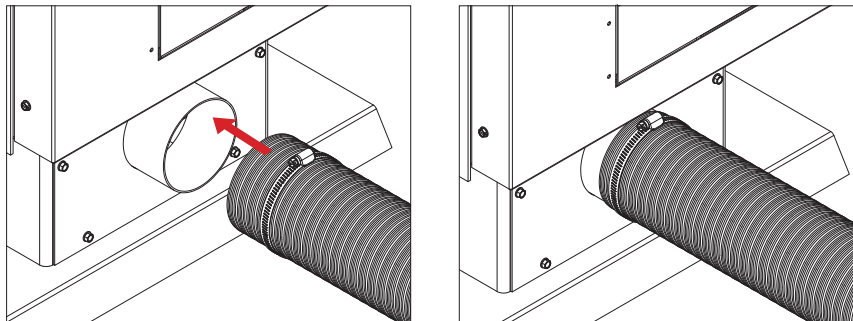
- Floor to ceiling height must be at least 7' (2.13m) in all cases.
- Do not place any combustible material within 4' (1.2m) of the front of the unit.
- The clearance between the flue pipe and a wall are valid only for vertical walls and for vertical flue pipe.
- If there is a horizontal run of flue pipe there must be at least 18" of clearance between the pipe and the ceiling. There also has to be floor protection under the horizontal run that extends 2" beyond each side of the flue pipe.
- The chimney connector must not pass through an attic or roof space, closet or similar concealed space, a floor, or a ceiling.
- For Canadian installations, where passage through a wall, or partition of combustible construction is desired, the installation must conform to CAN/CSA-B365.
- A flue pipe crossing a combustible wall must have a minimum clearance of 18" (457.2mm).
- To reduce flue clearances from combustible materials, contact your local safety department.

OUTSIDE COMBUSTION AIR

Your wood stove is approved to be installed with an outside air intake (4FAK) which is necessary for a mobile home. This type of installation is also required in air tight houses and houses with negative pressure problems. You can purchase this option through your heater dealer. Make sure to specify the part number mentioned in this booklet. Installation instructions are supplied with the air intake kit.

Outside combustion air may be required if:

1. Your stove does not draw steadily, smoke roll-out occurs, wood burns poorly, or back-drafts occur whether or not there is combustion present.
2. Existing fuel-fired equipment in the house, such as fireplaces or other heating appliances, smell, do not operate properly, suffer smoke roll-out when opened, or back-drafts occur whether or not there is combustion present.
3. Opening a window slightly on a calm (windless) day alleviates any of the above symptoms.
4. The house is equipped with a well-sealed vapor barrier and tight fitting windows and/or has any powered devices that exhaust house air.
5. There is excessive condensation on windows in the winter.
6. A ventilation system is installed in the house.



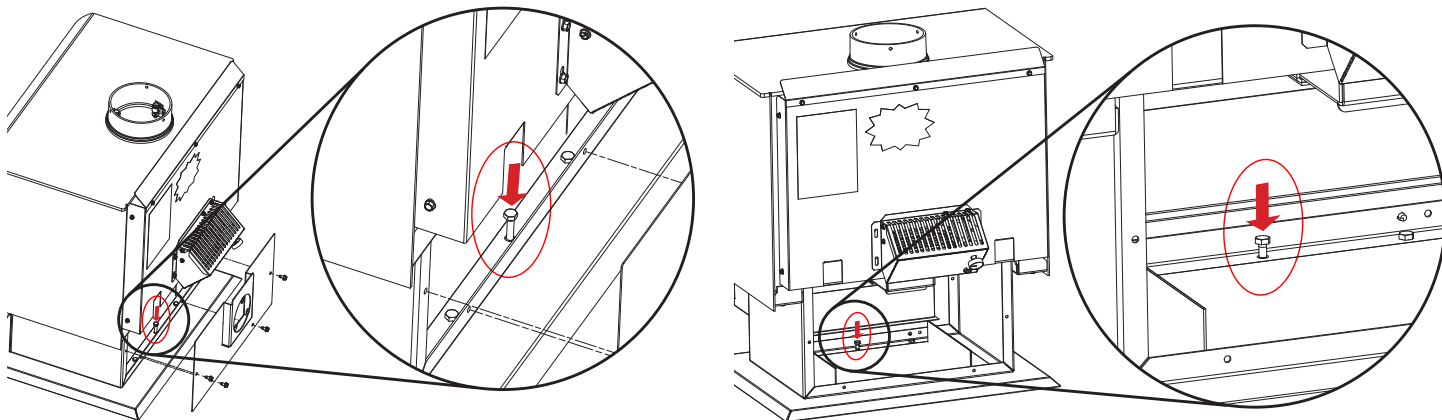
Slide the hose clamp over the aluminium flex pipe. Then slide the flex pipe over the air intake tube of the stove. Next tighten the hose clamp over the end of the aluminium flex hose.

For use in MOBILE HOMES (U.S. installations ONLY):

- WARNING! DO NOT INSTALL IN SLEEPING ROOM.
- CAUTION! THE STRUCTURAL INTEGRITY OF THE MOBILE HOME FLOOR, WALL, AND CEILING/ROOF MUST BE MAINTAINED.
- INSTALL IN ACCORDANCE WITH 24 CFR, PART 3280 (HUD).
- USE A FACTORY BUILT CHIMNEY THAT COMPLIES WITH UL 103 STANDARDS; THEREFORE IT MUST BE A TYPE HT (2100°F).
- USE A SPARK ARRESTER.
- THE STOVE MUST BE ATTACHED TO THE STRUCTURE OF THE MOBILE HOME.

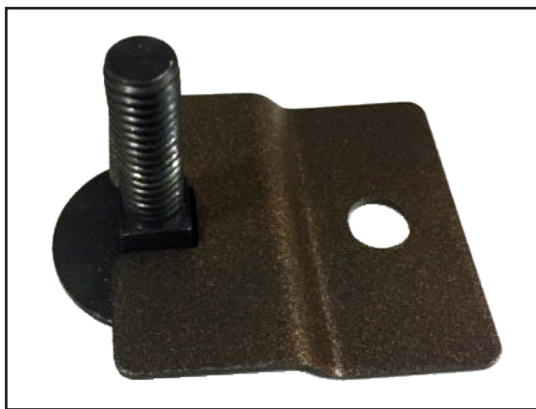
SECURING APPLIANCE'S ON A PEDESTAL TO THE FLOOR

Use the designated holes to secure the unit to the floor.



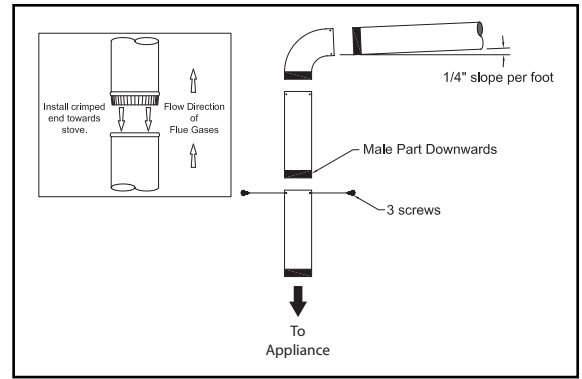
SECURING APPLIANCE'S WITH LEGS TO THE FLOOR

1. The bracket engages around the square extrusion of the leveling bolt inserted into the leg.
2. Once appliance is leveled, position the bracket and attach to the floor using the appropriate hardware needed for your specific flooring.
3. Install one bracket per leg or consult your local authority having jurisdiction to determine how many points of attachment are required.



CHIMNEY CONNECTOR (STOVE PIPE)

The chimney connector and chimney must have the same diameter as the stove outlet (6"). If this is not the case, we recommend you contact your dealer to ensure there will be no problem with the draft. The stovepipe must be made of aluminized or cold roll steel and have a minimum thickness of 0.021" or 0.53mm. It is strictly forbidden to use galvanized steel. The smoke pipe should be assembled to promote the male section (crimped end) of the pipe to be faced down. Attach each section to another with three equidistant metal screws. The pipe must be short and straight. All sections installed horizontally must slope at least 1/4 inch per foot, with the upper end of the section toward the chimney. Any installation with a horizontal run of chimney pipe must conform to NFPA 211. Contact NFPA (National Fire Protection Association) and request the latest edition of the NFPA Standard 211. To ensure a good draft, the total length of the coupling pipe should never exceed 8' to 10' (2.4m to 3.04m). Except for cases of vertical installation, in a cathedral-roof style where the smoke exhaust system can be much longer and connected without problem to the chimney at the ceiling of the room. There should never be more than two 90 degree elbows in the smoke exhaust system. The installation of a "barometric draft stabilizer" (fireplace register) on a smoke exhaust system is prohibited. Furthermore, the installation of a draft damper is not recommended. With a controlled combustion wood stove, the draft is regulated upon intake of the combustion air in the stove and not at the exhaust.

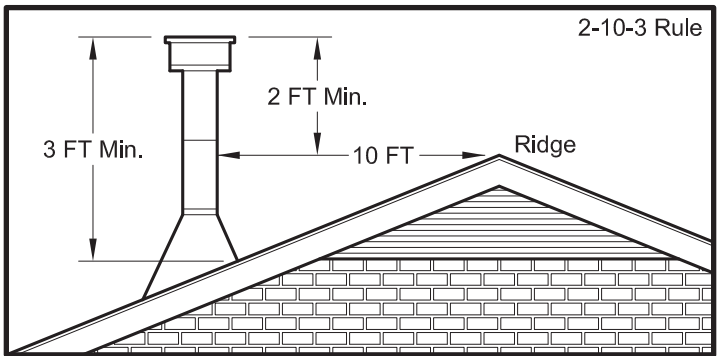


IMPORTANCE OF PROPER DRAFT

Draft is a force that moves air from the appliance up through the chimney. The amount of draft in your chimney depends on the length of the chimney, local geography, nearby obstructions and other factors. Too much draft may cause excessive temperatures in the appliance. An inadequate draft may cause back-puffing into the room and "plugging" of the chimney. An inadequate draft will cause the appliance to leak smoke into the room through appliance and chimney connector joints. An uncontrollable burn or excessive temperature indicates an excessive draft.

CHIMNEY

Your wood stove may be hooked up with a 6" factory-built or masonry chimney. If you are using a factory-built chimney, it must comply with UL 103 or CSA-B365 standard; therefore it must be a Type HT (2100°F). It must be installed according to the manufacturer's specifications. Take into account the chimney's location to ensure it is not too close to neighbors or in a valley which may cause unhealthy or nuisance conditions. If you are using a masonry chimney, it must be built in compliance with the specifications of the National Building Code. It must be lined with fire clay bricks, metal or clay tiles sealed together with fire cement. Round flues are the most efficient. The interior diameter of the chimney flue must be identical to the stove smoke exhaust. A flue which is too small may cause draft problems, while a large flue favors rapid cooling of the gas, and hence the build-up of creosote and the risk of chimney fires. Note that it is the chimney and not the stove which creates the draft effect; your stove's performance is directly dependent on an adequate draft from your chimney. **Do not connect this unit to a chimney flue serving another appliance.**

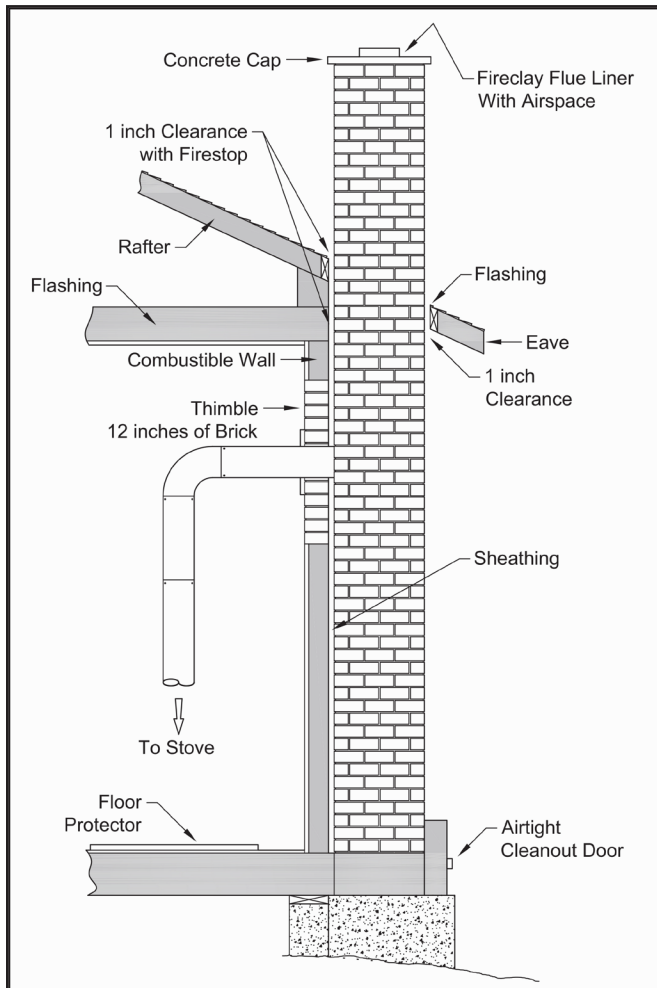
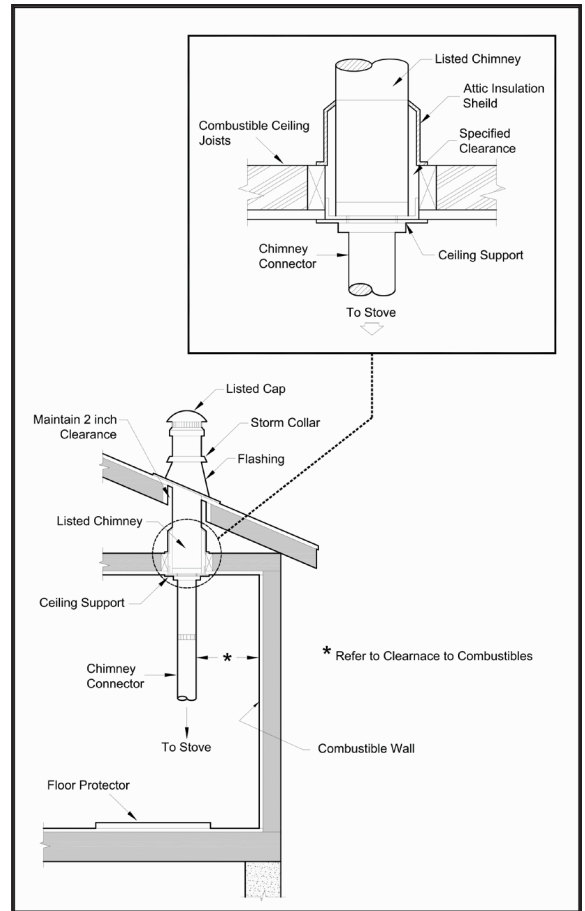


The following recommendations may be useful for the installation of your chimney:

1. It must rise above the roof at least 3' (0.9m) from the uppermost point of contact.
2. The chimney must exceed any part of the building or other obstruction within a 10' (3.04m) distance by a height of 2' (0.6m).
3. The installation of an interior chimney is always preferable to an exterior chimney. Indeed, the interior chimney will, by definition, be hotter than an exterior chimney, being heated up by the ambient air in the house. Therefore the gas which circulates will cool more slowly, thus reducing the build-up of creosote and the risk of chimney fires.
4. The draft caused by the tendency for hot air to rise will be increased with an interior chimney.
5. Using a fire screen at the extremity of the chimney requires regular inspection to ensure that it is not obstructed thus blocking the draft, and it should be cleaned when used regularly.

FACTORY BUILT CHIMNEY

When a metal prefabricated chimney is used, the manufacturer's installation instructions must be followed. You must also purchase (from the same manufacturer) and install the ceiling support package or wall pass-through and "T" section package, firestops (where needed), insulation shield, roof flashing, chimney cap, etc. Maintain proper clearance to the structure as recommended by the manufacturer. The chimney must be the required height above the roof or other obstructions for safety and proper draft operation.



MASONRY CHIMNEY

Ensure that a masonry chimney meets the minimum standards of the National Fire Protection Association (NFPA) by having it inspected by a professional. Make sure there are no cracks, loose mortar or other signs of deterioration and blockage. Be sure to the chimney cleaned before the stove is installed and operated. When connecting the stove through a combustible wall to a masonry chimney, special methods are needed.

COMBUSTIBLE WALL CHIMNEY CONNECTOR PASS-THROUGHS

METHOD A - 12" (304.8 mm) Clearance to Combustible Wall Member: Using a minimum thickness 3.5" (89 mm) brick and a 5/8" (15.9 mm) minimum wall thickness clay liner, construct a wall pass-through. The clay liner must conform to ASTM C315 (Standard Specification for Clay Fire Linings) or its equivalent. Keep a minimum of 12" (304.8 mm) of brick masonry between the clay liner and wall combustibles. The clay liner shall run from the brick masonry outer surface to the inner surface of the chimney flue liner but not past the inner surface. Firmly grout or cement the clay liner in place to the chimney flue liner.

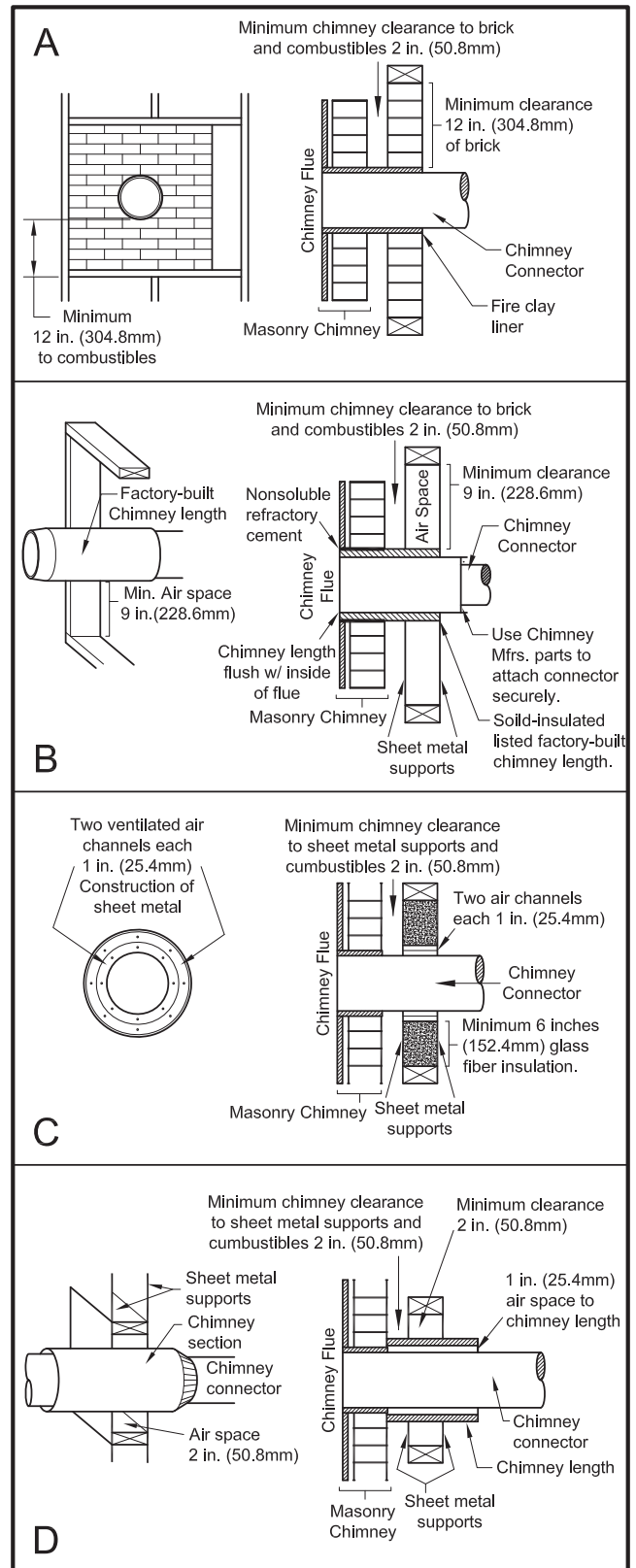
METHOD B - 9" (228.6 mm) Clearance to Combustible Wall Member: Using a 6" (152.4 mm) inside diameter, listed, factory-built Solid-Pak chimney section with insulation of 1" (25.4 mm) or more, build a wall pass-through with a minimum 9" (228.6 mm) air space between the outer wall of the chimney length and wall combustibles. Use sheet metal supports fastened securely to wall surfaces on all sides, to maintain the 9" (228.6 mm) air space. When fastening supports to chimney length, do not penetrate the chimney liner (the inside wall of the Solid-Pak chimney). The inner end of the Solid-Pak chimney section shall be flush with the inside of the masonry chimney flue, and sealed with a non-water soluble refractory cement. Use this cement to also seal to the brick masonry penetration.

METHOD C - 6" (152.4 mm) Clearance to Combustible Wall Member: Starting with a minimum 24 gage (.024" [0.61 mm]) 6" (152.4 mm) metal chimney connector, and a minimum 24 gage ventilated wall thimble which has two air channels of 1" (25.4 mm) each, construct a wall pass-through. There shall be a minimum 6" (152.4 mm) separation area containing fiberglass insulation, from the outer surface of the wall thimble to wall combustibles. Support the wall thimble, and cover its opening with a 24-gage minimum sheet metal support. Maintain the 6" (152.4 mm) space. There should also be a support sized to fit and hold the metal chimney connector. See that the supports are fastened securely to wall surfaces on all sides. Make sure fasteners used to secure the metal chimney connector do not penetrate chimney flue liner.

METHOD D - 2" (50.8 mm) Clearance to Combustible Wall Member: Start with a solid-pak listed factory built chimney section at least 12" (304 mm) long, with insulation of 1" (25.4 mm) or more, and an inside diameter of 8" (2 inches [51 mm] larger than the 6" [152.4 mm] chimney connector). Use this as a pass-through for a minimum 24-gauge single wall steel chimney connector. Keep solid-pak section concentric with and spaced 1" (25.4 mm) off the chimney connector by way of sheet metal support plates at both ends of chimney section. Cover opening with and support chimney section on both sides with 24 gage minimum sheet metal supports. See that the supports are fastened securely to wall surfaces on all sides. Make sure fasteners used to secure chimney flue line do not penetrate the inner liner.

NOTES:

1. Connectors to a masonry chimney, excepting method B, shall extend in one continuous section through the wall pass-through system and the chimney wall, to but not past the inner flue liner face.
2. A chimney connector shall not pass through an attic or roof space, closet or similar concealed space, or a floor, or ceiling.



Fuel Recommendations

WOODSTOVE UTILIZATION

Your heating appliance was designed to burn wood only; no other materials should be burned. Waste and other flammable materials should not be burned in your stove. Any type of wood may be used in your stove, but specific varieties have better energy yields than others. Please consult the following table in order to make the best possible choice.

| TYPE | WEIGHT (LBS. CU. FT., DRY) | PER CORD | EFFICIENCY RANKING | SPLITS | MILLIONS BTU's/ CORD |
|--------------|-------------------------------|----------|-----------------------|----------------|-------------------------|
| Hickory | 63 | 4500 | 1.0 | Well | 31.5 |
| White Oak | 48 | 4100 | .9 | Fair | 28.6 |
| Red Oak | 46 | 3900 | .8 | Fair | 27.4 |
| Beech | 45 | 3800 | .7 | Hard | 26.8 |
| Sugar Maple | 44 | 3700 | .6 | Fair | 26.2 |
| Black Oak | 43 | 3700 | .6 | Fair | 25.6 |
| Ash | 42 | 3600 | .5 | Well | 25.0 |
| Yellow Birch | 40 | 3400 | .4 | Hard | 23.8 |
| Red Maple | 38 | 3200 | .3 | Fair | 22.6 |
| Paper Birch | 37 | 3100 | .3 | Easy | 22.1 |
| Elm/Sycamore | 34 | 2900 | .2 | Very Difficult | 20.1 |
| Red Spruce | 29 | 1800 | .1 | Easy | 16.1 |

It is EXTREMELY IMPORTANT that you use DRY WOOD only in your wood stove. The wood should have dried for 9 to 15 months, such that the humidity content (in weight) is reduced below 20% of the weight of the log. It is very important to keep in mind that even if the wood has been cut for one, two, or even more years, it is not necessarily dry, if it has been stored in poor conditions. Under extreme conditions it may rot instead of drying. This point cannot be over stressed; the vast majority of the problems related to the operation of a wood stove is caused by the fact that the wood used was too damp or had dried in poor conditions. These problems can be:

- ignition problems
- creosote build-up causing chimney fires
- low energy yield
- blackened windows
- incomplete log combustion

Smaller pieces of wood will dry faster. All logs exceeding 6" in diameter should be split. The wood should not be stored directly on the ground. Air should circulate through the cord. A 24" to 48" air space should be left between each row of logs, which should be placed in the sunniest location possible. The upper layer of wood should be protected from the element but not the sides.

TESTING YOUR WOOD

- When the stove is thoroughly warmed, place one piece of split wood (about five inches in diameter) parallel to the door on the bed of red embers.
- Keep the air control full open and close the door. If ignition of the piece is accomplished within 90 seconds from the time it was placed in the stove, your wood is correctly dried. If ignition takes longer, your wood is damp.
- If your wood hisses and water or vapor escapes at the ends of the piece, your wood is soaked or freshly cut (green). Do not use this wood in your stove. Large amounts of creosote could be deposited in your chimney, creating potential conditions for a chimney fire.

Operating Instructions

CAUTIONS: HOUSE FIRE HAZARDS

- Do not store wood on floor protector, underneath stovepipe(s) if applicable, or anywhere within clearances to combustible surfaces specified for this appliance.
- Never operate with secondary tubes, fiber board, or insulation removed.

OPERATING SAFETY PRECAUTIONS

- Never overfire this appliance by building excessively hot fires as a house/building fire may result. You are overfiring the appliance if it begins to glow or turn red.
- Never build excessively large fires in this type of appliance as damage to the firebox or smoke leakage may result.
- Do not build fire too close to glass.
- Hot while in operation. Keep children, clothing, and furniture away. Contact may cause skins burns. Do not touch the appliance until it has cooled.
- Provide adequate air for combustion to the room where the appliance is installed.
- Inspect chimney liner every 60 days. Replace liner immediately if it is rusting or leaking smoke into the room.
- Attempts to achieve heat output rates that exceed heater design specifications can result in permanent damage to the heater.

WARNING: EXPLOSION HAZARD

- Never use chemicals, gasoline, gasoline-type lantern fuel, kerosene, charcoal lighter fluid, or similar flammable liquids to start or "freshen up" a fire in the appliance.
- Keep all flammable liquids, especially gasoline, out of the vicinity of the appliance - whether in use or in storage.

WOOD STOVE UTILIZATION

The operation of this wood heater in a manner inconsistent with the owner's manual will void your warranty and is also against federal regulations. This heater is designed to burn natural wood only. Higher efficiencies and lower emissions generally result when burning air dried seasoned hardwoods, as compared to softwoods or too green or freshly cut hardwoods.

DO NOT BURN:

1. Garbage;
2. Lawn clippings or yard waste;
3. Materials containing rubber, including tires;
4. Materials containing plastic;
5. Waste petroleum products, paints or paint thinners, or asphalt products;
6. Materials containing asbestos;
7. Construction or demolition debris;
8. Railroad ties or pressure-treated wood;
9. Manure or animal remains;
10. Saltwater driftwood or other previously salt water-saturated materials;
11. Unseasoned wood; or
12. Paper products, cardboard, plywood, or particleboard. The prohibition against burning these materials does not prohibit the use of fire starters made from paper, cardboard, sawdust, wax, and similar substances to start a fire in an affected wood heater.

Burning these materials may result in the release of toxic fumes or render the heater ineffective and cause smoke. Deadwood lying on the forest floor should be considered wet and requires full seasoning time. Standing deadwood can usually be considered to be about 2/3 seasoned. Splitting and stacking wood before it is stored accelerates the drying time. Storing wood on an elevated surface from the ground and under a cover or covered area from rain or snow also accelerates the drying time. A good indicator of if the wood is ready to burn is to check the piece ends. If cracks are radiating in all directions from the center then the wood should be dry enough to burn. If your wood sizzles in the fire, even though the surface is dry, it may not be fully cured and should be seasoned longer.

Do not burn manufactured logs made of wax impregnated sawdust or logs with any chemical additives. Manufactured logs made of 100% compressed sawdust can be burned, but be careful burning too much of these logs at the same time. Start with one manufactured log and see how the stove reacts. You can increase the number of logs burned at a time but make sure the temperature never rises higher than 475°F (246°C) on a magnetic thermometer for installation on single wall stove pipes or 900°F (482°C) on a probe thermometer for installation on double wall stove pipe. The thermometer should be placed about 18" (457 mm) above the stove. Higher temperatures can lead to overheat and damage your stove.



TAMPER WARNING

This wood heater has a manufacturer-set minimum low burn rate that must not be altered. It is against federal regulations to alter this setting or otherwise operate this wood heater in a manner inconsistent with operating instructions in this manual.

EFFICIENCIES

Efficiencies can be based on either the lower heating value (LHV) or the higher heating value (HHV) of the fuel. The lower heating value is when water leaves the combustion process as a vapor, in the case of woodstoves the moisture in the wood being burned leaves the stove as a vapor. The higher heating value is when water leaves the combustion process completely condensed. In the case of woodstoves this would assume the exhaust gases are room temperature when leaving the system, and therefore calculations using this heating value consider the heat going up the chimney as lost energy. Therefore, efficiency calculated using the lower heating value of wood will be higher than efficiency calculated using the higher heating value. The best way to achieve optimum efficiencies is to learn the burn characteristic of your appliance and burn well-seasoned wood. Higher burn rates are not always the best heating burn rates; after a good fire is established a lower burn rate may be a better option for efficient heating. A lower burn rate slows the flow of usable heat out of the home through the chimney, and it also consumes less wood.

NOTICE - INITIAL BURNS TO CURE PAINT

BECAUSE OF THE HIGH OPERATING TEMPERATURES, THIS APPLIANCE IS COATED WITH A SPECIAL HIGH TEMP PAINT WHICH REQUIRES A SERIES OF LOW TO MEDIUM BURNS TO FULLY CURE FOR DURABILITY AND A LIFETIME OF SERVICE. Proper curing of the high-temp paint requires a series of three initial burns. The appliance should be allowed to cool off between each burn. The first two burns should be small fires and low temperatures (250°F) for a duration of 20 minutes each. The third fire should be at a temperature of approximately 500°F for 20 minutes. Provide adequate cross ventilation to clear any smoke or odor caused by initial firings.

Notice: Use solid wood fuel only! Do not burn garbage, or flammable fluids. Do not use coal. This appliance is not designed to accommodate the air flow (draft) required to properly burn coal or coal products. Do not elevate the fire using grates or irons. Build the fire directly on the firebrick.

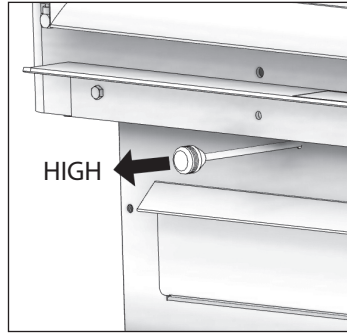
FUELING INSTRUCTIONS

This wood stove has been certified by the US EPA to meet strict 2020 guidelines. To ensure this unit produces the optimal minimum emissions it is critical that only well-seasoned cordwood is burned (see the "Fuel Recommendations" section of this manual). Burning unseasoned wet wood only hurts your stoves efficiency and leads to accelerated creosote buildup in your chimney. Be considerate of the environment and only burn dry wood.

CAUTION: DO NOT LEAVE APPLIANCE UNATTENDED THE WITH DOOR OPEN.

For a cold start-up, place 4 to 5 pieces of newspaper into the firebox. On top of the newspaper, lay 4 lbs of kindling in random placement to ensure airflow through the kindling. On top of the kindling, place approximately 7 lbs of small pieces of cordwood. NOTE: Use smaller pieces of wood during start-up and a high burn rate to increase the stove temperature.

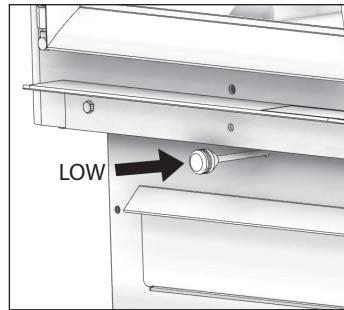




Pull the air control out fully. Light the newspaper and leave the door slightly open for about a minute. NOTE: You may have to leave it open a bit longer, depending on your chimney height and outdoor conditions. After about a minute (or once your fire is well started) close the door and allow the kindling to ignite. Once the kindling has burned down to a starter coal bed, load the unit with approximately 29 lbs of fuel for the first high burn load.

After the first high burn load and the stove is well warmed up, adjust the unit as needed for a medium or low burn setting.

For a medium burn, once the high burn fuel load is burned down to an established coal bed, load the unit with 34 lbs of cordwood and close the door immediately. Leave the air control fully open (in the "HI" position) for 5 minutes. After 5 minutes push in the air control to the medium position (midway between the "Low" and "Hi" position).



For a low burn setting once the high burn (or medium) fuel load is burned down to an established coal bed, load the unit with 32 lbs of cordwood and close the door immediately. Leave the air control fully open (in the "HI" position) for 4.5 minutes then close halfway. After 15 minutes begin to push the air control in to the "Low" position (air control fully pushed in). NOTE: Do not close the air too quickly. Closing the air too quickly will cause the unit to smoke.

WARNINGS:

- NEVER OVERFIRE YOUR STOVE. IF ANY PART OF THE STOVE STARTS TO GLOW RED, OVER FIRING IS HAPPENING. READJUST THE AIR INTAKE CONTROL AT A LOWER SETTING.
- THE INSTALLATION OF A LOG CRADLE OR GRATES IS NOT RECOMMENDED IN YOUR WOOD STOVE. BUILD FIRE DIRECTLY ON FIREBRICK.
- NEVER PUT WOOD ABOVE THE FIREBRICK LINING OF THE FIREBOX.
- ATTEMPTS TO ACHIEVE HEAT OUTPUT RATES THAT EXCEED HEATER DESIGN SPECIFICATIONS CAN RESULT IN PERMANENT DAMAGE TO THE HEATER.

ADDING FUEL

1. Once you have obtained a good bed of embers, you should reload the unit. To do so, open the air controls to maximum a few seconds before opening the stove's door.
2. Open the door very slowly; open it one or two inches for 5 to 10 seconds, before opening it completely to increase the draft and thus eliminate the smoke which is stagnant in a state of slow combustion in the stove.
3. Rake the glowing embers to the front of the stove. Add fuel being careful not to overload or overfire the appliance. When adding fuel be careful not to smother the fire. Do not build fires against glass and make sure the embers do not obstruct the air inlet. Do not allow logs to roll and strike the glass.

NOTE: For optimal operation of this unit, it is recommend to operate it with a wood load approximately equivalent to the height of fire bricks. It is important to note that wood combustion consumes ambient oxygen in the room. In the case of negative pressure, it is a good idea to allow fresh air in the room, either by opening a window slightly or by installing a fresh air intake system on an outside wall.

4. Close the feed door and secure tightly.

1. Adjust the air inlet control as described in the “Fueling Instruction” section of this manual.
2. Empty ashes regularly. Do not allow ashes to pile up. Properly dispose of hot ashes (see the “Ash Removal And Disposal” section of this manual).
3. Burn small, intense fires instead of large, slow burning fires when possible. Large slow burning fires can deposit creosote within the heating system.
4. Learn your appliance's operating characteristics to obtain optimum performance.

VISIBLE SMOKE

The amount of visible smoke being produced can be an effective method of determining how efficiently the combustion process is taking place in the given settings. Visible smoke consists of unburned fuel and moisture leaving your stove. Learn to adjust the air settings of your specific unit to produce the smallest amount of visible smoke. Wood that has not been seasoned properly and has a high wood moisture content will produce excess visible smoke and burn poorly.

AIR TUBES

The air tubes assembled in this unit are designed to provide an accurate mix of secondary air to ensure the highest efficiency. Any damage or deterioration of these tubes may reduce the efficiency of combustion. The air tubes are held in position by screws or snap pins. Locate these to either side of the tube and remove it to allow the tube to be removed and replaced.

BLOWER OPERATION

The variable speed blower circulates air warmed by the firebox into the living area to distribute the heat more evenly. The blower control knob is located on the side of the blower housing. Turn the knob clockwise to turn the blower on. The speed is controlled by turning the knob clockwise for slower speeds and counter-clockwise for faster speeds. To turn the blower off, turn the speed control knob fully counter-clockwise. It is recommended to turn the blower off when the unit is not in operation. The blower needs to be removed and air-blown clean. Make sure the blades do not have build up.

Chimney Maintenance

CAUTION:

Do not overfire appliance. You are overfiring if any part of the appliance glows red. Close the door and shut damper immediately to reduce the air supply and slow down the fire.

CAUTION:

Slow burning fires for extended use or burning green wood may cause excessive creosote build-up. Ignition of creosote or overfiring could cause a chimney fire. Chimney fires burn extremely hot and may ignite surrounding combustible materials. In case of a chimney fire, call the fire department immediately!

CREOSOTE FORMATION AND NEED FOR REMOVAL

When wood is burned slowly, it produces tar and other organic vapors, which combine with expelled moisture to form creosote. The creosote vapors condense in the relatively cool chimney flue of a slow-burning fire. As a result, creosote residue accumulates on the flue lining. When ignited this creosote makes an extremely high temper fire. The chimney connector and chimney should be inspected at least once every two months during the heating season to determine if a creosote build-up has occurred. If creosote has accumulated (3 mm or more), it should be removed to reduce the risk of a chimney fire.

We strongly recommend that you install a magnetic thermometer on your smoke exhaust pipe, approximately 18” above the stove. This thermometer will indicate the temperature of your gas exhaust fumes within the smoke exhaust system. The ideal temperature for these gases is somewhere between 275°F and 500°F. Below these temperatures, the build-up of creosote is promoted. Above 500°F, heat is wasted since a too large quantity is lost into the atmosphere.

TO PREVENT CREOSOTE BUILD UP

- Always burn dry wood. This allows clean burns and higher chimney temperatures, therefore less creosote deposit.
- Leave the air control fully open for about 5 min. every time you reload the stove to bring it back to proper operating temperatures. The secondary combustion can only take place if the firebox is hot enough.
- Always check for creosote deposit once every two months and have your chimney cleaned at least once a year.

- If a chimney or creosote fire occurs, close all dampers immediately. Wait for the fire to go out and the heater to cool, then inspect the chimney for damage. If no damage results, perform a chimney cleaning to ensure no more creosote deposits is remaining in the chimney.

CAUTION:

A chimney fire may cause ignition of wall studs or rafters which were assumed to be a safe distance away from the chimney. If a chimney fire occurs, have your chimney inspected by a qualified expert before using again.

ASH REMOVAL & DISPOSAL

Whenever ashes get 3 to 4 inches deep in your firebox or ash pan, and when the fire has burned down and cooled, remove excess ashes. Leave an ash bed approximately 1 inch deep on the firebox bottom to help maintain a hot charcoal bed. Ashes should be placed in a metal container with a tight-fitting lid. The closed container of ashes should be placed on a non-combustible floor or the ground, away from all combustible materials, pending final disposal. The ashes should be retained in the closed container until all cinders have thoroughly cooled.

CAUTIONS:

- ASHES COULD CONTAIN HOT EMBERS EVEN AFTER TWO DAYS WITHOUT OPERATING THE STOVE.
- THE ASH PAN CAN BECOME VERY HOT. WEAR GLOVES TO PREVENT INJURY.
- NEVER BURN THE STOVE WITH THE ASH TRAP OPEN. THIS WOULD RESULT IN OVER FIRING THE STOVE. DAMAGE TO THE STOVE AND EVEN HOUSE FIRE MAY RESULT.

SMOKE & CO MONITORS

Burning wood naturally produces smoke and carbon monoxide(CO) emissions. CO is a poisonous gas when exposed to elevated concentrations for extended periods. While the modern combustion systems in heaters drastically reduce the amount of CO emitted out the chimney, exposure to the gases in closed or confined areas can be dangerous. Make sure your stove gaskets and chimney joints are in good working order and sealing properly to ensure unintended exposure. It is recommended that you use both smoke and CO monitors in areas having the potential to generate CO.

GLASS CARE

- Inspect and clean the glass regularly to detect any cracks. If you spot one, turn the stove off immediately. Do not abuse the glass door by striking or slamming shut. Do not use the stove if the glass is broken.
- If the glass on your stove breaks, replace only with the glass supplied from your heater dealer. Never substitute other materials for the glass.
- To replace the glass, remove the screws retaining the glass moldings inside the door. Remove the moldings and replace the damaged piece with a new one. Perform the procedure backward after replacing it. When replacing the glass, you should change the glass gasket to make sure you keep it sealed.
- Never wash the glass with a product that may scratch. Use a specialized product, available in the stores where wood stoves are sold. The glass should be washed only when cold.

GASKET CARE

This unit's door uses a 3/4" diameter rope gasket. It is recommended that you change the door gasket (which makes your stove door air tight) once a year, in order to ensure good control over the combustion, maximum efficiency and security. To change the door gasket, simply remove the damaged one. Carefully clean the available gasket groove, apply a high temperature silicone sold for this purpose, and install the new gasket. You may light up your stove again approximately 24 hours after having completed this operation.

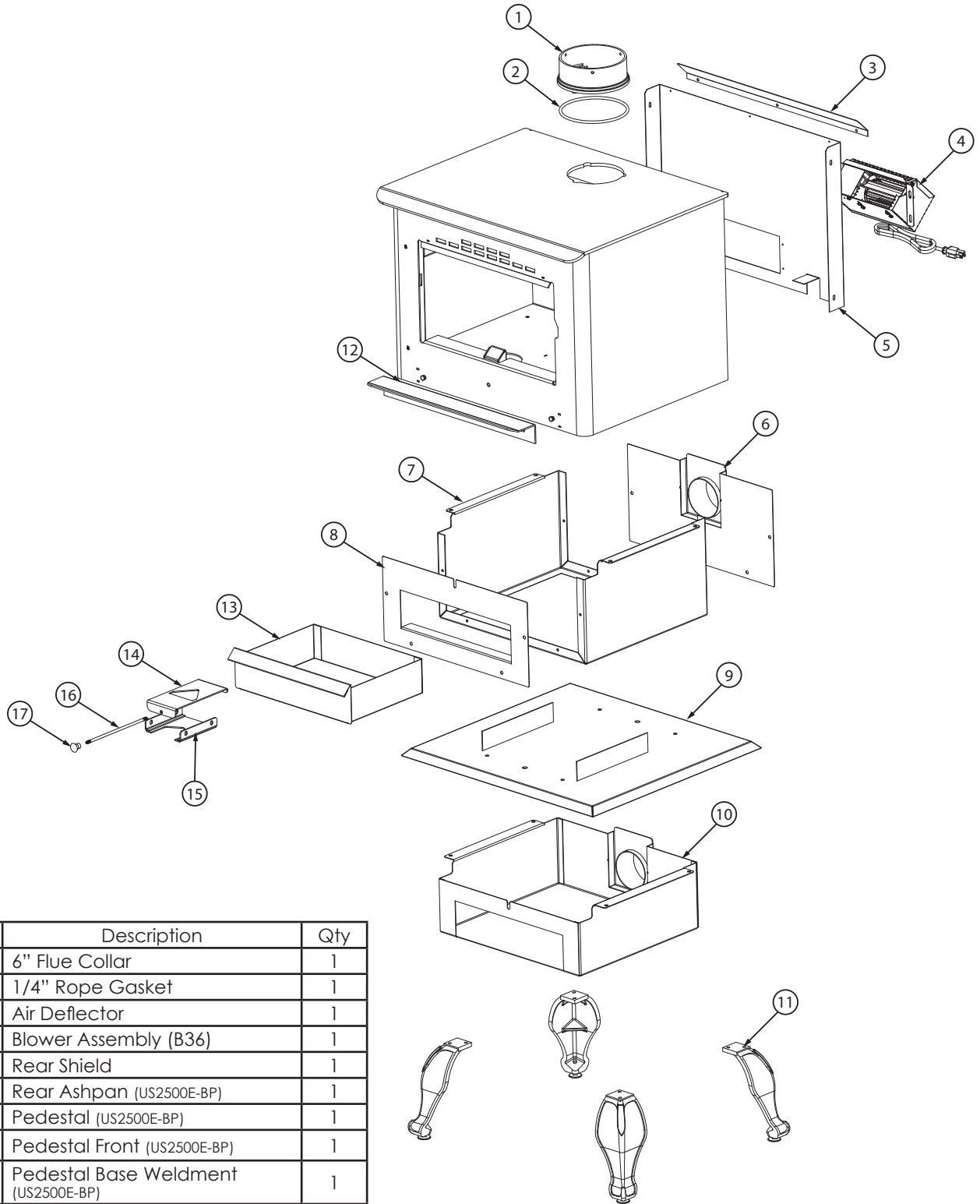
WARNING:

NEVER OPERATE THE STOVE WITHOUT A GASKET OR WITH A BROKEN ONE. DAMAGE TO THE STOVE OR EVEN HOUSE FIRE MAY RESULT.

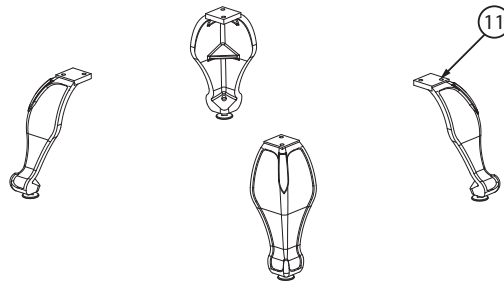
ATTENTION:

This wood heater needs periodic inspection and repair for proper operation. It is against federal regulations to operate this wood heater in a manner inconsistent with operating instructions in this manual.

Repair Parts

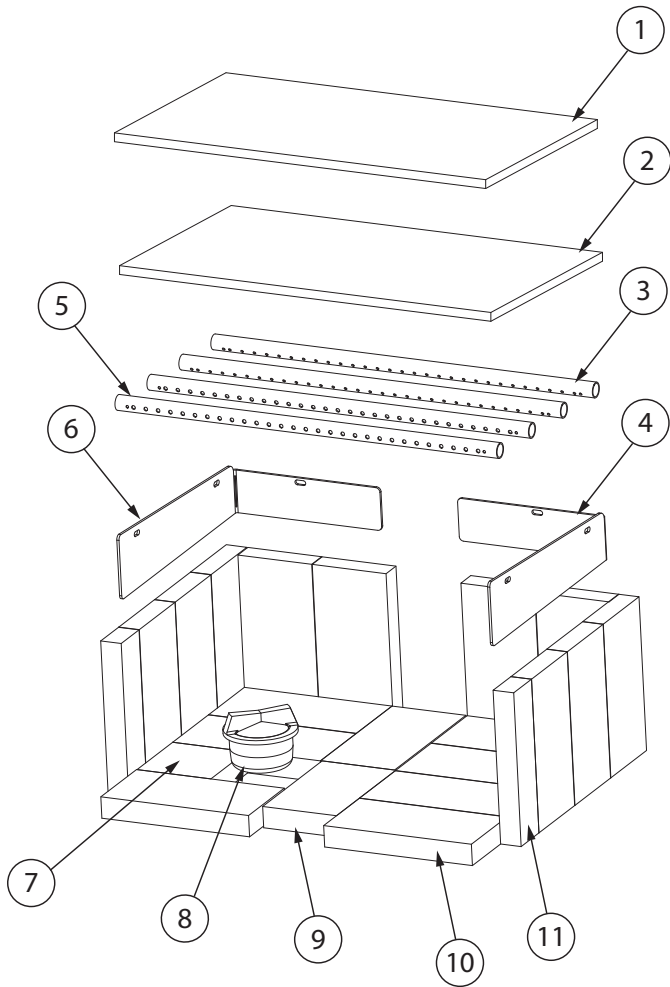


| Key | Part # | Description | Qty |
|-----|--------|-------------------------------------|-----|
| 1 | 40292A | 6" Flue Collar | 1 |
| 2 | 88042 | 1/4" Rope Gasket | 1 |
| 3 | 25845 | Air Deflector | 1 |
| 4 | 891492 | Blower Assembly (B36) | 1 |
| 5 | 26060 | Rear Shield | 1 |
| 6 | 610926 | Rear Ashpan (US2500E-BP) | 1 |
| 7 | 29243 | Pedestal (US2500E-BP) | 1 |
| 8 | 29065 | Pedestal Front (US2500E-BP) | 1 |
| 9 | 610969 | Pedestal Base Weldment (US2500E-BP) | 1 |
| 10 | 610968 | Ashpan Housing (US2500E-BL) | 1 |
| 11 | 40566 | Cast Iron Leg (US2500E-BL) | 4 |
| 12 | 25826 | Hearth Plate | 1 |
| 13 | 29216 | Ash Pan | 1 |
| 14 | 610068 | Damper Slide Weldment | 1 |
| 15 | 610066 | Slide Retainer Weldment | 1 |
| 16 | 86954 | Damper Rod | 1 |
| 17 | 891987 | Plastic Knob | 1 |



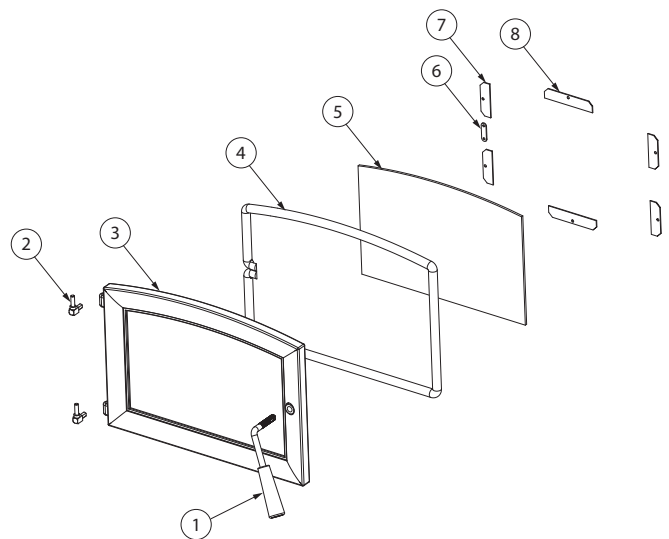
In order to maintain warranty, components must be replaced using original manufacturers parts purchased through your dealer or directly from the appliance manufacturer. Use of third party components will void the warranty.

Repair Parts



| Key | Part # | Description | Qty |
|-----|---------|---------------------------------------|-----|
| 1 | 88325 | Kao Wool Blanket | 1 |
| 2 | 88138 | Ceramic Fiber Board | 1 |
| 3 | 86643 | Secondary Air Tube (Ø5/32) | 2 |
| 4 | 29247 | Right Brick Panel | |
| 5 | 86645 | Secondary Air Tube (Ø7/32) | 2 |
| 6 | 29248 | Left Brick Panel | 1 |
| 7 | 24103A | Half Firebrick Pumice (4-1/2 X 4-1/2) | 1 |
| 8 | 40561 | Ash Plug | 1 |
| 9 | 891530A | Firebrick (4.5 X 7.5 X 1.25) | 1 |
| 10 | 89066A | Firebrick Pumice (4-1/2 X 9) | 18 |
| 11 | 891414A | Half Firebrick | 2 |

| Key | Part # | Description | Qty |
|-----|-----------|----------------------------|-----|
| 1 | 893240-US | Complete Door Handle | 1 |
| 2 | 891373 | Door Hinge Pad | 2 |
| 3 | 40585 | Large Viewing Glass Door | 1 |
| 4 | 88082 | 3/4" Round Rope Gasket-Blk | 1 |
| 5 | 892204 | Glass | 1 |
| 6 | 26314 | Gasket Clamp | 1 |
| 7 | 26312 | Side Glass Clamp | 4 |
| 8 | 26311 | Bottom Glass Clamp | 1 |



In order to maintain warranty, components must be replaced using original manufacturers parts purchased through your dealer or directly from the appliance manufacturer. Use of third party components will void the warranty.

Service Record

It is recommended that your heating system is serviced regularly and that the appropriate Service Interval Record is completed.

SERVICE PROVIDER

Before completing the appropriate Service Record below, please ensure you have carried out the service as described in the manufacturer's instructions. Always use the manufacturer's specified spare part when replacement is necessary.

| | |
|---|---|
| Service 01 | Date: _____ |
| Engineer Name: _____ | |
| License No.: _____ | |
| Company: _____ | |
| Telephone No.: _____ | |
| Stove Inspected: <input type="checkbox"/> | Chimney Swept: <input type="checkbox"/> |
| Items Replaced: _____ | |

| | |
|---|---|
| Service 02 | Date: _____ |
| Engineer Name: _____ | |
| License No.: _____ | |
| Company: _____ | |
| Telephone No.: _____ | |
| Stove Inspected: <input type="checkbox"/> | Chimney Swept: <input type="checkbox"/> |
| Items Replaced: _____ | |

| | |
|---|---|
| Service 03 | Date: _____ |
| Engineer Name: _____ | |
| License No.: _____ | |
| Company: _____ | |
| Telephone No.: _____ | |
| Stove Inspected: <input type="checkbox"/> | Chimney Swept: <input type="checkbox"/> |
| Items Replaced: _____ | |

| | |
|---|---|
| Service 04 | Date: _____ |
| Engineer Name: _____ | |
| License No.: _____ | |
| Company: _____ | |
| Telephone No.: _____ | |
| Stove Inspected: <input type="checkbox"/> | Chimney Swept: <input type="checkbox"/> |
| Items Replaced: _____ | |

| | |
|---|---|
| Service 05 | Date: _____ |
| Engineer Name: _____ | |
| License No.: _____ | |
| Company: _____ | |
| Telephone No.: _____ | |
| Stove Inspected: <input type="checkbox"/> | Chimney Swept: <input type="checkbox"/> |
| Items Replaced: _____ | |

| | |
|---|---|
| Service 06 | Date: _____ |
| Engineer Name: _____ | |
| License No.: _____ | |
| Company: _____ | |
| Telephone No.: _____ | |
| Stove Inspected: <input type="checkbox"/> | Chimney Swept: <input type="checkbox"/> |
| Items Replaced: _____ | |

| | |
|---|---|
| Service 07 | Date: _____ |
| Engineer Name: _____ | |
| License No.: _____ | |
| Company: _____ | |
| Telephone No.: _____ | |
| Stove Inspected: <input type="checkbox"/> | Chimney Swept: <input type="checkbox"/> |
| Items Replaced: _____ | |

| | |
|---|---|
| Service 08 | Date: _____ |
| Engineer Name: _____ | |
| License No.: _____ | |
| Company: _____ | |
| Telephone No.: _____ | |
| Stove Inspected: <input type="checkbox"/> | Chimney Swept: <input type="checkbox"/> |
| Items Replaced: _____ | |

HOW TO ORDER REPAIR PARTS / COMMANDE DE PIÈCES DE RECHANGE

THIS MANUAL WILL HELP TO OBTAIN EFFICIENT, DEPENDABLE SERVICE FROM THE HEATER, AND WILL ENABLE THE CORRECT REPAIR PARTS TO BE ORDERED.

KEEP IN A SAFE PLACE FOR FUTURE REFERENCE.

WHEN WRITING, ALWAYS GIVE THE FULL MODEL NUMBER WHICH IS ON THE NAMEPLATE ATTACHED TO THE BACK OF THE HEATER.

WHEN ORDERING REPAIR PARTS, ALWAYS GIVE THE FOLLOWING INFORMATION AS SHOWN IN THIS LIST /

CE GUIDE VOUS AIDERA À OBTENIR UN SERVICE EFFICACE ET FIABLE DE L'APPAREIL DE CHAUFFAGE ET VOUS PERMETTRA DE COMMANDER CORRECTEMENT DES PIÈCES DE RECHANGE.

VEUILLEZ CONSERVER CE GUIDE DANS UN ENDROIT SÛR À DES FINS DE RÉFÉRENCE.

LORSQUE VOUS NOUS ÉCRIVEZ, VEUILLEZ INDIQUER LE NUMÉRO COMPLET DU MODÈLE QUI FIGURE SUR LA PLAQUE SIGNALÉTIQUE DE L'APPAREIL DE CHAUFFAGE.

LORSQUE VOUS COMMANDEZ DES PIÈCES DE RECHANGE, VEUILLEZ TOUJOURS FOURNIR LES RENSEIGNEMENTS SUIVANTS, TELS QUE MONTRÉS DANS CETTE NOMENCLATURE:

1. The PART NUMBER / LE NUMÉRO DE PIÈCE _____

2. The PART DESCRIPTION / UNE DESCRIPTION DE LA PIÈCE _____

3. The MODEL NUMBER / LE NUMÉRO DE MODÈLE _____

4. The SERIAL NUMBER / LE NUMÉRO DE SÉRIE _____



United States Stove Company
PO Box 151, 227 Industrial Park Rd.,
South Pittsburg, TN 37380
PH: (800) 750-2723
www.usstove.com

Enregistrement De Service

Il est recommandé que votre système de chauffage est desservi régulièrement et que le Service Interval enregistrement est terminé.

FURNISSEUR DE SERVICES

Avant de terminer l'enregistrement de service approprié ci-dessous, s'il vous plaît vous assurer que vous avez effectué le service tel que décrit dans les instructions du fabricant. Toujours utiliser pièce de rechange indiquée par le fabricant lors de remplacement est nécessaire.

| | |
|-------|---|
| _____ | Service de 01 |
| _____ | Date: |
| _____ | Nom de l'ingénieur: |
| _____ | N° de licence: |
| _____ | Compagnie: |
| _____ | N° de téléphone: |
| _____ | Poêle inspecté: <input type="checkbox"/> Cheminée balayée: <input type="checkbox"/> |
| _____ | Articles Remplacé: _____ |

| | |
|-------|---|
| _____ | Service de 02 |
| _____ | Date: |
| _____ | Nom de l'ingénieur: |
| _____ | N° de licence: |
| _____ | Compagnie: |
| _____ | N° de téléphone: |
| _____ | Poêle inspecté: <input type="checkbox"/> Cheminée balayée: <input type="checkbox"/> |
| _____ | Articles Remplacé: _____ |

| | |
|-------|---|
| _____ | Service de 03 |
| _____ | Date: |
| _____ | Nom de l'ingénieur: |
| _____ | N° de licence: |
| _____ | Compagnie: |
| _____ | N° de téléphone: |
| _____ | Poêle inspecté: <input type="checkbox"/> Cheminée balayée: <input type="checkbox"/> |
| _____ | Articles Remplacé: _____ |

| | |
|-------|---|
| _____ | Service de 04 |
| _____ | Date: |
| _____ | Nom de l'ingénieur: |
| _____ | N° de licence: |
| _____ | Compagnie: |
| _____ | N° de téléphone: |
| _____ | Poêle inspecté: <input type="checkbox"/> Cheminée balayée: <input type="checkbox"/> |
| _____ | Articles Remplacé: _____ |

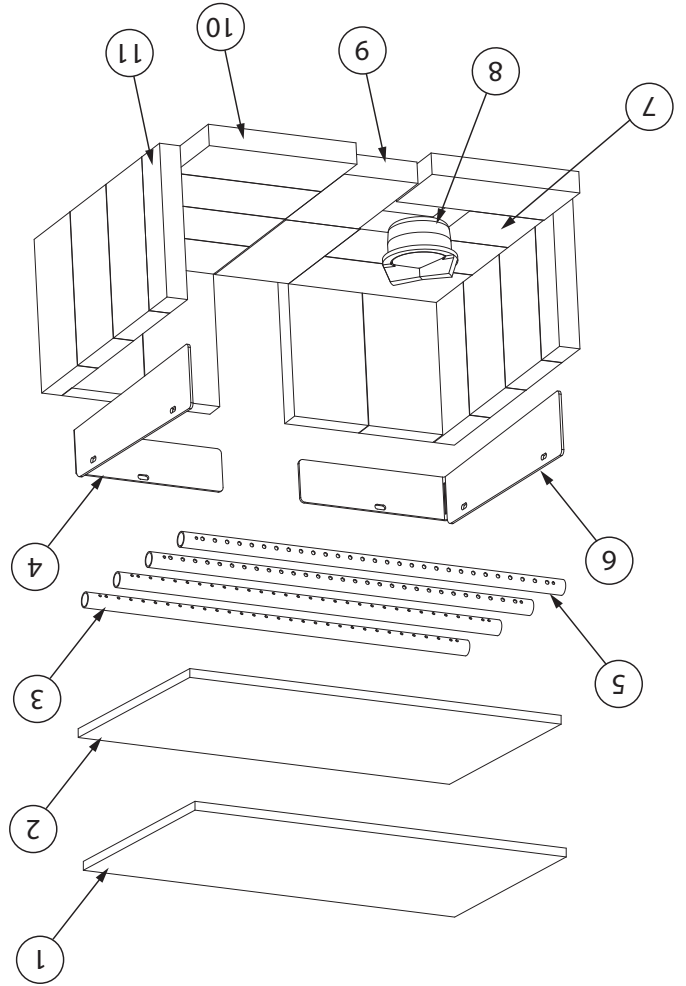
| | |
|-------|---|
| _____ | Service de 05 |
| _____ | Date: |
| _____ | Nom de l'ingénieur: |
| _____ | N° de licence: |
| _____ | Compagnie: |
| _____ | N° de téléphone: |
| _____ | Poêle inspecté: <input type="checkbox"/> Cheminée balayée: <input type="checkbox"/> |
| _____ | Articles Remplacé: _____ |

| | |
|-------|---|
| _____ | Service de 06 |
| _____ | Date: |
| _____ | Nom de l'ingénieur: |
| _____ | N° de licence: |
| _____ | Compagnie: |
| _____ | N° de téléphone: |
| _____ | Poêle inspecté: <input type="checkbox"/> Cheminée balayée: <input type="checkbox"/> |
| _____ | Articles Remplacé: _____ |

| | |
|-------|---|
| _____ | Service de 07 |
| _____ | Date: |
| _____ | Nom de l'ingénieur: |
| _____ | N° de licence: |
| _____ | Compagnie: |
| _____ | N° de téléphone: |
| _____ | Poêle inspecté: <input type="checkbox"/> Cheminée balayée: <input type="checkbox"/> |
| _____ | Articles Remplacé: _____ |

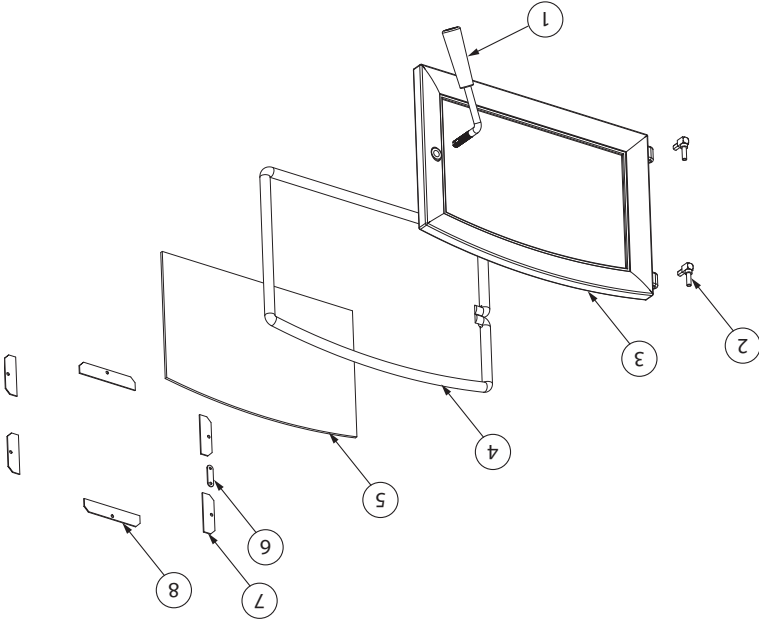
| | |
|-------|---|
| _____ | Service de 08 |
| _____ | Date: |
| _____ | Nom de l'ingénieur: |
| _____ | N° de licence: |
| _____ | Compagnie: |
| _____ | N° de téléphone: |
| _____ | Poêle inspecté: <input type="checkbox"/> Cheminée balayée: <input type="checkbox"/> |
| _____ | Articles Remplacé: _____ |

Pièces De Remplacement



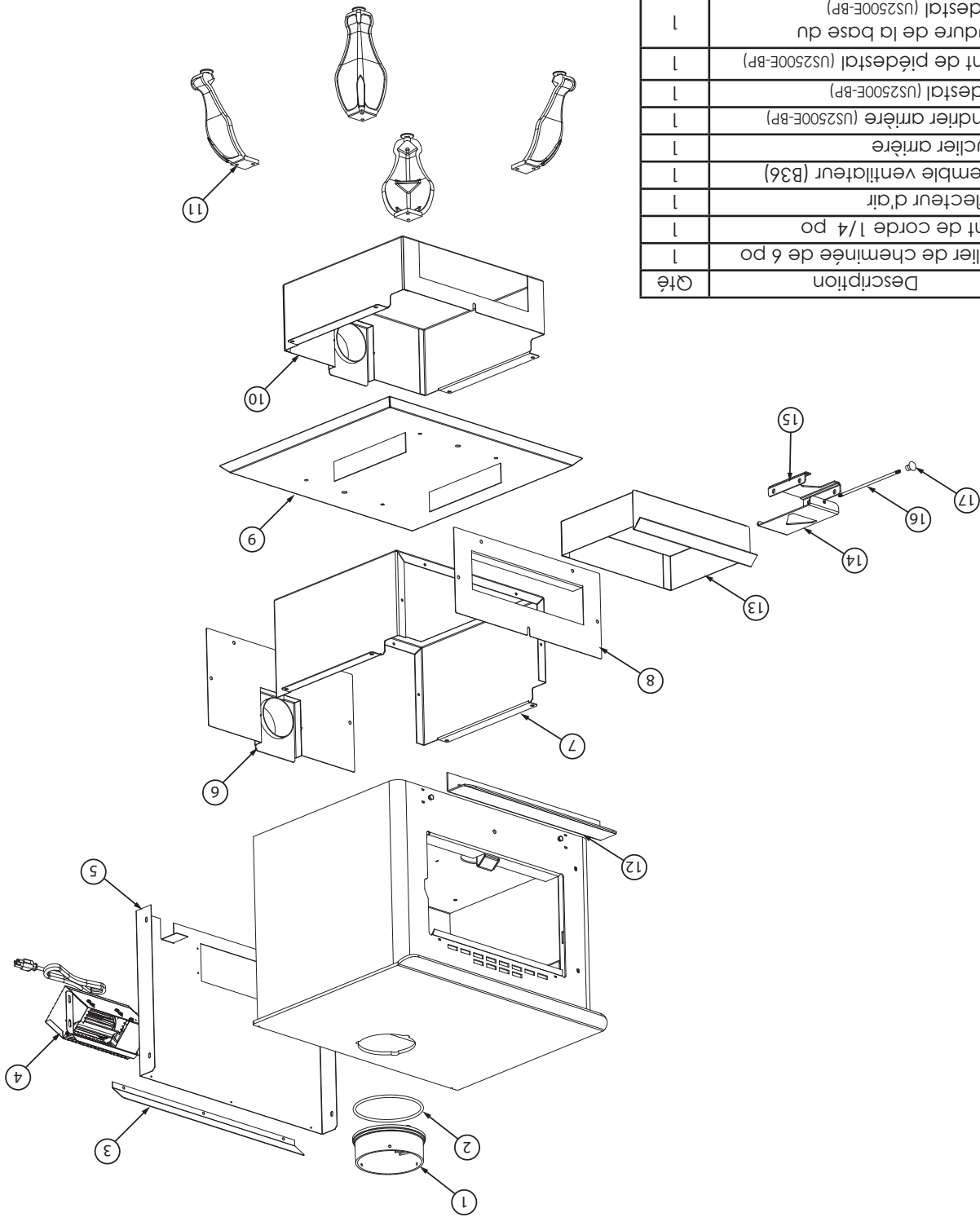
| Clé | Partie | Description | Qté |
|-----|---------|--|-----|
| 1 | 88325 | Couverture en laine Kao | 1 |
| 2 | 88138 | Panneau de fibres de céramique | 1 |
| 3 | 86643 | Tube à air secondaire (Ø5 / 32) | 2 |
| 4 | 29247 | Panneau de brique droit | |
| 5 | 86645 | Tube à air secondaire (Ø7 / 32) | 2 |
| 6 | 29248 | Panneau de brique gauche | 1 |
| 7 | 24103A | Demi pierre ponce brique réfractaire (4-1 / 2 x 4-1 / 2) | 1 |
| 8 | 40561 | Bouchon de cendre | 1 |
| 9 | 891530A | Brique réfractaire (4,5 x 7,5 x 1,25) | 1 |
| 10 | 89066A | Pierre ponce brique réfractaire (4-1 / 2 x 9) | 18 |
| 11 | 891414A | Demi brique réfractaire | 2 |

| Clé | Partie | Description | Qté |
|-----|-----------|---------------------------------|-----|
| 1 | 893240-US | Poignée de porte complète | 1 |
| 2 | 891373 | Patte de charnière de porte | 2 |
| 3 | 40585 | Grande porte vitrée | 1 |
| 4 | 88082 | Joint de corde ronde 3/4 - noir | 1 |
| 5 | 892204 | Verre | 1 |
| 6 | 26314 | Joint de serrage | 1 |
| 7 | 26312 | Pince de verre latérale | 4 |
| 8 | 26311 | Pince de verre inférieure | 1 |



POUR CONSERVER LA COUVERTURE DE LA GARANTIE, LES COMPOSANTS DOIVENT ÊTRE REMPLACÉS PAR DES PIÈCES D'ORIGINE DU FABRICANT ACHETÉS AUPRÈS DE VOTRE DÉPOSITAIRE OU DIRECTEMENT AUPRÈS DU FABRICANT DE L'APPAREIL. L'UTILISATION DE COMPOSANTS DE TIERS ANNULE LA GARANTIE.

Pièces De Remplacement



| Ciè | Partie | Description | Qté |
|-----|--------|--|-----|
| 1 | 40292A | Collier de cheminée de 6 po | 1 |
| 2 | 88042 | Joint de corde 1/4 po | 1 |
| 3 | 25845 | Détecteur d'air | 1 |
| 4 | 891492 | Ensemble ventilateur (B36) | 1 |
| 5 | 26060 | Bouclier arrière | 1 |
| 6 | 610926 | Cendrier arrière (US2500E-BP) | 1 |
| 7 | 29243 | Piédestal (US2500E-BP) | 1 |
| 8 | 29065 | Front de piédestal (US2500E-BP) | 1 |
| 9 | 610969 | Soudure de la base du piédestal (US2500E-BP) | 1 |
| 10 | 610968 | Logement Ashpan (US2500E-BL) | 1 |
| 11 | 40566 | Pied en fonte (US2500E-BL) | 4 |
| 12 | 25826 | Plaque de foyer | 1 |
| 13 | 29216 | Cendrier | 1 |
| 14 | 610068 | Soudure de glissière d'amortisseur | 1 |
| 15 | 610066 | Soudure de retenue de glissière | 1 |
| 16 | 86954 | Tige amortisseur | 1 |
| 17 | 891987 | Bouton en plastique | 1 |

POUR CONSERVER LA COUVERTURE DE LA GARANTIE, LES COMPOSANTS DOIVENT ÊTRE REMPLACÉS PAR DES PIÈCES D'ORIGINE DU FABRICANT ACHETÉS AUPRÈS DE VOTRE DÉPOSITAIRE OU DIRECTEMENT AUPRÈS DU FABRICANT DE L'APPAREIL. L'UTILISATION DE COMPOSANTS DE TIERS ANNULE LA GARANTIE.

AVERTISSEMENT:

Un feu de cheminée peut provoquer l'incendie de la cheminée. En cas d'incendie de cheminée, faites inspecter votre cheminée par un expert supposé être à une distance sûre de la cheminée.

ENLEVEMENT DES CENDRES ET LEUR DISPOSITION

Lorsque les cendres atteignent 8 à 10 cm (3 à 4 po) d'épaisseur dans votre boîte à feu ou bac à cendres, et que le feu est éteint et froid, retirez les cendres en excès. Laissez un lit de cendres d'environ 3 cm (1 po) d'épaisseur sur le fond de la boîte à feu pour aider à conserver une couche chaude de charbon.

Les cendres doivent être placées dans un récipient en métal recouvert d'un couvercle bien ajusté. Le récipient de cendres fermé doit être placé sur un plancher incombustible ou sur le sol, loin des matériaux combustibles, en attendant sa mise au rebut finale. Les cendres doivent être conservées dans le récipient fermé jusqu'à ce qu'elles aient pu complètement refroidir.

ATTENTION:

- LES CENDRES POURRAIENT CONTENIR DES EMBRES CHAUDES MÊME APRÈS DEUX JOURS SANS FAIRE FONCTIONNER LE POÊLE.
- LE CENDRIER PEUT DEVENIR TRÈS CHAUD. PORTER DES GANTS POUR PRÉVENIR LES BLESSURES.
- NE BRÛLEZ JAMAIS LE POÊLE AVEC LE PIÈGE À CENDRES OUVERT. CELA POURRAIT PROVOQUER PLUS DE CUISSON DU POÊLE. DES DOMMAGES AU POÊLE ET À UN MÊME INCENDIE PEUVENT EN RÉSULTER.

DÉTECTEURS DE FUMÉE ET DE CO

Le brûlage du bois produit naturellement des émissions de fumée et du monoxyde de carbone (CO). Le CO est un gaz poison lorsque l'exposition se fait à des concentrations élevées pour une période de temps prolongée. Bien que les systèmes de combustion modernes des chauffages réduisent de façon importante la quantité de CO émis par la cheminée, l'exposition aux gaz dans des endroits fermés ou clos peut être dangereuse. Assurez-vous que les joints d'étanchéité de votre poêle et les joints de la cheminée soient en bon état et qu'ils scellent correctement, évitant les expositions indésirables. Il est recommandé que vous utilisiez des détecteurs de fumée et de CO dans les zones où se trouve un potentiel de génération de CO.

ENTRETIEN VERRE

- Inspectez et nettoyez régulièrement la vitre pour détecter d'éventuelles fissures. Si vous en repérez, enseignez immédiatement le poêle. N'abusez pas de la porte vitrée en la claquant ou en la claquant. N'utilisez pas le poêle si le verre est cassé.
- Si le verre de votre poêle se brise, remplacez-le uniquement par le verre fourni par votre revendeur de chauffage. Ne remplacez jamais d'autres matériaux par le verre.
- Pour remplacer la vitre, retirez les vis retenant les moules en verre à l'intérieur de la porte. Retirez les moules et remplacez la pièce endommagée par une nouvelle. Effectuez la procédure à l'envers après l'avoir remplacé. Lors du remplacement de la vitre, vous devez changer le joint en verre pour vous assurer de le garder scellé.
- Ne lavez jamais la vitre avec un produit qui pourrait rayer. Utilisez un produit spécialisé, disponible dans les magasins où les poêles à bois sont vendus. Le verre ne doit être lavé qu'à froid.

ENTRETIEN DES JOINTS

La porte de cet appareil utilise un joint de corde de 3/4 po de diamètre. Il est recommandé de changer le joint de porte (qui rend la porte de votre poêle étanche à l'air) une fois par an, afin d'assurer un bon contrôle de la combustion, une efficacité et une sécurité maximales. Pour changer le joint de porte, retirez simplement celui qui est endommagé. Nettoyez soigneusement la rainure du joint disponible, appliquez un silicone haute température vendu à cet effet et installez le nouveau joint. Vous pouvez rallumer votre poêle environ 24 heures après avoir terminé cette opération.

AVERTISSEMENT:

N'UTILISEZ JAMAIS LE POÊLE SANS JOINT OU AVEC UN CASSÉ. DES DOMMAGES AU POÊLE OU À L'INCENDIE DE LA MAISON PEUVENT EN RÉSULTER.

ATTENTION:

Ce poêle à bois doit être inspecté et réparé périodiquement pour fonctionner correctement. Il est contraire à la réglementation fédérale de faire fonctionner ce poêle à bois d'une manière non conforme aux instructions d'utilisation de ce manuel.

- Briez toujours du bois sec. Cela permet des brûlures propres et des températures de cheminée plus élevées, donc moins de dépôt de crésote.
- Laissez le contrôle d'air complètement ouvert pendant environ 5 min. chaque fois que vous rechargez le poêle pour ramener à des températures de fonctionnement appropriées. La combustion secondaire ne peut avoir lieu que si le foyer est suffisamment chaud.
- Vérifiez toujours le dépôt de crésote une fois tous les deux mois et faites nettoyer votre cheminée au moins une fois par an.
- En cas d'incendie de cheminée ou de crésote, fermez immédiatement tous les registres. Attendez que le feu s'éteigne et que le chauffe-eau refroidisse, puis inspectez la cheminée pour déceler tout dommage. Si aucun dommage ne se produit, effectuez un nettoyage de cheminée pour vous assurer qu'il ne reste plus de dépôts de crésote dans la cheminée.

POUR ÉVITER LA CONSTRUCTION DE CRÉSOTE

Lorsque le bois est brûlé lentement, il produit du goudron et d'autres vapeurs organiques, qui se combinent avec l'humidité expulsée pour former de la crésote. Les vapeurs de crésote se condensent dans le conduit de cheminée relativement frais d'un feu à combustion lente. Par conséquent, des résidus de crésote s'accumulent sur le revêtement du conduit de fumée. Lorsqu'elle est allumée, cette crésote fait un feu extrêmement élevé. Le raccord de cheminée et la cheminée doivent être inspectés au moins une fois tous les deux mois pendant la saison de chauffage pour déterminer si une accumulation de crésote s'est produite. Si la crésote s'est accumulée (3 mm ou plus), elle doit être retirée pour réduire le risque d'incendie de cheminée.

Nous vous recommandons fortement d'installer un thermomètre magnétique sur votre tuyau d'échappement de fumée, à environ 18 po au-dessus du poêle. Ce thermomètre indiquera la température de vos fumées d'échappement de gaz dans le système d'évacuation des fumées. La température idéale pour ces gaz se situe entre 275°F et 500°F. En dessous de ces températures, l'accumulation de crésote est favorisée. Au-dessus de 500°F, la chaleur est perdue car une trop grande quantité est perdue dans l'atmosphère.

FORMATION DE CRÉSOTE ET BESOIN D'ENLEVEMENT

Les feux à combustion lente pour une utilisation prolongée ou la combustion de bois vert peuvent provoquer une accumulation excessive de crésote. L'allumage de la crésote ou la surchauffe peuvent provoquer un feu de cheminée. Les feux de cheminée brûlent extrêmement chaud et peuvent enflammer les matériaux combustibles environnants. En cas d'incendie de cheminée, appelez immédiatement le service d'incendie.

AVERTISSEMENT:

Ne pas surchauffer l'appareil. Vous surchauffez si une partie quelconque de l'appareil s'allume en rouge. Fermez la porte et fermez immédiatement le registre pour réduire l'alimentation en air et ralentir le feu.

AVERTISSEMENT:

Entretien De La Cheminée

La soufflerie à vitesse variable circule l'air réchauffé par l'insert dans les pièces à vivre afin de distribuer la chaleur de manière plus égale. Le bouton de contrôle de la soufflerie est situé sur le côté de son enveloppe. Tournez le bouton dans le sens des aiguilles d'une montre pour allumer la soufflerie. La vitesse est contrôlée en tournant le bouton dans le sens des aiguilles d'une montre pour les vitesses plus lentes et dans le sens inverse des aiguilles d'une montre pour les vitesses plus rapides. Pour éteindre la soufflerie, tournez complètement le bouton de contrôle de vitesse dans le sens inverse des aiguilles d'une montre. Il est recommandé d'éteindre la soufflerie quand l'insert n'est pas utilisé.

FONCTIONNEMENT DE LA SOUFFLERIE

Les conduits d'air assemblés dans cette unité sont conçus pour offrir un mélange précis d'air secondaire et assurer une plus grande efficacité. Tout dommage ou détérioration de ces conduits peuvent réduire l'efficacité de la combustion. Les conduits d'air sont maintenus en position par des vis ou par des goupilles de blocage. Localisez et enlevez-les des deux côtés du conduit pour le retirer et le remettre en place.

CONDUITS D'AIR

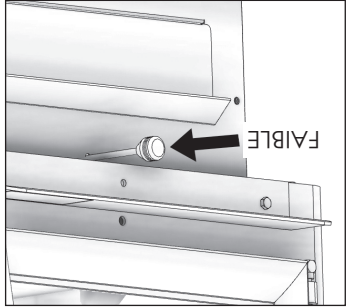
Le bois qui n'a pas été correctement séché et qui a une teneur élevée en humidité produira un excès de fumée visible et brûlera mal. Apprenez à régler les paramètres d'air de votre unité spécifique pour produire la plus petite quantité de fumée visible. La quantité de fumée visible produite peut être une méthode efficace pour déterminer l'efficacité du processus de combustion aux paramètres donnés. La fumée visible est constituée de combustible non brûlé et d'humidité sortant de votre poêle. Apprenez à régler les paramètres d'air de votre unité spécifique pour produire la plus petite quantité de fumée visible et brûlera mal.

FUMÉE VISIBLE

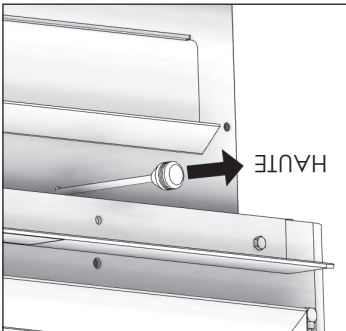
1. Une fois que vous avez obtenu un bon lit de braises, vous devez recharger l'unité. Pour ce faire, ouvrez les commandes d'air au maximum quelques secondes avant d'ouvrir la porte du poêle.
 2. Ouvrez la porte très lentement; ouvrez-le d'un ou deux pouces pendant 5 à 10 secondes, avant de l'ouvrir complètement pour augmenter le tirage et ainsi éliminer la fumée qui stagne en état de combustion lente dans le poêle.
 3. Râteau les braises incandescentes à l'avant du poêle. Ajoutez du carburant en faisant attention de ne pas surcharger ou surchauffer l'appareil. Lors de l'ajout de carburant, veillez à ne pas étouffer le feu. Ne faites pas de feu contre le verre et assurez-vous que les braises n'obstruent pas l'entrée d'air. Ne laissez pas les bûches rouler et heurter la vitre.
- REMARQUE: Pour un fonctionnement optimal de cet appareil, il est recommandé de le faire fonctionner avec une charge de bois approximativement équivalente à la hauteur des bûches réfléchies. Il est important de noter que la combustion du bois consomme de l'oxygène ambiant dans la pièce. En cas de pression négative, c'est une bonne idée de laisser entrer de l'air frais dans la pièce, soit en ouvrant légèrement une fenêtre, soit en installant un système d'admission d'air frais sur un mur extérieur.
4. Fermez la porte d'alimentation et fixez-la fermement.
 5. Réglez la commande d'entrée d'air comme décrit dans la section «Instructions de remplissage» de ce manuel.
 6. Videz les cendres régulièrement. Ne laissez pas les cendres s'accumuler. Éliminez correctement les cendres chaudes (voir la section «Élimination et élimination des cendres» de ce manuel).
 7. Brûlez de petits feux intenses au lieu de grands feux à combustion lente lorsque cela est possible. Les grands feux à combustion lente peuvent déposer de la crotte dans le système de chauffage.
 8. Apprenez les caractéristiques de fonctionnement de votre appareil pour obtenir des performances optimales.

AJOUT DE CARBURANT

- AVERTISSEMENTS:
- NE JAMAIS SURCHAUFFER VOTRE POÊLE. SI UNE PARTIE DU POÊLE COMMENCE À LUMIÈRE ROUGE, PLUS DE CUISSON ARRIVE. RÉAJUSTEZ LA COMMANDE D'ADMISSION D'AIR À UN RÉGLAGE PLUS BAS.
 - L'INSTALLATION D'UN BERCEAU À BÛCHES OU DE GRILLES N'EST PAS RECOMMANDÉE DANS VOTRE POÊLE À BOIS. CONSTRUISEZ LE FEU DIRECTEMENT SUR FIREBRICK.
 - NE METTEZ JAMAIS DE BOIS AU-DESSUS DE LA DOUBLURE DU FEU DE FEU.
 - LES TENTATIVES POUR ATTEINDRE DES DÉBITS DE CHALEUR SUPÉRIEURS AUX SPÉCIFICATIONS DE CONCEPTION DU RÉCHAUFFEUR PEUVENT ENTRAÎNER DES DOMMAGES PERMANENTS AU RÉCHAUFFEUR.



Pour un réglage de combustion faible une fois que la charge de combustible à combustion élevée (ou moyenne) est brûlée dans un lit de charbon établi, chargez l'unité avec 32 lb de bois de corde et fermez la porte immédiatement. Laissez le contrôle d'air complètement ouvert (en position «Hi») pendant 4,5 minutes puis fermez à mi-course. Après 15 minutes, commencez à pousser le contrôle d'air en position «Low» (contrôle d'air complètement enfoncé). REMARQUE: Ne fermez pas l'air trop rapidement. Fermer l'air trop rapidement entraînera la fumée de l'appareil.



Après la première charge de combustion élevée et le poêle bien réchauffé, réglez l'unité au besoin pour un réglage de combustion moyen ou faible. Pour une combustion moyenne, une fois que la charge de combustible à combustion élevée est brûlée jusqu'à un lit de charbon établi, chargez l'unité avec 34 lb de bois de corde et fermez la porte immédiatement. Laissez le contrôle d'air complètement ouvert (en position «Hi») pendant 5 minutes. Après 5 minutes, poussez le contrôle d'air en position moyenne (à mi-chemin entre la position «Low» et «Hi»).

Après complètement la commande d'air. Allumez le journal et laissez la porte légèrement ouverte pendant environ une minute. REMARQUE: Vous devrez peut-être le laisser ouvert un peu plus longtemps, selon la hauteur de votre cheminée et les conditions extérieures. Après environ une minute (ou une fois que votre feu est bien allumé) fermez la porte et laissez le petit bois s'enflammer. Une fois que le bois d'allumage a brûlé jusqu'à un lit de charbon de démarrage, chargez l'unité avec environ 29 lb de carburant pour la première charge de combustion élevée.



ALTÉRER AVERTISSEMENT

Ce chauffage au bois a un taux de combustion minimum réglé à la fabrication, et qui ne peut être modifié. La modification de ce réglage ou une utilisation autre de ce chauffage au bois qui ne respecterait pas les directives du présent manuel contrevient aux réglementations fédérales.

EFFICACITÉ

Les rendements peuvent être basés sur la valeur calorifique inférieure (LHV) ou la valeur calorifique supérieure (HHV) du combustible. La valeur calorifique inférieure est lorsque l'eau quitte le processus de combustion sous forme de vapeur, dans le cas des poêles à bois, l'humidité du bois brûlé quitte le poêle sous forme de vapeur. Le pouvoir calorifique supérieur est lorsque l'eau quitte le processus de combustion complètement condensée. Dans le cas des poêles à bois, cela supposerait que les gaz d'échappement sont à température ambiante à la sortie du système, et donc les calculs utilisant cette valeur de chauffage considèrent la chaleur qui monte dans la cheminée comme une énergie perdue. Par conséquent, l'efficacité calculée en utilisant le pouvoir calorifique supérieur du bois sera supérieure à l'efficacité calculée en utilisant le pouvoir calorifique supérieur. La meilleure façon d'atteindre des rendements optimaux est d'apprendre les caractéristiques de combustion de votre appareil et de brûler du bois bien séché. Des taux de combustion plus élevés ne sont pas toujours les meilleurs taux de combustion par chauffage; après avoir établi un bon feu, un taux de combustion inférieur peut être une meilleure option pour un chauffage efficace. Un taux de combustion inférieur ralentit le flux de chaleur utilisable hors de la maison par la cheminée, et il consomme également moins de bois.

NOTIFICATION - LES PREMIERS FEUX POUR SÉCHER LA PEINTURE

À CAUSE DES HAUTES TEMPÉRATURES ATTEINTES LORS DU FONCTIONNEMENT, CET APPAREIL EST REVÊTU D'UNE PEINTURE SPÉCIALE CONÇUE POUR LES HAUTES TEMPÉRATURES. ELLE EXIGE UNE SÉRIE DE FEUX À INTENSITÉ BASSE ET MOYENNE POUR SÉCHER ENTièrement ET AINSI GARANTIR LA DURABILITÉ ET LA VIE DE SERVICE.

Le séchage correct de la peinture à haute température exige une série de trois feux initiaux. L'appareil devrait être refroidi entre chaque feu. Les deux premiers feux devraient être des petits feux à température basse (250°F) pour une durée de 20 minutes chacun. Le troisième feu devrait être à une température moyenne (500°F à 700°F) pendant 20 minutes. Aérez de façon suffisante pour éliminer la fumée ou les odeurs causées par ces feux.

Remarque: utilisez uniquement du bois de chauffage solide! Ne brûlez pas les ordures ou les liquides inflammables. N'utilisez pas de charbon. Cet appareil n'est pas conçu pour accueillir le débit d'air (tirage) requis pour brûler correctement le charbon ou les produits du charbon. Ne pas élever le feu à l'aide de grilles ou de fers. Construisez le feu directement sur la brique réfractaire.

INSTRUCTIONS DE RAVITALEMENT

Ce poêle à bois a été certifié par l'US EPA pour répondre aux strictes directives 2020. Pour garantir que cet appareil produit les émissions minimales optimales, il est essentiel que seul du bois de cordon bien séché soit brûlé (voir la section «Recommandations de carburant») de ce manuel). La combustion de bois humide non séché ne fait que nuire à l'efficacité de vos poêles et entraîne une accumulation accélérée de créosote dans votre cheminée. Soyez respectueux de l'environnement et ne brûlez que du bois sec.

ATTENTION: ne laissez pas l'appareil sans surveillance avec la porte ouverte.

Pour un démarrage à froid, placez 4 à 5 morceaux de papier journal dans le foyer. Sur le papier journal, déposez 4 lb de bois d'allumage dans un emplacement à côté pour assurer la circulation de l'air à travers le bois d'allumage. Sur le bois d'allumage, placez environ 7 lb de petits morceaux de bois de corde. REMARQUE: Utilisez des morceaux de bois plus petits pendant le démarrage et un taux de combustion élevé pour augmenter la température du poêle.



Instructions D'utilisation Du Bois

ATTENTION: Danger de risques d'incendie domestique ne stockez pas le bois sur la plaque de protection, dessous les tuyaux de l'insert le cas échéant, ou n'importe où dans les dégagements spécifiés pour cet appareil.

PRÉCAUTIONS DE SÉCURITÉ LORS DE L'UTILISATION

- Ne surchauffez jamais cet appareil en faisant des feux excessivement chauds car cela pourrait causer l'incendie de la maison/bâtiment. Vous surchauffez l'appareil s'il devient rouge.
- Ne faites jamais de feux excessivement grands dans ce type d'appareil car cela pourrait causer des dommages à l'insert ou des fuites de fumée.
- Ne construisez pas le feu trop près du verre.
- Surfaces chaudes durant son utilisation tenez les enfants, les vêtements et les meubles éloignés. Contact peut causer des brûlures cutanées. Ne touchez l'appareil que lorsqu'il a refroidi.
- Fournissez une quantité suffisante d'air pour la combustion dans la pièce où l'appareil est installé.
- Inspectez le conduit/gaine de cheminée tous les 60 jours. Remplacez le conduit/gaine tout de suite s'il y a des signes de rouille ou de fuite de fumée dans la pièce.

AVERTISSEMENT: RISQUE D'EXPLOSION

- N'utilisez jamais de produits chimiques, essence, carburant de lanterne de type essence, kérosène, liquides d'allumage rapide pour charbon ou fluides similaires inflammables pour commencer ou bien attiser un feu dans l'appareil.
- Gardez les liquides inflammables, surtout l'essence, éloignés de l'appareil – que ce soit dans un but d'utilisation ou de stockage.

Notification: N'utilisez que du bois ! Ne brûlez pas les ordures ou des liquides inflammables. N'utilisez pas de charbon. Cet appareil n'est pas conçu pour accommoder le débit d'air (le tirage) requis pour brûler convenablement du charbon ou des produits issus du charbon. N'utilisez pas de grilles ou de porte-bûches pour surélever le feu. Construisez le feu directement sur les briques réfractaires.

UTILISATION DU POËLE À BOIS

NE PAS BRÛLER:

1. Des ordures;
 2. Des déchets de tonte ou résidus de jardin;
 3. Des matériaux contenant du caoutchouc, incluant les pneus;
 4. Matériaux contenant du plastique;
 5. Des déchets de produits du pétrole, des peintures ou diluants à peinture, ou des produits d'asphalte;
 6. Matériaux contenant de l'amiante;
 7. Débris de construction ou de démolition;
 8. Traverses de voie ferrée ou bois traité sous pression;
- Le brûlage de ces matériaux peut causer des émissions de fumées toxiques ou rendre le chauffage inefficace en raison de la fumée. Le bois mort tombé des arbres doit être considéré comme étant mouilli et doit donc être séché. Le bois mort peut normalement être considéré comme sec à 66 %. Fendre et remplir le bois avant de l'entreposer accélère son séchage. Entrez le bois sur une surface surélevée du sol et sous un espace abrité de la pluie ou de la neige, accélérera le temps de séchage. Un bon indicateur pour savoir si le bois est prêt à brûler est de vérifier les extrémités du morceau. Si elles sont fendues de tous parts à partir du centre, le bois devrait donc être suffisamment sec. Si votre bois grésille quand il brûle, même si la surface est sèche, il pourrait ne pas être entièrement sec et devrait être laissé à sécher plus longtemps.
- Ne pas brûler les bûches fabriquées à partir de sciure imprégnée de cire ou de bûches avec des additifs chimiques. Les bûches fabriquées à partir de sciure de bois compressée à 100% peuvent être brûlées, mais faites attention à brûler trop de ces bûches en même temps. Commencez avec une bûche fabriquée et voyez comment le poêle réagit. Vous pouvez augmenter le nombre de bûches brûlées à la fois pour vous assurer que la température ne dépasse jamais 246°C (475°F) sur un thermomètre magnétique pour une installation sur des tuyaux de poêle à paroi simple ou 482°C (900°F) sur sonde thermométrique pour l'installation sur un tuyau de poêle à double paroi. Le thermomètre doit être placé à environ 18 po (457 mm) au-dessus du poêle. Des températures plus élevées peuvent entraîner une surchauffe et endommager votre poêle.



Recommandations Pour Les Combustibles

UTILISATION DE L'INSERT À BOIS

Votre appareil de chauffage a été conçu pour ne brûler que du bois ; aucun autre combustible ne doit être utilisé. Les déchets et autres matériaux inflammables ne doivent pas être brûlés dans votre insert. N'importe quelle variété de bois peut être utilisée dans votre insert mais certaines ont de meilleurs rendements énergétiques que d'autres. Veuillez consulter s'il vous plaît le tableau suivant pour faire le meilleur choix possible.

| Variété | Poids (lbs.cu3) | Par corde | Coefficient d'efficacité | Niveau de difficulté de la coupe | Millions de BTU/corde |
|-----------------------|-----------------|-----------|--------------------------|----------------------------------|-----------------------|
| Hickory | 63 | 4500 | 1,0 | Bien | 31,5 |
| Chêne blanc | 48 | 4100 | 0,9 | Moyen | 28,6 |
| Chêne rouge | 46 | 3900 | 0,8 | Moyen | 27,4 |
| Hêtre | 45 | 3800 | 0,7 | Difficile | 26,8 |
| Erable à sucre | 44 | 3700 | 0,6 | Moyen | 26,2 |
| Chêne des teinturiers | 43 | 3700 | 0,6 | Moyen | 25,6 |
| Frêne | 42 | 3600 | 0,5 | Bien | 25,0 |
| Bouleau jaune | 40 | 3400 | 0,4 | Difficile | 23,8 |
| Erable rouge | 38 | 3200 | 0,3 | Moyen | 22,6 |
| Bouleau à papier | 37 | 3100 | 0,3 | Facile | 22,1 |
| Orme/Sycamore | 34 | 2900 | 0,2 | Très difficile | 20,1 |
| Épicéa rouge | 29 | 1800 | 0,1 | Facile | 16,1 |

Il est EXTREMEMENT IMPORTANT DE N'UTILISER QUE DU BOIS SEC dans votre insert à bois. Le bois aurait dû sécher pendant 9 à 15 mois, tel que le pourcentage d'humidité est inférieur à 20% du poids de la bûche. Il est aussi très important de noter que du bois, coupé 2-3 ans auparavant et voir plus, n'est pas nécessairement sec s'il a été stocké dans de mauvaises conditions. Dans des conditions extrêmes, le bois peut même pourrir au lieu de sécher. On ne saurait trop souligner que la vaste majorité des problèmes liés au fonctionnement d'un insert à bois est causée par le fait que le bois utilisé était trop humide ou avait séché dans de mauvaises conditions. Ces problèmes peuvent être :

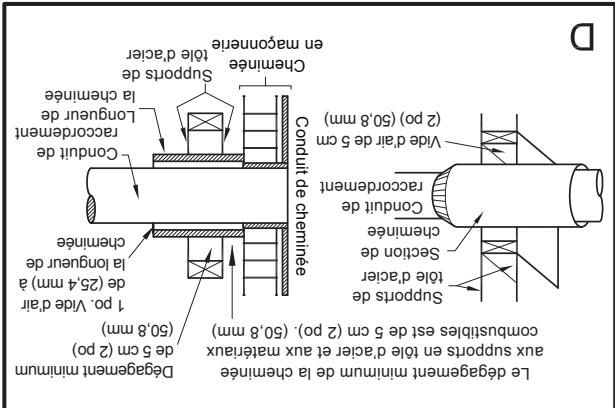
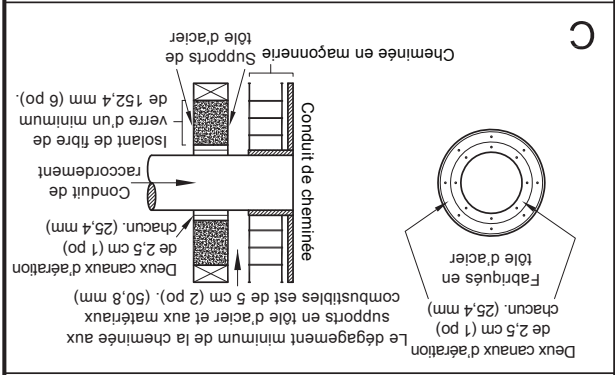
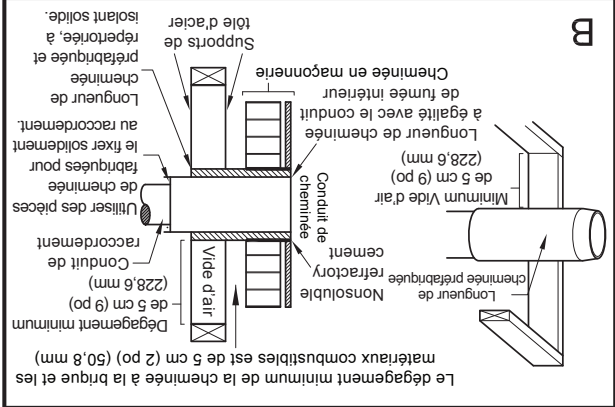
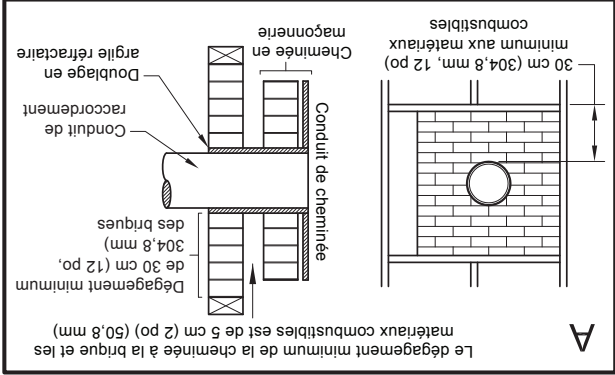
- problèmes d'allumage ;
- accumulation de créosote causant des incendies de cheminée ;
- rendement énergétique bas ;
- fenêtres noircies ;
- combustion incomplète du bois.

Les morceaux de bois plus petits sécheront plus rapidement. Toute bûche ayant un diamètre supérieur à 15 cm devrait être fendue. Le bois ne devrait pas être stocké à même le sol. Il devrait y avoir une bonne circulation de l'air à travers la corde de bois. Un espace d'air de 0,6 à 1,2 m devrait être prévu entre chaque rangée de bûches et un emplacement le plus ensoleillé possible devrait être choisi. La rangée supérieure de bois devrait être protégée des éléments mais pas les côtés.

ESSAYEZ VOTRE BOIS

Quand la totalité de l'insert est complètement chauffé, placez un morceau de bois (diamètre approximatif de 10 cm) parallèle à la porte sur le lit de braises ardentes. Ouvrez complètement le contrôle d'air et fermez la porte. Si l'embranchement du morceau est accompli dans les 90 premières secondes après son introduction dans l'insert, votre bois est correctement séché. Si ce temps est plus long, votre bois est humide. Si votre bois siffle et de l'eau ou des vapeurs s'échappent aux extrémités de la bûche, votre bois est trempé ou a été coupé récemment (bois vert). N'utilisez pas ce bois dans votre insert car de grandes quantités de créosote pourraient se déposer dans votre cheminée, créant ainsi les conditions potentielles pour un incendie de cheminée.

PASSAGES DE RACCORDEMENT DE CHEMINÉE À TRAVERS UNE PAROI COMBUSTIBLE

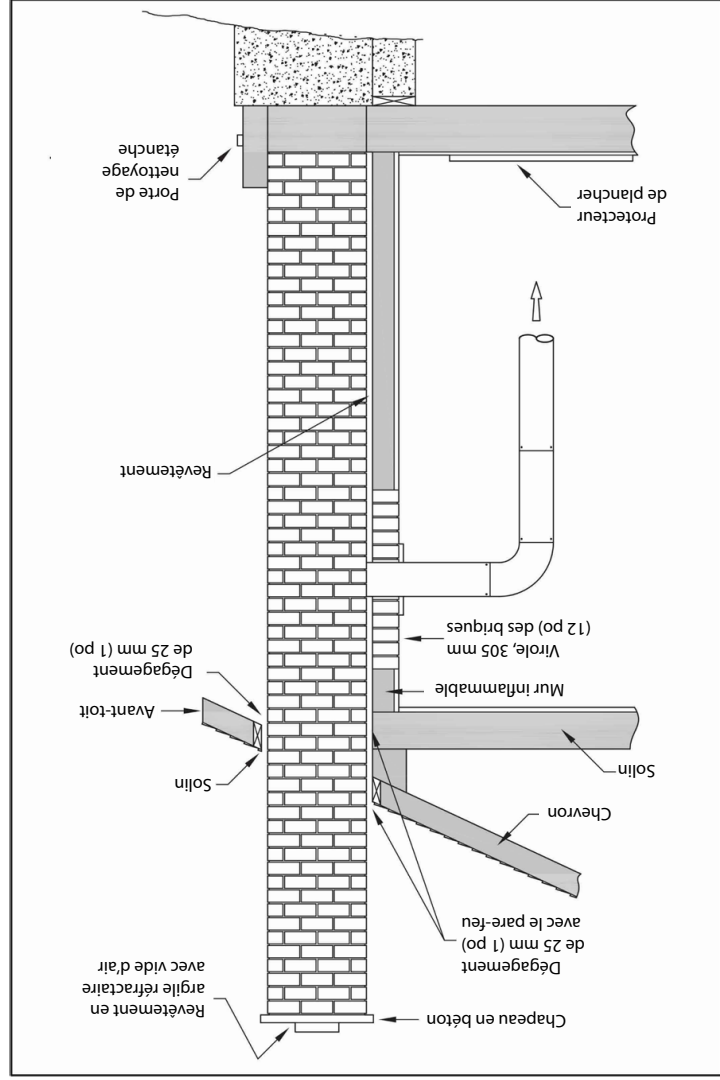


Méthode A. Dégagement de 12 po (304,8 mm) avec un membre de paroi combustible: En utilisant des briques d'une épaisseur minimale de 5/8 po (15,9 mm), construisez un passage à travers la paroi. Le revêtement en argile doit être conforme à l'ASTM C315 (spécification standard des revêtements réfractaires en argile) ou son équivalent. Maintenez un minimum de 12 po (304,8 mm) de maçonnerie en briques entre le revêtement en argile et les matériaux combustibles de la paroi. Le revêtement en argile devra s'étendre de la surface extérieure de la maçonnerie en briques jusqu'à la surface intérieure du revêtement du carneau de la cheminée mais pas au-delà de la surface intérieure. Coulez ou cimenter fermement le revêtement en argile en place dans le revêtement du carneau de la cheminée.

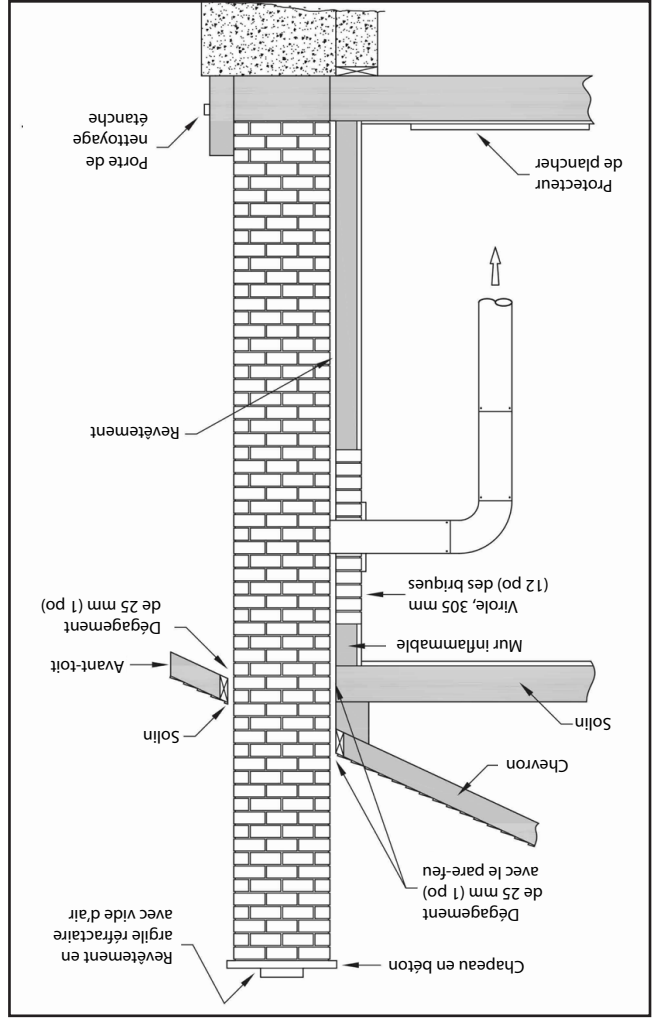
Méthode B. Dégagement de 9 po (228,6 mm) avec un membre de paroi combustible: En utilisant une partie de cheminée Solid-Pak avec une isolation de 1 po (25,4 mm) ou plus, construisez un passage à travers la paroi avec une couche d'air de 9 po (228,6 mm) minimum entre la paroi extérieure de la longueur de la cheminée et les matériaux combustibles de la paroi. Utilisez des supports en tôle fixés de façon sûre aux surfaces de la paroi sur tous les côtés afin de maintenir une couche d'air de 9 po (228,6 mm). Lors de la fixation des supports sur la cheminée (la paroi intérieure de la cheminée Solid-Pak). L'extrémité du revêtement de la section de la cheminée Solid-Pak devra affleurer l'intérieur du carneau de la cheminée en maçonnerie, et être scellée avec un ciment rétractaire non soluble dans l'eau. Utilisez ce ciment pour également calfeutrer la pénétration de la maçonnerie en briques.

Méthode C. Dégagement de 6 po (152,4 mm) avec un membre de paroi combustible: En commençant avec un raccord de cheminée métallique de 6 po (152,4 mm) de calibre 24 (0,024 po [0,61 mm]), et un manchon mural ventilé de calibre 24 minimum ayant deux conduits d'air de 1 po (25,4 mm) chacun, construisez un passage à travers la paroi. Il devra y avoir une zone de séparation de 6 po (152,4 mm) minimum contenant une isolation en fibre de verre, à partir de la surface extérieure du manchon mural jusqu'aux matières combustibles de la paroi. Soutenez le manchon mural et couvrez son ouverture avec un support métallique en tôle de calibre 24 minimum. Maintenez un espace de 6 po (152,4 mm). Il devra également y avoir un support dimensionné pour adapter et maintenir le raccord de cheminée métallique. Vérifiez que les supports soient fixés de façon sûre aux surfaces de la paroi sur tous les côtés. Assurez-vous que les éléments de fixation utilisés pour maintenir le raccord de cheminée métallique ne pénétront pas dans le revêtement du carneau de la cheminée.

Méthode D. Dégagement de 2 po (50,8 mm) avec un membre de paroi combustible: Commencez avec une partie de cheminée Solid-Pak fabriquée en usine, agrée, d'au moins 12 po (304 mm) de diamètre intérieur avec une isolation de 1 po (25,4 mm) ou plus, et un raccord de cheminée de 8 po de diamètre intérieur (de 2 pouces [51 mm] plus grand que celui de 6 po [152,4 mm]). Utilisez cette-ci comme passage pour un raccord de cheminée métallique pour paroi unique de calibre 24 minimum. Maintenez la section concentrique solid-pak avec le raccord de la cheminée et à une distance de 1 po (25,4 mm) de ce dernier grâce aux platines-supports en tôle situées aux deux extrémités de la section de la cheminée. Couvrez l'ouverture et soutenez la section de la cheminée de façon sûre aux côtés à l'aide de supports métalliques en tôle de calibre 24 minimum. Vérifiez que les supports soient fixés de façon sûre aux surfaces de la paroi sur tous les côtés. Assurez-vous des éléments de fixation utilisés pour maintenir le conduit de carneau de la cheminée. REMARQUES: Les raccords d'une cheminée de maçonnerie, sauf ceux de la méthode B, devront s'étendre sur une section continue à travers le système de passage mural et la paroi de la cheminée, jusqu'à la surface du revêtement intérieur du carneau mais sans le dépasser. Un raccord de cheminée ne devra pas passer à travers un grenier ou un espace du toit, des toillettes ou des espaces confinés similaires, un plancher ou un plafond.



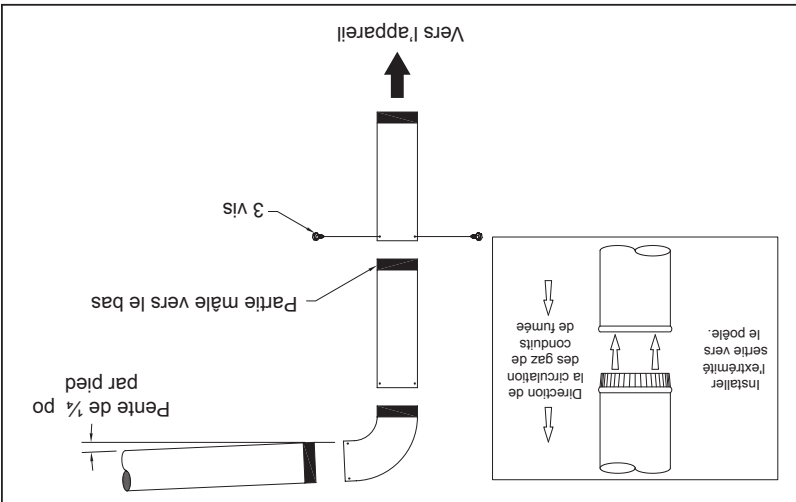
CHEMINÉE EN MAÇONNERIE:
 Assurez-vous qu'une cheminée en maçonnerie réponde aux standards minimum de l'Association nationale de protection contre les incendies (NFPA) en la faisant inspecter par un professionnel. Assurez-vous qu'il n'y ait pas de fissures, de mortiers perdus ou d'autres signes de détérioration et de blocage. Faites nettoyer la cheminée avant d'installer et de faire fonctionner le poêle. Lors du raccordement du poêle à travers une paroi combustible vers une cheminée en maçonnerie, des méthodes spéciales sont requises.



CHEMINÉE FABRIQUÉE EN USINE
 Lorsqu'une cheminée métallique préfabriquée est utilisée, les instructions d'installation du fabricant doivent être respectées. Vous devez également acheter (auprès du même fabricant) et installer l'ensemble de support du toit ou le passage du toit et l'ensemble de la partie en "T", des coupe-feux (si nécessaires), un écran d'isolation, un chaperon de toiture, un chapeau de cheminée, etc. Maintenez un dégagement approprié avec la structure tel que recommandé par le fabricant. La cheminée doit avoir la hauteur requise au-dessus du toit ou d'autres obstructions pour des raisons de sécurité et un bon tirage.

RACCORD DE CHEMINÉE (TUYAU PUSSE)

Votre raccord de cheminée et votre cheminée doivent avoir le même diamètre que la sortie du poêle (6 po). Si ce n'est pas le cas, nous vous recommandons de contacter votre vendeur afin de vous assurer qu'il n'y aura aucun problème de tirage. Le tuyau de poêle doit être fabriqué dans un acier aluminisé ou laminé à froid d'une épaisseur minimale de 0,021 po ou 0,53 mm. Il est strictement interdit d'utiliser un acier galvanisé. Votre tuyau de fumée devra être assemblé de telle sorte que la partie mâle (extrémité serrée) du tuyau pointe vers le bas. Fixez chacune des parties à une autre avec trois vis à tôle équidistantes. Le tuyau horizontalement doit avoir une pente d'au moins 1/4 de pouces par pied, avec l'extrémité supérieure de la partie dirigée vers la cheminée. Une installation avec une section horizontale de tuyau de cheminée doit être courbée vers le bas.

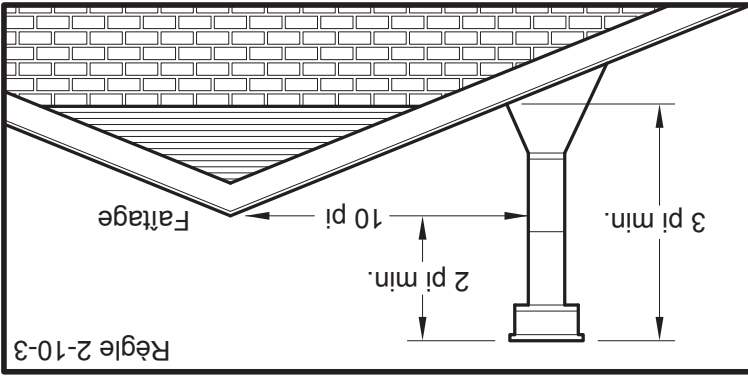


IMPORTANT D'UN TIRAGE ADÉQUAT

Le tirage est une force déplaçant l'air de l'appareil vers la cheminée. La quantité de tirage dans votre cheminée dépend de la longueur de la cheminée, son emplacement géographique local, les obstructions à proximité et d'autres facteurs. Trop de tirage peut causer des températures excessives dans l'appareil et pourrait l'endommager. Un tirage inadéquat peut causer des retours de fumée dans la pièce et causer l'obstruction de la cheminée. Un tirage inadéquat causera des fuites de fumée par l'appareil dans la pièce, s'infiltrant par l'appareil, et les joints du conduit de raccordement. Un brûlage incontrôlable ou une température excessive indique un tirage excessif.

CHEMINÉE

Tenez compte de l'emplacement de la cheminée pour veiller à ce qu'elle ne soit pas trop près des voisins ou dans une vallée pouvant causer des conditions malsaines ou nuisibles. Votre poêle à bois doit être raccordé avec une cheminée fabriquée en usine ou en maçonnerie de 6 po. Si vous utilisez une cheminée fabriquée en usine, elle doit répondre à la norme UL 103 et CAN/CSA-B365 ; par conséquent elle doit être de type HT (2100°F). Il est extrêmement important qu'elle soit installée conformément aux spécifications du fabricant. Si vous utilisez une cheminée en maçonnerie, il est important qu'elle soit construite conformément aux spécifications du Code national de construction. Elle doit être revêtu de briques en argile réfractaires, de tuiles métalliques ou en argile scellées ensemble avec un ciment réfractaire. (Les carneaux cylindriques sont les plus efficaces). Le diamètre intérieur du carneau de cheminée doit être identique à l'aspiration des fumées du poêle. Un carneau trop petit peut entraîner des problèmes de tirage, tandis qu'un grand carneau favorise un refroidissement rapide des gaz, et donc l'accumulation de crésote et le risque de feux de cheminée. Remarquez que c'est la cheminée et non le poêle qui crée l'effet de tirage ; les performances de votre poêle dépendent directement du bon tirage de votre cheminée.

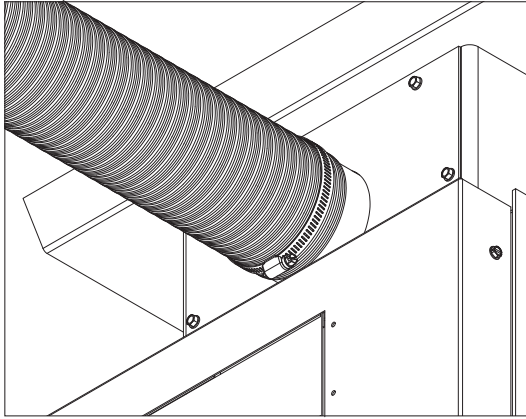
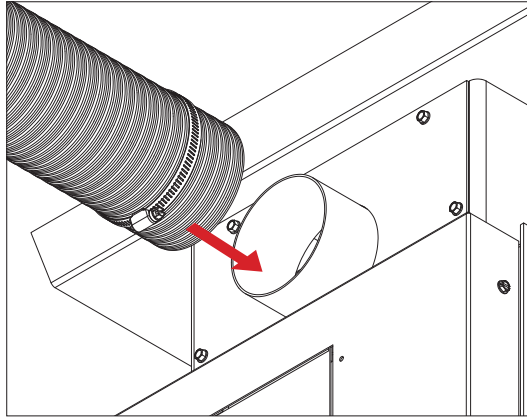


Les recommandations suivantes peuvent être utiles pour l'installation de votre cheminée :

1. Ne connectez pas cette unité à un carneau de cheminée utilisé par un autre appareil.
2. Elle doit s'élever au-dessus du toit d'au moins 3 pi (0,9 m) à partir du point le plus haut de contact.
3. La cheminée doit dépasser toute partie de la construction ou autre obstruction à moins de 10 pi (3,04 m) d'une hauteur de 2 pi (0,6 m).
4. L'installation d'une cheminée intérieure est toujours préférable à une cheminée extérieure. En effet, la cheminée intérieure, sera, par définition, plus chaude qu'une cheminée extérieure, étant donné qu'elle est chauffée par l'air ambiant de la maison. Par conséquent, le gaz qui circule se refroidira plus lentement, réduisant ainsi l'accumulation de crésote et le risque de feux de cheminée.
5. Le tirage entraîné par la tendance de l'air chaud à s'élever sera augmenté avec une cheminée intérieure.
6. L'utilisation d'un pare-feu à l'extrémité de la cheminée requiert une inspection régulière afin de garantir qu'il n'est pas obstrué, bloquant donc le tirage et devra être nettoyé lorsqu'il est utilisé régulièrement.

Faites glisser le collier de serrage sur le tuyau flexible en aluminium. Ensuite, glissez le tuyau flexible sur le tube d'admission d'air du poêle. Serrez ensuite le collier de serrage sur l'extrémité du tuyau flexible en aluminium.

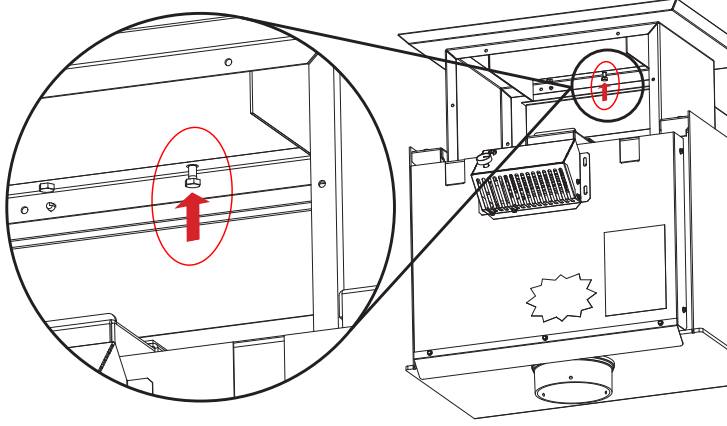
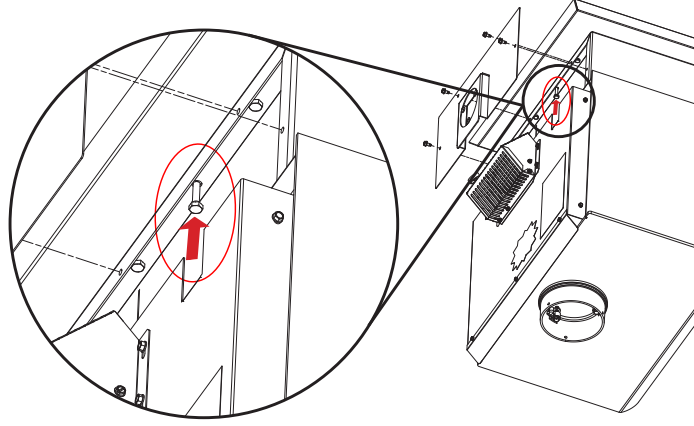
3. Ouvrir légèrement une fenêtre lors d'un jour calme (sans vent) réduit les symptômes ci-dessus.
4. La maison est équipée d'un pare-vapeur parfaitement étanche et de fenêtres bien ajustées et/ou dispose d'appareils électriques qui expulsent l'air de la maison.
5. Il y a une condensation excessive sur les vitres en hiver.
6. Un système de ventilation est installé dans la maison.



Pour utilisation dans des MAISONS MOBILES (installations aux E.-U. UNIQUEMENT):

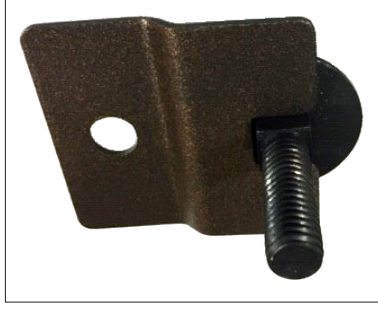
- AVERTISSEMENT ! NE PAS INSTALLER DANS UNE CHAMBRE À COUCHER.
- ATTENTION ! L'INTÉGRITÉ STRUCTURELLE DU PLANCHER, DES PAROIS ET DU PLAFOND/TOIT DE LA MAISON MOBILE DOIT ÊTRE MAINTENUE.
- LE POÊLE DOIT ÊTRE FIXÉ À LA STRUCTURE DE LA MAISON MOBILE EN UTILISANT LES TROUS DE FIXATION SITUÉS À LA BASE DE L'UNITÉ.
- INSTALLEZ CONFORMÉMENT À LA PARTIE 3280 DE 24 CFR (HUD).
- UTILISEZ UNE CHEMINÉE FABRIQUÉE EN USINE QUI RÉPONDE AUX STANDARDS DE L'UL 103 ; PAR CONSÉQUENT ELLE DOIT ÊTRE DE TYPE HT (2100°F).
- UTILISEZ UN PARE-ÉTINCELLES

Illustration: Fixation du réchauffeur au plancher.



Utilisez pour fixer les appareils avec les pattes au sol. (Pour une utilisation de maison mobile)

1. Le support s'engage autour de l'extrusion carrée du bouton de nivellement inséré dans la jambe.
2. Une fois l'appareil mis à niveau, positionnez le support et fixez-le au sol à l'aide de la visserie appropriée à votre sol.
3. Installez un support par jambe ou consultez votre autorité locale compétente pour déterminer le nombre de points de fixation requis.

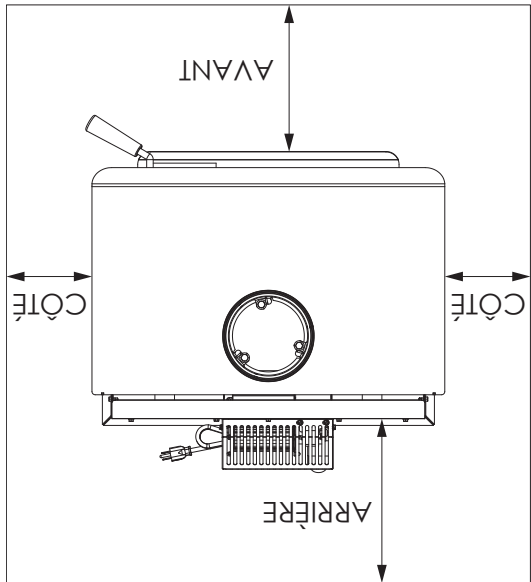


PROTECTEUR DE SOL

Cet appareil de chauffage doit avoir un protecteur de sol incombustible avec une valeur R d'au moins 1,4 installée en dessous de celui-ci si le sol est constitué en matériau combustible. Si un tampon de sol est utilisé, il doit être répertorié UL ou équivalent. Le protecteur de sol doit être suffisamment grand pour s'étendre sous le poêle et au-delà de chaque côté, comme indiqué. S'il y a un conduit de cheminée horizontal, il doit y avoir une protection du plancher dessous qui s'étend de deux pouces au-delà de chaque côté du tuyau.

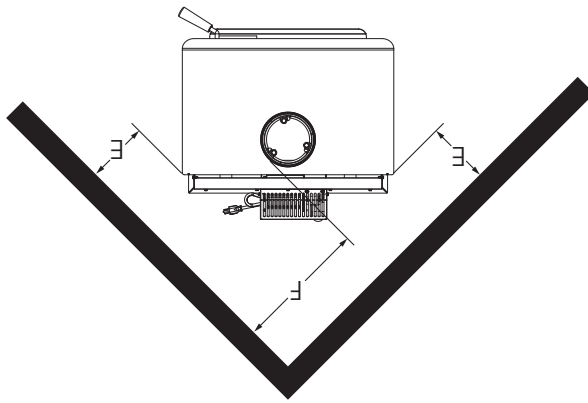
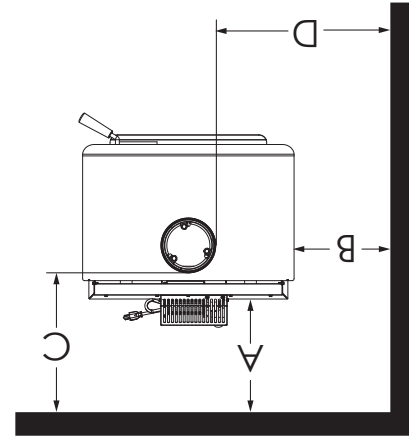
| | |
|---------|----------------|
| Avant | 26 po (661 mm) |
| Côtés | 8 po (203 mm) |
| Arrière | ★2 po (51 mm) |

★ - Les installations canadiennes nécessitent 8 po (203 mm)



DÉGAGEMENTS AVEC LES MATIÈRES COMBUSTIBLES

Il est extrêmement important que les dégagements avec les matières combustibles soient strictement respectés lors de l'installation du poêle.



| | | | | |
|----------------------|---------|-----------|----|----|
| Tuyau à paroi simple | | Cle | po | mm |
| A | 10 (10) | 254 (254) | | |
| B | 19 (19) | 483 (483) | | |
| C | 13 (13) | 331 (331) | | |
| D | 30 (29) | 762 (737) | | |
| E | 10 (10) | 254 (254) | | |
| F | 20 (20) | 508 (508) | | |

- La hauteur entre le sol et le plafond doit être d'au moins 7 pi (2,13 m) dans tous les cas.
- Ne placez aucune matière combustible à moins de 4 pi (1,2 m) de l'avant de l'unité.
- Le dégagement entre le tuyau de carneau et un mur est valable uniquement pour les murs verticaux et pour un tuyau de carneau vertical.
- S'il y a un conduit de cheminée horizontal, il doit y avoir au moins 18 pouces d'espace libre entre le tuyau et le plafond. Il doit également y avoir une protection du sol sous la conduite horizontale qui s'étend de 2 po au-delà de chaque côté du conduit de cheminée.
- Le raccord de cheminée ne doit pas passer à travers un grenier ou un espace du toit, des toillettes ou des espaces confinés similaires, un plancher ou un plafond.
- Dans une installation canadienne dans laquelle un passage à travers un mur, ou une partie de construction combustible est souhaitée, l'installation doit être conforme à CAN/CSA-B365.
- Un tuyau de carneau traversant une paroi combustible doit avoir un dégagement minimum de 18 po (457,2 mm).
- Pour réduire les dégagements de carneau avec les matériaux combustibles, contactez votre service local de sécurité.

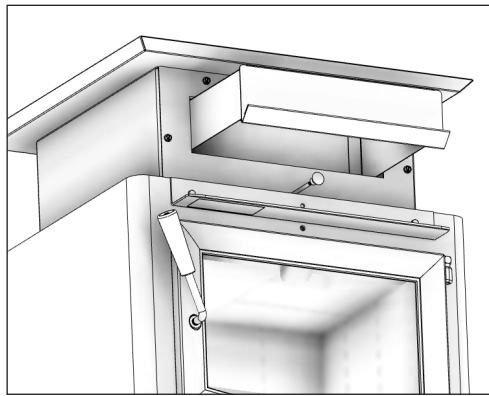
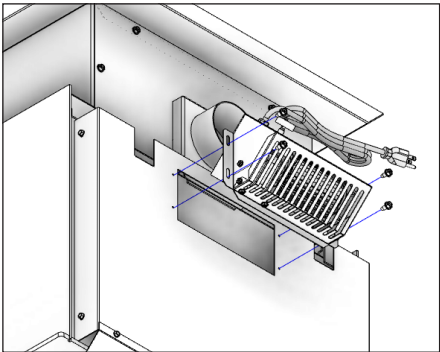
AIR DE COMBUSTION EXTÉRIEUR

Votre poêle à bois est approuvé pour être installé avec une entrée d'air extérieur (4FAK) nécessaire pour une maison mobile. Ce type d'installation est également requis dans les maisons étanches et les maisons ayant des problèmes de pression négative. Vous pouvez acheter cette option auprès de votre vendeur d'appareils de chauffage. Assurez-vous d'indiquer le numéro de pièce mentionné dans ce livret. Les instructions relatives à l'installation sont fournies avec le kit d'admission d'air.

1. Votre poêle n'aspire pas de façon continue, une dispersion des fumées a lieu, le bois brûle mal, ou des contre-explosions se produisent qu'il y ait ou non des matières combustibles.
2. Les appareils à foyer existants au sein du domicile, tels que des cheminées ou d'autres appareils de chauffage, émettent des odeurs, ne fonctionnent pas correctement, émettent des fumées lorsqu'ils sont ouverts ou des contre-explosions produisent qu'il y ait ou non des matières combustibles.

INSTRUCTIONS DESTINÉES À L'ASSEMBLAGE DE LA SOUFFLANTE

L'ENSEMBLE DE LA SOUFFLANTE DOIT ÊTRE DÉCONNECTÉ DE LA SOURCE D'ALIMENTATION ÉLECTRIQUE AVANT LE DÉMARRAGE DE L'INSTALLATION.
Fixez l'ensemble au dos du poêle à l'aide des quatre vis fournies.
L'ENSEMBLE DE LA SOUFFLANTE EST PRÉVU POUR ÊTRE UTILISÉ UNIQUEMENT AVEC UN POÊLE MARQUÉ TEL QU'INDIQUÉ POUR CET USAGE.
N'ACHEMINÉZ PAS LE CORDON D'ALIMENTATION À PROXIMITÉ OU SUR DES SURFACES CHAUDES !

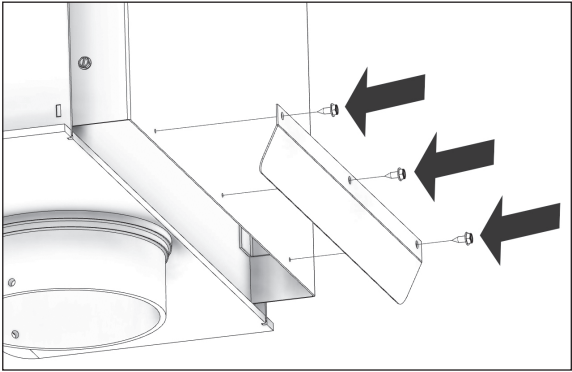


ASSEMBLÉE DE CASSEROLE DE CENDRE

Retirez le cendrier du foyer. Sous le foyer, il y a deux supports. Faites glisser le cendrier dans ces supports.

ENSEMBLE DÉFLECTEUR D'AIR

Utilisez les vis fournies pour fixer le déflecteur d'air à l'arrière de l'appareil.



Installation

AVIS DE SÉCURITÉ:

- L'INSTALLATION INCORRECTE DE CE POÊLE POURRAIT ENTRAÎNER L'INCENDIE DU DOMICILE. AFIN DE RÉDUIRE LE RISQUE D'INCENDIE, RESPECTEZ LES INSTRUCTIONS D'INSTALLATION. NE PAS RESPECTER LES INSTRUCTIONS PEUT ENTRAÎNER DES DOMMAGES MATÉRIELS, DES BLESSURES PERSONNELLES VOIRE LA MORT !
- CONSULTEZ LES FONCTIONNAIRES MUNICIPAUX DE CONSTRUCTION OU DE LUTTE CONTRE LES INCENDIES AFIN DE CONNAÎTRE LES LIMITATIONS ET LES EXIGENCES D'INSTALLATION DE VOTRE RÉGION.
- UTILISEZ DES DÉTECTEURS DE FUMÉE DANS LA PIÈCE DANS LAQUELLE LE POÊLE EST INSTALLÉ.
- MAINTENEZ LE MOBILIER ET LES RIDEAUX ÉLOIGNÉS DU POÊLE.
- N'UTILISEZ PAS D'ESSENCE, DE COMBUSTIBLE POUR LANTERNE À ESSENCE, DE KÉROSÈNE, DE LIQUIDE D'ALLUMAGE DE CHARBON OU DE LIQUIDES SIMILAIRES POUR DÉMARRER OU « RAVIVER » UN FEU DANS CE POÊLE. MAINTENEZ TOUS CES LIQUIDES ÉLOIGNÉS DU POÊLE.
- EN CAS D'INCENDIE DE CHEMINÉE, FERMEZ COMPLÈTEMENT LA COMMANDE D'AIR AFIN DE PRIVÉ LE FEU D'OXYGÈNE. APPELÉZ LES POMPIERS.
- NE CONNECTEZ PAS LE POÊLE À UN CONDUIT OU CIRCUIT DE DISTRIBUTION D'AIR.
- UNE SOURCE D'AIR FRAIS DANS LA PIÈCE OU L'ESPACE CHAUFFÉ DEVRA ÊTRE FOURNIE SI NÉCESSAIRE.

POSITIONNER LE POÊLE

Il est très important de positionner le poêle à bois aussi près que possible de la cheminée, et dans une zone qui favorisera la distribution de chaleur la plus efficace possible au sein du domicile. Le poêle doit par conséquent être installé dans la pièce où vous passez le plus de temps, et dans la pièce la plus spacieuse possible. Rappelez-vous que les poêles à bois produisent une chaleur rayonnante, la chaleur que nous sentons lorsque nous sommes à proximité d'un poêle à bois. Un poêle à bois fonctionne aussi par convection, grâce au déplacement de l'air chaud accéléré vers le haut et son remplacement par de l'air plus frais. Si nécessaire, la distribution d'air chaud à partir du poêle peut être facilitée par l'installation d'une soufflante. Le poêle à bois ne doit pas être raccorder à un système de distribution d'air chaud car une accumulation excessive de chaleur pourrait avoir lieu. Un poêle à bois ne doit jamais être installé dans un couloir ou près d'un escalier, car cela pourrait bloquer le passage en cas d'incendie ou ne pas respecter les engagements requis.

Les instructions relatives à l'installation de votre poêle à bois sont conformes aux normes UL-1482 (R2015) et ULC-S627-00 (R2016). Ce manuel décrit l'installation et l'utilisation du chauffage au bois Magnolia II, US2500E. Ce poêle est conforme aux limites d'émission de bois de chauffage vendues après le 15 mai 2020 par la Environmental Protection Agency (Agence de protection de l'environnement) de 2020 aux États-Unis. Dans des conditions de test spécifiques, il a été démontré que cet appareil fournissait de la chaleur à des taux allant de 20 374 à 60 65 Btu/h (*0,88 g/hr et une efficacité de 73%). Remarque: Les valeurs nominales en BTU mentionnées ci-dessus sont basées sur le protocole de test de l'EPA dans des conditions de test spécifiques. Nos BTU annoncés sont basés sur la première heure de fonctionnement avec du bois de chauffage brûlant à un taux de combustion élevé.

| | | | |
|--|-------------------------------------|------------------|------------------|
| Combustible: | Bois | | |
| Couleurs: | Noir métallique | | |
| Diamètre du tuyau de carneau: | 6 po (152,5 mm) | | |
| Type du tuyau de carneau: (Paroi unique ou paroi double standard): | Acier noir ou bronze 2100°F (650°C) | | |
| Hauteur minimale de la cheminée: | 12 pi (3,7 m) | | |
| Longueur maximale des bûches: | 21 po (534 mm) | | |
| Dimensions | | | |
| Général: Profondeur x Largeur x Hauteur: | Modèle Profondeur Largeur La Taille | | |
| US2500E-L | 25,3 po (643 mm) | 29,4 po (747 mm) | 31,3 po (796 mm) |
| US2500E-F | 25,5 po (648 mm) | 27 po (686 mm) | 31,4 po (798 mm) |
| Volume: Pieds cubes: 2,73 | | | |
| Ouverture de la porte: Largeur x Hauteur: 18 po x 9-3/4 po (458mm x 248mm) | | | |
| Porte en verre pyrocéramique: (Visualisation) Largeur x Hauteur: 17 po x 11-1/4 po (432mm x 286mm) | | | |

| | |
|---------------------------------|----------|
| ACCESSOIRES EN OPTION | |
| DESCRIPTION | N° PIÈCE |
| Kit d'admission d'air extérieur | 4FAK |

AVERTISSEMENTS:

- CHAUD DURANT LE FONCTIONNEMENT. MAINTENEZ LES ENFANTS, LES VÊTEMENTS ET LE MOBILIER ÉLOIGNÉS. TOUT CONTACT PEUT ENTRAÎNER DES BRÛLURES.
- N'UTILISEZ PAS DE PRODUITS CHIMIQUES NI DE FLUIDES POUR DÉMARRER LE FEU.
- NE LAISSEZ PAS LE POÊLE SURVEILLANCE LORSQUE LA PORTE EST LÉGÈREMENT OUVERTE.
- NE BRÛLEZ PAS DE DÉCHETS NI DE FLUIDES INFLAMMABLES TELS QUE L'ESSENCE, LE NAPHTHA OU L'HUILE POUR MOTEUR.
- NE CONNECTEZ PAS LE POÊLE À UN CONDUIT OU CIRCUIT DE DISTRIBUTION D'AIR.
- FERMEZ TOUJOURS LA PORTE APRÈS L'ALLUMAGE.

OUTILS ET ÉQUIPEMENTS NÉCESSAIRES POUR L'INSTALLATION

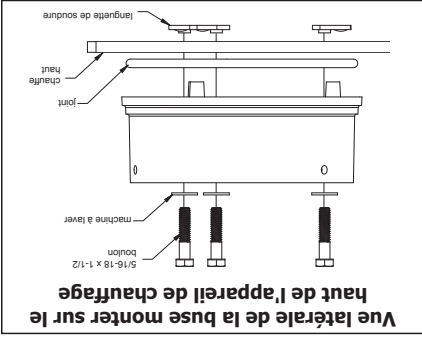
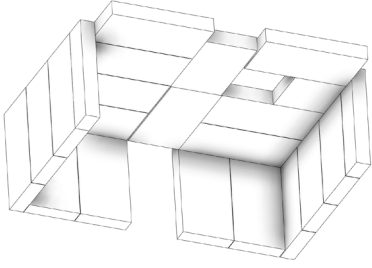
Vous aurez besoin d'une perceuse équipée d'un foret de 1/8 po afin d'installer les vis à tôle dans le raccord de conduite. Une clé/douille ou tournevis de 5/16 po afin d'installer l'habillage du socle, le collecteur de la pièce et l'ensemble de la souffrante décrits ci-dessous. Une clé/douille de 2 po pour installer la buse. Un protecteur de sol inflammable tel que spécifié dans ce manuel. Tous les composants de la cheminée et du raccord de cheminée nécessaires pour votre installation particulière de cheminée. Pour les maisons mobiles.

ASSEMBLAGE

- Assemblage de la buse: Montez la buse sur le haut de l'unité tel qu'illustré en utilisant les (3) vis 5/16-18 x 1-1/2, (3) rondelles, et (3) languettes soudées fournies dans la boîte des pièces.
- Assemblage du collecteur de la pièce: Positionnez le collecteur de la pièce. En utilisant les trois (3) vis auto-perceuses fournies, montez le collecteur sur l'unité tel qu'illustré sur le schéma.
- Configuration des briques réfractaires: Remettez les briques réfractaires tel qu'indiqué sur l'illustration ci-dessous.

Remarque: Enregistrez votre produit en ligne sur www.usstove.com. Conservez votre reçu avec vos dossiers pour toute réclamation.

Configuration des briques





United States Stove Company
PO Box 151, 227 Industrial Park Rd.,
South Pittsburg, TN 37380
PH: (800) 750-2723
www.usstove.com

AVERTISSEMENT CONCERNANT LA PROPOSITION 65 DE L'ÉTAT DE LA CALIFORNIE :
Ce produit peut vous exposer à des agents chimiques, y compris au monoxyde de carbone, lesquels sont reconnus dans l'état de la Californie comme causant le cancer et des malformations congénitales ou autres dommages au fœtus. Pour obtenir plus de renseignements, veuillez consulter le site www.P65warnings.ca.gov

AVIS DE SÉCURITÉ: L'installation incorrecte de ce poêle pourrait entraîner l'incendie du domicile. Pour votre sécurité, respectez les instructions d'installation. N'employez jamais les compromis expédient pendant l'installation de ce réchauffeur. Contactez les fonctionnaires locaux de construction ou de lutte contre les incendies afin de connaître les limitations et les exigences d'installation de votre région.

ATTENTION! Lisez attentivement toutes les instructions avant de commencer l'installation ou de faire fonctionner ce poêle. Une installation incorrecte peut annuler votre garantie!

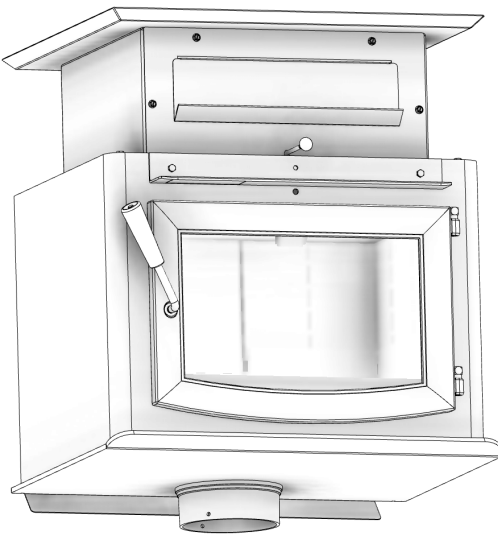
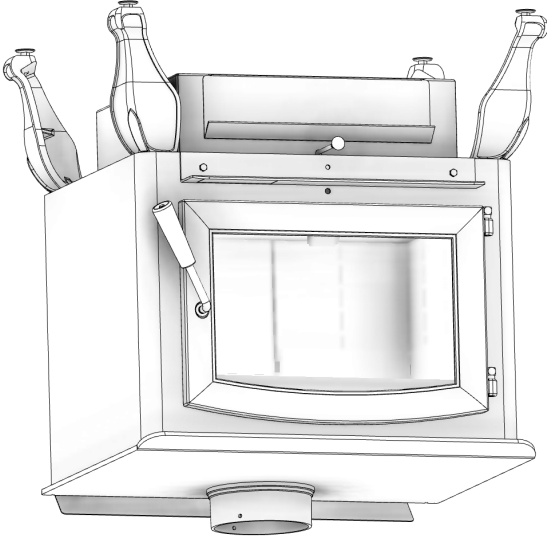
Conservez ces instructions ce manuel vous aidera à obtenir un fonctionnement du poêle efficace et fiable et vous permettra de commander correctement toute pièce détachée. Gardez-le dans un lieu sûr pour toute consultation ultérieure.

Ce manuel peut être modifié sans préavis.

TOUTES LES PHOTOS MONTRÉES SONT UNIQUEMENT À DES FINS ILLUSTRATIVES. LE PRODUIT RÉEL PEUT VARIER EN RAISON DE L'AMÉLIORATION DU PRODUIT.

U.S. Environmental Protection Agency
Certifié pour se conformer aux normes d'émissions de particules de 2020.

Numéro du rapport: F19-487
Testé selon les méthodes EPA ALT-125, ASTM E2515, ASTM E3053 et CSA B415
Certifié UL 1482-2011 (R2015) et UL-C-S627-00 (R2016)
Maison mobile approuvée (États-Unis seulement)



MODÈLE: US2500E

Magnolia II

