

# WALKER

**H12: 42" Two-Stage Snowblower**

**H17: 50" Two-Stage Snowblower**

## **Operator's Manual**

Safety, Assembly, Operating and Maintenance Instructions

H12 compatible with tractor models: MC, MD, MT

H17 compatible with tractor models: MH



**Please Read and Save These Instructions**

For Safety, Read All Assembly and Operation Instructions  
Prior to Operating Attachment

H12 Beginning S/N: 21810237

H17 Beginning S/N: 21810546

P/N: 6670-16



## Foreword

**Thank you.** . .for purchasing a Walker Two-Stage Snowblower. Every effort has been made to provide you with the most reliable machine on the market, and we are sure you will be among our many satisfied customers. If for any reason this product does not perform to your expectations, please contact your local dealer. Every customer is important to us. Your satisfaction is our goal.

**Please.** . .read this manual thoroughly! Before you operate your machine, please read this entire manual. Some of the information is crucial for proper operation - it will help protect your investment and ensure that the machine performs to your satisfaction. Some of the information is important to your safety, and must be read and understood to help prevent possible injury to the operator or others. If anything in this manual is confusing or hard to understand, please contact your local authorized dealer or call our service department, at (970) 221-5614, for clarification before operating or servicing this machine.

This manual covers the H12, 42 in. Two-Stage Snowblower and the H17, 50 in. Two-Stage Snowblower.

**All shields and guards must be in place for the proper and safe operation of this machine.** Where they are shown removed in this manual, it is for illustration purposes only. **Do not operate this machine unless all shields and guards are in place.**

Specifications given are based on the latest information available at the time this manual was produced.

Walker Mfg. Co. is continually striving to improve the design and performance of its products. We reserve the right to make changes in specifications and design without thereby incurring any obligation relative to previously manufactured products.

Sincerely,

WALKER MANUFACTURING COMPANY

Bob Walker, President

# Table of Contents

<b>General Information</b> _____	1	<b>Maintenance Instructions</b> _____	22
<b>HIGHLIGHTED INFORMATION</b> _____	1	<b>LUBRICATION</b> _____	23
<b>GLOSSARY</b> _____	1	<i>Snowblower Gearbox</i> _____	23
<b>IDENTIFYING NUMBER LOCATION</b> _____	1	<i>Snowblower Reduction Chain</i> _____	23
<b>UNIT DESCRIPTION</b> _____	1	<i>Grease Fitting and Oil Point Lubrication</i> _____	23
<b>Specifications</b> _____	2	<b>LUBRICATION POINTS DIAGRAM</b> _____	24
<b>Component Identification</b> _____	3	<b>REPLACING AND REPAIRING PARTS</b> _____	25
<b>Safety Instructions</b> _____	5	<i>Snowblower Cutting Edge</i> _____	25
<b>BEFORE OPERATING</b> _____	5	<i>Snowblower Reduction Chain</i> _____	25
<b>OPERATING</b> _____	6	<i>Snowblower Reduction Sprockets</i> _____	26
<b>MAINTENANCE</b> _____	8	<i>Replacing Drive Shaft with</i> <i>Sprocket (P/N I153)</i> _____	26
<b>SAFETY, CONTROL, AND</b> <b>INSTRUCTION DECALS</b> _____	9	<i>Replacing Large Sprocket (P/N I161)</i> _____	26
<b>Assembly Instructions</b> _____	11	<b>ADJUSTMENTS</b> _____	27
<b>Installation Instructions</b> _____	13	<i>Snowblower Skid Shoes</i> _____	27
<b>H10: LOCKING/REMOVING IMPLEMENTS</b> _____	13	<i>Snowblower Reduction Chain Tension</i> _____	27
<b>H19: LOCKING/REMOVING IMPLEMENTS</b> _____	14	<i>H19 Hitch Lock Tension Adjustment</i> _____	28
<b>H19: FLOAT FUNCTION ADJUSTMENT</b> _____	15	<b>Parts Diagrams</b> _____	29
<b>Operating Instructions</b> _____	17	<b>H12 SNOWBLOWER DRIVE COMPONENTS</b> _____	29
<b>PREOPERATION CHECKLIST</b> _____	17	<b>H12 SNOWBLOWER HOUSING</b> <b>COMPONENTS</b> _____	31
<b>SNOWBLOWER CONTROLS</b> _____	18	<b>H17 SNOWBLOWER DRIVE COMPONENTS</b> _____	33
<i>Chute Rotation Handle</i> _____	18	<b>H17 SNOWBLOWER HOUSING</b> <b>COMPONENTS</b> _____	35
<i>Deflector Position Knobs</i> _____	18	<b>MAINTENANCE AND SERVICE</b> <b>RECORD SHEET</b> _____	37
<i>Raising/Lowering</i> _____	18	<b>Warranty</b> _____	40
<b>SNOWBLOWER OPERATION</b> _____	19		
<i>Engaging the Snowblower</i> _____	19		
<b>RECOMMENDATIONS FOR SNOWBLOWING</b> _____	19		
<b>REMOVING SNOW</b> _____	20		
<b>CLOGGING CHECKLIST</b> _____	20		
<b>REMOVAL AND STORAGE</b> _____	21		
<i>H10 and H19 Instructions</i> _____	21		
<i>Storing the Snowblower</i> _____	21		

# General Information

## HIGHLIGHTED INFORMATION

Walker Manufacturing recommends that any service requiring special training or tools be performed by an authorized Walker Mower Dealer. There are several general practices to be aware of in the area of safety. Most accidents associated with the operation or maintenance of a Walker product are caused by disregarding basic safety precautions or specific warnings. Such accidents, in most cases, can be prevented by being aware of the dangers present.

Information of special importance has been highlighted in bold type in this manual. Refer to Safety Instructions for the meanings of **DANGER, WARNING, CAUTION, IMPORTANT, and NOTE.**

## GLOSSARY

There are many terms that are either unique to this equipment or that are used as acronyms. The following terms and their definitions will help while using this manual.

- **FORWARD SPEED CONTROL (FSC)** controls the maximum forward speed of the tractor; functioning as a cruise control.
- **IMPLEMENT** refers to the two-stage snowblower used with the tractor with an implement hitch installed.
- **LEFT HAND (LH)** refers to the left-hand side of the machine when the operator is seated facing forward in the tractor seat.
- **MACHINE** consists of the implement installed on the tractor, functioning as a single unit.
- **POWER TAKE-OFF (PTO)** transmits engine power to run the two-stage snowblower.
- **RIGHT HAND (RH)** refers to the right-hand side of the machine when the operator is seated facing forward in the tractor seat.
- **TRACTOR** is the prime mover, including the engine, drivetrain, operator seat, and controls to operate the machine.

## IDENTIFYING NUMBER LOCATION

The two-stage snowblower serial number is affixed to the RH side of the snowblower head frame. Model and serial numbers are helpful when obtaining replacement parts and maintenance assistance. For ready reference, please record these numbers in the space provided.

Two-Stage Snowblower Model No.

---

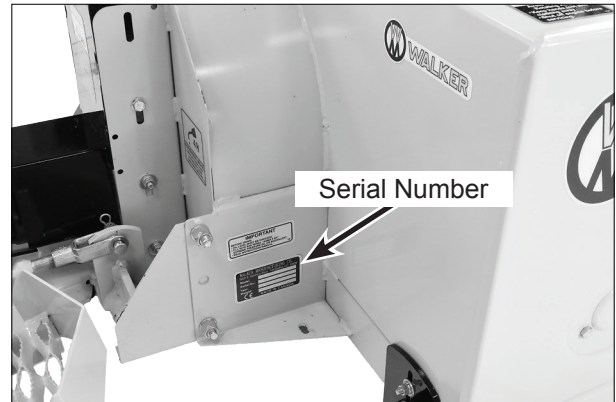
Two-Stage Snowblower Serial No.

---

Date of Purchase

---

Fill In By Purchaser



**Two-Stage Snowblower Serial Number Location (Rear View and RH View)**

## UNIT DESCRIPTION

The 42 in. (107 cm) two-stage snowblower throws snow up to 40 ft (12 m). It is raised and lowered automatically with the lift control switch. The blower spout is controlled with a simple position control handle, or the Snowblower Chute Control Kit (P/N 6623-4) for use with model H only. The snowblower is powered by the tractor PTO through the PTO shaft, snowblower drive shaft, and gearbox. Tire chains and a soft cab are available as optional equipment for Models C, T, and D. Tire chains and a hard cab are available as optional equipment for Model H.



# Specifications

## TWO-STAGE SNOWBLOWER

	H12	H17
Height Without Chute in. (cm)	20-1/2 (52)	20 (51)
Width in. (cm)	42-1/4 (107)	50 (127)
Length With Female Hitch in. (cm)	30 (76)	30 (76)
Overall Length Installed on Tractor in. (cm)*	97-1/2 (248)	105 (267)
Cutting Height in. (cm)	19 (48)	19 (48)
Weight With Female Hitch lb (kg)	180 (82)	193 (88)
Throwing Distance ft (m)	40 (12)	40 (12)
Lift	12 Volt DC Electric Linear Actuator, Operated by Toggle Switch Mounted on FSC Lever	
Hitch System	Patented Quick Hitch System	
Type Blower	Two-Stage with 12-7/8 in. (33 cm) Diameter Auger and 15-3/4 in. (40 cm) Diameter, 3-Blade Impeller, Clockwise Rotation	
Snowblower PTO Drive	Quick Disconnect Splined PTO Shaft with Two (2) High-Speed U-Joints	
Impeller Drive	Chain, #40 Driving Sprocket: H40C11 Driven Sprocket: H40B32	
Auger Drive	Worm Gearbox, 5:1 Ratio, SAE EP 90W Gear Oil	
Discharge Angle Adjustment	Chute Direction Rotates 228° by Crank Handle, Adjustable Spout Deflector, Adjustable from Operator Seat, Up to 40 ft. (12 m) Discharge Distance  Optional P/N 6623-4 Snowblower Chute Control Kit, available for Model MH with A33 Hard Cab Installed	
Body Construction	Frame Thickness: 14 Gauge Steel Side Thickness: 11 Gauge Steel Impeller Housing Thickness: 14 Gauge Steel	
Depth Guide	Two Adjustable, Replaceable Skid Shoes, Adjustable from 1/4 to 3/4 in. (6 to 19 cm)	

\* H12 with model MT, H17 with model MH

### H12

- The following are required for mounting the H12 42 in. Two-Stage Snowblower
  - C, T, D Tractors: H10 Implement Mount Hitch
  - H Tractors: H19 Implement Mount Hitch

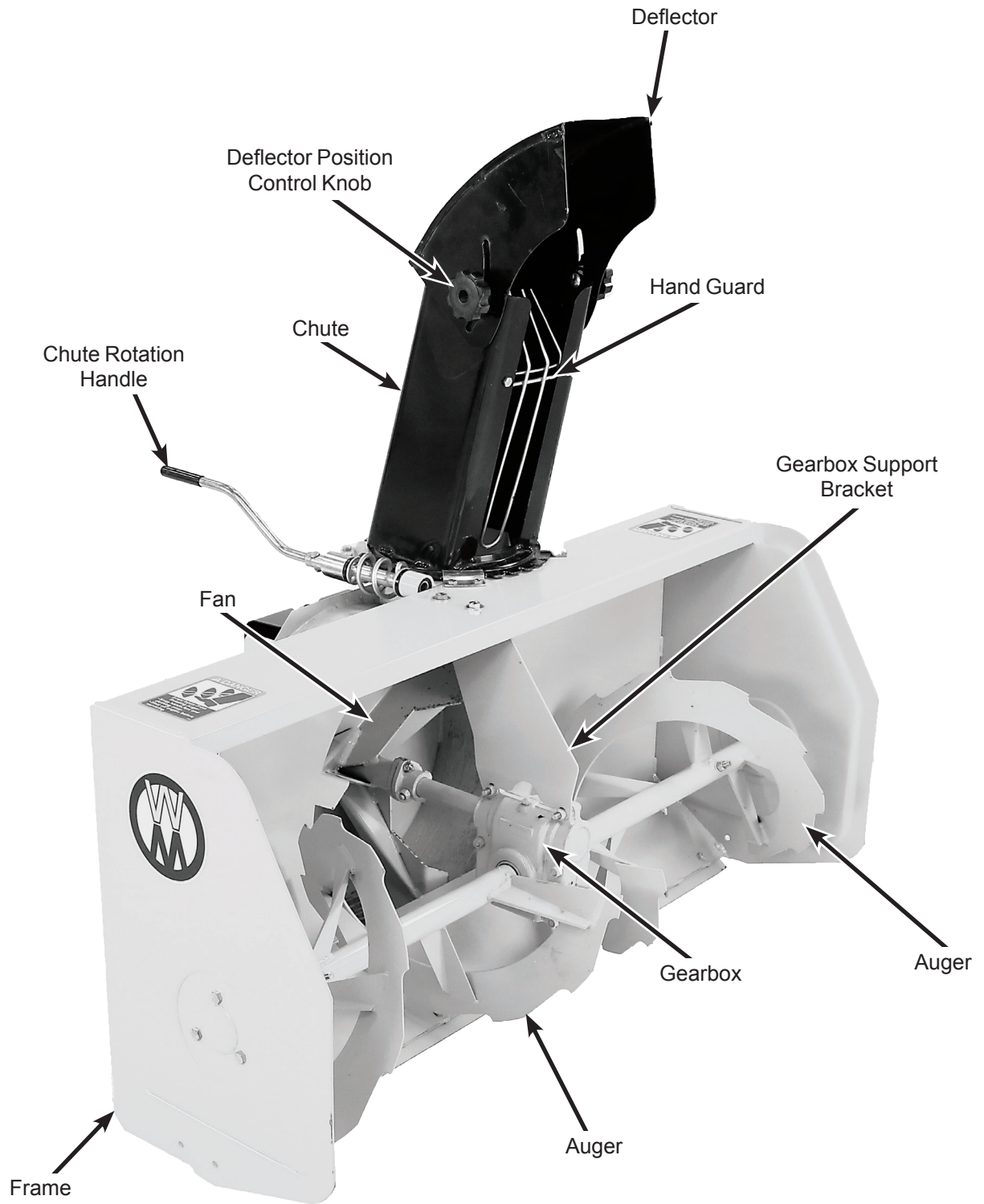
### H17

- The following are required for mounting the H17 50 in. Two-Stage Snowblower
  - T, D Tractors: H10 Implement Mount Hitch
  - H Tractors: H19 Implement Mount Hitch

---

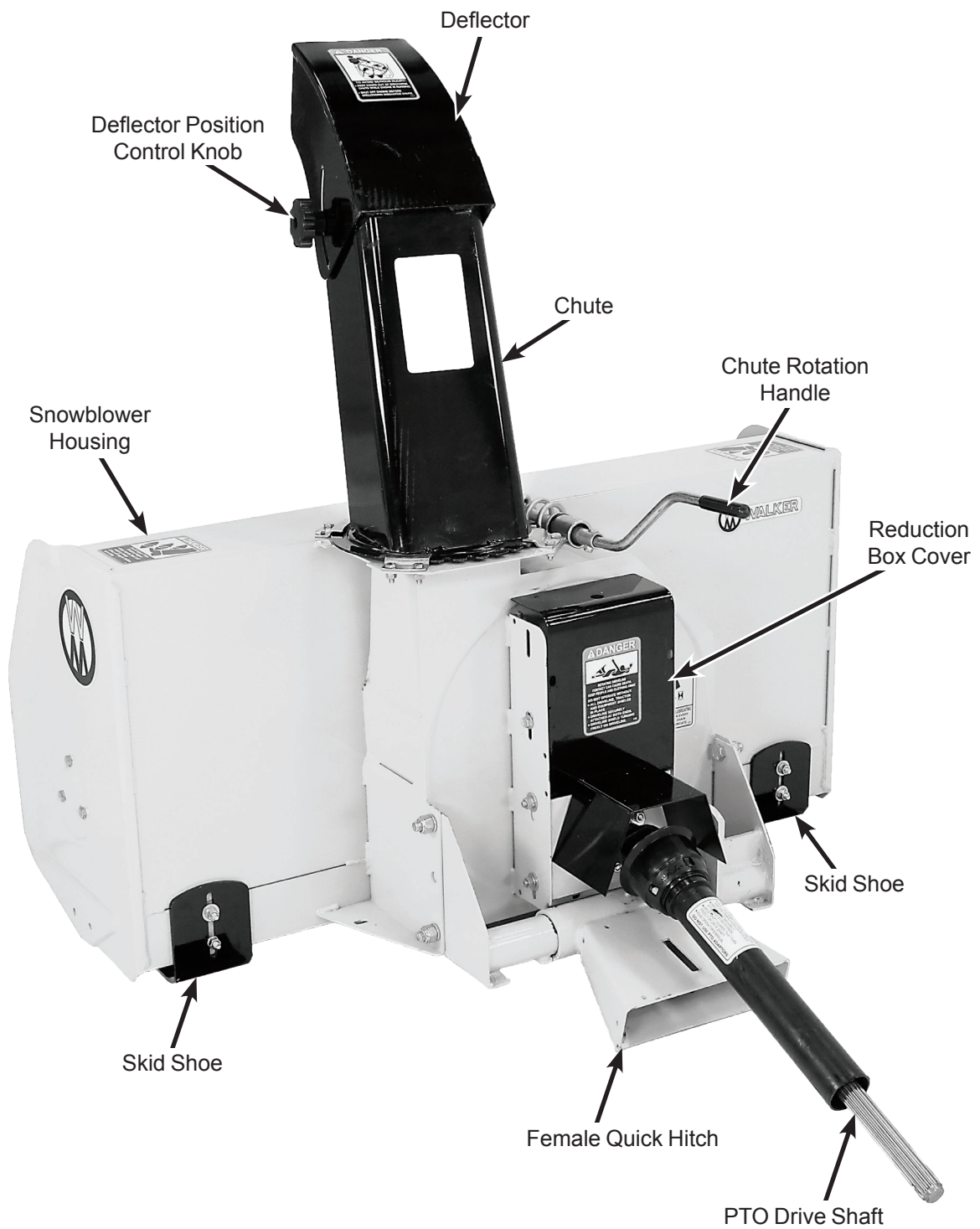
**NOTE:** The manufacturer reserves the right to make changes in specifications shown herein at any time without notice or obligation.

# Component Identification



Two-Stage Snowblower Front View and Right Side View (Not Installed)


# Component Identification




Two-Stage Snowblower Rear View (Not Installed)


# Safety Instructions


Pay particular attention to any information labeled **DANGER, WARNING, CAUTION, IMPORTANT,** and **NOTE** in this manual.

When you see the Safety Alert Symbol (  ), read, understand, and follow the instructions. Failure to comply with safety instructions may result in personal injury.

The seriousness or degree of importance of each type of information is defined as follows:

 <b>DANGER</b>
<b>An IMMEDIATE hazard that WILL result in severe personal injury or DEATH, if warning is ignored and proper safety precautions are not taken.</b>

 <b>WARNING</b>
<b>A POTENTIAL hazard that COULD result in severe personal injury or DEATH, if warning is ignored and proper safety precautions are not taken.</b>

 <b>CAUTION</b>
<b>Possible hazards or unsafe practices that MAY result in MODERATE personal injury or property damage, or machine damage, if warning is ignored and proper safety precautions are not taken.</b>

**IMPORTANT:** Identifies mechanical information demanding special attention, since it deals with the possibility of damaging a part or parts of the machine.

**NOTE:** Identifies information worthy of special attention.

Walker Manufacturing cannot predict every potentially dangerous situation. Therefore, items labeled as such in this manual do not cover all conceivable situations. Any person using procedures, tools, or control techniques not recommended by Walker Manufacturing must take full responsibility for safety.

The Walker Rider Lawnmower has been designed with many safety features to protect the operator from personal harm or injury. However, it is necessary for the operator to use safe operating procedures at all times. **Failure to follow safety instructions contained in this manual may result in personal injury or damage to equipment or property.**

If you have any questions concerning setup, operation, maintenance, or safety, please contact your authorized Walker Mower dealer or call Walker Manufacturing Company at (970) 221-5614.

## BEFORE OPERATING

1. **Read and understand the contents of this Operator's Manual before starting and operating the machine.** Become thoroughly familiar with all machine controls and how to stop the machine and disengage the controls quickly. Replacement Operator's Manuals are available by sending the Model and Serial Number to:  

**Walker Manufacturing Company**  
5925 East Harmony Road  
Fort Collins, CO 80528
2. **Never allow children to operate rider mower.** Do not allow adults to operate without proper instruction.
3. Do not allow anyone other than the operator on the machine.
4. Keep everyone, especially children and pets, a safe distance away from the area of operation. **Do not operate with bystanders in the area.**
5. Do not operate the machine barefoot or wearing sandals, sneakers, tennis shoes, or similar lightweight footwear. **Wear substantial protective footwear.**
6. Snow or leaves can sometimes hide objects that might clog the snowblower, or otherwise cause damage. Clear the area of doormats, sleds, boards, wires and other debris.

# Safety Instructions

7. Do not wear loose fitting clothing that could get caught in moving parts. Do not operate this machine while wearing shorts; **always wear adequate protective clothing**, including long pants. Wearing safety glasses, safety shoes, and a helmet is advisable and required by some local ordinances and insurance regulations.
8. Prolonged exposure to loud noise can cause impairment or loss of hearing. **Operator hearing protection is recommended.** Wear a suitable hearing protective device, such as ear-muffs or earplugs.
9. **Keep all protective shields and safety devices in place.** If a protective shield, safety device, or decal is damaged, unusable, or missing, repair or replace it **before** operating the machine.
10. **Be sure interlock switches are functioning correctly**, so the engine cannot be started unless the Forward Speed Control lever is in the **NEUTRAL-PARK** position, the PTO clutch is in the **DISENGAGED** position, and the Parking Brake in the **ENGAGED** position. Also, the engine should stop if the operator lifts off the seat with any one or more of these controls in the operating position: (1) Forward Speed Control (FSC) out of **NEUTRAL-PARK**, (2) PTO Clutch **ENGAGED**, or (3) Parking Brake **DIS-ENGAGED**
11. **Handle gasoline with care.** Gasoline is highly flammable and its vapors are explosive:
  - a. Use an approved fuel container.
  - b. Never add fuel to a running engine or hot engine (allow hot engine to cool several minutes).
  - c. Keep matches, cigarettes, cigars, pipes, open flames, or sparks away from the fuel tank and fuel container.
  - d. Always fill the fuel tank outdoors using care. Fill to about one inch from the top of the tank. Use a funnel or spout to prevent spilling.
  - e. Replace the machine fuel cap and container cap securely and clean up any spilled fuel before starting the engine.

11. **Never attempt to make any adjustments while the engine is running**, except where specifically instructed to do so.
12. The snow or leaves can sometimes hide objects that might clog the snowblower or debris blower chute, or otherwise cause damage. Clear the area of doormats, sleds, boards, wires and other debris.
13. The electrical system battery contains sulfuric acid. Avoid any contact with skin, eyes, and clothing. Keep the battery and acid out of reach of children.



## WARNING

**This product can expose you to chemicals including Di-(2-ethylhexyl) phthalate which is known to the State of California to cause cancer, and Di-(2-ethylhexyl) phthalate, which is known to the State of California to cause birth defects or other reproductive harm. For more information go to [www.P65Warnings.ca.gov](http://www.P65Warnings.ca.gov).**

## OPERATING

**NOTE:** Refer to your tractor Operator's Manual for safety instructions for operating the tractor.

1. **Operate the machine only in daylight** or in good artificial light with good visibility of areas being cleaned.
2. Sit on the seat when starting the engine and operating the machine. Keep feet on footrests at all times when the tractor is moving and/or the implement is operating.
3. For a beginning operator, **learn to steer (maneuver) the tractor with a slow engine speed before attempting any implement operation.** Be aware that, with the front mounted implement configuration, the back of the machine swings to the outside during turns.



# Safety Instructions



**Do not operate around overhanging tree branches or bushes at the same height as the operator's torso and head where inadvertent contact may cause injury.**

4. Remember, for an emergency stop, the forward motion of the tractor can always be stopped by pulling the Forward Speed Control (FSC) into the **NEUTRAL-PARK** position.
5. In case the transmission drive belt breaks during operation, and if the machine is on a slope, the machine will freewheel down the slope. **To maintain control**, immediately (1) Release the steering levers and simultaneously (2) Move the FSC to the **NEUTRAL-PARK** position. When the machine is stopped or moving slowly, engage the parking brake.  
**NOTE:** The emergency stop procedure is exactly the same procedure used to normally stop and park the machine.
6. Disengage the PTO clutch, put the FSC in the **NEUTRAL-PARK** position, and engage the parking brake before starting the engine (an ignition interlock switch normally prevents starting of the tractor if these controls are in the **OPERATING** position).
7. **Do not operate machine if the operator presence safety switch system is not working.** Verify proper operation by having the operator lift off the seat with the engine running and moving three controls, one at a time; (1) Move the FSC lever out of the **NEUTRAL-PARK** position, (2) Engage the PTO Clutch, and (3) Disengage the Parking Brake. Moving any of these controls should stop the engine after a 1/2 second delay.
8. **Do not run the engine in a confined area without adequate ventilation.** Exhaust fumes are hazardous and can be deadly.
9. **Do not carry passengers** - maximum seating capacity is one (1) person.
10. Make sure the auger is clear of snow, ice, or debris before engaging the PTO clutch.
11. Be careful never to throw snow towards people or cars, and never allow anyone in front of the implement.
12. Watch out for hazards hidden under snow that could enter the chute while operating.
13. **Avoid sudden starts or stops.** Before backing the machine up, look to the rear to be sure no one is behind the machine. Watch carefully for traffic when crossing or working near roadways.
14. When moving forward, **do not** suddenly put the tractor in reverse by rapidly pulling on the steering levers, especially when going downhill, as this can lift the tractor tail wheel off the ground and set up a bucking motion due to operator overcontrol. If bucking does occur, immediately stop the bucking action by pulling the Forward Speed Control (FSC) lever into the **NEUTRAL-PARK** position.
15. Disengage the PTO clutch when transporting the machine.
16. Do not operate across the face of slopes. Use extreme caution when changing direction on slopes. Do not attempt to operate on steep slopes. **Do not operate the machine on a slope greater than 15 degrees.**
17. **Never adjust gauge wheels or skid shoes with the engine running.** Before adjusting height or servicing, disengage the PTO clutch, stop the engine, and remove the ignition key. Wait for all movement to stop before getting off the seat.  
**NOTE:** The PTO brake should stop drive line rotation within five (5) seconds of disengaging the PTO clutch. If the brake is not functioning properly, have it repaired by an authorized dealer before further operation.
18. Do not operate the snowblower with the blower spout assembly removed.
19. If snowblower clogs:
  - a. Disengage the PTO clutch, stop the engine, and remove the ignition key before leaving the seat.
  - b. **LOOK** to make sure PTO shaft and auger movement has stopped before trying to unclog the snowblower.



# Safety Instructions

- c. Disconnect the fuel solenoid wire [diesel engines] or spark plug wire(s) [gasoline engines].
  - d. **DO NOT use hands or feet to unclog the snowblower** - use a stick or similar tool.
20. If the implement strikes a solid object or the machine begins to vibrate abnormally, **immediately disengage the PTO clutch, stop the engine, and wait for all moving parts to stop.** Disconnect the fuel solenoid wire [diesel engines] or the spark plug wire(s) [gasoline engines] to prevent accidental starting. Thoroughly inspect the implement and repair any damage before restarting the engine and operating the machine. Make sure implement components are in good condition and all bolts are tight.
  21. **Do not touch the engine or muffler while the engine is running** or immediately after stopping the engine. These areas may be hot enough to cause serious burns.
  22. When leaving the machine unattended, **disengage the PTO clutch, stop the engine, and remove the ignition key.**

## MAINTENANCE

**NOTE:** Refer to your tractor Operator's Manual for safety instructions for tractor maintenance.

1. **To prevent accidental starting of the engine** when servicing or adjusting the machine, remove the key from the ignition switch and disconnect the fuel solenoid wire [diesel engines] or the spark plug wire(s) [gasoline engines].
2. **To reduce fire hazards,** keep the engine free of grass, leaves, excessive grease, and dirt.
3. Keep all nuts, bolts, and screws tight **to ensure the machine is in a safe, working condition.**
4. **Perform only maintenance instructions described in this manual.** Unauthorized maintenance operations or machine modifications may result in unsafe operating conditions.
5. If the engine must be running to perform a maintenance adjustment, **keep hands, feet and clothing away from moving parts. Do not wear jewelry or loose clothing.**

6. **Always use the proper engine service manual when working on the engine.** Unauthorized maintenance operations or modifications to the engine may result in unsafe operating conditions.
7. Altering the machine in any manner which adversely affects its operation, performance, durability or use **will VOID the warranty** and may cause hazardous conditions.
8. Never attempt to disconnect any safety devices or defeat the purpose of these safety devices.
9. Do not change the engine governor settings or overspeed the engine. The governor has been factory-set for maximum-safe engine operating speed.
10. **Use genuine factory replacement parts.** Substitute parts may result in product malfunction and possible injury to the operator and/or others.

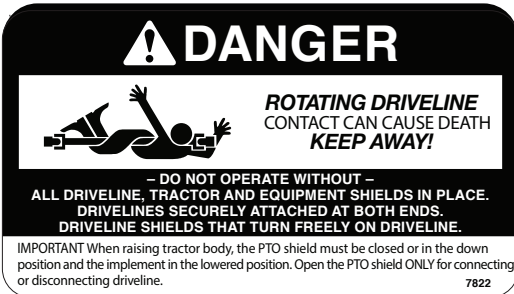
**IMPORTANT:** Keep all applicable manuals immediately accessible to anyone who may operate or service this machine.

# Safety Instructions

## SAFETY, CONTROL, AND INSTRUCTION DECALS

Safety, Control, and Instruction Decals are installed on the machine; if any are missing, illegible, or damaged, a replacement should be ordered and installed before putting the machine into operation. The Decal Part Number is listed below and in the Parts Manual.

**Safety Decal: Rotating Driveline**  
**Location: PTO Shield**  
**Part Number: 7822**



**Safety Decal: Rotating Driveline**  
**Location: PTO Guard**  
**Part Number: 657763 (RAD)**



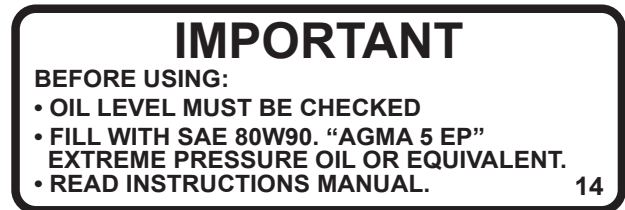
**Lubrication Decal: Lubricate Chain**  
**Location: Snowblower housing**  
**Part Number: 657804 (RAD)**



**Safety Decal: Keep Hands Out**  
**Location: Discharge Chute**  
**Part Number: 657761 (RAD)**



**Safety Decal: Rotating Driveline**  
**Location: Above Serial Number Plate**  
**Part Number: 655683 (RAD)**



# Safety Instructions

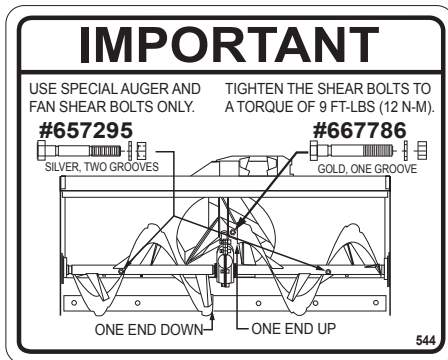
## SAFETY, CONTROL, AND INSTRUCTION DECALS

Safety, Control, and Instruction Decals are installed on the machine; if any are missing, illegible, or damaged, a replacement should be ordered and installed before putting the machine into operation. The Decal Part Number is listed below and in the Parts Manual.

**Safety Decal: Safety Procedures**  
**Location: Discharge Chute**  
**Part Number: 660988 (RAD)**



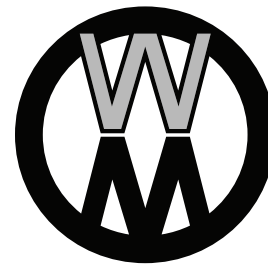
**Important Decal: Shear Bolts**  
**Location: Inside Housing Behind Auger**  
**Part Number: 2500574 (RAD)**



**Safety Decal: Rotating Auger**  
**Location: Snowblower Housing**  
**Part Number: 657762 (RAD)**



**Decal: Walker Decal**  
**Location: Snowblower Housing**  
**Part Number: 5800-9**

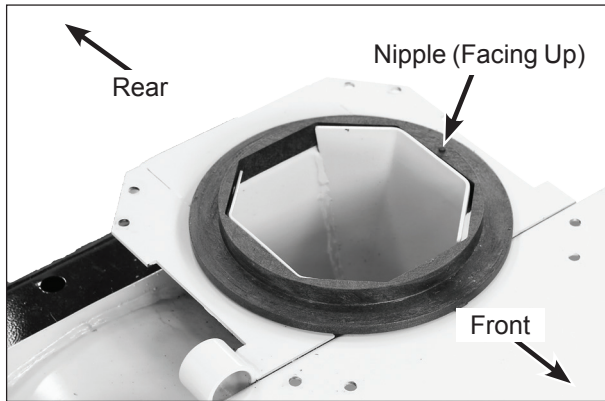


**Decal: Walker Decal**  
**Location: Snowblower Housing**  
**Part Number: 5809-2**



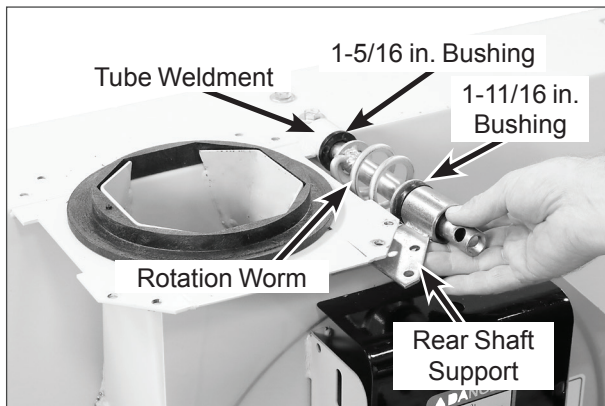
# Assembly Instructions

1. Remove the rear shaft support from the chute base lip and discard the existing bolt. Refer to **Install Rotation Worm Assembly** to locate the rear shaft support.
2. Place the plastic anti-friction insert over the chute base as shown in **Install Plastic Insert**. Only one position provides a perfect fit.



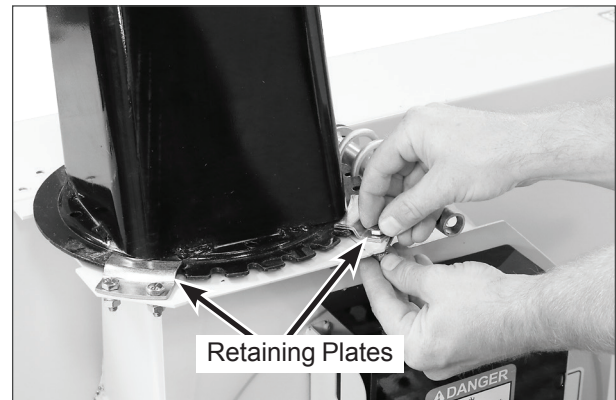
**Install Plastic Insert**

3. Insert the 1-5/16 in. (33 mm) (P/N I184) plastic bushing into the tube weldment, then insert the 1-11/16 in. (43 mm) (P/N I186) plastic bushing into the rear shaft support and place over the shaft on the rotation worm as shown in **Install Rotation Worm Assembly**.
4. Install the rotation worm assembly into the tube weldment with the rear shaft support plate on the underside of the chute base lip as shown in **Install Rotation Worm Assembly**.



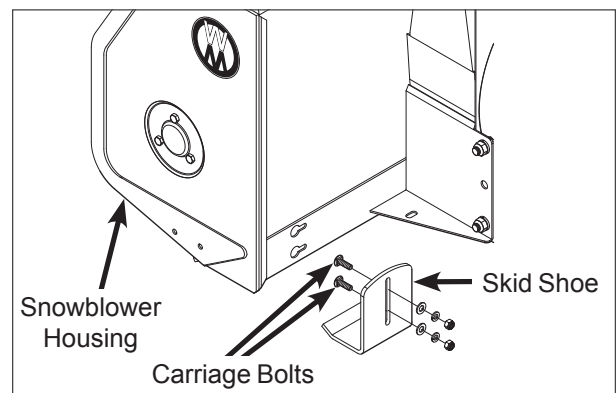
**Install Rotation Worm Assembly**

5. Install the chute over the plastic insert and secure with four retaining plates as shown in **Install Chute and Retaining Plates**, using two (2) 1/4-20 x 3/4 in. bolts (F032), lock washers, and 1/4-20 hex nuts (F381) in each of the four (4) standard retaining plates. Tighten all bolts to 10 ft-lb (13.6 N•m).



**Install Chute and Retaining Plates**

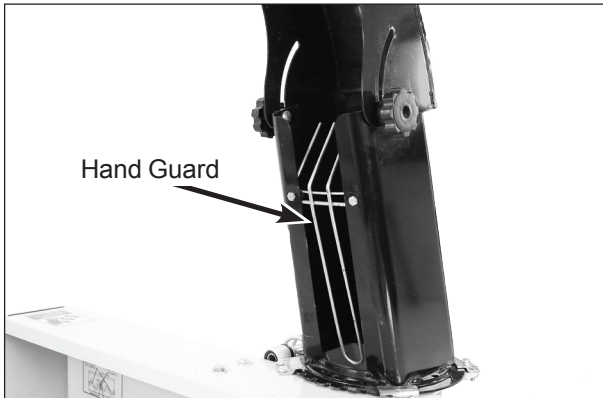
6. Insert two (2) 5/16 x 1 in. carriage bolts (F169) through each of the skid shoes from inside the bend. Place a 3/8 SAE washer (F051), 5/16 split lock washer (F168), and 5/16-18 ESNA Nut (F020) loosely on each bolt and place the bolt heads through the round holes in the outer ends of the bottom angle of the snowblower body as shown in **Install Skid Shoes**. Adjust the skid shoes to allow the required clearance under the cutting edge. Slide the square shank portion of the bolt head into the slot and tighten the nuts securely. Refer to **ADJUSTMENTS - Skid Shoes** in **Maintenance** section.



**Install Skid Shoes**

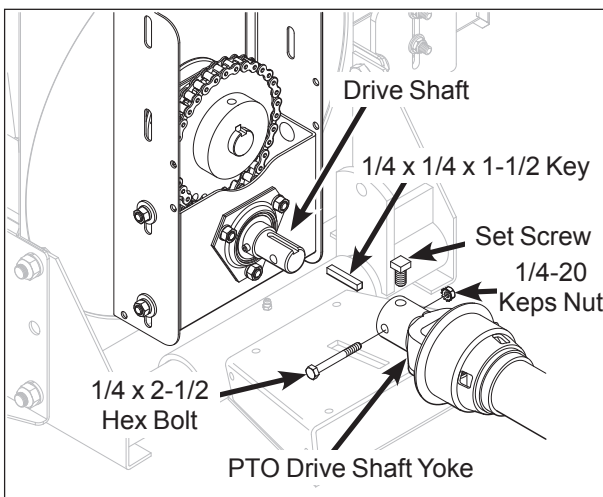
# Assembly Instructions

7. Install the hand guard on the chute, with the top section inside the chute and the bottom section outside the chute base ring. Place two (2) 1/4-20 x 3/4 in. hex bolts (F032) through the chute and the hand guard. Secure bolts with a 5/16 SAE washer (F049), and 1/4-20 hex nut (F381). Position each bolt with the head on the outside of the chute and the nut on the inside, and torque bolts to 10 ft-lbs (13.6 N•m).



**Installing Hand Guard on Chute**

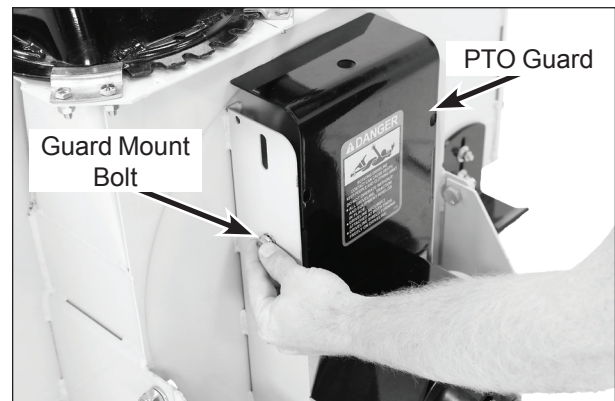
8. Thoroughly clean the drive shaft yoke and install a 1/4 x 1/4 x 1-1/2 in. key (F149) in the drive shaft keyway as shown in **Attach PTO Drive Shaft Yoke to Snowblower Drive Shaft**.



**Attach PTO Drive Shaft Yoke to Snowblower Drive Shaft**

9. Slide the drive shaft yoke over the drive shaft.

10. Secure the yoke to the drive shaft with a 1/4 x 2-1/4 in. hex bolt (F271) and 1/4-20 keps nut (F004). Tighten the nut and the 3/8-16 x 3/4 set screw (F318) securely over the key in the yoke.
11. Install one (1) 5/16-18 x 1/2 in. hex bolt on each side of the PTO guard, and tighten securely.



**Install PTO Guard**



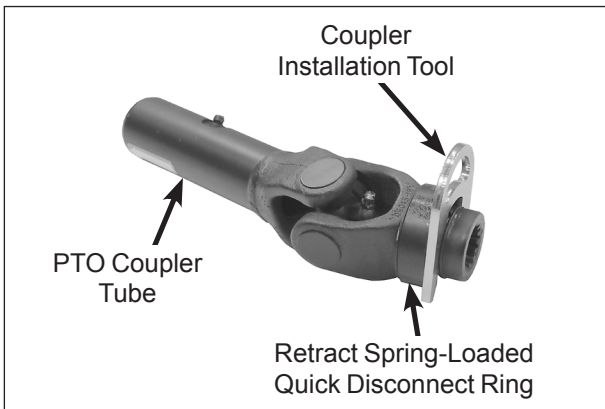
# Installation Instructions

1. Grease the drive shaft spline sliding surfaces and slide the PTO coupler (tractor half) onto the shaft as shown in **Install PTO Coupler on Drive Shaft** photo.



**Install PTO Coupler on Drive Shaft**

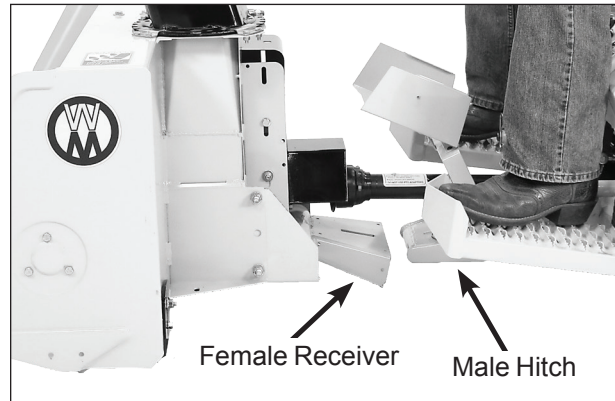
2. Retract the spring-loaded quick disconnect ring on the PTO Coupler and insert the Coupler Installation Tool (provided in Owner's Packet) as shown in the photo below.



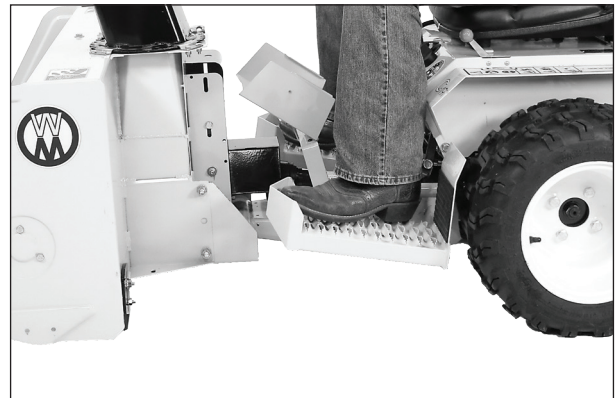
**PTO Coupler Installation Tool**

3. Insert the male quick hitch section of the implement hitch into the female socket of the snowblower as shown in **Male to Female Hitch Connection** photo.
4. Lock the snowblower on the hitch using the following instructions for either the H10 or H19 hitch:

## H10: LOCKING/REMOVING IMPLEMENTS



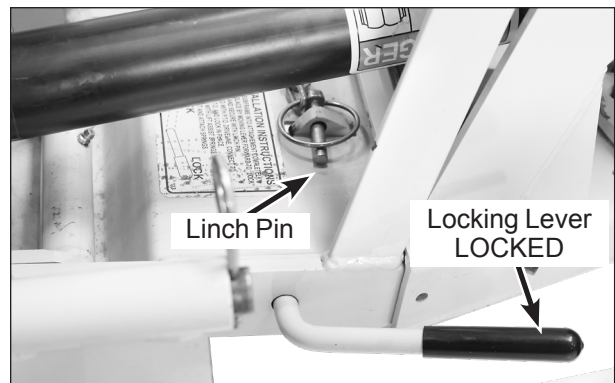
**Male to Female Hitch Connection  
(H12 Snowblower Implement Shown)**



**Hitch Connected to Snowblower**

All implements must be locked in place on the implement hitch **before beginning any operation**.

- **Locking:** Rotate the hitch lock lever **fully forward** to the **LOCKED** position, and secure the hitch latch with the linch pin as shown in **Hitch Lock Lever in "LOCKED" Position** photo.

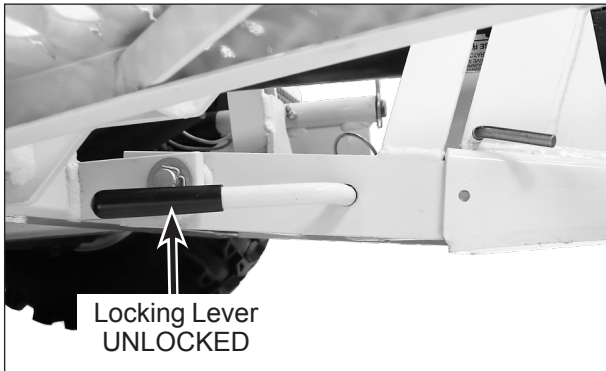


**H10 Hitch Lock Lever in "LOCKED" Position  
(View From Right Side of Tractor)**



# Installation Instructions

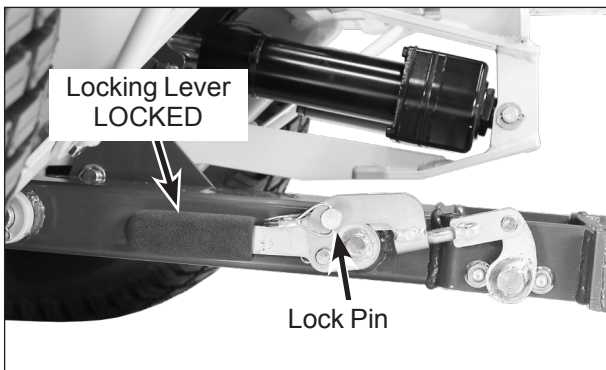
- **Removing:** Remove the lynch pin from the latch and move the hitch lock lever backward to the **UNLOCKED** position as shown in **Hitch Lock Lever in “UNLOCKED” Position** photo.



**H10 Hitch Lock Lever in “UNLOCKED” Position  
(View From Right Side of Tractor)**

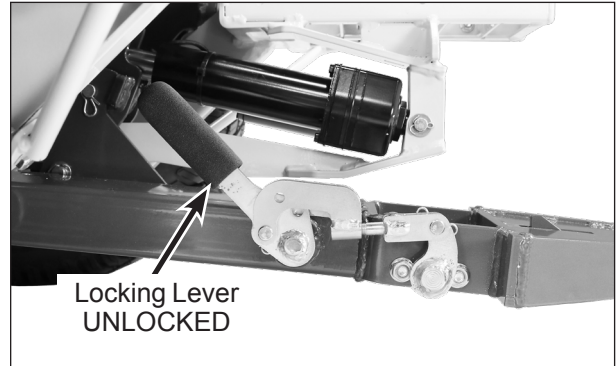
## H19: LOCKING/REMOVING IMPLEMENTS

- **Locking:** Rotate the hitch lock lever **fully backward** to the **LOCKED** position, and secure the lever with the lock pin as shown in **Hitch Lock Lever in “LOCKED” Position** photo.



**H19 Hitch Lock Lever in “LOCKED” Position  
(View From Right Side of Tractor)**

- **Removing:** Remove the lock pin, and move the hitch lock lever forward to the **UNLOCKED** position as shown in **Hitch Lock Lever in “UNLOCKED” Position** photo.



**H19 Hitch Lock Lever in “UNLOCKED” Position  
(View From Right Side of Tractor)**

5. Attach the PTO coupler to the tractor PTO shaft. Remove the installation tool and make sure the coupler is secured properly to the tractor PTO shaft, and that the quick disconnect ring is in the **LOCKED** position as shown in **Quick Disconnect Ring in “Locked” Position** photo (see next page). After installation, pull on the PTO coupler to check for security.

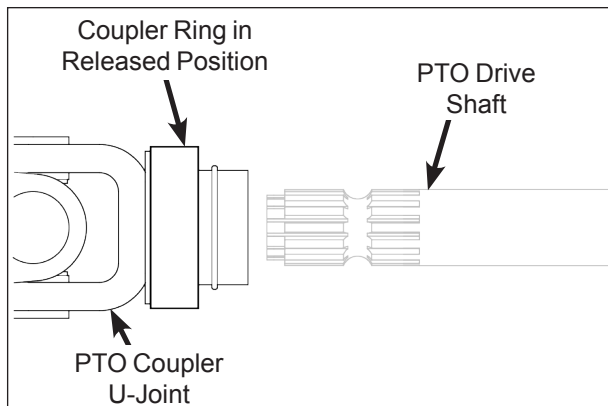
## **WARNING**

The PTO shaft turns at high RPM. If the coupler is not locked to the shaft at the tractor end, or if the yoke at the snowblower end is not secured properly, the drive shaft can fly loose with great force, capable of causing serious injury or death.

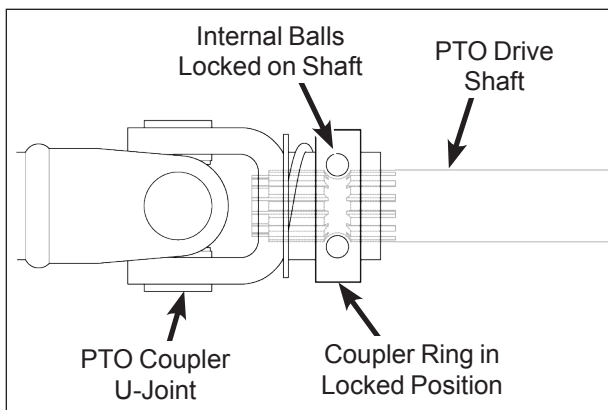
**IMPORTANT:** DO NOT operate tractor with coupler installation tool installed.

**IMPORTANT:** To prevent damage to the mower, make sure the PTO quick disconnect is securely locked on the tractor, with the locking balls fully seated in the groove and the ring in the locked position (refer to **Quick Disconnect Ring in “Locked” Position**). After installation pull on the PTO coupler to check for security.

# Installation Instructions



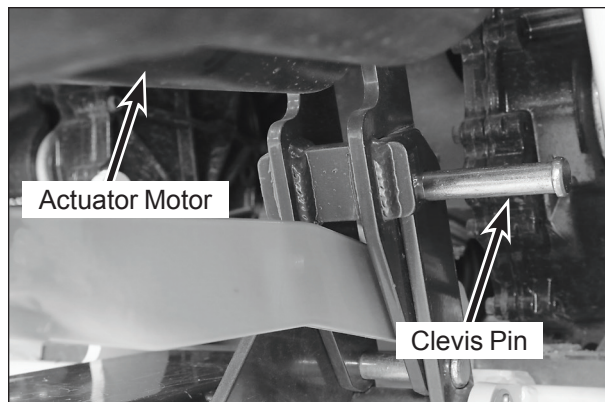
Quick Disconnect Ring in “Released” Position



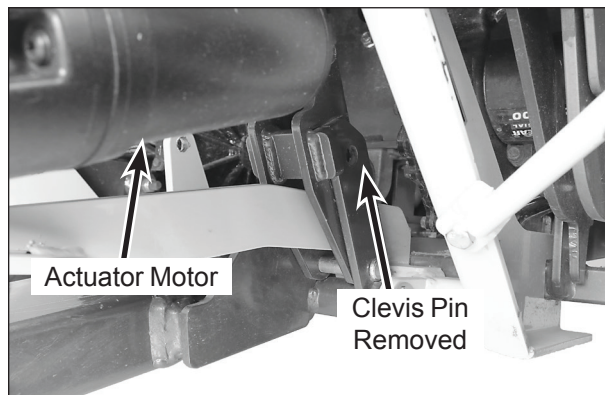
Quick Disconnect Ring in “Locked” Position

## H19: FLOAT FUNCTION ADJUSTMENT

- **NON-FLOATING:** Insert the clevis pin (refer to **Non-Float Setting With Clevis Pin Installed**) through the rear actuator mount and secure with the bowtie cotter pin. Install the clevis pin to allow for **downward pressure** on the implement.
- **FLOATING:** Remove the bowtie cotter pin, and remove the clevis pin from the rear actuator mount (refer to **Float Setting With Clevis Pin Removed**). Removing the clevis pin will allow a **free floating** implement.

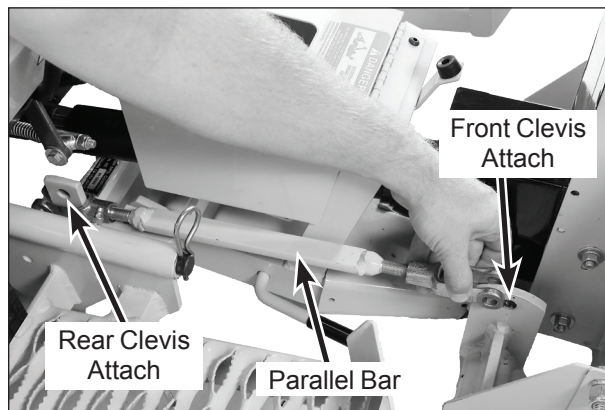


Non-Float Setting With Clevis Pin Installed



Float Setting With Clevis Pin Removed

6. Attach the parallel bar to the female hitch and the implement adaptor using the two clevis pins and spring clips. Adjust the length of the parallel bar by turning either end clockwise to shorten, or counterclockwise to lengthen as needed to level the snowblower.



Attach Parallel Bar

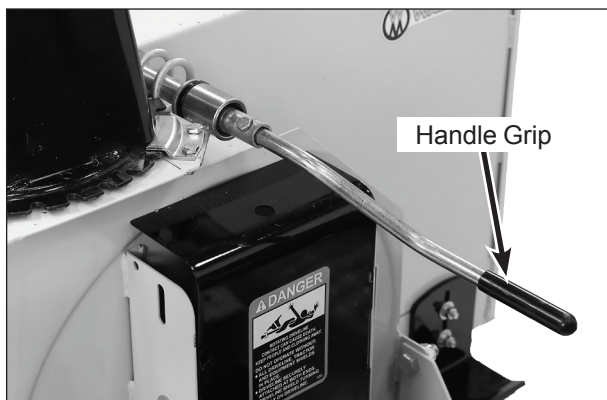
# Installation Instructions

7. Insert the chute rotation handle into the rotation worm. Align the holes and lock in place with a 1/4 x 1 in. socket head cap screw (F036) and nylon locknut (F005) as shown in **Install Chute Rotation Handle** photo.



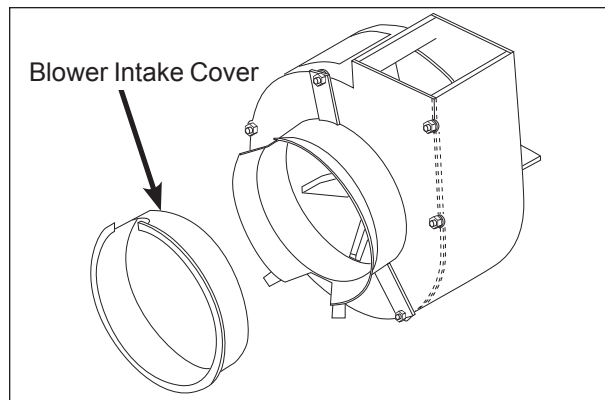
**Install Chute Rotation Handle**

8. Install the plastic handle grip on the chute rotation handle. Refer to **Install Handle Grip** photo.



**Install Handle Grip**

9. For GHS (Grass Handling System) equipped Walker tractors, install a blower intake cover (P/N 5595-2) in the blower intake tube. The cover “unloads” the blower and seals the intake to effectively eliminate power loss and noise when the blower is not being used.
10. Counterweight should be installed on the tail of the tractor for stability when transporting the tractor with the snowblower in raised position. Optional tail weights for the various tractor models are available from your Walker dealer, or a sandbag or similar weight may be used.



**GHS Blower Intake Cover**

# Operating Instructions

## PREOPERATION CHECKLIST

Before operating the snowblower for the first time, and as a routine **before daily operations**, it is important to make sure the machine is properly prepared and ready for operation. The following is a list of items to be checked. For machines with frequent operation, some of these items will not need to be checked every day, but the operator should be aware of the condition of each.

### TRACTOR

CHECK TRACTOR PREOPERATING CHECKLIST

Refer to the appropriate Tractor Operator's Manual.

CHECK TRACTOR TAILWEIGHT

Make sure sufficient weight has been securely installed on rear of tractor (approximately 80 lbs. on most tractor models).

CHECK OPTIONAL TIRE CHAINS

Tire chains should always be used when operating the machine in icy conditions. If the tractor is equipped with the optional tire chains, make sure the chains are in good condition and are installed properly.

### IMPLEMENT HITCH

CHECK LIFT SWITCH OPERATION

Raise and lower the implement hitch to make sure the lift switch and linear actuator operate properly.

CHECK HITCH LOCKING LEVER

Inspect the locking mechanism for secure mounting of snowblower on hitch. Refer to **Hitch Locking Lever** in locked position in step 4 of **Installation Instructions**.

### SNOWBLOWER

CHECK SKID SHOE FOR WEAR AND PROPER ADJUSTMENT

See **ADJUSTMENTS - Snowblower Skid Shoes** in the **Maintenance** section of this manual.

ADJUST THE PARALLEL BAR SO THAT THE SNOWBLOWER RUNS LEVEL.

See step 6 in **Installation** instructions

CHECK CUTTING EDGE

Make sure the cutting edge is not damaged or worn beyond limits. Refer to **REPLACING AND REPAIRING PARTS - Snowblower Cutting Edge** in the **Maintenance Instructions**.

CHECK AUGER AND IMPELLER

- Make sure the auger and impeller are clear of snow and/or ice.
- Make sure the auger and impeller are free to rotate.
- Check that the auger flighting and impeller blades are in good condition and not bent.

CHECK CHUTE AND DEFLECTOR

- Make sure the chute and deflector are not clogged with snow and/or ice.
- Turn the chute rotation handle and rotate the chute. The chute should rotate freely.
- Loosen the deflector position knobs to raise and lower the deflector. The deflector should move freely. Retighten deflector position knobs with the deflector in the desired position.

CHECK GEARBOX OIL LEVEL

Inspect for any sign of an oil leak. Refer to **LUBRICATION - Snowblower Gearbox** in the **Maintenance Instructions** of this manual.

CHECK SHEAR BOLTS

Check the three (3) shear bolts, one on each auger section, and one between the fan and gearbox for proper tightness, approximately 8 lb-ft (11 N•m).

CHECK REDUCTION CHAIN

Refer to **LUBRICATION - Snowblower Reduction Chain** in the **Maintenance Instructions**.

Refer to **ADJUSTMENTS - Snowblower Reduction Chain Tension** in the **Maintenance Instructions**.



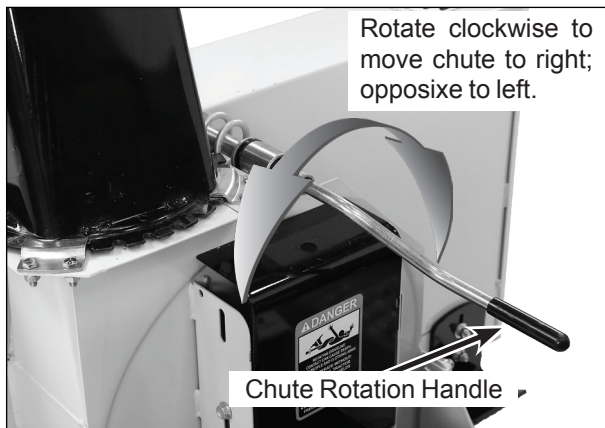
# Operating Instructions

## SNOWBLOWER CONTROLS

### *Chute Rotation Handle*

The chute rotation handle is located on the rear of the snowblower, behind and to the right of the discharge chute. The chute rotates in a 228 degree arc, by cranking the rotation handle.

- Turning the handle clockwise rotates the chute to the right.
- Turning the handle counterclockwise rotates the chute to the left.



**Chute Rotation Handle**

### *Deflector Position Knobs*

Set the angle of the deflector according to the distance the snow must be thrown. To adjust the deflector angle:

1. Loosen the two knobs on the sides of the deflector.
2. Slide the deflector to the required angle, and securely retighten the two knobs.

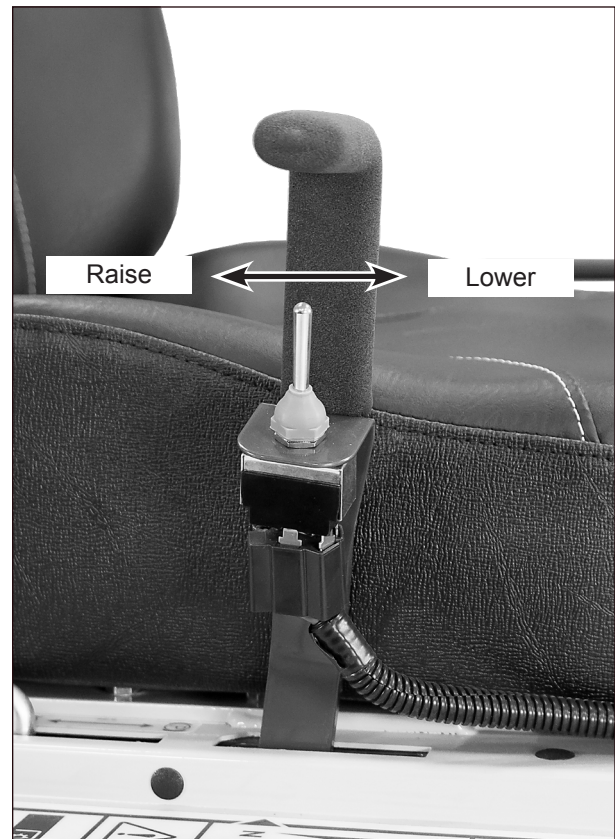


**Deflector Position Knobs**

### *Raising/Lowering*

The snowblower is raised or lowered using the toggle switch located on the FSC lever as shown in **Lift Control** photo.

- Move the switch forward to lower the implement.
- Move the switch backward to raise the implement.



**Lift Control**

# Operating Instructions

## SNOWBLOWER OPERATION

### CAUTION

Before operating the snowblower, read and understand all Safety Instructions and Operating Instructions.

### WARNING

If an implement is installed on the hitch, it must be locked in place before beginning any operation

### Engaging the Snowblower

1. Set the engine throttle at about 1/3 speed. **DO NOT attempt to engage the PTO clutch at high engine speeds.** This will drastically shorten drive belt life. Use only **moderate engine speed** when engaging the PTO clutch.
2. Pull the PTO clutch lever **SLOWLY AND SMOOTHLY** to engage the snowblower.

**NOTE:** For cold weather operation, allow sufficient time for the snowblower components (i.e. gearbox oil) to warm up before beginning to blow snow.

### DANGER

A safety interlock switch (seat switch) will cause the engine to stop if the PTO clutch is engaged and the operator is not in the seat. The function of this switch should be checked by the operator raising off the seat and engaging the PTO clutch; the engine should stop. If the switch is not working, it should be repaired or replaced before operating the snowblower. **DO NOT disconnect the safety switches; they are for the operator's protection.**

**IMPORTANT:** **DO NOT** engage the PTO clutch when transporting the machine. **DO NOT** engage the PTO clutch with the PTO shaft disconnected (the snowblower removed from the tractor).

### DANGER

If the auger strikes a solid object or the machine begins to vibrate abnormally, immediately disengage the PTO clutch, stop the engine, and wait for all moving parts to stop. Disconnect the fuel solenoid wire [diesel engines] or the spark plug wire(s) [gasoline engines] to prevent accidental starting. Thoroughly inspect the snowblower and repair any damage before starting the engine and operating the machine. **Make sure auger blades are in good condition and all bolts are tight.**

## RECOMMENDATIONS FOR SNOWBLOWING

**IMPORTANT:** Operate the engine at **full speed** when snowblowing to allow the engine to produce full horsepower and to increase efficiency of the engine cooling system.

- When operating on a slope, reduce speed and use caution when starting, stopping, and maneuvering. Avoid sharp turns or sudden changes in direction.
- When blowing through deep snow drifts, let the snowblower work its way through the drifts. For best results, raise the snowblower and remove a top layer of snow, then pass through the area a second time to remove the remaining snow.
- When snowblowing, operate the engine at or near **full throttle** for the best snowblowing action. The engine is **designed to be operated at full speed.**
- Use optional tire chains or optional all-terrain tires to improve traction.
- Disengage the PTO clutch to stop the snowblower when driving the machine but not blowing snow.
- Avoid damage to property and extra snowblowing work by **carefully choosing the direction** to move the snow. **Orient the blower discharge away from people and property due to the possibility of thrown objects.**
- To momentarily increase traction in case the drive wheels are slipping, use the lift switch to raise the snowblower slightly and transfer extra weight on the drive wheels.



# Operating Instructions

## REMOVING SNOW

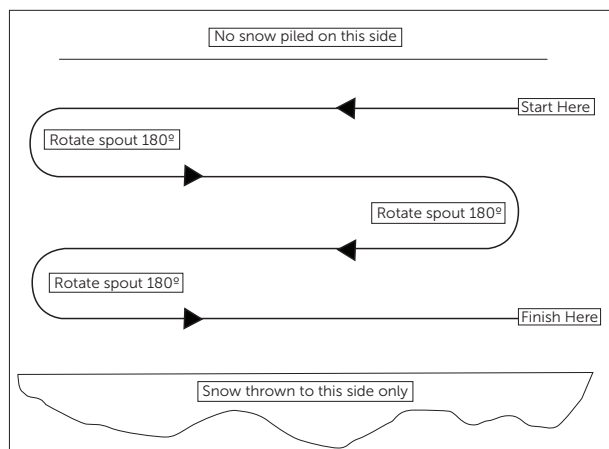


**DO NOT** blow snow with bystanders in the area (especially children or pets).

A definite operating pattern is required to efficiently clean snow from an area. Each pattern described below clears all the snow in one pass (of the pattern) and prevents throwing snow in unwanted places.

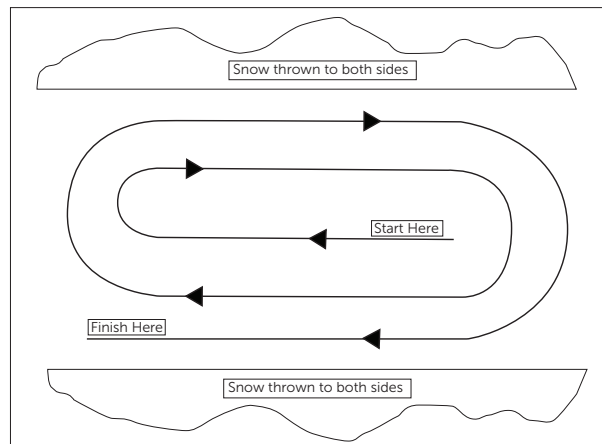
**IMPORTANT: DO NOT** use the snowblower as a dozer blade to push snow. Let the snowblower work its way through deep snow. **If the tractor is driven forward into snow too fast, the snowblower may become overloaded and clog.**

When snow can be thrown to only one side of an area, use the pattern shown in **Throw Snow to One Side** illustration. **Start on the side farthest from where the snow will be thrown. At the end of the first pass, rotate the blower spout 180 degrees for the return pass.** At the end of each following pass, rotate the spout 180 degrees to keep throwing snow in the same direction.



### Throw Snow to One Side

When snow can be thrown to both sides of an area, use the pattern shown in **Throw Snow to Both Sides** illustration. **Start in the middle with the blower spout directed to either the left or the right. Drive from one end to the other in an outward spiral without changing the position of the blower spout to throw snow on both sides.**



### Throw Snow to Both Sides

## CLOGGING CHECKLIST

In case of clogging, the snow throwing action will decrease and finally stop. When this occurs, disengage the PTO clutch, stop the engine, disconnect the fuel solenoid wire [diesel engines] or spark plug wire(s) [gasoline engines], and remove the ignition key. **Make sure all movement has stopped before attempting to unclog.**



**DO NOT** attempt to unclog the snowblower or make any adjustments with the tractor engine running. Disengage the PTO clutch, stop the engine, and wait for all moving parts to stop before unclogging the snowblower.



**NEVER** place hands in the blower spout. **DO NOT** use hands or feet to unclog the snowblower. Use a short stick or similar tool to remove any clogged material.

The following list of items should be checked if a pattern of clogging begins to develop. All of these items are capable of causing clogging:

- Check that the inside of the snowblower housing is **clean and free of snow and/or ice build-up.**

# Operating Instructions

- Check that the auger and impeller shear pins are present.
- Check that the auger is in good condition and not bent (both the auger flighting and the center paddles).
- Check the inside of the blower chute for **smoothness and freedom of obstruction**.

Remember, anything that restricts airflow or material flow along the entire path from the auger to the blower chute can cause clogging.

## REMOVAL AND STORAGE

### *H10 and H19 Instructions*

1. Park the tractor on a level surface and lower the snowblower.
2. Remove the spring clip and clevis pin from the parallel bar at the hitch end, and remove the parallel bar from the implement hitch.
3. Remove the linchpin from the quick hitch latch and place the hitch locking lever in the **UNLOCKED** position.
4. Start the tractor and carefully back the tractor away from the snowblower.

**NOTE: DO NOT engage the PTO clutch with the PTO shaft disconnected** (the snowblower removed from the tractor).

5. Remove the PTO coupler from the tractor.

### *Storing the Snowblower*

1. Clean and dry the snowblower thoroughly.
2. Repaint all parts from which paint has worn.

**NOTE:** Rustproofing or painting **every year** will prolong the life of the snowblower components and moving parts.

3. Lubricate all moving parts. Apply lubricant liberally to all exposed surfaces to protect against rust.
4. List the replacement parts that will be needed before the next use.
5. Store the snowblower in a dry place.

# Maintenance Instructions



## CAUTION

Maintenance procedures requiring special training or tools should be performed by a trained technician.



## WARNING

DO NOT perform any maintenance with the tractor engine running. Disengage the PTO clutch, shut off the machine, and remove the ignition key before performing any maintenance on equipment.

**MAINTENANCE SCHEDULE CHART - RECOMMENDED SERVICE INTERVALS**

Service Item	Daily	8 Hours	25 Hours	Reference Page
Perform Preoperation Checklist	x			17
Check Skid Shoe Wear/Adjustment		x		27
Check Cutting Edge Condition/Wear		x		25
Check Hitch Lock Tension (H19)		x		28
Lubricate Grease Fittings and Oil Points			x	23
Lubricate Reduction Drive Chain			x	23
Check Gearbox Oil Level			x	23
Check and Adjust Reduction Chain Tension			x	23, 27
Check Condition of Drive Sprockets			x	26

# Maintenance Instructions

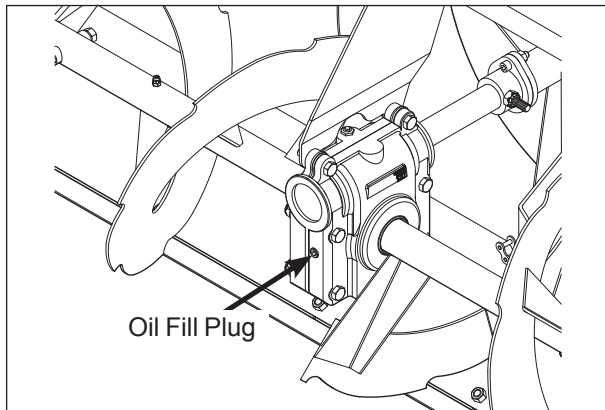
## LUBRICATION

Proper lubrication is an important maintenance procedure. It reduces wear and makes the machine quieter and easier to operate.

### *Snowblower Gearbox*

The gearbox is permanently lubricated (oil filled) and sealed requiring no scheduled lubrication. However, the gearbox oil seal(s) should be checked **daily** for any indication of an oil leak. If an oil leak is noted, the gearbox should be repaired before further operation. Gearbox oil level can be checked as follows:

1. Clean the area around the oil fill plug located on the front of the gearbox as shown in **Oil Fill Plug** illustration.
2. Remove the oil fill plug on the gearbox.
3. If the oil level is at the bottom of the plug hole, the gearbox is full. Reinsert the plug. If the oil level is below the plug hole, add SAE E.P. (Extreme Pressure) 90W lubricant into the gearbox through the plug hole until it starts to flow out.
4. Wipe the threads of the gearbox plug before re-installing.
5. Torque to 24 lb-in (3 N•m).



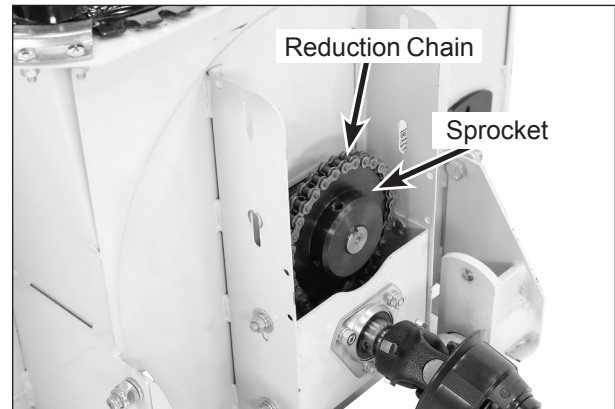
**Oil Fill Plug**

### *Snowblower Reduction Chain*

Lubricate the reduction chain **every 25 hours** of operation. A light penetrating oil or special purpose chain oil is recommended. Lubricate the reduction chain as follows:

1. Remove the bolts fastening the PTO guard to the reduction box and remove the guard.
2. Apply oil to the reduction chain.

3. Adjust the chain tension if necessary. Refer to **REPLACING AND REPAIRING - Snowblower Reduction Chain** and **ADJUSTMENTS - Snowblower Reduction Chain Tension** in this section.
4. Reinstall the PTO guard by reversing the removal procedure.



**Snow Blower Reduction Chain**

### *Grease Fitting and Oil Point Lubrication*

Lubricate the grease fittings and oil points **every 25 hours** of operation. Use SAE general purpose lithium or molybdenum base grease for grease fittings and light machine oil (SAE 10) to lubricate oil points. **Lubricate the locations** shown in the **Lubrication Points Diagram** on the following page.

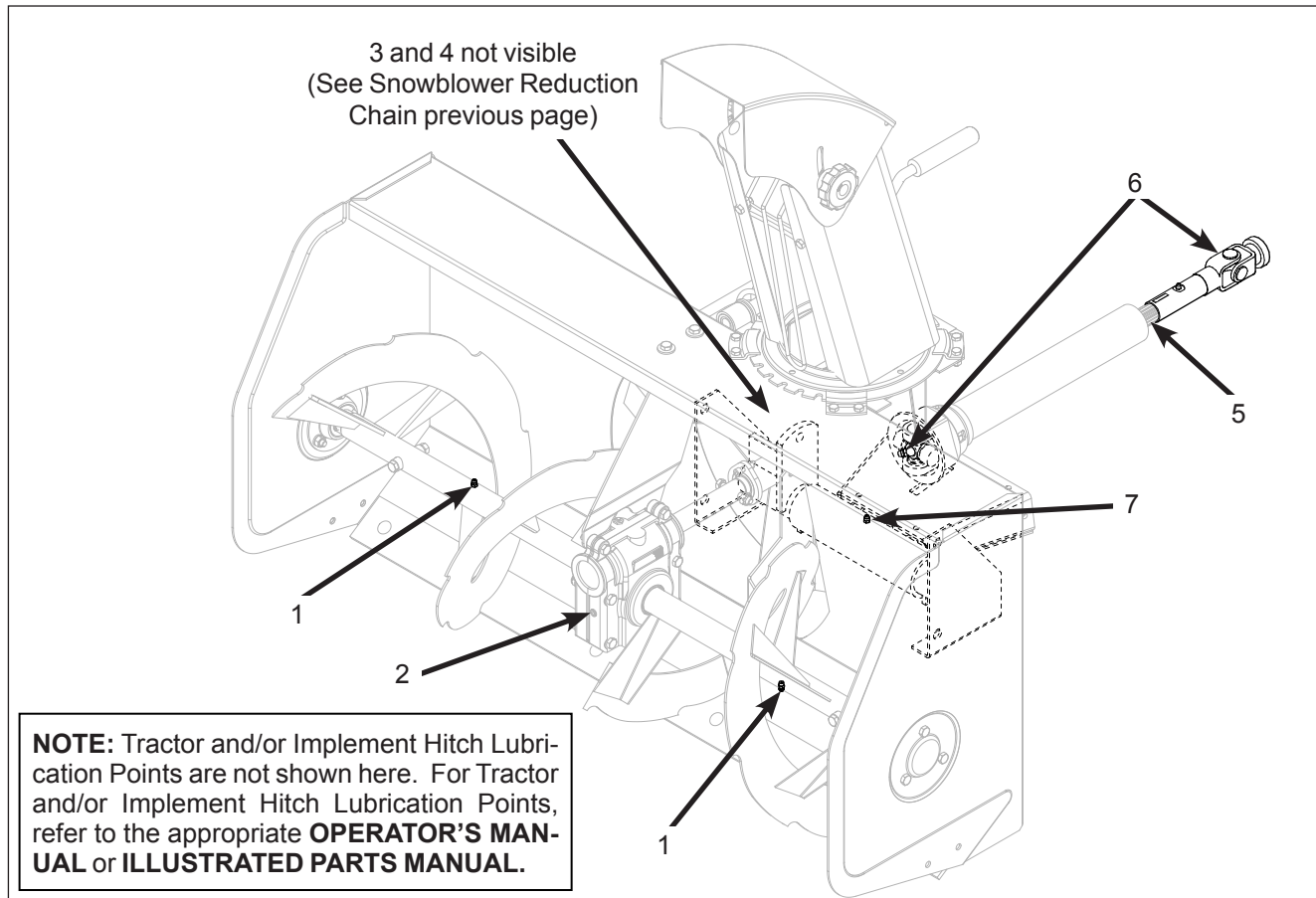
# Maintenance Instructions

Ident No.	Location	Lubrication Type	No. Places
1	Auger Sections	Grease	2
2	Gearbox	Oil*	1
3	Reduction Chain	Oil**	1
4	Sprockets	Oil	2
5	PTO Shaft Assembly (Spline Slide Area)	Grease	1
6	PTO Universal Joints	Grease	2
7	Quick Hitch Pivot	Grease	1

\* Gearbox is permanently lubricated and sealed requiring no scheduled lubrication. Oil level should be checked every 25 hours or when an oil leak is noted. Refer to **LUBRICATION - Snowblower Gearbox** in this section.

\*\* Lubricate chain after every 25 hours of operation. Refer to **LUBRICATION - Snowblower Reduction Chain** in this section.

## LUBRICATION POINTS DIAGRAM



# Maintenance Instructions

## REPLACING AND REPAIRING PARTS



### WARNING

To prevent accidental engine starting when replacing parts or repairing the machine, remove the key from the ignition switch and disconnect the fuel solenoid wire [diesel engines] or the spark plug wire(s) [gasoline engines].

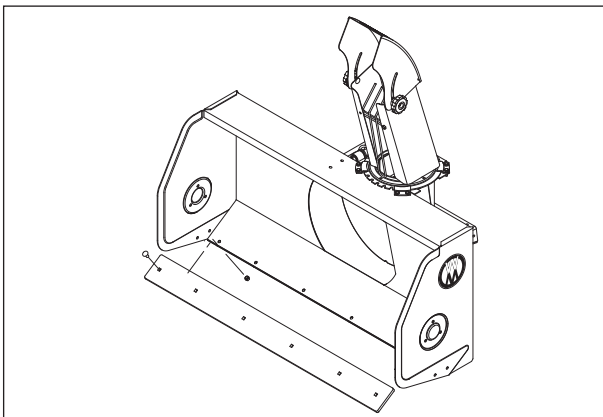
### Snowblower Cutting Edge

The cutting edge should be rotated or replaced before it is worn to the point that the snowblower housing can make contact with the ground. **Operating with an overly worn cutting edge will damage the snowblower.**

**NOTE:** The cutting edge of the snowblower is reversible and needs to be replaced only when both the top and bottom edges have worn.

Replace the snowblower cutting edge as follows:

1. Remove the six (6) 5/16-NC hex nuts and 5/16 in. lock washers from the rear of the snowblower housing, behind the cutting edge. Remove the six (6) 5/16-NC x 1 in. carriage bolts from the front of the cutting edge.
2. If only one edge of the blade is worn or damaged, rotate the blade 180 degrees so the new edge is now on the bottom. Reinstall the cutting edge onto the snowblower housing by reversing the removal procedure.
3. If both edges are worn or damaged, remove the cutting edge and install a new one by reversing the removal procedure.

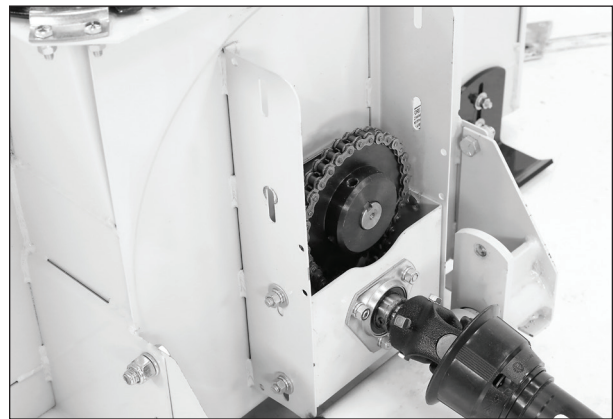


Snowblower Cutting Edge

### Snowblower Reduction Chain

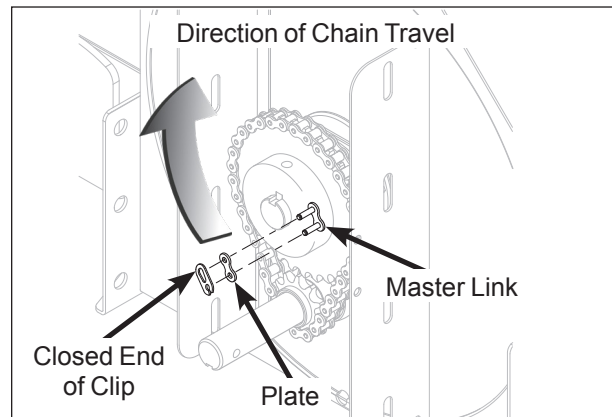
The reduction chain should be replaced if, when adjusted for proper tension, it can be pulled away from the top of the reduction sprocket **more than 1/2 the height of a tooth on the sprocket**. Running the snowblower with a worn chain **increases wear on the sprockets**.

1. Remove the bolts securing the PTO guard to the frame and remove the guard as shown in **PTO Guard Removed** photo.
2. Turn the reduction box drive shaft until the master link for the chain is accessible.
3. Remove the master link from the chain and remove the chain from the sprocket.



PTO Guard Removed

4. Place the new chain on the sprockets and install the master link. Install the clip on the master link properly. The **closed end of the clip** should point in the **direction of chain travel** as shown in **Replace Reduction Chain** illustration.



Replace Reduction Chain

(continued on next page)

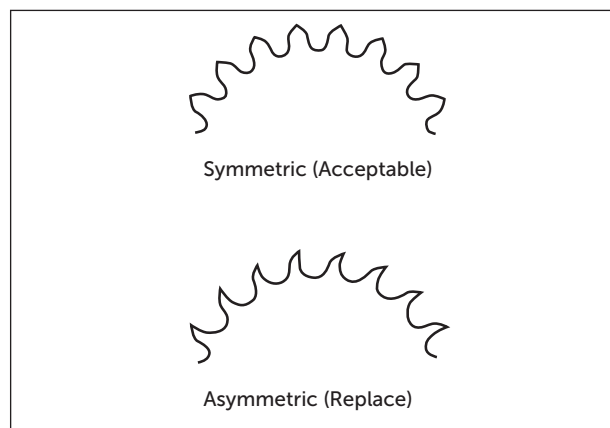


# Maintenance Instructions

5. Adjust the chain tension. Refer to **ADJUSTMENTS - Snowblower Reduction Chain Tension** in this section.
6. Reinstall the PTO guard by reversing the removal procedure.

## *Snowblower Reduction Sprockets*

A sprocket should be replaced **when the teeth become asymmetric** (when the front side of a tooth is a different shape than the back side of the tooth) as shown in **Reduction Sprocket Wear** illustration.



## **Reduction Sprocket Wear**

**NOTE:** Generally, a small sprocket wears faster than a large sprocket.

## *Replacing Drive Shaft with Sprocket (P/N I153)*

1. Remove the PTO guard and reduction chain. Refer to **REPLACING/REPAIRING PARTS - Snowblower Reduction Chain** in this section.
2. Remove the bolt and set screw retaining the U-joint shaft assembly to the drive shaft, and remove the U-joint shaft assembly from the drive shaft. Remove the three (3) carriage bolts, nuts and washers from the rear bearing flange.
3. Remove the four (4) carriage bolts and nuts securing the reduction box assembly to the frame and remove the reduction box assembly.
4. Loosen the set screws that secure the two (2) bearing collars to the shaft, and remove the shaft from the reduction box. Also remove the rear bearing from the shaft.
5. Install the new drive shaft (with sprocket) into the reduction box by reversing the removal procedure.
6. Reinstall the reduction box and chain by reversing the removal procedure.

7. Lubricate and tension the reduction chain. Refer to **LUBRICATION - Snowblower Reduction Chain**, and **ADJUSTMENTS - Snowblower Reduction Chain Tension** in this section. Reinstall the PTO guard.

## *Replacing Large Sprocket (P/N I161)*

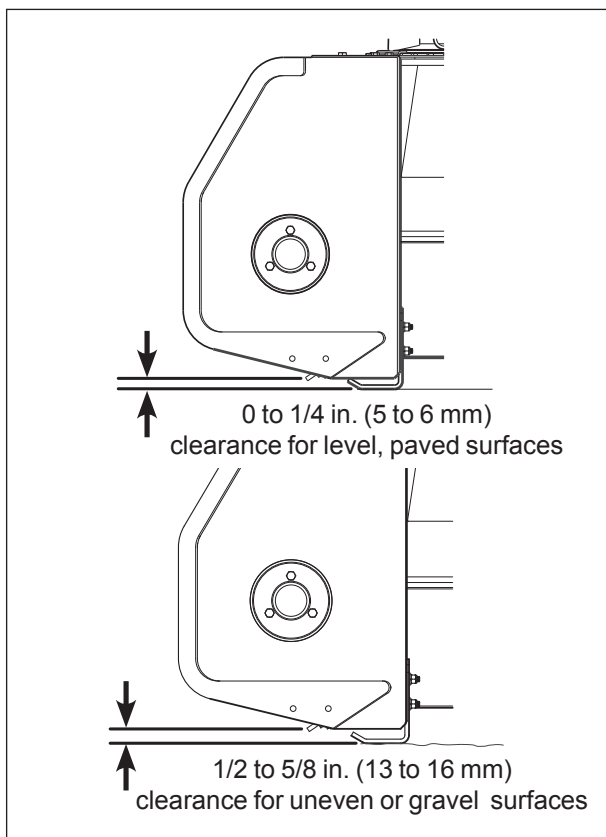
1. Remove the PTO guard cover and reduction chain. Refer to **REPLACING/REPAIRING PARTS - Snowblower Reduction Chain** in this section.
2. Remove the four (4) carriage bolts and nuts securing the reduction box assembly to the frame and remove the reduction box assembly.
3. Remove set screws on the large sprocket, and remove large sprocket from the gearbox drive shaft.
4. Install new large sprocket by reversing the removal procedure.
5. Reinstall the reduction box and chain by reversing the removal procedure.
6. Lubricate and tension the reduction chain. Refer to **LUBRICATION - Snowblower Reduction Chain**, and **ADJUSTMENTS - Snowblower Reduction Chain Tension** in this section. Reinstall the PTO guard.

# Maintenance Instructions

## ADJUSTMENTS

### *Snowblower Skid Shoes*

Adjust the skid shoes to allow the required clearance under the blade. On **level, paved surfaces**, adjust the skid shoes to allow 0 to 1/4 in. (0 to 6 mm) clearance between the cutting edge and the surface. On **uneven or gravel surfaces**, allow 1/2 to 5/8 in. (13 to 16 mm) clearance, depending on the size of the gravel. Refer to **Skid Shoe Height Adjustment** illustration.



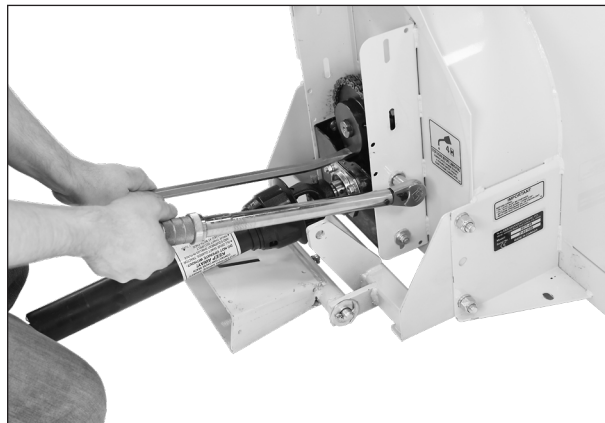
### **Skid Shoe Height Adjustment**

### *Snowblower Reduction Chain Tension*

Adjust the tension on the reduction chain as follows:

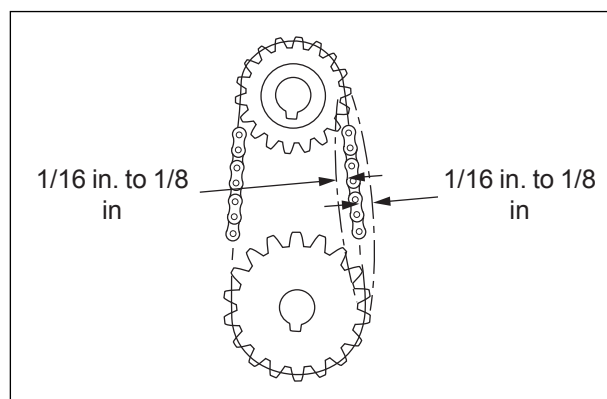
1. Remove PTO guard covering the reduction box.
2. Loosen the four (4) carriage bolts and nuts securing the reduction box assembly to the frame.
3. Using a pry bar, apply leverage to push the reduction box assembly down to increase tension on the chain. The chain should have 1/16 to 1/8 in. of slack.

4. While applying downward pressure to maintain chain tension, tighten the four (4) carriage bolts and nuts to 25 ft•lbs (34 N•m) as shown in **Tensioning Reduction Chain** photo.



### **Tensioning Reduction Chain**

5. After torquing fasteners, verify correct chain tension as described in step 3.
6. Reinstall the PTO guard.



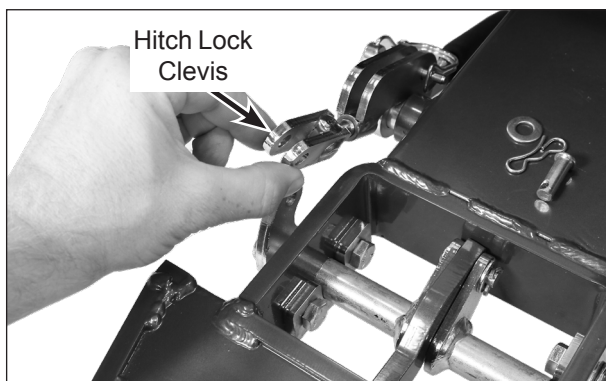
### **Correct Chain Tension**

# Maintenance Instructions

## *H19 Hitch Lock Tension Adjustment*

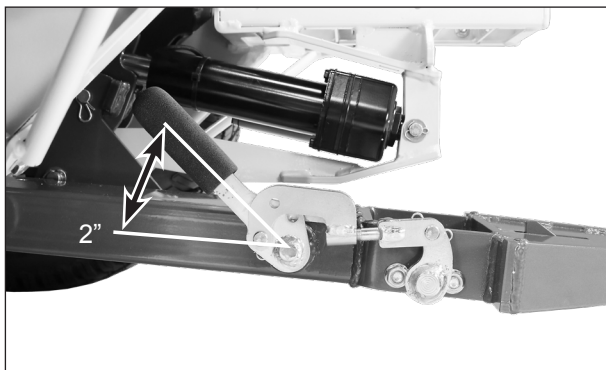
After installing an implement onto the hitch, the hitch lock clevis will need to be adjusted according to the following procedure:

1. Adjust the H19 hitch lock clevis to properly secure the implement. To adjust the tension on the tongue latch, remove the bowtie clip and the clevis pin as shown in **Tongue Latch Tension Adjustment**, and twist the male clevis clockwise to tighten, or counterclockwise to loosen, as needed.



### **Tongue Latch Tension Adjustment**

2. The hitch lock lever should travel approximately 2" at grip end after implement hitch adapter is fully seated on implement hitch tongue as shown in **Hitch Lock Lever Travel**.



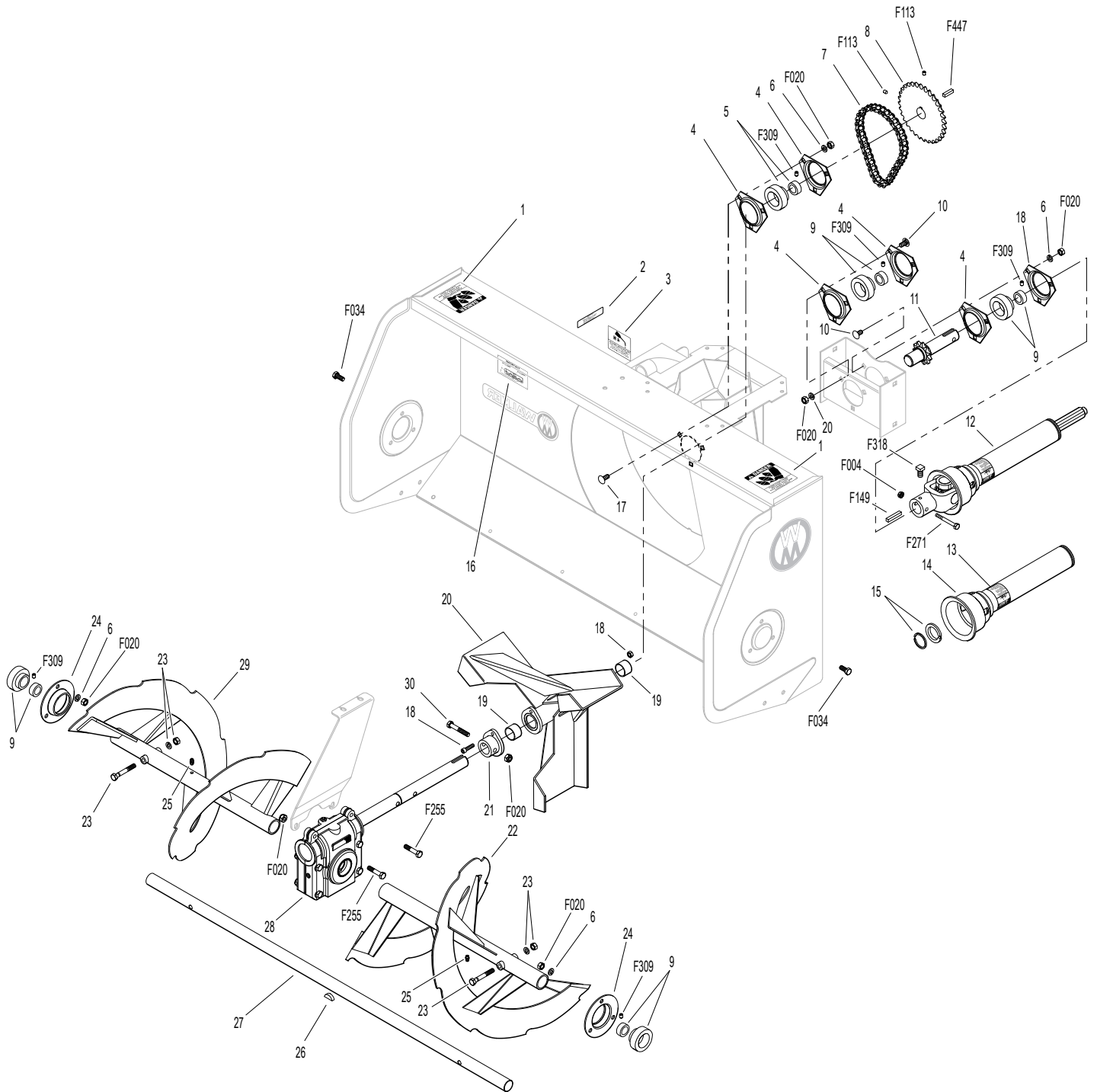
### **Hitch Lock Lever Travel**

3. **Repeat adjustment procedure after first 15 minutes of operation** after installing implement (after the implement has "seated" on the hitch during operation).

## SNOWBLOWER DRIVE COMPONENTS (H12)

ITEM NO.	WLK PART NO.	RAD PART NO.	DESCRIPTION	NO. REQ'D	ITEM NO.	WLK PART NO.	DESCRIPTION	NO. REQ'D
<b>Driveline and Auger Components</b>					<b>Fasteners</b>			
1	I394	657762	Decal, Rotating Auger	2				
2	NS	655683	Decal, Check Oil Level	1	F004		1/4-20 Keps Nut	1
3	NS	657804	Decal, Lubricate Chain	1	F034		5/16-18 x 3/4 Hex Bolt	6
4	I120	656589	Bearing Flange	6	F113		5/16-18 x 5/16 Set Screw	2
5	I434	665495	Bearing With Locking Collar	1	F149		1/4 x 1/4 x 1-1/2 Key	1
6	F168		5/16 Split Lock Washer	15	F235		5/16-18 x 2-1/2 Hex Bolt	4
7	I163	656570	40 x 38 Chain	1	F255		5/16-18 x 1-1/2 Hex Bolt	2
8	I161	656543	Sprocket (H40B32)	1	F271		1/4-20 x 2-1/4 Hex Bolt	1
9	I512	665494	1" Bearing (Includes Item # F309)	4	F309		1/4-28 x 1/4 Set Screw	5
10	O/L		5/16-NC x 5/8 Carriage Bolt	6	F318		3/8-16 x 3/4 SQH Set Screw	1
11	I153	657250	Drive Shaft (with Sprocket), H40C11	1	F447		1/4 x 1/4 x 1 Key	1
12	6671-10		U-Joint Shaft Assembly, Spline (Includes Items # 27-29)	1	<b>NOTE:</b> Decals are illustrated in greater detail on pages 6-7 of this manual.			
13	I395	657763	Decal, Rotating Driveline	1	<b>NOTE:</b> NS items are "Not Sold" by Walker Manufacturing.			
14	6671-1	6671-1	PTO Outer Shield	1	<b>NOTE:</b> O/L indicates "Obtain Locally."			
15	6651-5		Bearing & Retainer Kit	1				
16	NS	657346	Decal, Use Shear Bolts	1				
17	I543	0300002	Carriage Bolt, 5/16 x 3/4	3				
18	I105	656053	Shear Bolt (1/4-NC x 1) With Locknut	1				
19	I209	4300055	Bushing	2				
20	I102	657327	Fan Assembly (Includes Item # 33)	1				
21	I104	655874	Fan Adapter Shear Plate	1				
22	666732		Auger, LH	1				
23	I114	667786	Shear Bolt (5/16-18 x 2-1/4) Lock & Nut	2				
24	I113	657334	Bearing Flange	2				
25	5830	654106	Grease Fitting	2				
26	I130	655967	Woodruff Key	1				
27	I129	657286	Output Shaft	1				
28	I200	4500035	Gearbox (Includes Items # 1-14)	1				
	I101	663030	Gearbox (Usimax)	1				
	NS	665775	Seal Kit	1				
29		666731	Auger, RH	1				
30	I106	0100024	5/16-18 x 2 Hex Bolt, Grade 8	1				

# SNOWBLOWER DRIVE COMPONENTS (H12)



Beginning S/N 21810237  
Use only genuine Walker® replacement parts

# SNOWBLOWER HOUSING COMPONENTS (H12)

ITEM NO.	WLK PART NO.	RAD PART NO.	DESCRIPTION	NO. REQ'D
----------	--------------	--------------	-------------	-----------

### Chute Rotation Assembly

1	I169	661168	Chute, Base and Knobs (Includes items 1-5, 7,8, and 16)	1
2	I396	657761	Decal, Keep Hands Out	1
3	I172	658468	7/16 Nylon Washer	2
4	I171	658467	11/32 Nylon Washer	2
5	I170	657309	5/16-18 Knob	2
6	I175	657308	Hand Guard	1
7	O/L		1/4 Lock Washer	8
8	I522	657333	Retaining Plate	4
9	I183	657338	Nylon Ring	1
10	I524	656797	Plastic Handle (1/2 x 3)	1
11	I188	661035	Crank Handle	1
12	I187	657493	Rear Shaft Support	1
13	I186	657336	1-11/16 Plastic Bushing	1
14	I185	657733	Rotation Worm	1
15	I184	657335	1-5/16 Plastic Bushing	1
16	I397	660988	Decal, Safety Procedures	1

### Snowblower Mount Assembly

17	4407-5		Bow Tie Cotter Pin	2
18	6621-1		Clevis Pin (1/2 x 2)	2
19	6670-2		Parallel Bar Assembly	1
20	5830	654106	Grease Fitting	1
21	I189	669691	Quick Hitch (Female)	1

### Reduction Box Assembly

22	I196	669612	PTO Guard	1
23	O/L		5/16-NC x 1/2 Serrated Flange Bolt	2
24	I164	657355	Reduction Box	1
25	I543	0300002	Carriage Bolt, 5/16 x 3/4	10

### Snowblower Frame Assembly

26	5800-9	2500938	Decal, Walker Round (4-3/4")	2
27	I125	669674	Skid Shoe	2
28	6625-8		42" Cutting Edge	1
29		669690	Frame	1
30	I205	657332	Worm Gearbox Support	1
31	5809-2	2500937	Decal, Walker Logo	1
32	O/L		5/16-NC x 3/4 Hex Bolt	2

ITEM NO.	WLK PART NO.	RAD PART NO.	DESCRIPTION	NO. REQ'D
----------	--------------	--------------	-------------	-----------

### Fasteners

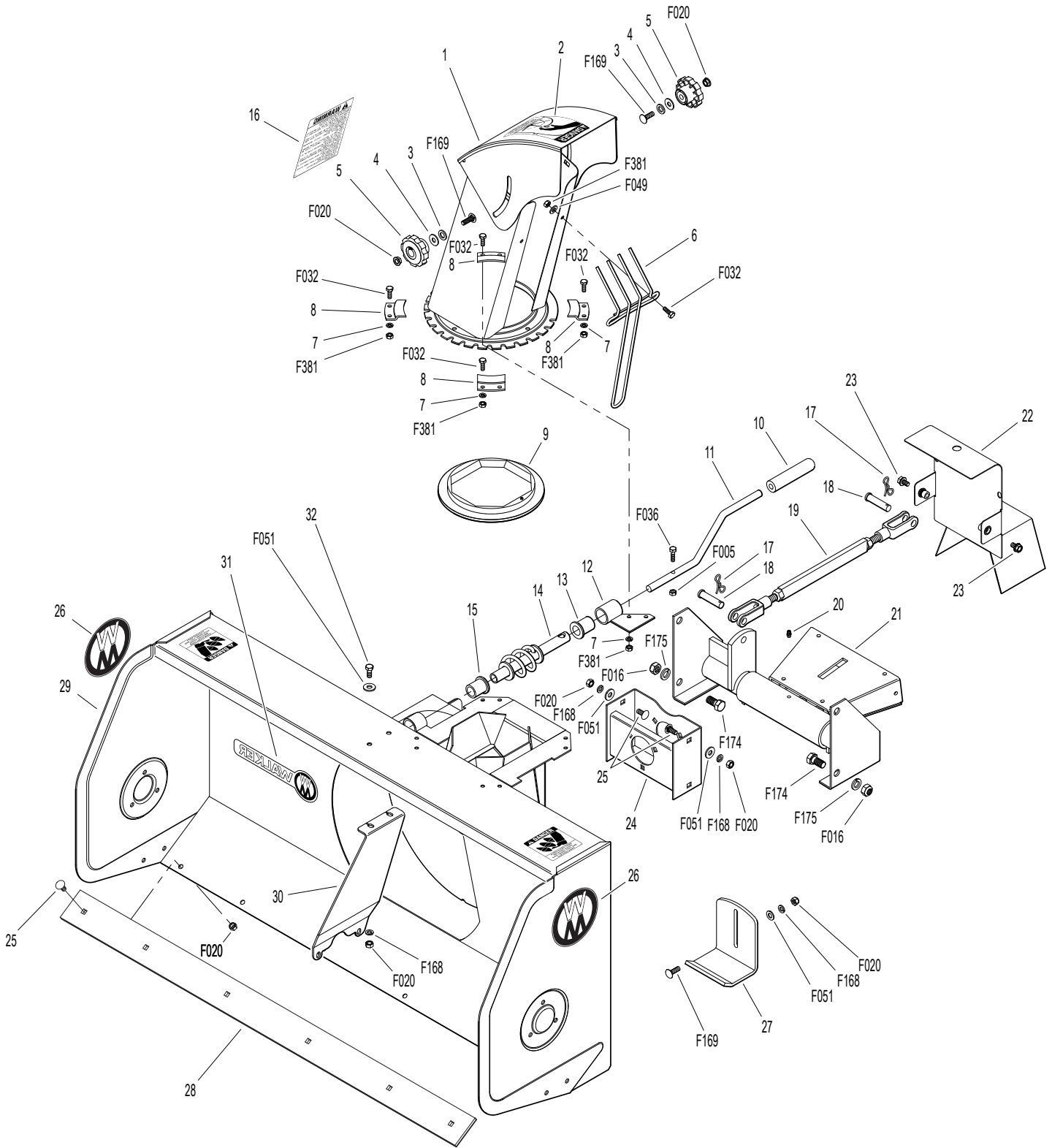
F005			1/4-20 ESNA Nut	1
F016			1/2-13 Self-Locking Nut	4
F020			5/16-18 ESNA Nut	18
F032			1/4-20 x 3/4 Hex Bolt	10
F036			1/4-20 x 1/2 SBH Screw	1
F049			5/16 SAE Washer	2
F051			3/8 SAE Washer	10
F168			5/16 Split Lock Washer	10
F169			5/16 x 1 Carriage Bolt	6
F174			1/2-13 x 1-1/4 Hex Bolt	4
F175			1/2 Split Lock Washer	4
F381			1/4-20 Hex Nut	10

**NOTE:** Decals are illustrated in greater detail on pages 6-7 of this manual.

**NOTE:** O/L indicates "Obtain Locally."



# SNOWBLOWER HOUSING COMPONENTS (H12)



Beginning S/N 21810237  
 Use only genuine Walker® replacement parts

## SNOWBLOWER DRIVE COMPONENTS (H17)

ITEM NO.	WLK PART NO.	RAD PART NO.	DESCRIPTION	NO. REQ'D
<b>Driveline and Auger Components</b>				
1	I394	657762	Decal, Rotating Auger	2
2	NS	655683	Decal, Check Oil Level	1
3	NS	657804	Decal, Lubricate Chain	1
4	I120	656589	Bearing Flange	6
5	I434	665495	Bearing With Locking Collar	1
6	I163	656570	40 x 38 Chain	1
7	I161	656543	Sprocket (H40B32)	1
8	I512	665494	1" Bearing (Includes Item # F309)	4
9	O/L		5/16-NC x 5/8 Carriage Bolt	6
10	I153	657250	Drive Shaft (with Sprocket), H40C11	1
11	6671-10		U-Joint Shaft Assembly, Spline (Includes Items # 25-27)	1
12	I395	657763	Decal, Rotating Driveline	1
13	6671-1		PTO Outer Shield	1
14	6651-5		Bearing & Retainer Kit	1
15	NS	657346	Decal, Use Shear Bolts	1
16	I543	0300002	Carriage Bolt, 5/16 x 3/4	3
17	I105	656053	Shear Bolt (1/4-NC x 1) With Locknut	1
18	I209	4300055	Bushing	2
19	I102	657327	Fan Assembly (Includes Item # 31)	1
20	I104	655874	Fan Adapter Shear Plate	1
21		666738	Auger, LH	1
22	I114	667786	Shear Bolt (5/16-18 x 2-1/4) Lock & Nut	2
23	I113	657334	Bearing Flange	2
24	5830	654106	Grease Fitting	2
25	I130	655967	Woodruff Key	1
26		660390	Output Shaft	1
27	I200	4500035	Gearbox (Includes Items # 1-13)	1
	I101	663030	Gearbox (Usimax)	1
	NS	665775	Seal Kit	1
28		666737	Auger, RH	1
29	I106	0100024	5/16-18 x 2 Hex Bolt, Grade 8	1

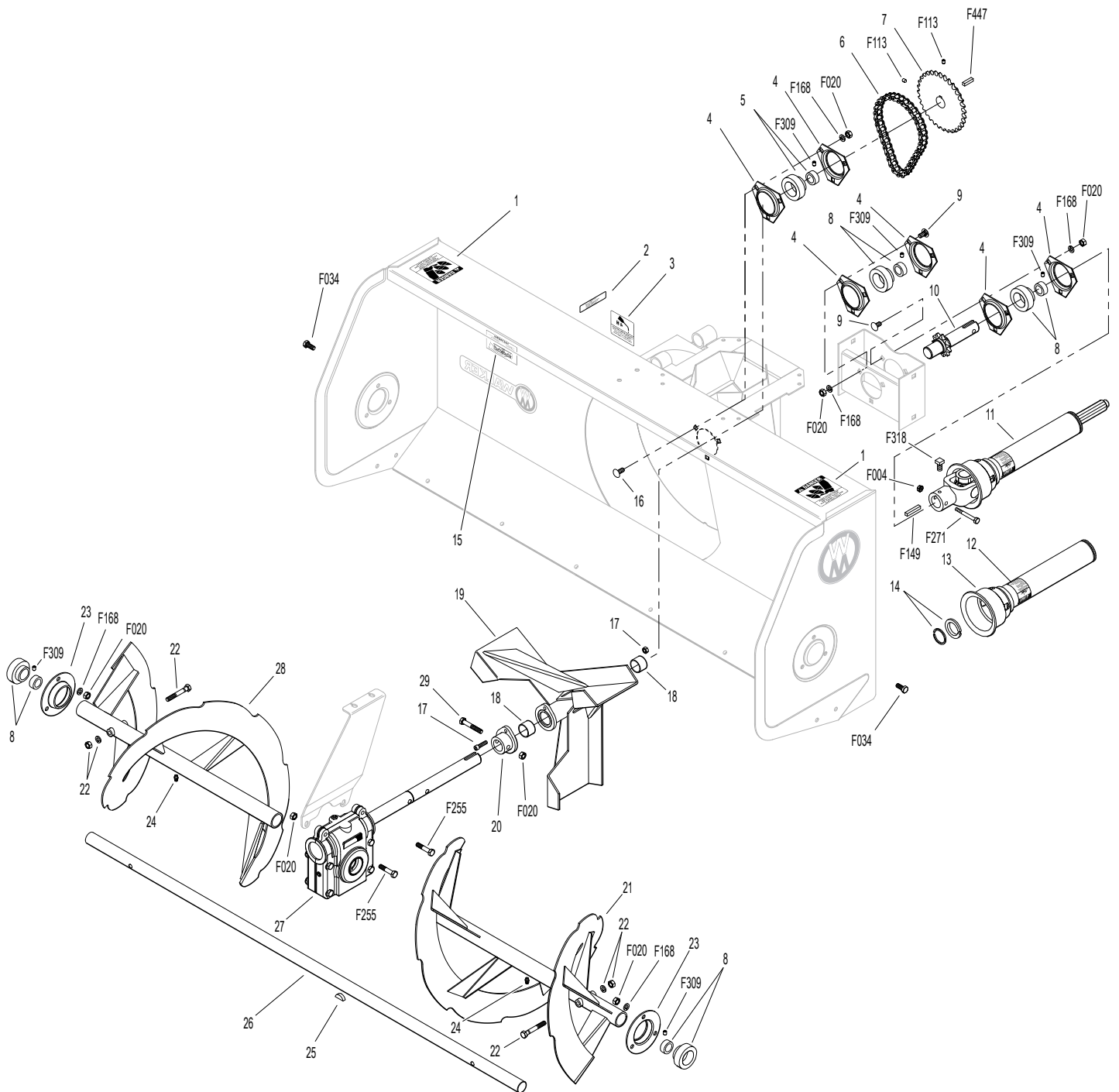
ITEM NO.	WLK PART NO.	RAD PART NO.	DESCRIPTION	NO. REQ'D
<b>Fasteners</b>				
	F004		1/4-20 Keps Nut	1
	F020		5/16-18 ESNA Nut	22
	F034		5/16-18 x 3/4 Hex Bolt	6
	F113		5/16-18 x 5/16 Set Screw	2
	F149		1/4 x 1/4 x 1-1/2 Key	1
	F168		5/16 Split Lock Washer	15
	F235		5/16-18 x 2-1/2 Hex Bolt	4
	F255		5/16-18 x 1-1/2 Hex Bolt	2
	F271		1/4-20 x 2-1/4 Hex Bolt	1
	F309		1/4-28 x 1/4 Set Screw	5
	F318		3/8-16 x 3/4 SQH Set Screw	1
	F447		1/4 x 1/4 x 1 Key	1

**NOTE:** Decals are illustrated in greater detail on pages 6-7 of this manual.

**NOTE:** All NS items are not sold by Walker Manufacturing.

**NOTE:** O/L indicates "Obtain Locally."

# SNOWBLOWER DRIVE COMPONENTS (H17)



Beginning S/N 21810546  
Use only genuine Walker® replacement parts

# SNOWBLOWER HOUSING COMPONENTS (H17)

ITEM NO.	WLK PART NO.	RAD PART NO.	DESCRIPTION	NO. REQ'D
----------	--------------	--------------	-------------	-----------

### Chute Rotation Assembly

1	I169	661168	Chute, Base and Knobs (Includes items 1-5,7,8, and 16)	1
2	I396	657761	Decal, Keep Hands Out	1
3	I172	658468	7/16 Nylon Washer	2
4	I171	658467	11/32 Nylon Washer	2
5	I170	657309	5/16-18 Knob	2
6	I175	657308	Hand Guard	1
7	O/L		1/4 Lock Washer	8
8	I522	657333	Retaining Plate	4
9	I183	657338	Nylon Ring	1
10	I524	656797	Plastic Handle (1/2 x 3)	1
11	I188	661035	Crank Handle	1
12	I187	657493	Rear Shaft Support	1
13	I186	657336	1-11/16 Plastic Bushing	1
14	I185	657733	Rotation Worm	1
15	I184	657335	1-5/16 Plastic Bushing	1
16	I397	660988	Decal, Safety Procedures	1

### Snowblower Mount Assembly

17	4407-5		Bow Tie Cotter Pin	2
18	6621-1		Clevis Pin (1/2 x 2)	2
19	6670-7		Parallel Bar Assembly	1
20		669693	Quick Hitch (Female)	1
21	5830-3		Grease Fitting (45 Deg)	1

### Reduction Box Assembly

22	I196	669612	PTO Guard	1
23	O/L		5/16-NC x 1/2 Serrated Flange Bolt	2
24	I164	657355	Reduction Box	1
25	I543	0300002	Carriage Bolt, 5/16 x 3/4	10

ITEM NO.	WLK PART NO.	RAD PART NO.	DESCRIPTION	NO. REQ'D
----------	--------------	--------------	-------------	-----------

### Snowblower Frame Assembly

26	5800-9	2500938	Decal, Walker Round (4-3/4")	2
27	I125	669674	Skid Shoe	2
28	6625-9	659862	50" Cutting Edge	1
29		669692	Frame	1
30	I205	657332	Worm Gearbox Support	1
31	5809-2	2500937	Decal, Walker Logo	1

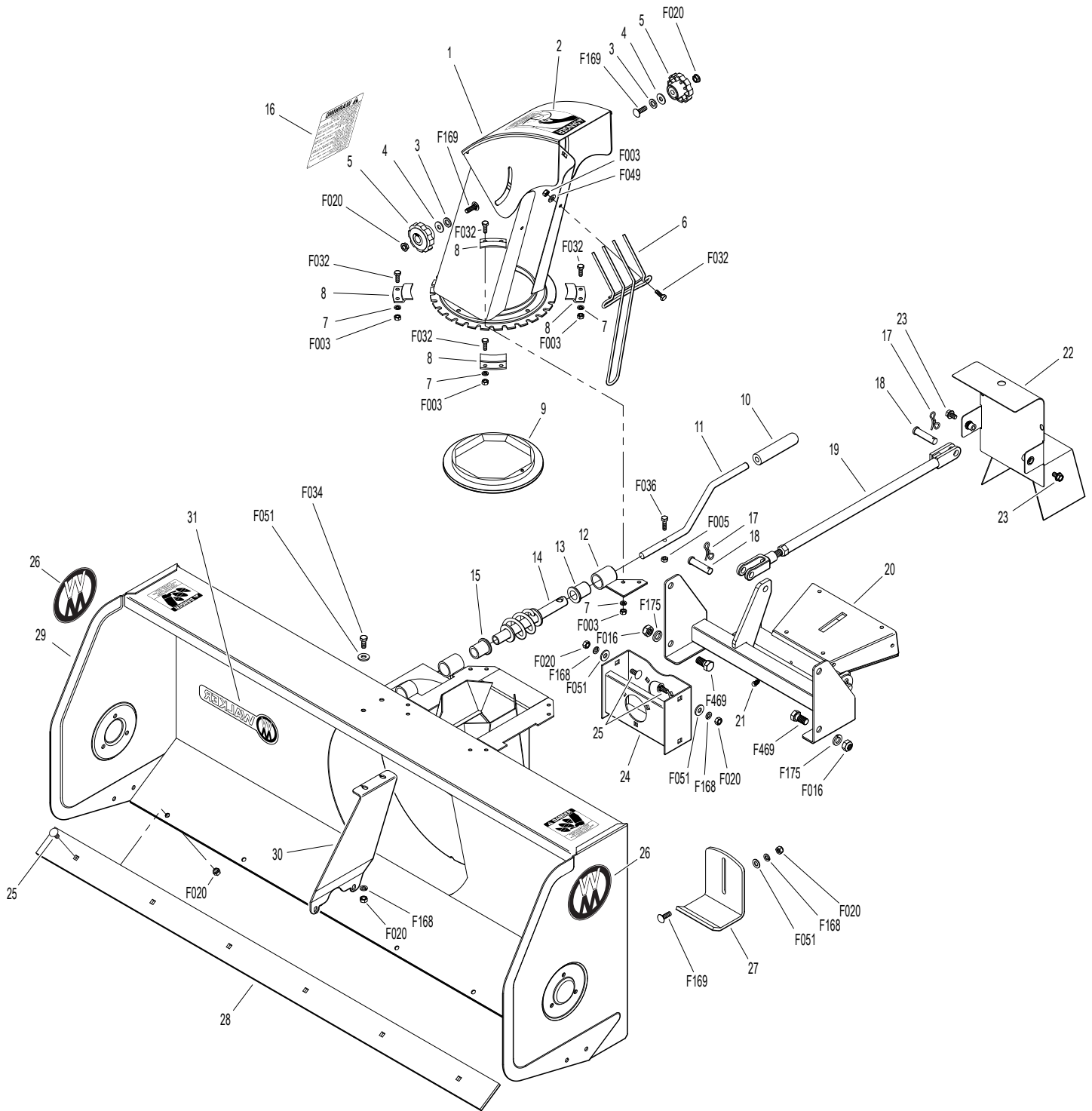
### Fasteners

F003	1/4-28 Hex Nut	10
F005	1/4-20 ESNA Nut	1
F016	1/2-13 Self-Locking Nut	4
F020	5/16-18 ESNA Nut	18
F032	1/4-20 x 3/4 Hex Bolt	10
F034	5/16-18 x 3/4 Hex Bolt	2
F036	1/4-20 x 1/2 SBH Screw	1
F049	5/16 SAE Washer	2
F051	3/8 SAE Washer	10
F168	5/16 Split Lock Washer	10
F169	5/16 x 1 Carriage Bolt	6
F175	1/2 Split Lock Washer	4
F469	1/2-13 x 1-1/4" Hex Bolt, GR 5	4

**NOTE:** Decals are illustrated in greater detail on pages 6-7 of this manual.

**NOTE:** O/L indicates "Obtain Locally."

# SNOWBLOWER HOUSING COMPONENTS (H17)



Beginning S/N 21810546  
 Use only genuine Walker® replacement parts









# LIMITED WARRANTY FOR WALKER TWO-STAGE SNOWBLOWER

## 1. What this warranty covers, and for how long:

Walker Manufacturing company will, at its option, repair or replace, without charge, any part covered by this warranty which is found to be defective in material and/or workmanship within one (1) year after date of sale to the original retail purchaser unless the product is used for rental purposes, in which case this warranty is limited to ninety (90) days. At Walker's request, customer will make the defective part available for inspection by Walker and/or return the defective part to Walker, transportation charges prepaid. All parts and components of the Walker two-stage snowblower are covered by this warranty.

## 2. What this warranty does not cover:

A. This warranty does not cover defects caused by depreciation or damage caused by normal wear, accidents, improper maintenance, improper use or abuse of the product, alterations, or failure to follow the instructions contained in the Operator's Manual for operation and maintenance.

B. The customer shall pay any charges for making service calls and/or for transporting the attachment to and from the place where the inspection and/or warranty work is performed.

## 3. How to obtain service under this warranty:

Warranty service can be arranged by contacting the dealer where you purchased the machine or by contacting Walker Manufacturing Company, 5925 East Harmony Road, Ft. Collins, CO 80528. Proof of the date of purchase may be required to verify warranty coverage.

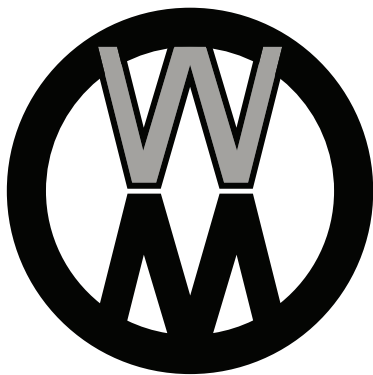
## 4. Warranty limitation:

A. **THERE IS NO OTHER EXPRESS WARRANTY. ANY WARRANTY THAT MAY BE IMPLIED FROM THIS PURCHASE INCLUDING MERCHANTABILITY AND FITNESS FOR A PARTICULAR PURPOSE IS HEREBY LIMITED TO THE DURATION OF THIS WARRANTY AND TO THE EXTENT PERMITTED BY LAW ANY AND ALL IMPLIED WARRANTIES ARE EXCLUDED.** Some states do not allow limitations on how long an implied warranty lasts, so the above limitations may not apply to you.

B. **WALKER WILL NOT BE LIABLE FOR ANY INCIDENTAL, CONSEQUENTIAL, OR SPECIAL DAMAGES AND/OR EXPENSES IN CONNECTION WITH THE PURCHASE OR USE OF THE MACHINE.** Some states do not allow the exclusion or limitation of incidental or consequential damages, so the above limitation(s) or exclusion(s) may not apply to you.

C. Only the warranty expressed in this limited warranty shall apply and no dealer, distributor, or individual is authorized to amend, modify, or extend this warranty in any way. Accordingly, additional statements such as dealer advertising or presentations, whether oral or written, do not constitute warranties by Walker, and should not be relied upon.

D. This warranty gives you specific legal rights, and you may also have other rights which vary from state to state.



**WALKER**

**WALKER MFG. CO. • 5925 E. HARMONY ROAD, FORT COLLINS, CO 80528 • (970) 221-5614**  
**FORM NO. 110918      PRINTED IN USA      [www.walker.com](http://www.walker.com)      ©2018 WALKER MFG. CO**