

# easiph♥ne

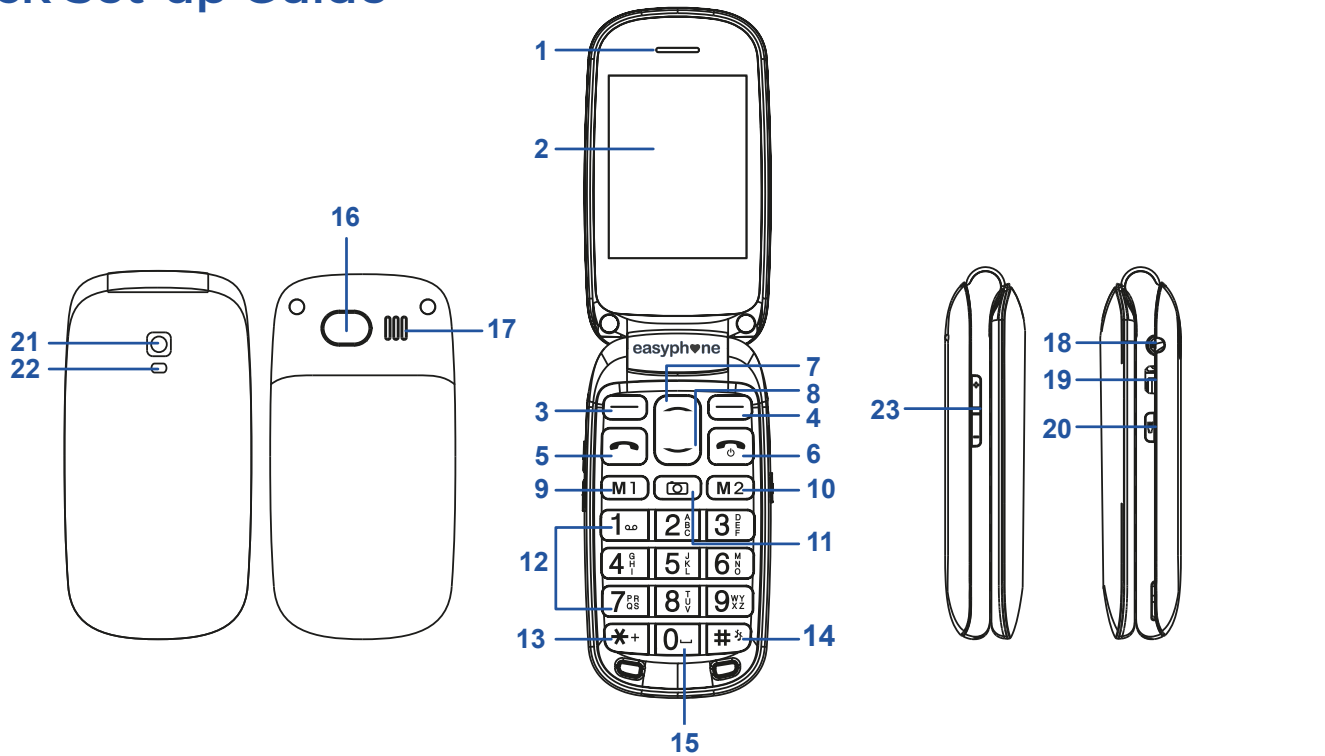
stay connected, stay safe



## USER GUIDE MANUAL

[www.easiphones.co.uk](http://www.easiphones.co.uk)

# Quick Set-up Guide



- |   |  |                    |
|---|--|--------------------|
| 1. Receiver   | 10. M2 to set speed dial   | 16. SOS button     |
| 2. Main Display                                     | 11. Camera key   | 17. Speaker        |
| 3. LSK to confirmation/options                      | 12. Numeric Key  | 18. Earphone jack  |
| 4. RSK to contacts menu/return back to idle display | 13. Star/symbol key  | 19. USB jack       |
| 5. Dial key   | 14. Press and hold to switch profile mode (Silence/Vibration/General) & symbol # key | 20. Torch key      |
| 6. Reject/end call key                              | 15. Input the number 0/press and hold to switch on/off handsfree mode during call    | 21. Camera         |
| 7. Up key to Audio player                           |  | 22. Flashlight     |
| 8. Down key to alarm                                |  | 23. Volume +/- key |
| 9. M1 to set speed dial                             |  |                    |

## Inserting a SIM card

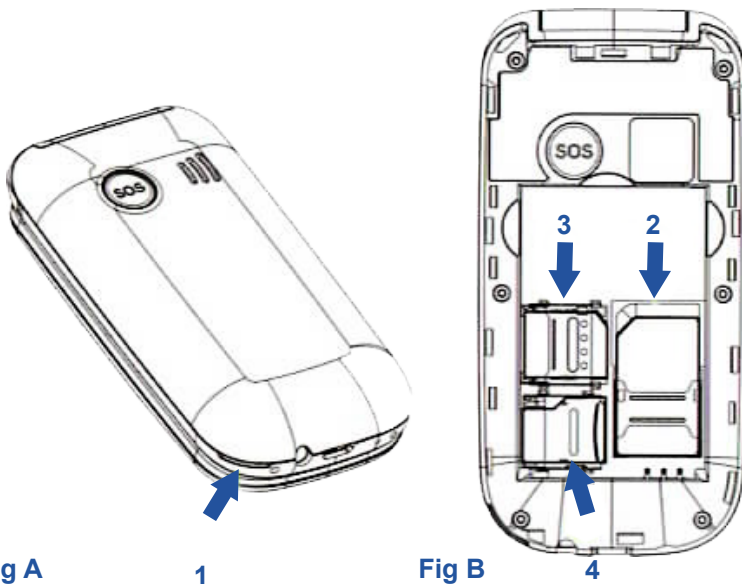


Fig A

1

Fig B

4

1. Remove the battery cover by lifting from the bottom left-hand corner.  
**1 In Fig A**
2. Remove battery to access SIM & SD Memory Slots. Lift the battery from the top to remove it. **Fig B**
3. **02 SIM.**  
Inside there are 3 sizes of SIM available, Standard, Micro and Nano as marked on the SIM hold card. Any size can be used, for ease snap out the Standard size SIM

(this is the largest one). If the wrong size is snapped out you can put these all back together to make the larger Standard Sim.

4. To slide a standard sized SIM card into the SIM card holder; insert it with gold contacts facing down and the bevelled corner in the top left. **2 In Fig B**
5. If you have a Micro SIM card you can Insert it by sliding the silver cage to the left and lifting it. Then insert the card with the gold contacts facing down and close the cage before sliding it to the right. **3 In Fig B**

## Inserting the Battery

Insert the battery, making sure that battery contacts touch the gold contacts in the bottom right corner, then replace the battery cover and press down until it clicks into place. If the battery is in the correct orientation, the '+' and '-' symbols will be facing you in the bottom right corner.

The mobile will need 10 hours charging before first use. Charge daily - 8 hours or less depending on how much charge is left.

When the phone is powered on, the battery icon will flash to show that it is charging and will show as full when the battery is fully charged. If the phone is powered off 'charging' or 'charge complete' will appear on the screen.

## USING THE PHONE

To turn the phone on, hold down the **Power Button** (red button) for 5 seconds until the screen comes on. In standby mode, the phone is on but isn't running any applications such as calling, SMS messaging, etc. You can tell the phone is in standby mode because the screen is on.

## Using the Menu

Press **Left menu key** (top left of the keypad with a solid line) to open the menu.

- Press Up/Down arrow keys to scroll through the menu.
- Press Left menu key to open a menu item.
- To return to standby mode, press Power Button or close the phone.

## Dual-function Keys

Some keys have additional functions if they are pressed and held down for a few seconds.

- **Number 1 key:** Listen to voicemail.
- **# key:** Switch between normal sound, silent mode and vibrate mode.
- **Number 0 key:** Hold for a few seconds to switch torch on or off.

## Saving Contacts to Phonebook

Contacts can be accessed by pressing the **right menu key** at the top right of the key pad with the solid line.

1. Press **Options** —▶ **New** —▶ **OK** (the circular button between the arrow keys).
2. Choose between Phone or SIM to store your contact. **press OK**
3. To input contacts name, use **down arrow key** to move the high light **Name**, then press **Edit**. Press **OK** when finished.
4. To input phone number, press the **down arrow button** to move the highlight to Mobile. press edit, press **OK** when finish.

## Changing the Ringtone

Press the **Left Menu key** in standby Mode

Scroll to and select **Settings**

1. Select **Profiles**
2. Select **Normal** (or your current Profile)
3. Select **Option** (left menu key) then select Settings and press OK (left menu key)
4. Scroll to and select **Ring Settings** —▶ **SIM1/SIM2 Call ring** —▶ **Select**  
You can then change your ring tone for each SIM and for receiving messages.
5. Choose ringtone from **Fixed ringtones** (comes with the phone) or **More ringtones** (download from your computer to phone memory or optional Micro SD card).
6. Press **OK** —▶ **Done** to return to the previous menu.

## Setting up the SOS function

1. Press the **Left Menu key** (on keypad).
2. Scroll to and select **Settings**.
3. Select **SOS setting** —▶ **OK** —▶ **Options** (Left menu key) (Ensure **Active** is ticked to activate the SOS function). **Back**
4. Select **No.1**. (if no numbers have been previously programmed it will be empty).
5. **Press the Middle button to Edit**, and then enter your SOS contact number.
6. Press **OK** and then **Options** and scroll to **Save Number** and press **OK**.
7. Repeat steps 5-7 to add up to 5 SOS contacts. When activated, the phone will dial the phone numbers in order of entry.
8. You can also add a standard SOS text message to send to your contacts.  
Select **Options** —▶ **Edit message** —▶ **OK**.
9. The default SMS is "SOS, Please call me!!" To change this, press the **right menu key** to clear the message and Edit your own words. Press **OK** after done.
10. To activate **SOS button**, press **SOS button on back of phone and hold for 3 seconds**.  
A alarm will sound on your phone and a text message/call will be sent to the specified numbers.

**Please note:** SOS message will only be sent to mobile phone numbers in the SOS list. SOS calls need to be accepted by the receiver within a specific timeframe. If you are programming a phone number that has an automatic answering feature please test before use.

## Setting up the M1/M2 speed dial

**Please note:** A valid SIM card needs to be installed in order to set up the Speed dial function

1. Press **Menu** button (on keypad).
2. Scroll to and select **Settings**.
3. Scroll to and select **Speed dial**.
4. Select **Option** —▶ **Edit** —▶ **Input number** —▶ **OK**.
5. Repeat steps **4** to add up M2 and other Speed dial.

## Vibrate Mode

When in standby mode, the phone can be changed to silent mode **by pressing and holding the hash (#) key for three seconds**. Repeating this step will switch to vibrate mode. Press for another 3 seconds and it returns to normal ring mode. To control the volume from standby mode, press the up-arrow key once, then use the arrow keys to adjust the volume.

# USING THE PHONE FUNCTIONS

## Using the Radio

Press the **Left Menu key** in standby mode

Scroll to and select **MULTIMEDIA**

1. Select **Radio** —▶ **OK** to open the radio.
2. To play or pause the radio, press the **OK** button.
3. To swap between radio stations, press the **M1** and **M2** buttons.

## Using the Sound Recorder

Press the **Left Menu key** in standby mode

Scroll to and select **MULTIMEDIA**

1. Select **Sound Recorder** —▶ **OK** to open the sound recorder.
2. To start and stop the recording, press the **OK** button.

**Please note:** Before saving a recording, a Micro 5D card must be inserted. Instructions on how to do this are included in the 'Getting Started' section of the manual.

## To take Pictures/Videos

Press the **Left Menu key** in standby mode

Scroll and select **MULTIMEDIA**

1. Scroll to and select **Camera** to take pictures, or **DV** to take videos.
2. Press **OK** to take a picture when in camera mode. When in DV mode, Press **OK** once to start recording and press **OK** again to stop.
3. Images can be accessed by selecting **Image** in the **MULTIMEDIA** menu.

**Please note:** Before saving photos or videos, a Micro SD card must be inserted. See image on page 1. Insert MICRO SIM card by sliding the silver cage to the left and lifting it. Then insert the card with gold contacts facing down and close the cage before sliding it to the right **3 In Fig B**. Slide your Nano SD card in the card holder with contacts facing down **4 In Fig B**.

## To use the Alarm Clock

Press the **Left Menu key** in standby mode

Scroll to and select **TOOLS**

1. Scroll through the menu that appears to **TOOLS** and press **OK**.
2. A list of applications will appear, scroll through them with the arrow keys and select Alarm.
3. Select **Alarm** —▶ **OK**.
4. Select the desired alarm and press the **left menu key** to turn it on or off.
5. Select an alarm and press **OK** to change the alarm settings.
6. Use the up and down arrow keys to scroll through the available settings and make changes to alarms such as the time, ringtone and name.

## To use Text Messaging

Press the **Left Menu key** in standby mode

Scroll to and select **MESSAGING**

1. A menu will appear with the available text functions.
2. To write a message, select **Write** —▶ **OK** and set the recipients by either typing in their numbers or pressing **OK** to search from your contacts.
3. To view your incoming messages, select **Inbox** —▶ **OK**. This will display your messages which can be viewed by scrolling to one and pressing **OK**.
4. To view your sent messages, select **Sent box** —▶ **OK**. This will display your sent messages which can be viewed by scrolling to one and pressing **OK**.

## Connecting a Bluetooth Device

Press the **Left Menu key** in standby mode

Scroll to and select **TOOLS**

1. A list of tools will appear. Select **Bluetooth** —▶ **OK** to open the Bluetooth menu.
2. To turn Bluetooth ON or OFF, select **Bluetooth** —▶ **OK**.
3. To allow other devices to see the phone, select **Bluetooth visibility** —▶ **OK**.
4. To connect a new device, select **Paired device** —▶ **OK** —▶ **Add new device** —▶ **OK button**. Then select **Pair** —▶ **OK** and enter the password displayed on screen of the other device.

## To use Calendar

Press the **Left Menu key** in standby mode

Scroll to and select **TOOLS**

1. A menu will appear. Select the **Calendar** —▶ **OK** button to open the calendar.
2. To navigate the days, use the up and down arrows and the **M1** and **M2** keys.
3. Press the **OK** button to add an event to the calendar and type in the name of the event.
4. Select the date of the event by scrolling to Date with the arrow keys and typing it in with the numbers. The date should be in the format DD/MM/YYYY.
5. To set the time of the event, scroll to Time using the arrow keys and then use the number keys to enter time in a 24hr format.

## Trouble Shooting Guide

PROBLEM	REASON	SOLUTION
<b>Can't Charge</b>	Charging in an environment with extreme temperatures	Change to a normal charging environment
	Bad Contact	Change the battery or charger and ensure the battery is inserted correctly
	Battery or charger is damaged	Check whether the plug is connected properly
<b>Can't connect to network</b>	Beyond GSM service area	Ask your network operator for their service area
	Weak signal	Move to a place with a strong signal and try again
	SIM not registered with network	Register SIM card with network
<b>Bad reception</b>	Using your phone during busy network times	Try to void
	The distance from network station	Ask the network operator for service area map
<b>Battery time is shorter</b>	Need to change battery	Change Battery
	If the phone cannot receive a signal, it will transmit continuously to search for base station, this will consume a lot of battery and shorten the battery time	Please move to area with stronger signals or switch off the mobile phone temporarily
<b>Can't switch on</b>	Battery is depleted	Check the power of your battery or change it and press the red button for 5 seconds
<b>Can't connect to network</b>	SIM card in invalid or has not been registered	Register SIM or contact your network operator

**easiph**  **ne**  
stay connected, stay safe