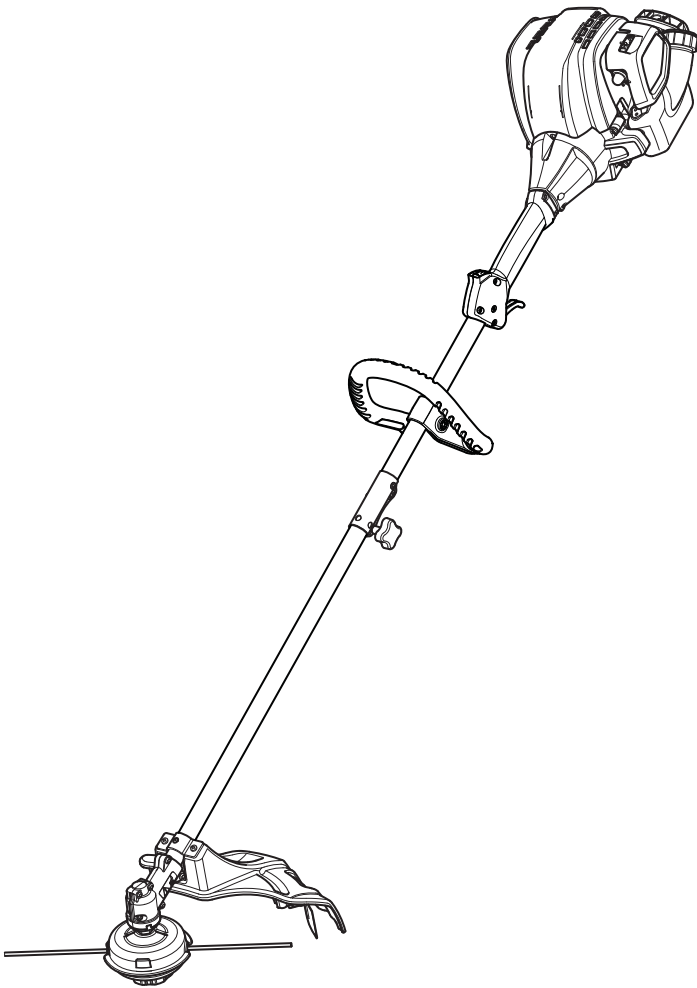


# Cub Cadet®

## Operator's Manual

### 4-Cycle Trimmer SS470



#### TABLE OF CONTENTS

Service .....	1
Safety .....	2
Know Your Unit .....	5
Specifications .....	5
Assembly .....	6
Oil and Fuel .....	8
Starting and Stopping .....	10
Operation .....	11
Maintenance .....	12
Cleaning and Storage .....	16
Troubleshooting .....	17
Warranty .....	20

### SAVE THESE INSTRUCTIONS

#### SERVICE

**DO NOT RETURN THIS UNIT TO THE RETAILER. PROOF OF PURCHASE WILL BE REQUIRED FOR WARRANTY SERVICE.**

For assistance regarding the assembly, controls, operation or maintenance of the unit, please call the Customer Support Department at **1-877-282-8684** in the United States or **1-800-668-1238** in Canada. Additional information about the unit can be found on our website: **www.cubcadet.com** (U.S.) or **www.cubcadet.ca** (Canada).

For service, please call the Customer Support Department to obtain a list of authorized service dealers near you. Service on this unit, both within and after the warranty period, should only be performed by an authorized and approved service dealer. When servicing, use only identical replacement parts.

All information, illustrations, and specifications in this manual are based on the latest product information available at the time of printing. We reserve the right to make changes at any time without notice.

Copyright© 2013 MTD SOUTHWEST INC, All Rights Reserved.

**IMPORTANT: Read this manual thoroughly before using this product. Follow all instructions.**

## SAFETY

The purpose of safety symbols is to attract your attention to possible dangers. The safety symbols, and their explanations, deserve your careful attention and understanding. The safety warnings do not by themselves eliminate any danger. The instructions or warnings they give are not substitutes for proper accident prevention measures.

SYMBOL	MEANING
--------	---------



**DANGER:** Signals an EXTREME hazard. Failure to obey a safety **DANGER** signal **WILL** result in serious injury or death to yourself or to others.



**WARNING:** Signals a SERIOUS hazard. Failure to obey a safety **WARNING** signal **CAN** result in serious injury to yourself or to others.



**CAUTION:** Signals a MODERATE hazard. Failure to obey a safety **CAUTION** signal **MAY** result in property damage or injury to yourself or to others.

**NOTE:** Advises you of information or instructions vital to the operation or maintenance of the equipment.

### SPARK ARRESTOR NOTE

**NOTE: For users on U.S. Forest Land and in the states of California, Maine, Oregon and Washington.** All U.S. Forest Land and the state of California (Public Resources Codes 4442 and 4443), Oregon and Washington require, by law that certain internal combustion engines operated on forest brush and/or grass-covered areas be equipped with a spark arrestor, maintained in effective working order, or the engine be constructed, equipped and maintained for the prevention of fire. Check with your state or local authorities for regulations pertaining to these requirements. Failure to follow these requirements could subject you to liability or a fine. **This unit is factory equipped with a spark arrestor.** If it requires replacement, contact your local service dealer to install the appropriate muffler assembly.



#### CALIFORNIA PROPOSITION 65

**WARNING:** Engine exhaust, some of its constituents and certain finished components contain or emit chemicals known to the State of California to cause cancer and birth defects or other reproductive harm. Wash hands after handling.

**Read the operator's manual and follow all warnings and safety instructions. Failure to do so can result in serious injury to the operator and/or bystanders.**

## • IMPORTANT SAFETY INSTRUCTIONS •

### READ ALL INSTRUCTIONS BEFORE OPERATING



**WARNING:** When using the unit, all safety rules must be followed. Please read these instructions before operating the unit in order to ensure the safety of the operator and any bystanders. Please keep these instructions for later use.

- Read the instructions carefully. Be familiar with the controls and proper use of the unit.
- Do not operate this unit when tired, ill or under the influence of alcohol, drugs or medication.
- Children must not operate the unit. Teens must be accompanied and guided by an adult.
- All guards and safety attachments must be installed properly before operating the unit.
- Inspect the unit before use. Replace damaged parts. Check for fuel leaks. Make sure all fasteners are in place and secure. Replace parts that are cracked, chipped, or damaged in any way. Do not operate the unit with loose or damaged parts.
- Only use the trimming line described in the *Specifications* section of this manual. Never use metal-reinforced line, wire, chain or rope. These can break off and become dangerous projectiles.
- Do not replace the cutting head with rigid or metal blades. Doing so could result in serious injury.
- Be aware of risk of injury to the head, hands and feet.
- Carefully inspect the area before starting the unit. Remove rocks, broken glass, nails, wire, string and other objects that may be thrown or become entangled with the unit.
- Clear the area of children, bystanders and pets; keep them outside a 50-foot (15 m) radius, at a minimum. Even then, they are still at risk from thrown objects. Encourage bystanders to wear eye protection. If you are approached, stop the unit immediately.
- Squeeze the throttle control and check that it returns automatically to the idle position. Make all adjustments or repairs before using the unit.
- This unit is intended for occasional, household use only.

## SAFETY WARNINGS FOR GAS UNITS



**WARNING:** Gasoline is highly flammable and its vapors can explode if ignited. Take the following precautions:

- Store fuel only in containers specifically designed and approved for the storage of such materials.
- Always stop the engine and allow it to cool before filling the tank. Never remove the fuel tank cap or add fuel when the engine is hot. Always loosen the fuel tank cap slowly to relieve any pressure in the tank before fueling.
- Always add fuel in a clean, well-ventilated outdoor area where there are no sparks or flames. DO NOT smoke.
- Never operate the unit without the fuel cap securely in place.
- Avoid creating a source of ignition for spilled fuel. Wipe up any spilled fuel from the unit immediately, before starting the unit. Move the unit at least 30 ft. (9.1 m) from the fueling source and site before starting the engine. DO NOT smoke.
- Never start or run the unit inside a closed room or building. Breathing exhaust fumes can kill. Operate this unit only in a well ventilated outdoor area.

### WHILE OPERATING

- Wear safety glasses or goggles that meet current ANSI / ISEA Z87.1 standards and are marked as such. Wear ear/hearing protection when operating this unit. Wear a face mask or dust mask if the operation is dusty.
- Wear heavy long pants, boots, gloves and a long sleeve shirt. Do not wear loose clothing, jewelry, short pants, sandals or go barefoot. Secure hair above shoulder level.
- The cutting head shield must always be in place while operating the unit. Do not operate the unit without both trimming lines extended and the proper line installed. Do not extend the trimming line beyond the length of the shield.
- This unit has a clutch. The cutting head remains stationary when the engine is idling. If it does not, take the unit to an authorized service dealer for an adjustment.
- Adjust the handle to provide the best grip, if applicable.
- Make sure the attachment is not in contact with anything before starting the unit.
- Use the unit only in daylight or good artificial light.
- Avoid accidental starting. Be in the starting position whenever pulling the starter rope. The operator and unit must be in a stable position while starting. Refer to *Starting and Stopping*.
- Use the right tool. Only use this tool for its intended purpose.
- Always hold the unit with both hands when operating. Keep a firm grip on both handles or grips.
- Do not overreach. Always keep proper footing and balance. Take extra care when working on stairs, steep slopes or inclines. To avoid serious injury, do not operate the unit while on a ladder or a roof.
- Keep hands, face, and feet away from all moving parts. Do not touch or try to stop moving parts.
- Do not touch the engine, gear housing or muffler. These parts get extremely hot from operation, even after the unit is turned off.
- Do not operate the unit faster than the speed needed to do the job. Do not run the unit at high speed when not in use.
- Do not force the unit. It will do a better, safer job when used at the intended rate.
- Always stop the unit when operation is delayed or when walking from one location to another.

- If you strike or become entangled with a foreign object, stop the unit immediately and check for damage. Do not operate the unit before repairing damage. Do not operate the unit with loose or damaged parts.
- Turn the engine to off and disconnect the spark plug for maintenance or repair.
- Use only original equipment manufacturer (OEM) replacement parts and accessories for this unit. These are available from your authorized service dealer. Use of any other parts or accessories could lead to serious injury to the user, or damage to the unit, and void the warranty.
- Keep the unit clean. Carefully remove vegetation and other debris that could block moving parts.
- To reduce fire hazard, replace a faulty muffler and spark arrestor. Keep the engine and muffler free from grass, leaves, excessive grease or carbon build up.
- If the unit starts to vibrate abnormally, stop the unit immediately. Inspect the unit for the cause of the vibration. Vibration is generally an indicator of trouble.







### OTHER SAFETY WARNINGS









- All service, other than the maintenance procedures described in this manual, should be performed by an authorized service dealer.
- Before inspecting, servicing, cleaning, storing, transporting or replacing any parts on the unit:
  1. Stop the unit.
  2. Make sure all moving parts have stopped.
  3. Allow the unit to cool.
  4. Disconnect the spark plug wire.
- Secure the unit while transporting.
- Never store the unit with fuel in the tank, inside a building where fumes may reach an open flame (pilot lights, etc.) or sparks (switches, electrical motors, etc.).
- Store the unit in a dry place, secured or at a height to prevent unauthorized use or damage. Keep the unit out of the reach of children.
- Never douse or squirt the unit with water or any other liquid. Keep handles dry and clean (free from debris, oil and grease). Clean the unit after each use. Refer to *Cleaning and Storage*. Do not use solvents or strong detergents.
- Keep these instructions. Refer to them often and use them to instruct other users. If you loan this unit to others, also loan them these instructions.

## SAVE THESE INSTRUCTIONS

• SAFETY & INTERNATIONAL SYMBOLS •

This operator's manual describes safety and international symbols and pictographs that may appear on this product. Read the operator's manual for complete safety, assembly, operating and maintenance and repair information.

SYMBOL	MEANING
	<ul style="list-style-type: none"> <li>• <b>SAFETY ALERT SYMBOL</b> Indicates danger, warning or caution. May be used in conjunction with other symbols or pictographs.</li> </ul>
	<ul style="list-style-type: none"> <li>• <b>READ OPERATOR'S MANUAL</b> <b>WARNING:</b> Read the operator's manual(s) and follow all warnings and safety instructions. Failure to do so can result in serious injury to the operator and/or bystanders.</li> </ul>
	<ul style="list-style-type: none"> <li>• <b>WEAR EYE AND HEARING PROTECTION</b> <b>WARNING:</b> Thrown objects and loud noise can cause severe eye injury and hearing loss. Wear eye protection meeting current ANSI / ISEA Z87.1 standards and ear protection when operating this unit. Use a full face shield when needed.</li> </ul>
	<ul style="list-style-type: none"> <li>• <b>UNLEADED FUEL</b> Always use clean, fresh unleaded fuel.</li> </ul>
	<ul style="list-style-type: none"> <li>• <b>OIL</b> Refer to operator's manual for the proper type of oil.</li> </ul>
	<ul style="list-style-type: none"> <li>• <b>DO NOT USE E85 FUEL IN THIS UNIT</b> <b>WARNING:</b> It has been proven that fuel containing greater than 10% ethanol will likely damage this engine and void the warranty.</li> </ul>

SYMBOL	MEANING
	<ul style="list-style-type: none"> <li>• <b>ON/OFF STOP CONTROL</b> ON / START / RUN</li> </ul>
	<ul style="list-style-type: none"> <li>• <b>ON/OFF STOP CONTROL</b> OFF or STOP</li> </ul>
	<ul style="list-style-type: none"> <li>• <b>PRIMER BULB</b> Push primer bulb, fully and slowly, 10 times.</li> </ul>
	<ul style="list-style-type: none"> <li>• <b>CHOKE CONTROL</b> <ol style="list-style-type: none"> <li>• FULL choke position</li> <li>• PARTIAL choke position</li> <li>• RUN choke position</li> </ol> </li> </ul>
	<ul style="list-style-type: none"> <li>• <b>THROWN OBJECTS AND ROTATING CUTTER CAN CAUSE SEVERE INJURY</b> <b>WARNING:</b> Small objects can be propelled at high speed, causing injury. Keep away from the rotating rotor.</li> </ul>
	<ul style="list-style-type: none"> <li>• <b>KEEP BYSTANDERS AWAY</b> <b>WARNING:</b> Keep all bystanders, especially children and pets, at least 50 feet (15 m) from the operating area.</li> </ul>
	<ul style="list-style-type: none"> <li>• <b>HOT SURFACE</b> <b>WARNING:</b> Do not touch a hot muffler or cylinder. You may get burned. These parts get extremely hot from operation. When turned off, they remain hot for a short time.</li> </ul>
	<ul style="list-style-type: none"> <li>• <b>SHARP BLADE</b> <b>WARNING:</b> Sharp blade on trimmer attachment shield. To prevent serious injury, do not touch the line cutting blade.</li> </ul>



# KNOW YOUR UNIT

## APPLICATIONS

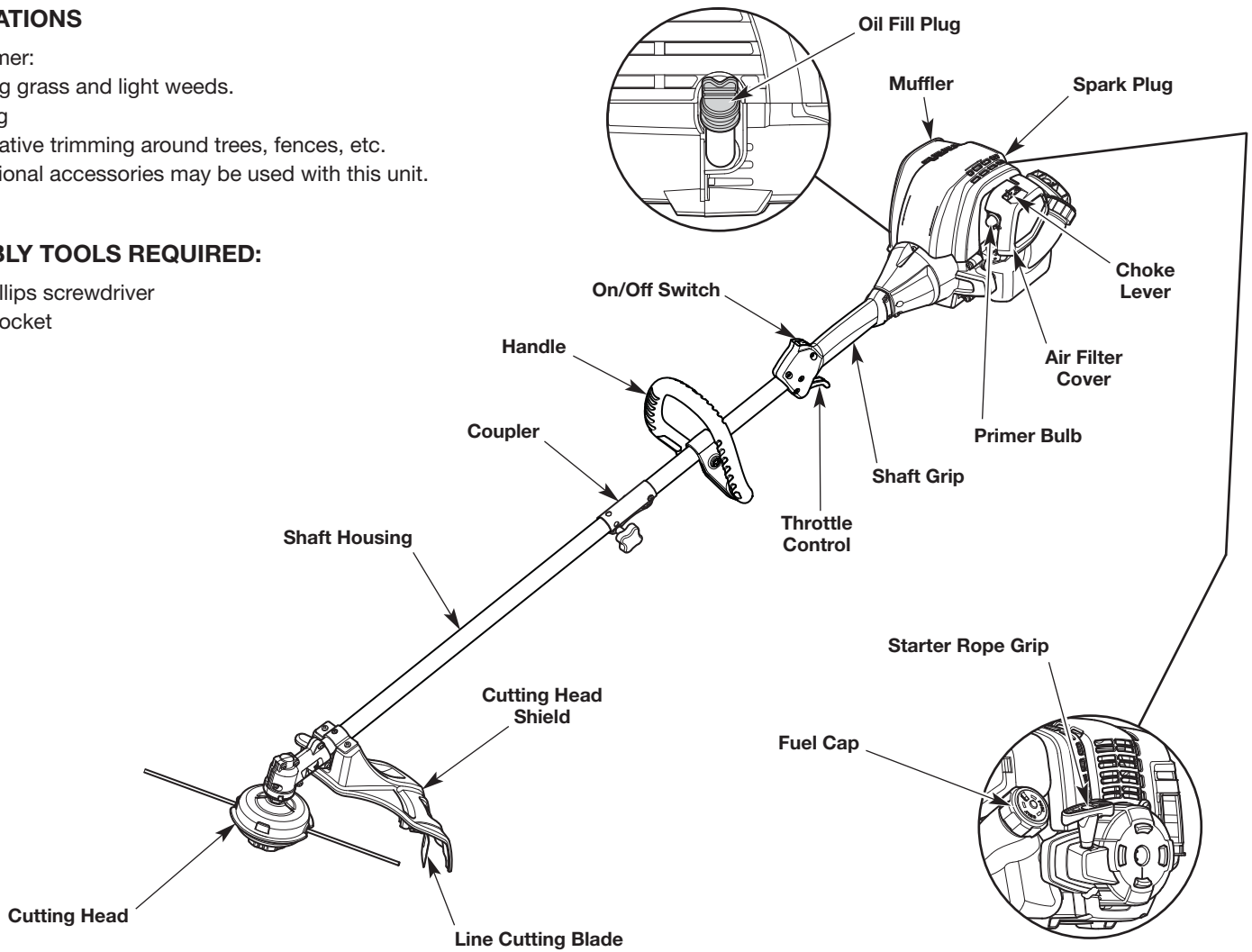
As a trimmer:

- Cutting grass and light weeds.
- Edging
- Decorative trimming around trees, fences, etc.

Other optional accessories may be used with this unit.

## ASSEMBLY TOOLS REQUIRED:

- #2 Phillips screwdriver
- 3/8" Socket



## SPECIFICATIONS\*

Engine Type . . . . .	Air-Cooled, 4-Cycle
Displacement . . . . .	25 cc (1.5 cu. in.)
Spark Plug Gap . . . . .	0.025 in. (0.635 mm)
Spark Plug . . . . .	Champion® RDZ4H or equivalent plug
Lubrication . . . . .	SAE 30 Oil
Crankcase Oil Capacity . . . . .	2.03 oz. (60 ml)
Fuel Tank Capacity . . . . .	12 oz. (355 ml)
Approximate Unit Weight (No fuel) . . . . .	14 - 15 lbs. (6.4 - 6.8 kg)
Trimmer Mechanism . . . . .	Bump Head
Trimming Line Diameter . . . . .	0.095 inches (2.41 mm)
Cutting Path Diameter . . . . .	17 in. (43.2 cm)

\* All specifications are based on the latest product information available at the time of printing. We reserve the right to make changes at any time without notice.

## ASSEMBLY

### INSTALLING THE CUTTING HEAD SHIELD



**WARNING:** To prevent serious personal injury, never operate the unit without the cutting head shield in place.

1. Place the cutting head shield onto the mount bracket. Align the holes in the cutting head shield with the holes in the mount bracket. (Fig. 1)
2. Screw the 2 screws through the mount bracket and into the cutting head shield until finger tight.
3. Using a #2 Phillips screwdriver, tighten the screws until the cutting head shield is firmly in place. Tighten the screws equally. The gap between the mount bracket and the cutting head shield should be the same on each side.

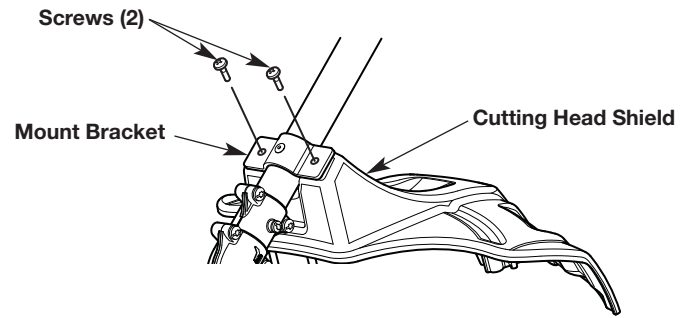


Fig. 1

### INSTALLING AND ADJUSTING THE HANDLE

#### Installing the Handle

1. Push the handle down onto the shaft housing (Fig. 2). The bolt hole in the handle should be to the right.
2. Insert the bolt into the bolt hole and push it through (Fig. 2). Tighten the bolt with a 3/8" socket, but do not tighten the bolt completely.
3. While holding the unit in the operating position (Fig. 11), move the handle to the location that provides the best grip. Place it a minimum of 6 inches (15.24 cm) from the end of the shaft grip (Fig. 2).
4. Tighten the bolt with a 3/8" socket until the handle is secure.

#### Adjusting the Handle

If the handle requires adjustment:

1. Loosen the bolt with a 3/8" socket (Fig. 2).
2. While holding the unit in the operating position (Fig. 11), move the handle to the location that provides the best grip. Place it a minimum of 6 inches (15.24 cm) from the end of the shaft grip (Fig. 2).
3. Tighten the bolt with a 3/8" socket until the handle is secure.

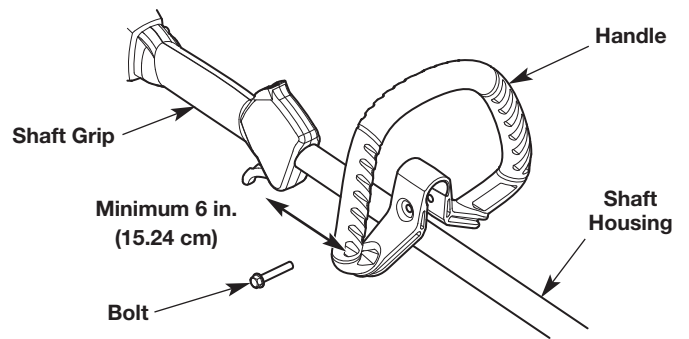


Fig. 2

**WARNING:** Before using any attachment, read and understand the manual that came with the attachment. Follow all safety information contained within.

**WARNING:** To avoid serious personal injury and damage to the unit, shut the unit off before removing or installing an attachment.

## OPERATING THE COUPLER

The coupler enables the use of various optional attachments.

### Installing the Attachment

1. Remove the hanger cap from the attachment. Keep the hanger cap for use when storing the attachment. If present, remove the gray spacer from the coupler.
2. Set the unit on a flat, level surface.
3. Turn the knob counterclockwise to loosen the coupler (Fig. 4).
4. Align the release button with the guide recess (Fig. 5).
5. Push the attachment straight into the coupler (Fig. 3) until the release button snaps firmly into the primary hole (Fig. 5).
6. Turn the knob clockwise to tighten the coupler (Fig. 4).

**NOTE:** For decorative trimming with a string trimmer attachment, lock the release button into the 90° hole (Fig. 4).

**CAUTION:** Before operating the unit, make sure the release button is fully snapped into the primary hole and the knob is securely tightened.

**CAUTION:** Unless specified otherwise, the release button should be snapped into the primary hole only. Using the wrong hole could lead to personal injury or damage to the unit.

### Removing the Attachment

1. Set the unit on a flat, level surface.
2. Turn the knob counterclockwise to loosen the coupler (Fig. 4).
3. Press and hold the release button (Fig. 5).
4. Pull the attachment straight out of the coupler (Fig. 3).

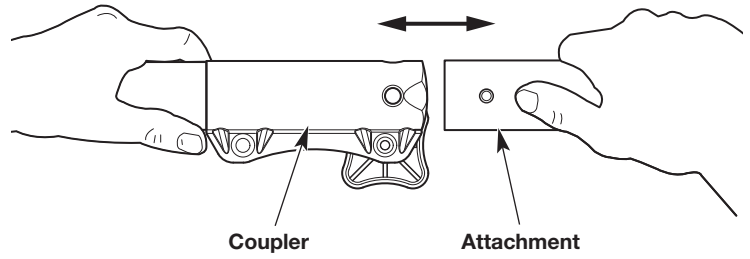


Fig. 3

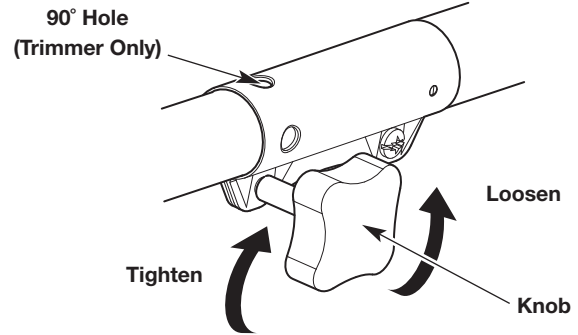


Fig. 4

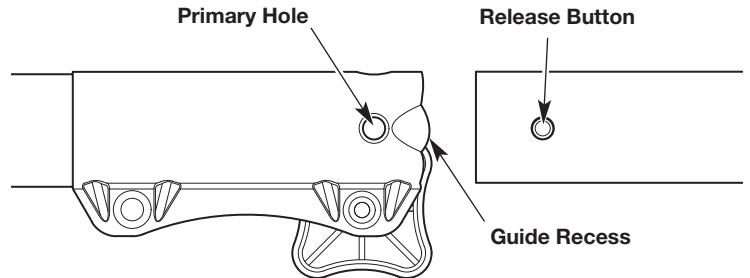



Fig. 5

## USING THE RIGHT OIL

Use a high-quality SAE 30 weight oil. **DO NOT** use dirty oil. Failure to use clean oil of the correct type can cause premature engine wear and failure.

## ADDING OIL: INITIAL USE

	<p><b>WARNING:</b> OVERFILLING THE CRANKCASE MAY CAUSE SERIOUS PERSONAL INJURY. Check the oil level before each use. The importance of maintaining the proper oil level cannot be overemphasized. Change the oil according to the <i>Maintenance Schedule</i>.</p>
--	--

**NOTE:** This unit was shipped without oil in the crankcase. Oil must be added before starting the unit.

**NOTE:** This unit comes with a 2.03 fluid oz. (60 ml) bottle of oil.

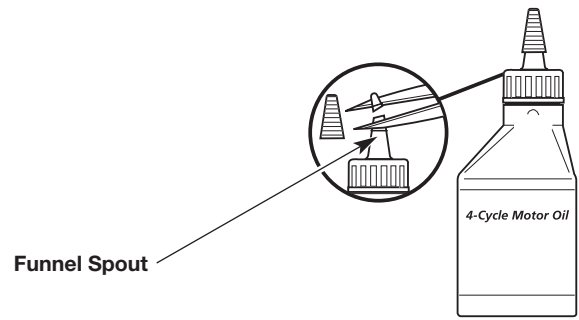
1. Unscrew the top of the oil bottle. Remove the paper seal. Reinstall the top of the oil bottle.
2. Remove the cap from the oil bottle. Cut the tip off the funnel spout (Fig. 6).
3. **Set the unit on a flat, level surface.**
4. Unscrew the oil fill plug (Fig. 7).
5. Pour the entire bottle into the oil fill hole (Fig. 7). **DO NOT** overfill. Refer to *Checking the Oil Level*.

**NOTE:** Never add oil directly to the fuel tank. This unit has a four-cycle engine. **DO NOT** mix oil with gasoline.

6. Wipe up any oil that may have spilled.
7. Reinstall the oil fill plug.

**NOTE:** Make sure the O-ring is in place on the oil fill plug (Fig. 7).

**NOTE:** Save the empty oil bottle. Use the bottle to measure the correct amount of oil during future oil changes.



Funnel Spout

Fig. 6

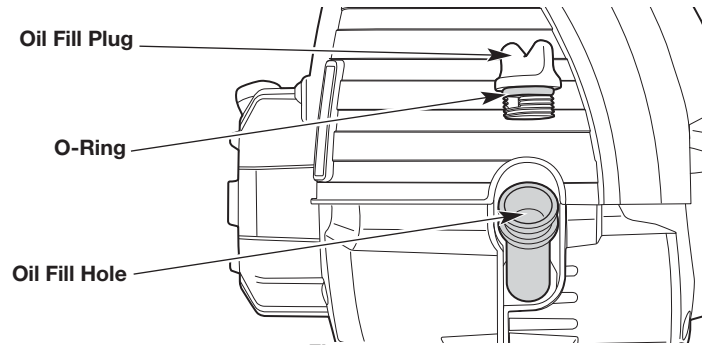


Fig. 7

## USING THE RIGHT FUEL

The use of old fuel is the most common cause of performance problems. Use only fresh, clean unleaded gasoline.

**NOTE:** This unit has a four-cycle engine. **DO NOT** mix oil with gasoline.

### Definition of Blended Fuels

Today's fuels are often a blend of gasoline and oxygenates such as ethanol, methanol or MTBE (ether). Alcohol-blended fuel absorbs water. As little as 1% water in the fuel can make fuel and oil separate, forming acids when stored. **ALWAYS** use fresh fuel (less than 30 days old).

**NOTE:** Dispose of old fuel according to federal, state and local regulations.

### Using Blended Fuels

If using a blended fuel:

- Always use fresh unleaded gasoline
- Use the fuel additive STA-BIL® or an equivalent
- Drain the tank and run the engine dry before storing the unit



**WARNING: DO NOT USE E85 FUEL IN THIS UNIT.**

It has been proven that fuel containing greater than 10% ethanol will likely damage this engine and void the warranty.

### Using Fuel Additives

Use a fuel additive, such as STA-BIL Fuel Stabilizer or an equivalent, to inhibit corrosion and minimize gum deposits. Add 0.8 oz. (23 ml) of fuel additive per gallon of fuel, according to the instructions on the container. **NEVER** add fuel additives directly to the unit's fuel tank.

## FUELING THE UNIT



**WARNING:** Gasoline is extremely flammable. Ignited vapors may explode. Always stop the engine and allow it to cool before filling the fuel tank. Do not smoke while filling the tank. Keep sparks and open flames at a distance from the area.



**WARNING:** Remove the fuel cap slowly to avoid injury from fuel spray. Never operate the unit without the fuel cap securely in place.



**WARNING:** Add fuel in a clean, well ventilated outdoor area. Wipe up any spilled fuel immediately. Avoid creating a source of ignition for spilled fuel. Do not start the engine until fuel vapors dissipate.

1. Position the unit with the fuel cap facing up.
2. Remove the fuel cap.
3. Place the fuel container spout into the fill hole on the fuel tank and fill the tank.

**NOTE:** Do not overfill the tank.

4. Wipe up any fuel that may have spilled.
5. Reinstall the fuel cap.
6. Move the unit at least 30 ft. (9.1 m) from the fuel container and the fueling site before starting the engine.

## STARTING AND STOPPING



**WARNING:** Operate this unit only in a well-ventilated outdoor area. Carbon monoxide exhaust fumes can be lethal in a confined area.



**WARNING:** Avoid accidentally starting the unit. To avoid serious injury, the operator and the unit must be in a stable position when pulling the starter rope (Fig. 10).

### STARTING INSTRUCTIONS

1. Check the oil level. Refer to *Checking the Oil Level*.
2. Fill the fuel tank. Refer to *Fueling the Unit*.

**NOTE:** There is no need to turn the unit on. The On/Off switch is in the ON (1) position at all times (Fig. 8).

3. Slowly press and release the primer bulb **10 times** (Fig. 9).
4. Move the choke lever to **Position 1** (Fig. 9).
5. Crouch in the starting position (Fig. 10).

**NOTE: SQUEEZE and HOLD** the throttle control for **ALL** further steps.

6. Squeeze the throttle control (Fig. 8) and pull the starter rope with a controlled and steady motion **5 times** (Fig. 10).
7. Continue to squeeze the throttle control. Move the choke lever to **Position 2** (Fig. 9).
8. Continue to squeeze the throttle control. Pull the starter rope with a controlled and steady motion **3 to 5 times** to start the engine.
9. Continue to squeeze the throttle control. Allow the engine to warm up for 30 to 60 seconds.
10. Continue to squeeze the throttle control. Move the choke lever to **Position 3** (Fig. 9) and continue warming the engine for an additional 60 seconds. The unit may be used during this time.

**IF...** the engine does not start, begin the starting procedure with step 3.

**IF...** the engine fails to start after a few attempts, move the choke lever to **Position 3** and squeeze the throttle control. Pull the starter rope with a controlled and steady motion **3 to 8 times**. The engine should start. If it does not, repeat this instruction.

**IF THE UNIT WAS RUN FOR 10-15 MINUTES AND THE ENGINE IS HOT...** perform steps 3 - 8 to restart the engine. Continue to squeeze the throttle control. Run the unit for **2-5 minutes**, or as needed. **The unit may be used during this time.** Then move the choke lever to **Position 3**.

If the engine speed fluctuates in **Position 3**, squeeze and hold the throttle control, move the choke lever to **Position 2**, and run the unit for **2-5 minutes**, or as needed. **The unit may be used during this time.** Then move the choke lever to **Position 3**.

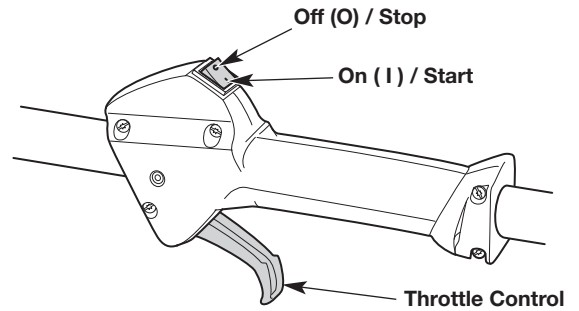


Fig. 8

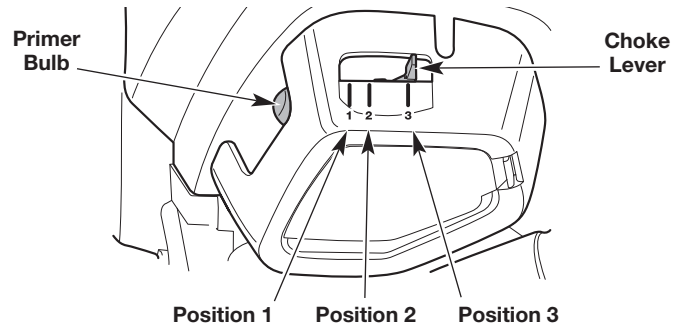


Fig. 9

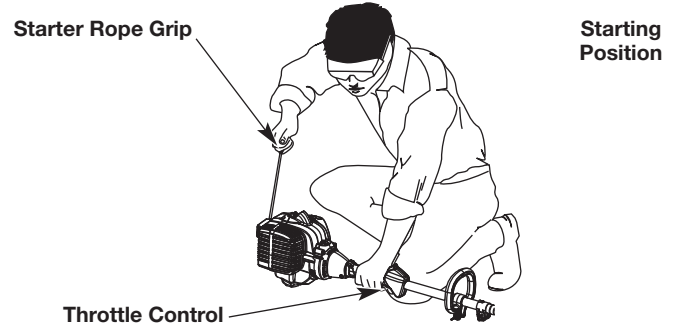


Fig. 10

### STOPPING INSTRUCTIONS

1. Release the throttle control and allow the engine to idle.
2. Press and hold the On/Off switch in the OFF (O) position until the engine comes to a complete stop (Fig. 8).



## HOLDING THE UNIT



**WARNING:** Always wear eye, hearing, hand, foot and body protection to reduce the risk of injury when operating this unit.

- Stand in the operating position (Fig. 11). Stand up straight. Do not bend over.
- Keep feet apart and firmly planted.
- Hold the shaft grip with the right hand. Keep the right arm slightly bent.
- Hold the handle with the left hand. Keep the left arm straight.
- Hold the unit at waist level.
- Position the cutting head a few inches above the ground.



Fig. 11

## ADJUSTING THE TRIMMING LINE LENGTH

This unit is equipped with a Bump Head. Trimming line can be released from the cutting head without stopping the engine.

To release more line, lightly tap the bump knob on the ground (Fig. 12) while operating the unit at high speed. For best results, tap the bump knob on bare ground or hard soil. Attempting to release line in tall grass may stall the engine.

**NOTE:** Do not rest the cutting head on the ground while the unit is running.

Each time the bump knob is tapped, about 1.5 inches (38 mm) of trimming line is released.

**NOTE:** Always keep the trimming line fully extended. Line release becomes more difficult when the cutting line gets shorter.

A blade in the cutting head shield will cut the line to the proper length if any excess line is released.

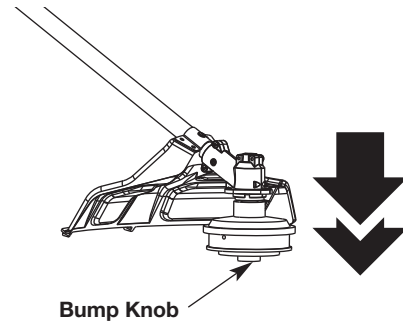


Fig. 12



**CAUTION:** Do not remove or alter the line cutting blade assembly. Excessive line length will make the unit overheat. This may lead to serious personal injury or damage to the unit.

## TIPS FOR BEST RESULTS

- To direct clippings away from the operator, tilt the cutting head slightly down to the right; cut from left to right whenever possible.
- Do not trim wet grass or weeds.

**NOTE:** Some line breakage will occur from:

- Entanglement with foreign matter
- Normal line fatigue
- Attempting to cut thick vegetation
- Forcing the line into objects such as walls or fence posts

## DECORATIVE TRIMMING

When trimming around trees, posts, fences, etc., rotate the whole unit so that the cutting head is at a 30° angle to the ground (Fig. 13).

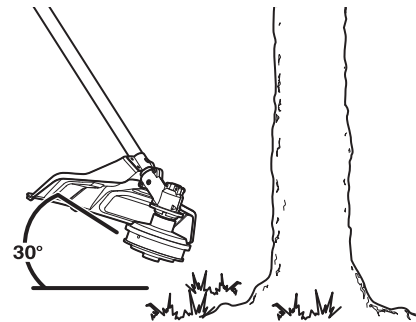


Fig. 13



**WARNING:** To prevent serious injury, never perform maintenance or repairs while the unit is running. Always allow the unit to cool before servicing or repairing the unit. Disconnect the spark plug wire to prevent the unit from starting accidentally.

## MAINTENANCE SCHEDULE

Perform these required maintenance procedures at the frequency stated in the table. These procedures should also be a part of any seasonal tune-up.

**NOTE:** Some maintenance procedures may require special tools or skills. If you are unsure about these procedures, take the unit to an MTD authorized service dealer.

**NOTE:** Maintenance, replacement, or repair of the emission control devices and system may be performed by an MTD authorized service dealer.

**NOTE:** Please read the California/EPA statement that came with the unit for a complete listing of terms and coverage for the emissions control devices, such as the spark arrestor, muffler, carburetor, etc.

FREQUENCY	MAINTENANCE REQUIRED
Every 10 hours	<ul style="list-style-type: none"> <li>Clean and re-oil the air filter. Refer to <i>Maintaining the Air Filter</i>.</li> </ul>
After the first 10 hours and at 38 hours	<ul style="list-style-type: none"> <li>Change the oil. Refer to <i>Changing the Oil</i>.</li> <li>Have the rocker arm clearance checked by an authorized service dealer.</li> <li>Check the spark plug condition and gap. Refer to <i>Maintaining the Spark Plug</i>.</li> </ul>

## REPLACING THE TRIMMING LINE

Only use the trimming line described in the *Specifications* section. Other types of trimming line may cause the unit to overheat or fail.



**WARNING:** Never use metal-reinforced line, wire, chain or rope. These can break off and become dangerous projectiles.

**NOTE:** Always use the correct line length when installing trimming line. The line may not release properly if the line is too long.

**NOTE:** The outer spool will remain attached to the unit.

### Installing New Trimming Line

- If necessary, remove any old trimming line and/or obstructions from the cutting head. Refer to *Removing Old Trimming Line and Obstructions*.
- Cut one 20 foot (6 m) length of new trimming line.
- Turn the bump knob clockwise to align the arrows (Fig. 14).
- Insert the new trimming line into the entry eyelet (Fig. 14). Push the line through the cutting head until a few inches protrude from the exit eyelet. Pull the line until the ends are of equal length.
- Turn the bump knob clockwise to wind the line until about 5 inches (12.7 cm) protrude from each side of the cutting head (Fig. 15). **DO NOT** push the bump knob down while winding the line.

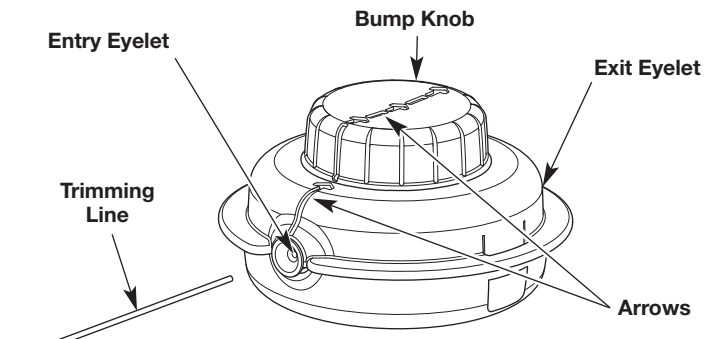


Fig. 14

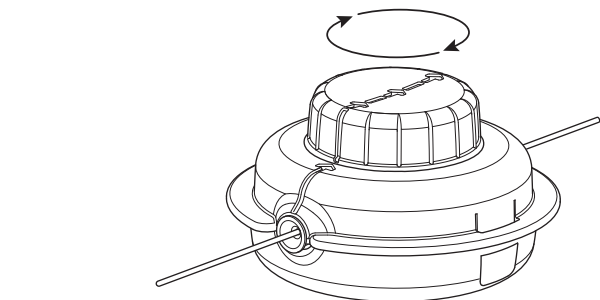


Fig. 15

## Removing Old Trimming Line and Obstructions

If necessary, remove any old trimming line and/or obstructions from the cutting head.

1. Firmly press in the tabs on the cutting head (Fig. 16).
2. Remove the spool cover (Fig. 16).
3. Remove any old trimming line and/or obstructions.
4. Use a clean cloth to clean the inner reel, outer spool and spool cover (Fig. 16).
5. Align the tabs on the spool cover with the holes on the outer spool (Fig. 16). Push the spool cover onto the outer spool until the tabs securely snap into the holes.

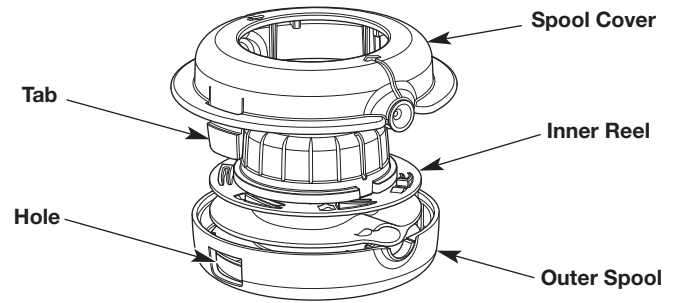


Fig. 16

## CHECKING THE OIL LEVEL



**WARNING: OVERFILLING THE CRANKCASE MAY CAUSE SERIOUS PERSONAL INJURY.** Check the oil level before each use. The importance of maintaining the proper oil level cannot be overemphasized.

1. Stop the engine and allow it to cool.
2. **Set the unit on a flat, level surface**, such as a workbench or table. The cutting head shield should hang over the edge so that the engine is level (Fig. 17).

**NOTE:** Failure to keep the engine level may cause the oil to overflow.

3. Clean the area around the oil fill plug (Fig. 18) to prevent debris from entering the oil fill hole.
4. Unscrew the oil fill plug.

5. Look into the oil fill hole; use a flashlight if necessary. **The oil level should just touch the bottom thread of the oil fill hole** (Fig. 19). If the oil level is too low, add oil to the oil fill hole until the oil level touches the bottom thread of the oil fill hole.

**NOTE: DO NOT** overfill the crankcase.

6. Wipe up any oil that may have spilled.
7. Reinstall the oil fill plug.

**NOTE:** Make sure the O-ring is in place on the oil fill plug (Fig. 18).

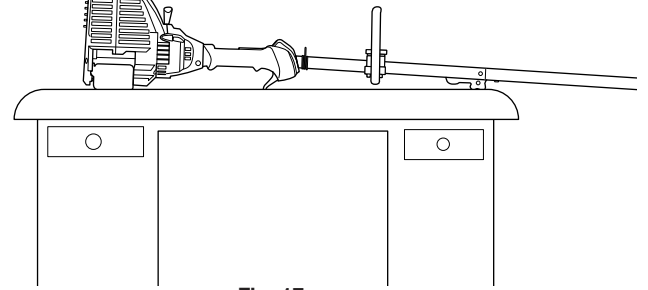


Fig. 17

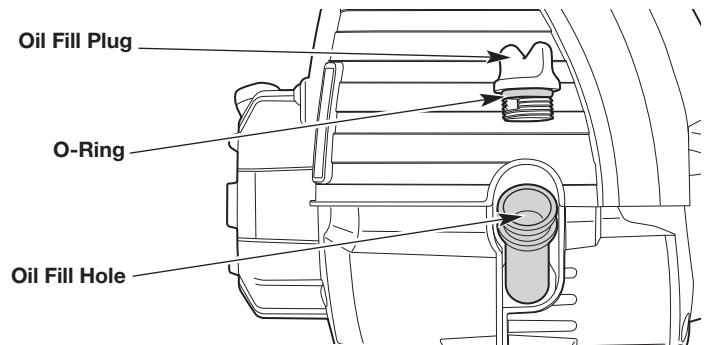


Fig. 18

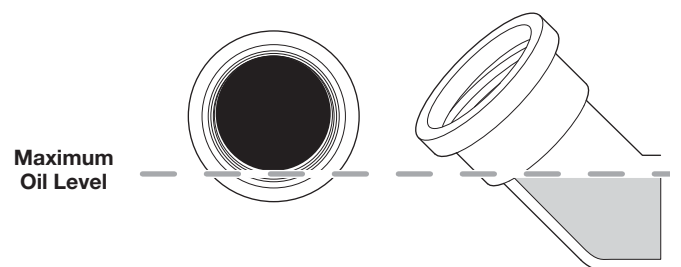


Fig. 19

## CHANGING THE OIL

Change the oil while the engine is still warm. The oil will flow freely and carry away more impurities.

1. Clean the area around the oil fill plug (Fig. 18) to prevent debris from entering the oil fill hole.
2. Unscrew the oil fill plug.
3. Tip the unit vertically to pour the oil out of the oil fill hole and into a container (Fig. 20). Allow ample time for complete drainage.

**NOTE:** Dispose of the old oil according to federal, state and local regulations.

4. Wipe up any oil that may have spilled.
5. Pour 2.03 fl.oz. (60 ml) of SAE 30 oil into the oil fill hole.

**NOTE: DO NOT** overfill. Refer to *Checking the Oil Level*.

**NOTE:** Use the empty oil bottle saved from the initial use to measure the correct amount of oil. Fill the oil bottle to the 2.03 fl. oz (60 ml) fill line indicated on the back of the bottle (Fig. 21).

6. Wipe up any oil that may have spilled.
7. Reinstall the oil fill plug.

**NOTE:** Make sure the O-ring is in place on the oil fill plug (Fig. 18).

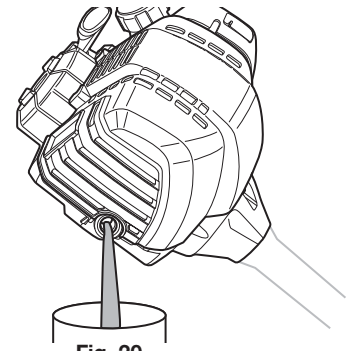


Fig. 20

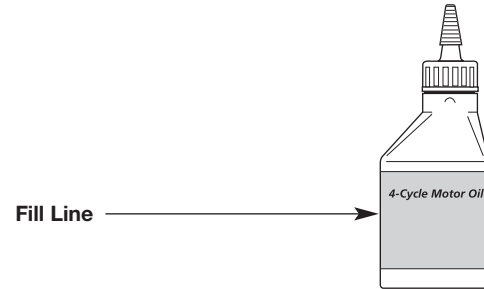



Fig. 21

## MAINTAINING THE AIR FILTER

	<b>WARNING:</b> To avoid serious personal injury, always stop the engine and allow it to cool before cleaning or maintaining the unit.
--	--

Failure to maintain the air filter can result in poor performance or can cause permanent damage to the engine. Engine failure due to improper air filter maintenance is not covered by the product warranty.

### Cleaning the Air Filter

1. Open the air filter cover: press in the lock tab and swing the air filter cover to the left (Fig. 22).
2. Remove the air filter (Fig. 23).
3. Wash the air filter in detergent and water. Rinse the air filter thoroughly and allow it to dry.
4. Lightly coat the air filter with clean SAE 30 oil.
5. Squeeze the air filter to spread and remove excess oil.
6. Reinstall the air filter (Fig. 23).

**NOTE:** Operating the unit without the air filter and air filter cover will VOID the warranty.

7. Close the air filter cover: insert the tabs on the air filter cover into the slots on the backplate. Swing the air filter cover to the right and press it closed until the lock tab snaps into place (Fig. 22).

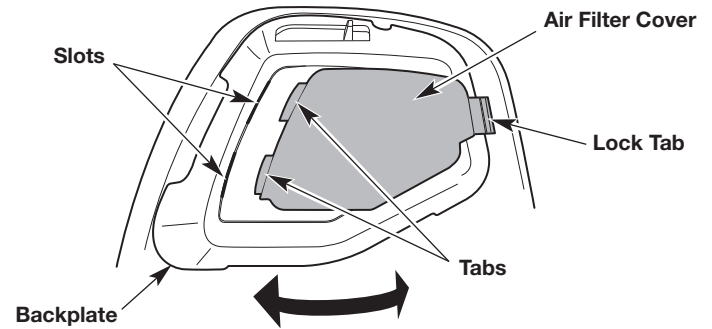


Fig. 22

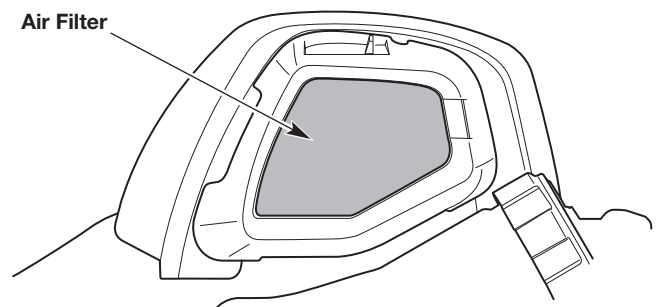


Fig. 23

## ADJUSTING THE IDLE SPEED



**WARNING:** The cutting head may spin during idle speed adjustments. Wear protective clothing and observe all safety instructions to prevent serious personal injury.

**NOTE:** Careless adjustments can seriously damage the unit. An authorized service dealer should make carburetor adjustments.

If, after checking the fuel and cleaning the air filter, the engine still will not idle, adjust the idle speed screw as follows:

1. Start the engine. Refer to *Starting and Stopping*.
2. Release the throttle control and let the engine idle.
  - If the engine stops, use a small Phillips screwdriver to turn the idle speed screw clockwise, 1/8 of a turn at a time (as needed) until the engine idles smoothly (Fig. 24).
  - If the engine idles too quickly, turn the idle speed screw counterclockwise, 1/8 of a turn at a time (as needed) to reduce the idle speed (Fig. 24).

**NOTE:** The cutting head should not spin when the engine idles. If it does, reduce the idle speed until the cutting head stops moving.

Checking the fuel, cleaning the air filter, and adjusting the idle speed should solve most engine problems. If not, and any of the following conditions are true, take the unit to an authorized service dealer:

- the engine will not idle
- the engine hesitates or stalls on acceleration
- there is a loss of engine power

## MAINTAINING THE SPARK PLUG

1. Stop the engine and allow it to cool.
2. Remove the three (3) screws from the engine cover with a flat-head screwdriver or T-25 Torx screwdriver (Fig. 25). Remove the engine cover.
3. Grasp the spark plug boot firmly and pull it from the spark plug.
4. Clean around the spark plug. Remove the spark plug from the cylinder head with a 5/8-inch socket, turning counterclockwise.



**WARNING:** Do not sand blast, scrape or clean spark plug electrodes. Grit in the engine could damage the cylinder.

5. Inspect the spark plug. If the spark plug is cracked, fouled or dirty, replace it with replacement part #753-05784, a **Champion RDZ4H** or an equivalent spark plug.
6. Use a feeler gauge to set the air gap at **0.025 in. (0.635 mm)** (Fig. 26).
7. Install the spark plug in the cylinder head. Tighten the spark plug with a 5/8-inch socket, turning it clockwise until snug.

**NOTE:** If using a torque wrench, torque to:

**110-120 in.·lb. (12.3-13.5 N·m). Do not over tighten.**

8. Reattach the spark plug boot.
9. Reinstall the engine cover. Check the alignment of the engine cover before tightening the screws. Tighten the screws.

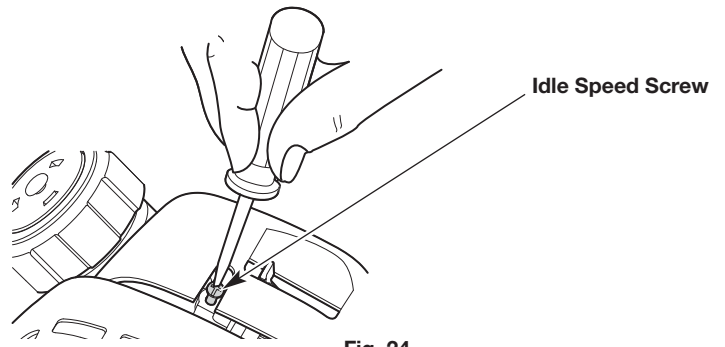


Fig. 24

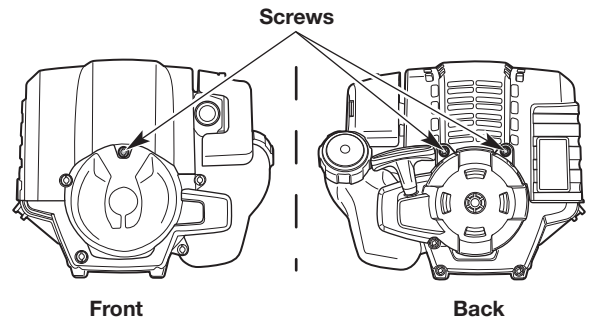


Fig. 25

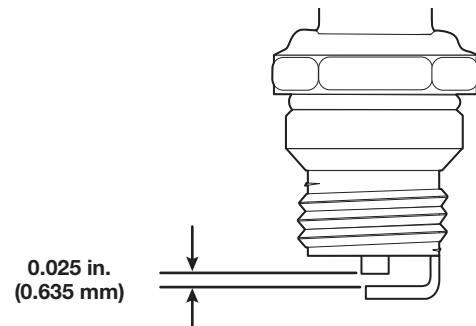


Fig. 26

## CLEANING AND STORAGE

### CLEANING



**WARNING:** To avoid serious personal injury, always stop the engine and allow it to cool before cleaning or maintaining the unit.

Use a small brush to clean the outside of the unit. Do not use strong detergents. Household cleaners that contain aromatic oils such as pine and lemon, and solvents such as kerosene, can damage plastic. Wipe off any moisture with a soft cloth.

### STORAGE

- Never store a fueled unit where fumes may reach an open flame or spark.
- Allow the engine to cool before storing.
- Lock up the unit to prevent unauthorized use or damage.
- Store the unit in a dry, well-ventilated area.
- Store the unit out of the reach of children.
- To suspend the attachment from a hook, install the hanger cap onto the attachment. Make sure the release button is securely locked into one of the holes on the hanger cap.

#### Short-term Storage (1-2 weeks)

1. Store the unit in a horizontal position. If this is not possible, store the unit vertically with the engine at the top.

#### Long-term Storage

1. Remove the fuel cap, tip the unit and drain the fuel into an approved container. Reinstall the fuel cap.
2. Start the engine and allow it to run until it stalls. This ensures that all fuel has been drained from the carburetor.
3. Allow the engine to cool. Remove the spark plug and put 5 drops of any high quality motor oil into the cylinder. Pull the starter rope slowly to distribute the oil. Reinstall the spark plug.
4. Thoroughly clean the unit and inspect it for any loose or damaged parts. Repair or replace damaged parts and tighten loose screws, nuts or bolts.

#### Preparing the Unit for Use after Long-term Storage

1. Remove the spark plug and drain all of the oil from the cylinder.
2. Change the oil. Refer to *Changing the Oil*.

**NOTE:** Do not use fuel that has been stored for more than 30 days. Dispose of old fuel according to federal, state and local regulations.



## TROUBLESHOOTING

PROBLEM	SOLUTION
<b>THE ENGINE WILL NOT START</b>	
The fuel tank is empty	Fill the fuel tank with fresh fuel
The primer bulb was not pressed enough	Press the primer bulb 10 times
The fuel is old (over 30 days)	Drain the fuel tank and add fresh fuel
The spark plug is fouled	Replace the spark plug
The engine is hot	Refer to the <i>IF... THE ENGINE IS HOT</i> instructions in the <i>Starting and Stopping</i> section
<b>THE ENGINE WILL NOT IDLE</b>	
The air filter is dirty	Clean or replace the air filter
The fuel is old (over 30 days)	Drain the fuel tank and add fresh fuel
The idle speed is incorrect	Adjust the idle speed
<b>THE ENGINE WILL NOT ACCELERATE</b>	
The fuel is old (over 30 days)	Drain the fuel tank and add fresh fuel
The cutting head is bound with grass	Stop the engine and clean the cutting head
The air filter is dirty	Clean or replace the air filter
<b>THE ENGINE LACKS POWER OR STALLS</b>	
The fuel is old (over 30 days)	Drain the fuel tank and add fresh fuel
The air filter is dirty	Clean or replace the air filter
The spark plug is fouled	Replace the spark plug
<b>THE CUTTING HEAD WILL NOT ADVANCE LINE</b>	
The cutting head is bound with grass	Stop the engine and clean the cutting head
The cutting head is out of line	Refill the cutting head with new line
The inner reel is bound up	Rewind the line
The cutting head is dirty	Clean the inner reel and outer spool
The line is welded	Open the cutting head and remove the welded section
The line is twisted	Rewind the line
Not enough line is extended	Stop the unit, push the bump knob and pull the line until 4 inches (102 mm) is outside of the cutting head
<b>THE CUTTING LINE ADVANCES UNCONTROLLABLY</b>	
There is oil, cleaner or lubricant in the cutting head	Clean and thoroughly dry the cutting head

**If further assistance is required, contact an authorized service dealer.**





MANUFACTURER'S LIMITED WARRANTY FOR:



The limited warranty set forth below is given by Cub Cadet LLC (Cub Cadet) with respect to new merchandise purchased and used in the United States, its possessions and territories.

Cub Cadet warrants this product against defects in material and workmanship for a period of three (3) years commencing on the date of original purchase and will, at its option, repair or replace, free of charge, any part found to be defective in material or workmanship. This limited warranty shall only apply if this product has been operated and maintained in accordance with the Operator's Manual furnished with the product, and has not been subject to misuse, abuse, commercial use, neglect, accident, improper maintenance, alteration, vandalism, theft, fire, water or damage because of other peril or natural disaster. Damage resulting from the installation or use of any accessory or attachment not approved by Cub Cadet for use with the product(s) covered by this manual will void your warranty as to any resulting damage. This warranty is limited to ninety (90) days from the date of original retail purchase for any Cub Cadet product that is used for rental or commercial purposes, or any other income-producing purpose.

**HOW TO OBTAIN SERVICE:** Warranty service is available, WITH PROOF OF PURCHASE THROUGH YOUR LOCAL AUTHORIZED SERVICE DEALER. To locate the dealer in your area, visit our website at [www.cubcadet.com](http://www.cubcadet.com) or [www.cubcadet.ca](http://www.cubcadet.ca), check for a listing in the Yellow Pages, call **1-877-282-8684** or **1-800-668-1238** in Canada, or write to P.O. Box 361131, Cleveland, OH 44136-0019. No product returned directly to the factory will be accepted unless prior written permission has been extended by the Customer Service Department of Cub Cadet.

**This limited warranty does not provide coverage in the following cases:**

- A. Tune-ups - Spark Plugs, Carburetor Adjustments, Filters
- B. Wear items - Bump Knobs, Outer Spools, Cutting Line, Inner Reels, Starter Pulley, Starter Ropes, Drive Belts, Saw Chains, Guide Bars, Cultivator Tines, Blades.
- C. Cub Cadet does not extend any warranty for products sold or exported outside of the United States of America, its possessions and territories, except those sold through Cub Cadet's authorized channels of export distribution.

Cub Cadet reserves the right to change or improve the design of any Cub Cadet Product without assuming any obligation to modify any product previously manufactured.

**No implied warranty, including any implied warranty of merchantability or fitness for a particular purpose, applies after the applicable period of express written warranty above as to the parts as identified. No other express warranty or guaranty, whether written or oral, except as mentioned above, given by any person or entity, including a dealer or retailer, with respect to any product shall bind Cub Cadet. During the period of the Warranty, the exclusive remedy is repair or replacement of the product as set forth above.** (Some states do not allow limitations on how long an implied warranty lasts, so the above limitation may not apply to you.)

**The provisions as set forth in this Warranty provide the sole and exclusive remedy arising from the sales. Cub Cadet shall not be liable for incidental or consequential loss or damages including, without limitation, expenses incurred for substitute or replacement lawn care services, for transportation or for related expenses, or for rental expenses to temporarily replace a warranted product.** (Some states do not allow limitations on how long an implied warranty lasts, so the above limitation may not apply to you.)

In no event shall recovery of any kind be greater than the amount of the purchase price of the product sold. Alteration of the safety features of the product shall void this Warranty. You assume the risk and liability for loss, damage, or injury to you and your property and/or to others and their property arising out of the use or misuse or inability to use the product.

This limited warranty shall not extend to anyone other than the original purchaser, original lessee or the person for whom it was purchased as a gift.

**How State Law Relates to this Warranty:** This warranty gives you specific legal rights, and you may also have other rights which vary from state to state.

To locate your nearest service dealer, dial **1-877-282-8684** in the United States or **1-800-668-1238** in Canada.

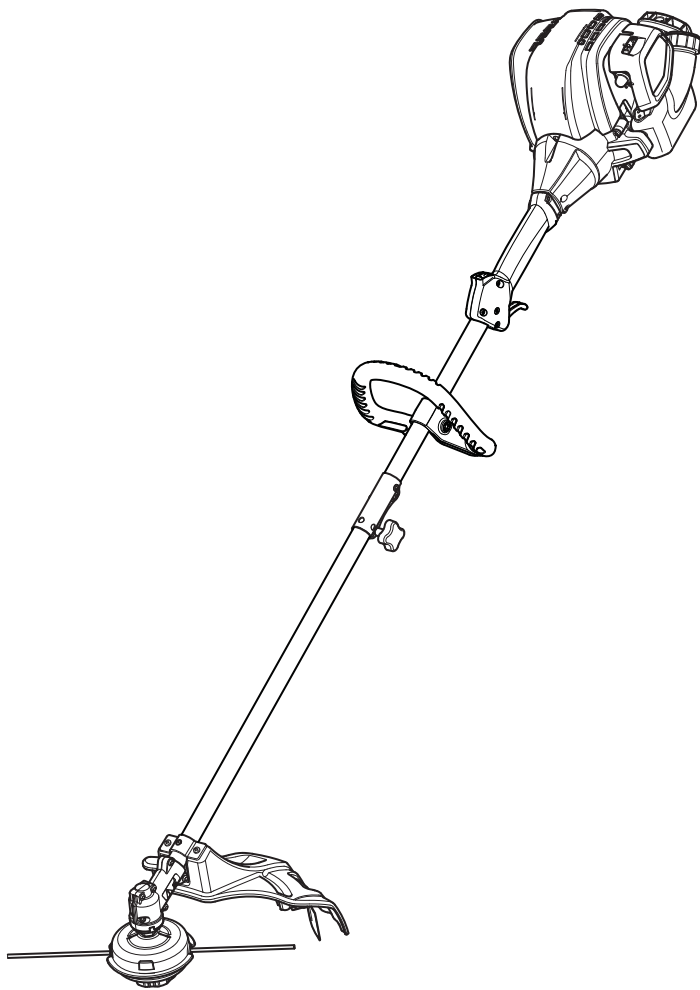
**CUB CADET LLC**

P.O. Box 361131  
Cleveland, OH 44136-0019

# Cub Cadet®

## Manuel de l'opérateur

### Taille-bordure à 4 temps SS470



#### TABLE DES MATIÈRES

Service technique .....	21
Sécurité .....	22
Apprenez à connaître votre appareil .....	25
Caractéristiques .....	25
Assemblage .....	26
Huile et carburant .....	28
Mise en marche et arrêt .....	30
Utilisation .....	31
Entretien .....	32
Nettoyage et entreposage .....	36
Dépannage .....	37
Garantie .....	38

## CONSERVEZ CES INSTRUCTIONS

### SERVICE TECHNIQUE

**NE RAMENEZ PAS CET APPAREIL CHEZ LE REVENDEUR. UNE PREUVE D'ACHAT SERA EXIGÉE POUR AVOIR RECOURS À LA GARANTIE.**

Pour obtenir de l'aide concernant l'assemblage, les commandes, l'utilisation ou l'entretien de cet appareil, veuillez contacter le service à la clientèle au **1-877-282-8684** (États-Unis) ou au **1-800-668-1238** (Canada). Pour obtenir des informations supplémentaires sur cet appareil, visitez le site Internet : **www.cubcadet.com** (É.-U.) ou **www.cubcadet.ca** (Canada).


Pour profiter du service technique, veuillez appeler le service à la clientèle pour obtenir une liste des centres de réparation agréés les plus proches. Les réparations de cet appareil doivent être confiées uniquement à un centre de réparation agréé, à la fois pendant et après la période de garantie. Lors d'une réparation, utilisez uniquement des pièces de rechange identiques.


Toutes les informations, illustrations et caractéristiques contenues dans ce manuel reposent sur les dernières informations disponibles sur ce produit à la date d'impression. Nous nous réservons le droit d'apporter à tout instant des modifications, sans préavis.  
Copyright© 2013 MTD SOUTHWEST INC, Tous droits réservés.

**IMPORTANT : Lisez attentivement ce manuel avant d'utiliser ce produit. Respectez toutes les instructions.**

Les symboles de sécurité visent à attirer votre attention sur les dangers éventuels. Vous devez accorder une attention particulière aux symboles de sécurité afin de bien les comprendre. Les avertissements de sécurité n'éliminent pas les dangers en eux-mêmes. Les instructions ou mises en garde ne remplacent en rien les mesures de prévention appropriées contre les accidents.

## SYMBOLE SIGNIFICATION

 **DANGER** : indique un danger EXTRÊME.  
Le non-respect d'un symbole de **DANGER ENTRAÎNERA** des blessures graves, voire un décès, de l'opérateur ou d'autres personnes.


 **AVERTISSEMENT** : indique un danger GRAVE.  
Le non-respect d'un symbole d'**AVERTISSEMENT PEUT** provoquer des blessures graves de l'opérateur ou d'autres personnes.

 **ATTENTION** : indique un danger MODÉRÉ.  
Le non-respect d'un symbole **ATTENTION POURRAIT** provoquer des blessures ou des dommages des biens de l'opérateur ou d'autres personnes.

**REMARQUE** : vous donne des informations ou des consignes essentielles pour l'utilisation ou l'entretien de l'équipement.

## NOTE SUR LE PARE-ÉTINCELLES


**REMARQUE** : à l'intention des utilisateurs sur les terrains forestiers américains et dans les États de Californie, du Maine, de l'Oregon et de Washington. Tous les services des forêts américains et les États de Californie (codes des ressources publiques 4442 et 4443), de l'Oregon et de Washington exigent, au titre de la loi, que certains moteurs à combustion interne utilisés dans les broussailles de forêt et/ou les zones recouvertes d'herbe soient équipés d'un pare-étincelles, soient maintenus en bon état de marche, ou soient construits, équipés et entretenus en vue d'éviter tout risque d'incendie. Veuillez contacter les autorités nationales ou locales pour connaître les réglementations à cet égard. Le non-respect de ces exigences pourrait impliquer votre responsabilité ou entraîner une amende. **Cet appareil est équipé en usine d'un pare-étincelles.** Si un remplacement est nécessaire, communiquez avec votre distributeur local pour l'installation du silencieux approprié.

 **PROPOSITION 65 DE L'ÉTAT DE CALIFORNIE AVERTISSEMENT** : les gaz d'échappement, certains de leurs constituants et certains composants finis contiennent ou émettent des produits chimiques reconnus par l'État de Californie comme étant à l'origine de cancers ou de malformations congénitales ou autres dangers pour la reproduction. Lavez-vous les mains après avoir manipulé l'appareil.

**Veuillez lire le manuel de l'opérateur et respecter tous les avertissements et consignes de sécurité. Dans le cas contraire, l'opérateur et/ou les passants peuvent subir des blessures graves.**

# • CONSIGNES DE SÉCURITÉ IMPORTANTES •

## VEUILLEZ LIRE TOUTES LES INSTRUCTIONS AVANT

 **AVERTISSEMENT** : quand vous utilisez l'appareil, vous devez respecter toutes les règles de sécurité. Veuillez lire ces consignes avant d'utiliser l'appareil pour assurer la sécurité de l'opérateur et de tous les passants. Veuillez conserver ces instructions pour référence ultérieure.

- Veuillez lire soigneusement ces instructions. Familiarisez-vous avec les commandes et l'utilisation correcte de l'appareil.
- N'utilisez pas cet appareil quand vous êtes fatigué, malade ou sous l'influence de boissons alcoolisées, de drogues ou de médicaments.
- Les enfants ne doivent pas utiliser cet appareil. Les adolescents doivent être supervisés par des adultes.
- Tous les carters et dispositifs de sécurité doivent être correctement installés avant l'utilisation de cet appareil.
- Inspectez l'appareil avant l'utilisation. Remplacez les pièces endommagées. Détectez les fuites de carburant éventuelles. Assurez-vous que toutes les fixations sont en place et bien serrées. Remplacez les pièces fissurées, ébréchées ou endommagées d'une manière ou d'une autre. N'utilisez pas l'appareil quand des pièces sont desserrées ou endommagées.

- Utilisez uniquement le fil de coupe décrit dans la section *Caractéristiques* de ce manuel. N'utilisez jamais de fils, de câbles, de chaînes ou de cordons à renfort métallique. Ils peuvent se casser et se transformer en projectiles dangereux.
- Ne pas remplacer la tête de coupe par des lames rigides ou en métal. Cela pourrait entraîner de graves blessures.
- Vous devez être conscient des risques de blessures à la tête, aux mains et aux pieds.
- Inspectez attentivement la zone de travail avant de démarrer l'appareil. Retirez les pierres, le verre cassé, les clous, les fils, les ficelles et autres objets qui peuvent être projetés ou s'enrouler dans l'appareil.
- Éloignez les enfants, les passants et les animaux domestiques ; ils doivent rester dans un rayon d'au moins 15 mètres (50 pieds). Même à cette distance, il existe néanmoins un risque de projectiles pour les personnes à proximité. Encouragez-les à porter des lunettes de sécurité. Si quelqu'un s'approche de vous, arrêtez immédiatement l'appareil.
- Appuyez sur la manette des gaz et vérifiez qu'elle revient automatiquement à la position de ralenti. Effectuez tous les réglages ou réparations avant d'utiliser l'appareil.
- Cet appareil est uniquement destiné à un usage domestique occasionnel.



## AVERTISSEMENTS DE SÉCURITÉ POUR LES APPAREILS À GAZ



**AVERTISSEMENT :** l'essence est extrêmement inflammable et ses vapeurs peuvent exploser en présence d'une source d'inflammation. Prenez les précautions suivantes :

- Stockez le carburant uniquement dans des récipients spécifiquement conçus à cet usage et approuvés pour le stockage de telles substances.
- Arrêtez toujours le moteur et laissez-le refroidir avant de remplir le réservoir d'essence. N'enlevez jamais le bouchon du réservoir de carburant ou ne remplissez jamais ce dernier quand le moteur est chaud. Dévissez toujours lentement le bouchon du réservoir de carburant afin de relâcher toute pression présente avant de le remplir.
- Ajoutez toujours du carburant dans un endroit propre et bien aéré en plein air, où il n'y a pas d'étincelles ou de flammes. **NE FUMEZ PAS.**
- N'utilisez jamais l'appareil quand le bouchon du réservoir de carburant n'est pas correctement vissé.
- Évitez de créer une source d'inflammation en présence d'un déversement de carburant. Essayez immédiatement tout carburant échappé du réservoir avant de démarrer l'appareil. Éloignez l'appareil à 9,1 mètres (30 pieds) au moins de la source de ravitaillement et du site avant de démarrer le moteur. **NE fumez PAS.**
- Ne démarrez jamais ou n'utilisez jamais l'appareil à l'intérieur d'un espace ou d'un bâtiment clos. L'inhalation des fumées d'échappement peut tuer. Utilisez cet appareil uniquement dans une zone extérieure bien aérée.

### PENDANT L'UTILISATION

- Portez des lunettes de sécurité conformes aux normes ANSI / ISEA Z87.1 en vigueur et marquées comme telles. Portez une protection auditive pendant l'utilisation de cet appareil. Portez un écran facial ou un masque antipoussières si la tâche est poussiéreuse.
- Portez un pantalon long et épais, des bottes, des gants et une chemise à manches longues. Ne portez pas des vêtements amples, des bijoux, un pantalon court, des sandales et ne travaillez pas pieds nus. Attachez vos cheveux au-dessus des épaules.
- Le carter de la tête de coupe doit toujours être en place pendant l'utilisation de l'appareil. N'utilisez pas l'appareil sans que les deux fils de coupe soient tendus et que le fil correct soit installé. Ne tirez pas le fil de coupe au-delà du carter de protection.
- Cet appareil est doté d'un embrayage. La tête de coupe reste immobile quand le moteur tourne au ralenti. Si ce n'est pas le cas, apporter l'appareil à un centre de réparation agréé pour obtenir un ajustement.
- Ajustez la poignée pour procurer une meilleure prise, le cas échéant.
- Assurez-vous que l'accessoire n'est pas en contact avec quoi que ce soit avant de démarrer l'appareil.
- Utilisez l'appareil uniquement en plein jour ou avec un bon éclairage artificiel.
- Évitez tout démarrage accidentel. Placez-vous dans la position de démarrage dès que vous tirez sur le câble de démarreur. L'opérateur et l'appareil doivent être dans une position stable pendant le démarrage. Consultez les sections *Mise en marche et Arrêt*.
- Utilisez le bon outil. Utilisez uniquement cet outil pour l'usage prévu.
- Tenez toujours l'appareil à deux mains lorsqu'il est en marche. Tenez fermement les deux anses ou poignées.

- Ne vous penchez pas trop en avant. Conservez toujours une position stable et un bon équilibre. Redoublez de prudence lorsque vous travaillez dans des escaliers, des pentes ou des rampes abruptes. Pour éviter les blessures graves, n'utilisez pas l'appareil lorsque vous vous trouvez sur une échelle ou un toit.
- Éloignez vos mains, votre visage et vos pieds des pièces mobiles. Ne touchez pas ou n'essayez pas d'arrêter des pièces en mouvement.
- Ne touchez pas le moteur, le carter d'engrenage ou le pot d'échappement. Ces composants deviennent extrêmement chauds pendant l'utilisation, même après l'arrêt de l'appareil.
- N'utilisez pas l'appareil à une vitesse supérieure à celle nécessaire pour réaliser le travail. Ne faites pas fonctionner l'appareil à haute vitesse quand vous ne l'utilisez pas.
- Ne forcez pas l'appareil. Il sera plus efficace et plus sûr si vous l'utilisez à la vitesse pour laquelle il a été conçu.
- Arrêtez toujours l'appareil quand le travail est interrompu ou quand vous vous déplacez d'un endroit à un autre.
- Si vous heurtez ou enrroulez un objet étranger dans l'appareil, arrêtez immédiatement l'appareil et vérifiez les dommages éventuels. Ne redémarrez pas l'appareil avant de l'avoir réparé. N'utilisez pas l'appareil quand des pièces sont desserrées ou endommagées.
- Arrêtez le moteur et débranchez la bougie pour les tâches d'entretien ou les réparations.
- Utilisez uniquement des pièces et des accessoires de rechange du fabricant d'origine pour cet appareil. Ils sont disponibles auprès de votre centre de réparation agréé. L'utilisation d'autres pièces ou accessoires pourrait entraîner de graves blessures de l'utilisateur ou endommager l'appareil, et annuler la garantie.
- L'appareil doit rester propre. Retirez avec précaution la végétation et autres débris qui pourraient bloquer les pièces mobiles.
- Pour réduire les risques d'incendie, remplacez un pot d'échappement et un pare-étincelles défectueux. Nettoyez l'herbe, les feuilles, les couches de graisse excessives ou les dépôts de carbone présents sur le moteur et le pot d'échappement.
- Si l'appareil commence à vibrer de façon anormale, arrêtez-le immédiatement. Inspectez l'appareil pour découvrir l'origine des vibrations. Les vibrations indiquent en général un problème.

### AUTRES AVERTISSEMENTS DE SÉCURITÉ

- Toutes les réparations, autres que les procédures de maintenance décrites dans ce manuel, doivent être effectuées par un centre de réparations agréé.
- Avant une inspection, un entretien, un nettoyage, un entreposage, un transport ou le remplacement d'une pièce de l'appareil :
  1. Arrêtez l'appareil.
  2. Assurez-vous que toutes les pièces mobiles se sont arrêtées.
  3. Laissez l'appareil refroidir.
  4. Débranchez le fil de la bougie.
- Assurez-vous que l'appareil est sécurisé pour les transports.
- Quand le réservoir contient du carburant, ne rangez jamais l'appareil à l'intérieur d'un bâtiment où des vapeurs d'essence pourraient atteindre une flamme nue (veilleuses, etc.) ou des étincelles (interrupteurs, moteurs électriques, etc.).
- Rangez l'appareil dans un endroit sec et sûr ou en hauteur pour éviter une utilisation non autorisée ou des dommages. Gardez toujours l'appareil hors de portée des enfants.
- Ne mouillez pas ou n'éclaboussez pas l'appareil avec de l'eau ou tout autre liquide. Gardez les poignées sèches et propres (sans débris, huile et graisse). Nettoyez l'appareil après chaque utilisation. Consultez la section *Nettoyage et entreposage*. N'utilisez pas de solvants ou de puissants détergents.




- Conservez ces instructions. Consultez-les souvent et utilisez-les pour former d'autres utilisateurs. Si vous prêtez cet appareil à d'autres personnes, remettez-leur également ces instructions.

# CONSERVEZ CES INSTRUCTIONS




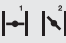




## • SYMBOLES DE SÉCURITÉ ET INTERNATIONAUX •

Le présent manuel de l'opérateur décrit les symboles et pictogrammes de sécurité et internationaux, susceptibles d'apparaître sur ce produit. Veuillez lire le manuel de l'opérateur pour connaître les informations complètes sur la sécurité, l'assemblage, l'utilisation, l'entretien et la réparation.

### SYMBOLE SIGNIFICATION

	<ul style="list-style-type: none"> <li>• <b>SYMBOLE D'ALERTE DE SÉCURITÉ</b> Indique un danger, un avertissement ou une mise en garde. Peut être utilisé conjointement avec d'autres symboles ou pictogrammes.</li> </ul>
	<ul style="list-style-type: none"> <li>• <b>LISEZ LE MANUEL DE L'OPÉRATEUR</b> <b>AVERTISSEMENT :</b> veuillez lire le(s) manuel(s) de l'opérateur et respecter tous les avertissements et consignes de sécurité. Dans le cas contraire, l'opérateur et/ou les passants peuvent subir des blessures graves.</li> </ul>
	<ul style="list-style-type: none"> <li>• <b>PORTEZ DES PROTECTIONS AUDITIVES ET OCULAIRES</b> <b>AVERTISSEMENT :</b> la projection d'objets et les bruits forts peuvent provoquer des blessures oculaires graves et une perte auditive. Portez une protection oculaire conforme aux normes ANSI / ISEA Z87.1 en vigueur, ainsi qu'une protection auditive pendant l'utilisation de cet appareil. Utilisez un écran facial complet dès que nécessaire.</li> </ul>
	<ul style="list-style-type: none"> <li>• <b>ESSENCE SANS PLOMB</b> Utilisez toujours de l'essence sans plomb, propre et neuve.</li> </ul>
	<ul style="list-style-type: none"> <li>• <b>HUILE</b> Consultez le manuel de l'opérateur pour connaître le type d'huile à utiliser.</li> </ul>
	<ul style="list-style-type: none"> <li>• <b>N'UTILISEZ PAS UN CARBURANT E85 DANS CET APPAREIL</b> <b>AVERTISSEMENT :</b> il a été prouvé qu'un carburant contenant plus de 10 % d'éthanol est susceptible d'endommager ce moteur et d'annuler la garantie.</li> </ul>

### SYMBOLE SIGNIFICATION

	<ul style="list-style-type: none"> <li>• <b>COMMANDE DE MARCHÉ/ARRÊT</b> ALLUMAGE / DÉMARRAGE / MARCHÉ</li> </ul>
	<ul style="list-style-type: none"> <li>• <b>COMMANDE DE MARCHÉ/ARRÊT</b> ARRÊT</li> </ul>
	<ul style="list-style-type: none"> <li>• <b>POIRE D'AMORÇAGE</b> Poussez complètement et lentement la poire d'amorçage à 10 reprises.</li> </ul>
	<ul style="list-style-type: none"> <li>• <b>COMMANDE DE L'ÉTRANGLEUR</b> <ol style="list-style-type: none"> <li>• Position d'étranglement MAXIMUM</li> <li>• Position d'étranglement PARTIELLE</li> <li>• Position d'étranglement MARCHÉ</li> </ol> </li> </ul>
	<ul style="list-style-type: none"> <li>• <b>LES OBJETS PROJÉTÉS ET LA TÊTE ROTATIVE PEUVENT PROVOQUER DES BLESSURES GRAVES</b> <b>AVERTISSEMENT :</b> les petits objets peuvent être propulsés à des vitesses élevées, provoquant des blessures. Tenez-les à l'écart du rotor en mouvement.</li> </ul>
	<ul style="list-style-type: none"> <li>• <b>ÉLOIGNEZ LES PASSANTS</b> <b>AVERTISSEMENT :</b> éloignez tous les passants, en particulier les enfants et les animaux domestiques, à 15 m (50 pieds) au moins de la zone de coupe.</li> </ul>
	<ul style="list-style-type: none"> <li>• <b>SURFACE CHAUDE</b> <b>AVERTISSEMENT :</b> ne touchez pas un pot d'échappement ou un cylindre chaud. Vous pourriez vous brûler. Ces éléments chauffent énormément lorsque l'appareil est en marche. Ils restent chauds pendant un court instant après l'arrêt.</li> </ul>
	<ul style="list-style-type: none"> <li>• <b>LAME TRANCHANTE</b> <b>AVERTISSEMENT :</b> lame tranchante sur le carter de protection de l'accessoire de coupe. Pour éviter toute blessure grave, ne touchez pas la lame du coupe-fil.</li> </ul>

## APPRENEZ À CONNAÎTRE VOTRE APPAREIL

### APPLICATIONS

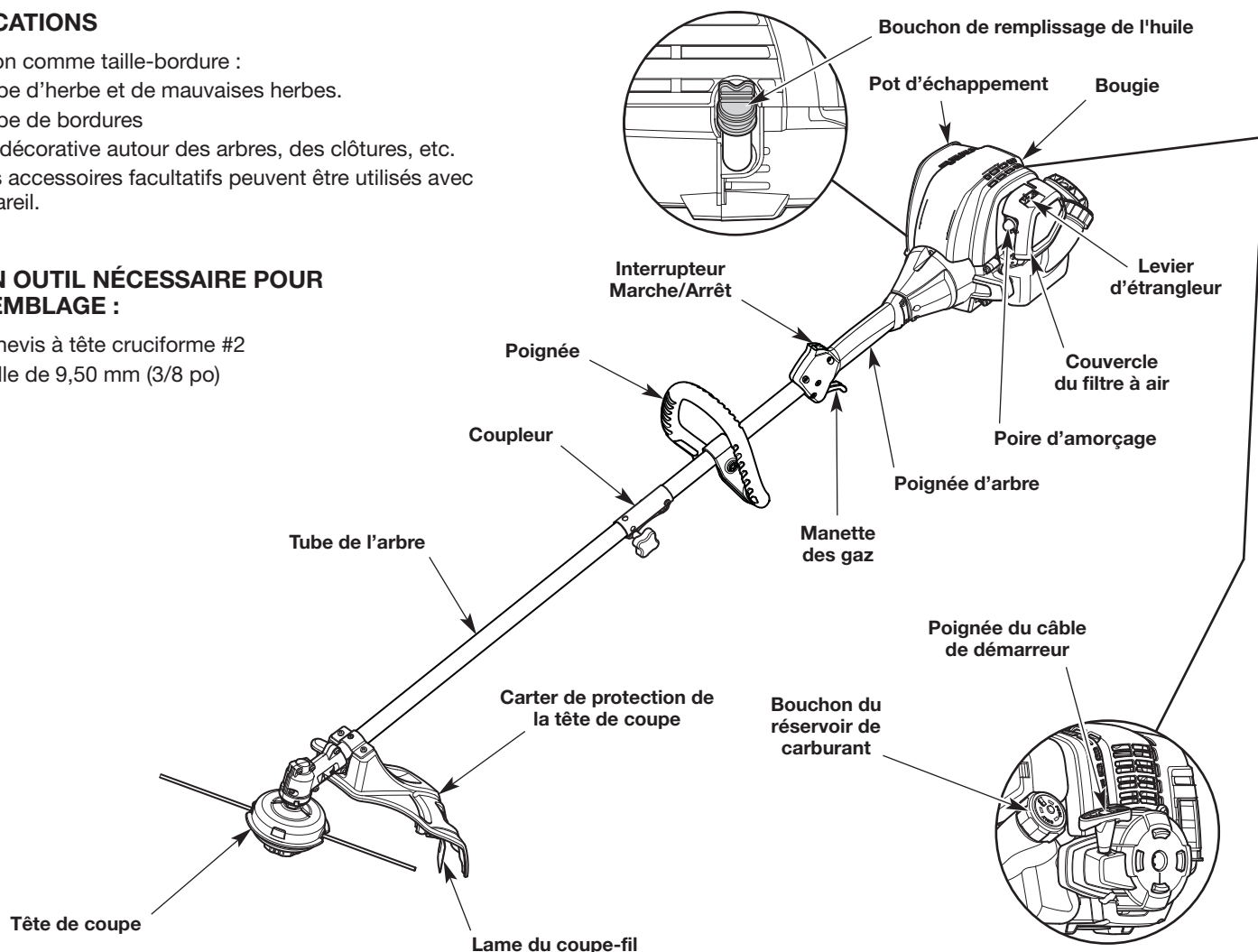
Utilisation comme taille-bordure :

- Coupe d'herbe et de mauvaises herbes.
- Coupe de bordures
- aille décorative autour des arbres, des clôtures, etc.

D'autres accessoires facultatifs peuvent être utilisés avec cet appareil.

### AUCUN OUTIL NÉCESSAIRE POUR L'ASSEMBLAGE :

- Tournevis à tête cruciforme #2
- Douille de 9,50 mm (3/8 po)



## CARACTÉRISTIQUES\*

Type de moteur	Refroidi par air, 4 temps
Cylindrée	25 cc (1,5 po. cube)
Écartement des électrodes	0,635 mm (0,025 po.)
Bougie	Champion® RDZ4H ou équivalent
Lubrification	Huile SAE 30
Capacité d'huile du carter	60 ml (2,03 oz.)
Capacité du réservoir de carburant	355 ml (12 oz.)
Poids approximatif de l'appareil (sans carburant)	6,4 - 6,8 kg (14 - 15 livres)
Mécanisme de coupe	Tête de butée
Diamètre du fil de coupe	2,41 mm (0,095 po.)
Diamètre de la trajectoire de coupe	43,2 cm (17 po.)

\* Toutes les caractéristiques reposent sur les dernières informations disponibles sur le produit au moment de l'impression de ce manuel. Nous nous réservons le droit d'apporter à tout instant des modifications, sans préavis.

## INSTALLATION DU CARTER DE PROTECTION DE LA TÊTE DE COUPE



**AVERTISSEMENT** : pour éviter toute blessure grave, n'utilisez jamais cet appareil quand le carter de protection de la tête de coupe n'est pas en place.

1. Placez le carter de protection de la tête de coupe sur le support de fixation. Alignez les trous présents dans le carter de protection de la tête de coupe avec ceux du support de fixation. (Fig. 1)
2. Serrez manuellement les 2 vis, en les passant à travers le support de fixation et le carter de protection.
3. À l'aide d'un tournevis à tête cruciforme #2, serrez les vis jusqu'à ce que la tête de coupe soit correctement en place. Serrez les vis uniformément. L'espace entre le support de fixation et le carter de protection doit être identique des deux côtés.

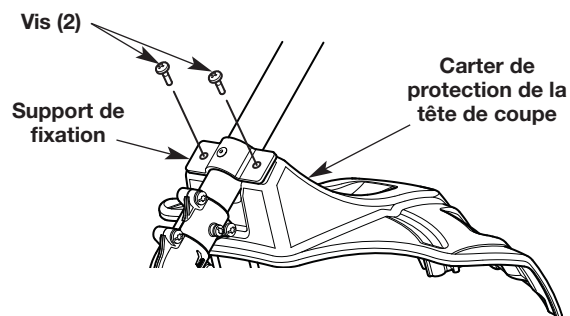


Fig. 1

## INSTALLATION ET RÉGLAGE DE LA POIGNÉE

### Installation de la poignée

1. Poussez la poignée sur le tube de l'arbre (Fig. 2). Le trou dans la poignée destiné au boulon doit être orienté vers la droite.
2. Insérez le boulon dans son trou et poussez-le à travers (Fig. 2). Vissez le boulon avec une douille de 9,50 mm (3/8 po), mais sans le serrer complètement.
3. Tout en tenant l'appareil en position d'utilisation (Fig. 11), déplacez la poignée à la hauteur vous assurant la meilleure prise en main. Placez-la à 15,24 cm (6 po.) au moins de l'extrémité de la poignée d'arbre (Fig. 2).
4. Serrez le boulon avec une douille de 9,50 mm (3/8 po) jusqu'à ce que la poignée soit parfaitement fixée.

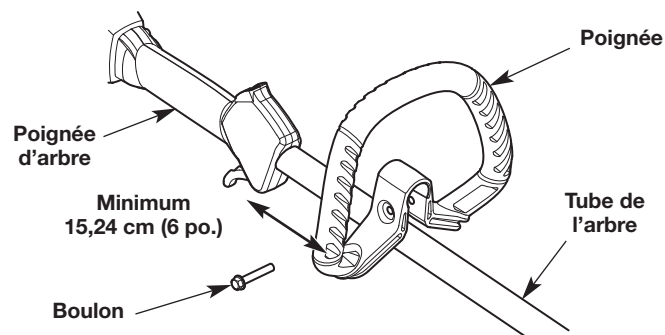


Fig. 2

### Réglage de la poignée

Si la poignée doit être ajustée :

1. Desserrez le boulon avec une douille de 9,50 mm (3/8 po) (Fig. 2).
2. Tout en tenant l'appareil en position d'utilisation (Fig. 11), déplacez la poignée à la hauteur vous assurant la meilleure prise en main. Placez-la à 15,24 cm (6 po.) au moins de l'extrémité de la poignée d'arbre (Fig. 2).
3. Serrez le boulon avec une douille de 9,50 mm (3/8 po) jusqu'à ce que la poignée soit parfaitement fixée.

**AVERTISSEMENT** : Avant d'utiliser un accessoire, lire et comprendre le manuel livré avec l'accessoire. Respectez toutes les consignes de sécurité qu'il contient.

**AVERTISSEMENT** : pour éviter toute blessure grave ou dommage, arrêtez l'appareil avant de démonter ou d'installer un accessoire.

## UTILISATION DU COUPLEUR

Le coupleur permet l'utilisation de différents accessoires en option.

### Installation de l'accessoire

1. Enlevez l'anneau de suspension de l'accessoire. Conservez l'anneau de suspension pour une utilisation lors du rangement de l'accessoire. Le cas échéant, enlevez l'entretoise grise du coupleur.
2. Réglez l'appareil sur une surface plane.
3. Tournez le bouton dans le sens contraire des aiguilles d'une montre pour desserrer le coupleur (Fig. 4).
4. Alignez le bouton de déclenchement avec la rainure de guidage (Fig. 5).
5. Poussez l'accessoire directement dans le coupleur (Fig. 3) jusqu'à ce que le bouton de déverrouillage s'enclenche fermement dans l'orifice principal (Fig. 5).
6. Tournez le bouton dans le sens contraire des aiguilles d'une montre pour serrer le coupleur (Fig. 4).

**REMARQUE** : Pour tailler une bordure décorative avec un accessoire taille-bordures, verrouillez le bouton de déclenchement dans l'orifice à 90° (Fig. 4).

**ATTENTION** : Avant d'utiliser l'appareil, s'assurer que le bouton de déverrouillage est entièrement enclenché dans l'orifice principal et que la poignée est bien serrée.

**ATTENTION** : Sauf indication contraire, le bouton de déclenchement doit être enclenché dans l'orifice principal uniquement. L'utilisation du mauvais orifice pourrait provoquer des blessures graves ou endommager l'appareil.

### Démontage de l'accessoire

1. Réglez l'appareil sur une surface plane.
2. Tournez le bouton dans le sens contraire des aiguilles d'une montre pour desserrer le coupleur (Fig. 4).
3. Appuyez et maintenez enfoncé le bouton de déclenchement (Fig. 5).
4. Retirez l'accessoire du coupleur (Fig. 3).

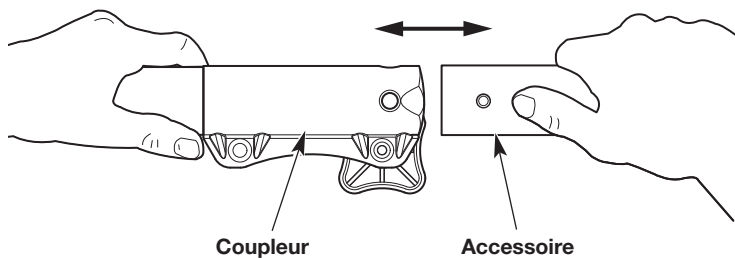


Fig. 3

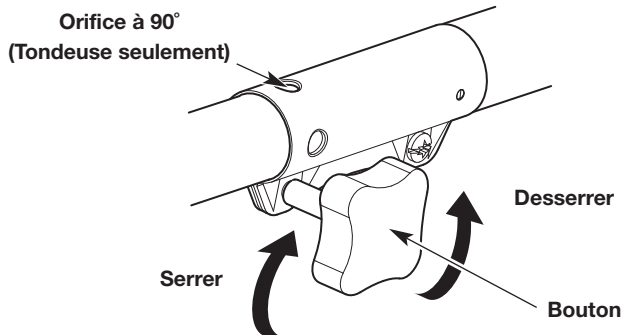


Fig. 4

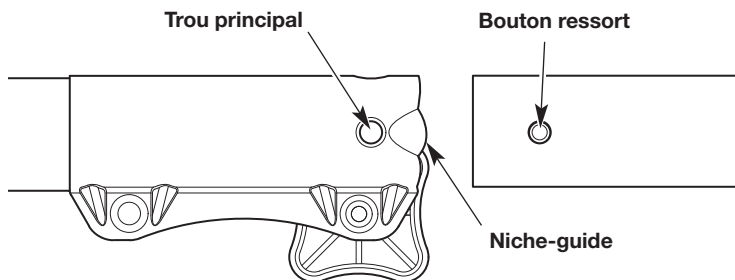


Fig. 5

## UTILISATION DE L'HUILE APPROPRIÉE

Utilisez une huile haute qualité SAE 30. **N'UTILISEZ PAS** d'huile sale. Le fait de ne pas utiliser de l'huile propre de type approprié peut provoquer une usure prématurée du moteur et sa défaillance.

## AJOUT D'HUILE : PREMIÈRE UTILISATION

	<p><b>AVERTISSEMENT : UN REMPLISSAGE EXCESSIF DU CARTER PEUT PROVOQUER DES BLESSURES GRAVES.</b> Vérifiez le niveau d'huile avant chaque utilisation. On ne saurait trop insister sur l'importance de maintenir le niveau huile approprié. Vidangez l'huile en fonction du <i>Calendrier d'entretien</i>.</p>
--	---

**REMARQUE :** Cet appareil a été livré sans huile dans le carter. De l'huile doit être ajoutée avant de démarrer l'appareil.

**REMARQUE :** Cet appareil est livré avec une bouteille d'huile de 60 ml (2,03 oz liq.).

1. Dévissez la partie supérieure de la bouteille d'huile. Retirez le papier. Remettez la partie supérieure de la bouteille d'huile.
2. Enlevez le bouchon de la bouteille d'huile. Coupez la pointe de l'entonnoir (Fig. 6).
3. **Réglez l'appareil sur une surface plane.**
4. Dévissez le bouchon de remplissage d'huile (Fig. 7).
5. Versez le flacon complet dans l'orifice de remplissage d'huile (Fig. 7). **NE PAS** trop remplir. Reportez-vous à *Vérification du niveau d'huile*.

**REMARQUE :** N'ajoutez jamais d'huile directement dans le réservoir de carburant. Cet appareil est doté d'un moteur à quatre temps. **NE MÉLANGEZ PAS** l'huile et l'essence.

6. Essuyez toute huile déversée.
7. Remettez le bouchon de remplissage d'huile

**REMARQUE :** Assurez-vous que le joint torique est en place sur le bouchon de remplissage d'huile (Fig. 7).

**REMARQUE :** Conservez la bouteille d'huile vide. Utilisez-la pour mesurer la quantité adéquate d'huile lors des prochaines vidanges d'huile.

## UTILISATION DU CARBURANT APPROPRIÉ

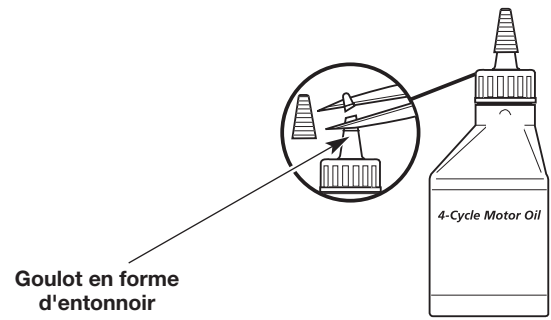
L'utilisation de carburant usagé est la cause la plus courante de problèmes de performances. Utilisez uniquement une essence sans plomb neuve et propre.

**REMARQUE :** Cet appareil est doté d'un moteur à quatre temps. **NE MÉLANGEZ PAS** l'huile et l'essence.

### Définition des carburants mélangés

Les carburants d'aujourd'hui sont souvent un mélange d'essence et de produits oxygénés, comme l'éthanol, le méthanol ou l'éther méthyl-tertiobutylique. Un carburant mélangé à l'alcool absorbe l'eau. Il suffit de 1 % d'eau pour séparer le carburant et l'huile, ce qui formera des acides pendant l'entreposage. Utilisez TOUJOURS un carburant neuf (moins de 30 jours).

**REMARQUE :** jetez le vieux carburant en respectant les réglementations fédérales, étatiques et locales.



Goulot en forme d'entonnoir

Fig. 6

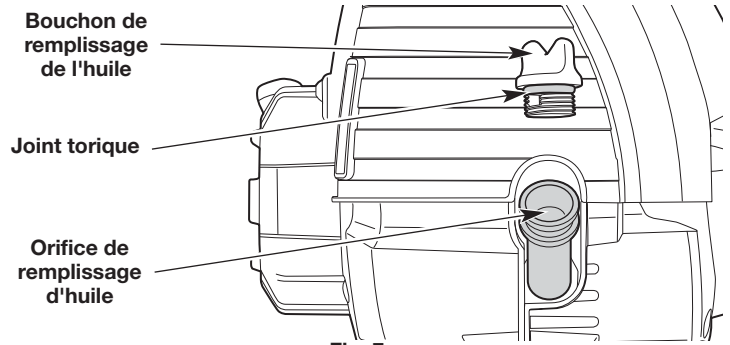


Fig. 7



## Utilisation des carburants mélangés

Si vous utilisez un carburant mélangé :

- Utilisez toujours de l'essence sans plomb fraîche.
- Utilisez l'additif pour carburant STA-BIL® ou un produit équivalent
- Videz le réservoir et faites fonctionner le moteur jusqu'à épuisement du carburant avant de ranger l'appareil



### **AVERTISSEMENT : N'UTILISEZ PAS UN CARBURANT E85 DANS CET APPAREIL.**

Il a été prouvé qu'un carburant contenant plus de 10 % d'éthanol est susceptible d'endommager ce moteur et d'annuler la garantie.

## Utilisation d'additifs pour carburant

Utilisez un additif pour carburant, comme le stabilisateur de carburant STA-BIL, ou un équivalent, pour empêcher la corrosion et minimiser les dépôts gommeux. Ajoutez 23 ml (0,8 oz.) d'additif pour 3,8 litres (1 gallon) de carburant selon les instructions du récipient. N'ajoutez JAMAIS des additifs directement dans le réservoir de l'appareil.

## REPLISSAGE DU RÉSERVOIR



**AVERTISSEMENT** : l'essence est extrêmement inflammable. Des vapeurs enflammées peuvent exploser. Arrêtez toujours le moteur et laissez-le refroidir avant de remplir le réservoir d'essence. Ne fumez pas pendant le remplissage du réservoir. Maintenez toute flamme nue et étincelle loin de la zone.



**AVERTISSEMENT** : dévissez lentement le bouchon du réservoir pour éviter toute blessure due à un jet de carburant. N'utilisez jamais l'appareil quand le bouchon du réservoir de carburant n'est pas correctement vissé.



**AVERTISSEMENT** : ajoutez l'essence dans une zone extérieure propre et bien aérée. Essuyez immédiatement tout carburant déversé. Évitez de créer une source d'inflammation en présence d'un déversement de carburant. Ne démarrez pas le moteur avant que les vapeurs d'essence ne se soient dissipées.

1. Placez l'appareil afin que le bouchon du réservoir soit tourné vers le haut.
2. Dévissez le bouchon du réservoir.
3. Placez le bec verseur du bidon de carburant dans l'orifice de remplissage du réservoir de l'appareil et remplissez ce dernier.

**REMARQUE** : ne remplissez pas le réservoir de manière excessive.

4. Essuyez la totalité du carburant échappé du réservoir.
5. Revissez le bouchon du réservoir.
6. Éloignez l'appareil à 9,1 mètres (30 pieds) au moins du bidon de carburant et du site de ravitaillement avant de démarrer le moteur.

## MISE EN MARCHÉ ET ARRÊT



**AVERTISSEMENT** : utilisez cet appareil uniquement dans une zone extérieure bien aérée. Des émanations de monoxyde de carbone dans un endroit confiné peuvent être mortelles.



**AVERTISSEMENT** : évitez tout démarrage accidentel de l'appareil. Pour éviter toute blessure grave, l'opérateur et l'appareil doivent être tous deux en position stable quand l'opérateur tire sur le câble de démarreur (Fig. 10).

### INSTRUCTIONS DE DÉMARRAGE

1. Vérifiez le niveau d'huile. Reportez-vous à *Vérification du niveau d'huile*.
2. Remplissez le réservoir d'essence. Consultez la section *Remplissage du réservoir*.

**REMARQUE** : il n'est pas nécessaire de démarrer l'appareil. L'interrupteur de marche/arrêt est constamment en position de marche (I) (Fig. 8).

3. Appuyez lentement et relâchez la poire d'amorçage à **10 reprises** (Fig. 9).
4. Déplacez le levier d'étrangleur en **Position 1** (Fig. 9).
5. Accroupissez-vous en position de démarrage (Fig. 10).

**REMARQUE** : **APPUYEZ** et **MAINTENEZ ENFONCÉE** la manette des gaz pendant **TOUTES** les étapes suivantes.

6. Appuyez sur la manette des gaz (Fig. 8) et tirez sur le câble de démarreur d'un mouvement contrôlé et ferme à **5 reprises** (Fig. 10).
7. Continuez d'appuyer sur la manette des gaz. Déplacez le levier d'étrangleur en **Position 2** (Fig. 9).
8. Continuez d'appuyer sur la manette des gaz. Tirez sur le câble de démarreur en un mouvement contrôlé et ferme à **3 ou 5 reprises** pour démarrer le moteur.
9. Continuez d'appuyer sur la manette des gaz. Laissez le moteur chauffer pendant 30 à 60 secondes.
10. Continuez d'appuyer sur la manette des gaz. Déplacez le levier d'étrangleur à la **Position 3** (Fig. 9) et laissez le moteur chauffer pendant 60 secondes supplémentaires. L'appareil peut être utilisé pendant ce laps de temps.

**Si...** le moteur ne démarre pas, reprenez la procédure de démarrage à l'étape 3.

**Si...** le moteur ne démarre pas après plusieurs tentatives, déplacez le levier d'étrangleur à la **Position 3** et appuyez sur la manette des gaz. Tirez sur le câble de démarreur en un mouvement contrôlé et ferme à **3 ou 8 reprises**. Le moteur devrait démarrer. Dans le cas contraire, recommencez la procédure.

**SI L'APPAREIL A FONCTIONNÉ PENDANT 10 À 15 MINUTES ET QUE LE MOTEUR EST CHAUD...** effectuez les étapes 3 à 8 pour redémarrer le moteur. Continuez à appuyer sur la manette de commande. Faites fonctionner l'appareil de **2 à 5 minutes**, ou comme nécessaire. **L'appareil peut être utilisé pendant ce temps**. Ensuite, déplacez le levier d'étrangleur à la **Position 3**.

Si la vitesse du moteur varie en **Position 3**, serrez et maintenez la manette des gaz enfoncée, déplacez le levier de démarrage en **Position 2**, et faites fonctionner l'appareil de **2 à 5 minutes**, ou selon les besoins. **L'appareil peut être utilisé pendant ce temps**. Ensuite, déplacez le levier d'étrangleur à la **Position 3**.

### INSTRUCTIONS D'ARRÊT

1. Relâchez la manette des gaz et laissez le moteur tourner au ralenti.
2. Appuyez sur l'interrupteur de marche/arrêt et maintenez-le enfoncé en position d'arrêt (O) jusqu'à ce que le moteur s'arrête complètement (Fig. 8).

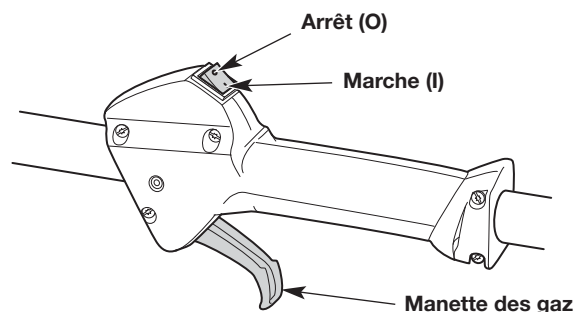


Fig. 8

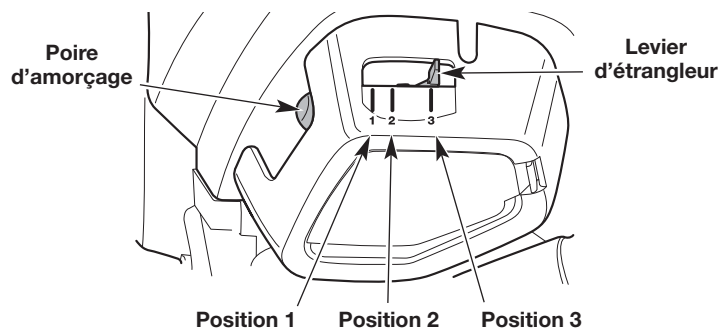


Fig. 9

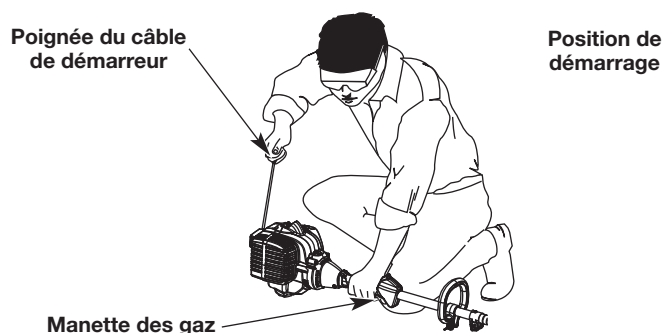


Fig. 10

## TENUE DE L'APPAREIL



**AVERTISSEMENT :** portez toujours une protection pour les yeux, les oreilles, les mains, les pieds et le corps afin de limiter les risques de blessure pendant l'utilisation de cet appareil.

- Placez-vous en position d'utilisation (Fig. 11). Tenez-vous bien droit. Ne vous penchez pas.
- Gardez les pieds écartés et fermement posés sur le sol.
- Tenez la poignée d'arbre avec la main droite. Le bras droit doit rester légèrement plié.
- Tenez la poignée avec la main gauche. Le bras gauche doit rester tendu.
- Tenez l'appareil au niveau de votre taille.
- Placez la tête de coupe à quelques centimètres au-dessus du sol.



Fig. 11

## RÉGLAGE DE LA LONGUEUR DU FIL

Cet appareil est équipé d'une tête de coupe Bump Head. Le fil de coupe peut être libéré de la tête de coupe sans arrêter le moteur. Pour libérer davantage de fil, tapez légèrement le bouton de butée sur le sol (Fig. 12) en faisant fonctionner l'appareil à haut régime. Pour un résultat optimal, tapez le bouton de butée sur un sol nu ou dur. Toute tentative pour libérer du fil dans une herbe haute peut faire caler le moteur.

**REMARQUE :** ne posez pas la tête de coupe sur le sol quand l'appareil est en marche.

Chaque fois que le bouton de butée est enfoncé, environ 38 mm (1,5 po) de fil est relâché.

**REMARQUE :** le fil de coupe doit toujours rester bien tendu. Il devient plus difficile de libérer du fil quand ce dernier raccourcit.

Une lame située dans le carter de protection de la tête de coupe coupera le fil à la longueur correcte si vous libérez une longueur de fil excessive.

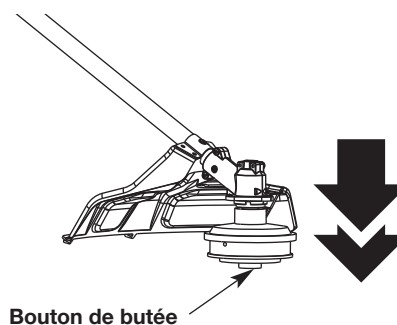


Fig. 12



**ATTENTION :** n'enlevez pas ou ne modifiez pas le coupe-fil. Une longueur excessive de fil entraînera une surchauffe de l'appareil, ce qui pourrait provoquer de graves blessures de l'opérateur ou endommager sérieusement l'appareil.

## CONSEILS POUR UN RÉSULTAT OPTIMAL

- Pour diriger les accumulations à l'écart de l'opérateur, inclinez la tête de coupe légèrement vers la droite et, lorsque cela est possible, coupez de gauche à droite.
- Ne coupez pas de l'herbe ou des mauvaises herbes mouillées.

**REMARQUE :** le fil peut parfois se casser à cause de :

- Une matière étrangère qui s'enroule dans l'appareil
- Une usure normale du fil
- La coupe d'une végétation épaisse
- Le forçage du fil contre des objets comme des murs ou des poteaux de clôture

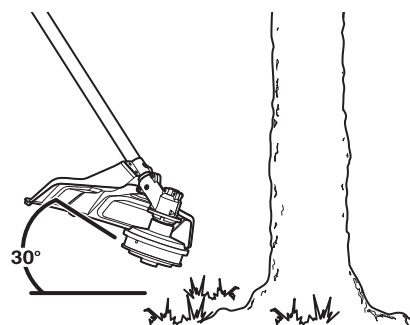


Fig. 13

## COUPE DE BORDURE DÉCORATIVE

Quand vous taillez autour des arbres, des poteaux, des clôtures, etc., faites tourner complètement l'appareil afin que la tête de coupe soit à un angle de 30° par rapport au sol (Fig. 13).



**AVERTISSEMENT :** pour éviter des blessures graves, n'effectuez jamais des travaux d'entretien ou des réparations quand l'appareil est en marche. Laissez toujours l'appareil refroidir avant un entretien ou une réparation. Débranchez le fil de la bougie pour éviter un démarrage accidentel de l'appareil.

## PROGRAMME D'ENTRETIEN

Effectuez ces procédures d'entretien obligatoires aux intervalles indiqués dans le tableau. Ces procédures doivent également faire partie d'une mise au point saisonnière.

**REMARQUE :** certaines procédures d'entretien peuvent nécessiter des compétences ou des outils particuliers. Si vous avez des doutes concernant ces procédures, amenez l'appareil chez un revendeur agréé de MTD.

**REMARQUE :** l'entretien, le remplacement ou la réparation du système et des dispositifs de contrôle des émissions peuvent être réalisés par un revendeur agréé de MTD.

**REMARQUE :** veuillez lire la déclaration de l'État de Californie / EPA (agence de protection de l'environnement) qui est livrée avec l'appareil pour obtenir une liste complète des conditions et de la couverture des dispositifs antipollution, tels que le pare-étincelles, le pot d'échappement, le carburateur, etc.

INTERVALLE	D'ENTRETIEN OBLIGATOIRE
Toutes les 10 heures	<ul style="list-style-type: none"> <li>Nettoyez et graissez le filtre à air. Consultez la section <i>Entretien du filtre à air</i>.</li> </ul>
Après les 10 premières heures et à 38 heures	<ul style="list-style-type: none"> <li>Vidangez l'huile. Reportez-vous à <i>Vidange de l'huile</i>.</li> <li>Faites vérifier le dégagement du culbuteur par un technicien agréé.</li> <li>Vérifiez l'état de la bougie et l'écartement des électrodes. Consultez la section <i>Entretien de la bougie</i>.</li> </ul>

## REMPACEMENT DU FIL DE COUPE

Utilisez uniquement le fil de coupe décrit dans la section *Caractéristiques*. D'autres types de fil de coupe peuvent provoquer la surchauffe de l'appareil ou sa défaillance.



**AVERTISSEMENT :** n'utilisez jamais de fils, de câbles, de chaînes ou de cordons à renfort métallique. Ils peuvent se casser et se transformer en projectiles dangereux.

**REMARQUE :** utilisez toujours une longueur de fil correcte lors de l'installation. Le fil peut ne pas être libéré correctement s'il est trop long.

**REMARQUE :** la bobine extérieure restera fixée à l'appareil.

### Installation d'un nouveau fil de coupe

- Si nécessaire, enlevez l'intégralité de l'ancien fil de coupe ou l'obstruction de la tête de coupe. Reportez-vous à *Retrait de l'ancien fil de coupe ou des obstructions*.
- Coupez 6 m (20 pi) de nouveau fil de coupe.
- Tournez le bouton de butée dans le sens des aiguilles d'une montre pour aligner les flèches (Fig. 14).
- Insérez le nouveau fil de coupe dans l'œillet d'entrée (Fig. 14). Poussez le fil à travers la tête de coupe jusqu'à ce que quelques centimètres dépassent de l'œillet de sortie. Tirez le fil jusqu'à ce que les extrémités soient de longueur égale.

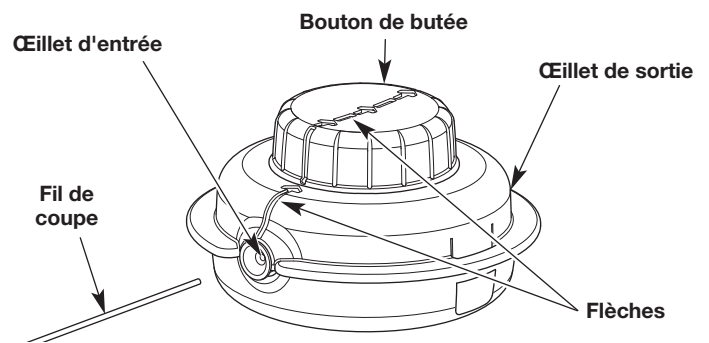


Fig. 14

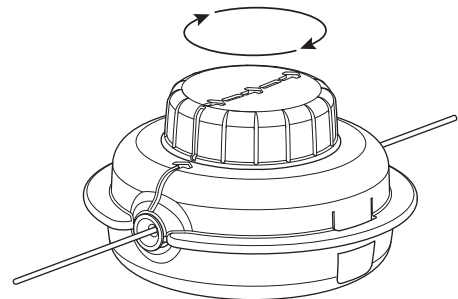


Fig. 15

5. Tournez le bouton de butée dans le sens des aiguilles d'une montre pour enrouler le fil jusqu'à ce qu'environ 12,7 cm (5 po) dépassent de chaque côté de la tête de coupe (Fig. 15). **NE PUSSEZ PAS** le bouton de butée vers le bas lors de l'enroulement du fil.

### Retrait de l'ancien fil de coupe ou des obstructions

Si nécessaire, enlevez l'intégralité de l'ancien fil de coupe ou l'obstruction de la tête de coupe.

1. Appuyez fermement sur les languettes de la tête de coupe (Fig. 16).
2. Enlevez le couvercle de la bobine (Fig. 16).
3. Enlevez l'intégralité de l'ancien fil de coupe ou les obstructions.
4. Utilisez un chiffon propre pour nettoyer le tambour intérieur, la bobine extérieure et le couvercle de la bobine (Fig. 16).
5. Alignez les languettes sur le couvercle de la bobine avec les orifices de la bobine extérieure (Fig. 16). Poussez le couvercle de la bobine sur la bobine extérieure jusqu'à ce que les languettes de sécurité s'enclenchent dans les orifices.

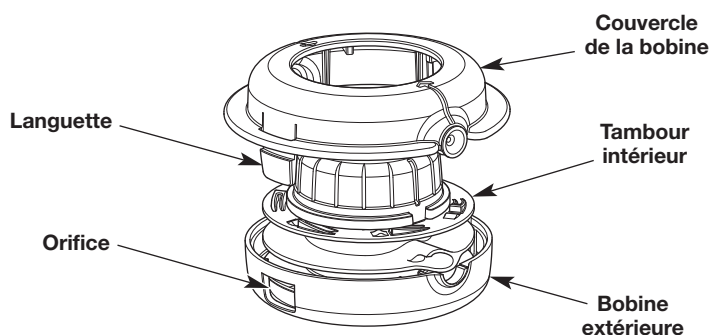


Fig. 16

### VÉRIFICATION DU NIVEAU D'HUILE



**AVERTISSEMENT : UN REMPLISSAGE EXCESSIF DU CARTER PEUT PROVOQUER DES BLESSURES GRAVES.** Vérifiez le niveau d'huile avant chaque utilisation. On ne saurait trop insister sur l'importance de maintenir le niveau huile approprié.

1. Arrêtez le moteur et laissez-le refroidir.
2. **Réglez l'appareil sur une surface plane**, comme un établi ou une table. Le bouclier de la tête de coupe devrait pendre sur le bord, de sorte que le moteur est de niveau (Fig. 17).

**REMARQUE :** Négliger de garder le moteur de niveau peut provoquer le débordement de l'huile.

3. Nettoyez la zone autour du bouchon de remplissage (Fig. 18) pour empêcher des débris d'entrer dans l'orifice de remplissage d'huile.
4. Dévissez le bouchon de remplissage d'huile.
5. Regardez dans l'orifice de remplissage d'huile, utilisez une lampe de poche si nécessaire. **Le niveau d'huile doit à peine toucher le filet inférieur de l'orifice de remplissage d'huile** (Fig. 19). Si le niveau d'huile est trop bas, ajoutez de l'huile dans l'orifice de remplissage d'huile jusqu'à ce que le niveau d'huile entre en contact avec le filet inférieur de l'orifice de remplissage d'huile.

**REMARQUE :** **NE PAS** remplir excessivement le carter.

6. Essuyez toute huile déversée.
7. Remettez le bouchon de remplissage d'huile.

**REMARQUE :** Assurez-vous que le joint torique est en place sur le bouchon de remplissage d'huile (Fig. 18).

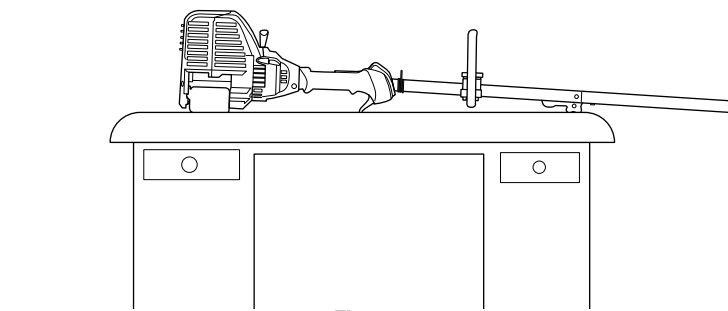


Fig. 17

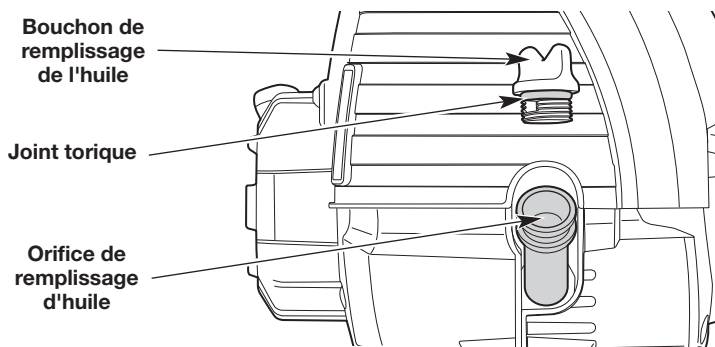


Fig. 18

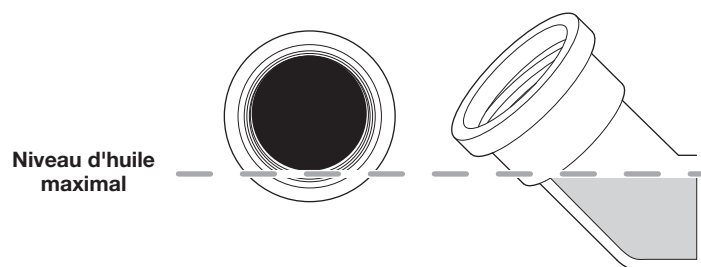


Fig. 19

## VIDANGE DE L'HUILE

Vidangez l'huile lorsque le moteur est encore chaud. L'huile coulera facilement et entraînera plus d'impuretés.

1. Nettoyez la zone autour du bouchon de remplissage (Fig. 18) pour empêcher des débris d'entrer dans l'orifice de remplissage d'huile.
2. Dévissez le bouchon de remplissage d'huile.
3. Faites basculer l'appareil verticalement pour déverser l'huile de l'orifice de remplissage dans un récipient (Fig. 20). Prévoyez suffisamment de temps pour une vidange complète.

**REMARQUE :** Jetez l'huile usagée conformément à la réglementation fédérale, provinciale et locale.

4. Essuyez toute huile déversée.
5. Versez 60 ml (2,03 oz liq.) d'huile SAE 30 dans l'orifice de remplissage.

**REMARQUE :** NE PAS trop remplir. Reportez-vous à *Vérification du niveau d'huile*.

**REMARQUE :** Utilisez la bouteille d'huile vide conservée lors de la première utilisation pour mesurer la quantité adéquate d'huile. Remplissez la bouteille d'huile jusqu'à la ligne de remplissage de 60 ml (2,03 oz liq.) indiquée au dos de la bouteille (Fig. 21).

6. Essuyez toute huile déversée.
7. Remettez le bouchon de remplissage d'huile.

**REMARQUE :** Assurez-vous que le joint torique est en place sur le bouchon de remplissage d'huile (Fig. 18).

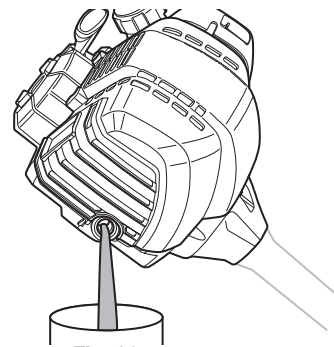
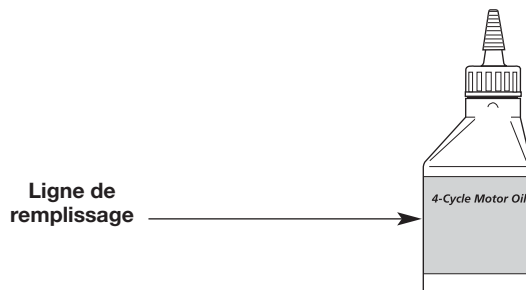


Fig. 20



Ligne de remplissage

Fig. 21

## ENTRETIEN DU FILTRE À AIR



**AVERTISSEMENT :** pour éviter toute blessure grave, arrêtez toujours le moteur et laissez-le refroidir avant de nettoyer ou de procéder à un entretien de l'appareil.

Le non-entretien du filtre à air peut entraîner une mauvaise performance ou des dommages permanents du moteur. Une panne de moteur découlant d'un mauvais entretien du filtre à air n'est pas couverte par la garantie du produit.

### Nettoyage du filtre à air

1. Ouvrez le couvercle du filtre à air : appuyez sur la languette de verrouillage et faites pivoter le couvercle du filtre à air vers la gauche (Fig. 22).
2. Retirez le filtre à air (Fig. 23).
3. Nettoyez le filtre à air avec de l'eau et du détergent. Rincez le filtre soigneusement et laissez-le sécher.
4. Appliquez une légère couche d'huile SAE 30 propre sur le filtre à air.
5. Pressez le filtre à air pour répartir et éliminer l'excès d'huile.
6. Réinstallez le filtre à air (Fig. 23).

**REMARQUE :** toute utilisation de l'appareil en l'absence du filtre à air et de son couvercle ANNULERA la garantie.

7. Fermez le couvercle du filtre à air : insérez les languettes du couvercle du filtre à air dans les fentes de la plaque arrière. Faites pivoter le couvercle du filtre à air vers la droite et appuyez pour le fermer jusqu'à ce que le bouton de verrouillage s'enclenche (Fig. 22).

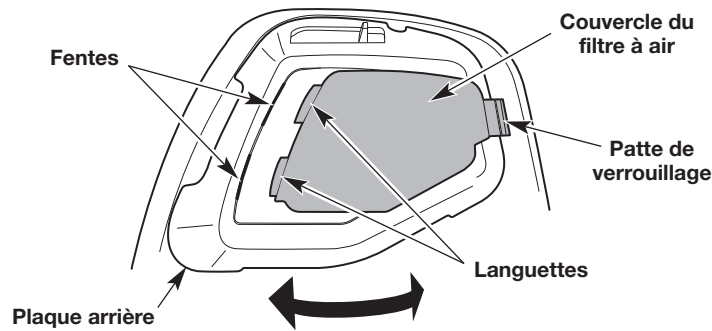


Fig. 22

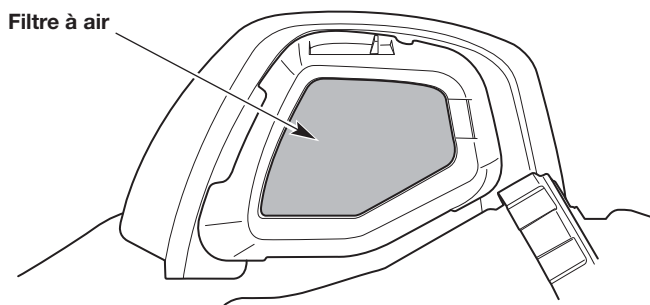


Fig. 23



## RÉGLAGE DU RALENTI



**AVERTISSEMENT** : la tête de coupe peut tourner pendant le réglage du ralenti. Portez des vêtements de protection et respectez toutes les consignes de sécurité pour éviter toute blessure grave.

**REMARQUE** : un réglage négligé peut gravement endommager l'appareil. Un centre de réparations agréé doit effectuer les réglages de carburateur.

Si le moteur ne se met toujours pas au ralenti après une vérification du carburant et un nettoyage du filtre à air, réglez la vis du ralenti comme suit :

1. Démarrez le moteur. Consultez les sections *Mise en marche et Arrêt*.
2. Relâchez la manette des gaz et laissez le moteur tourner au ralenti.
  - Si le moteur s'arrête, insérez un petit tournevis à pointe cruciforme pour tourner la vis du ralenti dans le sens horaire, de 1/8 de tour à la fois (comme nécessaire) jusqu'à ce que le moteur tourne au ralenti (Fig. 24).
  - Si le moteur tourne trop rapidement au ralenti, tournez la vis de ralenti dans le sens antihoraire, d'un 1/8 de tour à la fois (si nécessaire) pour réduire la vitesse de ralenti (Fig. 24).

**REMARQUE** : La tête de coupe ne doit pas tourner lorsque le moteur est au ralenti. Si c'est le cas, réduisez le régime de ralenti jusqu'à ce que la tête de coupe s'arrête.

La vérification du carburant, le nettoyage du filtre à air et le réglage du ralenti devraient résoudre la plupart des problèmes de moteur. Sinon, et si l'une des conditions suivantes est remplie, apportez l'appareil dans un atelier de réparation autorisé :

- le moteur ne se met pas au ralenti
- le moteur hésite ou cale lors d'une accélération
- le moteur perd de sa puissance

## ENTRETIEN DE LA BOUGIE

1. Arrêtez le moteur et laissez-le refroidir.
2. Retirez les trois (3) vis du capot moteur avec un tournevis à tête plate ou un tournevis T-25 Torx (Fig. 25). Retirez le capot moteur.
3. Saisissez fermement le chapeau de la bougie et retirez-le de la bougie.
4. Nettoyez tout autour de la bougie. Retirez la bougie de la culasse avec une douille de 16 mm (5/8 po.), en tournant dans le sens horaire inverse.



**AVERTISSEMENT** : ne sablez pas, ne grattez pas ou ne nettoyez pas les électrodes de la bougie. La présence de grenailles dans le moteur pourrait endommager le cylindre.

5. Inspectez la bougie. Si la bougie est fissurée ou encrassée, remplacez-la par une pièce de **rechange n°753-05784**, une bougie **Champion RDZ4H** ou équivalent.
6. Utilisez une jauge d'épaisseur pour régler l'écartement à **0,635 mm (0,025 po.)** (Fig. 26).
7. Installez la bougie dans la culasse. Serrez la bougie avec une douille de 16 mm (5/8 po.) en tournant dans le sens horaire jusqu'à ce qu'elle soit juste serrée.

**REMARQUE** : si vous utilisez une clé dynamométrique, serrez à :

**12,3-13,5 N•m (110-120 po. •livre). Ne serrez pas de manière excessive.**

8. Refixez le chapeau de la bougie.
9. Réinstallez le capot moteur. Vérifiez l'alignement du capot moteur avant de serrer les vis. Serrez les vis.

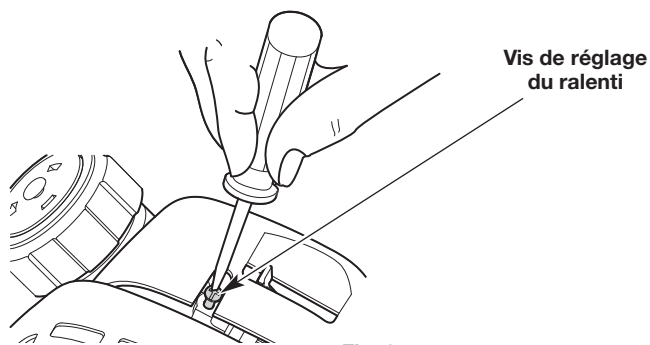


Fig. 24

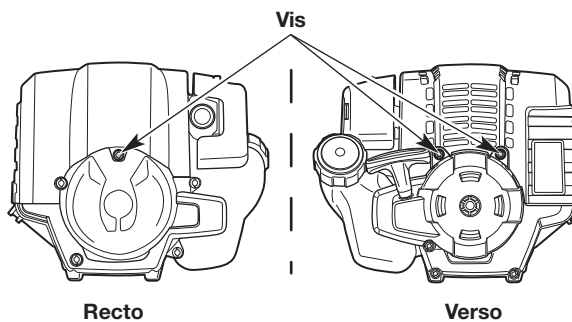


Fig. 25

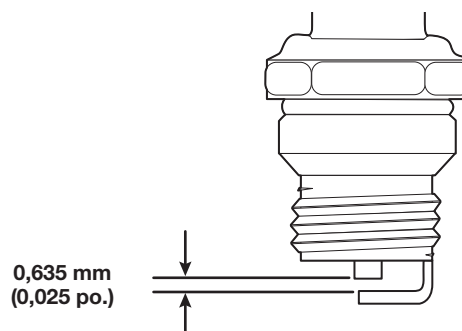


Fig. 26

## NETTOYAGE



**AVERTISSEMENT** : pour éviter toute blessure grave, arrêtez toujours le moteur et laissez-le refroidir avant de nettoyer ou de procéder à un entretien de l'appareil.

Utilisez une petite brosse pour nettoyer la partie externe de l'appareil. N'utilisez pas un détergent fort. Les produits ménagers contenant des huiles aromatiques, comme le pin et le citron, et les solvants comme le kérosène peuvent endommager le plastique. Essuyez toute trace d'humidité avec un chiffon doux.

## ENTREPOSAGE

- Ne rangez jamais l'appareil quand le réservoir contient encore de l'essence dont les vapeurs pourraient entrer en contact avec une flamme nue ou une étincelle.
- Laissez le moteur refroidir avant de ranger l'appareil.
- Rangez l'unité dans un endroit fermé à clé pour éviter toute utilisation non autorisée ou tout dommage.
- Rangez l'unité dans un endroit sec et bien aéré.
- Rangez l'appareil hors de portée des enfants.
- Pour suspendre l'accessoire à un crochet, installez l'anneau de suspension sur l'accessoire. Assurez-vous que le bouton de déclenchement est bien verrouillé dans l'un des orifices sur l'anneau de suspension.

### Entreposage à court terme (1-2 semaines)

1. Rangez l'unité en position horizontale. En cas d'impossibilité, rangez l'appareil à la verticale, le moteur étant au sommet.

### Entreposage de longue durée

1. Retirez le bouchon du réservoir d'essence, basculez l'appareil et vidangez le carburant dans un bidon approprié. Revissez le bouchon du réservoir.
2. Démarrez le moteur et laissez-le tourner jusqu'à ce qu'il cale. Ainsi, le carburateur sera totalement vidé de tout carburant.
3. Laissez le moteur refroidir. Retirez la bougie et versez 5 gouttes d'huile moteur de haute qualité dans le cylindre. Tirez lentement sur le câble de démarreur pour répartir l'huile. Réinstallez la bougie.
4. Nettoyez soigneusement l'appareil et vérifiez la présence de pièces desserrées ou endommagées. Réparez ou remplacez les éléments endommagés, et serrez les vis, les écrous ou les boulons desserrés.

### Préparation de l'appareil après un entreposage de longue durée

1. Retirez la bougie et vidangez la totalité de l'huile présente dans le cylindre.
2. Vidangez l'huile. Reportez-vous à *Vidange de l'huile*.

**REMARQUE** : n'utilisez pas un carburant qui a été entreposé pendant plus de 30 jours. Jetez le vieux carburant en respectant les réglementations fédérales, étatiques et locales.



## DÉPANNAGE

PROBLÈME	SOLUTION
<b>LE MOTEUR NE DÉMARRE PAS</b>	
Le réservoir de carburant est vide	Remplissez le réservoir avec du carburant frais
La poire d'amorçage n'a pas été comprimée suffisamment	Appuyez sur la poire à 10 reprises
Le carburant est vieux (plus de 30 jours)	Vidangez le réservoir de carburant et ajoutez du carburant neuf
La bougie est encrassée	Remplacez la bougie
Le moteur est chaud	Reportez-vous aux instructions <i>SI... LE MOTEUR EST CHAUD</i> de la section <i>Mise en Marche et Arrêt</i>
<b>LE MOTEUR NE SE MET PAS AU RALENTI</b>	
Le filtre à air est sale	Nettoyez ou remplacez le filtre à air
Le carburant est vieux (plus de 30 jours)	Vidangez le réservoir de carburant et ajoutez du carburant neuf
Le ralenti est mal réglé	Réglez le ralenti
<b>LE MOTEUR N'ACCÉLÈRE PAS</b>	
Le carburant est vieux (plus de 30 jours)	Vidangez le réservoir de carburant et ajoutez du carburant neuf
La tête de coupe est engorgée d'herbe	Arrêtez le moteur et nettoyez la tête de coupe
Le filtre à air est sale	Nettoyez ou remplacez le filtre à air
<b>LE MOTEUR MANQUE DE PUISSANCE OU CALE</b>	
Le carburant est vieux (plus de 30 jours)	Vidangez le réservoir de carburant et ajoutez du carburant neuf
Le filtre à air est sale	Nettoyez ou remplacez le filtre à air
La bougie est encrassée	Remplacez la bougie
<b>LA TÊTE DE COUPE NE FAIT PAS AVANCER LE FIL</b>	
La tête de coupe est engorgée d'herbe	Arrêtez le moteur et nettoyez la tête de coupe
La tête de coupe est désalignée	Équipez la tête de coupe d'un fil neuf
Le moulinet est bloqué	Rembobinez le fil
La tête de coupe est sale	Nettoyez le moulinet et la bobine extérieure
Le fil est soudé	Ouvrez la tête de coupe et retirez la partie soudée
Le fil est tordu	Rembobinez le fil
La quantité de fil exposé est insuffisante	Arrêtez l'appareil, appuyez sur le bouton de butée et tirez sur le fil jusqu'à sortir 102 mm (4 po.) de la tête de coupe
<b>LE FIL DE COUPE AVANCE DE MANIÈRE INCONTRÔLÉE</b>	
La tête de coupe est couverte d'huile, d'un nettoyant ou d'un lubrifiant	Nettoyez et séchez soigneusement la tête de coupe

**Si vous avez besoin d'une aide supplémentaire, veuillez contacter un revendeur agréé.**

## GARANTIE LIMITÉE DU FABRICANT POUR :

# Cub Cadet.

La garantie limitée énoncée ci-après est accordée par Cub Cadet LLC (« Cub Cadet ») et s'applique aux produits neufs achetés et utilisés aux États-Unis, ses possessions et territoires.

Cub Cadet garantit ce produit contre tout défaut de pièces et de main d'œuvre pendant une période de trois (3) ans à compter de la date d'achat initiale et s'engage à titre gratuit à réparer ou à remplacer, à sa discrétion, toute pièce présentant un défaut de pièces et de main d'œuvre. Cette garantie limitée s'applique uniquement si le produit a été utilisé et entretenu conformément aux instructions du manuel de l'opérateur livré avec le produit, et qu'il n'a pas fait l'objet d'une utilisation inadéquate, abusive, commerciale ou négligente, d'un accident, d'un entretien inapproprié, d'une modification, d'un acte de vandalisme, d'un vol, d'un incendie, d'une inondation ou d'un dommage découlant d'une catastrophe naturelle ou autre. Tout dommage découlant de l'installation ou de l'utilisation d'une pièce ou d'un accessoire non approuvé par Cub Cadet avec le(s) produit(s) couvert(s) dans le présent manuel annulera la garantie quant aux dommages qui en résulteraient. La présente garantie est limitée à quatre-vingt-dix (90) jours à compter de la date d'achat initiale d'un produit Cub Cadet utilisé à des fins locatives ou commerciales, ou toute utilisation produisant des revenus.

**OBTENTION DU SERVICE DE GARANTIE :** le service de garantie est disponible SUR PRÉSENTATION D'UNE PREUVE D'ACHAT AUPRES DE VOTRE CENTRE DE RÉPARATION LOCAL AGREE. Pour trouver le revendeur le plus proche, visitez notre site Internet sur [www.cubcadet.com](http://www.cubcadet.com) ou [www.cubcadet.ca](http://www.cubcadet.ca), consultez les pages jaunes, téléphonez au **1-877-282-8684** ou **1-800-668-1238** au Canada, ou adressez un courrier à P.O. Box 361131, Cleveland, OH 44136-0019. Aucun produit retourné directement à l'usine ne sera accepté si le service à la clientèle de Cub Cadet n'a pas accordé une autorisation préalable et écrite au client.

### **Cette garantie limitée ne s'applique pas dans les cas suivants :**

- A. Mises au point : bougies, réglages du carburateur, filtres
- B. Éléments d'usure : boutons de butée, bobines extérieures, fil de coupe, moulinets, poulie du démarreur, câbles de démarreur, courroies d'entraînement, chaînes de scie, barres de guidage, couteaux de cultivateur, lames.
- C. Cub Cadet n'accorde aucune garantie pour les produits vendus ou exportés des États-Unis d'Amérique, ses possessions et territoires, à l'exception des produits vendus par le biais du réseau agréé de distribution à l'exportation de Cub Cadet.

Cub Cadet se réserve le droit de modifier ou d'améliorer la conception de ses produits sans pour autant assumer l'obligation de modifier tout produit de fabrication plus ancienne.

**Aucune garantie implicite, y compris toute garantie de qualité marchande ou d'adéquation à un usage particulier, n'est valable après la période applicable de la garantie expresse et écrite ci-dessus concernant les pièces qui sont identifiées. Aucune autre garantie expresse, écrite ou orale, à l'exception de celle mentionnée ci-dessus, accordée par toute personne ou entité, y compris un revendeur ou un distributeur, concernant tout produit ne peut engager Cub Cadet. Pendant la période de garantie, l'unique recours est la réparation ou le remplacement du produit dans les conditions énoncées ci-dessus.** (Certains états n'autorisent pas la limitation de la durée d'une garantie implicite ; de ce fait, les limitations ci-dessus peuvent ne pas vous concerner.)

**Les dispositions énoncées dans la présente garantie constituent le recours unique et exclusif inhérent à la vente. Cub Cadet ne sera pas tenu responsable des pertes ou dommages accessoires ou indirects, y compris sans aucune limite, les dépenses découlant de l'utilisation de services de remplacement ou de substitution pour l'entretien de votre pelouse, du transport ou des dépenses associées, ou de la location permettant le remplacement temporaire d'un produit garanti.** (Certains états n'autorisent pas la limitation de la durée d'une garantie implicite ; de ce fait, les limitations ci-dessus peuvent ne pas vous concerner.)

Aucun recouvrement de quelque nature qu'il soit ne pourra dépasser le prix d'achat du produit vendu. Toute modification des dispositifs de sécurité du produit annulera cette garantie. Vous assumez le risque et la responsabilité résultant d'une perte, d'un dommage ou d'un préjudice que vous et vos biens et /ou que d'autres personnes et leurs biens pourront encourir du fait de l'utilisation normale ou abusive ou de l'incapacité à utiliser ce produit.

Cette garantie limitée ne doit en aucun cas inclure toute personne autre que l'acheteur d'origine, le preneur initial ou la personne à laquelle le produit a été offert.

**Rapport de cette garantie avec les lois de chaque état :** la présente garantie vous confère certains droits juridiques spécifiques, et vous pouvez bénéficier d'autres droits qui varient d'un état à l'autre.

Pour trouver le centre de réparation le plus proche, composez le **1-877-282-8684** aux États-Unis ou le **1-800-668-1238** au Canada.

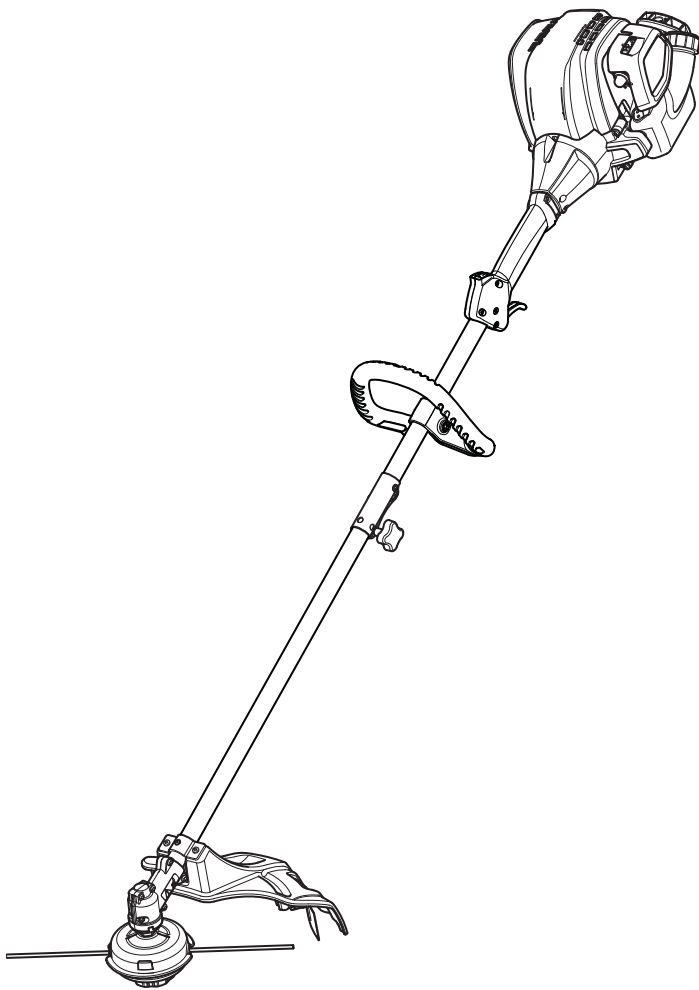
**CUB CADET LLC**

P.O. Box 361131  
Cleveland, OH 44136-0019

# Cub Cadet®

## Manual del Operador

### Recortadora de 4 ciclos SS470



### ÍNDICE

Reparación y mantenimiento	39
Seguridad	40
Conozca su unidad	43
Especificaciones	43
Montaje	44
Aceite y combustible	46
Arranque y detención	48
Funcionamiento	49
Mantenimiento	50
Limpieza y almacenamiento	54
Solución de Problemas	55
Garantía	56

## GUARDE ESTAS INSTRUCCIONES

### REPARACIÓN Y MANTENIMIENTO

**NO DEVUELVA ESTA UNIDAD AL DISTRIBUIDOR. SE EXIGIRÁ COMPROBANTE DE COMPRA PARA LAS REPARACIONES Y EL MANTENIMIENTO QUE CUBRE LA GARANTÍA.**

Por ayuda en relación con el montaje, los controles, el funcionamiento o el mantenimiento de la unidad, llame al Departamento de Asistencia al Cliente al **1-877-282-8684** en los Estados Unidos o al **1-800-668-1238** en Canadá. Se puede encontrar información adicional sobre la unidad en nuestro sitio web: **www.cubcadet.com** (EE. UU.) o **www.cubcadet.ca** (Canadá).

Por reparaciones y mantenimiento, llame al Departamento de Asistencia al Cliente a fin de obtener la lista de distribuidores de servicio autorizados de su zona. La reparación y el mantenimiento de la presente unidad, tanto dentro del período de la garantía como después de él, sólo debe realizarlos un distribuidor de servicio autorizado y aprobado. Cuando le dé servicio use únicamente piezas de reemplazo idénticas.

Toda la información, las ilustraciones y las especificaciones que se incluyen en el presente manual se basan en la información más reciente sobre el producto disponible al momento de la impresión. Nos reservamos el derecho a realizar cambios en cualquier momento sin previo aviso.


Copyright© 2013 MTD SOUTHWEST INC, Todos los derechos reservados.

**IMPORTANTE:** Lea este manual por completo antes de utilizar este producto. Siga todas las instrucciones.

## SEGURIDAD

El objetivo de los símbolos de seguridad es dirigir su atención hacia posibles peligros. Los símbolos de seguridad, así como sus explicaciones, necesitan su atención y comprensión completas. Las advertencias de seguridad no eliminan por sí mismas ningún peligro. Las instrucciones o advertencias que contienen no reemplazan a las medidas adecuadas de prevención de accidentes.

### SÍMBOLOS SIGNIFICADO

 **PELIGRO:** Indica un peligro EXTREMO. Si no se cumple una advertencia de seguridad de **PELIGRO** usted mismo u otras personas sufrirán lesiones graves o la muerte.


 **ADVERTENCIA:** Indica un peligro GRAVE. Si no se cumple una **ADVERTENCIA** de seguridad usted mismo u otras personas **PUEDEN** sufrir lesiones graves.

 **PRECAUCIÓN:** Indica un peligro de GRAVEDAD MODERADA. Si no se cumple una señal de seguridad de **PRECAUCIÓN** usted mismo o a otras personas **PUEDEN** sufrir lesiones o se **PUEDEN** producir daños materiales.

**NOTA:** Proporciona información o instrucciones de vital importancia para el funcionamiento o el mantenimiento del equipo.

### NOTA SOBRE EL AMORTIGUADOR DE CHISPAS

**NOTA: Para usuarios de los territorios de bosques de EE. UU. y de los estados de California, Maine, Oregon y Washington.** Todos los territorios de bosques de EE. UU. y los estados de California (Códigos de Recursos Públicos 4442 y 4443), Oregon y Washington exigen por ley, que determinados motores de combustión interna que se operan en zonas cubiertas por malezas de bosque y/o hierbas cuenten con un amortiguador de chispas que se deberá mantener en condiciones de uso adecuadas o que el motor se diseñe, equipe y mantenga para prevenir incendios. Corrobore con las autoridades estatales o locales cuáles son las normativas correspondientes a dichas exigencias. El incumplimiento de dichos requerimientos podría generarle una responsabilidad o una multa. **La presente unidad se equipa en la fábrica con un amortiguador de chispas.** Si requiere reemplazo, póngase en contacto con su representante local de servicio para instalar el conjunto de silenciador adecuado.

 **PROPOSICIÓN 65 DE CALIFORNIA ADVERTENCIA:** El escape del motor de este producto, algunos de sus componentes y algunos componentes terminados contienen o liberan sustancias químicas que el estado de California considera que pueden producir cáncer, defectos de nacimiento u otros problemas reproductivos. Lávese las manos después de estar en contacto con estos componentes.

**Lea el manual del operador y siga todas las advertencias e instrucciones de seguridad. Si no lo hace, el operador y/o los observadores pueden sufrir lesiones graves.**

## • INSTRUCCIONES DE SEGURIDAD IMPORTANTES •

### LEA TODAS LAS INSTRUCCIONES ANTES DE USAR LA UNIDAD

 **ADVERTENCIA:** Se deben respetar todas las normas de seguridad al usar la unidad. Por favor, lea estas instrucciones antes de utilizar la unidad para garantizar la seguridad del operador y los observadores. Por favor, guarde estas instrucciones para su uso posterior.

- Lea las instrucciones con atención. Debe familiarizarse con los controles y con el uso apropiado de la unidad.
- No opere esta unidad si está cansado, enfermo o bajo la influencia de alcohol, drogas o medicamentos.
- La unidad no debe ser utilizada por niños. Los adolescentes deben contar con la compañía y guía de un adulto.
- Se deben instalar correctamente todos los protectores y accesorios de seguridad antes de operar la unidad.
- Inspeccione la unidad antes de usarla. Reemplace las piezas dañadas. Compruebe si hay pérdidas de combustible. Compruebe que todas las sujeciones estén en su lugar y bien ajustadas. Reemplace las piezas que estén agrietadas, astilladas o dañadas de cualquier manera. No utilice la unidad si hay piezas sueltas o dañadas.
- Use únicamente el hilo de recorte que se describe en la sección *Especificaciones* de este manual. Nunca use un hilo, un cable, una cadena o una cuerda de metal reforzados. Podrían separarse y convertirse en proyectiles peligrosos.
- No cambie el cabezal de corte por cuchillas rígidas o de metal. Si lo hace, podría provocar lesiones graves.
- Tenga en cuenta el riesgo de lesiones en la cabeza, las manos y los pies.
- Inspeccione el área con atención antes de arrancar la unidad. Extraiga las rocas, los vidrios rotos, los clavos, los cables, cordeles y demás objetos que podrían ser arrojados o enredarse en la unidad.
- Despeje la zona de niños, observadores y mascotas; manténgalos fuera de un radio de 50 pies (15 m), como mínimo. Incluso a esa distancia, sigue el riesgo de ser alcanzados por los objetos arrojados por el aire. Sugiera a los observadores que usen protección ocular. Si alguien se le aproxima, detenga la unidad de inmediato.
- Apriete el control del acelerador y verifique que vuelva automáticamente a la posición de ralentí. Realice todos los ajustes o las reparaciones antes de usar la unidad.
- Esta unidad está diseñada para uso ocasional, para el hogar únicamente.

## ADVERTENCIAS DE SEGURIDAD PARA LAS UNIDADES A GASOLINA



**ADVERTENCIA:** La gasolina es sumamente inflamable y sus vapores pueden explotar si se encienden. Adopte las siguientes precauciones:

- Almacene el combustible únicamente en recipientes diseñados específicamente y aprobados para el almacenamiento de dichos materiales.
- Detenga siempre el motor y déjelo enfriar antes de llenar el depósito. Nunca retire la tapa del depósito de combustible ni agregue combustible cuando el motor esté caliente. Afloje siempre lentamente la tapa del depósito de combustible para descargar la presión que haya en el depósito antes de recargar combustible.
- Agregue siempre combustible en una zona al aire libre, limpia y bien ventilada, en la que no haya chispas ni llamas. NO fume.
- Nunca opere la unidad si la tapa del combustible no está bien sujeta en su lugar.
- Evite que se genere una fuente de encendido para el combustible derramado. Limpie de inmediato el combustible derramado de la unidad, antes de encenderla. Mueva la unidad al menos 30 pies (9.1m) de la fuente de combustible y del sitio antes de arrancar el motor. NO fume.
- Nunca arranque ni use la unidad dentro de una habitación o de una construcción cerrada. La inhalación de humos de escape puede ser mortal. Opere esta unidad únicamente en una zona bien ventilada, al aire libre.

### DURANTE LA OPERACIÓN

- Utilice anteojos o antiparras de seguridad que cumplan con las normas ANSI / ISEA Z87.1 vigentes y que tengan la identificación correspondiente. Utilice una protección auditiva al operar esta unidad. Utilice una máscara facial o para polvos si la máquina levanta polvo durante su funcionamiento.
- Use pantalones largos y gruesos, botas, guantes y camisa de mangas largas. No use ropa holgada, alhajas, pantalones cortos, sandalias ni ande descalzo. Sujétese el cabello a nivel de los hombros.
- El protector del cabezal de corte siempre debe estar colocado mientras se opera la unidad. No utilice la unidad si no están extendidos ambos hilos de recorte y si no está instalado el hilo adecuado. No extienda el hilo de recorte más allá de la longitud del protector.
- Esta unidad tiene un embrague. El cabezal de corte permanece fijo cuando el motor está en ralentí. Si no es así, debe llevar la unidad a un distribuidor de servicio calificado para que la ajusten.
- Ajuste la manija para que brinde el mejor agarre, si corresponde.
- Compruebe que el accesorio no esté en contacto con nada antes de poner en marcha la unidad.
- Use la unidad solamente con luz de día o con una buena luz artificial.
- Evite arranques accidentales. Permanezca en la posición de arranque siempre que tire de la cuerda de arranque. El operador y la unidad deben estar en una posición estable durante el arranque. Consulte *Arranque y Parada*.
- Utilice la herramienta apropiada. Use esta herramienta sólo para el propósito para el que fue diseñada.
- Sostenga siempre la unidad con ambas manos durante la operación. Sostenga firmemente ambas manijas o empuñaduras.
- No se extienda demasiado. Siempre debe estar bien afirmado y mantener el equilibrio adecuado. Tenga cuidado al trabajar sobre escalinatas, cuevas empinadas o pendientes. Para evitar lesiones graves, no haga funcionar la unidad desde una escalera de mano o un techo.

- Mantenga las manos, el rostro y los pies alejados de todas las piezas móviles. No toque ni intente detener las piezas móviles.
- No toque el motor, el alojamiento del engranaje ni el silenciador. Estas partes se ponen extremadamente calientes por el funcionamiento, incluso después de que se apaga la unidad.
- No opere la unidad a una velocidad mayor a la necesaria para la tarea. No haga funcionar la unidad a alta velocidad cuando no está en uso.
- No exija demasiado a la unidad. Si se usa a la velocidad para la que fue diseñada, realizará un trabajo más eficiente y seguro.
- Detenga siempre la unidad cuando la operación esté demorada o cuando camine de un lugar a otro.
- Si golpea un objeto extraño o si éste se engancha en la unidad, deténgala de inmediato y controle si se produjeron daños. No utilice la unidad hasta haber reparado el daño. No utilice la unidad si hay piezas sueltas o dañadas.
- Apague el motor y desconecte la bujía para realizar tareas de mantenimiento o reparación.
- Use sólo piezas de reemplazo y accesorios del fabricante del equipo original (OEM) para esta unidad. Los puede adquirir al distribuidor de servicio autorizado. Si usa cualquier otra pieza o accesorio, el usuario podría lesionarse gravemente o la unidad podría dañarse y se anularía la garantía.
- Mantenga limpia la unidad. Quite con cuidado cualquier resto de vegetación u otros residuos que puedan bloquear las piezas móviles.
- A fin de reducir el riesgo de incendio, reemplace el silenciador y el amortiguador de chispas si están averiados. Mantenga el motor y el silenciador libres de hierbas, hojas y de la acumulación excesiva de grasa o de carbono.
- Si la unidad comienza a vibrar en forma anormal, deténgala de inmediato. Inspeccione la unidad para determinar la causa de la vibración. La vibración por lo general indica que hay algún problema.

### OTRAS ADVERTENCIAS DE SEGURIDAD

- Todas las tareas de reparación, con excepción de los procedimientos de mantenimiento que se describen en este manual, deben ser realizados por un distribuidor de servicio autorizado.
- Antes de inspeccionar, limpiar, guardar o transportar la unidad, o de hacer tareas de reparación o mantenimiento o reemplazar alguna de sus piezas:
  1. Detenga la unidad.
  2. Asegúrese de que se hayan detenido todas las piezas móviles.
  3. Deje que la unidad se enfríe.
  4. Desconecte el cable de la bujía.
- Sujete la unidad durante el transporte.
- Nunca almacene la unidad con combustible en el depósito, en el interior de una construcción donde las emanaciones puedan alcanzar una llama abierta (luces piloto, etc.) o chispas (interruptores, motores eléctricos, etc.).
- Almacene la unidad en un lugar seco, asegurada o a una altura que evite que se la use sin autorización o se la dañe. Mantenga la unidad lejos del alcance de los niños.
- Nunca rocíe ni arroje chorros de agua ni de ningún otro líquido a la unidad. Mantenga las manijas secas y limpias (sin residuos, aceite ni grasa). Limpie la unidad luego de cada uso. Consulte *Limpieza y almacenamiento*. No utilice solventes o detergentes fuertes.
- Guarde estas instrucciones. Consúltelas con frecuencia y úselas para capacitar a otros usuarios. Si le presta esta unidad a otras personas, también debe prestarles estas instrucciones.







# GUARDE ESTAS INSTRUCCIONES



• SÍMBOLOS INTERNACIONALES Y DE SEGURIDAD •

Este manual del operador describe símbolos de seguridad e internacionales, así como pictogramas, que pueden aparecer en este producto. Lea el manual del operador para obtener información completa sobre seguridad, montaje, funcionamiento, mantenimiento y reparaciones.

SÍMBOLOS SIGNIFICADO

	<ul style="list-style-type: none"> <li>• <b>SÍMBOLO DE ALERTA DE SEGURIDAD</b> Indica peligro, advertencia o precaución. Puede utilizarse junto con otros símbolos o pictogramas.</li> </ul>
	<ul style="list-style-type: none"> <li>• <b>LEA EL MANUAL DEL OPERADOR</b> <b>ADVERTENCIA:</b> Lea el (los) manual(es) del operador y cumpla todas las advertencias e instrucciones de seguridad. Si no lo hace, el operador y/o los observadores pueden sufrir lesiones graves.</li> </ul>
	<ul style="list-style-type: none"> <li>• <b>UTILICE PROTECCIÓN OCULAR Y AUDITIVA</b> <b>ADVERTENCIA:</b> Los objetos que son arrojados por el aire y los ruidos fuertes pueden provocar graves lesiones oculares y pérdidas de audición. Cuando opere esta unidad, utilice protección ocular que cumpla con las normas ANSI / ISEA Z87.1 vigentes y protectores auditivos. Utilice una máscara que cubra todo el rostro si es necesario.</li> </ul>
	<ul style="list-style-type: none"> <li>• <b>COMBUSTIBLE SIN PLOMO</b> Utilice siempre combustible limpio, nuevo y sin plomo.</li> </ul>
	<ul style="list-style-type: none"> <li>• <b>ACEITE</b> Consulte el manual del operador para conocer el tipo adecuado de aceite.</li> </ul>
	<ul style="list-style-type: none"> <li>• <b>NO UTILICE COMBUSTIBLE E85 EN ESTA UNIDAD</b> <b>ADVERTENCIA:</b> Se ha demostrado que el combustible que contiene más de un 10% de etanol es probable que dañe este motor y anule la garantía.</li> </ul>

SÍMBOLOS SIGNIFICADO

	<ul style="list-style-type: none"> <li>• <b>APAGADO/ENCENDIDO DE CONTROL DE PARADA</b> ENCENDIDO / ARRANQUE / MARCHA</li> </ul>
	<ul style="list-style-type: none"> <li>• <b>APAGADO/ENCENDIDO DE CONTROL DE PARADA</b> APAGADO o PARADA</li> </ul>
	<ul style="list-style-type: none"> <li>• <b>BULBO DEL CEBADOR</b> Presione por completo el bulbo del cebador lentamente 10 veces.</li> </ul>
	<ul style="list-style-type: none"> <li>• <b>CONTROL DEL ESTRANGULADOR</b> <ol style="list-style-type: none"> <li>• Posición FULL (máximo) del estrangulador</li> <li>• Posición PARTIAL (parcial) del estrangulador</li> <li>• Posición RUN (funcionamiento) del estrangulador</li> </ol> </li> </ul>
	<ul style="list-style-type: none"> <li>• <b>LOS OBJETOS QUE SON ARROJADOS POR EL AIRE Y EL CORTADOR GIRATORIO PUEDEN PROVOCAR LESIONES GRAVES</b> <b>ADVERTENCIA:</b> Es posible que se arrojen objetos pequeños por el aire a alta velocidad, lo cual puede provocar lesiones. Manténgase alejado del rotor giratorio.</li> </ul>
	<ul style="list-style-type: none"> <li>• <b>MANTENGA ALEJADOS A LOS OBSERVADORES</b> <b>ADVERTENCIA:</b> Mantenga a todos los observadores, especialmente a los niños y las mascotas, al menos a 50 pies (15 m) de la zona de trabajo.</li> </ul>
	<ul style="list-style-type: none"> <li>• <b>SUPERFICIE CALIENTE</b> <b>ADVERTENCIA:</b> No toque el silenciador o el cilindro cuando estén calientes. Puede quemarse. Estas piezas se calientan extremadamente durante el funcionamiento. Una vez apagadas, continúan calientes durante un período breve.</li> </ul>
	<ul style="list-style-type: none"> <li>• <b>CUCHILLA AFILADA</b> <b>ADVERTENCIA:</b> Hay una cuchilla afilada en el protector del accesorio de recorte. A fin de evitar lesiones graves, no toque la cuchilla de corte del hilo.</li> </ul>

## CONOZCA SU UNIDAD

### APLICACIONES

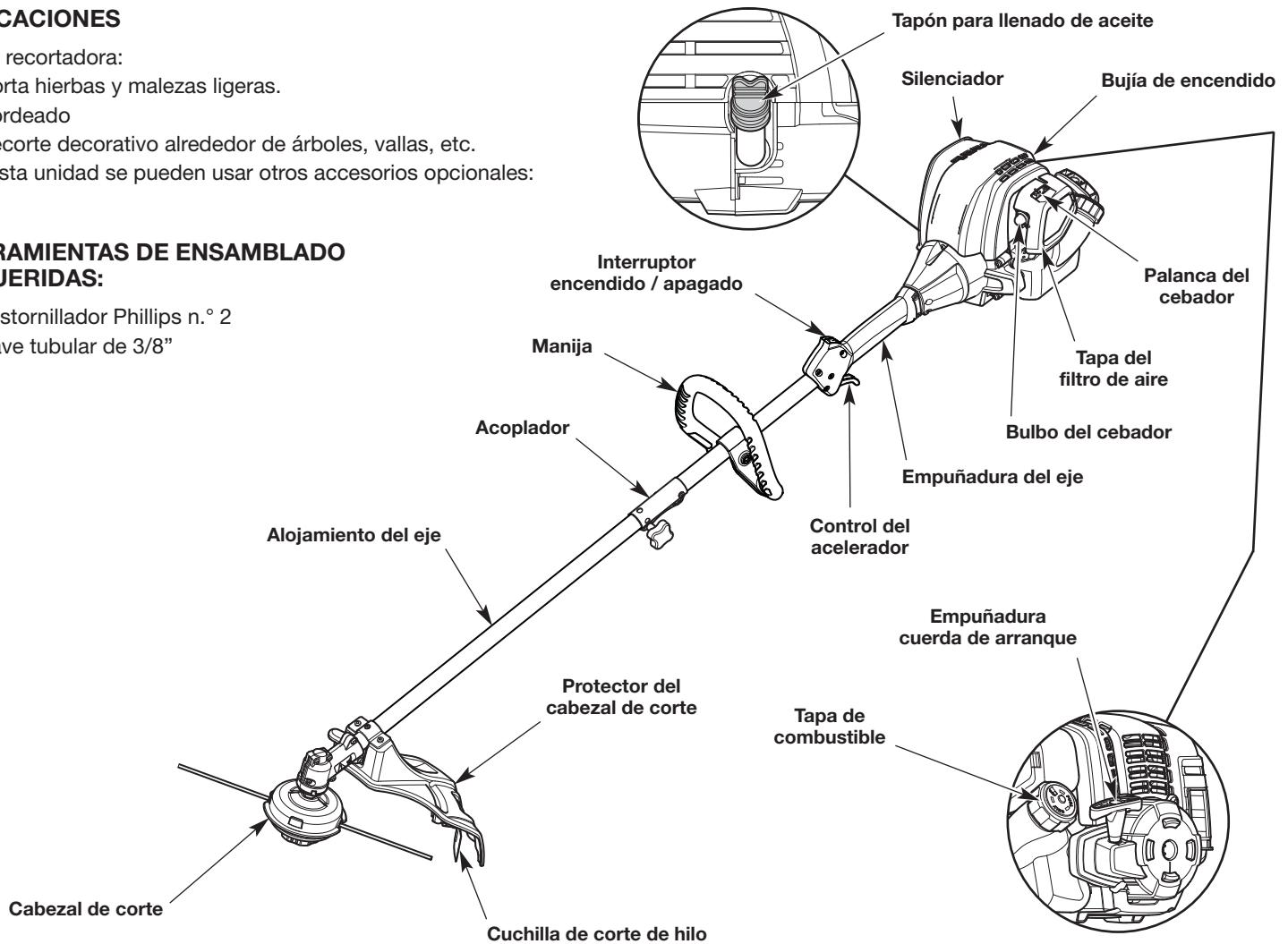
Como recortadora:

- Corta hierbas y malezas ligeras.
- Bordeado
- Recorte decorativo alrededor de árboles, vallas, etc.

Con esta unidad se pueden usar otros accesorios opcionales:

### HERRAMIENTAS DE ENSAMBLADO REQUERIDAS:

- Destornillador Phillips n.º 2
- Llave tubular de 3/8"



## ESPECIFICACIONES\*

Tipo de motor .....	Refrigerado por aire, de 4 ciclos
Desplazamiento .....	25 cc (1.5 pulgadas cúbicas)
Separación de las bujías .....	0.025 pulgadas (0.635 mm)
Bujía de encendido .....	Champion® RDZ4H o bujía equivalente
Lubricación .....	Aceite SAE 30
Capacidad de aceite del cárter .....	2.03 onzas (60 ml)
Capacidad del depósito de combustible .....	12 onzas (355 ml)
Peso aproximado de la unidad (sin combustible) .....	14 - 15 libras (6.4 - 6.8 kg)
Mecanismo de recorte .....	Cabezal de impacto
Diámetro del hilo de recorte .....	0.095 pulgadas (2.41 mm)
Diámetro de la senda de corte .....	17 pulgadas (43.2 cm)

\* Todas las especificaciones están basadas se basan en la información más reciente sobre el producto disponible al momento de la impresión. Nos reservamos el derecho a realizar cambios en cualquier momento sin previo aviso.

## INSTALACIÓN DEL PROTECTOR DEL CABEZAL DE CORTE DE CORTE



**ADVERTENCIA:** A fin de evitar que se produzcan lesiones personales graves, no opere nunca la unidad sin el protector del cabezal de corte en su lugar.

1. Ubique el protector del cabezal de corte sobre el soporte de montaje. Se deben alinear los orificios del protector del cabezal de corte con los orificios del soporte de montaje. (Fig. 1)
2. Enrosque los 2 tornillos a través del soporte de montaje y dentro del protector del cabezal de corte hasta que queden ajustados manualmente.
3. Con un destornillador Phillips n.º 2, ajuste los tornillos hasta que el protector del cabezal de corte quede firmemente en su lugar. Apriete los tornillos de manera uniforme. La separación que hay entre el soporte de montaje y el protector del cabezal de corte debe ser la misma a ambos lados.

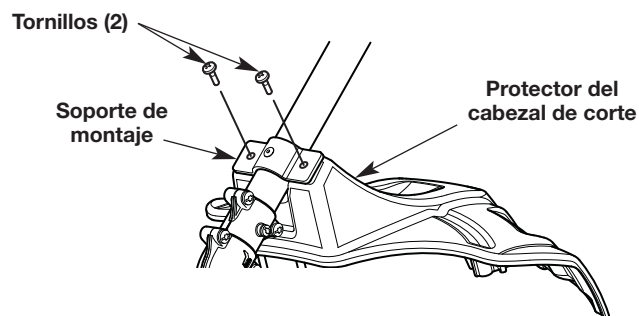


Fig. 1

## INSTALACIÓN Y AJUSTE DE LA MANIJA

### Instalación de la manija

1. Oprima la manija hacia abajo sobre el alojamiento del eje (Fig. 2). El orificio del perno de la manija debe quedar a la derecha.
2. Inserte el perno en el orificio del perno y oprímalo para que pase a través de él (Fig. 2). Apriete el perno con una llave tubular de 3/8" pero no apriete por completo.
3. Mientras sujeta la unidad en la posición de funcionamiento (Fig. 11), desplace la manija hasta la ubicación que le ofrece el mejor agarre. Ubíquela como mínimo a 6 pulgadas (15.24 cm) del extremo de la empuñadura del eje (Fig. 2).
4. Apriete el perno con una llave tubular de 3/8" hasta que la manija esté segura.

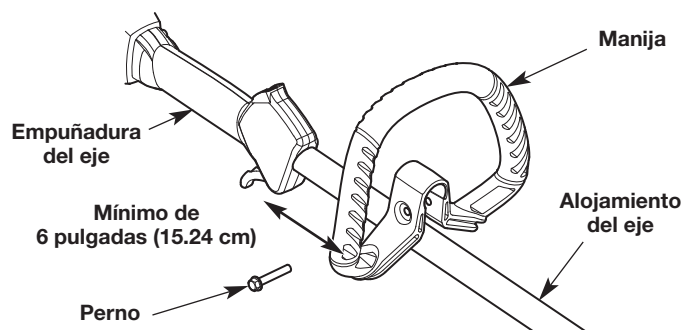


Fig. 2

### Ajuste de la manija

Si la manija requiere ajustes:

1. Afloje el perno con una llave tubular de 3/8" (Fig. 2).
2. Mientras sujeta la unidad en la posición de funcionamiento (Fig. 11), desplace la manija hasta la ubicación que le ofrece el mejor agarre. Ubíquela como mínimo a 6 pulgadas (15.24 cm) del extremo de la empuñadura del eje (Fig. 2).
3. Apriete el perno con una llave tubular de 3/8" hasta que la manija esté segura.



**ADVERTENCIA:** Antes de comenzar a utilizar cualquiera de los accesorios, lea y comprenda el manual que viene con dicho accesorio. Tenga en cuenta toda la información de seguridad que incluye.

**ADVERTENCIA:** A fin de evitar lesiones personales graves y daños a la unidad, apáguela antes de extraer o instalar un accesorio.

## FUNCIONAMIENTO DEL ACOPLADOR

El acoplador permite el uso de varios accesorios opcionales.

### Instalación del accesorio

1. Quite la tapa de suspensión del accesorio. Guarde la tapa de suspensión para utilizarla al almacenar el accesorio. De estar presente, extraiga el espaciador gris del acoplador.
2. Coloque la unidad en una superficie plana y nivelada.
3. Gire la perilla en el sentido contrario a las agujas del reloj para aflojar el acoplador (Fig. 4).
4. Alinee el botón de liberación con el embutimiento de la guía (Fig. 5).
5. Presione el accesorio directamente dentro del acoplador (Fig. 3) hasta que el botón de liberación encaje a presión firmemente del orificio principal (Fig. 5).
6. Gire la perilla en el sentido de las agujas del reloj para apretar el acoplador (Fig. 4).

**NOTA:** Para un reborde decorativo con un accesorio de recorte, trabe el botón de liberación en el orificio de 90° (Fig. 4).

**PRECAUCIÓN:** Antes de utilizar esta unidad, asegúrese de que el botón de liberación entre a presión completamente dentro del orificio principal y que la perilla quede bien ajustada.

**PRECAUCIÓN:** Este botón de liberación debe colocarse a presión solamente en el orificio principal a menos que se especifique lo contrario. Si se utiliza un orificio equivocado, se podrían producir lesiones personales o daños a la unidad.

### Extracción del accesorio

1. Coloque la unidad en una superficie plana y nivelada.
2. Gire la perilla en el sentido contrario a las agujas del reloj para aflojar el acoplador (Fig. 4).
3. Oprima y mantenga apretado el botón de liberación (Fig. 5).
4. Tire del accesorio directamente hacia fuera del acoplador (Fig. 3).

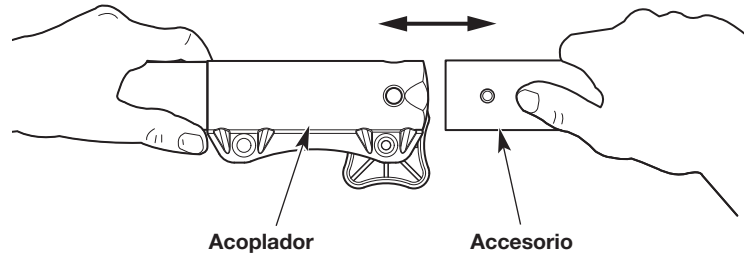


Fig. 3

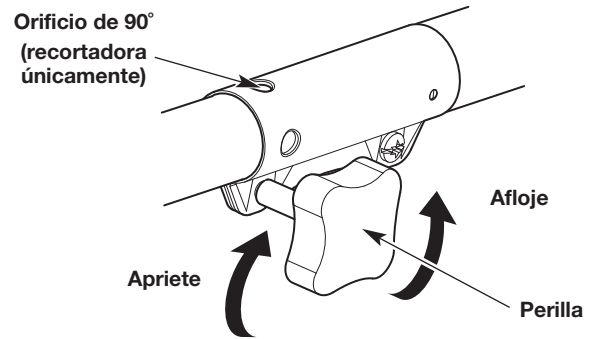


Fig. 4

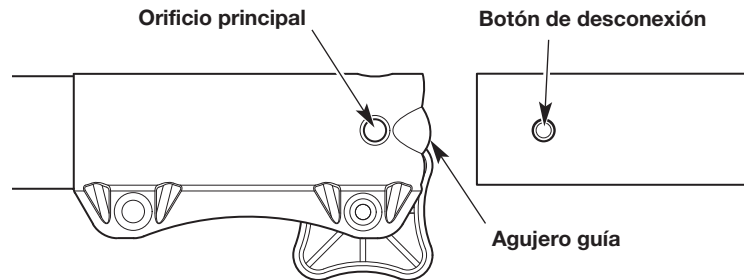


Fig. 5

## USO DEL ACEITE CORRECTO

Use un aceite pesado de alta calidad SAE 30. **NO** utilice aceite sucio. Si no se utiliza aceite limpio del tipo adecuado se puede producir un desgaste y una falla prematura del motor.

## INCORPORACIÓN DE ACEITE: USO INICIAL

	<p><b>ADVERTENCIA:</b> SI SE LLENA EXCESIVAMENTE EL CÁRTER SE PUEDEN PRODUCIR LESIONES PERSONALES GRAVES. Controle el nivel de aceite antes de cada uso. No está de más insistir en la importancia de mantener el nivel de aceite adecuado. Cambie el aceite de acuerdo con el <i>Programa de mantenimiento</i>.</p>
--	--

**NOTA:** Esta unidad se envió sin aceite en el cárter. Se debe agregar aceite antes de arrancar la unidad.

**NOTA:** Esta unidad viene con una botella de aceite de 2.03 onzas líquidas (60 ml).

1. Desenrosque la parte superior de la botella de aceite. Quite el sello de papel. Vuelva a instalar la parte superior de la botella de aceite.
2. Saque la tapa de la botella de aceite. Corte la punta del pico del embudo (Fig. 6).
3. **Coloque la unidad en una superficie plana y nivelada.**
4. Desenrosque el tapón de llenado de aceite (Fig. 7).
5. Vierta todo el contenido de la botella dentro del orificio de llenado de aceite (Fig. 7). **NO** llene el depósito en exceso. Consulte *Control del nivel de aceite*.

**NOTA:** Nunca agregue aceite directamente al depósito de combustible. Esta unidad tiene un motor de cuatro tiempos. **NO** mezcle el aceite con la gasolina.

6. Limpie el aceite que se pueda haber derramado.
7. Vuelva a instalar el tapón de llenado de aceite.

**NOTA:** Compruebe que la junta tórica esté en su lugar en el tapón de llenado de aceite (Fig. 7).

**NOTA:** Guarde la botella de aceite vacía. Utilice la botella para medir la cantidad correcta de aceite en cargas de aceite futuras.

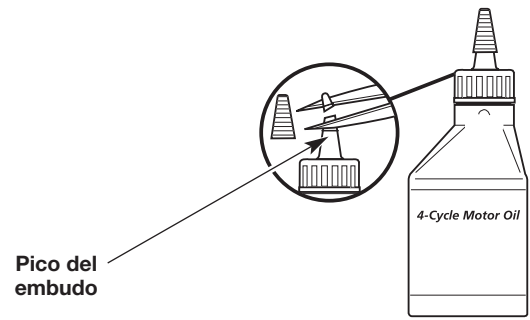


Fig. 6

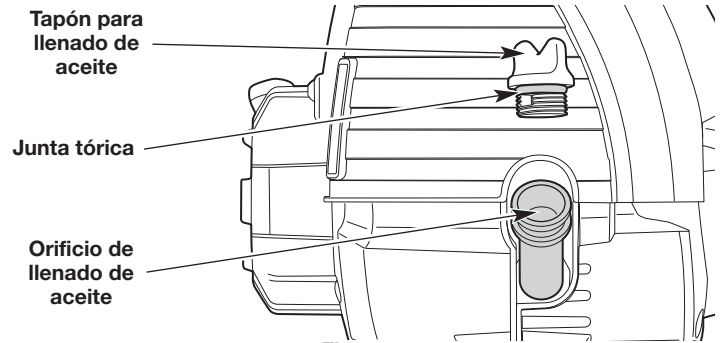


Fig. 7

## USO DEL COMBUSTIBLE CORRECTO

El uso de combustible viejo es la causa más frecuente de los problemas de rendimiento. Sólo se debe utilizar gasolina nueva, limpia y sin plomo.

**NOTA:** Esta unidad tiene un motor de cuatro tiempos. **NO** mezcle el aceite con la gasolina.

### Definición de combustibles mezclados

Actualmente los combustibles con frecuencia son una mezcla de gasolina y oxigenatos como etanol, metanol o éter (éter metílico terciario-butílico, MTBE). Los combustibles con mezcla de alcohol absorben el agua. Con tan solo un 1% de agua en el combustible es posible que el combustible y el aceite se separen, formando ácidos cuando se almacenan. SIEMPRE debe usar combustible nuevo (con menos de 30 días de antigüedad).

**NOTA:** Deseche el combustible usado de acuerdo con las normativas federales, estatales y locales.

## Uso de combustibles mezclados

Si utiliza un combustible mezclado:

- Utilice siempre gasolina nueva sin plomo
- Use el aditivo para combustible STA-BIL® u otro equivalente
- Drene el depósito y ponga en marcha el motor en seco antes de almacenar la unidad



### **ADVERTENCIA: NO UTILICE COMBUSTIBLE E85 EN ESTA UNIDAD.**

Se ha demostrado que el combustible que contiene más de un 10% de etanol es probable que dañe este motor y anule la garantía.

## Uso de aditivos para el combustible

Utilice un aditivo para el combustible, como el estabilizador de combustible STA-BIL u otro equivalente, para inhibir la corrosión y minimizar los depósitos de goma. Agregue 0.8 onzas (23 ml) de aditivo para combustible por galón de combustible según las instrucciones del recipiente. NUNCA agregue aditivos para el combustible directamente al depósito de combustible de la unidad.

## CARGA DE COMBUSTIBLE EN LA UNIDAD



**ADVERTENCIA:** La gasolina es extremadamente inflamable. Los vapores encendidos pueden explotar. Detenga siempre el motor y déjelo enfriar antes de llenar el depósito de combustible. No fume mientras llena el depósito. Mantenga las chispas y llamas abiertas a una distancia de la zona.



**ADVERTENCIA:** Retire la tapa del combustible lentamente a fin de evitar lesiones ocasionadas por salpicaduras de combustible. Nunca opere la unidad si la tapa del combustible no está bien sujeta en su lugar.



**ADVERTENCIA:** Agregue combustible en una zona al aire libre, limpia y bien ventilada. Limpie de inmediato la gasolina que se haya derramado. Evite que se genere una fuente de encendido para el combustible derramado. No arranque el motor hasta que se hayan disipado los vapores del combustible.

1. Ubique la unidad con la tapa del combustible orientada hacia arriba.
2. Extraiga la tapa de combustible.
3. Ubique el pico del recipiente de combustible dentro del orificio de llenado del depósito de combustible y llene el depósito.

**NOTA:** No llene en exceso el depósito de combustible.

4. Limpie el combustible que se pueda haber derramado.
5. Vuelva a colocar la tapa del combustible.
6. Mueva la unidad al menos 30 pies (9.1m) del recipiente de combustible y del sitio de carga de combustible antes de arrancar el motor.

## ARRANQUE Y PARADA



**ADVERTENCIA:** Opere esta unidad únicamente en una zona bien ventilada, al aire libre. Los humos de escape de monóxido de carbono pueden ser mortales en un lugar cerrado.



**ADVERTENCIA:** Se debe evitar arrancar accidentalmente la unidad. A fin de evitar que se produzcan lesiones graves, el operador y la unidad deben estar en una posición estable cuando se jala la cuerda de arranque (Fig. 10).

### INSTRUCCIONES DE ARRANQUE

1. Controle el nivel de aceite. Consulte *Control del nivel de aceite*.
2. Cargue el depósito de combustible. Consulte *Carga de combustible en la unidad*.

**NOTA:** No es necesario encender la unidad. El interruptor de encendido/apagado está en la posición ON (1) (encendido) en todo momento (Fig. 8).

3. Presione y luego suelte el bulbo del cebador lentamente **10 veces** (Fig. 9).
4. Coloque la palanca del estrangulador en la **Posición 1** (Fig. 9).
5. Agacharse en la posición de arranque (Fig. 10).

**NOTA: APRIETE y MANTENGA APRETADO** el control del acelerador para **TODOS** los pasos subsiguientes.

6. Apriete el control del acelerador (Fig. 8) y tire de la cuerda de arranque con un movimiento controlado y firme **5 veces** (Fig. 10).
7. Siga apretando el control del acelerador. Coloque la palanca del estrangulador en la **Posición 2** (Fig. 9).
8. Siga apretando el control del acelerador. Tire de la cuerda de arranque con un movimiento controlado y firme entre **3 y 5 veces** para que arranque el motor.
9. Siga apretando el control del acelerador. Deje que el motor se caliente durante 30 a 60 segundos.
10. Siga apretando el control del acelerador. Pase la palanca del estrangulador a la **Posición 3** (Fig. 9) y siga calentando el motor durante 60 segundos más. Se puede usar la unidad durante este período.

**SI...** el motor no arranca, comience el procedimiento de arranque con el paso 3.

**SI...** el motor no arranca al cabo de unos pocos intentos, pase la palanca del estrangulador a la **Posición 3** y apriete el control del acelerador. Tire de la cuerda de arranque con un movimiento controlado y firme entre **3 y 8 veces**. El motor debe arrancar. Si no lo hace, repita esta instrucción.

**SI LA UNIDAD FUNCIONÓ DURANTE 10-15 MINUTOS Y EL MOTOR ESTÁ CALIENTE...** lleve a cabo los pasos 3-8 para volver a encender el motor. Siga apretando el control del acelerador. Haga funcionar la unidad entre **2 y 5 minutos** o según sea necesario. **Se puede usar la unidad durante este período.** Luego pase la palanca del estrangulador a la **Posición 3**.

Si la velocidad del motor fluctúa en la **Posición 3**, apriete y mantenga apretado el control del acelerador, mueva la palanca del estrangulador a la **Posición 2**, y haga funcionar la unidad durante **2-5 minutos** o según sea necesario. **Se puede usar la unidad durante este período.** Luego pase la palanca del estrangulador a la **Posición 3**.

### INSTRUCCIONES DE DETENCIÓN

1. Suelte el control del acelerador y deje que el motor funcione en ralentí.
2. Oprima y mantenga apretado el interruptor de encendido/apagado en la posición OFF (O) (apagado) hasta que el motor se pare por completo (Fig. 8).

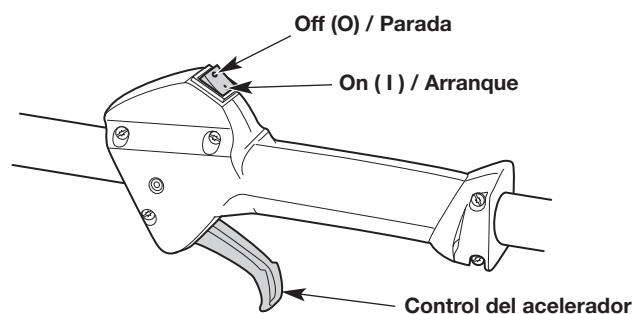


Fig. 8

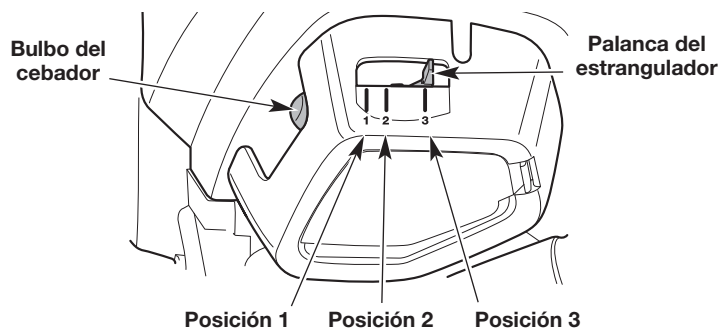


Fig. 9

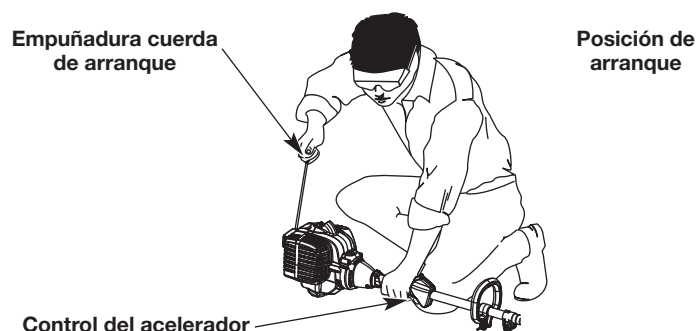


Fig. 10

## CÓMO SOSTENER LA UNIDAD



**ADVERTENCIA:** Utilice siempre protección ocular, auditiva, de manos, pies y corporal para reducir el riesgo de sufrir lesiones durante la operación de esta unidad.

- Párese en la posición de arranque (Fig. 11). Párese derecho. No se incline sobre el aparato.
- Mantenga los pies alejados y apoyados firmemente sobre el suelo.
- Sujete la empuñadura del eje con la mano derecha. Mantenga el brazo derecho ligeramente doblado.
- Sostenga la manija con la mano izquierda. Mantenga el brazo izquierdo bien derecho.
- Mantenga la unidad al nivel de la cintura.
- Coloque el cabezal de corte a algunas pulgadas del suelo.



Fig. 11

## AJUSTE DE LA LONGITUD DEL HILO DE RECORTE

Esta unidad cuenta con un cabezal de impacto. Se puede soltar el hilo de recorte del cabezal de corte sin parar el motor.

Para soltar más hilo, golpee suavemente la perilla de impacto contra el suelo (Fig. 12) mientras utiliza la unidad a alta velocidad. Para obtener los mejores resultados, golpee la perilla de impacto contra suelo descubierto o duro. Si se intenta soltar hilo en un lugar donde el césped está alto, se puede parar el motor.

**NOTA:** No apoye el cabezal de corte en el suelo mientras la unidad está en marcha.

Cada vez que se golpea la perilla de impacto, se suelta aproximadamente 1.5 pulgada (38 mm) de hilo de recorte.

**NOTA:** Siempre debe mantener el hilo de recorte completamente extendido.

Resulta más difícil soltar hilo cuando se acorta el hilo de corte. La cuchilla del protector del cabezal de corte corta el hilo a la longitud correcta si se suelta hilo excesivamente.



**PRECAUCIÓN:** No extraiga ni modifique el conjunto de la cuchilla de corte del hilo. Si la longitud del hilo es excesiva, se sobrecalentará la unidad. Esto puede provocar lesiones personales graves o daños a la unidad.

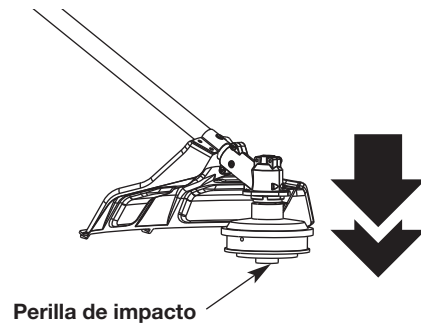


Fig. 12

## CONSEJOS PARA OBTENER LOS MEJORES RESULTADOS

- Para alejar los recortes del operador, incline levemente el cabezal de corte hacia abajo a la derecha, corte de izquierda a derecha siempre que sea posible.
- No recorte césped o malezas que estén húmedos.

**NOTA:** El hilo puede romperse:

- Si se enreda con objetos extraños
- Por la fatiga normal del hilo
- Si se intenta cortar plantas gruesas
- Si se empuja el hilo contra objetos como paredes o cercas

## RECORTE DECORATIVO

Cuando recorte alrededor de árboles, postes, vallas, etc., rote toda la unidad de manera que el cabezal de corte quede en un ángulo de 30° en relación con el suelo (Fig. 13).

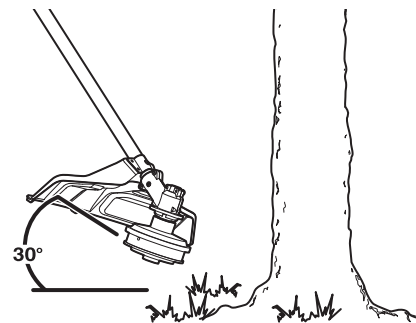


Fig. 13



**ADVERTENCIA:** Para evitar lesiones graves, nunca realice el mantenimiento ni las reparaciones con la unidad en funcionamiento. Siempre deje que se enfríe la unidad antes de hacer el mantenimiento o las reparaciones de la unidad. Desconecte el cable de la bujía para evitar que la unidad arranque accidentalmente.

## PROGRAMA DE MANTENIMIENTO

Realice estos procedimientos de mantenimiento requeridos con la frecuencia establecida en la tabla. Estos procedimientos también deben realizarse como parte de la afinación estacional.

**NOTA:** Algunos procedimientos de mantenimiento pueden requerir herramientas o habilidades especiales. Si no está seguro acerca de estos procedimientos, lleve la unidad a un distribuidor de servicio autorizado de MTD.

**NOTA:** Los trabajos de mantenimiento, reemplazo o reparación de los dispositivos y los sistemas de control de emisiones puede realizarlos un distribuidor de servicio autorizado de MTD.

**NOTA:** Lea la declaración de California/EPA que recibió con la unidad para obtener un listado completo de las condiciones y la cobertura para los dispositivos de control de emisiones, tales como los amortiguadores de chispas, el silenciador, el carburador, etc.

FRECUENCIA	MANTENIMIENTO REQUERIDA
Cada 10 horas	<ul style="list-style-type: none"> <li>• Limpie y vuelva a lubricar el filtro de aire. Consulte <i>Mantenimiento del filtro de aire</i>.</li> </ul>
Después de las primeras 10 horas y a las 38 horas	<ul style="list-style-type: none"> <li>• Cambie el aceite. Consulte <i>Cambio de aceite</i>.</li> <li>• Solicite a un distribuidor de servicio que controle la holgura del balancín.</li> <li>• Controle el estado y la separación de la bujía de encendido. Consulte <i>Mantenimiento de la bujía de encendido</i>.</li> </ul>

## REEMPLAZO DEL HILO DE RECORTE

Use únicamente el hilo de recorte que se describe en la sección *Especificaciones*. Otros tipos de hilo de recorte pueden causar el recalentamiento o la falla de la unidad.



**ADVERTENCIA:** Nunca use un hilo, un cable, una cadena o una cuerda de metal reforzados. Podrían separarse y convertirse en proyectiles peligrosos.

**NOTA:** Utilice siempre la longitud de hilo correcta al instalar el hilo de recorte. Es posible que el hilo no se suelte adecuadamente si está demasiado largo.

**NOTA:** La bobina exterior permanecerá conectada a la unidad.

### Instalación del hilo de recorte nuevo

1. Si es necesario, extraiga el hilo de recorte viejo y/o las obstrucciones del cabezal de corte. Consulte *Extracción de hilo de recorte viejo y/u obstrucciones*.
2. Corte una longitud de 20 pies (6 m) de hilo de recorte nuevo.
3. Gire la perilla de impacto en el sentido de las agujas del reloj para alinear las flechas (Fig. 14).
4. Inserte el nuevo hilo de recorte en el ojal de entrada (Fig. 14). Oprima el hilo a través del cabezal de corte hasta que sobresalgan unas pulgadas por el ojal de salida. Tire del hilo hasta que los extremos tengan la misma longitud.

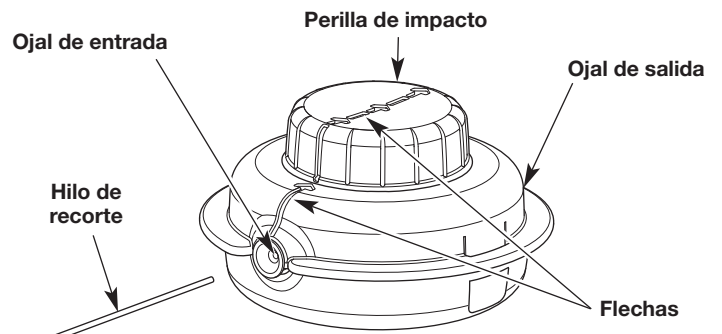


Fig. 14

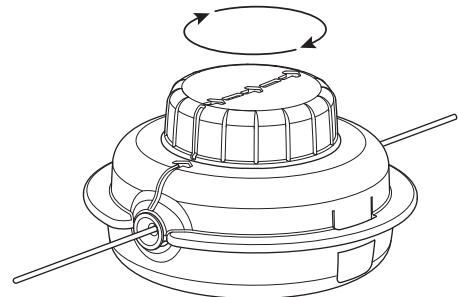


Fig. 15



5. Gire la perilla de impacto en el sentido de las agujas del reloj para enrollar el hilo hasta que sobresalgan aproximadamente 5 pulgadas (12.7 cm) por cada lado del cabezal de corte (Fig. 15). **NO** oprima la perilla de impacto mientras se enrolla el hilo.

### Extracción de hilo de recorte viejo y obstrucciones

Si es necesario, extraiga el hilo de recorte viejo y/o las obstrucciones del cabezal de corte.

1. Oprima firmemente las lengüetas del cabezal de corte (Fig. 16).
2. Retire la cubierta de la bobina (Fig. 16).
3. Extraiga el hilo de recorte viejo y/o las obstrucciones.
4. Utilice una tela limpia para limpiar el carrete interior, la bobina exterior y la cubierta de la bobina (Fig. 16).
5. Se deben alinear las lengüetas de la cubierta de la bobina con los orificios de la bobina exterior (Fig. 16). Oprima la cubierta de la bobina sobre la bobina exterior hasta que las lengüetas entren a presión firmemente en los orificios.

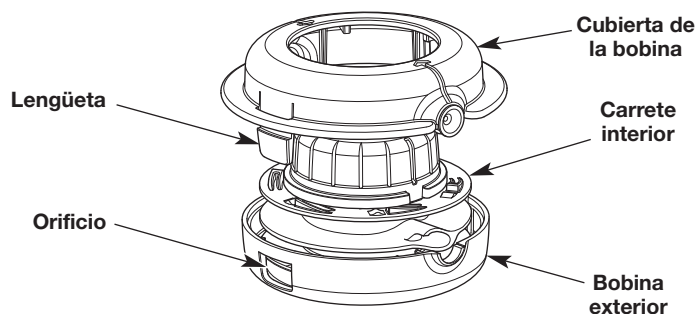


Fig. 16

### CONTROL DEL NIVEL DE ACEITE



**ADVERTENCIA:** SI SE LLENA EXCESIVAMENTE EL CÁRTER SE PUEDEN PRODUCIR LESIONES PERSONALES GRAVES. Controle el nivel de aceite antes de cada uso. No está de más insistir en la importancia de mantener el nivel de aceite adecuado.

1. Detenga el motor y deje que se enfríe.
2. **Ubique la unidad sobre una superficie plana y nivelada**, como un banco de trabajo o una mesa. El protector del cabezal de corte debe quedar colgando del borde de manera que el motor quede nivelado (Fig. 17).

**NOTA:** Si no se mantiene nivelado el motor se puede cargar aceite en exceso.

3. Limpie la zona que rodea el tapón de llenado de aceite (Fig. 18) a fin de evitar que ingresen residuos en el orificio de carga de aceite.
4. Desenrosque el tapón de llenado de aceite.
5. Observe el interior del orificio de llenado de aceite; use una linterna si es necesario. **El nivel de aceite sólo debe tocar la rosca inferior del orificio de llenado de aceite** (Fig. 19). Si el nivel de aceite es demasiado bajo, agregue aceite al orificio de llenado de aceite hasta que el nivel de aceite toque la rosca inferior del orificio de llenado de aceite.

**NOTA:** **NO** llene en exceso el cárter.

6. Limpie el aceite que se pueda haber derramado.
7. Vuelva a instalar el tapón de llenado de aceite.

**NOTA:** Compruebe que la junta tórica esté en su lugar en el tapón de llenado de aceite (Fig. 18).

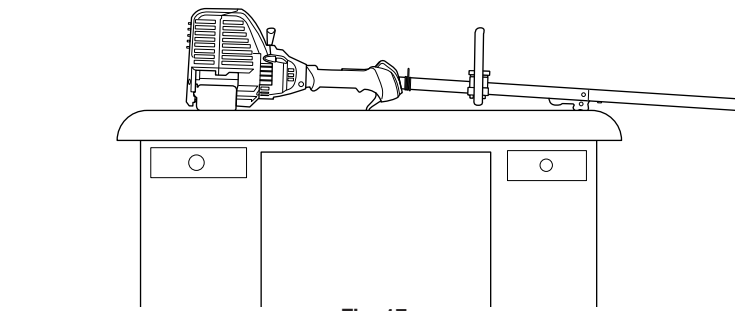


Fig. 17

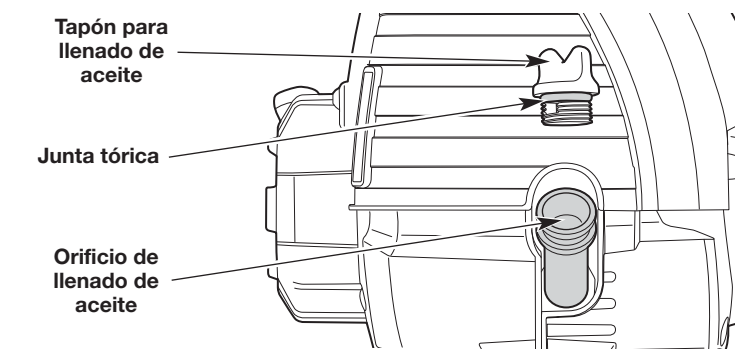


Fig. 18

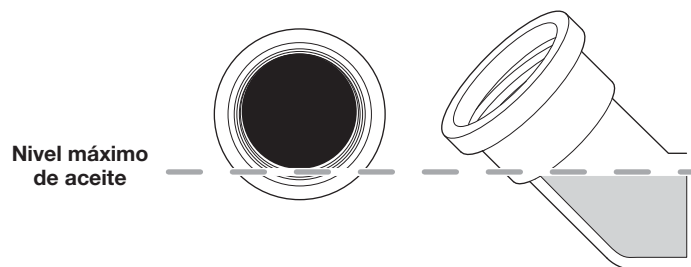


Fig. 19



## CAMBIO DE ACEITE

Cambie el aceite mientras el motor aún está caliente. El aceite fluirá libremente y arrastrará más impurezas.

1. Limpie la zona que rodea el tapón de llenado de aceite (Fig. 18) a fin de evitar que ingresen residuos en el orificio de carga de aceite.
2. Desenrosque el tapón de llenado de aceite.
3. Incline la unidad verticalmente para verter el aceite fuera del orificio de llenado de aceite y al interior del recipiente (Fig. 20). Deje bastante tiempo para que se drene completamente.

**NOTA:** Deseche el aceite viejo de acuerdo con las normativas federales, estatales y locales.

4. Limpie el aceite que se pueda haber derramado.
5. Vierta 2.03 onzas líquidas (60 ml) de aceite SAE 30 dentro del orificio de llenado de aceite.

**NOTA:** **NO** llene el depósito en exceso. Consulte Control del nivel de aceite.

**NOTA:** Use la botella de aceite vacía que guardó después del uso inicial a fin de medir la cantidad correcta de aceite. Llene la botella de aceite hasta la línea de llenado de 2.03 onzas líquidas (60 ml) que aparece indicada en la parte posterior de la botella (Fig. 21).

6. Limpie el aceite que se pueda haber derramado.
7. Vuelva a instalar el tapón de llenado de aceite.

**NOTA:** Compruebe que la junta tórica esté en su lugar en el tapón de llenado de aceite (Fig. 18).

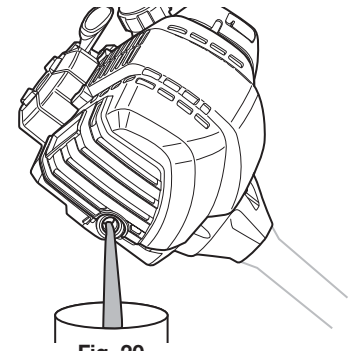


Fig. 20

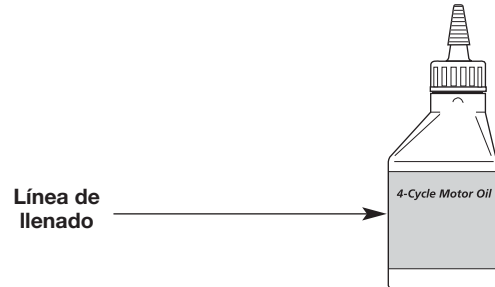


Fig. 21

## MANTENIMIENTO DEL FILTRO DE AIRE

**ADVERTENCIA:** A fin de evitar lesiones personales graves, siempre pare el motor y deje que se enfríe antes de limpiar o mantener la unidad.

Si no se mantiene el filtro de aire se puede obtener un rendimiento insuficiente o se puede dañar el motor de manera permanente. Las averías del motor ocasionadas por un mantenimiento inadecuado del filtro de aire no están cubiertas por la garantía del producto.

### Limpieza del filtro de aire

1. Abra la cubierta del filtro de aire: oprima la lengüeta de fijación y gire la cubierta del filtro de aire hacia la izquierda (Fig. 22).
2. Extraiga el filtro de aire (Fig. 23).
3. Lave el filtro de aire con agua y detergente. Enjuague minuciosamente el filtro de aire y déjelo secar.
4. Cubra el filtro de aire con una capa ligera de aceite SAE 30 limpio.
5. Apriete el filtro de aire para distribuir y eliminar el exceso de aceite.
6. Vuelva a instalar el filtro de aire (Fig. 23).

**NOTA:** Si se opera la unidad sin el filtro de aire y sin la cubierta del filtro de aire se ANULARÁ la garantía.

7. Cierre la cubierta del filtro de aire: inserte las lengüetas de la cubierta del filtro de aire en las ranuras de la placa posterior. Gire la cubierta del filtro de aire hacia la derecha y oprímala para cerrarla hasta que la lengüeta de fijación calza a presión en su lugar (Fig. 22).

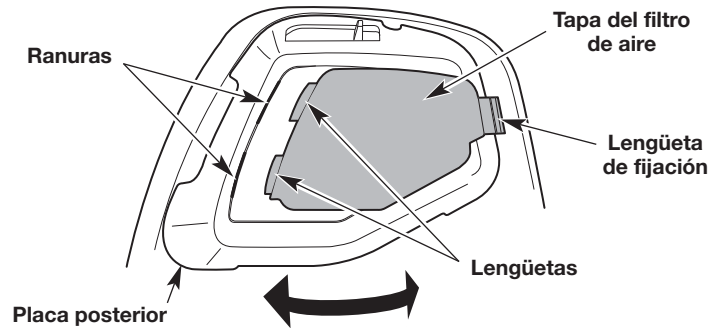


Fig. 22

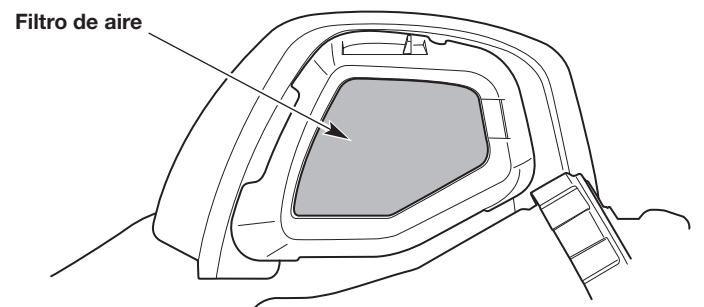


Fig. 23

## AJUSTE DE LA VELOCIDAD DE RALENTÍ



**ADVERTENCIA:** El cabezal de corte puede girar durante los ajustes de la velocidad de ralentí. Utilice vestimenta de protección y respete todas las instrucciones de seguridad para evitar que se produzcan lesiones personales graves.

**NOTA:** Los ajustes que se realizan de manera descuidada pueden dañar gravemente la unidad. Los ajustes del carburador debe realizarlos un distribuidor de servicio autorizado.

Si, después de controlar el combustible y limpiar el filtro de aire, el motor sigue sin funcionar al ralentí, ajuste el tornillo de velocidad de ralentí de la siguiente manera:

1. Arranque el motor. Consulte *Arranque y Parada*
2. Suelte el control del acelerador y deje que el motor funcione en ralentí.
  - Si el motor se para, use un destornillador Phillips pequeño para girar el tornillo de velocidad de ralentí en el sentido de las agujas del reloj, 1/8 de giro cada vez (según sea necesario) hasta que el motor funciona al ralentí de manera uniforme (Fig. 24).
  - Si el motor funciona al ralentí demasiado rápido, gire el tornillo de velocidad de ralentí en el sentido contrario de las agujas del reloj, 1/8 de giro a la vez (según sea necesario) para reducir la velocidad de ralentí (Fig. 24).

**NOTA:** El cabezal de corte no debe girar cuando el motor funciona al ralentí. Si lo hace, reduzca la velocidad de ralentí hasta que el cabezal de corte se detenga.

El control del combustible, la limpieza del filtro de aire y el ajuste de la velocidad de ralentí deben resolver la mayoría de los problemas del motor. De lo contrario, y si está presente alguna de las siguientes condiciones, lleve la unidad a un distribuidor de servicio autorizado:

- el motor no funciona al ralentí
- el motor no funciona de manera uniforme o se detiene al acelerar
- existe una pérdida de potencia del motor

## MANTENIMIENTO DE LA BUJÍA

1. Detenga el motor y deje que se enfríe.
2. Extraiga los tres (3) tornillos de la tapa del motor con un destornillador de cabeza plana o un destornillador T-25 Torx (Fig. 25). Extraiga la tapa del motor.
3. Sujete con firmeza la funda de la bujía y tire para sacarla de la bujía.
4. Limpie alrededor de la bujía. Retire la bujía de la tapa del cilindro con una llave de cubo de 5/8 pulgadas, girando en sentido contrario a las agujas del reloj.



**ADVERTENCIA:** No limpie de forma abrasiva ni raspe o limpie los electrodos de las bujías. La presencia de polvo abrasivo en el motor podría dañar el cilindro.

5. Inspeccione la bujía. Si la bujía está agrietada, averiada o sucia, reemplácela por una pieza de reemplazo n.º **753-05784**, una **Champion RDZ4H** o una bujía equivalente.
6. Use un calibre de separación para ajustar una separación de aire de **0.025 pulgadas (0.635 mm)** (Fig. 26).
7. Instale la bujía dentro de la tapa del cilindro. Apriete la bujía con una llave de cubo de 5/8 pulgadas, girando en el sentido de las agujas del reloj hasta que quede ajustada.

**NOTA:** Si se usa una llave de par, apriete hasta:

**110-120 pulgada•libra (12.3-13.5 N•m). No ajuste demasiado.**

8. Vuelva a colocar la funda de la bujía.
9. Vuelva a colocar la tapa del motor. Controle la alineación de la tapa del motor antes de ajustar los tornillos. Apriete los tornillos.

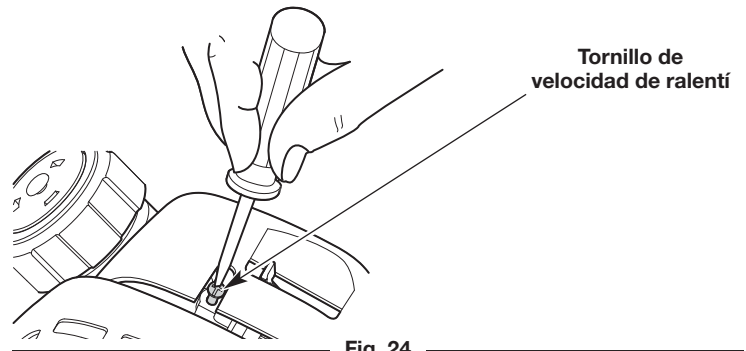


Fig. 24

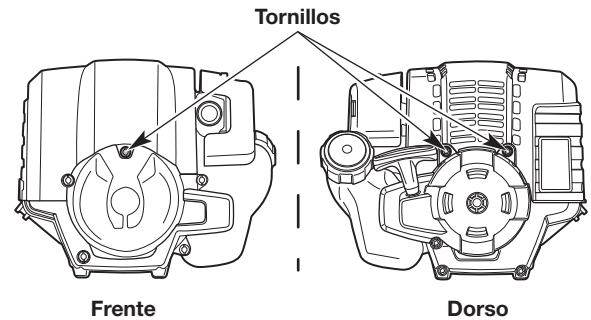


Fig. 25

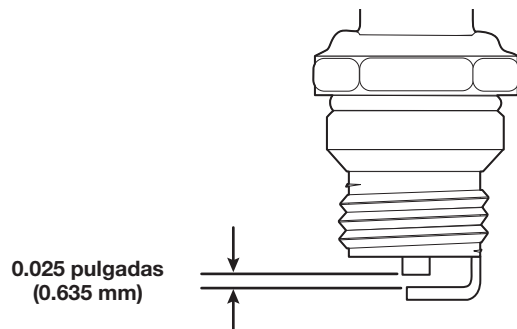


Fig. 26

## LIMPIEZA



**ADVERTENCIA:** A fin de evitar lesiones personales graves, siempre pare el motor y deje que se enfríe antes de limpiar o mantener la unidad.

Use un cepillo pequeño para limpiar el exterior de la unidad. No utilice detergentes fuertes. Los productos de limpieza para el hogar que contienen aceites aromáticos como pino y limón, y los disolventes como el queroseno, pueden dañar el plástico. Limpie todo rastro de humedad con una tela suave.

## ALMACENAMIENTO

- Nunca almacene la unidad con combustible en lugares donde las emanaciones pueden alcanzar llamas abiertas o chispas.
- Deje que se enfríe el motor antes de almacenar la unidad.
- Trabe la unidad para evitar que se la utilice sin permiso o que se provoquen daños.
- Almacene la unidad en una zona seca y bien ventilada.
- Almacene la unidad lejos del alcance de los niños.
- Para suspender el accesorio de un gancho, instale la tapa de suspensión sobre el accesorio. Asegúrese de que el botón de liberación esté firmemente trabado dentro de uno de los orificios de la tapa de suspensión.

### Almacenamiento a corto plazo (1-2 semanas)

1. Almacene la unidad en posición horizontal. Si esto no es posible, almacene la unidad de manera vertical con el motor arriba.

### Almacenamiento a largo plazo

1. Retire la tapa de combustible, incline la unidad y drene el combustible en un recipiente aprobado. Vuelva a colocar la tapa del combustible.
2. Arranque el motor y déjelo correr hasta que se detenga. Esto asegura que todo el combustible se haya drenado del carburador.
3. Deje que el motor se enfríe. Retire la bujía y ponga 5 gotas de un aceite para motor de alta calidad dentro del cilindro. Jale la cuerda de arranque para distribuir el aceite. Coloque nuevamente la bujía.
4. Limpie minuciosamente la unidad e inspeccione si hay alguna pieza suelta o dañada. Repare o reemplace las piezas dañadas y ajuste los tornillos, tuercas o pernos que estén flojos.

### Preparación de la unidad para su uso luego del almacenamiento a largo plazo

1. Retire la bujía y drene todo el aceite del cilindro.
2. Cambie el aceite. Consulte *Cambio de aceite*.

**NOTA:** No use combustible que haya estado guardado durante más de 30 días. Deseche el combustible usado de acuerdo con las normativas federales, estatales y locales.

## SOLUCIÓN DE PROBLEMAS

PROBLEMA	SOLUCIÓN
<b>EL MOTOR NO ARRANCA</b>	
El depósito de combustible está vacío	Llene el depósito de combustible con combustible nuevo
El bulbo del cebador no se presionó lo suficiente	Oprima el bulbo del cebador 10 veces
El combustible está viejo (más de 30 días)	Drene el depósito de combustible y agregue combustible nuevo
La bujía está averiada	Vuelva a colocar la bujía
El motor está caliente	Consulte las instrucciones relacionadas con <i>SI... EL MOTOR ESTÁ CALIENTE</i> en la sección de <i>Arranque y Parada</i>
<b>EL MOTOR NO FUNCIONA AL RALENTÍ</b>	
El filtro de aire está sucio	Limpie o reemplace el filtro de aire
El combustible está viejo (más de 30 días)	Drene el depósito de combustible y agregue combustible nuevo
La velocidad de ralentí es incorrecta	Ajuste la velocidad de ralentí
<b>EL MOTOR NO ACELERA</b>	
El combustible está viejo (más de 30 días)	Drene el depósito de combustible y agregue combustible nuevo
El cabezal de corte tiene césped atascado	Pare el motor y limpie el cabezal de corte
El filtro de aire está sucio	Limpie o reemplace el filtro de aire
<b>AL MOTOR LE FALTA POTENCIA O SE PARA</b>	
El combustible está viejo (más de 30 días)	Drene el depósito de combustible y agregue combustible nuevo
El filtro de aire está sucio	Limpie o reemplace el filtro de aire
La bujía está averiada	Vuelva a colocar la bujía
<b>EL CABEZAL DE CORTE NO HACE AVANZAR EL HILO</b>	
El cabezal de corte tiene césped atascado	Pare el motor y limpie el cabezal de corte
El cabezal de corte está desalineado	Recargue hilo nuevo en el cabezal de corte
El carretel interior se traba	Rebobine el hilo
El cabezal de corte está sucio	Limpie el carrete interior y la bobina exterior
El hilo está soldado	Abra el cabezal de corte y extraiga la sección que se haya soldado
El hilo está torcido	Rebobine el hilo
No se extiende hilo suficiente	Pare la unidad, oprima la perilla de impacto y tire del hilo hasta que salgan 4 pulgadas (102 mm) fuera del cabezal de corte
<b>EL HILO DE CORTE AVANZA SIN CONTROL</b>	
Hay aceite, producto de limpieza o lubricante en el cabezal de corte	Limpie y seque completamente el cabezal de corte

**Si necesita asistencia adicional, comuníquese con un distribuidor de servicio autorizado.**

**GARANTÍA LIMITADA DEL FABRICANTE PARA:**

# **Cub Cadet.**

La garantía limitada que se extiende a continuación es otorgada por la empresa Cub Cadet LLC (Cub Cadet) y cubre mercaderías nuevas compradas y utilizadas en los Estados Unidos, sus posesiones y territorios.

Cub Cadet garantiza este producto por defectos materiales y de fabricación por un período de tres (3) años a partir de la fecha de la compra original y reparará o cambiará sin cargo cuando lo considere pertinente todas las piezas con defectos materiales o de fabricación. Esta garantía limitada sólo se aplicará si el producto ha sido operado y mantenido de acuerdo con las instrucciones del Manual del Operador que se proporciona con el producto y no ha sido sujeto a uso inapropiado, abuso, uso comercial, abandono, accidente, mantenimiento incorrecto, alteración, vandalismo, robo, incendio, inundación o algún daño debido a otro peligro o desastre natural. El daño resultante por la instalación o el uso de accesorios o uniones no aprobados por Cub Cadet para su uso con el(los) producto(s) incluido(s) en este manual anulará la garantía en lo que respecta a esos daños. La presente garantía se limita a noventa (90) días a partir de la fecha de la compra minorista original por cualquier producto Cub Cadet que se utiliza para fines comerciales o de alquiler, o para cualquier otro objetivo lucrativo.

**CÓMO SOLICITAR Y OBTENER SERVICIO TÉCNICO:** El servicio de la garantía está disponible, CON PRUEBA DE COMPRA A TRAVÉS DEL DISTRIBUIDOR LOCAL AUTORIZADO PARA EL MANTENIMIENTO. Para ubicar a un distribuidor en su área, visite nuestro sitio web en [www.cubcadet.com](http://www.cubcadet.com) o [www.cubcadet.ca](http://www.cubcadet.ca), consulte un listado en las Páginas Amarillas, llame al **1-877-282-8684** o al **1-800-668-1238** en Canadá, o escriba a P.O. Box 361131, Cleveland, OH 44136-0019. No se aceptará ningún producto que sea enviado directamente a la fábrica sin que haya una previa autorización por escrito emitida por el Departamento de Asistencia al Cliente de Cub Cadet.

**Esta garantía limitada no suministra cobertura en los siguientes casos:**

- A. Puestas a punto – Bujías, ajustes al carburador, filtros
  - B. Artículos de desgaste – Perillas de impacto, bobinas exteriores, hilo de corte, carretes interiores, polea de arranque, cuerdas de arranque, correas de transmisión, motosierras, barras de guía, dientes de la cultivadora, cuchillas.
  - C. Cub Cadet no extiende ninguna garantía para los productos vendidos o exportados fuera de los Estados Unidos de América, sus posesiones y territorios, excepto para aquellos vendidos a través de los canales autorizados de distribución de exportaciones de Cub Cadet.
- Cub Cadet se reserva el derecho a cambiar o mejorar el diseño de cualquier Producto Cub Cadet sin asumir ningún tipo de obligación de modificar ningún producto fabricado previamente.

**No se otorgan garantías implícitas, incluidas las garantías implícitas de comerciabilidad o de adecuación para un propósito determinado, después del período de garantía escrita expresa aplicable anteriormente mencionado para las piezas identificadas. Cub Cadet no se verá comprometido por ninguna otra garantía expresa, oral o escrita sobre un producto, excepto la mencionada anteriormente, extendida por personas físicas o personas jurídicas, incluidos los distribuidores o los minoristas. Durante el plazo de la garantía el único recurso es la reparación o el reemplazo del producto como se indicó anteriormente.** (Algunos estados no permiten las limitaciones a la duración de las garantías implícitas por lo que la limitación antes mencionada puede no serle de aplicación.)

**Las disposiciones incluidas en esta garantía proveen el recurso único y exclusivo que surge de las ventas. Cub Cadet no será responsable por pérdidas o daños incidentales o directos, incluyendo sin límites los gastos incurridos para los servicios de cuidado del pasto de reemplazo o cambio, los gastos de transporte o los gastos relacionados, o los gastos de alquiler para reemplazar de manera transitoria un producto bajo garantía.** (Algunos estados no permiten las limitaciones a la duración de las garantías implícitas por lo que la limitación antes mencionada puede no serle de aplicación.)

En ningún caso se obtendrá una compensación mayor al monto del precio de compra del producto adquirido. La alteración de las características de seguridad del producto anulará esta garantía. Usted asume el riesgo y la responsabilidad por las pérdidas, daños o lesiones que sufra Usted y sus bienes y / o otras personas y sus bienes como consecuencia del uso, del uso incorrecto o de la imposibilidad de uso de este producto.

Esta garantía limitada alcanza solamente al comprador original, al arrendatario original o a la persona que recibió el producto de regalo.

**Relación de la ley estadual con esta garantía:** Esta garantía le otorga derechos legales específicos, pero usted podría gozar de otros derechos que varían en cada estado.

Para ubicar su distribuidor de servicio más cercano, marque **1-877-282-8684** en los Estados Unidos o **1-800-668-1238** en Canadá.

**CUB CADET LLC**

P.O. Box 361131

Cleveland, OH 44136-0019