

User Manual

Attention and Precautions	5
FOR YOUR SAFETY	5
SECURITY REQUIREMENTS	6
MAINTENANCE	8
Your Phone	11
Getting Started	13
BATTERY	13
REMOVING AND INSTALLING BATTERY	13
CONNECTING TO NETWORK	15
INSERTING AND REMOVING SIM CARD	16
INSERTING AND REMOVING MEMORY CARD	17
POWER ON/OFF PHONE	18
PIN AND PUK	18
PHONE LOCK	19
LOCKING THE KEYPAD	20
CONNECTING TO NETWORK	20
Basic Functions	21

MAKING A CALL	21
MAKING DOMESTIC CALLS	21
DIALING EXTENSION NUMBER OF FIXED-LINE TELEPHONE	21
DIALING INTERNATIONAL CALLS.....	22
DIALING PHONE NUMBERS IN THE CALL RECORDS	23
EMERGENCY CALLS	23
ANSWERING A CALL	24
CALL RECORDS	24
CALL OPTIONS.....	24
Using the menus	28
ACCESSING A MENU FUNCTION	28
EXITING A MENU FUNCTION.....	28
LIST OF MENU FUNCTIONS	28
Messages	31
CREATE A NEW SHORT MESSAGE	31
CREATE A NEW MULTIMEDIA MESSAGE	31
Contact	32
ADD NEW CONTACT	32
SEARCHING FOR A CONTACT	32
Multimedia	33

CAMERA	33
AUDIO PLAYER	33
FM RADIO	33
SOUND RECORDER	34
IMAGE VIEWER	34
Games	36
JAVA APPLICATIONS	36
WAP	37
SETTING THE CONNECTION PROFILE	37
SETTING THE WAP	37
CONNECTING TO THE NETWORK	38
Input method	39
CHANGING THE TEXT INPUT MODE	39
ENTERING (ABC AND ABC)	39
ENTERING NUMBERS	39
ENTERING SYMBOLS	40

Attention and Precautions

For your safety



Remember to comply with legal requirements and local restrictions when using the phone, for example, in aero plane, petrol stations, hospital or while driving



Always keep your handsfree to operate the vehicle while driving. Your first consideration while driving should be road safety. Don't use handset while driving.



As per the law, phone should not be used at refueling point near fuel or chemicals.



Mobile phones can interfere with the functioning of medical devices such as hearing aids or pacemakers. Keep at least 20 cm(9 inches) between the phone and pacemaker. When using the mobile phone hold it to the ear which is furthest away from the pacemaker. For more information, consult your doctor.



All wireless phones may be susceptible to interference, which could affect performance. The phone may cause

interference in the vicinity of TV sets, radios and PCs.



The mains voltage (V) specified on the power supply unit must not be exceeded. Otherwise the charging device may be damaged.

The power supply must be plugged into an easily accessible AC mains power socket when charging the battery. The only way to turn off the charging device after charging the battery is to unplug it.



Only qualified personnel may install or repair this product.



When connecting to any other product, read its user guide for detailed safety instructions. Do not connect incompatible products.



Use only approved enhancements and batteries. Do not connect incompatible products.

Security Requirements

Before making or answering a call, you should pay attention to the local laws about the use of wireless mobile phones and

take them into account in practical use.

Traffic safety

Pay attention to traffic safety. Do not use your mobile phone while driving. Park before making or answering a call.

Flight Safety

Please turn off your GSM mobile phone before the airplane takes off in order to protect airplane's communication system from interference.

Using mobile phone before the plane taking off should get aircrew's permission according to safety regulations.

Environment Safety

Do not use your mobile phone near precision electronic equipment. Radio wave interference may cause malfunctioning of such electronic equipment and other problems.

Operating of mobile phone may interfere with medical devices like hearing aids and pacemakers.

Do not use your phone in a potentially dangerous atmosphere.

Please strictly observe with the restrictions on the use of wireless devices.

FCC Notice to Users

The following statement applies to all products that have received FCC approval. Applicable products bear the FCC logo, and/or an FCC ID in the format FCC-ID:ZC4LX20 on the product label. This device complies with part 15 of the FCC Rules. Operation is subject to the following two conditions: (1) This device may not cause harmful interference, and (2) this device must accept any interference received, including interference that may cause undesired operation. See 47 CFR Sec. 15.19(3). This equipment has been tested and found to comply with the limits for a Class B digital device, pursuant to part 15 of the FCC Rules. These limits are designed to provide reasonable protection against harmful interference in a residential installation. This equipment generates, uses and can radiate radio frequency energy and, if not installed and used in accordance with the instructions, may cause harmful interference to radio communications. However, there is no guarantee that interference will not occur in a particular installation. If this equipment does cause harmful interference to radio or television reception, which can be determined by turning the equipment off and on, the user is encouraged to try to correct the interference by one or more of the following measures:

- Reorient or relocate the receiving antenna.
- Increase the separation between the equipment and the receiver.
- Connect the equipment to an outlet on a circuit different from that to which the receiver is connected.
- Consult the dealer or an experienced radio/TV technician for help.

Changes or modifications not expressly approved by the party responsible for compliance could void the user's authority to operate the equipment. The FCC permits a maximum SAR value of 1.6 mW/g. The highest SAR value for this product when used on the body, as described in this user's guide, is 0.787W/1KG

Maintenance

Battery instructions

When the phone automatically turns off or indicates the alarm

information of power shortage, please charge the battery in time.

For the first few times, please charge the battery fully.

When not in use, please separate the battery with power supply. Overcharging will shorten the life of the battery.

Do not expose your products to extreme high or low temperatures. Do not expose the battery to temperatures above+60°C.

Do not use damaged battery.

Do not expose your mobile phone to direct sunlight or in hot areas. High temperatures can shorten the life of electronic devices.

Do not expose the battery into fire or throw it away. Return the wear-out battery to the provider or put it in the appointed recycle place. Do not put it in familial rubbish.

Follow these guidelines to protect your products :

keep the products out of children's reach

Keep your product dry. Do not expose it to liquid or moisture.

Do not short-circuit the battery, as this can cause excessive heat to bring about fire.

Do not expose your mobile phone to direct sunlight or in hot areas. High temperatures can shorten the life of electronic devices.

Do not attempt to disassemble the mobile phone and battery by yourself. Non-expert handling of the devices may damage them.

Prevent liquid from leaking into your phone.

Please use original accessories. Using any unauthorized accessories may affect your mobile phone's performance.

Note: The performance of your phone depends on your local network operator's card and how you actually use it. We are not responsible for any damages due to inappropriate use.

Please read these brief rules. Violation of these rules might cause danger or break laws.

Your Phone

Phone Overview



- | | |
|-------------|----------------|
| 1 Trackpad | 6 Back key |
| 2 Menu key | 7 End key |
| 3 Send key | 8 Headset jack |
| 4 Qwerty | 9 Charger jack |
| 5 Power key | |

Key functions

Keys	Description
[Send key]	Press to perform one of the following: <ul style="list-style-type: none"> • Open recent call log • Call a contact when a contact name/number is highlighted
[Menu key]	Press to open a list of actions available on the current screen. Select Yes in prompt windows.
[End key]	When on a call,press to hang up. When not on a call: <ul style="list-style-type: none"> • Press and hold to power on/off the phone. • Press to back to idle screen.
[Back key]	Press to return to previous menu. Select No in prompt windows.
[Trackpad key]	Press this key in idle mode to enter the main menu. Performs the function of the prompt displayed at lower left corner of the screen.

Getting Started

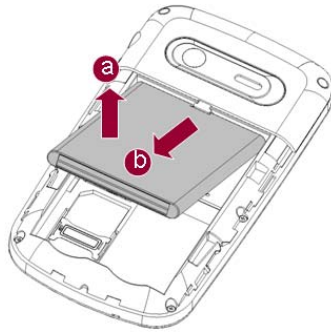
Battery

The battery at its initial condition is charged to 50% full, and can be used after unwrapping.

Removing and installing battery

For removing:

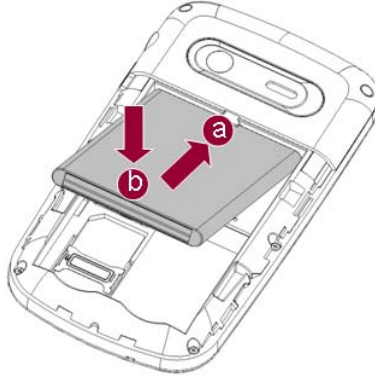
- A. Push the battery back cover;
- B. Lift the battery up as indicated by the arrow;
- C. Take the battery out.



Warning: Make sure to power off the phone before taking out SIM card, battery, otherwise your SIM card might be damaged.

For installing:

- A. Place the metal contact points of the battery upward and flush with metal contact points in the battery bay, then insert the bottom of battery into battery bay.
- B. Place the back cover of the battery onto the phone squarely, and push in the direction of the arrow till it clicks into place.



Charging Battery

While charging, the power supply indicator at phone's screen

icon zone will flash in a rotation manner, if the phone is off while charging, a charging screen will still appear, indicating that the phone is recharging. If the phone is still being overused while the power supply is insufficient, the recharging indicator will appear on the screen after the recharging has started for a while.

When the power supply indicator at the screen's icon zone shows full and stops flashing, it means charging has completed. If it takes place when the phone is off, the screen will display charging-finished icon. The process generally takes about 2.5 hours. It is normal that the battery, the phone and the charger will become hot during the charging process. Once charging is completed, disconnect the phone and the charger from the AC power supply.

Note: Battery must be charged in a well ventilated place with surrounding temperature at $-10^{\circ}\text{C}\sim+55^{\circ}\text{C}$, and it is imperative that a charger provided by manufacturer is used. Using unauthorized charger might cause danger, which also violates warranty terms prescribed by the manufacturer. If the charging temperature is too high or too low, the phone will automatically give warning and stop charging, so as to prevent damages to battery.

Connecting to Network

SIM card

A valid SIM (Subscriber Identity Module) card must be inserted in the phone before using it.

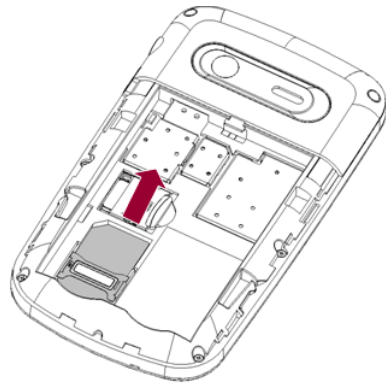
All information related to making connection to the network are recorded in the chips of SIM card, including the names, phone numbers and short messages you have stored in the SIM card Phone book. In order to prevent loss or damage of the info in the SIM card, it is necessary to avoid touching metal contact surface, and keep SIM card far from electricity current and magnet.

Inserting and removing SIM card

Power off the phone; remove battery and other external power connection, as shown in the image.

Insert SIM card into SIM card socket.

When you need to remove SIM card, please power off the phone first, remove battery, then remove the card.



Inserting and removing memory card

Power off the phone; remove battery and other external power connection.

Insert memory card into card slot as shown in the image.



Power on/off phone

To power on, please press and hold the End key/Power key. Then the screen will display the prompts like Enter phone password, SIMcard password in sequential order as per the setting done by user. Once the appropriate password is entered, the phone will search for network connection and latch accordingly to the appropriate network.

To power off, please press and hold the End key/Power key.

PIN and PUK

To prevent illegal usage, PIN (Personal Identification Number) code is adopted to encrypt for protection of your SIM card. Selecting this option and if having set up PIN code protection, you have to enter PIN code each time you power on the phone.

Press and hold the End key to power on the phone;

Enter PIN code, use Back key to delete input-errors, Menu key for "OK". For instance, if PIN setting is 1234, then enter the following input: 1 2 3 4 "OK".

If there are three consecutive input errors, your SIM card will be locked up by the network, the phone will inquire PUK code.

Note: Your service provider will set up a standard PIN (4 to 8 digits) number for your SIM card; you should change it into your private password as soon as possible. PUK code will be provided by the network provider.

Phone lock

The phone lock protects your phone from unauthorized use.

The default phone lock code is 1122. You can change it into any numeric string of 4 to 8 digits.

If the phone lock function is enabled, you need to enter the correct phone lock code when the phone is powered on or in

the standby mode.

Locking the Keypad

To unlock the keypad, press Menu key and Cap key.

If the Auto Keypad Lock function is enabled and the phone is idle for a preset period in standby mode, the keypad is locked automatically.

Note: When the keypad is locked, you can press Send key to answer an incoming call or make emergency calls.

Connecting to network

After SIM card is successfully unlocked, the phone will automatically search available network (with searching showing on the screen). Once the connection is made, the name of the service provider will be displayed on the screen.

At this time your phone has been connected to the service network.

Note: If the screen prompts "Emergency ", this means you have moved out of the normal network coverage (service range) or your card has not passed authentication, but you can still transmit emergency calls based on signal strength.

Basic Functions

Making a call

When the logo of service provider appears on the display screen, you can dial or receive calls. The info bar at the upper left corner of the display screen shows network signal strength (when there are 5 info bars the signal is at its strongest).

The call quality is very likely to be affected by obstructions.

Making domestic calls

Enter phone number, and then press Send key to make the call. If the user needs to change phone number, press Back key "Clear" back and delete numbers. Dialing animation will be displayed on the screen during dialing. Call state info will be shown on the screen after the called party ends the call. You can enter and dial domestic call following the order:

(Area code) (Phone number) (Dial)

Dialing extension number of fixed-line telephone

Some extension numbers of fixed-line telephone cannot be

connected directly, you must dial the power board phone number, then press p key , then dial extension number.

You can dial extension numbers of fixed-line telephone in the following order:

(Area code) (Power board number) P (Extension number)

Send key

Dialing international calls

To make an international call, you may press * key to power continually, till the screen displays the pre-digit symbol "+" for international long distance call, which will enable you to make a call from any country without knowing the local international access code.

You can enter numbers in the following sequence to make an international call:

(+) (Country code) (complete phone number) (Send key)

After inputting prefix number, input the code and the complete phone number of the wanted country. The country code follows usual practice, such as Germany 49, UK 44, Sweden 46, India 91 etc.

Like making an international call, the "0" before city code

number should be dropped.

Dialing phone numbers in the call records

Every phone number you have dialed or received will be stored in the list of phone call records. The latest dialed, received and missed numbers will be listed, according to their types, in the respective menu of dialed calls, received calls and missed calls. When call record list is full, the old numbers will automatically be deleted. To view the list, do the followings:

In standby state press Send key to view the record for all calls.

All phone numbers in the list can be dialed directly by pressing the Send key.

When the list is displayed, press "OK" to read the details, then "options" to Save or Delete the number.

Emergency calls

As long as in the network service range (which can be confirmed by checking the signal strength bars on the top left corner of the screen), you can always call emergency service.

If your network supplier does not provide roaming service in your area, the screen will display "Emergency", to inform you that only emergency call is permitted. If you are within the network service range, you can also make emergency calls even without the SIM card.

Answering a call

An incoming call can be accepted with the single press of Send key. If earphone has been connected, use the button on the earphone to answer a call, and if it is not convenient for you to press it, set automatic answer as on, assuring that the earphone is plugged on, so as to answer calls automatically while the phone rings or vibrates. If Any Key answer function is chosen, then a call can be answered on pressing any key, other than End key and Back key.

Call records

Your phone can also store call records of the latest missed calls, received calls, dialed calls, the time of last call as well as total amount of received calls and total dialed calls for you.

Call options

In call connected state, pressing Menu key "Options" can enter call option, or pressing Back key "H-Free" to activate speaker, under activated-hands free condition, press Back key "H-held" to power off speaker. Operation methods of call options are the same with that of Function menu.

This call options can only be viewed during call process, moreover, the functions of call waiting, call holding, and conference calls need service support, please contact your service provider for details.

In the call options, you can make the following operations:

Hold Single call: Make the current call hold.

End Single call: End the current call.

New call: Enter new dialing interface.

Phonebook: Enter Phone book menu.

Messages: Enter Short message menu. Owing to restriction of network engagement, MMS function is barred during call process.

Sound Recorder: Record the current call.

Background sound: Setup the background sound for the current calling.

Mute: On selecting silence during a incoming call, the ringer will be muted.

DTMF: Operations of DTMF powering on and off

Conference*: Enter multiple party conference call state.
By following the prompts, you can have the following functions:
receive waiting calls, add them into multiple party call,
maintain the multiple party call, talk privately with one party of
the conference while maintaining all other callers, connect
one party in the call conference with another party while
exiting the multiple party call oneself, maintain one party of
the multiple party call and end current call and all other
maintained calls.

Note: The menu marked * items will only appear in special
circumstances. For conference function, it is necessary to apply for
service supply to corresponding service operator.

Using the menus

The phone offers a range of functions that allow you to tailor it to your needs.

These functions are arranged in menus and submenus which can be accessed by scrolling or using the appropriate shortcut.

Accessing a menu function

1. Press Menu key/OK key in standby mode.
2. Press Trackpad key to scroll to the desired main menu.
3. Press Menu key to enter the main menu.

If the main menu contains any submenus, reach the desired one with Direction key.

4. Press Menu key to enter the submenu.

Exiting a menu function

You can return to the previous menu level by press back key.

List of menu functions

1 Messaging | 1-1 Write message

1-2 Inbox	4 Search
1-3 Drafts	4-1 Internet service
1-4 Outbox	
1-5 Sent messages	5 File manager
1-6 Delete messages	
1-7 Broadcast message	6 Audio player
1-8 Templates	
1-9 Message settings	7 iTelcel
2 Telcel	8 Telcel Móvil
3 Games	9 Camera
3-1 Ideas Juegos	
3-2 JAVA	10 Contacts
3-3 Fun&games	
3-4 Vitter	11 Ideas
3-5 Motalk	11-1 iTV
3-6 Bubble	11-2 iRadio
3-7 GameCenter	11-3 iMusic
	11-4 Windows Live

11-5 Msngr	
11-6 Plugge	14 Applications
	14-1 Internet service
12 Multimedia	14-2 Calendar
12-1 Ideas Music	14-3 Tasks
12-2 Ideas Image	14-4 Alarm
12-3 Image viewer	14-5 World clock
12-4 Photo editor	14-6 Notes
12-5 Sound recorder	14-7 Synchronization
12-6 FM radio	14-8 Bluetooth
12-7 Slide show	14-9 Calculator
	14-10 Currency converter
13 Settings	14-11 Ebook reader
13-1 User profiles	
13-2 Phone settings	15 Call
13-3 Network settings	15-1 Call history
13-4 Security settings	15-2 Video call
13-5 Connectivity	15-3 Call settings
13-6 Restore factory settings	

Messages

Create a new short message

1. Enter Messages, then select SMS
2. Write Message.
3. Press the Menu key (**Option**) and select the required items, including Insert symbol, Input method, Insert template, Advanced, Save to drafts.
4. Press the Menu key (**Option**) and select **Send to** enter number or add from phonebook.

Create a new Multimedia Message

1. Enter Messages, then select Multimedia message
2. Press the Menu key (**Option**) and select the items you want to send, including Insert symbol, Input method, add picture, add sound, add video, add subject and so on.
3. Press the Menu key (**Option**) and select **Send to** Enter recipient or add from phonebook.
4. Press the Menu key (**Option**) and select Send, Send options, edit recipient and so on.

Contact

Add new contact

1. Select "Contact > Add new contact".
2. Press Menu key (**Options**) to select, caller groups, phonebook settings.
3. Edit contact.
4. Finish editing, press Menu key (**Option**), then select Done or Add detail.

Searching for a Contact

1. Select Menu > Contact > Phonebook
2. In phonebook list, enter the name, or the first letter of the name to search.

Multimedia

Camera

1. Select Menu > Camera.
2. Press Menu key (**Options**), and then select to view the photo album or set relevant parameters.
3. Press OK key to take a photo.
4. Press Menu key (**Option**) to select delete, forward or photo editor the photo; press Back key to take another photo, the previous photo will be saved automatically.

Audio player

1. Select Menu > Audio player
2. Press Menu key (**list**) and select refresh list, settings.
Access the Music Player interface and adjust the Play and Pause of the music by the OK key. Press number key 4 or 6 to choose the previous/next audio file; Press Up key/Down key to adjust the volume.
3. Press Back key (**Back**) to return to the main menu.

FM radio

The headset cable suggest connect to the handset as antenna while playing FM.

1. Connect a compatible headset to the phone.
2. Select Menu > Multimedia > FM Radio to activate the FM radio.

After loading, the phone plays a program.

3. On the FM Radio screen, you can do as follows:

Press # key/* key to adjust the volume.

Press Left key/Right key to tune by 0.1 MHz.

4. Press Menu key (**Options**) and select Channel list, Auto Search, Settings and so on.

Sound recorder

1. Select Menu > Multimedia > Sound Recorder.
2. Press Menu key (**Options**) and select Record.

During the recording process, press OK key to pause/continue.

3. Press Back key (**Stop**) to stop recording.

Image viewer

1. Select Menu > Multimedia > Image viewer.

2. Press Menu key (**Options**) and select view,browse style,use as and so on.

Games

Java applications

Installing applications

1. Press Menu key, and then select File manager,select installation files have the extension .jar or .jad
2. Press Menu key (**Options**) and then select Install and follow the instructions in the phone.
3. Select Phone or Memory card to install
4. The application will be installed in Java folder.

Removing applications

1. Press Menu key, and then select **Games > Java**.
2. Press Menu key (**Options**) and then select Delete, confirm with Yes.

WAP

You can access WAP sites and use WAP-based services on your phone. To access the WAP sites through your phone, you need to subscribe the corresponding service from the service provider and set the relevant parameters on your phone first.

For details about the service and the charges, contact your service provider.

Setting the connection profile

Setup the data account:

1. Select "Menu > Settings >Connectivity> Data Account".
2. Select your service provider from list. Press Menu key (**Edit**) or OK key to open.
3. Setup the data account with the information provide by your service provider.
4. Press Menu (**Done**) , pop-up message to preserve.
5. Press Menu key (**Yes**) to save ; press Back key (**No**) to exit.

Setting the WAP

1. Applications>Internet service>Settings>Profiles, and select Edit account.
2. Select your profile.

Connecting to the Network


You can browse WAP pages on your phone after setting the connection profile and WAP parameters.

1. Select "Applications>Internet service>Settings>Profiles".
2. Select Input Address and press Menu key (**OK**).
3. Input a WAP site address.
4. Press Menu key (**Options**) and select Done.

The browser will display the corresponding WAP page.


Input method

Changing the Text Input Mode

The indicator of the current text input mode is displayed in the upper left corner of the screen. You can press  to change the text input mode.

Indicator	Text Input Mode
abc	Traditional input mode
123	Number input mode

Note: Press Back key (Clear) once to delete the last entered character. Press and hold Back key (Clear) for about 3s to clear all the entered characters at a time.

In any text input mode (except the "123" mode), press  to enter a space.

Entering (ABC and abc)

In the "ABC" or "abc" input mode, you can press Alt key labeled the desired letters .

Entering Numbers

In the "123" input mode, press a key labeled the desired number.

In the "ABC" or "abc" input mode, press alt key then input a number.

Entering Symbols

To any input modes, press SYM key to display a symbol list.