

Beyond Smart[®] Microwave Oven

Directions for Use

Table of Contents

1. Important Safety Information	4
For Your Records.....	4
Precautions to avoid possible exposure to excessive microwave energy.....	4
Basic Safety Precautions	5
Safety Precautions For General Use	6
2. Introducing the Beyond Smart Microwave Oven	7
Unpack Your Beyond Smart Microwave [®] Oven.....	7
Choose a Location	8
Electrical Requirements	9
Grounding Instructions	9
Extension cords.....	9
Program the Home Code	9
Install the Turntable	10
Set The Clock.....	11
3. Get To Know Your Beyond Smart Microwave Oven	12
Control Panel	12
Other Important Oven Features	14
4. Basic Oven Operation	16
In a Nutshell:	16
Basic Heating/Reheating	16
5. Defrosting	18
Auto Defrost.....	18
Time Defrost.....	19
6. Beyond Smart Microwaving	20
What is the Home Hub?.....	20
Using the Scanning Function.....	20
Using the Learn Function.....	21
Manually Entering a New Cooking Program	21
Using the Learn Function to Customize Cooking Programs	21
Using the Learn Function to Download Recipes from the Home Hub Network.....	21
7. Maintenance	23
Cleaning and Care	23
After Cleaning.....	23

Replacing the Line Fuse 24

Replacing the Interior Light Bulb..... 24

Ordering Accessories and Books..... 24

8. Troubleshooting.....25

 Contacting Customer Relations 25

9. Technical Specifications26

10. LIMITED ONE YEAR WARRANTY27

11. Appendix.....29

12. Index30

1. Important Safety Information

For Your Records

- Save these instructions.
- For proper use of your oven read remaining safety cautions and operating instructions.
- Please make a note of the following information:

Model No.: _____	Serial No.: _____
Dealer: _____	Phone No.: _____
Date of Purchase: _____	

Precautions to avoid possible exposure to excessive microwave energy

DO NOT attempt to operate this oven with the door open since open-door operation can result in harmful exposure to microwave energy. It is important not to defeat or tamper with the safety interlocks. Under normal conditions oven will not operate with door open. Do not place any object between the oven front face and the door or allow soil or cleaner residue to accumulate on sealing surfaces. Do not operate the oven if it is damaged. It is particularly important that the oven door close properly and that there is no damage to the:

- Door (bent)
- Hinges and latches (broken or loosened)
- Door seals and sealing surfaces

DO NOT tamper with or make any adjustments or repairs to door, Control Panel, safety interlock switches or any other part of the oven.

DO NOT remove outer panel from oven.



Repairs should only be done by a qualified service person.

Basic Safety Precautions

WARNING

Your microwave oven is a cooking device. Use as much care as you use with a stove or any other cooking device. When using this electric appliance, basic safety precautions should be followed, including the following:

To reduce the risk of burns, electric shock, fire, injury to persons, or exposure to excessive microwave energy:

1. Read all instructions before using the appliance. Use this appliance only for its intended use as described in this manual.
2. Read and follow the specific **"PRECAUTIONS TO AVOID POSSIBLE EXPOSURE TO EXCESSIVE MICROWAVE ENERGY,"** found on the inside front cover.
3. This appliance must be grounded. Connect only to properly grounded outlet. See **GROUNDING INSTRUCTIONS**, page 8.
4. Install or locate this appliance only in accordance with the Installation instructions.
5. Do not cover or block any openings on this appliance.
6. Do not store or use this appliance outdoors. Do not use this product near water: for example, near a kitchen sink, in a wet basement, or near a swimming pool, and the like.
7. **DO NOT** use corrosive chemicals, vapors, or non-food products in this appliance. This type of oven is specifically designed to heat or cook. It is not designed for industrial or laboratory use. The use of corrosive chemicals in heating or cleaning will damage the appliance and may result in radiation leaks.
8. When cleaning surfaces of door and oven that come together on closing the door, use only mild, non-abrasive soaps or detergents applied with a sponge or soft cloth.
9. Do not allow children to use this appliance, unless closely supervised by an adult.
10. Do not operate this appliance if it has a damaged cord or plug, if it is not working properly, or if it has been damaged or dropped.
11. Do not immerse cord or plug in water. Do not let cord hang over edge of a table or counter. Keep cord away from heated surfaces.

 **WARNING**

12. To reduce the risk of fire in the oven cavity:

- Do not overcook food.
- Take care when using paper, plastic, or other combustible materials inside the oven to facilitate cooking.
- Remove wire twist-ties from paper or plastic bags before placing bag in oven.
- **If materials inside the oven should ignite, keep oven door closed, turn oven off, disconnect the power cord, or shut off power at the fuse or circuit breaker panel.**
- Do not use the cavity for storage purposes.
- Do not leave paper products, cooking utensils, or food in the cavity when not in use.

Safety Precautions For General Use

1. **DO NOT** operate the oven empty. The microwave energy will reflect continuously throughout the oven causing overheating, if food or water is not present to absorb energy. This could damage the oven and result in the risk of a fire.
2. Some products such as whole eggs, narrow neck bottles and sealed containers--for example, closed glass jars--may explode and should not be heated in this oven.
3. **DO NOT** dry clothes, newspapers or other materials in oven, or use newspapers or paper bags for cooking. Fire could result.
4. **DO NOT** use recycled paper products unless the paper product is labeled as safe for microwave oven use. Recycled paper products may contain impurities which may cause sparks, and result in fires when used.
5. **DO NOT** hit or strike Control Panel. Damage to controls may occur. Fire could result.
6. **POT HOLDERS** should always be used when removing items from the oven. Heat is transferred from the **HOT** food to the cooking container and from the cooking container to the Glass Tray. The Glass Tray can be very **HOT** after removing the cooking container from the oven.
7. **DO NOT** store flammable materials next to, on top of, or in the oven. These could be fire hazards.

2. Introducing the Beyond Smart Microwave Oven

Your Beyond Smart Microwave Oven delivers the ultimate ease of use and convenience in microwave cooking. Of course, the Beyond Smart Microwave Oven is ideal for routine microwaving chores: warming your cup of coffee, making popcorn, reheating leftovers, defrosting that roast or jar of homemade spaghetti sauce, and so on. But the Beyond Smart Microwave Oven can do so much more.

The Beyond Smart Microwave Oven is packed with advanced features and the latest networking technology but is still as easy to use as a traditional microwave oven. The Beyond Smart Microwave Oven takes the guess work out of microwave cooking.

You won't need to wonder any more about the correct cooking time and power level. You won't end up with food that's burned on the edges and frozen in the middle.

The Beyond Smart's built-in intelligence allows you to automatically cook nearly any packaged food to perfection. A simple swipe of the oven's scanning wand across the package's bar code will instantly program the oven for precisely the right power level and cooking time - even when the cooking requires defrosting, multiple power levels and varying cooking times.

You can use the oven's Instant On feature to cook in multiples of one minute, or easily add a minute or two to a previously selected cooking time.

Beyond Smart Microwave Oven also features a control panel safety lock to prevent inadvertent operation.

Please read this manual thoroughly before using the Beyond Smart Microwave Oven. Familiarize yourself with the safety precautions and the all the great features of your Beyond Smart Microwave Oven.

Keep this manual handy for future reference.

Let's get cooking!

Unpack Your Beyond Smart Microwave® Oven

1. Carefully remove the Beyond Smart Microwave Oven® and all other contents from the carton. Remove all packing materials from the interior of the oven.

NOTE: Do not remove the light brown, mica wave guide cover which is located on the right interior wall.

2. Verify that you have all the items shown in Figure 1 and that all items are in good condition. Check the oven for any damage, such as a misaligned or bent door, damaged door seals and sealing surfaces, broken or loose door hinges and latches, or dents on the door or interior walls.

If there is any damage, do not operate the oven. Contact your Beyond Smart retailer or contact Beyond Smart Customer Relations at 1-800-1-800-947-3744 between 7:30 a.m. and 6:00 p.m., CST, Monday through Friday, or by e-mail at salton@saltonusa.com.

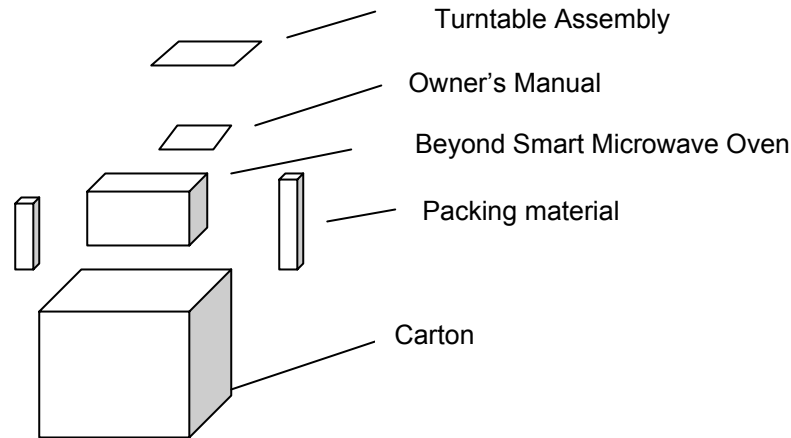


Figure 1. [View of oven and all contents “exploding” out of shipping/shelf container.]

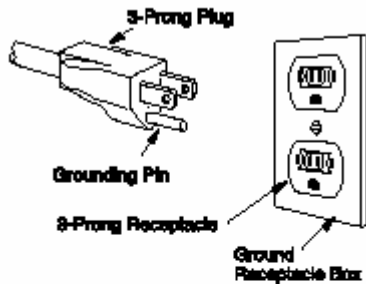
Choose a Location

Because you will be using your Beyond Smart Microwave Oven frequently, choose a location that allows convenient access.

Keep these points in mind when deciding where to place your oven:

- The oven must be placed on a firm, level surface.
- Be sure that air can circulate freely around the oven. Allow two inches of clearance around all vents.
- Do not install oven over a range cooktop or other heat-producing appliance.
- Place the oven as far away from radios and TVs as possible. Operation of microwave ovens may cause interference with your radio or TV reception.

Permanent and Correct Installation



Temporary Use

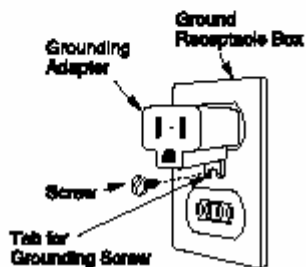


Figure 2. Grounding Instructions

Electrical Requirements

The electrical requirements are: 120 volt 60 Hz, AC only, 15 amps, or more protected electrical supply. The microwave oven should be the only device plugged into the outlet.

Grounding Instructions

The oven must be plugged into a wall receptacle that is properly installed and grounded in accordance with the National Electrical Code and local codes and ordinances.

If you do not have 3-prong outlets, a 3-prong adapter may be purchased and installed if local codes allow. Follow package directions for correct installation, or refer to Figure 2 for correct installation of the 3-prong adapter.

Extension cords

If it is necessary to use an extension cord, use only a 3-wire extension cord that has a 3-blade grounding plug and a 3-slot receptacle that will accept the plug on the microwave oven. The marked rating of the extension cord should be AC 115 - 120 volt, 15 Amps, or more.

Program the Home Code

NOTE: Follow this step only if you have installed the Home Hub[®] Network. Otherwise, skip ahead to **Install the Turntable**.

When you first plug in your Beyond Smart Microwave Oven, a two-digit number will appear in the display. This is the Home Code, a unique identifier that your Home Hub uses to recognize each Beyond Smart appliance in your home.

- When the Home Code appears in the display, press **HC** on the control panel to send the Oven's ID to the Home Hub.
- If the Home Code does not appear in the display, check the back of the Home Hub alarm clock to find the Home Code ID number. Use the digits on the oven's number pad to manually enter the Home Code ID number, then press **HC**.

Install the Turntable

The turntable must be installed before using the Beyond Smart Microwave Oven. Refer to Figure 3, below, for turntable installation.

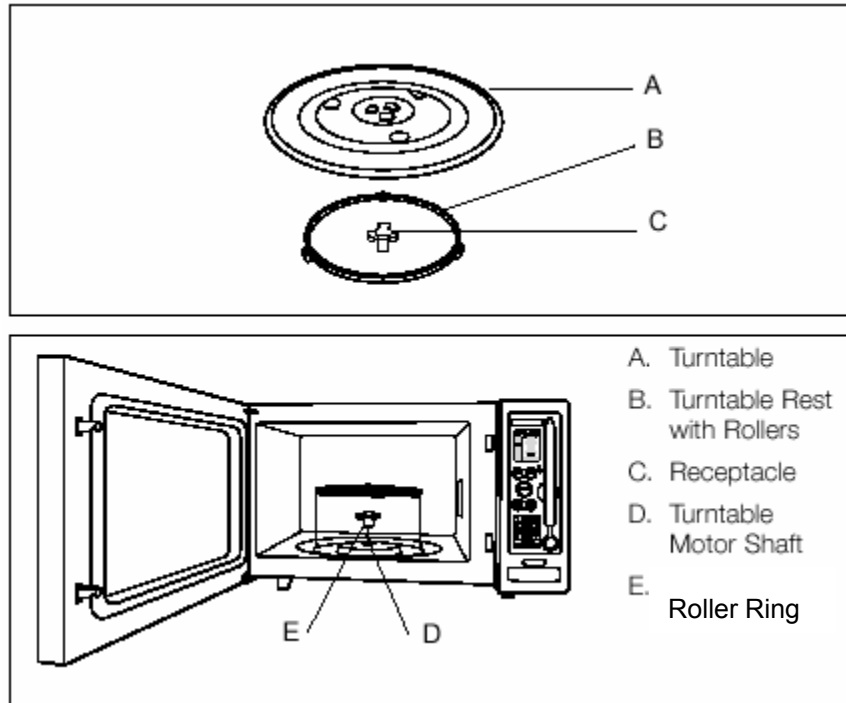


Figure 3. Turntable installation

1. Insert the shaft of the receptacle (C) into the turntable motor shaft (D) in the floor of the microwave oven.
2. Place the turntable support (Item B) on the roller ring (E) in the floor of the microwave oven.
3. Place the turntable (A) on top of the turntable support (B). The turntable should turn freely when the microwave oven is in use.

NOTE:

- Never operate the microwave oven without the turntable installed.
- The turntable must be able to rotate freely during oven use.
- Never place the turntable upside down.
- Always place food and containers of food on the turntable for cooking.
- The turntable will reverse direction each time operation is stopped and started again.
- If the turntable or any components of the turntable assembly is damaged, contact Consumer Relations at 1-800-947-3744 for replacement parts.

Set The Clock

Before using the Beyond Smart Microwave Oven for the first time, you must set the clock to the correct time of day.

To set the clock:

1. Press **CLOCK** on the control panel. The display will flash **0:00**.
2. Use the digits on the number pad to enter the hour and minutes. For example, if you want to set the clock to "5:30," press in sequence: **5** **3** **0**. To set the clock to "10:45," press in sequence: **1** **0** **4** **5**.

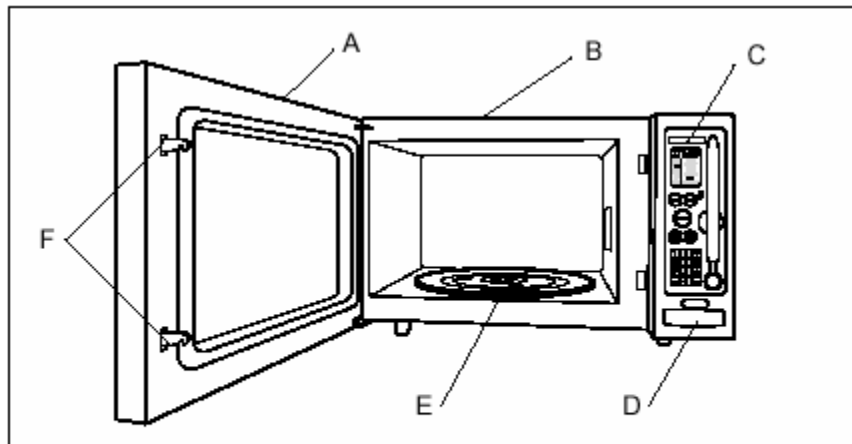
Note: The clock is a 12-hour clock. It does not distinguish AM /PM.

3. Once you have entered the correct time of day, press **CLOCK** again to save the time setting.

3. Get To Know Your Beyond Smart Microwave Oven

The main features of your Beyond Smart Microwave Oven are shown below in Figure 4.

NOTE: Your microwave oven may not match the illustration exactly.



- | | |
|-----------------------------|----------------------------|
| A. Door with Viewing Window | D. Door Release |
| B. Vents (Top of Microwave) | E. Turntable |
| C. Control Panel | F. Safety Interlock System |

Figure 4. Main features of the Beyond Smart Microwave Oven

Control Panel

The control panel for your Beyond Smart Microwave Oven is shown in Figure 5, below. Control Panel push buttons and features are described in Table 1, immediately following.

1. Power Level Selector
2. Number Pad
3. START
4. STOP/CANCEL
5. DEFROST
6. Display Window
7. Scanning Wand
8. Home Code Selector
9. SCAN
10. ADD A MINUTE
11. CLOCK

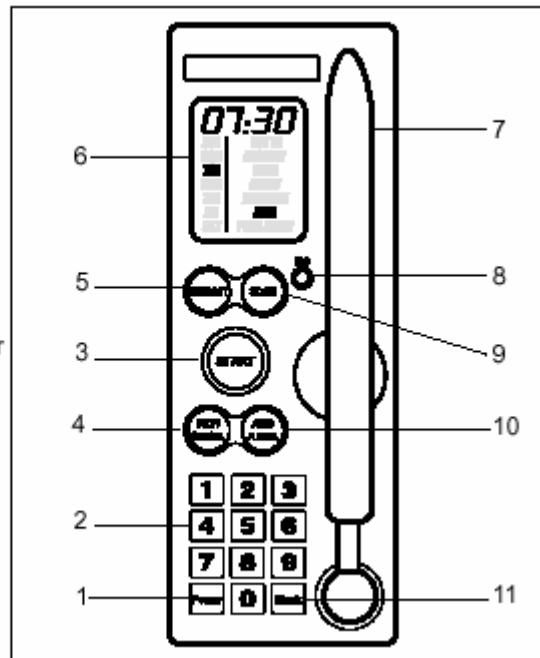


Figure 5. Beyond Smart Microwave oven Control Panel

Table 1. Beyond Smart Microwave Oven Control Panel

Figure No.	Push Button or Feature	Function
1	POWER	<p>Press POWER to select a power setting. The default setting is P-10, the highest power setting. Pressing POWER repeatedly causes the power setting to decrease one level at a time, from P-10 (highest) to P-1 (lowest). To change levels more rapidly, press and hold POWER until you reach the desired level.</p> <p>During oven operation, pressing POWER will cause the current power level to appear briefly on the display.</p>
2	Number Pad	<p>The number pad allows you to enter digits for time or weight depending on which oven mode or function is needed.</p> <ul style="list-style-type: none"> ▪ To set the clock, please refer to the section Set the Clock on page TBD. ▪ Instructions for entering times and weights appear in the Basic Operation and Defrosting sections of this manual.
3	START	Press START to start cooking or to start a program.

Figure No.	Push Button or Feature	Function
4	STOP/CANCEL	Press STOP/CANCEL once to interrupt any oven operation. Press twice to cancel any oven operation or program.
5	DEFROST	Press DEFROST once to use the oven's Auto Defrost function. Press twice to begin Time Defrost. Please refer to Defrosting , on page TBD for detailed instructions on using the defrost function.
6	Display Window	<p>Depending on oven mode and function, the display window shows the time of day, cooking time, food weight, power level, and user prompts such as Press Start or Scan.</p> <p>If the control panel safety lock is activated, LOC appears in the display. Please refer to page TBD for instructions on using the control panel safety lock.</p> <p>The display backlight can be set to be always on or on only when the oven is in use. Please refer to page TBD for instructions on setting backlight operation.</p>
7	Scanning Wand	The scanning feature works only in conjunction with the optional Home Hub Network. Please refer to section: 6. <i>Beyond Smart Microwaving</i> for complete instructions on using the scanning wand and the scan function.
8	HC	The Home Code selector works only in conjunction with the optional Home Hub Network. Please refer to page TBD for instructions on using this feature.
9	SCAN	Press SCAN to initiate the scan function. works only in conjunction with the optional Home Hub Network. Please refer to 6. <i>Beyond Smart Microwaving</i> for complete information on using this feature of your microwave oven.
10	ADD A MIN.	Press ADD A MIN. to add one more minute of cooking at the current power level. This function does not work in defrost mode.
11	Clock	Press CLOCK to set the correct time of day. To set the clock, please refer to the section Set the Clock on page TBD.

Other Important Oven Features

Control Panel Safety Lock

The oven control panel can be locked to prevent inadvertent operation.

To lock the control panel:

- Make sure the oven is not in use. If necessary, clear or stop any functions.
- Press and hold **STOP/CANCEL** for approximately three seconds. **LOC** will appear in the display. The control panel will not function in lock mode.

To unlock the Control Panel:

Press and hold **STOP/CANCEL** for approximately three seconds. The time of day will appear in the display.

Display Backlight On/Off

The display backlight can be set to be always on, or on only during oven operation.

To change the backlight setting, press and hold **0** for approximately 3 - 5 seconds.

Auto Cancel

The oven will automatically clear itself and return to the time of day display if **START** is not pressed within 30 seconds of selecting any other control panel buttons.

Instant On

The oven features one button operation for cooking on high power for one to six minutes in multiples of one minute.

To use the Instant On feature: After placing food on the turntable, simply press **1** to start cooking for one minute, press **2** to cook for two minutes, and so on up to six minutes.

4. Basic Oven Operation

Follow the instructions below for basic heating, reheating and cooking needs.

In a Nutshell:

1. Prepare the food.

Place your food (in a microwave-safe package or container) on the turntable and close the oven door securely.

2. Select a power level.

- Press **POWER** to select the power level.
- **P 10** appears in the display. P-10 is the default and the highest power setting
- If you want to reduce the power level, press **POWER** repeatedly until you reach the desired level. Each power level will appear in the display counting down from P-10 to P-1.

3. Next, set the cooking time.

Use the digits on the number pad to enter a cooking time.

4. Start Cooking.

- Press **START** to start cooking. The display shows the time remaining.
- You can interrupt cooking at any time by pressing **STOP/CANCEL**.
- You can cancel cooking by pressing **STOP/CANCEL** two times.

5. Use the Instant On feature.

You may also enter the cooking time in multiples of 1 minute by pressing a number from 1 to 6. The oven will begin cooking immediately.

Basic Heating/Reheating

- Please refer to Figure 5, page TBD, for an illustration of the control pad.
- Please refer to the Appendix, page TBD, for recommended heating/cooking times and power settings for many typical foods and beverages.
- When preparing packaged food, follow the instruction on the label for container preparation, power setting and cooking time, EXCEPT, disregard instructions to rotate containers midway through cooking as the turntable makes this unnecessary.
- Avoid using containers with metallic parts or finishes, including twist ties with metal wires.
- Cover foods loosely with paper towels or plastic wrap to avoid splatters.

For basic heating, reheating, and cooking:

1. Place the food (in a microwave-safe container or package) on the center of the turntable. Close the oven door securely.

2. Press **POWER** to select the desired power setting. **P 10** will appear in the display. Pressing **POWER** repeatedly will reduce the power setting one level at a time from P10 (highest) to P1 (lowest).
3. Enter the desired cooking time by pressing the digits on the number pad. For example, to select two minutes and ten seconds, press in sequence: **2** **1** **0**. The digits you select will appear at the top of the display while the prompt **PRESS START** flashes in the lower half of the display.

If you make a mistake or decide to change the cooking time, press **STOP/CANCEL** one time and re-enter the desired cooking time.

4. Press **START** to begin cooking. The display will show the remaining cooking time, counting down continuously. When the full cooking time has elapsed, the oven will beep four times and the time of day will reappear on the display.
5. Press the door release to open the door and remove your food.
6. If the food needs to cook longer, you may follow the steps above, selecting a power level and cooking time. Or, simply press **ADD A MIN.** to add one more minute of cooking time at high power.

NOTE:

- You may interrupt cooking at any time by pressing the door release or by pressing **STOP/CANCEL** one time. To resume cooking, close the door and press **START**.
- To cancel the program completely, press **STOP/CANCEL** twice.
- While the oven is in operation you may view the clock by pressing **CLOCK**. The time of day will be displayed for a few seconds, then the cooking time will reappear.
- While the oven is in operation you may view the current power level by pressing **POWER**. The power level will be displayed for a few seconds, then the cooking time will reappear.

5. Defrosting

The Beyond Smart Microwave Oven has two defrost modes: **Auto Defrost** and **Time Defrost**. Use Auto Defrost to thaw food based on weight. Use Time Defrost to thaw for a specified amount of time.

Auto Defrost

The Beyond Smart Microwave Oven automatically calculates the correct defrosting time and power level based on the weight of the frozen food.

The maximum food weight that can be entered is six pounds. If a higher weight is entered, the oven will beep twice and the display will return to the time of day.

To Auto Defrost:

1. The frozen food must be in a microwave-save package or container. Be sure to remove twist ties that contain metal wire. Place the frozen food on the turntable and close the oven door securely.
2. Press **DEFROST** one time. The display will flash **0.0**.
3. Using the number pad, enter the weight of the frozen food in pounds and decimal fractions of a pound. Please refer to the table below for sample entries.

If the food weighs	Press	Display Reads
$\frac{1}{4}$ pound = .25 pounds = 4 ounces	<input type="text" value="2"/>	0.2
$\frac{1}{2}$ pound = .50 pounds = 8 ounces	<input type="text" value="5"/>	0.5
$\frac{3}{4}$ pound = .75 pounds = 12 ounces	<input type="text" value="7"/>	0.7
1 pound = 1.0 pounds = 16 ounces	<input type="text" value="1"/> <input type="text" value="0"/>	1.0
1 $\frac{1}{4}$ pounds = 1.25 pounds = 20 ounces	<input type="text" value="1"/> <input type="text" value="2"/>	1.2
1 $\frac{1}{2}$ pounds = 1.50 pounds = 24 ounces	<input type="text" value="1"/> <input type="text" value="5"/>	1.5

4. Press **START** to begin defrosting. The defrost time (minutes : seconds) will appear in the display and begin counting down. When the timer reaches 0:00 the oven will shut off and beep four times. The time of day will reappear on the display.
5. The oven will beep twice periodically during the cooking time. This is to remind you to temporarily interrupt defrosting to turn the food over, stir, or break into smaller pieces, as appropriate. The oven will continue to defrost until the time is elapsed.

To temporarily interrupt defrosting:

- Press the door release or press **STOP/CANCEL** one time.
 - Turn the food over, stir, or break into smaller pieces, as appropriate.
 - Close the oven door and press **START** to resume defrosting.
6. At the end of the defrost cycle, the oven will beep four times and the time of day will reappear in the display. Press the door release to open the door and remove the food. If the food

needs to defrost longer, stir or turn over, as appropriate and follow the Time Defrost instructions below.

Time Defrost

To defrost food for a specified time:

1. The frozen food must be in a microwave-safe package or container. Be sure to remove twist ties that contain metal wire. Place the frozen food on the turntable and close the oven door securely.
2. Press **DEFROST** twice. The display will flash **0:00**.
3. Enter the desired defrost time using the digits on the number pad.
4. Press **START**.
5. The oven will beep twice periodically during the cooking time. This is to remind you to temporarily interrupt defrosting to turn the food over, stir, or break into smaller pieces, as appropriate. The oven will continue to defrost until the time is elapsed.

To temporarily interrupt defrosting:

- Press the door release or press **STOP/CANCEL** one time.
 - Turn the food over, stir, or break into smaller pieces, as appropriate.
6. Close the oven door and press **START** to resume defrosting.
 7. At the end of the defrost cycle, the oven will beep four times and the time of day will reappear in the display. Press the door release to open the door and remove the food.

Defrosting Tips:

- During the defrost cycle, solid foods may need to be turned over and/or broken into smaller chunks and liquids may need to be stirred once or twice during the defrosting process.

As a reminder, the oven will beep twice periodically during the defrost cycle. However, the oven will continue to defrost unless interrupted.
- When defrosting food that has been stored in plastic containers: thaw only until the food will slide out of the plastic container. Transfer the food to a microwave-proof container and continue defrosting.
- To interrupt the defrost cycle at any time, either press **STOP/CANCEL** one time, or open the oven door. Stir, or turn over the frozen food as appropriate.
- To resume defrosting, close the oven door and press **START**.

6. Beyond Smart Microwaving

When connected to the Home Hub Network, your Beyond Smart Microwave Oven takes you beyond simple reheating and defrosting to fully automated microwave cooking. Your Beyond Smart Microwave Oven is pre-programmed to perfectly prepare over 4000 packaged foods. This feature takes the guess work out of microwaving packaged foods that require multiple power settings and cooking times.

The oven's scanning wand is used to read the barcode on a package of microwavable food. The oven then searches its database for the cooking time and power setting that corresponds to the barcode. The oven's display lists package ingredients and prompts you for any the steps that you need to perform.

Your Beyond Smart Microwave Oven can automatically update its recipe database on a daily basis, self-diagnose technical problems and alert the Beyond Smart Customer Service Center for parts and service.

What is the Home Hub?

The Home Hub, disguised as an unassuming bedside alarm clock, is actually the central command center for all the Beyond Smart appliances in your home. Appliances exchange information with the Home Hub automatically, "behind the scenes" without any extra effort on your part, using the existing electrical wiring in your home.

The Home Hub communicates with the Beyond Smart Customer Service Center via an Internet connection.

Using the Scanning Function

Use the scanning function to have the oven automatically set the ideal cooking time and power settings for packaged, microwaveable foods.

To use the scanning function:

1. Locate the barcode on the package of food that you wish to prepare. On the oven control panel, press **SCAN**. A red light will come on in the end of the scanning wand.
2. Hold the scanning wand as you would hold a pencil. Place the lighted end of the wand against the package and to the left of the barcode.
3. Using a steady sweeping motion, move the wand across the bar code from left to right and from right to left. Be sure to scan the *entire* barcode.



Figure 6 Scan the entire from barcode beginning outside the left edge

4. The oven will automatically search its database for the cooking time and power setting that correspond to the barcode. If the oven finds the barcode, it programs itself to cook the food.
5. Follow instructions on the oven display for any the steps that you need to perform.
6. Press **START** to begin cooking.
7. At the end of the cooking time, the oven will beep four times and the time of day will reappear in the display. Press the door release to open the door and remove the food.

Using the Learn Function

Your Beyond Smart Microwave Oven can “learn” to prepare foods that are not already in its database:

- You can manually enter and save a new cooking program.
- You can ask the oven to search for and download new cooking programs from the Home Hub Network.

Manually Entering a New Cooking Program

When you scan a barcode that’s not already in the oven’s database, the message **NOT IN MEMORY** appears on the display. If this happens, you can use the Learn function to manually enter and save the required cooking program to the oven’s database.

To manually add a new cooking program to the oven’s database:

8. Press **LEARN**. The red light at the end of the scanning wand will illuminate. Scan the barcode on the package. (Please refer to Figure 6 for scanning procedure.)
9. Following the prompts on the oven’s display, use the number pad to enter the weight of the food, the desired power setting, and cooking time.
10. When you’re finished entering the cooking program, press **LEARN** again to store the recipe in the oven’s memory.

The next time you scan another package of the same food, the oven will automatically program itself to cook the food according to the instructions that you entered.

Using the Learn Function to Customize Cooking Programs

Follow the steps in the preceding section if you wish to customize the oven’s pre-programmed cooking methods. Cooking instructions that you enter using the Learn function take priority over pre-programmed cooking instructions.

Using the Learn Function to Download Recipes from the Home Hub Network

If you scan a barcode that’s not in the oven’s database:

- The message **NOT IN MEMORY** appears in the display.

- Once each day, the Beyond Smart Microwave Oven automatically connects to the Home Hub Network to download cooking programs for all NOT IN MEMORY barcodes.

You can utilize this Smart feature by having the oven automatically download and save cooking programs for your favorite foods.

To have to cooking programs automatically downloaded from the Home Hub Network:

1. Press **LEARN**. The red light at the end of the scanning wand will illuminate.
2. Scan the barcode on the package. (Please refer to Figure 6 for scanning procedure.)
3. Press **CANCEL**.
4. Once every 24 hours, your Beyond Smart Microwave Oven will automatically contact the Home Hub Network to download and save cooking programs for all scanned barcodes that were not previously stored in the oven's database.

7. Maintenance

Cleaning and Care

Routine cleaning will enhance the performance and reliability of your Beyond Smart Microwave Oven.

- Wipe spills and splatters from the interior immediately to avoid arcing.
- Clean all oven surfaces with soft, lint-free cloths and mild detergent.
- Wash the turntable roller ring by hand.
- The glass turntable may be washed in the dishwasher.

NOTE:

- Never use any type of chemicals, solvents or abrasive cleaners on any oven surface.
- Unplug the oven before cleaning exterior surfaces or vents. - OR - Clean with the oven door open to prevent the oven from accidentally turning on.

After Cleaning

- Be sure to replace the turntable and turntable support in the proper position.
- If necessary, press **STOP/CANCEL** to clear the display.
- If the oven was unplugged, plug it back in and reset the clock.

Table 2. Cleaning and Care of the Beyond Smart Microwave Oven

Surface	Cleaning Procedure
Door	Wipe the window on both sides with a damp cloth to remove any spills or splatters. Do not use any type of abrasive cleaner. Gently wipe around the inside of the door frame, seals, latches, and hinges to remove any food particles and condensation.
Exterior	Clean with mild soap and water; rinse and dry with a soft cloth. Do not use any type of abrasive cleaner.
Interior	Clean with mild soap and water; rinse and dry with a soft cloth. Do not use any type of abrasive cleaner. For heavier soil, use baking soda or a mild soap; rinse thoroughly with hot water. NEVER USE OVEN CLEANERS INTENDED FOR CONVENTIONAL OVENS.
Odor Removal	To remove odors: combine 1 cup water, grated peel and juice of 1 lemon and several whole cloves in a 2 cup glass measuring cup. Boil for several minutes using 100% power. Allow to set in oven until cool. Wipe interior with a soft cloth.

Surface	Cleaning Procedure
Control Panel	Open the oven door before cleaning. GENTLY wipe the panel with a slightly dampened cloth. Dry with a soft cloth. Do not scrub or use any detergents, solvents, chemicals or abrasive cleaners. Close the oven door and press STOP/CLEAR .
Turntable and Turntable Support	The turntable and turntable Support can be removed for easy cleaning. Wash them in mild, sudsy water; for stubborn stains use a mild cleanser and scouring sponge as described above.
Wave Guide Cover	The wave guide cover is a light brown mica panel located on the right side of the oven interior. Carefully clean with mild soap and water; rinse and dry with a soft cloth. Do not use any type of abrasive cleaner. Do not remove the wave guide cover.
Vents	To maintain efficient cooling and ventilation, do not allow dust to accumulate on the vents and air intake (located on the rear of the oven). To keep them clean, use a sponge dampen with warm soapy water to clear away

Replacing the Line Fuse

Need procedure.

Replacing the Interior Light Bulb

Need procedure.

Ordering Accessories and Books

Need procedure.

8. Troubleshooting

Problem	Possible Cause	Remedy
Oven will not turn on.	The oven is not plugged in securely	Remove plug from outlet, wait. 10 seconds and reinsert.
	Circuit breaker or fuse is tripped or blown	Reset circuit breaker or replace fuse.
	There is a problem with the outlet	Plug another appliance into the outlet, to check if it is working.
	The clock is not set properly	Press STOP/CANCEL twice. Set the clock according to the directions on page TBD.
Oven will not start cooking.	The door is not closed completely.	Close the oven door securely.
	START was not pressed after programming.	Press START .
	Another program is already entered into the oven	Press STOP/CANCEL twice to cancel the previous program and enter new program.
	The program is not correct.	Program again according to the Operating Instructions.
	STOP/CANCEL has been pressed accidentally	Program oven again.
The turntable wobbles.	The turntable is not positioned properly on the roller ring or there is food under the roller ring.	Take out the turntable and roller ring. Wipe with a damp cloth and reinstall the roller ring and turntable properly
When the oven is operating, there is noise coming from the glass tray.	The roller ring and oven bottom are dirty.	Clean these parts according to the instructions on page TBD
The word LOC appears in the display.	The safety lock is activated.	Deactivate the safety lock by pressing and holding STOP/CANCEL for 3 seconds.

Contacting Customer Relations

Address:	Toastmaster, Inc., P.O. Box 6916, Columbia, MO 65205-6916
Phone:	1(800) 947-3744
E-mail:	Consumer_Relations@Toastmaster.com
Web site:	www.toastmaster.com

9. Technical Specifications

Power source	120V, 60 Hz
Power consumption	11.5 Amps, 1,320 W
Output	850 Watts
Operating frequency	2450 MHz
Internal dimensions	(337mm x 363 mm x 215 mm)
Outside dimensions	(516 mm x 393 mm x 307mm)
Net Weight	16.6 kg

NOTE: Specifications subject to change without notice.

10. LIMITED ONE YEAR WARRANTY

Warranty: This Toastmaster® product is warranted to be free from defects in materials or workmanship

for a period of (1) year from the original purchase date. This product warranty covers only the original consumer purchaser of the product.

Warranty Coverage: This warranty is void if the product has been damaged by accident in shipment, unreasonable use, misuse, neglect, improper service, commercial use, repairs by unauthorized personnel, normal wear and tear, improper assembly, installation or maintenance abuse or other causes not arising out of defects in materials or workmanship. This warranty is effective only if the product is purchased and operated in the USA, and does not extend to any units which have been used in violation of written instructions furnished with the product or to units which have been altered or modified or to damage to products or parts thereof which have had the serial number removed, altered, defaced or rendered illegible.

Implied Warranties: ANY IMPLIED WARRANTIES WHICH THE PURCHASER MAY HAVE ARE LIMITED IN DURATION TO ONE (1) YEAR FROM THE DATE OF PURCHASE. Some states do not allow limitations on how long an implied warranty lasts, so the above limitation may not apply to you.

Warranty Performance: During the above one-year warranty period, a product with a defect will be either repaired or replaced with a reconditioned comparable model (at our option) when the product is returned to the Repair Center, or the purchase price refunded. The repaired or replacement product will be in warranty for the balance of the one-year warranty period and an additional one-month period. No charge will be made for such repair or replacement.

Service and Repair: Should the appliance malfunction, you should first call toll-free 1 (800) 947-3744 between the hours of 9:00 am and 5:00 pm Central Standard Time and ask for CONSUMER SERVICE stating that you are a consumer with a problem. Please refer to model number TMW1 when you call.

In-Warranty Service (USA): For an appliance covered under the warranty period, no charge is made for service or postage. Call for return authorization (1 800 947-3744).

Out-of Warranty Service: A flat rate charge by model is made for out-of-warranty service. Include \$10.00 (U.S.) for return shipping and handling. We will notify you by mail of the amount of the charge for service and require you to pay in advance for the repair or replacement.

For Products Purchased in the USA, but Used in Canada: You may return the product insured, packaged with sufficient protection, and postage and insurance prepaid to the USA address listed below. Please note that all customs duty / brokerage fees, if any, must be paid by you and we will require you to pay the cost of customs duty / brokerage fees to us in advance of our performing any service.

Risk During Shipment: We cannot assume responsibility for loss or damage during incoming shipment. For your protection, carefully package the product for shipment and insure it with the carrier. Be sure to enclose the following items with your appliance: any accessories related to your problem, your full return address and daytime phone number, a note describing the problem you experienced, a copy of your sales receipt or other proof of purchase to determine warranty status. C.O.D. shipments cannot be accepted.

To return the appliance, ship to:

Attn: Repair Center
708 South Missouri Street
Macon, MO 63552

To contact us, please write to or call:

P.O. Box 6916
Columbia, MO 65205-6916
1(800) 947-3744

Email: Consumer_Relations@Toastmaster.com
Web site: www.Toastmaster.com

Limitation of Remedies: No representative or person is authorized to assume for Salton, Inc. any other liability in connection with the sale of our products. There shall be no claims for defects or failure of performance or product failure under any theory of tort, contract or commercial law including, but not limited to negligence, gross negligence, strict liability, breach of warranty and breach of contract. Repair, replacement or refund shall be the sole remedy of the purchaser under this warranty, and **in no event shall we be liable for any incidental or consequential damages, losses or expenses**. Some states do not allow the exclusion or limitation of incidental or consequential damages, so the above limitation or exclusion may not apply to you.

Legal Rights: This warranty gives you specific legal rights, and you may also have other rights which vary from state to state.

11. Appendix

Quick reference summary of control pad key and functions.

Cooking and Defrosting Guidelines

Sample recipes

Caution:

When this product is working it maybe produce interference to other household appliance, if the interference appear, please use this product faraway from other household appliance.

12. Index