

# NINA-W15 series

## Stand-alone multiradio modules with Wi-Fi and Bluetooth®

### Data Sheet

#### Abstract

This technical data sheet describes the NINA-W15 series stand-alone multiradio modules. The NINA-W15 modules come with pre-flashed application software, Wi-Fi (802.11b/g/n) and Bluetooth® dual-mode (Bluetooth BR/EDR and Bluetooth Low Energy). The module has a number of important security features embedded, including secure boot, which ensures that only authenticated software can run on the module. This makes NINA-W15 ideal for critical IoT applications where security is important.



**Document Information**

<b>Title</b>	<b>NINA-W15 series</b>	
<b>Subtitle</b>	Stand-alone multiradio modules with Wi-Fi and Bluetooth®	
<b>Document type</b>	Data Sheet	
<b>Document number</b>	UBX-18006647	
<b>Revision and date</b>	R01	05-Mar-2018
<b>Disclosure restriction</b>		

<b>Product Status</b>	<b>Corresponding content status</b>	
<b>Functional Sample</b>	Draft	For functional testing. Revised and supplementary data will be published later.
<b>In Development / Prototype</b>	Objective Specification	Target values. Revised and supplementary data will be published later.
<b>Engineering Sample</b>	Advance Information	Data based on early testing. Revised and supplementary data will be published later.
<b>Initial Production</b>	Early Prod. Information	Data from product verification. Revised and supplementary data may be published later.
<b>Mass Production / End of Life</b>	Production Information	Final product specification.

**This document applies to the following products:**

<b>Product name</b>	<b>Type number</b>	<b>u-blox connectivity software version</b>	<b>PCN reference</b>	<b>Product status</b>
NINA-W151	NINA-W151-00B-00	1.0.0	N/A	Objective Specification
NINA-W152	NINA-W152-00B-00	1.0.0	N/A	Objective Specification

u-blox reserves all rights to this document and the information contained herein. Products, names, logos and designs described herein may in whole or in part be subject to intellectual property rights. Reproduction, use, modification or disclosure to third parties of this document or any part thereof without the express permission of u-blox is strictly prohibited.

The information contained herein is provided "as is" and u-blox assumes no liability for the use of the information. No warranty, either express or implied, is given, including but not limited, with respect to the accuracy, correctness, reliability and fitness for a particular purpose of the information. This document may be revised by u-blox at any time. For most recent documents, visit [www.u-blox.com](http://www.u-blox.com).

Copyright © 2018, u-blox AG.

u-blox is a registered trademark of u-blox Holding AG in the EU and other countries. Arm is the registered trademark of Arm Limited in the EU and other countries.

# Contents

<b>1</b>	<b>Functional description.....</b>	<b>6</b>
1.1	Overview .....	6
1.2	Applications.....	6
1.3	Product features .....	6
1.4	Block diagram.....	7
1.5	Product variants.....	7
1.5.1	NINA-W151.....	7
1.5.2	NINA-W152.....	7
1.6	Radio performance .....	8
1.7	Software options .....	8
1.7.1	AT command support.....	8
1.7.2	Software upgrade .....	8
1.8	MAC addresses.....	9
1.9	Power modes.....	9
<b>2</b>	<b>Interfaces .....</b>	<b>10</b>
2.1	Power supply .....	10
2.1.1	Module supply input (VCC) .....	10
2.1.2	Digital I/O interfaces reference voltage (VCC_IO) .....	10
2.2	Low Power Clock.....	10
2.3	Module reset .....	10
2.4	Boot strapping pins.....	10
2.5	RF antenna interface.....	11
2.5.1	Internal antenna .....	11
2.5.2	External RF antenna interface .....	11
2.6	IO signals.....	12
2.6.1	System status IO signals.....	12
2.6.2	System control IO signals.....	12
2.6.3	UART IO signals.....	12
2.7	Data interfaces .....	12
2.7.1	UART.....	12
2.7.2	RMII .....	13
<b>3</b>	<b>Pin definition .....</b>	<b>14</b>
3.1	Pin assignment .....	14
<b>4</b>	<b>Electrical specifications .....</b>	<b>16</b>
4.1	Absolute maximum ratings .....	16
4.1.1	Maximum ESD ratings .....	16
4.2	Operating conditions .....	16
4.2.1	Operating temperature range.....	16
4.2.2	Supply/Power pins .....	17
4.2.3	RESET_N pin .....	17
4.2.4	LPO clock .....	17

4.2.5	Digital pins .....	18
4.2.6	Current consumption .....	18
4.2.7	Wi-Fi radio characteristics .....	19
4.2.8	Bluetooth radio characteristics .....	19
4.2.9	Bluetooth Low Energy characteristics .....	19
<b>5</b>	<b>Mechanical specifications .....</b>	<b>20</b>
5.1	NINA-W151 Mechanical specification .....	20
5.2	NINA-W152 Mechanical specification .....	21
<b>6</b>	<b>Qualification and approvals .....</b>	<b>22</b>
6.1	Country approvals .....	22
6.2	European Union regulatory compliance .....	22
6.2.1	Radio Equipment Directive (RED) 2014/53/EU .....	22
6.2.2	Compliance with the RoHS directive .....	22
6.3	FCC/IC Compliance .....	22
6.4	Japan radio equipment compliance .....	26
6.5	NCC Taiwan compliance .....	27
6.5.1	Taiwan NCC Warning Statement .....	27
6.5.2	NINA-W151 labeling requirements for end product .....	27
6.5.3	NINA-W152 labeling requirements for end product .....	27
6.6	Safety Compliance .....	28
6.7	Bluetooth qualification information .....	28
<b>7</b>	<b>Antennas .....</b>	<b>29</b>
7.1	Antenna accessories .....	29
7.2	Approved antennas .....	30
7.2.1	Single band antennas .....	30
7.2.2	Dual-band antennas .....	33
7.3	NINA-W152 radiation patterns .....	34
<b>8</b>	<b>Product handling .....</b>	<b>35</b>
8.1	Packaging .....	35
8.1.1	Reels .....	35
8.1.2	Tapes .....	35
8.2	Moisture sensitivity levels .....	37
8.3	Reflow soldering .....	37
8.4	ESD precautions .....	37
<b>9</b>	<b>Labeling and ordering information .....</b>	<b>38</b>
9.1	Product labeling .....	38
9.2	Explanation of codes .....	39
9.3	Ordering information .....	39
	<b>Appendix .....</b>	<b>40</b>
	<b>A Glossary .....</b>	<b>40</b>
	<b>Related documents .....</b>	<b>41</b>

Contact.....42

# 1 Functional description

## 1.1 Overview

The NINA-W15 series is a small stand-alone wireless MCU module suitable for industrial markets where security is important. The NINA-W15 series is a small stand-alone wireless MCU module that integrates a powerful microcontroller (MCU) and a radio for wireless communication. The NINA-W15 modules come with pre-flashed application software, supporting Wi-Fi 802.11b/g/n and dual-mode Bluetooth (Classic Bluetooth v4.2+EDR and Bluetooth Low Energy v4.2) in the 2.4 GHz ISM band. The host system can set up and control the module through the AT command interface. Intended applications include telematics, low power sensors, connected factories, connected buildings (appliances and surveillance), point-of-sales, and health devices. The modules will initially be certified for the US, Europe, and Canada. Certifications for other countries are planned. The modules will be qualified for professional grade operation, supporting an extended temperature range of -40 °C to +85 °C.

## 1.2 Applications

- Internet of Things (IoT)
- Wi-Fi and Bluetooth networks
- Telematics
- Point-of-sales
- Medical and industrial networking
- Access to laptops, mobile phones, and similar consumer devices
- Home/building automation
- Ethernet/Wireless Gateway

## 1.3 Product features

Model	Radio							Interfaces			Features				Security				Grade			
	Wi-Fi IEEE 802.11 version	Wi-Fi output power EIRP [dBm]	Bluetooth BR/EDR v4.2	Bluetooth Low Energy v4.2	Bluetooth output power EIRP [dBm]	Maximum Wi-Fi range [m]	Antenna type	UART	RMII	GPIO	Wi-Fi Station	Wi-Fi Micro access point	Point-to-Point Protocol [PPP]	Extended Data Mode [EDM] <sup>TM</sup>	WPA / WPA2	Enterprise security	Secure MAC [802.11w]*	Secure boot	Standard	Professional	Automotive	
<b>NINA-W151</b>	b/g/n	19	•	•	8	400	P	•	•	•	•	•	•	•	•	•	•	•	•	•	•	•
<b>NINA-W152</b>	b/g/n	19	•	•	8	300	I	•	•	•	•	•	•	•	•	•	•	•	•	•	•	•

\* = Planned features

P = antenna pin

I = internal antenna

Table 1: NINA-W15 series main features summary

## 1.4 Block diagram

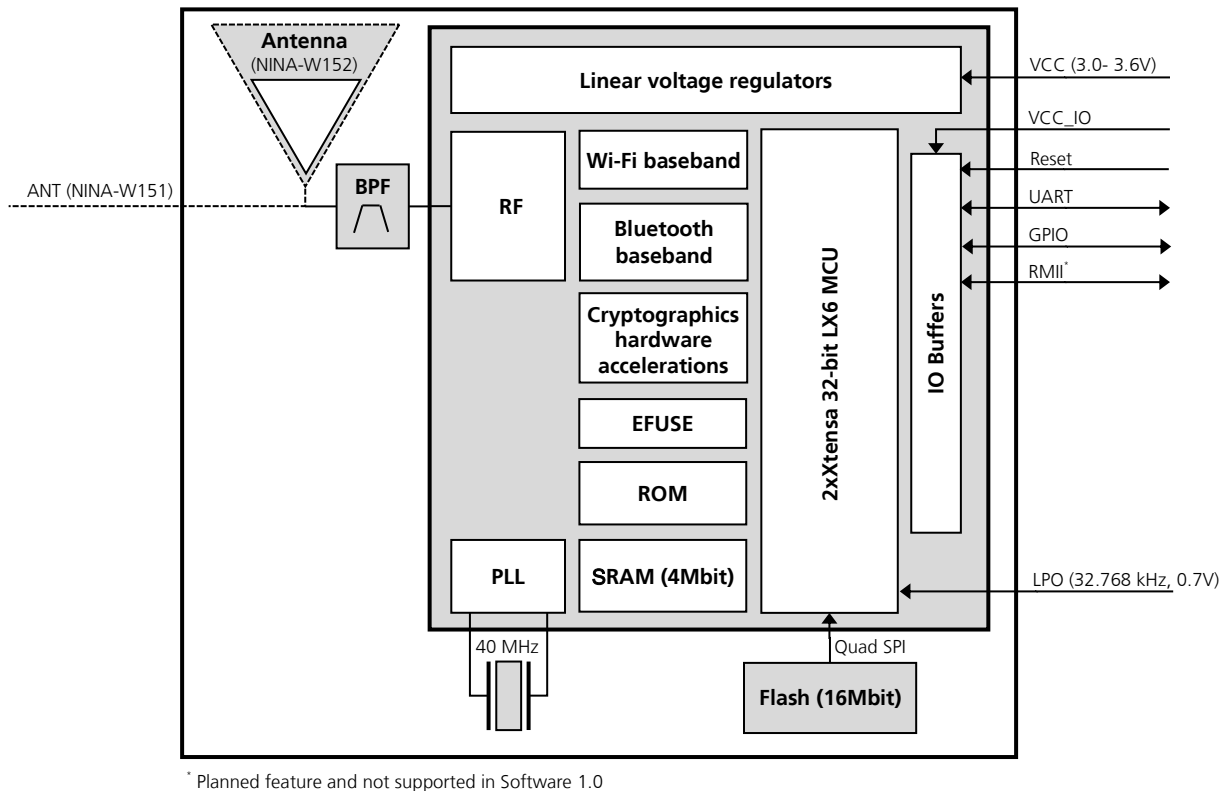


Figure 1: Block diagram of NINA-W15 series

## 1.5 Product variants

The NINA-W15 series modules come with pre-flashed application software, supporting Wi-Fi 802.11b/g/n, Classic Bluetooth v2.1+EDR and Bluetooth Low Energy v4.0 in the 2.4 GHz ISM band. The host system can set up and control the module through the AT command interface. See u-blox Short Range AT Commands Manual [3] for more info about AT commands.

### 1.5.1 NINA-W151

The NINA-W151 modules do not use the internal antenna and thus the PCB outline has been trimmed to 10.0 x 10.6 mm. Instead of an internal antenna, the RF signal is available at a module pin for routing to an external antenna or antenna connector.

### 1.5.2 NINA-W152

The NINA-W152 modules use an integrated antenna mounted on the PCB (10.0 x 14.0 mm). The RF signal pin is not connected to any signal path.

## 1.6 Radio performance

The NINA-W151 and NINA-W152 modules support Wi-Fi and conform to IEEE 802.11b/g/n single-band 2.4 GHz operation, Bluetooth BR/EDR and Bluetooth Low Energy as explained in Table 2.

Wi-Fi	Bluetooth BR/EDR	Bluetooth Low Energy
IEEE 802.11b/g/n	Bluetooth v4.2+EDR Maximum number of slaves: 7	Bluetooth 4.2 BLE dual-mode
Band support 2.4 GHz, channel 1-11	Band support 2.4 GHz, 79 channels	Band support 2.4 GHz, 40 channels
Maximum conducted output power 16 dBm	Maximum conducted output power 5 dBm	Maximum conducted output power 5 dBm
Maximum radiated output power 19 dBm EIRP*	Maximum radiated output power 8 dBm EIRP*	Maximum radiated output power 8 dBm EIRP*
Conducted sensitivity -96 dBm	Conducted sensitivity -90 dBm	Conducted sensitivity -90 dBm
Data rates: IEEE 802.11b: 1 / 2 / 5.5 / 11 Mbit/s IEEE 802.11g: 6 / 9 / 12 / 18 / 24 / 36 / 48 / 54 Mbit/s IEEE 802.11n: MCS 0-7, HT20 (6.5-72 Mbit/s)	Data rates: 1 / 2 / 3 Mbit/s	Data rates: 1 Mbit/s

\* RF power including maximum antenna gain (3 dBi).

**Table 2: NINA-W15 series Wi-Fi and Bluetooth characteristics**

## 1.7 Software options

The NINA-W15 series modules come with the pre-flashed application software, supporting IEEE 802.11b/g/n single-band 2.4 GHz operation, Bluetooth BR/EDR and dual-mode Bluetooth. The host system can set up and control the module through the AT command interface. The NINA-W15 modules provide top grade security, thanks to secure boot, which ensures the module boots up only with original u-blox software. In addition, they will provide end-to-end security on the wireless link with the latest 802.11i (WPA2) standard and enterprise security to provide a secure connection to the infrastructure. This makes NINA-W15 ideal for critical IoT applications where security is important.

### 1.7.1 AT command support

You can configure the NINA-W151 and NINA-W152 modules with the u-blox s-center toolbox software using AT commands. See u-blox Short Range AT Commands Manual [3] for information about supported AT commands.

The s-center evaluation software supporting the AT commands is also available free of charge and can be downloaded from the [u-blox](https://www.u-blox.com) website.

### 1.7.2 Software upgrade

Information on how to upgrade the software for NINA-W15 series is provided in section 2.6.2 and in the NINA-W1 series System Integration Manual [1].



## 1.8 MAC addresses

The NINA-W15 module series has four unique consecutive MAC addresses reserved for each module and the addresses are stored in the configuration memory during production. The first Wi-Fi MAC address is available in the Data Matrix on the label (see section 9.1).

MAC address	Assignment	Last bits of MAC address	Example
Module 1, address 1	Wi-Fi	00	D4:CA:6E:90:04:90
Module 1, address 2	RMII/Ethernet *	01	D4:CA:6E:90:04:91
Module 1, address 3	Bluetooth	10	D4:CA:6E:90:04:92
Module 1, address 4	Reserved	11	D4:CA:6E:90:04:93
Module 2, address 1	Wi-Fi	00	D4:CA:6E:90:04:94
Module 2, address 2	RMII/Ethernet *	01	D4:CA:6E:90:04:95
Module 2, address 3	Bluetooth	10	D4:CA:6E:90:04:96
Module 2, address 4	Reserved	11	D4:CA:6E:90:04:97

\* RMII is a planned functionality not supported in the current software version.

**Table 3: Example MAC addresses assignment for two modules**

## 1.9 Power modes

The NINA-W15 series modules are power efficient devices capable of operating in different power saving modes and configurations. Different sections of the module can be powered off when not needed and complex wake up events can be generated from different external and internal inputs. For the lowest current consumption modes, an external LPO clock is required (see section 2.2).

See the u-blox Short Range AT Commands Manual [3] and NINA-W1 series System Integration Manual [1] for more information about power modes.

## 2 Interfaces

### 2.1 Power supply

The power for NINA-W15 series modules is supplied through **VCC** and **VCC\_IO** pins by DC voltage.



The system power supply circuit must be able to support peak power (add 20% as margin over the listed type current consumption), as during operation, the current drawn from **VCC** and **VCC\_IO** can vary significantly based on the power consumption profile of the Wi-Fi technology.

#### 2.1.1 Module supply input (VCC)

The NINA-W15 series modules use an integrated Linear Voltage converter to transform the supply voltage presented at the **VCC** pin into a stable system voltage.


#### 2.1.2 Digital I/O interfaces reference voltage (VCC\_IO)

All modules in the NINA-W15 series provide an additional voltage supply input for setting the I/O voltage level.

The separate **VCC\_IO** pin enables integration of the module in many applications with different voltage levels (for example, 1.8 V or 3.3 V) without any level converters. The NINA-W15 modules support only 3.3 V as IO voltage level currently.

### 2.2 Low Power Clock

The NINA-W15 series module does not have an internal low power oscillator (LPO), which is required for low power modes. An external 32.768 KHz LPO signal can be supplied externally via the **LPO\_CLK** pin if low power modes are required.

 **The low power clock voltage level is lower (0/0.7 V) compared to the digital signal levels and a voltage divider can be required (see section 4.2.4).**

### 2.3 Module reset

The NINA-W15 series modules can be reset (rebooted) in one of the following ways:

- Low level on the **RESET\_N** pin, which is normally set high by an internal pull-up. This causes “hardware” reset of the module. The **RESET\_N** signal should be driven by an open drain, open collector or contact switch. When **RESET\_N** is low (off), the chip works at the minimum power.



The NINA-W15 series modules can be reset using an AT command (see the u-blox Short Range AT Commands Manual [3]). This causes a “software” reset of the module.

### 2.4 Boot strapping pins

There are several boot configuration pins available on the module that needs to have the correct settings during boot. It is important that they are in the default state (marked with bold in Table 4) during startup for normal operation. The default state is automatically selected (with internal pull-ups or pull-downs) if the pins are left unconnected.

Pin	State during boot	Default	Behavior	Description
36	0		VDD_SDIO=3.3V	Voltage of Internal Flash
	1	<b>10 kΩ pull-up</b>	<b>VDD_SDIO=1.8V (VDD_SDIO should always be 1.8 V)</b>	
27, 25	00		Download Boot	Bootling Mode, see section 1.7 for information about
	01		Reserved, do not use	

Pin	State during boot	Default	Behavior	Description
	10	Pull-up*, Pull-down*	Normal Boot from internal Flash	software upgrade.
	11		Normal Boot from internal Flash	
32	0		Silent	Debugging Log on U0TXD during booting
	1	Pull-up*	U0TXD Toggling	
32, 28	00		Falling-edge input, falling-edge output	Timing of SDIO Slave
	01		Falling-edge input, rising-edge output	
	10		Rising-edge input, falling-edge output	
	11	Pull-up*, Pull-up*	Rising-edge input, rising-edge output	

\* About 30 k $\Omega$

**Table 4: NINA-W15 series boot strapping pins**

## 2.5 RF antenna interface

The RF antenna interface of the NINA-W15 series supports Bluetooth BR/EDR and Bluetooth Low Energy on the same RF antenna signal (the signal is switched between Bluetooth and Wi-Fi as the different RF technologies are never active simultaneously). The module is equipped with a 2.4 GHz bandpass filter between the radio chip and RF antenna interface (see section 1.4).

The NINA-W15 series supports either an internal antenna (NINA-W152) or external antennas connected through an antenna pin (NINA-W151).

### 2.5.1 Internal antenna

The NINA-W152 module has an internal (embedded) 2.4 GHz PIFA antenna. The internal antenna is a PIFA antenna specifically designed and optimized for the NINA form factor.

Keep a minimum clearance of 5 mm between the antenna and the casing. Keep a minimum of 10 mm free space from the metal around the antenna including the area below. If a metal enclosure is required, use NINA-W151 and an external antenna.

It is recommended to place the NINA-W152 modules in such a way that the internal antenna is in the corner of the host PCB (the corner closest to Pin 16 should be in the corner). The antenna side (short side closest to the antenna), positioned along one side of the host PCB ground plane is the second best option. It is beneficial to have a large solid ground plane on the host PCB and have a good grounding on the NINA-W152 module. Minimum ground plane size is 24x30 mm but recommended is more than 50x50 mm.

See NINA-W1 series System Integration Manual [1] for more information about antenna related design.



**The ANT signal is not available on the solder pins of the NINA-W152 module.**

### 2.5.2 External RF antenna interface

The NINA-W151 module has an antenna signal (**ANT**) pin with a characteristic impedance of 50  $\Omega$  for using an external antenna. The antenna signal supports both Tx and Rx.

The external antenna, for example, can be an SMD antenna (or PCB integrated antenna) on the host board. An antenna connector for using an external antenna via a coaxial cable could also be implemented. A cable antenna might be necessary if the module is mounted in a shielded enclosure such as a metal box or cabinet.

An external antenna connector (U.FL. connector) reference design (see NINA-W1 series System Integration Manual [1]) is available and must be followed to comply with the NINA-W1 FCC/IC modular approvals.

Also see the list of approved antennas (section 7.2).

## 2.6 IO signals

### 2.6.1 System status IO signals

The **RED**, **GREEN** and **BLUE** pins are used to signal the status. They are active low and are intended to be routed to an RGB LED. See u-blox Short Range AT Commands Manual [3] for more information about connectivity software signals IOs.

Mode	Status	RGB LED Color	GREEN	BLUE	RED
Data mode	IDLE	Green	LOW	HIGH	HIGH
Command mode	IDLE	Orange	LOW	HIGH	LOW
Data mode, Command mode	CONNECTING*	Purple	HIGH	LOW	LOW
Data mode, Command mode	CONNECTED*	Blue	HIGH	HIGH	LOW

\* = LED flashes on data activity

Table 5: System status indication

### 2.6.2 System control IO signals

The following input signals are used to control the system (see u-blox Short Range AT Commands Manual [3] for more information about connectivity software signals IOs):

- **RESET\_N** is used to reset the system. See section 0 for detailed information.
- If **SWITCH\_2** is driven low during start up, the UART serial settings are restored to their default values.
- **SWITCH\_2** can be used to open a connection to a peripheral device.
- If both **SWITCH\_1** and **SWITCH\_2** are driven low during start up, the system will enter the bootloader mode.
- If both **SWITCH\_1** and **SWITCH\_2** are driven low during start up and held low for 10 seconds, the system will exit the bootloader mode and restore all settings to their factory defaults.

### 2.6.3 UART IO signals

In addition to the normal **RXD**, **TXD**, **CTS**, and **RTS** signals, the NINA-W151/NINA-W152 software adds the **DSR** and **DTR** pins to the UART interface. Note that they are not used as originally intended, but to control the state of the NINA module. Depending on the current configuration, the **DSR pin** can be used to:

- Enter command mode.
- Disconnect and/or toggle connectable status.
- Enable/disable the rest of the UART interface.
- Enter/wake up from sleep mode.

## 2.7 Data interfaces

### 2.7.1 UART

The NINA-W151 and NINA-W152 modules include a 6-wire UART for communication with an application host processor (AT commands, Data communication, and software upgrades).

The following UART signals are available:

- Data lines (**RXD** as input, **TXD** as output)
- Hardware flow control lines (**CTS** as input, **RTS** as output)
- Link status (**DTR** as output, **DSR** as input). The **DTR/DSR** signals behavior is adapted to the u-blox connectivity software functionality and differs from the UART standard, see section 2.6.3 for additional information.
- Programmable baud-rate generator allows most industry standard rates, as well as non-standard rates up to 921600 bps.

- Frame format configuration:
  - 8 data bits
  - Even or no-parity bit
  - 1 stop bit
- Default frame configuration is 8N1, meaning eight (8) data bits, no (N) parity bit, and one (1) stop bit.

## 2.7.2 RMII



**RMII is not supported by the current software but is a planned feature.**

The RMII (Reduced Media-Independent Interface) Ethernet interface is intended for connecting to an external PHY.

### 3 Pin definition

#### 3.1 Pin assignment

The pinout as shown in Figure 2 describes the pin configuration used in the NINA-W151 and NINA-W152 u-blox connectivity software modules.

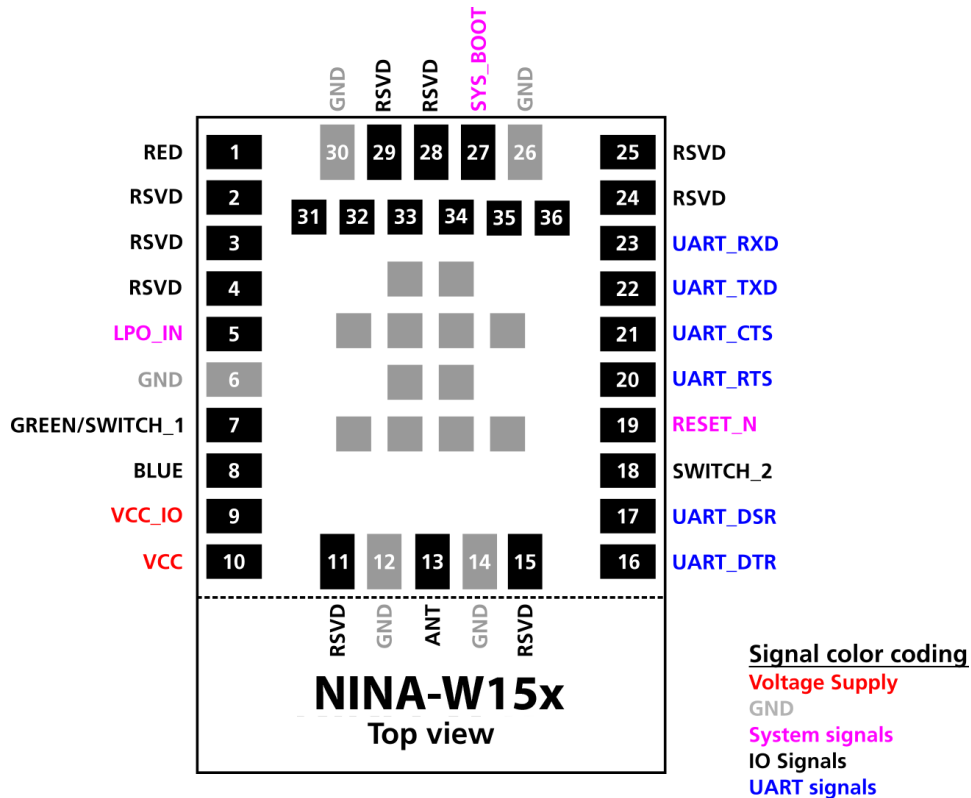



Figure 2: NINA-W15x pin assignment (top view)



The grey pins in the center of the modules are GND pins. The lower part below the dotted line is the antenna part of NINA-W152 and the outline of the NINA-W151 module ends at this line.



Some of the signals are boot strap signals (see Table 6). It is important that these signals are in the correct state during startup (see section 2.4).

Pin	Name	I/O	Description	Alt. Function	Remarks
1	RED	O	Logic Red LED Signal	GPIO_1	See section 0 for more info about IO functionality.
2	RSVD		Reserved for future use.	GPI_2	Do not connect.
3	RSVD		Reserved for future use.	GPI_3	Do not connect.
4	RSVD		Reserved for future use.	GPI_4	Do not connect.
5	LPO_IN	I	Low Power Oscillator Input	GPIO_5	 <b>In LPO_IN mode the signal needs to be 0/0.7 V for example, via an external voltage divider.</b>
6	GND		Ground		
7	GREEN/ SWITCH_1	I/O	GREEN: System status signal / SWITCH_1: Restore UART serial settings / Enter bootloader.	GPIO_7	Active low. See section 0 for more info about IO functionality.
8	BLUE	O	Logic Blue LED Signal.	GPIO_8	See section 0 for more info about IO functionality.
9	VCC_IO	I	Module I/O level voltage input		3.3 V IO voltage supply.
10	VCC	I	Module supply voltage input		3.0-3.6 V module voltage supply.
11	RSVD		Reserved for future use.		Do not connect.
12	GND		Ground		
13	ANT	I/O	Antenna Tx/Rx interface		50 $\Omega$ nominal characteristic impedance
14	GND		Ground		
15	RSVD		Reserved for future use.		Do not connect.
16	UART_DTR	O	UART Data Terminal Ready.	GPIO_16	The DTR signaling is not according to UART standard (see section 2.6.3).
17	UART_DSR	I	UART Data Set Ready.	GPIO_17	The DSR signaling is not according to UART standard (see section 2.6.3).
18	SWITCH_2	I	Connect on external signal / Enter bootloader.	GPIO_18	Active low. See section 0 for more info about IO functionality.
19	RESET_N	I	External system reset input.		Active low.
20	UART_RTS	O	UART request to send.	GPIO_20	Hardware flow control signal. Active low.
21	UART_CTS	I	UART clear to send.	GPIO_21	Hardware flow control signal. Active low.
22	UART_TXD	O	UART data output.	GPIO_22	
23	UART_RXD	I	UART data input.	GPIO_23	
24	RSVD		Reserved for future use.	GPIO_24	
25	RSVD		Reserved for future use.	GPIO_25	Boot strap pin (see section 2.4).
26	GND		Ground		
27	SYS_BOOT		Software download	GPIO_27	Pull low during startup for download software (see section 2.4).
28	RSVD		Reserved for future use.	GPIO_28	Do not connect.
29	RSVD		Reserved for future use.	GPIO_29	Do not connect.
30	GND		Ground		
31	RSVD		Reserved for future use.	GPIO_31	Do not connect.
32	RSVD		Reserved for future use.	GPIO_32	Boot strap pin (see section 2.4).
33	RSVD		Reserved for future use.		Do not connect.
34	RSVD		Reserved for future use.	GPI_34	Do not connect
35	RSVD		Reserved for future use.	GPIO_35	Do not connect.
36	RSVD		Reserved for future use.	GPIO_36	Boot strap pin (see section 2.4).

**Table 6: NINA-W151/NINA-W152 pinout**

## 4 Electrical specifications

**Stressing the device above one or more of the ratings listed in the Absolute maximum rating section may cause permanent damage. These are stress ratings only. Operating the module at these or at any conditions other than those specified in the Operating conditions section of this document should be avoided. Exposure to absolute maximum rating conditions for extended periods may affect device reliability.**

Operating condition ranges define those limits within which the functionality of the device is guaranteed. Where application information is given, it is advisory only and does not form part of the specification.

### 4.1 Absolute maximum ratings

Symbol	Description	Condition	Min	Max	Unit
VCC/ VCC_IO	Module supply voltage	Input DC voltage at VCC and VCC_IO pins	-0.3	3.9	V
$I_{VCC\_MAX} + I_{VCC\_IO\_MAX}$	Absolute maximum power consumption			500	mA
DPV	Digital pin voltage	Input DC voltage at any digital I/O pin	-0.3	3.9	V
P_ANT	Maximum power at receiver	Input RF power at antenna pin		+10	dBm
Tstr	Storage temperature		-40	+85	°C

Table 7: Absolute maximum ratings

**The product is not protected against overvoltage or reversed voltages. If necessary, voltage spikes exceeding the power supply voltage specification, given in table above, must be limited to values within the specified boundaries by using appropriate protection devices.**

#### 4.1.1 Maximum ESD ratings

Parameter	Min.	Typical	Max.	Unit	Remarks
ESD sensitivity			500	V	Human body model according to JEDEC JS001
			250	V	Charged device model according to JESD22-C101

Table 8: Maximum ESD ratings

**NINA-W15 series modules are Electrostatic Sensitive Devices and require special precautions while handling. See section 8.4 for ESD handling instructions.**

### 4.2 Operating conditions

**Operation beyond the specified operating conditions is not recommended and extended exposure beyond them may affect device reliability.**

Unless otherwise specified, all operating condition specifications are at an ambient temperature of 25 °C and at a supply voltage of 3.3 V.

#### 4.2.1 Operating temperature range

Parameter	Min	Max	Unit
Operating temperature	-40	+85	°C

Table 9: Temperature range



## 4.2.2 Supply/Power pins

Symbol	Parameter	Min	Typ	Max	Unit
VCC	Input supply voltage	3.0	3.3	3.6	V
VCC_IO	I/O reference voltage	3.0	3.3	3.6	V

**Table 10: Input characteristics of voltage supply pins**

## 4.2.3 RESET\_N pin

Pin name	Parameter	Min	Typ	Max	Unit
	Low-level input	0		0.3*VCC	V
RESET_N	Internal pull-up resistance		100		k $\Omega$
	Internal capacitance		10		nF
t_Startup	Startup time after release of reset		2.6		s

**Table 11: RESET\_N pin characteristics**

## 4.2.4 LPO clock

The NINA-W15 series module does not have an internal low power oscillator (LPO) required for low power modes. An LPO signal can be supplied to the LPO\_IN pin from an external oscillator if low power modes are required.



**The LPO\_IN clock signal shall be limited to 0/0.7 V; for example, via an external voltage divider.**

Symbol	Parameter	Min	Typ	Max	Unit
LPO <sub>32.768kHz</sub>	Input clock frequency		32.768		kHz
	Input slow clock accuracy (Initial + temp + aging)			±150	ppm
Tr/Tf	Input transition time Tr/Tf -10% to 90%			100	ns
	Frequency input duty cycle	20	50	80	%
V <sub>IH</sub>	Input voltage limits (Square wave, DC-coupled)	0.50	0.7	0.8	V
V <sub>IL</sub>				0.2	V
	Input capacitance			10	pF

**Table 12: External LPO clock characteristics**

## 4.2.5 Digital pins

Pin name	Parameter	Min	Typ	Max	Unit	Remarks	
Any digital pin	Input characteristic: Low-level input	0		0.3*VCC_IO	V		
	Input characteristic: high-level input	0.7*VCC_IO		VCC_IO	V		
	Output characteristic: Low-level output		0		0.4	V	Normal drive strength
			0		0.4	V	High drive strength
	Output characteristic: High-level output		VCC_IO-0.4		VCC_IO	V	Normal drive strength
			VCC_IO-0.4		VCC_IO	V	High drive strength
	Pull-up/pull-down resistance		30		kΩ		
Signals rerouted via the IO MUX	Output signal speed			20	MHz		
	Input signal speed			10	MHz	The GPIO-Matrix delays the input-signals by 2 cycles of the AHB-clock typical 80MHz -> 25 ns delay	

**Table 13: Digital pin characteristics**

## 4.2.6 Current consumption

Typical current consumption (VCC+VCC\_IO) of a NINA-W15 module is provided in Table 14.

Power mode	Activity	Typ	Max	Unit	Remarks
Wi-Fi	Wi-Fi Tx packet 16 dBm	190	320	mA	50% duty cycle
	Wi-Fi Rx and listening	115	140	mA	
Bluetooth	Bluetooth Tx	130	230	mA	Throughput 2.1 Mbit/s
	Bluetooth Rx and listening	130		mA	Throughput 2.1 Mbit/s
Bluetooth Low Energy	Bluetooth Tx	130	225	mA	Throughput 240 kbit/s
	Bluetooth Rx and listening	130		mA	Throughput 240 kbit/s
CPU idle mode	Wi-Fi enabled	115	125	mA	
	Wi-Fi disabled	35	60	mA	

**Table 14: Current consumption during typical use cases**

### 4.2.7 Wi-Fi radio characteristics

 $V_{CC} = 3.3\text{ V}, T_{amb} = 25\text{ }^{\circ}\text{C}$ 

Parameter	Operation Mode	Specification	Unit		
RF Frequency Range	802.11b/g/n	2.400 – 2.500	GHz		
Modulation	802.11b	CCK and DSSS			
	802.11g/n	OFDM			
Supported Data Rates	802.11b	1, 2, 5.5, 11	Mbps		
	802.11g	6, 9, 12, 18, 24, 36, 48, 54	Mbps		
	802.11n	MCS0 - MCS7			
Supported Bandwidth	802.11n	20	MHz		
Supported Guard Interval	802.11n	400, 800	ns		
Conducted Transmit Power (typical)	802.11b	14 ± 1	dBm		
	802.11g/n	16 ± 1	dBm		
Receiver Sensitivity (typical)	802.11b	1 Mbps	-95 ± 2	dBm	
		11 Mbps	-87 ± 2	dBm	
	802.11g	6 Mbps	-91 ± 2	dBm	
		54 Mbps	-73 ± 2	dBm	
	802.11n	20 MHz	MCS0	-90 ± 2	dBm
			MCS7	-70 ± 2	dBm

**Table 15: Wi-Fi radio characteristics**

### 4.2.8 Bluetooth radio characteristics

 $V_{CC} = 3.3\text{ V}, T_{amb} = 25\text{ }^{\circ}\text{C}$ 

Parameter	Operation Mode	Specification	Unit
RF Frequency Range		2.400 – 2.4835	GHz
Supported Modes		Bluetooth v4.2+EDR	
Number of channels		79	
Modulation	1 Mbps	GFSK (BDR)	
	2 Mbps	$\pi/4$ -DQPSK (EDR)	
	3 Mbps	8-DPSK (EDR)	
Conducted Transmit Power (typical)	1 Mbps	5 ± 2	dBm
	2/3 Mbps	5 ± 2	dBm
Receiver Sensitivity (typical)	1 Mbps	-90 ± 2	dBm
	2 Mbps	-88 ± 2	dBm
	3 Mbps	-83 ± 2	dBm

**Table 16: Bluetooth radio characteristics**

### 4.2.9 Bluetooth Low Energy characteristics

 $V_{CC} = 3.3\text{ V}, T_{amb} = 25\text{ }^{\circ}\text{C}$ 

Parameter	Specification	Unit
RF Frequency Range	2.400 – 2.4835	GHz
Supported Modes	Bluetooth v4.2	
Number of channels	40	
Modulation	GFSK	
Transmit Power (typical)	5 ± 2	dBm
Receiver Sensitivity (typical)	-90 ± 2	dBm

**Table 17: Bluetooth Low Energy characteristics**

# 5 Mechanical specifications

## 5.1 NINA-W151 Mechanical specification

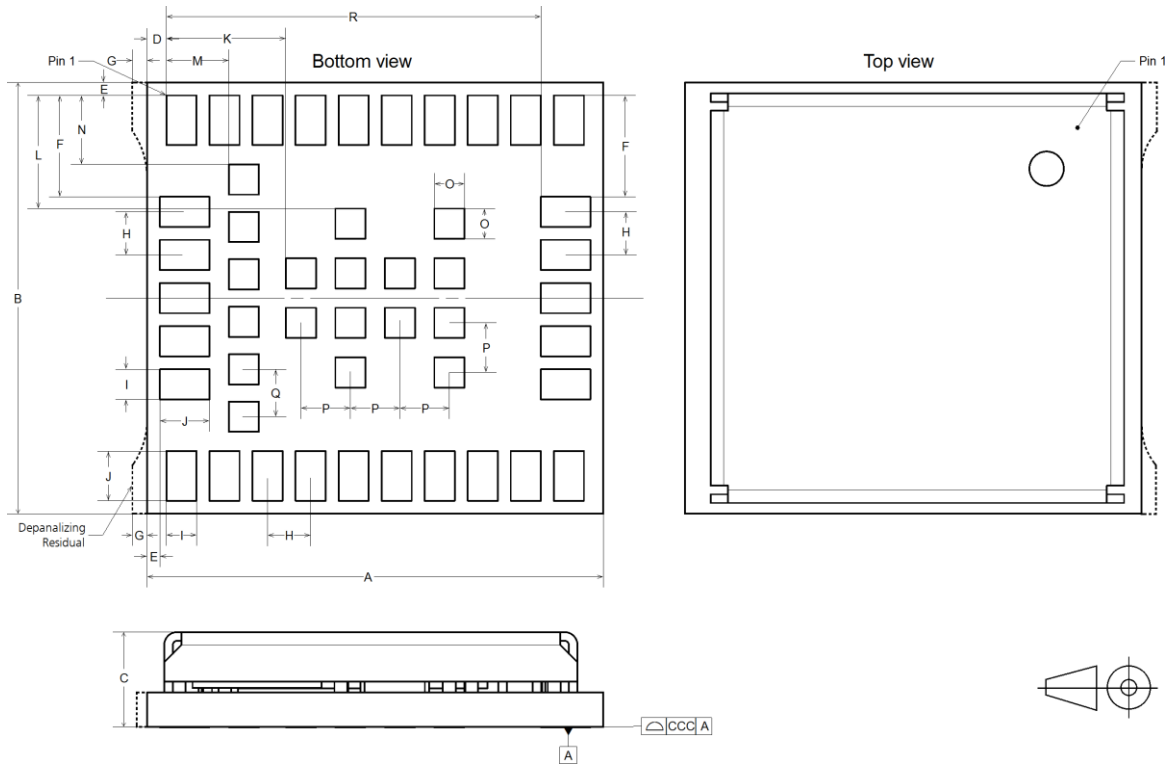


Figure 3: NINA-W151 mechanical outline

Parameter	Description	Typical		Tolerance	
A	Module PCB Length [mm]	10.6	(417.3 mil)	+0.20/-0.10	(+7.9/-3.9 mil)
B	Module PCB Width [mm]	10.0	(393.7 mil)	+0.20/-0.10	(+7.9/-3.9 mil)
C	Module Thickness [mm]	2.2	(86.6 mil)	+0.40/-0.20	(+15.8/-7.9 mil)
ccc	Seating Plane Coplanarity [mm]	0.10	(3.9 mil)	+0.02/-0.10	(+0.8/-3.9 mil)
D	Horizontal Edge to Lateral Pin No 1 Edge [mm]	0.45	(17.7 mil)	+0.10/-0.10	(+3.9/-3.9 mil)
E	Vertical and Horizontal Edge to Lateral Pin No 1 Edge [mm]	0.30	(11.8 mil)	+0.10/-0.10	(+3.9/-3.9 mil)
F	Vertical Pin No1 Edge to Lateral Pin Edge [mm]	2.35	(92.5 mil)	+0.05/-0.05	(+2.0/-2.0 mil)
G	Depanaling Residual [mm]	0.10	(3.9 mil)	+0.25/-0.10	(+9.8/-3.9 mil)
H	Lateral and Antenna Row Pin to Pin Pitch [mm]	1.0	(39.4 mil)	+0.05/-0.05	(+2.0/-2.0 mil)
I	Lateral and Antenna Row Pin Width [mm]	0.70	(27.6 mil)	+0.05/-0.05	(+2.0/-2.0 mil)
J	Lateral and Antenna Row Pin Height [mm]	1.15	(45.3 mil)	+0.05/-0.05	(+2.0/-2.0 mil)
K	Horizontal Pin No1 Edge to Central Pin Edge [mm]	2.78	(109.4 mil)	+0.05/-0.05	(+2.0/-2.0 mil)
L	Vertical Pin No1 Edge to Central Pin Edge [mm]	2.63	(103.5 mil)	+0.05/-0.05	(+2.0/-2.0 mil)
M	Horizontal Pin No1 Edge to Inner Row Pin Edge [mm]	1.45	(57.1 mil)	+0.05/-0.05	(+2.0/-2.0 mil)
N	Vertical Pin No1 Edge to Inner Row Pin Edge [mm]	1.6	(63.0 mil)	+0.05/-0.05	(+2.0/-2.0 mil)
O	Central Pin and Inner Row Width and Height [mm]	0.70	(27.6 mil)	+0.05/-0.05	(+2.0/-2.0 mil)
P	Central Pin to Central Pin Pitch [mm]	1.15	(45.3 mil)	+0.05/-0.05	(+2.0/-2.0 mil)
Q	Inner Row Pin to Pin Pitch [mm]	1.1	(43.3 mil)	+0.05/-0.05	(+2.0/-2.0 mil)
R	Horizontal Pin No1 Edge to Antenna Row Pin Edge [mm]	8.7	(342.5 mil)	+0.05/-0.05	(+2.0/-2.0 mil)
	Module Weight [g]	<1.0			

Table 18: NINA-W151 mechanical outline data

## 5.2 NINA-W152 Mechanical specification

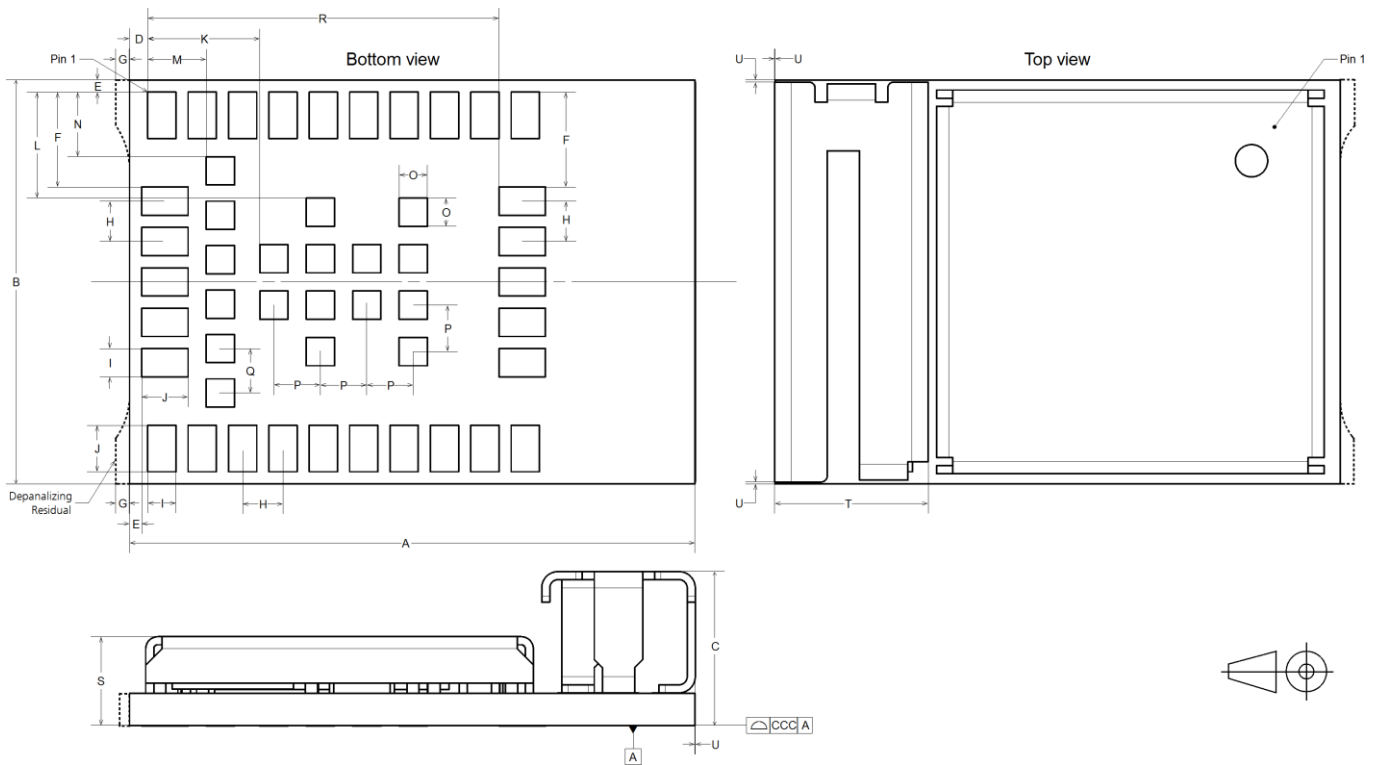


Figure 4: NINA-W152 mechanical outline

Parameter	Description	Typical	Tolerance
<b>A</b>	Module PCB Length [mm]	14.0 (551.2 mil)	+0.20/-0.10 (+7.9/-3.9 mil)
<b>B</b>	Module PCB Width [mm]	10.0 (393.7 mil)	+0.20/-0.10 (+7.9/-3.9 mil)
<b>C</b>	Module Thickness [mm]	3.8 (149.6 mil)	+0.40/-0.20 (+15.8/-7.9 mil)
<b>ccc</b>	Seating Plane Coplanarity [mm]	0.10 (3.9 mil)	+0.02/-0.10 (+0.8/-3.9 mil)
<b>D</b>	Horizontal Edge to Lateral Pin No 1 Edge [mm]	0.45 (17.7 mil)	+0.10/-0.10 (+3.9/-3.9 mil)
<b>E</b>	Vertical and Horizontal Edge to Lateral Pin No 1 Edge [mm]	0.30 (11.8 mil)	+0.10/-0.10 (+3.9/-3.9 mil)
<b>F</b>	Vertical Pin No1 Edge to Lateral Pin Edge [mm]	2.35 (92.5 mil)	+0.05/-0.05 (+2.0/-2.0 mil)
<b>G</b>	Depanaling Residual [mm]	0.10 (3.9 mil)	+0.25/-0.10 (+9.8/-3.9 mil)
<b>H</b>	Lateral and Antenna Row Pin to Pin Pitch [mm]	1.0 (39.4 mil)	+0.05/-0.05 (+2.0/-2.0 mil)
<b>I</b>	Lateral and Antenna Row Pin Width [mm]	0.70 (27.6 mil)	+0.05/-0.05 (+2.0/-2.0 mil)
<b>J</b>	Lateral and Antenna Row Pin Height [mm]	1.15 (45.3 mil)	+0.05/-0.05 (+2.0/-2.0 mil)
<b>K</b>	Horizontal Pin No1 Edge to Central Pin Edge [mm]	2.78 (109.4 mil)	+0.05/-0.05 (+2.0/-2.0 mil)
<b>L</b>	Vertical Pin No1 Edge to Central Pin Edge [mm]	2.63 (103.5 mil)	+0.05/-0.05 (+2.0/-2.0 mil)
<b>M</b>	Horizontal Pin No1 Edge to Inner Row Pin Edge [mm]	1.45 (57.1 mil)	+0.05/-0.05 (+2.0/-2.0 mil)
<b>N</b>	Vertical Pin No1 Edge to Inner Row Pin Edge [mm]	1.6 (63.0 mil)	+0.05/-0.05 (+2.0/-2.0 mil)
<b>O</b>	Central Pin and Inner Row Width and Height [mm]	0.70 (27.6 mil)	+0.05/-0.05 (+2.0/-2.0 mil)
<b>P</b>	Central Pin to Central Pin Pitch [mm]	1.15 (45.3 mil)	+0.05/-0.05 (+2.0/-2.0 mil)
<b>Q</b>	Inner Row Pin to Pin Pitch [mm]	1.1 (43.3 mil)	+0.05/-0.05 (+2.0/-2.0 mil)
<b>R</b>	Horizontal Pin No1 Edge to Antenna Row Pin Edge [mm]	8.7 (342.5 mil)	+0.05/-0.05 (+2.0/-2.0 mil)
<b>S</b>	PCB and Shield Cover Thickness [mm]	2.2 (86.6 mil)	+0.40/-0.20 (+15.8/-7.9 mil)
<b>T</b>	Module Antenna Width [mm]	3.8 (149.6 mil)	+0.20/-0.20 (+7.9/-7.9 mil)
<b>U</b>	Antenna overhang outside module outline on any side [mm]	0.0 (0.0 mil)	+0.60 (+23.6 mil)
	Module Weight [g]	<1.0	

Table 19: NINA-W152 mechanical outline data

## 6 Qualification and approvals

### 6.1 Country approvals

The NINA-W15 module series is certified for use in the following countries/regions:

- Europe (RED)
- Canada (IC)
- USA (FCC)
- Japan (MIC) (pending)
- Taiwan (NCC)

### 6.2 European Union regulatory compliance

Information about regulatory compliance of the European Union for NINA-W15 series modules is available in the NINA-W15 Declaration of Conformity [4].

#### 6.2.1 Radio Equipment Directive (RED) 2014/53/EU

The NINA-W15 series modules will comply with the essential requirements and other relevant provisions of Radio Equipment Directive (RED) 2014/53/EU.

#### 6.2.2 Compliance with the RoHS directive

The NINA-W15 series modules comply with the "Directive 2011/65/EU of the European Parliament and the Council on the Restriction of Use of certain Hazardous Substances in Electrical and Electronic Equipment" (RoHS).

### 6.3 FCC/IC Compliance

This device complies with Part 15 of the FCC Rules and with Industry Canada license-exempt RSS standard(s).

### 6.3.1.1 FCC Compliance

The NINA-W15 modules are for OEM integrations only. The end-product must be professionally installed in such manner that only the authorized antennas can be used.

For NINA-W151, an external antenna connector (U.FL. connector) reference design is available and must be followed to comply with the NINA-W15 FCC/IC modular approval (see the NINA-W1 series System Integration Manual [1]).

### 6.3.1.2 FCC statement

This device complies with Part 15 of the FCC Rules. Operation is subject to the following two conditions:

1. This device may not cause harmful interference, and
2. This device must accept any interference received, including interference that may cause undesired operation.

This equipment has been tested and found to comply with the limits for a Class B digital device, pursuant to Part 15 of the FCC Rules. These limits are designed to provide reasonable protection against harmful interference in a residential installation. This equipment generates, uses and can radiate radio frequency energy and, if not installed and used in accordance with the instructions, may cause harmful interference to radio communications. However, there is no guarantee that the interference will not occur in a particular installation. If this equipment does cause harmful interference to radio or television reception, which can be determined by turning the equipment off and on, the user is encouraged to try to correct the interference by one or more of the following measures:

- Reorient or relocate the receiving antenna
- Increase the separation between the equipment and receiver
- Connect the equipment into an outlet on a circuit different from that to which the receiver is connected.
- Consult the dealer or an experienced radio/TV technician for help.

## 6.3.2 RF-exposure statement

### 6.3.2.1 IC Compliance

This equipment complies with the requirements of IC RSS-102 issue 5 radiation exposure limits set forth for an uncontrolled environment.

Having a separation distance of minimum 30 mm between the user and/or bystander and the antenna and /or radiating element ensures that the output power (e.i.r.p.) of NINA-W151 and NINA-W152 is below the SAR evaluation Exemption limits defined in RSS-102 issue 5.

### 6.3.2.2 FCC Compliance

This device complies with the FCC radiation exposure limits set forth for an uncontrolled environment.

Having a separation distance of minimum 25 mm between the user and/or bystander and the antenna and /or radiating element ensures that max output power of NINA-W151 and NINA-W152 is below the SAR test exclusion limits presented in KDB 447498 D01v06.

### 6.3.3 End-product user manual instructions

#### 6.3.3.1 IC Compliance



User manuals for license-exempt radio apparatus shall contain the following text, or an equivalent notice that shall be displayed in a conspicuous location, either in the user manual or on the device, or both:

This device complies with Industry Canada's license-exempt RSSs. Operation is subject to the following two conditions:

- (1) This device may not cause interference; and
- (2) This device must accept any interference, including interference that may cause undesired operation of the device.

Under Industry Canada regulations, this radio transmitter can only operate using an antenna of a type and maximum (or lesser) gain approved for the transmitter by Industry Canada. To reduce potential radio interference to other users, the antenna type and its gain should be chosen in such a way that the equivalent isotropically radiated power (e.i.r.p.) is not more than that is necessary for successful communication.



Le manuel d'utilisation des appareils radio exempts de licence doit contenir l'énoncé qui suit, ou l'équivalent, à un endroit bien en vue dans le manuel d'utilisation ou sur l'appareil, ou encore aux deux endroits.

Le présent appareil est conforme aux CNR d'Industrie Canada applicables aux appareils radio exempts de licence. L'exploitation est autorisée aux deux conditions suivantes :

- (1) l'appareil ne doit pas produire de brouillage;
- (2) l'utilisateur de l'appareil doit accepter tout brouillage radioélectrique subi, même si le brouillage est susceptible d'en compromettre le fonctionnement.

Conformément aux réglementations d'Industry Canada, cet émetteur radio ne peut fonctionner qu'à l'aide d'une antenne dont le type et le gain maximal (ou minimal) ont été approuvés pour cet émetteur par Industry Canada. Pour réduire le risque d'interférences avec d'autres utilisateurs, il faut choisir le type d'antenne et son gain de telle sorte que la puissance isotrope rayonnée équivalente (p.i.r.e) ne soit pas supérieure à celle requise pour obtenir une communication satisfaisante.

### 6.3.4 End-product labeling requirements

#### 6.3.4.1 IC Compliance

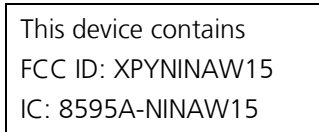
The host product shall be properly labelled to identify the modules within the host product.

The Innovation, Science and Economic Development Canada certification label of a module shall be clearly visible at all times when installed in the host product; otherwise, the host product must be labelled to display the Innovation, Science and Economic Development Canada certification number for the module, preceded by the word "Contains" or similar wording expressing the same meaning, as shown in Figure 5.

Le produit hôte devra être correctement étiqueté, de façon à permettre l'identification des modules qui s'y trouvent.

L'étiquette d'homologation d'un module d'Innovation, Sciences et Développement économique Canada devra être posée sur le produit hôte à un endroit bien en vue, en tout temps. En l'absence d'étiquette, le produit hôte doit porter une étiquette sur laquelle figure le numéro d'homologation du module d'Innovation, Sciences et Développement économique Canada, précédé du mot « contient », ou d'une formulation similaire allant dans le même sens et qui va comme suit:





**Figure 5 Example of an end product label**

### 6.3.4.2 FCC Compliance

For an end product that uses the NINA-W151 or NINA-W152 modules, there must be a label containing, at least, the information shown in Figure 5:

The label must be affixed on an exterior surface of the end product such that it will be visible upon inspection in compliance with the modular approval guidelines developed by the FCC.



In accordance with 47 CFR § 15.19, the end-product shall bear the following statement in a conspicuous location on the device:

"This device complies with Part 15 of the FCC Rules. Operation is subject to the following two conditions;

- (1) this device may not cause harmful interference, and
- (2) this device must accept any interference received, including interference that may cause undesired operation."

When the device is so small or for such use that it is not practicable to place the statement above on it, the information shall be placed in a prominent location in the instruction manual or pamphlet supplied to the user or, alternatively, shall be placed on the container in which the device is marketed.

In case, where the final product will be installed in locations where the end-user is not able to see the FCC ID and/or this statement, the FCC ID and the statement shall also be included in the end-product manual.

Model	FCC ID	ISED Certification Number
NINA-W151	XPNINAW15	8595A-NINAW15
NINA-W152	XPNINAW15	8595A-NINAW15

**Table 20: FCC and ISED Certification Number for the NINA-W15 series modules**

## 6.3.5 End-product compliance

### 6.3.5.1 General requirements

- Any changes to hardware, hosts or co-location configuration may require new radiated emission and SAR evaluation and/or testing.
- The regulatory compliance of NINA-W151 and NINA-W152 does not exempt the end-product from being evaluated against applicable regulatory demands; for example, FCC Part 15B criteria for unintentional radiators.
- Only authorized antenna(s) may be used.
- Any notification to the end user about how to install or remove the integrated radio module is NOT allowed.

### 6.3.5.2 Co-location (simultaneous transmission)

If the module is to be co-located with another transmitter, additional measurements for simultaneous transmission are required.

## 6.4 Japan radio equipment compliance


-  Approvals are pending.  
The Japan certification is pending and the information in this section will be valid and available when the module Japan certification is completed.



Figure 6: Giteki mark,  and the NINA-W15 MIC certification number.

For information about compliance of the NINA-W15 module with the Giteki certification, see the NINA-W1 Series System Integration Manual [1].

## 6.5 NCC Taiwan compliance

### 6.5.1 Taiwan NCC Warning Statement

- 經型式認證合格之低功率射頻電機，非經許可，公司、商號或使用者均不得擅自變更頻率、加大功率或變更原設計之特性及功能。
- 低功率射頻電機之使用不得影響飛航安全及干擾合法通信；經發現有干擾現象時，應立即停用，並改善至無干擾時方得繼續使用。前項合法通信，指依電信法規定作業之無線電通信。低功率射頻電機須忍受合法通信或工業、科學及醫療用電波輻射性電機設備之干擾。

Statement translation:

- Without permission granted by the NCC, any company, enterprise, or user is not allowed to change frequency, enhance transmitting power or alter original characteristic as well as performance to an approved low power radio-frequency devices.
- The low power radio-frequency devices shall not influence aircraft security and interfere legal communications; If found, the user shall cease operating immediately until no interference is achieved. The said legal communications means radio communications is operated in compliance with the Telecommunications Act. The low power radio-frequency devices must be susceptible with the interference from legal communications or ISM radio wave radiated devices.

### 6.5.2 NINA-W151 labeling requirements for end product

When a product integrated with an NINA-W151 module is placed on the Taiwan market, the product must be affixed with a label marking as shown below. The label can use wording such as the following:

#### Contains Transmitter Module

內含發射器模組:  CCAJ18LP0B43T4

or any similar wording that expresses the same meaning may be used. The marking must be visible for inspection.

### 6.5.3 NINA-W152 labeling requirements for end product

When a product integrated with an NINA-W152 module is placed on the Taiwan market, the product must be affixed with a label marking as shown below. The label can use wording such as the following:

#### Contains Transmitter Module


內含發射器模組:  CCAJ18LP0B53T7

or any similar wording that expresses the same meaning may be used. The marking must be visible for inspection.

## 6.6 Safety Compliance

In order to fulfill the safety standard EN 60950-1, the NINA-W15 series modules must be supplied with a Class-2 Limited Power Source.

## 6.7 Bluetooth qualification information

 **Approvals are pending.**  
**The Bluetooth qualification is pending and the information in this section will be valid and available when the qualification is completed.**



® The NINA-W151/NINA-W152 modules have been qualified as a controller subsystem according to the Bluetooth 4.2 specification.

**Figure 7: Bluetooth logo indicating Bluetooth Qualification**

Product type	QD ID	Listing Date
Controller Subsystem	TBD	TBD
Host Subsystem	TBD	TBD
End Product	TBD	TBD

**Table 21: NINA-W151/NINA-W152 Bluetooth QD ID.**



For information on how to list and declare your product, see the NINA-W1 Series System Integration Manual [1].

## 7 Antennas

This chapter gives an overview of the different external antennas that can be used together with the module.

**⚠ This radio transmitter IC: 8595A-NINAW15 has been approved by Industry Canada to operate with the antenna types listed below with the maximum permissible gain and required antenna impedance for each antenna type indicated. Antenna types not included in this list, having a gain greater than the maximum gain indicated for that type, are strictly prohibited for use with this device.**

**⚠ Cet émetteur radio IC: 8595A-NINA-W15 été approuvé par Industry Canada pour fonctionner avec les types d’antenne énumérés ci-dessous avec le gain maximum autorisé et l’impédance nécessaire pour chaque type d’antenne indiqué. Les types d’antenne ne figurant pas dans cette liste et ayant un gain supérieur au gain maximum indiqué pour ce type-là sont strictement interdits d’utilisation avec cet appareil.**

For each antenna, the "Approvals" field defines in which test reports the antenna is included. Definitions of the «Approvals» field are:

- FCC - The antenna is included in the FCC test reports and thus approved for use in countries that accept the FCC radio approvals, primarily US.
- IC - The antenna is included in the IC (Industrie Canada) test reports and thus approved for use in countries that accept the IC radio approvals, primarily Canada.
- RED - The antenna is included in the ETSI test reports and thus approved for use in countries that accept the Radio Equipment Directive, primarily the European countries.
- MIC - The antenna is included in the Japanese government affiliated MIC test reports and thus approved for use in the Japanese market.
- NCC - The antenna is included in the Taiwan NCC test reports and thus approved for use in Taiwan.

In general, antennas with SMD connection, Reverse Polarity SMA connector or U.FL connector are included in FCC, IC, RED, NCC and MIC radio tests. The antennas with SMA connector are included in RED, NCC and MIC radio tests but not in the FCC or IC due to FCC/IC regulations.

The external antennas are connected to the board through U.FL connectors. Some antennas are connected directly to the U.FL connector of the board while some are connected using an SMA or reversed polarity SMA connector through a short U.FL to SMA or reversed polarity SMA adapter cable.

### 7.1 Antenna accessories

Name	U.FL to SMA adapter cable
Connector	U.FL and SMA jack (outer thread and pin receptacle)
Impedance	50 Ω
Minimum cable loss	0.5 dB, The cable loss must be above the minimum cable loss to meet the regulatory requirements. Minimum cable length 100 mm.
Comment	The SMA connector can be mounted in a panel. See NINA-W15 series System Integration Manual [1] for information how to integrate the U.FL connector.
Approval	RED, MIC and NCC



Name		U.FL to Reverse Polarity SMA adapter cable
Connector	U.FL and Reverse Polarity SMA jack (outer thread and pin)	
Impedance	50 $\Omega$	
Minimum cable loss	0.5 dB, The cable loss must be above the minimum cable loss to meet the regulatory requirements. Minimum cable length 100 mm.	
Comment	The Reverse Polarity SMA connector can be mounted in a panel. See NINA-W15 series System Integration Manual [1] for information how to integrate the U.FL connector. It is required to followed this reference design to comply with the NINA-W15 FCC/IC modular approvals.	
Approval	FCC, IC, RED, MIC and NCC	



## 7.2 Approved antennas

### 7.2.1 Single band antennas

NINA-W152	
Manufacturer	ProAnt
Gain	+3 dBi
Impedance	50 $\Omega$
Size (HxWxL)	3.0 x 3.8 x 9.9 mm
Type	PIFA
Comment	SMD PIFA antenna on NINA-W152. Should not be mounted inside a metal enclosure, see section for more info 2.5.1.
Approval	FCC, IC, RED, MIC and NCC



GW.26.0111	
Manufacturer	Taoglas
Polarization	Vertical
Gain	+2.0 dBi
Impedance	50 $\Omega$
Size	$\varnothing$ 7.9 x 30.0 mm
Type	Monopole
Connector	SMA (M) .
Comment	To be mounted on the U.FL to SMA adapter cable.
Approval	FCC, IC, RED, MIC, and NCC



ANT-2.4-CW-RH-RPS	
Manufacturer	Linx
Polarization	Vertical
Gain	-1.0 dBi
Impedance	50 $\Omega$
Size	$\varnothing$ 7.4 x 27.0 mm
Type	Monopole
Connector	Reverse Polarity SMA plug (inner thread and pin receptacle).
Comment	To be mounted on the U.FL to Reverse Polarity SMA adapter cable. An SMA version antenna is also available but not recommended for use (ANT-2.4-CW-RH-SMA).
Approval	FCC, IC, RED, MIC and NCC



**Ex-IT 2400 RP-SMA 28-001**

Manufacturer	ProAnt
Polarization	Vertical
Gain	+3.0 dBi
Impedance	50 $\Omega$
Size	$\varnothing$ 12.0 x 28.0 mm
Type	Monopole
Connector	Reverse Polarity SMA plug (inner thread and pin receptacle).
Comment	This antenna requires to be mounted on a metal ground plane for best performance. To be mounted on the U.FL to Reverse Polarity SMA adapter cable. An SMA version antenna is also available but not recommended for use (Ex-IT 2400 SMA 28-001).
Approval	FCC, IC, RED, MIC and NCC


**Ex-IT 2400 MHF 28**

Manufacturer	ProAnt
Polarization	Vertical
Gain	+2.0 dBi
Impedance	50 $\Omega$
Size	$\varnothing$ 12.0 x 28.0 mm
Type	Monopole
Cable length	100 mm
Connector	U.FL. connector
Comment	This antenna requires to be mounted on a metal ground plane for best performance. To be mounted on a U.FL connector. See NINA-W1 series System Integration Manual [1] for information how to integrate the U.FL connector. It is required to followed this reference design to comply with the NINA -W13 FCC/IC modular approvals.
Approval	FCC, IC, RED, MIC and NCC


**Ex-IT 2400 RP-SMA 70-002**

Manufacturer	ProAnt
Polarization	Vertical
Gain	+3.0 dBi
Impedance	50 $\Omega$
Size	$\varnothing$ 10 x 83 mm
Type	Monopole
Connector	Reverse Polarity SMA plug (inner thread and pin receptacle)
Comment	To be mounted on the U.FL to Reverse Polarity SMA adapter cable. An SMA version antenna is also available but not recommended for use (Ex-IT 2400 SMA 70-002).
Approval	FCC, IC, RED, MIC and NCC



**Ex-IT 2400 MHF 70-001**

Manufacturer	ProAnt
Polarization	Vertical
Gain	+3.0 dBi
Impedance	50 $\Omega$
Size	$\varnothing$ 9.4 x 70.5 mm
Type	Monopole
Cable length	100 mm
Connector	U.FL. connector
Comment	To be mounted on a U.FL connector. See NINA-W1 series System Integration Manual [1] for information how to integrate the U.FL connector. It is required to followed this reference design to comply with the NINA-W1 FCC/IC modular approvals.
Approval	FCC, IC, RED, MIC and NCC


**InSide-2400**

Manufacturer	ProAnt
Gain	+3.0 dBi
Impedance	50 $\Omega$
Size	27 x 12 mm (triangular)
Type	Patch
Cable length	100 mm
Connector	U.FL. connector
Comment	Should be attached to a plastic enclosure or part for best performance. To be mounted on a U.FL connector. See NINA-W1 series System Integration Manual [1] for information how to integrate the U.FL connector. It is required to followed this reference design to comply with the NINA-W15 FCC/IC modular approvals.
Approval	FCC, IC, RED, MIC and NCC


**FlatWhip-2400**

Manufacturer	ProAnt
Gain	+3.0 dBi
Impedance	50 $\Omega$
Size	$\varnothing$ 50.0 x 30.0 mm
Type	Monopole
Connector	SMA plug (inner thread and pin)
Comment	To be mounted on the U.FL to SMA adapter cable.
Approval	RED, MIC and NCC





**Outside-2400**

Manufacturer	ProAnt
Gain	+3.0 dBi
Impedance	50 $\Omega$
Size	36.0 x 18.0 x 16.0 mm
Type	Patch
Cable length	70 mm
Connector	U.FL. connector
Comment	To be mounted on a U.FL connector. See NINA-W1 series System Integration Manual [1] for information how to integrate the U.FL connector. It is required to followed this reference design to comply with the NINA-W15 FCC/IC modular approvals.
Approval	FCC, IC, RED, MIC and NCC



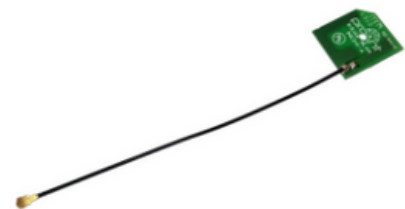
## 7.2.2 Dual-band antennas

**InSide-WLAN**

Manufacturer	ProAnt
Gain	+3.0 dBi
Impedance	50 $\Omega$
Size	27 x 12 mm (triangular)
Type	Patch
Cable length	100 mm
Connector	U.FL. connector
Comment	Should be attached to a plastic enclosure or part for best performance. Dual-band (2.4 GHz / 5 GHz) antenna to be mounted on a U.FL connector. See NINA-W1 series System Integration Manual [1] for information how to integrate the U.FL connector. It is required to followed this reference design to comply with the NINA-W15 FCC/IC modular approvals.
Approval	FCC, IC, RED, MIC and NCC


**InSide-WLAN Square**

Manufacturer	ProAnt
Gain	+3.0 dBi
Impedance	50 $\Omega$
Size	24x22x1 mm with mounting hole
Type	Patch
Cable length	100 mm
Connector	U.FL. connector
Comment	Should be attached to a plastic enclosure or part for best performance. Dual-band (2.4 GHz / 5 GHz) antenna to be mounted on a U.FL connector. See NINA-W1 series System Integration Manual [1] for information on how to integrate the U.FL connector. It is required to followed this reference design to comply with the NINA-W15 FCC/IC modular approvals.
Approval	FCC, IC, RED, MIC and NCC



**Ex-IT WLAN RPSMA**

Manufacturer	ProAnt
Type	½ wave dipole dual-band antenna
Polarization	Vertical
Gain	+3 dBi
Impedance	50 Ω
Size	107 mm (Straight)
Type	Monopole
Connector	Reverse Polarity SMA plug (inner thread and pin receptacle)
Comment	To be mounted on the U.FL to Reverse Polarity SMA adapter cable.
Approval	FCC, IC, RED, MIC and NCC



### 7.3 NINA-W152 radiation patterns

The below radiation patterns show the relative output power of an EVB-NINA-W152 transmitting at 0 dBm output power. Both horizontal and vertical antenna polarizations were used. The NINA-W15 module was rotated 360° around the azimuth axis while being kept at 0°, 90° and 180° elevation as shown in Figure 8.

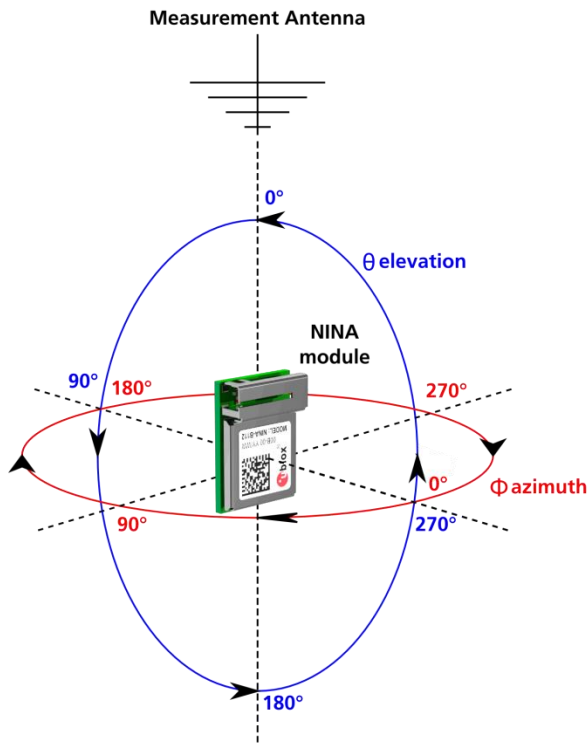


Figure 8: Azimuth and elevation rotation axes relative to the measurement antenna

## 8 Product handling

### 8.1 Packaging

 The NINA-W15 series modules are in development status as mentioned in the table on page 2. Hence, the information in this section will be valid and available only when the module is fully tested and approved in the Initial Production stage.

#### 8.1.1 Reels

The NINA-W15 series modules are delivered as hermetically sealed, reeled tapes to enable efficient production, production lot set-up and tear-down. For more information about packaging, see the u-blox Package Information Guide [2].

NINA-W15 modules are deliverable in quantities of 500 pieces on a reel. The reel types for the NINA-W15 modules are provided in Table 22 and detailed information about the reel types are described in u-blox Package Information Guide [2].

Model	Reel Type
NINA-W151	B
NINA-W152	A

Table 22: Reel types for different models of the NINA-W15 series

#### 8.1.2 Tapes

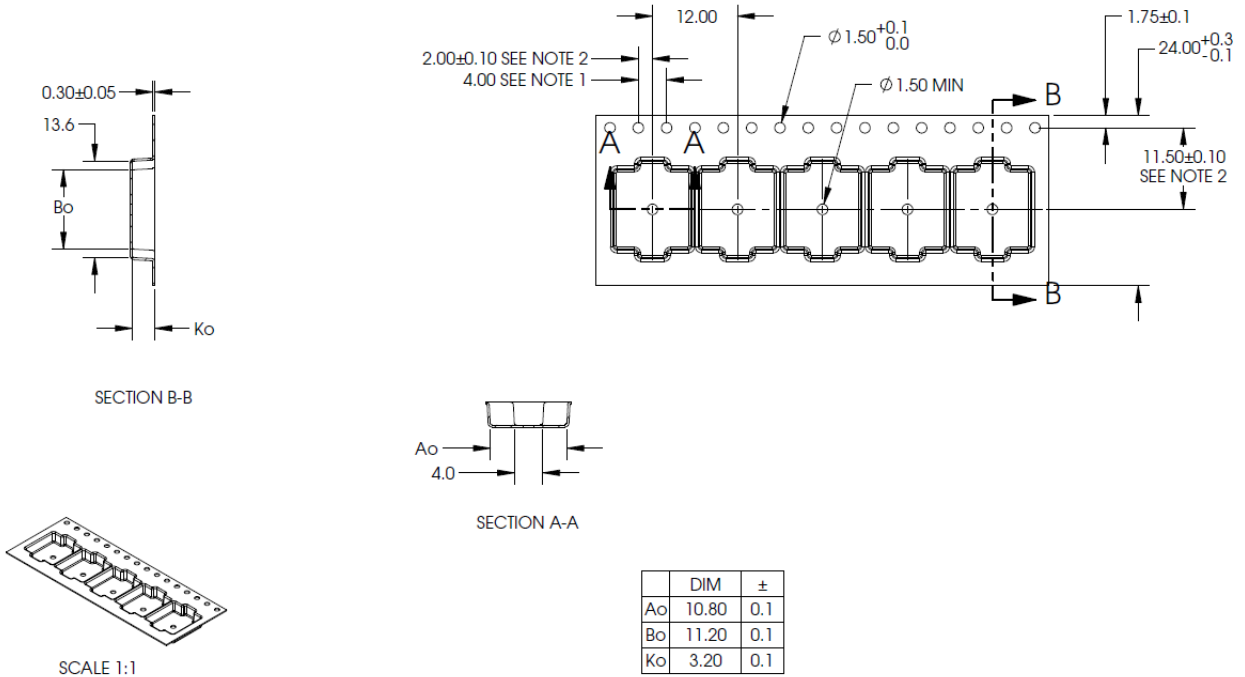
Figure 9 and Figure 10 shows the position and orientation of the NINA-W15 modules as they are delivered on tape. The dimensions of the tapes are specified in Figure 11 and Figure 12.



Figure 9: Orientation of NINA-W151 module on tape

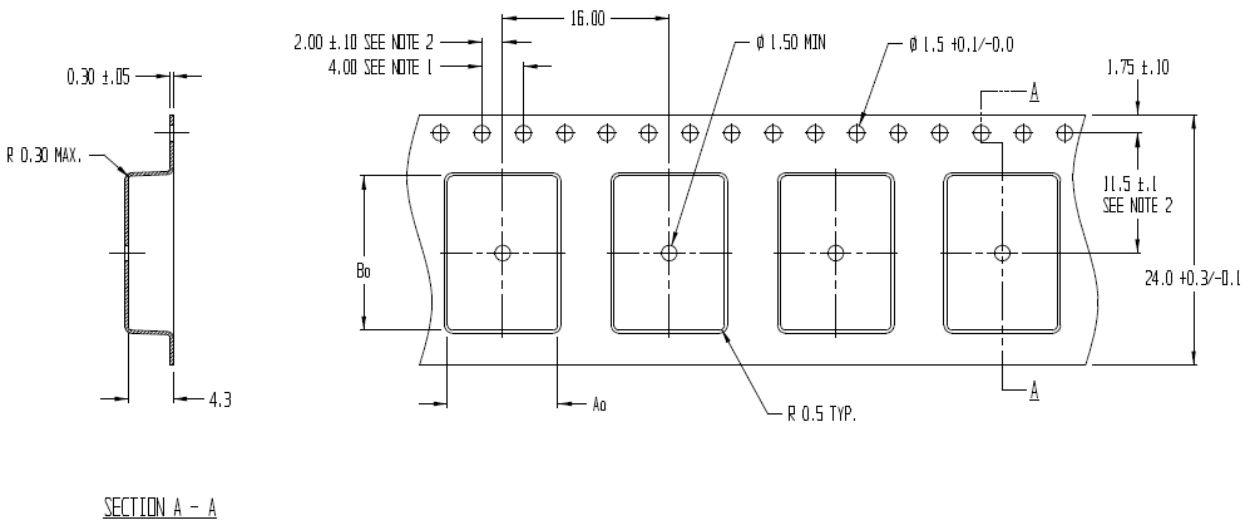


Figure 10: Orientation of NINA-W152 module on tape



- NOTES:
1. 10 SPROCKET HOLE PITCH CUMULATIVE TOLERANCE  $\pm 0.2$
  2. POCKET POSITION RELATIVE TO SPROCKET HOLE MEASURED AS TRUE POSITION OF POCKET, NOT POCKET HOLE.
  3. Ao AND Bo ARE MEASURED ON A PLANE AT A DISTANCE "R" ABOVE THE BOTTOM OF THE POCKET.

Figure 11: NINA-W151 tape dimension



Ao = 10.6  
Bo = 14.8  
Ko = 4.3


- NOTES:
1. 10 SPROCKET HOLE PITCH CUMULATIVE TOLERANCE  $\pm 0.2$
  2. POCKET POSITION RELATIVE TO SPROCKET HOLE MEASURED AS TRUE POSITION OF POCKET, NOT POCKET HOLE
  3. Ao AND Bo ARE CALCULATED ON A PLANE AT A DISTANCE "R" ABOVE THE BOTTOM OF THE POCKET.

Figure 12: NINA-W152 tape dimension

## 8.2 Moisture sensitivity levels

-  **The NINA-W15 series modules are Moisture Sensitive Devices (MSD) in accordance with the IPC/JEDEC specification.**

The Moisture Sensitivity Level (MSL) relates to the required packaging and handling precautions. The NINA-W15 series modules are rated at MSL level 4. For more information regarding moisture sensitivity levels, labeling and storage, see the u-blox Package Information Guide [2].


-  For MSL standards, see IPC/JEDEC J-STD-020, which can be downloaded from [www.jedec.org](http://www.jedec.org).

## 8.3 Reflow soldering

Reflow profiles are to be selected according to u-blox recommendations. See NINA-W1 series System Integration Manual [1] for more information.

-  **Failure to observe these recommendations can result in severe damage to the device.**

## 8.4 ESD precautions

-  **The NINA-W15 series modules contain highly sensitive electronic circuitry and are Electrostatic Sensitive Devices (ESD). Handling the NINA-W15 series modules without proper ESD protection may destroy or damage them permanently.**

The NINA-W15 series modules are electrostatic sensitive devices (ESD) and require special ESD precautions typically applied to ESD sensitive components. Section 4.1.1 provides the maximum ESD ratings of the NINA-W15 series modules.

Proper ESD handling and packaging procedures must be applied throughout the processing, handling and operation of any application that incorporates the NINA-W15 series module. The ESD precautions should be implemented on the application board where the module is mounted as described in the NINA-W1 series System Integration Manual [1].

-  **Failure to observe these recommendations can result in severe damage to the device.**

## 9 Labeling and ordering information

### 9.1 Product labeling

The labels (7.5x7.5mm) of the NINA-W15 series modules include important product information as described in this section.

Figure 8 illustrates the label of all the NINA-W15 series modules, which includes product type number and revision, production date, Data Matrix with unique serial number (MAC address) and the u-blox logo.



Figure 13: Location of product type number on the NINA-W15 series module label

Reference	Description
1	Date of unit production encoded YY/WW (year, week)
2	Major and minor product version info
3	Product model name (NINA-W151 or NINA-W152)
4	Data Matrix with unique serial number of 19 alphanumeric symbols. The first 3 symbols represent the unique module type number: TBD: NINA-W151 TBD: NINA-W152 The next 12 symbols represent the unique hexadecimal Wi-Fi MAC address of the module AABBCDDEEFF, and the last 4 symbols represent the hardware and software version encoded HHFF. See section 1.8 for more information about MAC addresses.
5	u-blox logo. The red dot is also indicating pin no 1.

Table 23: NINA-W15 series label description

## 9.2 Explanation of codes

Three different product code formats are used. The **Product Name** is used in documentation such as this data sheet and identifies all u-blox products, independent of packaging and quality grade. The **Ordering Code** includes options and quality, while the **Type Number** includes the hardware and software versions. Table 24 below details these three different formats:

Format	Structure
Product Name	PPPP-TGVV
Ordering Code	PPPP -TGVV-TTQ
Type Number	PPPP -TGVV-TTQ-XX

**Table 24: Product code formats**

Table 25 explains the parts of the product code.

Code	Meaning	Example
PPPP	Form factor	NINA
TG	Platform (Technology and Generation) T – Dominant technology, For example, W: Wi-Fi, B: Bluetooth G - Generation	W1: Wi-Fi Generation 1
VV	Variant based on the same platform; range [00...99]	51: u-blox connectivity software product with antenna pin
TT	Major Product Version	00: first revision
Q	Quality grade <ul style="list-style-type: none"> <li>• A: Automotive</li> <li>• B: Professional</li> <li>• C: Standard</li> </ul>	B: professional grade
XX	Minor product version (not relevant for certification)	Default value is 00

**Table 25: Part identification code**

## 9.3 Ordering information

Ordering Code	Product
NINA-W151-00B-00	Wi-Fi IEEE802.11b/g/n module with antenna pin. With u-blox connectivity software including secure boot.
NINA-W152-00B-00	Wi-Fi IEEE802.11b/g/n module with internal onboard antenna. With u-blox connectivity software including secure boot.

**Table 26: Product ordering codes**

# Appendix

## A Glossary

Abbreviation	Definition
ADC	Analog to Digital Converter
BLE	Bluetooth Low Energy
BPF	Band Pass Filter
BT	Bluetooth
CTS	Clear To Send
DAC	Digital to Analog Converter
DC	Direct Current
DSR	Data Set Ready
DTR	Data Terminal Ready
ESD	Electro Static Discharge
FCC	Federal Communications Commission
GND	Ground
GPIO	General Purpose Input/Output
I	Input (means that this is an input port of the module)
IC	Inter-Integrated Circuit
IC	Industry Canada
IEEE	Institute of Electrical and Electronics Engineers
IoT	Internet of Things
L	Low
LPO	Low Power Oscillator
MCU	Micro Controller Unit
MDIO	Management Data Input / Output
MII	Media-Independent Interface
MRD	Market Requirement Document
MSD	Moisture Sensitive Device
N/A	Not Applicable
O	Output (means that this is an output port of the module)
PCN	Product Change Notification
PD	Pull-Down
PU	Pull-Up
QSPI	Quad Serial Peripheral Interface
RMII	Reduced Media Independent Interface
RTS	Request To Send
RXD	Receive Data
SDIO	Secure Digital Input Output
SDK	Software Development Kit
SPI	Serial Peripheral Interface
TBD	To Be Defined
TXD	Transmit Data
UART	Universal Asynchronous Receiver/Transmitter

**Table 27: Explanation of abbreviations used**



## Related documents

- [1] NINA-W1 Series System Integration Manual, document number UBX-17005730
- [2] u-blox Package Information Guide, document number UBX-14001652
- [3] u-blox Short Range AT Commands Manual, document number UBX-14044127
- [4] NINA-W15 Declaration of Conformity



For regular updates to u-blox documentation and to receive product change notifications, register on our homepage (<http://www.u-blox.com>).

# Contact

For complete contact information visit us at [www.u-blox.com](http://www.u-blox.com).

## u-blox Offices

### North, Central and South America

#### u-blox America, Inc.

Phone: +1 703 483 3180  
E-mail: [info\\_us@u-blox.com](mailto:info_us@u-blox.com)

#### Regional Office West Coast:

Phone: +1 408 573 3640  
E-mail: [info\\_us@u-blox.com](mailto:info_us@u-blox.com)

#### Technical Support:

Phone: +1 703 483 3185  
E-mail: [support\\_us@u-blox.com](mailto:support_us@u-blox.com)

### Headquarters Europe, Middle East, Africa

#### u-blox AG

Phone: +41 44 722 74 44  
E-mail: [info@u-blox.com](mailto:info@u-blox.com)  
Support: [support@u-blox.com](mailto:support@u-blox.com)

### Asia, Australia, Pacific

#### u-blox Singapore Pte. Ltd.

Phone: +65 6734 3811  
E-mail: [info\\_ap@u-blox.com](mailto:info_ap@u-blox.com)  
Support: [support\\_ap@u-blox.com](mailto:support_ap@u-blox.com)

#### Regional Office Australia:

Phone: +61 2 8448 2016  
E-mail: [info\\_au@u-blox.com](mailto:info_au@u-blox.com)  
Support: [support\\_ap@u-blox.com](mailto:support_ap@u-blox.com)

#### Regional Office China (Beijing):

Phone: +86 10 68 133 545  
E-mail: [info\\_cn@u-blox.com](mailto:info_cn@u-blox.com)  
Support: [support\\_cn@u-blox.com](mailto:support_cn@u-blox.com)

#### Regional Office China (Chongqing):

Phone: +86 23 6815 1588  
E-mail: [info\\_cn@u-blox.com](mailto:info_cn@u-blox.com)  
Support: [support\\_cn@u-blox.com](mailto:support_cn@u-blox.com)

#### Regional Office China (Shanghai):

Phone: +86 21 6090 4832  
E-mail: [info\\_cn@u-blox.com](mailto:info_cn@u-blox.com)  
Support: [support\\_cn@u-blox.com](mailto:support_cn@u-blox.com)

#### Regional Office China (Shenzhen):

Phone: +86 755 8627 1083  
E-mail: [info\\_cn@u-blox.com](mailto:info_cn@u-blox.com)  
Support: [support\\_cn@u-blox.com](mailto:support_cn@u-blox.com)

#### Regional Office India:

Phone: +91 80 4050 9200  
E-mail: [info\\_in@u-blox.com](mailto:info_in@u-blox.com)  
Support: [support\\_in@u-blox.com](mailto:support_in@u-blox.com)

#### Regional Office Japan (Osaka):

Phone: +81 6 6941 3660  
E-mail: [info\\_jp@u-blox.com](mailto:info_jp@u-blox.com)  
Support: [support\\_jp@u-blox.com](mailto:support_jp@u-blox.com)

#### Regional Office Japan (Tokyo):

Phone: +81 3 5775 3850  
E-mail: [info\\_jp@u-blox.com](mailto:info_jp@u-blox.com)  
Support: [support\\_jp@u-blox.com](mailto:support_jp@u-blox.com)

#### Regional Office Korea:

Phone: +82 2 542 0861  
E-mail: [info\\_kr@u-blox.com](mailto:info_kr@u-blox.com)  
Support: [support\\_kr@u-blox.com](mailto:support_kr@u-blox.com)

#### Regional Office Taiwan:

Phone: +886 2 2657 1090  
E-mail: [info\\_tw@u-blox.com](mailto:info_tw@u-blox.com)  
Support: [support\\_tw@u-blox.com](mailto:support_tw@u-blox.com)